

DAILY REFERENCE GUIDE



THANK YOU FOR BUYING A HOTPOINT ARISTON PRODUCT.
In order to receive a more complete assistance, please register your appliance on: www.hotpoint.eu/register

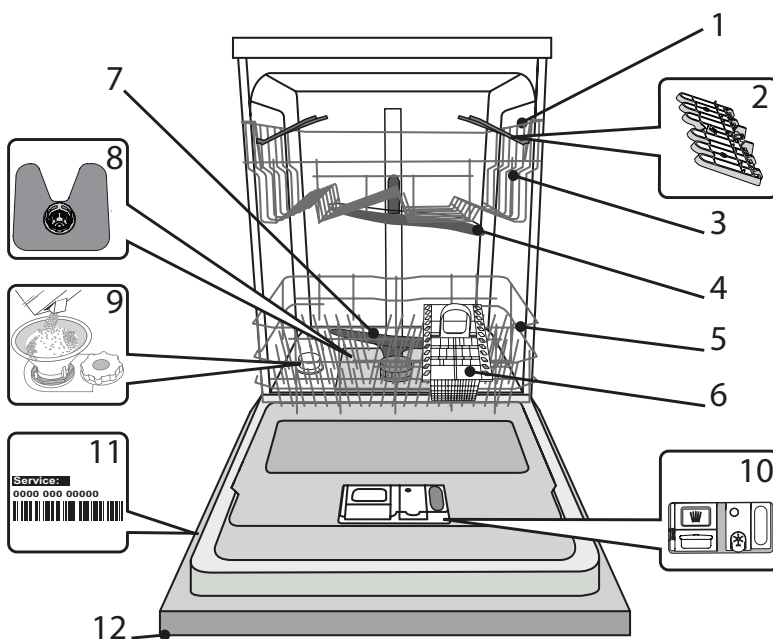
PLEASE SCAN THE QR CODE ON YOUR APPLIANCE IN ORDER TO HAVE MORE DETAILED INFORMATION



Before using the appliance carefully read Safety Instructions.

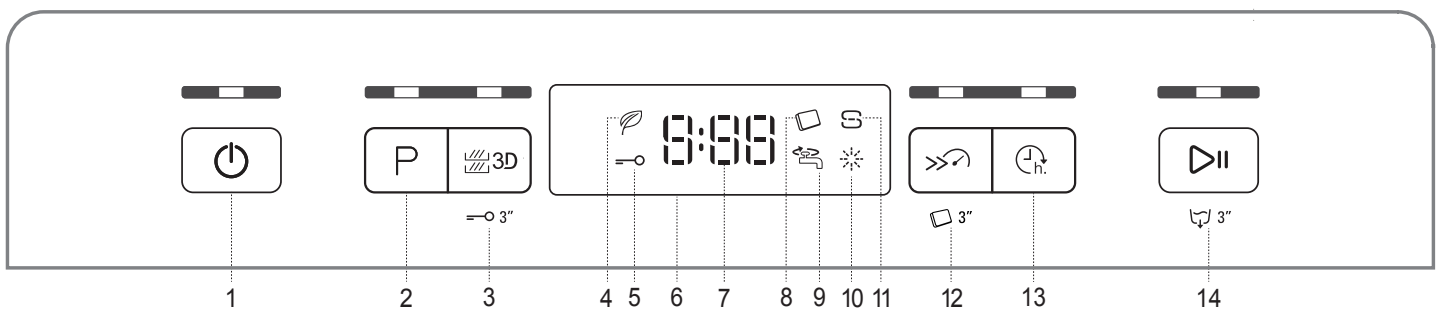
PRODUCT DESCRIPTION

APPLIANCE



1. Upper rack
2. Foldable flaps
3. Upper rack height adjuster
4. Upper spray arm
5. Lower rack
6. Cutlery basket
7. Lower spray arm
8. Filter Assembly
9. Salt reservoir
10. Detergent and Rinse Aid dispensers
11. Rating plate
12. Control panel

CONTROL PANEL



1. On-Off / Reset button with indicator light
2. Program selection button with indicator light
3. Zone Wash 3D button with indicator light / Keylock
4. Eco program indicator light
5. Keylock indicator light
6. Display
7. Program number and remaining time indicator
8. Tablet (Tab) indicator light
9. Closed water tap indicator light
10. Rinse Aid refill indicator light
11. Salt refill indicator light
12. Short Time button with indicator light / Tablet (Tab)
13. Delay button with indicator light
14. Start/Pause button with indicator light / Drain out

Hotpoint

ARISTON

FIRST TIME USE

SALT, RINSE AID AND DETERGENT


ADVICE REGARDING THE FIRST TIME USE

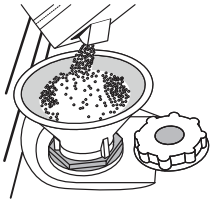
After installation, remove the stoppers from the racks and the retaining elastic elements from the upper rack.

FILLING THE SALT RESERVOIR

The use of salt prevents the formation of LIMESCALE on the dishes and on the machine's functional components.

- It is mandatory that **THE SALT RESERVOIR BE NEVER EMPTY.**
- It is important to set the water hardness.

The salt reservoir is located in the lower part of the dishwasher (see *PRODUCT DESCRIPTION*) and must be filled when the **SALT REFILL indicator light**  in the control panel is lit.



1. Remove the lower rack and unscrew the reservoir cap (anticlockwise).
2. **Only the first time you do this: fill the salt reservoir with water.**
3. Position the funnel (see figure) and fill the salt reservoir right up to its edge (approximately 1 kg); it is not unusual for a little water to leak out.
4. Remove the funnel and wipe any salt residue away from the opening.

Make sure the cap is screwed on tightly, so that no detergent can get into the container during the wash program (this could damage the water softener beyond repair).

Whenever you need to add salt, it is mandatory to complete the procedure before the beginning of the washing cycle to avoid corrosion.

SETTING THE WATER HARDNESS

To allow the water softener to work in a perfect way, it is essential that the water hardness setting is based on the actual water hardness in your house. This information can be obtained from your local water supplier. The factory sets the default value for the water hardness

- Switch on the appliance by pressing the **ON/OFF** button.
- Switch off the appliance by pressing the **ON/OFF** button.
- Hold down button **START/Pause** for 5 seconds, until you hear a beep.
- Switch on the appliance by pressing the **ON/OFF** button.
- The current selection level number and the salt indicator light both flash.
- Press button **P** to select the desired hardness level (see *WATER HARDNESS TABLE*).

Water Hardness Table				
Level		°dH German degrees	°fH French degrees	°Clark English degrees
1	Soft	0 - 6	0 - 10	0 - 7
2	Medium	7 - 11	11 - 20	8 - 14
3	Average	12 - 16	21 - 29	15 - 20
4	Hard	17 - 34	30 - 60	21 - 42
5	Very hard	35 - 50	61 - 90	43 - 62

- Switch off the appliance by pressing the **ON/OFF** button.

Setting is complete!

As soon as this procedure is complete, run a program without loading.

Only use salt that has been specifically designed for dishwashers.

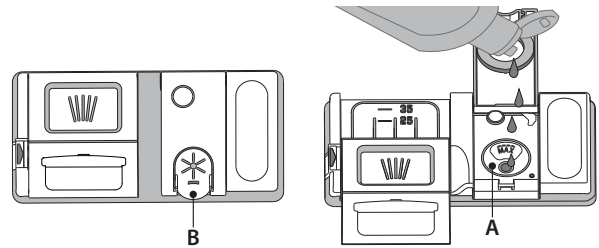
After the salt has been poured into the machine, the SALT REFILL indicator light switches off.

If the salt container is not filled, the water softener and the heating element may be damaged as a result of limescale accumulation.

Using of Salt is recommended with any type of dishwasher detergent.

FILLING THE RINSE AID DISPENSER

Rinse aid makes dish DRYING easier. The rinse aid dispenser **A** should be filled when the **RINSE AID REFILL**  indicator light in the control panel is lit.



1. Open the dispenser **B** by pressing and pulling up the tab on the lid.
 2. Pour in the rinse aid (max.110 ml), making sure it does not overflow from the dispenser. If this happens, clean the spill immediately with a dry cloth.
 3. Press the lid down until you hear a click to close it.
- NEVER pour the rinse aid directly into the appliance tub.**

ADJUSTING THE DOSAGE OF RINSE AID

If you are not completely satisfied with the drying results, you can adjust the quantity of rinse aid used.

- Switch the dishwasher on using the **ON/OFF** button.
- Switch it off using the **ON/OFF** button.
- Press button **START/Pause** three times - a beep will be heard.
- Switch it on using the **ON/OFF** button.
- The current selection level number and rinse aid indicator light flash.
- Press button **P** to select the level of rinse aid quantity to be supplied.
- Switch it off using the **ON/OFF** button

Setting is complete!

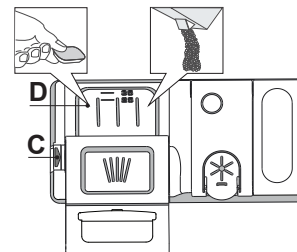
If the rinse aid level is set to 1, no rinse aid will be supplied.

The LOW RINSE AID indicator light will not be lit if you run out of rinse aid. A maximum of 5 levels can be set according to the dishwasher model. The factory setting is specific to the model, please follow instruction above to check this for your machine.

- If you see bluish streaks on the dishes, set a low number (2-3).
- If there are drops of water or limescale marks on the dishes, set a mid-range number (4-5).

FILLING THE DETERGENT DISPENSER

To open the detergent dispenser use the opening device C. Introduce the detergent into the dry dispenser D only. Place the amount of detergent for pre-washing directly inside the tub.







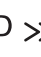




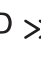














1. When measuring out the detergent refer to the mentioned earlier information to add the proper quantity. Inside the dispenser **D** there are indications to help the detergent dosing.
2. Remove detergent residues from the edges of the dispenser and close the cover until it clicks.
3. Close the lid of the detergent dispenser by pulling it up until the closing device is secured in place.

The detergent dispenser automatically opens up at the right time according to the program.

If all-in-one detergents are used, we recommend using the **TABLET** button, because it adjusts the program so that the best washing and drying results are always achieved.

Usage of detergent not designed for dishwashers may cause malfunction or damage to the appliance.

PROGRAMS TABLE

Program	Drying phase	ActiveDry	Available options *)	Duration of wash program (h:min)**	Water consumption (litres/cycle)	Energy consumption (kWh/cycle)
1. Eco ECO 50°	✓	✓	 	3:10	9.5	0.85
2. Auto Intensive  65°	✓	✓	   	2:00 - 3:10	14.0 - 17.0	1.50 - 1.85
3. Auto Mixed  55°	✓	✓	   	1:30 - 2:30	14.5 - 16.0	1.15 - 1.30
4. Auto Fast Wash  50°	-	-	 	0:55 - 1:20	13.0 - 14.5	1.15 - 1.25
5. Rapid 30'  50°	-	-	  	0:30	9.0	0.50
6. Sanitizing  65°	✓	-		1:40	10.0	1.30
7. Soak  -	-	-	 	0:12	4.5	0.01

ECO program data is measured under laboratory conditions according to European Standard EN 60436:2020.

Note for Test Laboratories:

For information on comparative EN testing conditions, please send an email to the following address: dw_test_support@europeanappliances.com

Pre-treatment of the dishes is not needed before any of the programs.

*) Not all options can be used simultaneously.

**) Values given for programs other than the program Eco are indicative only. The actual time may vary depending on many factors such as temperature and pressure of the incoming water, room temperature, amount of detergent, quantity and type of load, load balancing, additional selected options and sensor calibration. The sensor calibration can increase program duration up to 20 min.

PROGRAMS DESCRIPTION

Instructions on wash cycle selection.

1 ECO

Eco programme is suitable to clean normally soiled tableware, that for this use, it is the most efficient programme in terms of its combined energy and water consumption, and that it is used to assess compliance with the EU Ecodesign legislation.

2 AUTO INTENSIVE

Automatic program for heavily soiled dishes and pans (not to be used for delicate items).

3 AUTO MIXED

Automatic program for normally soiled pans and dishes.

4 AUTO FAST WASH

Automatic program for limited quantity of normally soiled crockery. Ensures optimal cleaning performance in shorter time.

5 RAPID 30'

Program to be used for half load of lightly-soiled dishes with no dried food residues. Does not have drying phase.

6 SANITIZING

Normally or heavily soiled crockery, with additional antibacterial wash. Can be used to perform maintenance of the dishwasher.

7 SOAK

Use to refresh crockery planned to be washed later. No detergent to be used with this program.

Notes:

Please note that cycle *Rapid 30'* is dedicated for lightly soiled dishes.

OPTIONS AND FUNCTIONS

OPTIONS can be selected directly by pressing the corresponding button (see CONTROL PANEL).

If an option is not compatible with the selected program see PROGRAMS TABLE, the corresponding LED flashes rapidly 3 times and beeps will sound. The option will not be enabled.

3D ZONE WASH 3D


Option works with one rack at once. In particular, we recommend to use it with Mixed and Intensive cycles - thanks to the additional 3D water jets placed on the bottom of the cavity, ZONE WASH 3D option allows to save energy or to increase the washing performance of the dishwasher:

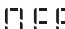
- ZONE WASH 3D + MIXED CYCLE: it allows to reduce energy consumption up to 40%.
- ZONE WASH 3D + INTENSIVE CYCLE: it increases the washing performances up to 40%. Ideal for very soiled mixed loads, e.g. pans and saucepans, dishes with heavy encrustation or difficult-to-clean crockery (grater, vegetable mill, dirty cutlery).

How to activate the option:

1. Select a compatible cycle
2. By default the appliance washes dishes in all racks. To wash only the specific rack, press this button repeatedly:

 shown on the display (only lower rack)

 shown on the display (only upper rack)

 shown on the display (option is OFF and the appliance will wash dishes in all racks).

Remember to load the upper or lower rack only, and to reduce the amount of detergent accordingly.

If upper rack is removed, please apply detergent directly to tub instead of detergent dispenser.

KEYLOCK

A long press (for 3 seconds) of ZONE WASH 3D button, will activate the KEYLOCK function. The KEYLOCK function will block the control panel except the ON/OFF button. To deactivate the KEYLOCK, long press again.

WATER TAP CLOSED – Alarm

Flashes when there is no inlet water or water tap is closed.

SHORT TIME

This option can be used to reduce the duration of the main programs while maintaining the same washing and drying performance levels.

After selecting the program, press the SHORT TIME button and the indicator light will switch on. To deselect the option, press the same button again.

TABLET (Tab)

This setting allows you to optimize the performance of the program according to the type of detergent used.

A long press (for 3 seconds) of the SHORT TIME button (the corresponding symbol will light up), will activate the function if you use combined detergents in tablet form (rinse aid, salt and detergent in 1 dose).

If you use powder or liquid detergent, this option should be off.

DELAY

The start of the program may be delayed for a period of time between 0:30 and 24 hours.

1. Select the program and any desired options. Press the DELAY button (repeatedly) to delay the start of the program. Adjustable from 0:30 to 24 hours. With each press of the button, the delay start increases by: 0:30 if selection below 4 hours, 1:00 if selection is below 12 hours, 4 hours if selection is above 12 hours. If 24 hours reached, and the button is pressed, the delayed start is deactivated.
2. Press the START/PAUSE button: the timer will begin counting down;
3. Once this time has elapsed, the indicator light switches off and the program begins automatically.

If at the time of the countdown the START/PAUSE button is pressed again the DELAY option is cancelled and the selected program starts automatically.

The DELAY function cannot be set once a program has been started.

DRAIN OUT

To stop and cancel the active cycle, the Drain Out function can be used.

A long press of START/PAUSE button, will activate the DRAIN OUT function. The active program will be stopped and the water in the dishwasher will be drained out.

ActiveDry

ActiveDry is a convection drying system which automatically opens the door during/after drying phase to ensure exceptional drying performance every day. Door opens at the temperature that is safe to your kitchen furniture, thus door will not be opened when the option of SHORT TIME is on.

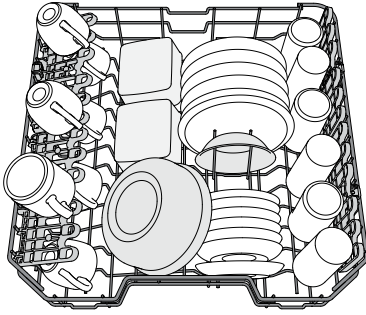
As additional steam protection, special designed protection foil is added together with the dishwasher (depending on the model type - can be the need to buy it). To see how to mount protection foil please refer to (INSTALLATION GUIDE).

ActiveDry functionality could be disabled by the user as follows:

- To DISABLE: Switch On, then switch Off. Keep the **P** button pressed for 5 sec., at the end of 5 sec the dishwasher plays a short beep. Switch On the machine, the display shows „oOF“.
- To ENABLE: Switch On, then switch Off the machine. Keep the **P** button pressed for 5 sec., at the end of 5 sec the dishwasher plays a short beep. Switch On the machine, the display shows „oOn“.

LOADING THE RACKS

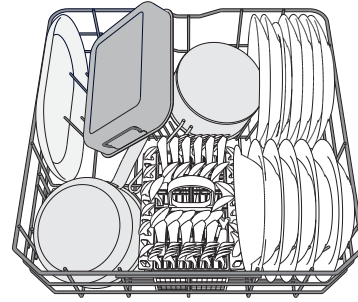
UPPER RACK



(loading example for the upper rack)

Load delicate and light dishes: glasses, cups, saucers, low salad bowls.

LOWER RACK



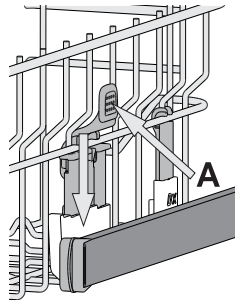
(loading example for the lower rack)

For pots, lids, plates, salad bowls, cutlery etc. Large plates and lids should ideally be placed at the sides to avoid interferences with the spray arm.

ADJUSTING THE HEIGHT OF THE UPPER RACK

The height of the upper rack can be adjusted: high position to place bulky crockery in the lower basket and low position to make the most of the tip-up supports by creating more space upwards and avoid collision with the items loaded into lower rack.

The upper rack is equipped with a **Upper Rack height adjuster** (see figure), without pressing the levers, lift it up by simply holding the rack sides, as soon as the rack is stable in its upper position. To restore to the lower position, press the levers **A** at the sides of the rack and move the basket downwards.



We strongly recommend that you do not adjust the height of the rack when it is loaded.

NEVER raise or lower the basket on one side only.

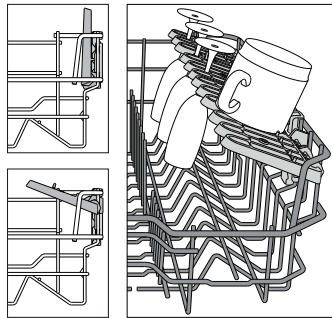
FOLDABLE FLAPS WITH ADJUSTABLE POSITION

The side foldable flaps can be fold or unfold to optimize the arrangement of crockery inside the rack.

Wine glasses can be placed safely in the foldable flaps by inserting the stem of each glass into the corresponding slots.

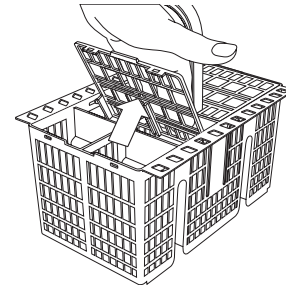
Depending on the model:

- to unfold the flaps there is needed to slide it up and rotate or release it from the snaps and pull it down.
- to fold the flaps there is needed to rotate it and slide flaps down or pull it up and attach flaps to the snaps.



CUTLERY BASKET

The basket is equipped with top grilles for improved cutlery arrangement. The cutlery basket should be positioned only at the front of the lower rack.

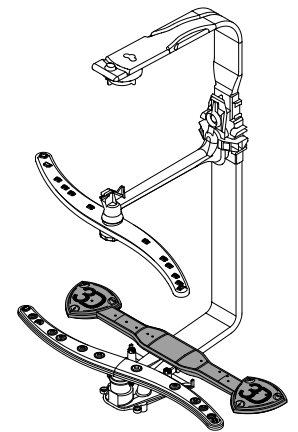


Knives and other utensils with sharp edges must be placed in the cutlery basket with the points facing downwards or they must be positioned horizontally in the tip-up compartments on the upper rack.

ZONE WASH 3D

Zone Wash 3D uses additional water jets located both: in the lower and upper part of the dishwasher (marked with orange color) to wash more intensively heavily soiled items by increasing water coverage on dishes.

Example: Load pots and casseroles facing lower part of Zone Wash 3D components and activate the Zone Wash 3D option on the panel.



DAILY USE

1. CHECK WATER CONNECTION

Check that the dishwasher is connected to the water supply and that the tap is open.

2. SWITCH ON THE DISHWASHER

Press the **ON/OFF** button.

3. LOAD THE RACKS

(see *LOADING THE RACKS*).

4. FILLING THE DETERGENT DISPENSER

5. CHOOSE THE PROGRAM AND CUSTOMISE THE CYCLE

Select the most appropriate program in accordance with the type of crockery and its soiling level (see *PROGRAMS DESCRIPTION*) by pressing the **P** button.

Select the desired options (see *OPTIONS AND FUNCTIONS*).

6. START

Start the wash cycle by pressing the **START/Pause** button. When the program starts you hear a beep.

7. END OF WASH CYCLE

The end of the wash cycle is indicated by beeps and the display shows **End**. Open the door and switch off the appliance by pressing the **ON/OFF** button.

Wait for a few minutes before removing the crockery - to avoid burns. Unload the racks, beginning with the lower one.

The machine will switch off automatically during certain extended periods of inactivity, in order to minimise electricity consumption. If the crockery is only lightly soiled or if it has been rinsed with water before being placed in the dishwasher, reduce the amount of detergent used accordingly.

MODIFYING A RUNNING PROGRAM

If a wrong program was selected, it is possible to change it, provided that it has only just begun: press and hold the **ON/OFF** button, the machine will switch off. Switch the machine back on using the **ON/OFF** button and select the new wash cycle and any desired options; start the cycle by pressing the **START/PAUSE** button.

ADDING EXTRA CROCKERY

Without switching off the machine, open the door (**be ware of HOT steam!**) and place the crockery inside the dishwasher. Close the door and press the **START/Pause** button the cycle will begin from the point at which it was interrupted.

ACCIDENTAL INTERRUPTIONS

If the door is opened during the wash cycle, or if there is a power cut, the cycle stops. Once the door has been closed or the electricity supply is restored, to start again the cycle from where it was interrupted, press the **START/Pause** button.

To disable the **DEMO MODE** the following actions must be carried out in sequence, without breaks. Switch the machine ON and then switch it OFF again. Press the **DELAY** button until the buzzer is heard. Switch the machine on again. The “**dOF**” indicator flashes and then turns OFF.

ADVICE AND TIPS

TIPS

Before loading the baskets, remove all food residues from the crockery and empty the glasses. You do not need to rinse beforehand under running water.

Arrange the crockery so that it is held in place firmly and does not tip over; and arrange the containers with the openings facing downwards and the concave/convex parts placed obliquely, thus allowing the water to reach every surface and flow freely.

Warning: lids, handles, trays and frying pans do not prevent the sprayer arms from rotating.

Place any small items in the cutlery basket.

Very soiled dishes and pans should be placed in the lower basket because in this sector the water sprays are stronger and allow a higher washing performance.

After loading the appliance, make sure that the sprayer arms can rotate freely.

UNSUITABLE CROCKERY

- Wooden crockery and cutlery.
- Delicate decorated glasses, artistic handicraft and antique crockery. Their decorations are not resistant.
- Parts in synthetic material which do not withstand high temperatures.
- Copper and tin crockery.
- Crockery soiled with ash, wax, lubricating grease or ink.

The colours of glass decorations and aluminium/silver pieces can change and fade during the washing process. Some types of glass (e.g. crystal objects) can become opaque after a number of wash cycles too.

DAMAGE TO GLASS AND CROCKERY

- Only use glasses and porcelain guaranteed by the manufacturer as dishwasher safe.
- Use a delicate detergent suitable for crockery
- Collect glasses and cutlery from the dishwasher as soon as the wash cycle is over.

TIPS ON ENERGY SAVING

- When the household dishwasher is used according to the manufacturer's instructions, **washing tableware in a dishwasher usually consumes less energy and water than hand dishwashing.**
- In order to maximize dishwasher efficiency it is recommended to **initiate the wash cycle once dishwasher is fully loaded.** Loading the household dishwasher up to the capacity indicated by the manufacturer will contribute to energy and water savings. Information on correct loading of tableware can be found in *LOADING THE RACKS* chapter.
- In case of partial loading it is recommended to use dedicated wash options if available (Half load/ Zone Wash, Multizone), filling up only selected racks. Incorrect loading or overloading the dishwasher may increase resources usage (such as water, energy and time, as well as increase noise level), reducing cleaning and drying performance.
- Manual pre-rinsing of tableware items leads to increased water and energy consumption and is not recommended.

HYGIENE

To avoid odour and sediment which can be accumulated in the dishwasher please **run a high temperature program at least one a month.** Use a tea spoon of detergent and run it without the loading to clean your appliance.

CARE AND MAINTENANCE

CLEANING THE FILTER ASSEMBLY

Regularly clean the filter assembly so that the filters do not clog and that the waste water flows away correctly.

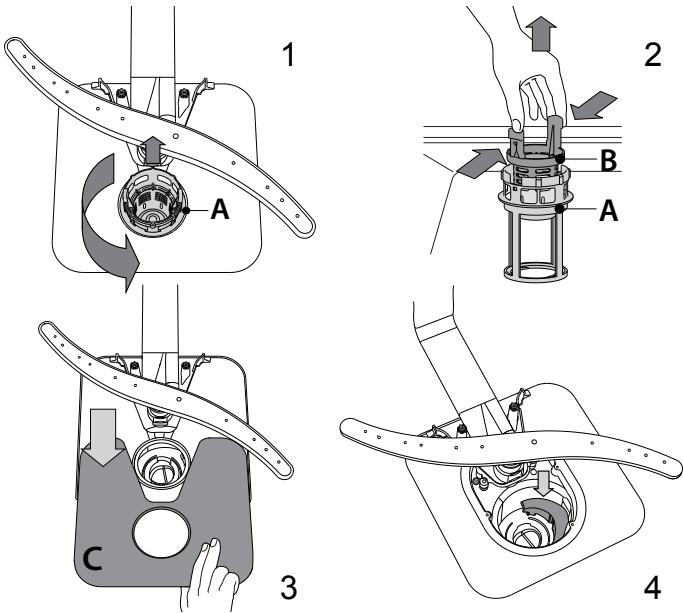
Using dishwasher with clogged filters or foreign objects inside filtration system or sprayarms may cause unit malfunction resulting in lose of performance, noisy work or higher resources usage.

The filter assembly consists of three filters which remove food residues from the washing water and then recirculate the water.

The dishwasher must not be used without filters or if the filter is loose.

At least once per month or after each 30 cycles, check the filter assembly and if necessary clean it thoroughly under running water, using a non-metallic brush and following the instructions below:

1. Turn the cylindrical filter **A** in an anti-clockwise direction and pull it out (Fig 1).
2. Remove the cup filter **B** by exerting a slight pressure on the side flaps (Fig 2).
3. Slide out the stainless-steel plate filter **C** (Fig 3).
4. In case you find foreign objects (such as broken glass, porcelain, bones, fruit seeds etc.) **please remove them carefully**.
5. Inspect the trap and remove any food residues. **NEVER REMOVE** the wash-cycle pump protection (black detail) (Fig 4).



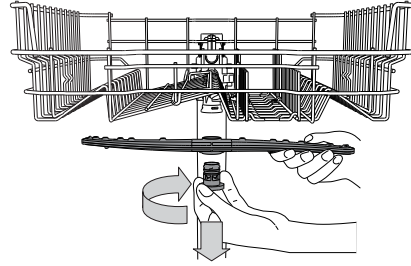
After cleaning the filters, re-place the filter assembly and fix it in position correctly; this is essential for maintaining the efficient operation of the dishwasher.

CLEANING THE WATER INLET HOSE

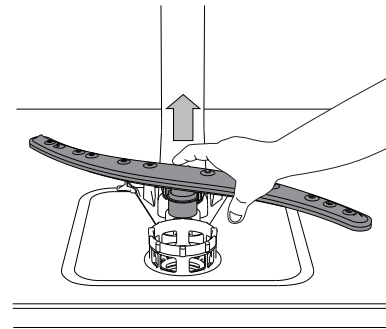
If the water hoses are new or have not been used for an extended period of time, let the water run to make sure it is clear and free of impurities before performing the necessary connections. If this precaution is not taken, the water inlet could become blocked and damage the dishwasher.

CLEANING THE SPRAY ARMS

On occasions, food residue may become encrusted onto the spray arms and block the holes used to spray the water. It is therefore recommended that you check the arms from time to time and clean them with a small non-metallic brush.



To remove the upper spray arm, turn the plastic locking ring in a clockwise direction. The upper spray arm should be replaced so that the side with the greater number of holes is facing upwards.



The lower spray arm may be removed by pulling it upwards.

WATER SOFTENING SYSTEM

Water softener automatically reduces water hardness, consequently preventing scale buildup on heater, contributing also to better cleaning efficiency.

This system regenerates itself with salt, therefore it is required to refill salt container when empty.



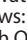
Frequency of regeneration depends on water hardness level setting - regeneration takes place once per **6** Eco cycles with water hardness level set to **3**.

Regeneration process starts in final rinse and finishes in drying phase, before cycle ends.

- Single regeneration consumes: ~3.5L of water;
- Takes up to 5 additional minutes for the cycle;
- Consumes below 0.005kWh of energy.

TROUBLESHOOTING

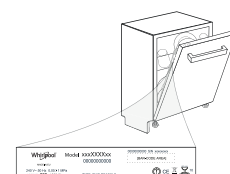
In case your dishwasher doesn't work properly, check if the problem can be solved by going through the following list. For other errors or issues please contact authorized After-sales Service which contact details can be found in the warranty booklet. Spare parts will be available for a period of either up to 7 or up to 10 years, according to the specific Regulation requirements.

PROBLEMS	POSSIBLE CAUSES	SOLUTIONS
 Salt indicator is lit	Salt reservoir is empty (after refill the salt indicator may remain lit for several wash cycles).	Refill reservoir with salt (for more information - see page 2). Adjust water hardness (see table, page 2).
 Rinse aid indicator is lit	Rinse aid dispenser is empty (after refill the rinse aid indicator may remain lit for several wash cycles).	Refill dispenser with rinse aid (for more information - see page 2).
The dishwasher won't start or does not respond to commands.	The appliance has not been plugged in properly.	Insert the plug into the socket.
	Power outage.	For safety reasons, dishwasher will not restart automatically when power returns. Press the START/Pause button to resume the cycle.
	The dishwasher door is not closed. <i>ActiveDry</i> pin is not pulled in.	Vigorously push the door until you hear the "click".
	Cycle is interrupted by door opening for > 4 sec. It does not respond to commands. Display shows: F9 or F12 and both On/Off and START/Pause LEDs are blinking rapidly.	Close the door and press START/Pause. Switch off the appliance by pressing the ON/OFF button, switch it back on after approximately one minute and restart the program. If problem persists, unplug the appliance for 1 minute, then plug it back in.
The dishwasher won't drain. Display shows: F3 and both On/Off and START/Pause LEDs are blinking rapidly.	The wash cycle has not finished yet.	Wait until the wash cycle finishes.
	The drain hose is bent.	Check that the drain hose is not bent (see <i>INSTALLATION INSTRUCTION</i>).
	The sink drain pipe is blocked.	Clean the sink drain pipe.
	The filter is clogged up with food residues.	Clean the filter (see <i>CLEANING THE FILTER ASSEMBLY</i>).
The dishwasher makes excessive noise.	The dishes are rattling against each other.	Position the crockery correctly (see <i>LOADING THE RACKS</i>).
	An excessive amount of foam has been produced.	The detergent has not been measured out correctly or it is not suitable for use in dishwashers (see <i>FILLING THE DETERGENT DISPENSER</i>). Restart dishwasher by pressing the DRAIN button (see <i>OPTIONS AND FUNCTIONS</i>) and run new program without detergent.
The dishes are not clean.	The crockery has not been arranged properly.	Arrange the crockery correctly (see <i>LOADING THE RACKS</i>).
	The spray arms cannot rotate freely, being hindered by the dishes.	Arrange the crockery correctly (see <i>LOADING THE RACKS</i>).
	The wash cycle is too gentle.	Select an appropriate wash cycle (see <i>PROGRAMS TABLE</i>).
	An excessive amount of foam has been produced.	The detergent has not been measured out correctly or it is not suitable for use in dishwashers (see <i>FILLING THE DETERGENT DISPENSER</i>).
	The cap on the rinse aid compartment has not been shut correctly.	Make sure the cap of the rinse aid dispenser is closed.
	The filter is soiled or clogged.	Clean the filter assembly (see <i>CARE AND MAINTENANCE</i>).
	There is no salt.	Fill the salt reservoir (see <i>FILLING THE SALT RESERVOIR</i>).
The dishwasher does not fill the water. Display shows:  and F6 , both On/Off and START/Pause LEDs are blinking rapidly.	No water in the water supply or the tap is closed.	Make sure there is water in the water supply or the tap running.
	The inlet hose is bent.	Make sure the inlet hose is not bent (see <i>INSTALLATION</i>) reprogram the dishwasher and reboot.
	The sieve in the water inlet hose is clogged; it is necessary to clean it.	After having carried out the verification and cleaning, turn off and turn on the dishwasher and restart a new program.
Dishwasher finishes the cycle prematurely. Display shows: F15 and both On/Off and START/Pause LEDs are blinking rapidly.	Drain hose positioned too low or siphoning into home sewage system.	Check if end of drain hose is placed at correct height (see <i>INSTALLATION</i>). Check for siphoning into home sewage system, install air admittance valve if necessary.
	Air in water supply.	Check water supply for leaks or other issues letting air inside.
Detergent leaks.	Depends on the liquid detergent used and can be emphasized in case of delay option is activated.	Small leaks will not cause machine malfunction and can be avoided by changing liquid detergent type or using tablets.

Policies, standard documentation, ordering of spare parts and additional product information can be found by:

- Using QR code on your product.
- Visiting our website docs.hotpoint.eu and parts-selfservice.europeanappliances.com
- Alternatively, **contact our After-sales Service** (See phone number in the warranty booklet).
When contacting our After-sales Service, please state the codes provided on your product's identification plate.

The model information can be retrieved using the QR-Code reported in the energy label. The label also includes the model identifier that can be used to consult the portal of the registry at <https://eprel.ec.europa.eu>.



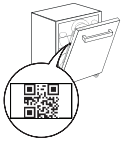
GUIDE D'UTILISATION QUOTIDIENNE

D'UTILISATION QUOTIDIENNE



MERCI D'AVOIR CHOISI UN PRODUIT HOTPOINT ARISTON.
Afin de recevoir une assistance plus complète, merci d'enregistrer votre appareil sur : www.hotpoint.eu/register

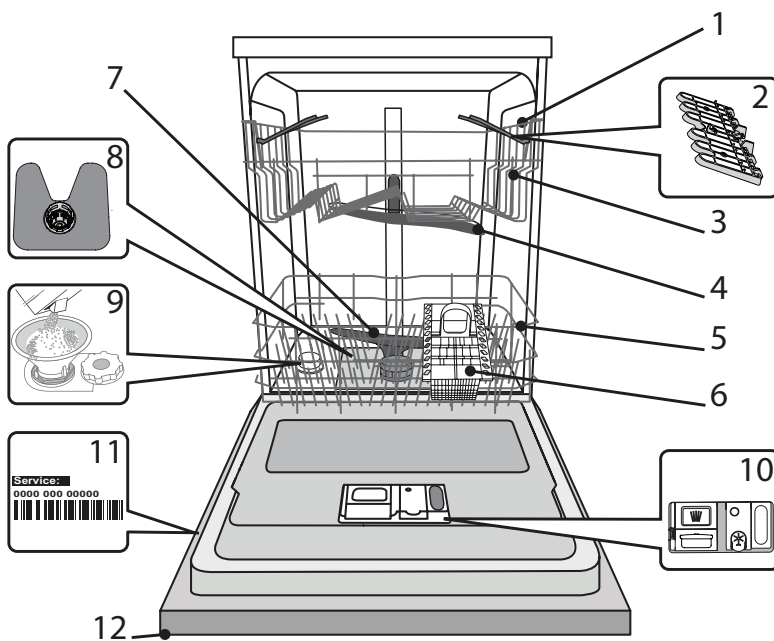
MERCI DE SCANNER LE QR CODE SUR VOTRE APPAREIL POUR OBTENIR DES INFORMATIONS PLUS DÉTAILLÉES.



Avant d'utiliser l'appareil, lisez attentivement les Consignes de sécurité.

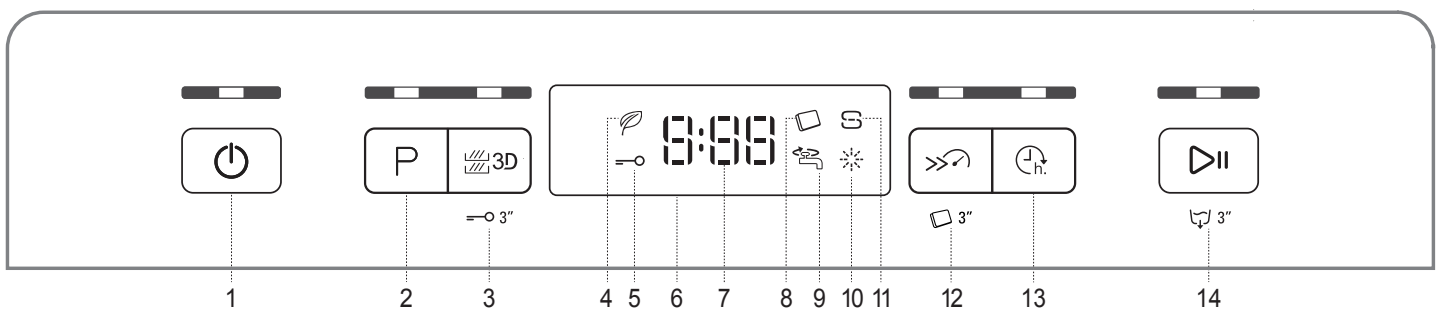
DESCRIPTION DU PRODUIT

APPAREIL



1. Panier supérieur
2. Volets pliables
3. Bouton de réglage de la hauteur du panier supérieur
4. Bras d'aspersion supérieur
5. Panier inférieur
6. Panier à couvert
7. Bras d'aspersion inférieur
8. Ensemble filtre
9. Réservoir à sel
10. Distributeurs de détergent et liquide de rinçage
11. Plaque signalétique
12. Panneau de commande

PANNEAU DE COMMANDE



1. Touche Marche-Arrêt/Réinitialisation avec le voyant
2. Touche Sélecteur de programme avec le voyant
3. Touche Zone Wash 3D avec le voyant / Verrou
4. Voyant programme Éco
5. Voyant Verrou
6. Affichage
7. Voyant pour le numéro du programme et le temps restant
8. Voyant Pastille
9. Voyant Robinet d'eau fermé
10. Voyant de niveau de liquide de rinçage
11. Voyant de niveau de sel
12. Touche Short Time avec le voyant / Pastille
13. Touche Différé avec le voyant
14. Touche Démarrer/Pause avec le voyant / Drainer

Hotpoint

ARISTON

PREMIÈRE UTILISATION

SEL, LIQUIDE DE RINÇAGE, ET DÉTERGENT


CONSEILS AU SUJET DE LA PREMIÈRE UTILISATION

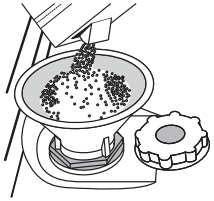
Après l'installation, enlevez les boulons d'arrêt sur les paniers et les éléments élastiques qui retiennent le panier supérieur.

REMPILIR LE RÉSERVOIR DE SEL

L'utilisation de sel empêche la formation de CALCAIRE sur la vaisselle et sur les composantes fonctionnelles de l'appareil.

- Le **RÉSERVOIR DE SEL NE DOIT JAMAIS ÊTRE VIDE.**
- Il est important de régler la dureté de l'eau.

Le réservoir de sel est situé dans la partie inférieure du lave-vaisselle (voir *DESCRIPTION DU PRODUIT*) et il doit être rempli quand le **voyant NIVEAU DE SEL**  est allumé sur le panneau de commande.



1. Enlevez le panier inférieur et dévissez le bouchon du réservoir (sens antihoraire).
2. **La première fois uniquement, vous devez effectuer l'opération suivante : Remplissez d'eau le réservoir à sel.**
3. Placez l'entonnoir (voir figure) et remplissez le réservoir de sel jusqu'au bord (environ 1 kg); il est normal qu'un peu d'eau déborde.
4. Enlevez l'entonnoir et essuyez les résidus de sel autour de l'ouverture.

Assurez-vous que le bouchon est bien serré pour éviter que du détergent pénètre dans le réservoir durant le cycle de lavage (le réservoir pourrait s'endommager au point de ne plus être réparable).

Après chaque ajout de sel dans le réservoir, il est obligatoire de lancer immédiatement un cycle de lavage afin d'éviter toute corrosion de la cuve.

RÉGLER LA DURETÉ DE L'EAU

Pour que l'installation d'adoucissement d'eau fonctionne parfaitement bien, il faut régler la dureté d'eau conformément à la dureté d'eau dont on dispose à la maison. Vous pouvez obtenir des informations nécessaires auprès de l'utilité publique qui assure la fourniture d'eau. L'usine règle la valeur par défaut de la dureté de l'eau.

- Allumer l'appareil en appuyant sur la touche **MARCHE/ARRÊT**.
- Éteindre l'appareil en appuyant sur la touche **MARCHE/ARRÊT**.
- Appuyer la touche **DÉMARRER/PAUSE** pendant 5 secondes, jusqu'à l'apparition du signal sonore.
- Allumer l'appareil en appuyant sur la touche **MARCHE/ARRÊT**.
- Le numéro de la sélection actuelle et le voyant de niveau de sel clignotent.
- Appuyer sur la touche **P** pour sélectionner le niveau de dureté désiré (voir *TABLEAU DE DURETÉ DE L'EAU*).

Level	°dH Degrés allemand	°fH Degrés français	°Clark Degrés anglais
1 Très douce	0 - 6	0 - 10	0 - 7
2 Moyenne	7 - 11	11 - 20	8 - 14
3 Douce	12 - 16	21 - 29	15 - 20
4 Dure	17 - 34	30 - 60	21 - 42
5 Très dure	35 - 50	61 - 90	43 - 62

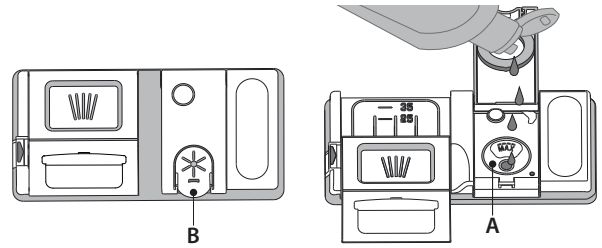
- Éteindre l'appareil en appuyant sur la touche **MARCHE/ARRÊT**. Le réglage est terminé ! Une fois cette opération complétée, lancez un programme sans charger la lave-vaisselle.

Utilisez seulement le sel spécialement conçu pour les lave-vaisselles. Lorsque le sel est versé dans l'appareil, le voyant AJOUTER DU SEL s'éteint. **Si le contenant de sel n'est pas rempli, l'adoucisseur et l'élément chauffant peuvent être endommagés à cause de l'accumulation de calcaire.**

L'utilisation de sel est recommandée avec n'importe quel type de lessive pour lave-vaisselle.

REMPILIR LE DISTRIBUTEUR DE LIQUIDE DE RINÇAGE

Le liquide de rinçage permet à la vaisselle de SÉCHER plus facilement. Le distributeur de liquide de rinçage **A** devrait être rempli lorsque le **voyant de NIVEAU DE LIQUIDE DE RINÇAGE**  est allumé à l'écran.



1. Ouvrez le distributeur **B** en appuyant et en tirant sur l'onglet sur le couvercle.
2. Versez doucement du liquide de rinçage jusqu'à la marque de référence (110 ml) du réservoir de remplissage - évitez les débordements. Si cela se produit, nettoyez les dégâts immédiatement avec un linge sec.
3. Appuyez sur le bouchon pour le fermer; un clic se fait entendre.

Ne JAMAIS verser le liquide de rinçage directement dans la cuve.

AJUSTER LE DOSAGE DU LIQUIDE DE RINÇAGE

Si vous n'êtes pas complètement satisfait avec le séchage, vous pouvez ajuster la quantité de liquide de rinçage utilisée.

- Allumez le lave-vaisselle en utilisant la touche **MARCHE/ARRÊT**.
- Éteignez-le en utilisant la touche **MARCHE/ARRÊT**.
- Appuyez sur la touche **DÉMARRER/PAUSE** à trois reprises - vous entendrez un bip.
- Allumez-le en utilisant la touche **MARCHE/ARRÊT**.
- Le numéro du niveau de sélection actuelle et le voyant du niveau de liquide de rinçage clignotent.
- Appuyez sur la touche **P** pour sélectionner la quantité de liquide de rinçage qui doit être utilisée.
- Éteignez-le en utilisant la touche **MARCHE/ARRÊT**.

Le réglage est terminé!

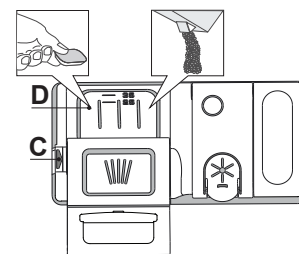
Si le niveau de liquide de rinçage est à 1, il n'y aura pas de liquide de rinçage distribué. Le voyant LIQUIDE DE RINÇAGE BAS ne s'allumera pas s'il ne reste plus de liquide de rinçage.

Un maximum de 5 niveaux peuvent être réglés selon le modèle du lave-vaisselle. Les réglages d'usine sont spécifiques au modèle, merci de suivre les instructions ci-dessus pour vérifier ceux qui s'appliquent à votre machine.

- Si vous observez des traces bleuâtres sur la vaisselle, placez sur un niveau plus bas (2-3).
- Si vous observez des gouttelettes d'eau ou des traces de calcaire sur la vaisselle, placez sur un niveau plus haut (4-5).

REMPILIR LE DISTRIBUTEUR DE DÉTERGENT

Pour ouvrir le distributeur de détergent, utilisez le dispositif d'ouverture C. Insérez le détergent dans le distributeur sec D seulement. Placez la quantité de détergent pour le trempage directement dans la cuve.




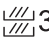




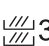







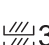





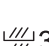



1. Lorsque vous mesurez la lessive, consultez les informations mentionnées précédemment pour ajouter la quantité correcte. À l'intérieur du distributeur **D** se trouvent des indications pour aider au dosage de la lessive.
2. Enlevez les résidus de détergent sur le bord des récipients avant de fermer le couvercle; un clic se fait entendre.
3. Fermez le couvercle du distributeur de détergent en le tirant vers le haut jusqu'à ce que le dispositif soit fermement en place.

Le distributeur de détergent s'ouvre automatiquement, au moment déterminé par le programme. Si vous utilisez un détergent « tout-en-un », nous vous conseillons d'utiliser la touche **PASTILLE**, elle ajuste le programme de façon à toujours obtenir les meilleurs résultats de lavage et séchage.

L'utilisation d'un détergent non-conçu pour les lave-vaisselles peut provoquer un dysfonctionnement ou des dommages à l'appareil.

TABLEAU DES PROGRAMMES

Programme	Séchage	ActiveDry	Options disponibles *)	Durée du programme de lavage (h:min)**)	Consommation d'eau (l/cycle)	Consommation d'énergie (kWh/cycle)
1. Éco ECO 50°	✓	✓	 	3:10	9,5	0,85
2. Auto Intensif  65°	✓	✓	 3D   	2:00 - 3:10	14,0 - 17,0	1,50 - 1,85
3. Auto Mixte  55°	✓	✓	 3D   	1:30 - 2:30	14,5 - 16,0	1,15 - 1,30
4. Auto Lavage Rapide  50°	-	-	 	0:55 - 1:20	13,0 - 14,5	1,15 - 1,25
5. Rapide 30'  50°	-	-	 3D  	0:30	9,0	0,50
6. Antibactérien  65°	✓	-		1:40	10,0	1,30
7. Trempage  -	-	-	 3D 	0:12	4,5	0,01

Les données du programme Éco sont mesurées sous des conditions en laboratoire conformément à la norme européenne EN 60436:2020.

Note pour les laboratoires d'essai : pour toutes informations sur les conditions d'essai comparatif EN, s'adresser à : dw_test_support@europeanappliances.com
Aucun prétraitement de la vaisselle n'est nécessaire avant l'un quelconque des programmes.

*) Les options ne peuvent pas toutes être utilisées en même temps.

**) Les valeurs indiquées pour des programmes différents du programme Éco sont fournis à titre indicatif uniquement. Le temps réel peut varier selon des facteurs comme la température et la pression de l'eau, la température de la pièce, la quantité de détergent, la quantité et le type de vaisselle, l'équilibre de la charge, les options supplémentaires sélectionnées, et la calibration du capteur. La calibration du capteur peut augmenter la durée du programme jusqu'à 20 minutes.

DESCRIPTION DES PROGRAMMES

Consignes pour la sélection du cycle de lavage.

1 ÉCO

Le programme Eco est adapté pour nettoyer la vaisselle normalement sale, et pour cette utilisation, c'est le programme le plus efficace en termes d'énergie combinée et de consommation d'eau, et il est utilisé pour évaluer la conformité à la législation européenne en matière d'éco-conception.

2 AUTO INTENSIF

Programme automatique pour la vaisselle et les casseroles très sales (ne pas utiliser pour la vaisselle délicate).

3 AUTO MIXTE

Programme automatique pour la vaisselle et les casseroles sales.

4 AUTO LAVAGE RAPIDE

Programme automatique pour peu de vaisselle normalement sale. Assure un nettoyage impeccable en très peu de temps.

5 RAPIDE 30'

Programme à utiliser pour la demi-charge de vaisselle légèrement sale sans résidus alimentaires séchés. N'a pas de phase de séchage.

6 ANTIBACTÉRIEN

Vaisselle sale ou très sale, avec lavage antibactérien supplémentaire. Peut être utilisé pour effectuer l'entretien du lave-vaisselle.

7 TREMPAGE

Utilisez ce programme pour rafraîchir la vaisselle qui sera lavée plus tard. N'utilisez pas de détergent avec ce programme.

Remarques :

Il convient de noter que le cycle *Rapide 30'* est destiné uniquement à la vaisselle légèrement sale.

OPTIONS ET FONCTIONS

Les OPTIONS peuvent être sélectionnées directement en appuyant sur la touche correspondante (voir PANNEAU DE COMMANDE).

Si une option n'est pas compatible avec le programme sélectionné voir TABLEAU DES PROGRAMMES, le voyant correspondant clignote 3 fois et un bip se fait entendre. La fonction n'est pas activée.


3D ZONE WASH 3D


Travaux en option avec un rack à la fois. En particulier, nous recommandons de l'utiliser avec en cycle Mixte et Intensif - grâce aux jets d'eau 3D supplémentaires placés sur le fond de la cavité, l'option ZONE WASH 3D permet d'économiser de l'énergie ou d'augmenter les performances de lavage du lave-vaisselle :


- ZONE WASH 3D + CYCLE MIXTE: permet de réduire la consommation d'énergie jusqu'à 40%.
- ZONE WASH 3D + CYCLE INTENSIF : augmente les performances de lavage jusqu'à 40%. Idéal pour les charges mélangées très sales, par exemples les casseroles et les poêles, la vaisselle avec des saletés incrustées ou difficiles à nettoyer (fromage ou légumes brûlés, coutellerie sale).

Comment activer l'option:

1. Sélectionner un cycle compatible
2. Par défaut, l'appareil lave la vaisselle sur tous les paniers. Pour seulement laver la vaisselle sur un panier particulier, appuyez plusieurs fois sur cette touche :

 s'affiche à l'écran (panier inférieur seulement)

 s'affiche à l'écran (panier supérieur seulement)

 s'affiche à l'écran (l'option est ÉTEINTE et l'appareil lave la vaisselle sur tous les paniers).

Chargez seulement le panier supérieur ou inférieur, et réduisez la quantité de détergent en conséquence.

Si le panier supérieur est enlevé, appliquez le détergent directement dans la cuve au lieu du distributeur de détergent.

VERROU

En appuyant pendant au moins 3 secondes sur la touche ZONE WASH 3D la fonction VERROUILLAGE s'active. La fonction VERROUILLAGE désactive le panneau de commande à l'exception de la touche MARCHE/ARRÊT. Appuyez à nouveau sur la touche pour désactiver le VERROUILLAGE.

SHORT TIME

Cette option permet de réduire la durée des programmes principaux tout en conservant les niveaux de rendement du lavage et du séchage.

Après avoir sélectionné le programme, appuyez sur la touche SHORT TIME et le voyant s'illumine. Appuyez de nouveau sur la touche pour annuler l'option.

PASTILLE

Ce réglage vous permet d'optimiser le rendement du programme selon le type de détergent utilisé.

Appuyez sur la touche SHORT TIME pendant 3 secondes (et le symbole correspondant s'illumine) si vous utilisez un détergent sous la forme d'une pastille (liquide de rinçage, sel, et détergent en une seule dose).

Si vous utilisez un détergent en poudre ou liquide, cette option devrait être éteinte.

DIFFÉRÉ

Le début du programme peut être retardé pour une période entre 30 minutes et 24 heures.

1. Sélectionnez un programme et les options souhaités. Appuyez sur la touche DIFFÉRÉ (plusieurs fois) pour retarder le début du programme. Réglable de 0:30 à 24 heures. Chaque fois que vous appuyez sur la touche, le départ différé est retardé de : 0:30 si la sélection est inférieure à 4 heures, 1:00 si la sélection est inférieure à 12 heures, 4 heures si la sélection est supérieure à 12 heures. Si vous appuyez sur la touche après avoir atteint 24 heures, le départ différé est désactivé.
2. Appuyez sur la touche Démarrer/Pause: la minuterie commence le compte à rebours;
3. Une fois le temps écoulé, le voyant s'éteint et le programme démarre automatiquement.

Si, pendant le compte à rebours, vous appuyez sur la touche DÉMARRER/PAUSE de nouveau, l'option DIFFÉRÉ est annulée et le programme sélectionné démarre automatiquement.

La fonction DIFFÉRÉ ne peut pas réglée une fois le programme en cours.

ROBINET D'EAU FERMÉ - Alarme

Clignote lorsqu'il n'y a pas d'arrivée d'eau ou que le robinet d'eau est fermé.

DRAINER

Pour arrêter ou annuler le cycle en cours, vous pouvez utiliser la fonction Drainer.

Si vous appuyez un long moment sur la touche DÉMARRER/PAUSE la fonction DRAINER s'active. Le programme en cours s'arrête et l'eau dans le lave-vaisselle est vidangée.

ActiveDry

ActiveDry est un système de séchage à convection qui ouvre automatiquement la porte pendant/après la phase de séchage pour assurer une performance de séchage exceptionnelle chaque jour. La porte s'ouvre à la température qui est sûre pour les meubles de votre cuisine, donc la porte ne sera pas ouverte quand l'option SHORT TIME sera activée.

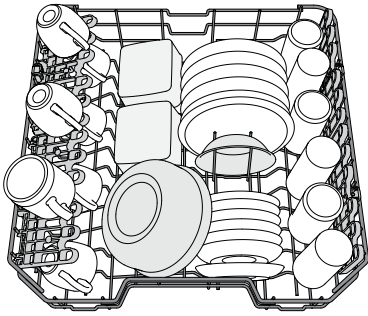
La porte s'ouvre à la température qui est sûre pour les meubles de votre cuisine. À titre de protection supplémentaire contre la vapeur, une feuille de protection spécifiquement conçue est ajoutée avec le lave-vaisselle (en fonction du type de modèle - il peut être nécessaire de l'acheter). Pour voir comment monter la feuille de protection, consulter le (GUIDE D'INSTALLATION).

La fonctionnalité ActiveDry pourrait être désactivée par l'utilisateur comme suit:

- Pour DÉSACTIVER : allumer, puis éteindre la machine. Maintenir le bouton **P** enfoncé pendant 5 s, au bout desquelles le lave-vaisselle émet un bip court. Allumer la machine, l'écran affiche „oOF”.
- Pour ACTIVER : allumer, puis éteindre la machine. Maintenir le bouton **P** enfoncé pendant 5 s, au bout desquelles le lave-vaisselle émet un bip court. Allumer la machine, l'écran affiche „oOn”.

CHARGEMENT DES PANIERS

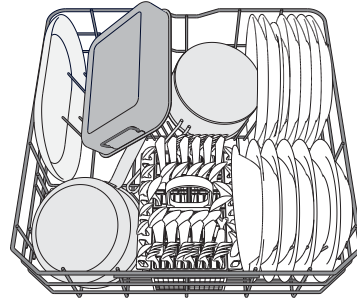
PANIER SUPÉRIEUR



Chargez la vaisselle délicate et légère: verres, tasses, soucoupes, saladiers bas.

(exemple de chargement du panier supérieur)

PANIER INFÉRIEUR



Pour les poêles, les couvercles, les plats, les saladiers, les couverts, etc. Les grands plats et les grands couvercles devraient être placés sur le côté pour éviter qu'ils n'entravent le fonctionnement des bras d'aspersion.

(exemple de chargement du panier inférieur)

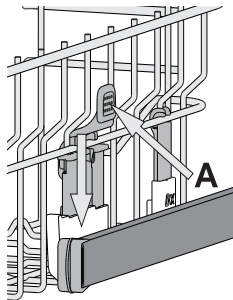
AJUSTER LA HAUTEUR DU PANIER SUPÉRIEUR

Vous pouvez ajuster la hauteur du panier supérieur : position élevée pour placer la vaisselle encombrante sur le panier inférieur, et la position basse pour profiter au maximum des supports rabattables et créant plus d'espace vers le haut et éviter les chocs avec les articles sur le panier inférieur.

Le panier supérieur comprend un **dispositif de réglage de la hauteur du panier supérieur** (voir figure), sans appuyer sur les leviers, simplement soulever en tenant le panier sur les côtés jusqu'à ce qu'il soit stable en position élevée. Pour abaisser le panier, appuyez sur les leviers **A** sur les côtés du panier et déplacez-le vers le bas.

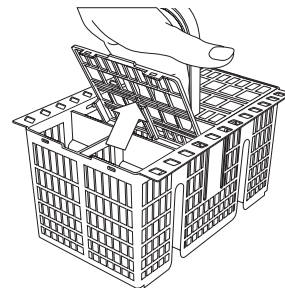
Nous vous conseillons fortement de ne pas ajuster la hauteur du panier lorsqu'il est chargé.

Ne JAMAIS soulever ou abaisser un seul côté du panier.



PANIER À COUVERT

Le panier comprend des grilles supérieures pour placer les couverts plus facilement. Le panier à couvert doit uniquement être placé à l'avant du panier inférieur.



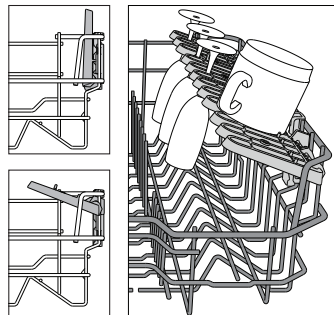
Les couteaux et autres ustensiles avec des bords tranchants doivent être placés dans le panier à couvert avec la pointe vers le bas, ou placés à l'horizontale dans le compartiment rabattable sur le panier supérieur.

VOLETS PLIABLES AVEC POSITIONS AJUSTABLES

Les volets pliables latéraux peuvent être pliés ou dépliés afin d'optimiser la disposition de la vaisselle à l'intérieur du rack. Les verres de vin peuvent être placés de façon sécuritaire dans les volets pliables en insérant le pied de chaque verre dans la fente correspondante.

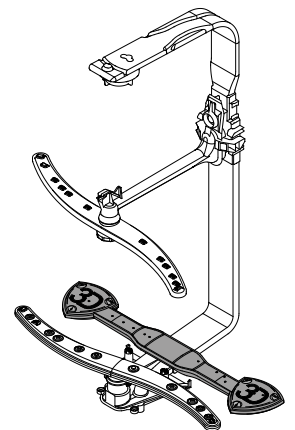
Selon le modèle :

- pour déplier les volets, il est nécessaire de les coulisser vers le haut et de les tourner ou de les libérer des griffes et de les tirer vers le bas.
- pour replier les volets, il est nécessaire de les tourner et de les faire coulisser vers le bas ou de les tirer vers le haut et de fixer les pattes aux griffes.



ZONE WASH 3D

Zone Wash 3D utilise des jets d'eaux supplémentaires situés à la fois : dans la partie supérieure et inférieure du lave-vaisselle (marqués de couleur orange) pour laver plus intensivement des éléments très sales en augmentant la couverture d'eau sur les assiettes. Exemple : charger les pots et casseroles orientés vers la partie inférieure des composants de Zone Wash 3D et activer l'option 3D Zone Wash sur le panneau.



UTILISATION QUOTIDIENNE

1. VÉRIFIER LE BRANCHEMENT DE L'EAU

Assurez-vous que l'appareil est raccordé à un réseau d'alimentation et que le robinet de l'eau est ouvert.

2. ALLUMER LE LAVE-VAISSELLE

Appuyez sur la touche **MARCHE/ARRÊT**.

3. CHARGER LES PANIERS

(voir **CHARGEMENT DES PANIERS**).

4. REMPLIR DE DISTRIBUTEUR DE DÉTERGENT

5. CHOISIR LE PROGRAMME ET PERSONNALISER LE CYCLE

Sélectionnez le meilleur programme selon le type de vaisselle et le niveau de saleté (voir **DESCRIPTION DES PROGRAMMES**) en appuyant sur la touche **P**.

Sélectionnez les options désirées (voir **OPTIONS ET FONCTIONS**).

6. DÉMARRER

Démarrez le cycle de lavage en appuyant sur la touche **DÉMARRER/PAUSE**. Vous entendez un bip lorsque le programme démarre.

7. FIN DU CYCLE DE LAVAGE

La fin du cycle est indiquée par les bips et l'affichage indique **END**. Ouvrez la porte et éteignez l'appareil en appuyant sur la touche **MARCHE/ARRÊT**.

Pour éviter de vous brûler, attendez quelques minutes avant de retirer la vaisselle. Déchargez les paniers en commençant par le premier inférieur.

L'appareil s'éteint automatiquement durant des périodes d'inactivité prolongées pour réduire la consommation d'énergie.

Si la vaisselle est légèrement sale ou si elle a été rincée avec à l'eau avant d'être placée dans le lave-vaisselle, réduisez la quantité de détergent utilisée en conséquence.

ODIFIER UN PROGRAMME EN COURS

Si vous avez sélectionné le mauvais programme, vous pouvez le changer si c'est fait au début du cycle : appuyez sur la touche **MARCHE/ARRÊT** pour éteindre l'appareil.

Rallumez l'appareil en appuyant sur la touche **MARCHE/ARRÊT** et sélectionnez le nouveau cycle de lavage et les options désirées; démarrez le cycle en appuyez sur la touche **DÉMARRER/PAUSE**.

AJOUTER DE LA VAISSELLE

Sans éteindre l'appareil, ouvrez la porte (**attention à la vapeur CHAUDE!**) et placez la vaisselle à l'intérieur du lave-vaisselle. Fermez la porte et appuyez sur la touche **DÉMARRER/PAUSE**, le cycle démarre au point où il a été interrompu.

INTERRUPTIONS IMPRÉVUES

Si la porte est ouverte durant le cycle de lavage, ou s'il y a une panne de courant, le cycle s'interrompt. Une fois la porte refermée ou le courant électrique restauré, pour redémarrer le cycle à partir du point où il a été interrompu, appuyez sur la touche **DÉMARRER/PAUSE**.

Pour désactiver le **MODE DEMO**, les actions suivantes doivent être réalisées dans l'ordre, sans interruptions. Allumez la machine puis rééteignez-la. Appuyez sur le bouton **DIFFÉRÉ** jusqu'à ce que le signal sonore retentisse. Rallumez la machine. Le témoin "**DOF**" clignote puis s'éteint.

AVIS ET CONSEILS

CONSEILS

Avant de charger les paniers, enlevez tous les résidus de nourriture sur la vaisselle et videz les verres. **Vous n'avez pas besoin de rincer la vaisselle avant de la placer dans le lave-vaisselle.**

Placez la vaisselle pour qu'elle tienne bien en place et ne risque pas de tomber; et placez les récipients avec les ouvertures vers le bas et les parties concaves/convexes de côté pour permettre à l'eau d'atteindre toutes les surfaces et couler librement.

Avertissement : les couvercles, poignées, plaques et poêles à frire n'empêchent pas les bras d'aspersion de tourner. Placez les petits articles dans le panier à couvert. La vaisselle et les casseroles très sales devraient être placées sur le panier inférieur car les jets d'eau sont plus forts dans cette section et permet un meilleur rendement lors du lavage. Après avoir chargé l'appareil, assurez-vous que les bras d'aspersion peuvent bouger librement.

VAISSELLE QUI NE CONVIENT PAS

- Vaisselle et couverts en bois.
- Verres décoratifs délicats, produits artisanaux, et vaisselle antique. Les garnitures ne sont pas résistantes.
- Les pièces en matériel synthétique qui ne supportent pas les hautes températures.
- La vaisselle en cuivre ou en étain.
- La vaisselle tachée de cendre, de cire, de graisse lubrifiante, ou d'encre. Les couleurs des garnitures de verre et des pièces d'aluminium/argent peuvent changer et ternir durant le cycle de lavage. Certains types de verre (p. ex. les objets en cristal) peuvent aussi devenir opaque après plusieurs cycles de lavage.

VERRES ET VAISSELLE ENDOMMAGÉS

- Seulement utiliser des verres ou de la porcelaine qui sont lavables au lave-vaisselle conformément aux recommandations du fabricant.
- Utilisez un détergent doux, adéquat pour la vaisselle.
- Retirez les verres et les couverts du lave-vaisselle aussitôt que le cycle de lavage est terminé

ASTUCES SUR L'ÉCONOMIE D'ÉNERGIE

- Lorsque le lave-vaisselle domestique est utilisé conformément aux instructions du fabricant, **le lavage de la vaisselle dans un lave-vaisselle consomme habituellement MOINS D'ÉNERGIE et d'eau que le lavage à la main.**
- Afin d'optimiser l'efficacité du lave-vaisselle, il est recommandé de **débuter le cycle de lavage une fois que le lave-vaisselle est totalement chargé.** Le chargement du lave-vaisselle domestique jusqu'à la capacité indiquée par le fabricant contribuera à économiser de l'énergie et de l'eau. Vous trouverez des informations sur le chargement correct de la vaisselle dans le chapitre **CHARGEMENT DES PANIERS**.
- En cas de chargement partiel, il est recommandé d'utiliser des options de lavage spécifiques si elles sont disponibles (Demi-charge / Zone Wash/ Multi Zone), en remplissant uniquement les paniers sélectionnés. Un chargement incorrect ou une surcharge du lave-vaisselle peut augmenter l'utilisation des ressources (telles que l'eau, l'énergie et le temps, et augmenter le niveau de bruit), en réduisant les performances de nettoyage et de séchage.
- Un prérinçage manuel des éléments de vaisselle provoque une augmentation de la consommation d'eau et d'énergie et n'est pas recommandé.

HYGIÈNE

Pour éviter les odeurs et les dépôts qui pourraient s'accumuler dans le lave-vaisselle, **lancer un programme à haute température au moins une fois par mois.** Utilisez une cuillère à café de détergent et lancer le programme sans vaisselle pour nettoyer l'appareil.

NETTOYAGE ET ENTRETIEN

NETTOYER L'ENSEMBLE FILTRE

Nettoyez régulièrement l'ensemble filtre pour éviter qu'il ne se bouche et pour permettre aux eaux usées de bien s'éliminer.

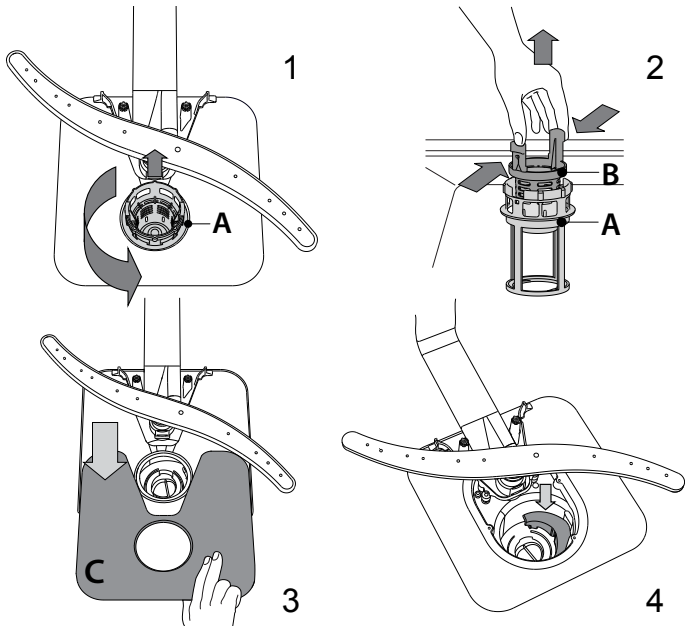
L'utilisation du lave-vaisselle avec des filtres obstrués ou des objets étrangers à l'intérieur du système de filtration ou des bras de pulvérisation peut provoquer un dysfonctionnement de l'unité provoquant une perte de performances, un fonctionnement bruyant ou une utilisation supérieure des ressources.

L'ensemble filtre comprend trois filtres qui séparent les résidus de nourriture de l'eau de lavage pour ensuite faire circuler l'eau.

N'utilisez pas le lave-vaisselle sans les filtres ou si un filtre est mal ajusté.

Au moins une fois par mois ou tous les 30 cycles, vérifiez l'assemblage du filtre et si nécessaire, nettoyez-le minutieusement sous l'eau courante, en utilisant une brosse non-métallique et en suivant les instructions ci-dessous :

1. Tournez le filtre cylindrique **A** dans le sens antihoraire et retirez-le (Fig. 1).
2. Enlevez le panier du filtre **B** en appliquant une légère pression sur les volets latéraux (Fig. 2).
3. Retirez la plaque du filtre en acier inoxydable **C** (Fig. 3).
4. Si vous trouvez des objets étrangers (comme du verre brisé, de la porcelaine, des os, des pépins de fruits, etc), enlevez-les minutieusement.
5. Inspecter la cavité et enlever les résidus de nourriture. **NE JAMAIS ENLEVER** la protection de la pompe du cycle de lavage (détails en couleur noir) (Fig 4).



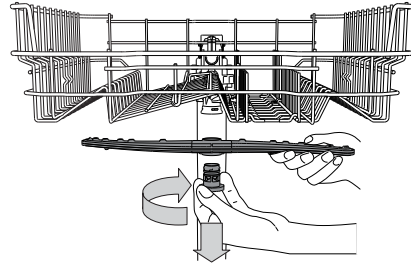
Après avoir nettoyé les filtres, assemblez de nouveau l'ensemble filtre et remettez-le en place correctement; c'est très important pour que le lave-vaisselle garde son efficacité.

NETTOYER LE TUYAU D'ARRIVÉE D'EAU

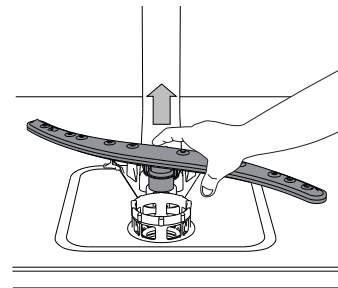
Si les tuyaux d'eau sont neufs ou s'ils n'ont pas été utilisés depuis longtemps, laissez l'eau couler pour vous assurer qu'il n'y a pas d'impureté ou de saleté avant de les brancher. Si vous n'effectuez pas cette opération, l'arrivée d'eau pourrait se boucher et endommager le lave-vaisselle.

NETTOYER LES BRAS D'ASPERSION

À l'occasion, des résidus de nourriture s'incrument dans les bras d'aspersion et bloquent les trous utilisés pour asperger de l'eau. Il est donc conseillé de vérifier les bras de temps en temps et de les nettoyer avec une petite brosse non métallique.



Pour enlever le gicleur supérieur, tournez l'anneau de verrouillage en plastique dans le sens horaire. Le bras d'aspersion supérieur doit être replacé de façon que le côté avec le plus grand nombre de trous est placé vers le haut.



Le bras d'aspersion inférieur peut être enlevé en le tirant vers le haut.

SYSTÈME ADOUCISSEUR D'EAU

L'adoucisseur d'eau réduit automatiquement la dureté de l'eau, en empêchant ainsi la formation de calcaire sur la résistance, et en contribuant également à une meilleure performance de nettoyage.

Ce système se régénère avec du sel, il est donc nécessaire de remplir le bac de sel lorsqu'il est vide.

La fréquence de régénération dépend du réglage du niveau de dureté de l'eau - la régénération a lieu une fois tous les 6 Cycles ECO avec un niveau de dureté de l'eau réglé à 3.

Le processus de régénération débute lors du rinçage final et se termine en phase de séchage avant la fin du cycle.

- Une régénération simple consomme : ~3,5 L d'eau ;
- Prend jusqu'à 5 minutes supplémentaires pour le cycle ;
- Consomme moins de 0,005 kWh d'énergie.

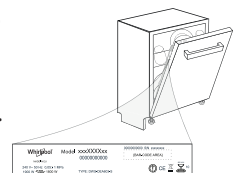
DÉPANNAGE

Si votre lave-vaisselle ne fonctionne pas correctement, vérifiez si le problème peut être résolu en suivant la liste ci-après. Pour d'autres erreurs ou problèmes, contactez le Service après-vente agréé dont les coordonnées peuvent être trouvées dans le livret de garantie. Les pièces de rechange seront disponibles pour une période allant jusqu'à 7 ou jusqu'à 10 ans, selon les exigences spécifiques du règlement.

PROBLÈMES	CAUSES POSSIBLES	SOLUTIONS
 L'indicateur de sel est allumé	Le réservoir de sel est vide. (Après le remplissage, il est possible que le voyant du niveau de sel régénérant ne s'éteigne qu'au bout de plusieurs cycles de lavage).	Remplissez le réservoir de sel régénérant (pour plus d'informations, reportez-vous à la page 2). Réglez la dureté de l'eau - reportez-vous au tableau de la page 2.
 Le voyant de liquide de rinçage est allumé	Le distributeur de liquide de rinçage est vide. (Après le remplissage, il est possible que le voyant du niveau de liquide de rinçage ne s'éteigne qu'au bout de plusieurs cycles de lavage).	Remplissez le distributeur de liquide de rinçage (pour plus d'informations, reportez-vous à la page 2).
Le lave-vaisselle ou les commandes ne fonctionnent pas.	L'appareil n'est pas bien branché.	Insérez la fiche dans la prise de courant.
	Panne de courant.	Pour des raisons de sécurité, le lave-vaisselle ne redémarrera pas automatiquement lors du retour de l'alimentation électrique. Appuyez sur le bouton DÉMARRER/Pause pour reprendre le cycle.
	La porte du lave-vaisselle n'est pas fermée. Broche <i>ActiveDry</i> non entrée	Poussez vigoureusement la porte pour entendre le « clic ».
	Le cycle est interrompu par une ouverture de la porte supérieure à 4 secondes.	Fermez la porte et appuyez sur la touche Démarrer/Pause.
	Les commandes ne fonctionnent pas. L'afficheur indique : F9 ou F12 et les voyants Marche/Arrêt et Démarrer/Pause clignotent rapidement.	Éteindre l'appareil en appuyant sur la touche MARCHE/ARRÊT, rallumez-le environ une minute après, et relancez le programme. Si le problème persiste, débranchez l'appareil pendant 1 minute, puis rebranchez-le
Le lave-vaisselle ne se vidange pas. L'afficheur indique: F3 et les voyants Marche/Arrêt et Démarrer/Pause clignotent rapidement.	Le cycle de lavage n'est pas encore terminé.	Attendre que le cycle se termine.
	Le tuyau de vidange est plié.	Assurez-vous que le tuyau de vidange n'est pas plié (voir <i>CONSIGNES D'INSTALLATION</i>).
	Le conduit de vidange de l'évier est bouché.	Nettoyez le conduit de vidange de l'évier.
	Le filtre est bouché par des résidus de nourriture	Nettoyez le filtre (voir <i>NETTOYAGE DE L'ENSEMBLE FILTRE</i>).
Le lave-vaisselle fait beaucoup de bruit.	La vaisselle s'entrechoque.	Remplacez la vaisselle (voir <i>CHARGEMENT DES PANIERS</i>).
	Il y a une trop grande quantité de mousse.	Le détergent a été mal mesuré ou il n'est pas adéquat pour les lave-vaisselles (voir <i>REEMPLIR LE DISTRIBUTEUR DE DÉTERGENT</i>). Relancez le lave-vaisselle en appuyant sur la touche DRAINER (voir <i>OPTIONS ET FONCTIONS</i>) et lancez un nouveau programme sans détergent.
La vaisselle n'est pas propre.	La vaisselle n'est pas bien placée.	Remplacez la vaisselle (voir <i>CHARGEMENT DES PANIERS</i>).
	Les bras d'aspersion ne bougent pas librement, ils sont gênés par la vaisselle.	Remplacez la vaisselle (voir <i>CHARGEMENT DES PANIERS</i>).
	Le cycle de lavage est trop délicat.	Sélectionnez le cycle de lavage approprié (voir <i>TABLEAU DES PROGRAMMES</i>).
	Il y a une trop grande quantité de mousse.	Le détergent a été mal mesuré ou il n'est pas adéquat pour les lave-vaisselles (voir <i>REEMPLIR LE DISTRIBUTEUR DE DÉTERGENT</i>).
	Le bouchon du compartiment de liquide de rinçage n'est pas bien fermé.	Assurez-vous que le bouchon du distributeur de liquide de rinçage est fermé.
	Le filtre est sale ou bouché.	Nettoyez l'ensemble de filtre (voir <i>NETTOYAGE ET ENTRETIEN</i>).
L'eau n'arrive pas au lave-vaisselle. L'afficheur indique :  et F6 et les voyants Marche/arrêt et Démarrer/Pause clignotent rapidement.	Il n'y a pas de sel.	Remplir le réservoir de sel (voir <i>REEMPLIR LE RÉSERVOIR DE SEL</i>).
	L'alimentation d'eau est vide ou le robinet est fermé.	Assurez-vous qu'il y a de l'eau dans le circuit d'alimentation ou que le robinet est ouvert.
	Le tuyau d'arrivée est plié.	Assurez-vous que le tuyau d'entrée n'est pas plié (voir <i>INSTALLATION</i>) reprogrammez le lave-vaisselle et relancez-le.
Le lave-vaisselle termine le cycle prématurément. L'afficheur indique : F15 et les voyants Marche/arrêt et Démarrer/Pause clignotent rapidement.	Le tamis dans le tuyau d'arrivée d'eau est obstrué; il est nécessaire de le nettoyer.	Après avoir complété la vérification et le nettoyage, éteignez et rallumez le lave-vaisselle et redémarrez le programme.
	Le tuyau de vidange est positionné trop bas ou se vide dans le système d'évacuation domestique.	Vérifiez si l'extrémité du tuyau de vidange est placée à la hauteur correcte (voir <i>INSTALLATION</i>). Vérifiez la vidange dans le système d'évacuation domestique, installez une vanne d'admission d'air si nécessaire.
La fuite de détergent.	De l'air est présent dans l'alimentation en eau.	Vérifiez si l'alimentation en eau présente des fuites ou d'autres problèmes laissant entrer de l'air.
	Dépend du détergent liquide utilisé et peut être accentuée en cas d'activation de l'option de retardement.	Les petites fuites n'entraînent pas de dysfonctionnement de la machine et peuvent être évitées en changeant de type de détergent liquide ou en utilisant des tablettes.

Vous trouverez les documents normatifs, la documentation standard, le classement des pièces de rechange et des informations supplémentaires sur les produits:

- En utilisant le QR code sur votre produit.
- En visitant notre site web docs.hotpoint.eu et parts-selfservice.europeanappliances.com
- Vous pouvez également **contacter notre Service après-vente** (voir numéro de téléphone dans le livret de garantie). Lorsque vous contactez notre Service après-vente, veuillez indiquer les codes figurant sur la plaque signalétique de l'appareil.



Les informations relatives au modèle peuvent être trouvées en utilisant le QR-Code figurant sur l'étiquette énergétique. L'étiquette comprend également l'identifiant du modèle qui peut être utilisé pour consulter le portail du registre sur le site <https://eprel.ec.europa.eu>

UDHËZUESI PËR PËRDORIMIN E PËRDITSHËM



**FALEMINDERIT QË KENI BLERË PRODUKTIN HOTPOINT
ARISTON.**

Për të marrë mbështetjen më të plotë, ju lutemi të regjistrohe-
ni në: www.hotpoint.eu/register

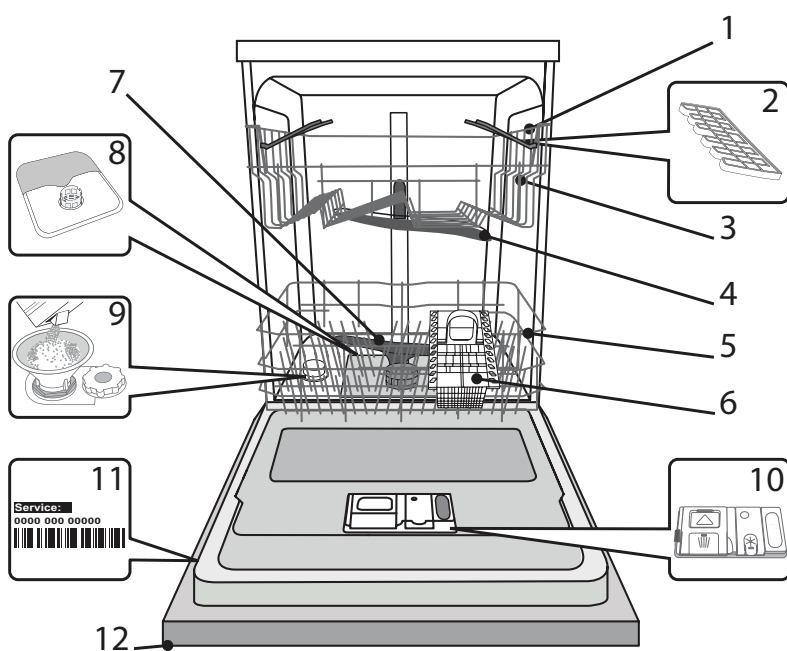
**JU LUTEMI TË SKANONI KODIN
QR NË PRODUKTIN TUAJ PËR TË
MARRË INFORMACIONET MË TË
DETAJUARA**



Para se të përdorni këtë pajisje lexoni Udhëzimin për shëndetin dhe sigurinë.

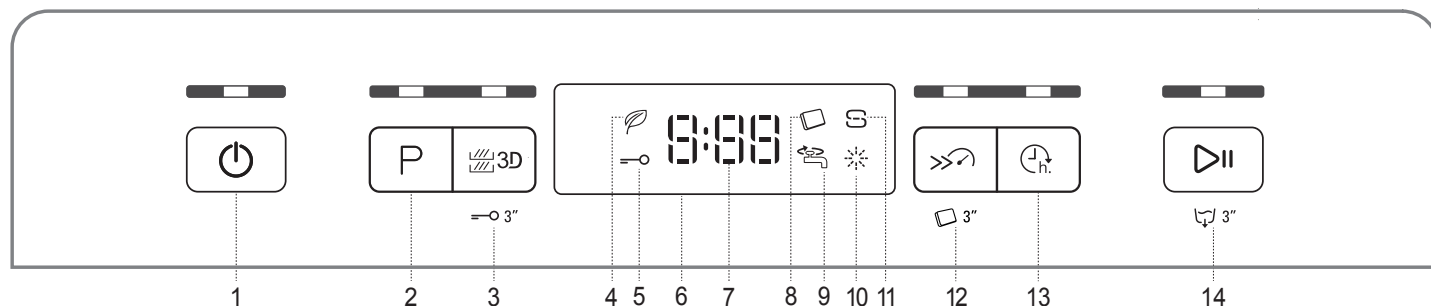
PËRSHKRIMI I PRODUKTIT

PAJISJA



1. Rafti i sipërm
2. Ventila të përkulshëm
3. Përshtatësi i lartësisë së raftit të sipërm
4. Krahu spërkatës i sipërm
5. Rafti i poshtëm
6. Shporta e enëve
7. Krahu spërkatës i poshtëm
8. Montimi i filtrit
9. Rezervuari i kripës
10. Shpërndarësi i detergjentit dhe shpëlarësit
11. Pllakëza e klasifikimit
12. Paneli i kontrollit

PANELI I KONTROLLIT



1. ON-OFF / Butoni i rivendosjes me dritën treguese
2. Butoni për zgjedhjen e programit me dritën treguese
3. Butoni i Zone Wash 3D me dritën treguese / Bllokimi i tastierës
4. Llambushka treguese e programit Eko
5. Llambushka treguese e Bllokimi i tastierës
6. Ekrani
7. Numri i programit treguesi i kohës së mbetur
8. Llambushka treguese e Tabletës (Tab)
9. Llambushka treguese e Rubinetit të ujit të mbyllur
10. Llambushka treguese e rezervuarit të Shpëlarësit të boshatisur
11. Llambushka treguese e rezervuarit të Kripës të boshatisur
12. Butoni i opsionit Short Time me dritën treguese / Tabletës (Tab)
13. Butoni i ndezjes me vonesë me dritën treguese
14. Butoni Fillim/Pushim me dritën treguese / Kullim

Hotpoint

ARISTON

PËRDORIMI I PARË I PAJISJES KRIPË, MJET PËR SHPËLARJE DHE DETERGJENT

REKOMANDIMET NË LIDHJE ME PËRDORIMIN E PARË

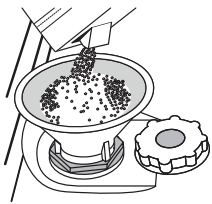
Pas instalimit, hiqni kapakët nga raftet dhe elementet shtrënguese elastike nga rafti i sipërm.

MBUSHJA E KUTISË SË KRIPËS

Përdorimi i kripës parandalon formimin e GËLQERES në enët dhe komponentët funksionalë të makinës.

- **KUTIA E KRIPËS NUK DUHET** të jetë **I ZBRAZËT KURRË**.
- Është e rëndësishme të rregulloni fortësinë e ujit.

Kutia e kripës gjendet në pjesën e poshtme të enëlarësës (*shihni PËRSH-KRIMIN E PRODUKTIT*) dhe duhet të mbushet kur ndriçon në panelin e kontrollit drita treguese **RIMBUSHJA E KRIPËS**.



1. Hiqni raftin e poshtëm dhe zhvendosni kapakun e kutisë (në drejtim të kundërt të akrepave të sahatit).
2. **Kur e bëni këtë vetëm për herë të parë mbushni me ujë kutinë e kripës.**
3. Vendosni hinkën (*shihni imazhin*) dhe mbushni kutinë e kripës deri në buzën e tij (përafërsisht 1 kg); nuk është e pazakonshme nëse rrjedh pak ujë.
4. Hiqni hinkën dhe fshini të gjitha pjesët e mbetura të kripës.

Sigurohuni se është vidhosur fort kapaku në mënyrë që detergjenti të mos hyjë brenda gjatë programit të larjes (kjo mund të dëmtojë përherë zbutësin e ujit).

Sa herë që duhet të shtoni kripën, procedura duhet të mbarohet detyrisht para fillimit të ciklit të larjes me qëllim që të shmangët gërryerja.

KONFIGURIMI I FORTËSISË SË UJIT

Në mënyrë që zbutësi i ujit të punojë pa gabim, është e domosdoshme që konfigurimi i fortësisë së ujit të bazohet mbi fortësinë reale të ujit në shtëpinë tuaj. Këto informacione mund t'i merrni nga furnizuesi juaj lokal i ujit.

Fabrika vendos vlerën fillestare të fortësisë së ujit.

- Ndizni pajisjen duke shtypur butonin **ON/OFF**.
- Fikni pajisjen duke shtypur butonin **ON/OFF**.
- Mbani të shtypur për 5 sekonda butonin **FILLIM/PUSHIM**, derisa të dëgjoni një sinjal zanor.
- Ndizni pajisjen duke shtypur butonin **ON/OFF**.
- Numri aktual i nivelit të zgjedhjes dhe drita treguese e kripës po pulsojnë.
- Shtypni butonin **P** për të zgjedhur nivelin e dëshiruar të fortësisë (*shihni TABELËN E FORTËSISË SË UJIT*).

Tabela e fortësisë së ujit			
Niveli	°dH Shkalla gjermane	°fH Shkalla franceze	°Clark Shkalla angleze
1	E butë	0 - 6	0 - 10
2	E mesme	7 - 11	11 - 20
3	Mesatare	12 - 16	21 - 29
4	E fortë	17 - 34	30 - 60
5	Shumë e fortë	35 - 50	61 - 90

- Fikni pajisjen duke shtypur butonin **ON/OFF**.

Konfigurimi ka përfunduar!

Kur të përfundojë kjo procedurë, nisni menjëherë programin.

Përdorni vetëm kripën që është krijuar veçanërisht për enëlarëset.

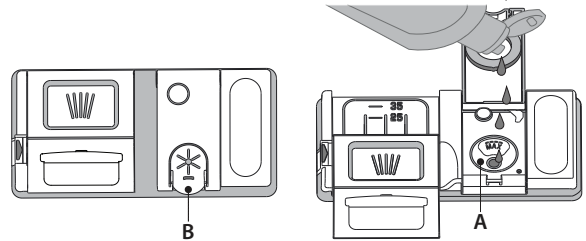
Pasi është vendosur kripa në enëlarësen, do të fiket drita treguese e RIMBUSHJES SË KRIPËS.

Nëse nuk është mbushur kutia e kripës, zbutësi i ujit dhe elementi ngrohës mund të dëmtohen si pasojë e grumbullimit të gëlqerës.

Përdorimi i kripës rekomandohet me cilindo lloj të detergjentit për enëlarëset.

MBUSHJA E KUTISË SË MJETIT PËR SHPËLARJE

Mjeti për shpëlarje lehtëson THARJEN e enëve. Kutia e mjetit për shpëlarje **A** duhet të mbushet kur të ndriçojë në panelin e kontrollit drita treguese **RIMBUSHJA E MJETIT PËR SHPËLARJE**.



1. Hapni kutinë **B** duke shtypur dhe tërhequr lart skedën në kapak.
2. Dërdhni mjetin për shpëlarje (maks. 110 ml), duke kujdesur që të mos dalë jashtë shtratit të kutisë. Nëse ndodh kjo, fshini menjëherë këtë me një leckë të thatë.
3. Për të mbyllur kapakun, shtypni atë poshtë derisa të dëgjoni një klik.

Mos vendosni KURRË mjetin për shpëlarje drejtpërdrejt në pajisjen.

KONFIGURIMI I DOZËS SË MJETIT PËR SHPËLARJE

Nëse nuk jeni plotësisht të kënaqur me rezultatet e tharjes, mund të konfiguroni sasinë e mjetit për shpëlarje.

- Ndizni enëlarësen duke shtypur butonin **ON/OFF**.
- Fikni enëlarësen duke shtypur butonin **ON/OFF**.
- Shtypni tri herë butonin **FILLIM/PUSHIM** - do të dëgjohet një sinjal zanor.
- Fikeni atë duke shtypur butonin **ON/OFF**.
- Numri aktual i nivelit të zgjedhjes dhe drita treguese e kripës po pulsojnë.
- Shtypni butonin **P** për të zgjedhur nivelin e sasisë së mjetit për shpëlarje.
- Fikeni atë duke shtypur butonin **ON/OFF**.

Konfigurimi ka përfunduar!

Nëse është konfiguruar në 1 nivelin e mjetit për shpëlarje, nuk do të përdoret asnjë mjet për shpëlarje.

Drita treguese ezervuarit të SHPËLARËSIT TË BOSHTATISUR nuk do të ndriçojë nëse ju mungon mjeti për shpëlarje.

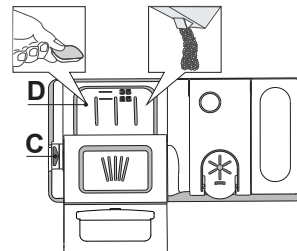
Varësisht nga modeli i enëlarëses mund të konfigurohen jo më shumë se 5 nivele. Konfigurimi fillestar është specifik për modelin, ju lutemi që të ndiqni udhëzimet e sipërme për ta kontrolluar këtë lidhur me enëlarësen tuaj.

- Nëse shihni vija blu në enët, konfiguroni numrin më të ulët (2-3).
- Nëse ka pika uji ose shenja gëlqereje në enët, konfiguroni numrin e mesëm (4-5).

MBUSHJA E KUTISË SË DETERGJENTIT

Për të hapur kutinë e detergjentit përdorni hapësen C.

Vendosni detergjentin vetëm në kutinë D. Vendosni sasinë e detergjentit për paralarje drejtpërdrejt në pajisjen.



1. Kur matni sasinë e detergjentit merrni parasysh informacionet e përmendura më herët për të shtuar sasinë e përshtatshme. Brenda kutisë **D** gjenden informacionet që ndihmojnë në dozimin e detergjentit.
2. Hiqni pjesët e mbetura të detergjentit nga buzët e kutisë dhe mbyllni kapakun derisa të dëgjohet një klik.
3. Mbyllni kapakun e kutisë së detergjentit duke e tërhequr lart derisa të fiksohet mirë mbyllësja.

Kutia e detergjentit hapet automatikisht në kohën e duhur në përputhje me programin.

Nëse përdorni detergjentët all-in-one (gjithçka në një), ju rekomandojmë që të përdorni butonin **TABLETA**, sepse ai adapton programin në mënyrë që të arrijë gjithmonë rezultatet më të mira.

Përdorimi i detergjentit i cili nuk është i destinuar për përdorim në enëlarëset mund të shkaktojë ose të dëmtojë pajisjen.

TABELA E PROGRAMEVE

Programi	Faza e tharjes	ActiveDry	Opsionet e disponueshme *)	Kohëzgjatja e programit të larjes (o:min)**)	Konsumi i ujit (litra/cikël)	Konsumi i energjisë (kWh/cikël)
1. Eco	50°	✓		3:10	9,5	0,85
2. Auto Intensiv	65°	✓		2:00 - 3:10	14,0 - 17,0	1,50 - 1,85
3. Auto Përzierave	55°	✓		1:30 - 2:30	14,5 - 16,0	1,15 - 1,30
4. Auto Shpejtë	50°	-		0:55 - 1:20	13,0 - 14,5	1,15 - 1,25
5. Shpejtë 30'	50°	-		0:30	9,0	0,50
6. Dezinfektimi	65°	✓		1:40	10,0	1,30
7. Regjje	-	-		0:12	4,5	0,01

Të dhënat e programit ECO maten nën kushte laboratorike në përputhje me Standardin Evropian EN 60436:2020.

Shënimi për laboratorët e testimit:

Për informacionet rreth kushteve të testimit krahasues EN, ju lutemi të dërgoni një e-mail në adresën e mëposhtme:

dw_test_support@europeanappliances.com

Para përdorimit të një programi nuk është i nevojshëm trajtimi paraprak i enëve.

*) Jo të gjitha opsionet mund të përdoren njëkohësisht.

**) Vlerat e dhëna për programet përveç programit ECO janë vetëm me karakter tregues. Koha reale mund të variojë nga shumë faktorë siç janë temperatura dhe presioni i ujit, temperatura e dhomës, sasia e detergjentit, sasia dhe lloji i enëve, balancimi i ngarkesës, opsionet shtesë dhe kalibrimi i sensorit. Kalibrimi i sensorit mund të rrisë kohëzgjatjen e programit deri në 20 min.

PËRSHKRIMI I PROGRAMEVE

Udhëzimi për zgjedhjen e ciklit të larjes.

1 ECO

Programi Eco është i përshtatshëm për larjen e enëve mesatarisht të pista, dhe për këtë qëllim ky është programi më efikas nga pikëpamja e konsumit të energjisë dhe ujit dhe duhet të përdoret për vlerësimin e përputhshmërisë me rregullat e BE-së për dizajnin ekologjik.

2 AUTO INTENSIV

Program automatik për larjen e pjatave dhe tiganëve me papastërti të forta (të mos përdoret për sende delikate).

3 AUTO PËRZIERAVE

Program automatik për tiganët dhe enët normalisht të ndotura.

4 AUTO SHPEJTË

Program automatik për sasi të kufizuar enësh të ndotura normalisht. Siguroni performancë optimale pastrimi në kohë më të shkurtër.

5 SHPEJTË 30'

Ky program përdoret për gjysmën e ngarkesës së enëve pak të pista pa pjesë të mbetura të thara të ushqimit. Nuk ka fazën e tharjes.

6 DEZINFEKTIMI

Përdoret për enët me papastërti normale ose të fortë, me larës shtesë antibakterial. Mund të përdoret për mirëmbajtjen e pjatallarësës.

7 REGJJE

Përdoret për freskimin e enëve të cilat duhet të lahen. Mos përdorni detergjentin për këtë program.

Shënimet:

Kini parasysh se cikli *Shpejtë 30'* është i destinuar për enët pak të pista.

OPSIONET DHE FUNKSIONET

OPSIONET mund t'i zgjidhni drejtpërdrejt duke shtypur butonin përkatës (shihni PANELIN E KONTROLLIT).

Nëse një opzion nuk i përshtatet programit të zgjedhur (shihni TABELËN E PROGRAMEVE), drita përkatëse LED do të pulsojë shpejt 3 herë dhe do të dëgjohet një sinjal zanor. Opsioni nuk do të jetë i mundur.

3D ZONE WASH 3D


Ky opzion funksionon me një kosh njëherësh. Në mënyrë të veçantë, ju rekomandojmë a përdorni atë me cikle normale dhe intensive - falë spërkatësve shtesë 3D të ujit të vendosur në pjesën e poshtme të kazanit, opsioni ZONE WASH 3D ju mundëson të kurseni energji ose të rrisni rendimentin e larjes së enëlarësës:

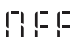
- 3D ZONE WASH + CIKLI PËRZIERAVE: mundëson reduktimin e konsumit të energjisë deri në 40%.
- 3D ZONE WASH + CIKLI INTENSIV: rrit rendimentin e larjes deri në 40%. Ideal për ngarkesat e përziera shumë të ndotura, si p.sh. tiganë dhe tenxhere me bisht, enë me kore të forta ose poçeri të vështira për t'u larë (rende, prerëse perimesh, takëme të ndotura).

Si ta aktivizoni këtë opzion:

1. Zgjidhni një cikël kompatibël.
2. Si parazgjedhje, pajisja lan enët në të gjitha raftet. Për të larë vetëm raftin specifik, shtypni këtë buton në mënyrë të përsëritur:

 shfaqet në ekran (vetëm rafti i poshtëm)

 shfaqet në ekran (vetëm rafti i sipërm)

 shfaqet në ekran (opsion është FIKUR dhe pajisja elektroshtëpiake i lan pjatat në të gjitha raftet).

Kujtohuni të vendosni enë vetëm në raftin e sipërm ose të poshtëm dhe të ulni sasinë e detergjentit në mënyrën përkatëse.

Nëse rafti i sipërm është hequr, ju të lutemi hidhni detergjentin direkt në vaskë dhe jo në dozator.

BLOKIMI I TASTIERËS

Nëse shtypni gjatë (për 3 sekonda) butonin ZONE WASH 3D, do të aktivizohet funksioni BLOKIMI I TASTIERËS. Funksioni BLOKIMI I TASTIERËS do të bllokojë panelin e kontrollit përveç butonit ON/OFF. Për të çaktivizuar BLOKIMIN E TASTIERËS, shtypni gjatë atë.

 **UJI NGA RUBINETI ËSHTË MBYLLUR - Alarm**
Pulson kur nuk ka furnizim me ujë ose është mbyllur rubineti.

SHORT TIME

Ky opzion mund të përdoret për shkurtime të kohëzgjatjes së programeve kryesore me përbajtjen e niveleve të njëjta të larjes dhe tharjes.

Pas keni zgjedhur programin, shtypni butonin SHORT TIME dhe drita e treguesit do të ndizet. Shtypni këtë buton për ta anuluar opsionin.

TABLET (Tab)

Ky parametër ju lejon të përshtatni performancën e programit sipas llojit të detergjentit të përdorur.

Shtypni butonin SHORT TIME për 3 sekonda (simboli përkatës ndizet) nëse përdorni detergjentët e kombinuar në formën e tabletit (shpëlarje, kripë dhe detergjent në 1 dozë).

Nëse përdorni detergjent pluhur ose të lëngshëm, ky opzion duhet të jetë i fikur.

NDEZJA ME VONESË

Fillimi i programit mund të shtyhet nga **0:30** deri në **24** orë.

1. Zgjidhni programin dhe secilin opzion të dëshiruar. Shtypni (disa herë) butonin NDEZJA ME VONESË për të shtyrë fillimin e programit. Mund të konfigurohet nga 0:30 deri 24 orë. Me çdo shtypje të butonit, ndezja me vonesë shtohet për: 0:30 nëse zgjedhja është nën 4 orë; 1:00 nëse zgjedhja është nën 12 orë, 4 orë nëse zgjedhja është mbi 12 orë. Nëse arrin 24 orë, dhe butoni është i shtypur, do të çaktivizohet ndezja me vonesë.
2. Shtypni butonin FILLIM/PUSHIM; kohëmatësi do të fillojë të numërojë;
3. Pasi të ketë kaluar koha, drita treguese fiket dhe programi fillon automatikisht.

Nëse shtypni përsëri gjatë numërimit butonin FILLIM/PUSHIM, opsioni NDEZJA ME VONESË do të anulohet dhe programi do të fillojë automatikisht.

Funksioni NDEZJA ME VONESË nuk mund të konfigurohet nëse është nisur programi.

KULLIM

Për të ndalur dhe anuluar ciklin aktiv, mund të përdorni funksionin KULLIM.

Nëse shtypni gjatë butonin FILLIM/PUSHIM, do të aktivizohet funksioni KULLIM. Programi aktiv do të ndalet dhe enëlarësja do të shkarkojë ujin.

ActiveDry

ActiveDry është sistemi i tharjes me konvektion i cili hap automatikisht derën gjatë/pas fazës së tharjes për të siguruar çdo ditë performancat e jashtëzakonshme të tharjes. Dera hapet në temperaturën e sigurt për mobilien tuaj në kuzhinë, kështu që nuk do të hapet kur është ndezur opsioni SHORT TIME.

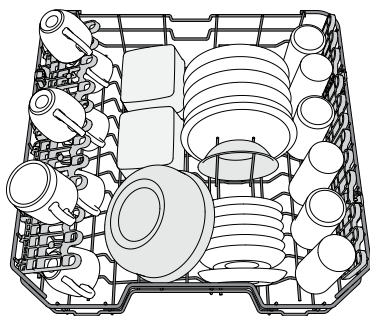
Si pjesë shtesë mbrojtëse nga avulli, fleta veçanërisht e dizajnuar i shtohet enëlarësës (varësisht nga lloji i modelit - ndoshta do të jetë e nevojshme që ta blini). Për të parë se si të montoni fletën mbrojtëse ju lutemi të shihni (UDHËZIMIN E INSTALIMIT).

Përdoruesi mund të çaktivizojë funksionin ActiveDry si më poshtë:

- PËR TA ÇAKTIVIZUAR: Ndizeni, dhe pastaj Fikeni. Shtypni dhe mbani të shtypur për 5 sekonda butonin **P**, në fund të sekondës së 5-të enëlarësja do të lëshojë një zë të shkurtër. Ndizni pajisjen, në ekran do të shfaqet "**oOFF**".
- PËR TA AKTIVIZUAR: Ndizni dhe pastaj fikni pajisjen. Shtypni dhe mbani të shtypur për 5 sekonda butonin **P**, në fund të sekondës së 5-të enëlarësja do të lëshojë një zë të shkurtër. Ndizni pajisjen, në ekran do të shfaqet "**oOn**".

NGARKIMI I RAFTEVE

RAFTI I SIPËRM



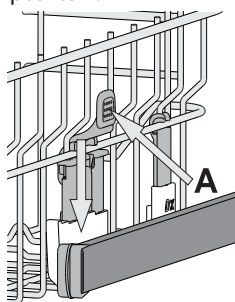
Vendosni enët delikate dhe të lehta: gotat, kupat, tabakatë, enët e cekëta për sallatë.

(shembulli i ngarkimit të raftit të sipërm)

RREGULLIMI I LARTËSISË SË RAFTIT TË SIPËRM

Lartësia e raftit të sipërm mund të rregullohet: pozita e lartë për vendosjen e enëve të mëdha në shportat e poshtme dhe pozita e ulët për përdorimin maksimal të mbajtësve lëvizës, duke krijuar më shumë hapësirë lart dhe duke shmangur përplasjen e enëve nga rafti i poshtëm.

Rafti i sipërm ka **Rregullimin e lartësisë** së raftit të sipërm (shihni imazhin), pa shtypur dorezat, ngrijeni atë duke mbajtur raftin nga një anë, sapo të vendoset rafti në mënyrë të qëndrueshme në pozitën më të lartë. Për ta kthyer në pozitën më të ulët, shtypni dorezat (**A**) të cilat gjenden në anët e raftit dhe lëvizni shportën poshtë.



Ju rekomandojmë që të mos rregulloni lartësinë e raftit të mbushur.

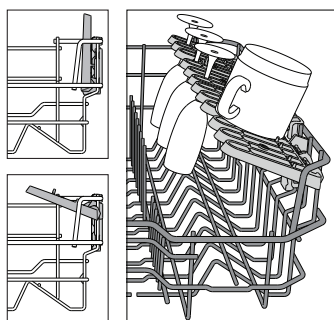
KURRË mos ngrini o zbritni shportën vetëm në një anë.

KRAHËT E PALOSSHËM ME POZITËN E RREGULLUESHME

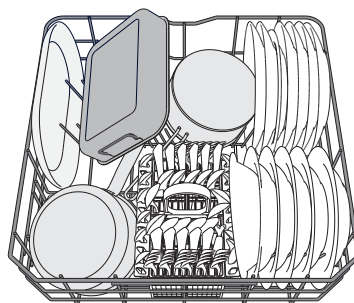
Krahët e palosshëm mund t'i palosni ose shpalosni dhe kështu mund

optimizoni vendosjen e enëve brenda raftit. Gotat e verës mund të vendosen në mënyrë të sigurt në krahët e palosshëm duke futur çdo gotë në vrimën përkatëse. Varësisht nga modeli:

- për të shpalosur krahët, duhet t'i shtypni lart dhe t'i rrotulloni ose t'i ndani nga mbajtësit dhe t'i zbritni poshtë.
- për të palosur krahët, duhet t'i rrotulloni dhe t'i shtypni poshtë ose lart, dhe t'i varni për mbajtësit.



RAFTI I POSHTËM

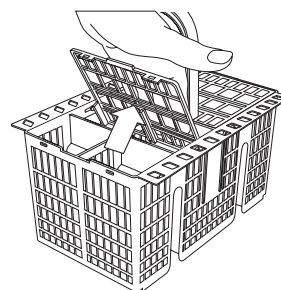


Për tenxheret, mbulesat, pjatat, enët për sallatë, pajisjet për ngrënie etj. Pjatat e mëdha dhe mbulesat duhet të vendosen në anë me qëllim që të shmangen pengesat me spërkatësit.

(shembulli i ngarkimit të raftit të poshtëm)

SHPORTA ME TAKËMIN PËR NGRËNIE

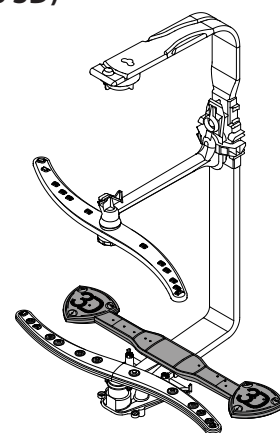
Kjo shportë është pajisur me grilat e sipërme për vendosjen më të mirë të takëmit për ngrënie. Vendosni takëmin për ngrënie vetëm në pjesën e përparme të raftit të poshtëm.



Thikat dhe pajisjet e tjera për ngrënie me majat e mprehta duhet të vendosen në shportën e takëmit për ngrënie me tehet e kthyer nga poshtë ose duhet të vendosen horizontalisht në ndarjet e raftit të sipërm.

ZONE WASH 3D (ZONA E LARJES 3D)

Zone Wash 3D përdor currila shtesë uji në pjesën e poshtme dhe në pjesën e sipërme të pjatararësës (të shënuar me ngjyrë portokalli), për të larë më intensivisht sendet të ndotura rëndë, duke e rritur nivelin e mbulimit të enëve me ujë. Shembull: Vendosni pjatat dhe tavat të drejtuara nga pjesa e poshtme të përbërësve të Zone Wash 3D dhe aktivizoni opsionin e Zone Wash 3D në panel.



PËRDORIMI I PËRDITSHËM

1. KONTROLLONI LIDHJEN ME RRJETIN E UJIT

Kontrolloni nëse është lidhur enëlarësja me ujësjellësin dhe nëse është hapur rubineti.

2. NDIZNI ENËLARËSEN

Shtypni butonin **ON/OFF**.

3. NGARKONI RAFTET

(shihni **NGARKIMIN I RAFTEVE**)

4. MBUSHJA E KUTISË SË DETERGJENTIT

5. ZGJIDHNI PROGRAMIN DHE KONFIGURONI CIKLIN

Zgjidhni programin më të përshtatshëm në përputhje me llojin e enëve dhe nivelin e papastërtisë (shihni **PËRSHKRIMIN E PROGRAMIT**) duke shtypur butonin **P**.

Zgjidhni opsionin e dëshiruar (shihni **OPSIONET DHE FUNKSIONET**).

6. FILLIM

Nisni ciklin e larjes duke shtypur butonin **FILLIM/PUSHIM**. Kur fillon programi, do të dëgjoni një sinjal zanor.

7. PËRFUNDIMI I CIKLIT TË LARJES

Pas përfundimit të ciklit të larjes do të dëgjohet një sinjal zanor dhe në ekran do të shfaqet **END** (Fund). Fikni pajisjen duke shtypur butonin **ON/OFF** dhe hapni derën.

Pritni disa minuta para se të nxirrni enët me qëllim që të shmangni djegjet. Zbrazni raftet, duke filluar nga rafti i poshtëm.

Enëlarësja do të fiket automatikisht gjatë periudhave të gjata të mospërdorimit me qëllim që të ulët konsumi i energjisë elektrike. Nëse enët janë vetëm pak të pista ose janë shpëlarë me ujë para se t'i vendosni në enëlarësen, ulni sasinë e detergjentit të përdorur.

NDRYSHIMI I PROGRAMIT AKTUAL

Nëse keni zgjedhur një program të gabuar, mund ta ndryshoni, me kusht që sapo ka filluar: shtypni dhe mbani të shtypur butonin **ON/OFF**, enëlarësja do të fiket. Ndizni përsëri enëlarësen duke shtypur butonin **ON/OFF** dhe zgjidhni ciklin e ri të larjes dhe opsionet e tjera të dëshiruara; nisni ciklin duke shtypur butonin **FILLIM/PUSHIM**.

SHTIMI I ENËVE SHITESË

Pa fikur enëlarësen, hapni derën (**kini kujdes nga avulli I NXEHTË!**) dhe vendosni enët në enëlarësen. Mbyllni derën dhe shtypni butonin **FILLIM/PUSHIM**, cikli do të vazhdojë nga momenti i ndërprerjes.

NDËRPRERJET E RASTËSISHTME

Nëse dera mbetet e hapur gjatë ciklit të larjes ose nëse ndodh një ndërprerje e energjisë elektrike, cikli do të ndalet. Pasi keni mbyllur derën ose është rivendosur furnizimi me energji elektrike, shtypni butonin **FILLIM/PUSHIM** për të nisur përsëri ciklin nga momenti i ndërprerjes.

Për të çaktivizuar regjimin **DEMO**, duhet të kryeni pa ndërprerje vepërimet e mëposhtme. Ndizni pajisjen dhe pastaj fikeni. Shtypni butonin **NDEZJA ME VONESË** derisa të dëgjoni zë sinjalizues. Ndizni përsëri pajisjen. Treguesi **"dOF"** pulson dhe fiket.

KËSHILLAT DHE REKOMANDIMET

REKOMANDIMET

Para se të ngarkoni shportat, hiqni të gjitha pjesët e mbetura të ushqimit nga enët dhe zbrazni gotat. Nuk ka nevojë që ta shpëlani paraprakisht me ujë të rrjedhshëm.

Vendosni enët në mënyrë që të qëndrojnë fort në vend dhe që të mos rrëshqasin; vendosni enët me vrimat e kthyer nga poshtë, vendosni pjerrtas pjesët e thelluara/dala, në mënyrë që uji të arrijë të gjitha sipërfaqet dhe të rrjedhë lirisht.

Paralajmërimi: mbulesat, dorezat, tabakatë dhe tiganët nuk parandalojnë rrotullimin e spërkatësve.

Vendosni të gjitha enët e vogla në shportën e takëmit për ngrënie.

Enët shumë të pista dhe tenxheret duhet t'i vendosni në shportën e poshtme sepse spërkatësit janë më të fortë në këtë pjesë dhe ofrojnë performanca më të mira të larjes.

Pasi keni ngarkuar pajisjen, kini kujdes që spërkatësit të rrotullohen lirisht.

ENËT E PAPËRSHTATSHME

- Enët dhe takëmi për ngrënie prej druri.
- Gotat dekorative delikate, zejtaritë artistike dhe enët antike. Dekorimi i tyre nuk është rezistent.
- Pjesët prej materiali sintetik nuk durojnë temperatura të larta.
- Enët prej bakri dhe kallaji.
- Enët e pista nga pluhuri, dylli, yndyra për lyerje ose boja e shkrimi. Ngjyrat e dekorimeve qelqore dhe pjesëve prej alumini/argjendi mund të ndryshohen dhe të zbehen gjatë procesit të larjes. Disa lloje të qelqit (psh. sendet prej kristali) mund të turbullohen pas një numri të caktuar të ciklave të larjes.

DËMTIMI I GOTAVE DHE ENËVE

- Përdorni vetëm gotat dhe enët prej porcelani për të cilat prodhuesi garanton se mund të lahen në enëlarësen.
- Përdorni një detergjent të butë për enët.
- Sapo të përfundohet cikli i larjes mblidhni gotat dhe enët nga enëlarësja.

KËSHILLAT PËR KURSIMIN E ENERGJISË

- Kur enëlarësja përdoret në përputhje me udhëzimet e prodhuesit, **larja e enëve në enëlarësen zakonisht konsumon më pak energji dhe ujë sesa larja me dorë.**
- Për të rritur efikasitetin e enëlarëses, ju rekomandojmë që të **nisni ciklin e larjes kur të ngarkohet plotësisht enëlarësja**. Ngarkimi i enëlarëses deri në kapacitetin e caktuar nga prodhuesi do të kontribuojë në kursimin e energjisë dhe ujit. Informacionet rreth ngarkimit të rregullt të enëve mund t'i gjeni në kapitullin **NGARKIMI I RAFTEVE**.

Në rast të ngarkimit të pjesshëm, rekomandohet përdorimi i opsionit të përshtatshëm të larjes, nëse ekzistojnë (Half load/Zone Wash/Multizone), duke ngarkuar vetëm raftet e zgjedhura. Ngarkimi i parregullt ose mbingarkimi i enëlarëses mund të rrisë konsumin e resurseve (siç janë ujë, energji elektrike dhe kohë, si edhe nivelin e zhurmës), duke ulur performancat e pastrimit dhe tharjes.

- Shpëlarja paraprake me dorë e enëve shkakton konsumin e shtuar të ujit dhe energjisë elektrike dhe nuk rekomandohet.

HIGJIENA

Për të shmangur krijimin e aromave të pakëndshme dhe depozitave në enëlarësen, **ndizni të paktën një herë në muaj programin me temperaturën e lartë**. Përdorni një lugë çaji të detergjentit dhe ndizni programin pa vendosur enët për të pastruar pajisjen.

KUJDESI DHE MIRËMBAJTJA

PASTRIMI I SISTEMIT TË FILTRAVE

Pastroni rregullisht filtrat që të mos bllokohen dhe që ujërat e zeza të shkarkohen në mënyrë të rregullt.

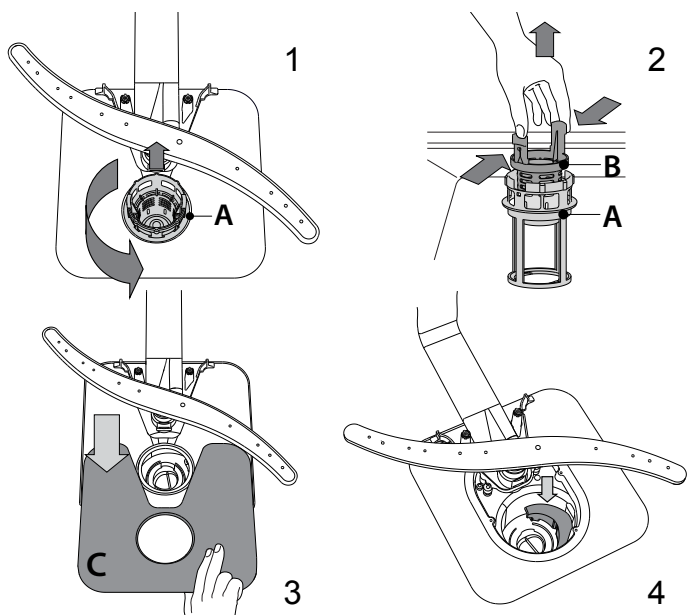
Përdorimi i enëlarësës me filtrat e bllokuar ose sendet e huaja brenda sistemit të filtrimit ose spërkatësve mund të shkaktojë prishjen e pajisjes dhe të rezultojë me humbjen e performancave, punën e zhurmshme ose konsumin më të lartë të resurseve.

Sistemi i filtrave përbëhet prej tre filtrash të cilët heqin pjesët e mbetura të ushqimit nga uji për larje dhe mundësojnë riqarkullimin e ujit.

Enëlarësja nuk duhet të përdoret pa filtra ose në raste kur filtri është i lirshëm.

Kontrolloni sistemin e filtrave të paktën një herë në muaj ose pas çdo 30 ciklave, dhe nëse ka nevojë pastrojeni atë hollësisht me ujë, duke përdorur furçën jometalike dhe duke ndjekur udhëzimet e mëposhtme:

1. Rrotulloni filtrin cilindrik **A** në drejtim të kundërt të akrepave të sahatit dhe nxirreni jashtë atë (imazhi 1).
2. Hiqni filtrin konik **B** duke shtypur lehtë krahët anësorë (imazhi 2).
3. Nxirrni filtrin e sheshtë prej çeliku të pandryshkshëm **C** (imazhi 3).
4. Nëse gjeni ndonjë send të huaj (siç janë qelq i thyer, porcelan, kocka, fara frutash etj.) **hiqini ata me kujdes**.
5. Kontrolloni filtrat dhe hiqni të gjitha pjesët e mbetura të ushqimit. **KURRË MOS HIQNI** mbrojtjen e pompës për ciklin e larjes (pjesa e zezë) (imazhi 4).



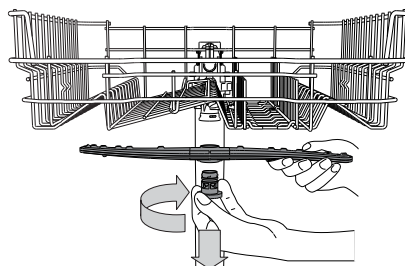
Pas pastrimit të filtrit, rivendosni filtrat dhe shtrëngojeni në mënyrë të rregullt; kjo është e nevojshme për punën e efikasë të enëlarësës.

PASTRIMI I ZORRËS SË FURNIZIMIT ME UJË

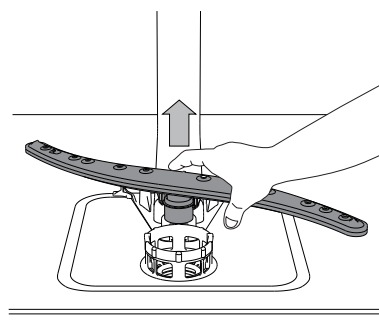
Nëse zorrët e ujit janë të reja ose nuk janë përdorur për një periudhë të gjatë, lini që uji të kalojë nëpër to me qëllim që të siguroheni se janë të pastra dhe të pastrohen nga papastërtitë para se të lidhen. Nëse nuk bëni këtë masë paraprake, furnizimi me ujë mund të bllokohet dhe të dëmtojë enëlarësën.

PASTRIMI I SPËRKATËSVE

Kohë pas kohe, pjesët e mbetura të ushqimit mund të thahen në spërkatësit dhe në këtë mënyrë bllokohen vrimat që përdoren për spërkatjen e ujit. Prandaj ju rekomandojmë që të kontrolloni periodikisht spërkatësit dhe t'i pastroni me një furçë të vogël jometalike.



Për të hequr spërkatësin e sipërm, rrotulloni unazën plastike bllokuese në drejtim të kundërt të akrepave të sahatit. Spërkatësi i sipërm duhet të zëvendësohet në mënyrë që ana me më shumë vrima të kthehet nga lart.



Mund të hiqni spërkatësin e poshtëm duke e tërhequr lart.

SISTEMI I ZBUTJES SË UJIT

Zbutësi i ujit ul automatikisht fortësinë e ujit duke parandaluar grumbullimin e gëlqeres në ngrohësin, dhe gjithashtu kontribuon në efikasitetin më të mirë të pastrimit.

Ky sistem vetë-rigjenerohet me kripë, dhe prandaj duhet të mbushni kutinë e kripës kur është e zbrazët.




Shpeshësia e rigjenerimit varet nga konfigurimi i nivelit të fortësisë së ujit. Rigjenerimi zhvillohet njëherë në 6 cikla Eco me nivelin e konfiguruar të fortësisë së ujit në 3.

Procesi i rigjenerimit fillon në shpëlarjen përfundimtare dhe përfundon në fazën e tharjes, para se të përfundojë ciklin.

- Rigjenerimi individual i konsumon: ~3.5L ujë;
- Nevojiten deri 5 minuta shtesë për ciklin;
- Konsumon nën 0.005 kWh energji.

ZGJIDHJA E PROBLEMIT

Nëse enëlarësja juaj nuk punon në mënyrë të rregullt, kontrolloni nëse mund të zgjidhni problemin me anë të listës së mëposhtme. Për gabimet ose problemet e tjera kontaktoni shërbimin e autorizuar të shitjes detajet e kontaktit të të cilit mund t'i gjeni në librezën e garancisë. Pjesët rezervë do të jenë në dispozicion për një periudhë nga 7 deri 10 vjet, në përputhje me Kërkesat rregulluese.

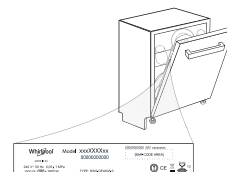
PROBLEMET	SHKAQET E MUNDURA	ZGJIDHJET
 Treguesi i kripës është nderur.	Kutia e kripës është e zbrazët. (Pas rimbushjes, treguesi i kripës mund të mbetet i nderur gjatë disa ciklave të larjes).	Rimbushni kutinë e kripës (për më shumë informacione shihni faqen 2). Konfigurimi i fortësisë së uji - shihni tabelën në faqen 2.
 Treguesi i mjetit për shpëlarje është nderur.	Kutia e mjetit për shpëlarje është e zbrazët. (Pas rimbushjes, treguesi i mjetit për shpëlarje mund të mbetet i nderur gjatë disa ciklave të larjes).	Rimbushni kutinë e kripës (për më shumë informacione shihni faqen 2).
Enëlarësja nuk do të fillojë të punojë ose nuk reagon ndaj komandave.	Pajisja nuk është lidhur mirë në furnizimin me energji elektrike.	Vendosni kabllon elektrike në prizën elektrike.
	Nuk ka energji elektrike.	Për arsye sigurie, enëlarësja nuk do të fillojë të punojë automatikisht pas rikthimit të energjisë elektrike. Hapni derën e enëlarësës, shtypni butonin FILLIM/Pushim dhe mbyllni derën përsëri brenda 4 sekondave.
	Dera e enëlarësës nuk është mbyllur.	Shtypni fort derën derisa të dëgjohet një tingull "klik"
	Cikli ndërpritet kur dera hapet për më shumë se 4 sekonda.	Shtypni butonin FILLIM/Pushim dhe mbyllni derën përsëri brenda 4 sekondave.
	Nuk reagon ndaj komandave. Ekrani tregon: F9 ose F12 dhe të dyjat dritat LED On/Off dhe FILLIM/Pushim pulsojnë shpejt.	Fikni pajisjen duke shtypur butonin ON/OFF, ndizeni përsëri atë pas një minute dhe rivendosni programin. Nëse problemi vazhdon, nxirrni kabllon elektrike për 1 minutë, dhe pastaj lidheni përsëri.
Uji nuk rrjedh nga enëlarësja. Ekrani tregon: F3 dhe të dyjat dritat LED On/Off dhe FILLIM/Pushim pulsojnë shpejt.	Cikli i larjes nuk ka përfunduar ende.	Pritni që të përfundojë cikli i larjes.
	Zorra e kullimit është përthyer.	Kontrolloni nëse është përthyer zorra e kullimit (<i>shihni UDHËZIMET E INSTALIMIT</i>).
	Zorra e kullimit të lavamanit është bllokuar.	Pastroni zorrën e kullimit të lavamanit.
	Filtri është bllokuar me pjesët e mbetura të ushqimit.	Pastroni filtrin (<i>shihni PASTRIMIN E SISTEMIT TË FILTRAVE</i>).
Enëlarësja bën zhurmë të jashtëzakonshme.	Enët përplasen njëri me tjetrin.	Ndani enët në mënyrë të rregullt (<i>shihni NGARKIMIN E RAFTEVE</i>).
	Krijohet shumë shkumë.	Detergjenti nuk është matur mirë ose nuk është i përshtatshëm për përdorim në enëlarësen (<i>shihni MBUSHJA E KUTISË SË DETERGJENTIT</i>). Rivendosni enëlarësen duke shtypur butonin KULLIM (<i>shihni OPSIONET DHE FUNKSIONET</i>) dhe nisni programin e ri pa detergjent.
Enët nuk janë të pastra.	Enët nuk janë vendosur në mënyrë të rregullt.	Ndani enët në mënyrë të rregullt (<i>shihni NGARKIMIN E RAFTEVE</i>).
	Spërkatësit nuk mund të rrotullohen lirisht sepse i pengojnë enët.	Ndani enët në mënyrë të rregullt (<i>shihni NGARKIMIN E RAFTEVE</i>).
	Ciki i larjes është shumë i butë.	Zgjidhni ciklin përkatës të larjes (<i>shihni TABELËN E PROGRAMEVE</i>).
	Krijohet shumë shkumë.	Detergjenti nuk është matur mirë ose nuk është i përshtatshëm për përdorim në enëlarësen (<i>shihni MBUSHJA E KUTISË SË DETERGJENTIT</i>).
	Nuk është mbyllur mirë kapaku në kutinë e mjetit për shpëlarje .	Kini kujdes që të mbyllet kapaku i kutisë së mjetit për shpëlarje.
	Filtri është i pistë ose i bllokuar.	Pastroni sistemin e filtrave (<i>shihni KUJDESI DHE MIRËMBAJTJA</i>).
Nuk ka kripë.	Mbushni kutinë e kripës (<i>shihni MBUSHJA E KUTISË SË KRIPËS</i>).	
Enëlarësja nuk merr ujin. Ekran tregon:  dhe F6 të dyjat dritat LED On/Off dhe FILLIM/Pushim pulsojnë shpejt.	Nuk ka ujë në sistemin e furnizimit me ujë ose është mbyllur rubineti.	Kini kujdes që të ketë ujë në sistemin e furnizimit me ujë ose që rubineti të jetë i hapur.
	Zorra e furnizimit me ujë është përthyer.	Kini kujdes që zorra e furnizimit me ujë të mos përthyeret (<i>shihni INSTALIMIN</i>), konfiguroni përsëri programin dhe ndizni enëlarësen.
	Sita në zorrën e furnizimit me ujë është bllokuar; duhet të pastrohet.	Pasi keni bërë kontrollimin dhe pastrimin, fikni dhe ndizni enëlarësen dhe nisni përsëri programin e ri.
Enëlarësja mbaron shumë herët ciklin. Ekran tregon: F15 dhe të dyjat dritat LED On/Off dhe FILLIM/Pushim pulsojnë shpejt.	Zorra e kullimit është vendosur shumë ulët ose sifonimi shkon në sistemin e kanalizimit të shtëpisë.	Kontrolloni nëse fundi i zorrës së kullimit është vendosur në lartësinë e duhur (<i>shihni INSTALIMIN</i>). Kontrolloni nëse sifonimi shkon në sistemin e kanalizimit të shtëpisë, nëse ka nevojë instaloni ventilin për furnizimin me ajër.
	Ajër në furnizimin me ujë.	Kontrolloni nëse furnizimi me ujë rrjedh ose problemet e tjera lënë ajrin brenda.
Rrjedhja e detergjentit.	Varet nga lloji i detergjentit të lëngshëm që përdoret dhe mund të theksohet nëse aktivizohet opsioni i vonimit.	Rrjedhjet e vogla nuk çojnë në keqfunksionimin e makinës. Ato mund të shmangen duke ndryshuar llojin e detergjentit të lëngshëm ose duke përdorur tableta.

Udhëzimet, dokumentacionet standarde dhe informacionet shtesë mund të gjenden:

- Përdorimi i kodit QR në produktin tuaj.
- Në faqen tonë të internetit docs.hotpoint.eu dhe parts-selfservice.europeanappliances.com
- Gjithashtu, mund të kontaktoni shërbimin tonë të shitjes (numri telefonik gjendet në librezën e garancisë). Kur kontaktoni shërbimin tonë të shitjes për klientët, ju lutemi të lexoni shifrat të cilat gjenden në pllakëzën identifikuese të produktit tuaj.

Informacionet rreth modelit mund t'i shkarkoni duke përdorur kodin QR të shkruar në shenjën energjetike.

Shenja përfshin edhe identifikuesin e modelit që mund të përdoret për kontrollimin e regjistrimit në portalin, në adresën <https://eprel.ec.europa.eu>.



400020016906

11/2024 jk - Xerox Fabriano

