

## SAFETY INSTRUCTIONS

Download the complete instruction manual on <http://docs.hotpoint.eu> or call the phone number shown on the warranty booklet.

Before using the appliance, read these safety instructions. Keep them nearby for future reference.

These instructions and the appliance itself provide important safety warnings, to be observed at all times. The manufacturer declines any liability for failure to observe these safety instructions, for inappropriate use of the appliance or incorrect setting of controls.

⚠ **WARNING:** If the hob surface is cracked, do not use the appliance - risk of electric shock.

⚠ **WARNING:** Danger of fire: Do not store items on the cooking surfaces.

⚠ **CAUTION:** The cooking process has to be supervised. A short cooking process has to be supervised continuously.

⚠ **WARNING:** Unattended cooking on a hob with fat or oil can be dangerous - risk of fire. NEVER try to extinguish a fire with water: instead, switch off the appliance and then cover flame e.g. with a lid or a fire blanket.

⚠ Do not use the hob as a work surface or support. Keep clothes or other flammable materials away from the appliance, until all the components have cooled down completely - risk of fire.

⚠ Very young children (0-3 years) should be kept away from the appliance. Young children (3-8 years) should be kept away from the appliance unless continuously supervised. Children from 8 years old and above and persons with reduced physical, sensory or mental capabilities or lack of experience and knowledge can use this appliance only if they are supervised or have been given instructions on safe use and understand the hazards involved. Children must not play with the appliance. Cleaning and user maintenance must not be carried out by children without supervision.

⚠ **WARNING:** The appliance and its accessible parts become hot during use. Care should be taken to avoid touching heating elements. Children less than 8 years of age shall be kept away unless continuously supervised.

### PERMITTED USE

⚠ **CAUTION:** the appliance is not intended to be operated by means of an external switching device, such as a timer, or separate remote controlled system.

⚠ This appliance is intended to be used in household and similar applications such as: staff kitchen areas in shops, offices and other working environments; farm houses; by clients in hotels, motels, bed & breakfast and other residential environments.

⚠ No other use is permitted (e.g. heating rooms).

⚠ This appliance is not for professional use. Do not use the appliance outdoors.

### INSTALLATION

⚠ The appliance must be handled and installed by two or more persons - risk of injury. Use protective gloves to unpack and install - risk of cuts.

## IMPORTANT TO BE READ AND OBSERVED

⚠ Installation, including water supply (if any), electrical connections and repairs must be carried out by a qualified technician. Do not repair or replace any part of the appliance unless specifically stated in the user manual. Keep children away from the installation site. After unpacking the appliance, make sure that it has not been damaged during transport. In the event of problems, contact the dealer or your nearest After-sales Service. Once installed, packaging waste (plastic, styrofoam parts etc.) must be stored out of reach of children - risk of suffocation. The appliance must be disconnected from the power supply before any installation operation - risk of electric shock. During installation, make sure the appliance does not damage the power cable - risk of fire or electric shock. Only activate the appliance when the installation has been completed.

⚠ Carry out all cabinet cutting operations before fitting the appliance and remove all wood chips and sawdust.

⚠ If the appliance is not installed above an oven, a separator panel (not included) must be installed in the compartment under the appliance.

### ELECTRICAL WARNINGS

⚠ It must be possible to disconnect the appliance from the power supply by unplugging it if plug is accessible, or by a multi-pole switch installed upstream of the socket in accordance with the wiring rules and the appliance must be earthed in conformity with national electrical safety standards.

⚠ Do not use extension leads, multiple sockets or adapters. The electrical components must not be accessible to the user after installation. Do not use the appliance when you are wet or barefoot. Do not operate this appliance if it has a damaged power cable or plug, if it is not working properly, or if it has been damaged or dropped.

⚠ Installation using a power cable plug is not allowed unless the product is already equipped with the one provided by the Manufacturer.


⚠ If the supply cord is damaged, it must be replaced with an identical one by the manufacturer, its service agent or similarly qualified persons in order to avoid a hazard - risk of electric shock.

### CLEANING AND MAINTENANCE

⚠ **WARNING:** Ensure that the appliance is switched off and disconnected from the power supply before performing any maintenance operation; never use steam cleaning equipment - risk of electric shock.

⚠ Do not use abrasive or corrosive products, chlorine-based cleaners or pan scourers.

### DISPOSAL OF PACKAGING MATERIALS

The packaging material is 100% recyclable and is marked with the recycle symbol .

The various parts of the packaging must therefore be disposed of responsibly and in full compliance with local authority regulations governing waste disposal.


### DISPOSAL OF HOUSEHOLD APPLIANCES

This appliance is manufactured with recyclable or reusable materials. Dispose of it in accordance with local waste disposal regulations. For further information on the treatment, recovery and recycling of household electrical

---

appliances, contact your local authority, the collection service for household waste or the store where you purchased the appliance. This appliance is marked in compliance with European Directive 2012/19/EU, Waste Electrical and Electronic Equipment (WEEE) and with the Waste Electrical and Electronic Equipment regulations 2013 (as amended).

By ensuring this product is disposed of correctly, you will help prevent negative consequences for the environment and human health.

The symbol  on the product or on the accompanying documentation indicates that it should not be treated as domestic waste but must be taken to an appropriate collection center for the recycling of electrical and electronic equipment.

### **ENERGY SAVING TIPS**

Make the most of your hot plate's residual heat by switching it off a few minutes before you finish cooking.

The base of your pot or pan should cover the hot plate completely; a container that is smaller than the hot plate will cause energy to be wasted.

Cover your pots and pans with tight-fitting lids while cooking and use as little water as possible. Cooking with the lid off will greatly increase energy consumption.

**Use only flat-bottomed pots and pans.**

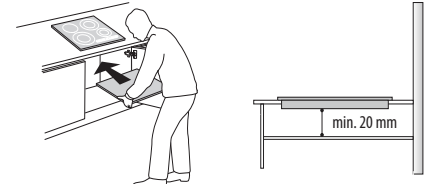
### **DECLARATION OF CONFORMITY**

This appliance meets Ecodesign requirements of European Regulation 66/2014 and The Ecodesign for Energy-Related Products and Energy Information (Amendment) (EU Exit) Regulations 2019 in compliance with the European standard EN 60350-2.



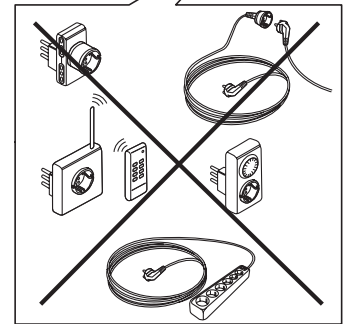
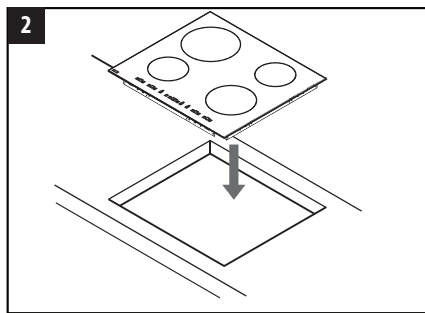
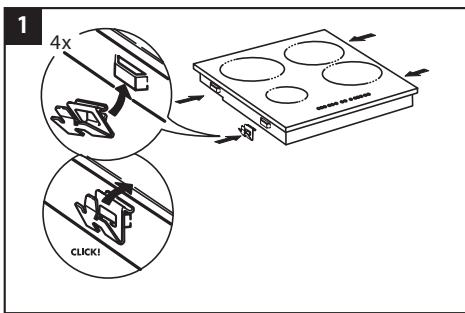
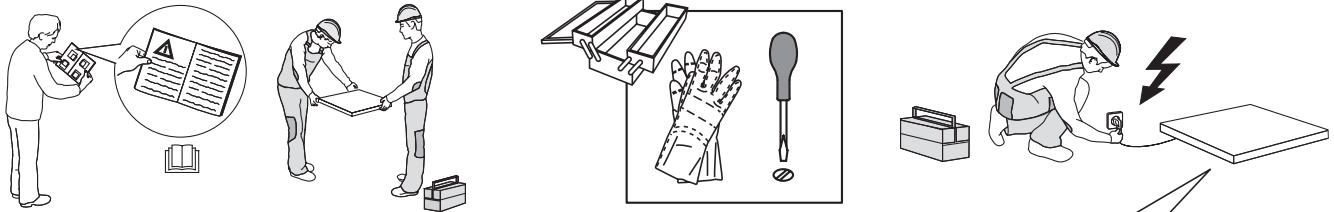
# INSTALLATION

- The cooktop must be set into a worktop at least 20 mm deep.
- There must be nothing between the cooktop and the oven (cross rails, brackets, etc.).
- Make sure the power cord is long enough to allow convenient installation.
- The distance between the lower face of the glass ceramic hob and the cupboard or separating panel must be at least 20 mm.
- For built-in dimensions and installation see the picture in this paragraph.
- A minimum distance must be maintained between the hob and the hood above it. Please refer to the user manual of the hood for more informations.
- Apply the supplied gasket to the cooktop (unless it has already been fitted), after having cleaned its surface.
- **Do not install the cooktop near a dishwasher or washing machine, so that the electronic circuits do not come into contact with steam or moisture, which could damage them.**
- If an oven (from our range of ovens) is installed beneath the cooktop, make sure that it is equipped with a cooling system. If the temperature of the electronic circuits exceeds the maximum permitted temperature, the cooktop will switch off automatically; in this case, wait for a few minutes until the internal temperature of the electronic circuits reaches a tolerable level, at which point it will be possible to switch the hob on again.

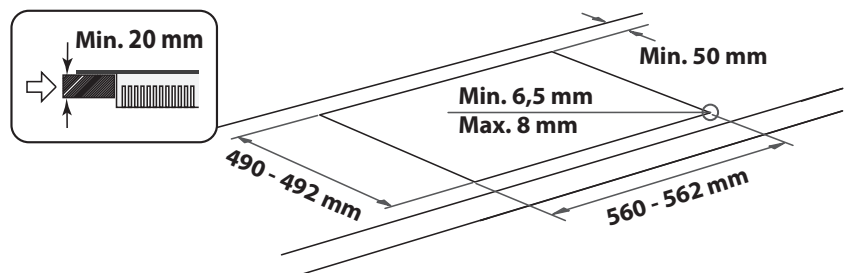
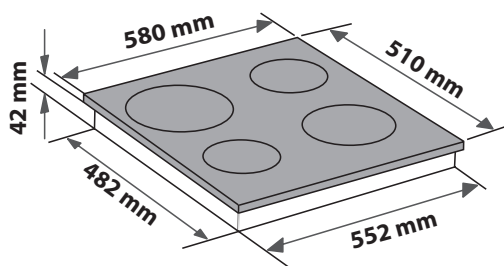
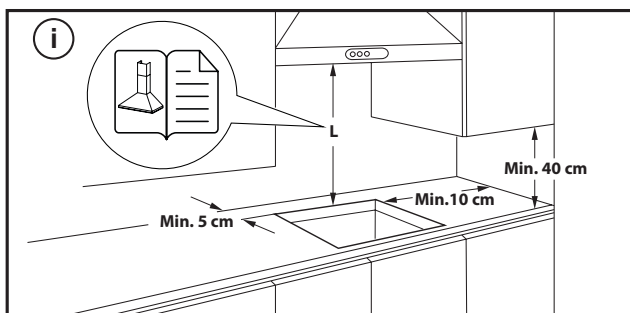


## PLACING THE HOB

After the electrical connection (see the chapter "Electrical connection"). Position each fixing clips on the dedicated slots on the lateral sides of the hob as shown in the picture. Then push the hob inside the cut out and check that the glass is flat and parallel to the worktop. The fixing clips are designed for every type of worktop material (wood, marble, etc).



## DIMENSIONS AND DISTANCES TO BE MAINTAINED



## REMOVING THE HOB:

To remove the hob, first, disconnect it from the electric supply. It is strongly recommended to free the underneath part from the oven, drawer, separator, or other. It allows the technician to access the lower part of the hob to unfasten the four clips with a screwdriver, lift the hob and remove it, avoiding any worktop damage.

## ELECTRICAL CONNECTION

Electrical connection must be made before connecting the appliance to the electricity supply.

The power cord is not included in the package - remember to prepare your own power cord.

Installation must be carried out by qualified personnel who know the current safety and installation regulations. Specifically, installation must be carried out in compliance with the regulations of the local electricity supply company.

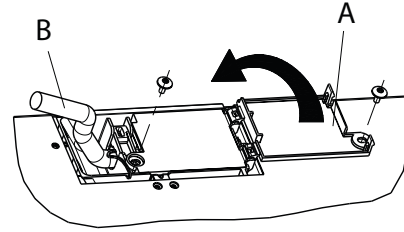
Make sure the voltage specified on the data plate located on the bottom of the appliance is the same as that of the home.

Regulations require that the appliance be earthed: use conductors (including the earth conductor) of the appropriate size only.

### CONNECTION TO THE TERMINAL BLOCK

For the electrical connection, use an H05RR-F or H05V2V2-F cable as specified in the table below.

SUPPLY VOLTAGE	CONDUCTORS AMOUNT x SIZE
220-240V ~+ ⊕	3 x 4 mm <sup>2</sup>
230-240V ~+ ⊕	3 x 4 mm <sup>2</sup> (Australia only)
220-240V 3~+ ⊕	4 x 1,5 mm <sup>2</sup>
380-415V 3N~+ ⊕	5 x 1,5 mm <sup>2</sup>
380-425V 2N~+ ⊕	4 x 1,5 mm <sup>2</sup>



**The appliance must be connected to the electricity supply by means of an all-pole disconnect switch with minimum contact gap of 3 mm.**

**ATTENTION:** the power supply cable must be long enough to allow the cooktop to be removed from the worktop and must be positioned so as to avoid damage or overheating caused by contact with the base.

**NOTE:** the yellow/green earth wire must be connected to the terminal with the symbol ⊕ and must be longer than the other wires.

- Remove approx. 70 mm of the cable sheath from the power supply cable (B).
- Strip approx. 10 mm of sheath from the wires. Then insert the power supply cable into the cable clamp and connect the wires to the terminal block as indicated in the connection diagram placed close to the terminal block itself.
- Secure the power supply cable (B) by means of the cable clamp.
- Close the terminal board with the cover (A) securing it with the screw provided.
- After the electrical connection, fit the hob from the top and hook it to the support springs, according to the illustration.



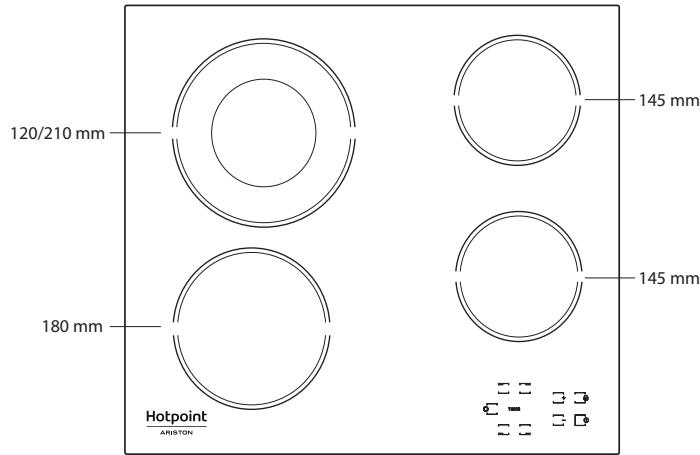
**THANK YOU FOR BUYING A WHIRLPOOL PRODUCT**  
In order to receive a more complete assistance, please register your product on [www.hotpoint.eu/register](http://www.hotpoint.eu/register).

**PLEASE SCAN THE QR CODE ON YOUR APPLIANCE IN ORDER TO REACH MORE INFORMATION**

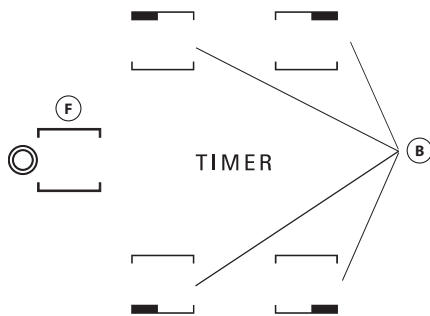


**Before using the appliance carefully read the Safety Instruction.**

## PRODUCT DESCRIPTION



## CONTROL PANEL



- A** On/Off
- B** Cooking zone and timer selection
- C-E** Heat setting increase and decrease
- D** Key lock
- F** Multiple zone Activation / Deactivation

## FIRST TIME USE

Upon the first installation, the control panel performs a functional test for about 1 second, after which it automatically switches to the "Key lock" function.

To deactivate the function, press and hold button "D"; an acoustic signal will sound, and the corresponding led will turn off.

**NOTE:** If a reset occurs, repeat the procedure described above.

## DAILY USE

### 1 SWITCHING THE HOB ON/OFF

To switch the hob on, keep button "A" pressed for approx. 2 seconds. The 4 cooking zone displays show "0". If within 20 seconds none of the cooking zones is activated, the hob switches off automatically as a safety precaution.

### SWITCHING ON AND ADJUSTING COOKING ZONES

Press one of the buttons "B" corresponding to the cooking zone you intend to use. Select the heat setting required with buttons "E" or "C". The other selectable cooking settings go from 1 to 9. Press buttons "+/-" at the same time to cancel all settings.

**IMPORTANT:** the control is deactivated 10 seconds after the heat setting has been selected.

To change the heat setting, first press the selection button "B" again, then proceed to change the setting, using buttons "E" or "C".

### 2 MULTIPLE ZONE

After selecting the desired zone and setting the level (as described in the previous section) press "F": an indicator above the button turns on, activating the additional zone.

The multiple zone can only be used if:

- The cooking zone is provided with multiple zone;
- The power level selected is greater than 0.

To deactivate the multiple zone, press button "B" of the desired zone, then press "F" again.

### TIMER

To set the Timer function, select the desired cooking zone and power setting then press the cooking zone key again and a luminous dot will appear on the display of the timer-controlled cooking zone. The indication "00" blinks on the 2 displays. Press buttons "C" or "E" to set the time from 1 to 99.

**IMPORTANT:** after 10 seconds the timer displays will show the power setting of the other cooking zones.  
To view the remaining cooking time, press the timer-controlled cooking zone key twice.

### A FUNCTION

This function allows to automatically decrease the cooking zone power level from the highest value (level 9) to the one selected by the user for a later stage of cooking.

To activate this function first press the “+” button when level 9 is reached. The display shows “A” and “9” flashes alternately with low brightness. At this point, choose the desired power level (less than 9) with the “-” button. “A” and selected level flash alternately with low brightness on the display. The function is activated once “A” and the selected level flash alternately with high brightness on the display.

Once “A” is no longer visible on the display (the “A” function switches off automatically after several minutes, depending on the set power level), the cooking process continues with lower power and the display shows only the selected power level.

**N.B.:** this function is not possible with level 9.



### KEY LOCK

The Key lock function is switched on by holding down button “D” until a dot lights up above the function button. The control panel is locked except for the switching-off function. The function remains on even after the hob is switched off and on again and can be deactivated by pressing button “D” again until the dot above the function button goes off.

When the hob is off with the key lock activated to switch the hob on, first deactivate the key lock function by pressing button “D” again until the dot above the function button goes off.

The presence of water, liquid spilled from pots or any objects resting on the controls can accidentally activate or deactivate the Key lock function.



### RESIDUAL HEAT INDICATOR

When the cooking zone is switched off, the residual heat indicator “H” remains on or flashes alternating with “0” until the temperature of the hob returns within safety levels.

**IMPORTANT:** The hob’s safety features include an automatic switching off function. Prolonged use of the same heat setting triggers automatic switch-off of the cooking zone (for example, after around 1 hour at maximum heat setting, the cooking zone switches off).

**IMPORTANT:** To avoid a permanent damage the hob:

- do not use pots with bottoms that are not flat;
- do not use metal pots with enamelled bottom;
- do not place hot pots/pans over the control panel.

The hob is also equipped with the “auto shut off” function that switches off the cooking zone if no power level modification is done after a specific time frame depending on the power setting itself. In the table, there is the time duration of each power level.

POWER LEVEL	AUTO SHUT OFF TIME
0	30 seconds
1	10 hours
2	5 hours
3	5 hours
4	4 hours
5	3 hours
6	2 hours
7	2 hours
8	2 hours
9	1 hour

## COOKING TABLE

POWER LEVEL		TYPE OF COOKING	LEVEL USE (indicating cooking experience and habits)
<b>Maximum power</b>	9	Boiling	Ideal for rapidly increasing the food temperature to fast boiling in the case of water or rapidly heating cooking liquids.
	9 – 8	Searing	Ideal for browning, starting to cook, frying frozen products, fast boiling.
<b>High power</b>	8 – 7	Browning – maintain boiling – grilling	Ideal for browning, maintaining a high boil, cooking, and grilling (short duration, 5-10 minutes).
	7 – 6	Frying – cooking – grilling	Ideal for maintaining a low boil, cooking and grilling (medium duration, 10-20 minutes), preheating, and frying.
<b>Medium power</b>	6 – 5	Gentle frying	Ideal for frying eggs, omelettes.
	5 – 4	Cooking – simmering – stewing	Ideal for prolonged cooking (rice, sauces, roasts, fish) with liquids (e.g., water, wine, broth, milk), creaming pasta.
	4 – 3	Thickening – creaming pasta	
<b>Low power</b>	2 – 1	Keeping food hot – creaming risottos	Ideal for keeping just-cooked food hot (e.g., sauces, soups, minestrone), creaming risottos and keeping serving dishes warm.
<b>Minimum power</b>	1	Defrosting	Ideal for defrosting small products and gently melting chocolate or butter.
<b>Zero power</b>	0	–	Hob in stand-by or off mode (possible end of cooking residual heat, indicated by an “H”).

## CLEANING AND MAINTENANCE

### Disconnect the appliance from the power supply.

- Do not use steam cleaning equipment.
- Do not use abrasive sponges or scouring pads as they may damage the glass.
- After each use, clean the hob (when it is cool) to remove any deposits and stains from food residue.

- Sugar or foods with a high sugar content can damage the hob and must be immediately removed.
- Salt, sugar and sand could scratch the glass surface.
- Use a soft cloth, absorbent kitchen paper or a specific hob cleaner (follow the Manufacturer's instructions).
- Spills of liquid in the cooking zones can cause the pots to move or vibrate.
- After cleaning the hob, dry thoroughly.

## TROUBLESHOOTING

If the hob does not operate correctly, before calling the After-Sales Service, refer to the Troubleshooting Guide to determine the problem.

- Read and follow the instructions given in the section "Daily use".
- Check that the electricity supply has not been shut off.
- Dry the hob thoroughly after cleaning it.
- If a cooking zone has been selected and an "F" or an "ER" appear on the display followed by a number, contact the After Sales Service and inform them.
- If the error code is "F03", "ER03" or "E02", try to solve it by following these instructions:
  - If the error "E02" appears, please make sure you haven't been pressing buttons for more than 5 seconds, no object is on the HMI area and that it's clean and dry - when cleaning, please follow the "Cleaning and Maintenance" paragraph.
  - If the error "F03" appears, try turning the cooktop off and on again.
  - If the error "F04" appears, contact After Sales Service and let them know which code is displayed.

- If the hob does not work following intensive use, the hob internal temperature is too high. Wait a few minutes until the hob cools down.
- If the heater is not continuously on but switches on and off cyclically even if on the display the power level does not change, this is part of the normal functioning of the hob. The on/off cycle allows the power regulation of the heater and is completely normal. In some cases, thermal protection could switch off the heater for some time to avoid glass damage. Examples of such cases are: cooking a long time at a high power level, using pots smaller than the heating element, and not flat-bottomed pots.
- If the hob is emitting a brief sound without the customer pressing any buttons, please take care of any liquid spills on the HMI. Please dry the HMI and continue using the hob. If the hob has been switched off automatically, it can be caused by a liquid presence on HMI. Please dry the HMI and switch the hob back on.

If after the above checks the fault still occurs, get in touch with the nearest After Sales Service.

## AFTER-SALES SERVICE

To receive a more complete assistance, please register your product on [www.hotpoint.eu/register](http://www.hotpoint.eu/register).

### BEFORE CALLING THE AFTER-SALES SERVICE:

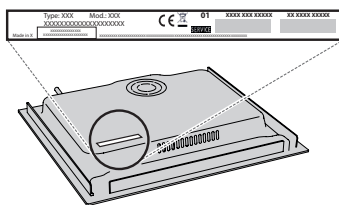
1. See if you can solve the problem by yourself with the help of the **TROUBLESHOOTING** suggestions.
2. Switch the appliance off and back on again to see if the fault persists.

### IF AFTER THE ABOVE CHECKS THE FAULT STILL OCCURS, GET IN TOUCH WITH THE NEAREST AFTER-SALES SERVICE.

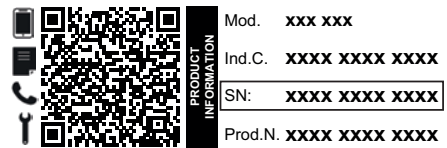
To receive assistance, call the number shown on the warranty booklet or follow the website's instructions on [www.hotpoint.eu](http://www.hotpoint.eu).

When contacting our Client After sales service, always specify:

- a brief description of the fault;
- the type and exact model of the appliance;



- the serial number (number after the word SN on the rating plate located under the appliance). The serial number is also indicated in the documentation;

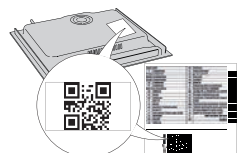


- your full address;
- your telephone number.

If any repairs are required, please contact an authorized after-sales service (to guarantee that original spare parts will be used and repairs carried out correctly).

### Policies, standard documentation and additional product information can be found by:

- Using QR code in your appliance;
- Visiting our website [docs.hotpoint.eu](http://docs.hotpoint.eu);
- Alternatively, **contact our After-sales Service** (See phone number in the warranty booklet). When contacting our After-sales Service, please state the codes provided on your product's identification plate.



## CONSIGNES DE SÉCURITÉ

## IMPORTANT - À LIRE ET À RESPECTER

Télécharger le manuel d'instructions complet sur <http://docs.hotpoint.eu> ou appeler le numéro de téléphone indiqué sur le livret de garantie.

Avant d'utiliser l'appareil, lire attentivement les consignes de sécurité. Conservez-les à portée pour consultation ultérieure.

Le présent manuel et l'appareil en question contiennent des consignes de sécurité importantes qui doivent être observées en tout temps. Le Fabricant décline toute responsabilité si les consignes de sécurité ne sont pas respectées, en cas de mauvaise utilisation de l'appareil, ou d'un mauvais réglage des commandes.

⚠ **AVERTISSEMENT:** Ne pas utiliser la table de cuisson si la surface est cassée ou fissurée - risque de choc électrique.

⚠ **AVERTISSEMENT:** Risque d'incendie: Ne rangez aucun objet sur les surfaces de cuisson.

⚠ **MISE EN GARDE:** La cuisson doit être supervisée. Une cuisson de courte durée doit être supervisée en tout temps.

⚠ **AVERTISSEMENT:** Une cuisson sans surveillance sur une table de cuisson contenant de la graisse ou de l'huile peut s'avérer dangereuse - risque d'incendie. Ne tentez JAMAIS d'éteindre un feu avec de l'eau: au contraire, éteignez l'appareil, puis couvrez la flamme, par exemple avec un couvercle ou une couverture ignifuge.

⚠ N'utilisez pas la table de cuisson comme surface de travail ou support. Gardez les vêtements et autres matières inflammables loin de l'appareil jusqu'à ce que toutes les composantes soient complètement refroidies - un incendie pourrait se déclarer.

⚠ Les enfants en bas âge (0-3 ans) doivent être tenus à l'écart de l'appareil. Les jeunes enfants (3-8 ans) doivent être tenus à l'écart de l'appareil sauf s'ils se trouvent sous surveillance constante. Les enfants âgés de 8 ans et plus, ainsi que les personnes présentant des capacités physiques, sensorielles ou mentales réduites, ou ne possédant ni l'expérience ni les connaissances requises, peuvent utiliser cet appareil seulement s'ils sont supervisés, ou si une personne responsable leur a expliqué l'utilisation sécuritaire et les dangers potentiels de l'appareil. Ne laissez pas les enfants jouer avec l'appareil. Le nettoyage et l'entretien ne doivent pas être exécutés par des enfants sans surveillance.

⚠ **AVERTISSEMENT:** L'appareil, ainsi que ses parties accessibles, peuvent atteindre température élevée lors de l'utilisation. Veillez à ne pas toucher les éléments chauffants. Les enfants de moins de 8 ans doivent être tenus à l'écart de l'appareil, à moins d'être sous surveillance constante.

### USAGE AUTORISÉ

⚠ **MISE EN GARDE:** Cet appareil n'est pas conçu pour être utilisé avec un dispositif de mise en marche externe comme une minuterie ou un système de contrôle à distance.

⚠ Cet appareil est destiné à un usage domestique et peut aussi être utilisé dans les endroits suivants: cuisines pour le personnel dans les magasins, bureaux et autres environnements de travail ; dans les fermes; par les clients dans les hôtels, motels, et autres résidences similaires.

⚠ Aucune autre utilisation n'est autorisée (p. ex. pour chauffer des pièces).

⚠ Cet appareil n'est pas conçu pour un usage professionnel. N'utilisez pas l'appareil en extérieur.

### INSTALLATION

⚠ Deux personnes minimum sont nécessaires pour déplacer et installer l'appareil - risque de blessure. Utilisez des gants de protection pour le déballage et l'installation de l'appareil - vous risquez de vous couper.

⚠ L'installation, incluant l'alimentation en eau (selon le modèle), et les connexions électriques, ainsi que les réparations, doivent être exécutées par un technicien qualifié. Ne procédez à aucune réparation ni à aucun remplacement de pièce sur l'appareil autre que ceux spécifiquement indiqués dans le guide d'utilisation. Gardez les enfants à l'écart du site d'installation. Après avoir déballé l'appareil, assurez-vous qu'il n'a pas été endommagé pendant le transport. En cas de problème, contactez le détaillant ou le service Après-vente le plus proche. Une fois installé, gardez le matériel d'emballage (sacs en plastique, parties en polystyrène, etc.) hors de la portée des enfants - ils pourraient s'étouffer. L'appareil ne doit pas être branché à l'alimentation électrique lors de l'installation - vous pourriez vous électrocuter. Au moment de l'installation, assurez-vous que le câble d'alimentation n'est pas endommagé par l'appareil - risque d'incendie ou de choc électrique. Allumez l'appareil uniquement lorsque l'installation est terminée.

⚠ Découpez le contour du meuble avant d'y insérer l'appareil, et enlevez soigneusement tous les copeaux et la sciure de bois.

⚠ Si l'appareil n'est pas installé au-dessus d'un four, un panneau séparateur (non compris) doit être installé dans le compartiment sous l'appareil.

### ALIMENTATION ÉLECTRIQUE

⚠ Il doit être possible de débrancher l'appareil de l'alimentation électrique en retirant la fiche de la prise de courant si elle est accessible, ou à l'aide d'un interrupteur multipolaire en amont de la prise de courant, conformément aux normes de sécurité électrique nationales.

⚠ Utilisez pas de rallonge, de prises multiples ou d'adaptateurs. Une fois l'installation terminée, l'utilisateur ne devra plus pouvoir accéder aux composantes électriques. N'utilisez pas l'appareil si vous êtes mouillé ou si vous êtes pieds nus. N'utilisez pas l'appareil si le câble d'alimentation ou la prise de courant est endommagé(e), si l'appareil ne fonctionne pas correctement, ou s'il a été endommagé ou est tombé.



⚠ Une installation utilisant une prise de câble électrique n'est pas autorisée sauf si le produit en est déjà équipé par le Fabricant.

⚠ Si le câble d'alimentation est endommagé, il doit être remplacé avec un câble identique par le fabricant, un représentant du Service Après-vente, ou par toute autre personne qualifiée - vous pourriez vous électrocuter.

### NETTOYAGE ET ENTRETIEN

⚠ AVERTISSEMENT: Assurez-vous que l'appareil est éteint et débranchez de l'alimentation électrique avant d'effectuer le nettoyage ou l'entretien; n'utilisez jamais un appareil de nettoyage à vapeur - risque de choc électrique.

⚠ Utilisez en aucun cas de produits abrasifs ou corrosifs, de produits chlorés ou de tampons à récurer.


### MISE AU REBUT DES MATÉRIAUX D'EMBALLAGE

Les matériaux d'emballage sont entièrement recyclables comme l'indique le symbole de recyclage .

Les différentes parties de l'emballage doivent donc être jetées de manière responsable et en totale conformité avec les réglementations des autorités locales régissant la mise au rebut de déchets.

### MISE AU REBUT DES APPAREILS ÉLECTROMÉNAGERS

Cet appareil est fabriqué à partir de matériaux recyclables ou réutilisables. Mettez-le au rebut en vous conformant aux réglementations locales en matière d'élimination des déchets. Pour toute information supplémentaire sur le traitement et le recyclage des appareils électroménagers, contactez le service local compétent, le service de collecte des déchets ménagers ou le magasin où vous avez acheté l'appareil. Cet appareil est marqué comme étant conforme à la Directive européenne 2012/19/EU, aux réglementations relatives aux Déchets d'équipement électrique et électronique (DEEE) et relatives aux Déchets d'équipement électrique et électronique de 2013 (tels qu'amendés). En vous assurant que l'appareil est mis au rebut correctement, vous pouvez aider à éviter d'éventuelles conséquences négatives sur l'environnement et la santé humaine.

Le symbole  sur le produit ou sur la documentation qui l'accompagne indique qu'il ne doit pas être traité comme un déchet domestique, mais doit être remis à un centre de collecte spécialisé pour le recyclage des appareils électriques et électroniques.



### CONSEILS RELATIFS À L'ÉCONOMIE D'ÉNERGIE

Tirez le meilleur de la chaleur résiduelle de votre plaque de cuisson en l'éteignant quelques minutes avant de terminer la cuisson.

La base de votre casserole ou de votre poêle couvre totalement la plaque chaude; un récipient plus petit que la plaque chaude provoquera un gaspillage d'énergie.

Couvrez vos casseroles et poêles avec des couvercles parfaitement ajustés et utilisez le moins d'eau que possible. La cuisson à découvert augmentera considérablement la consommation d'énergie.

**Utilisez uniquement des casseroles et poêles à fond plat.**

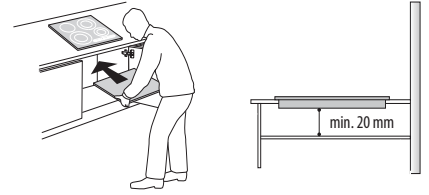
### DÉCLARATION DE CONFORMITÉ

Cet appareil respecte les conditions requises d'écoconception de la Réglementation européenne 66/2014 et des Réglementations en matière d'écoconception pour les produits liés à l'énergie et les informations énergétiques (Amendement) (Sortie de l'UE) 2019, conformément à la norme européenne EN 60350-2.



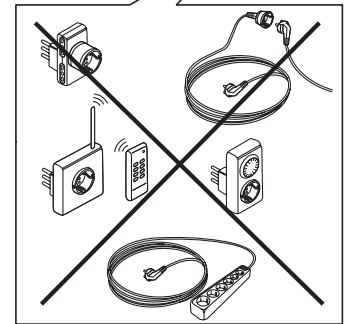
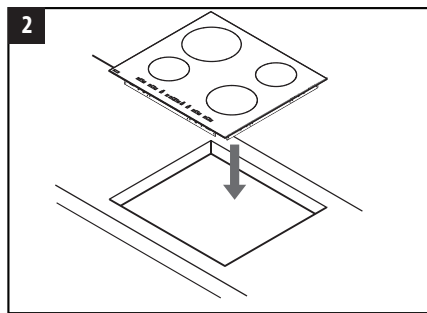
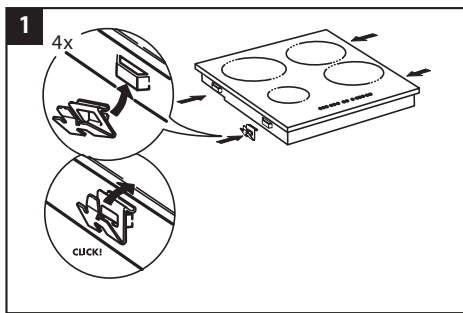
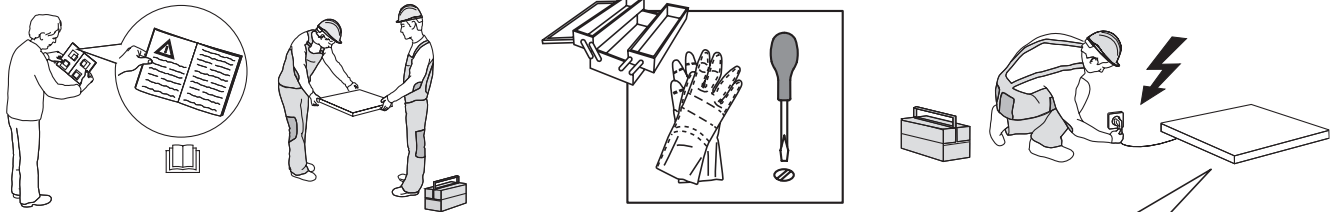
# INSTALLATION

- La table de cuisson doit être installée dans un plan de travail sur au moins 20 mm de profondeur.
- Rien ne doit encombrer l'espace entre la table de cuisson et le four (traverses, supports, etc.).
- Assurez-vous que le câble électrique est suffisamment long pour permettre une installation correcte.
- La distance entre la partie inférieure de la table de cuisson vitrocéramique et le meuble ou le panneau de séparation doit être d'au moins 20 mm.
- Pour des dimensions et une installation encadrées, consultez la photographie dans le présent paragraphe.
- Une distance minimale doit être maintenue entre la table de cuisson et la hotte au-dessus d'elle. Consultez le manuel de l'utilisateur de la hotte pour plus d'informations.
- Après avoir nettoyé la surface de la table de cuisson, installez le joint fourni autour de celle-ci (sauf s'il est déjà installé).
- **N'installez pas la table de cuisson à côté d'un lave-vaisselle ou d'un lave-linge, afin d'éviter que les circuits électriques ne soient endommagés par la vapeur ou la moisissure.**
- Si un four est installé sous la table de cuisson, assurez-vous qu'il est équipé d'un système de refroidissement. Si la température des circuits électroniques dépasse la température maximale autorisée, la table de cuisson s'éteindra automatiquement; dans ce cas, laissez refroidir les circuits électriques pendant quelques minutes avant de rallumer la table de cuisson.

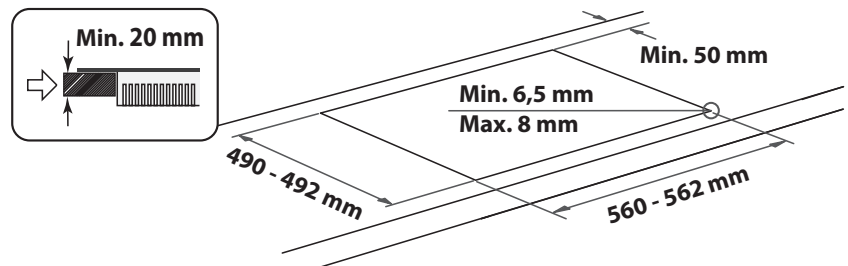
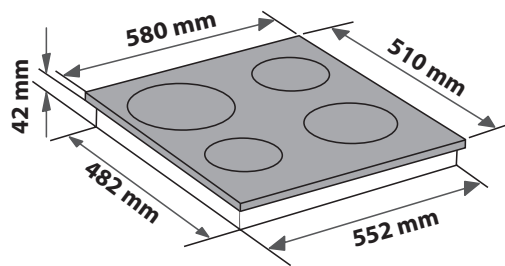
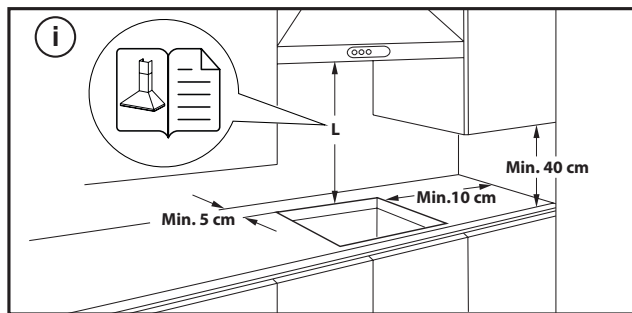


## MISE EN PLACE DE LA TABLE DE CUISSON

Après le branchement électrique ( voir le chapitre " Branchement électrique " ), placez chaque clip de fixation sur les fentes dédiées sur les côtés latéraux de la table de cuisson comme indiqué sur la photographie. Puis poussez la table de cuisson à l'intérieur de la découpe et vérifiez que le verre est plat et parallèle au plan de travail. Les clips de fixation sont conçus pour toute sorte de matériau de plan de travail ( bois, marbre, etc ).



## DIMENSIONS ET DISTANCES A RESPECTER



## DÉPOSE DE LA TABLE DE CUISSON:

Pour enlever la table de cuisson, débranchez-la de l'alimentation électrique. Il est fortement recommandé de libérer la partie située en dessous de tout four, tiroir, séparateur ou autre. Cela permet au technicien d'accéder à la partie inférieure de la table de cuisson pour défaire les quatre clips avec un tournevis, de lever la table de cuisson et de l'enlever, en évitant tout dommage au plan de travail.

# RACCORDEMENT ÉLECTRIQUE

Le branchement électrique doit être réalisé avant de brancher l'appareil au réseau d'alimentation.

Le câble électrique n'est pas inclus dans l'emballage - rappelez-vous de préparer votre propre câble électrique.




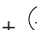
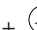
L'installation doit être effectuée par un personnel qualifié qui connaît les réglementations actuelles relatives à la sécurité et à l'installation. En particulier, l'installation doit être réalisée conformément aux réglementations de la société locale de distribution d'électricité.

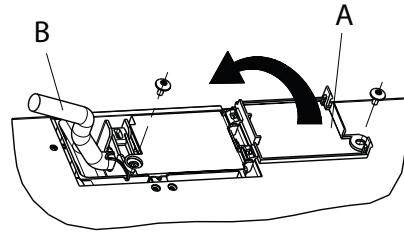
Assurez-vous que la tension spécifiée sur la plaque signalétique située au bas de l'appareil correspond à celle de votre logement.

La mise à la terre de l'appareil est obligatoire aux termes de la loi: utilisez uniquement des conducteurs (y compris le fil de terre) de section appropriée.

## CONNEXION AU BORNIER

Pour le branchement électrique, utilisez un câble de type H05RR-F ou H05V2V2-F, comme indiqué dans le tableau ci-dessous.

TENSION D'ALIMENTATION	CONDUCTEURS NOMBRE x SECTION
220-240V ~+ 	3 x 4 mm <sup>2</sup>
230-240V ~+ 	3 x 4 mm <sup>2</sup> (pour l'Australie uniquement)
220-240V 3~+ 	4 x 1,5 mm <sup>2</sup>
380-415V 3N~+ 	5 x 1,5 mm <sup>2</sup>
380-425V 2N~+ 	4 x 1,5 mm <sup>2</sup>



**L'appareil doit être raccordé au secteur à l'aide d'un dispositif à coupure omnipolaire ayant une distance de 3 mm au moins entre les contacts.**

**IMPORTANT :** Le cordon d'alimentation doit être suffisamment long pour que la table de cuisson puisse être retirée du plan de travail et doit être positionné de façon à écarter toute possibilité de dommage ou de surchauffe causée par un contact avec la base de l'appareil.

**REMARQUE :** le fil de terre jaune-vert doit être branché à la borne portant le symbole  et doit être plus long que les autres fils.

- Dénudez environ 70 mm de la gaine du cordon d'alimentation (B).
- Retirez environ 10 mm de la gaine des fils. Enflez ensuite le cordon d'alimentation dans le collier de serrage et connectez les fils au bornier en suivant les indications du schéma à côté dudit bornier.
- Fixez le cordon d'alimentation (B) à l'aide du collier de serrage.
- Fermez le bornier avec le couvercle (A) en le fixant avec la vis spéciale.
- Après avoir terminé les branchements électriques, introduisez la table de cuisson par le haut et accrochez-la aux ressorts de support, comme illustré sur l'image.



**MERCI D'AVOIR CHOISI UN PRODUIT WHIRLPOOL**  
Afin de profiter d'une assistance plus complète, veuillez enregistrer votre produit sur [www.hotpoint.eu/register](http://www.hotpoint.eu/register).

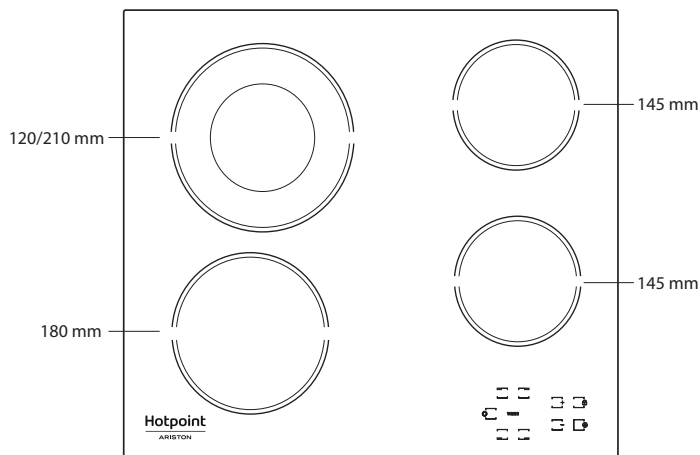


**Lisez attentivement les consignes de sécurité avant d'utiliser l'appareil.**

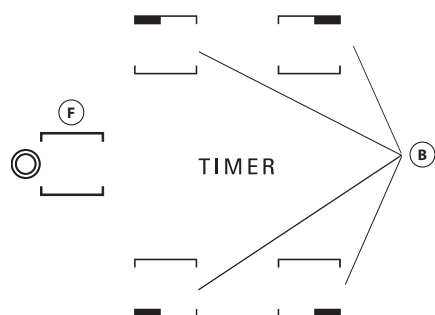
**VEUILLEZ SCANNER LE QR CODE  
SUR VOTRE APPAREIL POUR  
OBTENIR PLUS D'INFORMATIONS**



## DESCRIPTION DU PRODUIT



## PANNEAU DE COMMANDE



- A** Marche/Arrêt
- B** Sélection de la zone de cuisson et du réglage de la minuterie
- C-E** Augmentation et réduction du réglage de chaleur
- D** Verrouillage du panneau de commande
- F** Sélection/Désélection foyer multiple

## PREMIÈRE UTILISATION

A la première installation le bandeau effectuera un contrôle fonctionnel (environ 1 seconde) et se positionnera ensuite automatiquement sur la fonction "Verrouillage du panneau de commande".

Maintenir la pression sur le bouton "D" pour désactiver la fonction, le plan émettra un signal acoustique, le voyant de référence s'éteindra.

**REMARQUE:** En cas de reset du produit répéter la procédure indiquée.

## USAGE QUOTIDIEN



### MISE EN MARCHÉ/ARRÊT DE LA TABLE DE CUISSON

Pour mettre la table de cuisson sous tension, appuyez 2 secondes sur le bouton "A". "0" apparaît à l'afficheur des 4 foyers de cuisson. Si aucun des foyers de cuisson n'est activée durant les 20 secondes qui suivent, la table de cuisson s'éteint automatiquement pour des raisons de sécurité.

### ACTIVATION ET RÉGLAGE DES FOYERS

Appuyez sur l'un des boutons "B" correspondant au foyer que vous souhaitez utiliser. Sélectionnez la puissance désirée en appuyant sur les boutons "E" ou "C". Les allures de la table de cuisson vont de 1 à 9. Appuyez sur les boutons "+/-" en même temps pour effacer tous les réglages.

**REMARQUE IMPORTANTE:** le contrôle est désactivé 10 secondes après que le niveau de cuisson a été sélectionné.

Pour modifier la puissance de cuisson, appuyez d'abord sur le bouton de sélection "B", puis modifiez le réglage à l'aide des boutons "E" ou "C".



### FOYER MULTIPLE

Après avoir sélectionné le foyer et programmé le niveau (comme indiqué dans la partie précédente) appuyer la touche "F", un indicateur sur la touche s'allume et active le foyer supplémentaire.

Il est possible d'utiliser le foyer multiple dans les cas suivants:

- Le foyer de cuisson est équipé de foyer multiple;
- Le niveau de puissance sélectionné doit dépasser 0.

Pour désactiver le foyer multiple appuyer la touche "B" de la zone voulue et appuyer de nouveau la touche "F".

### TIMER (MINUTEUR)

Pour configurer la fonction Minuteur, sélectionnez un foyer et indiquez le niveau de puissance, appuyez de nouveau sur la touche du foyer: un point lumineux s'allume sur l'afficheur du foyer à temporiser. Les 2 afficheurs indiquent "00" clignotant appuyer les boutons "C" ou "E" pour modifier le temps de 1 à 99.

**REMARQUE IMPORTANTE:** au bout de 10 secondes, les afficheurs du minuteur visualiseront le niveau de puissance des autres foyers. Pour visualiser le temps qui reste, appuyez deux fois sur le foyer temporisé.

## FONCTION A

Cette fonction permet de diminuer automatiquement le niveau de puissance de la zone de cuisson de la valeur la plus élevée (niveau 9) à celle sélectionnée par l'utilisateur pour une phase ultérieure de cuisson.

Pour activer cette fonction, appuyez sur la touche "+" lorsque vous atteignez le niveau 9.

L'écran affiche "A" et "9" clignote en alternance avec une faible luminosité.

À ce stade, choisissez le niveau de puissance souhaité (moins de 9) avec la touche "-".

"A" et le niveau sélectionné clignotent en alternance avec une faible luminosité sur l'écran.

La fonction est activée une fois que "A" et le niveau sélectionné clignotent en alternance avec une luminosité élevée sur l'écran.

Une fois que "A" n'est plus visible sur l'écran (la fonction "A" se coupe automatiquement après plusieurs minutes, en fonction du niveau de puissance établi), le processus de cuisson se poursuit avec une puissance inférieure et l'écran n'affiche que le niveau de puissance sélectionné.

**N.B.:** cette fonction n'est pas possible avec le niveau 9.



## VERROUILLAGE DU PANNEAU DE COMMANDE

La fonction Verrouillage du panneau de commande est activée en appuyant sur le bouton "D" jusqu'à ce que le voyant rouge s'allume au-dessus du bouton de la fonction. Le panneau de commande est verrouillé, à l'exception de la fonction Arrêt. Cette fonction reste activée même si vous éteignez, puis rallumez la plaque de cuisson; vous pouvez la désactiver en appuyant de nouveau sur la touche "D" jusqu'à ce que le point au-dessus de la fonction disparaisse.

Lorsque la table de cuisson est éteinte avec le verrouillage du panneau de commande activé, pour allumer la table de cuisson, il faut tout d'abord désactiver la fonction de verrouillage du panneau de commande en appuyant sur le bouton "D" jusqu'à ce que le point au-dessus de la touche de fonction s'éteigne.

La présence d'eau, d'éclaboussures provenant des casseroles, ou un objet appuyé sur les commandes peut accidentellement activer ou désactiver la fonction Verrouillage du panneau de commande.



## INDICATEUR DE CHALEUR RÉSIDUELLE

Lorsque le foyer de cuisson a été mis hors tension, l'indicateur de chaleur résiduelle "H" reste allumé ou clignote en alternance avec "0" tant que la température dépasse les limites de sécurité.

**REMARQUE IMPORTANTE:** Pour des raisons de sécurité, la table de cuisson est équipée d'une fonction d'arrêt automatique. Une utilisation prolongée du même interrupteur de réglage de l'allure chauffe éteint automatiquement la zone de cuisson (par exemple, après 1 heure environ à la puissance maximum, la zone de cuisson sera désactivée).

**IMPORTANT:** Pour éviter d'endommager la table de cuisson de manière permanente:

- n'utilisez pas de récipients dont les fonds ne sont pas plats;
- n'utilisez pas de récipients métalliques avec un fond émaillé;
- ne placez pas de récipients/casseroles chaudes sur le panneau de commande.

La table de cuisson est également équipée de la fonction "arrêt automatique" qui coupe la zone de cuisson si aucune modification du niveau de puissance n'est effectuée après un laps de temps spécifique qui dépend du réglage de puissance lui-même. Dans le tableau figure la durée de chaque niveau de puissance.

NIVEAU DE PUISSANCE	TEMPS D'ARRÊT AUTOMATIQUE
0	30 secondes
1	10 heures
2	5 heures
3	5 heures
4	4 heures
5	3 heures
6	2 heures
7	2 heures
8	2 heures
9	1 heure

## TABLEAU DE CUISSON

NIVEAU DE PUISSANCE		TYPE DE CUISSON	UTILISATION DU NIVEAU (valeur indicative pouvant être adaptée en fonction de l'expérience et des habitudes de chacun)
<b>Puissance maximale</b>	9	Bouillir	Idéal pour augmenter rapidement la température des aliments, notamment pour faire bouillir de l'eau ou chauffer des liquides de cuisson rapidement.
	9 – 8	Grill	Idéal pour faire dorer, lancer une cuisson, faire frire des aliments surgelés, porter rapidement à ébullition.
<b>Puissance élevée</b>	8 – 7	Dorer – maintenir l'ébullition – griller	Idéal pour faire dorer, maintenir une ébullition vive, cuire et griller (courte durée, 5-10 minutes).
	7 – 6	Frire – cuire – griller	Idéal pour maintenir une ébullition légère, cuire et griller (durée moyenne, 10-20 minutes), préchauffer et frire.
<b>Puissance moyenne</b>	6 – 5	Friture douce	Idéal pour faire cuire des œufs, des omelettes.
	5 – 4	Cuire – faire frémir – cuire à l'étouffée	Idéal pour une cuisson prolongée (riz, sauces, rôtis, poisson) avec des liquides (par ex. eau, vin, bouillon, lait), pour préparer la sauce des pâtes.
	4 – 3	Épaissir – Préparer la sauce des pâtes	
<b>Basse puissance</b>	2 – 1	Garder les aliments au chaud – préparer un risotto	Idéal pour maintenir les aliments juste cuits au chaud (par exemple sauces, soupes et minestrone), préparer du risotto et maintenir au chaud les plats.
<b>Puissance minimum</b>	1	Décongélation	Idéale pour ramollir le beurre, faire fondre délicatement le chocolat, décongeler des aliments de petite taille.
<b>Puissance zéro</b>	0	–	La table de cuisson est en veille ou éteinte (la présence de chaleur résiduelle à la fin de la cuisson est indiquée par un "H").

## NETTOYAGE ET ENTRETIEN

### ⚠ Débranchez l'appareil de l'alimentation électrique.

- N'utilisez pas d'appareil de nettoyage à vapeur.
- N'utilisez pas d'éponges abrasives ni de tampons à récurer car ils peuvent endommager le verre.
- Après chaque utilisation, laissez refroidir la table de cuisson et nettoyez-la de façon à éliminer les résidus d'aliments incrustés et les taches.

- Le sucre et les aliments très sucrés peuvent abîmer la table de cuisson et doivent être éliminés immédiatement.
- Le sel, le sucre et le sable peuvent rayer la surface en verre.
- Utilisez un chiffon doux, un essuie-tout, ou un nettoyant pour cuisinière pour nettoyer la table de cuisson (suivez les consignes du fabricant).
- Des déversements de liquide dans les zones de cuisson peuvent provoquer le déplacement ou la vibration des casseroles.
- Après le nettoyage de la table de cuisson, séchez-la soigneusement.

## GUIDE DE DÉPANNAGE

En cas de mauvais fonctionnement de la table de cuisson, avant de contacter le Service Après-vente, consultez le chapitre Guide de dépannage afin d'identifier le problème.

- Il convient de lire et de suivre les instructions indiquées dans la section "Usage quotidien".
- Contrôlez que l'alimentation électrique n'a pas été coupée.
- Séchez soigneusement la table de cuisson après l'avoir nettoyée.
- Si un foyer a été sélectionné et que "F" ou "ER" suivi d'un numéro est visualisé sur l'afficheur, contactez le Service après-vente.
- Si le code inconvenient est "F03", "ER03" ou "E02", tentez de le résoudre en suivant les instructions ci-après :
  - Si l'erreur "E02" apparaît, assurez-vous de ne pas avoir appuyé pendant plus de 5 secondes sur une touche, qu'aucun objet ne se trouve sur la zone de l'IHM et qu'elle est propre et sèche - lors du nettoyage, merci de suivre les instructions du paragraphe Nettoyage et Entretien.
  - Si l'erreur "F03" apparaît, tentez de couper la table de cuisson, puis de la rallumer.
  - Si l'erreur "F04", contactez le Service après-vente et communiquez-leur le code qui est affiché.

- Si après avoir fonctionné pendant un laps de temps relativement long, la table de cuisson s'arrête, cela signifie que la température interne de celle-ci est trop élevée. Laissez refroidir la table de cuisson pendant quelques minutes.
- Si le chauffage n'est pas continuellement allumé mais s'allume et s'éteint de manière cyclique même si le niveau de puissance sur l'écran ne change pas, cela fait partie du fonctionnement normal de la table de cuisson. Le cycle marche/arrêt permet la régulation de puissance du chauffage et cela est totalement normal. Dans certains cas, une protection thermique pourrait couper le chauffage quelque temps pour éviter des dommages au verre. Des exemples de ces cas sont les suivants: une cuisson longue à un niveau de puissance élevé, en utilisant des casseroles plus petites que l'élément chauffant et des casseroles sans fond plat.
- Si la table de cuisson émet un bref signal sans que le client n'appuie sur une touche, faites attention aux éventuelles éclaboussures de liquide sur l'IHM. Essuyez l'IHM et continuez d'utiliser la table de cuisson. Si la table de cuisson a été automatiquement coupée, cela peut être provoqué par la présence de liquide sur l'IHM. Essuyez l'IHM et rallumez la table de cuisson.

Si le problème persiste après ces vérifications, contactez votre Service Après-vente le plus proche.

## SERVICE APRÈS-VENTE

Afin de profiter d'une assistance complète, veuillez enregistrer votre appareil sur [www.hotpoint.eu/register](http://www.hotpoint.eu/register).

### AVANT D'APPELER LE SERVICE APRÈS-VENTE:

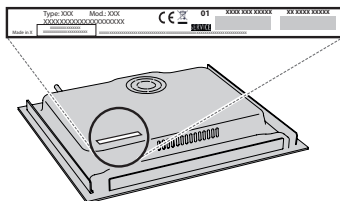
1. Vérifiez en premier lieu si vous pouvez remédier au problème à l'aide des suggestions de la section **GUIDE DE DÉPANNAGE**.
2. Éteignez puis rallumez l'appareil pour voir si le problème persiste.

### SI LE PROBLÈME PERSISTE TOUJOURS APRÈS LES VÉRIFICATIONS PRÉCÉDENTES, CONTACTER LE SERVICE APRÈS-VENTE LE PLUS PRÈS.

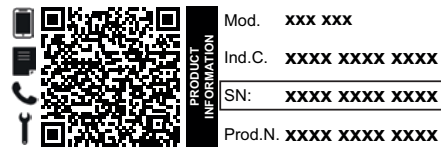
Pour obtenir du support, appeler le numéro disponible dans le livret de garantie ou suivez les consignes sur le site Web [www.hotpoint.eu](http://www.hotpoint.eu).

Lorsque vous contactez notre Service Après-vente, toujours préciser:

- une brève description du problème;
- le type et le modèle exact de l'appareil;



- le numéro de série (numéro après le mot SN sur la plaque signalétique située sous l'appareil). Le numéro de série est également indiqué dans la documentation;



- votre adresse complète ;
- votre numéro de téléphone.

Si des réparations sont nécessaires, contactez un service après-vente agréé (vous aurez ainsi la garantie que les pièces défectueuses seront remplacées par des pièces d'origine et que la réparation de votre appareil sera effectuée correctement).



### Vous trouverez les politiques, la documentation standard et des informations supplémentaires sur le produit :

- En utilisant le QR Code dans votre appareil;
- En visitant notre site Internet [docs.hotpoint.eu](http://docs.hotpoint.eu);
- Vous pouvez également **contacter notre service après-vente** (voir numéro de téléphone dans le livret de garantie). Lorsque vous contactez notre Service après-vente, veuillez indiquer les codes figurant sur la plaque signalétique de l'appareil.



# INSTRUÇÕES DE SEGURANÇA

## AVISOS IMPORTANTES QUE DEVERÁ LER E CUMPRIR

Transfira o Manual de Instruções completo em <http://docs.hotpoint.eu> ou contacte-nos através do número de telefone indicado no livrete da garantia.

Antes de utilizar o aparelho, leia estas instruções de segurança com atenção. Guarde-as por perto para consulta futura.

Estas instruções e o próprio aparelho possuem mensagens importantes relativas à segurança que deve ler e respeitar sempre. O fabricante declina qualquer responsabilidade pela inobservância das presentes instruções de segurança, pela utilização inadequada do aparelho ou pela incorreta configuração dos controlos.

⚠ **ADVERTÊNCIA:** Se a superfície da placa estiver rachada, não utilize o aparelho - risco de choque elétrico.

⚠ **ADVERTÊNCIA:** Perigo de incêndio: Não armazene quaisquer produtos nas superfícies de cozedura.

⚠ **CUIDADO:** O processo de cozedura tem de ser vigiado. Os processos de cozedura de curta duração devem ser continuamente vigiados.

⚠ **ADVERTÊNCIA:** A cozedura de alimentos com gorduras ou óleos numa placa sem vigilância pode ser perigosa - risco de incêndio. NUNCA tente apagar um incêndio com água: desligue o aparelho e depois cubra a chama, por exemplo com uma tampa ou manta antifogo.

⚠ Não utilize a placa como superfície ou suporte de trabalho. Mantenha quaisquer peças de vestuário ou outros materiais inflamáveis afastados do aparelho até que todos os componentes deste tenham arrefecido completamente, pois existe risco de incêndio.

⚠ As crianças até aos 3 anos devem ser mantidas afastadas do aparelho. As crianças entre os 3 e os 8 anos devem ser mantidas afastadas do aparelho, exceto se estiverem sob supervisão permanente. Este aparelho pode ser utilizado por crianças a partir dos 8 anos e por pessoas com capacidades físicas, sensoriais ou mentais reduzidas ou com falta de experiência e conhecimento, desde que estejam sob supervisão ou tenham recebido instruções quanto à utilização segura deste aparelho e se compreenderem os perigos envolvidos. As crianças não devem brincar com o aparelho. A limpeza e a manutenção a cargo do utilizador não devem ser realizadas por crianças sem supervisão.

⚠ **ADVERTÊNCIA:** Este aparelho e as suas peças acessíveis aquecem durante o uso. Deve ter-se cuidado para evitar tocar nos elementos quentes. Mantenha as crianças com idade inferior a 8 anos afastadas do aparelho a menos que estejam vigiadas em permanência.

### UTILIZAÇÃO PERMITIDA

⚠ **CUIDADO:** o aparelho não deve ser ligado a partir de um temporizador externo, como, por exemplo, um temporizador, nem a partir de um sistema de

controlo remoto em separado.

⚠ Este aparelho destina-se a ser usado em ambiente doméstico e em aplicações semelhantes tais como: copas para utilização dos funcionários em lojas, escritórios e outros ambientes de trabalho; quintas de exploração agrícola; clientes em hotéis, motéis, *bed & breakfast* e outros tipos de ambientes residenciais.

⚠ Estão proibidos outros tipos de utilização (por exemplo, aquecimento de divisões da casa).

⚠ Este aparelho não está concebido para o uso profissional. Não utilize o aparelho no exterior.

### INSTALAÇÃO

⚠ O aparelho deve ser transportado e instalado por duas ou mais pessoas, para evitar o risco de lesões. Use luvas de proteção para desembalar e instalar o aparelho, de forma a evitar o risco de cortes.

⚠ A instalação, incluindo a alimentação de água (caso seja necessário) e as ligações elétricas, bem como quaisquer reparações devem ser realizadas por um técnico devidamente qualificado. Não repare nem substitua nenhuma peça do aparelho a não ser que tal seja especificamente indicado no manual de utilização. Mantenha as crianças afastadas do local da instalação. Desembale o aparelho e certifique-se de que este não foi danificado durante o transporte. Se tiverem ocorrido problemas, contacte o revendedor ou o Serviço Pós-Venda mais próximo. Uma vez instalado o aparelho, os elementos da embalagem (plástico, peças de esferovite, etc.) devem ser armazenados longe do alcance das crianças, pois existe o risco de asfixia. Deve desligar o aparelho da corrente elétrica antes de efetuar qualquer operação de instalação, para evitar o risco de choques elétricos. Durante a instalação, certifique-se de que o aparelho não danifica o cabo de alimentação, pois existe o risco de incêndio ou de choques elétricos. Ligue o aparelho apenas após concluir a instalação do mesmo.

⚠ Execute todos os trabalhos de corte no móvel antes de instalar o forno e remova todas as lascas de madeira e serradura.


⚠ Caso o aparelho não seja instalado sobre um forno, deverá instalar um painel de separação (não incluído) no compartimento localizado sob o aparelho.


### AVISOS RELATIVOS À ELETRICIDADE

⚠ Deve ser possível desligar o aparelho da fonte de alimentação, desligando-o na ficha, caso esta esteja acessível, ou através de um interruptor multipolar instalado na tomada de acordo com a regulamentação aplicável a ligações elétricas; além disso, o aparelho deve dispor de ligação à terra, de acordo com as normas de segurança elétrica nacionais.


⚠ Não utilize extensões, tomadas múltiplas ou adaptadores. Após a instalação do aparelho, os componentes elétricos devem estar inacessíveis ao utilizador. Não utilize o aparelho com os pés descalços ou molhados. Não ligue este aparelho se o cabo ou a


ficha elétrica apresentar danos, se não estiver a funcionar corretamente, se estiver danificado ou se tiver caído.

 A instalação utilizando uma tomada do cabo de alimentação não é permitida exceto se o produto já estiver equipado com uma tomada fornecida pelo Fabricante.


 Se o cabo de alimentação estiver danificado deverá ser substituído por um idêntico do mesmo fabricante ou por um técnico de assistência ou pessoas similarmente qualificadas de modo a evitar a ocorrência de situações perigosas, pois existe o risco de choques elétricos.

### **LIMPEZA E MANUTENÇÃO**

 **ADVERTÊNCIA:** Assegure-se de que o aparelho está desligado da fonte de alimentação antes de realizar quaisquer operações de manutenção; nunca use uma máquina de limpeza a vapor para limpar o aparelho - risco de choques elétricos.

 Não utilize produtos abrasivos ou corrosivos, produtos de limpeza à base de cloro, ou esfregões da louça.

### **ELIMINAÇÃO DA EMBALAGEM**


O material da embalagem é 100% reciclável, conforme indicado pelo símbolo de reciclagem .

As várias partes da embalagem devem ser eliminadas de forma responsável e em total conformidade com as normas estabelecidas pelas autoridades locais.

### **ELIMINAÇÃO DE ELETRODOMÉSTICOS**

Este aparelho é fabricado com materiais recicláveis ou reutilizáveis. Elimine-o em conformidade com as normas de eliminação de resíduos locais. Para obter mais informações sobre o tratamento, recuperação e reciclagem de eletrodomésticos, contacte as autoridades locais, o serviço de recolha de resíduos domésticos ou a loja onde adquiriu o aparelho. Este aparelho está classificado em conformidade com a Diretiva Europeia 2012/19/UE relativa aos Resíduos de Equipamentos Elétricos e Eletrónicos (REEE) e com os regulamentos referentes à gestão de resíduos de equipamentos elétricos e eletrónicos de 2013 (conforme alteração).

Ao assegurar a eliminação correta deste produto, estamos a proteger o ambiente e a saúde humana contra riscos negativos.

O símbolo  no produto, ou nos documentos que acompanham o produto, indica que este aparelho não deve ser tratado como resíduo doméstico e deve ser transportado para um centro de recolha adequado para proceder à reciclagem do equipamento elétrico e eletrónico.

### **SUGESTÕES PARA POUPAR ENERGIA**

Tire o máximo partido do calor residual libertado pela sua placa durante o funcionamento da mesma, desligando-a durante alguns minutos antes de terminar a cozedura.

A base das suas panelas ou dos seus tachos deve cobrir a placa na totalidade; a utilização de recipientes mais pequenos do que a placa levará a um desperdício de energia.

Tape as suas panelas e tachos com tampas adequadas às dimensões dos mesmos durante a cozedura e utilize o mínimo de água possível. A cozedura em recipientes sem tampa aumenta fortemente o consumo de energia.

**Utilize apenas panelas e tachos com um fundo plano.**

### **DECLARAÇÃO DE CONFORMIDADE**

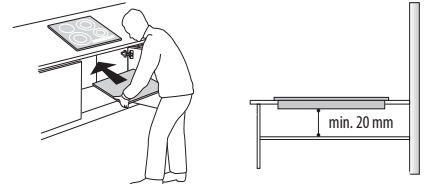
Este aparelho cumpre os requisitos de conceção ecológica do regulamento europeu n.º 66/2014, os requisitos de conceção ecológica dos produtos relacionados com o consumo de energia e o regulamento sobre as informações energéticas (alteração) (saída UE) de 2019 em conformidade com a norma europeia EN 60350-2.





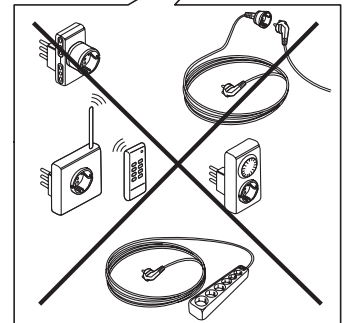
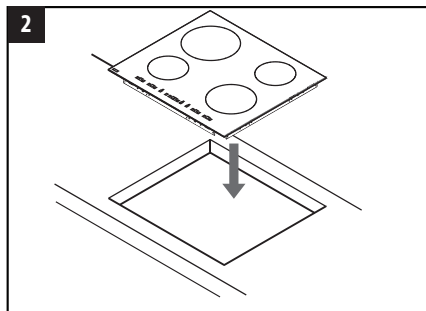
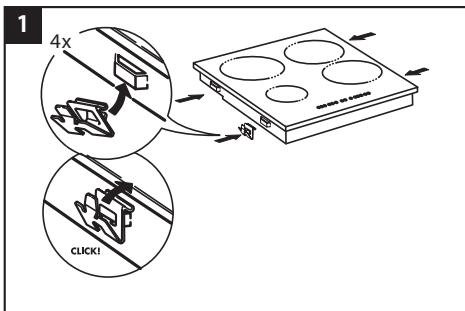
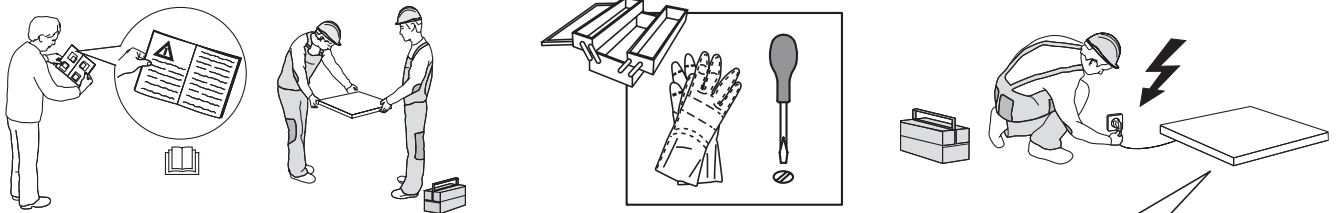
# INSTALAÇÃO

- A placa de cozedura tem de ser definida para um tampo com pelo menos 20 mm de profundidade.
- Não deve existir qualquer tipo de obstrução entre a placa e o forno (calhas, suportes, etc.).
- Certifique-se de que o cabo de alimentação é suficientemente longo para permitir uma instalação conveniente.
- A distância entre a face inferior da placa vitrocerâmica e a bancada ou o painel de separação deve ser de, pelo menos, 20 mm.
- Para obter informação acerca de dimensões para estrutura encastrada e instruções de instalação, veja as imagens no presente parágrafo.
- Deverá deixar uma distância mínima entre a placa e o exaustor existente sobre a mesma. Consulte o manual do utilizador do exaustor para mais informações.
- Após limpar a superfície da placa, aplique a vedação fornecida (a menos que a mesma já esteja instalada).
- **Não instale a placa perto de um lava-loiças ou máquina de lavar loiça, para que os circuitos eletrónicos não entrem em contacto com vapor ou humidade, o que os pode danificar.**
- Caso, por baixo da placa, seja instalado um forno (da nossa gama de fornos), certifique-se de que o mesmo dispõe de um sistema de refrigeração. Se a temperatura do circuito eletrónico exceder a temperatura máxima permitida, a placa desliga-se automaticamente; Neste caso, aguarde alguns minutos até que a temperatura interna dos circuitos eletrónicos alcancem um nível tolerável que possibilite ligar a placa novamente.

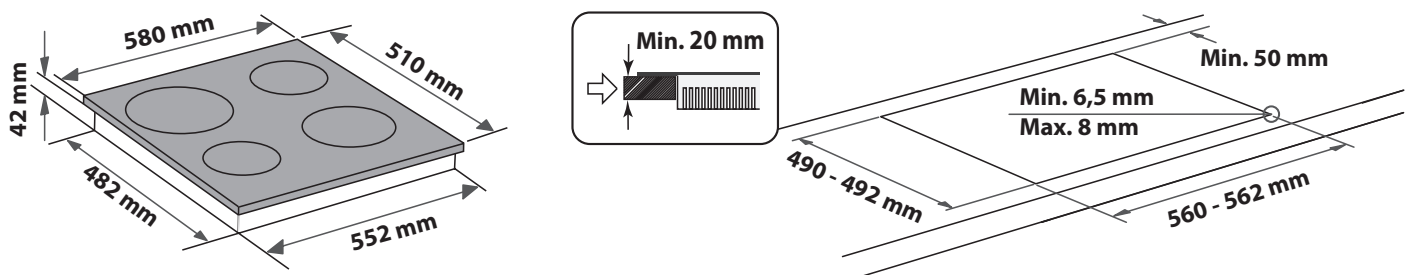
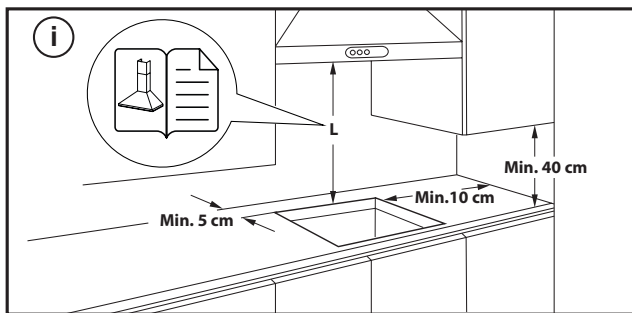


## COMO INSTALAR A PLACA

Após a instalação da ligação elétrica (ver capítulo "Ligação elétrica"), posicione cada suporte de fixação nas aberturas dedicadas existentes em ambos os lados da placa, tal como ilustrado pela imagem. Em seguida, encaixe a placa no corte na bancada para o efeito e certifique-se de que o vidro está nivelado e em paralelo com a bancada. Os suportes de fixação estão concebidos para utilização em todos os tipos de material de bancada (madeira, mármore, etc.).



## DIMENSÕES E DISTÂNCIAS A SEREM MANTIDAS



## COMO REMOVER A PLACA:

Para remover a placa, comece por desligá-la da alimentação elétrica. Recomenda-se vivamente que liberte a parte inferior do forno, gaveta, separador ou outros. Tal permite ao técnico aceder à parte inferior da placa para desapertar os quatro ganchos com uma chave de parafusos, levante a placa e remova-a, evitando quaisquer danos no tampo.

# LIGAÇÃO ELÉTRICA

A ligação elétrica deve ser efetuada antes de ligar o aparelho à corrente doméstica.

O cabo de alimentação não está incluído na embalagem - não se esqueça de preparar o seu próprio cabo.




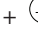
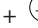
O aparelho deverá ser instalado por um técnico qualificado, com conhecimento das normas vigentes em matéria de instalação e segurança. Mais especificamente, a instalação deverá ser realizada em conformidade com os regulamentos do fornecedor de eletricidade local.

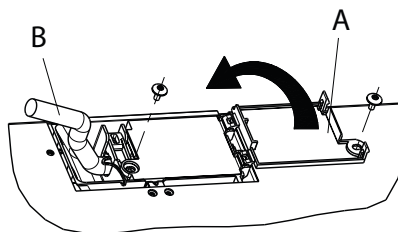
Certifique-se de que a tensão elétrica indicada na chapa de características situada no fundo do aparelho, corresponde à da habitação na qual vai ser instalado.

A ligação à terra do aparelho é obrigatória: utilize apenas condutores (incluindo o condutor de terra) com as dimensões apropriadas.

## LIGAÇÃO AO BLOCO DE TERMINAIS


Para realizar a ligação elétrica, utilize um cabo H05RR-F ou H05V2V2-F como indicado na tabela seguinte.

TENSÃO DE ALIMENTAÇÃO	CONDUTORES NÚMERO X DIMENSÕES
220-240V ~+ 	3 x 4 mm <sup>2</sup>
230-240V ~+ 	3 x 4 mm <sup>2</sup> (apenas para a Austrália)
220-240V 3~+ 	4 x 1,5 mm <sup>2</sup>
380-415V 3N~+ 	5 x 1,5 mm <sup>2</sup>
380-425V 2N~+ 	4 x 1,5 mm <sup>2</sup>



**O aparelho tem de ser ligado à alimentação elétrica através de um disjuntor multipolar com distância mínima entre os contactos de 3 mm.**

**Atenção:** o cabo de alimentação deve ser comprido o suficiente para permitir que a placa seja removida da bancada e posicionada de forma a evitar quaisquer danos ou o sobreaquecimento causado pelo contacto com a base.

**Nota:** o fio terra amarelo/verde deverá ser ligado ao terminal com o símbolo  e deverá ter um comprimento superior ao dos outros fios.

- Retire cerca de 70 mm do revestimento do cabo de alimentação (B).
- Retire cerca de 10 mm do revestimento dos fios. Em seguida, introduza o cabo de alimentação no fixador do cabo e ligue os fios ao bloco de terminais conforme indicado no esquema de ligação posicionado junto ao próprio bloco de terminais.
- Fixe o cabo de alimentação elétrica (B) através do gancho do cabo.
- Feche o bloco de terminais com a tampa (A), fixando-o com o respetivo parafuso fornecido.
- Após a ligação elétrica, encaixe a placa a partir de cima e fixe-a às molas de fixação, conforme representado na figura.



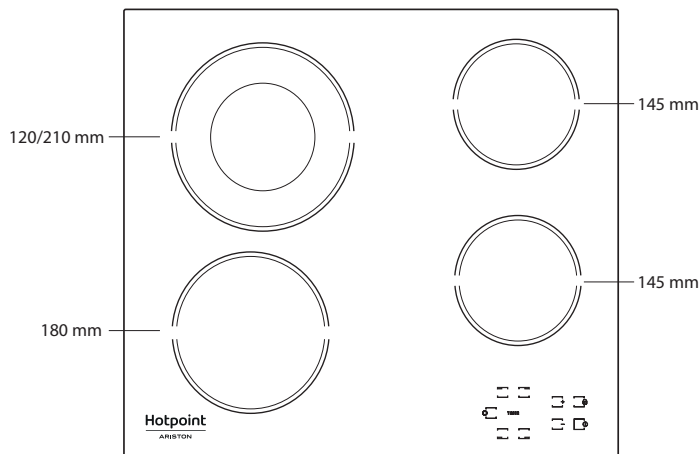
**OBRIGADO POR COMPRAR UM PRODUTO WHIRLPOOL**  
Para beneficiar de uma assistência mais completa, registre o seu produto em [www.hotpoint.eu/register](http://www.hotpoint.eu/register).

**EFETUE A LEITURA DO CÓDIGO QR NO SEU APARELHO PARA OBTER MAIS INFORMAÇÕES**

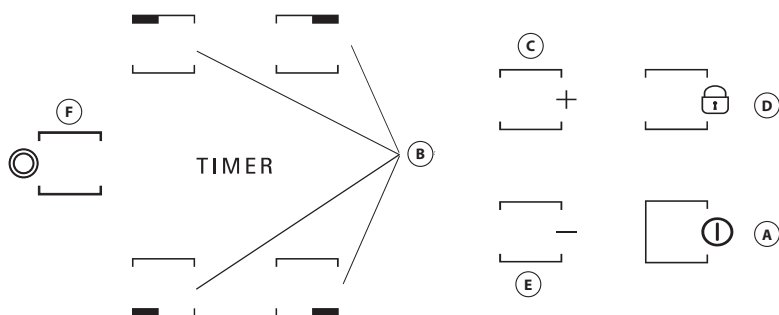


**Leia as instruções de segurança com atenção antes de usar o aparelho.**

## DESCRIÇÃO DO PRODUTO



## PAINEL DE COMANDOS



- A** Ligar/Desligar
- B** Zona de cozedura e seleção do temporizador
- C-E** Aumentar e diminuir a temperatura
- D** Bloqueio dos botões
- F** Ativação/Desativação da zona múltipla

## UTILIZAR PELA PRIMEIRA VEZ

Após a primeira instalação, o painel de controlo realiza um teste funcional de cerca de 1 segundo, após o qual muda automaticamente para a função "Bloqueio dos botões".

Para desativar a função, pressione e fixe o botão "D"; é emitido um sinal sonoro e o led correspondente apaga-se.

**NOTA:** Caso a placa seja reiniciada, repita o procedimento descrito acima.

## UTILIZAÇÃO DIÁRIA

### 1 LIGAR/DESLIGAR A PLACA

Para ligar a placa, mantenha premido o botão "A" durante cerca de 2 segundos. Os visores das 4 zonas de cozedura apresentam "0". Se, num período de 20 segundos, nenhuma das zonas de cozedura for ativada, a placa desliga-se automaticamente como medida de segurança.

### LIGAR E AJUSTAR AS ZONAS DE COZEDURA

Prima uma dos botões "B" correspondente à zona de cozedura que pretende utilizar. Selecione a temperatura desejada usando os botões "E" ou "C". As outras definições de cozedura selecionáveis variam entre 1 e 9. Prima os botões "+/-" em simultâneo para cancelar todas as definições.

**IMPORTANTE:** O controlo é desativado 10 segundos após ter selecionado a definição de temperatura.

Para alterar a definição de temperatura, prima primeiro o botão de seleção "B" de novo e depois altere a definição usando os botões "E" ou "C".

### ZONA MÚLTIPLA

Após ter selecionado a zona desejada e ter definido a temperatura (conforme descrito na seção anterior) prima "F": acende-se um indicador acima do botão, ativando a zona adicional.

A zona múltipla apenas pode ser usada se:

- A zona de cozedura possuir uma zona múltipla;
- O nível de potência selecionado for superior a 0.

Para desativar a zona múltipla, prima o botão "B" da zona desejada, premindo de seguida "F" de novo.

### TIMER

Para definir a função do Temporizador, selecione a zona de cozedura desejada e a definição de potência, premindo de seguida a tecla da zona de cozedura de novo. Aparecerá um ponto luminoso no visor da zona de cozedura controlada pelo temporizador. Nos 2 visores piscará o número "00". Prima os botões "C" ou "E" para definir o tempo entre 1 e 99.

**IMPORTANTE:** Decorridos 10 segundos, o visor do temporizador apresenta a definição de potência das outras zonas de cozedura.

Para ver o tempo de cozedura restante, prima duas vezes a tecla da zona de cozedura controlada por temporizador.

## FUNÇÃO A

Esta função permite diminuir automaticamente o nível de potência da zona de cozedura do valor mais elevado (nível 9) para o nível selecionado pelo utilizador para um momento posterior de cozedura.

Para ativar esta função, comece por premir o botão “+” quando o nível 9 é alcançado.

O ecrã apresenta “A” e “9” pisca alternadamente com um brilho baixo.

Neste momento, escolhe o nível de potência desejado (inferior a 9) com o botão “-”.

“A” e o nível selecionado irão piscar alternadamente com um brilho reduzido no ecrã.

A função é ativada logo que “A” e o nível selecionado pisquem alternadamente com um brilho elevado no ecrã.

Assim que “A” já não estiver visível no ecrã (a função “A” desliga-se automaticamente após vários minutos, dependendo do nível de potência definido), o processo de cozedura continua com uma potência mais baixa e o ecrã apresenta apenas o nível de potência selecionado.

**NOTA:** esta função não é possível com o nível 9.



## BLOQUEIO DOS BOTÕES

A função Bloqueio dos botões é ativada fixando o botão “D” até que um ponto se acenda acima do botão de função. O painel de controlo fica bloqueado, à exceção da função que permite desligar. A função permanece ativa mesmo após a placa ser desligada e ligada de novo e pode ser desativada premindo o botão “D” de novo até que o ponto acima do botão de função se apague.

Quando a placa está desligada com o bloqueio dos botões ativado para ativar a placa, comece por desativar a função de bloqueio dos botões premindo o botão “D” novamente até o ponto acima do botão da função apagar-se.

A presença de água, líquido derramado de painéis ou quaisquer objetos que fiquem sobre os controlos, podem ativar ou desativar acidentalmente o bloqueio dos botões



## INDICADOR DE CALOR RESIDUAL

Quando a zona de cozedura é desligada, o indicador de calor residual “H” permanece ligado ou pisca alternando com “0” até que a temperatura da placa volte aos níveis de segurança.

**IMPORTANTE:** As funções de segurança da placa incluem uma função para desligar automaticamente. A utilização prolongada da mesma temperatura, faz desligar automaticamente a zona de cozedura (por exemplo, após cerca de 1 hora com a temperatura máxima, a zona de cozedura desliga-se).

**IMPORTANTE:** Para evitar danos permanentes na placa:

- não utilize painéis com bases que não sejam totalmente planas;
- não utilize painéis metálicos com bases em esmalte;
- não coloque painéis/tachos quentes sobre o painel de controlo.

A placa dispõe ainda de uma função de “desativação automática” que desliga a zona de cozedura automaticamente caso não exista qualquer alteração do nível de potência após um período específico, dependendo da própria definição de potência. Na tabela abaixo, apresenta-se o tempo para a desativação automática para cada nível de potência.

NÍVEL DE POTÊNCIA	TEMPO DESATIVAÇÃO AUTOMÁTICA
0	30 segundos
1	10 horas
2	5 horas
3	5 horas
4	4 horas
5	3 horas
6	2 horas
7	2 horas
8	2 horas
9	1 hora

## TABELA DE COZEDURA

NÍVEL DE POTÊNCIA		TIPO DE COZEDURA	NÍVEL DE UTILIZAÇÃO (indica a experiência e os hábitos de cozedura)
Potência máxima	9	Cozer	Ideal para aumentar rapidamente a temperatura dos alimentos, para uma rápida ebulição no caso de água ou para aquecer rapidamente líquidos.
	9 – 8	Selar	Ideal para alourar, começar a cozinhar, fritar produtos congelados, ferver rapidamente.
Alta potência	8 – 7	Alourar - manter a fervura - grelhar	Ideal para alourar, manter uma temperatura de fervura elevada, cozinhar e grelhar (curta duração, 5-10 minutos).
	7 – 6	Fritar – cozer – grelhar	Ideal para manter uma temperatura de fervura baixa, cozinhar e grelhar (duração média, 10-20 minutos), preaquecer e fritar.
Média potência	6 – 5	Fritura suave	Ideal para estrear ovos e cozinhar omeletes.
	5 – 4	Cozedura – cozedura lenta – guizar	Ideal para cozedura prolongada (arroz, molhos, assados, peixe) com líquidos (exemplo: água, vinho, caldo, leite), massa cremosa.
	4 – 3	Engrossar – massa cremosa	
Baixa potência	2 – 1	Manter os alimentos quentes – risotos cremosos	Ideal para manter quentes os alimentos acabados de cozinhar (exemplo: molhos, sopas, sopa minestrone), risotos cremosos e manter os pratos quentes.
Potência mínima	1	Descongelção	Ideal para descongelar produtos de pequenas dimensões e derreter suavemente chocolate ou manteiga.
Potência zero	0	–	Placa em modo de espera ou desligada (potencial calor residual de fim de cozedura indicado pela letra “H”).

## LIMPEZA E MANUTENÇÃO

⚠ Desligue o aparelho da corrente elétrica.

- Não utilize aparelhos de limpeza a vapor.
- Não utilize esponjas abrasivas nem esfregões de palha de aço, pois podem danificar o vidro.
- Após cada utilização, limpe a placa (após arrefecer) para remover quaisquer depósitos e manchas originadas por resíduos de alimentos.

- Açúcar ou alimentos com elevado conteúdo de açúcar podem danificar a placa e devem ser removidos de imediato.
- Sal, açúcar e areia riscam a superfície de vidro.
- Use um pano macio, papel de cozinha absorvente ou um produto de limpeza específico para placas (siga as instruções do fabricante).
- Os derrames de líquidos nas zonas de cozedura podem fazer com que os tachos se desloquem ou vibrem.
- Depois de limpar a placa, seque-a bem.

## RESOLUÇÃO DE PROBLEMAS

Se a placa não funcionar devidamente, antes de contactar o Serviço Pós-Venda, consulte o Guia para Resolução de Problemas para determinar qual o problema.

- Leia e siga as instruções contidas na secção "Utilização Diária".
- Verifique se o abastecimento de eletricidade não foi desligado.
- Seque a placa completamente antes de a limpar.
- Se tiver sido seleccionada uma zona de cozedura e um "F" ou um "ER" aparecer no ecrã seguido de um número, contacte o Serviço Pós-venda e informe-os.
- Se o código de erro for "F03", "ER03" ou "E02", tente resolvê-lo seguindo estas instruções:
  - Se o erro "E02" aparecer, por favor certifique-se de que não tem estado a carregar em botões durante mais de 5 segundos, não existem objetos na área HMI e esta está limpa e seca - ao limpar, por favor siga o parágrafo sobre "Limpeza e Manutenção".
  - Se o erro "F03" aparecer, tente ligar e desligar a placa novamente.
  - Se o erro "F04" aparecer, contacte o Serviços Pós-venda e informe-os sobre qual o código a ser apresentado.
- Se a placa do fogão não funcionar após uma utilização intensa, significa que a temperatura interna da placa está demasiado elevada. Aguarde alguns minutos até a placa arrefecer.

- Se o aquecedor não permanece ligado continuamente mas for ativado e desativado de forma cíclica mesmo que o nível de potência se mantenha inalterado, tal faz parte do normal funcionamento da placa. O ciclo On/Off (ativação/desativação) permite a regulação da potência do aquecedor, sendo completamente normal. Em alguns casos, a proteção térmica pode desativar o aquecedor durante algum tempo para evitar danos no vidro. Exemplos de tais situações: utilização da placa durante um longo período a um nível de potência elevado, utilizando painéis menores que o elemento de aquecimento e não utilizando de painéis cujo fundo não é plano.
- Se a placa estiver a emitir um breve som sem o cliente premir nenhum botão, verifique se existem derrames de líquidos na HMI. Por favor, seque a HMI e continue a utilizar a placa. Se a placa tiver sido desligada automaticamente, tal poderá ter sido causado pela presença de líquido na HMI. Por favor, seque a HMI e volte a ligar a placa.

Se, após efetuar as verificações acima indicadas, o problema persistir, contacte o Serviço Pós-Venda mais próximo.

## SERVIÇO PÓS-VENDA

Para beneficiar de uma assistência mais completa, registe o seu produto em [www.hotpoint.eu/register](http://www.hotpoint.eu/register).

### ANTES DE CONTACTAR O SERVIÇO PÓS-VENDA:

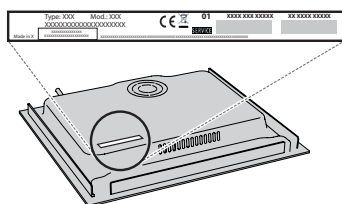
1. Tente solucionar o problema sozinho com a ajuda das sugestões fornecidas na secção de **RESOLUÇÃO DE PROBLEMAS**.
2. Desligue e volte a ligar o aparelho para verificar se o problema ficou resolvido.

### SE O PROBLEMA PERSISTIR APÓS ESSAS VERIFICAÇÕES, CONTACTE O SERVIÇO PÓS-VENDA MAIS PRÓXIMO.

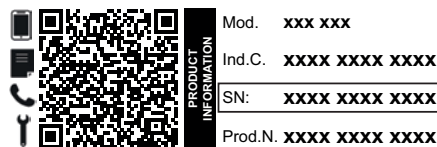
Para receber assistência, contacte o número indicado no livrete da garantia ou siga as instruções existentes no site [www.hotpoint.eu](http://www.hotpoint.eu).

Quando contactar o nosso Serviço de Pós-venda indique sempre:

- uma breve descrição da anomalia;
- o tipo e o modelo exato do aparelho;



- o número de série (número situado após a palavra SN na chapa de características localizada por baixo do aparelho). O número de série também se encontra indicado na documentação;



- a sua morada completa;
- o seu número de telefone.

Se for necessário efetuar alguma reparação, contacte um Serviço de Assistência Técnica autorizado (para garantir a utilização de peças sobressalentes originais e uma reparação correta).

### Policies, standard documentation and additional product information can be found by:

- Using QR code in your appliance;
- Visiting our website [docs.hotpoint.eu](http://docs.hotpoint.eu);
- Alternatively, **contact our After-sales Service** (See phone number in the warranty booklet). When contacting our After-sales Service, please state the codes provided on your product's identification plate.



Laadige alla täielik juhend veebisaidilt <http://docs.hotpoint.eu> või helistage garantiivoldikus toodud telefoninumbril.

Enne seadme kasutamist lugege need ohutusjuhised läbi. Hoidke need hilisemaks kasutuseks käepärast. Nendes juhistes ja seadmel endal on toodud olulised hoiatused, mida tuleb alati järgida. Tootja ei vastuta selle eest, kui ohutusjuhiseid ei järgita, seadet kasutatakse valesti või määratakse sellele sobimatu seadistus.

⚠ **HOIATUS!** Kui pliidiplaat on pragunenud, ei tohi seadet kasutada, sest tekib elektrilöögioht.

⚠ **HOIATUS!** Süttimisohu: ärge hoidke toiduvalmistamise pindadel esemeid.

⚠ **TÄHELEPANU!** Küpsetamist tuleb jälgida. Lühidat küpsetamist tuleb jälgida pidevalt.

⚠ **HOIATUS!** Rasva või õliga toidu küpsemine pliidiil ilma järelevalveta võib olla ohtlik, sest tekib tuleoht. **ÄRGE KUNAGI** püüdke kustutada tuld veega, selle asemel lülitage seade välja ja seejärel katke leegid näiteks kaane või tuletikuga.

⚠ Ärge kasutage pliidiplaati töö- või abipinnana. Hoidke riided ja muud tuleohtlikud materjalid seadmest eemal, kuni kõik selle osad on täielikult maha jahtunud, vastasel juhul võib tekkida tuleoht.

#### **LUBATUD KASUTUS**

⚠ **TÄHELEPANU!** Seade ei ole mõeldud kasutamiseks välise lülitusseadmega, nagu taimer, ega eraldi kaugjuhtimissüsteemiga.

⚠ Seade on ettenähtud kasutamiseks kodumajapidamises ja teistes sarnastes kohtades, nagu: kaupluste, kontorite ja teiste töökeskkondade töötajate köögipiirkondades; talumajapidamistes; klientide poolt hotellides, motellides, hommikusöögiga majutusasutustes ja teistes majutusettevõtetes.

⚠ Muud kasutusviisid (nt ruumide kütmine) pole lubatud.

⚠ Seade ei ole mõeldud professionaalseks kasutuseks. Ärge kasutage seadet välitingimustes.

⚠ Väikelapsed (vanuses 0-3 aastat) tuleb seadmest eemal hoida. Lapsed (vanuses 3-8 aastat) tuleb seadmest eemal hoida, kui nende järele ei valvata. Lapsed alates 8 eluaastast ja isikud, kes on piiratud füüsiliste, sensoorsete või vaimsete võimetega või ilma kogemuste või teadmisteta, võivad seadet kasutada ainult siis, kui nende tegevust jälgitakse või neid on seadme ohutuks kasutamiseks juhendatud ja nad mõistavad sellega seotud ohtusid. Jälgige, et lapsed seadmega ei mängiks. Lapsed ei tohi seadet ilma järelevalveta puhastada ega hooldada.

⚠ **HOIATUS!** Seade ja selle ligipääsetavad osad muutuvad kasutamisel kuumaks. Vältige kütteelementide puudutamist. Nooremad kui 8 aastased lapsed tuleb seadmest eemal hoida, kui nende tegevust pidevalt ei jälgita.

#### **PAIGALDAMINE**

⚠ Seadet tuleb käsitseda ja paigaldada kahe või enama inimesega, vastasel juhul tekib vigastuste oht. Lahtipakkimisel ja paigaldamisel kandke kaitsekindaid, sest tekib löi- oht.

⚠ Paigaldustööd, sh vee- (vajaduse korral) ja elektriühenduse loomine ning parandustööd, peab tegema vastava väljaõppega tehnik. Ärge parandage ega asendage seadme osi, kui seda kasutusjuhendis otseselt ei soovitata. Hoidke lapsed paigalduspiirkonnast eemal. Veenduge pärast seadme lahtipakkimist, et see ei ole transportimisel kahjustada saanud. Probleemide korral võtke ühendust edasimüüja või lähima teeninduskeskusega. Pärast paigalduse lõppu tuleb jäätmed (kile, vahtplast jms) panna hoiule lastele kättesaamatusse kohta, sest vastasel juhul tekib lämbumisoht. Enne paigaldamist tuleb seade vooluvõrgust lahti ühendada, sest tekib elektrilöögioht. Jälgige paigaldamise ajal, et seade ei kahjustaks toitejuhet, vastasel juhul tekib tule- või elektrilöögioht. Aktiveerige seade alles siis, kui paigaldamine on lõpetatud.

⚠ Kapi mõõtuloikamine peab toimuma enne seadme paikapanekut, eemaldada tuleb ka puidutükid ja saepuru.

⚠ Kui seadet ei paigaldata ahju kohale, peab selle alla vastavasse ruumi panema eraldusplaadi (ei ole komplektis).

#### **ELEKTRIGA SEOTUD HOIATUSED**

⚠ Seadet peab olema võimalik vooluvõrgust lahti ühendada kas pistikut pesast välja tõmmates, kui pistik on juurdepääsetav, või ligipääsetava mitmepooluselise lüliti abil, mis on paigaldatud pistikupesast ülesvoolu kooskõlas riiklike ohutuseeskirjadega. Seade peab olema maandatud vastavalt riiklikele elektriohutustandarditele.

⚠ Ärge kasutage pikendusjuhtmeid, mitmikpesi ega adaptereid. Elektrilised komponendid ei tohi pärast paigaldamist olla kasutajale ligipääsetavad. Ärge kasutage seadet märjana ega paljajalu. Ärge kasutage seadet, kui selle toitejuhe või pistik on vigane, kui see ei tööta korralikult või kui see on kahjustatud või maha kukkunud.

⚠ Paigaldamine toitekaabli pistiku abil ei ole lubatud, välja arvatud juhul, kui toode on juba varustatud tootja poolt pakutava pistikuga.

⚠ Kui toitejuhe on kahjustatud, peab tootja, volitatud teenindus või muu kvalifitseeritud isik selle samaväärse juhtmega asendama, et vältida elektrilöögiohtu.

#### **PUHASTAMINE JA HOOLDAMINE**

⚠ **HOIATUS!** Enne hooldustööde tegemist veenduge, et seade on välja lülitatud ja toitevõrgust lahti ühendatud; ärge kunagi kasutage aurpuhastusseadmeid, sest nendega tekib elektrilöögioht.

⚠ Ärge kasutage abrasiivseid või söövitavaid tooteid, klooripõhiseid puhastusvahendeid ega traatnuustikuid.

## PAKKEMATERJALIDE ÄRAVISKAMINE

Pakkematerjal on 100% taaskäideldav ja märgistatud taaskäitlemise sümboliga




Pakendi osad tuleb ära visata kohusetundlikult ja täies vastavuses kohalike jäätmekäitlusnõuetega.

## MAJAPIDAMISSEADMETE UTILISEERIMINE

See seade on toodetud taaskasutatavatest materjalidest. Kõrvaldage seade vastavalt kohalikele jäätmekäitluseeskirjadele. Elektriliste majapidamisseadmete jäätmekäitluse kohta saate täpsemat teavet kohalikust omavalitsusest, majapidamisseadmete kogumispunktist või poest, kust seadme ostsite. Seade on tähistatud vastavuses Euroopa Parlamendi ja nõukogu direktiiviga 2012/19/EL elektri- ja elektroonikaseadmetest tekkinud jäätmete kohta (WEEE) ja elektri- ja elektroonikaseadmetest tekkinud jäätmete 2013. aasta määrustega (uuendatud sõnastus).

Tagades seadme korrektse utiliseerimise, aitate hoida ära potentsiaalseid negatiivseid mõjusid keskkonnale ja inimeste tervisele.

Sümbol  seadmel või seadmega kaasapandud dokumentatsioonis näitab, et seadet ei tohi käidelda olmejäätmena, vaid et see tuleb toimetada lähimasse elektri- ja elektroonikaseadmete kogumispunkti.

## ENERGIASÄÄSTUNIPID

Kasutage maksimaalselt ära pliidiplaadi jääksoojust - lülitage pliit välja mõni minut enne toiduvalmistamise lõppu.

Poti või panni põhi peaks pliidirõnga täielikult katma; pliidirõngast väiksem nõu laseb osa energiast raisku.

Katke potid-pannid toiduvalmistamise ajal tihedalt sulguva kaanega ja kasutage võimalikult vähe vett. Kaaneta toiduvalmistamine suurendab märgatavalt energiatarbimist.

**Kasutage ainult lameda põhjaga potte ja panne.**

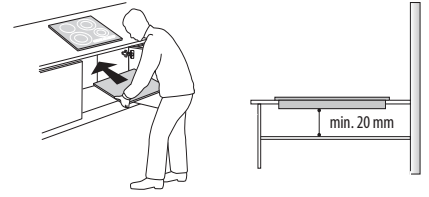
## VASTAVUSDEKLARATSIOON

Seade on vastavuses komisjoni määruse (EL) 66/2014 ökodisaininõuetega, energiamõjuga toodete ökodisaini ja energiateabe (muudatus) (EL-ist väljaastumine) määrustega 2019, mis on kooskõlas Euroopa standardiga EN 60350-2.



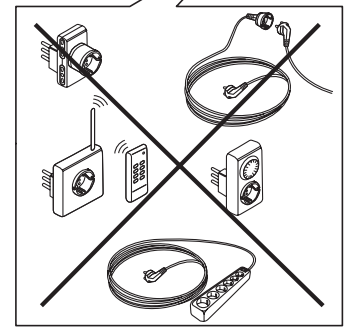
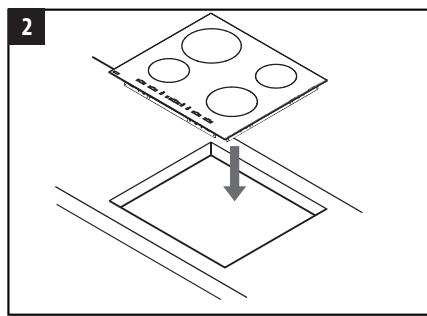
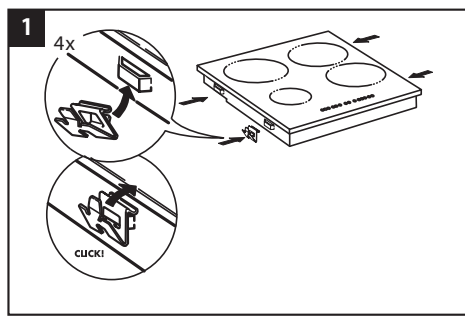
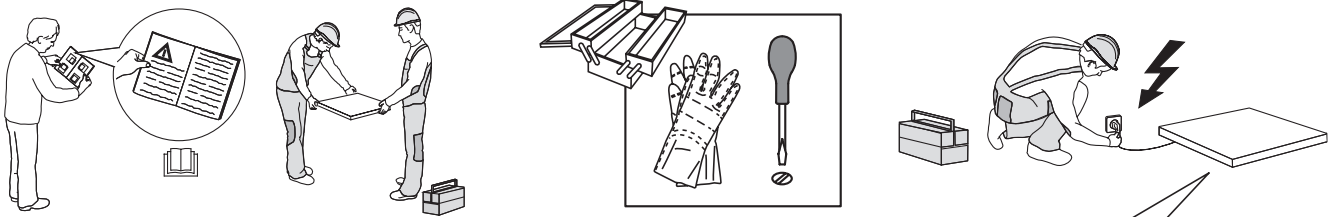
# PAIGALDAMINE

- Pliidiplaat tuleb asetada vähemalt 20 mm sügavusele töötasapinnale.
- Pliidi ja ahju vahel ei tohi midagi olla (ristsiinid, klambrid, jne).
- Veenduge, et toitejuhe oleks mugavaks paigaldamiseks piisavalt pikk.
- Keraamilisest klaasist pliidiplaadi alumise külje ja kapi või eralduspaneeli vahele peab jääma vähemalt 20 mm ruumi.
- Integreerimise mõõtmeid ja paigaldust vaadake selles jaotises olevalt pildilt.
- Pliidiplaadi ja selle kohal oleva õhupuhasi vahel peab olema minimaalne kaugus. Vaadake lisateavet õhupuhasi kasutusjuhendist.
- Kui olete pliidi pinna puhastanud, pange sellele komplekti lisatud tihend (kui seda pole juba paigaldatud).
- **Ärge paigaldage pliiti nõudepesumasina ega pesumasina lähedale, siis ei pääse aur ja niiskus elektroonikasõlme, mis võiks seda kahjustada.**
- Kui pliidi alla paigaldatakse ahi, veenduge, et see oleks varustatud jahutusüsteemiga. Kui elektroonikasõlme temperatuur läheb lubatust suuremaks, lülitub pliit automaatselt välja; sel juhul oodake mõni minut, kuni elektroonikasõlme sisetemperatuur on piisavalt langenud ja pliidiplaadi saab uuesti sisse lülitada.

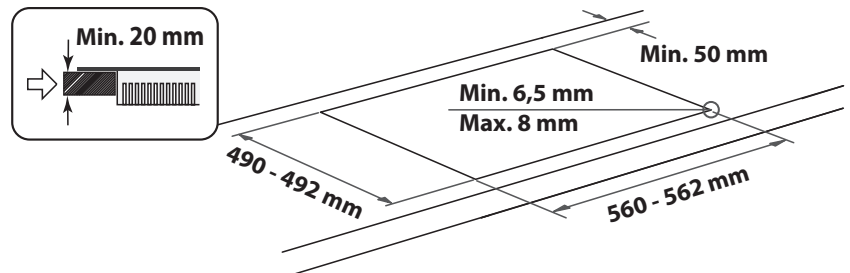
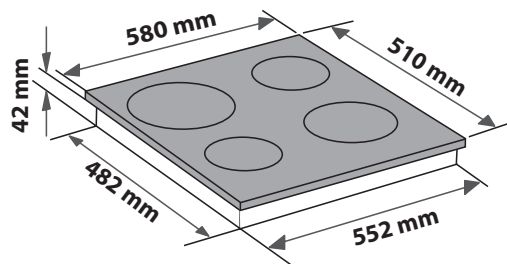
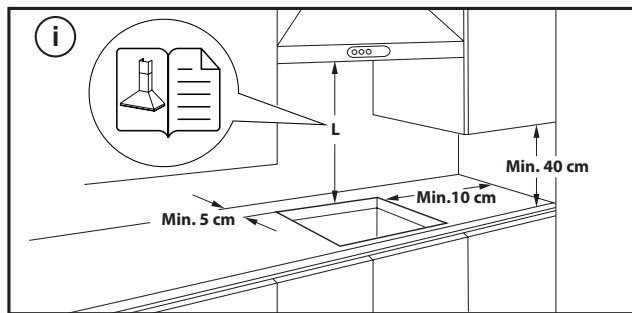


## PLIIDIPLAADI PAIGUTAMINE

Pärast elektriga ühendamist (vt peatükk "Elektriühendus") asetage kõik kinnitusklambrid ettenähtud pesadesse pliidiplaadi külgedel, nagu pildil näidatud. See järel lükake pliidiplaat väljalõikesse ja veenduge, et klaas oleks tööpinnaga samal kõrgusel. Kinnitusklambrid sobivad kasutamiseks igat tüüpi tööpinnaga (puu, marmor jne).



## MÕÖTMED JA VAHEKAUGUSED



## PLIIDIPLAADI EEMALDAMINE:

Pliidiplaadi eemaldamiseks ühendage see esmalt vooluvõrgust lahti. On tungivalt soovitatav eemaldada alumine osa ahjust, sahtlist, separaatorist või muust. See võimaldab tehnikul pääseda juurde pliidiplaadi alumisele osale, keeramaks kruvikeerajaga neli klambrit lahti, tõsta ja eemaldada pliidiplaat, vältides tööpinnaga kahjustamist.



# ELEKTRIÜHENDUS

Elektriühendus tuleb luua enne seadme toitevõrku ühendamist.

Toitejuhe ei kuulu komplekti – ärge unustage toitejuhet ise ette valmistada.




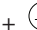
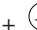
Paigalduse peavad teostama kvalifitseeritud töötajad, kes tunnevad kehtivaid ohutus- ja paigalduseeskirju. Paigaldus tuleb teha vastavalt kohaliku elektrivõtte eeskirjadele.

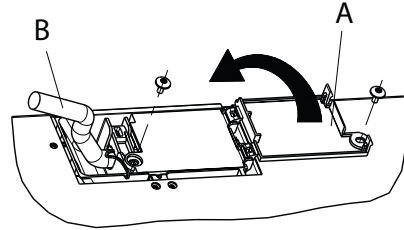
Veenduge, et seadme põhjal olevale andmeplaadile märgitud pinge vastab teie koduse vooluvõrgu pingele.

Eeskirjad, mis nõuavad seadme maandamist: Kasutage ainult sobiva suurusega elektrijuhte (k.a maandusjuht).

## ÜHENDAMINE KLEMMIPLOKIGA


Kasutage elektriühenduseks kaablit H05RR-F või H05V2V2-F, nagu on viidatud allpool olevas tabelis.

TOITEPINGE	JUHTMED ARV x SUURUS
220-240V ~+ 	3 x 4 mm <sup>2</sup>
230-240V ~+ 	3 x 4 mm <sup>2</sup> (ainult Austraalia)
220-240V 3~+ 	4 x 1,5 mm <sup>2</sup>
380-415V 3N~+ 	5 x 1,5 mm <sup>2</sup>
380-425V 2N~+ 	4 x 1,5 mm <sup>2</sup>



Seade tuleb ühendada toitevõrku kõiki poolusi lahutava lüliti kaudu, mille kontaktivahe on vähemalt 3 mm.

**TÄHELEPANU!** Toitekaabel peab olema piisavalt pikk, et pliiti saaks tööpinna eemaldada, ja see tuleb paigutada nii, et aluse tekitatud kuumus seda kahjustada ei saaks.

**MÄRKUS:** Kollane/roheline maandusjuhe tuleb ühendada klemmiga, mille on sümbol , ja see peab teistest juhtmetest pikem olema.

- Eemaldage ligikaudu 70 mm toitekaabli varjestusest **(B)**.
- Eemaldage ligikaudu 10 mm juhtmete varjestusest. Seejärel sisestage toitekaabel kaabliklambrisse ja ühendage juhtmed klemmiplokiga, nagu on näidatud klemmiploki juures asuval ühendusdiagrammil.
- Kinnitage toitekaabel **(B)** kaabliklambriga.
- Sulgege klemmiplokk kattega **(A)**, kinnitades selle komplekti lisatud kruviga.
- Pärast elektriga ühendamist paigaldage pliidiplaat ülevalt poolt ja kinnitage see tugivedrude külge, nagu joonisel näidatud.

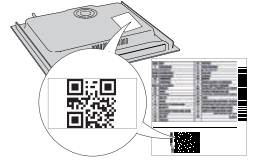


**TÄNAME, ET OSTSITE WHIRLPOOL TOOTE**  
Parema tugiteenuse saamiseks registreerige oma seade  
aadressil [www.hotpoint.eu/register](http://www.hotpoint.eu/register).

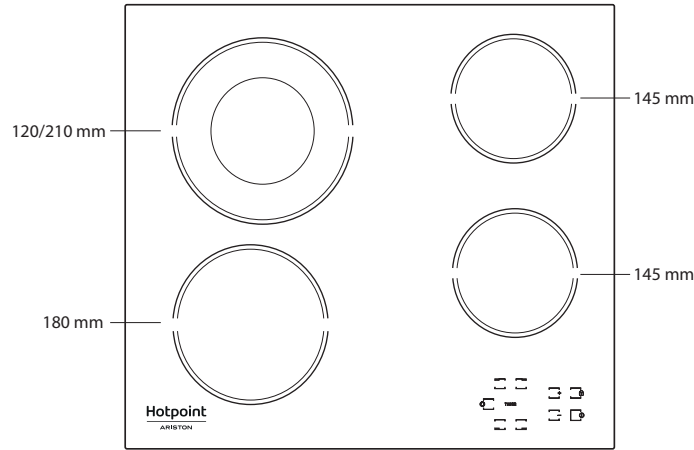


**Enne seadme kasutamist lugege hoolikalt läbi  
ohutusjuhend.**

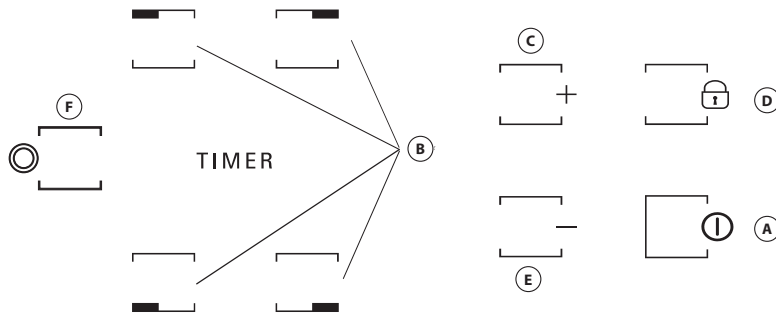
**TÄPSEMA TEABE SAAMISEKS  
SKANNIGE OMA SEADME QR-  
KOOD**



## TOOTE KIRJELDUS



## JUHTPANEEL



- A** Sisse/välja
- B** Keeduala ja taimeri valimine
- C-E** Kuumusseadistuse suurendamine ja vähendamine
- D** Nupulukk
- F** Laiendatud tsooni aktiveerimine/deaktiveerimine

## ESIMEST KORDA KASUTAMINE

Esimesel paigaldamisel teostab juhtpaneel umbes 1 sekundi kestva funktsionaalse testi, pärast mida lülitub seade automaatselt funktsiooni "Nupulukk".

Funktsiooni väljalülitamiseks vajutage ja hoidke nuppu "D"; kostub helisignaali ja vastav led lülitub välja.

**MÄRKUS:** Lähtestamise korral korra eelkirjeldatud toimingut.

## IGAPÄEVANE KASUTAMINE



### PLIIDIPLAADI LÜLITAMINE SISSE/VÄLJA

Pliidi sisselülitamiseks hoidke nuppu "A" umbes 2 sekundit alla surutuna. 4 keeduala näidikut näitavad "0".

Kui 20 sekundi jooksul ei lülitata ühtegi keeduala sisse, lülitub pliit turvameetmena automaatselt välja.

### KEEDUALADE SISSELÜLITAMINE JA REGULEERIMINE

Vajutage ühte nuppudest "B" vastavalt keedualale, mida soovite kasutada hakata. Valige nuppudega "E" või "C" vajalik kuumusseadistus. Teiste valitavate küpsetuseadistuste seadistusvahemik on 1 kuni 9. Kõikide seadistuste tühistamiseks vajutage samaaegselt nuppe "+/-".

**TÄHTIS:** Juhtseadis lülitub 10 sekundit pärast kuumusseadistuse valimist välja. Kuumusseadistuse muutmiseks vajutage esmalt uuesti valimisnupule "B" ja muutke seejärel nuppudega "E" või "C" seadistus.



### LISAALAGA KEEDUALA

Soovitud keeduala valimise ja taseme seadistamise järel (nagu eelmises lõigus kirjeldatud), vajutage "F": nupu kohal olev näidik süttib ja lülitab sisse lisaala. Lisaalaga keeduala saab kasutada ainult järgmistel tingimustel:

- Keedualal on olemas lisaala;
- Valitud võimsustase on suurem kui 0.

Lisaalaga keeduala väljalülitamiseks vajutage soovitud keeduala nuppu "B" ja vajutage seejärel uuesti "F".

### TIMER

Taimerifunktsiooni seadistamiseks valige soovitud keeduala ja võimsustase, vajutage seejärel uuesti keeduala nuppu ja taimeri juhitud keeduala näidikule ilmub valgustäpp. Näidik "00" vilgub 2 näidikul. Vajutage nuppu "E" või "C", et seadistada aeg vahemikus 1 kuni 99.

**TÄHELEPANU!** 10 sekundi möödudes näitavad taimerinäidikud teiste keedualade võimsusseadistust.

Järelejäänud valmistamisaja vaatamiseks vajutage kaks korda taimeriga juhitud keeduala nuppu.

## A FUNKTSIOON

See funktsioon võimaldab automaatselt vähendada keeduala võimsustaset kõrgeimalt väärtuselt (tase 9) kasutaja poolt hilisemaks toiduvalmistamisetapiks valitud tasemele.

Selle funktsiooni aktiveerimiseks vajutage 9. taseme saavutamisel esmalt nuppu "+".

Ekraanil on "A" ja "9" vilgub vaheldumisi väikese heledusega.

Sel hetkel valige soovitud võimsustase (alla 9) nupuga "-".

"A" ja valitud tase vilguvad ekraanil vaheldumisi vähese heledusega.

Funktsioon aktiveeritakse kui "A" ja valitud tase vilgub ekraanil vaheldumisi intensiivse heledusega.

Kui "A" pole enam ekraanil nähtav (funktsioon "A" lülitub olenevalt seadistatud võimsustasemest mõne minuti pärast automaatselt välja), jätkub küpsetusprotsess väiksema võimsusega ja ekraanil kuvatakse ainult valitud võimsustase.

**N.B.:** see funktsioon pole 9. tasemega võimalik.



## NUPULUKK

Funktsioon Nupulukk lülitub sisse, kui hoida nuppu "D" all kuni funktsiooninupu kohale ilmub valgustäpp. Juhtpaneel on lukustatud; ainsana toimib väljalülitamise funktsioon. Funktsioon jääb sisse ka pärast pliidi välja- ja seejärel uuesti sisselülitamist ning seda saab välja lülitada vajutades uuesti nuppu "D" kuni funktsiooninupu kohal olev täpp ära kustub.

Kui pliidiplaat on välja lülitatud ja nupulukk on pliidiplaadi sisselülitamiseks aktiveeritud, deaktiveerige esmalt nuppu lukustusfunktsioon, vajutades uuesti nuppu D, kuni funktsiooninupu kohal olev punkt kustub.

Vee olemasolu, pottidest mahaloksunud vedelik või mis tahes juhtnuppudele toetuvad esemed võivad nuppu luku kogemata sisse või välja lülitada.



## JÄÄKKUUMUSE NÄIDIK

Keeduala väljalülitamisel jääb jääkkuumuse näidik "H" põlema või vilgub vahelduvalt kirjega "0", kuni pliidi temperatuur on langenud ohutule tasemele.

## KÜPSETUSTABEL

VÕIMSUSTASE		TOIDUVALMISTAMISE TÜÜP	TASEME KASUTAMINE (tähistab toiduvalmistamise kogemust ja harjumusi)
Maksimumvõimsus	9	Keetmine	Ideaalne toidu temperatuuri kiireks tõstmiseks kuni kiire keemiseni vee või küpsetusvedelike kiireks kuumutamiseks.
	9–8	Kõrvetamine	Ideaalne pruunistamiseks, küpsetamise alustamiseks, külmutatud toodete praadimiseks, kiireks keetmiseks.
Kõrge võimsus	8–7	Pruunistamine – keetmise säilitamine – grillimine	Ideaalne pruunistamiseks, intensiivse keetmise säilitamiseks, küpsetamiseks ja grillimiseks (lühiajaline, 5-10 minutit).
	7–6	Praadimine – keetmine – grillimine	Ideaalne madalal kuumusel hoidmiseks, toiduvalmistamiseks ja grillimiseks (keskmine kestus, 10-20 minutit), eelkuumutamiseks ja praadimiseks.
Keskmine võimsus	6–5	Õrn praadimine	Ideaalne munade, omleti praadimiseks.
	5–4	Keetmine – moorimine – hautamine	Ideaalne pikemaks keetmiseks (riis, kastmed, praed, kala) vedelikega (nt vesi, vein, puljong, piim), pasta kooses keetmine.
	4–3	Paksendamine – pasta kooses keetmine	Ideaalne pikemaks keetmiseks (riis, kastmed, praed, kala) vedelikega (nt vesi, vein, minestrone), risotode hautamiseks ja serveeritavate roogade soojas hoidmiseks.
Väike võimsus	2–1	Toidu soojana hoidmine – risotto hautamine	Ideaalne väikeste toodete sulatamiseks ja šokolaadi või või õrnaks sulatamiseks.
Miinimumvõimsus	1	Sulatamine	Ideaalne väikeste toodete sulatamiseks ja šokolaadi või või õrnaks sulatamiseks.
Nullvõimsus	0	–	Pliidiplaat on oote- või väljalülitatud režiimis (võimalik küpsetamise lõpp, tähistatud tähega "H").

## PUHASTAMINE JA HOOLDAMINE

### ⚠ Võtke pistik seinakontaktist välja.

- Ärge kasutage aurupuhastusseadmeid.
- Ärge kasutage abrasiivseid švamme ega küürimispatju, kuna need võivad klaasi kahjustada.
- Puhastage pliidiplaat pärast iga kasutamist (kui pliidiplaat on jahe), et eemaldada kõik toidujäägid ja -plekid.

**TÄHELEPANU!** Pliidi turvafunktsioonide hulka kuulub ka automaatse väljalülitamise funktsioon. Sama kuumusseadistusega pikaajaline kasutamine käivitab keeduala automaatse väljalülitamise (näiteks pärast 1 tundi maksimaalsel kuumusseadistusel lülitub keeduala välja).

**TÄHELEPANU!** Vältimaks pliidiplaadi jäädavat kahjustamist:

- ärge kasutage potte, mille põhi ei ole tasane;
- ärge kasutage emailitud põhjaga metallpotte;
- ärge pange kuumi potte/panne juhtpaneeli peale.

Pliidiplaadil on ka automaatse väljalülitamise funktsioon, mis lülitab sõltuvalt võimsuse seadistusest keeduala välja, kui võimsustaset teatud aja jooksul ei muudeta. Tabelis on iga võimsustaseme kestus.

VÕIMSUSASTE	AUTOMAATNE VÄLJALÜLITUSAEG
0	30 sekundit
1	10 tundi
2	5 tundi
3	5 tundi
4	4 tundi
5	3 tundi
6	2 tundi
7	2 tundi
8	2 tundi
9	1 tund

Kui pliidiplaat ei tööta korralikult, püüdke enne müügijärgse teeninduse poole pöördumist veaotsingu juhendi abil probleem ise kindlaks teha.

- Lugege läbi jaotis "Igapäevane kasutamine" ja järgige selles toodud juhiseid.
- Kontrollige, et voolutoide ei oleks välja lülitatud.
- Kuivatage pliidiplaat pärast selle puhastamist põhjalikult.
- Kui keeduala on valitud ja ekraanil kuvatakse "F" või "ER" ja seejärel number, võtke ühendust müügijärgse teenindusega ja teavitage neid.
- Kui veakoodiks on "F03", "ER03" või "E02", proovige seda lahendada, järgides järgmisi juhiseid:
  - Kui kuvatakse rike "E02", veenduge, et te pole nuppe üle 5 sekundi vajutanud, HMI-alal pole ühtegi eset ning et see oleks puhas ja kuiv – puhastamisel järgige puhastamise ja hoolduse lõiku.
  - Kui kuvatakse tõrge "F03", proovige pliidiplaat välja ja uuesti sisse lülitada.
  - Kui kuvatakse tõrge "F04", võtke ühendust müügijärgse teenindusega ja andke neile teada, millist koodi kuvatakse.
- Kui pliit ei tööta pärast intensiivset kasutamist, on põhjuseks pliidi liiga kõrge sisemine temperatuur. Oodake mõni minut, kuni pliit maha jahtub.

- Kui kütteseade ei ole pidevalt sisse lülitatud, vaid lülitub tsükliiselt sisse ja välja, isegi kui ekraanil kuvatav võimsustase ei muutu, on see osa pliidiplaadi tavapärasest tööst. Sisse/välja tsükkel võimaldab reguleerida küttekeha võimsust ja on täiesti normaalne. Mõnel juhul võib termokaitse küttekeha mõneks ajaks välja lülitada, et vältida klaasi kahjustamist. Selliste juhtumite näited on: pikka aega suure võimsusega küpsetamine, kasutades kütteelemendist väiksemaid potte, mitte lamedapõhjalisi potte.
- Kui pliidiplaadilt kostab lühikest heli, ilma et klient ühtki nuppu vajutaks, kontrollige, kas HMI-le on sattunud vedelikku. Kuivatage HMI ja lülitage jätkake pliidiplaadi kasutamist. Kui pliidiplaat on automaatselt välja lülitatud, võib selle põhjuseks olla HMI vedeliku olemasolu. Kuivatage HMI ja lülitage pliidiplaat uuesti sisse.

Kui pärast ülalpool toodud kontrolle jääb viga püsima, pöörduge lähimasse müügijärgsesse teenindusse.

## MÜÜGIJÄRGNE TEENINDUS

Parema tugiteenuse saamiseks registreerige oma seade aadressil [www.hotpoint.eu/register](http://www.hotpoint.eu/register).

### ENNE MÜÜGIJÄRGSESSE TEENINDUSSE HELISTAMIST:

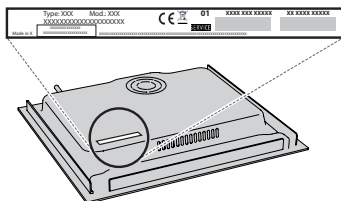
1. Proovige probleemi ise **VEAOTSINGU JUHENDIS** olevate näpunäidete abil lahendada.
2. Lülitage seade välja ja uuesti sisse, et näha, kas probleem on kõrvaldatud.

### KUI VIGA JÄÄB PÜSIMA KA PÄRAST ÜLALKIRJELDATUD KONTROLLIMISI, VÕTKE ÜHENDUST LÄHIMA TEENINDUSEGA.

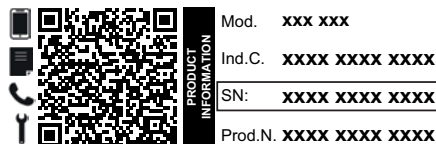
Abi saamiseks helistage garantiijuhendis toodud numbril või järgige juhiseid veebilehelt [www.hotpoint.eu](http://www.hotpoint.eu).

Kui võtate ühendust meie klientidele mõeldud müügijärgse teenindusega, olge valmis esitama järgmisi andmeid:

- tõrke lühike kirjeldus;
- seadme tüüp ja täpne mudel;



- seerianumber (number, mis järgneb seadme all oleval andmesildil tähisele SN). Seerianumber on toodud ka dokumentatsioonis;



- teie täielik aadress;
- teie telefoninumber

Kui seadet on vaja ükskõik millisel viisil remontida, pöörduge volitatud teenindusse (see garanteerib originaalvaruosade kasutamise ja kvaliteetse remondi).

### Poliitika, standardite dokumentatsiooni ja toote lisateabe lugemiseks tehke järgmist:

- kasutage oma seadme QR-koodi;
- külastage meie veebisaiti [docs.hotpoint.eu](http://docs.hotpoint.eu);
- teise võimalusena võtke ühendust meie müügijärgse teeninduskeskusega (vt telefoninumbrist garantiikirjas). Kui võtate ühendust müügijärgse teenindusega, siis teatage neile oma toote andmeplaadil olevad koodid.



Išsamias naudotojo instrukcijas galite atsisiųsti iš svetainės <http://docs.hotpoint.eu> arba skambinkite telefonu, kuris nurodytas garantijos knygelėje.

Prieš naudodami prietaisą, perskaitykite šias saugos instrukcijas. Išsaugokite jas ateičiai.

Šiame vadove ir ant prietaiso pateikti svarbūs saugos perspėjimai, kuriuos būtina perskaityti ir visada laikytis. Gamintojas nepisiima atsakomybės, jei nesilaikoma šioje saugos instrukcijoje pateiktų nurodymų, prietaisas naudojamas netinkamai arba neteisingai nustatomi valdymo įtaisai.

⚠ **ĮSPĖJIMAS.** Jei kaitlentės paviršius subraižytas, prietaiso nenaudokite – kyla elektros smūgio pavojus.

⚠ **ĮSPĖJIMAS.** Ugnies pavojus: nelaikykite daiktų ant gaminimo paviršiaus.

⚠ **DĖMESIO.** Stebėkite visą gaminimo procesą. Negalima palikti be priežiūros net trumpo gaminimo proceso.

⚠ **ĮSPĖJIMAS.** Jei ant kaitlentės neprižiūrint verda riebalai arba aliejus, tai gali būti pavojinga – kyla gaisro pavojus. **JOKIU BŪDU** nebandykite liepsnos gesinti vandeniui; prietaisą išjunkite ir liepsną uždenkite, pavyzdžiui, dangčiu arba liepsnai gesinti skirtu audiniu.

⚠ Kaitlentės nenaudokite kaip darbo stalo ar atramos. Kol visi prietaiso komponentai visiškai neatvės, stenkitės neprisiliesti prie prietaiso drabužiais arba kitomis lengvai užsiliepsnojančiomis medžiagomis – kyla gaisro pavojus.

⚠ Labai maži vaikai (0–3 metų) turi būti saugiu atstumu nuo prietaiso. Vyresni vaikai (3–8 metų) turi būti saugiu atstumu nuo prietaiso, nebent visą laiką yra prižiūrimi. Šį prietaisą gali naudoti vaikai nuo 8 metų ir vyresni bei asmenys, turintys psichinį, jutiminį ar protinį neįgalumą arba tie, kuriems trūksta patirties arba žinių, jeigu jie yra prižiūrimi ir instruktuojami apie saugų prietaiso naudojimą ir supranta su tuo susijusius pavojus. Neleiskite vaikams žaisti su prietaisu. Neprižiūrimi vaikai neturėtų valyti ir prižiūrėti prietaiso.

⚠ **ĮSPĖJIMAS.** Prietaisas ir pasiekiamos jo dalys naudojant įkaista. Būkite atsargūs ir neprisilieskite prie kaitinimo elementų. Prietaisą reikia saugoti nuo jaunesnių nei 8 metų vaikų, jeigu jie nėra nuolat prižiūrimi.

### LEISTINAS NAUDOJIMAS

⚠ **DĖMESIO.** Prietaisas nėra pritaikytas valdyti naudojant išorinį perjungimo įrenginį, pvz., laikmatį arba atskirą nuotolinio valdymo sistemą.

⚠ Šis prietaisas skirtas naudoti namų ūkyje ir panašiose patalpose, pavyzdžiui: parduotuvių, biurų ir kitų įstaigų darbuotojų virtuvėse; gyvenamuosiuose namuose; viešbučiuose, moteliuose, nakvynės vietose, kur patiekiami pusryčiai (angl. "Bed and Breakfast"), bei kitose apgyvendinimo įstaigose.

⚠ Kitoks naudojimas draudžiamas (pvz., kambariams šildyti).

⚠ Šis prietaisas nėra skirtas profesionaliam naudojimui. Prietaiso nenaudokite lauke.

### MONTAVIMAS

⚠ Prietaisą perkelti ir įrengti turi du ar daugiau žmonių. Priešingu atveju galite susižeisti. Mūvėkite apsaugines pirštines, kai išpakuojate ir montuojate prietaisą. Priešingu atveju galite įsijauti.

⚠ Įrengimą, taip pat prijungimo prie vandentiekio, elektros tinklo ir remonto darbus turi atlikti kvalifikuotas technikas. Prietaisą remontuoti ar jo dalis keisti galima tik tuo atveju, jeitai nurodyta naudotojo vadove. Pasirūpinkite, kad montavimo vietoje nebūtų vaikų. Išpakavę prietaisą, patikrinkite, ar jis nebuvo pažeistas transportuojant. Jei kyla problemų, kreipkitės į prekybos atstovą arba artimiausią techninės priežiūros po pardavimo tarnybą. Įrengus prietaisą, pakuotės medžiagas (plastiką, polistireno dalis ir pan.) laikykite vaikams nepasiekiamoje vietoje, kad nekiltų uždusimo pavojus. Prieš vykdant bet kokius įrengimo darbus, prietaisą būtina išjungti iš elektros tinklo, kad nekiltų elektros smūgio pavojus. Pasirūpinkite, kad montuojant, prietaisas nepažeistų maitinimo laido. Priešingu atveju gali kilti gaisro ar elektros smūgio pavojus. Prietaisą įjungti galima tik baigus įrengimo darbus.

⚠ Spintelės pjovimo darbus atlikite prieš montuodami prietaisą į baldus ir nuvalykite visas medienos drožles bei pjuvenas.

⚠ Jei prietaisas nėra montuojamas virš orkaitės, po prietaisu reikia įstatyti skiriamąją plokštę (nepriedama).

### ĮSPĖJIMAI DĖL ELEKTROS

⚠ Prietaisą reikia sumontuoti taip, kad jį būtų galima išjungti iš elektros tinklo ištraukus maitinimo laido kištuką arba iki elektros lizdo pagal sujungimų taisyklės sumontuotu daugiapoliu jungikliu ir prietaisas turi būti įžemintas pagal nacionalinius elektros saugos standartus.

⚠ Nenaudokite ilginamųjų laidų, tinklo lizdo skirstytuvų ir adapterių. Prietaisą įrengus, jo elektros komponentai turi būti nepasiekiami naudotojui. Prietaiso nenaudokite, jei jūsų kūnas yra drėgnas arba esate basi. Šio prietaiso nenaudokite, jei pažeistas jo maitinimo laidas arba kištukas, jei prietaisas veikia netinkamai arba jei jis yra pažeistas ar buvo numestas.

⚠ Įrengti naudojant maitinimo laido kištuką draudžiama, išskyrus atvejus, kai gamintojas pateikia gaminį su kištuku.


⚠ Jei maitinimo laidas pažeistas, jį tokiu pačiu turi pakeisti gamintojas, jo įgaliotas techninės priežiūros darbuotojas ar kitas kvalifikuotas asmuo – taip išvengsite elektros smūgio pavojaus.

### VALYMAS IR PRIEŽIŪRA

⚠ **ĮSPĖJIMAS.** Prieš atlikdami bet kokius techninės priežiūros darbus, prietaisą išjunkite ir atjunkite nuo elektros tinklo, kad nekiltų elektros smūgio pavojus; joku būdu nenaudokite valymo garais įrenginių – kyla elektros smūgio pavojus.

⚠ Nenaudokite braižančių ar ėsdinančių produktų, valiklių su chloru ir šveistukų.

### PAKAVIMO MEDŽIAGŲ IŠMETIMAS

Pakavimo medžiagos yra 100 % perdirbamos ir pažymėtos perdirbimo simboliu .


---

Todėl įvairias pakuotės medžiagas reikia išmesti labai atsakingai ir griežtai laikantis vietos institucijų reglamentų, reguliuojančių atliekų išmetimą.

## **BUITINIŲ PRIETAISŲ ŠALINIMAS**

Šis prietaisas pagamintas naudojant perdirbamas arba pakartotinai naudojamas medžiagas. Prietaisą išmeskite paisydami vietos atliekų išmetimo reglamentų. Dėl išsamesnės informacijos apie buitinių elektrinių prietaisų apdorojimą, utilizavimą ir perdirbimą kreipkitės į įgaliotą vietos instituciją, buitinių atliekų surinkimo įmonę arba parduotuvę, kurioje pirkote prietaisą. Šis prietaisas paženklintas pagal Europos direktyvos 2012/19/ES dėl elektros ir elektronikos įrangos atliekų (EEJA) reikalavimus ir pagal elektros ir elektronikos įrangos atliekų 2013 m. reikalavimus (pataisas).

Tinkamai utilizuodami šį gaminį apsaugosite aplinką ir sveikatą nuo galimo neigiamo poveikio.

Ant prietaiso arba pridedamų dokumentų esantis simbolis  nurodo, kad su šiuo prietaisu negalima elgtis kaip su buitinėmis šiukšlėmis. Jį reikia atiduoti į atitinkamą surinkimo skyrių, kad elektros ir elektronikos įranga būtų perdirbta.

## **ENERGIJOS TAUPYMO PATARIMAI**

Kad išnaudotumėte visas savo kaitlentės galimybes, likus kelioms minutėms iki gaminimosi pabaigos, kaitlentę išjunkite ir pasinaudokite likutine šiluma. Puodo ar keptuvės dugnas turi visiškai uždengti kaitvietę; jei indas yra mažesnis nei kaitvietė, bus be reikalo eikvojama energija.

Gamindami puodus ir keptuves uždenkite gerai priglundančiu dangčiu ir naudokite kuo mažiau vandens. Jei gaminsite nuėmę dangtį, gerokai padidės energijos sąnaudos.

**Naudokite tik plokščiadugnius puodus ir keptuves.**

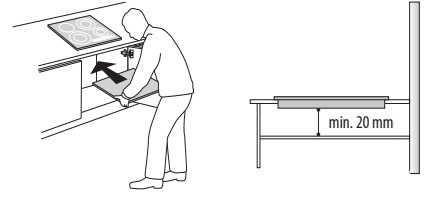
## **ATITIKTIES DEKLARACIJA**

Šis prietaisas atitinka ekologinio projektavimo reikalavimus, numatytus Europos reglamente Nr. 66/2014 ir ekologinio projektavimo reikalavimus su energija susijusiems gaminiams ir energijos informacijos (pataisa) (išėjimas iš ES) 2019 m. reglamentą, vadovaujantis Europos standartu EN 60350-2.



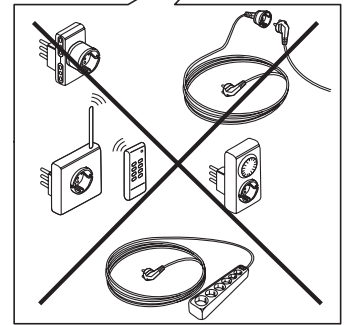
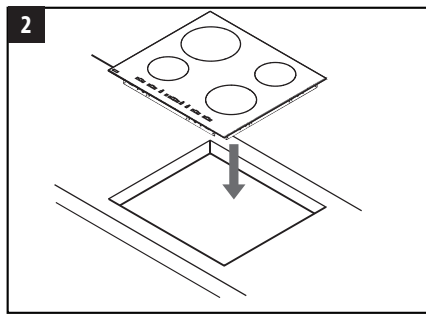
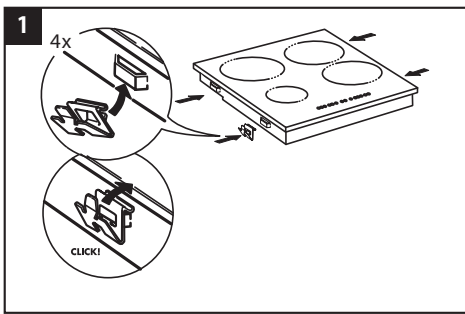
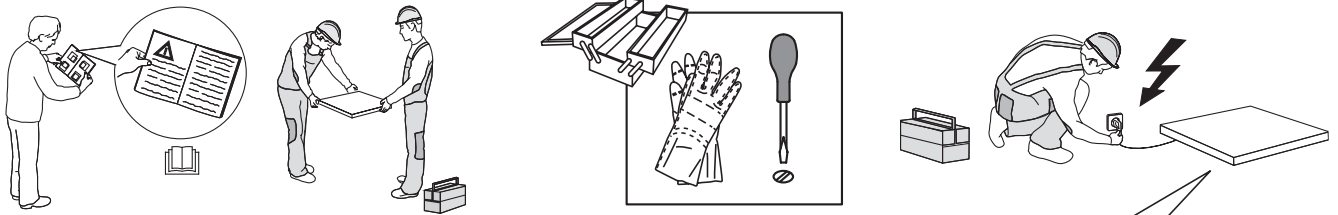
# MONTAVIMAS

- Kaitlentė į stalviršį turi būti įleista mažiausiai 20 mm.
- Tarp kaitlentės ir krosnelės nieko neturi būti (grotelių, laikiklių ir t. t.).
- Įsitikinkite, kad laido ilgio užtenka patogiai įrengti gaminį.
- Atstumas nuo apatinės stiklo keramikos kaitlentės pusės iki spintelės arba skiriamojo skydo turi būti mažiausiai 20 mm.
- Montavimo atstumai ir įrengimo matmenys pateikiami šio skyriaus paveikslėlyje.
- Tarp kaitlentės ir virš jos esančio gartraukio turi būti išlaikytas minimalus atstumas. Daugiau informacijos pateikiama gartraukio naudotojo vadove.
- Nuvalę kaitlentės paviršių panaudokite kartu pateikiamą tarpiklį (jei jis dar nesumontuotas).
- **Nemontuokite kaitlentės arti indų plovimo arba skalbimo mašinos, kad elektros grandinės nesusiliestų su garais ar drėgme, kuri jas pažeistų.**
- Jei po kaitlente yra montuojama krosnelė, joje turi būti aušinimo sistema. Jei elektros grandinių temperatūra viršija didžiausią leidžiamą temperatūrą, kaitlentė turi automatiškai išsijungti; tokiu atveju palaukite kelias minutes, kol vidinė elektros grandinių temperatūra nukris iki leidžiamo lygio, tada galėsite iš naujo įjungti kaitlentę.

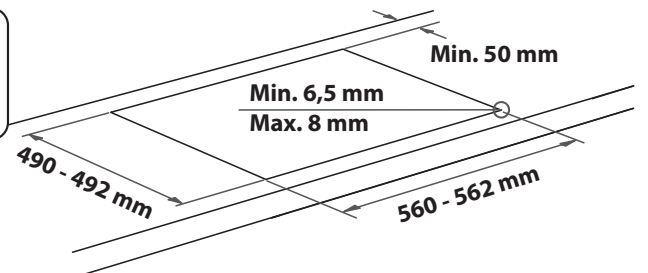
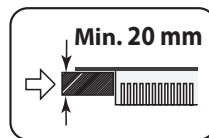
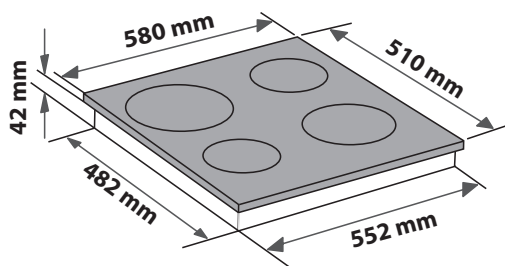
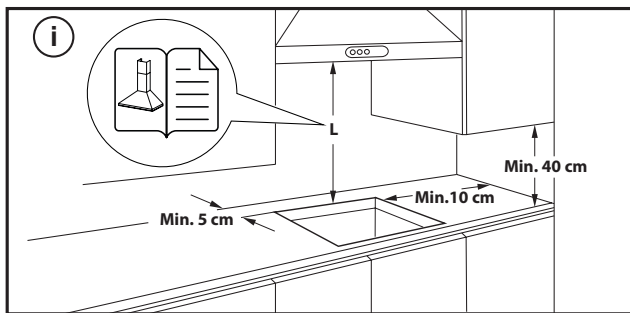


## KAITLENTĖS ĮRENGIMAS

Prijungus elektrą (žr. skyrių "Elektros prijungimas"). Nustatykite, kad visi fiksatoriai sutaptų su skirtomis angomis kaitlentės šonuose, kaip tai pavaizduota paveikslėlyje. Tada spustelėkite kaitlentę į išpjovą ir patikrinkite, ar stiklinis paviršius yra lygus ir lygiagretus stalviršiui. Fiksatorius rinkitės atsižvelgdami į stalviršio medžiagą (medis, marmuras ir t. t.).



## MATMENYS IR ATSTUMAI, KURIUOS BŪTINA IŠLAIKYTI



## KAITLENTĖS PAŠALINIMAS.

Jei norite pašalinti kaitlentę, pirmą atjunkite ją nuo elektros tinklo. Pritygtinai rekomenduojame atlaisvinti apatinę dalį nuo orkaitės, stalčiaus, skiriamosios plokštės ar kt. Taip technikos specialistas galės pasiekti apatinę kaitlentės dalį ir atsuktuvu atsukti keturis fiksatorius, pakelti kaitlentę ir ją pašalinti apsaugant stalviršį nuo bet kokieo pažeidimo.

# ELEKTROS ĮVADAS

Prieš įjungiant prietaisą į elektros tinklą reikia sujungti visas elektros jungtis.

Maitinimo laidas pakuotėje nepriedamas; nepamirškite įsigyti maitinimo laido.




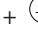
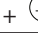
Įrengti gali tik kvalifikuoti darbuotojai, kurie žino galiojančias saugos ir įrengimo taisykles. Įrengiant būtina vadovautis galiojančiais vietinės elektros tiekimo bendrovės reglamentais.

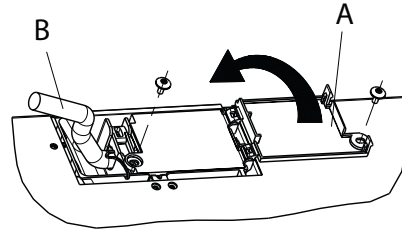
Įsitinkite, kad ant prietaiso dugno esančioje duomenų lentelėje nurodyta įtampa būtų tokia pat kaip namų.

Reglamentuose reikalaujama, kad prietaisas būtų įžemintas. Naudokite tik tinkamus konduktorius (įskaitant įžeminimo konduktorius).

## PRIJUNGIMAS PRIE GNYBTŲ BLOKO

Elektros jungčiai naudokite H05RR-F arba H05V2V2-F kabelį, kaip nurodyta toliau pateiktoje lentelėje.

MAITINIMO ĮTAMPA	KONDUKTORIAI KIEKIS x DYDIS
220-240V ~+ 	3 x 4 mm <sup>2</sup>
230-240V ~+ 	3 x 4 mm <sup>2</sup> (tik Australija)
220-240V 3~+ 	4 x 1,5 mm <sup>2</sup>
380-415V 3N~+ 	5 x 1,5 mm <sup>2</sup>
380-425V 2N~+ 	4 x 1,5 mm <sup>2</sup>



Prietaisą prie elektros tiekimo prijunkite visų polių atjungimo jungikliu, kurio minimalus kontaktinis tarpelis yra 3 mm.

**DĖMESIO.** Maitinimo laidas turi būti pakankamo ilgio, kad kaitlentę būtų galima nukelti nuo stalviršio ir jis turi būti patiestas taip, kad nebūtų pažeistas arba neperkaistų dėl kontakto su pagrindu.

**PASTABA.** Geltonas / žalias įžeminimo laidas turi būti prijungtas prie gnybto, kuris pažymėtas simboliu , ir jis turi būti ilgesnis už kitus laidus.

- Nuo maitinimo laido pašalinkite apie 70 mm izoliacinės medžiagos (**B**).
- Nuo laidų pašalinkite apie 10 mm izoliacinės medžiagos. Maitinimo kabelį įstatykite į kabelio gnybtą ir prijunkite laidus prie gnybtų trinkelės, kaip nurodyta šalia gnybtų trinkelės esančioje schemoje.
- Saugiai prijunkite maitinimo laidą (**B**) panaudodami laido gnybtą.
- Uždenkite gnybtų trinkelę gaubtu (**A**) ir priveržkite jį varžtu.
- Atlikę elektros įvado prijungimą, sulygiuokite kaitlentę su paviršiumi ir įtvirtinkite atraminėse spyruoklėse, kaip parodyta iliustracijoje.





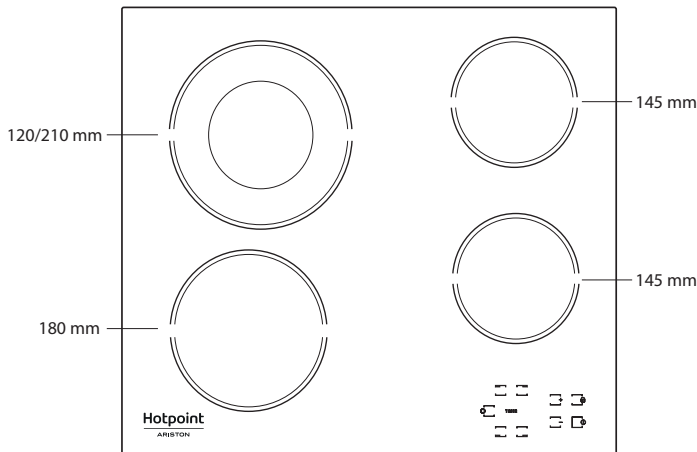
**DĖKOJAME, KAD ĮSIGIJOTE „WHIRLPOOL“ GAMINĮ**  
Kad galėtumėte tinkamai pasinaudoti pagalba, užregistruokite gaminį svetainėje [www.hotpoint.eu/register](http://www.hotpoint.eu/register).

**JEIGU REIKIA DAUGIAU  
INFORMACIJOS, NUSKAITYKITE  
QR KODĄ NAUDODAMIESI SAVO  
PRIETAISŲ**

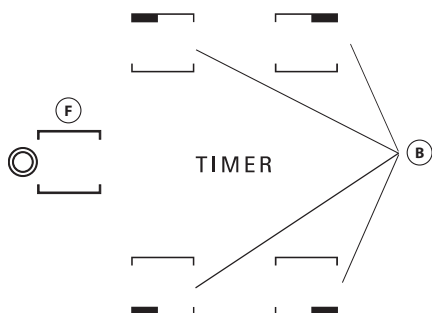


**Prieš naudodamiesi prietaisu atidžiai perskaitykite saugos instrukcijas.**

## GAMINIO APRAŠYMAS



## VALDYMO SKYDELIS



- A** Įjungti / Išjungti
- B** Kaitvietės ir laikmačio pasirinkimas
- C-E** Karščio nustatymo padidinimas ir sumažinimas
- D** Mygtukų užraktą
- F** Sudėtinės kaitvietės įjungimas/išjungimas

## NAUDOJIMAS PIRMĄ KARTĄ

Pirmą kartą įrengus, valdymo skydelis atlieka funkcijų testą, trunkantį maždaug 1 sekundę, po to automatiškai įjungiamą "Mygtukų užraktą" funkcija. Kad išjungtumėte funkciją, paspauskite ir laikykite paspaudę "D" mygtuką;

išgirsite garsinį signalą ir išsijungs atitinkama led lemputė.

**PASTABA:** Jei funkcija neišsijungia, pakartokite anksčiau aprašytą veiksmą.

## KASDIENIS NAUDOJIMAS

### KAITLENTĖS ĮJUNGIMAS / IŠJUNGIMAS

Norėdami įjungti kaitlentę, laikykite nuspaudę "A" mygtuką maždaug 2 sekundes. 4 kaitviečių ekranuose matysite "0". Jei per 20 sekundžių neaktyvinama nė viena kaitvietė, kaitlentė išsijungia automatiškai kaip atsargumo priemonė.

### KAITVIEČIŲ ĮJUNGIMAS IR REGULIAVIMAS

Paspauskite vieną iš "B" mygtukų, atitinkančių kaitvietę, kurią ketinate naudoti. Pasirinkite reikalingą karščio nustatymą "E" arba "C" mygtukais. Kiti pasirinkami gaminimo nustatymai yra nuo 1 iki 9. Norėdami atšaukti visus nustatymus, paspauskite "+/-" mygtukus tuo pačiu metu.

**SVARBU:** pasirinkus karščio nustatymą, 10 sekundžių išjungiamas valdymas. Norėdami pakeisti karščio nustatymą, pirmiausia vėl paspauskite pasirinkimo mygtuką "B", tuomet pakeiskite nustatymą naudodami "E" arba "C" mygtukus.

### KELIŲ KAITVIEČIŲ FUNKCIJA

Pasirinkę norimą kaitvietę ir nustatę jos karščio lygį (kaip aprašyta ankstesniame skyriuje), paspauskite "F": užsidegs virš mygtuko esantis indikatorius, aktyvindamas papildomą kaitvietę.

Kelių kaitviečių funkcija gali būti naudojama, jei:

- Kaitlentėje yra kelios kaitvietės;
- Pasirinktas karščio lygis yra didesnis nei 0.

Norėdami išjungti kelias kaitvietes, paspauskite pageidaujamos kaitvietės "B" mygtuką, o tada dar kartėlį "F" mygtuką.

### TIMER

Norėdami nustatyti "Timer" (Laikmačio) funkciją, pasirinkite pageidaujamą kaitvietę ir karščio nustatymą, tada vėl paspauskite kaitvietės mygtuką – ekrane, laikmačio valdomoje kaitvietėje, atsiras šviečiantis taškas. Indikatorius "00" mirksi 2 ekranuose. Paspauskite "E" arba "C" mygtukus, kad nustatytumėte laiką nuo 1 iki 99.

**SVARBU:** po 10 sekundžių laikmačio ekrane matysite kitų kaitviečių karščio nustatymus.

Norėdami sužinoti likusį gaminimo laiką, paspauskite laikmačio valdomos kaitvietės mygtuką du kartus.

## A FUNKCIJA

Naudojant šią funkciją galima automatiškai sumažinti gaminimo zonos galios lygį nuo didžiausios vertės (9 lygis) iki naudotojo vėlesniam gaminimo etapui pasirinkto lygio.

Norėdami suaktyvinti šią funkciją pirma paspauskite mygtuką "+", kai pasiekiamas 9 lygis.

Ekrane rodomi simboliai "A" ir "9" pakaitomis mirksi nedideliu ryškumu.

Tada mygtuku "-" pasirinkite pageidaujama galios lygį (mažesnę nei 9).

Ekrane pakaitomis nedideliu ryškumu mirksės "A" ir pasirinktas lygis.

Funkcija bus įjungta, kai simbolis "A" ir pasirinktas galios lygis ekrane pakaitomis mirksės dideliu ryškumu.

Kai ekrane nebematyti simbolio "A" ("A" funkcija automatiškai išsijungia po kelių minučių, priklausomai nuo nustatyto galios lygio), gaminimo procesas tęsiamas mažesne galia, o ekrane rodomas tik pasirinktas galios lygis.

**PASTABA.** Ši funkcija negalima naudojant 9 lygį.



## MYGTUKŲ UŽRAKTĄ

"Mygtukų užraktą" funkcija įjungiama laikant nuspaudus "D" mygtuką, kol virš funkcijos mygtuko užsidega taškas. Valdymo skydelis užrakintas, išskyrus išjungimo funkciją. Funkcija lieka įjungta, net išjungus ir vėl įjungus kaitlentę; funkcija gali būti išjungta dar kartą paspaudus mygtuką "D", kol neužgeso virš funkcijos mygtuko esantis taškas.

Kai kaitlentė išjungžiama su įjungtu mygtukų užraktu, norėdami įjungti kaitlentę, pirma išjunkite mygtukų užrakto funkciją dar kartą paspausdami mygtuką "D", kol taškas virš funkcinio mygtuko užges.

Iš puodų ar kitų indų ant valdiklių išpiltas vanduo gali netyčia įjungti arba išjungti mygtukų užraktą.



## LIKUTINĖS ŠILUMOS INDIKATORIUS

Išjungus kaitvietę, likutinės šilumos indikatorius "H" lieka įjungtas arba mirksi pasikeisdamas su "0", kol kaitlentės temperatūra grįžta į saugų lygį.

**SVARBU:** Viena iš kaitlentės saugumo funkcijų – automatinė išsijungimo funkcija. Užsitęsęs to paties karščio nustatymo naudojimas automatiškai išjungia kaitvietę (pavyzdžiui, maždaug po 1 valandos kaitvietės naudojimo maksimaliu karščiu, kaitvietė išsijungia).

**SVARBU:** Jei nenorite sugadinti kaitlentės:

- nenaudokite puodų, kurių dugnas nėra visiškai plokščias;
- nenaudokite metalinių puodų su emaliuotu dugnu;
- nedėkite karštų puodų / keptuvių ant valdymo skydelio.

Kaitlentėje taip pat yra automatinio išsijungimo funkcija, kuri išjungia gaminimo zoną, jei po tam tikro laiko, priklausomai nuo galios nustatymo, nepakeičiamas galios lygis. Lentelėje pateikiama kiekvieno galios lygio trukmė.

GALINGUMO LYGIS	AUTOMATINIS IŠJUNGIMO LAIKAS
0	30 sekundžių
1	10 valandų
2	5 valandos
3	5 valandos
4	4 valandos
5	3 valandos
6	2 valandos
7	2 valandos
8	2 valandos
9	1 valanda

## KEPIMO SĄLYGŲ LENTELĖ

GALINGUMO LYGIS		GAMINIMO TIPAS	NAUDOJAMAS LYGMUO (nurodo gaminimo patirtį ir įpročius)
Maksimali galia	9	Virimas	Idealiai tinka greitai padidinti maisto temperatūrą ir greitai užvirti vandenį arba pašildyti kitus virimo skysčius.
	9 – 8	Paskrudinimas	Idealiai tinka paskrudinti, pradėti virti, skrudinti užšaldytus produktus, greitai virti.
Didelis galingumas	8 – 7	Skrudinimas – virimo palaikymas – kepimas ant grotelių	Idealiai tinka skrudinti, palaikyti intensyvų virimą, gaminti ir kepti ant grotelių (trumpai, 5–10 min.)
	7 – 6	Kepimas – gaminimas – kepimas ant grotelių	Idealiai tinka palaikyti lėtą virimą, gaminti ir kepti ant grotelių (vidutinė trukmė, 10–20 min.), pakaitinti ir kepti.
Vidutinis galingumas	6 – 5	Švelnus kepimas	Idealiai tinka kepant kiaušinius ir omletus.
	5 – 4	Gaminimas – Virinimas – Troškinimas	Idealiai tinka ilgo gaminimo receptams (ryžių, padažų, kepsnių, žuvies) su skysčiais (pvz., vandeniu, vynu, sultiniu, pienu), makaronų su padažu paruošimui.
	4 – 3	Sutirštinimas – makaronų su padažu paruošimas	
Mažas galingumas	2 – 1	Šilto maisto išlaikymas – kreminis daugiaryžis	Idealiai tinka išlaikant šviežiai pagamintą maistą (pvz., padažus, sriubas, minestrone), kreminį daugiaryžį šiltą ir palaikant pagaminto maisto temperatūrą.
Mažiausi galia	1	Atitirpdymas	Idealiai tinka atitirpdant smulkius produktus ir švelniai tirpinant šokoladą arba sviestą.
Nulinis galingumas	0	–	Budėjimo režimu veikianti arba išjungta kaitlentė (gali būti įkaitusi nuo gaminimo; tą parodo "H" raidė).

## VALYMAS IR PRIEŽIŪRA

**⚠ Nuo prietaiso atjunkite elektros maitinimą.**

- Nenaudokite valymo garais įrangos.
- Nenaudokite šiurkščių kempinių arba šveistukų, nes jie gali pažeisti stiklą.
- Valykite kaitlentę po kiekvieno naudojimo (kai atvėsta), kad pašalintumėte maisto likučius ir dėmes.

- Cukrus arba maisto produktai, kurių sudėtyje yra daug cukraus, gali pakenkti kaitlentei, todėl juos reikia nedelsiant pašalinti.
- Druska, cukrus ir smėlis gali subraižyti stiklo paviršių.
- Naudokite minkštą šluostę, sugeriantį virtuvinį popierį arba specialų kaitlenčių valiklį (vadovaukitės gamintojo nurodymais).
- Ant kaitvietės išsiliejus skysčiui, puodai gali pajudėti arba imti vibruoti.
- Nuvalytą kaitlentę kruopščiai nusauskite.

**Hotpoint**

ARISTON

## TRIKČIŲ ŠALINIMAS

Jei kaitlentė neveikia tinkamai, prieš kreipdamiesi į techninės priežiūros po pardavimo tarnybą peržiūrėkite Gedimų šalinimo vadovą ir pabandykite nustatyti problemą.

- Perskaitykite ir vadovaukitės instrukcijomis, kurios pateikiamos skyriuje "Kasdienis naudojimas".
- Patikrinkite, ar neatjungtas elektros tiekimas.
- Nuvalę gerai nusauskite kaitlentę.
- Jei pasirinkus gaminimo zoną ekrane rodoma "F" arba "ER", o po to rodomas skaičius, kreipkitės ir informuokite techninės priežiūros po pardavimo tarnybą.
- Jei rodomas klaidos kodas "F03", "ER03" arba "E02", pabandykite išspręsti problemą vadovaudamiesi šiomis instrukcijomis.
  - Jei rodoma klaida "E02", įsitikinkite, kad nespaudėte mygtukų ilgiau nei 5 sekundes, kad ant HMI srities nėra jokių objektų ir kad ji yra švari ir sausa; valydami vadovaukitės techninės priežiūros ir valymo skyriuje pateikta informacija.
  - Jei rodoma klaida "F03", pabandykite išjungti ir vėl įjungti kaitlentę.

- Jei rodoma klaida "F04", kreipkitės į techninės priežiūros po pardavimo tarnybą ir nurodykite kodą.
- Jei kaitlentė neveikia dėl intensyvaus naudojimo, kaitlentės vidinė temperatūra per aukšta. Palaukite keletą minučių, kol kaitlentė atvės.
- Jei šildytuvas veikia ne nuolat, o cikliškai įsijungia ir išsijungia, net jei ekrane rodoma, kad galios lygis nesikeičia, tai yra normalus kaitlentės veikimas. Įjungimo ir išjungimo ciklas leidžia reguliuoti šildytuvo galią ir tai yra visiškai normalu. Kai kuriais atvejais šiluminė apsauga gali kuriam laikui išjungti šildytuvą, kad būtų išvengta stiklo pažeidimų. Tokių atvejų pavyzdžiai: ilgai gaminama dideliu galingumu, naudojami už kaitinimo elementą mažesni indai ir indai yra ne plokščiu dugnu.
- Jei vartotojui nespaudžiant jokių mygtukų kaitlentė skleidžia trumpą garsą, pasirūpinkite ant HMI išsiliejusiais skysčiais. Nausausinkite HMI ir toliau naudokite kaitlentę. Jei kaitlentė buvo automatiškai išjungta, taip galėjo nutikti dėl ant HMI išsiliejusių skysčių. Nausausinkite HMI ir vėl įjunkite kaitlentę.

Jei atlikus šias patikras gedimas nepašalinamas, kreipkitės į artimiausią techninės priežiūros po pardavimo tarnybą.

## TECHNINĖS PRIEŽIŪROS CENTRAS

Kad galėtumėte tinkamai pasinaudoti pagalba, užregistruokite gaminį svetainėje [www.hotpoint.eu/register](http://www.hotpoint.eu/register).

### TECHNINĖS PRIEŽIŪROS CENTRAS

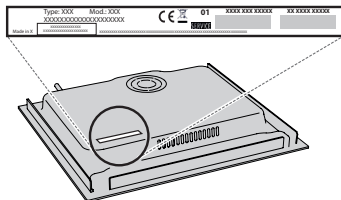
1. Vadovaudamiesi skyriaus **TRIKČIŲ ŠALINIMAS** patarimais pamėginkite problemą pašalinti patys.
2. Prietaisą išjunkite ir vėl įjunkite, kad patikrintumėte, ar triktis nepašalinama.

### JEI ATLIKUS ŠIAS PATIKRAS TRIKTIS NEPAŠALINAMA, KREIPKITĖS Į ARTIMIAUSIĄ TECHNINĖS PRIEŽIŪROS CENTRĄ

Jei reikia pagalbos, skambinkite garantiniame lankstinuke nurodytu numeriu arba vykdykite nurodymus, pateikiamus svetainėje [www.hotpoint.eu](http://www.hotpoint.eu).

Kreipdamiesi į techninės priežiūros centrą visada nurodykite:

- trumpą gedimo aprašymą;
- prietaiso tipą ir tikslų modelį;



- serijos numeris (numeris nurodomas po žodžio SN techninių duomenų plokštelėje). Serijos numeris taip pat yra nurodytas dokumentacijoje;



Mod. xxx xxx

Ind.C. xxxxxx xxxxx

SN: xxxxx xxxxx xxxxx

Prod.N. xxxxx xxxxx xxxxx

- savo tikslų adresą;
- savo telefono numerį.

Jei reikalingas remontas, kreipkitės į įgaliotą techninės priežiūros centrą (tada turėsite garantiją, jog bus naudojamos originalios atsarginės dalys ir remontas bus atliktas tinkamai).

### Politiką, standartinę dokumentaciją ir papildomą informaciją galite rasti atlikdami toliau nurodytus veiksmus:

- Naudodami QR kodą ant jūsų prietaiso;
- Apsilankę mūsų svetainėje [docs.hotpoint.eu](http://docs.hotpoint.eu);
- Arba kreipdamiesi į techninės priežiūros centrą (žr. telefono numerius garantijos lankstinuke). Kreipiantis į techninės priežiūros centrą būtina pateikti gaminio duomenų plokštelėje nurodytus kodus.



Lejupielādējiet pilno instrukciju rokasgrāmatu vietnē <http://docs.hotpoint.eu> vai piezvaniet uz tālruna numuru, kas norādīts garantijas bukletā.

Pirms ierīces lietošanas izlasiet šos drošības norādījumus. Saglabājiet šos norādījumus turpmākām uzziņām.

Šī rokasgrāmata un pati ierīce sniedz svarīgus drošības brīdinājumus, kas ir jāizlasa un vienmēr jāievēro. Ražotājs neuzņemas atbildību par bojājumiem, kas radušies nepiemērotas lietošanas vai nepareizu vadības elementu iestatīšanas dēļ.

⚠ **BRĪDINĀJUMS!** Neizmantojiet ierīci, ja plīts virsma ir saplaisājusi – pastāv strāvas trieciena risks.

⚠ **BRĪDINĀJUMS!** Aizdeģšanās risks: neuzglabājiet piederumus uz gatavošanas virsmas.

⚠ **UZMANĪBU!** Gatavošanas process ir jāuzrauga. Neilgs gatavošanas process ir nepārtraukti jāuzrauga.

⚠ **BRĪDINĀJUMS!** Gatavošana uz plīts virsmas bez uzraudzības, izmantojot taukvielas vai eļļu, var būt bīstama – aizdegšanās risks. NEKAD nemēģiniet dzēst ugunsgrēku ar ūdeni: tā vietā izslēdziet ierīci un apsedziet liesmu, piemēram, ar vāku vai uguns slāpēšanas materiālu.

⚠ Neizmantojiet plīti kā darbvirsmu vai atbalstu. Neļaujiet ierīcei saskarties ar audumu vai citiem viegli uzliesmojošiem materiāliem, kamēr visas detaļas nav pilnīgi atdzisušas – pastāv aizdegšanās risks.

⚠ Ļoti maziem bērniem (0-3 gadi) jāatrodas drošā attālumā no ierīces. Maziem bērniem (3-8 gadi) jāatrodas drošā attālumā no ierīces, ja vien tie netiek nepārtraukti uzraudzīti. Bērni no 8 gadu vecuma un personas ar fiziskiem, jušanas vai garīgiem traucējumiem vai bez pieredzes un zināšanām var lietot šo ierīci, ja tās tiek uzraudzītas vai instruētas par ierīces drošu lietošanu un izprot ar to saistītos riskus. Bērni nedrīkst spēlēt ar ierīci. Ierīces tīrīšanu un apkopi nedrīkst veikt bērni bez pieaugušo uzraudzības.

⚠ **BRĪDINĀJUMS!** Lietošanas laikā ierīce un tās atklātās daļas uzkarst. Nepieskarieties sildelementiem. Bērniem līdz 8 gadu vecumam ir jāatrodas drošā attālumā no ierīces, ja vien tie netiek nepārtraukti uzraudzīti.

### ATĻAUTĀ LIETOŠANA

⚠ **UZMANĪBU!** Ierīci nav paredzēts darbināt ar ārēju slēdža ierīci, piemēram, taimeru vai atsevišķu tālvadības sistēmu.

⚠ Šo ierīci ir paredzēts izmantot sadzīvē un tamlīdzīgi, piemēram: personāla virtuves zonās veikalos, birojos un citās darba vidēs; zemnieku saimniecībās; klientu istabās viesnīcās, moteļos un citās līdzīga tipa apmešanās vietās.

⚠ Neizmantojiet to citiem nolūkiem (piemēram, telpu apsildei).

⚠ Šī ierīce nav paredzēta profesionālai lietošanai. Neizmantojiet ierīci ārpus telpām.

### MONTĀŽA

⚠ Ierīces pārvietošana un uzstādīšana jāveic vismaz diviem cilvēkiem – pastāv savainojumu risks. Izmantojiet aizsargcimdus visos izsaiņošanas un uzstādīšanas darbos – pastāv risks sagriezties.

⚠ Montāžu, tajā skaitā ūdens sistēmas (ja tāda ir) un elektrosavienojumu uzstādīšanu, un remontu drīkst veikt tikai kvalificēts tehniķis. Nelabojiet un nemainiet ierīces detaļas, ja vien tas nav tieši norādīts lietotāja rokasgrāmatā. Neļaujiet bērniem atrasties ierīces montāžas vietas tuvumā. Pēc ierīces izsaiņošanas pārliedzieties, vai pārvadāšanas laikā tā nav bojāta. Problēmu gadījumā sazinieties ar izplatītāju vai tuvāko pēcpārdošanas apkopes centru. Pēc ierīces montāžas novietojiet iepakojuma materiālus (plastmasas un polistirola daļas u.c.) bērniem nepieejamā vietā – pastāv nosmakšanas risks. Pirms ierīces uzstādīšanas tai jābūt atvienotai no elektrotīkla – pastāv elektriskā trieciena risks. Uzstādīšanas laikā sekojiet, lai ierīce nesabojātu barošanas kabeli – pastāv aizdegšanās un strāvas trieciena risks. Ieslēdziet ierīci tikai tad, kad montāža ir pabeigta.

⚠ Uzmanīgi veiciet skapja zāģēšanas darbus pirms ierīces uzstādīšanas vietā un rūpīgi noslaukiet visas koka skaidas un putekļus.

⚠ Ja ierīci neuzstāda virs krāsns, atdalošo paneli (nav iekļauts) jāuzstāda nodaļījumā zem ierīces.

### ELEKTRISKIE BRĪDINĀJUMI

⚠ Jānodrošina iespēja atvienot ierīci no strāvas padeves, to vienkārši atslēdzot, ja pieejama kontaktdakša, vai ar divpolu slēdzi, kas uzstādīts pirms kontaktligzdas pēc elektroinstalācijas noteikumiem, un ierīcei jābūt zemētai atbilstoši valsts elektrības drošības standartiem.


⚠ Neizmantojiet pagarinātājus vai vairākspraudņu kontaktligzdas vai adapterus. Pēc ierīces uzstādīšanas tās elektriskās sistēmas detaļas nedrīkst būt pieejamas. Neizmantojiet ierīci ar mitrām rokām vai basām kājām. Nelietojiet šo ierīci, ja bojāts tās strāvas kabelis vai kontaktdakša, ja tā nedarbojas pareizi vai tā ir bojāta vai tikusi nomesta.

⚠ Uzstādīšana, izmantojot elektrokabeļa spraudni, ir aizliegta, ja vien izstrādājums nav aprīkots ar Ražotāja piegādāto kabeli.


⚠ Ja padeves kabelis ir bojāts, tas jāizvieto ar identisku, nomaiņa jāveic ražotājam, tā apkalpošanas dienesta aģentam vai līdzīgas kvalifikācijas personai, lai izvairītos no bīstamības – strāvas trieciena riska.

### TĪRĪŠANA UN APKOPE

⚠ **BRĪDINĀJUMS!** Pārliedzieties, ka pirms apkopes darbību veikšanas ierīce ir izslēgta un atvienota no strāvas padeves – pastāv strāvas trieciena risks; nekad nelietojiet tvaika tīrīšanas iekārtu – pastāv strāvas trieciena risks.

 Nelietojiet abrazīvus vai kodīgus izstrādājumus, tīrīšanas līdzekļus uz hlora bāzes vai pannu tīrīšanas līdzekļus.

### **Iepakošanas materiālu utilizācija**


Iepakošanas materiāls ir 100 % pārstrādājams un tiek apzīmēts ar otrreizējās pārstrādes simbolu .

Tādēļ dažādas iepakošanas daļas jāutilizē atbildīgi un saskaņā ar vietējiem atkritumu apsaimniekošanas noteikumiem.

### **Mājsaimniecības ierīču utilizācija**

Šī ierīce ir izgatavota no pārstrādājamiem un atkārtoti izmantojamiem materiāliem. Utilizējiet to saskaņā ar vietējiem atkritumu apsaimniekošanas noteikumiem. Plašāku informāciju par lietotu mājsaimniecības ierīču apstrādi, atjaunošanu un pārstrādi varat iegūt vietējās varas iestādes, pie atkritumu savākšanas pakalpojumu sniedzējiem vai veikalā, kur ierīci iegādājāties. Šī ierīce ir marķēta saskaņā ar Eiropas Savienības Direktīvu 2012/19/ES par elektrisko un elektronisko iekārtu atkritumiem (EEIA) un saskaņā ar 2013. gada Regulu par elektrisko un elektronisko iekārtu atkritumiem (un tās grozījumiem).

Nodrošinot šīs ierīces pareizu utilizāciju, varat novērst iespējamo negatīvo vides un cilvēka veselības apdraudējumu.

 simbols uz izstrādājuma vai komplektācijā iekļautajiem dokumentiem norāda, ka šo ierīci nevar izmest sadzīves atkritumos, bet tā ir jānodod pārstrādei elektrisko un elektronisko ierīču savākšanas centrā.

### **Ieteikumi enerģijas taupīšanai**

Izmantojiet savas plīts atlikušo karstumu, izslēdzot to dažas minūtes pirms beidzat gatavot.

Katla vai pannas pamatnei pilnībā jānosēd attiecīgais laukums uz plīts virsmas; tvertne, kas ir mazāka par attiecīgo laukumu uz plīts virsmas, radīs enerģijas izšķērdēšanu.

Gatavojot nosēdriet katlus un pannas ar cieši piegulošiem vākiem un izmantojiet pēc iespējas mazāk ūdens. Gatavojot, kad noņemts vāks, tiek patērēts daudz vairāk enerģijas.

**Izmantojiet katlus un pannas tikai ar plakanām pamatnēm.**

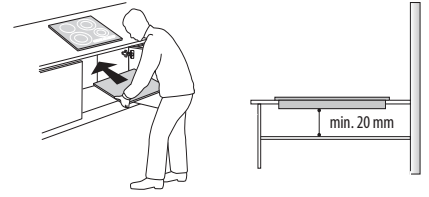
### **PAZIŅOJUMS PAR ATBILSTĪBAS DEKLARĀCIJU**

Šī ierīce atbilst Eiropas Regulas 66/2014 ekodizaina prasībām un 2019. gada noteikumiem saistībā ar ekodizaina prasībām ar enerģiju saistītiem ražojumiem un enerģijas informāciju (grozījums) (ES izvešana) saskaņā ar Eiropas standartu EN 60350-2.



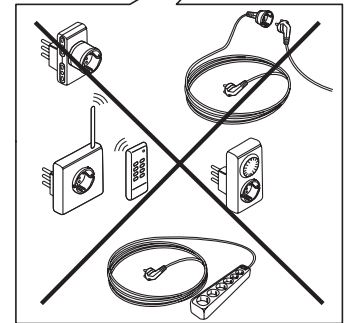
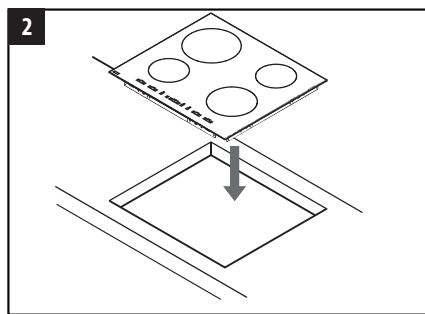
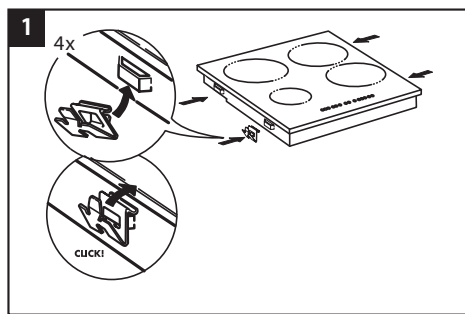
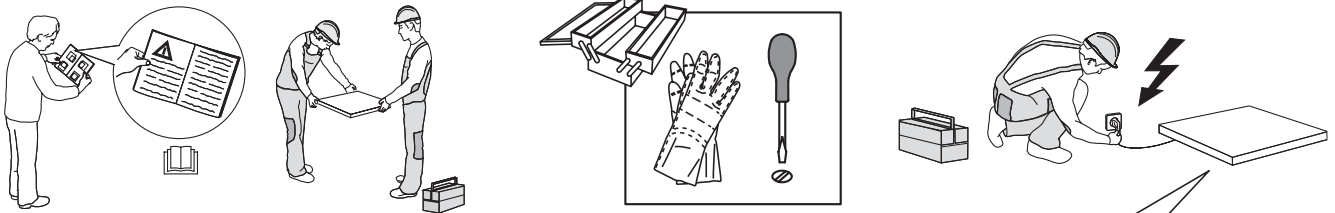
# MONTĀŽA

- Plīts virsma ir jāievieto darba virsmā vismaz 20 mm dziļumā.
- Starp pagatavošanas virsmu un cepeškrāsni nedrīkst būt nekādu priekšmetu (šķērsvirziena vadotņu, kronšteinu u. c.).
- Pārliecinieties, ka elektrokabelis ir pietiekoši garš, lai būtu iespējama droša ierīces uzstādīšana.
- Attālumam starp apakšējo stikla keramikas plīts virsmu un skapi vai atdalīto paneli jābūt vismaz 20 mm.
- Iebūvēšanas izmērus un uzstādīšanas informāciju skatiet šīs sadaļas attēlā.
- Ievērojiet minimālo attālumu starp plīts virsmu un tvaiku nosūcēju virs tās. Papildinformāciju skatiet tvaiku nosūcēja lietošanas rokasgrāmatā.
- Pēc pagatavošanas virsmas notīrīšanas lietojiet komplektā iekļauto paplāksni (ja vien tā jau nav uzstādīta).
- **Neuzstādiet pagatavošanas virsmu trauku vai veļas mazgājamās mašīnas tuvumā, lai elektroniskās shēmas nenokļūtu saskarē ar tvaiku vai mitrumu, kas tās var sabojāt.**
- Ja zem pagatavošanas virsmas ir uzstādīta cepeškrāsns, pārbaudiet, vai tā ir aprīkota ar dzesēšanas sistēmu. Ja elektronisko shēmu temperatūra pārsniedz maksimāli pieļaujamo temperatūru, pagatavošanas virsma tiks automātiski izslēgta. Šādā gadījumā uzgaidiet dažas minūtes, līdz elektronisko shēmu iekšējā temperatūra sasniedz pieņemamu līmeni, kādā var atkal ieslēgt plīts virsmu.

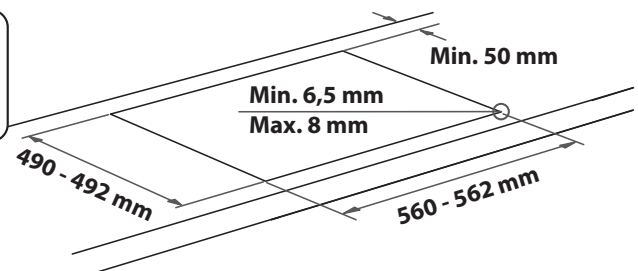
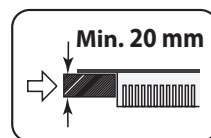
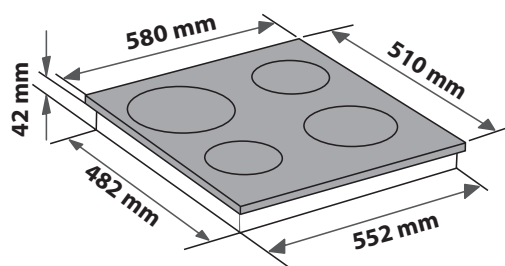
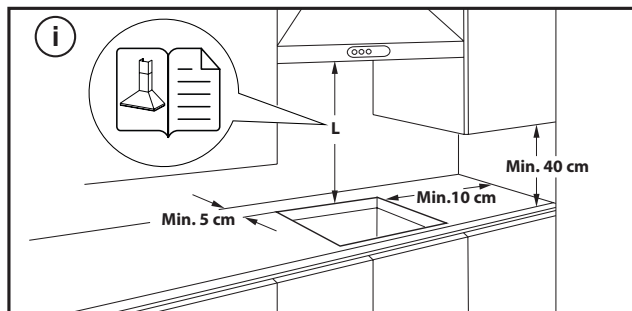


## PLĪTS VIRSMAS NOVIETOJUMS

Pēc elektrosistēmas pieslēgšanas (skatiet nodaļu "Elektriskais pieslēgums") novietojiet katru paredzēto atveru fiksācijas skavu plīts virsmas sānos, kā parādīts attēlā. Pēc tam iebīdīet plīts virsmu atvērumā un pārbaudiet, vai stikls atrodas līmeniski un paralēli darbvirsmai. Fiksācijas skavas ir piemērotas visu veidu darbvirsmas materiālam (koksnei, marmoram u. c.).



## IZMĒRI UN ATTĀLUMI, KAS JĀIEVĒRO



## PLĪTS VIRSMAS NOŅĒMŠANA:

Lai noņemtu plīts virsmu, vispirms atvienojiet to no elektrības padeves avota. Mēs noteikti iesakām atbrīvot apakšdaļu no cepeškrāsns, atvilktņēm, plauktu atdalītājiem vai citiem elementiem. Tas ļauj tehniķim brīvi piekļūt plīts virsmas apakšai, lai ar skrūvgriezi atbrīvotu četrus stiprinājumus, paceltu plīts virsmu un noņemtu to, nenodarot bojājumus darbvirsmai.

# ELEKTRISKAIS PIESLĒGUMS

Pirms ierīces pieslēgšanas elektrotīklam jāizveido elektriskais savienojums.

Elektrokabelis nav iekļauts iepakojumā - atcerieties, ka jums pašiem ir jāpasagādā savs elektrokabelis.




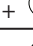
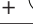
Uzstādīšanu drīkst veikt kvalificēts speciālists, kas pārzina pašreizējos drošības un uzstādīšanas normatīvus. Uzstādīšana it īpaši jāveic saskaņā ar valsts energoapgādes uzņēmuma noteikumiem.

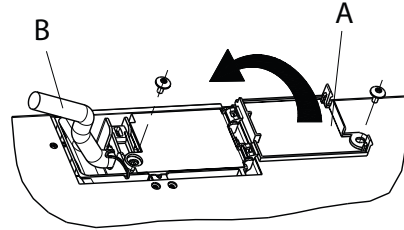
Pārbaudiet, vai datu plāksnītē, kas atrodas ierīces apakšpusē, norādītā sprieguma parametri atbilst mājas elektrotīkla sprieguma parametriem.

Saskaņā ar noteikumiem ierīce ir jāpasagādā: izmantojiet tikai atbilstošu parametru vadītājus (tostarp zemējuma vadītāju).

## PIEVIEŅOŠANA SPAIĻU BLOKAM

Elektriskajam pieslēgumam izmantojiet H05RR-F vai H05V2V2-F kabeli, kā norādīts zemāk tabulā.

BAROŠANAS SPRIEGUMS	VADĪTĀJI SKAITS x IZMĒRS
220-240V ~+ 	3 x 4 mm <sup>2</sup>
230-240V ~+ 	3 x 4 mm <sup>2</sup> (tikai Australija)
220-240V 3~+ 	4 x 1,5 mm <sup>2</sup>
380-415V 3N~+ 	5 x 1,5 mm <sup>2</sup>
380-425V 2N~+ 	4 x 1,5 mm <sup>2</sup>



Ierīce jāpievieno barošanas avotam, izmantojot visu polu atvienošanas slēdzi, kura minimālā atstarpe starp kontaktiem ir 3 mm.

**UZMANĪBU!** Barošanas kabelim jābūt pietiekami garam, lai varētu izņemt pagatavošanas virsmu no darbvirsmas, kā arī novietot kabeli tā, lai izvairītos no bojājumiem vai pārkaršanas, ko rada saskare ar pamatni.

**PIEZĪME:** Dzeltenais/zaļais zemējuma vads jāpievieno spaiļei, kas apzīmēta ar simbolu  un šim vadam jābūt garākam par citiem vadiem.

- Noņemiet apm. 70 mm barošanas kabeļa apvalku (**B**).
- Noņemiet apm. 10 mm apvalku no vadiem. Pēc tam ievietojiet barošanas kabeli kabeļa skavā un pievienojiet vadus spaiļu blokam, kā norādīts savienojuma shēmā, kas redzama blakus spaiļu blokam.
- Nostipriniet barošanas kabeli (**B**) ar kabeļa skavu.
- Uzlieciet spaiļu panelim pārsegu (**A**), pieskrūvējot to ar komplektā iekļauto skrūve.
- Pēc elektriskā pieslēguma pabeigšanas uzstādiet plīts virsmu no augšpusē un aizāķējiet to aiz balsta atspērēm, kā parādīts attēlā.



**PALDIES, KA IEGĀDĀJĀTIES WHIRLPOOL IZSTRĀDĀJUMU**  
Lai saņemtu pilnvērtīgu palīdzību, lūdzu, reģistrējiet savu produktu vietnē [www.hotpoint.eu/register](http://www.hotpoint.eu/register).

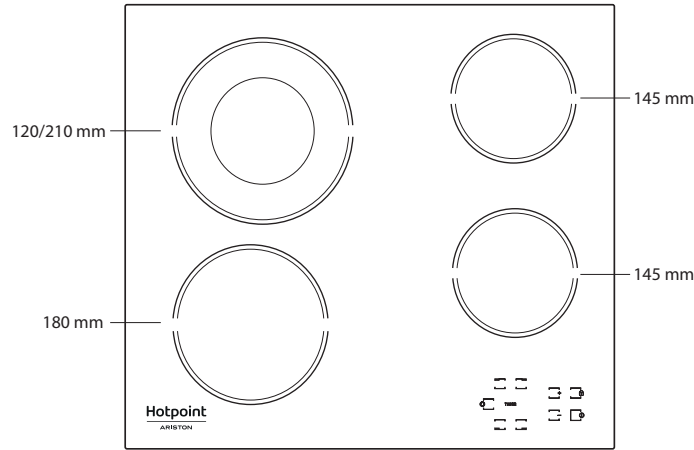


**Pirms ierīces lietošanas rūpīgi izlasiet drošības norādījumus.**

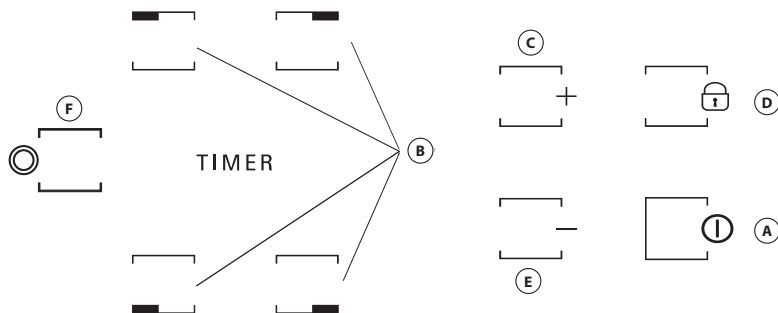
**LAI IEGŪTU VAIRĀK  
INFORMĀCIJAS, SKENĒJIET  
KVADRĀTKODU UZ IERĪCES**



## IZSTRĀDĀJUMA APRAKSTS



## VADĪBAS PANELIS



- A** Ieslēgts / Izslēgts
- B** Ediena gatavošanas zona un taimera iestatišana
- C-E** Siltuma iestatījumu palielinašana un samazinašana
- D** Pogu bloķētāju
- F** Daudzdaļu zonas ieslēgšana/izslēgšana

## PIRMĀ LIETOŠANAS REIZE

Pirmās uzstādīšanas laikā vadības panelis veic 1 sekundi ilgu funkcionālu pārbaudi, pēc kuras tas automātiski pārslēdzas uz "Pogu bloķētāju" funkciju. Lai deaktivētu šo funkciju, piespiediet un turiet pogu "D"; atskanēs skaņas

signāls, un izslēgsies atbilstošā led.

**PIEZĪME:** Ja notiek atiestate, atkārtojiet iepriekš aprakstīto procesu.

## IKDIENAS IZMANTOŠANA



### PLĪTS VIRSMAS IESLĒGŠANA/IZSLĒGŠANA

Lai ieslēgtu plīts virsmu, turiet pogu "A" piespiestu apm. 2 sekundes. 4 ēdiena gatavošanas zonu displeji rāda "0". Ja 20 sekunžu laikā neviena gatavošanas zona netiek aktivizēta, plīts virsma drošības deļ automātiski izslēdzas.

### GATAVOŠANAS ZONU IESLĒGŠANA UN REGULĒŠANA

Piespiediet pogu "B" atbilstoši gatavošanas zonai, kuru plānojat izmantot. Izvēlieties siltuma iestatījumu ar pogām "E" vai "C". Pārējie izvēles gatavošanas iestatījumi ir no 1 līdz 9. Lai atceltu visus iestatījumus, vienlaikus piespiediet "+/-" pogas.

**SVARĪGI!** vadība tiek deaktivēta 10 sekundes pēc siltuma iestatījuma izvēles. Lai mainītu siltuma iestatījumu, vispirms vēlreiz piespiediet izvēles pogu "B", tad turpiniet mainīt iestatījumus, izmantojot pogas "E" vai "C".



### VAIRĀKAS ZONAS

Pēc vēlamās zonas izvēles un līmeņa iestatišanas (kā aprakstīts iepriekšējā nodaļā) piespiediet "F": aindikators virs pogas iedegsies, aktivizējās papildu zona.

Vairākas zonas var izmantot tikai, ja:

- Gatavošanas zonai ir vairākas zonas;
- Izvēlētais jaudas līmenis ir lielāks nekā 0.

Lai deaktivizētu vairākas zonas, piespiediet vēlamās zonas "B" pogu, tad vēlreiz piespiediet "F".

### TIMER

Lai iestatītu taimera funkciju, izvēlieties vēlamu gatavošanas zonu un jaudas iestatījumu, tad piespiediet vēlreiz gatavošanas zonu, un taimera vadītās gatavošanas zonas displejā parādīsies spaidošs punkts. 2 displejos mirgo rādījumus "00". Piespiediet pogas "E" vai "C", lai iestatītu laiku no 1 līdz 99.

**SVARĪGI!** pēc 10 sekundēm taimera displeji parādīs citu gatavošanas zonu jaudas iestatījumu.

Lai redzētu atlikušo gatavošanas laiku, divreiz piespiediet taimera vadīto gatavošanas zonas taustiņu.

### A FUNKCIJA

Šī funkcija ļauj automātiski samazināt gatavošanas zonas jaudas līmeni no augstākās vērtības (9. līmenis) līdz līmenim, kuru lietotājs ir atlasījis ēst gatavošanas vēlākai fāzei.



Lai aktivizētu šo funkciju, vispirms nospiediet "+" pogu, kad ir sasniegts 9. līmenis. Displejā tiek attēlots "A" un pārmaiņus tam "9" blāvi mirgo. Tagad ar "-" pogu izvēlieties vēlamo jaudas līmeni (mazāku nekā 9). Displejā blāvi pārmaiņus mirgo "A" un atlasītais līmenis. Funkcija ir aktivizēta tad, kad displejā pārmaiņus spoži mirgo "A" un atlasītais līmenis. Kad displejā vairāk nav redzams "A" ("A" funkcija automātiski izslēdzas pēc dažām minūtēm, atkarībā no iestatītā jaudas līmeņa), gatavošanas process turpinās ar mazāku jaudu, un displejā ir redzams tikai atlasītais jaudas līmenis. **ATCERIETIES!** šī funkcija nav iespējama ar atlasītu 9. līmeni.

## POGU BLOKĒTĀJU

Pogu bloķētāju funkcija tiek ieslēgta, turot uz leju pogu "D", kamēr iedegs punkts virs funkcijas pogas. Tiek bloķēts viss vadības panelis, izņemot izslēgšanas funkciju. Funkcija paliek ieslēgta arī pēc tam, kad plīts virsma ir izslēgta un atkal ieslēgta, un var tikt deaktivizēta, vēlreiz piespiežot "D" pogu, kamēr punkts virs funkcijas pogas nodzīst.

Plīts virsmai esot izslēgtai ir aktivizētu pogu bloķētāju, lai ieslēgtu plīts virsmu, vispirms deaktivizējiet pogu bloķēšanas funkciju, vēlreiz piespiežot "D" pogu, kamēr punkts virs funkcijas pogas nodzīst.

Ūdens, no katliem izšakstīties šķidrums un priekšmeti uz pogas simbola var nejauši aktivizēt vai deaktivizēt pogu bloķētāju.

## H PALIEKOŠĀ SILTUMA INDIKATORS

Kad gatavošanas zona ir izslēgta, paliekošā siltuma indikators "H" paliek ieslēgts vai mirgo pārmaiņus ar "0", kamēr plīts virsmas temperatūra atkal ir drošā līmenī.

**SVARĪGI!** Plīts virsmas drošības īpašības ietver automātisku izslēgšanas funkciju. Ilgstoša vienādu siltuma iestatījumu lietošana automātiski izslēdz gatavošanas zonu (piemēram, apmēram pēc 1 stundas ar maksimālo siltuma iestatījumu gatavošanas zona izslēdzas).

**SVARĪGI!** Lai izvairītos no neatgriezeniskiem plīts virsmas bojājumiem:

- nelietojiet katlus, kuru apakšdaļas nav pilnīgi plakanas;
- neizmantojiet metāla katlus ar emaljētu apakšdaļu;
- nenovietojiet karstus katlus/pannas uz vadības panela.

Plīts virsma ir aprīkota arī ar "automātiskās izslēgšanās" funkciju, kas izslēdz gatavošanas virsmu, ja noteiktā laika posmā nav veiktas jaudas līmeņa izmaiņas, atkarībā no pašiem jaudas iestatījumiem. Tabulā ir norādīts ilgums katram attiecīgajam jaudas līmenim.

JAUDAS LĪMENIS	AUTOMĀTISKĀS IZSLĒGŠANĀS LAIKS
0	30 sekundes
1	10 stundas
2	5 stundas
3	5 stundas
4	4 stundas
5	3 stundas
6	2 stundas
7	2 stundas
8	2 stundas
9	1 stunda

## GATAVOŠANAS TABULA

POWER LĪMENIS		GATAVOŠANAS VEIDS	IZMANTOTAIS LĪMENIS (norāda uz gatavošanas pieredzi un ieradumiem)
<b>Maksimālā jauda</b>	9	Vārīšana	Ideāli piemērots straujai ēdiena temperatūras paaugstināšanai līdz ūdens vai šķidruma vārīšanās temperatūrai.
	9 – 8	Grilēšana	Ideāli piemērots apcepšanai, gatavošanas uzsākšanai, saldētu produktu cepšanai, ātrai vārīšanai.
<b>Augsta jauda</b>	8 – 7	Graudzēšana – ilgstoša vārīšana – grilēšana	Ideāli piemērots graudzēšanai, ilgstošas vārīšanās uzturēšanai, vārīšanai un grilēšanai (īss ilgums, 5–10 minūtes).
	7 – 6	Cepšana – gatavošana – grilēšana	Ideāli piemērots zemas temperatūras vārīšanās uzturēšanai, gatavošanai un grilēšanai (vidēji ilgi, 10–20 minūtes), priekšsildīšanai un cepšanai.
<b>Vidēja jauda</b>	6 – 5	Saudzīga cepšana	Ideāli piemērots olu cepšanai, omletēm.
	5 – 4	Gatavošana – lēnai vārīšanai – sautēšana	Ideāli piemērots ilgstošai gatavošanai (rīsi, mērces, cepeši, zivis) ar šķidrumiem (piemēram, ūdeni, vīnu, buljonu, pienu), makaronu krēmiem.
	4 – 3	Biezinašana — makronu krēmiem	
<b>Zema jauda</b>	2 – 1	Silta ēdiena uzturēšana – risoto krēmam	Ideāli piemērots tikko pagatavotu ēdienu (piemēram, mērču, zupu) karstuma uzturēšanai, risoto krēma pagatavošanai un servējamo ēdienu karstuma uzturēšanai.
<b>Minimālā jauda</b>	1	Atkausēšana	Ideāli piemērots nelielu produktu atkausēšanai un maigai šokolādes vai sviesta kausēšanai.
<b>Bez jaudas</b>	0	–	Virsmas gaidīšanas režīmā vai izslēgta (iespējama atlikušā siltuma izdalīšanās, ko norāda burts "H").

## TĪRĪŠANA UN APKOPE

### ⚠ Atvienojiet ierīci no elektrotīkla.

- Neizmantojiet tvaika tīrīšanas ierīces.
- Neizmantojiet abrazīvus un skrāpējošus sūkļus.
- Pēc katras lietošanas reizes notīriet plīts virsmu (kad tā ir atdzisusi), lai noņemtu visas nogulsnes un ēdiena traipus.
- Cukurs un pārtikas produkti ar augstu cukura saturu var sabojāt plīts virsmu, tāpēc tie jānotīra nekavējoties.

- Sāls, cukurs un smiltis var saskrāpēt stikla virsmu.
- Izmantojiet mīkstu drāniņu, virtuves dvieļi vai speciālu plīts virsmu tīrītāju (ievērojiet ražotāja norādījumus).
- Izlījuši šķidrums gatavošanas zonās var izraisīt katlu pārvietošanos vai vibrāciju.
- Pēc plīts virsmas tīrīšanas, rūpīgi nosusiniet.

## PROBLĒMU RISINĀŠANA

Ja plīts virsma nedarbojas pareizi, pirms sazināties ar klientu apkalpošanas dienestu, skatiet problēmu novēršanas pamācību, lai noteiktu problēmu.

- Izlasiet un izpildiet norādījumus, kas sniegti sadaļā "Ikdienas izmantošana".
- Pārbaudiet, vai nav radies elektroapgādes pārtraukums.
- Pēc plīts virsmas tīrīšanas rūpīgi noslaukiet to.
- Ja gatavošanas virsma ir tikusi atlasīta un displejā parādās "F" vai "ER", kam seko cipars, sazinieties ar mūsu Pēcpārdošanas apkalpošanas servisu un informējiet par šo stāvokli.
- Ja kļūdas kods ir "F03", "ER03" vai "E02", mēģiniet atrisināt problēmu, sekojot šiem norādījumiem:
  - Ja parādās kļūda "E02", pārliecinieties, ka neesat nospieduši pogas ilgāk nekā 5 sekundes, ka uz HMI virsmas neatrodas priekšmeti un ka virsma ir tīra un sausa; veicot tīrīšanu, lūdzam ievērot ieteikumus sadaļā par apkopi un tīrīšanu.
  - Ja parādās kļūda "F03", mēģiniet izslēgt un atkal ieslēgt gatavošanas virsmu.
  - Ja parādās kļūda "F04", sazinieties ar Pēcpārdošanas apkalpošanas servisu un informējiet par redzamo kļūdas kodu.

- Ja plīts virsma nedarbojas pēc intensīvas lietošanas, plīts virsmas iekšējā temperatūra ir pārāk augsta. Pagaidiet dažas minūtes, kamēr plīts virsma atdziest.
- Ja deglis nav pastāvīgi ieslēgts, bet pārmaiņus ieslēdzas un izslēdzas arī tad, ja jaudas līmenis displejā nemainās, tā ir plīts virsmas normālas darbības daļa. Ieslēgšanās/izslēgšanās cikls ļauj nodrošināt degļa jaudas regulāciju, un tā ir pilnīgi normāla parādība. Dažos gadījumos termiskās aizsardzības sistēma var izslēgt degli uz neilgu laiku, lai novērstu virsmas stikla bojājumus. Šeit ir piemēri tādiem gadījumiem: ilglaicīga gatavošana ar augstu jaudas līmeni, izmantojot katlus, kuri ir mazāki par sildes elementa virsmu un kuru apakšdaļa nav plakana.
- Ja plīts virsmas izdala retas skaņas tad, ja lietotājs nav nospiedis kādu pogu, lūdzam notīrīt šķidrumus uz HMI. Lūdzam, nosusiniet HMI un turpiniet izmantot plīts virsmu. Ja plīts virsma ir izslēgta automātiski, to var būt izraisījis šķidrums uz HMI. Lūdzam, nosusiniet HMI un atkal ieslēdziet plīts virsmu.

Ja pēc iepriekš minēto pārbaudu veikšanas kļūmi neizdodas novērst, sazinieties ar tuvāko klientu apkalpošanas dienestu.

## PĒCPĀRDOŠANAS SERVISS

Lai saņemtu pilnvērtīgu palīdzību, lūdzam, reģistrējiet savu ierīci vietnē [www.hotpoint.eu/register](http://www.hotpoint.eu/register).

### PIRMS SAZINĀTIES AR PĒCPĀRDOŠANAS APKALPOŠANAS DIENESTU:

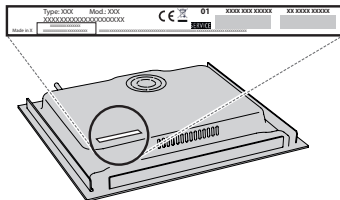
1. Mēģiniet atrisināt problēmu saviem spēkiem, izmantojot šeit atrodamo **PROBLĒMU RISINĀŠANA**.
2. Izslēdziet ierīci un ieslēdziet to vēlreiz, lai pārliecinātos, vai problēma ir novērsta.

### JA PĒC IEPRIEKŠMINĒTĀJĀM PĀRBAUDĒM PROBLĒMA NAV NOVĒRSTA, SAZINIETIES AR TUVĀKO PĒCPĀRDOŠANAS APKALPOŠANAS DIENESTU.

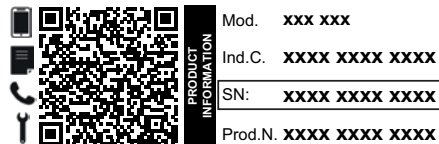
Lai saņemtu palīdzību, zvaniet uz garantijas grāmatiņā norādīto numuru vai sekojiet norādījumiem tīmekļa vietnē [www.hotpoint.eu](http://www.hotpoint.eu).

Sazinoties ar klientu pēcpārdošanas apkalpošanas dienestu, vienmēr norādiet:

- īsu kļūmes aprakstu;
- precīzu ierīces veidu un modeli;



- sērijas numurs (skaitlis pēc vārda SN uz tehnisko datu plāksnes zem ierīces). Sērijas numurs ir norādīts arī dokumentācijā;



- savu pilno adresi;
- savu tālruna numuru.

Ja nepieciešams remonts, lūdzam, sazinieties ar pilnvarotu Pēcpārdošanas apkopes centru (lai būtu garantija, ka tiek izmantotas tikai oriģinālās rezerves daļas un remonts tiktu veikts pareizi).

### Noteikumi, standarta dokumentācija un papildu informācija izstrādājumu ir pieejama:

- Izmantojot QR kodu jūsu iekārtā;
- Apmeklējot mūsu tīmekļa vietni [docs.hotpoint.eu](http://docs.hotpoint.eu);
- Vai arī **sazinieties ar mūsu pēcpārdošanas apkopes dienestu** (tālruna numurs norādīts garantijas bukletā). Sazinoties ar mūsu pēcpārdošanas centru, lūdzam, nosauciet kodus, kas redzami izstrādājuma datu plāksnītē.



Prenesite celotna navodila za uporabo na <http://docs.hotpoint.eu> ali pokličite telefonsko številko, navedeno v garancijski knjižici.

Pred uporabo aparata preberite ta varnostna navodila. Navodila hranite na dosegu roke za prihodnjo uporabo. V navodilih za uporabo in na aparatu so pomembna varnostna navodila, ki jih mora uporabnik prebrati in vedno upoštevati. Proizvajalec ne prevzema odgovornosti v primeru neupoštevanja varnostnih navodil, nepravilne uporabe aparata ali napačne nastavitve upravljalnih elementov.

**⚠ OPOZORILO:** Če na površini kuhalne plošče opazite razpoko, aparata ne uporabljajte, saj obstaja nevarnost električnega udara.

**⚠ OPOZORILO:** Nevarnost požara: ne hranite predmetov na kuhalni površini.

**⚠ POZOR:** Postopek kuhanja je treba nadzorovati. Postopek kratkotrajnega kuhanja je treba nenehno nadzorovati.

**⚠ OPOZORILO:** Nenadzorovano kuhanje na kuhalni plošči z mastjo ali oljem je lahko nevarno, saj obstaja možnost požara. NIKOLI ne skušajte pogasiti ognja z vodo: aparat izključite in nato pokrijte plamen npr. s pokrovom ali požarno odejo.

**⚠** Kuhalne plošče ne uporabljajte kot delovni pult ali podlago. Pazite, da aparat ne pride v stik s krpami ali drugimi vnetljivimi predmeti, dokler se vse komponente povsem ne ohladijo, saj lahko pride do požara.

**⚠** Zelo majhni otroci (0–3 let) naj se ne približujejo aparatu. Majhni otroci (3–8 let) ne smejo biti v bližini aparata brez stalnega nadzora. Otroci, stari 8 let ali več, in osebe z omejenimi telesnimi, čutilnimi ali razumskimi sposobnostmi oz. osebe, ki nimajo izkušenj in znanja, lahko aparat uporabljajo le, če so pod nadzorom oz. če so bili poučeni o varni uporabi aparata in se zavedajo morebitnih nevarnosti. Otroci se z aparatom ne smejo igrati. Otroci brez nadzora ne smejo čistiti ali vzdrževati aparata.

**⚠ OPOZORILO:** Aparat in dostopni deli se med uporabo segrejejo. Pazite, da se ne dotaknete grelnikov. Otroci, mlajši od 8 let, se ne smejo zadrževati v bližini aparata, če niso pod stalnim nadzorom.

#### DOVOLJENA UPORABA

**⚠ POZOR:** aparat ni namenjen temu, da bi ga upravljali z zunanji upravljalnimi napravami, kot sta časovnik ali ločen daljinski upravljalnik.

**⚠** Aparat je namenjen uporabi v gospodinjstvu in temu podobnim načinom uporabe, na primer: v kuhinjah za osebje v trgovinah, pisarnah in drugih delovnih okoljih, na kmetijah, za goste v hotelih, motelih in prebivalce drugih stanovanjskih okolij.

**⚠** Druga uporaba ni dovoljena (npr. za segrevanje prostorov).

**⚠** Aparat ni namenjen profesionalni uporabi. Aparata ne uporabljajte na prostem.

#### NAMESTITEV

**⚠** Za premikanje in namestitev aparata sta potrebni najmanj dve osebi, saj obstaja nevarnost poškodb. Za odstranjevanje embalaže in namestitev aparata uporabite zaščitne rokavice, saj obstaja nevarnost ureznin.

**⚠** Namestitev, vključno s priklopom vode (če je prisotna) in elektrike, mora izvesti usposobljen tehnik. Ne popravljajte ali zamenjajte delov aparata, razen če to ni izrecno navedeno v navodilih za uporabo. Otroci se mestu namestitve ne smejo približevati. Ko aparat odstranite iz embalaže, se prepričajte, da se med prevozom ni poškodoval. V primeru težav se obrnite na prodajalca ali na najbližjo servisno službo. Ko je aparat nameščen, embalažo (plastika, deli iz stiropora itd.) shranite izven dosega otrok, saj obstaja nevarnost zadušitve. Preden aparat namestite, ga zaradi nevarnosti električnega udara odklopite z električnega omrežja. Med namestitvijo pazite, da aparat ne poškoduje napajalnega kabla, saj to lahko privede do požara ali povzroči električni udar. Aparat vključite šele, ko je namestitev končana.

**⚠** Vse potrebne izreze v element izvedite pred vgradnjo aparata in odstranite vse lesene trske in žagovino.

**⚠** Če aparat ni vgrajen nad pečico, je treba v predelek pod aparatom vgraditi ločevalno ploščo (ni priložena).

#### OPOZORILO GLEDE ELEKTRIČNEGA TOKA

**⚠** Prekinitev napajanja aparata mora biti mogoča z izklopom vtiča, če je ta na dosegu roke, ali z dosegljivim večpolnim stikalom, ki je v skladu s predpisi za ožičenje nameščen v bližini vtičnice. Aparat mora biti prav tako ozemljen v skladu z nacionalnimi standardi glede električne varnosti.

**⚠** Prepovedana je uporaba podaljškov, razdelilnih vtičnic in adapterjev. Električne komponente po namestitvi aparata uporabnikom ne smejo biti dostopne. Aparata ne uporabljajte, ko ste mokri ali bosi. Aparata ne uporabljajte, če ima poškodovan napajalni kabel ali vtič, če ne deluje pravilno oziroma če je bil poškodovan ali je padel.

**⚠** Namestitev z vtičem napajalnega kabla ni dovoljena, razen če je izdelek že opremljen z vtičem proizvajalca.


**⚠** Da se izognemo nevarnosti, lahko poškodovan napajalni kabel enakim kablom nadomestile proizvajalec, njegov serviser ali podobno usposobljena oseba, saj obstaja možnost električnega udara.

#### ČIŠČENJE IN VZDRŽEVANJE

**⚠ OPOZORILO:** Aparat morate pred vzdrževalnimi deli izklopiti in izključiti z električnega napajanja; ne uporabljajte parnih čistilcev, saj obstaja nevarnost električnega udara.

**⚠** Ne uporabljajte abrazivnih ali korozivnih izdelkov, čistil na osnovi klora ali žičnatih gob.

#### ODSTRANJEVANJE EMBALAŽNEGA MATERIALA

Embalažo je mogoče povsem reciklirati in je označena s simbolom za recikliranje .

Dele embalaže zato zavržite odgovorno in v skladu s predpisi pristojnih služb, ki urejajo odlaganje odpadkov.


---

## ODSTRANJEVANJE GOSPODINJSKIH APARATOV

Aparat je izdelan iz materialov, ki jih je mogoče reciklirati ali ponovno uporabiti. Aparat zavržite v skladu z veljavnimi lokalnimi predpisi. Dodatne informacije o odstranjevanju in recikliranju električnih gospodinjskih aparatov lahko dobite na pristojnem občinskem uradu, pri komunalni službi ali v trgovini, kjer ste aparat kupili. Aparat je označen v skladu z evropsko Direktivo 2012/19/EU o odpadni električni in elektronski opremi (OEEO) in uredbami o odpadni električni in elektronski opremi (WEEE) iz leta 2013 (v veljavni različici).

Aparat odložite na predvidenih zbirnih mestih, saj lahko s tem preprečite škodljive posledice za okolje in zdravje ljudi.



Simbol  na aparatu ali priloženi dokumentaciji pomeni, da je aparat prepovedano odlagati med komunalne odpadke. Oddati ga je treba na zbirnem centru za recikliranje električne in elektronske opreme.

## NASVETI ZA VARČEVANJE Z ENERGIJO

Čim bolj izkoristite preostanek toplote na kuhališču, tako da aparat izključite nekaj minut, preden je jed kuhana.

Dno posode naj povsem prekriva kuhališče: če je dno posode manjše od površine kuhališča, bo prišlo do izgube energije.

Posodo med kuhanjem prekritje s tesno prilegajočimi se pokrovi in porabite kar najmanj vode. Če posode med kuhanjem ne prekritje s pokrovi, bo poraba energije občutno večja.

**Uporabljajte samo posodo z ravnim dnom.**

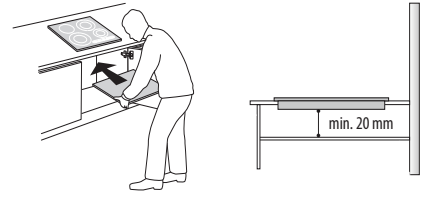
## IZJAVA O SKLADNOSTI

Ta naprava je skladna z zahtevami za okoljsko primerno zasnovano uredbo Komisije (EU) št. 66/2014 in uredbami iz leta 2019 za okoljsko primerno zasnovane izdelke, povezane z energijo, in energetske informacije (sprememba) (izstop iz EU) v skladu z evropskim standardom EN 60350-2.



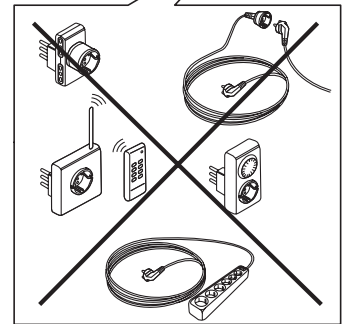
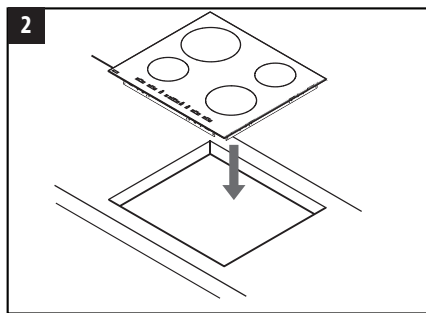
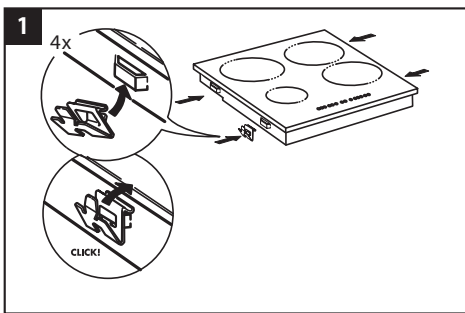
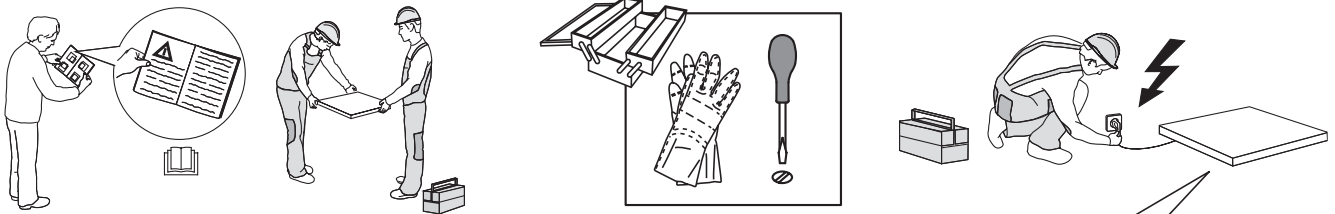
# NAMESTITEV

- Kuhalna površina mora biti vgrajena v kuhinjski pult vsaj 20 mm globoko.
- Med kuhhalno ploščo in pečico ne sme biti nobenih predmetov (prečnih drogov, nosilcev itd.).
- Prepričajte se, da je priključni kabel dovolj dolg, da je namestitev mogoče izvesti brez težav.
- Med spodnjo stranjo steklokeramične kuhhalne plošče in omarico ali ločilno ploščo mora biti vsaj 20 mm razdalje.
- Za vgradne dimenzije in namestitev glejte sliko v tem odstavku.
- Pri vgradnji upoštevajte najmanjšo razdaljo med kuhhalno ploščo in napo nad njo. Za več informacij glejte uporabniški priročnik nape.
- Na kuhhalno ploščo namestite priloženo tesnilo (razen če je že nameščeno), potem ko ste očistili površino plošče.
- **Kuhhalne plošče ne nameščajte ob pomivalni ali pralni stroj, da elektronska vezja ne pridejo v stik s paro ali vlago, ki bi jih lahko poškodovala.**
- Če pod kuhhalno ploščo namestite pečico, se prepričajte, da je opremljena s hladilnim sistemom. Če temperatura elektronskih vezij preseže največjo dovoljeno temperaturo, se kuhhalna plošča samodejno izklopi; V tem primeru počakajte nekaj minut, dokler notranja temperatura elektronskega tiskanega vezja ne doseže dopustnega nivoja, na katerem bo mogoče ponovno vklopiti kuhhalno ploščo.

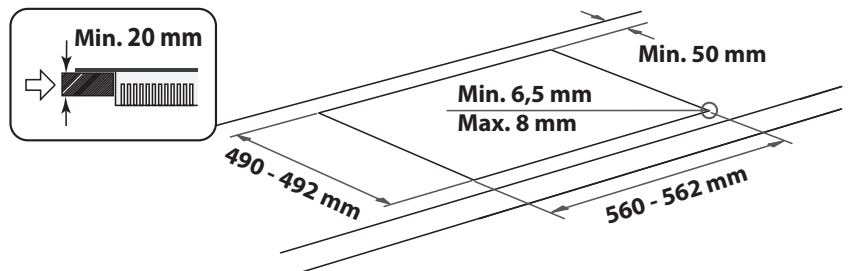
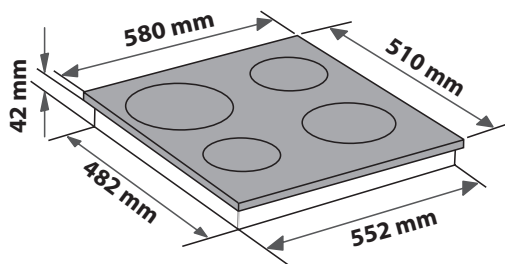
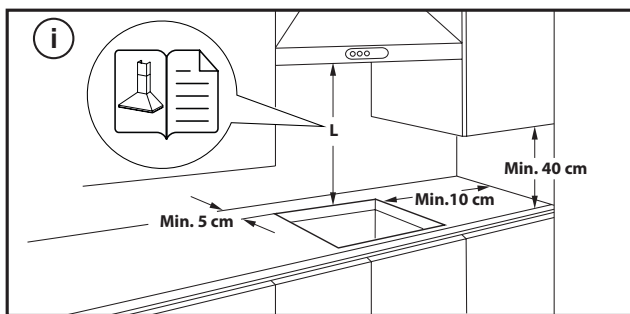


## NAMESTITEV KUHALNE PLOŠČE

Po električnem priklopu (glejte poglavje "Priklučitev na električno omrežje") namestite pritrdilne sponke na ustrezne reže ob straneh kuhhalne plošče, kot je prikazano na sliki. Kuhhalno ploščo nato potisnite v izrezano odprtino in se prepričajte, da je steklokeramična površina poravnana in vzporedna s pultom. Pritrdilne sponke so primerne za pulte iz vseh vrst materialov (les, marmor itd.).



## DIMENZIJE IN NAJMANJŠE RAZDALJE



## ODSTRANITEV KUHALNE PLOŠČE:

preden odstranite kuhhalno ploščo, jo odklopite z električnega napajanja. Zelo priporočamo, da po potrebi odstranite pečico, predal, pregrado ipd. pod kuhhalno ploščo. Tako bo imel servisni tehnik prost dostop do spodnje strani kuhhalne plošče in bo lahko s izvijačem sprostil vse štiri sponke, dvignil kuhhalno ploščo in jo odstranil, ne da bi poškodoval kuhinjski pult.

# PRIKLJUČITEV NA ELEKTRIČNO OMREŽJE

Električni priklop mora biti izveden pred priklopom naprave na napajalno omrežje.

Priključni kabel ni vključen v obseg dobave – ne pozabite priskrbeti svojega priključnega kabla.




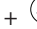
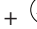
Namestitev mora izvesti kvalificirano osebje, ki pozna trenutne predpise glede varnosti in namestitve. Električna inštalacija mora biti izvedena v skladu s predpisi, ki jih narekuje krajevni dobavitelj električne energije.

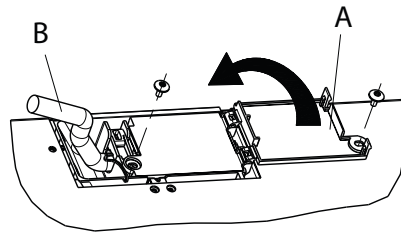
Pazite, da je napetost, podana na tipski ploščici na dnu naprave, ista kot v vašem domu.

S predpisi je določena obvezna ozemljitev naprave: uporabljajte le vodnike (vključno z ozemljitvenim vodnikom) primerne velikosti.

## PRIKLOP NA VRSTNO SPONKO

Za električni priklop uporabite kabel H05RR-F, kot je navedeno v spodnji preglednici.

ELEKTRIČNA NAPETOST	VODNIKI KOLIČINA x VELIKOST
220-240V ~+ 	3 x 4 mm <sup>2</sup>
230-240V ~+ 	3 x 4 mm <sup>2</sup> (csak Ausztrália)
220-240V 3~+ 	4 x 1,5 mm <sup>2</sup>
380-415V 3N~+ 	5 x 1,5 mm <sup>2</sup>
380-425V 2N~+ 	4 x 1,5 mm <sup>2</sup>



**Napravo je treba priključiti na električno omrežje prek večpolnega ločilnega stikala z najmanj 3-milimetrskim razmikom med kontakti.**

**POMEMBNO:** Napajalni kabel mora biti dovolj dolg, da je kuhavno ploščo mogoče sneti iz kuhinjskega pulta, in mora biti nameščen tako, da se izognete okvaram ali pregrevanju, ki jih lahko povzroči stik s podlago.

**OPOMBA:** rumeno-zelen ozemljitveni vodnik mora biti povezan na sponko s simbolom  in mora biti daljši od drugih vodnikov.

- Z napajalnega kabla odstranite približno 70 mm plašča (**B**).
- Z vodnikov odstranite približno 10 mm plašča. Nato vstavite napajalni kabel v kabelsko sponko in priključite vodnike na vrstno sponko, kot je prikazano na diagramu povezav, ki je tik ob vrstni sponki.
- Napajalni kabel (**B**) pritrdite s kabelsko sponko.
- Priključno ploščo zaprite s pokrovom (**A**) in pokrov pritrdite s priloženim vijakom.
- Po električnem priklopu vstavite kuhavno ploščo v pult, kot je prikazano na sliki, da se pritrdilne sponke zaskočijo.



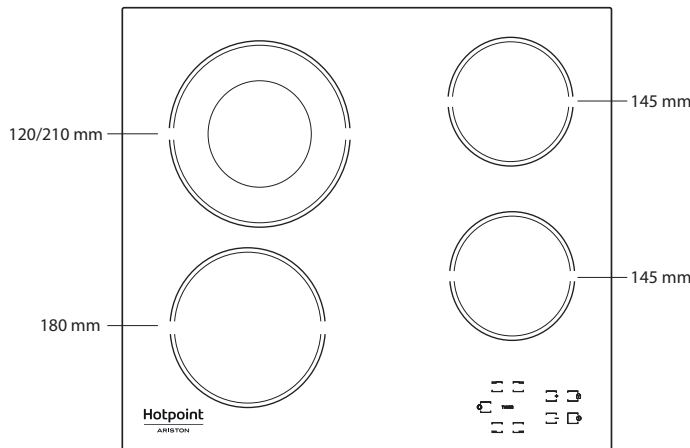
**HVALA, KER STE SE ODLOČILI ZA IZDELEK WHIRLPOOL**  
Če želite celovitejšo pomoč, izdelek registrirajte na spletni strani [www.hotpoint.eu/register](http://www.hotpoint.eu/register).

**ZA PODROBNEJŠE INFORMACIJE  
POSKENIRAJTE KODO QR NA  
NAPRAVI**

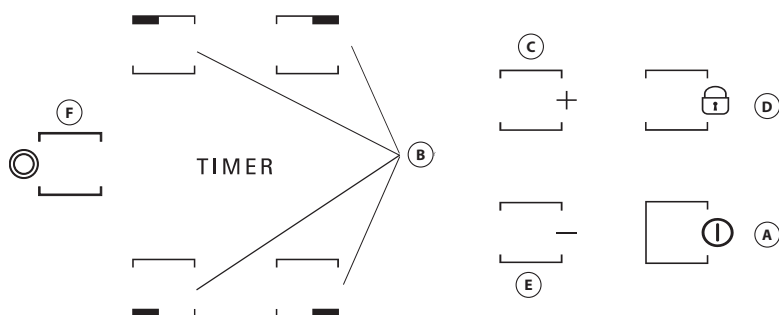


**Pred uporabo aparata pozorno preberite varnostna navodila.**

## OPIS IZDELKA



## UPRAVLJALNA PLOŠČA



- A** Vklp/izklop
- B** Izbira kuhalnega polja in nastavev časovnika
- C-E** Povečevanje in zmanjševanje nastavitve toplote
- D** Zaklep gumbov
- F** Vklp/izklop uporabe kombinacije kuhalnih polj

## PRVA UPORABA

Po prvi namestitvi nadzorna plošča izvede preskus delovanja za približno 1 sekundo, potem pa samodejno preklopi na funkcijo "Key lock" (Zaklep gumbov). Funkcijo lahko izklopite tako, da pritisnete in zadržite tipko "D"; zasliši se zvočni

signal, ustrezna LED-lučka pa ugasne.

**OPOMBA:** Če pride do ponastavitve, ponovite zgoraj opisan postopek.

## VSAKODNEVNA UPORABA

### **VKLOP/IZKLOP KUHALNIKA**

Kuhalno ploščo vklopite s pritiskom na gumb "A", ki ga držite približno 2 sekundi. Na prikazovalnikih vseh štirih kuhalnih polj se prikaže "0". Če v 20 sekundah ni aktivirano nobeno kuhalno polje, se kuhalna plošča iz varnostnih razlogov samodejno izklopi.

### **VKLAPLANJE IN PRILAGAJANJE KUHALNIH OBMOČIJ**

Pritisnite enega od gumbov "B", in sicer tistega, ki ustreza kuhalnemu polju, ki ga želite uporabiti. Z gumboma "E" ali "C" izberite zeleno nastavev temperature. Ostale nastavitve kuhanja lahko izbirate od 1 do 9. S sočasnim pritiskom na gumba "+/-" prekličete vse nastavitve.

**POMEMBNO:** Komandni gumb se deaktivira 10 sekund po izbiri zelene temperature.

Če želite spremeniti nastavev temperature najprej pritisnite gumb za izbiranje "B", nato pa nadaljujte s spreminjanjem nastavev z uporabo gumba "E" ali "C".

### **KOMBINACIJA KUHALNIH POLJ**

Po izboru zelenega kuhalnega polja in nastavitvi nivoja (kot je opisano v predhodnem poglavju) pritisnite "F": vklopi se indikator nad gumbom in vklopi se dodatno polje.

Kombinacija kuhalnih polj se lahko uporablja samo če:

- je na kuhalni plošči ta funkcija na voljo;
- je izbrana stopnja moči večja od 0.

Kombinacijo kuhalnih polj izključite s pritiskom na gumb "B" zelenega polja, potem pa ponovno pritisnete "F".

### **TIMER**

Če želite vključiti funkcijo časovnika, izberite zeleno kuhalno polje in nastavev moči, nato znova pritisnite tipko kuhalnega polja in na prikazovalniku kuhalnega polja s časovnikom se bo pojavila svetlobna pika. Na 2 prikazovalnikih utripa prikaz "00". Pritisnite gumb "C" ali "E" in nastavite čas od 1 do 99.

**POMEMBNO:** po 10 sekundah se na prikazovalnikih časovnikov pokaže nastavitve moči drugih kuhalnih polj.

Če želite pogledati preostali čas kuhanja, dvakrat pritisnite tipko kuhalnega polja z nastavljenim časovnikom.

## FUNKCIJA A

S to funkcijo lahko uporabnik samodejno zniža stopnjo moči za kuhalno polje z najvišje (stopnja 9) na stopnjo, ki jo je izbral za naslednjo fazo kuhanja.

Za vklop funkcije pritisnite gumb "+", ko je dosežena stopnja 9.

Na zaslonu se prikaže znak "A", znak "9" pa medlo utripa.

Na tej točki z gumbom "-" izberite želeno stopnjo moči (nižjo od stopnje 9).

Znak "A" in izbrana stopnja izmenično medlo utripata na zaslonu.

Funkcija je vklopljena, ko znak "A" in izbrana stopnja izmenično svetlo utripata na zaslonu.

Ko znak "A" izgine zaslona (funkcija "A" se samodejno izklopi po nekaj minutah, odvisno od izbrane stopnje moči), se kuhanje nadaljuje z nižjo močjo, na zaslonu pa je prikazana le izbrana stopnja moči.

**OPOMBA:** ta funkcija ni na voljo za stopnjo 9.



## KEY LOCK (ZAKLEP GUMBOV)

Funkcija Key lock (Zaklep gumbov) se vklopi z daljšim pritiskom na gumb "D", dokler nad funkcijsko tipko ne zasveti pika. Zaklenjene so vse funkcije upravljalne plošče razen funkcije izklopa. Funkcija ostane aktivirana tudi po izklopu in ponovnem vklopu kuhalne plošče, izključite pa jo lahko s ponovnim pritiskom na gumb "D", dokler pika nad funkcijo ne ugasne.

Ko je kuhalna plošča izklopljena z aktiviranim zaklepom gumbov, morate najprej upravljalno ploščo odkleniti s pritiskom na gumb "D", dokler pika nad funkcijo ne ugasne, da lahko vklopite kuhalno ploščo.

Voda, tekočina iz posod ali predmeti na upravljalnih elementih lahko nenamerno aktivirajo ali deaktivirajo zaklep gumbov.



## INDIKATOR PREOSTALE TOPLOTE

Ko se kuhalno polje izklopi, indikator preostale toplote "H" še naprej sveti ali utripa izmenično z "0", dokler se temperatura kuhalne plošče ne zniža na sprejemljivo varno raven.

## KUHALNA TABELA

RAVEN MOČI		VRSTA KUHANJA	STOPNJA UPORABE (glede na izkušnje in navade pri kuhanju)
Največja moč	9	Vrenje	Kot nalašč za hitro segrevanje hrane do vrenja, če uporabljate vodo ali tekočine za kuhanje, ki se hitro grejejo.
	9 – 8	Pečenje	Kot nalašč za porjavitvev, začetek kuhanja, cvrtje zamrznjenih izdelkov, hitro vretje.
Visoka moč	8 – 7	Porjavitev – vzdrževanje vrenja – peka na žaru	Kot nalašč za porjavitvev, vzdrževanje vrenja, kuhanje in pečenje (kratkotrajno, 5–10 minut).
	7 – 6	Cvrtje – kuhanje – pečenje na žaru	Kot nalašč za vzdrževanje počasnega vrenja, kuhanje in pečenje (srednje dolgo, 10–20 minut), predgretje in cvrtje.
Srednja moč	6 – 5	Nežno cvrtje	Kot nalašč za cvrtje jajc in pripravo omet.
	5 – 4	Kuhanje – počasno vretje – dušenje	Kot nalašč za kuhanje, ki zahteva več časa (riž, omake, pečenke, ribe) s tekočinami (npr. voda, vino, juhe, mleko), kombiniranje testenin z omako.
	4 – 3	Zgoščevanje – kombiniranje testenin z omako	
Nizka moč	2 – 1	Ohranjanje hrane vroče – priprava rižot	Kot nalašč za ohranjanje ravnokar skuhane hrane (npr. omake, juhe, mineštre) vroče, za rižote in pogrevanje servirnega pribora.
Najmanjša moč	1	Odmrzovanje	Kot nalašč za odmrzovanje manjših kosov hrane in nežno topljenje čokolade ali masla.
Brez moči	0	–	Kuhalna plošča v stanju pripravljenosti ali izklopljenem načinu (morda bo prisotna preostala toplota, ki jo označuje "H").

**POMEMBNO:** Med varnostnimi lastnostmi kuhalne plošče je tudi funkcija samodejnega izklopa. Daljša uporaba iste nastavitve toplote sproži samodejni izklop kuhalnega polja (na primer po približno 1 uri pri najvišji nastavitvi toplote, se kuhalno polje izklopi).

**POMEMBNO:** Da preprečite trajno okvaro kuhalne plošče:

- ne uporabljajte loncev, ki nimajo popolnoma ravnega dna;
- ne uporabljajte kovinskih loncev z emajliranim dnom;
- ne odlagajte toplih loncev/ponev na nadzorno ploščo.

Kuhalna plošča je opremljena tudi s funkcijo za samodejni izklop, s katero se kuhalno polje izklopi, če po preteku določenega intervala ne spremenite stopnje moči, odvisno od nastavitve moči. V preglednici so navedeni časovni intervali za posamezno stopnjo moči.

JAKOSTNA STOPNJA	ČAS SAMODEJNEGA IZKLOPA
0	30 sekund
1	10 ur
2	5 ur
3	5 ur
4	4 ure
5	3 ure
6	2 uri
7	2 uri
8	2 uri
9	1 ura



## ČIŠČENJE IN VZDRŽEVANJE

### ⚠ Aparat izklopite iz električnega napajanja.

- Ne uporabljajte parnih čistilnikov.
- Ne uporabljajte abrazivnih ali žičnatih gob, ker lahko poškodujejo steklo.
- Po vsaki uporabi očistite kuhalno ploščo (ko je ohlajena), da odstranite ostanke hrane in madeže.
- Sladkor ali hrana z visoko vsebnostjo sladkorja lahko poškodujeta kuhalno ploščo, zato ju morate takoj odstraniti.

- Sol, sladkor in pesek lahko spraskajo stekleno površino.
- Čistite z mehko krpo, papirnatiimi brisačami ali čistilnikom za kuhalne plošče (glejte navodila proizvajalca).
- Razlite tekočine na kuhalnih poljih lahko povzročijo premikanje ali tresenje posod.
- Kuhalno ploščo po čiščenju temeljito posušite.

## ODPRAVLJANJE TEŽAV

Če kuhalna plošča ne deluje pravilno, preverite navodila za odpravljanje napak, preden kličete servis.

- Preberite in upoštevajte navodila iz razdelka "Vsakodnevna uporaba".
- Preverite, da dovod elektrike ni bil izklopljen.
- Temeljito osušite kuhalno ploščo, potem ko jo očistite.
- Če ste izbrali kuhalno polje in se na zaslonu prikaže znak "F" ali "ER", ki mu sledi številka, o tem obvestite servisno službo.
- Če se prikaže koda napake "F03", "ER03" ali "E02", napako poskusite odpraviti po naslednjem postopku:
  - Če se prikaže koda napake "E02", poskrbite, da vsaj 5 sekund ne pritisnete nobenega gumba, na območju uporabniškega vmesnika ni predmetov, območje pa je čisto in suho – pri čiščenju upoštevajte razdelek o čiščenju in vzdrževanju.
  - Če se prikaže koda napake "F03", kuhalno površino izklopite in znova vklopite.
  - Če se prikaže koda napake "F04", se obrnite na servisno službo in jim sporočite kodo, ki se prikaže.

- Če kuhalna plošča ne deluje po intenzivni uporabi, je notranja temperatura kuhalne plošče še vedno previsoka. Počakajte nekaj minut, da se kuhalna plošča ohladi.
- Če grelnik ne deluje neprekinjeno, temveč se vedno znova vklaplja in izklaplja, čeprav se stopnja moči na zaslonu ne spremeni, je to del normalnega delovanja kuhalne plošče. Z vklapljanjem in izklapljanjem se uravnava moč grelnika; pojav je povsem normalen. V nekaterih primerih lahko toplotna zaščita za nekaj časa izklopi grelnik, da se preprečijo poškodbe na steklu. Takšni primeri so: daljše kuhanje z visoko močjo, uporaba posod, ki so manjše od grelnega elementa, uporaba posod z neravnim dnom.
- Če kuhalna plošča piska, čeprav uporabnik ni pritisnil nobenega gumba, odstranite morebitno razlito tekočino na uporabniškem vmesniku. Obrišite uporabniški vmesnik in nadaljujte z uporabo kuhalne plošče. Če se je kuhalna plošča samodejno izklopila, lahko do tega pride zaradi tekočine na uporabniškem vmesniku. Obrišite uporabniški vmesnik in znova vklopite kuhalno ploščo.

Če tudi po zgoraj navedenih ukrepih ne odpravite napake, pokličite najbližjo servisno službo.

## SERVISNA SLUŽBA

Izdelek registrirajte na spletni strani [www.hotpoint.eu/register](http://www.hotpoint.eu/register), da vam bomo lahko nudili vsestranski servis in podpor.

### PREDEN POKLIČETE SERVISNO SLUŽBO:

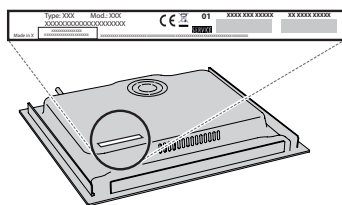
1. Preverite, ali lahko težavo odpravite sami glede na predloge v poglavju **NAVODILA ZA ODPRAVLJANJE TEŽAV**.
2. Z izklopom in ponovnim vklopom aparata preverite, ali je napaka še vedno prisotna.

### ČE VAM TUDI PO ZGORAJ NAVEDENIH UKREPIH NE USPE ODPRAVITI NAPAKE, POKLIČITE NAJBLIŽJO SERVISNO SLUŽBO.

Za pomoč pokličite številko, ki je navedena v garancijski knjižici, ali upoštevajte navodila na spletni strani [www.hotpoint.eu](http://www.hotpoint.eu).

Ko stopite v stik z našo servisno službo, vedno navedite:

- kratek opis napake;
- tip in točen model aparata;



- Serijska številka (številka po besedi SN na napisni ploščici na spodnji strani naprave). Serijska številka je navedena tudi v dokumentaciji.



- točen naslov;
- svojo telefonsko številko.

Če je potrebno popravilo, se obrnite na pooblaščen servisno službo (za zagotovljeno uporabo originalnih nadomestnih delov in pravilno izvedbo popravila).

### Do pravil uporabe, standardne dokumentacije in dodatnih informacij o izdelkih lahko dostopate na naslednje načine:

- Skenirajte QR-kodo na svojem aparatu;
- Obiščite našo spletno stran [docs.hotpoint.eu](http://docs.hotpoint.eu);
- **Obrnete se lahko tudi na našo servisno službo** (telefonske številke so navedene v servisni knjižici). Ko stopite v stik z našo servisno službo, navedite kode, ki so zapisane na identifikacijski ploščici izdelka.



## SIGURNOSNE UPUTE

## OBAVEZNO PROČITAJTE I PRIDRŽAVAJTE SE

Cijeli priručnik s uputama preuzmite na <http://docs.hotpoint.eu> ili nazovite telefonski broj koji se nalazi u jamstvenoj knjižici.

Prije upotrebe uređaja pročitajte ove sigurnosne upute. Sačuvajte ih za buduću referencu.

Ovaj priručnik i sam uređaj sadrže važna sigurnosna upozorenja kojih se morate stalno pridržavati. Proizvođač otklanja svaku odgovornost u slučaju nepoštivanja sigurnosnih uputa, za neprikladno korištenje ili za pogrešno podešavanje komandi.

⚠ **UPOZORENJE:** Ako je površina ploče za kuhanje napukla, ne upotrebljavajte uređaj - opasnost od strujnog udara.

⚠ **UPOZORENJE:** Opasnost od požara: nemojte stavljati stvari na površine za kuhanje.

⚠ **PAŽNJA:** Postupak kuhanja mora se nadzirati. Kratki postupak kuhanja mora se neprestano nadzirati.

⚠ **UPOZORENJE:** Pripremanje hrane na masnoći ili ulju bez nadziranja ugradne ploče može biti opasno - opasnost od požara. Vatru NIKADA ne pokušavajte ugasiti vodom: umjesto toga isključite uređaj i pokrijte plamen, na primjer, poklopcem ili dekom za gašenje požara.

⚠ Ne upotrebljavajte ploču za kuhanje kao radnu površinu ili oslonac. Odjeću ili druge zapaljive materijale ne približavajte uređaju dok se sastavni dijelovi potpuno ne ohlade - opasnost od požara.

⚠ Vrlo maloj djeci (0 - 3 godina) ne dopuštajte pristup uređaju. Maloj djeci (3 - 8 godina) ne dopuštajte pristup uređaju ako nisu pod nadzorom. Djeca starija od 8 godina i osobe smanjenih fizičkih, osjetilnih i mentalnih sposobnosti ili osobe bez dovoljnog iskustva i znanja mogu koristiti uređaj samo ako su pod nadzorom ili su dobili upute o sigurnom rukovanju uređajem te ako razumiju potencijalne opasnosti. Djeca se ne smiju igrati s uređajem. Djeca ne smiju čistiti niti održavati uređaj bez nadzora.

⚠ **UPOZORENJE:** Uređaj i njegovi dostupni dijelovi se tijekom uporabe zagriju. Pazite da ne biste dodirnuli grijaće elemente. Djeca mlađa od 8 godina trebaju se držati podalje od uređaja, osim ako su pod nadzorom.

### DOZVOLJENI RASPON UPOTREBE

⚠ **PAŽNJA:** uređaj nije namijenjen radu pomoću vanjskog uređaja za uključivanje kao što je mjerač vremena ili odvojeni sustav daljinskog upravljanja.

⚠ Ovaj uređaj namijenjen je upotrebi u kućanstvima i na sličnim mjestima, kao što su: kuhinje za osoblje u trgovinama, uredi i druge objekti u kojima se radi; seoske kuće; za goste u hotelima, motelima ili sličnim smještajnim jedinicama.

⚠ Ne dopušta se nikakva druga uporaba (npr. grijanje prostorija).

⚠ Ovaj uređaj nije namijenjen za profesionalnu upotrebu. Nemojte koristiti ovaj uređaj na otvorenom prostoru.

### INSTALIRANJE

⚠ Pri postavljanju, uređajem moraju rukovati dvije ili više osoba: opasnost od ozljeda. Za raspakiranje i

postavljanje uređaja upotrijebite zaštitne rukavice: opasnost od porezotina.

⚠ Postavljanje, uključujući dovod vode (ako je uređaj opremljen) i električne priključke te popravke smije obavljati samo kvalificirani tehničar. Nemojte popravljati ni zamjenjivati bilo koji dio kućanskog uređaja osim ako se to izričito ne navodi u korisničkom priručniku. Djeci ne dozvoljavajte približavanje mjestu postavljanja. Nakon uklanjanja ambalaže s uređaja provjerite da nije došlo do oštećenja za vrijeme transporta. U slučaju problema, kontaktirajte distributera ili najbliži servis. Nakon postavljanja otpadni materijal pakiranja (plastiku, dijelove od stiropora itd.) odložite van dohvata djece: opasnost od gušenja. Uređaj se prije postavljanja mora isključiti iz napajanja: opasnost od električnog udara. Pazite da za vrijeme postavljanja uređaj ne ošteti električni kabel: opasnost od požara ili električnog udara. Uređaj uključite tek kada završi postupak postavljanja.

⚠ Obavite sve radove izrezivanja i pažljivo uklonite sve strugotine i piljevinu prije postavljanja uređaja u element.

⚠ Ako se uređaj ne postavlja iznad pećnice ploča za razdvajanje (nije uključena u pakiranje) mora se postaviti u odjeljak ispod uređaja.

### ELEKTRIČNA UPOZORENJA

⚠ Mora postojati mogućnost isključivanja uređaja iz struje uklanjanjem priključka ako je on dostupan ili to učiniti pomoću dostupne sklopke s više polova instalirane uz utičnicu u skladu s pravilima ožičenja i uređaj mora biti uzemljen u skladu s nacionalnim sigurnosnim standardima za električnu struju.

⚠ Nemojte koristiti produžne kabele, višestruke utičnice ili adaptere. Nakon postavljanja električni dijelovi ne smiju biti dostupni korisniku. Uređaj ne upotrebljavajte kada ste mokri ili bosi. Uređaj ne upotrebljavate ako su njegov dovodni kabel ili utikač oštećeni, ako ne radi ispravno ili ako je oštećen ili je pao na tlo.

⚠ Instalacija s utikačem kabela za napajanje nije dopuštena osim ako taj proizvod već nije opremljen s onim kojeg isporučuje proizvođač.


⚠ Ako je kabel za napajanje oštećen, istim ga mora zamijeniti proizvođač, ovlaštenu servisera ili osobe slične kvalifikacije kako biste izbjegli opasne situacije: opasnost od strujnog udara.

### ČIŠĆENJE I ODRŽAVANJE

⚠ **UPOZORENJE:** Provjerite je li uređaj isključen ili odspojen iz napajanja prije obavljanja bilo kojeg zahvata održavanja; nikada ne upotrebljavajte uređaje za čišćenje parom: opasnost od električnog udara.

⚠ Ne koristite abrazivne ili korozivne proizvode, sredstva za čišćenje na bazi klora ili strugače za tave.

### ODLAGANJE AMBALAŽNIH MATERIJALA

Ambalažni materijal može se u potpunosti reciklirati i označen je simbolom recikliranja .


Različiti dijelovi ambalaže moraju se stoga odgovorno odlagati i u skladu s propisima lokalnih vlasti o odlaganju otpada.

---

## ODLAGANJE KUĆANSKIH UREĐAJA

Ovaj uređaj proizveden je od materijala koji se može reciklirati ili ponovno iskoristiti. Zbrinite ga sukladno lokalnim pravilnicima o zbrinjavanju otpada. Radi detaljnijih informacija o postupanju, uporabi i recikliranju električnih kućanskih aparata, obratite se nadležnom mjesnom uredu, službi za skupljanje komunalnog otpada ili trgovini u kojoj ste uređaj kupili. Ovaj je uređaj označen u skladu s europskom Direktivom 2012/19/EU o otpadnoj električnoj i elektroničkoj opremi (OEEO) i uredbama o otpadnoj električnoj i elektroničkoj opremi iz 2013. (sukladno izmjenama i dopunama).

Osigurate li ispravno odlaganje tog proizvoda, pomoći ćete u sprječavanju mogućih negativnih posljedica za okoliš i zdravlje ljudi.

Simbol  na proizvodu ili na popratnoj dokumentaciji označava da se s njim ne smije postupati kao s kućnim otpadom, nego ga treba odnijeti na odgovarajuće sakupljalište za recikliranje električnog i elektroničkog otpada.

### SAVJETI ZA UŠTEDU ENERGIJE

Iskoristite na najbolji način preostalu toplinu svoje vruće ploče tako da je isključite nekoliko minuta prije kraja kuhanja.

Dno posude treba u potpunosti prekrivati vruću ploču; posuda koja je manja od vruće ploče dovodi do rasipanja energije.

Lonce i tave pokrijte prijanjućim poklopcima tijekom kuhanja i upotrebljavajte što je moguće manje vode. Kuhanje bez poklopca značajno povećava potrošnju energije.

**Upotrebljavajte samo lonce i tave s ravnim dnom.**

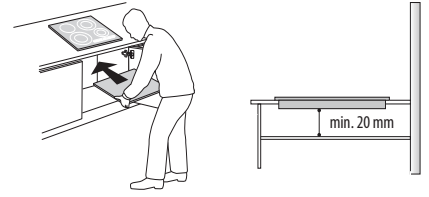
### IZJAVA O SUKLADNOSTI

Ovaj uređaj ispunjava zahtjeve o eko-dizajnu europske Uredbe 66/2014 i propise o eko-dizajnu za proizvode povezane s energijom i informacije o energiji (Dopuna) (izlaz iz EU) iz 2019., u skladu s europskom normom EN 60350-2.



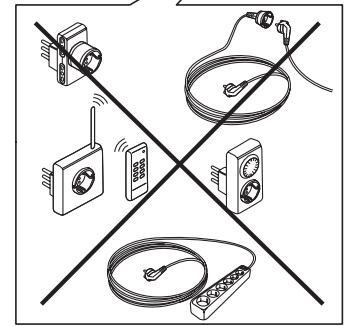
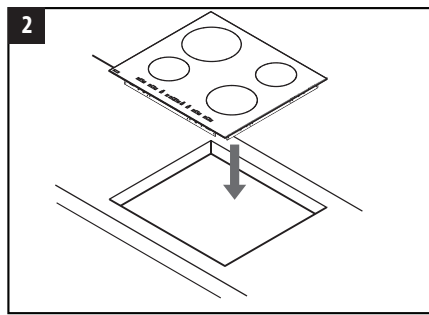
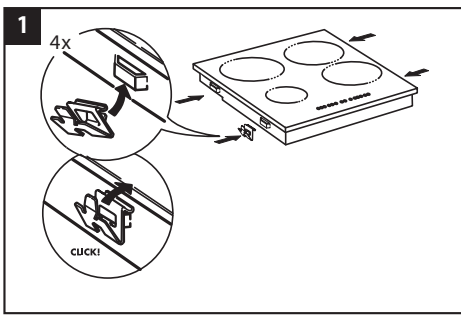
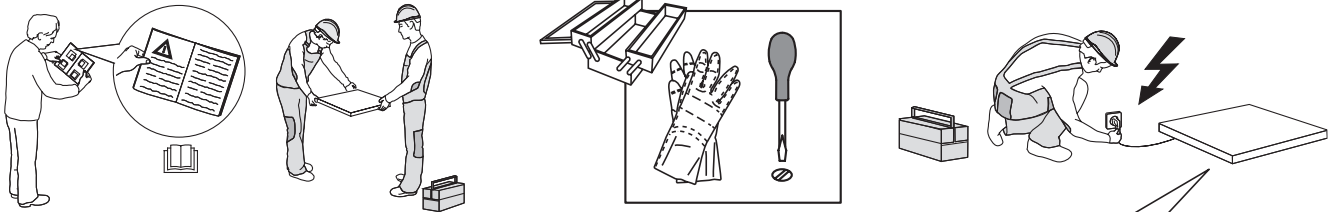
# INSTALIRANJE

- Ploča za kuhanje mora se postaviti u radnu površinu na dubinu od najmanje 20 mm.
- Ništa se ne smije nalaziti između ploče za kuhanje i pećnice (poprečne vodilice, nosači itd.).
- Provjerite je li kabel napajanja dovoljno dug da omogućava praktično postavljanje.
- Udaljenost između donje površine staklo keramičke ploče za kuhanje i ormarića ili ploče za razdvajanje mora biti najmanje 20 mm.
- Dimenzije i način ugradnje pogledajte na slici u ovom odjeljku.
- Mora se održati minimalni razmak između ploče za kuhanje i nape iznad nje. Više informacija potražite u korisničkom priručniku nape.
- Isporučenu brtvu postavite na ploču za kuhanje (ako već nije postavljena) nakon što ste očistili površinu.
- Površinu za kuhanje nemojte postavljati u blizini perilice posuđa ili perilice rublja kako elektronički krugovi ne bi došli u kontakt s parom ili vlagom koja bi ih mogla oštetiti.
- Ako se pećnica postavlja ispod ploče za kuhanje, provjerite je li opremljena rashladnim sustavom. Ako temperatura elektroničkih sustava prijeđe maksimalnu dozvoljenu temperaturu, ploča za kuhanja automatski će se isključiti; u tom slučaju pričekajte nekoliko minuta da unutarnja temperatura elektroničkih sustava dosegne prihvatljivu razinu kada će se štednjak ponovno moći uključiti.

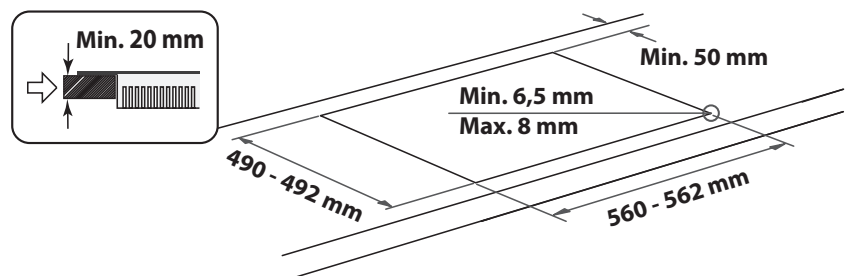
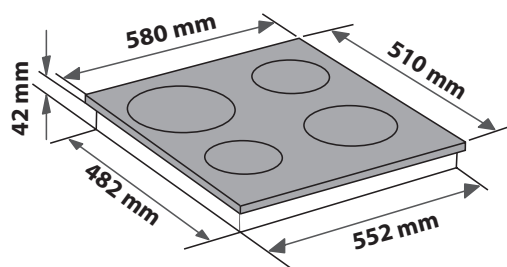
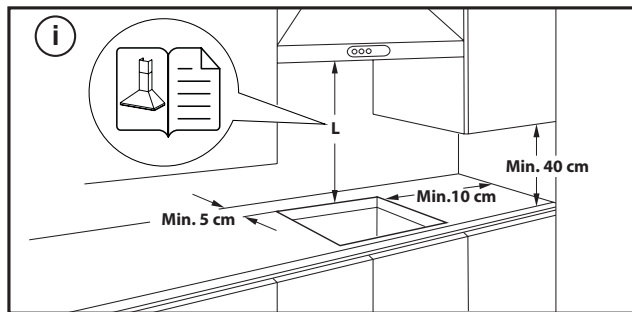


## POSTAVLJANJE PLOČE ZA KUHANJE

Nakon priključivanja na električnu mrežu (pogledajte poglavlje "Priključivanje na električnu mrežu") svaku pričvrstnu kopču postavite u tome namijenjene utore na bočnim stranicama ploče za kuhanje kao što je prikazano na slici. Ploču za kuhanje zatim gurnite u rez i provjerite je li staklena površina ravna i paralelna s radnom površinom. Pričvrste su kopče napravljene za sve vrste materijala radne površine (drvo, mramor itd.).



## DIMENZIJE I UDALJENOSTI KOJE TREBA ODRŽAVATI



## SKIDANJE PLOČE ZA KUHANJE:

Ploču za kuhanje uklonite tako da ju odspojite od električnog napajanja. Posebice se preporučuje da oslobodite donji dio pećnice, ladice, separatora ili nekog drugog dijela. Tako se tehničarima omogućuje pristup donjem dijelu ploče za kuhanje da bi odvijačem otkvačili četiri kopče, podigli ploču za kuhanje i skinuli ju, a da ni na koji način ne oštete radnu površinu.

# PRIKLJUČIVANJE NA ELEKTRIČNU MREŽU

Električni priključak mora se napraviti prije priključivanja uređaja na električno napajanje.

Kabel za napajanje nije uključen u pakiranje – obavezno pripremite vlastit kabel.




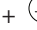
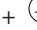
Instalaciju mora provesti kvalificiran osoblje koje poznaje važeće sigurnosne i instalacijske propise. Posebice, instalacija se mora obaviti u skladu s pravilima lokalne tvrtke za opskrbu električnom energijom.

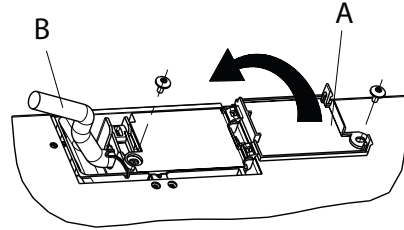
Napon naveden na pločici s podacima na dnu aparata mora biti jednak naponu mreže u stambenom objektu.

Propisi zahtijevaju da uređaj bude uzemljen: upotrebljavajte samo vodiče odgovarajuće veličine (uključujući uzemljeni vodič).

## PRIKLJUČIVANJE NA BLOK S PRIKLJUČCIMA

Priključivanje na električnu mrežu izvedite kabelom H05RR-F ili H05V2V2-F kao što je navedeno u tablici u nastavku.

MREŽNI NAPON	VODIČI BROJ I VELIČINA
220-240V ~+ 	3 x 4 mm <sup>2</sup>
230-240V ~+ 	3 x 4 mm <sup>2</sup> (samo Australija)
220-240V 3~+ 	4 x 1,5 mm <sup>2</sup>
380-415V 3N~+ 	5 x 1,5 mm <sup>2</sup>
380-425V 2N~+ 	4 x 1,5 mm <sup>2</sup>



Uređaj priključite na električno napajanje pomoću višepolnog prekidača za iskopčavanje s razmakom između kontakata najmanje 3 mm.

**PAŽNJA:** kabel za napajanje mora biti dovoljno dug kako bi omogućio da se ploča za kuhanje može ukloniti s radne površine i mora se postaviti tako da se izbjegne oštećenje ili pregrijavanje uzrokovano kontaktom s postoljem.

**NAPOMENA:** žuto/zelena žica uzemljenja mora se priključiti na priključak sa simbolom  i mora biti dulja od ostalih žica.

- Uklonite pribl. 70 mm ovojnice kabela s kabela za napajanje (B).
- Ogulite pribl. 10 mm ovojnice sa žica. Zatim umetnite kabel za električno napajanje u kablisku stezaljku i spojite žice na priključnicu kao što je navedeno na shematskom prikazu priključivanja u blizini priključnice.
- Kabel za napajanje (B) učvrstite pomoću kablenske stezaljke.
- Ploču priključka zatvorite pokrovom (A) kojeg trebate učvrstiti s isporučanim vijkom.
- Nakon električnog priključivanja, postavite štednjak s vrha i zakvačite ga na potporne opruge u skladu s crtežom.

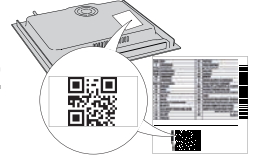


**ZAHVALJUJEMO VAM NA KUPOVINI PROIZVODA WHIRLPOOL**  
Kako bismo vam mogli pružiti potpuniju pomoć, registrirajte svoj uređaj na adresi [www.hotpoint.eu/register](http://www.hotpoint.eu/register).

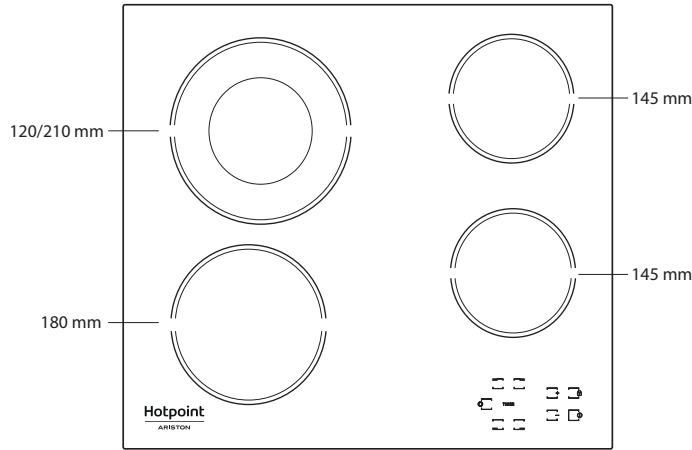


**Pažljivo pročitajte sigurnosne upute prije upotrebe uređaja.**

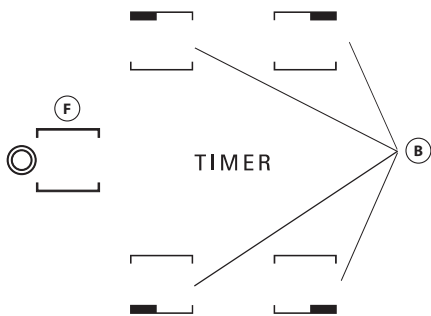
**SKENIRAJTE QR KOD NA SVOM UREĐAJU DA BISTE DOBILI VIŠE INFORMACIJA**



## OPIS PROIZVODA



## UPRAVLJAČKA PLOČA



- A** Uključivanje/isključivanje
- B** Odabir područja kuhanja i mjerača vremena
- C-E** Povećanje i smanjenje postavke topline
- D** Zaključavanje tipki
- F** Višestruko područje kuhanja

## PRVA UPOTREBA

Nakon prvog postavljanja upravljačka ploča provodi funkcionalno ispitivanje u trajanju od oko 1 s nakon čega se automatski prebacuje na funkciju "Zaključavanje tipki". Funkciju isključite tako da pritisnete i držite gumb "D"; oglasit će se zvučni

signal i isključiti odgovarajuće led svjetlo.

**NAPOMENA:** Ako dođe do ponovnog postavljanja, ponovite gore opisani postupak.

## SVAKODNEVNA UPORABA



### UKLJUČIVANJE/ISKLUČIVANJE PLOČE

Štednjak uključite tako da gumb "A" držite pritisnutim oko 2 sekunde. Na zaslonima 4 područja kuhanja prikazuje se "0". Ako se u roku od 20 sekundi ne uključi niti jedno područje kuhanja, štednjak se automatski isključuje iz sigurnosnih razloga.

### UKLJUČIVANJE I PODEŠAVANJE ZONA ZA KUHANJE

Pritisnite jedan od gumba "B" koji odgovara području kuhanja koje namjeravate upotrebljavati. Odaberite traženu postavku topline pomoću gumba "E" ili "C". Ostale postavke kuhanja koje se mogu odabrati numerirane su od 1 do 9. Istovremeno pritisnite gumb "+/-" kako biste poništili sve postavke.

**VAŽNO:** komanda se isključuje nakon 10 sekundi ako nije odabrana postavka topline. Promjenu topline promijenite tako da najprije ponovno pritisnete gumb za odabir "B", zatim nastavite s promjenom postavke pomoću gumba "E" ili "C".



### VIŠESTRUKO PODRUČJE KUHANJA

Nakon odabira željenog područja i postavljanja razine (kako je opisano u prethodnom dijelu) pritisnite "F": uključuje se indikator iznad gumba koji uključuje dodatno područje. Višestruko područje kuhanja može se upotrebljavati samo ako je:

- područje kuhanja omogućeno za višestruko područje kuhanja;
- odabrana razina snage viša od 0.

Višestruko područje kuhanja isključite tako da pritisnete gumb "B" željenog područja, a zatim ponovno pritisnete "F".

### TIMER

Funkciju mjerača vremena postavite tako da odaberete željeno područje kuhanja i postavku snagu, zatim ponovno pritisnete tipku područja kuhanja i na zaslonu područja kuhanja s mjeračem vremena prikazuje se svjetleća točka. Oznaka "00" treperi na 2 zaslona. Pritisnite gumb "C" ili "E" za postavljanje vremena od 1 do 99.

**VAŽNO:** nakon 10 sekundi na zaslonu mjerača vremena prikazuje se postavka snage ostalih područja kuhanja.

Preostalo vrijeme kuhanja pogledajte tako da dva puta pritisnete tipku područja kuhanja s mjeračem vremena.

## FUNKCIJA A

Ova funkcija omogućuje da se automatski smanji snaga zone za kuhanje od najveće vrijednosti (razina 9) do one koju korisnik odabere u kasnijoj fazi kuhanja. Da biste uključili ovu funkciju, prvo pritisnite gumb "+" kad se postigne razina 9. Na zaslonu naizmjenično trepere "A" i "9" slabijim svjetlom.

Tada odaberite željenu razinu snage (manje od 9) s pomoću gumba "-".

"A" i odabrana razina naizmjenično trepere slabijim svjetlom na zaslonu.

Funkcija je uključena kad "A" i odabrana razina naizmjenično trepere slabijim svjetlom na zaslonu.

Kad "A" više nije vidljiv na zaslonu (funkcija "A" automatski se isključuje nakon nekoliko minuta ovisno o postavljenoj razini snage), postupak kuhanja nastavlja se slabijom snagom i na zaslonu se prikazuje samo odabrana razina snage.

**NAPOMENA:** ova funkcija nije moguća na razini 9.



## ZAKLJUČAVANJE TIPKI

Funkcija Zaključavanje tipki uključuje se tako da se gumb "D" drži pritisnut sve dok ne zasvijetle točke iznad gumba funkcije. Na upravljačkoj ploči zaključavaju se sve funkcije osim funkcije za isključivanje. Funkcija ostaje uključena čak i nakon ponovnog isključivanja i uključivanja gumba i može se isključiti ponovnim pritiskom na gumb "D" sve dok se ne isključi funkcijskog gumba.

Kad je ploča za kuhanje isključena s pomoću zaključavanja tipki koja je uključena da bi isključila ploču za kuhanje, prvo isključite funkciju zaključavanja tipki tako da ponovno pritisnete gumb "D" sve dok se ne isključi točka iznad gumba funkcije.

Vodom, tekućinom prolivenom iz posude ili bilo kakvim predmetima na tipkama ispod simbola slučajno možete aktivirati ili deaktivirati funkciju zaključavanja tipki.



## INDIKATOR PREOSTALE TOPLINE

Kada se područje kuhanja isključi, indikator preostale topline "H" ostaje isključen i treperi naizmjenično s "0" sve dok se temperatura štednjaka ne vrati unutar razina sigurnosti.

## TABLICA KUHANJA

RAZINA SNAGE		VRSTA PRIPREME JELA	RAZINA UPOTREBE (označava iskustvo u kuhanju i navike)
Maksimalna snaga	9	Ključanje	Idealno za brzo povećanje temperature jela na brzo vrenje, predviđeno za vodu ili tekućine koje se brzo zagrijavaju.
	9-8	Prženje	Idealno za jače završno pečenje, početak kuhanja, prženje zamrznutih proizvoda, brzo zakuhanje.
Visoka snaga	8-7	Završno pečenje – održavanje vrenja – pečenje na roštilju	Idealno za prženje, održavanje jakog ključanja, kuhanje i pečenje na roštilju (kratkotrajno, 5 – 10 minuta).
	7-6	Prženje – kuhanje – pečenje na roštilju	Idealno za održavanje laganog ključanja, kuhanje i pečenje na roštilju (srednje trajanje, 10 – 20 minuta), predgrijavanje i prženje.
Srednja snaga	6-5	Lagano prženje	Idealno za prženje jaja, omlete.
	5-4	Kuhanje – pirjanje – vrenje	Idealno za recepte s dugom pripremom (riža, umaci, pečenja, riba) s tekućinom (npr. voda, vino, temeljac, mlijeko), pripremu tjestenine s umakom.
	4-3	Zgušnjavanje – tjestenina s kremastim umakom	
Niska snaga	2-1	Održavanje hrane vrućom – kremasti rižoto	Idealno za održavanje netom kuhane hrane toplom (npr. umaka, juha, minestrone), kremasti rižoto i održavanje posluženih jela toplim.
Minimalna snaga	1	Odmrzavanje	Idealno za odmrzavanje malih proizvoda i lagano topljenje čokolade ili maslaca.
Nulta snaga	0	-	Ploča je u stanju mirovanja ili je isključena (moguća preostala toplina nakon kuhanja, označena slovom "H").

## ČIŠĆENJE I ODRŽAVANJE

### ⚠ Iskopčajte uređaj iz struje.

- Ne upotrebljavajte pribor za parno čišćenje.
- Ne upotrebljavajte abrazivne spužve ili spužve za ribanje jer one mogu oštetiti staklo.
- Nakon svake upotrebe očistite ploču (kada se ohladi) kako biste uklonili ostatke i mrlje od ostataka hrane.

**VAŽNO:** Sigurnosne značajke štednjaka uključuju i funkciju automatskog isključivanja. Produljena upotreba iste postavke topline uključuje automatsko isključivanje područja kuhanja (na primjer, nakon oko 1 sata rada na maksimalnoj postavci topline područje kuhanja isključuje se).

**VAŽNO:** Da bi se izbjeglo trajno oštećenje ploče za kuhanje:

- nemojte upotrebljavati lonce kojima dno nije potpuno ravno;
- nemojte upotrebljavati metalne lonce s emajliranim dnom;
- nemojte postavljati vruće lonce/tave na upravljačku ploču.

Ova je ploča opremljena i funkcijom "automatskog isključivanja" koja isključuje zonu za kuhanje ako nijedna izmjena razine snage nije napravljena nakon određenog vremenskog okvira ovisno o samoj postavci snage. U tablici je navedeno trajanje svake razine snage.

RAZINA SNAGE	VRIJEME AUTOMATSKOG ISKLJUČIVANJA
0	30 sekundi
1	10 sati
2	5 sati
3	5 sati
4	4 sata
5	3 sata
6	2 sata
7	2 sata
8	2 sata
9	1 sat

**Hotpoint**

ARISTON

## RJEŠAVANJE PROBLEMA

Ako ploča za kuhanje ne radi pravilno, prije pozivanja postprodajnog servisa pogledajte vodič za otklanjanje poteškoća kako biste utvrdili problem.

- Pročitajte i pridržavajte se uputa navedenih u dijelu "Svakodnevna uporaba".
- Provjerite da napajanje nije isključeno.
- Dobro osušite ploču nakon čišćenja.
- Ako je odabrano područje kuhanja i na zaslonu se prikazalo "F" ili "ER" popraćeno brojkom, obratite se postprodajnoj službi i obavijestite ih.
- Ako je kod pogreške "F03", "ER03" ili "E02", pokušajte ga riješiti prateći ove upute:
  - Ako se pojavi pogreška "E02", provjerite da niste na dulje od 5 sekundi pritiskali gumb, da na području sučelja uređaja nema predmeta i da je ono suho i čisto, a prilikom čišćenja pratite odlomak čišćenje i održavanje.
  - Ako se pojavi pogreška "F03", pokušajte ponovno isključiti i ponovno uključiti ploču za kuhanje.
  - Ako se pojavi pogreška "F04", obratite se postprodajnoj službi i recite im koji se kod prikazao.

- Ako štednjak ne radi nakon dulje, intenzivne upotrebe, unutarnja temperatura štednjaka je previsoka. Pričekajte nekoliko minuta da se štednjak ohladi.
- Ako grijač nije stalno uključen, već se ciklički uključuje i isključuje iako se ne mijenja razina snage na zaslonu ne mijenja, to je dio uobičajenog rada ploče za kuhanje. Ciklus uključivanja/isključivanja omogućuje regulaciju snage grijača i potpuno je uobičajen. U nekim slučajevima mogla bi se na određeno vrijeme isključiti toplinska zaštita da bi se izbjeglo oštećenje stakla. Takvi su slučajevi: dugotrajno kuhanja na visokoj razini snage, u loncu koji je manji od grijača i u loncu koji nema ravno dno.
- Ako ploča za kuhanja odašilje kratki zvuk, a da niste pritisnuli nijedan gumb, provjerite ima li prolivene tekućine na sučelju uređaja. Osušite sučelje uređaja i nastavite upotrebljavati ploču za kuhanje. Ako se ploča za kuhanje automatski isključila, to je možda prouzročila tekućina na sučelju uređaja. Osušite sučelje uređaja i ponovno uključite ploču za kuhanje.

Ako i nakon navedenih provjera kvar ostaje, obratite se najbližem postprodajnom servisu.

## POSTPRODAJNI SERVIS

Kako bismo vam mogli pružiti potpuniju pomoć, registrirajte svoj uređaj na adresi [www.hotpoint.eu/register](http://www.hotpoint.eu/register).

### PRIJE NEGO ŠTO KONTAKTIRATE POSTPRODAJNI SERVIS:

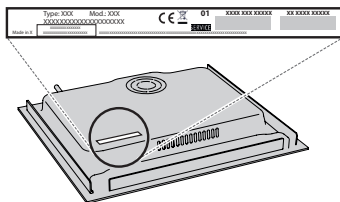
1. Pogledajte možete li sami riješiti problem uz pomoć prijedloga danih u **VODIČ ZA RJEŠAVANJE PROBLEMA**.
2. Isključite i ponovno uključite uređaj kako biste provjerili je li kvar uklonjen.

### AKO SE I NAKON NAVEDENIH PROVJERA KVAR I DALJE JAVLJA, OBRATITE SE NAJBLIŽEM POSTPRODAJNOM SERVISU.

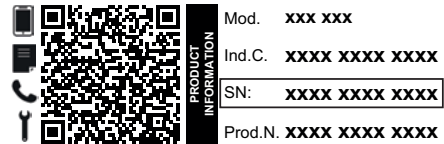
Za pomoć nazovite broj u knjižici jamstva ili slijedite upute na webmjestu [www.hotpoint.eu](http://www.hotpoint.eu).

Kada kontaktirate korisničku službu uvijek navedite:

- kratki opis kvara,
- vrstu i točan model uređaja;



- serijski broj (broj iza riječi SN na nazivnoj pločici na dnu uređaja). Serijski je broj naveden i u dokumentaciji;



- svoju punu adresu;
- svoj telefonski broj.

Ako je popravak potreban obratite se ovlaštenom Postprodajnom servisu (kako bi se jamčila uporaba originalnih rezervnih dijelova i ispravan popravak).

**Do pravilne uporabe, standardne dokumentacije i dodatnih informacija o izdankih lahko dostopate na naslednje načine:**

- Skenirajte QR-kodo na svojem aparatu;
- Obiščite našo spletno stran [docs.hotpoint.eu](http://docs.hotpoint.eu);
- **Obrnete se lahko tudi na našo servisno službo** (telefonske številke so navedene v servisni knjižici). Ko stopite v stik z našo servisno službo, navedite kode, ki so zapisane na identifikacijski ploščici izdelka.





## BEZBEDNOSNA UPUTSTVA

## VAŽNO JE DA SE PROČITAJU I POŠTUJU

Preuzmite kompletno korisničko uputstvo sa adrese <http://docs.hotpoint.eu> ili pozovite broj telefona koji se nalazi u garantnoj knjižici.

Pažljivo pročitajte ova bezbednosna uputstva pre upotrebe uređaja. Sačuvajte ih za buduću upotrebu. Ovaj priručnik i sam uređaj pružaju važna bezbednosna upozorenja koja morate pročitati i kojih se morate uvek pridržavati. Proizvođač se odriče svake odgovornosti u slučaju nepoštovanja ovih bezbednosnih uputstava, nepravilnog korišćenja uređaja ili nepravilno podešenih kontrola.

⚠ **UPOZORENJE:** Ukoliko je površina ploče za kuvanje naprsila, nemojte koristiti uređaj - postoji rizik od električnog udara.

⚠ **UPOZORENJE:** Opasnost od požara: ne skladištite stvari na površinama za kuvanje.

⚠ **OPREZ:** Proces kuvanja mora da se nadgleda. Kraći proces kuvanja mora neprekidno da se nadgleda.

⚠ **UPOZORENJE:** Kuvanje na ploči bez nadzora, kada se koristi mast ili ulje, može da bude opasno - postoji rizik od požara. NIKADA nemojte pokušavati da ugasisite požar vodom: umesto toga, isključite uređaj, a zatim pokrijte plamen poklopcem, na primer, ili vatrostalnim prekrivačem.

⚠ Nemojte da koristite ploču za kuvanje kao potporu ili radnu površinu. Krpe i druge zapaljive materijale držite dalje od uređaja dok se svi delovi potpuno ne ohlade - postoji rizik od požara.

⚠ Malu decu (do 3 godine) treba držati dalje od uređaja. Malu decu (3-8 godina) treba držati dalje od uređaja, osim ukoliko imaju konstantan nadzor. Deca starosti od 8 godina i više i osobe sa umanjenim fizičkim, čulnim ili mentalnim sposobnostima ili manjkom iskustva i znanja, mogu da koriste ovaj uređaj samo ako su pod nadzorom ili ako su im data uputstva za bezbedno korišćenje uređaja i ukoliko razumeju moguće rizike. Deca se ne smeju igrati sa uređajem. Čišćenje i održavanje ne smeju vršiti deca bez nadzora.

⚠ **UPOZORENJE:** Uređaj i njegovi dostupni delovi jako se zagrevaju u toku upotrebe. Pobrinite se da ne dođe do kontakta sa grejačima. Decu mlađu od 8 godina treba uvek držati po strani, ukoliko nisu pod stalnim nadzorom.

### DOZVOLJENA UPOTREBA

⚠ **OPREZ:** Uređaj nije predviđen da se njime upravlja spoljnim uređajem za uključivanje, kao što je tajmer, ili odvojenim sistemom za daljinsko upravljanje.

⚠ Ovaj uređaj je namenjen za upotrebu u domaćinstvu i takođe se može koristiti: u kuhinjama za osoblje u prodavnicama, kancelarijama i drugim radnim okruženjima; u seoskim gazdinstvima; od strane gostiju hotela, motela, prenočišta sa doručkom i drugih objekata za smeštaj gostiju.

⚠ Nijedna druga upotreba nije dozvoljena (npr. zagrevanje prostorija).

⚠ Ovaj uređaj nije namenjen za profesionalnu upotrebu. Ne koristite uređaj na otvorenom.

### UGRADNJA

⚠ Ovim uređajem moraju rukovati i montirati ga dve ili više osoba - postoji rizik od povrede. Prilikom raspakivanja i ugradnje, koristite zaštitne rukavice - rizik od posekotina.

⚠ Ugradnju, uključujući dovod vode (ako postoji), električno povezivanje i popravke mora da obavi kvalifikovani tehničar. Ne popravljajte delove uređaja i ne menjajte ih ukoliko to nije izričito navedeno u uputstvu za upotrebu. Držite decu podalje od mesta ugradnje. Nakon otpakivanja uređaja, uverite se da nije došlo do oštećenja prilikom transporta. U slučaju da ima nekih problema, obratite se svom prodavcu ili najbližoj Postprodajnoj službi. Nakon ugradnje, otpadna ambalaža (plastični delovi, delovi od stiropora itd.) se mora čuvati van domašaja dece - rizik od gušenja. Pre ugradnje, uređaj se mora isključiti sa strujnog napajanja - postoji rizik od strujnog udara. Pazite da uređaj ne ošteti kabl za napajanje tokom ugradnje - postoji rizik od požara ili strujnog udara. Aktivirajte uređaj tek nakon što je postupak ugradnje završen.

⚠ Sva sečenja na vitrini obavite pre postavljanja uređaja u kućište i uklonite sve opiljke i strugotinu.

⚠ Ukoliko uređaj nije postavljen iznad rerne, pregradna ploča (koja nije uključena) se mora postaviti u odeljak ispod uređaja.

### OPASNOST OD ELEKTRIČNOG UDARA

⚠ Mora biti omogućeno isključivanje uređaja sa napajanja izvlačenjem utikača iz utičnice, ukoliko joj se može pristupiti, ili putem dostupnog višepolnog prekidača postavljenog iznad utičnice u skladu sa pravilima ožičenja, a uređaj mora biti uzemljen, u skladu sa nacionalnim bezbednosnim standardima.

⚠ Ne koristite produžne kablove, višestruke utičnice ili adaptere. Nakon ugradnje električni delovi ne smeju da budu dostupni korisniku. Ne koristite uređaj kada ste mokri ili bos. Ne rukujte ovim uređajem ako mu je oštećen kabl za napajanje ili utikač, ako ne radi kako treba, ili ako je oštećen ili ste ga ispustili.

⚠ Instalacija pomoću utikača strujnog kabla nije dozvoljena, osim u slučaju da je proizvod već opremljen utikačem koji je obezbedio Proizvođač.

⚠ Ukoliko je kabl za napajanje oštećen, potrebno je da ga proizvođač, serviser ili druga kvalifikovana osoba zameni istim takvim kako bi se izbegla opasnost - postoji rizik od električnog udara.

### ČIŠĆENJE I ODRŽAVANJE

⚠ **UPOZORENJE:** Pre obavljanja čišćenja ili održavanja, vodite računa da uređaj bude isključen i da ne bude priključen na strujno napajanje; nikada ne koristite opremu za čišćenje parom - postoji rizik od električnog udara.

⚠ Nemojte da koristite abrazivne ili korozivne proizvode, sredstva za čišćenje na bazi hlora ili mrežice za čišćenje posuđa.

---

## ODLAGANJE AMBALAŽE


Materijal za pakovanje je moguće 100% reciklirati i označen je reciklažnim simbolom .

Razni delovi pakovanja se moraju odgovorno odlagati u skladu i potpuno sa lokalnim propisima o odlaganju otpada.

## ODLAGANJE KUĆNIH UREĐAJA

Ovaj uređaj je proizveden od materijala koji se mogu reciklirati ili ponovo upotrebiti. Odložite ga u skladu s lokalnim propisima o odlaganju otpada. Za više informacija o tretmanu, ponovnom iskorišćavanju i reciklaži kućnih električnih uređaja obratite se nadležnom lokalnom organu vlasti, službi za sakupljanje komunalnog otpada ili prodavnici u kojoj ste kupili uređaj. Ovaj uređaj je označen u skladu sa Evropskom direktivom 2012/19/EU o električnoj i elektronskoj opremi (WEEE) i u skladu sa regulativama o električnoj i elektronskoj opremi 2013 (sa izmenama i dopunama).

Ako pravilno odložite proizvod na otpad, pomoći ćete u sprečavanju potencijalnih negativnih posledica po životnu sredinu i zdravlje ljudi.

Simbol  na proizvodu ili na dokumentima koji prate proizvod pokazuje da se ovaj uređaj ne može tretirati kao otpad iz domaćinstva, već treba da se dostavi odgovarajućem centru za sakupljanje i recikliranje električne i elektronske opreme.

## SAVETI ZA UŠTEDU ENERGIJE

Iskoristite maksimalno zaostalu toplotu koju proizvodi ringla, tako što ćete isključiti uređaj par minuta pre završetka kuvanja.

Osnova tiganja ili šerpe treba u potpunosti da prekrije ringlu; posuda koja je manje površine nego ringla će bespotrebno trošiti energiju.

Tiganje i šerpe prekrijte poklopcima prilikom kuvanja i koristite što manje vode. Priprema hrane u posudi bez poklopca će dovesti do pojačane potrošnje energije.

**Koristite samo šerpe i tiganje sa ravnim dnom.**

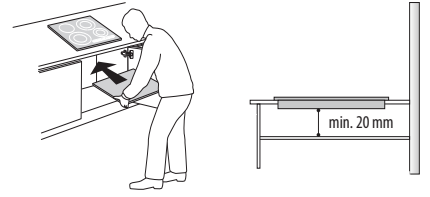
## IZJAVA O USAGLAŠENOSTI

Ovaj uređaj ispunjava zahteve za Evropsku odredbu 66/2014 i propise za ekološki dizajn za proizvode u vezi sa energijom i energetske informacije (amandman) (izlazak iz EU) 2019, u skladu sa Evropskim standardom EN 60350-2.



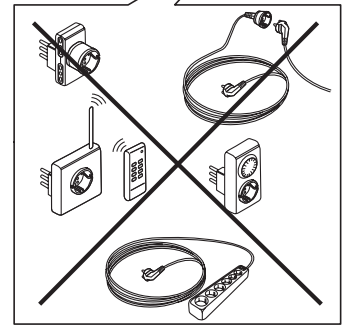
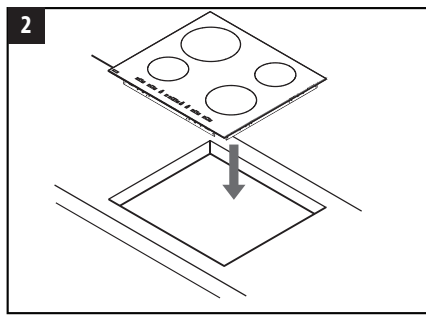
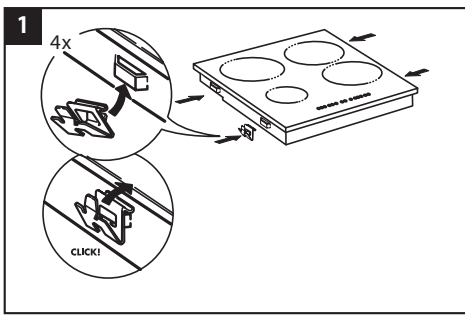
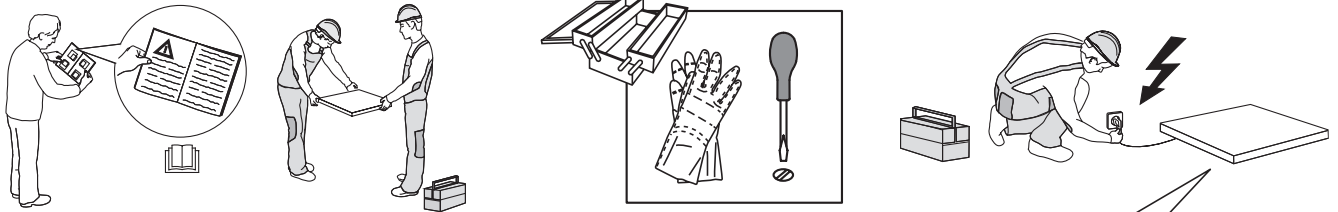
# UGRADNJA

- Ploča za kuvanje mora da bude postavljena u radnu površinu na dubini od najmanje 20 mm.
- Između površine za kuvanje i rerne ne sme ništa da stoji (vođice, podupirači, itd.).
- Postarajte se da kabl za napajanje bude odgovarajuće dužine koja će omogućiti prikladnu instalaciju.
- Razdaljina između donje strane staklo-keramičke ploče za kuvanje ili kuhinjskog elementa ili razdvajajuće ploče mora da bude najmanje 20 mm.
- Za ugradne dimenzije i ugradnju pogledajte sliku u ovom pasusu.
- Minimalno rastojanje između ploče za kuvanje i aspiratora iznad nje se mora ispoštovati. Više informacija potražite u korisničkom uputstvu za aspirator.
- Dostavljenu zaptivku postavite na površinu za kuvanje (osim ako nije već postavljena), nakon što ste očistili površinu.
- **Površinu za kuvanje nemojte montirati pored mašine za pranje posuđa ili rublja da električna kola ne bi došla u kontakt sa parom ili vlagom što bi moglo da ih ošteti.**
- Ukoliko je rerna smeštena ispod površine za kuvanje, vodite računa da poseduje rashladni sistem. Ukoliko temperatura električnih kola premaši maksimalnu dozvoljenu temperaturu, površina za kuvanje će se odmah isključiti; u tom slučaju, sačekajte par minuta dok se unutrašnja temperatura električnih kola ne spusti na podnošljiv nivo, kada ćete ujedno moći opet da uključite ploču za kuvanje.

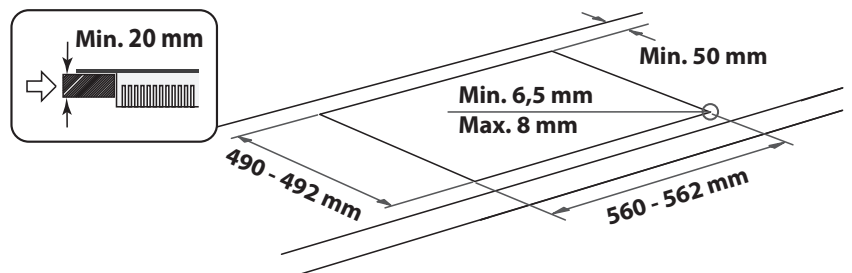
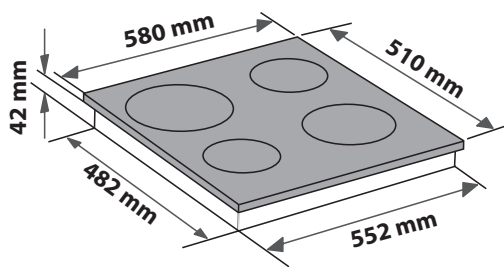
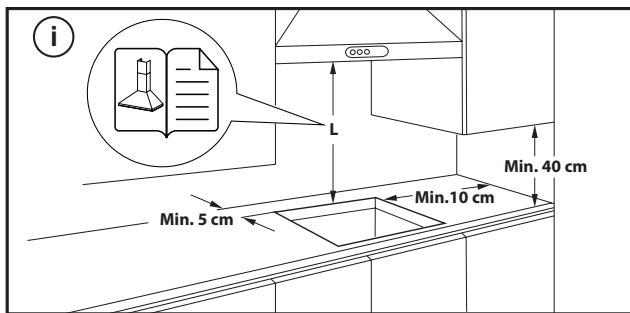


## POSTAVLJANJE PLOČE ZA KUVANJE

Nakon priključivanja na električnu mrežu (pogledajte poglavlje "Priključivanje na električnu mrežu"), postavite svaki od pričvrtnih držača na namenska ležišta na bočnim stranama ploče za kuvanje, kao što je prikazano na slici. Zatim gurnite ploču za kuvanje unutar izreza i proverite da li je staklo ravno i paralelno sa radnom pločom. Pričvrtni držači su projektovani za svaku vrstu materijala radne ploče (drvo, mermer, itd).



## DIMENZIJE I RAZMACI



## UKLANJANJE PLOČE:

Da biste uklonili ploču, prvo je isključite iz električnog napajanja. Preporučuje se da obavezno oslobodite gornji deo od rerne, fioke, pregradne ploče ili drugog elementa. To omogućava tehničaru da pristupi donjem delu ploče radi odvrtanja četiri žabice pomoću odvijača i da podigne ploču i skine je bez oštećenja radne površine.

# PRIKLJUČIVANJE NA ELEKTRIČNO NAPAJSANJE

Povezivanje električnih priključaka se mora izvršiti pre priključenja uređaja na električnu mrežu.

Kabl za napajanje se ne isporučuje uz proizvod – ne zaboravite da pripremite svoj kabl za napajanje.




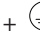
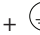
Montiranje mora da obavi kvalifikovano osoblje koje je upoznato sa aktuelnim propisima u vezi sa bezbednošću i montiranjem. Naročito, montiranje se mora izvršiti u skladu sa propisima lokalne kompanije za snabdevanje električnom energijom.

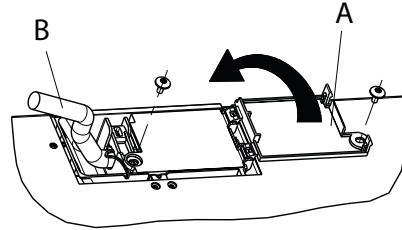
Uverite se da je napon koji je naveden na natpisnoj pločici na dnu aparata isti kao napon u kući.

Propisi nalažu da uređaj bude uzemljen: koristite isključivo provodnike (uključujući provodnik uzemljenja) odgovarajuće veličine.

## POVEZIVANJE SA PRIKLJUČNIM BLOKOM


Za priključivanje na električnu mrežu koristite kabl H05RR-F ili H05V2V2-F, kao što je navedeno u tabeli koja sledi.

MREŽNI NAPON ZA NAPAJSANJE	PROVODNICI KOLICINA x VELICINA
220-240V ~+ 	3 x 4 mm <sup>2</sup>
230-240V ~+ 	3 x 4 mm <sup>2</sup> (samo za Australiju)
220-240V 3~+ 	4 x 1,5 mm <sup>2</sup>
380-415V 3N~+ 	5 x 1,5 mm <sup>2</sup>
380-425V 2N~+ 	4 x 1,5 mm <sup>2</sup>



Uređaj mora biti priključen na električnu mrežu putem prekidača za odvajanje svih polova sa minimalnim kontaktnim zazorom od 3 mm.

**PAŽNJA:** kabl za napajanje treba da bude dovoljno dugačak kako bi površina za kuvanje mogla da se izvadi iz radne ploče, i treba da se postavi kako bi se izbeglo oštećenje ili pregrevanje do kog može da dođe prilikom kontakta sa osnovom.

**NAPOMENA:** žuti/zeleni provodnik uzemljenja mora da bude povezan sa kablovskom utičnicom sa simbolom  i mora da bude duži od ostalih žica.

- Uklonite otprilike 70 mm izolacionog omotača sa kabla napajanja (B).
- Skinite nekih 10 mm omotača sa žica. Potom umetnite kabl napajanja u klemu kabla i povežite žice sa priključnim blokom kao što je prikazano u dijagramu ožičenja koji se nalazi u blizini samog priključnog bloka.
- Osigurajte kabl napajanja (B) pomoću klemu kabla.
- Zatvorite priključni blok sa poklopcem (A) i pričvrstite ga zavrtnjima koje ste dobili.
- Nakon povezivanja električnih priključaka, postavite ploču sa kuvanje sa gornje strane i zakačite je na potporne opruge, prateći uputstva na slici.



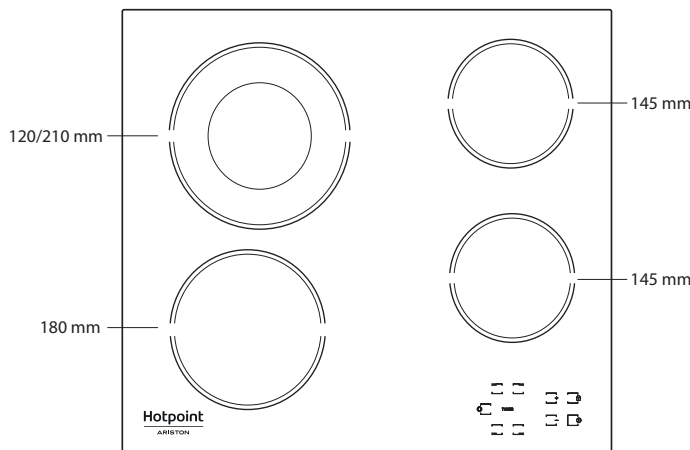
**HVALA ŠTO STE KUPILI PROIZVOD KOMPANIJE WHIRLPOOL**  
Kako biste dobili kompletniju podršku, registrujte svoj proizvod putem [www.hotpoint.eu/register](http://www.hotpoint.eu/register).

**SKENIRAJTE QR KÔD NA SVOM UREĐAJU DA BISTE DOBILI VIŠE INFORMACIJA**

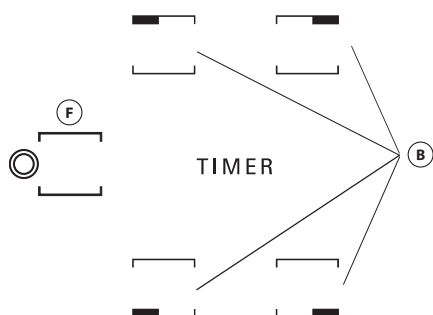


**Pažljivo pročitajte bezbedosna uputstva pre upotrebe uređaja.**

## OPIS PROIZVODA



## KONTROLNA TABLA



- A** Uključeno/isključeno
- B** Izbor zone za kuvanje i tajmera
- C-E** Povećavanje i smanjivanje temperature
- D** Zaključavanje dugmad
- F** Aktivacija / Deaktivacija višestruke zone

## PRVA UPOTREBA

Nakon prve montaže, kontrolna tabla vrši funkcionalni test u trajanju od oko 1 sekunde, nakon čega se automatski prebacuje na funkciju "Zaključavanje dugmad".

Da biste deaktivirali ovu funkciju, pritisnite i držite dugme "D"; oglosiće se zvučni signal i isključiće se odgovarajuća LED lampica.

**NAPOMENA:** Ako dođe do resetovanja, ponovite gore opisan postupak.

## SVAKODNEVNA UPOTREBA



### UKLJUČIVANJE/ISKLJUČIVANJE PLOČE ZA KUVANJE

Da biste uključili ploču za kuvanje, držite dugme "A" pritisnuto približno 2 sekunde. Za sve 4 zone za kuvanje prikazano je "0". Ako se u roku od 20 sekundi ne aktivira nijedna zona za kuvanje, ploča za kuvanje se automatski isključuje kao bezbednosna mera opreza.

### UKLJUČIVANJE I PODEŠAVANJE ZONA ZA KUVANJE

Pritisnite ono dugme "B" koje odgovara zoni za kuvanje koju želite da koristite. Izaberite željenu postavku temperature pomoću dugmadi "E" ili "C". Druge postavke kuvanja koje mogu da se izaberu idu od 1 do 9. Istovremeno pritisnite dugmad "+/-" da biste otkazali sve postavke.

**VAŽNO:** kontrola se isključuje 10 sekundi nakon odabira postavke temperature. Da biste promenili postavku temperature, prvo ponovo pritisnite dugme za izbor "B", a zatim nastavite sa promenom postavki pomoću dugmadi "E" ili "C".



### VIŠESTRUKI ZONE

Nakon što ste odabrali željenu zonu i podesili nivo (kao što je opisano u prethodnom odeljku) pritisnite "F": indikator iznad dugmeta se uključuje, čime se aktivira dodatna zona.

Višestruka zona se može koristiti samo u slučaju:

- Zona za kuvanje je opremljena višestrukim zonama;
- Odabrani nivo snage je veći od 0.

Za deaktivaciju višestruke zone, pritisnite dugme "B" željene zone, a potom ponovo pritisnite "F".

### TIMER

Da biste podesili funkciju Tajmer, izaberite željenu zonu za kuvanje i postavku snage, zatim ponovo pritisnite taster zone za kuvanje i svetla tačka će se pojaviti na displeju zone za kuvanje kontrolisane tajmerom. Indikator "00" treperi na 2 displeja. Pritisnite dugme "C" ili "E" da biste podesili vreme od 1 do 99.

**VAŽNO:** nakon 10 sekundi na displeju tajmera će biti prikazane postavke snage za druge zone za kuvanje.

Da biste videli preostalo vreme kuvanja, pritisnite taster zone za kuvanje kontrolisane tajmerom dva puta.

## FUNKCIJA A

Ova funkcija omogućava automatsko smanjivanje nivoa snage zone za kuvanje od najviše vrednosti (nivo 9) do nivoa koji je izabrao korisnik za kasniju fazu kuvanja. Da biste aktivirali ovu funkciju, prvo pritisnite dugme "+" kada se postigne nivo 9. Na displeju se prikazuje "A" i "9" naizmenično treperi na niskom nivou osvetljenosti. Tada izaberite željeni nivo snage (niži od 9) pomoću dugmeta "-".

"A" i izabrani nivo naizmenično trepere na niskom nivou osvetljenosti na displeju. Funkcija je aktivirana kada "A" i izabrani nivo naizmenično trepere na visokom nivou osvetljenosti na displeju.

Kada se "A" više ne vidi na displeju (funkcija "A" se isključuje automatski nakon nekoliko minuta u zavisnosti od podešenog nivoa snage), proces kuvanja se nastavlja na nižem nivou snage i na displeju se prikazuje samo izabrani nivo snage.

**NAPOMENA:** ova funkcija nije moguća na nivou 9.



## ZAKLJUČAVANJE DUGMAD

Funkcija Zaključavanja dugmeta uključuje se kada držite pritisnuto dugme "D" dok se ne uključi tačka iznad dugmeta funkcije. Kontrolna tabla je zaključana, osim za funkciju isključivanja. Ova funkcija ostaje uključena čak i kada se ploča za kuvanje isključi, a zatim ponovo uključi, i može se deaktivirati ponovnim pritiskom na dugme "D" dok se tačka iznad dugmeta funkcije ne isključi.

Kada je ploča isključena i kada je zaključavanje dugmeta aktivirano, da biste uključili ploču, prvo deaktivirajte funkciju zaključavanja dugmeta tako što ćete ponovo pritisnuti dugme "D" dok se tačka iznad dugmeta funkcije ne isključi.

Prisustvo vode, tečnosti prosute iz šerpi ili drugih predmeta koji se nalaze na bilo kojoj komandi može slučajno da aktivira ili deaktivira zaključavanje dugmeta.



## INDIKATOR TEMPERATURE

Kada se zona za kuvanje isključi, indikator temperature "H" ostaje uključen ili treperi smenjajući se sa oznakom "0" dok se temperatura ploče za kuvanje ne vrati na bezbedan nivo.

## TABELA ZA KUVANJE

NIVO SNAGE		VRSTA KUVANJA	NIVO KORIŠĆENJA (ukazuje na iskustvo i navike u kuvanju)
Maksimalna snaga	9	Ključanje	Idealno za brzo povećavanje temperature hrane do brzog ključanja u slučaju vode ili brzo zagrevanje tečnosti za kuvanje.
	9 – 8	Prženje	Idealno za rumenjenje, početak kuvanja, prženje zamrznutih proizvoda, brzo ključanje.
Velika snaga	8 – 7	Rumenjenje – održavanje ključanja – grilovanje	Idealno za rumenjenje, održavanje ključanja, kuvanje i grilovanje (kratko trajanje, 5 do 10 minuta).
	7 – 6	Prženje – kuvanje – grilovanje	Idealno za održavanje krčkanja, kuvanje i grilovanje (srednje trajanje, 10 do 20 minuta), predzagrevanje i prženje.
Srednja snaga	6 – 5	Nežno prženje	Idealno za prženje jaja i omleta.
	5 – 4	Kuvanje – krčkanje – dinstanje	Idealno za dugotrajno kuvanje (pirinač, sosovi, meso, riba) sa tečnostima (npr. voda, vino, supa, mleko), kremasta pasta.
	4 – 3	Zgušnjavanje – kremasta pasta	
Mala snaga	2 – 1	Održavanje toplote hrane – kremasti rižoto	Idealno za održavanje tek pripremljene hrane toplom (npr. sosovi, supe, minestrome), kremasti rižoto i održavanje toplote jela koja se serviraju.
Minimalna snaga	1	Odmrzavanje	Idealno za odmrzavanje malih proizvoda i nežno topljenje čokolade ili putera.
Nema napajanja	0	—	Ploča u režimu mirovanja ili isključena (moguća rezidualna toplota nakon kuvanja označena slovom "H").

## ČIŠĆENJE I ODRŽAVANJE

### ⚠ Isključite uređaj sa električne mreže.

- Nemojte koristiti uređaje za čišćenje parom.
- Nemojte koristiti abrazivne sundere ili strugače, jer bi mogli da oštete staklo.
- Nakon svake upotrebe, očistite ploču za kuvanje (kada je hladna) da biste uklonili naslage i fleke od ostatka hrane.
- Šećer ili hrana sa velikom količinom šećera mogu da oštete ploču za kuvanje i moraju se odmah ukloniti.

**VAŽNO:** Bezbednosne karakteristike ploče za kuvanje uključuju funkciju automatskog isključivanja. Dugotrajna primena iste postavke temperature aktivira automatsko isključivanje zone za kuvanje (na primer, nakon približno 1 sat primene maksimalne postavke temperature, zona za kuvanje se isključuje).

**VAŽNO:** Da izbegnete stalno oštećenje ploče za kuvanje:

- nemojte koristiti šerpe sa dnom koje nije ravno;
- nemojte koristiti metalne lonce sa emajliranim dnom;
- nemojte stavljati vrele šerpe/tiganje preko kontrolne table.

Ploča takođe sadrži funkciju "automatskog isključivanja" koja isključuje zonu za kuvanje ako se ne izvrši izmena nivoa snage nakon određenog perioda u zavisnosti od samog podešavanja nivoa snage. U tabeli je navedeno trajanje svakog nivoa snage.

NIVO SNAGE	VREME AUTOMATSKOG ISKLJUČIVANJA
0	30 sekundi
1	10 sati
2	5 sati
3	5 sati
4	4 sata
5	3 sata
6	2 sata
7	2 sata
8	2 sata
9	1 sat

**Hotpoint**

ARISTON

## OTKLANJANJE PROBLEMA

Ukoliko ploča za kuvanje ne radi kako bi trebalo, pogledajte vodič za rešavanje problema pre nego što pozovete službu za korisnike.

- Pročitajte i pridržavajte se uputstava datih u odeljku "Svakodnevna upotreba".
- Proverite da li je prekinuto električno napajanje.
- Dobro osušite ploču za kuvanje nakon čišćenja.
- Ukoliko je zona za kuvanje odabrana, a na displeju se pojavi "F" ili "ER" praćeno brojem, obratite se postprodajnom servisu i obavestite ih.
- Ako je kôd greške "F03", "ER03" ili "E02", pokušajte da je otklonite prema ovim uputstvima:
  - Ako se prikaže greška "E02", pazite da ne pritisnete dugmad duže od 5 sekundi, da nema predmeta u oblasti HMI interfejsa i da je interfejs čist i suv. Prilikom čišćenja sledite uputstva iz odeljka Čišćenje i održavanje.
  - Ako se prikaže greška "F03", pokušajte da isključite i ponovo uključite ploču za kuvanje.
  - Ako se prikaže greška "F04", obratite se postprodajnom servisu i obavestite ih o prikazanom kôdu greške.

- Ukoliko ploča za kuvanje ne radi nakon intenzivne upotrebe, unutrašnja temperatura same ploče je previsoka. Sačekajte par minuta dok se ploča za kuvanje ne ohladi.
- Ako je grejač neprekidno uključen, ali se ciklično isključuje i uključuje čak i kada se nivo snage na displeju ne menja, to je deo normalnog funkcionisanja ploče. Ciklus uključivanja/isključivanja omogućava regulaciju snage grejača i sasvim je normalno. U nekim slučajevima, toplotna zaštita može da isključi grejač u određenom periodu da bi se izbeglo oštećenje stakla. Primeri takvih slučajeva su: dugo kuvanje na visokom nivou snage, upotreba šerpi koje su manje od grejnog elementa i korišćenje šerpi čije dno nije ravno.
- Ako ploča emituje kratak zvuk a da korisnik nije pritisnuo nijedno dugme, uklonite svu tečnost koja je prosuta na HMI interfejs. Osušite HMI interfejs i nastavite da koristite ploču. Ako je ploča isključena automatski, do toga je možda došlo usled prisustva tečnosti na HMI interfejsu. Osušite HMI interfejs i ponovo uključite ploču.

Ukoliko i posle navedenih provera kvar još uvek postoji, obratite se najbližem postprodajnom servisu.

## POSTPRODAJNI SERVIS

U cilju dobijanja sveobuhvatne pomoći i podrške, registrujte proizvod na [www.hotpoint.eu/register](http://www.hotpoint.eu/register).

### PRE NEGO ŠTO POZOVETE POSTPRODAJNI SERVIS:

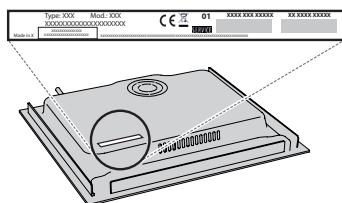
1. Proverite da li možete da rešite problem sami uz pomoć saveta datih u odeljku **OTKLANJANJE PROBLEMA**.
2. Uključite pa isključite uređaj i proverite da li je kvar i dalje prisutan.

### UKOLIKO I NAKON GORENAVEDENIH PROVERA KVAR I DALJE POSTOJI, OBRATITE SE NAJBLIŽEM POSTPRODAJNOM SERVISU.

Za dobijanje podrške, pozovite broj prikazan na garantnoj knjižici, ili sledite instrukcije na veb stranici [www.hotpoint.eu](http://www.hotpoint.eu).

Prilikom kontaktiranja našeg postprodajnog servisa za kupce potrebno je da navedete:

- kratak opis kvara;
- tip i tačan model uređaja;



- serijski broj (broj iza reči SN na pločici sa podacima koja se nalazi ispod uređaja). Serijski broj je takođe naveden u dokumentaciji;



- svoju punu adresu;
- svoj broj telefona.

Ukoliko su potrebne bilo kakve popravke, obratite se ovlašćenom postprodajnom servisu (kako biste bili sigurni da će se koristiti originalni rezervni delovi i da će popravke biti izvedene na pravi način).

### Smernice, standardna dokumentacija i dodatne informacije o proizvodu se mogu naći:

- Pomoću QR koda na uređaju;
- Na našem veb-sajtu [docs.hotpoint.eu](http://docs.hotpoint.eu);
- Takođe, možete **kontaktirati naš postprodajni servis** (broj se nalazi u garantnoj knjižici). Prilikom kontaktiranja našeg postprodajnog servisa, navedite šifru koja se nalazi na pločici za identifikaciju proizvoda.



# INSTRUCȚIUNI PRIVIND SIGURANȚA

## IMPORTANT: TREBUIE CITITE ȘI RESPECTATE

Descărcați manualul cu instrucțiuni complet de pe site-ul <http://docs.hotpoint.eu> sau sunați la numărul indicat pe certificatul de garanție.

Înainte de a utiliza aparatul, citiți aceste instrucțiuni privind siguranța. Păstrați-le la îndemână pentru a le putea consulta și pe viitor.

Aceste instrucțiuni și aparatul în sine furnizează avertismente importante privind siguranța, care trebuie respectate întotdeauna. Producătorul nu își asumă nicio răspundere pentru nerespectarea acestor instrucțiuni de siguranță, pentru utilizarea necorespunzătoare a aparatului sau pentru setarea incorectă a butoanelor de comandă.

⚠ **AVERTISMENT:** Dacă suprafața plitei este crăpată, nu folosiți aparatul - risc de electrocutare.

⚠ **AVERTISMENT:** Pericol de incendiu: nu depozitați articole pe suprafețele de gătit.

⚠ **ATENȚIE:** Procesul de preparare trebuie să fie supravegheat. Un proces de preparare care durează puțin trebuie să fie supravegheat în permanență.

⚠ **AVERTISMENT:** Prepararea la plită cu grăsime sau ulei poate fi periculoasă - risc de incendiu. Nu încercați NICIODATĂ să stingeți un incendiu folosind apă: opriți aparatul și apoi acoperiți flacăra, de exemplu, cu un capac sau cu o pătură ignifugă.

⚠ Nu utilizați plita ca suprafață de lucru sau suport. Nu amplasați articole vestimentare sau alte materiale inflamabile lângă aparat până când nu s-au răcit complet toate componentele acestuia - pericol de incendiu.

⚠ Nu lăsați aparatul la îndemâna copiilor foarte mici (0-3 ani). Nu lăsați aparatul la îndemâna copiilor mici (3-8 ani) decât dacă sunt supravegheați în permanență. Copiii cu vârsta de peste 8 ani și persoanele cu capacități fizice, senzoriale sau mintale reduse sau fără experiență și cunoștințe pot folosi acest aparat doar dacă sunt supravegheate sau au fost instruite cu privire la utilizarea în siguranță și înțeleg riscurile implicate. Copiii nu trebuie să se joace cu aparatul. Curățarea și întreținerea nu trebuie să fie efectuate de către copii fără a fi supravegheați.

⚠ **AVERTISMENT:** Aparatul și părțile sale accesibile se înfierbântă în timpul utilizării. Trebuie evitată atingerea rezistențelor. Copiii cu vârste mai mici de 8 ani nu trebuie lăsați să se apropie de aparat, cu excepția cazurilor în care sunt supravegheați în permanență.

### UTILIZAREA PERMISĂ

⚠ **ATENȚIE:** aparatul nu trebuie să fie pus în funcțiune prin intermediul unui comutator extern, precum un temporizator, sau al unui sistem de comandă la distanță separat.

⚠ Acest aparat este proiectat pentru a fi utilizat în locuințe, precum și în alte spații, cum ar fi: bucătării destinate personalului din magazine, birouri și alte spații de lucru;

ferme; de către clienții din hoteluri, moteluri, unități de cazare de tip "bed and breakfast" și alte spații rezidențiale. ⚠ Nu este permisă nicio altă utilizare (de ex., încălzirea încăperilor).

⚠ Acest aparat nu este destinat utilizării în scop profesional. Nu utilizați aparatul afară.

### INSTALARE

⚠ Manevrarea și instalarea aparatului trebuie să fie efectuate de două sau mai multe persoane - risc de rănire. Folosiți mănuși de protecție la despachetare și instalare - risc de tăiere.

⚠ Instalarea, inclusiv racordarea la rețeaua de alimentare cu apă (dacă este necesară) și la rețeaua de alimentare cu energie electrică, precum și reparațiile trebuie efectuate de un tehnician calificat. Nu reparați și nu înlocuiți nicio componentă a aparatului, cu excepția cazului în care acest lucru este indicat în mod expres în manualul de utilizare. Nu lăsați copiii în apropierea zonei de instalare. După despachetarea aparatului, asigurați-vă că acesta nu a fost deteriorat în timpul transportului. Dacă apar probleme, contactați distribuitorul sau cel mai apropiat serviciu de asistență tehnică post-vânzare. Odată instalat aparatul, deșeurile de ambalaje (bucăți de plastic, polistiren etc.) nu trebuie lăsate la îndemâna copiilor - risc de asfixiere. Înainte de orice operație de instalare, aparatul trebuie să fie deconectat de la rețeaua de alimentare cu energie electrică - risc de electrocutare. În timpul instalării, aveți grijă ca aparatul să nu deterioreze cablul de alimentare - risc de incendiu sau de electrocutare. Activați aparatul numai atunci când instalarea a fost finalizată.

⚠ Efectuați toate operațiile de tăiere a dulapului înainte de montarea aparatului și îndepărtați toate așchiile de lemn și rumegușul.

⚠ În cazul în care aparatul nu este montat deasupra unui cuptor, trebuie să fie instalat un panou despărțitor (neinclus în dotarea aparatului) în compartimentul de sub acesta.

### AVERTISMENTE PRIVIND ALIMENTAREA CU ENERGIE ELECTRICĂ

⚠ Aparatul trebuie să poată fi deconectat de la rețeaua electrică fie prin scoaterea ștecherului din priză (dacă ștecherul este accesibil), fie prin intermediul unui întrerupător multipolar situat în amonte de priză, în conformitate cu normele privind cablurile electrice, și trebuie să fie împământat în conformitate cu standardele naționale privind siguranța electrică.

⚠ Nu utilizați prelungitoare, prize multiple sau adaptoare. După finalizarea instalării, componentele electrice nu trebuie să mai fie accesibile pentru utilizator. Nu utilizați aparatul dacă aveți părți ale corpului umede sau când sunteți desculți. Nu puneți în funcțiune acest aparat dacă are cablul de alimentare sau ștecherul deteriorat, dacă nu funcționează



corespunzător sau dacă a fost deteriorat sau a căzut pe jos.

⚠ Instalarea folosind o fișă de cablu de alimentare nu este permisă, cu excepția cazului în care produsul este deja dotat cu una furnizată de producător.


⚠ În cazul în care cablul de alimentare este deteriorat, acesta trebuie să fie înlocuit cu unul identic de către producător, agentul său de service sau alte persoane calificate, pentru a evita orice pericol sau risc de electrocutare.

### **CURĂȚAREA ȘI ÎNTREȚINEREA**

⚠ AVERTISMENT: Asigurați-vă că aparatul este oprit și deconectat de la sursa de alimentare înainte de a efectua orice operație de întreținere; nu folosiți niciodată aparate de curățare cu aburi - risc de electrocutare.

⚠ Nu utilizați produse abrazive sau corozive, produse pe bază de clor sau bureți de sârmă pentru vase.

### **ELIMINAREA AMBALAJULUI**


Ambalajul este reciclabil în proporție de 100% și este marcat cu simbolul reciclării .

Prin urmare, diferitele părți ale ambalajului nu trebuie aruncate la întâmplare, ci trebuie eliminate în conformitate cu normele stabilite de autoritățile locale.

### **ELIMINAREA APARATELOR ELECTROCASNICE**

Acest aparat este fabricat cu materiale reciclabile sau reutilizabile. Eliminați-l în conformitate cu normele locale referitoare la eliminarea deșeurilor. Pentru informații suplimentare referitoare la tratarea, valorificarea și reciclarea aparatelor electrocasnice, contactați autoritățile locale competente, serviciul de colectare a deșeurilor menajere sau magazinul de unde ați achiziționat aparatul. Acest aparat este marcat în conformitate cu Directiva europeană 2012/19/UE privind deșeurile de echipamente electrice și electronice (DEEE) și cu reglementările din 2013 privind deșeurile de echipamente electrice și electronice (astfel cum au fost modificate).

Asigurându-vă că acest produs este eliminat în mod corect, contribuiți la prevenirea consecințelor negative asupra mediului înconjurător și sănătății persoanelor.

Simbolul  de pe produs sau de pe documentele care îl însoțesc indică faptul că acest aparat nu trebuie eliminat ca deșeu menajer, ci trebuie predat la un centru de colectare corespunzător, pentru reciclarea echipamentelor electrice și electronice.

### **RECOMANDĂRI PRIVIND ECONOMISIREA ENERGIEI**

Profitați din plin de căldura reziduală a plăcii fierbinți prin oprirea aparatului cu câteva minute înainte de a termina prepararea.

Baza oalei sau a cratiței trebuie să acopere placa fierbinte în întregime; un recipient care este mai mic decât placa fierbinte va duce la irosirea energiei.

Acoperiți oalele și cratițele cu capace etanșe în timpul preparării și folosiți cât mai puțină apă. Prepararea fără capac va crește foarte mult consumul de energie.

**Utilizați numai oale și cratițe cu baza plată.**

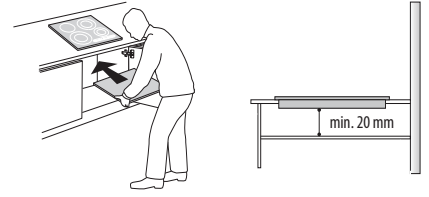
### **DECLARAȚIE DE CONFORMITATE**

Acest aparat îndeplinește Cerințele de proiectare ecologică prevăzute de Regulamentul european nr. 66/2014, precum și Regulamentele din 2019 (leșire UE) (Amendamentul) privind informațiile energetice și proiectarea ecologică aplicabilă produselor cu impact energetic, în conformitate cu Standardul european EN 60350-2.



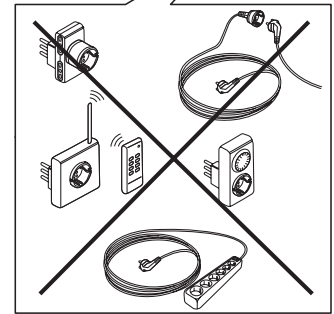
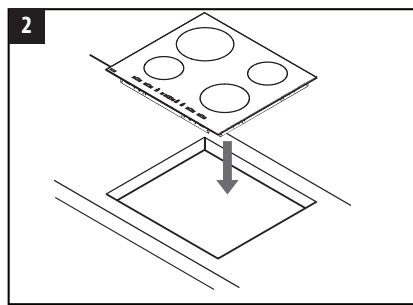
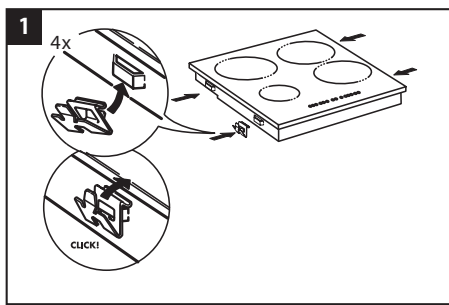
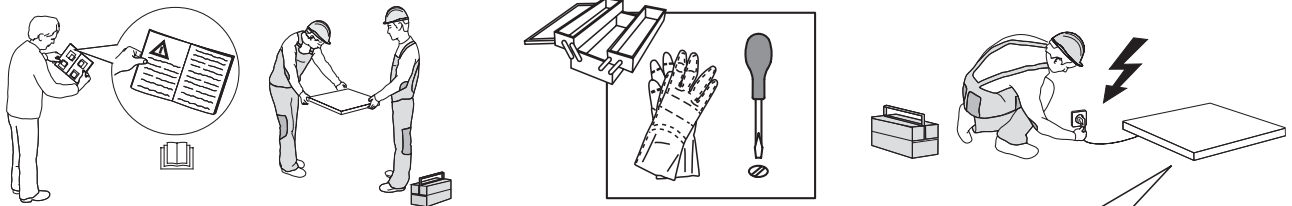
# INSTALARE

- Plita trebuie montată pe blatul de lucru la o adâncime de cel puțin 20 mm.
- Nu trebuie să existe nimic între plită și cuptor (sine transversale, console etc.).
- Asigurați-vă că cablul de alimentare este suficient de lung pentru a permite instalarea în mod convenabil.
- Distanța dintre suprafața inferioară a plitei vitroceramice și dulap sau panoul separator trebuie să fie de cel puțin 20 mm.
- Pentru dimensiunile de încorporare și instalare, consultați imaginea din acest paragraf.
- Trebuie menținută o distanță minimă între plită și hota de deasupra acesteia. Vă rugăm să consultați manualul de utilizare a hotei pentru informații suplimentare.
- Montați garnitura furnizată pentru plită (cu excepția cazului în care a fost deja montată), după ce ați curățat suprafața acesteia.
- **Nu instalați plita în apropierea unei mașini de spălat vase sau a unei mașini de spălat rufe, pentru ca circuitele electronice să nu vină în contact cu vaporii sau umiditatea și să se deterioreze.**
- Dacă este instalat un cuptor sub plită, asigurați-vă că acesta este dotat cu un sistem de răcire. Dacă temperatura circuitelor electronice depășește valoarea maximă permisă, plita se va opri automat; în acest caz, așteptați timp de câteva minute până când temperatura interioară a circuitelor electronice atinge un nivel tolerabil, moment în care va fi posibilă repornirea plitei.

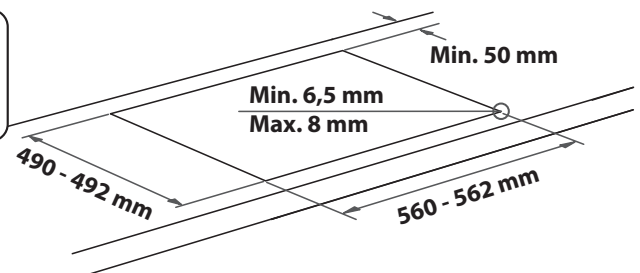
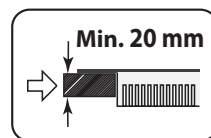
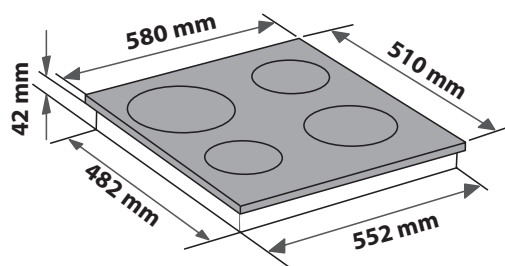
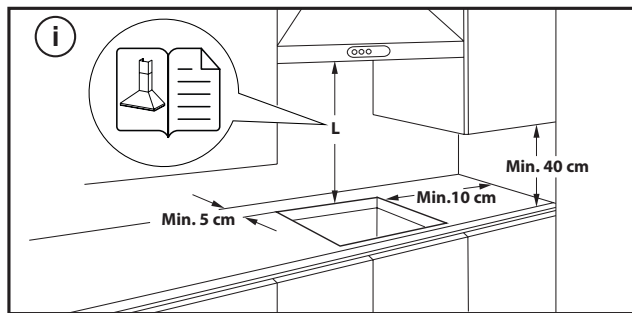


## AMPLASAREA PLITEI

După efectuarea conexiunii la rețeaua de alimentare cu energie electrică (consultați capitolul "Conectarea la rețeaua de alimentare cu energie electrică"), poziționați fiecare clemă de fixare în canalele aferente din părțile laterale ale plitei, după cum este indicat în imagine. Apoi, împingeți plita în interiorul porțiunii decupate și asigurați-vă că sticla este plană și paralelă cu blatul de lucru. Clemele de fixare sunt proiectate pentru fiecare tip de material al blaturilor de lucru (lemn, marmură etc.).



## DIMENSIUNI ȘI DISTANȚE DE RESPECTAT



## DEMONTAREA PLITEI:

Pentru a demonta plita, mai întâi deconectați-o de la rețeaua de alimentare cu energie electrică. Se recomandă cu insistență să desprindeți partea de dedesubt de cuptor, setar, separator sau altele. Acest lucru îi permite tehnicianului să acceseze partea inferioară a plitei pentru a desprinde cele patru cleme cu o șurubelniță, să ridice plita și să o demonteze, evitând deteriorarea blatului de lucru.

## CONECTAREA LA REȚEAUA DE ALIMENTARE CU ENERGIE ELECTRICĂ

Conexiunea electrică trebuie efectuată înainte de a conecta aparatul la alimentarea cu electricitate.




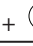
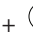
Cablul de alimentare nu este inclus în pachet - nu uitați să furnizați propriul cablu de alimentare.

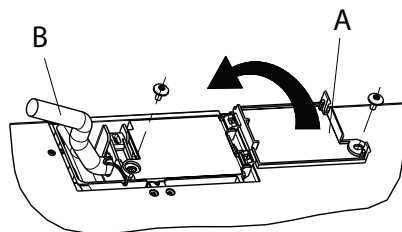
Instalarea trebuie efectuată de personal calificat care cunoaște reglementările în vigoare referitoare la instalare și siguranță. În special, instalația trebuie efectuată în conformitate cu normele companiei locale de furnizare a energiei electrice.

Asigurați-vă că tensiunea indicată pe plăcuța cu date tehnice, situată la baza aparatului, corespunde cu tensiunea din locuința unde va fi instalat aparatul. Împământarea aparatului este obligatorie prin lege: utilizați numai conductori (inclusiv conductorul pentru împământare) de dimensiuni corespunzătoare.

### CONECTAREA LA BLOCUL DE CONEXIUNI


Pentru conexiunea electrică, folosiți un cablu de tip H05RR-F sau H05V2V2-F, așa cum se indică în tabelul de mai jos.

TENSIUNE DE ALIMENTARE	CONDUCTORI NUMĂR X DIMENSIUNE
220-240V ~+ 	3 x 4 mm <sup>2</sup>
230-240V ~+ 	3 x 4 mm <sup>2</sup> (numai Australia)
220-240V 3~+ 	4 x 1,5 mm <sup>2</sup>
380-415V 3N~+ 	5 x 1,5 mm <sup>2</sup>
380-425V 2N~+ 	4 x 1,5 mm <sup>2</sup>



**Aparatul trebuie conectat la sursa de alimentare cu energie prin intermediul unui întrerupător multipolar cu o distanță de minim 3 mm între contacte.**

**ATENȚIE:** cablul de alimentare trebuie să fie suficient de lung pentru a permite scoaterea plitei din blatul de lucru și trebuie poziționat astfel încât să se evite deteriorarea sau supraîncălzirea cauzată de contactul cu baza aparatului.

**NOTĂ:** firul galben/verde de împământare trebuie conectat la borna marcată cu simbolul  și trebuie să fie mai lung decât celelalte fire.

- Îndepărtați aproximativ 70 mm din învelișul cablului de alimentare (B).
- Înlăturați aproximativ 10 mm din învelișul firelor. Apoi, introduceți cablul de alimentare în clema de cablu și conectați firele la blocul de conexiuni, așa cum se indică în diagrama de conexiuni amplasată lângă blocul de conexiuni.
- Fixați cablul de alimentare (B) cu ajutorul clemei de cablu.
- Închideți blocul de conexiuni folosind capacul (A) și fixați-l cu șurubul din dotare.
- După ce ați executat conexiunea electrică, montați plita din partea de sus și fixați-o de arcurile de susținere, așa cum se indică în figură.



**VĂ MULȚUMIM CĂ AȚI ACHIZIȚIONAT UN PRODUS WHIRLPOOL**  
Pentru a beneficia de servicii complete de asistență, vă rugăm să vă înregistrați produsul pe [www.hotpoint.eu/register](http://www.hotpoint.eu/register).

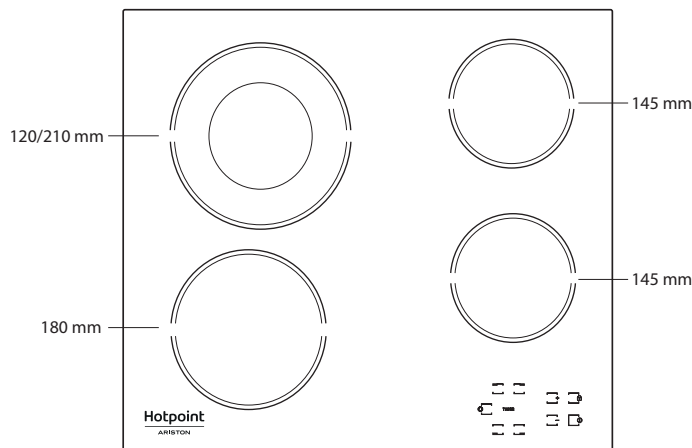


**Înainte de a utiliza aparatul, citiți cu atenție instrucțiunile privind siguranța.**

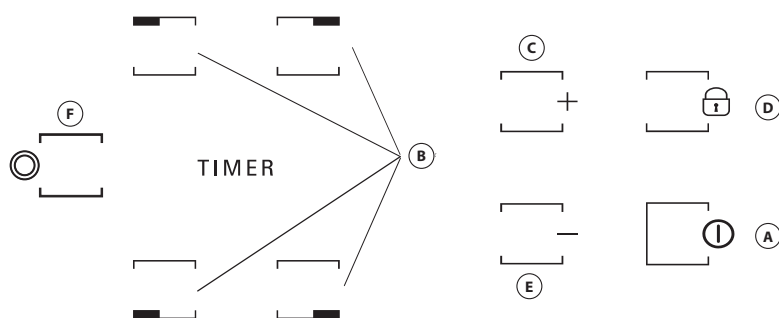
**SCANAȚI CODUL QR DE PE APARATUL DUMNEAVOASTRĂ PENTRU A OBTINE MAI MULTE INFORMAȚII**



## DESCRIEREA PRODUSULUI



## PANOUL DE COMANDĂ



- A** Pornit/Oprit
- B** Selectarea zonei de gătit și a timerului
- C-E** Mărirea și reducerea nivelului de putere
- D** Blocarea a tastelor
- F** Activarea/dezactivarea zonei multiple

## PRIMA UTILIZARE

La prima instalare, panoul de comandă efectuează o verificare funcțională de circa 1 secundă, apoi comută automat la funcția "Blocarea a tastelor".

Pentru a dezactiva funcția, apăsați și țineți apăsat butonul "D"; se va auzi un semnal acustic și led-ul corespunzător se va stinge.

**NOTĂ:** În cazul resetării aparatului, repetați procedura descrisă mai sus.

## UTILIZAREA ZILNICĂ



### ACTIVAREA/DEZACTIVAREA PLITEI

Pentru a porni plita, țineți apăsat butonul "A" timp de aprox. 2 secunde. Cele 4 afișaje ale zonelor de gătit indică "0". Dacă nu se activează nicio zonă de gătit în decursul a 20 de secunde, plita se oprește automat din motive de siguranță.

### ACTIVAREA ȘI REGLAREA ZONELOR DE GĂTIT

Apăsați pe unul dintre butoanele "B" care corespunde zonei de gătit pe care doriți să o folosiți. Selectați nivelul de putere dorit cu ajutorul butoanelor "E" sau "C". Nivelurile de putere care pot selectate se încadrează între 1 și 9. Apăsați simultan pe butoanele "+/-" pentru a anula toate setările.

**IMPORTANT:** butonul se dezactivează la 10 secunde după ce s-a selectat nivelul de putere dorit.

Pentru a modifica nivelul de putere, mai întâi apăsați din nou pe butonul de selectare "B" apoi puteți să modificați setarea cu ajutorul butoanelor "E" sau "C".



### ZONA MULTIPLĂ

După ce ați selectat zona dorită și ați setat nivelul de putere (conform descrierii din secțiunea anterioară), apăsați pe "F": un indicator se aprinde deasupra butonului, semnaland activarea zonei suplimentare. Zona multiplă se poate utiliza doar dacă:

- Zona de gătit este prevăzută cu zonă multiplă;
  - Nivelul de putere selectat este mai mare decât 0.
- Pentru a dezactiva zona multiplă, apăsați pe butonul "B" corespunzător zonei dorite, apoi apăsați din nou pe "F".

### TIMER

Pentru a seta funcția Timer, selectați zona de gătit dorită și nivelul de putere, apoi apăsați din nou pe butonul corespunzător zonei de gătit; pe afișaj ul zonei de gătit controlate de timer se aprinde un indicator. Indicația "00" clipește pe cele 2 afișaje. Apăsați pe butoanele "E" sau "C" pentru a seta timpul de la 1 la 99.

**IMPORTANT:** după 10 secunde, pe afișajele timerului apare nivelul de putere al celorlalte zone de gătit.

Pentru a vedea timpul de gătit rămas, apăsați de două ori pe butonul corespunzător zonei controlate de timer.

## FUNCȚIA A

Această funcție permite reducerea automată a nivelului de putere a zonei de gătit de la cea mai mare valoare (nivelul 9) la una selectată de utilizator pentru o etapă de preparare ulterioară.

Pentru a activa această funcție, apăsați mai întâi butonul "+" atunci când este atins nivelul 9.

Pe afișaj apare litera "A", iar cifra "9" clipește alternativ cu luminozitate redusă.

În acest moment, alegeți nivelul de putere dorit (sub 9) folosind butonul "-".

Litera "A" și nivelul selectat clipesc alternativ cu luminozitate redusă pe afișaj.

Funcția este activată odată ce litera "A" și nivelul selectat clipesc alternativ cu luminozitate ridicată pe afișaj.

Odată ce litera "A" nu mai este vizibilă pe afișaj (funcția "A" se dezactivează automat după câteva minute, în funcție de nivelul de putere setat), procesul de preparare continuă cu un nivel de putere redus, iar pe afișaj apare doar nivelul de putere selectat.

**N.B.:** această funcție nu poate fi rulată la nivelul 9.



## BLOCAREA A TASTELOR

Funcția Blocare a tastelor se activează ținând apăsat butonul "D" până când deasupra butonului asociat funcției se aprinde un indicator. Panoul de comandă este blocat, cu excepția funcției de oprire. Funcția rămâne activată chiar și după oprirea și repornirea plitei și poate fi dezactivată apăsând din nou pe butonul "D" până când indicatorul de deasupra butonului asociat funcției se stinge.

Atunci când plita este oprită, iar funcția de blocare a tastelor este activată pentru a se putea porni plita, mai întâi dezactivați funcția de blocare a tastelor apăsând din nou butonul "D" până când punctul de deasupra butonului de funcție se stinge.

Prezența apei, scurgerile de lichide din vasele de gătit sau obiectele așezate pe comenzi pot activa sau dezactiva în mod accidental funcția de blocare a tastelor.



## INDICATORUL DE CĂLDURĂ REZIDUALĂ

După oprirea zonei de gătit, indicatorul de căldură reziduală "H" rămâne aprins sau clipește alternând cu "0", până când temperatura plitei revine la nivelul de siguranță.

**IMPORTANT:** Caracteristicile de siguranță ale plitei includ o funcție de oprire automată. Folosirea îndelungată a aceluiași nivel de putere determină dezactivarea automată a zonei de gătit (de exemplu, după circa 1 oră la nivelul de putere maxim, zona de gătit se dezactivează).

**IMPORTANT:** Pentru a evita deteriorarea permanentă a plitei:

- nu utilizați vase a căror parte inferioară nu este plată;
- nu utilizați vase metalice cu partea inferioară emailată;
- nu așezați oale/crațițe fierbinți pe panoul de comandă.

De asemenea, plita este dotată cu funcția de "oprire automată" care oprește zona de gătit în cazul în care nu se fac modificări asupra nivelului de putere după o anumită perioadă de timp, în funcție de setarea puterii. În tabel, sunt indicate duratele de timp pentru fiecare nivel de putere.

NIVEL DE PUTERE	DURATĂ OPRIRE AUTOMATĂ
0	30 de secunde
1	10 ore
2	5 ore
3	5 ore
4	4 ore
5	3 ore
6	2 ore
7	2 ore
8	2 ore
9	1 oră

## TABELUL DE GĂTIRE

NIVEL DE PUTERE		TIP DE PREPARARE	UTILIZAREA NIVELULUI (indică experiența și obiceiurile dumneavoastră culinare)
Putere maximă	9	Fierbere	Ideal pentru creșterea rapidă a temperaturii alimentelor în scopul fierberii rapide a apei sau pentru încălzirea rapidă a lichidelor pentru gătit.
	9-8	Prăjire	Ideal pentru rumenire, începerea preparării alimentelor, prăjirea produselor congelate, fierbere rapidă.
Putere ridicată	8-7	Rumenire - menținere punct de fierbere - frigere la grătar	Ideal pentru rumenire, menținerea unui punct de fierbere la temperatură ridicată, prepararea alimentelor și frigere la grătar (durată scurtă, 5-10 minute).
	7-6	Prăjire - preparare - frigere la grill	Ideal pentru menținerea unui punct de fierbere la temperatură scăzută, prepararea alimentelor și frigere la grătar (durată medie, 10-20 de minute), preîncălzire și prăjire.
Putere medie	6-5	Prăjire delicată	Ideal pentru prăjirea ouălor, omletelor.
	5-4	Preparare - fierbere la foc mic - fierbere înăbușită	Ideal pentru o perioadă de preparare mai îndelungată (orez, sosuri, fripturi, pește) cu lichide (de exemplu, apă, vin, bulion, lapte), obținerea unei texturi cremoase a pastelor.
	4-3	Îngroșare - obținerea unei texturi cremoase a pastelor	
Putere scăzută	2-1	Menținerea alimentelor calde - obținerea unei texturi cremoase a rizotoului	Ideal pentru menținerea la cald a alimentelor preparate recent (de exemplu, sosuri, supe, minestrone), obținerea unei texturi cremoase a rizotoului și menținerea la cald a farfuriilor.
Putere minimă	1	Decongelare	Ideal pentru a decongela produse de mici dimensiuni și pentru a topi delicat ciocolata sau untul.
Putere zero	0	—	Plită în modul Standby sau Oprit (este posibil să existe căldură reziduală la finalizarea etapei de preparare, semnalată prin afișarea literei "H").

### ⚠ Deconectați aparatul de la rețeaua electrică.

- Nu utilizați aparate de curățat cu aburi.
- Nu utilizați bureți abrazivi sau din sârmă deoarece aceștia pot deteriora suprafața din sticlă.
- După fiecare utilizare, curățați plita (după ce s-a răcit) pentru a elimina depunerile și petele cauzate de resturile de mâncare.

- Zahărul și alimentele cu un conținut ridicat de zaharuri deteriorează plita și trebuie să fie îndepărtate imediat.
- Sarea, zahărul și nisipul pot zgâria suprafața de sticlă.
- Folosiți o lavetă moale, hârtie absorbantă pentru bucătărie sau produse speciale pentru curățarea plitei (respectați instrucțiunile producătorului).
- Pătrunderea lichidului în zonele de gătit poate provoca deplasarea sau vibrarea vaselor de gătit.
- Uscați temeinic plita după ce o curățați.

## REMEDIEREA DEFECȚIUNILOR

Dacă plita nu funcționează corect, înainte de a apela la Serviciul de asistență tehnică, consultați Ghidul de remediere a defecțiunilor pentru a stabili care este problema.

- Citiți și respectați instrucțiunile din secțiunea "Utilizarea zilnică".
- Controlați să nu fie întreruptă alimentarea cu electricitate.
- Uscați bine plita după curățarea acesteia.
- Dacă a fost selectată o zonă de gătit și "F" sau "ER" apare pe afișaj urmat de un număr, contactați serviciul de asistență tehnică post-vânzare și oferiți informații în acest sens.
- În cazul în care codul de eroare este "F03", "ER03" sau "E02", încercați să-l remediați urmând aceste instrucțiuni:
  - Dacă apare eroarea "E02", vă rugăm să vă asigurați că nu ați apăsat butoanele mai mult de 5 secunde, că nu se află niciun obiect în zona HMI și că aceasta este curată și uscată - atunci când curățați, vă rugăm să respectați paragraful Curățarea și întreținerea.
  - Dacă apare eroarea "F03", încercați să opriți și să reporniți plita.
  - Dacă apare eroarea "F04", contactați serviciul de asistență tehnică post-vânzare și comunicați-le codul afișat.

- Dacă suprafața de gătit nu funcționează după o utilizare intensivă, temperatura internă a suprafeței de lucru este prea ridicată. Așteptați câteva minute până când suprafața de gătit se răcește.
- Dacă încălzitorul nu este menținut pornit în continuu, ci este pornit și oprit în mod ciclic deși nivelul de putere de pe afișaj nu se schimbă, aceasta face parte din funcționarea normală a plitei. Ciclul de pornire/oprire permite reglarea puterii încălzitorului, lucru care este absolut normal. În anumite cazuri, protecția termică poate opri încălzitorul o perioadă de timp pentru a preveni deteriorarea sticlei. Exemple de astfel de cazuri sunt: prepararea unui aliment pentru un timp îndelungat la un nivel de putere ridicat, utilizarea unor vase de gătit mai mici decât rezistența și a unor vaselor de gătit a căror bază nu este plată.
- Dacă plita emite un sunet scurt fără ca clientul să fi apăsat vreun buton, vă rugăm să îndepărtați scurgerile de lichide de pe HMI. Uscați HMI și continuați să folosiți plita. Dacă plita a fost oprită automat, acest lucru poate fi cauzat de prezența unui lichid pe HMI. Uscați HMI și reporniți plita.

Dacă problema persistă și după verificările de mai sus, luați legătura cu cel mai apropiat Serviciu de asistență tehnică.

## SERVICIUL DE ASISTENȚĂ TEHNICĂ POST-VÂNZARE

Pentru a beneficia de servicii complete de asistență, vă rugăm să vă înregistrați produsul pe [www.hotpoint.eu/register](http://www.hotpoint.eu/register).

### ÎNAINTE DE A CONTACTA SERVICIUL DE ASISTENȚĂ TEHNICĂ POSTVÂNZARE:

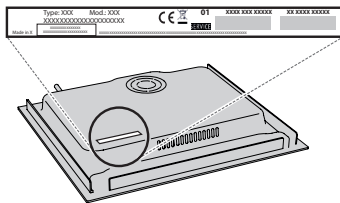
1. Încercați să rezolvați singuri problema, cu ajutorul recomandărilor din **GHIDUL DE REMEDIERE A DEFECȚIUNILOR**.
2. Opriți și puneți din nou în funcțiune aparatul pentru a verifica dacă defecțiunea persistă.

### DACĂ PROBLEMA PERSISTĂ CHIAR ȘI DUPĂ CONTROALELE MENȚIONATE, CONTACTAȚI CEL MAI APROPIAT SERVICIU DE ASISTENȚĂ TEHNICĂ POST-VÂNZARE.

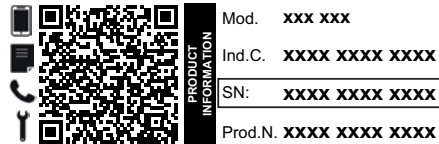
Pentru asistență, sunați la numărul de telefon specificat pe certificatul de garanție sau urmați instrucțiunile de pe site-ul web [www.hotpoint.eu](http://www.hotpoint.eu).

Atunci când contactați serviciul de asistență tehnică post-vânzare, specificați întotdeauna:

- o scurtă descriere a defecțiunii;
- tipul și modelul exact al aparatului;



- numărul de serie (numărul de după cuvântul SN de pe plăcuța cu date tehnice, amplasată sub aparat). De asemenea, numărul de serie este indicat în documentație;



- adresa dumneavoastră completă;
- numărul dumneavoastră de telefon

Dacă sunt necesare orice fel de reparații, vă rugăm să contactați un serviciu de asistență tehnică post-vânzare autorizat (pentru a avea garanția că se folosesc piese de schimb originale și că reparațiile vor fi executate corect).

### Politice, documentația standard și informații suplimentare despre produs pot fi găsite:

- Utilizând codul QR de pe aparat;
- Vizitând site-ul nostru web [docs.hotpoint.eu](http://docs.hotpoint.eu);
- Ca alternativă, **contactați serviciul nostru de asistență tehnică post-vânzare** (Consultați numărul de telefon din certificatul de garanție). Când contactați serviciul nostru de asistență tehnică post-vânzare, vă rugăm să precizați codurile specificate pe plăcuța cu date de identificare a produsului dumneavoastră.



## ИНСТРУКЦИИ ЗА БЕЗОПАСНОСТ

Изтеглете пълното ръководство с инструкции от <http://docs.hotpoint.eu> или се обадете на номера, посочен на книжката за гаранцията.

Преди използването на уреда прочетете внимателно тези указания за безопасност. Дръжте ги на удобно място за бъдещи справки.

В тези указания и на самия уред са представени важни предупреждения за безопасността, които трябва да се прочетат и да се съблюдават винаги. Производителят отказва всякаква отговорност при неспазване на тези указания за безопасността, във връзка с неподходяща употреба на уреда или неправилна настройка на органите за управление.

**⚠ ПРЕДУПРЕЖДЕНИЕ:** Ако повърхността на плочата за готвене е напукана, не използвайте уреда - опасност от електрически удар.

**⚠ ПРЕДУПРЕЖДЕНИЕ:** Опасност от пожар: не поставяйте предмети по готварските повърхности.

**⚠ ВНИМАНИЕ:** Процесът на готвене трябва да се наблюдава. Краткотрайните процеси на готвене трябва да се наблюдават постоянно.

**⚠ ПРЕДУПРЕЖДЕНИЕ:** Готвенето на плочата на храни с мазнина или олио без наблюдение може да се окаже опасно и да доведе до пожар. НИКОГА не опитвайте да потушите пламъците с вода: вместо това изключете уреда и покрийте пламъка с капак или огнеупорно одеяло.

**⚠** Не използвайте плочата като работен плот или поставка. Пазете дрехите и други запалими материали далеч от уреда, докато всички негови компоненти изстинат напълно - опасност от пожар.

**⚠** Много малки деца (0-3 год.) трябва да стоят далеч от уреда. Малки деца (3-8 год.) трябва да стоят далеч от уреда, освен ако не са под постоянно наблюдение. Този уред може да се използва от деца на 8 години и по-големи, както и от лица с ограничени физически, сетивни или умствени възможности или с недостатъчен опит и познания само ако са под надзор или са им дадени инструкции за употребата на уреда побезопасенначиниразбиратвъзможнитеопасности. Децата не трябва да си играят с уреда. Почистването и поддръжката от потребителя не трябва да се извършва от деца без надзор.

**⚠ ПРЕДУПРЕЖДЕНИЕ:** Уредът и откритите му части се нагорещават по време на работа. Внимавайте да не докосвате нагревателните елементи. Децата под 8-годишна възраст трябва да се пазят далеч от уреда, ако не се наблюдават непрекъснато.

### ПОЗВОЛЕНА УПОТРЕБА

**⚠ ВНИМАНИЕ:** уредът не е предназначен за управление с външен таймер или отделна система с дистанционно управление.

**⚠** Този уред е предназначен за употреба в домашни условия и подобни приложения, като: кухни за

служители в магазини, офиси и други работни среди; в стопанства; от клиенти в хотели, мотели и други места за настаняване.

**⚠** Не е позволено използване за никакви други цели (например за отопление на помещения).

**⚠** Този уред не е предназначен за професионална употреба. Не използвайте този уред на открито.

### МОНТИРАНЕ

**⚠** Боравенето и монтажът на уреда трябва да се извършват от две или повече лица - съществува опасност от нараняване. Използвайте предпазни ръкавици за разопаковането и монтажа на уреда - съществува опасност от порязвания.

**⚠** Монтирането, включително подаването на вода (ако е приложимо) и електрическото свързване и ремонтните дейности трябва да се извършват от квалифициран техник. Не поправяйте и не заменяйте части от уреда, ако това не е изрично посочено в ръководството за потребителя. Пазете децата далеч от мястото, където се извършва монтажът. След като разопаковате уреда, проверете дали не е повреден по време на транспортирането. В случай на проблеми се обърнете към търговеца, от който сте закупили уреда, или към най-близкия сервиз за следпродажбено обслужване. След монтажа всички отпадъци от опаковките (пластмаса, стиропор и др.) трябва да се съхраняват далеч от обсега на деца - съществува опасност от задушаване. Уредът трябва да бъде изключен от захранването преди монтажа - опасност от електрически удар. По време на монтажа внимавайте уредът да не повреди захранващия кабел - опасност от електрически удар. Активирайте уреда едва след завършване на монтажа.


**⚠** Извършете всички работи по изрязването на шкафа, преди да поставите фурната в нишата, и след товаотстранетевсичкидървениотломкиистърготини.


**⚠** Ако уредът не е монтиран над фурна, трябва да се постави разделителен панел (не е включен) в нишата под уреда.

### ПРЕДУПРЕЖДЕНИЯ ОТНОСНО ЕЛЕКТРОЗАХРАНВАНЕТО


**⚠** Трябва да е възможно уредът да се изключи от захранването чрез изваждане на щепсела, ако е достъпен, или чрез достъпен многополюсен превключвател, монтиран след контакта, както и уредът да е заземен в съответствие с националните стандарти за електрическа безопасност.


**⚠** Не използвайте удължители, разклонители с няколко гнезда или адаптери. След инсталирането електрическите компоненти трябва да бъдат достъпни за потребителя. Не използвайте уреда, когато сте с мокри или боси крака. Не използвайте този уред, ако захранващият му кабел или щепсел е повреден, ако не работи правилно или ако е бил повреден или е паднал.

 Инсталирането с използване на захранващ кабел с щепсел не се разрешава, освен ако уредът оригинално не е вече оборудван с такъв от производителя.


 Ако захранващият кабел е повреден, той трябва да се смени от производителя, негов сервизен агент или лице с аналогична квалификация, за да се избегне опасна ситуация, например електрически удар.

### **ПОЧИСТВАНЕ И ПОДДРЪЖКА**

 **ПРЕДУПРЕЖДЕНИЕ:** Преди извършване на каквато и да било дейност по поддръжката на уреда, се уверете, че той е изключен и не е свързан към захранването; никога не използвайте уреди за почистване с пара - опасност от електрически удар.

 Не използвайте абразивни или корозивни препарати, препарати на хлорна основа или стоманена вълна.

### **ИЗХВЪРЛЯНЕ НА ОПАКОВЪЧНИТЕ МАТЕРИАЛИ**



Опаковъчният материал е 100% годен за рециклиране и е маркиран със символа за рециклиране .

Различните опаковъчни материали трябва да бъдат изхвърлени отговорно и в съответствие с наредбите на местните органи за изхвърляне на отпадъци.

### **ИЗХВЪРЛЯНЕ НА ЕЛЕКТРОУРЕДИ**

Този уред е произведен с материали, годни за рециклиране или за повторно използване. При изхвърлянето му спазвайте местните разпоредби за изхвърляне на отпадъци. За допълнително информация относно третирането, оползотворяването и рециклирането на домакински електроуреди се обърнете към компетентните местни органи, службата за битови отпадъци или магазина, откъдето сте закупили уреда. Този уред е маркиран в съответствие с Европейска директива 2012/19/ЕС, Отпадъчно електрическо и електронно оборудване (WEEE) и с правилата за отпадъчно електрическо и електронно оборудване от 2013 г. (с измененията).

Като се погрижите продуктът да бъде изхвърлен по правилен начин, Вие ще помогнете за предотвратяване на възможните негативни последици за околната среда и здравето на хората.

 Символът  върху уреда или придружаващата го документация показва, че този уред не трябва да се третира като битов отпадък, а да бъде предаден в съответния събирателен пункт, предназначен за рециклиране на електрическа и електронна апаратура.

### **СЪВЕТИ ЗА ИКОНОМИЯ НА ЕНЕРГИЯ**

Възползвайте се максимално от остатъчната топлина на котлона, като я изключите няколко минути, преди да сте завършили готвенето.

Основата на Вашата тенджера или тиган трябва изцяло да покрива котлона; използването на съд, чиято площ е по-малка от тази на котлона, ще доведе до загуба на енергия.

По време на готвене покривайте тенджерите и тиганите с подходящи капаци и използвайте възможно най-малко вода. Готвенето без капак ще увеличи значително потреблението на енергия.

**Използвайте само тенджери и тигани с плоско дъно.**

### **ДЕКЛАРАЦИЯ ЗА СЪОТВЕТСТВИЕ**

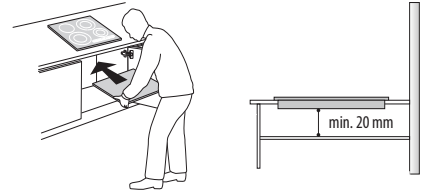
Този уред отговаря на изискванията за екодизайн на Европейски регламент 66/2014 и Регламенти за екодизайн за енергийни продукти и енергийна информация (изменение) (ЕС изход) 2019, в съответствие с Европейски стандарт EN 60350-2.





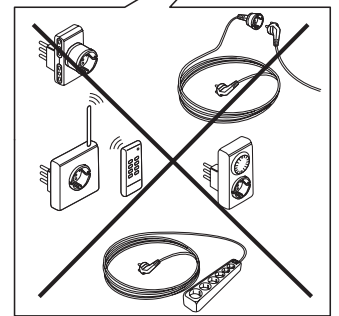
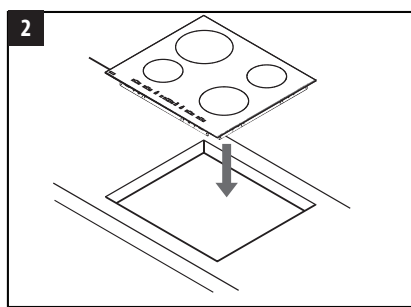
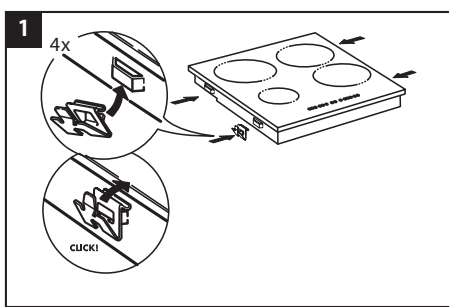
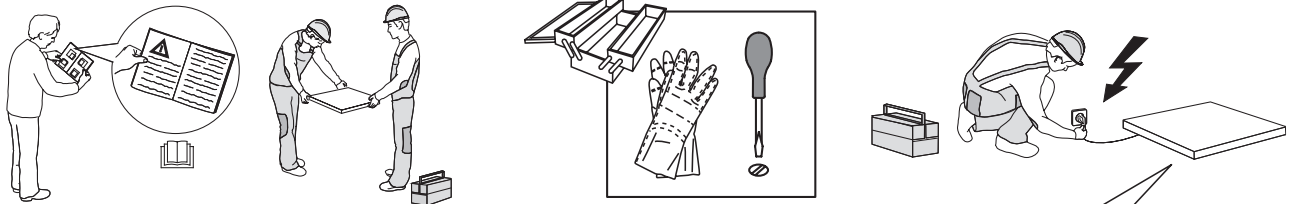
# МОНТИРАНЕ

- Плотът за готвене трябва да бъде поставен в работен плот с дебелина най-малко 20 мм.
- В пространството между плота и кухнята не трябва да има нищо (напречни релси, носачи и др.).
- Уверете се, че захранващият кабел е достатъчно дълъг, за да позволи удобно инсталиране.
- Разстоянието между долната повърхност на стъклокерамичния плот и шкафа или разделящата плоскост трябва да бъде поне 20 мм.
- За размерите и монтажа на уреда за вграждане вижте изображението в този раздел.
- Между готварския плот и аспиратора над него трябва да се поддържа минимално разстояние. За допълнителна информация вижте ръководството за потребителя на аспиратора.
- След като сте почистили повърхността на плота, поставете доставения в комплекта уплътнител (освен ако той вече не е бил поставен).
- **Не монтирайте плот за готвене над съдомиялна или перална машина така, че електронните вериги да не влизат в контакт с пара или влага, които могат да ги повредят.**
- Ако фурна бъде монтирана под готварски плот, се уверете, че тя разполага със система за охлаждане. Ако температурата на електронните вериги превиши максимално допустимата температура, готварският плот ще се изключи автоматично; в този случай изчакайте няколко минути, докато вътрешната температура на електронните вериги достигне нормално ниво, като в този момент ще бъде възможно отново да включите плота.

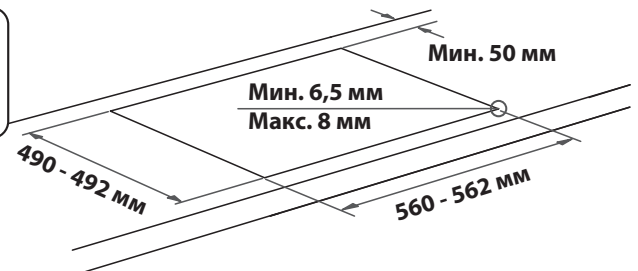
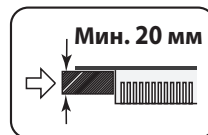
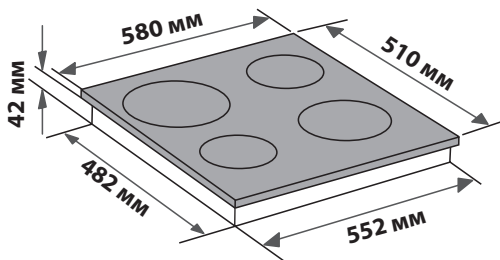
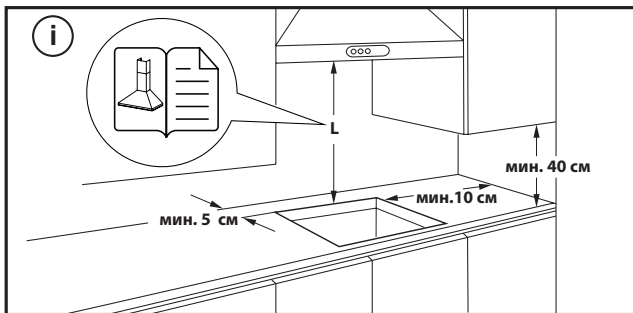


## ПОСТАВЯНЕ НА ПЛОТА

След извършване на електрическите връзки (вижте глава "Свързване към електрическата мрежа"), поставете всяка от захващащите скоби на съответните места от страни на плота, както е показано на изображението. След това вкарайте плота на мястото му и се уверете, че стъклото е плоско и успоредно спрямо кухненския плот. Захващащите скоби са подходящи за всеки вид материал за кухненски плотове (дърво, мрамор и др.).



## РАЗМЕРИ И РАЗСТОЯНИЯ, КОИТО ДА СЕ ПОДДЪРЖАТ



## СВАЛЯНЕ НА КОТЛОНА (ПЛОТА):

За да свалите котлона, първо го изключете от електрическото захранване. Настоятелно се препоръчва да освободите долната част от фурната, чекмеджето, сепаратора или други части. Тя позволява на техника достъп до долната част на котлона, за да разкопчае четирите скоби с отвертка, да повдигне котлона и да го свали, без да го повреди.

## СВЪРЗВАНЕ КЪМ ЕЛЕКТРИЧЕСКАТА МРЕЖА

Електрическите свързвания трябва да се извършат преди свързването на уреда към електрическата мрежа.

Захранващият кабел не е включен в пакета - не забравяйте да подготвите свой собствен захранващ кабел.

Монтирането трябва да се извърши от квалифициран персонал, запознат с текущите нормативни разпоредби относно безопасността и монтирането. Особено важно е монтажът да се извърши в съответствие с наредбите на местната електроснабдителна компания.

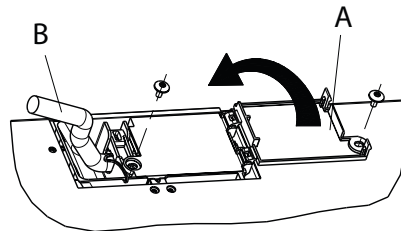
Уверете се, че напрежението, указано на табелката с номиналните данни, намираща се в долната част на уреда, е същото като това в дома Ви.

Заземяването на уреда е задължително по закон: използвайте проводници (включително заземяващия проводник) само с подходящ размер.

### СВЪРЗВАНЕ КЪМ КЛЕМНИЯ БЛОК

За свързване към електрическата мрежа използвайте кабел тип H05RR-F или H05V2V2-F, както е посочено в таблицата по-долу.

ЗАХРАНВАЩО НАПРЕЖЕНИЕ	ПРОВОДНИЦИ БРОЙ x РАЗМЕР
220-240V ~+ ⊕	3 x 4 мм <sup>2</sup>
230-240V ~+ ⊕	3 x 4 мм <sup>2</sup> (само за Австралия)
220-240V 3~+ ⊕	4 x 1,5 мм <sup>2</sup>
380-415V 3N~+ ⊕	5 x 1,5 мм <sup>2</sup>
380-425V 2N~+ ⊕	4 x 1,5 мм <sup>2</sup>



Свържете уреда към електрозахранването посредством прекъсвач за всички полюси с минимална междина на контактите 3 mm.

**ВНИМАНИЕ:** захранващият кабел трябва да бъде достатъчно дълъг, за да може готварският плот да се извади от кухненския плот, и трябва да се постави така, че да се избегне повреждането или нагряването му при влизане в контакт с основата.

**ЗАБЕЛЕЖКА:** жълтият/зеленият заземяващ проводник трябва да бъде свързан към клемата със символ ⊕ и трябва да бъде по-дълъг от останалите проводници.

- Отстранете около 70 mm от обвивката на захранващия кабел (B).
- Отстранете около 10 mm от обвивката от проводниците. Вкарайте захранващия кабел в кабелната скоба и свържете проводниците към клемното табло, както е показано на схемата до самото клемно табло.
- Обезопасете захранващия кабел (B) със скобата за кабела.
- Затворете капака на клемното табло (A) и го обезопасете с предоставения винт.
- След извършване на електрическите връзки поставете плота за готвене отгоре и го окачете на опорните пружини, както е показано на илюстрацията.



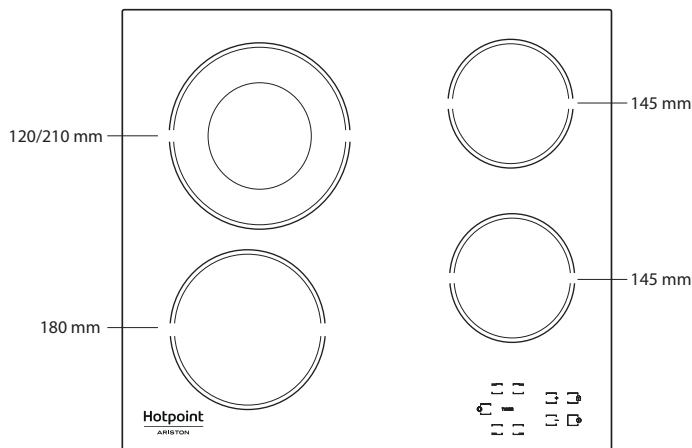
**БЛАГОДАРИМ ВИ, ЧЕ ЗАКУПИХТЕ ПРОДУКТ НА WHIRLPOOL**  
За да получавате по-пълно съдействие, моля, регистрирайте  
вашия продукт на [www.hotpoint.eu/register](http://www.hotpoint.eu/register).

**МОЛЯ, СКАНИРАЙТЕ QR КОДА НА  
ВАШИЯ УРЕД, ЗА ДА ПОЛУЧИТЕ  
ПОВЕЧЕ ИНФОРМАЦИЯ**

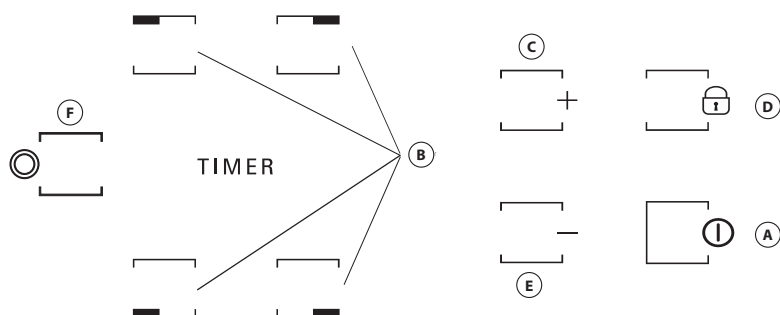


**Преди да използвате уреда, прочетете внимателно  
инструкциите за безопасност.**

## ОПИСАНИЕ НА ИЗДЕЛИЕТО



## ПАНЕЛ ЗА УПРАВЛЕНИЕ



- A** Включване/изключване
- B** Избор на зони за готвене и таймер
- C-E** Увеличаване и намаляване нивото на мощността
- D** Заклучване на бутоните
- F** Избор/Отмяна на избор на мулти зона

## ИЗПОЛЗВАНЕ ЗА ПРЪВ ПЪТ

При монтиране за първи път контролният панел извършва функционален тест за около 1 секунда, след който автоматично се включва функцията "Заклучване на бутоните".

За да деактивирате функцията, натиснете и задръжте бутона "D"; ще

прозвучи звуков сигнал и съответната светодиодна лампичка ще се изключи.

**ЗАБЕЛЕЖКА:** В случай на пренастройване повторете процедурата, описана по-горе.

## ВСЕКИДНЕВНА УПОТРЕБА



### ВКЛЮЧВАНЕ/ИЗКЛЮЧВАНЕ НА ПЛОЧАТА ЗА ГОТВЕНЕ

За да включите плочата за готвене, задръжте натиснат бутона "A" за около 2 секунди. На дисплеите на 4-те зони за готвене се показва "0". Ако в рамките на 20 секунди не се активира никоя от зоните за готвене, плочата за готвене се изключва автоматично като предпазна мярка.

### АКТИВИРАНЕ И РЕГУЛИРАНЕ НА ЗОНИТЕ НА ГОТВЕНЕ

Натиснете един от бутоните "B", съответстващ на зоната за готвене, която възнамерявате да използвате. Изберете необходимата настройка на топлината с бутоните "E" или "C". Другите избираеми настройки за готвене са в диапазона от 1 до 9. Натиснете едновременно бутоните "+/-" за отмяна на всички настройки.

**ВАЖНО:** контролата се деактивира 10 секунди след избиране на настройката за топлината.

За да промените настройката за топлината, първо натиснете отново бутона за избиране "B", след което продължете с промяната на настройката, като използвате бутоните "E" или "C".



### МНОЖЕСТВЕНА ЗОНА

След като изберете необходимата зона и зададете нивото (както е описано в предходния раздел), натиснете "F": индикатор над бутона се включва, активирайки допълнителната зона.

Множествената зона може да се използва само ако:

- Зоната за готвене разполага с множествена зона;
- Избраното ниво на мощност е по-голямо от 0.

За да деактивирате множествената зона, натиснете бутона "B" на избраната зона, след което натиснете отново "F".

## ТАЙМЕР

За да зададете функцията за таймера, изберете необходимата зона за готвене и настройката на мощността, след което натиснете отново бутона на зоната за готвене и на дисплея на контролираната с таймера зона ще се покаже светеща точка. На 2-та дисплея премигва "00". Натиснете бутоните "С" или "Е", за да зададете времето от 1 до 99.

**ВАЖНО:** след 10 секунди на дисплея на таймера ще се покаже настройката на мощността на другите зони за готвене.

За да видите оставащото време на готвене, натиснете двукратно бутона на контролираната с таймера зона за готвене.

## ФУНКЦИЯ "А"

Тази функция позволява автоматично намаляване на нивото на мощност на зоната за готвене от най-високата стойност (ниво 9) до избраната от потребителя за по-късен етап на готвене.

За да активирате тази функция, първо натиснете бутона "+", когато достигнете ниво 9.

Дисплеят показва "А" и "9" мига последователно с ниска яркост.

В този момент изберете желаното ниво на мощност (по-малко от 9) с бутона "-". "А" и избраното ниво мигат последователно с ниска яркост на дисплея.

Функцията се активира, след като "А" и избраното ниво започнат да мигат последователно с висока яркост на дисплея.

След като "А" вече не се вижда на дисплея (функцията "А" се изключва автоматично след няколко минути в зависимост от зададеното ниво на мощност), процесът на готвене продължава с по-ниска мощност и дисплеят показва само избраното ниво на мощност.

**ВНИМАНИЕ:** тази функция не е възможна при ниво 9.



## ЗАКЛЮЧВАНЕ НА БУТОНИТЕ

Функцията Закл. на бутоните се включва чрез натискане и задържане на бутона "D", докато над бутона на функцията светне точка. Панелът за управление е заключен, с изключение на функцията за изключване. Функцията остава включена дори след изключване и повторно включване на плочата за готвене и може да се деактивира, като се натисне отново бутонът "D", докато точката над бутона на функцията изгасне.

Когато плочът е изключен с активирани бутоните, за да включите плочата, първо деактивирайте функцията за заключване на бутоните, като натиснете отново бутон "D", докато изгасне точката над функционалния бутон.

Наличието на вода, течност, разлята от тенджери или други предмети, които лежат върху органите за управление, може случайно да активира или дезактивира заключването на бутоните.

## ТАБЛИЦА ЗА ГОТВЕНЕ

НИВО НА МОЩНОСТТА		ВИД ГОТВЕНЕ	НИВО НА ИЗПОЛЗВАНЕ (индикация за подпомагане на опита и навиците при готвене)
Максимална мощност	9	Завиране	Подходящо за бързо увеличаване на температурата на храните за бързо завиране, ако се касае за вода, или бързо загряване на течности за готвене.
	9 – 8	Изсушаване	Идеално за запичане, започване на готвене, пържене на замразени продукти, бързо кипване.
Висока мощност	8 – 7	Запичане – поддържане на варенето - печене	Идеално за запичане, поддържане на високо ниво на варене, готвене и печене (кратковременно, 5-10 минути).
	7 – 6	Пържене – готвене – печене	Идеално за поддържане на ниско ниво на варене, готвене и печене (със средна продължителност, 10-20 минути), предварително загряване и пържене.
Средна мощност	6 – 5	Леко пържене	Идеално за пържене на яйца, омлети.
	5 – 4	Готвене – изсушаване – задушаване	Идеално за продължително готвене (ориз, сосове, печено, риба) с наличие на течности (напр. вода, вино, бульон, мляко), размесване на макаронени изделия.
	4 – 3	Сгъстяване - размесване на макаронени изделия	
Ниска мощност	2 – 1	Поддържане на храната гореща – размесване на ризото	Идеално за поддържане на току-що приготвена храна гореща (например сосове, супи, минестроне), размесване на ризото и поддържане на ястията за поднасяне топли.
Минимална мощност	1	Размразяване	Идеално за размразяване на продукти с малки размери и леко разтопяване на шоколад или краве масло.
Мощност нула	0	–	Готварският плот е в режим на готовност или е изключен (възможно е да е горещ след готвене, за което сигнализира символът "H").



## ИНДИКАТОР ЗА ОСТАТЪЧНА ТОПЛИНА

Когато зоната за готвене се изключи, индикаторът за остатъчна топлина "H" остава включен или премигва, редувайки се с "0", докато температурата на плочата за готвене се върне в рамките на безопасните нива.

**ВАЖНО:** Характеристиките за безопасност на плочата за готвене включват функция за автоматично изключване. Продължителното използване на същата настройка за топлина задейства автоматично изключване на зоната за готвене (например след около 1 час при максималната настройка на топлината зоната за готвене се изключва).

**ВАЖНО:** За да избегнете необратими повреди на плота:

- използвайте само съдове с плоски дъна;
- не използвайте метални съдове с емайлирани дъна;
- не поставяйте горещи тенджери или тигани над контролния панел.

Котлонът е оборудван и с функцията "auto shut off" (автоматично изключване), която изключва зоната за готвене, ако не се направи промяна на нивото на мощност след определен период от време в зависимост от самата настройка на мощността. В таблицата е дадено времетраенето за всяко ниво на мощност.

НИВО НА МОЩНОСТ	ВРЕМЕ ЗА АВТОМАТИЧНО ИЗКЛЮЧВАНЕ
0	30 секунди
1	10 часа
2	5 часа
3	5 часа
4	4 часа
5	3 часа
6	2 часа
7	2 часа
8	2 часа
9	1 час

## ПОЧИСТВАНЕ И ПОДДРЪЖКА

### ⚠ Изключете уреда от електрозахранването.

- Не използвайте уреди за почистване с пара.
- Не използвайте абразивни гъби или тел, тъй като може да повредите стъклото.
- След всяко използване почиствайте готварския плот (когато изстине), за да отстраните остатъците и петната, дължащи се на останки от храни.
- Захар или храни с високо съдържание на захар могат да повредят

готварския плот и трябва да се отстраняват незабавно.

- Солта, захарта и пясъкът могат да надраскат стъклената повърхност.
- Използвайте мека кърпа, попиваща кухненска салфетка или специален почистващ препарат за готварски плотове (спазвайте инструкциите на производителя).
- При разливане на течност върху нагревателна зона съдовете може да започнат да се преместват или да вибрират.
- Подсушавайте добре повърхността на плота след почистването ѝ.

## ОТСТРАНЯВАНЕ НА НЕИЗПРАВНОСТИ

Ако готварският плот не работи като трябва, преди да повъните на отдела за следпродажбено сервизно обслужване, вижте ръководството за отстраняване на неизправности, за да установите проблема.

- Прочетете и следвайте инструкциите, дадени в раздел "Всекидневна употреба".
- Проверете дали има напрежение в електрическата мрежа.
- Подсушете ли плочата след почистването ѝ.
- Ако е избрана зона за готвене и на дисплея се появи "F" или "ER", последвано от число, се свържете със сервиза за следпродажбено обслужване и ги информирайте.
- Ако кодът за грешка е "F03", "ER03" или "E02", се опитайте да решите проблема, като използвате следните указания:
  - Ако се появи грешка "E02", моля, уверете се, че не сте натискали бутоните за повече от 5 секунди, няма предмет в областта на панела за управление и че той е чист и сух – когато почиствате, моля, следвайте указанията в параграфа за почистване и поддръжка.
  - Ако се появи грешка "F03", се опитайте да изключите и отново да включите котлона.
  - Ако се появи грешка "F04", се свържете със сервиза за следпродажбено обслужване и ги информирайте кой код се е появил на дисплея.

- Ако плочата за готвене не работи след интензивно използване, то вътрешната температура на плочата е твърде висока. Изчакайте няколко минути, докато плочата за готвене се охлади.
- Ако нагревателят не е включен непрекъснато, а се включва и изключва циклично, дори ако на дисплея нивото на мощността не се променя, това е част от нормалното функциониране на плота. Цикълът на включване/изключване позволява регулиране на мощността на нагревателя и е напълно нормален. В някои случаи термичната защита може да изключи нагревателя за известно време, за да се избегне повреждане на стъклото. Примери за такива случаи са: готвене дълго време на висока мощност, като използвате тенджери, по-малки от нагревателния елемент, както и тенджери с неплоско дъно.
- Ако плотът издава кратък звук, без клиентът да натиска бутони, моля, внимавайте за разливане на течност върху панела за управление. Моля, подсушете панела за управление и продължете използването на котлона. Ако плотът е изключен автоматично, това може да се дължи на наличие на течност в панела за управление. Моля, подсушете панела за управление и включете котлона отново.

Ако след извършване на горепосочените проверки неизправността все още продължава, свържете се с най-близкия отдел за следпродажбено обслужване.

## СЛЕДПРОДАЖБЕНО ОБСЛУЖВАНЕ

За да получавате по-пълно съдействие, регистрирайте Вашия уред на [www.hotpoint.eu/register](http://www.hotpoint.eu/register).

### ПРЕДИ ДА СЕ ОБАДИТЕ НА ОТДЕЛА ЗА СЛЕДПРОДАЖБЕНО ОБСЛУЖВАНЕ:

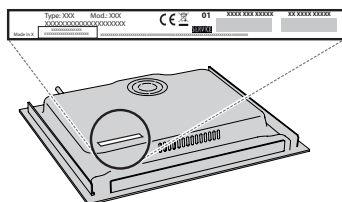
1. Проверете дали можете да отстраните сами проблема с помощта на предложенията, дадени в раздела **ОТСТРАНЯВАНЕ НА НЕИЗПРАВНОСТИ**.
2. Изключете уреда и го включете отново, за да проверите дали неизправността е отстранена.

### АКО СЛЕД ИЗВЪРШВАНЕ НА ГОРЕПОСОЧЕНИТЕ ПРОВЕРКИ НЕИЗПРАВНОСТТА ВСЕ ОЩЕ НЕ Е ОТСТРАНЕНА, СВЪРЖЕТЕ СЕ С НАЙ-БЛИЗКИЯ ОТДЕЛ ЗА СЛЕДПРОДАЖБЕНО ОБСЛУЖВАНЕ.

За да получите съдействие, се обадете на номера, написан на книжката за гаранция, или следвайте инструкциите на уебсайта [www.hotpoint.eu](http://www.hotpoint.eu).

Когато се свържете с отдела за следпродажбено обслужване, винаги посочвайте:

- кратко описание на неизправността;
- точния тип и модел на уреда;



- сериен номер (номерът след думата SN на табелката с номинални данни, разположена под уреда). Сериенният номер е посочен също и в документацията;



- Вашия пълен адрес;
- Вашия телефонен номер.

Ако се налагат някакви поправки, моля, свържете се с оторизиран отдел за следпродажбено обслужване (за да бъдете сигурни, че ще бъдат използвани оригинални резервни части и поправките ще бъдат извършени правилно).

### Фирмените политики, стандартната документация и допълнителна информация за уреда можете да намерите, като:

- Използвайте QR кода на вашето устройство;
- Посетите нашия уебсайт [docs.hotpoint.eu](http://docs.hotpoint.eu);
- Или като се свържете с отдела за следпродажбено обслужване (вижте телефонния номер в гаранционната книжка). При контакт с отдела за следпродажбено обслужване съобщавайте кодовете, посочени на идентификационната табелка на вашия уред.



## ΟΔΗΓΙΕΣ ΓΙΑ ΤΗΝ ΑΣΦΑΛΕΙΑ

## ΣΗΜΑΝΤΙΚΟ! ΔΙΑΒΑΣΤΕ ΚΑΙ ΤΗΡΕΙΤΕ

Κατεβάστε το πλήρες εγχειρίδιο οδηγιών από την ιστοσελίδα <http://docs.hotpoint.eu> ή καλέστε τον αριθμό που υπάρχει στο βιβλιαράκι εγγύησης.

Πριν χρησιμοποιήσετε τη συσκευή, διαβάστε αυτές τις οδηγίες για την ασφάλεια. Φυλάξτε τις οδηγίες σε κοντινό σημείο για μελλοντική αναφορά.

Αυτές οι οδηγίες και η συσκευή περιλαμβάνουν σημαντικές προειδοποιήσεις σχετικά με την ασφάλεια, τις οποίες πρέπει να τηρείτε σε κάθε περίπτωση. Ο κατασκευαστής δεν φέρει καμία ευθύνη για τη μη τήρηση αυτών των οδηγιών ασφαλείας, για ακατάλληλη χρήση της συσκευής ή λανθασμένη ρύθμιση των χειριστηρίων.

**⚠ ΠΡΟΕΙΔΟΠΟΙΗΣΗ:** Αν η επιφάνεια της εστίας είναι ραγισμένη, μην χρησιμοποιείτε τη συσκευή - κίνδυνος ηλεκτροπληξίας.

**⚠ ΠΡΟΕΙΔΟΠΟΙΗΣΗ:** Κίνδυνος πυρκαγιάς: μην αποθηκεύετε στοιχεία στις επιφάνειες μαγειρέματος.

**⚠ ΠΡΟΣΟΧΗ:** Η διαδικασία μαγειρέματος πρέπει να παρακολουθείται. Μια σύντομη διαδικασία μαγειρέματος πρέπει να παρακολουθείται συνεχώς.

**⚠ ΠΡΟΕΙΔΟΠΟΙΗΣΗ:** Είναι επικίνδυνο να μαγειρεύετε με λίπη ή λάδι σε εστία χωρίς επιτήρηση - κίνδυνος πυρκαγιάς. ΠΟΤΕ μην προσπαθείτε να σβήσετε τη φωτιά με νερό: αντίθετα, σβήστε τη συσκευή και στη συνέχεια καλύψτε τις φλόγες π.χ. με ένα καπάκι ή με μια πυρίμαχη κουβέρτα.

**⚠** Μην χρησιμοποιείτε τη μονάδα εστιών ως επιφάνεια εργασίας. Διατηρείται τα ρούχα ή άλλα εύφλεκτα υλικά μακριά από τη συσκευή, έως ότου όλα τα εξαρτήματα να έχουν κρυώσει εντελώς - κίνδυνος πυρκαγιάς.

**⚠** Κρατήστε τα μικρά παιδιά (0-3 ετών) μακριά από τη συσκευή. Κρατήστε τα μικρά παιδιά (3-8 ετών) μακριά από τη συσκευή εκτός εάν επιτηρούνται διαρκώς. Η συσκευή μπορεί να χρησιμοποιηθεί από παιδιά ηλικίας 8 ετών και άνω ή άτομα με μειωμένες σωματικές, αισθητηριακές ή διανοητικές ικανότητες ή με έλλειψη εμπειρίας και γνώσης της συσκευής, εφόσον βρίσκονται υπό επιτήρηση ή έχουν λάβει οδηγίες σχετικά με την ασφαλή χρήση της συσκευής και κατανοούν τους κινδύνους που συνεπάγεται. Τα παιδιά απαγορεύεται να παίζουν με τη συσκευή. Εργασίες καθαρισμού και συντήρησης του χρήστη δεν πρέπει να εκτελούνται από παιδιά χωρίς επιτήρηση.

**⚠ ΠΡΟΕΙΔΟΠΟΙΗΣΗ:** Η συσκευή και τα προσβάσιμα εξαρτήματά της μπορεί να ζεσταθούν κατά τη διάρκεια της χρήσης. Πρέπει να είστε προσεκτικοί, ώστε να αποφεύγετε τυχόν επαφή με τις αντιστάσεις. Τα παιδιά κάτω των 8 ετών δεν πρέπει να πλησιάζουν τη συσκευή, εκτός εάν επιτηρούνται διαρκώς.

### ΕΠΙΤΡΕΠΟΜΕΝΗ ΧΡΗΣΗ

**⚠ ΠΡΟΣΟΧΗ:** Η συσκευή δεν προορίζεται για χρήση σε συνδυασμό με εξωτερικό χρονοδιακόπτη ή ξεχωριστό σύστημα απομακρυσμένου ελέγχου.

**⚠** Η συσκευή αυτή έχει σχεδιαστεί για οικιακή χρήση καθώς και για παρόμοιες χρήσεις όπως: κουζίνες προσωπικού σε καταστήματα, γραφεία και άλλους χώρους εργασίας, αγροκτήματα, από πελάτες σε ξενοδοχεία, μοτέλ, bed & breakfast και άλλους χώρους κατοικίας.

**⚠** Απαγορεύεται οποιαδήποτε άλλη χρήση (π.χ. θέρμανση δωματίων).

**⚠** Αυτή η συσκευή δεν προορίζεται για επαγγελματική χρήση. Μην χρησιμοποιείτε τη συσκευή σε εξωτερικό χώρο.

### ΕΓΚΑΤΑΣΤΑΣΗ

**⚠** Ο χειρισμός και η εγκατάσταση της συσκευής πρέπει να γίνονται από δύο ή περισσότερα άτομα - κίνδυνος τραυματισμού. Χρησιμοποιείτε γάντια προστασίας για να αφαιρέσετε τη συσκευασία και να κάνετε την εγκατάσταση - κίνδυνος κοψίματος.

**⚠** Η εγκατάσταση, συμπεριλαμβανομένης της παροχής νερού (εάν υπάρχει), τις ηλεκτρικές συνδέσεις και τις επισκευές, πρέπει να πραγματοποιούνται από τεχνικά εξειδικευμένο προσωπικό. Μην επισκευάζετε και μην αντικαθιστάτε κανένα εξάρτημα της συσκευής, εκτός εάν αναφέρεται ρητά στο εγχειρίδιο χρήσης. Κρατήστε τα παιδιά μακριά από το χώρο εγκατάστασης. Μετά από την αποσυσκευασία της συσκευής, βεβαιωθείτε ότι δεν έχει προκληθεί ζημιά σε αυτήν κατά τη μεταφορά. Εάν παρουσιαστεί κάποιο πρόβλημα, επικοινωνήστε με τον αντιπρόσωπο ή με το πλησιέστερο Κέντρο Τεχνικής Υποστήριξης. Μετά την εγκατάσταση, τα υλικά συσκευασίας (πλαστικά, φελιζόλ, κ.λπ.) πρέπει να φυλάσσονται μακριά από τα παιδιά - κίνδυνος ασφυξίας. Η συσκευή πρέπει να αποσυνδέεται από την ηλεκτρική τροφοδοσία πριν από κάθε εργασία εγκατάστασης - κίνδυνος ηλεκτροπληξίας. Κατά την εγκατάσταση, βεβαιωθείτε ότι δεν έχει προκληθεί ζημιά στο καλώδιο τροφοδοσίας από τη συσκευή - κίνδυνος πυρκαγιάς ή ηλεκτροπληξίας. Ενεργοποιήστε τη συσκευή μόνο εφόσον ολοκληρωθεί η εγκατάσταση.

**⚠** Εκτελέστε όλες τις εργασίες κοπής πριν τοποθετήσετε το φούρνο στο έπιπλο και αφαιρέστε όλα τα ροκανίδια και τα πριονίδια.

**⚠** Αν η συσκευή δεν εγκατασταθεί πάνω σε ένα φούρνο, πρέπει να τοποθετηθεί ένα διαχωριστικό πάνελ (δεν περιλαμβάνεται) στο χώρο κάτω από τη συσκευή.

### ΗΛΕΚΤΡΙΚΕΣ ΠΡΟΕΙΔΟΠΟΙΗΣΕΙΣ

**⚠** Πρέπει να είναι δυνατή η αποσύνδεση της συσκευής από την ηλεκτρική τροφοδοσία με αφαίρεση του φικς εάν η πρίζα είναι προσβάσιμη ή με χρήση του πολυπολικού διακόπτη που έχει εγκατασταθεί πριν από την πρίζα σύμφωνα με τα εθνικά πρότυπα ηλεκτρικής ασφαλείας και η

συσκευή πρέπει να διαθέτει γείωση με βάση τα εθνικά πρότυπα ασφαλείας.

**⚠** Μην χρησιμοποιείτε καλώδια προέκτασης (μπαλαντέζες), πολύπριζα ή προσαρμογείς. Μετά την ολοκλήρωση της εγκατάστασης, δεν πρέπει να είναι δυνατή η πρόσβαση στα ηλεκτρικά εξαρτήματα. Μην χρησιμοποιείτε τη συσκευή όταν είστε βρεγμένος ή με γυμνά πόδια. Μην χρησιμοποιήσετε τη συσκευή εάν έχει φθαρεί το ηλεκτρικό καλώδιο ή το φις, εάν δεν λειτουργεί κανονικά, εάν έχει πέσει ή εάν έχει υποστεί άλλη ζημιά.

**⚠** Δεν επιτρέπεται η εγκατάσταση με βύσμα καλωδίου τροφοδοσίας, εκτός εάν το προϊόν είναι ήδη εξοπλισμένο με αυτό που παρέχεται από τον κατασκευαστή.


**⚠** Εάν το καλώδιο τροφοδοσίας έχει υποστεί ζημιά, πρέπει να αντικατασταθεί από τον κατασκευαστή, τον αντιπρόσωπο τεχνικής υποστήριξης ή άλλα καταρτισμένα άτομα, ώστε να αποφευχθούν τυχόν κίνδυνοι - κίνδυνος ηλεκτροπληξίας.

### **ΣΥΝΤΗΡΗΣΗ ΚΑΙ ΚΑΘΑΡΙΣΜΟΣ**

**⚠ ΠΡΟΕΙΔΟΠΟΙΗΣΗ:** Πριν από οποιαδήποτε εργασία συντήρησης, βεβαιωθείτε ότι η συσκευή είναι σβηστή και αποσυνδεδεμένη από το δίκτυο τροφοδοσίας. Ποτέ μην χρησιμοποιείτε συσκευές καθαρισμού με ατμό - κίνδυνος ηλεκτροπληξίας.

**⚠** Μην χρησιμοποιείτε αποξεστικά ή διαβρωτικά προϊόντα, καθαριστικά με βάση τη χλωρίνη ή συρμάτινα σφουγγαράκια.

### **ΑΠΟΡΡΙΨΗ ΥΛΙΚΩΝ ΣΥΣΚΕΥΑΣΙΑΣ**


Τα υλικά της συσκευασίας είναι 100% ανακυκλώσιμα και φέρουν το σύμβολο της ανακύκλωσης .

Συνεπώς, τα διάφορα υλικά συσκευασίας πρέπει να απορρίπτονται υπεύθυνα και με πλήρη συμμόρφωση των κανονισμών των τοπικών αρχών που διέπουν την απόρριψη απορριμμάτων.

### **ΑΠΟΡΡΙΨΗ ΗΛΕΚΤΡΙΚΩΝ ΟΙΚΙΑΚΩΝ ΣΥΣΚΕΥΩΝ**

Η συσκευή αυτή έχει κατασκευαστεί από ανακυκλώσιμα ή επαναχρησιμοποιήσιμα υλικά. Απορρίψτε σύμφωνα με τους τοπικούς κανονισμούς περί απόρριψης των απορριμμάτων. Για περαιτέρω πληροφορίες σχετικά με την επεξεργασία, την ανάκτηση και την ανακύκλωση των ηλεκτρικών οικιακών συσκευών, επικοινωνήστε με τις αρμόδιες τοπικές αρχές, την υπηρεσία συλλογής οικιακών αποβλήτων ή το κατάστημα από όπου αγοράσατε αυτό το προϊόν. Αυτή η συσκευή επισήμαίνεται σύμφωνα με την Ευρωπαϊκή Οδηγία 2012/19/ΕΕ, Απόβλητα Ηλεκτρικού και Ηλεκτρονικού Εξοπλισμού (ΑΗΗΕ) και με τους κανονισμούς 2013 για τα Απόβλητα Ηλεκτρικού και Ηλεκτρονικού Εξοπλισμού (όπως τροποποιήθηκε).

Εξασφαλίζοντας τη σωστή απόρριψη αυτού του προϊόντος, θα βοηθήσετε στην αποτροπή των πιθανά βλαβερών συνεπειών για το περιβάλλον και την ανθρώπινη υγεία.

Το σύμβολο  στο προϊόν ή στα συνοδευτικά έντυπα υποδεικνύει ότι πρέπει να αντιμετωπίζεται ως οικιακό απόρριμμα αλλά πρέπει να μεταφέρετε στο κατάλληλο κέντρο συλλογής για ανακύκλωση ηλεκτρονικού και ηλεκτρικού εξοπλισμού.

### **ΣΥΜΒΟΥΛΕΣ ΓΙΑ ΕΞΟΙΚΟΝΟΜΗΣΗ ΕΝΕΡΓΕΙΑΣ**

Αξιοποιήστε στο έπακρο την υπολειπόμενη θερμότητα της ζεστής εστίας σβήνοντάς την μερικά λεπτά πριν ολοκληρωθεί το μαγείρεμα.

Η βάση της καταρόλας ή του τηγανιού πρέπει να καλύπτει εντελώς τη ζεστή εστία. Ένα μικρότερο δοχείο από την εστία προκαλεί άσκοπη απώλεια ενέργειας.

Σκεπάζετε τις καταρόλες και τα τηγάνια σας κατά το μαγείρεμα με καπάκια σφιχτής εφαρμογής και χρησιμοποιείτε όσο λιγότερο νερό μπορείτε. Το μαγείρεμα χωρίς καπάκι αυξάνει σε μεγάλο βαθμό την κατανάλωση ενέργειας. **Χρησιμοποιείτε μόνο καταρόλες και τηγάνια με επίπεδη βάση.**

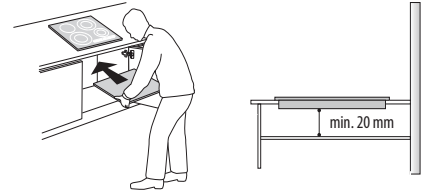
### **ΔΗΛΩΣΗ ΣΥΜΜΟΡΦΩΣΗΣ**

Η συσκευή αυτή πληροί τις απαιτήσεις οικολογικού σχεδιασμού του Ευρωπαϊκού κανονισμού 66/2014 και τον οικολογικό σχεδιασμό για σχετικά με την ενέργεια προϊόντα και ενεργειακές πληροφορίες (Τροποποίηση) (ΕΕ Exit) Κανονισμού 2019, σύμφωνα με το Ευρωπαϊκό πρότυπο EN 60350-2.



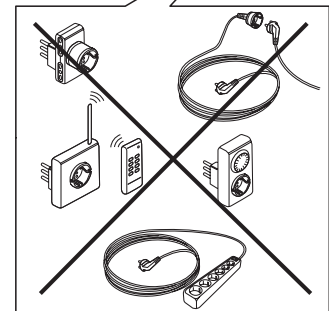
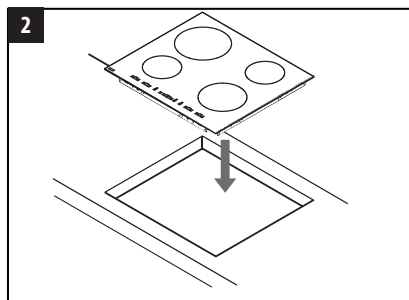
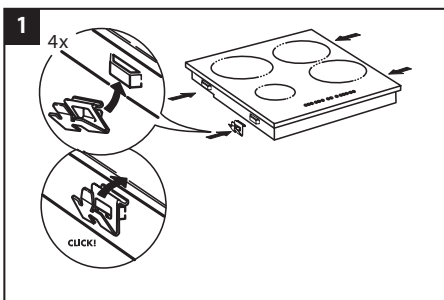
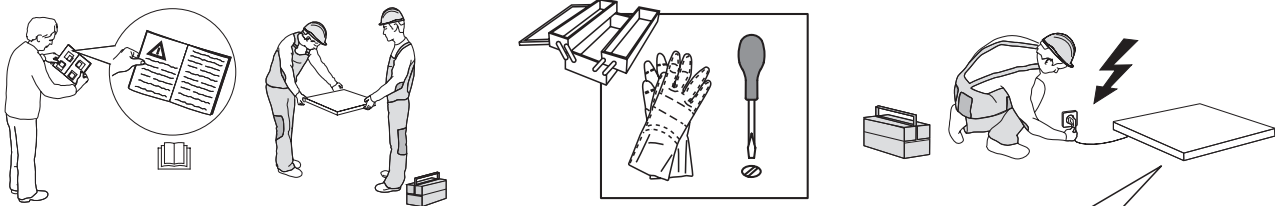
## ΕΓΚΑΤΑΣΤΑΣΗ

- Η εστία πρέπει να τοποθετηθεί σε πάγκο βάθους τουλάχιστον 20 mm.
- Δεν πρέπει να υπάρχει τίποτα ανάμεσα στην επιφάνεια ψησίματος και του φούρνου (διασταυρωμένες ράγες, βραχίονες κ.λπ.).
- Βεβαιωθείτε ότι το καλώδιο τροφοδοσίας είναι αρκετά μακρύ για εύκολη εγκατάσταση.
- Η απόσταση μεταξύ της κάτω επιφάνειας της γυάλινης κεραμικής εστίας και του ντουλαπιού ή το διαχωριστικό πάνελ πρέπει να είναι τουλάχιστον 20 mm.
- Για τις διαστάσεις ενσωμάτωσης και την εγκατάσταση, δείτε την εικόνα στην παρούσα παράγραφο.
- Πρέπει να διατηρείται μια ελάχιστη απόσταση μεταξύ της εστίας και του απορροφητήρα που βρίσκεται από πάνω. Ανατρέξτε στο εγχειρίδιο χρήσης του απορροφητήρα για περισσότερες πληροφορίες.
- Εφαρμόστε το παρεχόμενο παρέμβυσμα στην μονάδα εστιών (εκτός εάν έχει ήδη τοποθετηθεί), αφού καθαρίσετε την επιφάνεια.
- **Μην τοποθετείτε την μονάδα εστιών κοντά σε πλυντήριο πιάτων ή στο πλυντήριο ρούχων, έτσι ώστε τα ηλεκτρονικά κυκλώματα να μην έρχονται σε επαφή με ατμό ή υγρασία, κάτι που θα μπορούσε να προκαλέσει ζημιά σε αυτά.**
- Αν ένας φούρνος είναι εγκατεστημένος κάτω από την μονάδα εστιών, βεβαιωθείτε ότι είναι εξοπλισμένος με σύστημα ψύξης. Εάν η θερμοκρασία των ηλεκτρονικών κυκλωμάτων υπερβεί τη μέγιστη επιτρεπόμενη θερμοκρασία, η μονάδα εστιών θα απενεργοποιηθεί αυτόματα. Σε αυτή την περίπτωση, περιμένετε λίγα λεπτά έως ότου η εσωτερική θερμοκρασία των ηλεκτρονικών κυκλωμάτων να φτάσει σε ένα αποδεκτό επίπεδο, στο οποίο θα είναι δυνατό να ανάψετε ξανά τη μονάδα εστιών.

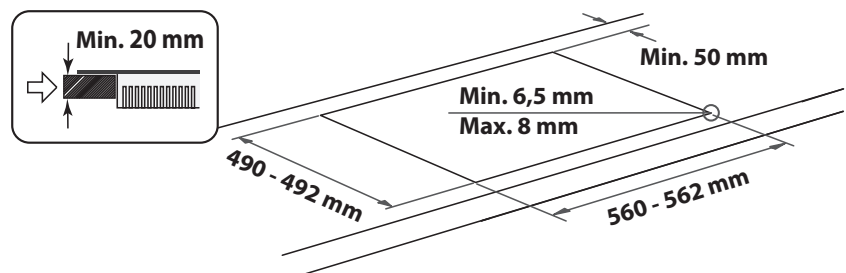
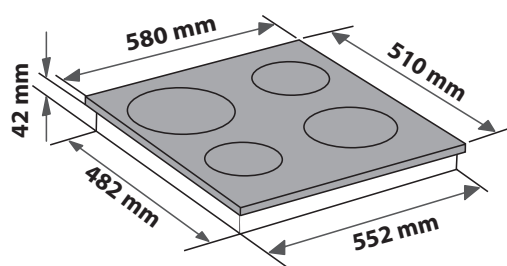
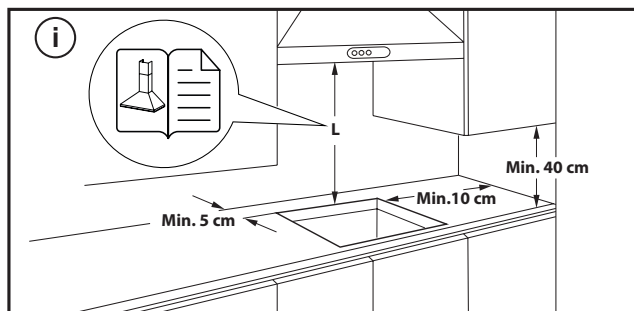


### ΤΟΠΟΘΕΤΗΣΗ ΤΗΣ ΜΟΝΑΔΑΣ ΕΣΤΙΩΝ

Μετά την ηλεκτρική σύνδεση (βλ. κεφάλαιο "Ηλεκτρική σύνδεση"), τοποθετήστε κάθε κλιπ στερέωσης στις ειδικές υποδοχές στα πλαϊνά της μονάδας εστιών, όπως φαίνεται στην εικόνα. Στη συνέχεια, σπρώξτε τη μονάδα εστιών μέσα στο άνοιγμα και βεβαιωθείτε ότι το γυαλί είναι επίπεδο και παράλληλο με τον πάγκο. Τα κλιπ στερέωσης είναι σχεδιασμένα για κάθε είδους πάγκο (ξύλο, μάρμαρο κ.λπ.).



### ΔΙΑΣΤΑΣΕΙΣ ΚΑΙ ΑΠΟΣΤΑΣΕΙΣ ΠΟΥ ΠΡΕΠΕΙ ΝΑ ΤΗΡΟΥΝΤΑΙ



### ΑΦΑΙΡΕΣΗ ΤΗΣ ΕΣΤΙΑΣ:

Για να αφαιρέσετε την εστία, πρώτα αποσυνδέστε την από την παροχή ρεύματος. Συνιστάται ανεπιφύλακτα να ελευθερώσετε το κάτω μέρος από το φούρνο, το συρτάρι, το διαχωριστικό ή άλλο. Επιτρέπεται στον τεχνικό να έχει πρόσβαση στο κάτω μέρος της εστίας για να ξεσφίξει τα τέσσερα κλιπ με ένα κατασαβίδι, να σηκώσει την εστία και να την αφαιρέσει, αποφεύγοντας οποιαδήποτε ζημιά στον πάγκο εργασίας.



## ΗΛΕΚΤΡΙΚΗ ΣΥΝΔΕΣΗ

Πριν συνδέσετε τη συσκευή στην τροφοδοσία ρεύματος, πρέπει να γίνει η ηλεκτρική σύνδεση.

Το καλώδιο τροφοδοσίας δεν περιλαμβάνεται στη συσκευασία - θυμηθείτε να προετοιμάσετε το δικό σας καλώδιο τροφοδοσίας.

Η εγκατάσταση πρέπει να πραγματοποιηθεί από εξειδικευμένο προσωπικό που γνωρίζει τους τρέχοντες κανονισμούς ασφαλείας και εγκατάστασης. Συγκεκριμένα, η εγκατάσταση πρέπει να πραγματοποιείται σύμφωνα με τους κανονισμούς της τοπικής εταιρείας παροχής ηλεκτρικής ενέργειας.

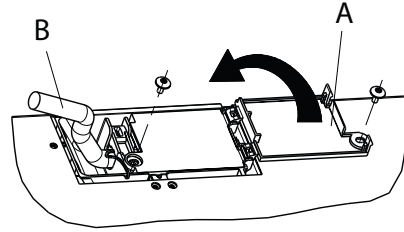
Βεβαιωθείτε ότι η τάση που καθορίζεται στην πινακίδα στοιχείων στο κάτω μέρος της συσκευής είναι η ίδια με την οικιακή.

Οι κανονισμοί απαιτούν τη γείωση της συσκευής: χρησιμοποιήστε καλώδια (συμπεριλαμβανομένου του καλωδίου γείωσης) κατάλληλου μεγέθους μόνο.

### ΣΥΝΔΕΣΗ ΣΤΟΝ ΠΙΝΑΚΑ ΑΚΡΟΔΕΚΤΩΝ

Για ηλεκτρική σύνδεση, χρησιμοποιήστε ένα καλώδιο H05RR-F ή H05V2V2-F όπως καθορίζεται στον παρακάτω πίνακα.

ΤΑΣΗ ΠΑΡΟΧΗΣ	ΑΓΩΓΟΙ ΠΟΣΟΤΗΤΑ x ΜΕΓΕΘΟΣ
220-240V ~+ 	3 x 4 mm <sup>2</sup>
230-240V ~+ 	3 x 4 mm <sup>2</sup> (μόνο για την Αυστραλία)
220-240V 3~+ 	4 x 1,5 mm <sup>2</sup>
380-415V 3N~+ 	5 x 1,5 mm <sup>2</sup>
380-425V 2N~+ 	4 x 1,5 mm <sup>2</sup>

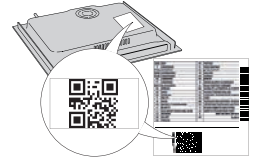
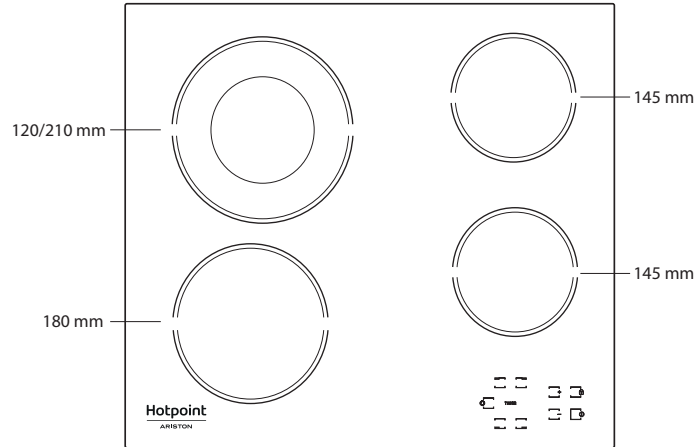
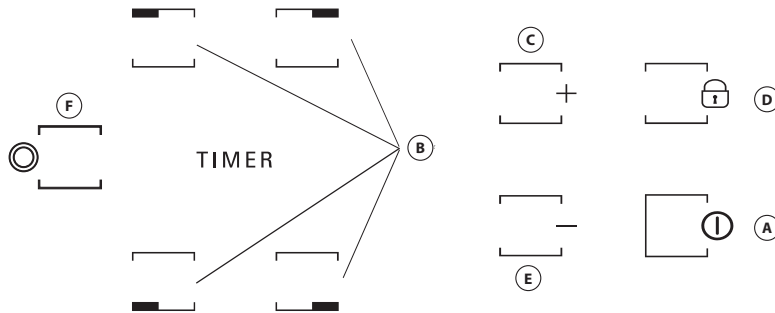


**Η συσκευή πρέπει να συνδεθεί στην τροφοδοσία ρεύματος μέσω ενός πολυπολικού διακόπτη αποσύνδεσης με ελάχιστο διάστημα επαφής 3 mm.**

**ΠΡΟΣΟΧΗ:** Το καλώδιο τροφοδοσίας πρέπει να είναι αρκετά μακρύ ώστε να επιτρέπεται η αφαίρεση της μονάδας εστιών από τον πάγκο και πρέπει να τοποθετείται έτσι ώστε να αποφεύγεται η πρόκληση ζημιάς ή η υπερθέρμανση που προκαλείται από την επαφή με τη βάση.

**ΣΗΜΕΙΩΣΗ:** το κίτρινο/πράσινο καλώδιο γείωσης πρέπει να συνδεθεί στο τερματικό με το σύμβολο  και πρέπει να είναι μεγαλύτερο από τα άλλα καλώδια.

- Βγάλτε περίπου 70 mm από το περίβλημα του καλωδίου τροφοδοσίας (**B**).
- Απογυμνώστε περίπου 10 mm από τα καλώδια. Εισαγάγετε το καλώδιο τροφοδοσίας στο σφιγκτήρα και συνδέστε τα καλώδια στους ακροδέκτες όπως φαίνεται στο διάγραμμα σύνδεσης που βρίσκεται δίπλα από την πλακέτα ακροδεκτών.
- Ασφαλίστε το καλώδιο τροφοδοσίας (**B**) μέσω του σφιγκτήρα καλωδίου.
- Κλείστε την πλακέτα ακροδεκτών με το κάλυμμα (**A**) ασφαλίζοντας το με την προβλεπόμενη βίδα.
- Μετά την ηλεκτρική σύνδεση, τοποθετήστε τη μονάδα εστιών από το πάνω μέρος και στερεώστε τη στα ελατήρια στήριξης, σύμφωνα με την εικόνα.

**ΣΑΣ ΕΥΧΑΡΙΣΤΟΥΜΕ ΠΟΥ ΑΓΟΡΑΣΑΤΕ ΕΝΑ ΠΡΟΪΟΝ WHIRLPOOL**Για να λάβετε πλήρη τεχνική υποστήριξη, παρακαλούμε να καταχωρίσετε τη συσκευή σας στην ιστοσελίδα [www.hotpoint.eu/register](http://www.hotpoint.eu/register).**Διαβάστε τις οδηγίες για την ασφάλεια προσεκτικά πριν χρησιμοποιήσετε τη συσκευή.****ΣΑΡΩΣΤΕ ΤΟΝ ΚΩΔΙΚΟ QR ΣΤΗ ΣΥΣΚΕΥΗ ΣΑΣ ΓΙΑ ΠΕΡΙΣΣΟΤΕΡΕΣ ΠΛΗΡΟΦΟΡΙΕΣ****ΠΕΡΙΓΡΑΦΗ ΠΡΟΪΟΝΤΟΣ****ΠΙΝΑΚΑΣ ΕΛΕΓΧΟΥ**

- A** Ενεργ/Απενεργ  
**B** Επιλογή εστιών και χρονοδιακόπτης  
**C-E** Αύξηση και μείωση ρύθμισης θερμοκρασίας  
**D** Κλείδωμα των κουμπιών  
**F** Ενεργοποίηση/απενεργοποίηση πολλαπλής ζώνης

**ΠΡΩΤΗ ΧΡΗΣΗ**

Κατά την πρώτη εγκατάσταση, ο πίνακας διακοπών θα εκτελέσει έναν έλεγχο λειτουργίας για περίπου 1 δευτερόλεπτο και, στη συνέχεια, θα ενεργοποιήσει αυτόματα τη λειτουργία "Κλείδωμα πλήκτρων".  
 Γι να απενεργοποιήσετε αυτή τη λειτουργία, πατήστε και κρατήστε πατημένο

το κουμπί "D", ένα ηχητικό σήμα θα ηχήσει και το αντίστοιχο led θα σβήσει.  
**ΣΗΜΕΙΩΣΗ:** Σε περίπτωση επαναρρύθμισης της συσκευής, επαναλάβετε τη διαδικασία που περιγράφεται πιο πάνω.

**ΚΑΘΗΜΕΡΙΝΗ ΧΡΗΣΗ****1 ΕΝΕΡΓΟΠΟΙΗΣΗ/ΑΠΕΝΕΡΓΟΠΟΙΗΣΗ ΜΟΝΑΔΑΣ ΕΣΤΙΩΝ**

Για να ενεργοποιήσετε τη μονάδα εστιών, πρέπει να κρατήσετε πατημένο το κουμπί "A" για 2 περίπου δευτερόλεπτα. Στις οθόνες των 4 εστιών μαγειρέματος εμφανίζεται η ένδειξη "0". Εάν μέσα σε 20 περίπου δευτερόλεπτα δεν ανάβει καμία από τις μαγειρικές εστίες, η μονάδα των εστιών σβήνει αυτόματα για λόγους ασφαλείας.

**ΕΝΕΡΓΟΠΟΙΗΣΗ ΚΑΙ ΡΥΘΜΙΣΗ ΕΣΤΙΩΝ**

Πιέστε ένα από τα κουμπιά "B" που αντιστοιχεί στη ζώνη μαγειρέματος που σκοπεύετε να χρησιμοποιήσετε. Επιλέξτε τη ρύθμιση μαγειρέματος πατώντας τα κουμπιά "E" ή "C". Οι άλλες επιλέξιμες ρυθμίσεις μαγειρέματος κυμαίνονται από 1 έως 9. Πιέστε ταυτόχρονα τα κουμπιά "+/-" για να ακυρώσετε όλες τις ρυθμίσεις.

**ΠΡΟΣΟΧΗ:** ο διακόπτης απενεργοποιείται 10 δευτερόλεπτα μετά την επιλογή της ρύθμισης της θερμοκρασίας. Για αλλαγή της ρύθμισης της θερμοκρασίας, πιέστε ξανά το κουμπί επιλογής "B" και αλλάξτε τη ρύθμιση, χρησιμοποιώντας τα κουμπιά "E" ή "C".

**2 ΠΟΛΛΑΠΛΗ ΖΩΝΗ**

Αφού επιλέξετε τη ζώνη μαγειρέματος και ρυθμίσετε το επίπεδο (όπως περιγράφεται στην προηγούμενη ενότητα) πατήστε το "F": ανάβει ένας δείκτης πάνω από το κουμπί, ενεργοποιώντας την επιπλέον ζώνη.  
 Η πολλαπλή ζώνη μπορεί να χρησιμοποιηθεί αν:  
 • Η ζώνη μαγειρέματος παρέχεται με πολλαπλή ζώνη;  
 • Το επίπεδο ισχύος είναι μεγαλύτερο από το 0.  
 Για να απενεργοποιήσετε την πολλαπλή ζώνη, πατήστε το κουμπί "B" της επιθυμητής ζώνης και στη συνέχεια πατήστε ξανά το "F".

**ΧΡΟΝΟΔΙΑΚΟΠΤΗ**

Για τη ρύθμιση της λειτουργίας χρονοδιακόπτη, επιλέξτε την εστία και το επίπεδο ισχύος και πατήστε ξανά το πλήκτρο της εστίας, στο σημείο αυτό ανάβει μια φωτεινή ένδειξη στην οθόνη της εστίας που λειτουργεί με χρονορύθμιση. Στις 2 οθόνες ανάβει η ένδειξη "00". Πατήστε τα κουμπιά "E" ή "C" για να ρυθμίσετε το χρόνο από 1 έως 99.

**ΠΡΟΣΟΧΗ:** μετά από 10 δευτερόλεπτα οι οθόνες του χρονοδιακόπτη εμφανίζουν το επίπεδο ισχύος των άλλων εστιών. Για να εμφανιστεί ο χρόνος που απομένει πατήστε δύο φορές την εστία που λειτουργεί με χρονορύθμιση.

### ΜΙΑ ΛΕΙΤΟΥΡΓΙΑ

Αυτή η λειτουργία επιτρέπει την αυτόματη μείωση του επιπέδου ισχύος της ζώνης μαγειρέματος από την υψηλότερη τιμή (επίπεδο 9) σε αυτήν που έχει επιλέξει ο χρήστης για μεταγενέστερο στάδιο μαγειρέματος.

Για να ενεργοποιήσετε αυτή τη λειτουργία, πατήστε πρώτα το κουμπί “+” όταν φτάσετε στο επίπεδο 9.

Στην οθόνη εμφανίζεται το “A” και το “9” αναβοσβήνει εναλλάξ με χαμηλή φωτεινότητα.

Σε αυτό το σημείο, επιλέξτε το επιθυμητό επίπεδο ισχύος (λιγότερο από 9) με το κουμπί “-”.

Το “A” και το επιλεγμένο επίπεδο αναβοσβήνουν εναλλάξ με χαμηλή φωτεινότητα στην οθόνη. Η λειτουργία ενεργοποιείται μία φορά “A” και το επιλεγμένο επίπεδο αναβοσβήνει εναλλάξ με υψηλή φωτεινότητα στην οθόνη. Μόλις το “A” δεν είναι πλέον ορατό στην οθόνη (η λειτουργία “A” απενεργοποιείται αυτόματα μετά από αρκετά λεπτά, ανάλογα με το επίπεδο ισχύος που έχει ρυθμιστεί), η διαδικασία μαγειρέματος συνεχίζεται με χαμηλότερη ισχύ και στην οθόνη εμφανίζεται μόνο το επιλεγμένο επίπεδο ισχύος.

**ΣΗΜ.:** αυτή η λειτουργία δεν είναι δυνατή με το επίπεδο 9.



### ΚΛΕΙΔΩΜΑ ΠΛΗΚΤΡΩΝ

Η λειτουργία Κλείδωμα πλήκτρων ενεργοποιείται κρατώντας πατημένο το κουμπί “D” έως ότου σβήσει η κουκκίδα πάνω από το κουμπί λειτουργίας. Ο πίνακας ελέγχου είναι κλειδωμένος εκτός από τη λειτουργία απενεργοποίησης. Η λειτουργία παραμένει ενεργοποιημένη ακόμη και αφού σβήσετε και ανάψετε πάλι τη μονάδα εστιών και μπορεί να απενεργοποιηθεί πιέζοντας το κουμπί “D” ξανά έως ότου σβήσει η κουκκίδα πάνω από το κουμπί λειτουργίας.

Όταν η εστία είναι απενεργοποιημένη με το κλείδωμα των κουμπιών ενεργοποιημένο, για να ενεργοποιήσετε την εστία, απενεργοποιήστε πρώτα τη λειτουργία κλειδώματος των κουμπιών πατώντας ξανά το κουμπί “D” μέχρι να σβήσει η κουκκίδα πάνω από το κουμπί λειτουργίας.

Η παρουσία νερού, υγρού που χύνεται από καθαρόλες ή οπωινδήποτε αντικείμενων ακουμπούν στα χειριστήρια μπορεί να ενεργοποιήσει ή να απενεργοποιήσει κατά λάθος το κλείδωμα των κουμπιών.



### ΕΝΔΕΙΞΗ ΥΠΟΛΕΙΠΟΜΕΝΗΣ ΘΕΡΜΟΤΗΤΑΣ

Όταν σβήσει η εστία, η ένδειξη υπολειπόμενης θερμότητας “H” παραμένει αναμμένη ή αναβοσβήνει με “0” μέχρι η θερμοκρασία της εστίας να επιστρέψει εντός των ορίων ασφαλείας.

**ΠΡΟΣΟΧΗ:** Οι λειτουργίες ασφαλείας της εστίας περιλαμβάνουν μια λειτουργία για αυτόματο σβήσιμο. Η παρατεταμένη χρήση της ίδιας ρύθμισης θερμοκρασίας ενεργοποιεί το αυτόματο σβήσιμο της εστίας (για παράδειγμα, μετά από περίπου 1 ώρα στη μέγιστη ρύθμιση θερμοκρασίας, η εστία σβήνει).

**ΣΗΜΑΝΤΙΚΟ:** Για να αποφύγετε μόνιμη βλάβη των εστιών:

- Μην χρησιμοποιείτε σκεύη με βάση που δεν είναι εντελώς επίπεδη
- Μην χρησιμοποιείτε μεταλλικά σκεύη με εμαγιέ βάση
- Μην τοποθετείτε ζεστές καθαρόλες/σκεύη πάνω στον πίνακα ελέγχου.

Η εστία είναι επίσης εξοπλισμένη με τη λειτουργία “auto shut off” (αυτόματη απενεργοποίηση) που απενεργοποιεί τη ζώνη μαγειρέματος εάν δεν γίνει τροποποίηση του επιπέδου ισχύος μετά από ένα συγκεκριμένο χρονικό διάστημα, ανάλογα με την ίδια τη ρύθμιση ισχύος. Στον πίνακα, υπάρχει η χρονική διάρκεια κάθε επιπέδου ισχύος.

ΕΠΙΠΕΔΟ ΙΣΧΥΟΣ	ΧΡΟΝΟΣ ΑΥΤΟΜΑΤΗΣ ΑΠΕΝΕΡΓΟΠΟΙΗΣΗΣ
0	30 δευτερόλεπτα
1	10 ώρες
2	5 ώρες
3	5 ώρες
4	4 ώρες
5	3 ώρες
6	2 ώρες
7	2 ώρες
8	2 ώρες
9	1 ώρα

## ΠΙΝΑΚΑΣ ΨΗΣΙΜΑΤΟΣ

ΕΠΙΠΕΔΟ ΙΣΧΥΟΣ		ΤΡΟΠΟΣ ΜΑΓΕΙΡΕΜΑΤΟΣ	ΧΡΗΣΗ ΕΠΙΠΕΔΟΥ (υποδεικνύοντας την εμπειρία μαγειρέματος και τις συνήθειες)
Μέγιστη ισχύς	9	Βράσιμο	Ιδανική ρύθμιση για αύξηση της θερμοκρασίας του φαγητού για γρήγορο βράσιμο στην περίπτωση νερού ή για γρήγορο ζέσταμα υγρών μαγειρέματος.
	9-8	Τσιγάρισμα	Ιδανική ρύθμιση για ρόδισμα, πρώτα στάδια μαγειρέματος, τηγάνισμα καταψυγμένων προϊόντων και γρήγορο βράσιμο.
Υψηλή ισχύς	8-7	Ρόδισμα - διατήρηση βρασμού - ψήσιμο στο γκριλ	Ιδανικό για ρόδισμα, διατήρηση υψηλού βρασμού, μαγείρεμα και ψήσιμο στο γκριλ (μικρή διάρκεια, 5-10 λεπτά).
	7-6	Τηγάνισμα - μαγείρεμα - ψήσιμο στο γκριλ	Ιδανικό για διατήρηση χαμηλού βρασμού, μαγείρεμα και ψήσιμο στο γκριλ (μεσαία διάρκεια, 10-20 λεπτά), προθέρμανση και τηγάνισμα.
Μέτρια ισχύς	6-5	Απαλό τηγάνισμα	Ιδανικό για τηγάνισμα αυγών, ομελετών.
	5-4	Μαγείρεμα - σιγοβράσιμο - βράσιμο	Ιδανική ρύθμιση για μαγείρεμα μεγάλης διάρκειας (ρούζι, σάλτσες, ψητά, ψάρια) με υγρά (π.χ. νερό, κρασί, ζωμός, γάλα), συμπύκνωση κρέμας ζυμαρικών.
	4-3	Συμπύκνωση - συμπύκνωση κρέμας ζυμαρικών	
Χαμηλή ισχύς	2-1	Διατήρηση ζεστού φαγητού - συμπύκνωση κρέμας ριζότου	Ιδανικό για να διατηρείτε ζεστό το φαγητό που μόλις μαγειρέψατε (π.χ., σάλτσες, σούπες, minestrone), συμπύκνωση κρέμας ριζότου και διατήρηση των πιάτων σερβιρίσματος ζεστά.
Ελάχιστη ισχύς	1	Απόψυξη	Ιδανική ρύθμιση για απόψυξη μικρών προϊόντων και απαλό λιώσιμο σοκολάτας ή βουτύρου.
Μηδενική ισχύς	0	—	Μονάδα εστιών σε κατάσταση αναμονής ή απενεργοποίησης (πιθανή υπολειπόμενη θερμότητα τέλους μαγειρέματος, που υποδεικνύεται με ένα “H”).

## ΚΑΘΑΡΙΣΜΟΣ ΚΑΙ ΣΥΝΤΗΡΗΣΗ

### ⚠️ Αποσυνδέστε τη συσκευή από το ηλεκτρικό δίκτυο.

- Μη χρησιμοποιείτε εξοπλισμό καθαρισμού με ατμό.
- Μην χρησιμοποιείτε αποξεστικά καθαριστικά ή συρμάτινα σφουγγαράκια γιατί μπορεί να προκαλέσουν ζημιά στο γυαλί.
- Μετά τη χρήση, καθαρίστε τη μονάδα εστιών (όταν κρυώσει), ώστε να απομακρυνθούν υπολείμματα τροφίμων και κηλίδες.
- Η ζάχαρη ή τα φαγητά με υψηλή περιεκτικότητα σε σάκχαρο προκαλούν φθορά στη μονάδα εστιών και πρέπει να καθαρίζονται αμέσως.

- Το αλάτι, η ζάχαρη και η άμμος μπορούν να χαράξουν την επιφάνεια του γυαλιού.
- Χρησιμοποιείτε μαλακό πανί, χαρτί κουζίνας ή ειδικά προϊόντα για τον καθαρισμό της μονάδας (ακολουθείτε τις οδηγίες του κατασκευαστή).
- Οι διαρροές υγρών στις εστίες μπορεί να προκαλέσει τη μετακίνηση ή τον κραδασμό των σκευών.
- Σκουπίστε καλά την επιφάνεια της μονάδας μετά τον καθαρισμό.

## ΑΝΤΙΜΕΤΩΠΙΣΗ ΠΡΟΒΛΗΜΑΤΩΝ

Εάν η μονάδα εστιών δεν λειτουργεί σωστά, πριν επικοινωνήσετε με το κέντρο εξυπηρέτησης πελατών, ανατρέξτε στον οδηγό αντιμετώπισης προβλημάτων για να να καθορίσετε το πρόβλημα.

- Διαβάστε τις οδηγίες που παρέχονται στην ενότητα "Καθημερινή χρήση".
- Βεβαιωθείτε ότι δεν υπάρχουν διακοπές στην παροχή.
- Σκουπίστε καλά την επιφάνεια της μονάδας μετά τον καθαρισμό.
- Εάν έχει επιλεγεί μια ζώνη μαγειρέματος και στην οθόνη εμφανίζεται ένα "F" ή ένα "ER" ακολουθούμενο από έναν αριθμό, επικοινωνήστε με το σέρβις και ενημερώστε σχετικά.
- Εάν ο κωδικός σφάλματος είναι "F03", "ER03" ή "E02", προσπαθήστε να το λύσετε ακολουθώντας αυτές τις οδηγίες:
  - Εάν εμφανιστεί το σφάλμα "E02" βεβαιωθείτε ότι δεν έχετε πατήσει κουμπιά για περισσότερα από 5 δευτερόλεπτα, ότι δεν υπάρχει αντικείμενο στην περιοχή HMI και ότι είναι καθαρή και στεγνή - κατά τον καθαρισμό, ακολουθήστε όσα αναφέρονται στην παράγραφο συντήρησης και καθαρισμού.
  - Εάν εμφανιστεί το σφάλμα "F03", δοκιμάστε να απενεργοποιήσετε και να ενεργοποιήσετε ξανά την εστία.
  - Εάν εμφανιστεί το σφάλμα "F04", επικοινωνήστε με το σέρβις και ενημερώστε σχετικά με τον κωδικό που εμφανίζεται.

- Αν η κουζίνα δε λειτουργεί ύστερα από παρατεταμένη χρήση, τότε η εσωτερική της θερμοκρασία είναι πολύ υψηλή. Περιμένετε μερικά λεπτά μέχρι να κρυώσει η κουζίνα.
- Εάν ο θερμοαντήρας δεν είναι συνεχώς αναμμένος, αλλά ανάβει και σβήνει κυκλικά, ακόμα κι αν στην οθόνη το επίπεδο ισχύος δεν αλλάζει, αυτό αποτελεί μέρος της κανονικής λειτουργίας της εστίας. Ο κύκλος on/off (ενεργοποίηση/απενεργοποίηση) επιτρέπει τη ρύθμιση ισχύος του θερμοαντήρα και είναι απολύτως φυσιολογικός. Σε ορισμένες περιπτώσεις, η θερμική προστασία θα μπορούσε να απενεργοποιήσει τον θερμοαντήρα για κάποιο χρονικό διάστημα για να αποφευχθεί η ζημιά στο γυαλί. Παραδείγματα τέτοιων περιπτώσεων είναι: μαγείρεμα για μεγάλο χρονικό διάστημα σε υψηλό επίπεδο ισχύος, χρησιμοποιώντας κατασρόλες μικρότερες από το θερμοαντικό στοιχείο και όχι κατασρόλες με επίπεδο πυθμένα.
- Εάν η εστία εκπέμπει έναν σύντομο ήχο χωρίς ο πελάτης να πατήσει κανένα κουμπί, φροντίστε να μην χυθεί υγρό στο HMI. Στεγνώστε το HMI και συνεχίστε να χρησιμοποιείτε την εστία. Εάν η εστία έχει απενεργοποιηθεί αυτόματα, αυτό μπορεί να προκληθεί από παρουσία υγρού στο HMI. Στεγνώστε το HMI και ενεργοποιήστε ξανά την εστία.

Εάν μετά από αυτούς τους ελέγχους το πρόβλημα παραμένει, απευθυνθείτε στο πλησιέστερο Κέντρο Εξυπηρέτησης Πελατών.

## ΚΕΝΤΡΟ ΕΞΥΠΗΡΕΤΗΣΗΣ ΠΕΛΑΤΩΝ

Για να λάβετε πλήρη τεχνική υποστήριξη, παρακαλούμε να καταχωρίσετε τη συσκευή σας στην ιστοσελίδα [www.hotpoint.eu/register](http://www.hotpoint.eu/register).

### ΠΡΙΝ ΚΑΛΕΣΕΤΕ ΤΟ ΣΕΡΒΙΣ:

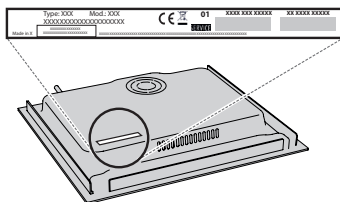
- Επιχειρήστε να επιλύσετε μόνοι σας το πρόβλημα με τη βοήθεια των συστάσεων που παρέχονται στον **ΟΔΗΓΟ ΑΝΤΙΜΕΤΩΠΙΣΗΣ ΒΛΑΒΩΝ**.
- Σβήστε και αναψτε ξανά τη συσκευή για να διαπιστώσετε εάν η βλάβη παραμένει.

### ΕΑΝ Η ΒΛΑΒΗ ΕΞΑΚΟΛΟΥΘΕΙ ΝΑ ΕΜΦΑΝΙΖΕΤΑΙ ΜΕΤΑ ΤΟΥΣ ΠΑΡΑΠΑΝΩ ΕΛΕΓΧΟΥΣ, ΕΠΙΚΟΙΝΩΝΗΣΤΕ ΜΕ ΤΟ ΠΛΗΣΙΕΣΤΕΡΟ ΣΕΡΒΙΣ.

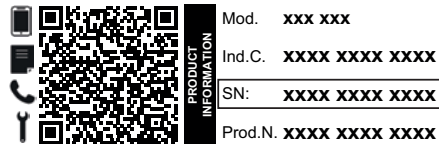
Για τεχνική υποστήριξη, καλέστε τον αριθμό που αναγράφεται στο βιβλιαράκι εγγύησης ή ακολουθήστε τις οδηγίες στην [www.hotpoint.eu](http://www.hotpoint.eu).

Όταν επικοινωνείτε με την Εξυπηρέτηση πελατών, αναφέρετε πάντα:

- Μια σύντομη περιγραφή της βλάβης;
- Τον τύπο και το ακριβές μοντέλο της συσκευής;



- τον σειριακό αριθμό (αριθμός μετά τη λέξη SN στην πινακίδα που βρίσκεται κάτω από τη συσκευή). Ο σειριακός αριθμός αναφέρεται επίσης στην τεκμηρίωση.



- την πλήρη διεύθυνσή σας
- τον αριθμό τηλεφώνου σας.

Εάν απαιτείται επισκευή, απευθυνθείτε σε ένα εξουσιοδοτημένο Κέντρο Εξυπηρέτησης Πελατών (για να διασφαλιστεί η χρήση γνήσιων ανταλλακτικών και η σωστή επισκευή).

### Μπορείτε να βρείτε πολιτικές, τυπική τεκμηρίωση και πρόσθετες πληροφορίες προϊόντος:

- Χρήση του κωδικού QR στη συσκευή σας;
- Επισκεφθείτε την ιστοσελίδα μας [docs.hotpoint.eu](http://docs.hotpoint.eu);
- Εναλλακτικά, **μπορείτε να επικοινωνήσετε με την Υπηρεσία εξυπηρέτησης πελατών** (βλ. τηλεφωνικό αριθμό στο βιβλιαράκι εγγύησης). Όταν επικοινωνείτε με το Κέντρο εξυπηρέτησης πελατών, αναφέρετε τους κωδικούς που αναγράφονται στην ετικέτα αναγνώρισης προϊόντος.



# ІНСТРУКЦІЇ З ТЕХНІКИ БЕЗПЕКИ

## ВАЖЛИВА ІНФОРМАЦІЯ, ЯКУ СЛІД ПРОЧИТАТИ ТА ЯКОЇ СЛІД ДОТРИМУВАТИСЯ

Завантажте повну інструкцію з експлуатації з сайту <http://docs.hotpoint.eu> або зателефонуйте за номером телефону, вказаним у гарантійному буклеті.

Перед використанням приладу прочитайте ці інструкції з техніки безпеки. Збережіть їх для використання у майбутньому.

У цих інструкціях та на самому приладі містяться важливі попередження про небезпеку, які слід завжди виконувати. Виробник не несе жодної відповідальності за недотримання цих інструкцій з техніки безпеки, за неналежне використання приладу або неправильне налаштування елементів управління.

**⚠ ПОПЕРЕДЖЕННЯ:** Якщо варильна поверхня тріснула, не користуйтеся приладом - існує ризик ураження електричним струмом.

**⚠ ПОПЕРЕДЖЕННЯ:** Щоб уникнути пожежі, не зберігайте жодних предметів на поверхнях для приготування.

**⚠ ОБЕРЕЖНО:** слід наглядати за процесом готування. За короткочасним процесом готування слід наглядати постійно.

**⚠ ПОПЕРЕДЖЕННЯ:** Необережне приготування їжі із змістом жиру або олії на варильній панелі може бути небезпечним - це може призвести до виникнення пожежі. НІКОЛИ не намагайтеся загасити вогонь водою: Натомість, вимкніть прилад та накрийте полум'я, наприклад, кришкою або протипожежним покривалом.

**⚠** Не використовуйте варильну панель як робочу поверхню або як підставку. Не кладіть одяг або інші легкозаймисті матеріали поблизу приладу, доки повністю не охолонуть всі його компоненти - існує ризик виникнення пожежі.

**⚠** Не дозволяйте маленьким дітям (від 0 до 3 років) підходити до приладу. Не дозволяйте маленьким дітям (від 3 до 8 років) підходити надто близько до приладу без постійного нагляду. До користування приладом допускаються діти віком від 8 років, особи з фізичними, сенсорними чи розумовими вадами, а також особи, які не мають досвіду чи знань щодо використання цього приладу, тільки за умови, що такі особи отримали інструкції щодо безпечного використання приладу, розуміють можливий ризик або використовують прилад під наглядом. Не дозволяйте дітям гратися з приладом. Не дозволяйте дітям чистити та обслуговувати прилад без нагляду.

**⚠ ПОПЕРЕДЖЕННЯ:** Під час використання прилад і його доступні частини нагріваються. Слід бути обережними, щоб не торкнутися нагрівальних елементів. Дітей до 8 років не можна залишати поруч із приладом без постійного нагляду.

### ДОЗВОЛЕНЕ ВИКОРИСТАННЯ

**⚠ ОБЕРЕЖНО:** Цей прилад не призначено для управління зовнішнім пристроєм для перемикачів, наприклад, таймером або окремою системою дистанційного керування.

**⚠** Цей прилад призначено для використання в побутових і подібних умовах, наприклад таких: у кухонних зонах магазинів, офісів та інших робочих середовищ; у фермерських господарствах; клієнтами в готелях, мотелях, хостелах і інших житлових приміщеннях.

**⚠** Забороняється використовувати прилад для інших цілей (наприклад, для опалення приміщень).

**⚠** Цей пристрій не призначений для професійного використання. Не використовуйте прилад поза приміщенням.

### УСТАНОВЛЕННЯ

**⚠** Установлення і обслуговування приладу мають виконувати принаймні дві особи - існує ризик травмування. Під час розпакування та встановлення приладу використовуйте захисні рукавиці - існує ризик порізів.

**⚠** Установлення, включаючи підключення водопостачання (за наявності), виконання електричних з'єднань, і ремонт має виконувати кваліфікований персонал. Не ремонтуйте та не заміняйте жодну частину приладу, якщо в інструкції з експлуатації прямо не вказано, що це необхідно зробити. Не дозволяйте дітям наближатись до місця установлення. Розпакувавши прилад, перевірте, чи немає на ньому пошкоджень після транспортування. У випадку виникнення проблем зверніться до продавця або найближчого центру післяпродажного обслуговування. Після установлення, залишки упаковки (пластик, пінополістиролові елементи і т.п.) повинні зберігатися в недоступному для дітей місці - існує небезпека удушення. Перед проведенням будь-яких робіт з установлення прилад слід відключити від електромережі - існує ризик ураження електричним струмом. Під час установлення приладу переконайтеся, що він не перетискає кабель живлення - існує ризик виникнення пожежі або ураження електрострумом. Вмикайте прилад лише після завершення процедури його встановлення.

**⚠** Перед вбудовуванням приладу слід виконати всі столярні роботи, прибрати дерев'яну стружку та тирсу.

**⚠** Якщо прилад не встановлений над піччю, то необхідно встановити розділювальну панель (не входить в комплект) у відділенні під приладом.

### ПОПЕРЕДЖЕННЯ ПРО НЕБЕЗПЕКУ УРАЖЕННЯ ЕЛЕКТРИЧНИМ СТРУМОМ

**⚠** Слід забезпечити можливість від'єднання приладу від джерела живлення за рахунок витягання вилки, якщо вона є доступною, або за допомогою багатополюсного перемикача, який встановлено перед розеткою згідно з нормами прокладення електропроводки, крім того, прилад має бути заземлений відповідно до національних стандартів електричної безпеки.

**⚠** Не використовуйте подовжувачі, розгалужувачі або адаптери. Після підключення електричні компоненти мають бути недосяжні користувачеві. Перед

використанням пристрою, якщо ви мокрі або босоніж. Забороняється користуватися цим приладом у разі пошкодження проводаживленняабовилки, неналежної роботи або пошкодження чи падіння.

**⚠** Установлення виробу зі штепсельною вилкою на кінці кабелю живлення допускається, тільки якщо виріб уже оснащено вилкою від виробника.


**⚠** Якщо кабель електроживлення пошкоджений, слід звернутися до виробника, його сервісного агента або особи з подібною кваліфікацією для заміни пошкодженого кабелю на ідентичний кабель, щоб уникнути можливої небезпеки -існує ризик ураження електричним струмом.

### **ЧИЩЕННЯ ТА ОБСЛУГОВУВАННЯ**

**⚠** **ПОПЕРЕДЖЕННЯ:** Перед виконанням технічного обслуговування приладу переконайтеся в тому, що він вимкнений і відключений від джерела живлення; ніколи не застосовуйте пристрої чищення парою - існує ризик ураження електричним струмом.

**⚠** Не використовуйте абразивні чи їдкі матеріали, очисники на основі хлору або металеві щітки.

### **УТИЛІЗАЦІЯ ПАКУВАЛЬНИХ МАТЕРІАЛІВ**


Пакувальний матеріал на 100% підлягає вторинній переробці та позначений символом .

Тому різні частини упаковки слід утилізувати відповідально та відповідно до місцевих правил щодо утилізації відходів.

### **УТИЛІЗАЦІЯ ПОБУТОВИХ ПРИЛАДІВ**

Цей прилад виготовлено з матеріалів, які підлягають вторинній переробці або придатні для повторного використання. Утилізуйте його відповідно до місцевих правил утилізації відходів. Для отримання додаткової інформації про поводження з побутовими електричними приладами, їх утилізацію та вторинну переробку зверніться до місцевих органів, служби утилізації побутових відходів або в магазин, де ви придбали прилад. Цей прилад марковано відповідно до Європейської директиви 2012/19/ЄС, Директиви щодо відпрацьованого електричного й електронного обладнання (WEEE) та до Регламенту 2013 року про відходи електричного та електронного обладнання (зі змінами).

Забезпечивши правильну утилізацію цього приладу, ви допоможете запобігти негативним наслідкам для довкілля та здоров'я людей.

Символ  на продукті або в супровідній документації вказує на те, що прилад не можна утилізувати як побутові відходи, і що його потрібно здати на утилізацію до відповідного центру збору та вторинної переробки електричного й електронного обладнання.

### **ПОРАДИ ЩОДО ЕНЕРГОЗБЕРЕЖЕННЯ**

Скористайтеся залишковим теплом вашої плити, вимкнувши прилад за кілька хвилин до кінця приготування їжі.

Основа вашої каструлі або пательні має закривати плиту повністю; посуд, менший за плиту, сприятиме витраті енергії.

Накривайте каструлі та пательні щільними кришками під час готування та використовуйте якомога менше води. Приготування страв без кришки значно збільшить споживання енергії.

**Використовуйте тільки каструлі та сковороди з плоским дном.**

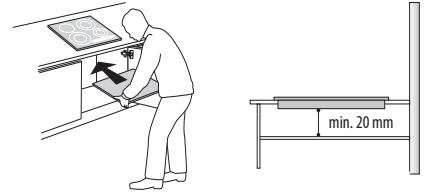
### **ДЕКЛАРАЦІЯ ПРО ВІДПОВІДНІСТЬ**

Цей прилад відповідає вимогам щодо екодизайну Регламенту ЄС 66/2014, вимогам щодо екодизайну для виробів, що споживають енергію, та Положенням про енергетичну інформацію (Поправка) (Вихід з ЄС) 2019 року, відповідно до європейського стандарту EN 60350-2.



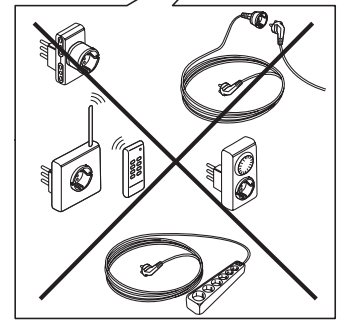
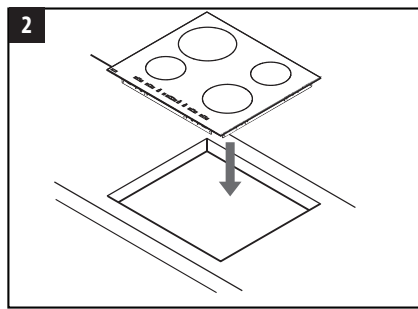
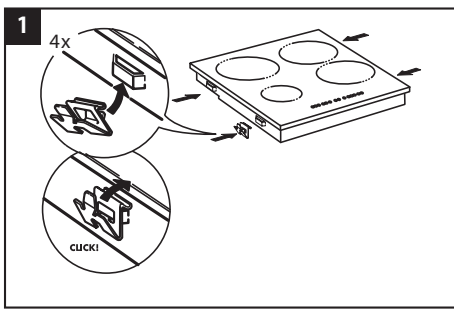
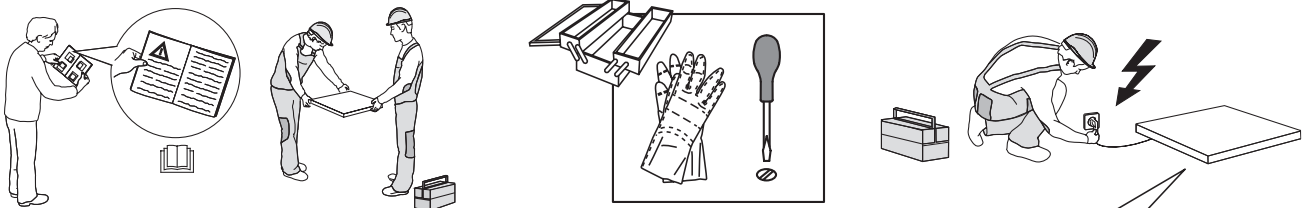
# УСТАНОВЛЕННЯ

- Варильна панель має бути втоплена в робочу поверхню на глибину щонайменше 20 мм.
- Між варильною поверхнею та піччю не має бути нічого іншого (поперечних рейок, скоб і т.д.).
- Шнур живлення повинен мати достатню довжину для зручного встановлення виробу.
- Відстань між нижньою поверхнею склокерамічної поверхні та шафою або роздільною панеллю має бути щонайменше 20 мм.
- Інструкції щодо розмірів вбудовування та встановлення див. на малюнку в цьому параграфі.
- Між варильною панеллю та кухонною витяжною потрібно залишати принаймні мінімальну відстань. Для отримання докладніших відомостей див. інструкції з використання, які постачаються в комплекті з кухонною витяжною.
- Скористайтеся прокладкою, що постачається в комплекті, для варильної поверхні (якщо вона ще не була встановлена), після очищення її поверхні.
- **Не встановлюйте варильну поверхню біля посудомийної чи пральної машини, щоб електронні компоненти не контактували з паром чи вологою, які можуть їх пошкодити.**
- Якщо піч встановлена під варильною поверхнею, переконайтеся, що вона оснащена охолоджувальною системою. Якщо температура електросхеми перевищує максимально допустиму температуру, варильна поверхня вимкнеться автоматично. В цьому випадку почекайте кілька хвилин, поки внутрішня температура електронної схеми не досягне допустимого рівня, коли варильна панель можна буде увімкнути знову.

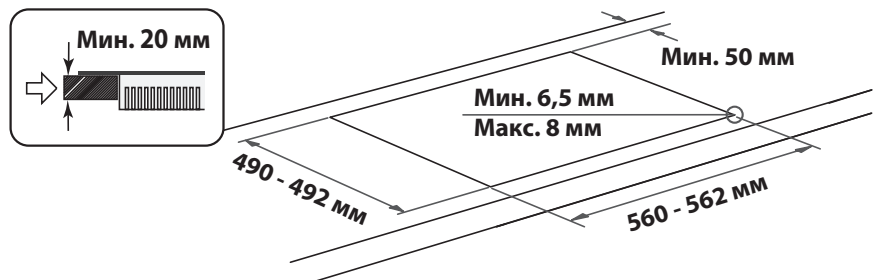
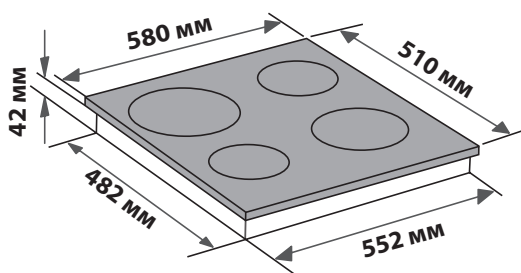
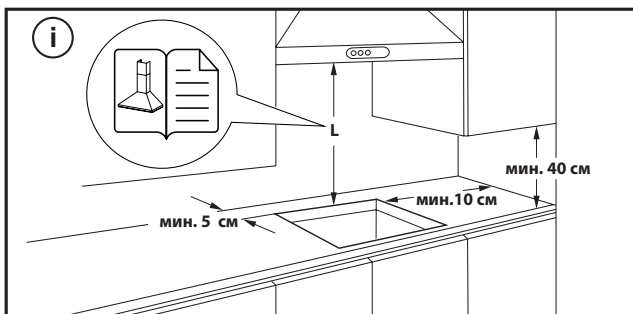


## УСТАНОВЛЕННЯ ВАРИЛЬНОЇ ПАНЕЛІ

Підключивши прилад до електромережі (див. розділ "Підключення до електромережі"), закріпіть зажими у відповідних роз'ємах на бічних сторонах варильної панелі, як зображено на малюнку. Потім засуньте прилад у спеціально вирізану нішу та переконайтеся, що скляну поверхню розміщено паралельно робочій поверхні. Зажими призначені для всіх типів матеріалу, з якого виготовлено робочу поверхню (дерево, мармур тощо).



## РОЗМІРИ ТА ВІДСТАНІ, ЯКИХ СЛІД ДОТРИМУВАТИСЯ



## ДЕМОНТАЖ ВАРИЛЬНОЇ ПАНЕЛІ

Щоб зняти варильну панель, спочатку від'єднайте її від електромережі. Наполегливо рекомендовано звільнити нижню частину меблів, діставши з неї духову шафу, шухляди, розділювальну планку тощо. Завдяки цьому технічний фахівець отримає доступ до нижньої частини варильної панелі, щоб відкрутити чотири затискачі з допомогою викрутки, підняти варильну панель і дістати її, не пошкодивши робочу поверхню.

## ПІДКЛЮЧЕННЯ ДО ЕЛЕКТРОМЕРЕЖ

Електричні підключення мають виконуватися до підключення приладу до електромережі.

Шнур живлення не входить до комплекту, обов'язково підготуйте власний шнур.

Установлення приладу має здійснювати кваліфікований спеціаліст, який ознайомлений із поточними нормами безпеки та монтажу. Зокрема, установка має проводитися згідно з нормами місцевої компанії електропостачання.

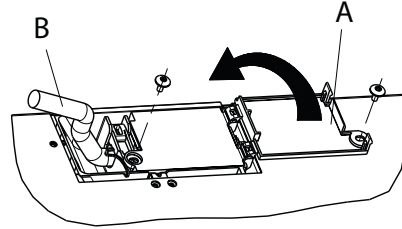
Переконайтеся, що напруга, вказана на таблиці основних параметрів, розташованої на дні приладу, відповідає напрузі будівлі.

Відповідно до нормативних вимог прилад має бути заземленим: використовуйте провідники (включно з провідником заземлення) лише відповідного розміру.

### ПІДКЛЮЧЕННЯ ДО КЛЕМНИКА


Для підключення до електромережі скористайтеся кабелем H05RR-F або H05V2V2-F, указаним у таблиці нижче.

НАПРУГА ДЖЕРЕЛА ЖИВЛЕННЯ	ПРОВІДИ КІЛЬКІСТЬ x РОЗМІР
220-240V ~ + 	3 x 4 mm <sup>2</sup>
230-240V ~ + 	3 x 4 mm <sup>2</sup> (лише Австралія)
220-240V 3~ + 	4 x 1,5 mm <sup>2</sup>
380-415V 3N~ + 	5 x 1,5 mm <sup>2</sup>
380-425V 2N~ + 	4 x 1,5 mm <sup>2</sup>



**Підключати прилад до джерела живлення потрібно за допомогою омніполярного вимикача з мінімальним розривом контактів 3 мм.**

**УВАГА:** Кабель електроживлення має бути достатньо довгим, щоб можна було виїняти варильну поверхню з робочої поверхні та перемістити так, щоб уникнути пошкодження або перегріву, спричиненого контактом з основою.

**ПРИМІТКА:** Дріт заземлення жовтого/зеленого кольору потрібно підключати до клемника, позначеного  символом. Довжина цього дроту має перевищувати довжину інших дротів.

- Вилучіть припл. 70 мм оболонки кабелю з кабелю живлення (**B**).
- Зніміть припл. 10 мм оболонки з дротів. Потім вставте кабель живлення в затискач кабелю та під'єднайте дроти до клемника, як зображено на схемі з'єднань, розташованій біля самого клемника.
- Закріпіть кабель живлення (**B**) затискачем кабелю.
- Закрийте клеймову панель за допомогою кришки (**A**), а потім закріпіть її за допомогою гвинтів, що постачаються в комплекті.
- Після здійснення підключення до мережі, встановіть варильну панель зверху, підвісивши її до опорних пружин, як це зображено на малюнку.





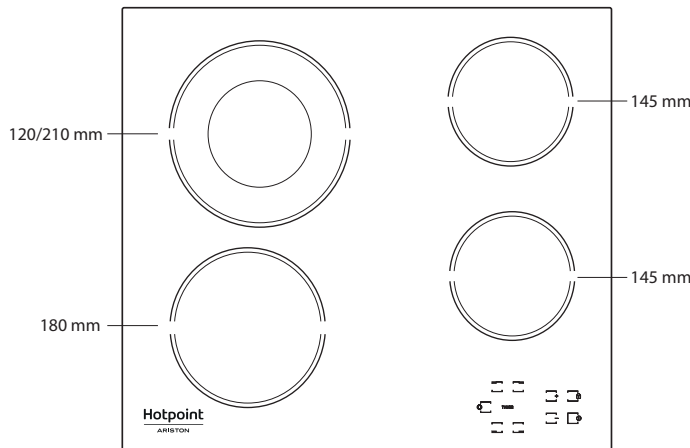
**ДЯКУЄМО ЗА ПРИДБАННЯ ВИРОБУ WHIRLPOOL**  
Для отримання більш повної допомоги зареєструйте свій прилад на сайті [www.hotpoint.eu/register](http://www.hotpoint.eu/register).

**ВІДСКАКУЙТЕ QR-КОД НА СВОЄМУ ПРИЛАДІ, ЩОБ ОТРИМАТИ ДОДАТКОВУ ІНФОРМАЦІЮ**

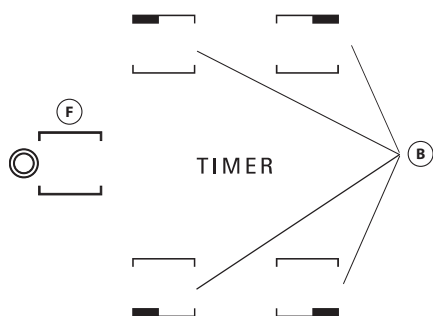


**Перед використанням пристрою уважно прочитайте інструкції з техніки безпеки.**

## ОПИС ВИРОБУ



## ПАНЕЛЬ КЕРУВАННЯ



- A** Вмикання/Вимикання
- B** Конфорки та встановлення таймера
- C-E** Збільшення та зменшення рівня нагрівання
- D** Блокування кнопок
- F** Увімкнення/вимкнення режиму роботи кількох конфорок

## ПЕРШЕ ВИКОРИСТАННЯ

Після першого встановлення приладу панель керування ініціює функціональну перевірку тривалістю 1 секунда, а потім автоматично активується функція "Блокування кнопок". Для деактивації функції натисніть та утримуйте кнопку "D"; пролунає

акустичний сигнал та відповідна індикація LED буде вимкнена.

**ПРИМІТКА:** У разі скидання налаштувань виконайте процедуру, описану вище.

## ЩОДЕННЕ ВИКОРИСТАННЯ



### УВІМКНЕННЯ ТА ВИМКНЕННЯ ВАРИЛЬНОЇ ПАНЕЛІ

Щоб увімкнути варильну панель, натисніть і утримуйте протягом приблизно 2 секунд кнопку "A". Для чотирьох конфорок на дисплеї відобразиться цифра "0" (нуль). Якщо протягом 20 секунд не активовано жодну конфорку, запобіжний захід передбачає автоматичне вимкнення варильної панелі.

### УВІМКНЕННЯ ТА НАЛАШТУВАННЯ КОНФРОК

Натисніть одну з кнопок "B", що відповідає конфорці, яку потрібно використати. За допомогою кнопок "E" та "C" виберіть необхідний рівень нагрівання. Інші можливі налаштування варильної панелі позначаються цифрами від 1 до 9. Щоб скасувати всі налаштування, натисніть одночасно кнопки "+/-".

**ВАЖЛИВО!** Через 10 секунд після встановлення рівня нагрівання буде вимкнено панель керування.

Щоб змінити рівень нагрівання, спочатку натисніть кнопку вибору "B", а потім за допомогою кнопок "E" та "C" змініть налаштування.



### МУЛЬТИКОНТУРНА ЗОНА

Виберіть потрібну конфорку, установіть рівень нагрівання (як описано в попередньому розділі), а потім натисніть кнопку "F". Над кнопкою засвітиться індикатор, що свідчить про увімкнення додаткової конфорки. Режим роботи кількох конфорок можна використовувати лише в наведених нижче випадках.

- Конфорки підтримують режим роботи кількох конфорок;
  - Для рівня живлення вибрано значення, більше за "0" (нуль).
- Щоб вимкнути режим роботи кількох конфорок, натисніть кнопку "B" для відповідної конфорки, а потім ще раз натисніть кнопку "F".

### TIMER (ТАЙМЕР)

Щоб установити таймер, виберіть необхідну конфорку та рівень живлення, ще раз натисніть кнопку конфорки й на дисплеї конфорки, для якої встановлено таймер, з'явиться активована точка. На двох дисплеях блимає позначення "00". Натисніть кнопку "E" та "C", щоб установити час (від 1 до 99).

**ВАЖЛИВО!** Через 10 секунд в областях таймера відобразиться рівень живлення, вибраний для інших конфорок. Щоб переглянути час готування, що залишився, двічі натисніть кнопку конфорки, для якої встановлено таймер.

### ФУНКЦІЯ “А”

Ця функція автоматично знижує рівень потужності конфорки для наступного етапу готування від найвищого значення (9-го рівня) до значення, заданого користувачем.

Щоб активувати цю функцію, у разі досягнення 9-го рівня натисніть кнопку “+”. На екрані з'являється літера “А” й цифра “9”, вони блиматимуть по чергово з низькою яскравістю.

На цьому етапі потрібно вибрати потрібний рівень потужності (менше 9-го) за допомогою кнопки “-”.

На екрані по чергово блиматимуть із низькою яскравістю літера “А” й вибраний рівень.

Коли літера “А” й вибраний рівень по чергово зблимають на екрані з високою яскравістю, це засвідчить активацію функції.

Коли літера “А” зникне з екрана (функція “А” вимикається автоматично через кілька хвилин, залежно від встановленого рівня потужності), процес приготування продовжиться з меншою потужністю, а на екрані відобразатиметься лише вибраний рівень потужності.

**ПРИМІТКА:** ця функція недоступна для 9-го рівня потужності.



### БЛОКУВАННІ КНОПОК

Щоб активувати функцію Блокування кнопок натисніть і утримуйте кнопку “D”, доки над кнопкою функції не засвітиться точка.

Панель керування, крім функції вимкнення приладу, буде заблоковано. Навіть якщо вимкнути, а потім увімкнути варильну панель, функція блокування не вимкнеться. Щоб вимкнути її, потрібно натиснути й утримувати кнопку “D”, доки над кнопкою функції не згасне точка.

Якщо варильна панель вимкнена з активованим блокуванням кнопок, для ввімкнення варильної панелі слід спочатку деактивувати блокування кнопок. Для цього потрібно натиснути й утримувати кнопку “D”, доки над кнопкою функції не згасне точка.

Наявність залишків води, пролитої рідини чи інших об'єктів на елементах керування може спричинити випадкове ввімкнення або вимкнення функції блокування кнопок.



### ІНДИКАТОР ЗАЛИШКОВОГО ТЕПЛОВИДІЛЕННЯ

Після вимкнення варильної панелі по чергово світлитимуться індикатор залишкового тепловиділення “H” і позначення “0”, доки температура варильної панелі не знизиться до безпечного рівня.

**ВАЖЛИВО!** До функцій безпеки варильної панелі належить функція автоматичного вимкнення панелі. Використання конфорки, коли протягом тривалого часу вибрано один рівень нагрівання, ініціює її.

**ВАЖЛИВО!** Щоб запобігти пошкодженню варильної панелі, дотримуйтеся таких вказівок:

- не використовуйте каструлі з нерівним дном;
- не використовуйте металеві каструлі з емальованим дном;
- не розміщуйте гарячі каструлі/сковороди на панелі керування.

Варильну панель також оснащено функцією “Автоматичне вимкнення”, яка автоматично вимикає конфорку, якщо впродовж певного проміжку часу (залежить від встановленого рівня потужності) не змінити рівень потужності. У таблиці наведено тривалість дії кожного рівня потужності.

РІВЕНЬ ПОТУЖНОСТІ	ЧАС АВТОМАТИЧНОГО ВИМКНЕННЯ
0	30 секунд
1	10 година
2	5 година
3	5 година
4	4 година
5	3 година
6	2 година
7	2 година
8	2 година
9	1 година

## ТАБЛИЦЯ ПРИГОТУВАННЯ

РІВЕНЬ ПОТУЖНОСТІ		ТИП ПРИГОТУВАННЯ СТРАВИ	ВИКОРИСТАННЯ РІВНЯ (із зазначенням результату готування та особливостей)
<b>Максимальна потужність</b>	9	Кип'ятіння	Ідеально підходить для швидкого доведення до кипіння води або рідин, що швидко нагріваються.
	9 – 8	Обсмажування	Ідеально підходить для підрум'янювання страв, початку процесу готування, розмороження заморожених продуктів, швидкого кип'ятіння.
<b>Висока потужність</b>	8 – 7	Підрум'янювання – підтримування кипіння – приготування на грилі	Ідеально підходить для підрум'янювання, підтримання стану кип'ятіння на значному вогні, варіння та приготування на грилі (незначна тривалість: 5—10 хвилин).
	7 – 6	Смаження – варіння – приготування на грилі	Ідеально підходить для підтримання стану кип'ятіння на незначному вогні, варіння та приготування на грилі (середня тривалість: 10—20 хвилин), попереднього прогрівання та смаження.
<b>Середня потужність</b>	6 – 5	Делікатне смаження	Ідеально для смаження яєць й приготування омлетів.
	5 – 4	Варіння – повільне кип'ятіння – тушкування	Ідеально підходить для страв, приготування яких займає чимало часу (рис, соуси, печеня, риба), з використанням певних рідин (вода, вино, бульйон, молоко), приготування соусу для макаронних страв.
	4 – 3	Згущування – соус для макаронних страв	
<b>Низька потужність</b>	2 – 1	Підігрівання – приготування ризото	Ідеально для підтримання щойно приготованої їжі (наприклад, соусів, супів, мінестроне) у гарячому стані, приготування ризото та підтримання страв у гарячому стані перед подачею.
<b>Мінімальна потужність</b>	1	Розморожування	Ідеально підходить для розморожування дрібних продуктів та повільного пом'якшення масла чи повільного топлення шоколаду.
<b>Нульова потужність</b>	0	–	Варильна панель у режимі очікування або вимкнута (після готування можлива наявність залишкового тепла, про що свідчить літера “H” на дисплеї).

## ОЧИЩЕННЯ І ОБСЛУГОВУВАННЯ

### ⚠ Від'єднайте прилад від джерела живлення.

- Ніколи не застосовуйте пристрої чищення паром.
- Не використовуйте металеві скребки або абразивні губки, оскільки вони можуть пошкодити скло.
- Після кожного використання очищуйте варильну панель (коли вона охолоне) від плям та залишків їжі.
- Цукор або продукти з високим вмістом цукру можуть пошкоджувати

- поверхню варильної панелі, тому їх слід негайно видаляти.
- Сіль, цукор і пісок можуть подряпати скляну поверхню.
- Використовуйте м'яку ганчірку, кухонну серветку, що вбирає вологу, або спеціальний засіб чищення для варильної панелі (дотримуйтесь інструкцій виробника).
- Пролита на конфорки рідина може спричинити вібрацію та зсування посуду.
- Після чищення ретельно висушіть варильну панель.

## ПОСІБНИК З УСУНЕННЯ НЕСПРАВНОСТЕЙ

Якщо варильна панель працює неналежним чином, перш ніж звертатися до центру післяпродажного обслуговування, перегляньте "Посібник з усунення несправностей", щоб визначити проблему.

- Прочитайте інструкції, наведені у розділі "Щоденне використання", та дотримуйтесь їх.
- Перевірте, чи не перекрито постачання живлення.
- Очистивши варильну панель, ретельно протріть її м'якою сухою ганчіркою.
- Якщо була обрана конфорка та на дисплеї з'являється "F" або "ER" із цифрою, зверніться до центру післяпродажного обслуговування та повідомте про це.
- Якщо відображається код помилки "F03", "ER03" або "E02", спробуйте усунути її в зазначений нижче спосіб.
  - Якщо відображається код помилки "E02", переконайтеся, що ви не натискали кнопки понад 5 секунд, у зоні інтерфейсу керування немає сторонніх предметів і поверхня цієї зони чиста й суха. Під час чищення дотримуйтесь указівок щодо обслуговування та чищення.
  - Якщо відображається помилка "F03", спробуйте вимкнути й повторно увімкнути варильну панель.
  - Якщо відображається помилка "F04", зверніться до центру післяпродажного обслуговування та повідомте код, що відображається.

- Якщо варильна поверхня не працює через інтенсивне використання, то внутрішня температура варильної поверхні занадто висока. Почекайте кілька хвилин, поки варильна панель охолоне.
- Якщо конфорка не лишається постійно ввімкненою, а натомість циклічно вмикається й вимикається, навіть якщо рівень потужності на екрані не змінюється, це є нормальною роботою варильної панелі. Завдяки періодичному вмиканню/вимиканню контролюється рівень потужності конфорки. Це є нормальним явищем. У деяких випадках функція теплового захисту може на певний час спричинити вимкнення конфорки, щоб запобігти пошкодженню скла. Приклади таких випадків: довготривале готування страви на великому вогні; використання каструль, площа дна яких менша за площу конфорки; використання каструль із нерівним дном.
- Якщо варильна поверхня видає короткий звук, коли користувач не натискає жодної кнопки, перевірте, чи не пролилася рідина на зону інтерфейсу керування, і за необхідності витріть її. Висушіть зону інтерфейсу керування, після чого можна продовжити експлуатацію варильної панелі. Якщо варильна панель автоматично вимкнулася, це могла спричинити рідина в зоні інтерфейсу керування. Висушіть зону інтерфейсу керування, після чого знову увімкніть варильну панель.

Якщо після вищевказаних перевірок несправність не зникає, зверніться до найближчого післяпродажного обслуговування.

## ПІСЛЯПРОДАЖНЕ ОБСЛУГОВУВАННЯ

Для отримання більш повної допомоги зареєструйте свій прилад на сайті [www.hotpoint.eu/register](http://www.hotpoint.eu/register).

**ПЕРШ НІЖ ЗВЕРТАТИСЯ ДО ЦЕНТРУ ПІСЛЯПРОДАЖНОГО ОБСЛУГОВУВАННЯ, ВИКОНАЙТЕ НАВЕДЕНІ НИЖЧЕ ДІЇ:**

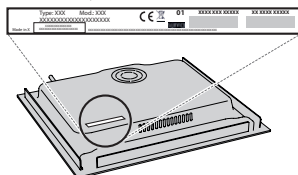
1. Перевірте, чи можна вирішити проблему самостійно за допомогою порад, наведених у розділі **ПОСІБНИК ІЗ УСУНЕННЯ НЕСПРАВНОСТЕЙ**.
2. Вимкніть прилад і знову увімкніть його, щоб перевірити, чи несправність залишається.

**ЯКЩО ПІСЛЯ ВИЩЕВКАЗАНОЇ ПЕРЕВІРКИ НЕСПРАВНІСТЬ НЕ ЗНИКНЕ, ЗВЕРНІТЬСЯ ДО НАЙБЛИЖЧОГО ЦЕНТРУ ПІСЛЯПРОДАЖНОГО ОБСЛУГОВУВАННЯ.**

Щоб отримати допомогу, зверніться за номером, що вказаний у гарантійному талоні, або дотримуйтесь інструкцій на сайті [www.hotpoint.eu](http://www.hotpoint.eu).

Під час зв'язку з нашим Сервісом післяпродажного обслуговування завжди уточнюйте:

- короткий опис несправності;
- тип і точну модель приладу;



- серійний номер (номер після слова SN на паспортній табличці, розташованій під приладом). Серійний номер вказаний також у документації;



- повна адреса вашого місця проживання;
- ваш номер телефону.

Якщо потрібен ремонт, зверніться в авторизований центр післяпродажного обслуговування (щоб гарантувати, що будуть використані оригінальні запчастини та ремонт буде виконано правильно).

**З правилами, стандартною документацією та додатковою інформацією про виріб можна ознайомитися наступним чином:**

- за допомогою QR-коду на вашому побутовому приладі;
- відвідавши наш веб-сайт [docs.hotpoint.eu](http://docs.hotpoint.eu);
- або **звернувшись до нашого центру післяпродажного обслуговування клієнтів** (номер телефону зазначено у гарантійному талоні). Звертаючись до центру післяпродажного обслуговування, повідомте коди, зазначені на табличці з паспортними даними виробу.



חנק. יש לנתק את המכשיר מאספקת החשמל לפני ביצוע פעולות ההתקנה - סכנת התחשמלות. במהלך ההתקנה, יש לוודא כי המכשיר לא פוגע בכבל המתח - סכנת שריפה או התחשמלות. יש להפעיל את המכשיר רק בסיום ההתקנה.

⚠ יש לבצע את כל פעולות החיתוך של הארונות ולנקות את כל שבבי העץ והנסורת לפני התקנת המכשיר במקומו.

⚠ אם המכשיר לא מותקן מעל לתנור, יש להתקין לוח מפריד (לא כלול) בתא שמתחת למכשיר.

#### אזהרות חשמליות

⚠ יש לוודא כי ניתן תמיד לנתק את המכשיר מאספקת המתח על-ידי ניתוקו משקע החשמל או באמצעות מפסק דו-קוטבי המותקן במעלה הזרם של השקע בהתאם לתקנות החיווט. על המכשיר להיות מוארק בהתאם לתקנות הארציות לבטיחות בחשמל.

⚠ אין להשתמש בכבלים מאריכים או במפצלים. לאחר ההתקנה, אסור לרכיבים החשמליים להיות נגישים למשתמש. אין להשתמש במכשיר כשאתה רטוב או יחף. אין להפעיל את המכשיר אם יש זקק לכבל הזנת החשמל או לתקע, אם הוא אינו פועל כהלכה, או אם הוא ניזוק או נפל.

⚠ אין לבצע התקנה באמצעות תקע כבל חשמל אלא אם המוצר מצויד כבר בתקע שסופק על ידי היצרן.

⚠ אם כבל ההזנה פגום, יש להחליפו בכבל זהה מהיצרן, סוכן השירות או אדם מוסמך אחר כדי למנוע סכנה - סכנת התחשמלות.

#### ניקוי ותחזוקה

⚠ אזהרה: יש לוודא שהמכשיר כבוי ומנותק מאספקת החשמל לפני ביצוע פעולת תחזוקה כלשהי; לעולם אין להשתמש בצידוד ניקוי בקיטור - סכנת התחשמלות.

⚠ אין להשתמש במוצרים שוחקים או מאכלים, בחומרי ניקוי על בסיס כלור או בצמר פלדה.

#### השלכת חומרי אריזה



חומרי האריזה ניתנים למיחזור מלא ומסומנים בסמל המיחזור (♻). משום כך, סילוק החלקים השונים של האריזה צריך להתבצע באופן אחראי ותוך עמידה מלאה בתקנות הרשות המקומית בנוגע לסילוק פסולת.

#### השלכת מכשירי חשמל ביתיים

מכשיר זה מיוצר מחומרים הניתנים למחזור או לשימוש חוזר. יש להשליכו בהתאם לתקנות השלכת פסולת של הרשות המקומית. לקבלת מידע מפורט יותר אודות הטיפול, ההשבה והמיחזור של מוצרי חשמל ביתיים, פנה לרשות המקומית, לשירות איסוף פסולת ביתית או לחנות שבה רכשת את המוצר. מכשיר זה מסומן בהתאם להנחיה האירופית 2012/19/EU, פסולת ציוד חשמלי ואלקטרוני (WEEE) ולתקנות פסולת ציוד חשמלי ואלקטרוני 2013 (כפי שתוקנה).

בהקפדה על השלכה נאותה של מוצר זה, ניתן לסייע במניעת נזקים לסביבה ולבריאות הציבור.

⚠ הסמל על-גבי המוצר או במסמכים הנלווים לו מציינים שאין להשליך את המכשיר עם האשפה הביתית הרגילה אלא להעבירו לנקודת איסוף מתאימה שבה ממחזקים ציוד חשמלי ואלקטרוני.

#### עצות לחסכון באנרגיה

יש להפיק את המרב מהחום השיויר של המשטח על-ידי כיבוי מספר דקות לפני סיום הבישול על בסיס הסיר או המחבת לכסות את כל המשטח; מכל שקטן מהמשטח יגרום לבזבז אנרגיה. יש לכסות את הסירים ואת המחבתות במכסים הדוקים בעת הבישול והשתמש בכמה שפחות מים. בישול ללא מכסה יגדיל מאוד את צריכת האנרגיה. יש להשתמש רק בסירים ומחבתות בעלי תחתית שטוחה.

#### הצהרת תאימות

מוצר זה עומד בדרישות Ecodesign של תקנה אירופית 66/2014 וב-Ecodesign עבור מוצרים הקשורים לאנרגיה ומידע אודות אנרגיה (תיקון) (EU Exit) תקנת 2019, בתאימות לתקן אירופי EN 60350-2.

#### הערה

על בעלי קוצבי לב והתקנים רפואיים דומים להיזהר בעת עמידה ליד משטח הבישול כאשר הוא מופעל. השדה האלקטרומגנטי עלול להשפיע על קצב הלב או ההתקן הדומה. יש להיוועץ ברופא או ביצרן קוצב הלב או ההתקן הדומה כדי לקבל מידע נוסף אודות השפעות השדה האלקטרומגנטי של משטח העבודה הפועל באימונציה.

הורד את חוברת ההוראות המלאה מהכתובת <http://docs.hotpointeu> או התקשר למספר הטלפון המופיע על-גבי חוברת האחריות.

יש לקרוא בעיון את הוראות הבטיחות האלה לפני השימוש במכשיר. יש לשמור אותם בקרבת מקום לעיון עתידי.

ההוראות והמכשיר עצמו מכילים אזהרות בטיחות חשובות. יש לקרוא אותן ולהישמע להן בכל עת. היצרן מתנער בזאת מכל חבות בגין אי-ציות להוראות הבטיחות, שימוש לא הולם במכשיר או הגדרה לא נכונה של אמצעי הבקרה.

⚠ אזהרה: אין להשתמש בכיריים כאשר המשטח סדוק - סכנת התחשמלות.

⚠ אזהרה: סכנת שריפה: אין לאחסן פריטים על משטחי בישול. ⚠ זהירות: יש להשגיח על המכשיר בזמן הבישול או האפייה. כשזמן הבישול או האפייה קצר יש להשגיח על התנור כל הזמן.

⚠ אזהרה: בישול עם שמן או שומן על הכיריים ללא השגחה עלול להיות מסוכן - סכנת שריפה. לעולם אין לנסות לכבות שרפה במים: במקום זאת, יש לכבות את המכשיר, ולאחר מכן לכסות את הלהבה למשל במכסה או בשמיכה נגד שריפות.

⚠ אין להשתמש בכיריים כאמצעי תמיכה או כמשטח עבודה. יש להרחיק בגדים או חומרים דליקים מהמכשיר עד שכל החלקים שלו התקררו לגמרי - סכנת שריפה.

⚠ יש להרחיק ילדים קטנים (גילאי 0-3) מהמכשיר. יש להרחיק ילדים קטנים (גילאי 3-8) מהמכשיר, אלא אם הם בפיקוח רציף.

ילדים בני 8 ומעל, אנשים עם מוגבלויות פיזיות, חושיות או מנטליות או אנשים חסרי ניסיון וידע רשאים להשתמש במכשיר רק אם משגיחים עליהם או אם הם הודרכו לגבי שימוש בטוח במכשיר והם מבינים את הסכנות הכרוכות בכך. אין לאפשר לילדים לשחק במכשיר. ניקוי ותחזוקת משתמש לא יבוצעו על-ידי ילדים ללא השגחה.

⚠ אזהרה: המכשיר וחלקיו הנגישים מתחממים בזמן השימוש. יש להיזהר שלא לגעת ברכיבי חימום. יש להרחיק ילדים מתחת לגיל 8 אלא אם כן משגיחים עליהם באופן רציף.

#### שימוש מורשה

⚠ זהירות: המכשיר לא נועד להפעלה באמצעות התקן הפעלה חיצוני כגון טיימר או באמצעות מערכת נפרדת לשליטה מרחוק.

⚠ מכשיר זה מיועד לשימוש ביתי וליישומים דומים, כגון: מטבחי עובדים בחנויות, משרדים וסביבות עבודה אחרות; בתי חווה; על-ידי לקוחות בבתי-מלון, מוטלים, צימרים וסביבות מגורים אחרות.

⚠ אין להשתמש בו למטרות אחרות כלשהן (למשל חימום חדר). ⚠ מכשיר זה אינו מיועד לשימוש מקצועי. אין להשתמש במכשיר תחת כיפת השמיים.

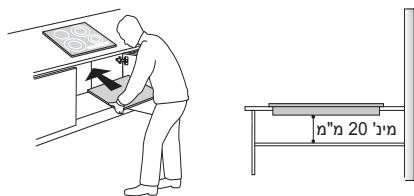
#### התקנה

⚠ לטיפול במכשיר ולהתקנתו דרושים שני אנשים או יותר - סכנת פציעה. השתמש בכפפות מגן לפתיחת הארזה ולהתקנה - סכנת חתכים.

⚠ התקנה, כולל אספקת מים (במקרה הצורך), חיבורי חשמל ותיקונים יבוצעו על-ידי טכנאי מוסמך. אין לתקן ואין להחליף חלקים של המכשיר, אלא אם כן הדבר מצוין במפורש במדריך למשתמש. יש להרחיק ילדים מאתר ההתקנה. לאחר הוצאת המכשיר מהאריזה, ודא שלא נגרם לו זקק במהלך ההובלה.

במקרה של בעיות, יש ליצור קשר עם הספק או עם מרכז השירות שלאחר מכירה הקרוב. לאחר ההתקנה, יש להרחיק את פסולת האריזה (פלסטיק, חלקי קלקר וכו') מהישג ידם של ילדים - סכנת



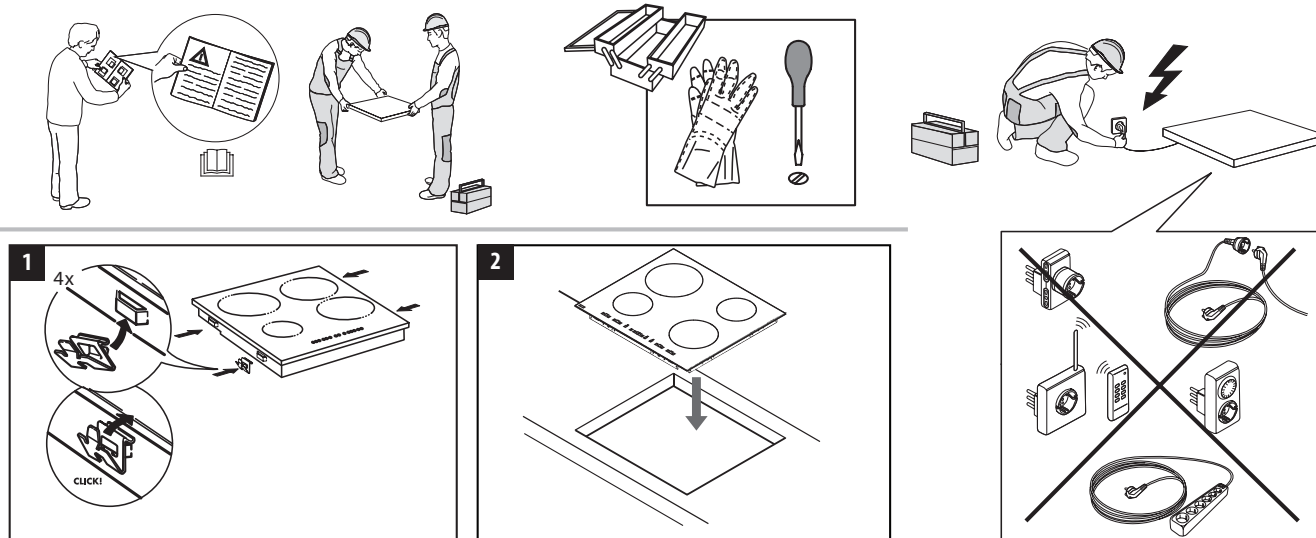


- יש להציב את הכיריים על משטח עבודה בעומק של 20 מ"מ לפחות.
- אסור שיהיה דבר בין משטח הבישול לתנור (מסילות רוחב, זוויות וכו').
- יש לוודא שכבל החשמל ארוך מספיק כדי לאפשר התקנה נוחה.
- על המרחק בין הפנים התחתונות של הכיריים מזכוכית קרמית לארון או ללוח המפריד להיות לפחות 20 מ"מ.
- למידות מובנות והתקנה יש לעיין בתמונה שבפסקה זו.
- יש לשמור על מרחק מינימלי בין בכיריים למנדף שמעליו. למידע נוסף יש לעיין במדריך של המנדף.
- הנח את האטם המצורף על משטח הבישול (אלא אם הוא כבר הותקן) לאחר ניקוי המשטח.
- לא להתקין את משטח הבישול מעל מדיח או מכונת כביסה, כדי שהמעגלים האלקטרוניים לא יהיו חשופים לאדים או ללחות שעלולים לגרום להם נזק.

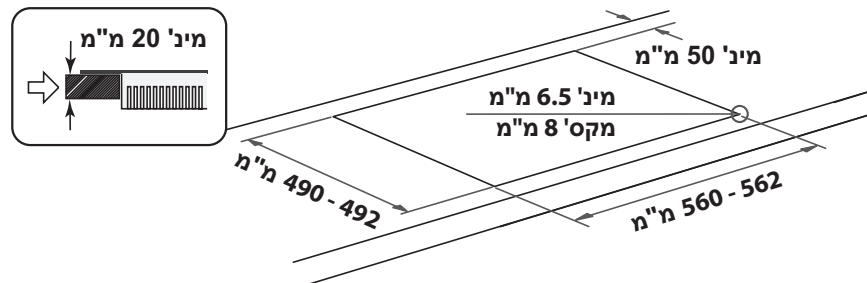
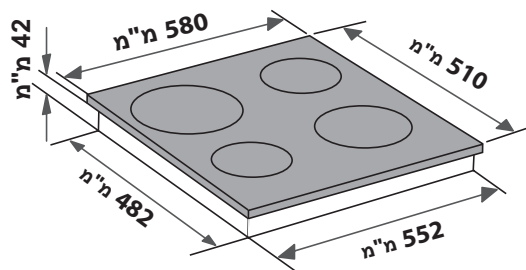
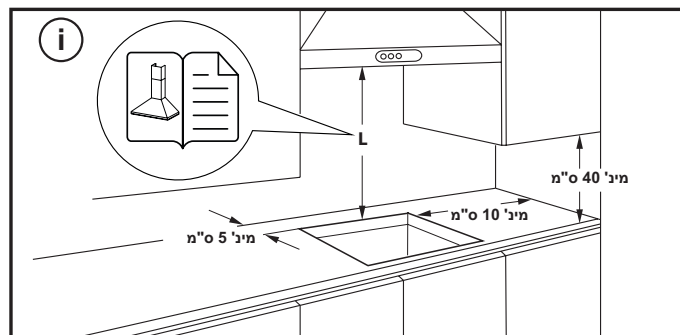
אם מותקן תנור מתחת לכיריים, יש לוודא שהוא מצויד במערכת קירור. אם הטמפרטורה של המעגלים האלקטרוניים תעלה על הטמפרטורה המקסימלית המותרת הכיריים ייכבו באופן אוטומטי; במקרה כזה יש להמתין מספר דקות עד שהטמפרטורה הפנימית של המעגלים האלקטרוניים תגיע לרמה נסבלת ואז יהיה ניתן להפעיל שוב את הכיריים

## מיקום הכיריים

לאחר חיבור החשמל (יש לעיין בפרק 'חיבור חשמלי'), מקם את תפסי הקיבוע בחריצים המיועדים לכך בצדדים הרחביים של הכיריים כפי שמוצב בתמונה. לאחר מכן דחוף את הכיריים לתוך החלק שנחתך החוצה וודא שהזכוכית שטוחה ומקבילה למשטח העבודה. תפסי הקיבוע מיועדים לכל סוג משטח (עץ, שיש וכו').



## מידות ומרחקי בטיחות



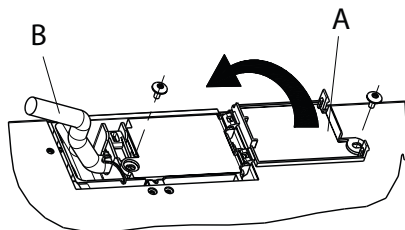
## הסרת הכיריים:

להסרת הכיריים יש ראשית לנתקם מהחשמל. מומלץ מאוד לשחרר את החלק שמתחת מהתנור, מהמגירה, מהמחיצה או מכלחפץ אחר. דבר זה מאפשר לטכנאי לגשת לחלק התחתון של הכיריים כדי לשחרר את ארבעת התפסים עם מברג, להרים את הכיריים ולהסיר אותם מבלי לגרום נזק לשיש.

יש לבצע את החיבור החשמלי לפני חיבור המכשיר לאספקת המתח. כבל החשמל אינו כלול בחבילה - זכרו להכין כבל חשמל משלכם. ההתקנה תבוצע על-ידי מתקין מוסמך המכיר היטב את תקנות הבטיחות וההתקנה העדכניות. בפרט, על ההתקנה להיות מבוצעת בהתאם לתקנות ספק החשמל המקומי. יש לוודא שהמתח הנקוב בלוחית המידע שבתחתית המכשיר זהה למתח אספקת החשמל בבית. התקנות מחייבות הארקה של המכשיר: יש להשתמש במוליכים (כולל מוליך ההארקה) בגודל המתאים בלבד.

## חיבור ללוח ההדקים

עבור חיבור החשמל, יש להשתמש בכבל F-RR50H או F-2V2V50H כפי שמצוין בטבלה שלהלן.



מוליכים כמות x גודל	מתח אספקה
4 x 3 מ"מ <sup>ר</sup>	220-240V ~ +
4 x 3 מ"מ <sup>ר</sup> (אוסטרליה בלבד)	230-240V ~ +
1.5 x 4 מ"מ <sup>ר</sup>	220-240V 3~ +
1.5 x 5 מ"מ <sup>ר</sup>	380-415V 3N~ +
1.5 x 4 מ"מ <sup>ר</sup>	380-425V 2N~ +

יש לחבר את המכשיר לאספקת החשמל באמצעות מפסק רב קוטבי עם מרווח מגעים מינימלי של 3 מ"מ.

**שים לב:** על כבל החשמל להיות מספיק ארוך כדי לאפשר הסרה של משטח הבישול ממשטח העבודה ועליו להיות ממוקם כך שלא יינזק או יתחמם יותר על המידה כתוצאה ממגע עם הבסיס.

**הערה:** יש לחבר את החוט הצהוב/ירוק של ההארקה להדק בעל הסימן ועליו להיות ארוך יותר מהחוטים האחרים. חשוף בערך 70 מ"מ מבידוד כבל אספקת המתח (B).

- יש להסיר כ-10 מ"מ מהבידוד של הגידים. לאחר מכן הכנס את כבל אספקת החשמל לתוך תפס הכבל וחבר את הגידים ללוח ההדקים כפי שמתואר בתרשים החיבורים שמופיע ליד לוח ההדקים עצמו.
- הדק את כבל המתח (B) באמצעות תפס הכבל.
- סגור את לוח ההדקים באמצעות המכסה (A) והדק אותו באמצעות הבורג שסופק.
- לאחר החיבור לחשמל, התקן את הכיריים מלמעלה וחבר אותם לקפיצי התמיכה בהתאם לאיור.

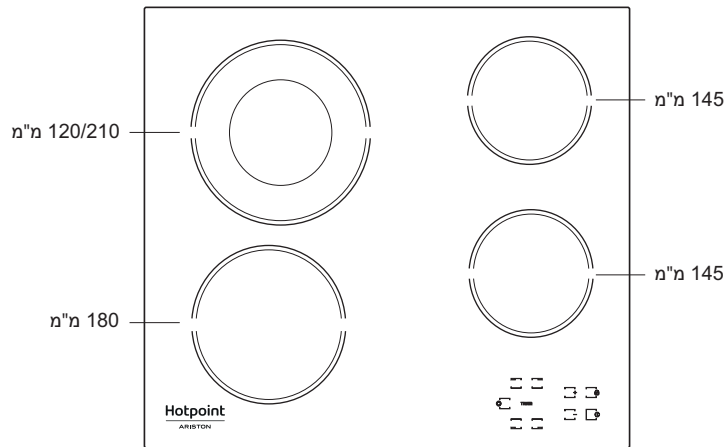


אנא סרוק את קוד ה-RQ במכשיר שלך  
למידע נוסף

תודה שקנית מוצר של WHIRLPOOL  
כדי לקבל חווית סיוע שלמה יותר, יש לרשום את המוצר בכתובת  
[www.hotpoint.eu/register](http://www.hotpoint.eu/register)

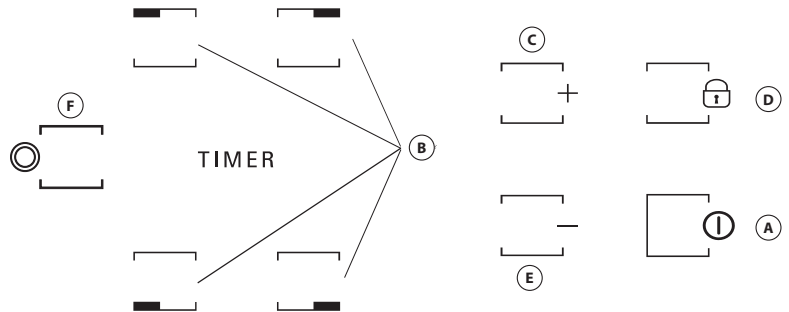


לפני השימוש במכשיר יש לקרוא בעיון את הוראות הבטיחות.



## לוח בקרה

הפעלה/כיבוי	A
בחירת אזור בישול וטיימר	B
הגברה והחלשה של עוצמת החום	E-C
נעילה	D
הפעלה/השבתה של ריבוי אזורים	F



## שימוש ראשון

ה-LED התואמת תכבה.  
**הערה:** במקרה של איפוס יש לחזור על התהליך המתואר לעיל.

לאחר ההתקנה הראשונית, לוח הבקרה מבצע בדיה פונקציונליות למשך כשנייה, ולאחר מכן הוא עובר לפונקציה 'נעילת מקשים'.  
כדי להשבית את הפונקציה, לחץ והחזק את הלחצן 'D'; ישמע צליל אקוסטי ונורית

## שימוש יומיומי

- כדי להשבית את ריבוי האזורים, לחץ על הלחצן 'B' של האזור הרצוי, ולאחר מכן לחץ שוב על 'F'.

### קוצב זמן

כדי להגדיר את פונקציית הטיימר, בחר את אזור הבישול הרצוי ואת העוצמה, ולאחר מכן לחץ שוב על מקש אזור הבישול ונקודה זוהרת תופיע בתצוגה של אזור הבישול הנשלט על-ידי הטיימר. החיווי "00" מהבהב בשתי התצוגות. לחץ על הלחצנים "C" או "E" כדי להגדיר את הזמן בין 1 לבין 99.

**חשוב:** אחרי 10 שניות הטיימר יציג את הגדרת העוצמה של שאר אזוקי הבישול. כדי לצפות בזמן הבישול הנותר, לחץ פעמיים על מקש אזור הבישול המבוקר בטיימר.

### פונקציה A

פונקציה זו מאפשרת להקטין אוטומטית את עוצמת משטח הבישול מהערך הגבוה ביותר (רמה 9) לעוצמה שנבחרת על ידי המשתמש לשלב מאוחר יותר של הבישול.

כדי להפעיל פונקציה זו יש תחילה ללחוץ על הכפתור "+" כאשר מגיעים לרמה 9. התצוגה מציגה את הסימון "A" ו-"9" שמהבהב לסירוגין בבהירות נמוכה. בשלב זה יש לבחור את העוצמה הרצויה (פחות מ-9) באמצעות הלחצן "-". הסמל "A" והרמה שנבחרה מהבהבים לסירוגין בתצוגה בבהירות נמוכה. הפונקציה מופעלת פעם אחת "A" והרמה שנבחרה מהבהבת לסירוגין בתצוגה בבהירות גבוהה.

### הפעלה וכיבוי של הכיריים

כדי להפעיל את הכיריים, החזק את הלחצן "A" לחוץ למשך כשתי שניות. התצוגה של 4 אזורי הבישול מראה "0". אם אף אזור בישול לא יופעל תוך 20 שניות, הכיריים ייכבו באופן אוטומטי כאמצעי זהירות.

### הפעלה וכוונן אזורי בישול

לחץ על אחד הלחצנים "B" התואמים לאזור הבישול בו אתה רוצה להשתמש. בחר את עוצמת החום באמצעות הלחצנים E או "C". הגדרות הבישול האחרות שניתן לבחור הן בין 1 ל-9. לחץ בו-זמנית על הלחצנים "+/-" כדי לבטל את כל ההגדרות.

**חשוב:** הבקרה מושבתת 10 שניות לאחר בחירת רמת החום. כדי לשנות את הגדרת החום, ראשית לחץ שוב על הלחצן "B", ולאחר מכן שנה את ההגדרה באמצעות הלחצנים "E" או "C".

### ריבוי אזורים

אחרי בחירתה אזור הרצוי והגדרת העוצמה (כפי שמתואר בסעיף הקודם), לחץ על "F". מחוון מעל ללחצן יאר ויפעיל את האזור הנוסף.

- ניתן להשתמש בריבוי אזורים רק אם:
- אזור הבישול כולל ריבוי אזורים;
- העוצמה שנבחרה גבוהה מ-0.

ברגע שהסמל "A" נעלם מהתצוגה (פונקציית "A" נכבית אוטומטית לאחר מספר דקות, בהתאם לרמת העוצמה שהוגדרה), תהליך הבישול ממשיך בעוצמה נמוכה יותר והתצוגה מציגה רק את רמת בעוצמה שנבחרה.  
**B.N**: בתצוגה.

- חשוב:** כדי למנוע נזק קבוע לכיריים:
- אין להשתמש בסירים בעלי תחתיות שאינן ישרות;
  - אין להשתמש בסירי ברזל בעלי תחתית אמיל;
  - אין להניח סירים/מחבתות חמים על לוח הבקרה.

הכיריים מצוידים גם בפונקציית "כיבוי אוטומטי" שמכבה את משטח הבישול אם לא נעשה שינוי ברמת העוצמה לאחר פרק זמן מסוים בהתאם להגדרת העוצמה עצמה. בטבלה מפורט משך הזמן של כל רמת עוצמה.

עוצמת חימום	זמן כיבוי אוטומטי
0	30 שניות
1	10 שעות
2	5 שעות
3	5 שעות
4	4 שעות
5	3 שעות
6	שעתיים
7	שעתיים
8	שעתיים
9	שעה אחת

### נעילת מקשים

כדי להפעיל את פונקציית נעילת המקשים, לחץ והחזק את הלחצן "D" עד שנקודה תידלק מעל לחצן הפונקציה. לוח הבקרה נעול מלבד תכונת הכיבוי. כדי לבטל את נעילת הפקדים, לחץ שוב על הלחצן "D" עד שהנקודה מעל לחצן הפונקציה נכבית.

הפונקציה נשארת מופעלת גם לאחר כיבוי הכיריים. במקרה זה, לאחר הפעלת הכיריים יש תחילה לבטל את פונקציית נעילת המקשים על ידי לחיצה על הכפתור "D" עד שהנקודה שמעל לחצן הפונקציה נכבית.

מים או נוזלים שנשפכו מסירים או חפצים כלשהם על הפקדים עלולים להפעיל או להשבית בטעות את נעילת המקשים.

### H חיווי חום שירי

כאשר מכבים את אזור הבישול, מחוון החום השירי "H" נשאר דולק או מהבהב לסירוגין עם 0 עד שטמפרטורת הכיריים חוזרת לתחום הבטיחות.

**חשוב:** תכונות הבטיחות של הכיריים כוללות פונקציית כיבוי אוטומטי. שימוש ממושך באותה עוצמת חום יגרום להפעלת הכיבוי האוטומטי עבור אזור הבישול (לדוגמה, לאחר כשעה בהגדרת החום המקסימלית, אזור הבישול ייכבה).

## טבלת עוצמות חימום

רמת שימוש (מציין ניסיון בבישול והרגלים)	סוג בישול	עוצמת חימום	
אידיאלי להגדלה מהירה של טמפרטורת המזון לרתיחה מהירה במקרה של מים או חימום מהיר של נוזלי בישול.	הרתחה	9	עוצמה חזקה
אידיאלי להשחמה, התחלת בישול, טיגון מוצרים קפואים, רתיחה מהירה.	צריבה	9 – 8	
אידיאלי להשחמה, שמירה על רתיחה גבוהה, בישול וצלייה (משך זמן קצר, 5-10 דקות).	השחמה – שמירה על רתיחה – צלייה	8 – 7	עוצמה גבוהה
אידיאלי לשמירה על רתיחה נמוכה, בישול וצלייה (משך בינוני, 10-20 דקות), חימום מוקדם וטיגון.	טיגון – בישול – צלייה	7 – 6	
אידיאלי לטיגון ביצים, חביתות.	טיגון עדין	6 – 5	עוצמה בינונית
אידיאלי לבישול ממושך (אורז, רטבים, צלי, דגים) עם נוזלים (כגון מים, יין, מרק, חלב), קרם פסטה.	בישול – רתיחה – בישול תבשיל עיבוי – הקרמת פסטה	5 – 4 4 – 3	
אידיאלי לשמירה על החום של מזון שזה עתה בושל (למשל, רטבים, מרקים, מינסטרונה), הקרמת ריזוטו ושמירה על מנות חמות.	שמירה על מזון חם – הקרמת ריזוטו	2 – 1	עוצמה חלשה
אידיאלי להפשרה של מוצרים קטנים ולהמסה עדינה של שוקולד או חמאה.	Defrosting	1	עוצמה מינימלית
הכיריים במצב המתנה או כבוי (אפשרות לחום שירי לאחר בישול, מסומן ב-H).	—	0	אפס עוצמה

## ניקוי ותחזוקה

- מלח, סוכר וחול עלולים לשרוט את משטח הזכוכית.
- יש להשתמש במטלית רכה, בנייר מטבח או בחומר מיוחד לניקוי כיריים (יש לעיין בהוראות היצרן).
- שפיכה של נוזל באזור הבישול עלולה לגרום לסירים לנוע או לרטוט.
- לאחר ניקוי הכיריים, יש לייבש אותם היטב.

⚠ יש לנתק את המכשיר מאספקת המתח.

- אל תשתמש במכשירי ניקוי באדים.
- אין להשתמש בספוגי ניקוי שוחקים מכיוון שהם גורמים נזק לזכוכית.
- לאחר כל שימוש יש לנקות את הכיריים (לאחר שהתקררו) כדי להסיר משקעים וכתמים של שאריות מזון.
- סוכר או מזונות בעלי תכולת סוכר גבוהה עלולים לגרום מים נזק לכיריים ויש להסירם מיד.



אם הכיריים לא פועלים לאחר שימוש אינטנסיבי, הטמפרטורה הפנימית של הכיריים גבוהה מדי. המתן מספר דקות עד להתקררות הכיריים.

אם תנור החימום אינו פועל באופן רציף אלא נדלק ונכבה באופן מחזורי גם אם בתצוגה רמת העיוצמה לא משתנה, זה חלק מהתפקוד הרגיל של הכיריים. מחזור ההדלקה/כיבוי מאפשר לווסת את עטצמת התנור והוא תקין לחלוטין. במקרים מסוימים, ההגנה התרמית עשויה לכבות את התנור לזמן מה כדי למנוע נזק לזכוכית. דוגמאות למקרים כאמור: בישול ממושך ברמת עוצמה גבוהה ושימוש בסירים קטנים מגוף החימום ובסירים עם תחתית שאינה שטוחה.

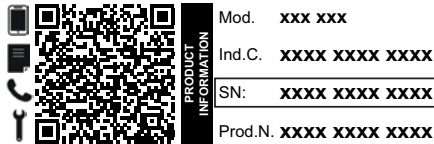
אם הכיריים משמיעים צפצוף קצר מבלי שהלקוח לוחץ על כפתורים כלשהם, יש לטפל בנזל שנשפך על ה-HMI. נא לייבש את ה-HMI ולהמשיך להשתמש בכיריים. אם הכיריים נכבים באופן אוטומטי, זה עשוי להיות תוצאה של נזלים על ה-HMI. נא לייבש את ה-HMI ולהדליק שוב את הכיריים.

אם התקלה נמשכת לאחר ביצוע כל הבדיקות המפורטות לעיל, צור קשר עם מרכז השירות שלאחר מכירה הקרוב למקום מגוריך.

- אם תפקוד הכיריים לקוי, היעזר בהנחיות לפתרון התקלות לפני ההתקשרות אל מרכז השירות לאחר מכירה כדי לברר מהי הבעיה.
- יש לקרוא את ההוראות בסעיף 'שימוש יומי' ולעקוב אחריהן.
- בדוק שאספקת החשמל לא נותקה.
- יש לייבש את הכיריים היטב לאחר הניקוי.
- אם נבחר אזור בישול ומופיע **F** או **ER** בתצוגה ואחריו מספר, יש ליצור קשר עם השירות לאחר המכירה וליידע אותם על כך.
- אם קוד השגיאה הוא **F03**, **F03** או **ER03**, נסה לפתור את זה על ידי ביצוע ההוראות הבאות:
  - אם מופיעה השגיאה **E02**, אנא ודא שלא לחצת על כפתורים במשך יותר מ-5 שניות, ש אין חפץ על משטח ה-HMI ושהוא נקי ויבש - בעת ניקוי פעל על פי הוראות התחזוקה והניקוי.
  - אם מופיעה השגיאה **F03**, נסה לכבות ולהדליק שוב את הכיריים.
  - אם מופיעה השגיאה **F04**, פנה לשירות לקוחות והודע להם איזה קוד מוצג.

## שירות לאחר המכירה

- המספר הידורי (מספר לאחר המילה SN בלוחית הדירוג שמצאת מתחת למכשיר). המספר הידורי גם מצוין בתיעוד;



- כתובתך המלאה;
- מספר הטלפון שלך.

אם יש צורך בתיקון כלשהו, יש ליצור קשר עם השירות שלאחר המכירה (כדי להבטיח שימוש בחלפים מקוריים ושהתיקונים יתבצעו כהלכה).

על-מנת לקבל סיוע שלם יותר, יש לרשום את המוצר בכתובת [www.hotpoint.eu/register](http://www.hotpoint.eu/register).

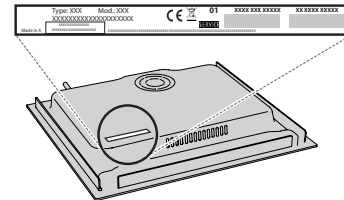
לפני יצירת קשר עם השירות שלאחר המכירה:

- יש לבדוק אם יש באפשרותך לפתור את הבעיה בעזרת ההצעות במדריך לפתרון בעיות.
- כבה אתה מכשיר והפעל אותו שוב ובדוק אם התקלה נמשכת.

אם התקלה נמשכת לאחר ביצוע כל הבדיקות המפורטות לעיל, צור קשר עם מרכז השירות שלאחר המכירה הקרוב למקום מגוריך.

על-מנת לקבל סיוע, יש להתקשר למספר המופיע על חוברת האחריות או לעקוב אחר ההוראות שבאתר [www.hotpoint.eu](http://www.hotpoint.eu).

- בעת יצירת קשר עם השירות שלאחר המכירה, תמיד יש לציין:
- תיאור קצר של התקלה;
- סוג ודגם מדויקים של המכשיר;



ניתן למצוא את כתבי המדיניות, תיעוד רגיל ומידע נוסף על המוצר על-ידי:



- שימוש בקוד RQ במכשיר שלך;
- בקרו באתר שלנו [eu.hotpoint.docs](http://eu.hotpoint.docs);
- לחלופין, יש ליצור קשר עם השירות לאחר המכירה (ראה מספר טלפון בחוברת האחריות). בכל פנייה למוקד שירות הלקוחות שלנו יש לציין את הקודים שרשומים על גבי לוחית הזיהוי של המוצר.