

SAFETY INSTRUCTIONS

Download the complete instruction manual on <http://docs.hotpoint.eu> or call the phone number shown on the warranty booklet.

Before using the appliance, read these safety instructions. Keep them nearby for future reference.

These instructions and the appliance itself provide important safety warnings, to be observed at all times. The manufacturer declines any liability for failure to observe these safety instructions, for inappropriate use of the appliance or incorrect setting of controls.

⚠ WARNING: If the hob surface is cracked, do not use the appliance - risk of electric shock.

⚠ WARNING: Danger of fire: Do not store items on the cooking surfaces.

⚠ CAUTION: The cooking process has to be supervised. A short cooking process has to be supervised continuously.

⚠ WARNING: Unattended cooking on a hob with fat or oil can be dangerous - risk of fire. NEVER try to extinguish a fire with water: instead, switch off the appliance and then cover flame e.g. with a lid or a fire blanket.

⚠ Do not use the hob as a work surface or support. Keep clothes or other flammable materials away from the appliance, until all the components have cooled down completely - risk of fire.

⚠ Very young children (0-3 years) should be kept away from the appliance. Young children (3-8 years) should be kept away from the appliance unless continuously supervised. Children from 8 years old and above and persons with reduced physical, sensory or mental capabilities or lack of experience and knowledge can use this appliance only if they are supervised or have been given instructions on safe use and understand the hazards involved. Children must not play with the appliance. Cleaning and user maintenance must not be carried out by children without supervision.

⚠ WARNING: The appliance and its accessible parts become hot during use. Care should be taken to avoid touching heating elements. Children less than 8 years of age shall be kept away unless continuously supervised.

PERMITTED USE

⚠ CAUTION: the appliance is not intended to be operated by means of an external switching device, such as a timer, or separate remote controlled system.

⚠ This appliance is intended to be used in household and similar applications such as: staff kitchen areas in shops, offices and other working environments; farm houses; by clients in hotels, motels, bed & breakfast and other residential environments.

⚠ No other use is permitted (e.g. heating rooms).

⚠ This appliance is not for professional use. Do not use the appliance outdoors.

INSTALLATION

⚠ The appliance must be handled and installed by two or more persons - risk of injury. Use protective gloves to unpack and install - risk of cuts.

IMPORTANT TO BE READ AND OBSERVED

⚠ Installation, including water supply (if any), electrical connections and repairs must be carried out by a qualified technician. Do not repair or replace any part of the appliance unless specifically stated in the user manual. Keep children away from the installation site. After unpacking the appliance, make sure that it has not been damaged during transport. In the event of problems, contact the dealer or your nearest After-sales Service. Once installed, packaging waste (plastic, styrofoam parts etc.) must be stored out of reach of children - risk of suffocation. The appliance must be disconnected from the power supply before any installation operation - risk of electric shock. During installation, make sure the appliance does not damage the power cable - risk of fire or electric shock. Only activate the appliance when the installation has been completed.

⚠ Carry out all cabinet cutting operations before fitting the appliance and remove all wood chips and sawdust.

⚠ If the appliance is not installed above an oven, a separator panel (not included) must be installed in the compartment under the appliance.

ELECTRICAL WARNINGS

⚠ It must be possible to disconnect the appliance from the power supply by unplugging it if plug is accessible, or by a multi-pole switch installed upstream of the socket in accordance with the wiring rules and the appliance must be earthed in conformity with national electrical safety standards.

⚠ Do not use extension leads, multiple sockets or adapters. The electrical components must not be accessible to the user after installation. Do not use the appliance when you are wet or barefoot. Do not operate this appliance if it has a damaged power cable or plug, if it is not working properly, or if it has been damaged or dropped.

⚠ Installation using a power cable plug is not allowed unless the product is already equipped with the one provided by the Manufacturer.


⚠ If the supply cord is damaged, it must be replaced with an identical one by the manufacturer, its service agent or similarly qualified persons in order to avoid a hazard - risk of electric shock.

CLEANING AND MAINTENANCE

⚠ WARNING: Ensure that the appliance is switched off and disconnected from the power supply before performing any maintenance operation; never use steam cleaning equipment - risk of electric shock.

⚠ Do not use abrasive or corrosive products, chlorine-based cleaners or pan scourers.

DISPOSAL OF PACKAGING MATERIALS

The packaging material is 100% recyclable and is marked with the recycle symbol .


The various parts of the packaging must therefore be disposed of responsibly and in full compliance with local authority regulations governing waste disposal.

DISPOSAL OF HOUSEHOLD APPLIANCES

This appliance is manufactured with recyclable or reusable materials. Dispose of it in accordance with local waste disposal regulations. For further information on the treatment, recovery and recycling of household electrical

appliances, contact your local authority, the collection service for household waste or the store where you purchased the appliance. This appliance is marked in compliance with European Directive 2012/19/EU, Waste Electrical and Electronic Equipment (WEEE) and with the Waste Electrical and Electronic Equipment regulations 2013 (as amended).

By ensuring this product is disposed of correctly, you will help prevent negative consequences for the environment and human health.

The symbol  on the product or on the accompanying documentation indicates that it should not be treated as domestic waste but must be taken to an appropriate collection center for the recycling of electrical and electronic equipment.

ENERGY SAVING TIPS

Make the most of your hot plate's residual heat by switching it off a few minutes before you finish cooking.

The base of your pot or pan should cover the hot plate completely; a container that is smaller than the hot plate will cause energy to be wasted.

Cover your pots and pans with tight-fitting lids while cooking and use as little water as possible. Cooking with the lid off will greatly increase energy consumption.

Use only flat-bottomed pots and pans.

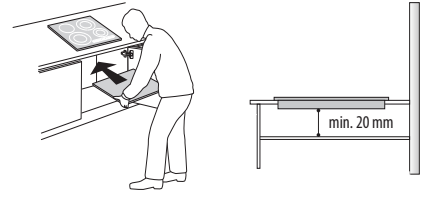
DECLARATION OF CONFORMITY

This appliance meets Ecodesign requirements of European Regulation 66/2014 and The Ecodesign for Energy-Related Products and Energy Information (Amendment) (EU Exit) Regulations 2019 in compliance with the European standard EN 60350-2.



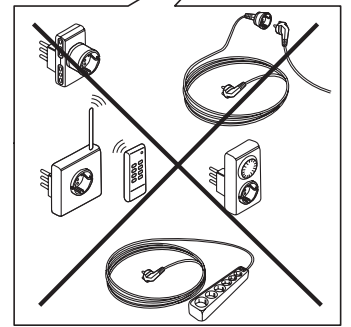
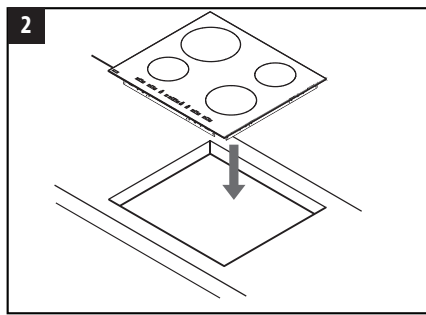
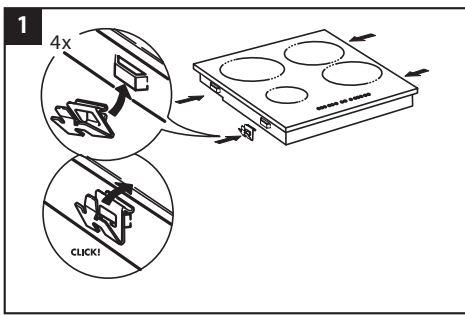
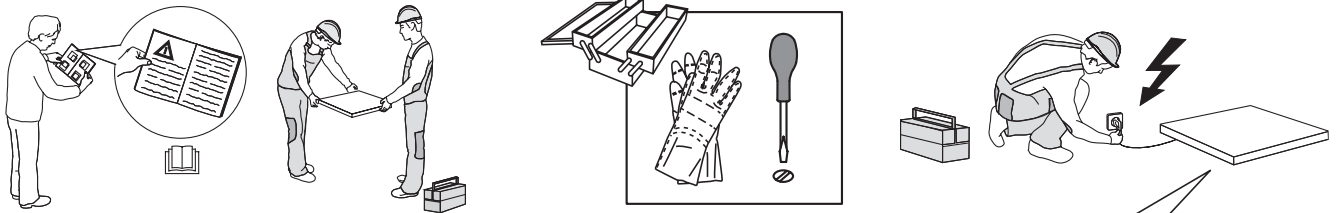
INSTALLATION

- The cooktop must be set into a worktop at least 20 mm deep.
- There must be nothing between the cooktop and the oven (cross rails, brackets, etc.).
- Make sure the power cord is long enough to allow convenient installation.
- The distance between the lower face of the glass-ceramic hob and the cupboard or separating panel must be at least 20 mm.
- For built-in dimensions and installation, see the picture in this paragraph.
- A minimum distance must be maintained between the hob and the hood above it. Please refer to the user manual of the hood for more information.
- Apply the supplied gasket to the cooktop (unless it has already been fitted) after cleaning its surface.
- **Do not install the cooktop near a dishwasher or washing machine so that the electronic circuits do not contact with steam or moisture, which could damage them.**
- If an oven is installed beneath the cooktop, make sure that it is equipped with a cooling system. If the temperature of the electronic circuits exceeds the maximum permitted temperature, the cooktop will switch off automatically; in this case, wait for a few minutes until the internal temperature of the electronic circuits reaches a tolerable level, at which point it will be possible to switch the hob on again.

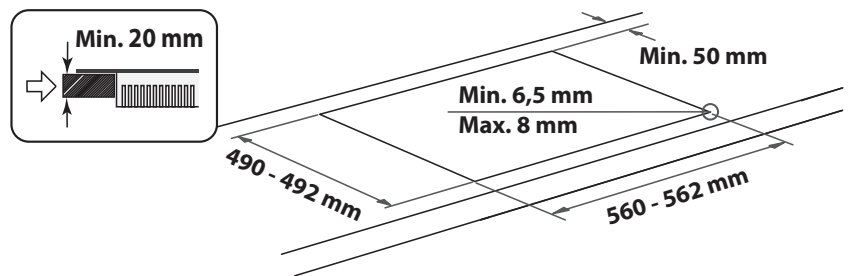
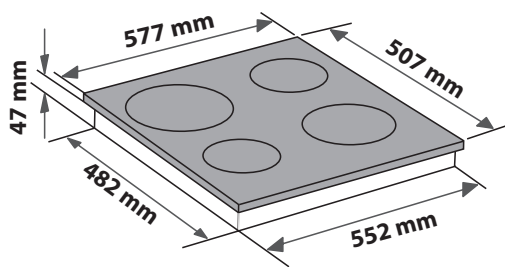
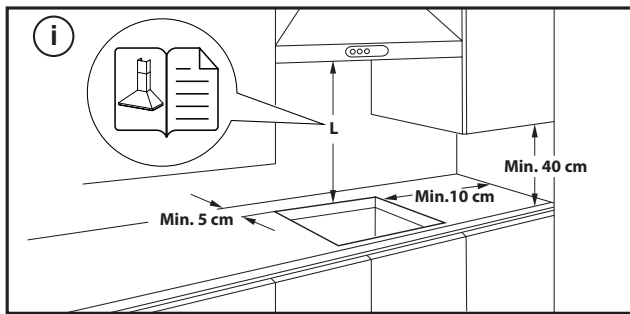


PLACING THE HOB

After the electrical connection (see the chapter "Electrical connection"), position each fixing clips on the dedicated slots on the hob's lateral sides as shown in the picture. Then push the hob inside the cut-out and check that the glass is flat and parallel to the worktop. The fixing clips are designed for every type of worktop material (wood, marble, etc.).



DIMENSIONS AND DISTANCES TO BE MAINTAINED



REMOVING THE HOB:

To remove the hob, first, disconnect it from the electric supply. It is strongly recommended to free the underneath part from the oven, drawer, separator, or other. It allows the technician to access the lower part of the hob to unfasten the four clips with a screwdriver, lift the hob and remove it, avoiding any worktop damage.

ELECTRICAL CONNECTION

Electrical connection must be made before connecting the appliance to the electricity supply.

The power cord is not included in the package - remember to prepare your own power cord.

Installation must be carried out by qualified personnel who know the current safety and installation regulations. Specifically, installation must be carried out in compliance with the regulations of the local electricity supply company.

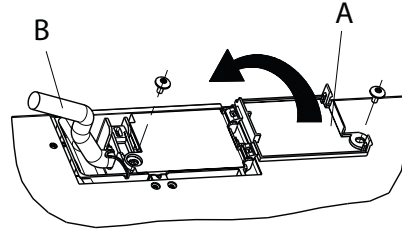
Make sure the voltage specified on the data plate located on the bottom of the appliance is the same as that of the home.

Regulations require that the appliance be earthed: use conductors (including the earth conductor) of the appropriate size only.

CONNECTION TO THE TERMINAL BLOCK

For the electrical connection, use an H05RR-F or H05V2V2-F cable as specified in the table below.

SUPPLY VOLTAGE	CONDUCTORS AMOUNT x SIZE
220-240V ~+ ⊕	3 x 4 mm ²
230-240V ~+ ⊕	3 x 4 mm ² (Australia only)
220-240V 3~+ ⊕	4 x 1,5 mm ²
380-415V 3N~+ ⊕	5 x 1,5 mm ²
380-425V 2N~+ ⊕	4 x 1,5 mm ²



The appliance must be connected to the electricity supply by means of an all-pole disconnect switch with minimum contact gap of 3 mm.

ATTENTION: the power supply cable must be long enough to allow the cooktop to be removed from the worktop and must be positioned so as to avoid damage or overheating caused by contact with the base.

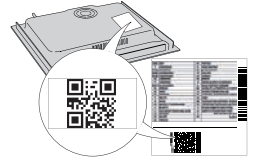
NOTE: the yellow/green earth wire must be connected to the terminal with the symbol ⊕ and must be longer than the other wires.

- Remove approx. 70 mm of the cable sheath from the power supply cable (B).
- Strip approx. 10 mm of sheath from the wires. Then insert the power supply cable into the cable clamp and connect the wires to the terminal block as indicated in the connection diagram placed close to the terminal block itself.
- Secure the power supply cable (B) by means of the cable clamp.
- Close the terminal board with the cover (A) securing it with the screw provided.
- After the electrical connection, fit the hob from the top and hook it to the support springs, according to the illustration.



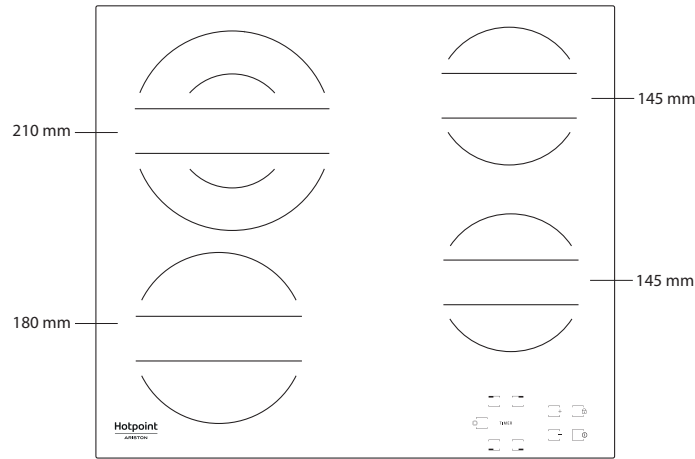
THANK YOU FOR BUYING A WHIRLPOOL PRODUCT
In order to receive a more complete assistance, please register your product on www.hotpoint.eu/register.

PLEASE SCAN THE QR CODE ON YOUR APPLIANCE IN ORDER TO REACH MORE INFORMATION

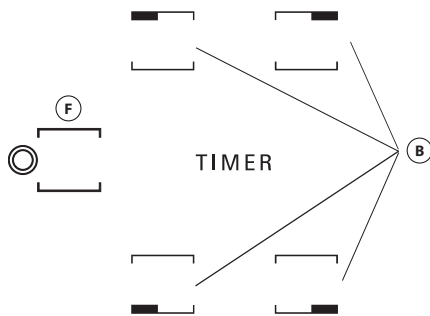


Before using the appliance carefully read the Safety Instruction.

PRODUCT DESCRIPTION



CONTROL PANEL



- A** On/Off
- B** Cooking zone and timer selection
- C-E** Heat setting increase and decrease
- D** Key lock
- F** Multiple zone Activation / Deactivation

FIRST TIME USE

Upon the first installation, the control panel performs a functional test for about 1 second, after which it automatically switches to the "Key lock" function.

To deactivate the function, press and hold button "D"; an acoustic signal will sound, and the corresponding led will turn off.

NOTE: If a reset occurs, repeat the procedure described above.

DAILY USE

1 SWITCHING THE HOB ON/OFF

To switch the hob on, keep button "A" pressed for approx. 2 seconds. The 4 cooking zone displays show "0". If within 20 seconds none of the cooking zones is activated, the hob switches off automatically as a safety precaution.

SWITCHING ON AND ADJUSTING COOKING ZONES

Press one of the buttons "B" corresponding to the cooking zone you intend to use. Select the heat setting required with buttons "E" or "C". The other selectable cooking settings go from 1 to 9. Press buttons "+/-" at the same time to cancel all settings.

IMPORTANT: the control is deactivated 10 seconds after the heat setting has been selected.

To change the heat setting, first press the selection button "B" again, then proceed to change the setting, using buttons "E" or "C".

2 MULTIPLE ZONE

After selecting the desired zone and setting the level (as described in the previous section) press "F": an indicator above the button turns on, activating the additional zone.

The multiple zone can only be used if:

- The cooking zone is provided with multiple zone;
- The power level selected is greater than 0.

To deactivate the multiple zone, press button "B" of the desired zone, then press "F" again.

TIMER

To set the Timer function, select the desired cooking zone and power setting then press the cooking zone key again and a luminous dot will appear on the display of the timer-controlled cooking zone. The indication "00" blinks on the 2 displays. Press buttons "C" or "E" to set the time from 1 to 99.

IMPORTANT: after 10 seconds the timer displays will show the power setting of the other cooking zones.
To view the remaining cooking time, press the timer-controlled cooking zone key twice.

A FUNCTION

This function allows to automatically decrease the cooking zone power level from the highest value (level 9) to the one selected by the user for a later stage of cooking.

To activate this function first press the “+” button when level 9 is reached. The display shows “A” and “9” flashes alternately with low brightness. At this point, choose the desired power level (less than 9) with the “-” button. “A” and selected level flash alternately with low brightness on the display. The function is activated once “A” and the selected level flash alternately with high brightness on the display.

Once “A” is no longer visible on the display (the “A” function switches off automatically after several minutes, depending on the set power level), the cooking process continues with lower power and the display shows only the selected power level.

N.B.: this function is not possible with level 9.



KEY LOCK

The Key lock function is switched on by holding down button “D” until a dot lights up above the function button. The control panel is locked except for the switching-off function. The function remains on even after the hob is switched off and on again and can be deactivated by pressing button “D” again until the dot above the function button goes off.

When the hob is off with the key lock activated to switch the hob on, first deactivate the key lock function by pressing button “D” again until the dot above the function button goes off.

The presence of water, liquid spilled from pots or any objects resting on the controls can accidentally activate or deactivate the Key lock function.



RESIDUAL HEAT INDICATOR

When the cooking zone is switched off, the residual heat indicator “H” remains on or flashes alternating with “0” until the temperature of the hob returns within safety levels.

IMPORTANT: The hob’s safety features include an automatic switching off function. Prolonged use of the same heat setting triggers automatic switch-off of the cooking zone (for example, after around 1 hour at maximum heat setting, the cooking zone switches off).

IMPORTANT: To avoid a permanent damage the hob:

- do not use pots with bottoms that are not flat;
- do not use metal pots with enamelled bottom;
- do not place hot pots/pans over the control panel.

The hob is also equipped with the “auto shut off” function that switches off the cooking zone if no power level modification is done after a specific time frame depending on the power setting itself. In the table, there is the time duration of each power level.

POWER LEVEL	AUTO SHUT OFF TIME
0	30 seconds
1	10 hours
2	5 hours
3	5 hours
4	4 hours
5	3 hours
6	2 hours
7	2 hours
8	2 hours
9	1 hour

COOKING TABLE

POWER LEVEL		TYPE OF COOKING	LEVEL USE (indicating cooking experience and habits)
Maximum power	9	Boiling	Ideal for rapidly increasing the food temperature to fast boiling in the case of water or rapidly heating cooking liquids.
	9 – 8	Searing	Ideal for browning, starting to cook, frying frozen products, fast boiling.
High power	8 – 7	Browning – maintain boiling – grilling	Ideal for browning, maintaining a high boil, cooking, and grilling (short duration, 5-10 minutes).
	7 – 6	Frying – cooking – grilling	Ideal for maintaining a low boil, cooking and grilling (medium duration, 10-20 minutes), preheating, and frying.
Medium power	6 – 5	Gentle frying	Ideal for frying eggs, omelettes.
	5 – 4	Cooking – simmering – stewing	Ideal for prolonged cooking (rice, sauces, roasts, fish) with liquids (e.g., water, wine, broth, milk), creaming pasta.
	4 – 3	Thickening – creaming pasta	
Low power	2 – 1	Keeping food hot – creaming risottos	Ideal for keeping just-cooked food hot (e.g., sauces, soups, minestrone), creaming risottos and keeping serving dishes warm.
Minimum power	1	Defrosting	Ideal for defrosting small products and gently melting chocolate or butter.
Zero power	0	–	Hob in stand-by or off mode (possible end of cooking residual heat, indicated by an “H”).

CLEANING AND MAINTENANCE

Disconnect the appliance from the power supply.

- Do not use steam cleaning equipment.
- Do not use abrasive sponges or scouring pads as they may damage the glass.
- After each use, clean the hob (when it is cool) to remove any deposits and stains from food residue.

- Sugar or foods with a high sugar content can damage the hob and must be immediately removed.
- Salt, sugar and sand could scratch the glass surface.
- Use a soft cloth, absorbent kitchen paper or a specific hob cleaner (follow the Manufacturer's instructions).
- Spills of liquid in the cooking zones can cause the pots to move or vibrate.
- After cleaning the hob, dry thoroughly.

TROUBLESHOOTING

If the hob does not operate correctly, before calling the After-Sales Service, refer to the Troubleshooting Guide to determine the problem.

- Read and follow the instructions given in the section "Daily use".
- Check that the electricity supply has not been shut off.
- Dry the hob thoroughly after cleaning it.
- If a cooking zone has been selected and an "F" or an "ER" appear on the display followed by a number, contact the After Sales Service and inform them.
- If the error code is "F03", "ER03" or "E02", try to solve it by following these instructions:
 - If the error "E02" appears, please make sure you haven't been pressing buttons for more than 5 seconds, no object is on the HMI area and that it's clean and dry - when cleaning, please follow the "Cleaning and Maintenance" paragraph.
 - If the error "F03" appears, try turning the cooktop off and on again.
 - If the error "F04" appears, contact After Sales Service and let them know which code is displayed.

- If the hob does not work following intensive use, the hob internal temperature is too high. Wait a few minutes until the hob cools down.
- If the heater is not continuously on but switches on and off cyclically even if on the display the power level does not change, this is part of the normal functioning of the hob. The on/off cycle allows the power regulation of the heater and is completely normal. In some cases, thermal protection could switch off the heater for some time to avoid glass damage. Examples of such cases are: cooking a long time at a high power level, using pots smaller than the heating element, and not flat-bottomed pots.
- If the hob is emitting a brief sound without the customer pressing any buttons, please take care of any liquid spills on the HMI. Please dry the HMI and continue using the hob. If the hob has been switched off automatically, it can be caused by a liquid presence on HMI. Please dry the HMI and switch the hob back on.

If after the above checks the fault still occurs, get in touch with the nearest After Sales Service.

AFTER-SALES SERVICE

To receive a more complete assistance, please register your product on www.hotpoint.eu/register.

BEFORE CALLING THE AFTER-SALES SERVICE:

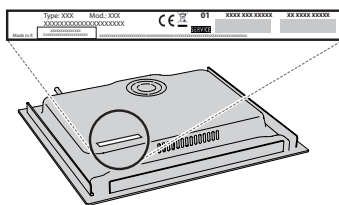
1. See if you can solve the problem by yourself with the help of the **TROUBLESHOOTING** suggestions.
2. Switch the appliance off and back on again to see if the fault persists.

IF AFTER THE ABOVE CHECKS THE FAULT STILL OCCURS, GET IN TOUCH WITH THE NEAREST AFTER-SALES SERVICE.

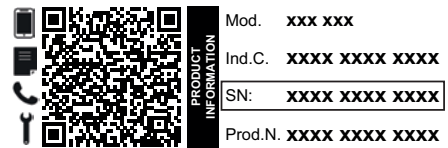
To receive assistance, call the number shown on the warranty booklet or follow the website's instructions on www.hotpoint.eu.

When contacting our Client After sales service, always specify:

- a brief description of the fault;
- the type and exact model of the appliance;



- the serial number (number after the word SN on the rating plate located under the appliance). The serial number is also indicated in the documentation;



- your full address;
- your telephone number.

If any repairs are required, please contact an authorized after-sales service (to guarantee that original spare parts will be used and repairs carried out correctly).

Policies, standard documentation and additional product information can be found by:

- Using QR code in your appliance;
- Visiting our website docs.hotpoint.eu;
- Alternatively, **contact our After-sales Service** (See phone number in the warranty booklet). When contacting our After-sales Service, please state the codes provided on your product's identification plate.



Laadige alla täielik juhend veebisaidilt <http://docs.hotpoint.eu> või helistage garantiivoldikus toodud telefoninumbri.

Enne seadme kasutamist lugege need ohutusjuhised läbi. Hoidke need hilisemaks kasutuseks käepärast. Nendes juhistes ja seadmel endal on toodud olulised hoiatused, mida tuleb alati järgida. Tootja ei vastuta selle eest, kui ohutusjuhiseid ei järgita, seadet kasutatakse valesti või määratakse sellele sobimatu seadistus.

⚠ **HOIATUS!** Kui pliidiplaat on pragunenud, ei tohi seadet kasutada, sest tekib elektrilöögioht.

⚠ **HOIATUS!** Süttimisohu: ärge hoidke toiduvalmistamise pindadel esemeid.

⚠ **TÄHELEPANU!** Küpsetamist tuleb jälgida. Lühidat küpsetamist tuleb jälgida pidevalt.

⚠ **HOIATUS!** Rasva või õliga toidu küpsemine pliidiil ilma järelevalveta võib olla ohtlik, sest tekib tuleoht. **ÄRGE KUNAGI** püüdke kustutada tuld veega, selle asemel lülitage seade välja ja seejärel katke leegid näiteks kaane või tuletikuga.

⚠ Ärge kasutage pliidiplaati töö- või abipinnana. Hoidke riided ja muud tuleohtlikud materjalid seadmest eemal, kuni kõik selle osad on täielikult maha jahtunud, vastasel juhul võib tekkida tuleoht.

LUBATUD KASUTUS

⚠ **TÄHELEPANU!** Seade ei ole mõeldud kasutamiseks välise lülitusseadmega, nagu taimer, ega eraldi kaugjuhtimissüsteemiga.

⚠ Seade on ettenähtud kasutamiseks kodumajapidamises ja teistes sarnastes kohtades, nagu: kaupluste, kontorite ja teiste töökeskkondade töötajate köögipiirkondades; talumajapidamistes; klientide poolt hotellides, motellides, hommikusöögiga majutusasutustes ja teistes majutusettevõtetes.

⚠ Muud kasutusviisid (nt ruumide kütmine) pole lubatud.

⚠ Seade ei ole mõeldud professionaalseks kasutuseks. Ärge kasutage seadet välitingimustes.

⚠ Väikelapsed (vanuses 0-3 aastat) tuleb seadmest eemal hoida. Lapsed (vanuses 3-8 aastat) tuleb seadmest eemal hoida, kui nende järele ei valvata. Lapsed alates 8 eluaastast ja isikud, kes on piiratud füüsiliste, sensoorsete või vaimsete võimetega või ilma kogemuste või teadmisteta, võivad seadet kasutada ainult siis, kui nende tegevust jälgitakse või neid on seadme ohutuks kasutamiseks juhendatud ja nad mõistavad sellega seotud ohtusid. Jälgige, et lapsed seadmega ei mängiks. Lapsed ei tohi seadet ilma järelevalveta puhastada ega hooldada.

⚠ **HOIATUS!** Seade ja selle ligipääsetavad osad muutuvad kasutamisel kuumaks. Vältige kütteelementide puudutamist. Nooremad kui 8 aastased lapsed tuleb seadmest eemal hoida, kui nende tegevust pidevalt ei jälgita.

PAIGALDAMINE

⚠ Seadet tuleb käsitseda ja paigaldada kahe või enama inimesega, vastasel juhul tekib vigastuste oht. Lahtipakkimisel ja paigaldamisel kandke kaitsekindaid, sest tekib löi- oht.

⚠ Paigaldustööd, sh vee- (vajaduse korral) ja elektriühenduse loomine ning parandustööd, peab tegema vastava väljaõppega tehnik. Ärge parandage ega asendage seadme osi, kui seda kasutusjuhendis otseselt ei soovitata. Hoidke lapsed paigalduspiirkonnast eemal. Veenduge pärast seadme lahtipakkimist, et see ei ole transportimisel kahjustada saanud. Probleemide korral võtke ühendust edasimüüja või lähima teeninduskeskusega. Pärast paigalduse lõppu tuleb jäätmed (kile, vahtplast jms) panna hoiule lastele kättesaamatusse kohta, sest vastasel juhul tekib lämbumisoht. Enne paigaldamist tuleb seade vooluvõrgust lahti ühendada, sest tekib elektrilöögioht. Jälgige paigaldamise ajal, et seade ei kahjustaks toitejuhet, vastasel juhul tekib tule- või elektrilöögioht. Aktiveerige seade alles siis, kui paigaldamine on lõpetatud.

⚠ Kapi mõõtuloikamine peab toimuma enne seadme paikapanekut, eemaldada tuleb ka puidutükid ja saepuru.

⚠ Kui seadet ei paigaldata ahju kohale, peab selle alla vastavasse ruumi panema eraldusplaadi (ei ole komplektis).

ELEKTRIGA SEOTUD HOIATUSED

⚠ Seadet peab olema võimalik vooluvõrgust lahti ühendada kas pistikut pesast välja tõmmates, kui pistik on juurdepääsetav, või ligipääsetava mitmepooluselise lüliti abil, mis on paigaldatud pistikupesast ülesvoolu kooskõlas riiklike ohutuseeskirjadega. Seade peab olema maandatud vastavalt riiklikele elektriohutustandarditele.

⚠ Ärge kasutage pikendusjuhtmeid, mitmikpesi ega adaptereid. Elektrilised komponendid ei tohi pärast paigaldamist olla kasutajale ligipääsetavad. Ärge kasutage seadet märjana ega paljajalu. Ärge kasutage seadet, kui selle toitejuhe või pistik on vigane, kui see ei tööta korralikult või kui see on kahjustatud või maha kukkunud.

⚠ Paigaldamine toitekaabli pistiku abil ei ole lubatud, välja arvatud juhul, kui toode on juba varustatud tootja poolt pakutava pistikuga.

⚠ Kui toitejuhe on kahjustatud, peab tootja, volitatud teenindus või muu kvalifitseeritud isik selle samaväärse juhtmega asendama, et vältida elektrilöögiohtu.

PUHASTAMINE JA HOOLDAMINE

⚠ **HOIATUS!** Enne hooldustööde tegemist veenduge, et seade on välja lülitatud ja toitevõrgust lahti ühendatud; ärge kunagi kasutage aurpuhastusseadmeid, sest nendega tekib elektrilöögioht.

⚠ Ärge kasutage abrasiivseid või söövitavaid tooteid, klooripõhiseid puhastusvahendeid ega traatnuustikuid.

PAKKEMATERJALIDE ÄRAVISKAMINE

Pakkematerjal on 100% taaskäideldav ja märgistatud taaskäitlemise sümboliga




Pakendi osad tuleb ära visata kohusetundlikult ja täies vastavuses kohalike jäätmekäitlusnõuetega.

MAJAPIDAMISSEADMETE UTILISEERIMINE

See seade on toodetud taaskasutatavatest materjalidest. Kõrvaldage seade vastavalt kohalikele jäätmekäitluseeskirjadele. Elektriliste majapidamiseseadmete jäätmekäitluse kohta saate täpsemat teavet kohalikust omavalitsusest, majapidamiseseadmete kogumispunktist või poest, kust seadme ostsite. Seade on tähistatud vastavuses Euroopa Parlamendi ja nõukogu direktiiviga 2012/19/EL elektri- ja elektroonikaseadmetest tekkinud jäätmete kohta (WEEE) ja elektri- ja elektroonikaseadmetest tekkinud jäätmete 2013. aasta määrustega (uuendatud sõnastus).

Tagades seadme korrektse utiliseerimise, aitate hoida ära potentsiaalseid negatiivseid mõjusid keskkonnale ja inimeste tervisele.

Sümbol  seadmel või seadmega kaasapandud dokumentatsioonis näitab, et seadet ei tohi käidelda olmejäätmena, vaid et see tuleb toimetada lähimasse elektri- ja elektroonikaseadmete kogumispunkti.

ENERGIASÄÄSTUNIPID

Kasutage maksimaalselt ära pliidiplaadi jääksoojust - lülitage pliit välja mõni minut enne toiduvalmistamise lõppu.

Poti või panni põhi peaks pliidirõnga täielikult katma; pliidirõngast väiksem nõu laseb osa energiast raisku.

Katke potid-pannid toiduvalmistamise ajal tihedalt sulguva kaanega ja kasutage võimalikult vähe vett. Kaaneta toiduvalmistamine suurendab märgatavalt energiatarbimist.

Kasutage ainult lameda põhjaga potte ja panne.

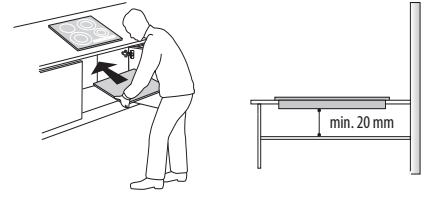
VASTAVUSDEKLARATSIOON

Seade on vastavuses komisjoni määruse (EL) 66/2014 ökodisaininõuetega, energiamõjuga toodete ökodisaini ja energiateabe (muudatus) (EL-ist väljaastumine) määrustega 2019, mis on kooskõlas Euroopa standardiga EN 60350-2.



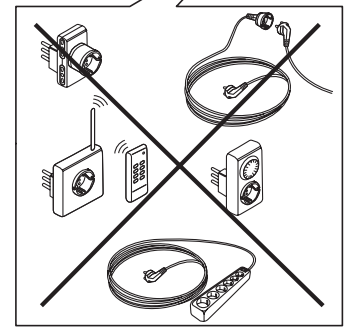
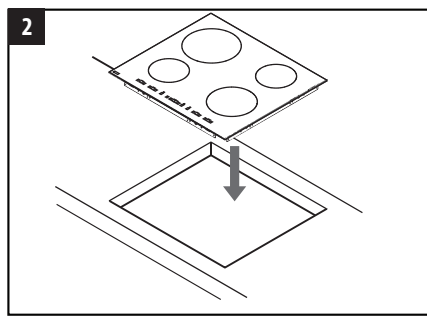
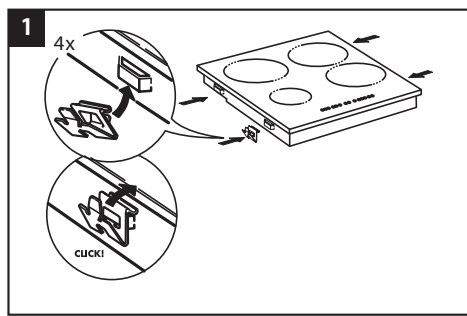
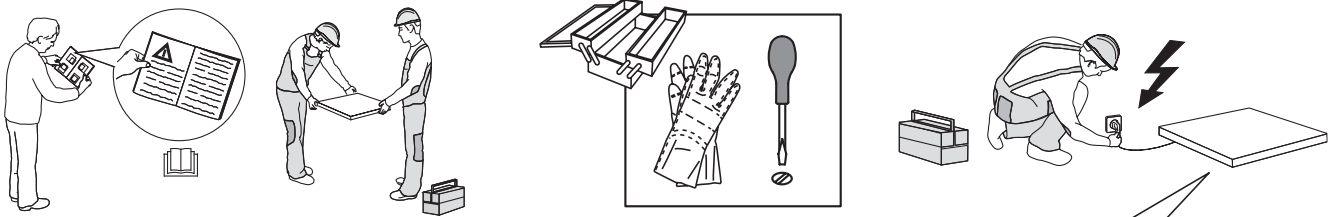
PAIGALDAMINE

- Pliidiplaat tuleb asetada vähemalt 20 mm sügavusele töötasapinnale.
- Pliidi ja ahju vahel ei tohi midagi olla (ristsiinid, klambrid, jne).
- Veenduge, et toitejuhe oleks mugavaks paigaldamiseks piisavalt pikk.
- Keraamilisest klaasist pliidiplaadi alumise külje ja kapi või eralduspaneeli vahele peab jääma vähemalt 20 mm ruumi.
- Integreerimise mõõtmeid ja paigaldust vaadake selles jaotises olevalt pildilt.
- Pliidiplaadi ja selle kohal oleva õhupuhasi vahel peab olema minimaalne kaugus. Vaadake lisateavet õhupuhasi kasutusjuhendist.
- Kui olete pliidi pinna puhastanud, pange sellele komplekti lisatud tihend (kui seda pole juba paigaldatud).
- **Ärge paigaldage pliiti nõudepesumasina ega pesumasina lähedale, siis ei pääse aur ja niiskus elektroonikasõlme, mis võiks seda kahjustada.**
- Kui pliidi alla paigaldatakse ahi, veenduge, et see oleks varustatud jahutussüsteemiga. Kui elektroonikasõlme temperatuur läheb lubatust suuremaks, lülitub pliit automaatselt välja; sel juhul oodake mõni minut, kuni elektroonikasõlme sisetemperatuur on piisavalt langenud ja pliidiplaadi saab uuesti sisse lülitada.

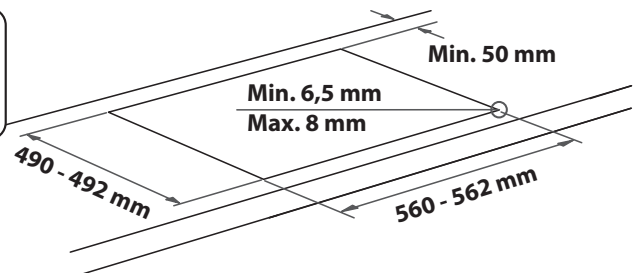
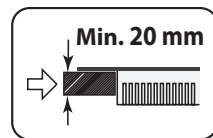
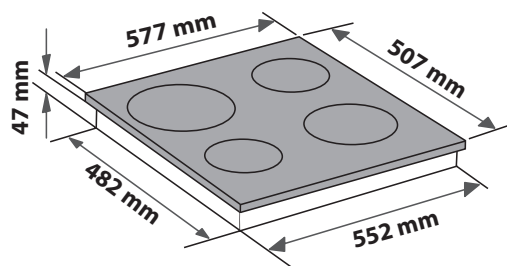
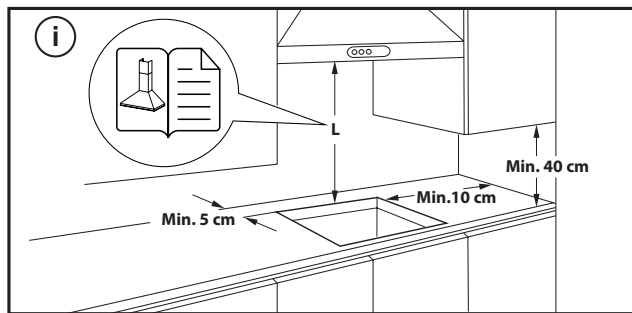


PLIIDIPLAADI PAIGUTAMINE

Pärast elektriga ühendamist (vt peatükk "Elektriühendus") asetage kõik kinnitusklambrid ettenähtud pesadesse pliidiplaadi külgedel, nagu pildil näidatud. See järel lükake pliidiplaat väljalõikesse ja veenduge, et klaas oleks tööpinnaga samal kõrgusel. Kinnitusklambrid sobivad kasutamiseks igat tüüpi tööpinnaga (puu, marmor jne).



MÕÖTMED JA VAHEKAUGUSED



PLIIDIPLAADI EEMALDAMINE:

Pliidiplaadi eemaldamiseks ühendage see esmalt vooluvõrgust lahti. On tungivalt soovitatav eemaldada alumine osa ahjust, sahtlist, separaatorist või muust. See võimaldab tehnikul pääseda juurde pliidiplaadi alumisele osale, keeramaks kruvikeerajaga neli klambrit lahti, tõsta ja eemaldada pliidiplaat, vältides tööpinnaga kahjustamist.

ELEKTRIÜHENDUS

Elektriühendus tuleb luua enne seadme toitevõrku ühendamist.

Toitejuhe ei kuulu komplekti – ärge unustage toitejuhet ise ette valmistada.




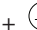
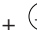
Paigalduse peavad teostama kvalifitseeritud töötajad, kes tunnevad kehtivaid ohutus- ja paigalduseeskirju. Paigaldus tuleb teha vastavalt kohaliku elektrivõtte eeskirjadele.

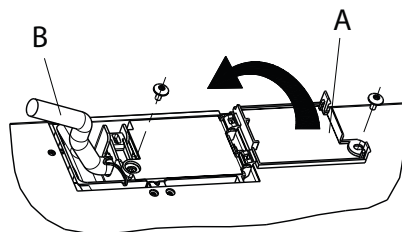
Veenduge, et seadme põhjal olevale andmeplaadile märgitud pinge vastab teie koduse vooluvõrgu pingele.

Eeskirjad, mis nõuavad seadme maandamist: Kasutage ainult sobiva suurusega elektrijuhte (k.a maandusjuht).

ÜHENDAMINE KLEMMIPLOKIGA

Kasutage elektriühenduseks kaablit H05RR-F või H05V2V2-F, nagu on viidatud allpool olevas tabelis.

TOITEPINGE	JUHTMED ARV x SUURUS
220-240V ~+ 	3 x 4 mm ²
230-240V ~+ 	3 x 4 mm ² (ainult Austraalia)
220-240V 3~+ 	4 x 1,5 mm ²
380-415V 3N~+ 	5 x 1,5 mm ²
380-425V 2N~+ 	4 x 1,5 mm ²



Seade tuleb ühendada toitevõrku kõiki poolusi lahutava lüliti kaudu, mille kontaktivahe on vähemalt 3 mm.

TÄHELEPANU! Toitekaabel peab olema piisavalt pikk, et pliiti saaks tööpinnalt eemaldada, ja see tuleb paigutada nii, et aluse tekitatud kuumus seda kahjustada ei saaks.

MÄRKUS: Kollane/roheline maandusjuhe tuleb ühendada klemmiga, mille on sümbol , ja see peab teistest juhtmetest pikem olema.

- Eemaldage ligikaudu 70 mm toitekaabli varjestusest **(B)**.
- Eemaldage ligikaudu 10 mm juhtmete varjestusest. Seejärel sisestage toitekaabel kaabliklambrisse ja ühendage juhtmed klemmiplokiga, nagu on näidatud klemmiploki juures asuval ühendusdiagrammil.
- Kinnitage toitekaabel **(B)** kaabliklambriga.
- Sulgege klemmiplokk kattega **(A)**, kinnitades selle komplekti lisatud kruviga.
- Pärast elektriga ühendamist paigaldage pliidiplaat ülevalt poolt ja kinnitage see tugivedrude külge, nagu joonisel näidatud.

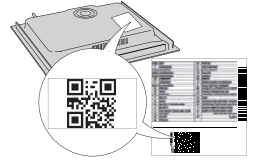


TÄNAME, ET OSTSITE WHIRLPOOL TOOTE
Parema tugiteenuse saamiseks registreerige oma seade
aadressil www.hotpoint.eu/register.

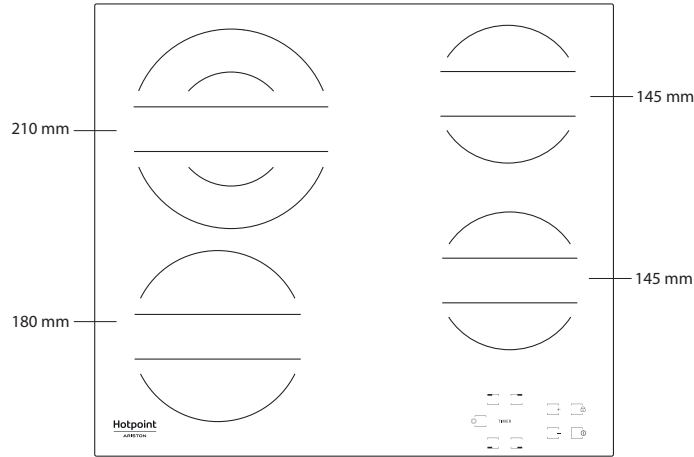


**Enne seadme kasutamist lugege hoolikalt läbi
ohutusjuhend.**

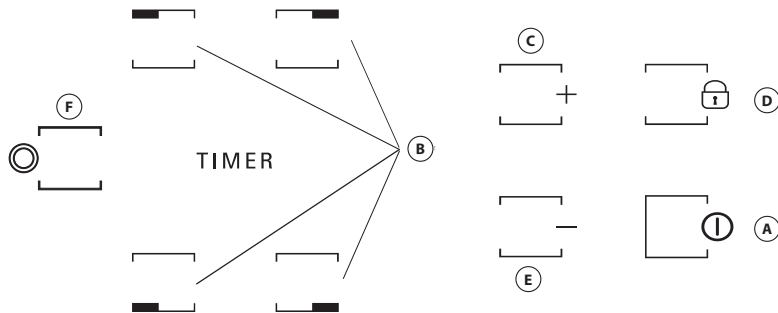
**TÄPSEMA TEABE SAAMISEKS
SKANNIGE OMA SEADME QR-
KOOD**



TOOTE KIRJELDUS



JUHTPANEEL



- A** Sisse/välja
- B** Keeduala ja taimeri valimine
- C-E** Kuumusseadistuse suurendamine ja vähendamine
- D** Nupulukk
- F** Laiendatud tsooni aktiveerimine/deaktiveerimine

ESIMEST KORDA KASUTAMINE

Esimesel paigaldamisel teostab juhtpaneel umbes 1 sekundi kestva funktsionaalse testi, pärast mida lülitub seade automaatselt funktsiooni "Nupulukk".

Funktsiooni väljalülitamiseks vajutage ja hoidke nuppu "D"; kostub helisignaali ja vastav led lülitub välja.

MÄRKUS: Lähtestamise korral korra eelkirjeldatud toimingut.

IGAPÄEVANE KASUTAMINE

1 Pliidiplaadi lülitamine sisse/välja

Pliidi sisselülitamiseks hoidke nuppu "A" umbes 2 sekundit alla surutuna. 4 keeduala näidikut näitavad "0".

Kui 20 sekundi jooksul ei lülitata ühtegi keeduala sisse, lülitub pliit turvameetmena automaatselt välja.

Keedualade sisselülitamine ja reguleerimine

Vajutage ühte nuppudest "B" vastavalt keedualale, mida soovite kasutada hakata. Valige nuppudega "E" või "C" vajalik kuumusseadistus. Teiste valitavate küpsetuseadistuste seadistusvahemik on 1 kuni 9. Kõikide seadistuste tühistamiseks vajutage samaaegselt nuppe "+/-".

TÄHTIS: Juhtseadis lülitub 10 sekundit pärast kuumusseadistuse valimist välja. Kuumusseadistuse muutmiseks vajutage esmalt uuesti valimisinupule "B" ja muutke seejärel nuppudega "E" või "C" seadistus.

2 Lisaalaga keeduala

Soovitud keeduala valimise ja taseme seadistamise järel (nagu eelmises lõigus kirjeldatud), vajutage "F": nupu kohal olev näidik süttib ja lülitab sisse lisaala. Lisaalaga keeduala saab kasutada ainult järgmistel tingimustel:

- Keedualal on olemas lisaala;
- Valitud võimsustase on suurem kui 0.

Lisaalaga keeduala väljalülitamiseks vajutage soovitud keeduala nuppu "B" ja vajutage seejärel uuesti "F".

3 Timer

Taimerifunktsiooni seadistamiseks valige soovitud keeduala ja võimsustase, vajutage seejärel uuesti keeduala nuppu ja taimeri juhitud keeduala näidikule ilmub valgustäpp. Näidik "00" vilgub 2 näidikul. Vajutage nuppe "E" või "C", et seadistada aeg vahemikus 1 kuni 99.

TÄHELEPANU! 10 sekundi möödudes näitavad taimerinäidikud teiste keedualade võimsusseadistust.

Järelejäänud valmistamisaja vaatamiseks vajutage kaks korda taimeriga juhitud keeduala nuppu.

A FUNKTSIOON

See funktsioon võimaldab automaatselt vähendada keeduala võimsustaset kõrgeimalt väärtuselt (tase 9) kasutaja poolt hilisemaks toiduvalmistamisetapiks valitud tasemele.

Selle funktsiooni aktiveerimiseks vajutage 9. taseme saavutamisel esmalt nuppu "+".

Ekraanil on "A" ja "9" vilgub vaheldumisi väikese heledusega.

Sel hetkel valige soovitud võimsustase (alla 9) nupuga "-".

"A" ja valitud tase vilguvad ekraanil vaheldumisi vähese heledusega.

Funktsioon aktiveeritakse kui "A" ja valitud tase vilgub ekraanil vaheldumisi intensiivse heledusega.

Kui "A" pole enam ekraanil nähtav (funktsioon "A" lülitub olenevalt seadistatud võimsustasemest mõne minuti pärast automaatselt välja), jätkub küpsetusprotsess väiksema võimsusega ja ekraanil kuvatakse ainult valitud võimsustase.

N.B.: see funktsioon pole 9. tasemega võimalik.



NUPULUKK

Funktsioon Nupulukk lülitub sisse, kui hoida nuppu "D" all kuni funktsiooninupu kohale ilmub valgustäpp. Juhtpaneel on lukustatud; ainsana toimib väljalülitamise funktsioon. Funktsioon jääb sisse ka pärast pliidi välja- ja seejärel uuesti sisselülitamist ning seda saab välja lülitada vajutades uuesti nuppu "D" kuni funktsiooninupu kohal olev täpp ära kustub.

Kui pliidiplaat on välja lülitatud ja nupulukk on pliidiplaadi sisselülitamiseks aktiveeritud, deaktiveerige esmalt nuppu lukustusfunktsioon, vajutades uuesti nuppu D, kuni funktsiooninupu kohal olev punkt kustub.

Vee olemasolu, pottidest mahaloksunud vedelik või mis tahes juhtnuppudele toetuvad esemed võivad nuppu luku kogemata sisse või välja lülitada.



JÄÄKKUUMUSE NÄIDIK

Keeduala väljalülitamisel jääb jääkuumuse näidik "H" põlema või vilgub vahelduvalt kirjega "0", kuni pliidi temperatuur on langenud ohutule tasemele.

KÜPSETUSTABEL

VÕIMSUSTASE		TOIDUVALMISTAMISE TÜÜP	TASEME KASUTAMINE (tähistab toiduvalmistamise kogemust ja harjumusi)
Maksimumvõimsus	9	Keetmine	Ideaalne toidu temperatuuri kiireks tõstmiseks kuni kiire keemiseni vee või küpsetusvedelike kiireks kuumutamiseks.
	9 – 8	Kõrvetamine	Ideaalne pruunistamiseks, küpsetamise alustamiseks, külmutatud toodete praadimiseks, kiireks keetmiseks.
Kõrge võimsus	8 – 7	Pruunistamine – keetmise säilitamine – grillimine	Ideaalne pruunistamiseks, intensiivse keetmise säilitamiseks, küpsetamiseks ja grillimiseks (lühiajaline, 5-10 minutit).
	7 – 6	Praadimine – keetmine – grillimine	Ideaalne madalal kuumusel hoidmiseks, toiduvalmistamiseks ja grillimiseks (keskmine kestus, 10-20 minutit), eelkuumutamiseks ja praadimiseks.
Keskmine võimsus	6 – 5	Õrn praadimine	Ideaalne munade, omleti praadimiseks.
	5 – 4	Keetmine – moorimine – hautamine	Ideaalne pikemaks keetmiseks (riis, kastmed, praed, kala) vedelikega (nt vesi, vein, puljong, piim), pasta kooses keetmine.
	4 – 3	Paksendamine – pasta kooses keetmine	
Väike võimsus	2 – 1	Toidu soojana hoidmine – risotto hautamine	Ideaalne äsja valminud toidu kuumana hoidmiseks (nt kastmed, supid, minestrone), risotode hautamiseks ja serveeritavate roogade soojas hoidmiseks.
Miinimumvõimsus	1	Sulatamine	Ideaalne väikeste toodete sulatamiseks ja šokolaadi või või õrnaks sulatamiseks.
Nullvõimsus	0	-	Pliidiplaat on oote- või väljalülitatud režiimis (võimalik küpsetamise lõpp, tähistatud tähega "H").

PUHASTAMINE JA HOOLDAMINE

⚠ Võtke pistik seinakontaktist välja.

- Ärge kasutage aurupuhastusseadmeid.
- Ärge kasutage abrasiivseid švamme ega küürimispatju, kuna need võivad klaasi kahjustada.
- Puhastage pliidiplaat pärast iga kasutamist (kui pliidiplaat on jahe), et eemaldada kõik toidujäägid ja -plekid.

TÄHELEPANU! Pliidi turvafunktsioonide hulka kuulub ka automaatse väljalülitamise funktsioon. Sama kuumusseadistusega pikaajaline kasutamine käivitab keeduala automaatse väljalülitamise (näiteks pärast 1 tundi maksimaalsel kuumusseadistusel lülitub keeduala välja).

TÄHELEPANU! Vältimaks pliidiplaadi jäädavat kahjustamist:

- ärge kasutage potte, mille põhi ei ole tasane;
- ärge kasutage emailitud põhjaga metallpotte;
- ärge pange kuumi potte/panne juhtpaneeli peale.

Pliidiplaadil on ka automaatse väljalülitamise funktsioon, mis lülitab sõltuvalt võimsuse seadistusest keeduala välja, kui võimsustaset teatud aja jooksul ei muudeta. Tabelis on iga võimsustaseme kestus.

VÕIMSUSASTE	AUTOMAATNE VÄLJALÜLITUSAEG
0	30 sekundit
1	10 tundi
2	5 tundi
3	5 tundi
4	4 tundi
5	3 tundi
6	2 tundi
7	2 tundi
8	2 tundi
9	1 tund

Hotpoint

ARISTON

Kui pliidiplaat ei tööta korralikult, püüdke enne müügijärgse teeninduse poole pöördumist veaotsingu juhendi abil probleem ise kindlaks teha.

- Lugege läbi jaotis "Igapäevane kasutamine" ja järgige selles toodud juhiseid.
- Kontrollige, et voolutoide ei oleks välja lülitatud.
- Kuivatage pliidiplaat pärast selle puhastamist põhjalikult.
- Kui keeduala on valitud ja ekraanil kuvatakse "F" või "ER" ja seejärel number, võtke ühendust müügijärgse teenindusega ja teavitage neid.
- Kui veakoodiks on "F03", "ER03" või "E02", proovige seda lahendada, järgides järgmisi juhiseid:
 - Kui kuvatakse rike "E02", veenduge, et te pole nuppe üle 5 sekundi vajutanud, HMI-alal pole ühtegi eset ning et see oleks puhas ja kuiv – puhastamisel järgige puhastamise ja hoolduse lõiku.
 - Kui kuvatakse tõrge "F03", proovige pliidiplaat välja ja uuesti sisse lülitada.
 - Kui kuvatakse tõrge "F04", võtke ühendust müügijärgse teenindusega ja andke neile teada, millist koodi kuvatakse.
- Kui pliit ei tööta pärast intensiivset kasutamist, on põhjuseks pliidi liiga kõrge sisemine temperatuur. Oodake mõni minut, kuni pliit maha jahtub.

- Kui kütteseade ei ole pidevalt sisse lülitatud, vaid lülitub tsükliiselt sisse ja välja, isegi kui ekraanil kuvatav võimsustase ei muutu, on see osa pliidiplaadi tavapärasest tööst. Sisse/välja tsükkel võimaldab reguleerida küttekeha võimsust ja on täiesti normaalne. Mõnel juhul võib termokaitse küttekeha mõneks ajaks välja lülitada, et vältida klaasi kahjustamist. Selliste juhtumite näited on: pikka aega suure võimsusega küpsetamine, kasutades kütteelemendist väiksemaid potte, mitte lamedapõhjalisi potte.
- Kui pliidiplaadilt kostab lühikest heli, ilma et klient ühtki nuppu vajutaks, kontrollige, kas HMI-le on sattunud vedelikku. Kuivatage HMI ja lülitage jätkake pliidiplaadi kasutamist. Kui pliidiplaat on automaatselt välja lülitatud, võib selle põhjuseks olla HMI vedeliku olemasolu. Kuivatage HMI ja lülitage pliidiplaat uuesti sisse.

Kui pärast ülalpool toodud kontrolle jääb viga püsima, pöörduge lähimasse müügijärgsesse teenindusse.

MÜÜGIJÄRGNE TEENINDUS

Parema tugiteenuse saamiseks registreerige oma seade aadressil www.hotpoint.eu/register.

ENNE MÜÜGIJÄRGSESSE TEENINDUSSE HELISTAMIST:

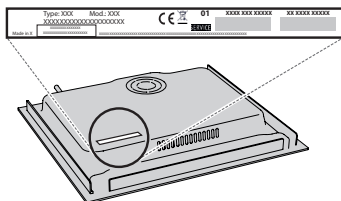
1. Proovige probleemi ise **VEAOTSINGU JUHENDIS** olevate näpunäidete abil lahendada.
2. Lülitage seade välja ja uuesti sisse, et näha, kas probleem on kõrvaldatud.

KUI VIGA JÄÄB PÜSIMA KA PÄRAST ÜLALKIRJELDATUD KONTROLLIMISI, VÕTKE ÜHENDUST LÄHIMA TEENINDUSEGA.

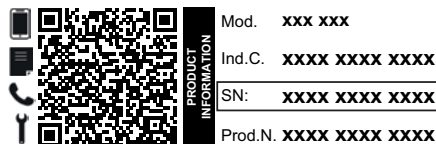
Abi saamiseks helistage garantiijuhendis toodud numbril või järgige juhiseid veebilehelt www.hotpoint.eu.

Kui võtate ühendust meie klientidele mõeldud müügijärgse teenindusega, olge valmis esitama järgmisi andmeid:

- tõrke lühike kirjeldus;
- seadme tüüp ja täpne mudel;



- seerianumber (number, mis järgneb seadme all oleval andmesildil tähisele SN). Seerianumber on toodud ka dokumentatsioonis;



- teie täielik aadress;
- teie telefoninumber

Kui seadet on vaja ükskõik millisel viisil remontida, pöörduge volitatud teenindusse (see garanteerib originaalvaruosade kasutamise ja kvaliteetse remondi).

Poliitika, standardite dokumentatsiooni ja toote lisateabe lugemiseks tehke järgmist:

- kasutage oma seadme QR-koodi;
- külastage meie veebisaiti docs.hotpoint.eu;
- teise võimalusena võtke ühendust meie müügijärgse teeninduskeskusega (vt telefoninumbrist garantiikirjas). Kui võtate ühendust müügijärgse teenindusega, siis teatage neile oma toote andmeplaadil olevad koodid.



Išsamias naudotojo instrukcijas galite atsisiųsti iš svetainės <http://docs.hotpoint.eu> arba skambinkite telefonu, kuris nurodytas garantijos knygelėje.

Prieš naudodami prietaisą, perskaitykite šias saugos instrukcijas. Išsaugokite jas ateičiai.

Šiame vadove ir ant prietaiso pateikti svarbūs saugos perspėjimai, kuriuos būtina perskaityti ir visada laikytis. Gamintojas neprisiima atsakomybės, jei nesilaikoma šioje saugos instrukcijoje pateiktų nurodymų, prietaisas naudojamas netinkamai arba neteisingai nustatomi valdymo įtaisai.

⚠ **ĮSPĖJIMAS.** Jei kaitlentės paviršius subraižytas, prietaiso nenaudokite – kyla elektros smūgio pavojus.

⚠ **ĮSPĖJIMAS.** Ugnies pavojus: nelaikykite daiktų ant gaminimo paviršiaus.

⚠ **DĖMESIO.** Stebėkite visą gaminimo procesą. Negalima palikti be priežiūros net trumpo gaminimo proceso.

⚠ **ĮSPĖJIMAS.** Jei ant kaitlentės neprižiūrint verda riebalai arba aliejus, tai gali būti pavojinga – kyla gaisro pavojus. **JOKIU BŪDU** nebandykite liepsnos gesinti vandeniui; prietaisą išjunkite ir liepsną uždenkite, pavyzdžiui, dangčiu arba liepsnai gesinti skirtu audiniu.

⚠ Kaitlentės nenaudokite kaip darbo stalo ar atramos. Kol visi prietaiso komponentai visiškai neatvės, stenkitės neprisiliesti prie prietaiso drabužiais arba kitomis lengvai užsiliepsnojančiomis medžiagomis – kyla gaisro pavojus.

⚠ Labai maži vaikai (0–3 metų) turi būti saugiu atstumu nuo prietaiso. Vyresni vaikai (3–8 metų) turi būti saugiu atstumu nuo prietaiso, nebent visą laiką yra prižiūrimi. Šį prietaisą gali naudoti vaikai nuo 8 metų ir vyresni bei asmenys, turintys psichinį, jutiminį ar protinį neįgalumą arba tie, kuriems trūksta patirties arba žinių, jeigu jie yra prižiūrimi ir instruktuojami apie saugų prietaiso naudojimą ir supranta su tuo susijusius pavojus. Neleiskite vaikams žaisti su prietaisu. Neprižiūrimi vaikai neturėtų valyti ir prižiūrėti prietaiso.

⚠ **ĮSPĖJIMAS.** Prietaisas ir pasiekiamos jo dalys naudojant įkaista. Būkite atsargūs ir neprisilieskite prie kaitinimo elementų. Prietaisą reikia saugoti nuo jaunesnių nei 8 metų vaikų, jeigu jie nėra nuolat prižiūrimi.

LEISTINAS NAUDOJIMAS

⚠ **DĖMESIO.** Prietaisas nėra pritaikytas valdyti naudojant išorinį perjungimo įrenginį, pvz., laikmatį arba atskirą nuotolinio valdymo sistemą.

⚠ Šis prietaisas skirtas naudoti namų ūkyje ir panašiose patalpose, pavyzdžiui: parduotuvių, biurų ir kitų įstaigų darbuotojų virtuvėse; gyvenamuosiuose namuose; viešbučiuose, moteliuose, nakvynės vietose, kur patiekiami pusryčiai (angl. "Bed and Breakfast"), bei kitose apgyvendinimo įstaigose.

⚠ Kitoks naudojimas draudžiamas (pvz., kambariams šildyti).

⚠ Šis prietaisas nėra skirtas profesionaliam naudojimui. Prietaiso nenaudokite lauke.

MONTAVIMAS

⚠ Prietaisą perkelti ir įrengti turi du ar daugiau žmonių. Priešingu atveju galite susižeisti. Mūvėkite apsaugines pirštines, kai išpakuojate ir montuojate prietaisą. Priešingu atveju galite įsijauti.

⚠ Įrengimą, taip pat prijungimo prie vandentiekio, elektros tinklo ir remonto darbus turi atlikti kvalifikuotas technikas. Prietaisą remontuoti ar jo dalis keisti galima tik tuo atveju, jei tai nurodyta naudotojo vadove. Pasirūpinkite, kad montavimo vietoje nebūtų vaikų. Išpakavę prietaisą, patikrinkite, ar jis nebuvo pažeistas transportuojant. Jei kyla problemų, kreipkitės į prekybos atstovą arba artimiausią techninės priežiūros po pardavimo tarnybą. Įrengus prietaisą, pakuotės medžiagas (plastiką, polistireno dalis ir pan.) laikykite vaikams nepasiekiamoje vietoje, kad nekiltų uždusimo pavojus. Prieš vykdant bet kokius įrengimo darbus, prietaisą būtina išjungti iš elektros tinklo, kad nekiltų elektros smūgio pavojus. Pasirūpinkite, kad montuojant, prietaisas nepažeistų maitinimo laido. Priešingu atveju gali kilti gaisro ar elektros smūgio pavojus. Prietaisą įjungti galima tik baigus įrengimo darbus.

⚠ Spintelės pjovimo darbus atlikite prieš montuodami prietaisą į baldus ir nuvalykite visas medienos drožles bei pjūvenas.

⚠ Jei prietaisas nėra montuojamas virš orkaitės, po prietaisu reikia įstatyti skiriamąją plokštę (nepriedama).

ĮSPĖJIMAI DĖL ELEKTROS

⚠ Prietaisą reikia sumontuoti taip, kad jį būtų galima išjungti iš elektros tinklo ištraukus maitinimo laido kištuką arba iki elektros lizdo pagal sujungimų taisyklės sumontuotu daugiapoliu jungikliu ir prietaisas turi būti įžemintas pagal nacionalinius elektros saugos standartus.

⚠ Nenaudokite ilginamųjų laidų, tinklo lizdo skirstytuvų ir adapterių. Prietaisą įrengus, jo elektros komponentai turi būti nepasiekiami naudotojui. Prietaiso nenaudokite, jei jūsų kūnas yra drėgnas arba esate basi. Šio prietaiso nenaudokite, jei pažeistas jo maitinimo laidas arba kištukas, jei prietaisas veikia netinkamai arba jei jis yra pažeistas ar buvo numestas.

⚠ Įrengti naudojant maitinimo laido kištuką draudžiama, išskyrus atvejus, kai gamintojas pateikia gaminį su kištuku.


⚠ Jei maitinimo laidas pažeistas, jį tokiu pačiu turi pakeisti gamintojas, jo įgaliotas techninės priežiūros darbuotojas ar kitas kvalifikuotas asmuo – taip išvengsite elektros smūgio pavojus.

VALYMAS IR PRIEŽIŪRA

⚠ **ĮSPĖJIMAS.** Prieš atlikdami bet kokius techninės priežiūros darbus, prietaisą išjunkite ir atjunkite nuo elektros tinklo, kad nekiltų elektros smūgio pavojus; joku būdu nenaudokite valymo garais įrenginių – kyla elektros smūgio pavojus.

⚠ Nenaudokite braižančių ar ėsdinančių produktų, valiklių su chloru ir šveistukų.

PAKAVIMO MEDŽIAGŲ IŠMETIMAS


Pakavimo medžiagos yra 100 % perdirbamos ir pažymėtos perdirbimo simboliu .

Todėl įvairias pakuotės medžiagas reikia išmesti labai atsakingai ir griežtai laikantis vietos institucijų reglamentų, reguliuojančių atliekų išmetimą.

BUITINIŲ PRIETAISŲ ŠALINIMAS

Šis prietaisas pagamintas naudojant perdirbamas arba pakartotinai naudojamas medžiagas. Prietaisą išmeskite paisydami vietos atliekų išmetimo reglamentų. Dėl išsamesnės informacijos apie buitinių elektrinių prietaisų apdorojimą, utilizavimą ir perdirbimą kreipkitės į įgaliotą vietos instituciją, buitinių atliekų surinkimo įmonę arba parduotuvę, kurioje pirkote prietaisą. Šis prietaisas paženklintas pagal Europos direktyvos 2012/19/ES dėl elektros ir elektronikos įrangos atliekų (EEIJA) reikalavimus ir pagal elektros ir elektronikos įrangos atliekų 2013 m. reikalavimus (pataisas).

Tinkamai utilizuodami šį gaminį apsaugosite aplinką ir sveikatą nuo galimo neigiamo poveikio.

Ant prietaiso arba pridedamų dokumentų esantis simbolis  nurodo, kad su šiuo prietaisu negalima elgtis kaip su buitinėmis šiukšlėmis. Jį reikia atiduoti į atitinkamą surinkimo skyrių, kad elektros ir elektronikos įranga būtų perdirbta.

ENERGIJOS TAUPYMO PATARIMAI

Kad išnaudotumėte visas savo kaitlentės galimybes, likus kelioms minutėms iki gaminimosi pabaigos, kaitlentę išjunkite ir pasinaudokite likutine šiluma. Puodo ar keptuvės dugnas turi visiškai uždengti kaitvietę; jei indas yra mažesnis nei kaitvietė, bus be reikalo eikvojama energija.

Gamindami puodus ir keptuves uždenkite gerai priglundančiu dangčiu ir naudokite kuo mažiau vandens. Jei gaminsite nuėmę dangtį, gerokai padidės energijos sąnaudos.

Naudokite tik plokščiadugnius puodus ir keptuves.

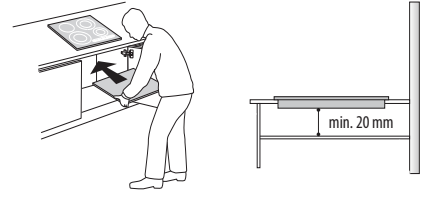
ATITIKTIES DEKLARACIJA

Šis prietaisas atitinka ekologinio projektavimo reikalavimus, numatytus Europos reglamente Nr. 66/2014 ir ekologinio projektavimo reikalavimus su energija susijusiems gaminiams ir energijos informacijos (pataisa) (išėjimas iš ES) 2019 m. reglamentą, vadovaujantis Europos standartu EN 60350-2.



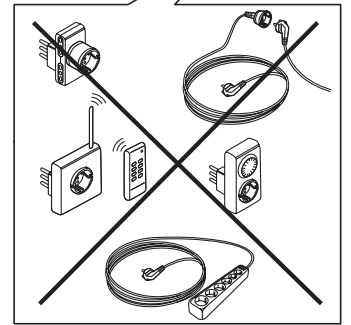
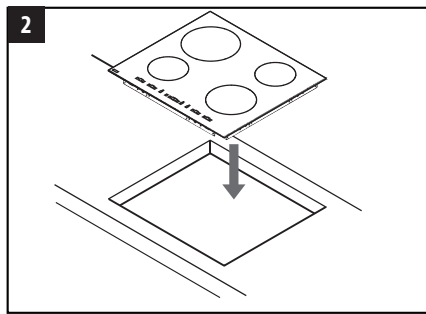
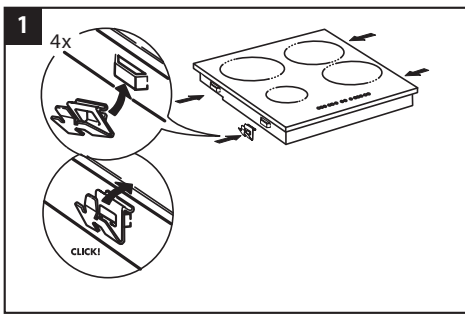
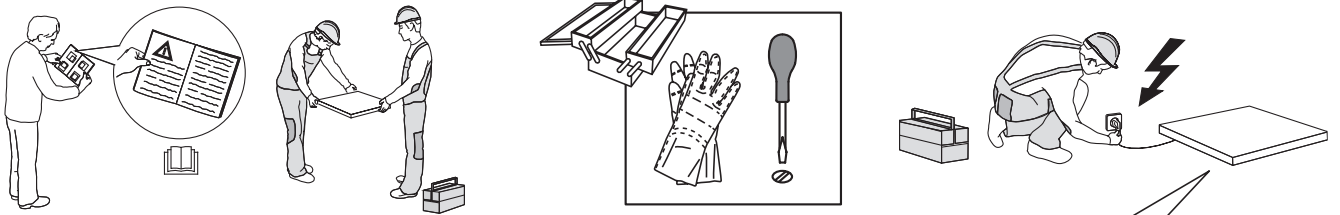
MONTAVIMAS

- Kaitlentė į stalviršį turi būti įleista mažiausiai 20 mm.
- Tarp kaitlentės ir krosnelės nieko neturi būti (grotelių, laikiklių ir t. t.).
- Įsitikinkite, kad laido ilgio užtenka patogiai įrengti gaminį.
- Atstumas nuo apatinės stiklo keramikos kaitlentės pusės iki spintelės arba skiriamojo skydo turi būti mažiausiai 20 mm.
- Montavimo atstumai ir įrengimo matmenys pateikiami šio skyriaus paveikslėlyje.
- Tarp kaitlentės ir virš jos esančio gartraukio turi būti išlaikytas minimalus atstumas. Daugiau informacijos pateikiama gartraukio naudotojo vadove.
- Nuvalę kaitlentės paviršių panaudokite kartu pateikiamą tarpiklį (jei jis dar nesumontuotas).
- **Nemontuokite kaitlentės arti indų plovimo arba skalbimo mašinos, kad elektros grandinės nesusiliestų su garais ar drėgme, kuri jas pažeistų.**
- Jei po kaitlente yra montuojama krosnelė, joje turi būti aušinimo sistema. Jei elektros grandinių temperatūra viršija didžiausią leidžiamą temperatūrą, kaitlentė turi automatiškai išsijungti; tokiu atveju palaukite kelias minutes, kol vidinė elektros grandinių temperatūra nukris iki leidžiamo lygio, tada galėsite iš naujo įjungti kaitlentę.

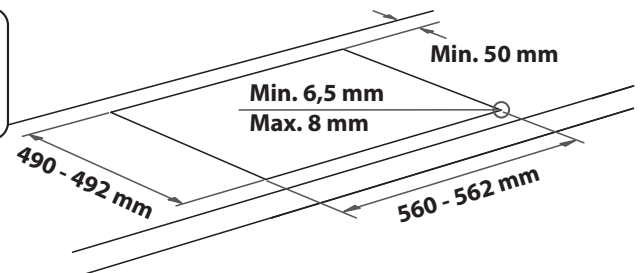
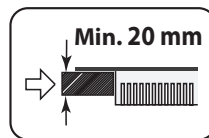
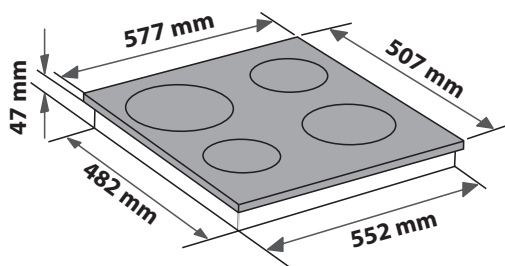
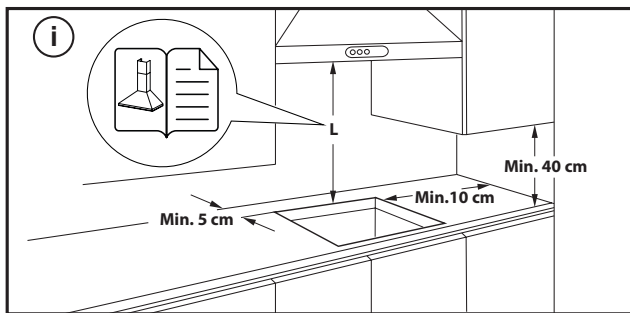


KAITLENTĖS ĮRENGIMAS

Prijungus elektrą (žr. skyrių "Elektros prijungimas"). Nustatykite, kad visi fiksatoriai sutaptų su skirtomis angomis kaitlentės šonuose, kaip tai pavaizduota paveikslėlyje. Tada spustelėkite kaitlentę į išpjovą ir patikrinkite, ar stiklinis paviršius yra lygus ir lygiagretus stalviršiui. Fiksatorius rinkitės atsižvelgdami į stalviršio medžiagą (medis, marmuras ir t. t.).



MATMENYS IR ATSTUMAI, KURIUOS BŪTINA IŠLAIKYTI



KAITLENTĖS PAŠALINIMAS.

Jei norite pašalinti kaitlentę, pirmiausia atjunkite ją nuo elektros tinklo. Pritygtinai rekomenduojame atlaisvinti apatinę dalį nuo orkaitės, stalčiaus, skiriamosios plokštės ar kt. Taip technikos specialistas galės pasiekti apatinę kaitlentės dalį ir atsuktuvu atsukti keturis fiksatorius, pakelti kaitlentę ir ją pašalinti apsaugant stalviršį nuo bet kokieo pažeidimo.

ELEKTROS ĮVADAS

Prieš įjungiant prietaisą į elektros tinklą reikia sujungti visas elektros jungtis.

Maitinimo laidas pakuotėje nepriedamas; nepamirškite įsigyti maitinimo laido.




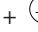
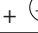
Įrengti gali tik kvalifikuoti darbuotojai, kurie žino galiojančias saugos ir įrengimo taisykles. Įrengiant būtina vadovautis galiojančiais vietinės elektros tiekimo bendrovės reglamentais.

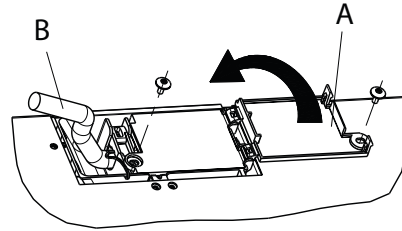
Įsitinkite, kad ant prietaiso dugno esančioje duomenų lentelėje nurodyta įtampa būtų tokia pat kaip namų.

Reglamentuose reikalaujama, kad prietaisas būtų įžemintas. Naudokite tik tinkamus konduktorius (įskaitant įžeminimo konduktorius).

PRIJUNGIMAS PRIE GNYBTŲ BLOKO

Elektros jungčiai naudokite H05RR-F arba H05V2V2-F kabelį, kaip nurodyta toliau pateiktoje lentelėje.

MAITINIMO ĮTAMPA	KONDUKTORIAI KIEKIS x DYDIS
220-240V ~+ 	3 x 4 mm ²
230-240V ~+ 	3 x 4 mm ² (tik Australija)
220-240V 3~+ 	4 x 1,5 mm ²
380-415V 3N~+ 	5 x 1,5 mm ²
380-425V 2N~+ 	4 x 1,5 mm ²



Prietaisą prie elektros tiekimo prijunkite visų polių atjungimo jungikliu, kurio minimalus kontaktinis tarpelis yra 3 mm.

DĖMESIO. Maitinimo laidas turi būti pakankamo ilgio, kad kaitlentę būtų galima nukelti nuo stalviršio ir jis turi būti patiestas taip, kad nebūtų pažeistas arba neperkaistų dėl kontakto su pagrindu.

PASTABA. Geltonas / žalias įžeminimo laidas turi būti prijungtas prie gnybto, kuris pažymėtas simboliu , ir jis turi būti ilgesnis už kitus laidus.

- Nuo maitinimo laido pašalinkite apie 70 mm izoliacinės medžiagos (**B**).
- Nuo laidų pašalinkite apie 10 mm izoliacinės medžiagos. Maitinimo kabelį įstatykite į kabelio gnybtą ir prijunkite laidus prie gnybtų trinkelės, kaip nurodyta šalia gnybtų trinkelės esančioje schemoje.
- Saugiai prijunkite maitinimo laidą (**B**) panaudodami laido gnybtą.
- Uždenkite gnybtų trinkelę gaubtu (**A**) ir priveržkite jį varžtu.
- Atlikę elektros įvado prijungimą, sulygiuokite kaitlentę su paviršiumi ir įtvirtinkite atraminėse spyruoklėse, kaip parodyta iliustracijoje.



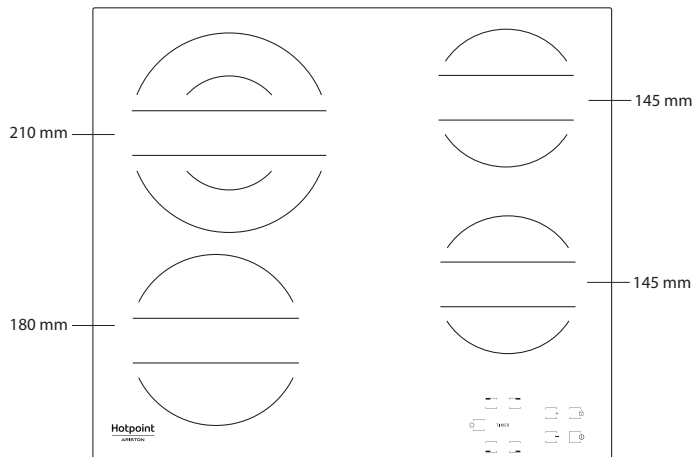
DĖKOJAME, KAD ĮSIGIJOTE „WHIRLPOOL“ GAMINĮ
Kad galėtumėte tinkamai pasinaudoti pagalba, užregistruokite gaminį svetainėje www.hotpoint.eu/register.

**JEIGU REIKIA DAUGIAU
INFORMACIJOS, NUSKAITYKITE
QR KODĄ NAUDODAMIESI SAVO
PRIETAISU**

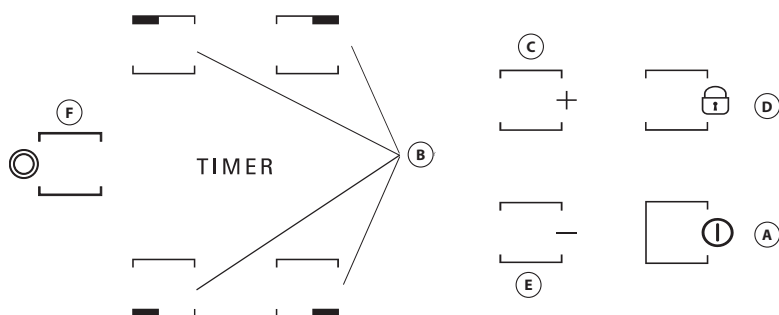


Prieš naudodamiesi prietaisu atidžiai perskaitykite saugos instrukcijas.

GAMINIO APRAŠYMAS



VALDYMO SKYDELIS



- A** Įjungti / Išjungti
- B** Kaitvietės ir laikmačio pasirinkimas
- C-E** Karščio nustatymo padidinimas ir sumažinimas
- D** Mygtukų užraktą
- F** Sudėtinės kaitvietės įjungimas/išjungimas

NAUDOJIMAS PIRMĄ KARTĄ

Pirmą kartą įrengus, valdymo skydelis atlieka funkcijų testą, trunkantį maždaug 1 sekundę, po to automatiškai įjungiamą "Mygtukų užraktą" funkcija. Kad išjungtumėte funkciją, paspauskite ir laikykite paspaudę "D" mygtuką;

išgirsite garsinį signalą ir išsijungs atitinkama led lemputė.

PASTABA: Jei funkcija neišsijungia, pakartokite anksčiau aprašytą veiksmą.

KASDIENIS NAUDOJIMAS

KAITLENTĖS ĮJUNGIMAS / IŠJUNGIMAS

Norėdami įjungti kaitlentę, laikykite nuspaudę "A" mygtuką maždaug 2 sekundes. 4 kaitviečių ekranuose matysite "0". Jei per 20 sekundžių neaktyvinama nė viena kaitvietė, kaitlentė išsijungia automatiškai kaip atsargumo priemonė.

KAITVIEČIŲ ĮJUNGIMAS IR REGULIAVIMAS

Paspauskite vieną iš "B" mygtukų, atitinkančių kaitvietę, kurią ketinate naudoti. Pasirinkite reikalingą karščio nustatymą "E" arba "C" mygtukais. Kiti pasirinkami gaminimo nustatymai yra nuo 1 iki 9. Norėdami atšaukti visus nustatymus, paspauskite "+/-" mygtukus tuo pačiu metu.

SVARBU: pasirinkus karščio nustatymą, 10 sekundžių išsijungiamas valdymas. Norėdami pakeisti karščio nustatymą, pirmiausia vėl paspauskite pasirinkimo mygtuką "B", tuomet pakeiskite nustatymą naudodami "E" arba "C" mygtukus.

KELIŲ KAITVIEČIŲ FUNKCIJA

Pasirinkę norimą kaitvietę ir nustatę jos karščio lygį (kaip aprašyta ankstesniame skyriuje), paspauskite "F": užsidegs virš mygtuko esantis indikatorius, aktyvindamas papildomą kaitvietę.

Kelių kaitviečių funkcija gali būti naudojama, jei:

- Kaitlentėje yra kelios kaitvietės;
- Pasirinktas karščio lygis yra didesnis nei 0.

Norėdami išjungti kelias kaitvietes, paspauskite pageidaujamos kaitvietės "B" mygtuką, o tada dar kartelį "F" mygtuką.

TIMER

Norėdami nustatyti "Timer" (Laikmačio) funkciją, pasirinkite pageidaujamą kaitvietę ir karščio nustatymą, tada vėl paspauskite kaitvietės mygtuką – ekrane, laikmačio valdomoje kaitvietėje, atsiras šviečiantis taškas. Indikatorius "00" mirksi 2 ekranuose. Paspauskite "E" arba "C" mygtukus, kad nustatytumėte laiką nuo 1 iki 99.

SVARBU: po 10 sekundžių laikmačio ekrane matysite kitų kaitviečių karščio nustatymus.

Norėdami sužinoti likusį gaminimo laiką, paspauskite laikmačio valdomos kaitvietės mygtuką du kartus.

A FUNKCIJA

Naudojant šią funkciją galima automatiškai sumažinti gaminimo zonos galios lygį nuo didžiausios vertės (9 lygis) iki naudotojo vėlesniam gaminimo etapui pasirinkto lygio.

Norėdami suaktyvinti šią funkciją pirma paspauskite mygtuką "+", kai pasiekiamas 9 lygis.

Ekrane rodomi simboliai "A" ir "9" pakaitomis mirksi nedideliu ryškumu.

Tada mygtuku "-" pasirinkite pageidaujama galios lygį (mažesnę nei 9).

Ekrane pakaitomis nedideliu ryškumu mirksės "A" ir pasirinktas lygis.

Funkcija bus įjungta, kai simbolis "A" ir pasirinktas galios lygis ekrane pakaitomis mirksės dideliu ryškumu.

Kai ekrane nebematyti simbolio "A" ("A" funkcija automatiškai išsijungia po kelių minučių, priklausomai nuo nustatyto galios lygio), gaminimo procesas tęsiamas mažesne galia, o ekrane rodomas tik pasirinktas galios lygis.

PASTABA. Ši funkcija negalima naudojant 9 lygį.



MYGTUKŲ UŽRAKTĄ

"Mygtukų užraktą" funkcija įjungiama laikant nuspaudus "D" mygtuką, kol virš funkcijos mygtuko užsidega taškas. Valdymo skydelis užrakintas, išskyrus išjungimo funkciją. Funkcija lieka įjungta, net išjungus ir vėl įjungus kaitlentę; funkcija gali būti išjungta dar kartą paspaudus mygtuką "D", kol neužgeso virš funkcijos mygtuko esantis taškas.

Kai kaitlentė išjungžiama su įjungtu mygtukų užraktu, norėdami įjungti kaitlentę, pirma išjunkite mygtukų užrakto funkciją dar kartą paspausdami mygtuką "D", kol taškas virš funkcinio mygtuko užges.

Iš puodų ar kitų indų ant valdiklių išpiltas vanduo gali netyčia įjungti arba išjungti mygtukų užraktą.



LIKUTINĖS ŠILUMOS INDIKATORIUS

Išjungus kaitvietę, likutinės šilumos indikatorius "H" lieka įjungtas arba mirksi pasikeisdamas su "0", kol kaitlentės temperatūra grįžta į saugų lygį.

SVARBU: Viena iš kaitlentės saugumo funkcijų – automatinė išsijungimo funkcija. Užsitęsęs to paties karščio nustatymo naudojimas automatiškai išjungia kaitvietę (pavyzdžiui, maždaug po 1 valandos kaitvietės naudojimo maksimaliu karščiu, kaitvietė išsijungia).

SVARBU: Jei nenorite sugadinti kaitlentės:

- nenaudokite puodų, kurių dugnas nėra visiškai plokščias;
- nenaudokite metalinių puodų su emaliuotu dugnu;
- nedėkite karštų puodų / keptuvių ant valdymo skydelio.

Kaitlentėje taip pat yra automatinio išsijungimo funkcija, kuri išjungia gaminimo zoną, jei po tam tikro laiko, priklausomai nuo galios nustatymo, nepakeičiamas galios lygis. Lentelėje pateikiama kiekvieno galios lygio trukmė.

GALINGUMO LYGIS	AUTOMATINIS IŠJUNGIMO LAIKAS
0	30 sekundžių
1	10 valandų
2	5 valandos
3	5 valandos
4	4 valandos
5	3 valandos
6	2 valandos
7	2 valandos
8	2 valandos
9	1 valanda

KEPIMO SĄLYGŲ LENTELĖ

GALINGUMO LYGIS		GAMINIMO TIPAS	NAUDOJAMAS LYGMUO (nurodo gaminimo patirtį ir įpročius)
Maksimali galia	9	Virimas	Idealiai tinka greitai padidinti maisto temperatūrą ir greitai užvirti vandenį arba pašildyti kitus virimo skysčius.
	9–8	Paskrudinimas	Idealiai tinka paskrudinti, pradėti virti, skrudinti užšaldytus produktus, greitai virti.
Didelis galingumas	8–7	Skrudinimas – virimo palaikymas – kepimas ant grotelių	Idealiai tinka skrudinti, palaikyti intensyvų virimą, gaminti ir kepti ant grotelių (trumpai, 5–10 min.)
	7–6	Kepimas – gaminimas – kepimas ant grotelių	Idealiai tinka palaikyti lėtą virimą, gaminti ir kepti ant grotelių (vidutinė trukmė, 10–20 min.), pakaitinti ir kepti.
Vidutinis galingumas	6–5	Švelnus kepimas	Idealiai tinka kepant kiaušinius ir omletus.
	5–4	Gaminimas – Virinimas – Troškinimas	Idealiai tinka ilgo gaminimo receptams (ryžių, padažų, kepsnių, žuvies) su skysčiais (pvz., vandeniu, vynu, sultiniu, pienu), makaronų su padažu paruošimui.
	4–3	Sutirštinimas – makaronų su padažu paruošimas	
Mažas galingumas	2–1	Šilto maisto išlaikymas – kreminis daugiaryžis	Idealiai tinka išlaikant šviežiai pagamintą maistą (pvz., padažus, sriubas, minestrone), kreminį daugiaryžį šiltą ir palaikant pagaminto maisto temperatūrą.
Mažiausi galia	1	Atitirpdymas	Idealiai tinka atitirpdant smulkius produktus ir švelniai tirpinant šokoladą arba sviestą.
Nulinis galingumas	0	–	Budėjimo režimu veikianti arba išjungta kaitlentė (gali būti įkaitusi nuo gaminimo; tą parodo "H" raidė).

VALYMAS IR PRIEŽIŪRA

⚠ Nuo prietaiso atjunkite elektros maitinimą.

- Nenaudokite valymo garais įrangos.
- Nenaudokite šiurkščių kempinių arba šveistukų, nes jie gali pažeisti stiklą.
- Valykite kaitlentę po kiekvieno naudojimo (kai atvėsta), kad pašalintumėte maisto likučius ir dėmes.

- Cukrus arba maisto produktai, kurių sudėtyje yra daug cukraus, gali pakenkti kaitlentei, todėl juos reikia nedelsiant pašalinti.
- Druska, cukrus ir smėlis gali subraižyti stiklo paviršių.
- Naudokite minkštą šluostę, sugeriantį virtuvinį popierių arba specialų kaitlenčių valiklį (vadovaukitės gamintojo nurodymais).
- Ant kaitvietės išsiliejus skysčiui, puodai gali pajudėti arba imti vibruoti.
- Nuvalytą kaitlentę kruopščiai nusauskite.

Hotpoint

ARISTON

TRIKČIŲ ŠALINIMAS

Jei kaitlentė neveikia tinkamai, prieš kreipdamiesi į techninės priežiūros po pardavimo tarnybą peržiūrėkite Gedimų šalinimo vadovą ir pabandykite nustatyti problemą.

- Perskaitykite ir vadovaukitės instrukcijomis, kurios pateikiamos skyriuje "Kasdienis naudojimas".
- Patikrinkite, ar neatjungtas elektros tiekimas.
- Nuvalę gerai nusauskite kaitlentę.
- Jei pasirinkus gaminimo zoną ekrane rodoma "F" arba "ER", o po to rodomas skaičius, kreipkitės ir informuokite techninės priežiūros po pardavimo tarnybą.
- Jei rodomas klaidos kodas "F03", "ER03" arba "E02", pabandykite išspręsti problemą vadovaudamiesi šiomis instrukcijomis.
 - Jei rodoma klaida "E02", įsitikinkite, kad nespaudėte mygtukų ilgiau nei 5 sekundes, kad ant HMI srities nėra jokių objektų ir kad ji yra švari ir sausa; valydamis vadovaukitės techninės priežiūros ir valymo skyriuje pateikta informacija.
 - Jei rodoma klaida "F03", pabandykite išjungti ir vėl įjungti kaitlentę.

- Jei rodoma klaida "F04", kreipkitės į techninės priežiūros po pardavimo tarnybą ir nurodykite kodą.
- Jei kaitlentė neveikia dėl intensyvaus naudojimo, kaitlentės vidinė temperatūra per aukšta. Palaukite keletą minučių, kol kaitlentė atvės.
- Jei šildytuvas veikia ne nuolat, o cikliškai įsijungia ir išsijungia, net jei ekrane rodoma, kad galios lygis nesikeičia, tai yra normalus kaitlentės veikimas. Įjungimo ir išjungimo ciklas leidžia reguliuoti šildytuvo galią ir tai yra visiškai normalu. Kai kuriais atvejais šiluminė apsauga gali kuriam laikui išjungti šildytuvą, kad būtų išvengta stiklo pažeidimų. Tokių atvejų pavyzdžiai: ilgai gaminama dideliu galingumu, naudojami už kaitinimo elementą mažesni indai ir indai yra ne plokščiu dugnu.
- Jei vartotojui nespaudžiant jokių mygtukų kaitlentė skleidžia trumpą garsą, pasirūpinkite ant HMI išsiliejusiais skysčiais. Nausausinkite HMI ir toliau naudokite kaitlentę. Jei kaitlentė buvo automatiškai išjungta, taip galėjo nutikti dėl ant HMI išsiliejusių skysčių. Nausausinkite HMI ir vėl įjunkite kaitlentę.

Jei atlikus šias patikras gedimas nepašalinamas, kreipkitės į artimiausią techninės priežiūros po pardavimo tarnybą.

TECHNINĖS PRIEŽIŪROS CENTRAS

Kad galėtumėte tinkamai pasinaudoti pagalba, užregistruokite gaminį svetainėje www.hotpoint.eu/register.

TECHNINĖS PRIEŽIŪROS CENTRAS

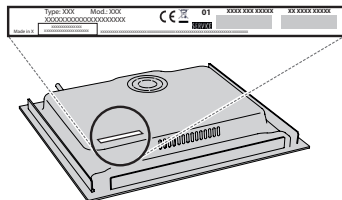
1. Vadovaudamiesi skyriaus **TRIKČIŲ ŠALINIMAS** patarimais pamėginkite problemą pašalinti patys.
2. Prietaisą išjunkite ir vėl įjunkite, kad patikrintumėte, ar triktis nepašalinama.

JEI ATLIKUS ŠIAS PATIKRAS TRIKTIS NEPAŠALINAMA, KREIPKITĖS Į ARTIMIAUSIĄ TECHNINĖS PRIEŽIŪROS CENTRĄ

Jei reikia pagalbos, skambinkite garantiniame lankstinuke nurodytu numeriu arba vykdykite nurodymus, pateikiamus svetainėje www.hotpoint.eu.

Kreipdamiesi į techninės priežiūros centrą visada nurodykite:

- trumpą gedimo aprašymą;
- prietaiso tipą ir tikslų modelį;



- serijos numeris (numeris nurodomas po žodžio SN techninių duomenų plokštelėje). Serijos numeris taip pat yra nurodytas dokumentacijoje;



Mod. **xxx xxx**

Ind.C. **xxxx xxxx xxxx**

SN: **xxxx xxxx xxxx**

Prod.N. **xxxx xxxx xxxx**

- savo tikslų adresą;
- savo telefono numerį.

Jei reikalingas remontas, kreipkitės į įgaliotą techninės priežiūros centrą (tada turėsite garantiją, jog bus naudojamos originalios atsarginės dalys ir remontas bus atliktas tinkamai).

Politiką, standartinę dokumentaciją ir papildomą informaciją galite rasti atlikdami toliau nurodytus veiksmus:

- Naudodami QR kodą ant jūsų prietaiso;
- Apsilankę mūsų svetainėje docs.hotpoint.eu;
- Arba **kreipdamiesi į techninės priežiūros centrą** (žr. telefono numerius garantijos lankstinuke). Kreipiantis į techninės priežiūros centrą būtina pateikti gaminio duomenų plokštelėje nurodytus kodus.



DROŠĪBAS NORĀDĪJUMI

NOTEIKTI JĀIZLASA UN JĀIEVĒRO

Lejupielādējiet pilno instrukciju rokasgrāmatu vietnē <http://docs.hotpoint.eu> vai piezvaniet uz tālruna numuru, kas norādīts garantijas bukletā.

Pirms ierīces lietošanas izlasiet šos drošības norādījumus. Saglabājiet šos norādījumus turpmākām uzziņām.

Šī rokasgrāmata un pati ierīce sniedz svarīgus drošības brīdinājumus, kas ir jāizlasa un vienmēr jāievēro. Ražotājs neuzņemas atbildību par bojājumiem, kas radušies nepiemērotas lietošanas vai nepareizu vadības elementu iestatīšanas dēļ.

⚠ **BRĪDINĀJUMS!** Neizmantojiet ierīci, ja plīts virsma ir saplaisājusi – pastāv strāvas trieciena risks.

⚠ **BRĪDINĀJUMS!** Aizdeģšanās risks: neuzglabājiet piederumus uz gatavošanas virsmas.

⚠ **UZMANĪBU!** Gatavošanas process ir jāuzrauga. Neilgs gatavošanas process ir nepārtraukti jāuzrauga.

⚠ **BRĪDINĀJUMS!** Gatavošana uz plīts virsmas bez uzraudzības, izmantojot taukvielas vai eļļu, var būt bīstama – aizdegšanās risks. NEKAD nemēģiniet dzēst ugunsgrēku ar ūdeni: tā vietā izslēdziet ierīci un apsedziet liesmu, piemēram, ar vāku vai uguns slāpēšanas materiālu.

⚠ Neizmantojiet plīti kā darbvirsmu vai atbalstu. Neļaujiet ierīcei saskarties ar audumu vai citiem viegli uzliesmojošiem materiāliem, kamēr visas detaļas nav pilnīgi atdzisušas – pastāv aizdegšanās risks.

⚠ Ļoti maziem bērniem (0-3 gadi) jāatrodas drošā attālumā no ierīces. Maziem bērniem (3-8 gadi) jāatrodas drošā attālumā no ierīces, ja vien tie netiek nepārtraukti uzraudzīti. Bērni no 8 gadu vecuma un personas ar fiziskiem, jušanas vai garīgiem traucējumiem vai bez pieredzes un zināšanām var lietot šo ierīci, ja tās tiek uzraudzītas vai instruētas par ierīces drošu lietošanu un izprot ar to saistītos riskus. Bērni nedrīkst spēlēt ar ierīci. Ierīces tīrīšanu un apkopi nedrīkst veikt bērni bez pieaugušo uzraudzības.

⚠ **BRĪDINĀJUMS!** Lietošanas laikā ierīce un tās atklātās daļas uzkarst. Nepieskarieties sildelementiem. Bērniem līdz 8 gadu vecumam ir jāatrodas drošā attālumā no ierīces, ja vien tie netiek nepārtraukti uzraudzīti.

ATĻAUTĀ LIETOŠANA

⚠ **UZMANĪBU!** Ierīci nav paredzēts darbināt ar ārēju slēdža ierīci, piemēram, taimeri vai atsevišķu tālvadības sistēmu.

⚠ Šo ierīci ir paredzēts izmantot sadzīvē un tamlīdzīgi, piemēram: personāla virtuves zonās veikalos, birojos un citās darba vidēs; zemnieku saimniecībās; klientu istabās viesnīcās, moteļos un citās līdzīga tipa apmešanās vietās.

⚠ Neizmantojiet to citiem nolūkiem (piemēram, telpu apsildei).

⚠ Šī ierīce nav paredzēta profesionālai lietošanai. Neizmantojiet ierīci ārpus telpām.

MONTĀŽA

⚠ Ierīces pārvietošana un uzstādīšana jāveic vismaz diviem cilvēkiem – pastāv savainojumu risks. Izmantojiet aizsargcimdus visos izsaiņošanas un uzstādīšanas darbos – pastāv risks sagriezties.

⚠ Montāžu, tajā skaitā ūdens sistēmas (ja tāda ir) un elektrosavienojumu uzstādīšanu, un remontu drīkst veikt tikai kvalificēts tehniķis. Nelabojiet un nemainiet ierīces detaļas, ja vien tas nav tieši norādīts lietotāja rokasgrāmatā. Neļaujiet bērniem atrasties ierīces montāžas vietas tuvumā. Pēc ierīces izsaiņošanas pārliecinieties, vai pārvadāšanas laikā tā nav bojāta. Problēmu gadījumā sazinieties ar izplatītāju vai tuvāko pēcpārdošanas apkopes centru. Pēc ierīces montāžas novietojiet iepakojuma materiālus (plastmasas un polistirola daļas u.c.) bērniem nepieejamā vietā – pastāv nosmakšanas risks. Pirms ierīces uzstādīšanas tai jābūt atvienotai no elektrotīkla – pastāv elektriskā trieciena risks. Uzstādīšanas laikā sekojiet, lai ierīce nesabojātu barošanas kabeli – pastāv aizdegšanās un strāvas trieciena risks. Ieslēdziet ierīci tikai tad, kad montāža ir pabeigta.

⚠ Uzmanīgi veiciet skapja zāgēšanas darbus pirms ierīces uzstādīšanas vietā un rūpīgi noslaukiet visas koka skaidas un putekļus.

⚠ Ja ierīci neuzstāda virs krāsns, atdalošo paneli (nav iekļauts) jāuzstāda nodaļījumā zem ierīces.

ELEKTRISKIE BRĪDINĀJUMI

⚠ Jānodrošina iespēja atvienot ierīci no strāvas padeves, to vienkārši atslēdzot, ja pieejama kontaktdakša, vai ar divpolu slēdzi, kas uzstādīts pirms kontaktligzdas pēc elektroinstalācijas noteikumiem, un ierīcei jābūt zemētai atbilstoši valsts elektrības drošības standartiem.

⚠ Neizmantojiet pagarinātājus vai vairākspraudņu kontaktlīgšanas vai adapterus. Pēc ierīces uzstādīšanas tās elektriskās sistēmas detaļas nedrīkst būt pieejamas. Neizmantojiet ierīci ar mitrām rokām vai basām kājām. Nelietojiet šo ierīci, ja bojāts tās strāvas kabelis vai kontaktdakša, ja tā nedarbojas pareizi vai tā ir bojāta vai tikusi nomesta.


⚠ Uzstādīšana, izmantojot elektrokabeļa spraudni, ir aizliegta, ja vien izstrādājums nav aprīkots ar Ražotāja piegādāto kabeli.

⚠ Ja padeves kabelis ir bojāts, tas jāaizvieto ar identisku, nomaiņa jāveic ražotājam, tā apkalpošanas dienesta aģentam vai līdzīgas kvalifikācijas personai, lai izvairītos no bīstamības – strāvas trieciena riska.


TĪRĪŠANA UN APKOPE

⚠ **BRĪDINĀJUMS!** Pārliecinieties, ka pirms apkopes darbību veikšanas ierīce ir izslēgta un atvienota no

strāvas padeves – pastāv strāvas trieciena risks; nekad nelietojiet tvaika tīrīšanas iekārtu – pastāv strāvas trieciena risks.

 Nelietojiet abrazīvus vai kodīgus izstrādājumus, tīrīšanas līdzekļus uz hlora bāzes vai pannu tīrīšanas līdzekļus.

IĒPAKOJUMA MATERIĀLU UTILIZĀCIJA


Iepakojuma materiāls ir 100 % pārstrādājams un tiek apzīmēts ar otrreizējās pārstrādes simbolu .

Tādēļ dažādas iepakojuma daļas jāutilizē atbildīgi un saskaņā ar vietējiem atkritumu apsaimniekošanas noteikumiem.

MĀJSAIMNIECĪBAS IERĪČU UTILIZĀCIJA

Šī ierīce ir izgatavota no pārstrādājamiem un atkārtoti izmantojamiem materiāliem. Utilizējiet to saskaņā ar vietējiem atkritumu apsaimniekošanas noteikumiem. Plašāku informāciju par lietotu mājtsaimniecības ierīču apstrādi, atjaunošanu un pārstrādi varat iegūt vietējās varas iestādes, pie atkritumu savākšanas pakalpojumu sniedzējiem vai veikalā, kur ierīci iegādājāties. Šī ierīce ir marķēta saskaņā ar Eiropas Savienības Direktīvu 2012/19/ES par elektrisko un elektronisko iekārtu atkritumiem (EELA) un saskaņā ar 2013. gada Regulu par elektrisko un elektronisko iekārtu atkritumiem (un tās grozījumiem).

Nodrošinot šīs ierīces pareizu utilizāciju, varat novērst iespējamo negatīvo vides un cilvēka veselības apdraudējumu.

 simbols uz izstrādājuma vai komplektācijā iekļautajiem dokumentiem norāda, ka šo ierīci nevar izmest sadzīves atkritumos, bet tā ir jānodod pārstrādei elektrisko un elektronisko ierīču savākšanas centrā.

IETEIKUMI ENERĢIJAS TAUPĪŠANAI

Izmantojiet savas plīts atlikušo karstumu, izslēdzot to dažas minūtes pirms beidzat gatavot.

Katla vai pannas pamatnei pilnībā jānosēd attiecīgais laukums uz plīts virsmas; tvertne, kas ir mazāka par attiecīgo laukumu uz plīts virsmas, radīs enerģijas izšķērdēšanu.

Gatavojot nosēdriet katlus un pannas ar cieši piegulošiem vākiem un izmantojiet pēc iespējas mazāk ūdens. Gatavojot, kad noņemts vāks, tiek patērēts daudz vairāk enerģijas.

Izmantojiet katlus un pannas tikai ar plakanām pamatnēm.

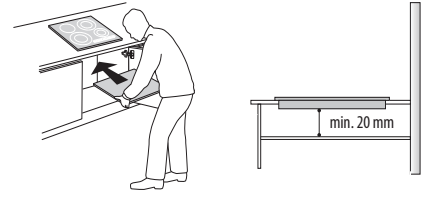
PAZIŅOJUMS PAR ATBILSTĪBAS DEKLARĀCIJU

Šī ierīce atbilst Eiropas Regulas 66/2014 ekodizaina prasībām un 2019. gada noteikumiem saistībā ar ekodizaina prasībām ar enerģiju saistītiem ražojumiem un enerģijas informāciju (grozījums) (ES izvešana) saskaņā ar Eiropas standartu EN 60350-2.



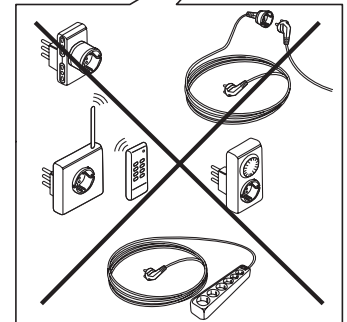
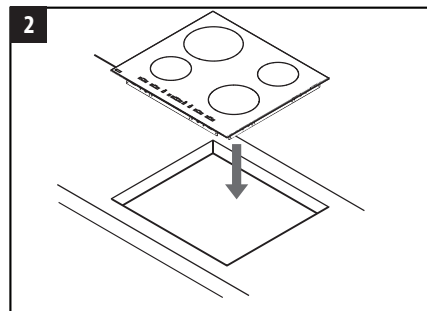
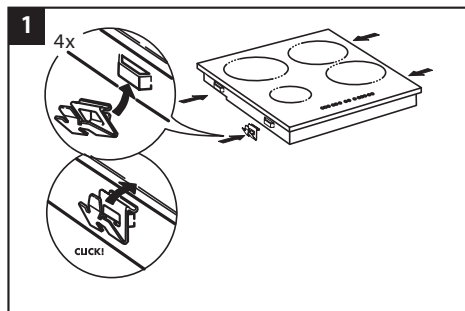
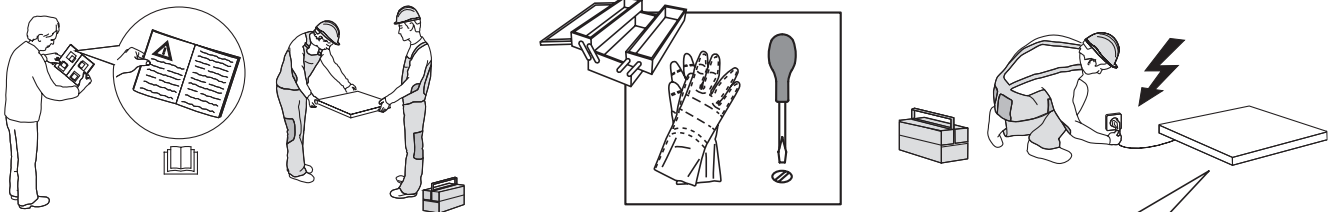
MONTĀŽA

- Plīts virsma ir jāievieto darba virsmā vismaz 20 mm dziļumā.
- Starp pagatavošanas virsmu un cepeškrāsni nedrīkst būt nekādu priekšmetu (šķērsvirziena vadotņu, kronšteinu u. c.).
- Pārliecinieties, ka elektrokabelis ir pietiekoši garš, lai būtu iespējama droša ierīces uzstādīšana.
- Attālumam starp apakšējo stikla keramikas plīts virsmu un skapi vai atdalšo paneli jābūt vismaz 20 mm.
- Iebūvēšanas izmērus un uzstādīšanas informāciju skatiet šīs sadaļas attēlā.
- Ievērojiet minimālo attālumu starp plīts virsmu un tvaiku nosūcēju virs tās. Papildinformāciju skatiet tvaiku nosūcēja lietošanas rokasgrāmatā.
- Pēc pagatavošanas virsmas notīrīšanas lietojiet komplektā iekļauto paplāksni (ja vien tā jau nav uzstādīta).
- **Neuzstādiet pagatavošanas virsmu trauku vai veļas mazgājamās mašīnas tuvumā, lai elektroniskās shēmas nenokļūtu saskarē ar tvaiku vai mitrumu, kas tās var sabojāt.**
- Ja zem pagatavošanas virsmas ir uzstādīta cepeškrāsns, pārbaudiet, vai tā ir aprīkota ar dzesēšanas sistēmu. Ja elektronisko shēmu temperatūra pārsniedz maksimāli pieļaujamo temperatūru, pagatavošanas virsma tiks automātiski izslēgta. Šādā gadījumā uzgaidiet dažas minūtes, līdz elektronisko shēmu iekšējā temperatūra sasniedz pieņemamu līmeni, kādā var atkal ieslēgt plīts virsmu.

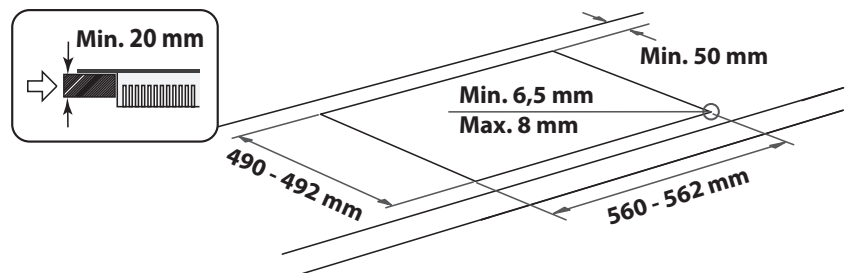
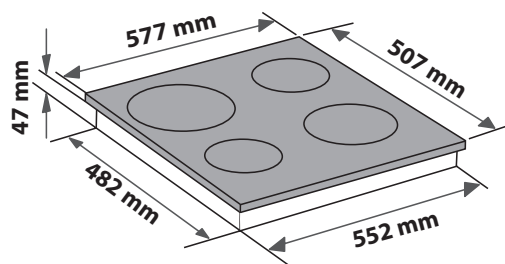
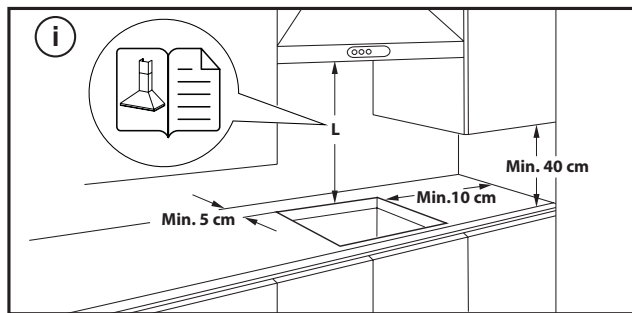


PLĪTS VIRSMAS NOVIETOJUMS

Pēc elektrosistēmas pieslēgšanas (skatiet nodaļu "Elektriskais pieslēgums") novietojiet katru paredzēto atveru fiksācijas skavu plīts virsmas sānos, kā parādīts attēlā. Pēc tam iebīdīet plīts virsmu atvērumā un pārbaudiet, vai stikls atrodas līmeniski un paralēli darbvirsmai. Fiksācijas skavas ir piemērotas visu veidu darbvirsmas materiālam (koksnei, marmoram u. c.).



IZMĒRI UN ATTĀLUMI, KAS JĀIEVĒRO



PLĪTS VIRSMAS NOŅĒMŠANA:

Lai noņemtu plīts virsmu, vispirms atvienojiet to no elektrības padeves avota. Mēs noteikti iesakām atbrīvot apakšdaļu no cepeškrāsns, atvilktnēm, plauktu atdalītājiem vai citiem elementiem. Tas ļauj tehniķim brīvi piekļūt plīts virsmas apakšai, lai ar skrūvgriezi atbrīvotu četrus stiprinājumus, paceltu plīts virsmu un noņemtu to, nenodarot bojājumus darba virsmai.

ELEKTRISKAIS PIESLĒGUMS

Pirms ierīces pieslēgšanas elektrotīklam jāizveido elektriskais savienojums.

Elektrokabelis nav iekļauts iepakojumā - atcerieties, ka jums pašiem ir jāsagādā savs elektrokabelis.




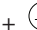
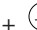
Uzstādīšanu drīkst veikt kvalificēts speciālists, kas pārzina pašreizējos drošības un uzstādīšanas normatīvus. Uzstādīšana it īpaši jāveic saskaņā ar valsts energoapgādes uzņēmuma noteikumiem.

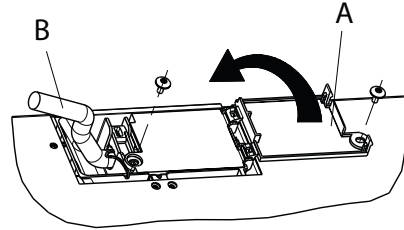
Pārbaudiet, vai datu plāksnītē, kas atrodas ierīces apakšpusē, norādītā sprieguma parametri atbilst mājas elektrotīkla sprieguma parametriem.

Saskaņā ar noteikumiem ierīce ir jāsazemē: izmantojiet tikai atbilstošu parametru vadītājus (tostarp zemējuma vadītāju).

PIEVIEŅOŠANA SPAIĻU BLOKAM

Elektriskajam pieslēgumam izmantojiet H05RR-F vai H05V2V2-F kabeli, kā norādīts zemāk tabulā.

BAROŠANAS SPRIEGUMS	VADĪTĀJI SKAITS x IZMĒRS
220-240V ~+ 	3 x 4 mm ²
230-240V ~+ 	3 x 4 mm ² (tikai Australija)
220-240V 3~+ 	4 x 1,5 mm ²
380-415V 3N~+ 	5 x 1,5 mm ²
380-425V 2N~+ 	4 x 1,5 mm ²



Ierīce jāpievieno barošanas avotam, izmantojot visu polu atvienošanas slēdzi, kura minimālā atstarpe starp kontaktiem ir 3 mm.

UZMANĪBU! Barošanas kabelim jābūt pietiekami garam, lai varētu izņemt pagatavošanas virsmu no darbvirsmas, kā arī novietot kabeli tā, lai izvairītos no bojājumiem vai pārkaršanas, ko rada saskare ar pamatni.

PIEZĪME: Dzeltenais/zaļais zemējuma vads jāpievieno spaiļei, kas apzīmēta ar simbolu  un šim vadam jābūt garākam par citiem vadiem.

- Noņemiet apm. 70 mm barošanas kabeļa apvalku (**B**).
- Noņemiet apm. 10 mm apvalku no vadiem. Pēc tam ievietojiet barošanas kabeli kabeļa skavā un pievienojiet vadus spaiļu blokam, kā norādīts savienojuma shēmā, kas redzama blakus spaiļu blokam.
- Nostipriniet barošanas kabeli (**B**) ar kabeļa skavu.
- Uzlieciet spaiļu panelim pārsegu (**A**), pieskrūvējot to ar komplektā iekļauto skrūve.
- Pēc elektriskā pieslēguma pabeigšanas uzstādiet plīts virsmu no augšpusē un aizāķējiet to aiz balsta atspērēm, kā parādīts attēlā.



PALDIES, KA IEGĀDĀJĀTIET WHIRLPOOL IZSTRĀDĀJUMU
Lai saņemtu pilnvērtīgu palīdzību, lūdzu, reģistrējiet savu produktu vietnē www.hotpoint.eu/register.

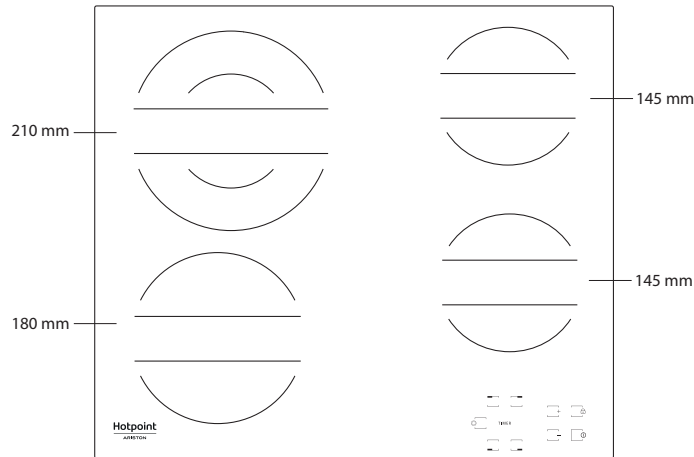


Pirms ierīces lietošanas rūpīgi izlasiet drošības norādījumus.

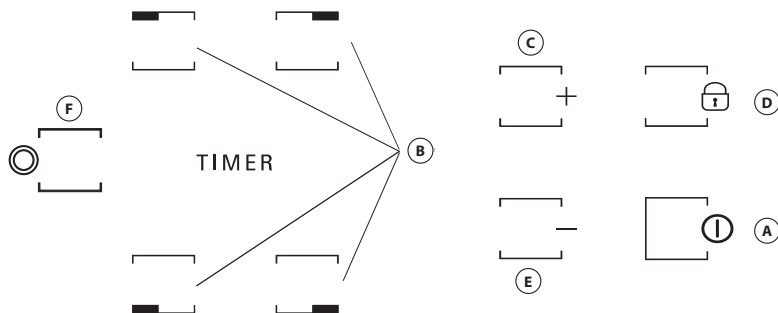
**LAI IEGŪTU VAIRĀK
INFORMĀCIJAS, SKENĒJIET
KVADRĀTKODU UZ IERĪCES**



IZSTRĀDĀJUMA APRAKSTS



VADĪBAS PANELIS



- A** Ieslēgts / Izslēgts
- B** Ediena gatavošanas zona un taimera iestatīšana
- C-E** Siltuma iestatījumu palielinašana un samazinašana
- D** Pogu bloķētāju
- F** Daudzdaļu zonas ieslēgšana/izslēgšana

PIRMĀ LIETOŠANAS REIZE

Pirmās uzstādīšanas laikā vadības panelis veic 1 sekundi ilgu funkcionālu pārbaudi, pēc kuras tas automātiski pārslēdzas uz "Pogu bloķētāju" funkciju. Lai deaktivētu šo funkciju, piespiediet un turiet pogu "D"; atskanēs skaņas

signāls, un izslēgsies atbilstošā led.

PIEZĪME: Ja notiek atiestate, atkārtojiet iepriekš aprakstīto procesu.

IKDIENAS IZMANTOŠANA



PLĪTS VIRSMAS IESLĒGŠANA/IZSLĒGŠANA

Lai ieslēgtu plīts virsmu, turiet pogu "A" piespiestu apm. 2 sekundes. 4 ēdiena gatavošanas zonu displeji rāda "0". Ja 20 sekunžu laikā neviena gatavošanas zona netiek aktivizēta, plīts virsma drošības deļ automātiski izslēdzas.

GATAVOŠANAS ZONU IESLĒGŠANA UN REGULĒŠANA

Piespiediet pogu "B" atbilstoši gatavošanas zonai, kuru plānojat izmantot. Izvēlieties siltuma iestatījumu ar pogām "E" vai "C". Pārējie izvēles gatavošanas iestatījumi ir no 1 līdz 9. Lai atceltu visus iestatījumus, vienlaikus piespiediet "+/-" pogas.

SVARĪGI! vadība tiek deaktivēta 10 sekundes pēc siltuma iestatījuma izvēles. Lai mainītu siltuma iestatījumu, vispirms vēlreiz piespiediet izvēles pogu "B", tad turpiniet mainīt iestatījumus, izmantojot pogas "E" vai "C".



VAIRĀKAS ZONAS

Pēc vēlamās zonas izvēles un līmeņa iestatīšanas (kā aprakstīts iepriekšējā nodaļā) piespiediet "F": aindikators virs pogas iedegsies, aktivizējās papildu zona.

Vairākas zonas var izmantot tikai, ja:

- Gatavošanas zonai ir vairākas zonas;
- Izvēlētais jaudas līmenis ir lielāks nekā 0.

Lai deaktivizētu vairākas zonas, piespiediet vēlamās zonas "B" pogu, tad vēlreiz piespiediet "F".

TIMER

Lai iestatītu taimera funkciju, izvēlieties vēlamu gatavošanas zonu un jaudas iestatījumu, tad piespiediet vēlreiz gatavošanas zonu, un taimera vadītās gatavošanas zonas displejā parādīsies spaidošs punkts. 2 displejos mirgo rādījums "00". Piespiediet pogas "E" vai "C", lai iestatītu laiku no 1 līdz 99.

SVARĪGI! pēc 10 sekundēm taimera displeji parādīs citu gatavošanas zonu jaudas iestatījumu.

Lai redzētu atlikušo gatavošanas laiku, divreiz piespiediet taimera vadīto gatavošanas zonas taustiņu.

A FUNKCIJA

Šī funkcija ļauj automātiski samazināt gatavošanas zonas jaudas līmeni no augstākās vērtības (9. līmenis) līdz līmenim, kuru lietotājs ir atlasījis ēst gatavošanas vēlākai fāzei.

Lai aktivizētu šo funkciju, vispirms nospiediet "+" pogu, kad ir sasniegts 9. līmenis. Displejā tiek attēlots "A" un pārmaiņus tam "9" blāvi mirgo. Tagad ar "-" pogu izvēlieties vēlamo jaudas līmeni (mazāku nekā 9). Displejā blāvi pārmaiņus mirgo "A" un atlasītais līmenis. Funkcija ir aktivizēta tad, kad displejā pārmaiņus spoži mirgo "A" un atlasītais līmenis. Kad displejā vairāk nav redzams "A" ("A" funkcija automātiski izslēdzas pēc dažām minūtēm, atkarībā no iestatītā jaudas līmeņa), gatavošanas process turpinās ar mazāku jaudu, un displejā ir redzams tikai atlasītais jaudas līmenis. **ATCERIETIES!** šī funkcija nav iespējama ar atlasītu 9. līmeni.

POGU BLOKĒTĀJU

Pogu bloķētāju funkcija tiek ieslēgta, turot uz leju pogu "D", kamēr iedegs punkts virs funkcijas pogas. Tiek bloķēts viss vadības panelis, izņemot izslēgšanas funkciju. Funkcija paliek ieslēgta arī pēc tam, kad plīts virsma ir izslēgta un atkal ieslēgta, un var tikt deaktivizēta, vēlreiz piespiežot "D" pogu, kamēr punkts virs funkcijas pogas nodzīst.

Plīts virsmai esot izslēgtai ir aktivizētu pogu bloķētāju, lai ieslēgtu plīts virsmu, vispirms deaktivizējiet pogu bloķēšanas funkciju, vēlreiz piespiežot "D" pogu, kamēr punkts virs funkcijas pogas nodzīst.

Ūdens, no katliem izšakstīties šķidrums un priekšmeti uz pogas simbola var nejauši aktivizēt vai deaktivizēt pogu bloķētāju.

H PALIEKOŠĀ SILTUMA INDIKATORS

Kad gatavošanas zona ir izslēgta, paliekošā siltuma indikators "H" paliek ieslēgts vai mirgo pārmaiņus ar "0", kamēr plīts virsmas temperatūra atkal ir drošā līmenī.

SVARĪGI! Plīts virsmas drošības īpašības ietver automātisku izslēgšanas funkciju. Ilgstoša vienādu siltuma iestatījumu lietošana automātiski izslēdz gatavošanas zonu (piemēram, apmēram pēc 1 stundas ar maksimālo siltuma iestatījumu gatavošanas zona izslēdzas).

SVARĪGI! Lai izvairītos no neatgriezeniskiem plīts virsmas bojājumiem:

- nelietojiet katlus, kuru apakšdaļas nav pilnīgi plakanas;
- neizmantojiet metāla katlus ar emaljētu apakšdaļu;
- nenovietojiet karstus katlus/pannas uz vadības panela.

Plīts virsma ir aprīkota arī ar "automātiskās izslēgšanās" funkciju, kas izslēdz gatavošanas virsmu, ja noteiktā laika posmā nav veiktas jaudas līmeņa izmaiņas, atkarībā no pašiem jaudas iestatījumiem. Tabulā ir norādīts ilgums katram attiecīgajam jaudas līmenim.

JAUDAS LĪMENIS	AUTOMĀTISKĀS IZSLĒGŠANĀS LAIKS
0	30 sekundes
1	10 stundas
2	5 stundas
3	5 stundas
4	4 stundas
5	3 stundas
6	2 stundas
7	2 stundas
8	2 stundas
9	1 stunda

GATAVOŠANAS TABULA

POWER LĪMENIS		GATAVOŠANAS VEIDS	IZMANTOTĀIS LĪMENIS (norāda uz gatavošanas pieredzi un ieradumiem)
Maksimālā jauda	9	Vārīšana	Ideāli piemērots straujai ēdiena temperatūras paaugstināšanai līdz ūdens vai šķidruma vārīšanās temperatūrai.
	9 – 8	Grilēšana	Ideāli piemērots apcepšanai, gatavošanas uzsākšanai, saldētu produktu cepšanai, ātrai vārīšanai.
Augsta jauda	8 – 7	Graudzēšana – ilgstoša vārīšana – grilēšana	Ideāli piemērots graudzēšanai, ilgstošas vārīšanās uzturēšanai, vārīšanai un grilēšanai (īss ilgums, 5–10 minūtes).
	7 – 6	Cepšana – gatavošana – grilēšana	Ideāli piemērots zemas temperatūras vārīšanās uzturēšanai, gatavošanai un grilēšanai (vidēji ilgi, 10–20 minūtes), priekšsildīšanai un cepšanai.
Vidēja jauda	6 – 5	Saudzīga cepšana	Ideāli piemērots olu cepšanai, omletēm.
	5 – 4	Gatavošana – lēnai vārīšanai – sautēšana	Ideāli piemērots ilgstošai gatavošanai (rīsi, mērces, cepeši, zivis) ar šķidrumiem (piemēram, ūdeni, vīnu, buljonu, pienu), makaronu krēmiem.
	4 – 3	Biezinašana — makronu krēmiem	
Zema jauda	2 – 1	Silta ēdiena uzturēšana – risoto krēmam	Ideāli piemērots tikko pagatavotu ēdienu (piemēram, mērču, zupu) karstuma uzturēšanai, risoto krēma pagatavošanai un servējamo ēdienu karstuma uzturēšanai.
Minimālā jauda	1	Atkausēšana	Ideāli piemērots nelielu produktu atkausēšanai un maigai šokolādes vai sviesta kausēšanai.
Bez jaudas	0	–	Virsmas gaidīšanas režīmā vai izslēgta (iespējama atlikušā siltuma izdalīšanās, ko norāda burts "H").

TĪRĪŠANA UN APKOPE

⚠ Atvienojiet ierīci no elektrotīkla.

- Neizmantojiet tvaika tīrīšanas ierīces.
- Neizmantojiet abrazīvus un skrāpējošus sūkļus.
- Pēc katras lietošanas reizes notīriet plīts virsmu (kad tā ir atdzisusi), lai noņemtu visas nogulsnes un ēdiena traipus.
- Cukurs un pārtikas produkti ar augstu cukura saturu var sabojāt plīts virsmu, tāpēc tie jānotīra nekavējoties.

- Sāls, cukurs un smiltis var saskrāpēt stikla virsmu.
- Izmantojiet mīkstu drāniņu, virtuves dvieļi vai speciālu plīts virsmu tīrītāju (ievērojiet ražotāja norādījumus).
- Izlījuši šķidrums gatavošanas zonās var izraisīt katlu pārvietošanos vai vibrāciju.
- Pēc plīts virsmas tīrīšanas, rūpīgi nosusiniet.

Hotpoint

ARISTON

PROBLĒMU RISINĀŠANA

Ja plīts virsma nedarbojas pareizi, pirms sazināties ar klientu apkalpošanas dienestu, skatiet problēmu novēršanas pamācību, lai noteiktu problēmu.

- Izlasiet un izpildiet norādījumus, kas sniegti sadaļā "Ikdienas izmantošana".
- Pārbaudiet, vai nav radies elektroapgādes pārtraukums.
- Pēc plīts virsmas tīrīšanas rūpīgi noslaukiet to.
- Ja gatavošanas virsma ir tikusi atlasīta un displejā parādās "F" vai "ER", kam seko cipars, sazinieties ar mūsu Pēcpārdošanas apkalpošanas servisu un informējiet par šo stāvokli.
- Ja kļūdas kods ir "F03", "ER03" vai "E02", mēģiniet atrisināt problēmu, sekojot šiem norādījumiem:
 - Ja parādās kļūda "E02", pārliecinieties, ka neesat nospieduši pogas ilgāk nekā 5 sekundes, ka uz HMI virsmas neatrodas priekšmeti un ka virsma ir tīra un sausa; veicot tīrīšanu, lūdzam ievērot ieteikumus sadaļā par apkopi un tīrīšanu.
 - Ja parādās kļūda "F03", mēģiniet izslēgt un atkal ieslēgt gatavošanas virsmu.
 - Ja parādās kļūda "F04", sazinieties ar Pēcpārdošanas apkalpošanas servisu un informējiet par redzamo kļūdas kodu.

- Ja plīts virsma nedarbojas pēc intensīvas lietošanas, plīts virsmas iekšējā temperatūra ir pārāk augsta. Pagaidiet dažas minūtes, kamēr plīts virsma atdziest.
- Ja deglis nav pastāvīgi ieslēgts, bet pārmaiņus ieslēdzas un izslēdzas arī tad, ja jaudas līmenis displejā nemainās, tā ir plīts virsmas normālas darbības daļa. Ieslēgšanās/izslēgšanās cikls ļauj nodrošināt degļa jaudas regulāciju, un tā ir pilnīgi normāla parādība. Dažos gadījumos termiskās aizsardzības sistēma var izslēgt degli uz neilgu laiku, lai novērstu virsmas stikla bojājumus. Šeit ir piemēri tādiem gadījumiem: ilglaicīga gatavošana ar augstu jaudas līmeni, izmantojot katlus, kuri ir mazāki par sildes elementa virsmu un kuru apakšdaļa nav plakana.
- Ja plīts virsmas izdala retas skaņas tad, ja lietotājs nav nospiedis kādu pogu, lūdzam notīrīt šķidrumus uz HMI. Lūdzam, nosusiniet HMI un turpiniet izmantot plīts virsmu. Ja plīts virsma ir izslēgta automātiski, to var būt izraisījis šķidrums uz HMI. Lūdzam, nosusiniet HMI un atkal ieslēdziet plīts virsmu.

Ja pēc iepriekš minēto pārbaudu veikšanas kļūmi neizdodas novērst, sazinieties ar tuvāko klientu apkalpošanas dienestu.

PĒCPĀRDOŠANAS SERVISS

Lai saņemtu pilnvērtīgu palīdzību, lūdzam, reģistrējiet savu ierīci vietnē www.hotpoint.eu/register.

PIRMS SAZINĀTIES AR PĒCPĀRDOŠANAS APKALPOŠANAS DIENESTU:

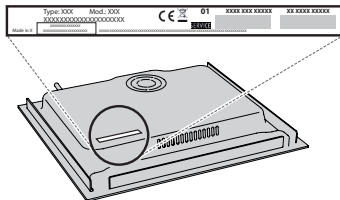
1. Mēģiniet atrisināt problēmu saviem spēkiem, izmantojot šeit atrodamo **PROBLĒMU RISINĀŠANA**.
2. Izslēdziet ierīci un ieslēdziet to vēlreiz, lai pārliecinātos, vai problēma ir novērsta.

JA PĒC IEPRIEKŠMINĒTĀJĀM PĀRBAUDĒM PROBLĒMA NAV NOVĒRSTA, SAZINIETIES AR TUVĀKO PĒCPĀRDOŠANAS APKALPOŠANAS DIENESTU.

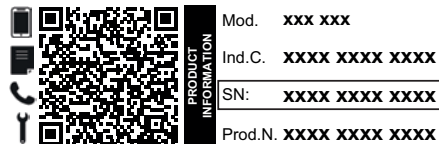
Lai saņemtu palīdzību, zvaniet uz garantijas grāmatiņā norādīto numuru vai sekojiet norādījumiem tīmekļa vietnē www.hotpoint.eu.

Sazinoties ar klientu pēcpārdošanas apkalpošanas dienestu, vienmēr norādiet:

- īsu kļūmes aprakstu;
- precīzu ierīces veidu un modeli;



- sērijas numurs (skaitlis pēc vārda SN uz tehnisko datu plāksnes zem ierīces). Sērijas numurs ir norādīts arī dokumentācijā;



- savu pilno adresi;
- savu tālruna numuru.

Ja nepieciešams remonts, lūdzam, sazinieties ar pilnvarotu Pēcpārdošanas apkopes centru (lai būtu garantija, ka tiek izmantotas tikai oriģinālās rezerves daļas un remonts tiktu veikts pareizi).

Noteikumi, standarta dokumentācija un papildu informācija izstrādājumu ir pieejama:

- Izmantojot QR kodu jūsu iekārtā;
- Apmeklējot mūsu tīmekļa vietni docs.hotpoint.eu;
- Vai arī **sazinieties ar mūsu pēcpārdošanas apkopes dienestu** (tālruna numurs norādīts garantijas bukletā). Sazinoties ar mūsu pēcpārdošanas centru, lūdzam, nosauciet kodus, kas redzami izstrādājuma datu plāksnītē.



Prenesite celotna navodila za uporabo na <http://docs.hotpoint.eu> ali pokličite telefonsko številko, navedeno v garancijski knjižici.

Pred uporabo aparata preberite ta varnostna navodila. Navodila hranite na dosegu roke za prihodnjo uporabo. V navodilih za uporabo in na aparatu so pomembna varnostna navodila, ki jih mora uporabnik prebrati in vedno upoštevati. Proizvajalec ne prevzema odgovornosti v primeru neupoštevanja varnostnih navodil, nepravilne uporabe aparata ali napačne nastavitve upravljalnih elementov.

⚠ **OPOZORILO:** Če na površini kuhalne plošče opazite razpoko, aparata ne uporabljajte, saj obstaja nevarnost električnega udara.

⚠ **OPOZORILO:** Nevarnost požara: ne hranite predmetov na kuhalni površini.

⚠ **POZOR:** Postopek kuhanja je treba nadzorovati. Postopek kratkotrajnega kuhanja je treba nenehno nadzorovati.

⚠ **OPOZORILO:** Nenadzorovano kuhanje na kuhalni plošči z mastjo ali oljem je lahko nevarno, saj obstaja možnost požara. NIKOLI ne skušajte pogasiti ognja z vodo: aparat izključite in nato pokrijte plamen npr. s pokrovom ali požarno odejo.

⚠ Kuhalne plošče ne uporabljajte kot delovni pult ali podlago. Pazite, da aparat ne pride v stik s krpami ali drugimi vnetljivimi predmeti, dokler se vse komponente povsem ne ohladijo, saj lahko pride do požara.

⚠ Zelo majhni otroci (0–3 let) naj se ne približujejo aparatu. Majhni otroci (3–8 let) ne smejo biti v bližini aparata brez stalnega nadzora. Otroci, stari 8 let ali več, in osebe z omejenimi telesnimi, čutilnimi ali razumskimi sposobnostmi oz. osebe, ki nimajo izkušenj in znanja, lahko aparat uporabljajo le, če so pod nadzorom oz. če so bili poučeni o varni uporabi aparata in se zavedajo morebitnih nevarnosti. Otroci se z aparatom ne smejo igrati. Otroci brez nadzora ne smejo čistiti ali vzdrževati aparata.

⚠ **OPOZORILO:** Aparat in dostopni deli se med uporabo segrejejo. Pazite, da se ne dotaknete grelnikov. Otroci, mlajši od 8 let, se ne smejo zadrževati v bližini aparata, če niso pod stalnim nadzorom.

DOVOLJENA UPORABA

⚠ **POZOR:** aparat ni namenjen temu, da bi ga upravljali z zunanji upravljalni napravami, kot sta časovnik ali ločen daljinski upravljalnik.

⚠ Aparat je namenjen uporabi v gospodinjstvu in temu podobnim načinom uporabe, na primer: v kuhinjah za osebje v trgovinah, pisarnah in drugih delovnih okoljih, na kmetijah, za goste v hotelih, motelih in prebivalce drugih stanovanjskih okolij.

⚠ Druga uporaba ni dovoljena (npr. za segrevanje prostorov).

⚠ Aparat ni namenjen profesionalni uporabi. Aparata ne uporabljajte na prostem.

NAMESTITEV

⚠ Za premikanje in namestitev aparata sta potrebni najmanj dve osebi, saj obstaja nevarnost poškodb. Za odstranjevanje embalaže in namestitev aparata uporabite zaščitne rokavice, saj obstaja nevarnost ureznin.

⚠ Namestitev, vključno s priklopom vode (če je prisotna) in elektrike, mora izvesti usposobljen tehnik. Ne popravljajte ali zamenjajte delov aparata, razen če to ni izrecno navedeno v navodilih za uporabo. Otroci se mestu namestitve ne smejo približevati. Ko aparat odstranite iz embalaže, se prepričajte, da se med prevozom ni poškodoval. V primeru težav se obrnite na prodajalca ali na najbližjo servisno službo. Ko je aparat nameščen, embalažo (plastika, deli iz stiropora itd.) shranite izven dosega otrok, saj obstaja nevarnost zadrževanja. Preden aparat namestite, ga zaradi nevarnosti električnega udara odklopite z električnega omrežja. Med namestitvijo pazite, da aparat ne poškoduje napajalnega kabla, saj to lahko privede do požara ali povzroči električni udar. Aparat vključite šele, ko je namestitev končana.

⚠ Vse potrebne izreze v element izvedite pred vgradnjo aparata in odstranite vse lesene trske in žagovino.

⚠ Če aparat ni vgrajen nad pečico, je treba v predelek pod aparatom vgraditi ločevalno ploščo (ni priložena).

OPOZORILO GLEDE ELEKTRIČNEGA TOKA

⚠ Prekinitev napajanja aparata mora biti mogoča z izklopom vtiča, če je ta na dosegu roke, ali z dosegljivim večpolnim stikalom, ki je v skladu s predpisi za ožičenje nameščen v bližini vtičnice. Aparat mora biti prav tako ozemljen v skladu z nacionalnimi standardi glede električne varnosti.

⚠ Prepovedana je uporaba podaljškov, razdelilnih vtičnic in adapterjev. Električne komponente po namestitvi aparata uporabnikom ne smejo biti dostopne. Aparata ne uporabljajte, ko ste mokri ali bosi. Aparata ne uporabljajte, če ima poškodovan napajalni kabel ali vtič, če ne deluje pravilno oziroma če je bil poškodovan ali je padel.

⚠ Namestitev z vtičem napajalnega kabla ni dovoljena, razen če je izdelek že opremljen z vtičem proizvajalca.


⚠ Da se izognemo nevarnosti, lahko poškodovan napajalni kabel enakim kablom nadomestile proizvajalec, njegov serviser ali podobno usposobljena oseba, saj obstaja možnost električnega udara.

ČIŠČENJE IN VZDRŽEVANJE

⚠ **OPOZORILO:** Aparat morate pred vzdrževalnimi deli izklopiti in izključiti z električnega napajanja; ne uporabljajte parnih čistilcev, saj obstaja nevarnost električnega udara.

⚠ Ne uporabljajte abrazivnih ali korozivnih izdelkov, čistil na osnovi klora ali žičnatih gob.

ODSTRANJEVANJE EMBALAŽNEGA MATERIALA

Embalažo je mogoče povsem reciklirati in je označena s simbolom za recikliranje .


Dele embalaže zato zavržite odgovorno in v skladu s predpisi pristojnih služb, ki urejajo odlaganje odpadkov.

ODSTRANJEVANJE GOSPODINJSKIH APARATOV

Aparat je izdelan iz materialov, ki jih je mogoče reciklirati ali ponovno uporabiti. Aparat zavržite v skladu z veljavnimi lokalnimi predpisi. Dodatne informacije o odstranjevanju in recikliranju električnih gospodinjskih aparatov lahko dobite na pristojnem občinskem uradu, pri komunalni službi ali v trgovini, kjer ste aparat kupili. Aparat je označen v skladu z evropsko Direktivo 2012/19/EU o odpadni električni in elektronski opremi (OEEO) in uredbami o odpadni električni in elektronski opremi (WEEE) iz leta 2013 (v veljavni različici).

Aparat odložite na predvidenih zbirnih mestih, saj lahko s tem preprečite škodljive posledice za okolje in zdravje ljudi.



Simbol  na aparatu ali priloženi dokumentaciji pomeni, da je aparat prepovedano odlagati med komunalne odpadke. Oddati ga je treba na zbirnem centru za recikliranje električne in elektronske opreme.

NASVETI ZA VARČEVANJE Z ENERGIJO

Čim bolj izkoristite preostanek toplote na kuhališču, tako da aparat izključite nekaj minut, preden je jed kuhana.

Dno posode naj povsem prekriva kuhališče: če je dno posode manjše od površine kuhališča, bo prišlo do izgube energije.

Posodo med kuhanjem prekritje s tesno prilegajočimi se pokrovi in porabite kar najmanj vode. Če posode med kuhanjem ne prekritje s pokrovi, bo poraba energije občutno večja.

Uporabljajte samo posodo z ravnim dnom.

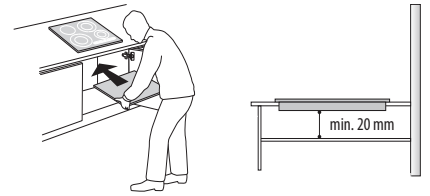
IZJAVA O SKLADNOSTI

Ta naprava je skladna z zahtevami za okoljsko primerno zasnovano uredbo Komisije (EU) št. 66/2014 in uredbami iz leta 2019 za okoljsko primerno zasnovane izdelke, povezane z energijo, in energetske informacije (sprememba) (izstop iz EU) v skladu z evropskim standardom EN 60350-2.



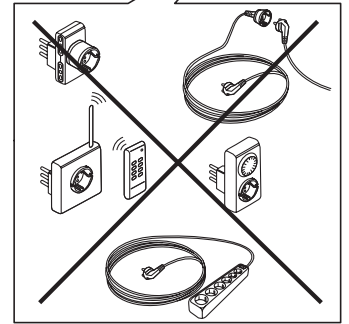
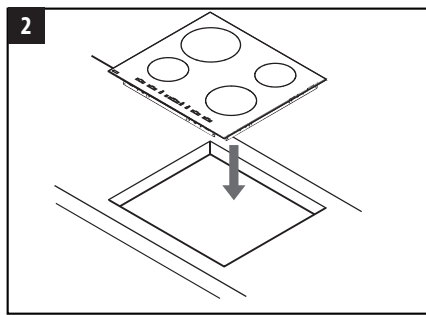
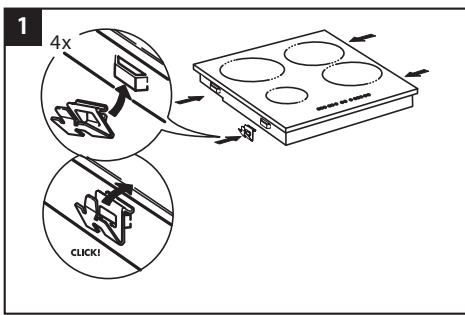
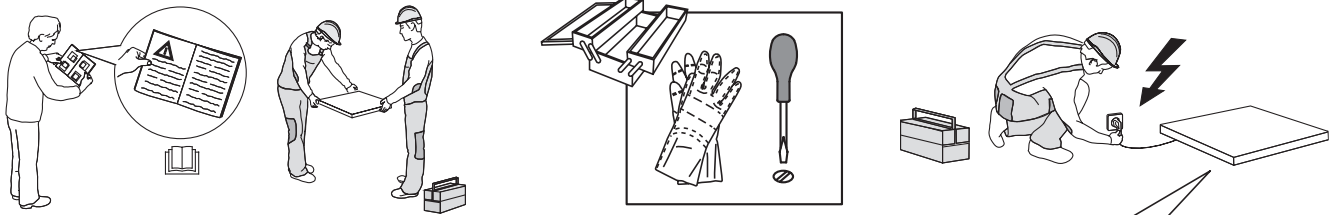
NAMESTITEV

- Kuhalna površina mora biti vgrajena v kuhinjski pult vsaj 20 mm globoko.
- Med kuhhalno ploščo in pečico ne sme biti nobenih predmetov (prečnih drogov, nosilcev itd.).
- Prepričajte se, da je priključni kabel dovolj dolg, da je namestitev mogoče izvesti brez težav.
- Med spodnjo stranjo steklokeramične kuhhalne plošče in omarico ali ločilno ploščo mora biti vsaj 20 mm razdalje.
- Za vgradne dimenzije in namestitev glejte sliko v tem odstavku.
- Pri vgradnji upoštevajte najmanjšo razdaljo med kuhhalno ploščo in napo nad njo. Za več informacij glejte uporabniški priročnik nape.
- Na kuhhalno ploščo namestite priloženo tesnilo (razen če je že nameščeno), potem ko ste očistili površino plošče.
- **Kuhhalne plošče ne nameščajte ob pomivalni ali pralni stroj, da elektronska vezja ne pridejo v stik s paro ali vlago, ki bi jih lahko poškodovala.**
- Če pod kuhhalno ploščo namestite pečico, se prepričajte, da je opremljena s hladilnim sistemom. Če temperatura elektronskih vezij preseže največjo dovoljeno temperaturo, se kuhhalna plošča samodejno izklopi; V tem primeru počakajte nekaj minut, dokler notranja temperatura elektronskega tiskanega vezja ne doseže dopustnega nivoja, na katerem bo mogoče ponovno vklopiti kuhhalno ploščo.

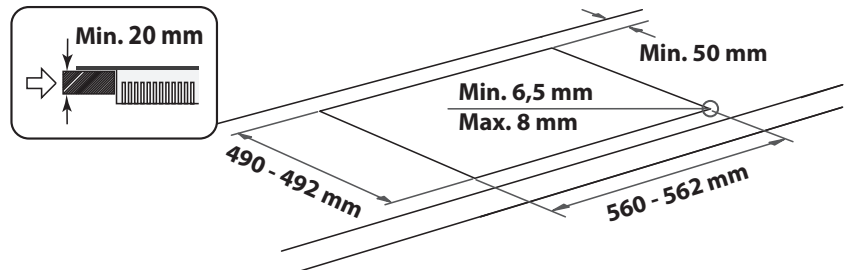
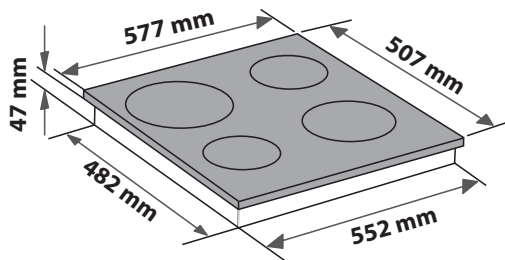
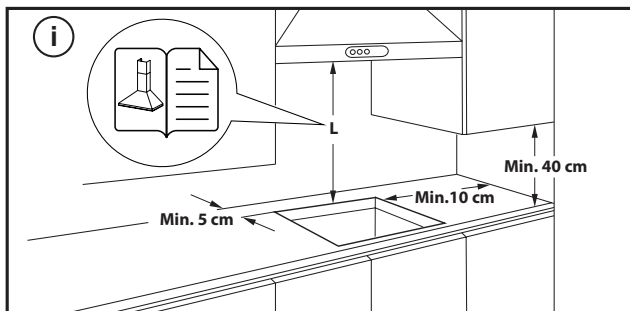


NAMESTITEV KUHALNE PLOŠČE

Po električnem priklopu (glejte poglavje "Priklučitev na električno omrežje") namestite pritrdilne sponke na ustrezne reže ob straneh kuhhalne plošče, kot je prikazano na sliki. Kuhhalno ploščo nato potisnite v izrezano odprtino in se prepričajte, da je steklokeramična površina poravnana in vzporedna s pultom. Pritrdilne sponke so primerne za pulte iz vseh vrst materialov (les, marmor itd.).



DIMENZIJE IN NAJMANJŠE RAZDALJE



ODSTRANITEV KUHALNE PLOŠČE:

preden odstranite kuhhalno ploščo, jo odklopite z električnega napajanja. Zelo priporočamo, da po potrebi odstranite pečico, predal, pregrado ipd. pod kuhhalno ploščo. Tako bo imel servisni tehnik prost dostop do spodnje strani kuhhalne plošče in bo lahko s izvijačem sprostil vse štiri sponke, dvignil kuhhalno ploščo in jo odstranil, ne da bi poškodoval kuhinjski pult.

PRIKLJUČITEV NA ELEKTRIČNO OMREŽJE

Električni priklop mora biti izveden pred priklopom naprave na napajalno omrežje.

Priključni kabel ni vključen v obseg dobave – ne pozabite priskrbeti svojega priključnega kabla.




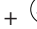
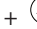
Namestitev mora izvesti kvalificirano osebje, ki pozna trenutne predpise glede varnosti in namestitve. Električna inštalacija mora biti izvedena v skladu s predpisi, ki jih narekuje krajevni dobavitelj električne energije.

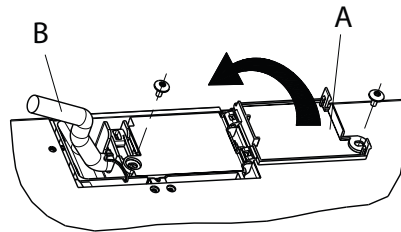
Pazite, da je napetost, podana na tipski ploščici na dnu naprave, ista kot v vašem domu.

S predpisi je določena obvezna ozemljitev naprave: uporabljajte le vodnike (vključno z ozemljitvenim vodnikom) primerne velikosti.

PRIKLOP NA VRSTNO SPONKO


Za električni priklop uporabite kabel H05RR-F, kot je navedeno v spodnji preglednici.

ELEKTRIČNA NAPETOST	VODNIKI KOLIČINA x VELIKOST
220-240V ~+ 	3 x 4 mm ²
230-240V ~+ 	3 x 4 mm ² (csak Ausztrália)
220-240V 3~+ 	4 x 1,5 mm ²
380-415V 3N~+ 	5 x 1,5 mm ²
380-425V 2N~+ 	4 x 1,5 mm ²



Napravo je treba priključiti na električno omrežje prek večpolnega ločilnega stikala z najmanj 3-milimetrskim razmikom med kontakti.

POMEMBNO: Napajalni kabel mora biti dovolj dolg, da je kuhhalno ploščo mogoče sneti iz kuhinjskega pulta, in mora biti nameščen tako, da se izognete okvaram ali pregrevanju, ki jih lahko povzroči stik s podlago.

OPOMBA: rumeno-zelen ozemljitveni vodnik mora biti povezan na sponko s simbolom  in mora biti daljši od drugih vodnikov.

- Z napajalnega kabla odstranite približno 70 mm plašča (**B**).
- Z vodnikov odstranite približno 10 mm plašča. Nato vstavite napajalni kabel v kabelsko sponko in priključite vodnike na vrstno sponko, kot je prikazano na diagramu povezav, ki je tik ob vrstni sponki.
- Napajalni kabel (**B**) pritrdite s kabelsko sponko.
- Priključno ploščo zaprite s pokrovom (**A**) in pokrov pritrdite s priloženim vijakom.
- Po električnem priklopu vstavite kuhhalno ploščo v pult, kot je prikazano na sliki, da se pritrdilne sponke zaskočijo.



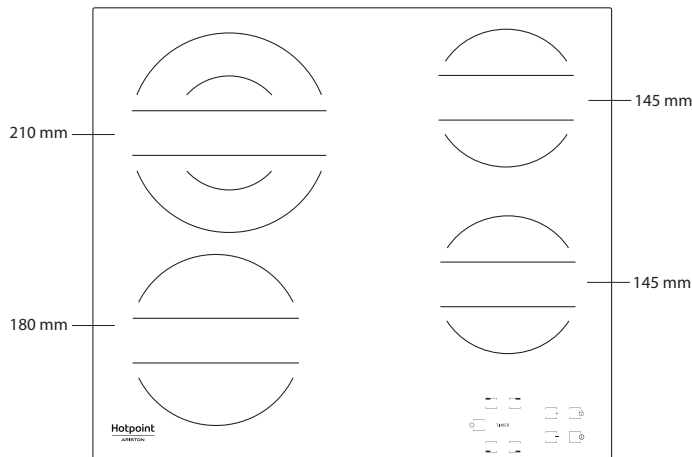
HVALA, KER STE SE ODLOČILI ZA IZDELEK WHIRLPOOL
Če želite celovitejšo pomoč, izdelek registrirajte na spletni strani www.hotpoint.eu/register.

**ZA PODROBNEJŠE INFORMACIJE
POSKENIRAJTE KODO QR NA
NAPRAVI**

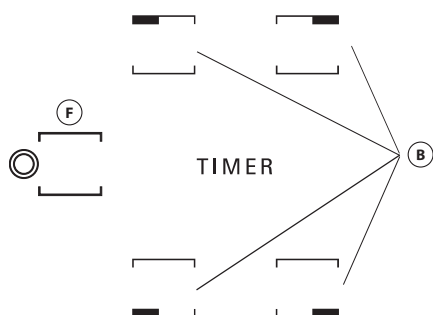


Pred uporabo aparata pozorno preberite varnostna navodila.

OPIS IZDELKA



UPRAVLJALNA PLOŠČA



- A** Vkllop/izklop
- B** Izbira kuhalnega polja in nastavev časovnika
- C-E** Povečevanje in zmanjševanje nastavitve toplote
- D** Zaklep gumbov
- F** Vkllop/izklop uporabe kombinacije kuhalnih polj

PRVA UPORABA

Po prvi namestitvi nadzorna plošča izvede preskus delovanja za približno 1 sekundo, potem pa samodejno preklopi na funkcijo "Key lock" (Zaklep gumbov). Funkcijo lahko izklopite tako, da pritisnete in zadržite tipko "D"; zasliši se zvočni

signal, ustreza LED-lučka pa ugasne.

OPOMBA: Če pride do ponastavitve, ponovite zgoraj opisan postopek.

VSAKODNEVNA UPORABA

VKLOP/IZKLOP KUHALNIKA

Kuhalno ploščo vklopite s pritiskom na gumb "A", ki ga držite približno 2 sekundi. Na prikazovalnikih vseh štirih kuhalnih polj se prikaže "0". Če v 20 sekundah ni aktivirano nobeno kuhalno polje, se kuhalna plošča iz varnostnih razlogov samodejno izklopi.

VKLAPLANJE IN PRILAGAJANJE KUHALNIH OBMOČIJ

Pritisnite enega od gumbov "B", in sicer tistega, ki ustreza kuhalnemu polju, ki ga želite uporabiti. Z gumboma "E" ali "C" izberite zeleno nastavev temperature. Ostale nastavitve kuhanja lahko izbirate od 1 do 9. S sočasnim pritiskom na gumba "+/-" prekličete vse nastavitve.

POMEMBNO: Komandni gumb se deaktivira 10 sekund po izbiri zelene temperature.

Če želite spremeniti nastavev temperature najprej pritisnite gumb za izbiranje "B", nato pa nadaljujte s spreminjanjem nastavev z uporabo gumba "E" ali "C".

KOMBINACIJA KUHALNIH POLJ

Po izboru zelenega kuhalnega polja in nastavitvi nivoja (kot je opisano v predhodnem poglavju) pritisnite "F": vklopi se indikator nad gumbom in vklopi se dodatno polje.

Kombinacija kuhalnih polj se lahko uporablja samo če:

- je na kuhalni plošči ta funkcija na voljo;
- je izbrana stopnja moči večja od 0.

Kombinacijo kuhalnih polj izključite s pritiskom na gumb "B" zelenega polja, potem pa ponovno pritisnete "F".

TIMER

Če želite vključiti funkcijo časovnika, izberite zeleno kuhalno polje in nastavev moči, nato znova pritisnite tipko kuhalnega polja in na prikazovalniku kuhalnega polja s časovnikom se bo pojavila svetlobna pika. Na 2 prikazovalnikih utripa prikaz "00". Pritisnite gumb "C" ali "E" in nastavite čas od 1 do 99.

POMEMBNO: po 10 sekundah se na prikazovalnikih časovnikov pokaže nastavitve moči drugih kuhalnih polj.

Če želite pogledati preostali čas kuhanja, dvakrat pritisnite tipko kuhalnega polja z nastavljenim časovnikom.

FUNKCIJA A

S to funkcijo lahko uporabnik samodejno zniža stopnjo moči za kuhalno polje z najvišje (stopnja 9) na stopnjo, ki jo je izbral za naslednjo fazo kuhanja.

Za vklop funkcije pritisnite gumb "+", ko je dosežena stopnja 9.

Na zaslonu se prikaže znak "A", znak "9" pa medlo utripa.

Na tej točki z gumbom "-" izberite želeno stopnjo moči (nižjo od stopnje 9).

Znak "A" in izbrana stopnja izmenično medlo utripata na zaslonu.

Funkcija je vklopljena, ko znak "A" in izbrana stopnja izmenično svetlo utripata na zaslonu.

Ko znak "A" izgine zaslona (funkcija "A" se samodejno izklopi po nekaj minutah, odvisno od izbrane stopnje moči), se kuhanje nadaljuje z nižjo močjo, na zaslonu pa je prikazana le izbrana stopnja moči.

OPOMBA: ta funkcija ni na voljo za stopnjo 9.



KEY LOCK (ZAKLEP GUMBOV)

Funkcija Key lock (Zaklep gumbov) se vklopi z daljšim pritiskom na gumb "D", dokler nad funkcijsko tipko ne zasveti pika. Zaklenjene so vse funkcije upravljalne plošče razen funkcije izklopa. Funkcija ostane aktivirana tudi po izklopu in ponovnem vklopu kuhalne plošče, izključite pa jo lahko s ponovnim pritiskom na gumb "D", dokler pika nad funkcijo ne ugasne.

Ko je kuhalna plošča izklopljena z aktiviranim zaklepom gumbov, morate najprej upravljalno ploščo odkleniti s pritiskom na gumb "D", dokler pika nad funkcijo ne ugasne, da lahko vklopite kuhalno ploščo.

Voda, tekočina iz posod ali predmeti na upravljalnih elementih lahko nenamerno aktivirajo ali deaktivirajo zaklep gumbov.



INDIKATOR PREOSTALE TOPLOTE

Ko se kuhalno polje izklopi, indikator preostale toplote "H" še naprej sveti ali utripa izmenično z "0", dokler se temperatura kuhalne plošče ne zniža na sprejemljivo varno raven.

KUHALNA TABELA

RAVEN MOČI		VRSTA KUHANJA	STOPNJA UPORABE (glede na izkušnje in navade pri kuhanju)
Največja moč	9	Vrenje	Kot nalašč za hitro segrevanje hrane do vrenja, če uporabljate vodo ali tekočine za kuhanje, ki se hitro grejejo.
	9 – 8	Pečenje	Kot nalašč za porjavitvev, začetek kuhanja, cvrtje zamrznjenih izdelkov, hitro vretje.
Visoka moč	8 – 7	Porjavitev – vzdrževanje vrenja – peka na žaru	Kot nalašč za porjavitvev, vzdrževanje vrenja, kuhanje in pečenje (kratkotrajno, 5–10 minut).
	7 – 6	Cvrtje – kuhanje – pečenje na žaru	Kot nalašč za vzdrževanje počasnega vrenja, kuhanje in pečenje (srednje dolgo, 10–20 minut), predgretje in cvrtje.
Srednja moč	6 – 5	Nežno cvrtje	Kot nalašč za cvrtje jajc in pripravo omet.
	5 – 4	Kuhanje – počasno vretje – dušenje	Kot nalašč za kuhanje, ki zahteva več časa (riž, omake, pečenke, ribe) s tekočinami (npr. voda, vino, juhe, mleko), kombiniranje testenin z omako.
	4 – 3	Zgoščevanje – kombiniranje testenin z omako	
Nizka moč	2 – 1	Ohranjanje hrane vroče – priprava rižot	Kot nalašč za ohranjanje ravnokar skuhanne hrane (npr. omake, juhe, mineštre) vroče, za rižote in pogrevanje servirnega pribora.
Najmanjša moč	1	Odmrzovanje	Kot nalašč za odmrzovanje manjših kosov hrane in nežno topljenje čokolade ali masla.
Brez moči	0	–	Kuhalna plošča v stanju pripravljenosti ali izklopljenem načinu (morda bo prisotna preostala toplota, ki jo označuje "H").

POMEMBNO: Med varnostnimi lastnostmi kuhalne plošče je tudi funkcija samodejnega izklopa. Daljša uporaba iste nastavitve toplote sproži samodejni izklop kuhalnega polja (na primer po približno 1 uri pri najvišji nastavitvi toplote, se kuhalno polje izklopi).

POMEMBNO: Da preprečite trajno okvaro kuhalne plošče:

- ne uporabljajte loncev, ki nimajo popolnoma ravnega dna;
- ne uporabljajte kovinskih loncev z emajliranim dnom;
- ne odlagajte toplih loncev/ponev na nadzorno ploščo.

Kuhalna plošča je opremljena tudi s funkcijo za samodejni izklop, s katero se kuhalno polje izklopi, če po preteku določenega intervala ne spremenite stopnje moči, odvisno od nastavitve moči. V preglednici so navedeni časovni intervali za posamezno stopnjo moči.

JAKOSTNA STOPNJA	ČAS SAMODEJNEGA IZKLOPA
0	30 sekund
1	10 ur
2	5 ur
3	5 ur
4	4 ure
5	3 ure
6	2 uri
7	2 uri
8	2 uri
9	1 ura

ČIŠČENJE IN VZDRŽEVANJE

⚠ Aparat izklopite iz električnega napajanja.

- Ne uporabljajte parnih čistilnikov.
- Ne uporabljajte abrazivnih ali žičnatih gobic, ker lahko poškodujejo steklo.
- Po vsaki uporabi očistite kuhalno ploščo (ko je ohlajena), da odstranite ostanke hrane in madeže.
- Sladkor ali hrana z visoko vsebnostjo sladkorja lahko poškodujeta kuhalno ploščo, zato ju morate takoj odstraniti.

- Sol, sladkor in pesek lahko spraskajo stekleno površino.
- Čistite z mehko krpo, papirnatiimi brisačami ali čistilnikom za kuhalne plošče (glejte navodila proizvajalca).
- Razlite tekočine na kuhalnih poljih lahko povzročijo premikanje ali tresenje posod.
- Kuhalno ploščo po čiščenju temeljito posušite.

ODPRAVLJANJE TEŽAV

Če kuhalna plošča ne deluje pravilno, preverite navodila za odpravljanje napak, preden kličete servis.

- Preberite in upoštevajte navodila iz razdelka "Vsakodnevna uporaba".
- Preverite, da dovod elektrike ni bil izklopljen.
- Temeljito osušite kuhalno ploščo, potem ko jo očistite.
- Če ste izbrali kuhalno polje in se na zaslonu prikaže znak "F" ali "ER", ki mu sledi številka, o tem obvestite servisno službo.
- Če se prikaže koda napake "F03", "ER03" ali "E02", napako poskusite odpraviti po naslednjem postopku:
 - Če se prikaže koda napake "E02", poskrbite, da vsaj 5 sekund ne pritisnete nobenega gumba, na območju uporabniškega vmesnika ni predmetov, območje pa je čisto in suho – pri čiščenju upoštevajte razdelek o čiščenju in vzdrževanju.
 - Če se prikaže koda napake "F03", kuhalno površino izklopite in znova vklopite.
 - Če se prikaže koda napake "F04", se obrnite na servisno službo in jim sporočite kodo, ki se prikaže.

- Če kuhalna plošča ne deluje po intenzivni uporabi, je notranja temperatura kuhalne plošče še vedno previsoka. Počakajte nekaj minut, da se kuhalna plošča ohladi.
- Če grelnik ne deluje neprekinjeno, temveč se vedno znova vklaplja in izklaplja, čeprav se stopnja moči na zaslonu ne spremeni, je to del normalnega delovanja kuhalne plošče. Z vklapljanjem in izklapljanjem se uravnava moč grelnika; pojav je povsem normalen. V nekaterih primerih lahko toplotna zaščita za nekaj časa izklopi grelnik, da se preprečijo poškodbe na steklu. Takšni primeri so: daljše kuhanje z visoko močjo, uporaba posod, ki so manjše od grelnega elementa, uporaba posod z neravnim dnom.
- Če kuhalna plošča piska, čeprav uporabnik ni pritisnil nobenega gumba, odstranite morebitno razlito tekočino na uporabniškem vmesniku. Obrišite uporabniški vmesnik in nadaljujte z uporabo kuhalne plošče. Če se je kuhalna plošča samodejno izklopila, lahko do tega pride zaradi tekočine na uporabniškem vmesniku. Obrišite uporabniški vmesnik in znova vklopite kuhalno ploščo.

Če tudi po zgoraj navedenih ukrepih ne odpravite napake, pokličite najbližjo servisno službo.

SERVISNA SLUŽBA

Izdelek registrirajte na spletni strani www.hotpoint.eu/register, da vam bomo lahko nudili vsestranski servis in podpor.

PREDEN POKLIČETE SERVISNO SLUŽBO:

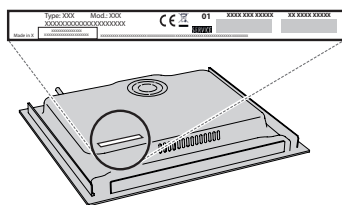
1. Preverite, ali lahko težavo odpravite sami glede na predloge v poglavju **NAVODILA ZA ODPRAVLJANJE TEŽAV**.
2. Z izklopom in ponovnim vklopom aparata preverite, ali je napaka še vedno prisotna.

ČE VAM TUDI PO ZGORAJ NAVEDENIH UKREPIH NE USPE ODPRAVITI NAPAKE, POKLIČITE NAJBLIŽJO SERVISNO SLUŽBO.

Za pomoč pokličite številko, ki je navedena v garancijski knjižici, ali upoštevajte navodila na spletni strani www.hotpoint.eu.

Ko stopite v stik z našo servisno službo, vedno navedite:

- kratek opis napake;
- tip in točen model aparata;



- Serijska številka (številka po besedi SN na napisni ploščici na spodnji strani naprave). Serijska številka je navedena tudi v dokumentaciji.



Mod. **xxx xxx**
 Ind.C. **xxxx xxxx xxxx**
 SN: **xxxx xxxx xxxx**
 Prod.N. **xxxx xxxx xxxx**

- točen naslov;
- svojo telefonsko številko.

Če je potrebno popravilo, se obrnite na pooblaščen servisno službo (za zagotovljeno uporabo originalnih nadomestnih delov in pravilno izvedbo popravila).

Do pravil uporabe, standardne dokumentacije in dodatnih informacij o izdelkih lahko dostopate na naslednje načine:

- Skenirajte QR-kodo na svojem aparatu;
- Obiščite našo spletno stran docs.hotpoint.eu;
- **Obrnete se lahko tudi na našo servisno službo** (telefonske številke so navedene v servisni knjižici). Ko stopite v stik z našo servisno službo, navedite kodo, ki so zapisane na identifikacijski ploščici izdelka.



Cijeli priručnik s uputama preuzmite na <http://docs.hotpoint.eu> ili nazovite telefonski broj koji se nalazi u jamstvenoj knjižici.

Prije upotrebe uređaja pročitajte ove sigurnosne upute. Sačuvajte ih za buduću referencu.

Ovaj priručnik i sam uređaj sadrže važna sigurnosna upozorenja kojih se morate stalno pridržavati. Proizvođač otklanja svaku odgovornost u slučaju nepoštivanja sigurnosnih uputa, za neprikladno korištenje ili za pogrešno podešavanje komandi.

⚠ **UPOZORENJE:** Ako je površina ploče za kuhanje napukla, ne upotrebljavajte uređaj - opasnost od strujnog udara.

⚠ **UPOZORENJE:** Opasnost od požara: nemojte stavljati stvari na površine za kuhanje.

⚠ **PAŽNJA:** Postupak kuhanja mora se nadzirati. Kratki postupak kuhanja mora se neprestano nadzirati.

⚠ **UPOZORENJE:** Pripremanje hrane na masnoći ili ulju bez nadziranja ugradne ploče može biti opasno - opasnost od požara. Vatru NIKADA ne pokušavajte ugasiti vodom: umjesto toga isključite uređaj i pokrijte plamen, na primjer, poklopcem ili dekom za gašenje požara.

⚠ Ne upotrebljavajte ploču za kuhanje kao radnu površinu ili oslonac. Odjeću ili druge zapaljive materijale ne približavajte uređaju dok se sastavni dijelovi potpuno ne ohlade - opasnost od požara.

⚠ Vrlo maloj djeci (0 - 3 godina) ne dopuštajte pristup uređaju. Maloj djeci (3 - 8 godina) ne dopuštajte pristup uređaju ako nisu pod nadzorom. Djeca starija od 8 godina i osobe smanjenih fizičkih, osjetilnih i mentalnih sposobnosti ili osobe bez dovoljnog iskustva i znanja mogu koristiti uređaj samo ako su pod nadzorom ili su dobili upute o sigurnom rukovanju uređajem te ako razumiju potencijalne opasnosti. Djeca se ne smiju igrati s uređajem. Djeca ne smiju čistiti niti održavati uređaj bez nadzora.

⚠ **UPOZORENJE:** Uređaj i njegovi dostupni dijelovi se tijekom uporabe zagriju. Pazite da ne biste dodirnuli grijaće elemente. Djeca mlađa od 8 godina trebaju se držati podalje od uređaja, osim ako su pod nadzorom.

DOZVOLJENI RASPON UPOTREBE

⚠ **PAŽNJA:** uređaj nije namijenjen radu pomoću vanjskog uređaja za uključivanje kao što je mjerač vremena ili odvojeni sustav daljinskog upravljanja.

⚠ Ovaj uređaj namijenjen je upotrebi u kućanstvima i na sličnim mjestima, kao što su: kuhinje za osoblje u trgovinama, uredi i druge objekti u kojima se radi; seoske kuće; za goste u hotelima, motelima ili sličnim smještajnim jedinicama.

⚠ Ne dopušta se nikakva druga uporaba (npr. grijanje prostorija).

⚠ Ovaj uređaj nije namijenjen za profesionalnu upotrebu. Nemojte koristiti ovaj uređaj na otvorenom prostoru.

INSTALIRANJE

⚠ Pri postavljanju, uređajem moraju rukovati dvije ili više osoba: opasnost od ozljeda. Za raspakiranje i

postavljanje uređaja upotrijebite zaštitne rukavice: opasnost od porezotina.

⚠ Postavljanje, uključujući dovod vode (ako je uređaj opremljen) i električne priključke te popravke smije obavljati samo kvalificirani tehničar. Nemojte popravljati ni zamjenjivati bilo koji dio kućanskog uređaja osim ako se to izričito ne navodi u korisničkom priručniku. Djeci ne dozvoljavajte približavanje mjestu postavljanja. Nakon uklanjanja ambalaže s uređaja provjerite da nije došlo do oštećenja za vrijeme transporta. U slučaju problema, kontaktirajte distributera ili najbliži servis. Nakon postavljanja otpadni materijal pakiranja (plastiku, dijelove od stiropora itd.) odložite van dohvata djece: opasnost od gušenja. Uređaj se prije postavljanja mora isključiti iz napajanja: opasnost od električnog udara. Pazite da za vrijeme postavljanja uređaj ne ošteti električni kabel: opasnost od požara ili električnog udara. Uređaj uključite tek kada završi postupak postavljanja.

⚠ Obavite sve radove izrezivanja i pažljivo uklonite sve strugotine i piljevinu prije postavljanja uređaja u element.

⚠ Ako se uređaj ne postavlja iznad pećnice ploča za razdvajanje (nije uključena u pakiranje) mora se postaviti u odjeljak ispod uređaja.

ELEKTRIČNA UPOZORENJA

⚠ Mora postojati mogućnost isključivanja uređaja iz struje uklanjanjem priključka ako je on dostupan ili to učiniti pomoću dostupne sklopke s više polova instalirane uz utičnicu u skladu s pravilima ožičenja i uređaj mora biti uzemljen u skladu s nacionalnim sigurnosnim standardima za električnu struju.

⚠ Nemojte koristiti produžne kabele, višestruke utičnice ili adaptere. Nakon postavljanja električni dijelovi ne smiju biti dostupni korisniku. Uređaj ne upotrebljavajte kada ste mokri ili bosi. Uređaj ne upotrebljavate ako su njegov dovodni kabel ili utikač oštećeni, ako ne radi ispravno ili ako je oštećen ili je pao na tlo.

⚠ Instalacija s utikačem kabela za napajanje nije dopuštena osim ako taj proizvod već nije opremljen s onim kojeg isporučuje proizvođač.


⚠ Ako je kabel za napajanje oštećen, istim ga mora zamijeniti proizvođač, ovlaštenu servisera ili osobe slične kvalifikacije kako biste izbjegli opasne situacije: opasnost od strujnog udara.

ČIŠĆENJE I ODRŽAVANJE

⚠ **UPOZORENJE:** Provjerite je li uređaj isključen ili odspojen iz napajanja prije obavljanja bilo kojeg zahvata održavanja; nikada ne upotrebljavajte uređaje za čišćenje parom: opasnost od električnog udara.

⚠ Ne koristite abrazivne ili korozivne proizvode, sredstva za čišćenje na bazi klora ili strugače za tave.

ODLAGANJE AMBALAŽNIH MATERIJALA


Ambalažni materijal može se u potpunosti reciklirati i označen je simbolom recikliranja .

Različiti dijelovi ambalaže moraju se stoga odgovorno odlagati i u skladu s propisima lokalnih vlasti o odlaganju otpada.

ODLAGANJE KUĆANSKIH UREĐAJA

Ovaj uređaj proizveden je od materijala koji se može reciklirati ili ponovno iskoristiti. Zbrinite ga sukladno lokalnim pravilnicima o zbrinjavanju otpada. Radi detaljnijih informacija o postupanju, uporabi i recikliranju električnih kućanskih aparata, obratite se nadležnom mjesnom uredu, službi za skupljanje komunalnog otpada ili trgovini u kojoj ste uređaj kupili. Ovaj je uređaj označen u skladu s europskom Direktivom 2012/19/EU o otpadnoj električnoj i elektroničkoj opremi (OEEO) i uredbama o otpadnoj električnoj i elektroničkoj opremi iz 2013. (sukladno izmjenama i dopunama).

Osigurate li ispravno odlaganje tog proizvoda, pomoći ćete u sprječavanju mogućih negativnih posljedica za okoliš i zdravlje ljudi.

Simbol  na proizvodu ili na popratnoj dokumentaciji označava da se s njim ne smije postupati kao s kućnim otpadom, nego ga treba odnijeti na odgovarajuće sakupljalište za recikliranje električnog i elektroničkog otpada.

SAVJETI ZA UŠTEDU ENERGIJE

Iskoristite na najbolji način preostalu toplinu svoje vruće ploče tako da je isključite nekoliko minuta prije kraja kuhanja.

Dno posude treba u potpunosti prekrivati vruću ploču; posuda koja je manja od vruće ploče dovodi do rasipanja energije.

Lonce i tave pokrijte prijanjućim poklopcima tijekom kuhanja i upotrebljavajte što je moguće manje vode. Kuhanje bez poklopca značajno povećava potrošnju energije.

Upotrebljavajte samo lonce i tave s ravnim dnom.

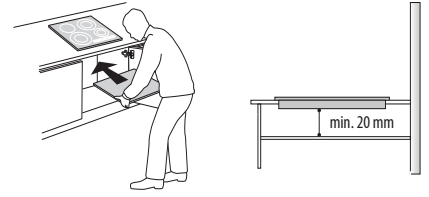
IZJAVA O SUKLADNOSTI

Ovaj uređaj ispunjava zahtjeve o eko-dizajnu europske Uredbe 66/2014 i propise o eko-dizajnu za proizvode povezane s energijom i informacije o energiji (Dopuna) (izlaz iz EU) iz 2019., u skladu s europskom normom EN 60350-2.



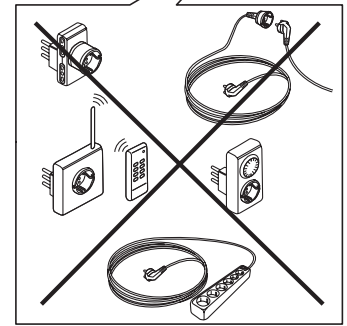
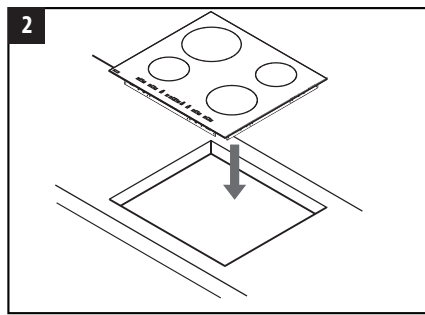
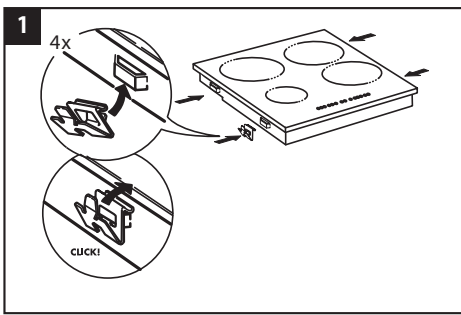
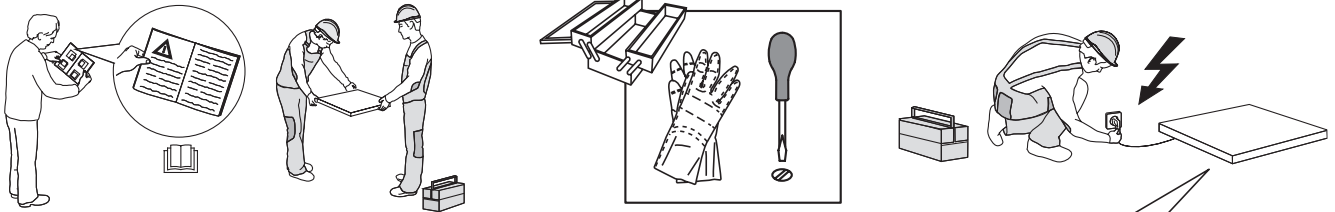
INSTALIRANJE

- Ploča za kuhanje mora se postaviti u radnu površinu na dubinu od najmanje 20 mm.
- Ništa se ne smije nalaziti između ploče za kuhanje i pećnice (poprečne vodilice, nosači itd.).
- Provjerite je li kabel napajanja dovoljno dug da omogućava praktično postavljanje.
- Udaljenost između donje površine staklo keramičke ploče za kuhanje i ormarića ili ploče za razdvajanje mora biti najmanje 20 mm.
- Dimenzije i način ugradnje pogledajte na slici u ovom odjeljku.
- Mora se održati minimalni razmak između ploče za kuhanje i nape iznad nje. Više informacija potražite u korisničkom priručniku nape.
- Isporučenu brtvu postavite na ploču za kuhanje (ako već nije postavljena) nakon što ste očistili površinu.
- Površinu za kuhanje nemojte postavljati u blizini perilice posuđa ili perilice rublja kako elektronički krugovi ne bi došli u kontakt s parom ili vlagom koja bi ih mogla oštetiti.
- Ako se pećnica postavlja ispod ploče za kuhanje, provjerite je li opremljena rashladnim sustavom. Ako temperatura elektroničkih sustava prijeđe maksimalnu dozvoljenu temperaturu, ploča za kuhanja automatski će se isključiti; u tom slučaju pričekajte nekoliko minuta da unutarnja temperatura elektroničkih sustava dosegne prihvatljivu razinu kada će se štednjak ponovno moći uključiti.

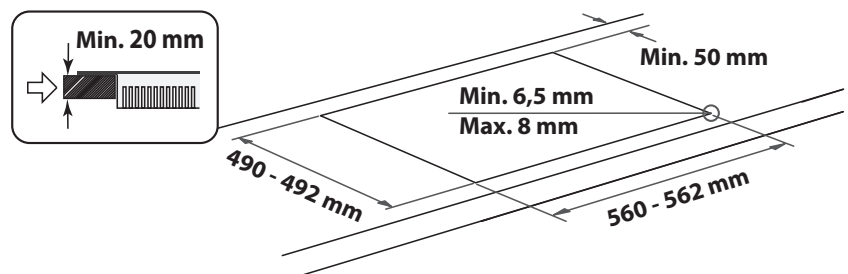
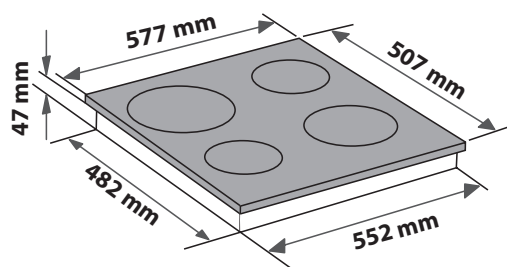
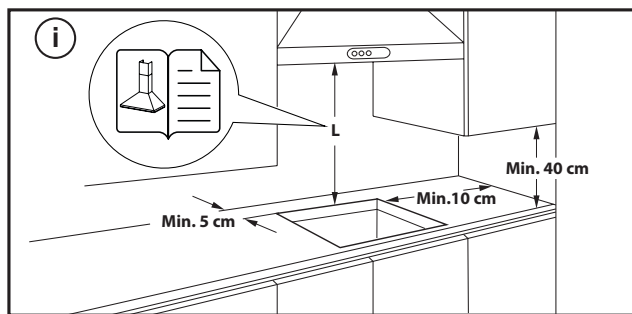


POSTAVLJANJE PLOČE ZA KUHANJE

Nakon priključivanja na električnu mrežu (pogledajte poglavlje "Priključivanje na električnu mrežu") svaku pričvrstnu kopču postavite u tome namijenjene utore na bočnim stranicama ploče za kuhanje kao što je prikazano na slici. Ploču za kuhanje zatim gurnite u rez i provjerite je li staklena površina ravna i paralelna s radnom površinom. Pričvrste su kopče napravljene za sve vrste materijala radne površine (drvo, mramor itd.).



DIMENZIJE I UDALJENOSTI KOJE TREBA ODRŽAVATI



SKIDANJE PLOČE ZA KUHANJE:

Ploču za kuhanje uklonite tako da ju odspojite od električnog napajanja. Posebice se preporučuje da oslobodite donji dio pećnice, ladice, separatora ili nekog drugog dijela. Tako se tehničarima omogućuje pristup donjem dijelu ploče za kuhanje da bi odvijačem otkvačili četiri kopče, podigli ploču za kuhanje i skinuli ju, a da ni na koji način ne oštete radnu površinu.

PRIKLJUČIVANJE NA ELEKTRIČNU MREŽU

Električni priključak mora se napraviti prije priključivanja uređaja na električno napajanje.

Kabel za napajanje nije uključen u pakiranje – obavezno pripremite vlastit kabel.




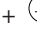
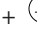
Instalaciju mora provesti kvalificiran osoblje koje poznaje važeće sigurnosne i instalacijske propise. Posebice, instalacija se mora obaviti u skladu s pravilima lokalne tvrtke za opskrbu električnom energijom.

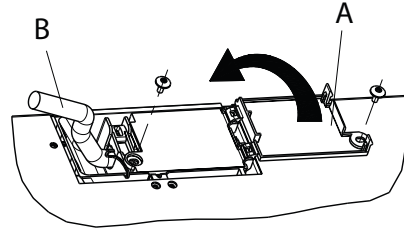
Napon naveden na pločici s podacima na dnu aparata mora biti jednak naponu mreže u stambenom objektu.

Propisi zahtijevaju da uređaj bude uzemljen: upotrebljavajte samo vodiče odgovarajuće veličine (uključujući uzemljeni vodič).

PRIKLJUČIVANJE NA BLOK S PRIKLJUČCIMA


Priključivanje na električnu mrežu izvedite kabelom H05RR-F ili H05V2V2-F kao što je navedeno u tablici u nastavku.

MREŽNI NAPON	VODIČI BROJ I VELIČINA
220-240V ~+ 	3 x 4 mm ²
230-240V ~+ 	3 x 4 mm ² (samo Australija)
220-240V 3~+ 	4 x 1,5 mm ²
380-415V 3N~+ 	5 x 1,5 mm ²
380-425V 2N~+ 	4 x 1,5 mm ²



Uređaj priključite na električno napajanje pomoću višepolnog prekidača za iskopčavanje s razmakom između kontakata najmanje 3 mm.

PAŽNJA: kabel za napajanje mora biti dovoljno dug kako bi omogućio da se ploča za kuhanje može ukloniti s radne površine i mora se postaviti tako da se izbjegne oštećenje ili pregrijavanje uzrokovano kontaktom s postoljem.

NAPOMENA: žuto/zelena žica uzemljenja mora se priključiti na priključak sa simbolom  i mora biti dulja od ostalih žica.

- Uklonite pribl. 70 mm ovojnice kabela s kabela za napajanje (B).
- Ogulite pribl. 10 mm ovojnice sa žica. Zatim umetnite kabel za električno napajanje u kablensku stezaljku i spojite žice na priključnicu kao što je navedeno na shematskom prikazu priključivanja u blizini priključnice.
- Kabel za napajanje (B) učvrstite pomoću kablenske stezaljke.
- Ploču priključka zatvorite pokrovom (A) kojeg trebate učvrstiti s isporučanim vijkom.
- Nakon električnog priključivanja, postavite štednjak s vrha i zakvačite ga na potporne opruge u skladu s crtežom.

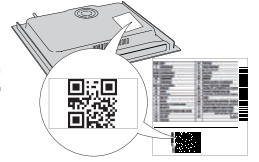


ZAHVALJUJEMO VAM NA KUPOVINI PROIZVODA WHIRLPOOL
Kako bismo vam mogli pružiti potpuniju pomoć, registrirajte svoj uređaj na adresi www.hotpoint.eu/register.

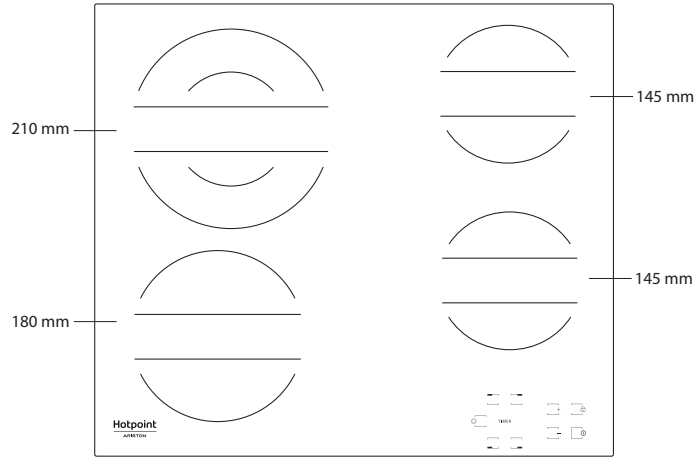


Pažljivo pročitajte sigurnosne upute prije upotrebe uređaja.

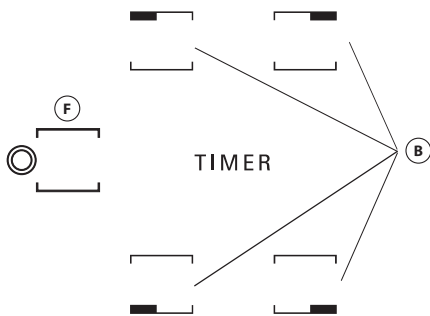
SKENIRAJTE QR KOD NA SVOM UREĐAJU DA BISTE DOBILI VIŠE INFORMACIJA



OPIS PROIZVODA



UPRAVLJAČKA PLOČA



- A** Uključivanje/isključivanje
- B** Odabir područja kuhanja i mjerača vremena
- C-E** Povećanje i smanjenje postavke topline
- D** Zaključavanje tipki
- F** Višestruko područje kuhanja

PRVA UPOTREBA

Nakon prvog postavljanja upravljačka ploča provodi funkcionalno ispitivanje u trajanju od oko 1 s nakon čega se automatski prebacuje na funkciju "Zaključavanje tipki". Funkciju isključite tako da pritisnete i držite gumb "D"; oglasit će se zvučni

signal i isključiti odgovarajuće led svjetlo.

NAPOMENA: Ako dođe do ponovnog postavljanja, ponovite gore opisani postupak.

SVAKODNEVNA UPORABA



UKLJUČIVANJE/ISKLUČIVANJE PLOČE

Štednjak uključite tako da gumb "A" držite pritisnutim oko 2 sekunde. Na zaslonima 4 područja kuhanja prikazuje se "0". Ako se u roku od 20 sekundi ne uključi niti jedno područje kuhanja, štednjak se automatski isključuje iz sigurnosnih razloga.

UKLJUČIVANJE I PODEŠAVANJE ZONA ZA KUHANJE

Pritisnite jedan od gumba "B" koji odgovara području kuhanja koje namjeravate upotrebljavati. Odaberite traženu postavku topline pomoću gumba "E" ili "C". Ostale postavke kuhanja koje se mogu odabrati numerirane su od 1 do 9. Istovremeno pritisnite gumb "+/-" kako biste poništili sve postavke.

VAŽNO: komanda se isključuje nakon 10 sekundi ako nije odabrana postavka topline. Promjenu topline promijenite tako da najprije ponovno pritisnete gumb za odabir "B", zatim nastavite s promjenom postavke pomoću gumba "E" ili "C".



VIŠESTRUKO PODRUČJE KUHANJA

Nakon odabira željenog područja i postavljanja razine (kako je opisano u prethodnom dijelu) pritisnite "F": uključuje se indikator iznad gumba koji uključuje dodatno područje. Višestruko područje kuhanja može se upotrebljavati samo ako je:

- područje kuhanja omogućeno za višestruko područje kuhanja;
- odabrana razina snage viša od 0.

Višestruko područje kuhanja isključite tako da pritisnete gumb "B" željenog područja, a zatim ponovno pritisnete "F".

TIMER

Funkciju mjerača vremena postavite tako da odaberete željeno područje kuhanja i postavku snagu, zatim ponovno pritisnete tipku područja kuhanja i na zaslonu područja kuhanja s mjeračem vremena prikazuje se svjetleća točka. Oznaka "00" treperi na 2 zaslona. Pritisnite gumb "C" ili "E" za postavljanje vremena od 1 do 99.

VAŽNO: nakon 10 sekundi na zaslonu mjerača vremena prikazuje se postavka snage ostalih područja kuhanja.

Preostalo vrijeme kuhanja pogledajte tako da dva puta pritisnete tipku područja kuhanja s mjeračem vremena.

FUNKCIJA A

Ova funkcija omogućuje da se automatski smanji snaga zone za kuhanje od najveće vrijednosti (razina 9) do one koju korisnik odabere u kasnijoj fazi kuhanja. Da biste uključili ovu funkciju, prvo pritisnite gumb "+" kad se postigne razina 9. Na zaslonu naizmjenično trepere "A" i "9" slabijim svjetlom.

Tada odaberite željenu razinu snage (manje od 9) s pomoću gumba "-".

"A" i odabrana razina naizmjenično trepere slabijim svjetlom na zaslonu.

Funkcija je uključena kad "A" i odabrana razina naizmjenično trepere slabijim svjetlom na zaslonu.

Kad "A" više nije vidljiv na zaslonu (funkcija "A" automatski se isključuje nakon nekoliko minuta ovisno o postavljenoj razini snage), postupak kuhanja nastavlja se slabijom snagom i na zaslonu se prikazuje samo odabrana razina snage.

NAPOMENA: ova funkcija nije moguća na razini 9.



ZAKLJUČAVANJE TIPKI

Funkcija Zaključavanje tipki uključuje se tako da se gumb "D" drži pritisnut sve dok ne zasvijetle točke iznad gumba funkcije. Na upravljačkoj ploči zaključavaju se sve funkcije osim funkcije za isključivanje. Funkcija ostaje uključena čak i nakon ponovnog isključivanja i uključivanja gumba i može se isključiti ponovnim pritiskom na gumb "D" sve dok se ne isključi funkcijskog gumba.

Kad je ploča za kuhanje isključena s pomoću zaključavanja tipki koja je uključena da bi isključila ploču za kuhanje, prvo isključite funkciju zaključavanja tipki tako da ponovno pritisnete gumb "D" sve dok se ne isključi točka iznad gumba funkcije.

Vodom, tekućinom prolivenom iz posude ili bilo kakvim predmetima na tipkama ispod simbola slučajno možete aktivirati ili deaktivirati funkciju zaključavanja tipki.



INDIKATOR PREOSTALE TOPLINE

Kada se područje kuhanja isključi, indikator preostale topline "H" ostaje isključen i treperi naizmjenično s "0" sve dok se temperatura štednjaka ne vrati unutar razina sigurnosti.

TABLICA KUHANJA

RAZINA SNAGE		VRSTA PRIPREME JELA	RAZINA UPOTREBE (označava iskustvo u kuhanju i navike)
Maksimalna snaga	9	Ključanje	Idealno za brzo povećanje temperature jela na brzo vrenje, predviđeno za vodu ili tekućine koje se brzo zagrijavaju.
	9-8	Prženje	Idealno za jače završno pečenje, početak kuhanja, prženje zamrznutih proizvoda, brzo zakuhanje.
Visoka snaga	8-7	Završno pečenje – održavanje vrenja – pečenje na roštilju	Idealno za prženje, održavanje jakog ključanja, kuhanje i pečenje na roštilju (kratkotrajno, 5 – 10 minuta).
	7-6	Prženje – kuhanje – pečenje na roštilju	Idealno za održavanje laganog ključanja, kuhanje i pečenje na roštilju (srednje trajanje, 10 – 20 minuta), predgrijavanje i prženje.
Srednja snaga	6-5	Lagano prženje	Idealno za prženje jaja, omlete.
	5-4	Kuhanje – pirjanje – vrenje	Idealno za recepte s dugom pripremom (riža, umaci, pečenja, riba) s tekućinom (npr. voda, vino, temeljac, mlijeko), pripremu tjestenine s umakom.
	4-3	Zgušnjavanje – tjestenina s kremastim umakom	
Niska snaga	2-1	Održavanje hrane vrućom – kremasti rižoto	Idealno za održavanje netom kuhane hrane toplom (npr. umaka, juha, minestrone), kremasti rižoto i održavanje posluženih jela toplim.
Minimalna snaga	1	Odmrzavanje	Idealno za odmrzavanje malih proizvoda i lagano topljenje čokolade ili maslaca.
Nulta snaga	0	-	Ploča je u stanju mirovanja ili je isključena (moguća preostala toplina nakon kuhanja, označena slovom "H").

ČIŠĆENJE I ODRŽAVANJE

⚠ Iskopčajte uređaj iz struje.

- Ne upotrebljavajte pribor za parno čišćenje.
- Ne upotrebljavajte abrazivne spužve ili spužve za ribanje jer one mogu oštetiti staklo.
- Nakon svake upotrebe očistite ploču (kada se ohladi) kako biste uklonili ostatke i mrlje od ostataka hrane.

VAŽNO: Sigurnosne značajke štednjaka uključuju i funkciju automatskog isključivanja. Produljena upotreba iste postavke topline uključuje automatsko isključivanje područja kuhanja (na primjer, nakon oko 1 sata rada na maksimalnoj postavci topline područje kuhanja isključuje se).

VAŽNO: Da bi se izbjeglo trajno oštećenje ploče za kuhanje:

- nemojte upotrebljavati lonce kojima dno nije potpuno ravno;
- nemojte upotrebljavati metalne lonce s emajliranim dnom;
- nemojte postavljati vruće lonce/tave na upravljačku ploču.

Ova je ploča opremljena i funkcijom "automatskog isključivanja" koja isključuje zonu za kuhanje ako nijedna izmjena razine snage nije napravljena nakon određenog vremenskog okvira ovisno o samoj postavci snage. U tablici je navedeno trajanje svake razine snage.

RAZINA SNAGE	VRIJEME AUTOMATSKOG ISKLJUČIVANJA
0	30 sekundi
1	10 sati
2	5 sati
3	5 sati
4	4 sata
5	3 sata
6	2 sata
7	2 sata
8	2 sata
9	1 sat

Hotpoint

ARISTON

RJEŠAVANJE PROBLEMA

Ako ploča za kuhanje ne radi pravilno, prije pozivanja postprodajnog servisa pogledajte vodič za otklanjanje poteškoća kako biste utvrdili problem.

- Pročitajte i pridržavajte se uputa navedenih u dijelu "Svakodnevna uporaba".
- Provjerite da napajanje nije isključeno.
- Dobro osušite ploču nakon čišćenja.
- Ako je odabrano područje kuhanja i na zaslonu se prikazalo "F" ili "ER" popraćeno brojkom, obratite se postprodajnoj službi i obavijestite ih.
- Ako je kod pogreške "F03", "ER03" ili "E02", pokušajte ga riješiti prateći ove upute:
 - Ako se pojavi pogreška "E02", provjerite da niste na dulje od 5 sekundi pritisnuli gumb, da na području sučelja uređaja nema predmeta i da je ono suho i čisto, a prilikom čišćenja pratite odlomak čišćenje i održavanje.
 - Ako se pojavi pogreška "F03", pokušajte ponovno isključiti i ponovno uključiti ploču za kuhanje.
 - Ako se pojavi pogreška "F04", obratite se postprodajnoj službi i recite im koji se kod prikazao.

- Ako štednjak ne radi nakon dulje, intenzivne upotrebe, unutarnja temperatura štednjaka je previsoka. Pričekajte nekoliko minuta da se štednjak ohladi.
- Ako grijač nije stalno uključen, već se ciklički uključuje i isključuje iako se ne mijenja razina snage na zaslonu ne mijenja, to je dio uobičajenog rada ploče za kuhanje. Ciklus uključivanja/isključivanja omogućuje regulaciju snage grijača i potpuno je uobičajen. U nekim slučajevima mogla bi se na određeno vrijeme isključiti toplinska zaštita da bi se izbjeglo oštećenje stakla. Takvi su slučajevi: dugotrajno kuhanje na visokoj razini snage, u loncu koji je manji od grijača i u loncu koji nema ravno dno.
- Ako ploča za kuhanje odašilje kratki zvuk, a da niste pritisnuli nijedan gumb, provjerite ima li prolivene tekućine na sučelju uređaja. Osušite sučelje uređaja i nastavite upotrebljavati ploču za kuhanje. Ako se ploča za kuhanje automatski isključila, to je možda prouzročila tekućina na sučelju uređaja. Osušite sučelje uređaja i ponovno uključite ploču za kuhanje.

Ako i nakon navedenih provjera kvar ostaje, obratite se najbližem postprodajnom servisu.

POSTPRODAJNI SERVIS

Kako bismo vam mogli pružiti potpuniju pomoć, registrirajte svoj uređaj na adresi www.hotpoint.eu/register.

PRIJE NEGO ŠTO KONTAKTIRATE POSTPRODAJNI SERVIS:

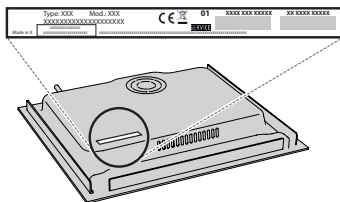
1. Pogledajte možete li sami riješiti problem uz pomoć prijedloga danih u **VODIČ ZA RJEŠAVANJE PROBLEMA**.
2. Isključite i ponovno uključite uređaj kako biste provjerili je li kvar uklonjen.

AKO SE I NAKON NAVEDENIH PROVJERA KVAR I DALJE JAVLJA, OBRATITE SE NAJBLIŽEM POSTPRODAJNOM SERVISU.

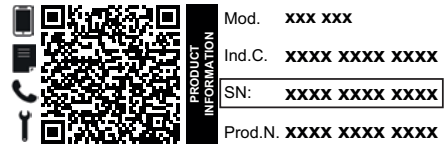
Za pomoć nazovite broj u knjižici jamstva ili slijedite upute na webmjestu www.hotpoint.eu.

Kada kontaktirate korisničku službu uvijek navedite:

- kratki opis kvara,
- vrstu i točan model uređaja;



- serijski broj (broj iza riječi SN na nazivnoj pločici na dnu uređaja). Serijski je broj naveden i u dokumentaciji;



- svoju punu adresu;
- svoj telefonski broj.

Ako je popravak potreban obratite se ovlaštenom Postprodajnom servisu (kako bi se jamčila uporaba originalnih rezervnih dijelova i ispravan popravak).

Do pravilne uporabe, standardne dokumentacije i dodatnih informacija o izdankih lahko dostopate na naslednje načine:

- Skenirajte QR-kodo na svojem aparatu;
- Obiščite našo spletno stran docs.hotpoint.eu;
- **Obrnete se lahko tudi na našo servisno službo** (telefonske številke so navedene v servisni knjižici). Ko stopite v stik z našo servisno službo, navedite kode, ki so zapisane na identifikacijski ploščici izdelka.



BEZBEDNOSNA UPUTSTVA

VAŽNO JE DA SE PROČITAJU I POŠTUJU

Preuzmite kompletno korisničko uputstvo sa adrese <http://docs.hotpoint.eu> ili pozovite broj telefona koji se nalazi u garantnoj knjižici.

Pažljivo pročitajte ova bezbednosna uputstva pre upotrebe uređaja. Sačuvajte ih za buduću upotrebu. Ovaj priručnik i sam uređaj pružaju važna bezbednosna upozorenja koja morate pročitati i kojih se morate uvek pridržavati. Proizvođač se odriče svake odgovornosti u slučaju nepoštovanja ovih bezbednosnih uputstava, nepravilnog korišćenja uređaja ili nepravilno podešenih kontrola.

⚠ **UPOZORENJE:** Ukoliko je površina ploče za kuvanje naprsila, nemojte koristiti uređaj - postoji rizik od električnog udara.

⚠ **UPOZORENJE:** Opasnost od požara: ne skladištite stvari na površinama za kuvanje.

⚠ **OPREZ:** Proces kuvanja mora da se nadgleda. Kraći proces kuvanja mora neprekidno da se nadgleda.

⚠ **UPOZORENJE:** Kuvanje na ploči bez nadzora, kada se koristi mast ili ulje, može da bude opasno - postoji rizik od požara. NIKADA nemojte pokušavati da ugasisite požar vodom: umesto toga, isključite uređaj, a zatim pokrijte plamen poklopcem, na primer, ili vatrostalnim prekrivačem.

⚠ Nemojte da koristite ploču za kuvanje kao potporu ili radnu površinu. Krpe i druge zapaljive materijale držite dalje od uređaja dok se svi delovi potpuno ne ohlade – postoji rizik od požara.

⚠ Malu decu (do 3 godine) treba držati dalje od uređaja. Malu decu (3-8 godina) treba držati dalje od uređaja, osim ukoliko imaju konstantan nadzor. Deca starosti od 8 godina i više i osobe sa umanjenim fizičkim, čulnim ili mentalnim sposobnostima ili manjkom iskustva i znanja, mogu da koriste ovaj uređaj samo ako su pod nadzorom ili ako su im data uputstva za bezbedno korišćenje uređaja i ukoliko razumeju moguće rizike. Deca se ne smeju igrati sa uređajem. Čišćenje i održavanje ne smeju vršiti deca bez nadzora.

⚠ **UPOZORENJE:** Uređaj i njegovi dostupni delovi jako se zagrevaju u toku upotrebe. Pobrinite se da ne dođe do kontakta sa grejačima. Decu mlađu od 8 godina treba uvek držati po strani, ukoliko nisu pod stalnim nadzorom.

DOZVOLJENA UPOTREBA

⚠ **OPREZ:** Uređaj nije predviđen da se njime upravlja spoljnim uređajem za uključivanje, kao što je tajmer, ili odvojenim sistemom za daljinsko upravljanje.

⚠ Ovaj uređaj je namenjen za upotrebu u domaćinstvu i takođe se može koristiti: u kuhinjama za osoblje u prodavnicama, kancelarijama i drugim radnim okruženjima; u seoskim gazdinstvima; od strane gostiju hotela, motela, prenočišta sa doručkom i drugih objekata za smeštaj gostiju.

⚠ Nijedna druga upotreba nije dozvoljena (npr. zagrevanje prostorija).

⚠ Ovaj uređaj nije namenjen za profesionalnu upotrebu. Ne koristite uređaj na otvorenom.

UGRADNJA

⚠ Ovim uređajem moraju rukovati i montirati ga dve ili više osoba – postoji rizik od povrede. Prilikom raspakivanja i ugradnje, koristite zaštitne rukavice - rizik od posekotine.

⚠ Ugradnju, uključujući dovod vode (ako postoji), električno povezivanje i popravke mora da obavi kvalifikovani tehničar. Ne popravljajte delove uređaja i ne menjajte ih ukoliko to nije izričito navedeno u uputstvu za upotrebu. Držite decu podalje od mesta ugradnje. Nakon otpakivanja uređaja, uverite se da nije došlo do oštećenja prilikom transporta. U slučaju da ima nekih problema, obratite se svom prodavcu ili najbližoj Postprodajnoj službi. Nakon ugradnje, otpadna ambalaža (plastični delovi, delovi od stiropora itd.) se mora čuvati van domašaja dece - rizik od gušenja. Pre ugradnje, uređaj se mora isključiti sa strujnog napajanja – postoji rizik od strujnog udara. Pazite da uređaj ne ošteti kabl za napajanje tokom ugradnje – postoji rizik od požara ili strujnog udara. Aktivirajte uređaj tek nakon što je postupak ugradnje završen.

⚠ Sva sečenja na vitrini obavite pre postavljanja uređaja u kućište i uklonite sve opiljke i strugotinu.

⚠ Ukoliko uređaj nije postavljen iznad rene, pregradna ploča (koja nije uključena) se mora postaviti u odeljak ispod uređaja.

OPASNOST OD ELEKTRIČNOG UDARA

⚠ Mora biti omogućeno isključivanje uređaja sa napajanja izvlačenjem utikača iz utičnice, ukoliko joj se može pristupiti, ili putem dostupnog višepolnog prekidača postavljenog iznad utičnice u skladu sa pravilima ožičenja, a uređaj mora biti uzemljen, u skladu sa nacionalnim bezbednosnim standardima.

⚠ Ne koristite produžne kablove, višestruke utičnice ili adaptere. Nakon ugradnje električni delovi ne smeju da budu dostupni korisniku. Ne koristite uređaj kada ste mokri ili bos. Ne rukujte ovim uređajem ako mu je oštećen kabl za napajanje ili utikač, ako ne radi kako treba, ili ako je oštećen ili ste ga ispustili.

⚠ Instalacija pomoću utikača strujnog kabla nije dozvoljena, osim u slučaju da je proizvod već opremljen utikačem koji je obezbedio Proizvođač.

⚠ Ukoliko je kabl za napajanje oštećen, potrebno je da ga proizvođač, serviser ili druga kvalifikovana osoba zameni istim takvim kako bi se izbegla opasnost – postoji rizik od električnog udara.

ČIŠĆENJE I ODRŽAVANJE

⚠ **UPOZORENJE:** Pre obavljanja čišćenja ili održavanja, vodite računa da uređaj bude isključen i da ne bude priključen na strujno napajanje; nikada ne koristite opremu za čišćenje parom – postoji rizik od električnog udara.

⚠ Nemojte da koristite abrazivne ili korozivne proizvode, sredstva za čišćenje na bazi hlora ili mrežice za čišćenje posuđa.

ODLAGANJE AMBALAŽE


Materijal za pakovanje je moguće 100% reciklirati i označen je reciklažnim simbolom .

Razni delovi pakovanja se moraju odgovorno odlagati u skladu i potpuno sa lokalnim propisima o odlaganju otpada.

ODLAGANJE KUĆNIH UREĐAJA

Ovaj uređaj je proizveden od materijala koji se mogu reciklirati ili ponovo upotrebiti. Odložite ga u skladu s lokalnim propisima o odlaganju otpada. Za više informacija o tretmanu, ponovnom iskorišćavanju i reciklaži kućnih električnih uređaja obratite se nadležnom lokalnom organu vlasti, službi za sakupljanje komunalnog otpada ili prodavnici u kojoj ste kupili uređaj. Ovaj uređaj je označen u skladu sa Evropskom direktivom 2012/19/EU o električnoj i elektronskoj opremi (WEEE) i u skladu sa regulativama o električnoj i elektronskoj opremi 2013 (sa izmenama i dopunama).

Ako pravilno odložite proizvod na otpad, pomoći ćete u sprečavanju potencijalnih negativnih posledica po životnu sredinu i zdravlje ljudi.

Simbol  na proizvodu ili na dokumentima koji prate proizvod pokazuje da se ovaj uređaj ne može tretirati kao otpad iz domaćinstva, već treba da se dostavi odgovarajućem centru za sakupljanje i recikliranje električne i elektronske opreme.

SAVETI ZA UŠTEDU ENERGIJE

Iskoristite maksimalno zaostalu toplotu koju proizvodi ringla, tako što ćete isključiti uređaj par minuta pre završetka kuvanja.

Osnova tiganja ili šerpe treba u potpunosti da prekrije ringlu; posuda koja je manje površine nego ringla će bespotrebno trošiti energiju.

Tiganje i šerpe prekrijte poklopcima prilikom kuvanja i koristite što manje vode. Priprema hrane u posudi bez poklopca će dovesti do pojačane potrošnje energije.

Koristite samo šerpe i tiganje sa ravnim dnom.

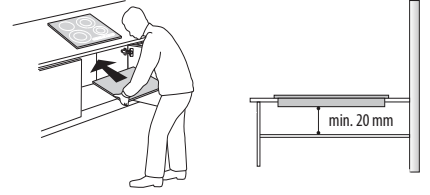
IZJAVA O USAGLAŠENOSTI

Ovaj uređaj ispunjava zahteve za Evropsku odredbu 66/2014 i propise za ekološki dizajn za proizvode u vezi sa energijom i energetske informacije (amandman) (izlazak iz EU) 2019, u skladu sa Evropskim standardom EN 60350-2.



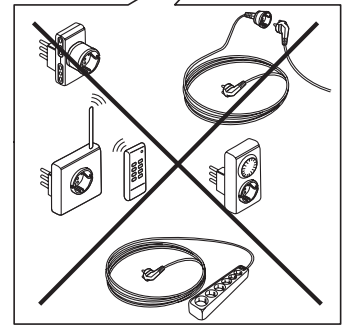
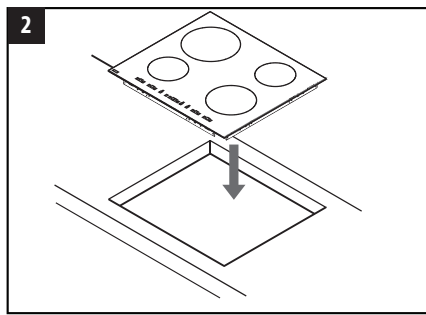
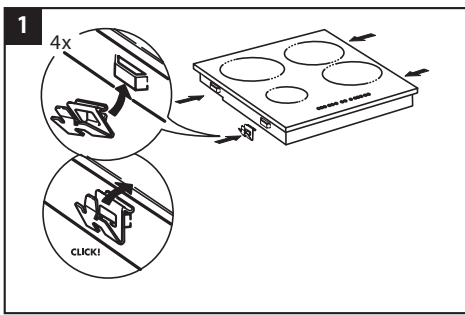
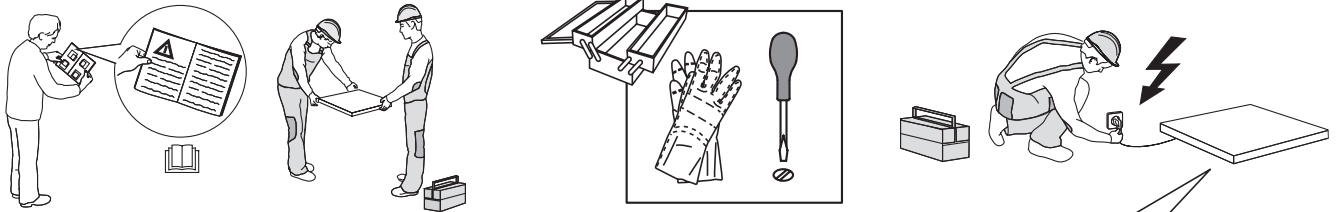
UGRADNJA

- Ploča za kuvanje mora da bude postavljena u radnu površinu na dubini od najmanje 20 mm.
- Između površine za kuvanje i rerne ne sme ništa da stoji (vođice, podupirači, itd.).
- Postarajte se da kabl za napajanje bude odgovarajuće dužine koja će omogućiti prikladnu instalaciju.
- Razdaljina između donje strane staklo-keramičke ploče za kuvanje ili kuhinjskog elementa ili razdvajajuće ploče mora da bude najmanje 20 mm.
- Za ugradne dimenzije i ugradnju pogledajte sliku u ovom pasusu.
- Minimalno rastojanje između ploče za kuvanje i aspiratora iznad nje se mora ispoštovati. Više informacija potražite u korisničkom uputstvu za aspirator.
- Dostavljenu zaptivku postavite na površinu za kuvanje (osim ako nije već postavljena), nakon što ste očistili površinu.
- Površinu za kuvanje nemojte montirati pored mašine za pranje posuđa ili rublja da električna kola ne bi došla u kontakt sa parom ili vlagom što bi moglo da ih ošteti.
- Ukoliko je rerma smeštena ispod površine za kuvanje, vodite računa da poseduje rashladni sistem. Ukoliko temperatura električnih kola premaši maksimalnu dozvoljenu temperaturu, površina za kuvanje će se odmah isključiti; u tom slučaju, sačekajte par minuta dok se unutrašnja temperatura električnih kola ne spusti na podnošljiv nivo, kada ćete ujedno moći opet da uključite ploču za kuvanje.

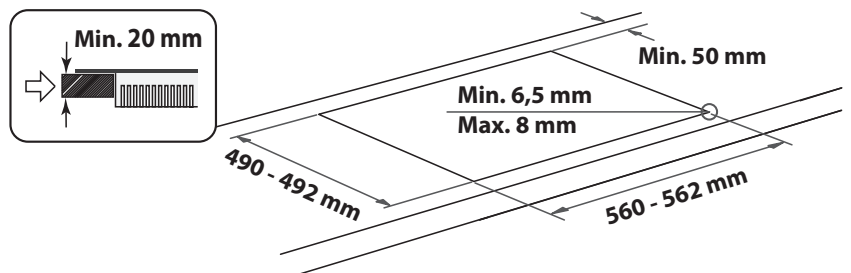
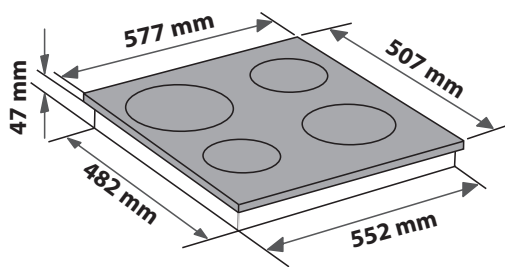
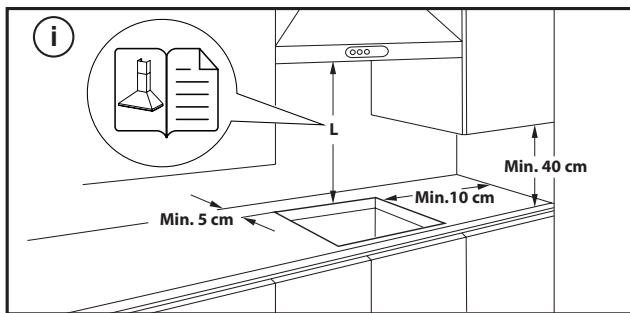


POSTAVLJANJE PLOČE ZA KUVANJE

Nakon priključivanja na električnu mrežu (pogledajte poglavlje "Priključivanje na električnu mrežu"), postavite svaki od pričvrtnih držača na namenska ležišta na bočnim stranama ploče za kuvanje, kao što je prikazano na slici. Zatim gurnite ploču za kuvanje unutar izreza i proverite da li je staklo ravno i paralelno sa radnom pločom. Pričvrtni držači su projektovani za svaku vrstu materijala radne ploče (drvo, mermer, itd).



DIMENZIJE I RAZMACI



UKLANJANJE PLOČE:

Da biste uklonili ploču, prvo je isključite iz električnog napajanja. Preporučuje se da obavezno oslobodite gornji deo od rerne, fioke, pregradne ploče ili drugog elementa. To omogućava tehničaru da pristupi donjem delu ploče radi odvrtanja četiri žabice pomoću odvijača i da podigne ploču i skine je bez oštećenja radne površine.

PRIKLJUČIVANJE NA ELEKTRIČNO NAPAJSANJE

Povezivanje električnih priključaka se mora izvršiti pre priključenja uređaja na električnu mrežu.

Kabl za napajanje se ne isporučuje uz proizvod – ne zaboravite da pripremite svoj kabl za napajanje.




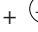
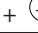
Montiranje mora da obavi kvalifikovano osoblje koje je upoznato sa aktuelnim propisima u vezi sa bezbednošću i montiranjem. Naročito, montiranje se mora izvršiti u skladu sa propisima lokalne kompanije za snabdevanje električnom energijom.

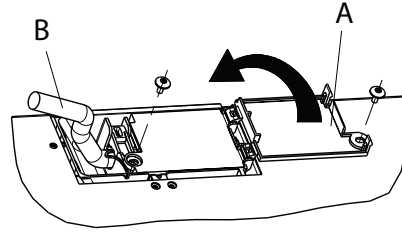
Uverite se da je napon koji je naveden na natpisnoj pločici na dnu aparata isti kao napon u kući.

Propisi nalažu da uređaj bude uzemljen: koristite isključivo provodnike (uključujući provodnik uzemljenja) odgovarajuće veličine.

POVEZIVANJE SA PRIKLJUČNIM BLOKOM


Za priključivanje na električnu mrežu koristite kabl H05RR-F ili H05V2V2-F, kao što je navedeno u tabeli koja sledi.

MREŽNI NAPON ZA NAPAJSANJE	PROVODNICI KOLICINA x VELICINA
220-240V ~+ 	3 x 4 mm ²
230-240V ~+ 	3 x 4 mm ² (samo za Australiju)
220-240V 3~+ 	4 x 1,5 mm ²
380-415V 3N~+ 	5 x 1,5 mm ²
380-425V 2N~+ 	4 x 1,5 mm ²



Uređaj mora biti priključen na električnu mrežu putem prekidača za odvajanje svih polova sa minimalnim kontaktnim zazorom od 3 mm.

PAŽNJA: kabl za napajanje treba da bude dovoljno dugačak kako bi površina za kuvanje mogla da se izvadi iz radne ploče, i treba da se postavi kako bi se izbeglo oštećenje ili pregrevanje do kog može da dođe prilikom kontakta sa osnovom.

NAPOMENA: žuti/zeleni provodnik uzemljenja mora da bude povezan sa kablovskom utičnicom sa simbolom  i mora da bude duži od ostalih žica.

- Uklonite otprilike 70 mm izolacionog omotača sa kabla napajanja (B).
- Skinite nekih 10 mm omotača sa žica. Potom umetnite kabl napajanja u klemu kabla i povežite žice sa priključnim blokom kao što je prikazano u dijagramu ožičenja koji se nalazi u blizini samog priključnog bloka.
- Osigurajte kabl napajanja (B) pomoću klemu kabla.
- Zatvorite priključni blok sa poklopcem (A) i pričvrstite ga zavrtnjima koje ste dobili.
- Nakon povezivanja električnih priključaka, postavite ploču sa kuvanje sa gornje strane i zakačite je na potporne opruge, prateći uputstva na slici.



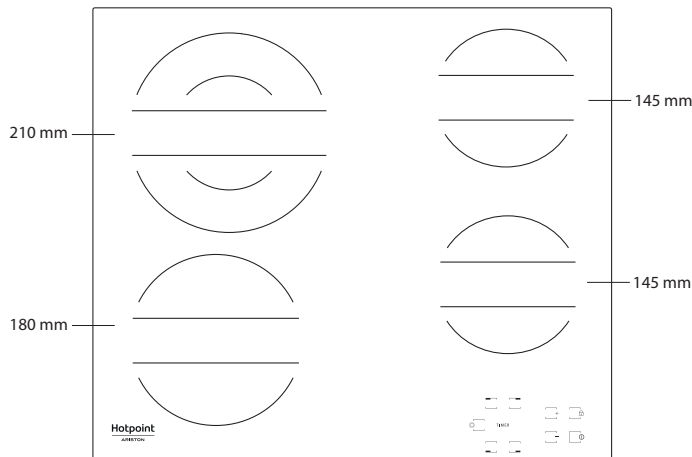
HVALA ŠTO STE KUPILI PROIZVOD KOMPANIJE WHIRLPOOL
Kako biste dobili kompletniju podršku, registrujte svoj proizvod putem www.hotpoint.eu/register.

SKENIRAJTE QR KÔD NA SVOM UREĐAJU DA BISTE DOBILI VIŠE INFORMACIJA

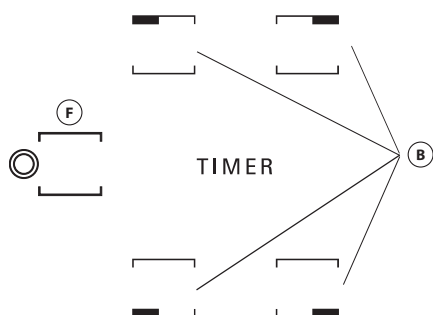


Pažljivo pročitajte bezbedosna uputstva pre upotrebe uređaja.

OPIS PROIZVODA



KONTROLNA TABLA



- A** Uključeno/isključeno
- B** Izbor zone za kuvanje i tajmera
- C-E** Povećavanje i smanjivanje temperature
- D** Zaključavanje dugmad
- F** Aktivacija / Deaktivacija višestruke zone

PRVA UPOTREBA

Nakon prve montaže, kontrolna tabla vrši funkcionalni test u trajanju od oko 1 sekunde, nakon čega se automatski prebacuje na funkciju "Zaključavanje dugmad".

Da biste deaktivirali ovu funkciju, pritisnite i držite dugme "D"; oglašiće se zvučni signal i isključiće se odgovarajuća LED lampica.

NAPOMENA: Ako dođe do resetovanja, ponovite gore opisan postupak.

SVAKODNEVNA UPOTREBA

UKLJUČIVANJE/ISKLUČIVANJE PLOČE ZA KUVANJE

Da biste uključili ploču za kuvanje, držite dugme "A" pritisnuto približno 2 sekunde. Za sve 4 zone za kuvanje prikazano je "0". Ako se u roku od 20 sekundi ne aktivira nijedna zona za kuvanje, ploča za kuvanje se automatski isključuje kao bezbednosna mera opreza.

UKLJUČIVANJE I PODEŠAVANJE ZONA ZA KUVANJE

Pritisnite ono dugme "B" koje odgovara zoni za kuvanje koju želite da koristite. Izaberite željenu postavku temperature pomoću dugmadi "E" ili "C". Druge postavke kuvanja koje mogu da se izaberu idu od 1 do 9. Istovremeno pritisnite dugmad "+/-" da biste otkazali sve postavke.

VAŽNO: kontrola se isključuje 10 sekundi nakon odabira postavke temperature. Da biste promenili postavku temperature, prvo ponovo pritisnite dugme za izbor "B", a zatim nastavite sa promenom postavki pomoću dugmadi "E" ili "C".

VIŠESTRUKI ZONE

Nakon što ste odabrali željenu zonu i podesili nivo (kao što je opisano u prethodnom odeljku) pritisnite "F": indikator iznad dugmeta se uključuje, čime se aktivira dodatna zona.

Višestruka zona se može koristiti samo u slučaju:

- Zona za kuvanje je opremljena višestrukim zonama;
- Odabrani nivo snage je veći od 0.

Za deaktivaciju višestruke zone, pritisnite dugme "B" željene zone, a potom ponovo pritisnite "F".

TIMER

Da biste podesili funkciju Tajmer, izaberite željenu zonu za kuvanje i postavku snage, zatim ponovo pritisnite taster zone za kuvanje i svetla tačka će se pojaviti na displeju zone za kuvanje kontrolisane tajmerom. Indikator "00" treperi na 2 displeja. Pritisnite dugme "C" ili "E" da biste podesili vreme od 1 do 99.

VAŽNO: nakon 10 sekundi na displeju tajmera će biti prikazane postavke snage za druge zone za kuvanje.

Da biste videli preostalo vreme kuvanja, pritisnite taster zone za kuvanje kontrolisane tajmerom dva puta.

FUNKCIJA A

Ova funkcija omogućava automatsko smanjivanje nivoa snage zone za kuvanje od najviše vrednosti (nivo 9) do nivoa koji je izabrao korisnik za kasniju fazu kuvanja. Da biste aktivirali ovu funkciju, prvo pritisnite dugme "+" kada se postigne nivo 9. Na displeju se prikazuje "A" i "9" naizmenično treperi na niskom nivou osvetljenosti. Tada izaberite željeni nivo snage (niži od 9) pomoću dugmeta "-".

"A" i izabrani nivo naizmenično trepere na niskom nivou osvetljenosti na displeju. Funkcija je aktivirana kada "A" i izabrani nivo naizmenično trepere na visokom nivou osvetljenosti na displeju.

Kada se "A" više ne vidi na displeju (funkcija "A" se isključuje automatski nakon nekoliko minuta u zavisnosti od podešenog nivoa snage), proces kuvanja se nastavlja na nižem nivou snage i na displeju se prikazuje samo izabrani nivo snage.

NAPOMENA: ova funkcija nije moguća na nivou 9.



ZAKLJUČAVANJE DUGMAD

Funkcija Zaključavanja dugmeta uključuje se kada držite pritisnuto dugme "D" dok se ne uključi tačka iznad dugmeta funkcije. Kontrolna tabla je zaključana, osim za funkciju isključivanja. Ova funkcija ostaje uključena čak i kada se ploča za kuvanje isključi, a zatim ponovo uključi, i može se deaktivirati ponovnim pritiskom na dugme "D" dok se tačka iznad dugmeta funkcije ne isključi.

Kada je ploča isključena i kada je zaključavanje dugmeta aktivirano, da biste uključili ploču, prvo deaktivirajte funkciju zaključavanja dugmeta tako što ćete ponovo pritisnuti dugme "D" dok se tačka iznad dugmeta funkcije ne isključi.

Prisustvo vode, tečnosti prosute iz šerpi ili drugih predmeta koji se nalaze na bilo kojoj komandi može slučajno da aktivira ili deaktivira zaključavanje dugmeta.



INDIKATOR TEMPERATURE

Kada se zona za kuvanje isključi, indikator temperature "H" ostaje uključen ili treperi smenjajući se sa oznakom "0" dok se temperatura ploče za kuvanje ne vrati na bezbedan nivo.

TABELA ZA KUVANJE

NIVO SNAGE		VRSTA KUVANJA	NIVO KORIŠĆENJA (ukazuje na iskustvo i navike u kuvanju)
Maksimalna snaga	9	Ključanje	Idealno za brzo povećavanje temperature hrane do brzog ključanja u slučaju vode ili brzo zagrevanje tečnosti za kuvanje.
	9 – 8	Prženje	Idealno za rumenjenje, početak kuvanja, prženje zamrznutih proizvoda, brzo ključanje.
Velika snaga	8 – 7	Rumenjenje – održavanje ključanja – grilovanje	Idealno za rumenjenje, održavanje ključanja, kuvanje i grilovanje (kratko trajanje, 5 do 10 minuta).
	7 – 6	Prženje – kuvanje – grilovanje	Idealno za održavanje krčkanja, kuvanje i grilovanje (srednje trajanje, 10 do 20 minuta), predzagrevanje i prženje.
Srednja snaga	6 – 5	Nežno prženje	Idealno za prženje jaja i omleta.
	5 – 4	Kuvanje – krčkanje – dinstanje	Idealno za dugotrajno kuvanje (pirinač, sosovi, meso, riba) sa tečnostima (npr. voda, vino, supa, mleko), kremasta pasta.
	4 – 3	Zgušnjavanje – kremasta pasta	
Mala snaga	2 – 1	Održavanje toplote hrane – kremasti rižoto	Idealno za održavanje tek pripremljene hrane toplom (npr. sosovi, supe, minestrome), kremasti rižoto i održavanje toplote jela koja se serviraju.
Minimalna snaga	1	Odmrzavanje	Idealno za odmrzavanje malih proizvoda i nežno topljenje čokolade ili putera.
Nema napajanja	0	—	Ploča u režimu mirovanja ili isključena (moguća rezidualna toplota nakon kuvanja označena slovom "H").

ČIŠĆENJE I ODRŽAVANJE

⚠ Isključite uređaj sa električne mreže.

- Nemojte koristiti uređaje za čišćenje parom.
- Nemojte koristiti abrazivne sundere ili strugače, jer bi mogli da oštete staklo.
- Nakon svake upotrebe, očistite ploču za kuvanje (kada je hladna) da biste uklonili naslage i fleke od ostatka hrane.
- Šećer ili hrana sa velikom količinom šećera mogu da oštete ploču za kuvanje i moraju se odmah ukloniti.

VAŽNO: Bezbednosne karakteristike ploče za kuvanje uključuju funkciju automatskog isključivanja. Dugotrajna primena iste postavke temperature aktivira automatsko isključivanje zone za kuvanje (na primer, nakon približno 1 sat primene maksimalne postavke temperature, zona za kuvanje se isključuje).

VAŽNO: Da izbegnete stalno oštećenje ploče za kuvanje:

- nemojte koristiti šerpe sa dnom koje nije ravno;
- nemojte koristiti metalne lonce sa emajliranim dnom;
- nemojte stavljati vrele šerpe/tiganje preko kontrolne table.

Ploča takođe sadrži funkciju "automatskog isključivanja" koja isključuje zonu za kuvanje ako se ne izvrši izmena nivoa snage nakon određenog perioda u zavisnosti od samog podešavanja nivoa snage. U tabeli je navedeno trajanje svakog nivoa snage.

NIVO SNAGE	VREME AUTOMATSKOG ISKLJUČIVANJA
0	30 sekundi
1	10 sati
2	5 sati
3	5 sati
4	4 sata
5	3 sata
6	2 sata
7	2 sata
8	2 sata
9	1 sat

Hotpoint

ARISTON

OTKLANJANJE PROBLEMA

Ukoliko ploča za kuvanje ne radi kako bi trebalo, pogledajte vodič za rešavanje problema pre nego što pozovete službu za korisnike.

- Pročitajte i pridržavajte se uputstava datih u odeljku "Svakodnevna upotreba".
- Proverite da li je prekinuto električno napajanje.
- Dobro osušite ploču za kuvanje nakon čišćenja.
- Ukoliko je zona za kuvanje odabrana, a na displeju se pojavi "F" ili "ER" praćeno brojem, obratite se postprodajnom servisu i obavestite ih.
- Ako je kôd greške "F03", "ER03" ili "E02", pokušajte da je otklonite prema ovim uputstvima:
 - Ako se prikaže greška "E02", pazite da ne pritisnete dugmad duže od 5 sekundi, da nema predmeta u oblasti HMI interfejsa i da je interfejs čist i suv. Prilikom čišćenja sledite uputstva iz odeljka Čišćenje i održavanje.
 - Ako se prikaže greška "F03", pokušajte da isključite i ponovo uključite ploču za kuvanje.
 - Ako se prikaže greška "F04", obratite se postprodajnom servisu i obavestite ih o prikazanom kôdu greške.

- Ukoliko ploča za kuvanje ne radi nakon intenzivne upotrebe, unutrašnja temperatura same ploče je previsoka. Sačekajte par minuta dok se ploča za kuvanje ne ohladi.
- Ako je grejač neprekidno uključen, ali se ciklično isključuje i uključuje čak i kada se nivo snage na displeju ne menja, to je deo normalnog funkcionisanja ploče. Ciklus uključivanja/isključivanja omogućava regulaciju snage grejača i sasvim je normalno. U nekim slučajevima, toplotna zaštita može da isključi grejač u određenom periodu da bi se izbeglo oštećenje stakla. Primeri takvih slučajeva su: dugo kuvanje na visokom nivou snage, upotreba šerpi koje su manje od grejnog elementa i korišćenje šerpi čije dno nije ravno.
- Ako ploča emituje kratak zvuk a da korisnik nije pritisnuo nijedno dugme, uklonite svu tečnost koja je prosuta na HMI interfejs. Osušite HMI interfejs i nastavite da koristite ploču. Ako je ploča isključena automatski, do toga je možda došlo usled prisustva tečnosti na HMI interfejsu. Osušite HMI interfejs i ponovo uključite ploču.

Ukoliko i posle navedenih provera kvar još uvek postoji, obratite se najbližem postprodajnom servisu.

POSTPRODAJNI SERVIS

U cilju dobijanja sveobuhvatne pomoći i podrške, registrujte proizvod na www.hotpoint.eu/register.

PRE NEGO ŠTO POZOVETE POSTPRODAJNI SERVIS:

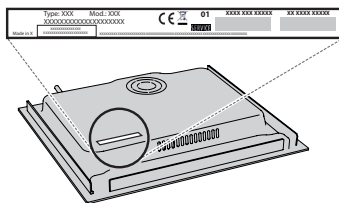
1. Proverite da li možete da rešite problem sami uz pomoć saveta datih u odeljku **OTKLANJANJE PROBLEMA**.
2. Uključite pa isključite uređaj i proverite da li je kvar i dalje prisutan.

UKOLIKO I NAKON GORENAVEDENIH PROVERA KVAR I DALJE POSTOJI, OBRATITE SE NAJBLIŽEM POSTPRODAJNOM SERVISU.

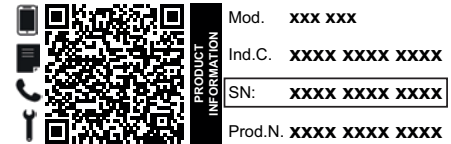
Za dobijanje podrške, pozovite broj prikazan na garantnoj knjižici, ili sledite instrukcije na veb stranici www.hotpoint.eu.

Prilikom kontaktiranja našeg postprodajnog servisa za kupce potrebno je da navedete:

- kratak opis kvara;
- tip i tačan model uređaja;



- serijski broj (broj iza reči SN na pločici sa podacima koja se nalazi ispod uređaja). Serijski broj je takođe naveden u dokumentaciji;



- svoju punu adresu;
- svoj broj telefona.

Ukoliko su potrebne bilo kakve popravke, obratite se ovlašćenom postprodajnom servisu (kako biste bili sigurni da će se koristiti originalni rezervni delovi i da će popravke biti izvedene na pravi način).

Smernice, standardna dokumentacija i dodatne informacije o proizvodu se mogu naći:

- Pomoću QR koda na uređaju;
- Na našem veb-sajtu docs.hotpoint.eu;
- Takođe, možete **kontaktirati naš postprodajni servis** (broj se nalazi u garantnoj knjižici). Prilikom kontaktiranja našeg postprodajnog servisa, navedite šifru koja se nalazi na pločici za identifikaciju proizvoda.



ИНСТРУКЦИИ ЗА БЕЗОПАСНОСТ

ВАЖНО Е ДА ГИ ПРОЧЕТЕТЕ И ДА ГИ СПАЗВАТЕ

Изтеглете пълното ръководство с инструкции от <http://docs.hotpoint.eu> или се обадете на номера, посочен на книжката за гаранцията.

Преди използването на уреда прочетете внимателно тези указания за безопасност. Дръжте ги на удобно място за бъдещи справки.

В тези указания и на самия уред са представени важни предупреждения за безопасността, които трябва да се прочетат и да се съблюдават винаги. Производителят отказва всякаква отговорност при неспазване на тези указания за безопасността, във връзка с неподходяща употреба на уреда или неправилна настройка на органите за управление.

⚠ ПРЕДУПРЕЖДЕНИЕ: Ако повърхността на плочата за готвене е напукана, не използвайте уреда - опасност от електрически удар.

⚠ ПРЕДУПРЕЖДЕНИЕ: Опасност от пожар: не поставяйте предмети по готварските повърхности.

⚠ ВНИМАНИЕ: Процесът на готвене трябва да се наблюдава. Краткотрайните процеси на готвене трябва да се наблюдават постоянно.

⚠ ПРЕДУПРЕЖДЕНИЕ: Готвенето на плочата на храни с мазнина или олио без наблюдение може да се окаже опасно и да доведе до пожар. НИКОГА не опитвайте да потушите пламъците с вода: вместо това изключете уреда и покрийте пламъка с капак или огнеупорно одеяло.

⚠ Не използвайте плочата като работен плот или поставка. Пазете дрехите и други запалими материали далеч от уреда, докато всички негови компоненти изстинат напълно - опасност от пожар.

⚠ Много малки деца (0-3 год.) трябва да стоят далеч от уреда. Малки деца (3-8 год.) трябва да стоят далеч от уреда, освен ако не са под постоянно наблюдение. Този уред може да се използва от деца на 8 години и по-големи, както и от лица с ограничени физически, сетивни или умствени възможности или с недостатъчен опит и познания само ако са под надзор или са им дадени инструкции за употребата на уреда побезопасенначиниразбиратвъзможнитеопасности. Децата не трябва да си играят с уреда. Почистването и поддръжката от потребителя не трябва да се извършва от деца без надзор.

⚠ ПРЕДУПРЕЖДЕНИЕ: Уредът и откритите му части се нагорещават по време на работа. Внимавайте да не докосвате нагревателните елементи. Децата под 8-годишна възраст трябва да се пазят далеч от уреда, ако не се наблюдават непрекъснато.

ПОЗВОЛЕНА УПОТРЕБА

⚠ ВНИМАНИЕ: уредът не е предназначен за управление с външен таймер или отделна система с дистанционно управление.

⚠ Този уред е предназначен за употреба в домашни условия и подобни приложения, като: кухни за

служители в магазини, офиси и други работни среди; в стопанства; от клиенти в хотели, мотели и други места за настаняване.

⚠ Не е позволено използване за никакви други цели (например за отопление на помещения).

⚠ Този уред не е предназначен за професионална употреба. Не използвайте този уред на открито.

МОНТИРАНЕ

⚠ Боравенето и монтажът на уреда трябва да се извършват от две или повече лица - съществува опасност от нараняване. Използвайте предпазни ръкавици за разопаковането и монтажа на уреда - съществува опасност от порязвания.

⚠ Монтирането, включително подаването на вода (ако е приложимо) и електрическото свързване и ремонтните дейности трябва да се извършват от квалифициран техник. Не поправяйте и не заменяйте части от уреда, ако това не е изрично посочено в ръководството за потребителя. Пазете децата далеч от мястото, където се извършва монтажът. След като разопаковате уреда, проверете дали не е повреден по време на транспортирането. В случай на проблеми се обърнете към търговеца, от който сте закупили уреда, или към най-близкия сервиз за следпродажбено обслужване. След монтажа всички отпадъци от опаковките (пластмаса, стиропор и др.) трябва да се съхраняват далеч от обсега на деца - съществува опасност от задушаване. Уредът трябва да бъде изключен от захранването преди монтажа - опасност от електрически удар. По време на монтажа внимавайте уредът да не повреди захранващия кабел - опасност от електрически удар. Активирайте уреда едва след завършване на монтажа.

⚠ Извършете всички работи по изрязването на шкафа, преди да поставите фурната в нишата, и след товаотстранетевсичкидървениотломкииостърготини.

⚠ Ако уредът не е монтиран над фурна, трябва да се постави разделителен панел (не е включен) в нишата под уреда.

ПРЕДУПРЕЖДЕНИЯ ОТНОСНО ЕЛЕКТРОЗАХРАНВАНЕТО

⚠ Трябва да е възможно уредът да се изключи от захранването чрез изваждане на щепсела, ако е достъпен, или чрез достъпен многополюсен превключвател, монтиран след контакта, както и уредът да е заземен в съответствие с националните стандарти за електрическа безопасност.

⚠ Не използвайте удължители, разклонители с няколко гнезда или адаптери. След инсталирането електрическите компоненти трябва да бъдат достъпни за потребителя. Не използвайте уреда, когато сте с мокри или боси крака. Не използвайте този уред, ако захранващият му кабел или щепсел е повреден, ако не работи правилно или ако е бил повреден или е паднал.

⚠ Инсталирането с използване на захранващ кабел с щепсел не се разрешава, освен ако уредът оригинално не е вече оборудван с такъв от производителя.


⚠ Ако захранващият кабел е повреден, той трябва да се смени от производителя, негов сервизен агент или лице с аналогична квалификация, за да се избегне опасна ситуация, например електрически удар.

ПОЧИСТВАНЕ И ПОДДРЪЖКА

⚠ **ПРЕДУПРЕЖДЕНИЕ:** Преди извършване на каквато и да било дейност по поддръжката на уреда, се уверете, че той е изключен и не е свързан към захранването; никога не използвайте уреди за почистване с пара - опасност от електрически удар.

⚠ Не използвайте абразивни или корозивни препарати, препарати на хлорна основа или стоманена вълна.

ИЗХВЪРЛЯНЕ НА ОПАКОВЪЧНИТЕ МАТЕРИАЛИ


Опаковъчният материал е 100% годен за рециклиране и е маркиран със символа за рециклиране .

Различните опаковъчни материали трябва да бъдат изхвърлени отговорно и в съответствие с наредбите на местните органи за изхвърляне на отпадъци.

ИЗХВЪРЛЯНЕ НА ЕЛЕКТРОУРЕДИ

Този уред е произведен с материали, годни за рециклиране или за повторно използване. При изхвърлянето му спазвайте местните разпоредби за изхвърляне на отпадъци. За допълнително информация относно третирането, оползотворяването и рециклирането на домакински електроуреди се обърнете към компетентните местни органи, службата за битови отпадъци или магазина, откъдето сте закупили уреда. Този уред е маркиран в съответствие с Европейска директива 2012/19/ЕС, Отпадъчно електрическо и електронно оборудване (WEEE) и с правилата за отпадъчно електрическо и електронно оборудване от 2013 г. (с измененията).

Като се погрижите продуктът да бъде изхвърлен по правилен начин, Вие ще помогнете за предотвратяване на възможните негативни последици за околната среда и здравето на хората.

Символът  върху уреда или придружаващата го документация показва, че този уред не трябва да се третира като битов отпадък, а да бъде предаден в съответния събирателен пункт, предназначен за рециклиране на електрическа и електронна апаратура.

СЪВЕТИ ЗА ИКОНОМИЯ НА ЕНЕРГИЯ

Възползвайте се максимално от остатъчната топлина на котлона, като я изключите няколко минути, преди да сте завършили готвенето.

Основата на Вашата тенджера или тиган трябва изцяло да покрива котлона; използването на съд, чиято площ е по-малка от тази на котлона, ще доведе до загуба на енергия.

По време на готвене покривайте тенджерите и тиганите с подходящи капаци и използвайте възможно най-малко вода. Готвенето без капак ще увеличи значително потреблението на енергия.

Използвайте само тенджери и тигани с плоско дъно.

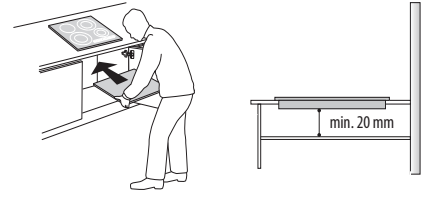
ДЕКЛАРАЦИЯ ЗА СЪОТВЕТСТВИЕ

Този уред отговаря на изискванията за екодизайн на Европейски регламент 66/2014 и Регламенти за екодизайн за енергийни продукти и енергийна информация (изменение) (ЕС изход) 2019, в съответствие с Европейски стандарт EN 60350-2.



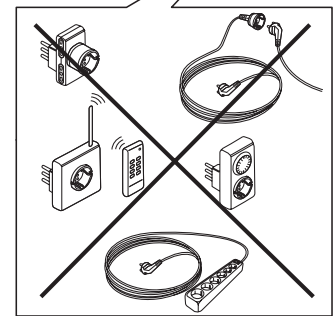
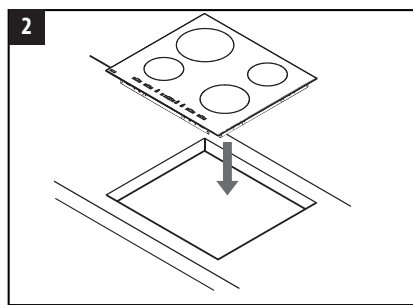
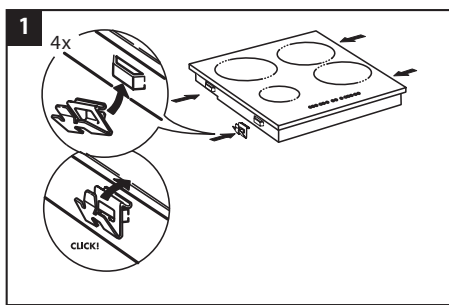
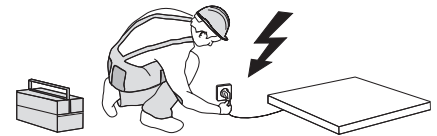
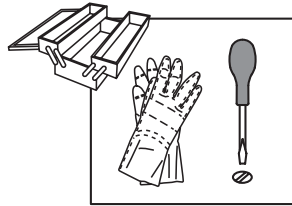
МОНТИРАНЕ

- Плотът за готвене трябва да бъде поставен в работен плот с дебелина най-малко 20 мм.
- В пространството между плота и кухнята не трябва да има нищо (напречни релси, носачи и др.).
- Уверете се, че захранващият кабел е достатъчно дълъг, за да позволи удобно инсталиране.
- Разстоянието между долната повърхност на стъклокерамичния плот и шкафа или разделящата плоскост трябва да бъде поне 20 мм.
- За размерите и монтажа на уреда за вграждане вижте изображението в този раздел.
- Между готварския плот и аспиратора над него трябва да се поддържа минимално разстояние. За допълнителна информация вижте ръководството за потребителя на аспиратора.
- След като сте почистили повърхността на плота, поставете доставения в комплекта уплътнител (освен ако той вече не е бил поставен).
- **Не монтирайте плот за готвене над съдомиялна или перална машина така, че електронните вериги да не влизат в контакт с пара или влага, които могат да ги повредят.**
- Ако фурна бъде монтирана под готварски плот, се уверете, че тя разполага със система за охлаждане. Ако температурата на електронните вериги превиши максимално допустимата температура, готварският плот ще се изключи автоматично; в този случай изчакайте няколко минути, докато вътрешната температура на електронните вериги достигне нормално ниво, като в този момент ще бъде възможно отново да включите плота.

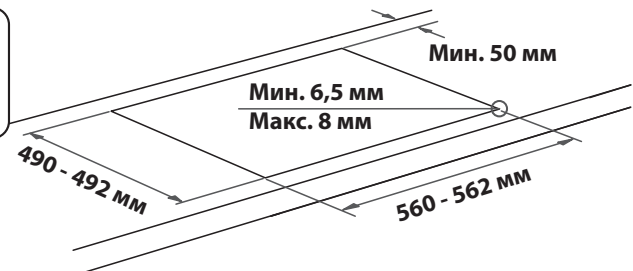
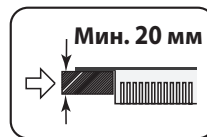
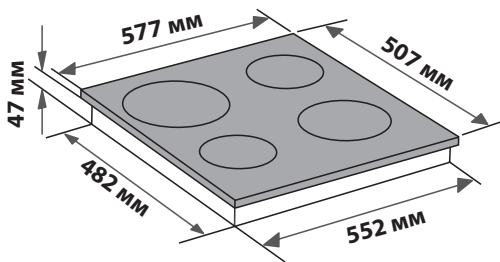
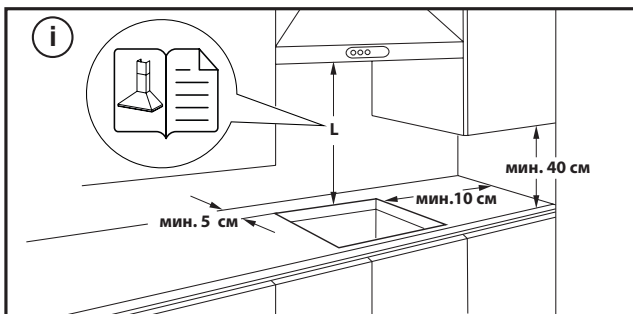


ПОСТАВЯНЕ НА ПЛОТА

След извършване на електрическите връзки (вижте глава "Свързване към електрическата мрежа"), поставете всяка от захващащите скоби на съответните места от страни на плота, както е показано на изображението. След това вкарайте плота на мястото му и се уверете, че стъклото е плоско и успоредно спрямо кухненския плот. Захващащите скоби са подходящи за всеки вид материал за кухненски плотове (дърво, мрамор и др.).



РАЗМЕРИ И РАЗСТОЯНИЯ, КОИТО ДА СЕ ПОДДЪРЖАТ



СВАЛЯНЕ НА КОТЛОНА (ПЛОТА):

За да свалите котлона, първо го изключете от електрическото захранване. Настоятелно се препоръчва да освободите долната част от фурната, чекмеджето, сепаратора или други части. Тя позволява на техника достъп до долната част на котлона, за да разкопчае четирите скоби с отвертка, да повдигне котлона и да го свали, без да го повреди.

СВЪРЗВАНЕ КЪМ ЕЛЕКТРИЧЕСКАТА МРЕЖА

Електрическите свързвания трябва да се извършат преди свързването на уреда към електрическата мрежа.

Захранващият кабел не е включен в пакета - не забравяйте да подготвите свой собствен захранващ кабел.

Монтирането трябва да се извърши от квалифициран персонал, запознат с текущите нормативни разпоредби относно безопасността и монтирането. Особено важно е монтажът да се извърши в съответствие с наредбите на местната електроснабдителна компания.

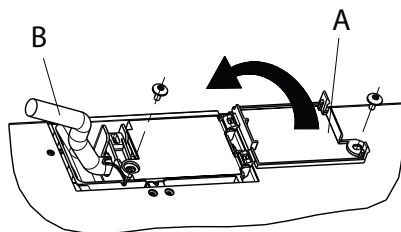
Уверете се, че напрежението, указано на табелката с номиналните данни, намираща се в долната част на уреда, е същото като това в дома Ви.

Заземяването на уреда е задължително по закон: използвайте проводници (включително заземяващия проводник) само с подходящ размер.

СВЪРЗВАНЕ КЪМ КЛЕМНИЯ БЛОК

За свързване към електрическата мрежа използвайте кабел тип H05RR-F или H05V2V2-F, както е посочено в таблицата по-долу.

ЗАХРАНВАЩО НАПРЕЖЕНИЕ	ПРОВОДНИЦИ БРОЙ x РАЗМЕР
220-240V ~+ 	3 x 4 мм ²
230-240V ~+ 	3 x 4 мм ² (само за Австралия)
220-240V 3~+ 	4 x 1,5 мм ²
380-415V 3N~+ 	5 x 1,5 мм ²
380-425V 2N~+ 	4 x 1,5 мм ²



Свържете уреда към електрозахранването посредством прекъсвач за всички полюси с минимална междина на контактите 3 mm.

ВНИМАНИЕ: захранващият кабел трябва да бъде достатъчно дълъг, за да може готварският плот да се извади от кухненския плот, и трябва да се постави така, че да се избегне повреждането или нагряването му при влизане в контакт с основата.

ЗАБЕЛЕЖКА: жълтият/зеленият заземяващ проводник трябва да бъде свързан към клемата със символ  и трябва да бъде по-дълъг от останалите проводници.

- Отстранете около 70 mm от обвивката на захранващия кабел (B).
- Отстранете около 10 mm от обвивката от проводниците. Вкарайте захранващия кабел в кабелната скоба и свържете проводниците към клемното табло, както е показано на схемата до самото клемно табло.
- Обезопасете захранващия кабел (B) със скобата за кабела.
- Затворете капака на клемното табло (A) и го обезопасете с предоставения винт.
- След извършване на електрическите връзки поставете плота за готвене отгоре и го окачете на опорните пружини, както е показано на илюстрацията.

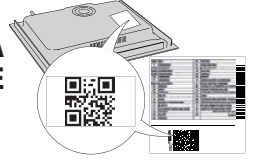


БЛАГОДАРИМ ВИ, ЧЕ ЗАКУПИХТЕ ПРОДУКТ НА WHIRLPOOL
За да получавате по-пълно съдействие, моля, регистрирайте
вашия продукт на www.hotpoint.eu/register.

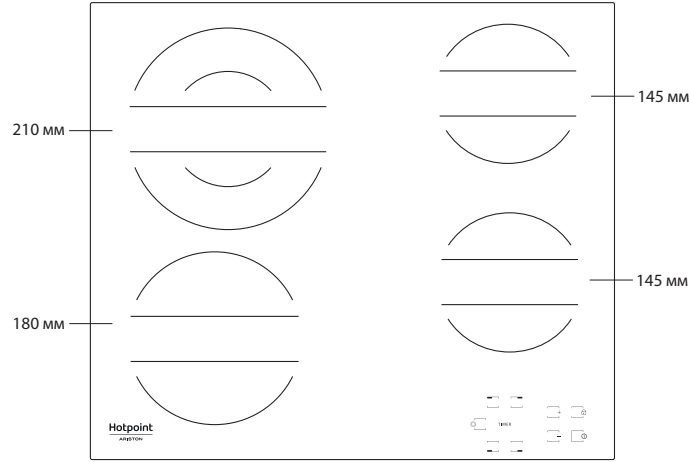


**Преди да използвате уреда, прочетете внимателно
инструкциите за безопасност.**

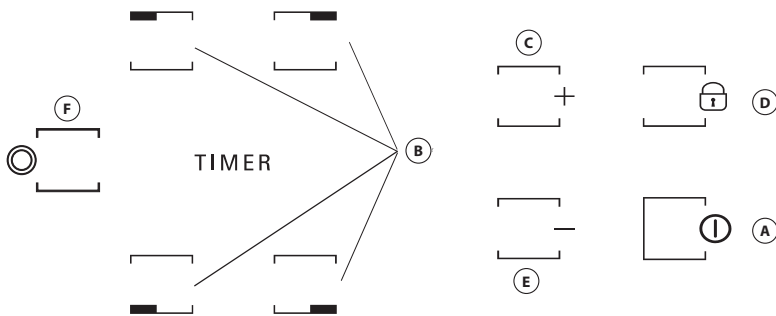
**МОЛЯ, СКАНИРАЙТЕ QR КОДА НА
ВАШИЯ УРЕД, ЗА ДА ПОЛУЧИТЕ
ПОВЕЧЕ ИНФОРМАЦИЯ**



ОПИСАНИЕ НА ИЗДЕЛИЕТО



ПАНЕЛ ЗА УПРАВЛЕНИЕ



- A** Включване/изключване
- B** Избор на зони за готвене и таймер
- C-E** Увеличаване и намаляване нивото на мощността
- D** Заклучване на бутоните
- F** Избор/Отмяна на избор на мулти зона

ИЗПОЛЗВАНЕ ЗА ПРЪВ ПЪТ

При монтиране за първи път контролният панел извършва функционален тест за около 1 секунда, след който автоматично се включва функцията "Заклучване на бутоните".

За да деактивирате функцията, натиснете и задръжте бутона "D"; ще

прозвучи звуков сигнал и съответната светодиодна лампичка ще се изключи.

ЗАБЕЛЕЖКА: В случай на пренастройване повторете процедурата, описана по-горе.

ВСЕКИДНЕВНА УПОТРЕБА

ВКЛЮЧВАНЕ/ИЗКЛЮЧВАНЕ НА ПЛОЧАТА ЗА ГОТВЕНЕ

За да включите плочата за готвене, задръжте натиснат бутона "A" за около 2 секунди. На дисплеите на 4-те зони за готвене се показва "0". Ако в рамките на 20 секунди не се активира никоя от зоните за готвене, плочата за готвене се изключва автоматично като предпазна мярка.

АКТИВИРАНЕ И РЕГУЛИРАНЕ НА ЗОНИТЕ НА ГОТВЕНЕ

Натиснете един от бутоните "B", съответстващ на зоната за готвене, която възнамерявате да използвате. Изберете необходимата настройка на топлината с бутоните "E" или "C". Другите избираеми настройки за готвене са в диапазона от 1 до 9. Натиснете едновременно бутоните "+/-" за отмяна на всички настройки.

ВАЖНО: контролата се деактивира 10 секунди след избиране на настройката за топлината.

За да промените настройката за топлината, първо натиснете отново бутона за избиране "B", след което продължете с промяната на настройката, като използвате бутоните "E" или "C".

МНОЖЕСТВЕНА ЗОНА

След като изберете необходимата зона и зададете нивото (както е описано в предходния раздел), натиснете "F": индикатор над бутона се включва, активирайки допълнителната зона.

Множествената зона може да се използва само ако:

- Зоната за готвене разполага с множествена зона;
- Избраното ниво на мощност е по-голямо от 0.

За да деактивирате множествената зона, натиснете бутона "B" на избраната зона, след което натиснете отново "F".

ТАЙМЕР

За да зададете функцията за таймера, изберете необходимата зона за готвене и настройката на мощността, след което натиснете отново бутона на зоната за готвене и на дисплея на контролираната с таймера зона ще се покаже светеща точка. На 2-та дисплея премигва "00". Натиснете бутоните "C" или "E", за да зададете времето от 1 до 99.

ВАЖНО: след 10 секунди на дисплея на таймера ще се покаже настройката на мощността на другите зони за готвене.

За да видите оставащото време на готвене, натиснете двукратно бутона на контролираната с таймера зона за готвене.

ФУНКЦИЯ "А"

Тази функция позволява автоматично намаляване на нивото на мощност на зоната за готвене от най-високата стойност (ниво 9) до избраната от потребителя за по-късен етап на готвене.

За да активирате тази функция, първо натиснете бутона "+", когато достигнете ниво 9.

Дисплеят показва "А" и "9" мига последователно с ниска яркост.

В този момент изберете желаното ниво на мощност (по-малко от 9) с бутона "-". "А" и избраното ниво мигат последователно с ниска яркост на дисплея.

Функцията се активира, след като "А" и избраното ниво започнат да мигат последователно с висока яркост на дисплея.

След като "А" вече не се вижда на дисплея (функцията "А" се изключва автоматично след няколко минути в зависимост от зададеното ниво на мощност), процесът на готвене продължава с по-ниска мощност и дисплеят показва само избраното ниво на мощност.

ВНИМАНИЕ: тази функция не е възможна при ниво 9.



ЗАКЛЮЧВАНЕ НА БУТОНИТЕ

Функцията Закл. на бутоните се включва чрез натискане и задържане на бутона "D", докато над бутона на функцията светне точка. Панелът за управление е заключен, с изключение на функцията за изключване. Функцията остава включена дори след изключване и повторно включване на плочата за готвене и може да се деактивира, като се натисне отново бутонът "D", докато точката над бутона на функцията изгасне.

Когато плочът е изключен сактивирано заключване на бутоните, за да включите плочата, първо деактивирайте функцията за заключване на бутоните, като натиснете отново бутон "D", докато изгасне точката над функционалния бутон.

Наличието на вода, течност, разлята от тенджери или други предмети, които лежат върху органите за управление, може случайно да активира или дезактивира заключването на бутоните.

ТАБЛИЦА ЗА ГОТВЕНЕ

НИВО НА МОЩНОСТТА		ВИД ГОТВЕНЕ	НИВО НА ИЗПОЛЗВАНЕ (индикация за подпомагане на опита и навиците при готвене)
Максимална мощност	9	Завиране	Подходящо за бързо увеличаване на температурата на храните за бързо завиране, ако се касае за вода, или бързо загряване на течности за готвене.
	9 – 8	Изсушаване	Идеално за запичане, започване на готвене, пържене на замразени продукти, бързо кипване.
Висока мощност	8 – 7	Запичане – поддържане на варенето - печене	Идеално за запичане, поддържане на високо ниво на варене, готвене и печене (кратковременно, 5-10 минути).
	7 – 6	Пържене – готвене – печене	Идеално за поддържане на ниско ниво на варене, готвене и печене (със средна продължителност, 10-20 минути), предварително загряване и пържене.
Средна мощност	6 – 5	Леко пържене	Идеално за пържене на яйца, омлети.
	5 – 4	Готвене – изсушаване – задушаване	Идеално за продължително готвене (ориз, сосове, печено, риба) с наличие на течности (напр. вода, вино, бульон, мляко), размесване на макаронени изделия.
	4 – 3	Сгъстяване - размесване на макаронени изделия	
Ниска мощност	2 – 1	Поддържане на храната гореща – размесване на ризото	Идеално за поддържане на току-що приготвена храна гореща (например сосове, супи, минестроне), размесване на ризото и поддържане на ястията за поднасяне топли.
Минимална мощност	1	Размразяване	Идеално за размразяване на продукти с малки размери и леко разтопяване на шоколад или краве масло.
Мощност нула	0	–	Готварският плот е в режим на готовност или е изключен (възможно е да е горещ след готвене, за което сигнализира символът "H").



ИНДИКАТОР ЗА ОСТАТЪЧНА ТОПЛИН

Когато зоната за готвене се изключи, индикаторът за остатъчна топлина "H" остава включен или премигва, редувайки се с "0", докато температурата на плочата за готвене се върне в рамките на безопасните нива.

ВАЖНО: Характеристиките за безопасност на плочата за готвене включват функция за автоматично изключване. Продължителното използване на същата настройка за топлина задейства автоматично изключване на зоната за готвене (например след около 1 час при максималната настройка на топлината зоната за готвене се изключва).

ВАЖНО: За да избегнете необратими повреди на плота:

- използвайте само съдове с плоски дъна;
- не използвайте метални съдове с емайлирани дъна;
- не поставяйте горещи тенджери или тигани над контролния панел.

Котлонът е оборудван и с функцията "auto shut off" (автоматично изключване), която изключва зоната за готвене, ако не се направи промяна на нивото на мощност след определен период от време в зависимост от самата настройка на мощността. В таблицата е дадено времетраенето за всяко ниво на мощност.

НИВО НА МОЩНОСТ	ВРЕМЕ ЗА АВТОМАТИЧНО ИЗКЛЮЧВАНЕ
0	30 секунди
1	10 часа
2	5 часа
3	5 часа
4	4 часа
5	3 часа
6	2 часа
7	2 часа
8	2 часа
9	1 час

ПОЧИСТВАНЕ И ПОДДРЪЖКА

⚠ Изключете уреда от електрозахранването.

- Не използвайте уреди за почистване с пара.
- Не използвайте абразивни гъби или тел, тъй като може да повредите стъклото.
- След всяко използване почиствайте готварския плот (когато изстине), за да отстраните остатъците и петната, дължащи се на останки от храни.
- Захар или храни с високо съдържание на захар могат да повредят

готварския плот и трябва да се отстраняват незабавно.

- Солта, захарта и пясъкът могат да надраскат стъклената повърхност.
- Използвайте мека кърпа, попиваща кухненска салфетка или специален почистващ препарат за готварски плотове (спазвайте инструкциите на производителя).
- При разливане на течност върху нагревателна зона съдовете може да започнат да се преместват или да вибрират.
- Подсушавайте добре повърхността на плота след почистването ѝ.

ОТСТРАНЯВАНЕ НА НЕИЗПРАВНОСТИ

Ако готварският плот не работи като трябва, преди да повънните на отдела за следпродажбено сервизно обслужване, вижте ръководството за отстраняване на неизправности, за да установите проблема.

- Прочетете и следвайте инструкциите, дадени в раздел "Всекидневна употреба".
- Проверете дали има напрежение в електрическата мрежа.
- Подсушете ли плочата след почистването ѝ.
- Ако е избрана зона за готвене и на дисплея се появи "F" или "ER", последвано от число, се свържете със сервиза за следпродажбено обслужване и ги информирайте.
- Ако кодът за грешка е "F03", "ER03" или "E02", се опитайте да решите проблема, като използвате следните указания:
 - Ако се появи грешка "E02", моля, уверете се, че не сте натискали бутоните за повече от 5 секунди, няма предмет в областта на панела за управление и че той е чист и сух – когато почиствате, моля, следвайте указанията в параграфа за почистване и поддръжка.
 - Ако се появи грешка "F03", се опитайте да изключите и отново да включите котлона.
 - Ако се появи грешка "F04", се свържете със сервиза за следпродажбено обслужване и ги информирайте кой код се е появил на дисплея.

- Ако плочата за готвене не работи след интензивно използване, то вътрешната температура на плочата е твърде висока. Изчакайте няколко минути, докато плочата за готвене се охлади.
- Ако нагревателят не е включен непрекъснато, а се включва и изключва циклично, дори ако на дисплея нивото на мощността не се променя, това е част от нормалното функциониране на плота. Цикълът на включване/изключване позволява регулиране на мощността на нагревателя и е напълно нормален. В някои случаи термичната защита може да изключи нагревателя за известно време, за да се избегне повреждане на стъклото. Примери за такива случаи са: готвене дълго време на висока мощност, като използвате тенджери, по-малки от нагревателния елемент, както и тенджери с неплоско дъно.
- Ако плотът издава кратък звук, без клиентът да натиска бутони, моля, внимавайте за разливане на течност върху панела за управление. Моля, подсушете панела за управление и продължете използването на котлона. Ако плотът е изключен автоматично, това може да се дължи на наличие на течност в панела за управление. Моля, подсушете панела за управление и включете котлона отново.

Ако след извършване на горепосочените проверки неизправността все още продължава, свържете се с най-близкия отдел за следпродажбено обслужване.

СЛЕДПРОДАЖБЕНО ОБСЛУЖВАНЕ

За да получавате по-пълно съдействие, регистрирайте Вашия уред на www.hotpoint.eu/register.

ПРЕДИ ДА СЕ ОБАДИТЕ НА ОТДЕЛА ЗА СЛЕДПРОДАЖБЕНО ОБСЛУЖВАНЕ:

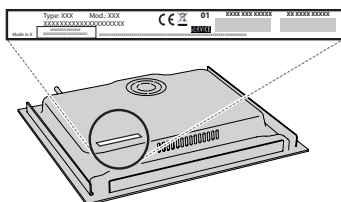
1. Проверете дали можете да отстраните сами проблема с помощта на предложенията, дадени в раздела **ОТСТРАНЯВАНЕ НА НЕИЗПРАВНОСТИ**.
2. Изключете уреда и го включете отново, за да проверите дали неизправността е отстранена.

АКО СЛЕД ИЗВЪРШВАНЕ НА ГОРЕПОСОЧЕНИТЕ ПРОВЕРКИ НЕИЗПРАВНОСТТА ВСЕ ОЩЕ НЕ Е ОТСТРАНЕНА, СВЪРЖЕТЕ СЕ С НАЙ-БЛИЗКИЯ ОТДЕЛ ЗА СЛЕДПРОДАЖБЕНО ОБСЛУЖВАНЕ.

За да получите съдействие, се обадете на номера, написан на книжката за гаранция, или следвайте инструкциите на уебсайта www.hotpoint.eu.

Когато се свържете с отдела за следпродажбено обслужване, винаги посочвайте:

- кратко описание на неизправността;
- точния тип и модел на уреда;



- сериен номер (номерът след думата SN на табелката с номинални данни, разположена под уреда). Сериеният номер е посочен също и в документацията;



- Вашия пълен адрес;
- Вашия телефонен номер.

Ако се налагат някакви поправки, моля, свържете се с оторизиран отдел за следпродажбено обслужване (за да бъдете сигурни, че ще бъдат използвани оригинални резервни части и поправките ще бъдат извършени правилно).

Фирмените политики, стандартната документация и допълнителна информация за уреда можете да намерите, като:

- Използвайте QR кода на вашето устройство;
- Посетите нашия уебсайт docs.hotpoint.eu;
- Или като се свържете с отдела за следпродажбено обслужване (вижте телефонния номер в гаранционната книжка). При контакт с отдела за следпродажбено обслужване съобщавайте кодовете, посочени на идентификационната табелка на вашия уред.



ΟΔΗΓΙΕΣ ΓΙΑ ΤΗΝ ΑΣΦΑΛΕΙΑ

ΣΗΜΑΝΤΙΚΟ! ΔΙΑΒΑΣΤΕ ΚΑΙ ΤΗΡΕΙΤΕ

Κατεβάστε το πλήρες εγχειρίδιο οδηγιών από την ιστοσελίδα <http://docs.hotpoint.eu> ή καλέστε τον αριθμό που υπάρχει στο βιβλιαράκι εγγύησης.

Πριν χρησιμοποιήσετε τη συσκευή, διαβάστε αυτές τις οδηγίες για την ασφάλεια. Φυλάξτε τις οδηγίες σε κοντινό σημείο για μελλοντική αναφορά.

Αυτές οι οδηγίες και η συσκευή περιλαμβάνουν σημαντικές προειδοποιήσεις σχετικά με την ασφάλεια, τις οποίες πρέπει να τηρείτε σε κάθε περίπτωση. Ο κατασκευαστής δεν φέρει καμία ευθύνη για τη μη τήρηση αυτών των οδηγιών ασφαλείας, για ακατάλληλη χρήση της συσκευής ή λανθασμένη ρύθμιση των χειριστηρίων.

Δ ΠΡΟΕΙΔΟΠΟΙΗΣΗ: Αν η επιφάνεια της εστίας είναι ραγισμένη, μην χρησιμοποιείτε τη συσκευή - κίνδυνος ηλεκτροπληξίας.

Δ ΠΡΟΕΙΔΟΠΟΙΗΣΗ: Κίνδυνος πυρκαγιάς: μην αποθηκεύετε στοιχεία στις επιφάνειες μαγειρέματος.

Δ ΠΡΟΣΟΧΗ: Η διαδικασία μαγειρέματος πρέπει να παρακολουθείται. Μια σύντομη διαδικασία μαγειρέματος πρέπει να παρακολουθείται συνεχώς.

Δ ΠΡΟΕΙΔΟΠΟΙΗΣΗ: Είναι επικίνδυνο να μαγειρεύετε με λίπη ή λάδι σε εστία χωρίς επιτήρηση - κίνδυνος πυρκαγιάς. ΠΟΤΕ μην προσπαθείτε να σβήσετε τη φωτιά με νερό: αντίθετα, σβήστε τη συσκευή και στη συνέχεια καλύψτε τις φλόγες π.χ. με ένα καπάκι ή με μια πυρίμαχη κουβέρτα.

Δ Μην χρησιμοποιείτε τη μονάδα εστιών ως επιφάνεια εργασίας. Διατηρείται τα ρούχα ή άλλα εύφλεκτα υλικά μακριά από τη συσκευή, έως ότου όλα τα εξαρτήματα να έχουν κρυώσει εντελώς - κίνδυνος πυρκαγιάς.

Δ Κρατήστε τα μικρά παιδιά (0-3 ετών) μακριά από τη συσκευή. Κρατήστε τα μικρά παιδιά (3-8 ετών) μακριά από τη συσκευή εκτός εάν επιτηρούνται διαρκώς. Η συσκευή μπορεί να χρησιμοποιηθεί από παιδιά ηλικίας 8 ετών και άνω ή άτομα με μειωμένες σωματικές, αισθητηριακές ή διανοητικές ικανότητες ή με έλλειψη εμπειρίας και γνώσης της συσκευής, εφόσον βρίσκονται υπό επιτήρηση ή έχουν λάβει οδηγίες σχετικά με την ασφαλή χρήση της συσκευής και κατανοούν τους κινδύνους που συνεπάγεται. Τα παιδιά απαγορεύεται να παίζουν με τη συσκευή. Εργασίες καθαρισμού και συντήρησης του χρήστη δεν πρέπει να εκτελούνται από παιδιά χωρίς επιτήρηση.

Δ ΠΡΟΕΙΔΟΠΟΙΗΣΗ: Η συσκευή και τα προσβάσιμα εξαρτήματά της μπορεί να ζεσταθούν κατά τη διάρκεια της χρήσης. Πρέπει να είστε προσεκτικοί, ώστε να αποφεύγετε τυχόν επαφή με τις αντιστάσεις. Τα παιδιά κάτω των 8 ετών δεν πρέπει να πλησιάζουν τη συσκευή, εκτός εάν επιτηρούνται διαρκώς.

ΕΠΙΤΡΕΠΟΜΕΝΗ ΧΡΗΣΗ

Δ ΠΡΟΣΟΧΗ: Η συσκευή δεν προορίζεται για χρήση σε συνδυασμό με εξωτερικό χρονοδιακόπτη ή ξεχωριστό σύστημα απομακρυσμένου ελέγχου.

Δ Η συσκευή αυτή έχει σχεδιαστεί για οικιακή χρήση καθώς και για παρόμοιες χρήσεις όπως: κουζίνες προσωπικού σε καταστήματα, γραφεία και άλλους χώρους εργασίας, αγροκτήματα, από πελάτες σε ξενοδοχεία, μοτέλ, bed & breakfast και άλλους χώρους κατοικίας.

Δ Απαγορεύεται οποιαδήποτε άλλη χρήση (π.χ. θέρμανση δωματίων).

Δ Αυτή η συσκευή δεν προορίζεται για επαγγελματική χρήση. Μην χρησιμοποιείτε τη συσκευή σε εξωτερικό χώρο.

ΕΓΚΑΤΑΣΤΑΣΗ

Δ Ο χειρισμός και η εγκατάσταση της συσκευής πρέπει να γίνονται από δύο ή περισσότερα άτομα - κίνδυνος τραυματισμού. Χρησιμοποιείτε γάντια προστασίας για να αφαιρέσετε τη συσκευασία και να κάνετε την εγκατάσταση - κίνδυνος κοψίματος.

Δ Η εγκατάσταση, συμπεριλαμβανομένης της παροχής νερού (εάν υπάρχει), τις ηλεκτρικές συνδέσεις και τις επισκευές, πρέπει να πραγματοποιούνται από τεχνικά εξειδικευμένο προσωπικό. Μην επισκευάζετε και μην αντικαθιστάτε κανένα εξάρτημα της συσκευής, εκτός εάν αναφέρεται ρητά στο εγχειρίδιο χρήσης. Κρατήστε τα παιδιά μακριά από το χώρο εγκατάστασης. Μετά από την αποσυσκευασία της συσκευής, βεβαιωθείτε ότι δεν έχει προκληθεί ζημιά σε αυτήν κατά τη μεταφορά. Εάν παρουσιαστεί κάποιο πρόβλημα, επικοινωνήστε με τον αντιπρόσωπο ή με το πλησιέστερο Κέντρο Τεχνικής Υποστήριξης. Μετά την εγκατάσταση, τα υλικά συσκευασίας (πλαστικά, φελιζόλ, κ.λπ.) πρέπει να φυλάσσονται μακριά από τα παιδιά - κίνδυνος ασφυξίας. Η συσκευή πρέπει να αποσυνδέεται από την ηλεκτρική τροφοδοσία πριν από κάθε εργασία εγκατάστασης - κίνδυνος ηλεκτροπληξίας. Κατά την εγκατάσταση, βεβαιωθείτε ότι δεν έχει προκληθεί ζημιά στο καλώδιο τροφοδοσίας από τη συσκευή - κίνδυνος πυρκαγιάς ή ηλεκτροπληξίας. Ενεργοποιήστε τη συσκευή μόνο εφόσον ολοκληρωθεί η εγκατάσταση.

Δ Εκτελέστε όλες τις εργασίες κοπής πριν τοποθετήσετε το φούρνο στο έπιπλο και αφαιρέστε όλα τα ροκανίδια και τα πριονίδια.

Δ Αν η συσκευή δεν εγκατασταθεί πάνω σε ένα φούρνο, πρέπει να τοποθετηθεί ένα διαχωριστικό πάνελ (δεν περιλαμβάνεται) στο χώρο κάτω από τη συσκευή.

ΗΛΕΚΤΡΙΚΕΣ ΠΡΟΕΙΔΟΠΟΙΗΣΕΙΣ

Δ Πρέπει να είναι δυνατή η αποσύνδεση της συσκευής από την ηλεκτρική τροφοδοσία με αφαίρεση του φics εάν η πρίζα είναι προσβάσιμη ή με χρήση του πολυπολικού διακόπτη που έχει εγκατασταθεί πριν από την πρίζα σύμφωνα με τα εθνικά πρότυπα ηλεκτρικής ασφαλείας και η συσκευή πρέπει να διαθέτει γείωση με βάση τα εθνικά πρότυπα ασφαλείας.

⚠ Μην χρησιμοποιείτε καλώδια προέκτασης (μπαλαντέζες), πολύπριζα ή προσαρμογείς. Μετά την ολοκλήρωση της εγκατάστασης, δεν πρέπει να είναι δυνατή η πρόσβαση στα ηλεκτρικά εξαρτήματα. Μην χρησιμοποιείτε τη συσκευή όταν είστε βρεγμένος ή με γυμνά πόδια. Μην χρησιμοποιήσετε τη συσκευή εάν έχει φθαρεί το ηλεκτρικό καλώδιο ή το φις, εάν δεν λειτουργεί κανονικά, εάν έχει πέσει ή εάν έχει υποστεί άλλη ζημιά.

⚠ Δεν επιτρέπεται η εγκατάσταση με βύσμα καλωδίου τροφοδοσίας, εκτός εάν το προϊόν είναι ήδη εξοπλισμένο με αυτό που παρέχεται από τον Κατασκευαστή.


⚠ Εάν το καλώδιο τροφοδοσίας έχει υποστεί ζημιά, πρέπει να αντικατασταθεί από τον κατασκευαστή, τον αντιπρόσωπο τεχνικής υποστήριξης ή άλλα καταρτισμένα άτομα, ώστε να αποφευχθούν τυχόν κίνδυνοι - κίνδυνος ηλεκτροπληξίας.

ΣΥΝΤΗΡΗΣΗ ΚΑΙ ΚΑΘΑΡΙΣΜΟΣ

⚠ ΠΡΟΕΙΔΟΠΟΙΗΣΗ: Πριν από οποιαδήποτε εργασία συντήρησης, βεβαιωθείτε ότι η συσκευή είναι σβηστή και αποσυνδεδεμένη από το δίκτυο τροφοδοσίας. Ποτέ μην χρησιμοποιείτε συσκευές καθαρισμού με ατμό - κίνδυνος ηλεκτροπληξίας.

⚠ Μην χρησιμοποιείτε αποξεστικά ή διαβρωτικά προϊόντα, καθαριστικά με βάση τη χλωρίνη ή συρμάτινα σφουγγαράκια.

ΑΠΟΡΡΙΨΗ ΥΛΙΚΩΝ ΣΥΣΚΕΥΑΣΙΑΣ


Τα υλικά της συσκευασίας είναι 100% ανακυκλώσιμα και φέρουν το σύμβολο της ανακύκλωσης .

Συνεπώς, τα διάφορα υλικά συσκευασίας πρέπει να απορρίπτονται υπεύθυνα και με πλήρη συμμόρφωση των κανονισμών των τοπικών αρχών που διέπουν την απόρριψη απορριμμάτων.

ΑΠΟΡΡΙΨΗ ΗΛΕΚΤΡΙΚΩΝ ΟΙΚΙΑΚΩΝ ΣΥΣΚΕΥΩΝ

Η συσκευή αυτή έχει κατασκευαστεί από ανακυκλώσιμα ή επαναχρησιμοποιήσιμα υλικά. Απορρίψτε σύμφωνα με τους τοπικούς κανονισμούς περί απόρριψης των απορριμμάτων. Για περαιτέρω πληροφορίες σχετικά με την επεξεργασία, την ανάκτηση και την ανακύκλωση των ηλεκτρικών οικιακών συσκευών, επικοινωνήστε με τις αρμόδιες τοπικές αρχές, την υπηρεσία συλλογής οικιακών αποβλήτων ή το κατάστημα από όπου αγοράσατε αυτό το προϊόν. Αυτή η συσκευή επισημαίνεται σύμφωνα με την Ευρωπαϊκή Οδηγία 2012/19/ΕΕ, Απόβλητα Ηλεκτρικού και Ηλεκτρονικού Εξοπλισμού (ΑΗΗΕ) και με τους κανονισμούς 2013 για τα Απόβλητα Ηλεκτρικού και Ηλεκτρονικού Εξοπλισμού (όπως τροποποιήθηκε).

Εξασφαλίζοντας τη σωστή απόρριψη αυτού του προϊόντος, θα βοηθήσετε στην αποτροπή των πιθανά βλαβερών συνεπειών για το περιβάλλον και την ανθρώπινη υγεία.

Το σύμβολο  στο προϊόν ή στα συνοδευτικά έντυπα υποδεικνύει ότι πρέπει να αντιμετωπίζεται ως οικιακό απόρριμμα αλλά πρέπει να μεταφέρετε στο κατάλληλο κέντρο συλλογής για ανακύκλωση ηλεκτρονικού και ηλεκτρικού εξοπλισμού.

ΣΥΜΒΟΥΛΕΣ ΓΙΑ ΕΞΟΙΚΟΝΟΜΗΣΗ ΕΝΕΡΓΕΙΑΣ

Αξιοποιήστε στο έπακρο την υπολειπόμενη θερμότητα της ζεστής εστίας σβήνοντάς την μερικά λεπτά πριν ολοκληρωθεί το μαγείρεμα.

Η βάση της κατσαρόλας ή του τηγανιού πρέπει να καλύπτει εντελώς τη ζεστή εστία. Ένα μικρότερο δοχείο από την εστία προκαλεί άσκοπη απώλεια ενέργειας.

Σκεπάζετε τις κατσαρόλες και τα τηγάνια σας κατά το μαγείρεμα με καπάκια σφιχτής εφαρμογής και χρησιμοποιείτε όσο λιγότερο νερό μπορείτε. Το μαγείρεμα χωρίς καπάκι αυξάνει σε μεγάλο βαθμό την κατανάλωση ενέργειας. **Χρησιμοποιείτε μόνο κατσαρόλες και τηγάνια με επίπεδη βάση.**

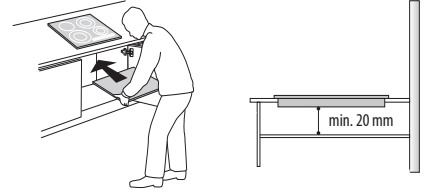
ΔΗΛΩΣΗ ΣΥΜΜΟΡΦΩΣΗΣ

Η συσκευή αυτή πληροί τις απαιτήσεις οικολογικού σχεδιασμού του Ευρωπαϊκού κανονισμού 66/2014 και τον οικολογικό σχεδιασμό για σχετικά με την ενέργεια προϊόντα και ενεργειακές πληροφορίες (Τροποποίηση) (ΕΕ Exit) Κανονισμοί 2019, σύμφωνα με το Ευρωπαϊκό πρότυπο EN 60350-2.



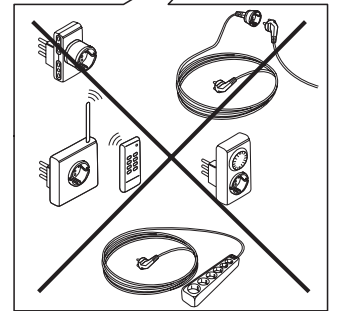
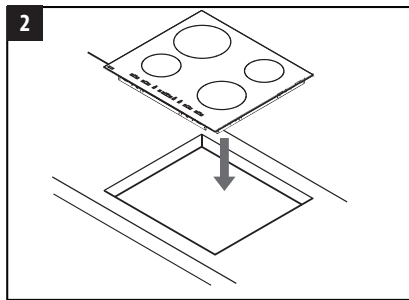
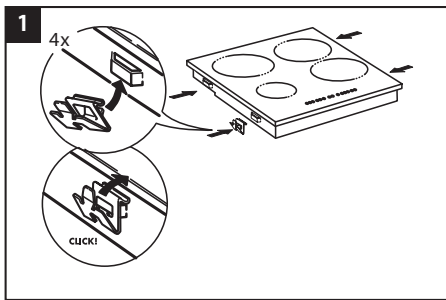
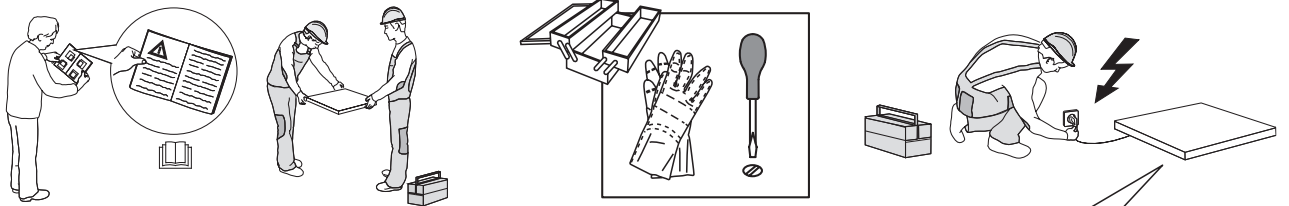
ΕΓΚΑΤΑΣΤΑΣΗ

- Η εστία πρέπει να τοποθετηθεί σε πάγκο βάθους τουλάχιστον 20 mm.
- Δεν πρέπει να υπάρχει τίποτα ανάμεσα στην επιφάνεια ψησίματος και του φούρνου (διασταυρωμένες ράγες, βραχίονες κ.λπ.).
- Βεβαιωθείτε ότι το καλώδιο τροφοδοσίας είναι αρκετά μακρύ για εύκολη εγκατάσταση.
- Η απόσταση μεταξύ της κάτω επιφάνειας της γυάλινης κεραμικής εστίας και του ντουλαπιού ή το διαχωριστικό πάνελ πρέπει να είναι τουλάχιστον 20 mm.
- Για τις διαστάσεις ενσωμάτωσης και την εγκατάσταση, δείτε την εικόνα στην παρούσα παράγραφο.
- Πρέπει να διατηρείται μια ελάχιστη απόσταση μεταξύ της εστίας και του απορροφητήρα που βρίσκεται από πάνω. Ανατρέξτε στο εγχειρίδιο χρήσης του απορροφητήρα για περισσότερες πληροφορίες.
- Εφαρμόστε το παρεχόμενο παρεμβύσμα στην μονάδα εστιών (εκτός εάν έχει ήδη τοποθετηθεί), αφού καθαρίσετε την επιφάνεια.
- **Μην τοποθετείτε την μονάδα εστιών κοντά σε πλυντήριο πιάτων ή στο πλυντήριο ρούχων, έτσι ώστε τα ηλεκτρονικά κυκλώματα να μην έρχονται σε επαφή με ατμό ή υγρασία, κάτι που θα μπορούσε να προκαλέσει ζημιά σε αυτά.**
- Αν ένας φούρνος είναι εγκατεστημένος κάτω από την μονάδα εστιών, βεβαιωθείτε ότι είναι εξοπλισμένος με σύστημα ψύξης. Εάν η θερμοκρασία των ηλεκτρονικών κυκλωμάτων υπερβαίνει τη μέγιστη επιτρεπόμενη θερμοκρασία, η μονάδα εστιών θα απενεργοποιηθεί αυτόματα. Σε αυτή την περίπτωση, περιμένετε λίγα λεπτά έως ότου η εσωτερική θερμοκρασία των ηλεκτρονικών κυκλωμάτων να φτάσει σε ένα αποδεκτό επίπεδο, στο οποίο θα είναι δυνατό να ανάψετε ξανά τη μονάδα εστιών.

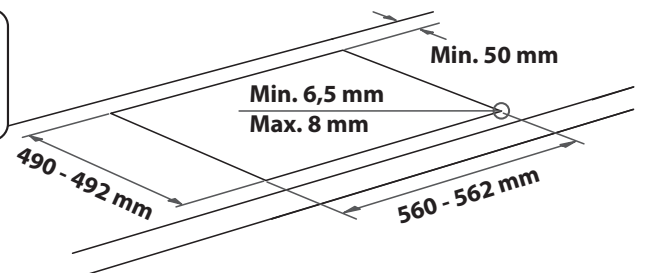
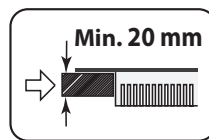
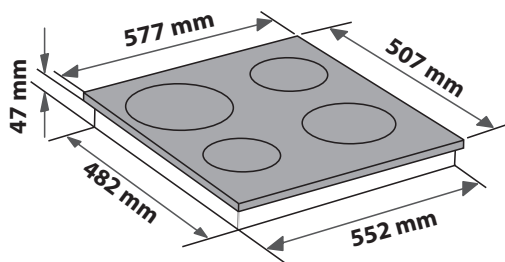
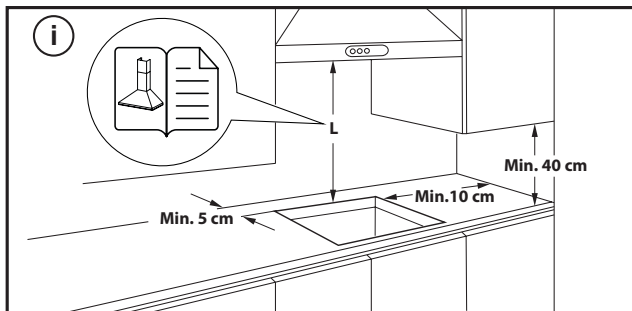


ΤΟΠΟΘΕΤΗΣΗ ΤΗΣ ΜΟΝΑΔΑΣ ΕΣΤΙΩΝ

Μετά την ηλεκτρική σύνδεση (βλ. κεφάλαιο "Ηλεκτρική σύνδεση"), τοποθετήστε κάθε κλιπ στερέωσης στις ειδικές υποδοχές στα πλαίσια της μονάδας εστιών, όπως φαίνεται στην εικόνα. Στη συνέχεια, σπρώξτε τη μονάδα εστιών μέσα στο άνοιγμα και βεβαιωθείτε ότι το γυαλί είναι επίπεδο και παράλληλο με τον πάγκο. Τα κλιπ στερέωσης είναι σχεδιασμένα για κάθε είδους πάγκο (ξύλο, μάρμαρο κ.λπ.).



ΔΙΑΣΤΑΣΕΙΣ ΚΑΙ ΑΠΟΣΤΑΣΕΙΣ ΠΟΥ ΠΡΕΠΕΙ ΝΑ ΤΗΡΟΥΝΤΑΙ



ΑΦΑΙΡΕΣΗ ΤΗΣ ΕΣΤΙΑΣ:

Για να αφαιρέσετε την εστία, πρώτα αποσυνδέστε την από την παροχή ρεύματος. Συνιστάται ανεπιφύλακτα να ελευθερώσετε το κάτω μέρος από το φούρνο, το συρτάρι, το διαχωριστικό ή άλλο. Επιτρέπει στον τεχνικό να έχει πρόσβαση στο κάτω μέρος της εστίας για να ξεσφίξει τα τέσσερα κλιπ με ένα κατσαβίδι, να σηκώσει την εστία και να την αφαιρέσει, αποφεύγοντας οποιαδήποτε ζημιά στον πάγκο εργασίας.

ΗΛΕΚΤΡΙΚΗ ΣΥΝΔΕΣΗ

Πριν συνδέσετε τη συσκευή στην τροφοδοσία ρεύματος, πρέπει να γίνει η ηλεκτρική σύνδεση.

Το καλώδιο τροφοδοσίας δεν περιλαμβάνεται στη συσκευασία - θυμηθείτε να προετοιμάσετε το δικό σας καλώδιο τροφοδοσίας.

Η εγκατάσταση πρέπει να πραγματοποιηθεί από εξειδικευμένο προσωπικό που γνωρίζει τους τρέχοντες κανονισμούς ασφαλείας και εγκατάστασης. Συγκεκριμένα, η εγκατάσταση πρέπει να πραγματοποιείται σύμφωνα με τους κανονισμούς της τοπικής εταιρείας παροχής ηλεκτρικής ενέργειας.

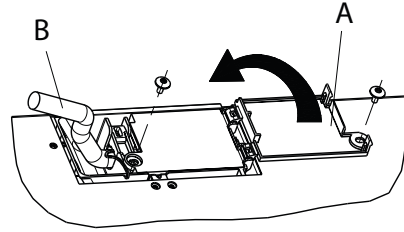
Βεβαιωθείτε ότι η τάση που καθορίζεται στην πινακίδα στοιχείων στο κάτω μέρος της συσκευής είναι η ίδια με την οικιακή.

Οι κανονισμοί απαιτούν τη γείωση της συσκευής: χρησιμοποιήστε καλώδια (συμπεριλαμβανομένου του καλωδίου γείωσης) κατάλληλου μεγέθους μόνο.

ΣΥΝΔΕΣΗ ΣΤΟΝ ΠΙΝΑΚΑ ΑΚΡΟΔΕΚΤΩΝ

Για ηλεκτρική σύνδεση, χρησιμοποιήστε ένα καλώδιο H05RR-F ή H05V2V2-F όπως καθορίζεται στον παρακάτω πίνακα.

ΤΑΣΗ ΠΑΡΟΧΗΣ	ΑΓΩΓΟΙ ΠΟΣΟΤΗΤΑ x ΜΕΓΕΘΟΣ
220-240V ~+ 	3 x 4 mm ²
230-240V ~+ 	3 x 4 mm ² (μόνο για την Αυστραλία)
220-240V 3~+ 	4 x 1,5 mm ²
380-415V 3N~+ 	5 x 1,5 mm ²
380-425V 2N~+ 	4 x 1,5 mm ²

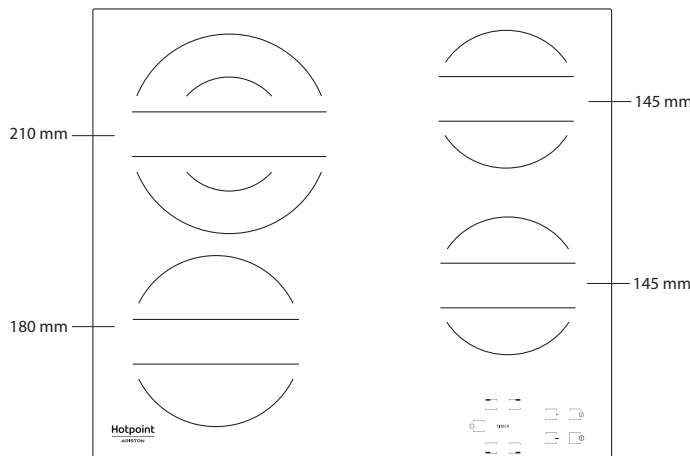
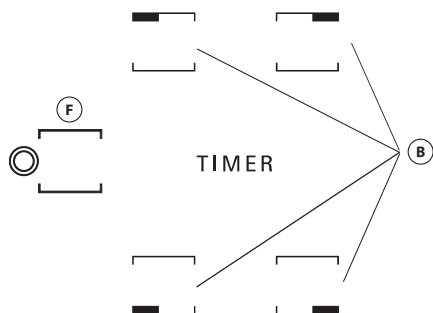


Η συσκευή πρέπει να συνδεθεί στην τροφοδοσία ρεύματος μέσω ενός πολυπολικού διακόπτη αποσύνδεσης με ελάχιστο διάστημα επαφής 3 mm.

ΠΡΟΣΟΧΗ: Το καλώδιο τροφοδοσίας πρέπει να είναι αρκετά μακρύ ώστε να επιτρέπεται η αφαίρεση της μονάδας εστιών από τον πάγκο και πρέπει να τοποθετείται έτσι ώστε να αποφεύγεται η πρόκληση ζημιάς ή η υπερθέρμανση που προκαλείται από την επαφή με τη βάση.

ΣΗΜΕΙΩΣΗ: το κίτρινο/πράσινο καλώδιο γείωσης πρέπει να συνδεθεί στο τερματικό με το σύμβολο  και πρέπει να είναι μεγαλύτερο από τα άλλα καλώδια.

- Βγάλτε περίπου 70 mm από το περίβλημα του καλωδίου τροφοδοσίας (**B**).
- Απογυμνώστε περίπου 10 mm από τα καλώδια. Εισαγάγετε το καλώδιο τροφοδοσίας στο σφιγκτήρα και συνδέστε τα καλώδια στους ακροδέκτες όπως φαίνεται στο διάγραμμα σύνδεσης που βρίσκεται δίπλα από την πλακέτα ακροδεκτών.
- Ασφαλίστε το καλώδιο τροφοδοσίας (**B**) μέσω του σφιγκτήρα καλωδίου.
- Κλείστε την πλακέτα ακροδεκτών με το κάλυμμα (**A**) ασφαρίζοντας το με την προβλεπόμενη βίδα.
- Μετά την ηλεκτρική σύνδεση, τοποθετήστε τη μονάδα εστιών από το πάνω μέρος και στερεώστε τη στα ελατήρια στήριξης, σύμφωνα με την εικόνα.

**ΣΑΣ ΕΥΧΑΡΙΣΤΟΥΜΕ ΠΟΥ ΑΓΟΡΑΣΑΤΕ ΕΝΑ ΠΡΟΪΟΝ WHIRLPOOL**Για να λάβετε πλήρη τεχνική υποστήριξη, παρακαλούμε να καταχωρίσετε τη συσκευή σας στην ιστοσελίδα www.hotpoint.eu/register.**ΣΑΡΩΣΤΕ ΤΟΝ ΚΩΔΙΚΟ QR ΣΤΗ ΣΥΣΚΕΥΗ ΣΑΣ ΓΙΑ ΠΕΡΙΣΣΟΤΕΡΕΣ ΠΛΗΡΟΦΟΡΙΕΣ****Διαβάστε τις οδηγίες για την ασφάλεια προσεκτικά πριν χρησιμοποιήσετε τη συσκευή.****ΠΕΡΙΓΡΑΦΗ ΠΡΟΪΟΝΤΟΣ****ΠΙΝΑΚΑΣ ΕΛΕΓΧΟΥ**

- A** Ενεργ/Απενεργ
- B** Επιλογή εστιών και χρονοδιακόπτης
- C-E** Αύξηση και μείωση ρύθμισης θερμοκρασίας
- D** Κλείδωμα των κουμπιών
- F** Ενεργοποίηση/απενεργοποίηση πολλαπλής ζώνης

ΠΡΩΤΗ ΧΡΗΣΗ

Κατά την πρώτη εγκατάσταση, ο πίνακας διακοπών θα εκτελέσει έναν έλεγχο λειτουργίας για περίπου 1 δευτερόλεπτο και, στη συνέχεια, θα ενεργοποιηθεί αυτόματα τη λειτουργία "Κλείδωμα πλήκτρων".
Γι να απενεργοποιήσετε αυτή τη λειτουργία, πατήστε και κρατήστε πατημένο

το κουμπί "D", ένα ηχητικό σήμα θα ηχήσει και το αντίστοιχο led θα σβήσει.

ΣΗΜΕΙΩΣΗ: Σε περίπτωση επαναρρύθμισης της συσκευής, επαναλάβετε τη διαδικασία που περιγράφεται πιο πάνω.**ΚΑΘΗΜΕΡΙΝΗ ΧΡΗΣΗ****ΕΝΕΡΓΟΠΟΙΗΣΗ/ΑΠΕΝΕΡΓΟΠΟΙΗΣΗ ΜΟΝΑΔΑΣ ΕΣΤΙΩΝ**

Για να ενεργοποιήσετε τη μονάδα εστιών, πρέπει να κρατήσετε πατημένο το κουμπί "A" για 2 περίπου δευτερόλεπτα. Στις οθόνες των 4 εστιών μαγειρέματος εμφανίζεται η ένδειξη "0". Εάν μέσα σε 20 περίπου δευτερόλεπτα δεν ανάβει καμία από τις μαγειρικές εστίες, η μονάδα των εστιών σβήνει αυτόματα για λόγους ασφαλείας.

ΕΝΕΡΓΟΠΟΙΗΣΗ ΚΑΙ ΡΥΘΜΙΣΗ ΕΣΤΙΩΝ

Πιέστε ένα από τα κουμπιά "B" που αντιστοιχεί στη ζώνη μαγειρέματος που σκοπεύετε να χρησιμοποιήσετε. Επιλέξτε τη ρύθμιση μαγειρέματος πατώντας τα κουμπιά "E" ή "C". Οι άλλες επιλέξιμες ρυθμίσεις μαγειρέματος κυμαίνονται από 1 έως 9. Πιέστε ταυτόχρονα τα κουμπιά "+/-" για να ακυρώσετε όλες τις ρυθμίσεις.

ΠΡΟΣΟΧΗ: ο διακόπτης απενεργοποιείται 10 δευτερόλεπτα μετά την επιλογή της ρύθμισης της θερμοκρασίας. Για αλλαγή της ρύθμισης της θερμοκρασίας, πιέστε ξανά το κουμπί επιλογής "B" και αλλάξτε τη ρύθμιση, χρησιμοποιώντας τα κουμπιά "E" ή "C".

**ΠΟΛΛΑΠΛΗ ΖΩΝΗ**

Αφού επιλέξετε τη ζώνη μαγειρέματος και ρυθμίσετε το επίπεδο (όπως περιγράφεται στην προηγούμενη ενότητα) πατήστε το "F": ανάβει ένας δείκτης πάνω από το κουμπί, ενεργοποιώντας την επιπλέον ζώνη.

Η πολλαπλή ζώνη μπορεί να χρησιμοποιηθεί αν:

- Η ζώνη μαγειρέματος παρέχεται με πολλαπλή ζώνη;
- Το επίπεδο ισχύος είναι μεγαλύτερο από το 0.

Για να απενεργοποιήσετε την πολλαπλή ζώνη, πατήστε το κουμπί "B" της επιθυμητής ζώνης και στη συνέχεια πατήστε ξανά το "F".

ΧΡΟΝΟΔΙΑΚΟΠΤΗ

Για τη ρύθμιση της λειτουργίας χρονοδιακόπτη, επιλέξτε την εστία και το επίπεδο ισχύος και πατήστε ξανά το πλήκτρο της εστίας, στο σημείο αυτό ανάβει μια φωτεινή ένδειξη στην οθόνη της εστίας που λειτουργεί με χρονορύθμιση. Στις 2 οθόνες ανάβει η ένδειξη "00". Πατήστε τα κουμπιά "E" ή "C" για να ρυθμίσετε το χρόνο από 1 έως 99.

ΠΡΟΣΟΧΗ: μετά από 10 δευτερόλεπτα οι οθόνες του χρονοδιακόπτη εμφανίζουν το επίπεδο ισχύος των άλλων εστιών. Για να εμφανιστεί ο χρόνος που απομένει πατήστε δύο φορές την εστία που λειτουργεί με χρονορύθμιση.

ΜΙΑ ΛΕΙΤΟΥΡΓΙΑ

Αυτή η λειτουργία επιτρέπει την αυτόματη μείωση του επιπέδου ισχύος της ζώνης μαγειρέματος από την υψηλότερη τιμή (επίπεδο 9) σε αυτήν που έχει επιλέξει ο χρήστης για μεταγενέστερο στάδιο μαγειρέματος.

Για να ενεργοποιήσετε αυτή τη λειτουργία, πατήστε πρώτα το κουμπί “+” όταν φτάσετε στο επίπεδο 9.

Στην οθόνη εμφανίζεται το “A” και το “9” αναβοσβήνει εναλλάξ με χαμηλή φωτεινότητα.

Σε αυτό το σημείο, επιλέξτε το επιθυμητό επίπεδο ισχύος (λιγότερο από 9) με το κουμπί “-”.

Το “A” και το επιλεγμένο επίπεδο αναβοσβήνουν εναλλάξ με χαμηλή φωτεινότητα στην οθόνη. Η λειτουργία ενεργοποιείται μία φορά “A” και το επιλεγμένο επίπεδο αναβοσβήνει εναλλάξ με υψηλή φωτεινότητα στην οθόνη. Μόλις το “A” δεν είναι πλέον ορατό στην οθόνη (η λειτουργία “A” απενεργοποιείται αυτόματα μετά από αρκετά λεπτά, ανάλογα με το επίπεδο ισχύος που έχει ρυθμιστεί), η διαδικασία μαγειρέματος συνεχίζεται με χαμηλότερη ισχύ και στην οθόνη εμφανίζεται μόνο το επιλεγμένο επίπεδο ισχύος.

ΣΗΜ.: αυτή η λειτουργία δεν είναι δυνατή με το επίπεδο 9.



ΚΛΕΙΔΩΜΑ ΠΛΗΚΤΡΩΝ

Η λειτουργία Κλείδωμα πλήκτρων ενεργοποιείται κρατώντας πατημένο το κουμπί “D” έως ότου σβήσει η κουκκίδα πάνω από το κουμπί λειτουργίας. Ο πίνακας ελέγχου είναι κλειδωμένος εκτός από τη λειτουργία απενεργοποίησης. Η λειτουργία παραμένει ενεργοποιημένη ακόμη και αφού σβήσετε και ανάψετε πάλι τη μονάδα εστιών και μπορεί να απενεργοποιηθεί πιέζοντας το κουμπί “D” ξανά έως ότου σβήσει η κουκκίδα πάνω από το κουμπί λειτουργίας.

Όταν η εστία είναι απενεργοποιημένη με το κλείδωμα των κουμπιών ενεργοποιημένο, για να ενεργοποιήσετε την εστία, απενεργοποιήστε πρώτα τη λειτουργία κλειδώματος των κουμπιών πατώντας ξανά το κουμπί “D” μέχρι να σβήσει η κουκκίδα πάνω από το κουμπί λειτουργίας.

Η παροοσία νερού, υγρού που χύνεται από καθαρόλες ή οποιαδήποτε αντικειμένων ακουμπούν στα χειριστήρια μπορεί να ενεργοποιήσει ή να απενεργοποιήσει κατά λάθος το κλείδωμα των κουμπιών.

ΠΙΝΑΚΑΣ ΨΗΣΙΜΑΤΟΣ

ΕΠΙΠΕΔΟ ΙΣΧΥΣ		ΤΡΟΠΟΣ ΜΑΓΕΙΡΕΜΑΤΟΣ	ΧΡΗΣΗ ΕΠΙΠΕΔΟΥ (υποδεικνύοντας την εμπειρία μαγειρέματος και τις συνήθειες)
Μέγιστη ισχύς	9	Βράσιμο	Ιδανική ρύθμιση για αύξηση της θερμοκρασίας του φαγητού για γρήγορο βράσιμο στην περίπτωση νερού ή για γρήγορο ζέσταμα υγρών μαγειρέματος.
	9-8	Τσιγάρισμα	Ιδανική ρύθμιση για ρόδισμα, πρώτα στάδια μαγειρέματος, τηγάνισμα καταψυγμένων προϊόντων και γρήγορο βράσιμο.
Υψηλή ισχύς	8-7	Ρόδισμα – διατήρηση βρασμού - ψήσιμο στο γκριλ	Ιδανικό για ρόδισμα, διατήρηση υψηλού βρασμού, μαγείρεμα και ψήσιμο στο γκριλ (μικρή διάρκεια, 5-10 λεπτά).
	7-6	Τηγάνισμα – μαγείρεμα – ψήσιμο στο γκριλ	Ιδανικό για διατήρηση χαμηλού βρασμού, μαγείρεμα και ψήσιμο στο γκριλ (μεσαία διάρκεια, 10-20 λεπτά), προθέρμανση και τηγάνισμα.
Μέτρια ισχύς	6-5	Απαλό τηγάνισμα	Ιδανικό για τηγάνισμα αυγών, ομελετών.
	5-4	Μαγείρεμα – σιγοβράσιμο – βράσιμο	Ιδανική ρύθμιση για μαγείρεμα μεγάλης διάρκειας (ρύζι, σάλτσες, ψητά, ψάρια) με υγρά (π.χ. νερό, κρασί, ζωμός, γάλα), συμπύκνωση κρέμας ζυμαρικών.
	4-3	Συμπύκνωση - συμπύκνωση κρέμας ζυμαρικών	
Χαμηλή ισχύς	2-1	Διατήρηση ζεστού φαγητού – συμπύκνωση κρέμας ριζότου	Ιδανικό για να διατηρείτε ζεστό το φαγητό που μόλις μαγειρέψατε (π.χ., σάλτσες, σούπες, minestrone), συμπύκνωση κρέμας ριζότου και διατήρηση των πιάτων σε βερνίκι ζεστά.
Ελάχιστη ισχύς	1	Απόψυξη	Ιδανική ρύθμιση για απόψυξη μικρών προϊόντων και απαλό λιώσιμο σοκολάτας ή βουτύρου.
Μηδενική ισχύς	0	—	Μονάδα εστιών σε κατάσταση αναμονής ή απενεργοποίησης (πιθανή υπολειπόμενη θερμότητα τέλους μαγειρέματος, που υποδεικνύεται με ένα “H”).



ΕΝΔΕΙΞΗ ΥΠΟΛΕΙΠΟΜΕΝΗΣ ΘΕΡΜΟΤΗΤΑΣ

Όταν σβήσει η εστία, η ένδειξη υπολειπόμενης θερμότητας “H” παραμένει αναμμένη ή αναβοσβήνει με “0” μέχρι η θερμοκρασία της εστίας να επιστρέψει εντός των ορίων ασφαλείας.

ΠΡΟΣΟΧΗ: Οι λειτουργίες ασφαλείας της εστίας περιλαμβάνουν μια λειτουργία για αυτόματο σβήσιμο. Η παρατεταμένη χρήση της ίδιας ρύθμισης θερμοκρασίας ενεργοποιεί το αυτόματο σβήσιμο της εστίας (για παράδειγμα, μετά από περίπου 1 ώρα στη μέγιστη ρύθμιση θερμοκρασίας, η εστία σβήνει).

ΣΗΜΑΝΤΙΚΟ: Για να αποφύγετε μόνιμη βλάβη των εστιών:

- Μην χρησιμοποιείτε σκεύη με βάση που δεν είναι εντελώς επίπεδη
- Μην χρησιμοποιείτε μεταλλικά σκεύη με εμαγιέ βάση
- Μην τοποθετείτε ζεστές καθαρόλες/σκεύη πάνω στον πίνακα ελέγχου.

Η εστία είναι επίσης εξοπλισμένη με τη λειτουργία “auto shut off” (αυτόματη απενεργοποίηση) που απενεργοποιεί τη ζώνη μαγειρέματος εάν δεν γίνει τροποποίηση του επιπέδου ισχύος μετά από ένα συγκεκριμένο χρονικό διάστημα, ανάλογα με την ίδια τη ρύθμιση ισχύος. Στον πίνακα, υπάρχει η χρονική διάρκεια κάθε επιπέδου ισχύος.

ΕΠΙΠΕΔΟ ΙΣΧΥΟΣ	ΧΡΟΝΟΣ ΑΥΤΟΜΑΤΗΣ ΑΠΕΝΕΡΓΟΠΟΙΗΣΗΣ
0	30 δευτερόλεπτα
1	10 ώρες
2	5 ώρες
3	5 ώρες
4	4 ώρες
5	3 ώρες
6	2 ώρες
7	2 ώρες
8	2 ώρες
9	1 ώρα

ΚΑΘΑΡΙΣΜΟΣ ΚΑΙ ΣΥΝΤΗΡΗΣΗ

⚠️ Αποσυνδέστε τη συσκευή από το ηλεκτρικό δίκτυο.

- Μη χρησιμοποιείτε εξοπλισμό καθαρισμού με ατμό.
- Μην χρησιμοποιείτε αποξεστικά καθαριστικά ή συρμάτινα σφουγγαράκια γιατί μπορεί να προκαλέσουν ζημιά στο γυαλί.
- Μετά τη χρήση, καθαρίστε τη μονάδα εστιών (όταν κρυώσει), ώστε να απομακρυνθούν υπολείμματα τροφίμων και κηλίδες.
- Η ζάχαρη ή τα φαγητά με υψηλή περιεκτικότητα σε σάκχαρα προκαλούν φθορά στη μονάδα εστιών και πρέπει να καθαρίζονται αμέσως.

- Το αλάτι, η ζάχαρη και η άμμος μπορούν να χαράξουν την επιφάνεια του γυαλιού.
- Χρησιμοποιείτε μαλακό πανί, χαρτί κουζίνας ή ειδικά προϊόντα για τον καθαρισμό της μονάδας (ακολουθείτε τις οδηγίες του κατασκευαστή).
- Οι διαρροές υγρών στις εστίες μπορεί να προκαλέσει τη μετακίνηση ή τον κραδασμό των σκευών.
- Σκουπίστε καλά την επιφάνεια της μονάδας μετά τον καθαρισμό.

ΑΝΤΙΜΕΤΩΠΙΣΗ ΠΡΟΒΛΗΜΑΤΩΝ

Εάν η μονάδα εστιών δεν λειτουργεί σωστά, πριν επικοινωνήσετε με το κέντρο εξυπηρέτησης πελατών, ανατρέξτε στον οδηγό αντιμετώπισης προβλημάτων για να καθορίσετε το πρόβλημα.

- Διαβάστε τις οδηγίες που παρέχονται στην ενότητα "Καθημερινή χρήση".
- Βεβαιωθείτε ότι δεν υπάρχουν διακοπές στην παροχή.
- Σκουπίστε καλά την επιφάνεια της μονάδας μετά τον καθαρισμό.
- Εάν έχει επιλεγεί μια ζώνη μαγειρέματος και στην οθόνη εμφανίζεται ένα "F" ή ένα "ER" ακολουθούμενο από έναν αριθμό, επικοινωνήστε με το σέρβις και ενημερώστε σχετικά.
- Εάν ο κωδικός σφάλματος είναι "F03", "ER03" ή "E02", προσπαθήστε να το λύσετε ακολουθώντας αυτές τις οδηγίες:
 - Εάν εμφανιστεί το σφάλμα "E02" βεβαιωθείτε ότι δεν έχετε πατήσει κουμπιά για περισσότερα από 5 δευτερόλεπτα, ότι δεν υπάρχει αντικείμενο στην περιοχή HMI και ότι είναι καθαρή και στεγνή - κατά τον καθαρισμό, ακολουθήστε όσα αναφέρονται στην παράγραφο συντήρησης και καθαρισμού.
 - Εάν εμφανιστεί το σφάλμα "F03", δοκιμάστε να απενεργοποιήσετε και να ενεργοποιήσετε ξανά την εστία.
 - Εάν εμφανιστεί το σφάλμα "F04", επικοινωνήστε με το σέρβις και ενημερώστε σχετικά με τον κωδικό που εμφανίζεται.

- Αν η κουζίνα δε λειτουργεί ύστερα από παρατεταμένη χρήση, τότε η εσωτερική της θερμοκρασία είναι πολύ υψηλή. Περιμένετε μερικά λεπτά μέχρι να κρυώσει η κουζίνα.
- Εάν ο θερμαντήρας δεν είναι συνεχώς αναμμένος, αλλά ανάβει και σβήνει κυκλικά, ακόμα κι αν στην οθόνη το επίπεδο ισχύος δεν αλλάζει, αυτό αποτελεί μέρος της κανονικής λειτουργίας της εστίας. Ο κύκλος on/off (ενεργοποίηση/απενεργοποίηση) επιτρέπει τη ρύθμιση ισχύος του θερμαντήρα και είναι απολύτως φυσιολογικός. Σε ορισμένες περιπτώσεις, η θερμική προστασία θα μπορούσε να απενεργοποιήσει τον θερμαντήρα για κάποιο χρονικό διάστημα για να αποφευχθεί η ζημιά στο γυαλί. Παραδείγματα τέτοιων περιπτώσεων είναι: μαγείρεμα για μεγάλο χρονικό διάστημα σε υψηλό επίπεδο ισχύος, χρησιμοποιώντας κατσαρόλες μικρότερες από το θερμαντικό στοιχείο και όχι κατσαρόλες με επίπεδο πυθμένα.
- Εάν η εστία εκπέμπει έναν σύντομο ήχο χωρίς ο πελάτης να πατήσει κανένα κουμπί, φροντίστε να μην χυθεί υγρό στο HMI. Στεγνώστε το HMI και συνεχίστε να χρησιμοποιείτε την εστία. Εάν η εστία έχει απενεργοποιηθεί αυτόματα, αυτό μπορεί να προκληθεί από παρούσα υγρού στο HMI. Στεγνώστε το HMI και ενεργοποιήστε ξανά την εστία.

Εάν μετά από αυτούς τους ελέγχους το πρόβλημα παραμένει, απευθυνθείτε στο πλησιέστερο Κέντρο Εξυπηρέτησης Πελατών.

ΚΕΝΤΡΟ ΕΞΥΠΗΡΕΤΗΣΗΣ ΠΕΛΑΤΩΝ

Για να λάβετε πλήρη τεχνική υποστήριξη, παρακαλούμε να καταχωρίσετε τη συσκευή σας στην ιστοσελίδα www.hotpoint.eu/register.

ΠΡΙΝ ΚΑΛΕΣΕΤΕ ΤΟ ΣΕΡΒΙΣ:

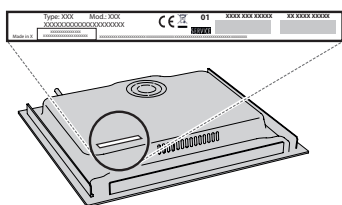
- Επιχειρήστε να επιλύσετε μόνοι σας το πρόβλημα με τη βοήθεια των συστάσεων που παρέχονται στον **ΟΔΗΓΟ ΑΝΤΙΜΕΤΩΠΙΣΗΣ ΒΛΑΒΩΝ**.
- Σβήστε και ανάψτε ξανά τη συσκευή για να διαπιστώσετε εάν η βλάβη παραμένει.

ΕΑΝ Η ΒΛΑΒΗ ΕΞΑΚΟΛΟΥΘΕΙ ΝΑ ΕΜΦΑΝΙΖΕΤΑΙ ΜΕΤΑ ΤΟΥΣ ΠΑΡΑΠΑΝΩ ΕΛΕΓΧΟΥΣ, ΕΠΙΚΟΙΝΩΝΗΣΤΕ ΜΕ ΤΟ ΠΛΗΣΙΕΣΤΕΡΟ ΣΕΡΒΙΣ.

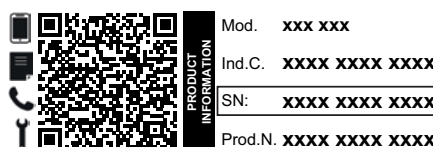
Για τεχνική υποστήριξη, καλέστε τον αριθμό που αναγράφεται στο βιβλιαράκι εγγύησης ή ακολουθήστε τις οδηγίες στην www.hotpoint.eu.

Όταν επικοινωνείτε με την Εξυπηρέτηση πελατών, αναφέρετε πάντα:

- Μια σύντομη περιγραφή της βλάβης;
- Τον τύπο και το ακριβές μοντέλο της συσκευής;



- τον σειριακό αριθμό (αριθμός μετά τη λέξη SN στην πινακίδα που βρίσκεται κάτω από τη συσκευή). Ο σειριακός αριθμός αναφέρεται επίσης στην τεκμηρίωση.



- την πλήρη διεύθυνσή σας
- τον αριθμό τηλεφώνου σας.

Εάν απαιτείται επισκευή, απευθυνθείτε σε ένα εξουσιοδοτημένο Κέντρο Εξυπηρέτησης Πελατών (για να διασφαλιστεί η χρήση γνήσιων ανταλλακτικών και η σωστή επισκευή).

Μπορείτε να βρείτε πολιτικές, τυπική τεκμηρίωση και πρόσθετες πληροφορίες προϊόντος:

- Χρήση του κωδικού QR στη συσκευή σας;
- Επισκεφθείτε την ιστοσελίδα μας docs.hotpoint.eu;
- Εναλλακτικά, **μπορείτε να επικοινωνήσετε με την Υπηρεσία εξυπηρέτησης πελατών** (βλ. τηλεφωνικό αριθμό στο βιβλιαράκι εγγύησης). Όταν επικοινωνείτε με το Κέντρο εξυπηρέτησης πελατών, αναφέρετε τους κωδικούς που αναγράφονται στην ετικέτα αναγνώρισης προϊόντος.

