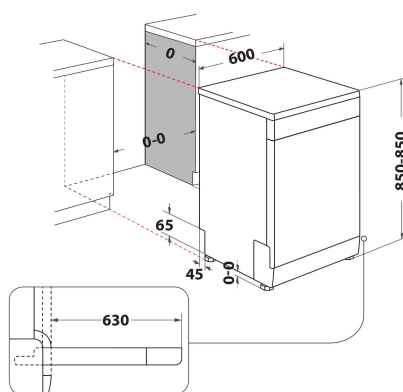


# H7F HS41 X

12NC: 859991657970

GTIN (EAN) code: 8050147657973

**Hotpoint**



## MAIN FEATURES

|                                       |                  |
|---------------------------------------|------------------|
| Construction type                     | Свободностоящи   |
| Installation type                     | Свободностоящи   |
| Type of control                       | Electronic       |
| Type of control settings              | -                |
| Removable work top                    | Yes              |
| Main colour of product                | Инокс            |
| Electrical connection rating (W)      | 1900             |
| Current (A)                           | 10               |
| Voltage (V)                           | 220-240          |
| Frequency (Hz)                        | 50               |
| Length of Electrical Supply Cord (cm) | 130              |
| Plug type                             | Schuko           |
| Length inlet hose (cm)                | 155              |
| Length outlet hose (cm)               | 150              |
| Adjustable feet                       | Yes - front only |
| Height of the product                 | 850              |
| Width of the product                  | 600              |
| Depth of the product                  | 590              |
| Minimum niche height                  | 0                |
| Maximum niche height                  | 0                |
| Minimum niche width                   | 0                |
| Maximum niche width                   | 0                |
| Niche depth                           | 590              |
| Net weight (kg)                       | 50               |
| Gross weight (kg)                     | 52.5             |

## TECHNICAL FEATURES

|   |            |
|---|------------|
| Automatic programmes                            | Yes        |
| Maximum temperature for water intake (°C)       | 60         |
| Start delay options                             | Continuous |
| Start delay time max. (h)                       | 24         |
| Progress indicator                              | -          |
| Digital countdown indicator                     | Yes        |
| Salt light indicator                            | Yes        |
| Rinse aid light indicator                       | Yes        |
| Safety device                                   | Yes        |
| Adjustable upper basket                         | Yes        |
| Largest loadable dish upper basket (cm)         | 0          |
| Largest loadable dish lower basket (cm)         | 0          |
| Maximum number of place settings (EU 2017/1369) | 15         |
| Column installation                             | No         |

## ENERGY LABEL

|   |      |
|---|------|
| Energy Efficiency Class (Regulation (EU) 2017/1369)                           | C    |
| Energy Consumption for 100 cycles Eco Programme (EU 2017/1369)                | 76   |
| Power consumption in standby mode (Psm) (EU 2017/1369)                        | 0,50 |
| Power consumption in off-mode (Po) (EU 2017/1369)                             | 0,00 |
| The water consumption of the eco programme in liters per cycle (EU 2017/1369) | 9,5  |
| Airborne acoustical noise emissions (EU 2017/1369)                            | 41   |
| Airborne acoustical noise emission class (EU 2017/1369)                       | B    |
| Programme duration in HMM (EU 2017/1369)                                      | 3:30 |