

SAFETY INSTRUCTIONS

⚠ These instructions are valid if the country symbol appears on the appliance. If the symbol doesn't appear on the appliance, it is necessary to refer to the technical instructions which will provide the necessary instructions concerning modification of the appliance to the conditions of use of the country.

⚠ **CAUTION:** The use of the gas cooking appliance results in the production of heat, moisture and products of combustion in the room in which it is installed. Ensure that the kitchen is well ventilated especially when the appliance is in use: keep natural ventilation holes open or install a mechanical ventilation device (mechanical extractor hood). Prolonged intensive use of the appliance may call for additional ventilation, such as opening a window, or more effective ventilation, for example increasing the level of mechanical ventilation (if possible).

⚠ Failure to follow the information in this manual exactly may cause a fire or explosion, resulting in property damage or personal injury.

Before using the appliance, read these safety instructions. Keep them nearby for future reference.

These instructions and the appliance itself provide important safety warnings, to be observed at all times. The manufacturer declines any liability for failure to observe these safety instructions, for inappropriate use of the appliance or incorrect setting of controls.

⚠ **WARNING:** If the hob surface is cracked, don't use the appliance – risk of electrical shock.

⚠ **WARNING:** Danger of fire: Do not store items on the cooking surfaces.

⚠ **CAUTION:** The cooking process has to be supervised. A short cooking process has to be supervised continuously.

⚠ **WARNING:** Unattended cooking on a hob with fat or oil can be dangerous – risk of fire. NEVER try to extinguish a fire with water, but switch off the appliance and then cover flame e.g. with a lid or a fire blanket.

⚠ Do not use the hob as a work surface or support. Keep clothes or other flammable materials away from the appliance, until all the components have cooled down completely – risk of fire.

⚠ Very young children (0-3 years) should be kept away from the appliance. Young children (3-8 years) should be kept away from the appliance unless continuously supervised. Children from 8 years old and above and persons with reduced physical, sensory or mental capabilities or lack of experience and knowledge can use this appliance only if they are supervised or have been given instructions on safe use and understand the hazards involved. Children must not play with the appliance. Cleaning and user maintenance must not be carried out by children without supervision.

⚠ **CAUTION:** In case of hotplate glass breakage: shut immediately off all burners and any electrical heating element and isolate the appliance from the power

IMPORTANT TO BE READ AND OBSERVED

supply; do not touch the appliance surface; do not use the appliance.

The glass lid can break in if it is heated up. Turn off all the burners and the electric plates before closing the lid. Do not shout down lid when burner alight.

⚠ **WARNING:** The appliance and its accessible parts become hot during use. Care should be taken to avoid touching heating elements. Children less than 8 years of age must be kept away unless continuously supervised.

⚠ The food must not be left in or on the product for more than one hour before or after cooking.

PERMITTED USE

⚠ **CAUTION:** the appliance is not intended to be operated by means of an external switching device, such as a timer, or separate remote controlled system.

⚠ This appliance is intended to be used in household and similar applications such as: staff kitchen areas in shops, offices and other working environments; farm houses; by clients in hotels, motels, bed & breakfast and other residential environments.

⚠ No other use is permitted (e.g. heating rooms).

⚠ This appliance is not for professional use. Do not use the appliance outdoors.

⚠ Use pots and pans with bottoms the same width as that of the burners or slightly larger (see specific table). Make sure pots on the grates do not protrude beyond the edge of the hob.

⚠ Improper use of the grids can result in damage to the hob: do not position the grids upside down or slide them across the hob.

Do not let the burner flame extend beyond the edge of the pan.

If the hob surface is in glass material, do not use the cast iron griddles, ollar stones, terracotta pots and pans.

Do not use: heat diffusers such as metal mesh, or any other types; two burners simultaneously for one receptacle (e.g. Fish kettle).

Should particular local conditions of the delivered gas make the ignition of burner difficult, it is advisable to repeat the operation with the knob turned to small flame setting.

In case of installation of a hood above the cooktop, please refer to the hood instructions for the correct distance.

The protective rubber feet on the grids represent a choking hazard for young children. After removing the grids, please ensure that all the feet are correctly fitted.

INSTALLATION

⚠ The appliance must be handled and installed by two or more persons - risk of injury. Use protective gloves to unpack and install - risk of cuts.

⚠ The electrical and gas connections must comply with local regulation.

⚠ Installation, including water supply (if any) and electrical connections, and repairs must be carried out by a qualified technician. Do not repair or replace any part of the appliance unless specifically stated in the user manual. Keep children away from the installation site. After unpacking the appliance, make sure that it has not been damaged during transport. In the event of problems, contact the dealer or your nearest After-sales Service. Once installed, packaging waste (plastic, styrofoam parts etc.) must be stored out of reach of children - risk of suffocation. The appliance must be disconnected from

the power supply before any installation operation - risk of electrical shock. During installation, make sure the appliance does not damage the power cable - risk of fire or electrical shock. Only activate the appliance when the installation has been completed.

⚠ **WARNING:** Modification of the appliance and its method of installation are essential in order to use the appliances safely and correctly in all the additional countries.

⚠ Use pressure regulators suitable for the gas pressure indicated in the instruction.

⚠ The room must be equipped with an air extraction system that expels any combustion fumes.

⚠ The room must also allow proper air circulation, as air is needed for combustion to occur normally. The flow of air must not be less than 2 m³/h per kW of installed power.

⚠ The air circulation system may take air directly from the outside by means of a pipe with an inner cross section of at least 100 cm²; the opening must not be vulnerable to any type of blockages.

⚠ The system can also provide the air needed for combustion indirectly, i.e. from adjacent rooms fitted with air circulation tubes as described above. However, these rooms must not be communal rooms, bedrooms or rooms that may present a fire hazard.

⚠ Liquid petroleum gas sinks to the floor as it is heavier than air. Therefore, rooms containing LPG cylinders must also be equipped with vents to allow gas to escape in the event of a leak. As a result LPG cylinders, whether partially or completely full, must not be installed or stored in rooms or storage areas that are below ground level (cellars, etc.). It is advisable to keep only the cylinder being used in the room, positioned so that it is not subject to heat produced by external sources (ovens, fireplaces, stoves, etc.) which could raise the temperature of the cylinder above 50°C.

Should you experience difficulty in turning the burners knobs, please contact After Sales Service for replacement of the burner tap if found to be faulty.

The openings used for the ventilation and dispersion of heat must never be covered.

⚠ Carry out all cabinet cutting works before fitting the appliance in the furniture and remove all wood chips and sawdust.

⚠ If the appliance is not installed above an oven, a separator panel (not included) must be installed in the compartment under the appliance.

GAS CONNECTION

⚠ **WARNING:** Prior to installation, ensure that the local distribution conditions (type of gas and gas pressure) and the adjustment of the appliance are compatible.

⚠ Check that the pressure of the gas supply is consistent with the values indicated in "Burner and nozzle specifications" table.

⚠ **WARNING:** The configuration conditions for this appliance are stated on the label (or data plate).

⚠ **WARNING:** This appliance is not connected to a combustion products evacuation device. It must be installed and connected in accordance with current installation regulations. Particular attention must be paid to the relevant requirements regarding ventilation.

⚠ If the appliances is connected to liquid gas, the regulation screw must be fastened as tightly as possible.

⚠ **IMPORTANT:** When the gas cylinder or gas container is installed, it must be properly settled (vertical orientation).

⚠ **WARNING:** This operation must be performed by a qualified technician.

⚠ Use only flexible or rigid metal hose for gas connection.

⚠ Connection with a rigid pipe (copper or steel) Connection to the gas system must be carried out in such a way as not to place any strain of any kind on the appliance. There is an adjustable L-shaped pipe fitting on the appliance supply ramp and this is fitted with a seal in order to prevent leaks. The seal must always be replaced after rotating the pipe fitting (the seal is provided with the appliance). The gas supply pipe fitting is a threaded 1/2 gas cylindrical male attachment.

⚠ Connecting a flexible jointless stainless steel pipe to a threaded attachment. The gas supply pipe fitting is a threaded 1/2 gas cylindrical male attachment. These pipes must be installed so that they are never longer than 2000 mm when fully extended. Once connection has been carried out, make sure that the flexible metal pipe does not touch any moving parts and is not compressed. Only use pipes and seals that comply with current National regulations.

⚠ **IMPORTANT:** If a stainless steel hose is used, it must be installed so as not to touch any mobile part of the furniture (e.g. drawer). It must pass through an area where there are no obstructions and where it is possible to inspect it on all its length.

⚠ The appliance should be connected to the main gas supply or to gas cylinder in compliance with the current national regulations. Before making the connection, make sure that the appliance is compatible with the gas supply you wish to use. If this is not the case, follow the instructions indicated in the paragraph "Adapting to different types of gas".

⚠ After connection to the gas supply, check for leaks with soapy water. Light up the burners and turn the knobs from maximum position 1* to minimum position 2* to check flame stability.

ADAPTING TO DIFFERENT TYPES OF GAS

(This operation needs to be carried out by a qualified technician).

⚠ In order to adapt the appliance to a type of gas other than the type for which it was manufactured (indicated on the rating label), follow the dedicated steps provided after installation drawings.

ELECTRICAL WARNINGS

⚠ **IMPORTANT:** Information about current and voltage consumption is provided on the rating plate.

⚠ It must be possible to disconnect the appliance from the power supply by unplugging it if plug is accessible, or by a multi-pole switch installed upstream of the socket in accordance with the wiring rules and the appliance must be earthed in conformity with

national electrical safety standards.

⚠ The power cable must be long enough to connect the appliance, once fitted in its housing, to the main power supply. Do not pull the power supply cable.

⚠ Do not use extension leads, multiple sockets or adapters. The electrical components must not be accessible to the user after installation. Do not use the appliance when you are wet or barefoot. Do not operate this appliance if it has a damaged power cable or plug, if it is not working properly, or if it has been damaged or dropped.

⚠ If the supply cord is damaged, it must be replaced with an identical one by the manufacturer, its service agent or similarly qualified persons in order to avoid a hazard - risk of electrical shock.


CLEANING AND MAINTENANCE

⚠ **WARNING:** Ensure that the appliance is switched off and disconnected from the power supply before performing any maintenance operation; never use steam cleaning equipment - risk of electric shock.

⚠ Do not use abrasive or corrosive products, chlorine-based cleaners or pan scourers.

⚠ To avoid damaging the electric ignition device, do not use it when the burners are not in their housing.

DISPOSAL OF PACKAGING MATERIALS


The packaging material is 100% recyclable and is marked with the recycle symbol .

The various parts of the packaging must therefore be disposed of responsibly and in full compliance with local authority regulations governing waste disposal.

DISPOSAL OF HOUSEHOLD APPLIANCES

This appliance is manufactured with recyclable or reusable materials. Dispose of it in accordance with local waste disposal regulations. For further information on the treatment, recovery and recycling of household electrical appliances, contact your local authority, the collection service for household waste or the store where you purchased the appliance. This appliance is marked in compliance with European Directive 2012/19/EU, Waste Electrical and Electronic Equipment (WEEE) and with the Waste Electrical and Electronic Equipment regulations 2013 (as amended).

By ensuring this product is disposed of correctly, you will help prevent negative consequences for the environment and human health.

The symbol  on the product or on the accompanying documentation indicates that it should not be treated as domestic waste but must be taken to an appropriate collection center for the recycling of electrical and electronic equipment.

ENERGY SAVING TIPS

Use pots and pans with bottom width equal to that of the cooking zone.

Only use flat-bottomed pots and pans.

When possible, keep pot lids on during cooking.

Use a pressure cooker to save even more energy and time.

DECLARATION OF CONFORMITY

This appliance meets Ecodesign requirements of European Regulation 66/2014 and The Ecodesign for Energy-Related Products and Energy Information (Amendment) (EU Exit) Regulations 2019 in compliance with the European standard EN 30-2-1.

BURNER AND NOZZLE SPECIFICATIONS
CATEGORY II2H3+

Type of gas used	Type of burner	Injector marking	Rated thermal flow rate kW	Rated consumption	Reduced heat capacity kW	Gas pressure mbar		
						min.	rat.	max.
NATURAL GAS (Methane) G20	Rapid (R)	128 B	3,00	286 l/h	0,70	17	20	25
	Semi-rapid (SR)	97 A	1,65	157 l/h	0,40			
	Auxiliary (AUX)	78 A	1,00	95 l/h	0,40			
LIQUEFIED PETROLEUM GAS (Butane) G30	Rapid (R)	85 A	3,00	218 g/h	0,70	20	28-30	35
	Semi-rapid (SR)	66 A	1,65	120 g/h	0,40			
	Auxiliary (AUX)	50	1,00	73 g/h	0,40			
LIQUEFIED PETROLEUM GAS (Propane) G31	Rapid (R)	85 A	3,00	214 g/h	0,70	25	37	45
	Semi-rapid (SR)	66 A	1,65	118 g/h	0,40			
	Auxiliary (AUX)	50	1,00	71 g/h	0,40			

Type of gas used	Model configuration 4 BURNERS	Rated thermal flowrate (kW)	Total rated consumption	Air required (m ³) for burning 1m ³ of gas
G20 20 mbar	1R - 2SR - 1AUX	7,30	695 l/h	9,52
G30 28-30 mbar	1R - 2SR - 1AUX	7,30	531 g/h	30,94
G31 37 mbar	1R - 2SR - 1AUX	7,30	521 g/h	23,80

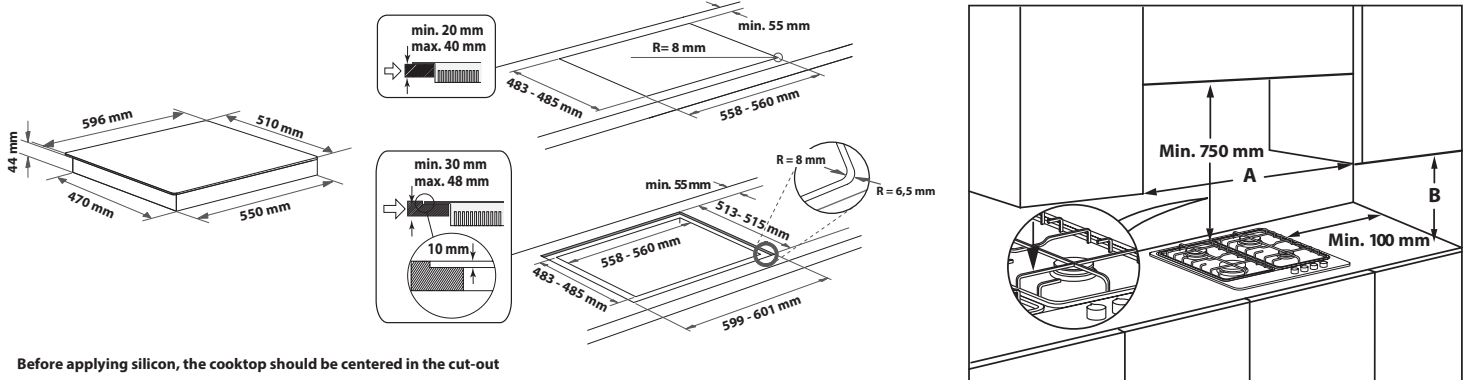
ELECTRIC SUPPLY: 220-240 V ~ 50-60 Hz - 1,1 W


INSTALLATION (CLASS 3)

TECHNICAL INFORMATION FOR THE INSTALLER

- Use protective gloves for handling, preparing and installing the product.
- This product can be embedded in a worktop 20 ÷ 40 mm thick with standard installation. For flush installation 30 ÷ 48 mm.
- If there is no oven beneath the hob, insert a separator panel that has a surface at least equal to the opening in the work surface. This panel must be positioned at a maximum distance of 150 mm below the upper surface of the work surface but, in no case less than 20 mm from the bottom of the hob. In the case that you intend to install an oven beneath the hob, make sure that it is equipped with a cooling system.

DIMENSIONS AND DISTANCES TO BE MAINTAINED



Before applying silicon, the cooktop should be centered in the cut-out

NOTE: If distance "A" between the kitchen cabinets is between 600 mm and 730 mm, height "B" must be at least 530 mm. If distance "A" between the kitchen cabinets is greater than the width of the hob, height "B" must be at least 400 mm. If a hood is installed above the hob, refer to the assembly instructions for the hood to see the necessary distance.

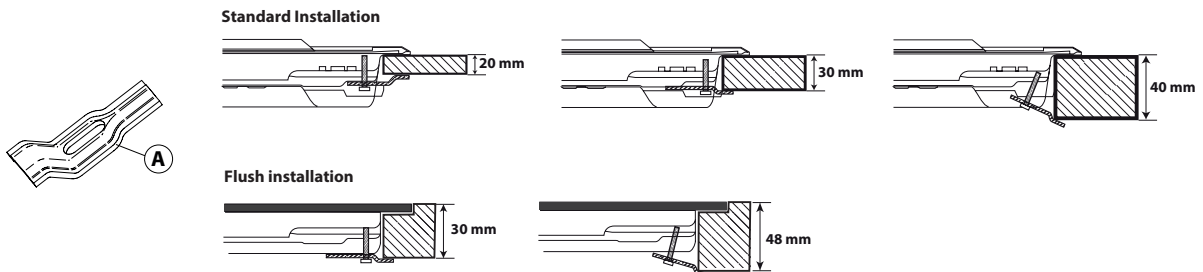
ASSEMBLY

After having cleaned the perimeter surface, apply the supplied gasket to the hob as shown in the figure.

Position the hob in the worktop opening made respecting the dimensions indicated in the Instruction.

NOTE: the power supply cable must be long enough to permit its upward extraction.

To secure the hob, use the brackets (A) provided with it. Fit the brackets into the relevant bores shown by the arrow and fasten them by means of their screws in accordance with the thickness of the worktop (see the following figures).

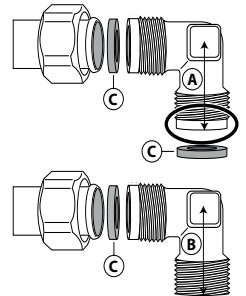


GAS CONNECTION

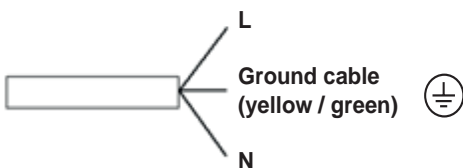
- Connect elbow (A)* or (B)* supplied with to the hob inlet main pipe and interpose the washer (C) supplied, in compliance with EN 549.

* Use elbow (A) for France and elbow (B) for all other destinations.

- After connection to the gas supply, check for leaks with soapy water. Light up the burners and turn the knobs from maximum position to minimum position to check flame stability.



ELECTRICAL CONNECTION





THANK YOU FOR BUYING A HOTPOINT PRODUCT

In order to receive a more complete assistance, please register your product on www.hotpoint.eu/register.

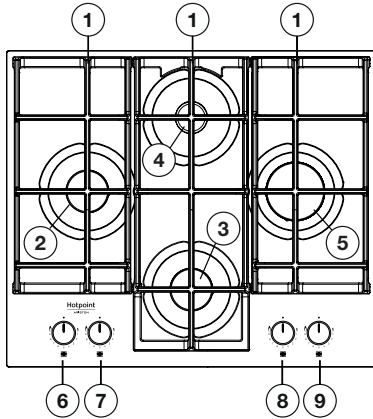


Before using the appliance carefully read the Safety Instruction.

PLEASE SCAN THE QR CODE ON YOUR APPLIANCE IN ORDER TO REACH MORE INFORMATION



PRODUCT DESCRIPTION



1. Removable panstand grids
2. Semi-rapid burner
3. Semi-rapid burner
4. Auxiliary burner
5. Rapid burner
6. Semi-rapid burner control knob
7. Semi-rapid burner control knob
8. Auxiliary burner control knob
9. Rapid burner control knob

Symbols

- Shaded circle ● Tap closed
- Large flame 🔥 Maximum opening/delivery and electric ignition
- Small flame 🔥 Minimum opening or reduced delivery



DAILY USE

HOW TO USE THE HOB

⚠ Do not let the burner flame extend beyond the edge of the pan.

IMPORTANT: when the hob is in use, the entire hob area may become hot.

- To ignite one of the burners, turn the relative knob anti-clockwise to the maximum flame setting.
- Press the knob against the control panel to ignite the burner.
- After the burner has ignited, keep the knob pressed for about 5-10 seconds to allow proper device operation.
- This burner safety device shuts off the gas supply to the burner if the flame goes out accidentally (because of sudden draught, an interruption in the gas delivery, boiling over liquids, etc.).
- **The knob must not be pressed for more than 15 sec. If, after that time has elapsed, the burner does not remain lit, wait at least one minute before trying to light it again.**

NOTE: should particular local conditions of the delivered gas make the ignition of burner difficult, it is advisable to repeat the operation with the knob turned to the small flame setting.

The burner might go out when the knob is released. This means that the safety device has not warmed up enough. In this case, repeat the operations described above.

If the burner flame is accidentally extinguished, switch off the burner control and do not try to ignite for at least 1 minute.

PRACTICAL ADVICE FOR USING THE BURNERS

This hob has burners of different diameters. For better burner performance, please stick to the following rules:

- use pots and pans with bottoms the same width as that of the burners or slightly larger (see table on the right);
- only use flat-bottomed pots and pans;
- use the correct amount of water for cooking foods and keep the pot covered;
- make sure pots on the grates do not protrude beyond the edge of the hob;
- In the case of pans with convex bottoms (WOK), use the support grille (not provided), which should be positioned only on the multi-ring burner;
- avoid accidentally knocking the hob with pans, racks or other kitchen utensils;
- do not leave empty steak grills over the lit burner for longer than 5 minutes.

IMPORTANT: improper use of the grids can damage the hob: do not position the grids upside down or slide them across the hob.

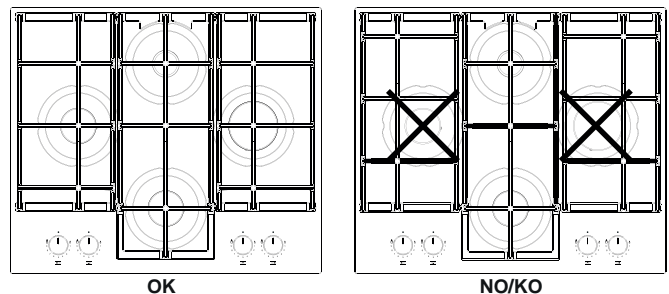
BURNER	POT Ø
Rapid	From 24 to 26 cm
Semi-rapid	From 16 to 22 cm
Auxiliary	From 8 to 14 cm

Do not use:

- cast iron griddles, ollar stones, terracotta pots and pans;
- heat diffusers such as metal mesh, or any other types;
- two burners simultaneously for one receptacle (e.g. fish kettle).

Liquids spilled on hot hob area can cause glass damage.

CORRECT POSITIONING OF THE GRIDS



ADAPTING TO DIFFERENT TYPES OF GAS

⚠ This operation must be performed by a qualified technician.

If the appliance is intended to operate with a different gas from the gas type stated on the rating plate and information label on the top of the hob, change the injectors.

Remove the information label and keep it with the instructions booklet.

Use pressure regulators suitable for the gas pressure indicated in the Instruction:

- the gas injector must be changed by After Sales Service or a qualified technician;
- injector not supplied with the appliance must be ordered from After Sales Service;
- adjust the minimum setting of the taps.

NOTE: when liquid petroleum gas is used (G30/G31), the minimum gas setting screw must be tightened as far as it will go.

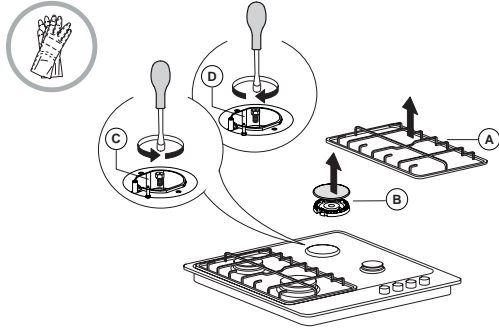
IMPORTANT: should you experience difficulty in turning the burner knobs, please contact the After Sales Service for the replacement of the burner tap if found to be faulty.

IMPORTANT: when gas cylinder is adopted, the gas cylinder or gas container must be properly settled (vertical orientation).

REPLACING THE INJECTORS (see the injector table in the Safety instructions)

⚠ This operation must be performed by a qualified technician.

- Remove grids (A).
- Extract burners (B).
- Using a socket spanner of the appropriate size unscrew the injector (C), to be replaced.
- Replace it with the injector suitable for the new type of gas.
- Re-assemble the injector in (D).



Before installing the hob, remember to affix the gas calibration plate supplied with the injectors in such a way that it covers the existing information relating to gas calibration.

COOKING TABLE

LEVEL	COOKING METHOD/TYPE (SUGGESTED FOR)	COOKING TIPS
1-2	KEEPWARM	Ideal for softening butter, gently melting chocolate in bagnemarie, thawing small portions, creaming risotto.
	GENTILE COOK	
3-4	SIMMERING	Ideal for slow-cook recipes (rice, sauces, roast, fish) using liquids (water, wine, broth), and for creaming pasta, maintaining a gentle boiling.
	STEWING	
5-6	ROASTING	Ideal for sauteing, stewing vegetables, cooking for longer period, preheating accessories, cooking until creamy.
	FRYING	
7-8	STIR FRYING	Ideal for browning, starting to cook, bringing liquids to the boil quickly, frying deep-frozen products, grilling meat and fish, maintaining a lively boil.
	GRILLING	
9	FAST HEATING	Ideal for rapidly increasing the temperature of food or for heating up liquids (water).

CLEANING AND MAINTENANCE

⚠ Disconnect the appliance from the power supply.

CLEANING THE HOB SURFACE

- All the enamelled and glass parts should be cleaned with warm water and a neutral solution.
- Stainless steel surfaces may be stained by calcareous water or aggressive detergents if left in contact for too long. Any food spills (water, sauce, coffee, etc.) should be wiped away before they dry.
- Clean with warm water and neutral detergent, and then dry with a soft cloth or chamois. Remove baked-on dirt with specific cleaners for stainless steel surfaces.

NOTE: clean stainless steel only with soft cloth or sponge.

- Do not use abrasive or corrosive products, chlorine-based cleaners or pan scourers.
- Do not use steam cleaning appliances.
- Do not use flammable products.

ADJUSTING MINIMUM GAS SETTING OF TAPS

⚠ This operation must be performed by a qualified technician.

The adjustment must be performed with the tap in a minimum gas setting position 0 (small flame).

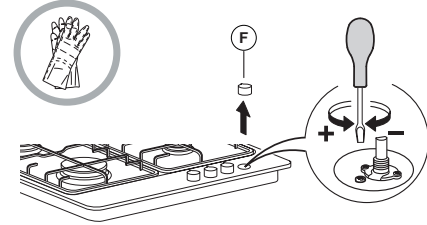
The primary air of the burners does not need to be adjusted.

To ensure that the minimum setting is correctly adjusted, remove the knob (F) and proceed as follows:

- tighten the screw to reduce the flame height (-);
- loosen the screw to increase the flame height (+).

At this stage, light up the burners and turn the knobs from maximum position

0 to minimum position 0 to check flame stability.



Upon completion of adjustment, reseal using sealing wax or an equivalent material.

- Models equipped with electrical ignition plugs and safety device require thorough cleaning of the plug end in order to ensure correct operation. Check these items frequently, and if necessary, clean them with a damp cloth. Any baked-on food should be removed with a toothpick or needle.

NOTE: to avoid damaging the electric ignition device, do not use it when the burners are not in their housing.

TROUBLESHOOTING

If the hob does not operate correctly, before calling the After-Sales Service, refer to the Troubleshooting Guide to determine the problem

1. The burner fails to ignite, or the flame is not even

Check that:

- the gas or electrical supplies are not shut off and especially that the gas supply tap is open;
- the gas cylinder (liquid gas) is not empty;
- the burner openings are not clogged;
- the plug end is not dirty;
- all the burner parts have been positioned correctly;
- there are no draughts near the hob.

2. The burner does not stay lit

Check that:

- when lighting the burner, the knob has been pressed for enough time to activate the protection device;
- the burner openings are not clogged near the thermocouple;
- the end of the safety device is not dirty;
- the minimum gas setting is correct (see relevant paragraph).

3. The containers are not stable

Check that:

- the bottom of the container is perfectly flat;
- the container is centred on the burner;
- the grids have not been exchanged or positioned incorrectly.

If after the above checks the fault still occurs, get in touch with the nearest After Sales Service.

AFTER-SALES SERVICE

In order to receive complete assistance, please register your product on www.hotpoint.eu/register.

BEFORE CALLING THE AFTER-SALES SERVICE:

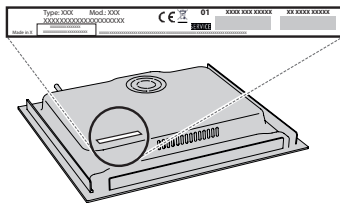
- See if you can solve the problem by yourself with the help of the **TROUBLESHOOTING** suggestions.
- Switch the appliance off and back on again to see if the fault persists.

IF AFTER THE ABOVE CHECKS THE FAULT STILL OCCURS, GET IN TOUCH WITH THE NEAREST AFTER-SALES SERVICE.

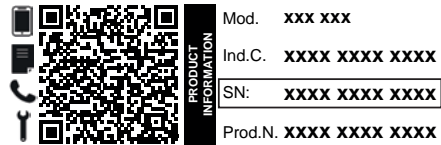
To receive assistance, call the number shown on the warranty booklet or follow the website's instructions on www.hotpoint.eu/.

When contacting our Client After-sales service, always specify:

- a brief description of the fault;
- the type and exact model of the appliance;



- the serial number (number after the word SN on the rating plate located under the appliance). The serial number is also indicated in the documentation;



- your full address;
- your telephone number.

If any repairs are required, please contact an authorized after-sales service (to guarantee that original spare parts will be used and repairs carried out correctly).

Policies, standard documentation and additional product information can be found by:

- Using QR code in your appliance;
- Visiting our website docs.hotpoint.eu;
- Alternatively, **contact our After-sales Service** (See phone number in the warranty booklet). When contacting our After-sales Service, please state the codes provided on your product's identification plate.



⚠ Juhised kehtivad riigis, mille sümbol on näha seadmel. Kui seadmel riiki tähistav sümbol puudub, tuleb uurida tehnilisi juhiseid, mis annavad vajalikku informatsiooni seadme muutmiseks, et see vastaks riigispetsiifilistele tingimustele.

⚠ **ETTEVAATUST:** Gaasil töötava küpsetusseadme kasutamine toob kaasa kuumuse, niiskuse ja põlemissaaduste sattumise seadme paiknemisruumi. Kindlustage köögi piisav õhuvahetus seadme kasutamisel: Hoidke naturaalsed õhusavad lahti või paigaldage mehhaaniline ventilatsiooniseade (mehhaaniline tõmbekapp). Seadme pikaajaline, intensiivne kasutamine võib kaasa tuua suurenenud õhuvahetuse vajaduse, näiteks akna avamise või efektiivse ventilatsioonisüsteemi (mehaanilise õhuvahetuse suurendamise) näol.

⚠ Kui selles juhendis toodud teavet täpselt ei järgita, võib see põhjustada tulekahju või plahvatuse, millega võivad kaasneda varaline kahju ja kehavigastused.

Enne seadme kasutamist lugege see ohutusjuhend hoolikalt läbi. Hoidke see hilisemaks läbivaatamiseks käepärast.

Nendes juhendites ja seadmel endal on olulised hoiatused, mida tuleb pidevalt järgida. Tootja ei vastuta, kui ohutusjuhendeid ei järgita, seadet kasutatakse valesti või määratakse sobimatud seaded.

⚠ **HOIATUS!** Kui pliidiplaat on pragunenud, ei tohi seadet kasutada, sest tekib elektrilöögi oht.

⚠ **HOIATUS!** Süttimisohu: ärge hoidke toiduvalmistamispindadel esemeid.

⚠ **ETTEVAATUST!** Küpsetamist tuleb jälgida. Lühidat küpsetamist tuleb jälgida pidevalt.

⚠ **HOIATUS!** Rasva või õliga toidu küpsemine pliidiil ilma järelevalveta võib olla ohtlik, sest tekib tuleoht. **ÄRGE** proovige kustutada tuld veega, vaid lülitage seade välja ning katke seejärel leek katte, näiteks kaane või tulekustutustekiga.

⚠ Ärge kasutage pliidiplaati töö- või abipinnana. Hoidke riided ja muud tuleohtlikud materjalid seadme eemal, kuni kõik selle osad on täielikult maha jahtunud, vastasel juhul võib tekkida tuleoht.

⚠ Väikelapsed (vanuses 0–3 aastat) tuleb seadme eemal hoida. Lapsed (vanuses 3–8 aastat) tuleb seadme eemal hoida, kui nende järele ei valvata. Lapsed alates 8 eluaastast ja piiratud füüsiliste, sensorsete või vaimsete võimetega või kogemuste või teadmisteta isikud võivad seadet kasutada ainult siis, kui nende tegevust jälgitakse või neid on seadme ohutuks kasutamiseks juhendatud ja kui nad mõistavad sellega seotud ohtusid. Jälgige, et lapsed seadmega ei mängiks. Lapsed ei tohi seadet ilma järelevalveta puhastada ega hooldada.

⚠ **ETTEVAATUST!** Kui pliidiplaadi klaas puruneb, lülitage kohe kõik põletid ja elektrilised kütteelemendid välja ning isoleerige seade elektritoitest; ärge puudutage seadme pinda; ärge kasutage seadet.

Klaasist kaas võib puruneda, kui see kuumaks läheb.

Lülitage kõik põletid ja elektriplaadid enne kaane sulgemist välja. Ärge sulgege kaant, kui põleti põleb.

⚠ **HOIATUS!** Seade ja selle ligipääsetavad osad muutuvad kasutamisel kuumaks. Vältige kütteelementide puudutamist. Nooremad kui 8 aastased lapsed tuleb seadme eemal hoida, kui nende tegevust pidevalt ei jälgita.

⚠ Toitu ei tohi enne või pärast valmistamist jätta toote peale ega sisse kauemaks kui üheks tunniks.

LUBATUD KASUTUS

⚠ **ETTEVAATUST!** Seade ei ole mõeldud kasutamiseks välise lülitusseadmega, nagu taimer või eraldi kaugjuhtimissüsteem.

⚠ Seade on ettenähtud kasutamiseks kodumajapidamises ja teistes sarnastes kohtades, nagu: kauplustes, kontorites ja teiste töökeskkondade töötajate köögi piirkondades; talumajapidamistes; hotellides, motellides, kodumajutusasutustes ja teistes sarnastes kohtades.

⚠ Muud kasutusviisid (nt ruumide soojendamine) pole lubatud.

⚠ See seade ei ole mõeldud professionaalseks kasutuseks. Ärge kasutage seadet välitingimustes.

⚠ Kasutage potte ja panne, mille põhi on sama põletitega lai või pisut laiem (vt vastavat tabelit). Veenduge, et restidel olevad potid ei ulatuks üle pliidiplaadi serva.

⚠ Restide vale kasutus võib pliidiplaati kahjustada: ärge paigutage reste tagurpidi ega lohistage neid pliidiplaadil.

Ärge laske põleti leegil ulatuda panni servast kaugemale.

Kui pliidi pind on valmistatud klaasist, ärge kasutage malmpanne, küpsetuskive, terrakotapotte ja -panne.

Ärge kasutage: soojushajuteid, nagu metallvõrk jmt. kahte põletid korraga ühe anuma kuumutamiseks (nt kala küpsetusalus).

Kui kohalikud gaasivarustuse tingimused muudavad põleti süütamise keeruliseks, on soovitatav toimingut korrata madalale leegitugevusele seatud nupuga.

Kui pliidi kohale paigaldatakse õhupuhasti, vaadake õiget vahekaugust õhupuhasti juhendist.

Restide kaitsvad kummijalad kujutavad lastele lämbumisohtu. Pärast restide eemaldamist kontrollige, et kõik jalad oleksid õigel kohtadel.

PAIGALDAMINE

⚠ Seadet tuleb paigaldada ja käsitseda kahe või enama inimesega - vigastusoht. Kasutage lahtipakkimiseks ja paigaldamiseks kaitsekindaid - sisselõikamise oht.

⚠ Elektrilised ja gaasipõhised ühendused peavad vastama kohalikele nõuetele.

⚠ Paigaldamine, k.a veevarusuts (kui olemas) ja elektriühendused, ja remonditööd tuleb teostada kvalifitseeritud tehniku poolt. Ärge parandage ega asendage mõnda seadme osa, kui seda kasutusjuhendis otseselt ei soovitata. Hoidke lapsed paigalduskohast eemal. Veenduge pärast seadme lahtipakkimist, et see ei ole transportimisel kahjustada saanud. Probleemide esinemisel võtke ühendust edasimüüja või lähima teenindusega. Kui seade on paigaldatud, tuleb pakendijäätmed (plastik, stüroplastist osad jne) paigutada lastele kättesaamatusse kohta - lämbumisoht. Enne paigaldamist tuleb seade vooluvõrgust lahti ühendada - elektrilöögi oht. Jälgige paigaldamise ajal, et seade ei kahjustaks toitejuhet - tulekahju või elektrilöögi oht. Aktiveerige seade alles siis, kui paigaldamine on lõpetatud.

⚠ **HOIATUS!** Seadmemuudatused ja paigaldusmeetod on olulised seadme ohutul ja korrektsel kasutamisel kõigis muudes riikides.

⚠ Kasutage juhises märgitud rõhuregulaatoreid seadme gaasirõhu reguleerimiseks.

⚠ Ruumis peab olema õhueraldussüsteem, mis eemaldab põlemisel tekkinud suitsu.

⚠ Ruumis peab olema ka korrektne õhuringlus, kuna hapnik on vajalik normaalseks süütetegevuseks. Õhuvool ei tohiks olla väiksem kui 2 m³/h ühe seadme jõuühiku kW kohta.

⚠ Õhuringluse süsteem võib õhkuda saada ka õuest toruga, mille sisediameeter on vähemalt 100 cm²; Toru avale ei tohi tekkida takistust.

⚠ Süsteem võib olla seadistatud kaudselt nii, et süütetegevuseks vajalik õhk saadakse kõrvalolevatest ruumidest, mis on varustatud eelpool nimetatud õhuringlustorudega. Samas ei tohi nimetatud ruumid olla magamistoas, avalikud või tuleohuga ruumid.

⚠ Vedelgaas vajub põrandale, kuna on õhust raskem gaas. Seetõttu peab LGP silindritega varustatud ruumides olema ka õhuvahetussüsteem, mis aitab lekke korral gaasil ruumist pääseda. LPG silindrid tuleb seetõttu paigaldada või hoiustada kas osaliselt või täielikult ruumides või pindadel, mis on allpool merepinda (kelder vms). Soovituslik on hoida seadmeruumis ainult kasutuses olev silinder, mis ei puutu kokku välisallikatest tekkiava võimaliku kuumusega (ahjud, tulekolded, pliidid vms), mis võiks silindri temperatuuri tõsta üle 50°C.

Kui teil peaks esinema raskusi põletinuppude keeramisega, võtke ühendust müügijärgse klienditeenindusega vigase (leiu korral) põletikraani vahetamiseks. Õhuvahetuseks ja kuumuse hajutamiseks kasutatavaid avasid ei tohi kunagi kinni katta.

⚠ Tehke mööblis kõik vajalikud sisselõiked enne seadme paigaldamist ja eemaldage puulaastud ja saepuru.

⚠ Kui seadet EI paigaldada ahju kohale, tuleb seadme all olevasse ruumi paigaldada eralduspaneel (ei ole komplektis).

GAASIÜHENDUS

⚠ **HOIATUS!** Enne paigaldamist tehke kindlaks, et kohalikud energia jaotustingimused (naturaalne maagaas või rõhkgaas) ja seadme ühilduvustingimused.

⚠ Kontrollige tabelis „Põleti ja düüsi andmed“ toodud gaasi väärtuste vastavust tootja gaasirõhuga.

⚠ **HOIATUS!** Seadme reguleerimistingimused on toodud sildil (või andmeplaadil).

⚠ **HOIATUS!** Seade pole ühendatud põlemissaaduste väljutusseadmega. See paigaldatakse ja ühendatakse praeguste paigaldusnõuete kohaselt. Erilist tähelepanu tuleb pöörata ventilatsiooni puudutavatele asjakohastele nõudmistele.

⚠ Vedelgaasi kasutamisel seadmes tuleb regulatsioonikruvi kinnitada võimalikult tihedalt.

⚠ **OLULINE!** Gaasisilindri kasutamisel tuleb see või gaasikonteiner seadistada korrektselt (vertikaalsuunas).

⚠ **HOIATUS!** Seda peab tegema kvalifitseeritud tehnik.

⚠ Kasutage gaasiühenduse jaoks ainult painduvat või jäika metalltoru.

⚠ Ühendus jäiga toruga (vask või teras). Ühendus gaasisüsteemiga tuleb luua nii, et seadmele ei rakenduks mingit pinget. Seadme varustusastmel on L-kujuline torukinnitus, millel on tihend lekete ärahoidmiseks. Tihendi peab alati välja vahedama peale toru paigaldusvahendi keeramist (tihend on koos seadmega). Gaasitoitetoru paigaldusvahend on ½ keermestatud gaasisilindri pistikühendus.

⚠ Painduva liitmiketa roostevabast terasest toru ühendamine keermestatud kinnituse külge. Gaasivarustustoru kinnitus on keermestatud 1/2 gaasi silindrikujuline isane kinnitus. Torud tuleb paigaldada nii, et nende täispikkus poleks kunagi üle 2000 mm. Pärast ühendamist kontrollige, et painduv metalltoru ei puutuks kokku liikuvate osadega ja ei oleks kokku surutud. Kasutage ainult riiklikele nõuetele vastavaid torusid ja tihendeid.

⚠ **OLULINE!** Roostevabast terasest toru kasutamisel ei tohi see paigaldamisel kokku puutuda mööbli liikuvate osadega (nt sahtel). Toru peab tarnima takistusteta alas, kus saaks kontrollida ka vajadusel seda täispikkuses.

⚠ Seade tuleks ühendada peamisesse gaasitoitetorusse või –silindrisse riiklike nõuete kohaselt. Enne igasuguse ühenduse loomist kontrollige, et seade vastaks kasutatava tootjagaasi nõuetele. Vastavuse puudumisel vaadake juhiseid paragrahvis „Erinevatele gaasitüüpidele kohandamine“.

⚠ Pärast gaasivarustuse ühendamist kontrollige seebivett kasutades võimalike lekete olemasolu. Süüdate põletid ja keerake nuppu maksimaalsest asendist 1* minimaalsesse asendisse 2*, et kontrollida leegi stabiilsust.

ERINEVATELE GAASITÜÜPIDELE KOHALDAMINE

(Selle toiminguga peab tegema kvalifitseeritud tehnik).

⚠ Seadme kohandamiseks gaasitüübiga, mis erineb ettenähtud gaasitüübist (näidatud andmesildil), järgige paigaldusjooniste järel toodud üksikasjalikke juhiseid.

ELEKTRIGA SEOTUD HOIATUSED

⚠ **OLULINE!** Voolu- ja pingetarbimise teave on toodud andmesildil.

⚠ Toitekaabel peab olema piisavalt pikk, et see ulatuks pärast seadme korpuse paigaldamist toiteallikani. Ärge tõmmake toitejuhet.

⚠ Seadet peab olema võimalik vooluvõrgust lahutada kas pistikut pesast välja tõmmates, kui pistik on juurdepääsetav, või ligipääsetava mitmepooluselise lüliti abil, mis on paigaldatud pistikupesast ülesvoolu kooskõlas riiklike ohutuseeskirjadega. Seade peab olema maandatud vastavalt riiklikele elektriõhusstandarditele.

⚠ Ärge kasutage pikendusjuhtmeid, mitmikpesi ega adaptoreid. Elektrilised komponendid ei tohi pärast paigaldamist olla kasutajale ligipääsetavad. Ärge kasutage seadet märjana ega paljajalu. Ärge kasutage seadet, kui selle toitejuhe või pistik on vigane, kui see ei tööta korralikult või kui see on kahjustatud või maha kukkunud.

⚠ Kui toitejuhe on kahjustatud, peab tootja, teenindus või muu kvalifitseeritud isik selle ohtude, näiteks elektrilöögiohu vältimiseks asendama.


PUHASTAMINE JA HOOLDUS

⚠ HOIATUS! Enne hooldustööde tegemist veenduge, et seade on välja lülitatud ja toitevõrgust lahti ühendatud; ärge kunagi kasutage aurpuhastusseadmeid, sest nendega tekib elektrilöögioht.

⚠ Ärge kasutage abrasiivseid ega söövitavaid tooteid, klooripõhiseid puhastusvahendeid ega traatnuustikuid.

⚠ Elektrilise süüteseadme kahjustamise vältimiseks ärge kasutage seda ajal, kui põletid ei asu oma kohal.

PAKKEMATERJALIDE ÄRAVISKAMINE


Pakkematerjal on 100% ringlussevõetav ja märgistatud ringlussevõtusümboliga .

Pakendi osad tuleb ära visata vastutustundlikult ja täies vastavuses kohalike jäätmekäitlusnõuetega.

KODUMASINATE JÄÄTMEKÄITLUS

See seade on toodetud taaskäideldavatest või taaskasutatavatest materjalidest. Kõrvaldage seade vastavalt kohalikele jäätmekäitluseeskirjadele. Elektriliste majapidamisseadmete jäätmekäitluse kohta saate täpsemat teavet kohalikust omavalitsusest, majapidamisseadmete kogumispunktist või poest, kust seadme ostsite. Seade on tähistatud vastavuses Euroopa Parlamendi ja nõukogu direktiiviga 2012/19/EL elektri- ja elektroonikaseadmetest tekkinud jäätmete kohta (WEEE) ja elektri- ja elektroonikaseadmetest tekkinud jäätmete 2013. aasta määrustega (uuendatud sõnastus).

Tagades seadme korrektse utiliseerimise, aitate hoida ära potentsiaalseid negatiivseid mõjusid keskkonnale ja inimeste tervisele.

Sümbol  seadmel või seadmega kaasapandud dokumentatsioonis näitab, et seadet ei tohi käidelda olmejäätmena, vaid et see tuleb toimetada lähimasse elektri- ja elektroonikaseadmete kogumispunkti.

ENERGIASÄÄSTUNIPID

Kasutage potte ja panne, mille põhja läbimõõt on võrdne keedualaga.

Kasutage ainult lamedapõhjalisi potte ja panne.

Võimaluse korral valmistage toitu kaane all.

Kiirkeedupoti abil säästate veel rohkem aega ja energiat.

VASTAVUSDEKLARATSIOON

Seade on vastavuses komisjoni määruse (EL) 66/2014 ökodisaininõuetega, energiamõjuga toodete ökodisaini ja energiateabe (muudatus) (EL-ist väljaastumine) määrustega 2019, mis on kooskõlas Euroopa standardiga EN 30-2-1.

Kasutatava gaasi tüüp	Põleti tüüp	Düüsi tähis	Nominaalne termiline vooluhulk kW	Nominaalne tarbimus	Vähendatud soojusvõimsus kW	Gaasirõhk mbar		
						min.	rat.	max.
MAAGAAS (Metaan) G20	Kiirpõleti (R)	128 B	3,00	286 l/h	0,70	17	20	25
	Poolkiire (SR)	97 A	1,65	157 l/h	0,40			
	Täiendav (AUX)	78 A	1,00	95 l/h	0,40			
VEELDATUD NAFTAGAAS (Butaan) G30	Kiirpõleti (R)	85 A	3,00	218 g/h	0,70	20	30	35
	Poolkiire (SR)	66 A	1,65	120 g/h	0,40			
	Täiendav (AUX)	50	1,00	73 g/h	0,40			
VEELDATUD NAFTAGAAS (Propaan) G31	Kiirpõleti (R)	85 A	3,00	214 g/h	0,70	20	30	35
	Poolkiire (SR)	66 A	1,65	118 g/h	0,40			
	Täiendav (AUX)	50	1,00	71 g/h	0,40			

Kasutatava gaasi tüüp	Mudeli konguratsioon 4 PÖLETI	Nominaalne termiline vooluhulk (kW)	Nominaalne kogutarbimus	Vajalik õhukogus (m ³) 1m ³ gaasi põletamiseks
G20 20 mbar	1R - 2SR - 1AUX	7,30	695 l/h	9,52
G30 30 mbar	1R - 2SR - 1AUX	7,30	531 g/h	30,94
G31 30 mbar	1R - 2SR - 1AUX	7,30	521 g/h	23,80

VOOLUVARUSTUS: 220-240 V ~ 50-60 Hz - 1,1 W

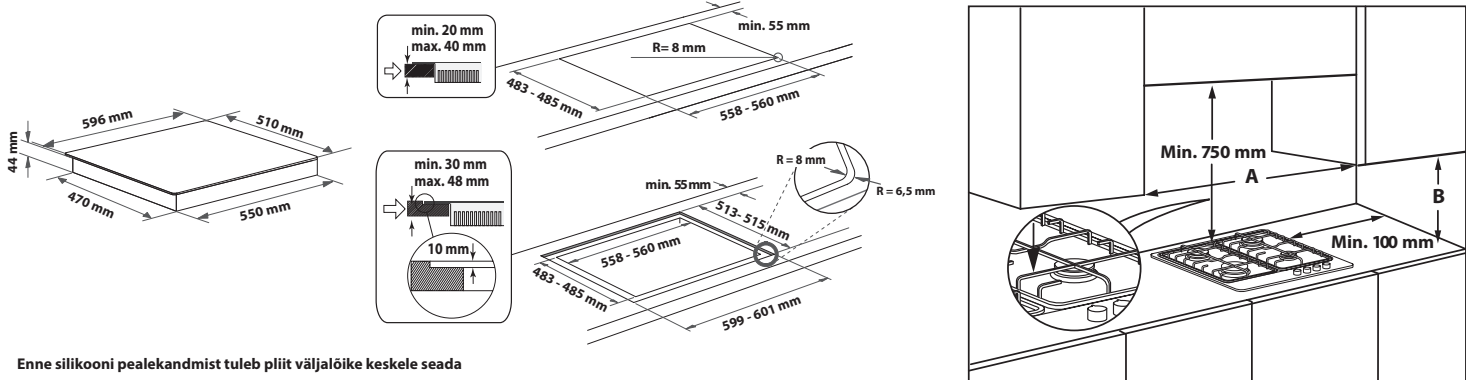


PAIGALDAMINE (KLASS 3)

PAIGALDAJALE MÕELDUD TEHNILINE TEAVE

- Kandke toote käsitsemisel, ettevalmistamisel ja paigaldamisel kaitsekindaid.
- Antud toodet saab integreerida 20 kuni 40 mm paksu tööpinna sisse, standardse paigaldusega. Masti paigaldamiseks 30 ÷ 48 mm.
- Kui pliidiplaadi all ei ole ahju, sisestage eraldustahvel, mille pindala on vähemalt võrdne tööpinna tehtud avausega. Selline eraldustahvel peab olema paigaldatud maksimaalselt 150 mm tööpinna ülemise pinna alla, kuid mitte mingil juhul pliidi põhjale lähemale kui 20 mm. Juhul, kui soovite paigaldada pliidiplaadi alla ahju, veenduge et see oleks varustatud jahutussüsteemiga.

MÕÖTMED JA KOHUSTUSLIKUD VAHEKAUGUSED



Enne silikooni pealekandmist tuleb pliit väljalõike keskele seada

MÄRKUS: kui seinakappide vaheline vahekaugus „A“ on 600 kuni 730mm, peab kõrgus „B“ olema vähemalt 530 mm. Kui seinakappide vaheline vahekaugus „A“ on suurem kui pliidiplaadi laius, peab kõrgus „B“ olema vähemalt 400 mm. Pliidi kohale tõmbekapi paigaldamisel järgige tõmbekapi juhendis toodud õiget vahekaugust.

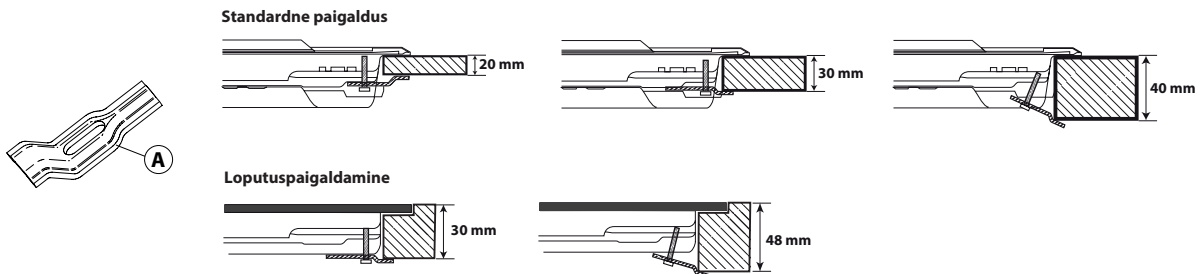
KOKKUPANEMINE

Pärast ümbrispinna puhastamist kinnitage pliidile joonisel näidatud moel tihend.

Asetage pliidiplaat juhendis märgitud mõõtmete alusel tööpinna tehtud avasse.

MÄRKUS: toitekaabel peab olema piisavalt pikk, et võimaldada ülespoole väljavõtmist.

Pliidiplaadi kinnitamiseks kasutage kaasasolevaid klambreid (A). Asetage klambrid noolega tähistatud avadesse ja kinnitage nende kruvidega vastavalt tööpinna paksusele (vt järgnevaid jooniseid).

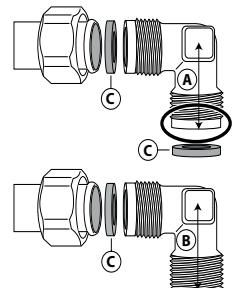


GAASIÜHENDUS

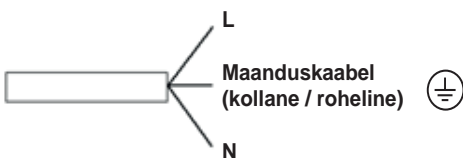
- Ühendage kaasasolev põlv (A)* või (B)* pliidi peasisselasketoruga ja asetage vahele kaasasolev seib (C) vastavalt standardile EN 549.

* Kasutage Prantsusmaal põlve (A) ja kõikide teiste sihtkohtade puhul põlve (B).

- Pärast gaasivarustuse ühendamist kontrollige seebivett kasutades võimalike lekete olemasolu. Süüdate põletid ja pöörake nupud leegi stabiilsuse kontrollimiseks maksimaalsest asendist 0 minimaalsesse asendisse 0.



ELEKTRIÜHENDUSED

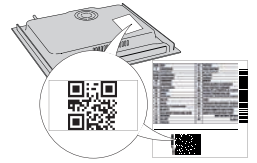
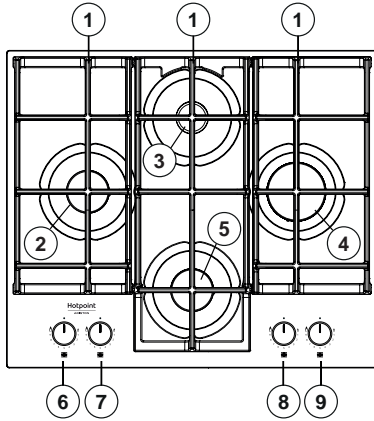


**TÄNAME, ET OSTSITE HOTPOINT TOOTE**

Parema tugiteenuse saamiseks registreerige oma seade aadressil
www.hotpoint.eu/register.



Enne seadme kasutamist lugege hoolikalt läbi
ohutusjuhend.

**TÄPSEMA TEABE SAAMISEKS
SKANNIGE OMA SEADME QR-
KOOD****TOOTE KIRJELDUS**

1. Eemaldatavad toidunõu alusrestid
2. Poolkiire põleti
3. Täiendav põletiga
4. Kiirpõleti
5. Poolkiire põleti
6. Poolkiire põleti juhtnupp
7. Poolkiire põleti juhtnupp
8. Täiendav põletiga juhtnupp
9. Kiirpõleti juhtnupp

Sümbolid

- | | | |
|------------------|---|--|
| Tume ring | ● | Kraan suletud |
| Maksimaalne leek | 🔥 | Maksimaalne ava/
etteanne ja elektrisüüde |
| Minimaalne leek | 🔥 | Minimaalne ava või
vähendatud etteanne |

**IGAPÄEVANE KASUTAMINE****KUIDAS PLIITI KASUTADA**

⚠️ Ärge laske põleti leegil ulatuda üle panni ääre.

NB! pliidi kasutamise ajal võib kogu pliidi ala muutuda kuumaks.

- Ühe põletitest süütamiseks keerake vastavat nuppu vastupäeva maksimaalse leegi asendisse.
- Põleti süütamiseks vajutage nuppu vastu juhtpaneeli.
- Kui põleti on süttinud, hoidke nuppu umbes 5-10 sekundit alla surutuna, et seade saaks korralikult tööle hakata.
- Põleti turvaseade katkestab põleti gaasivarustuse, kui leek peaks juhuslikult kustuma (ootamatu tõmbetuule, gaasivarustuse katkemise, vedeliku ülekeemise vms tõttu).
- **Nuppu ei tohi vajutada kauem kui 15 sekundit. Kui selle möödumise järel põleti ei jää põlema, oodake vähemalt üks minut enne, kui proovite uuesti süüdata.**

MÄRKUS peaks konkreetsed kohalikud gaasitarne tingimused muutama põleti süütamise raskeks, soovime korrata toimingut keerates nupu väikese leegi seadistuse peale.

Nupu vabastamisel võib leek kustuda. See tähendab, et turvaseade ei ole veel piisavalt üles soojenenud. Sellisel juhul korra toimingut ülal kirjeldatud moel. Kui leek peaks juhuslikult kustuma, lülitage põleti välja ja oodake enne uuesti sisse lülitamist vähemalt 1 minut.

PRAKTILINE NÕUANNE PÕLETITE KASUTAMISEKS

Sellel pliidil on erineva suurusega põletid. Põletite paremaks toimimiseks pidage kinni järgmistest reeglitest.

- Kasutage potte ja panne, mille põhjad on põletitega sama suured või neist kergelt suuremat (vt paremal asuvat tabelit).
- Kasutage ainult lamedapõhjalisi potte ja panne.
- Kasutage toiduvalmistamiseks õiget kogust vett ja hoidke potil kaas peal.
- Kasutage, et restil asuvad potid ei ulatuks üle pliidiplaadi serva.
- Convex-põhjaga pannide puhul (WOK) kasutage tugiresti (ei kuulu komplekti), mida võib asetada ainult kahe rõngaga põletile.
- Vältige juhuslikke lööke pliidiplaadile pannide, restide või muude köögitarvikutega.
- Ärge jätke tühja lihigrilli sisse lülitatud põletile kauemaks kui 5 minutit.

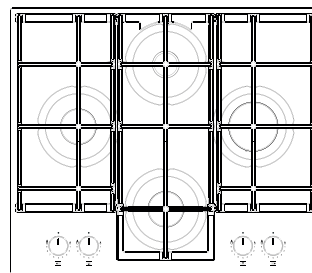
NB! restide vale kasutamine võib kahjustada pliiti: ärge asetage reste alumine külg üles poole ega lohistage neid üle pliidi.

PÕLETI	POTI Ø
Kiire	24 kuni 26 cm
Poolkiire	16 kuni 22 cm
Täiendav	8 kuni 14 cm

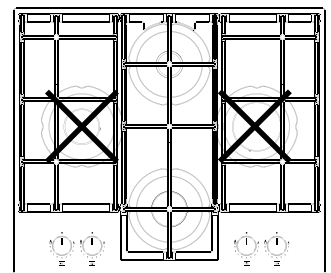
Ärge kasutage:

- Malmrestid, ääriskivid, põletatud savist potid ja pannid.
- Soojushajutid, nagu metallvõrk või mõni teine tüüp.
- Kaks põletid üheaegselt ühele kuumutatavale esemele (näiteks katlale).

Keedualale mahaläinud vedelikud võivad põhjustada klaasi purunemist.

ÕIGET ASENDIT VÕRKUDE

OK



NO/KO

REGULEERIMINE VASTAVALT ERINEVALE GAASITÜÜPIDELE

⚠️ Seda toimingut võivad teostada ainult kvalifitseeritud tehnikud.

Kui seadet kavatakse asuda kasutama nimiplaadil ja pliidiplaadi peal asuval infosildil märgitud gaasist erineva gaasiga, tuleb düüsid välja vahetada. Eemaldage infosilt ja hoidke see koos juhendiga alles.

Kasutage juhendis märgitud gaasirõhule sobivaid rõhuregulaatoreid.

- Gaasidüüsi peab vahetama garantiiremonditeenindus või kvalifitseeritud tehnik.
- Seadmega kaasas mitte olevad düüsid tuleb tellida garantiiremonditeenindusest.
- Reguleerige vastavalt kraanide miinimumseadistusele.

MÄRKUS veeldatud naftagaasi kasutamisel (G30/G31), tuleb minimaalse gaasiseade kruvi lõpuni kinni keerata.

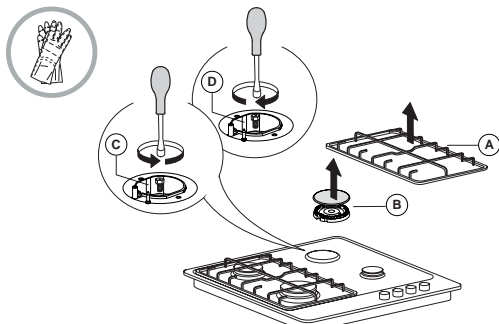
NB! kui põleti nuppude keeramine on muutunud raskeks, võtke palun ühendust garantiiremonditeenindusega, et vajaduse korral põleti kraan välja vahetada.

NB! gaasiballooni kasutamisel peab gaasiballoon või -mahuti olema korralikult oma kohale paigutatud (vertikaalses asendis).

DÜÜSIDE VAHETAMINE (vt Ohutusjuhend düüside tabelit)

⚠ Seda toimingut võivad teostada ainult kvalifitseeritud tehnikud.

- Eemaldage võred (A).
- Võtke välja põletid (B).
- Sobiva suurusega padrunvõtit kasutades kruvige lahti eemaldatav düüs (C).
- Asendage see uuele gaasitüübile sobiva düüsiga.
- Paigaldage düüs oma kohale (D).



Enne pliidi paigaldamist kinnitage kindlasti düüsidega kaasasolev gaasi kalibreerimisplaat. Kinnitage see selliselt, et see kataks kinni olemasoleva gaasi kalibreerimisega seotud teabe.

KÜPSETUSTABEL

TASE	KÜPSETUSMEETOD/-TÜÜP (SOOVITATAV KASUTUS)	SOOVITUSED KÜPSETAMISEKS
1-2	KEEPWARM (SOOJASHOID)	Ideaalne või sulatamiseks, šokolaadi aeglaseks sulatamiseks sulatuskastrulis, väiksemate koguste ülessulatamiseks, risotto koorekastme valmistamiseks.
	ÕRN KÜPSETUS	
3-4	AEGLANE KEETMINE	Ideaalne vedelikega (vesi, vein, puljong) aeglaselt valmistatavate toitude (riis, kastmed, praad, kala) jaoks, pastale koorekastme valmistamiseks, madala keemistemperatuuri hoidmiseks.
	HAUTAMINE	
5-6	RÖSTIMINE	Ideaalne rasvas pruunistamiseks, köögiviljade hautamiseks, pikaajaliseks küpsetuseks, eelkuumutamiseks, kreemjaks küpsetamiseks.
	PRAADIMINE	
7-8	KIIRPRAADIMINE	Ideaalne pruunistamiseks, küpsetamise alustamiseks, vedelike keema ajamiseks, külmutatud toodete praadimiseks, liha ja kala praadimiseks, kõrge keemistemperatuuri hoidmiseks.
	GRILLIMINE	
9	KIIRKUUMUTUS	Ideaalne toidu temperatuuri kiireks tõstmiseks või vedeliku (vesi) soojendamiseks.

PUHASTAMINE JA HOOLDAMINE

⚠ Võtke pistik seinakontaktist välja.

PLIIDIPINNA PUHASTAMINE

- Kõik emailleeritud ja klaasist osad tuleb puhastada sooja vee ja neutraalse pesulahusega.
- Kareda vee või agressiivsete pesuvahenditega pikaajalise kokkupuute tulemusel võivad roostevabast terasest pinnad määrduda. Maha läinud vesi, kaste, kohvi jms tuleb enne kuivamist ära pühkida.
- Puhastage sooja vee ja neutraalse pesuvahendiga ning kuivatage seejärel pehme lapi või seemisnahaga. Eemaldage kinni kõrbenud mustus spetsiaalsete roostevabast terasest pindadele mõeldud puhastusvahenditega.

MÄRKUS puhastage roostevaba terast ainult pehme lapi või švammiga.

- Ärge kasutage abrasiivseid või korrodeerivaid tooteid, klooripõhiseid puhastusvahendeid ega pannide küürimisvahendeid.
- Ärge kasutage auruga puhastamise seadmeid.
- Ärge kasutage süttivaid tooteid.
- Ärge jätke pliidiplaadile happelisi või leeliselisi aineid, näiteks äädikat, sinepit, soola, suhkrut või sidrunimahla.

KRAANIDE MINIMAALSE GAASISEADISTUSE REGULEERIMINE

⚠ Seda toimingut võivad teostada ainult kvalifitseeritud tehnikud.

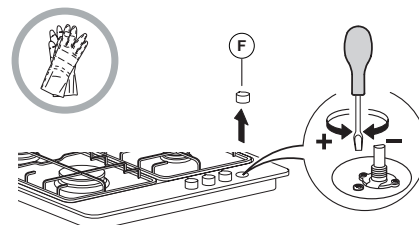
Reguleerimise ajal peab kraan olema minimaalses gaasiseadistuse asendis (väike leek).

Põletite primaarõhku ei ole vaja reguleerida.

Selleks, et minimaalse seadistus oleks õigesti reguleeritud, eemaldage nupp (F) ja tegutsuge järgmiselt:

- pingutage kruvi leegi kõrguse vähendamiseks (-);
- vabastage kruvi leegi kõrguse suurendamiseks (+);

Süüdate selles etapis põletid ja pöörake nupud leegi stabiilsuse kontrollimiseks maksimaalsest asendist minimaalsesse asendisse.



Reguleerimise lõpul tihendage uuesti tihendusvaha või sellega võrdväärse materjaliga.

PLIIDI OSADE PUHASTAMINE

- Puhastage klaasi ja emailleeritud osi ainult pehme lapi või švammiga.
- Restid, põletikatted ja põletid saab puhastamise ajaks ära võtta.
- Puhastage neid käsitsi sooja vee ja mitteabrasiivse puhastusvahendiga eemaldades kõik toidujäägid ja kontrollides, et ükski põletiaavadest ei oleks ummistunud.
- Loputage ja kuivatage.
- **Malmist reste võib pesta nõudepesumasinas. Eemaldage neilt enne nõudepesumasina alumisele riulile paigaldamist kõrbenud toit.**
- Pange põletid ja põletikatted õigesti oma vastavatesse kohtadesse tagasi.
- Restide tagasipanemisel jälgige, et toidunõu toetumisala oleks põletiga samal joonel.
- Elektriliste süüteküünalde ja turvaseadmega varustatud mudelid nõuavad korrektse töötamise tagamiseks küünla otsa põhjalikku puhastamist.

MÄRKUS: elektrilise süüteseadme kahjustamise vältimiseks ärge kasutage seda ajal, kui põletid ei asu oma kohal.

Hotpoint

ARISTON

Kui pliidiplaat ei tööta korralikult, tutvuge enne garantiiremonditeenindusse helistamist probleemi kindlakstegemiseks järgneva tõrgete kõrvaldamise juhiseiga.

1. Põleti ei sütti või leek ei ole ühtlane

Kontrollige järgmist:

- Gaasi või elektrivarustus ei ole katkestatud ja et gaasivarustuskraan on avatud.
- Gaasiballoon (vedelgaas) ei ole tühi.
- Põleti avad ei ole ummistunud.
- Süüteküünlats ei ole määrdunud.
- Kõik põleti osad on õigesti kohtades.
- Pliidiplaadi lähedal ei ole tõmbetuult.

2. Põleti ei jää põlema

Kontrollige järgmist:

- Põleti süütamisel vajutati nupule piisavalt kaua, et aktiveerida kaitseseade.
- Põleti avad ei ole termoliitmiku juures ummistunud.
- Ohutusseadme ots ei ole määrdunud.
- Minimaalne gaasiseadistus on õige (vt asjakohast jaotist).

3. Toidunõu ei ole stabiilselt

Kontrollige järgmist:

- Toidunõu põhi on täiesti sile.
- Toidunõu asub põleti keskel.
- Reste ei ole vahetatud ega valesti oma kohale paigutatud.

Kui pärast eeltoodud kontrole ei ole tõrge kadunud, pöörduge lähima garantiiremonditeeninduse poole.

MÜÜGIJÄRGNE TEENINDUS

Parema tugiteenuse saamiseks registreerige oma seade aadressil www.hotpoint.eu/register.

ENNE MÜÜGIJÄRGSESSE TEENINDUSSE HELISTAMIST:

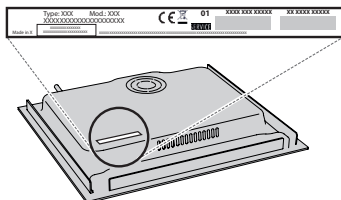
1. Proovige probleemi ise **VEAOTSINGU JUHENDIS** olevate näpunäidete abil lahendada.
2. Lülitage seade välja ja uuesti sisse, et näha, kas probleem on kõrvaldatud.

KUI VIGA JÄÄB PÜSIMA KA PÄRAST ÜLALKIRJELDATUD KONTROLLIMISI, VÕTKE ÜHENDUST LÄHIMA TEENINDUSEGA.

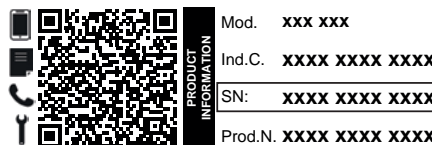
Abi saamiseks helistage garantiijuhendis toodud numbril või järgige juhiseid veebilehelt www.hotpoint.eu.

Kui võtate ühendust meie klientidele mõeldud müügijärgse teenindusega, olge valmis esitama järgmisi andmeid:

- tõrke lühike kirjeldus;
- seadme tüüp ja täpne mudel;



- seerianumber (number, mis järgneb seadme all oleval andmesildil tähisele SN). Seerianumber on toodud ka dokumentatsioonis;



- teie täielik aadress;
- teie telefoninumber.

Kui seadet on vaja ükskõik millisel viisil remontida, pöörduge volitatud teenindusse (see garanteerib originaalvaruosade kasutamise ja kvaliteetse remondi).

Poliitika, standardite dokumentatsiooni ja toote lisateabe lugemiseks tehke järgmist:

- kasutage oma seadme QR-koodi;
- külastage meie veebisaiti docs.hotpoint.eu;
- teise võimalusena **võtke ühendust meie müügijärgse teeninduskeskusega** (vt telefoninumbrit garantiikirjas). Kui võtate ühendust müügijärgse teenindusega, siis teatage neile oma toote andmeplaadil olevad koodid.



⚠ Šios instrukcijos taikomos, jei ant prietaiso yra šalies simbolis. Jei ant prietaiso simbolio nėra, būtina vadovautis techninėmis instrukcijomis, kuriose pateikiami su prietaiso modifikacijomis susiję nurodymai, kad prietaisą būtų galima naudoti atitinkamoje šalyje.

⚠ **ĮSPĖJIMAS.** Kambaryje, kuriame įrengta ir naudojama dujinė viryklė, generuojama šiluma, drėgmė ir degimo produktai. Būtina užtikrinti, kad virtuvės ventilacija būtų tinkama, ypač, kai naudojamas prietaisas: pasistenkite, kad natūralios ventiliavimo angos būtų atviros arba sumontuokite mechaninę ventiliacijos sistemą (mechaninę ištraukimo sistemą). Jei prietaisas naudojamas ilgai ir intensyviai, gali būti reikalinga papildoma ventiliacija; pavyzdžiui, būtina atidaryti langą arba naudoti efektyvesnes ventiliavimo priemones padidinant mechaninio ventiliavimo lygį (jei įmanoma).

⚠ Tiksliai nesilaikant šiame vadove pateiktos informacijos gali kilti gaisras arba įvykti sprogimas, kuris gali sukelti asmeninių sužalojimų arba sugadinti nuosavybę.

Prieš naudodami prietaisą, perskaitykite šią saugos instrukciją. Išsaugokite jas ateičiai.

Šiame vadove ir ant prietaiso pateikti svarbūs saugos perspėjimai, kuriuos būtina perskaityti ir visada laikytis. Gamintojas neprisiima atsakomybės, jei nesilaikoma šioje saugos instrukcijoje pateiktų nurodymų, prietaisas naudojamas netinkamai arba neteisingai nustatomi valdymo įtaisai.

⚠ **ĮSPĖJIMAS.** Jei kaitlentės paviršius įskilęs, prietaiso nenaudokite – kyla elektros smūgio pavojus.

⚠ **ĮSPĖJIMAS.** Ugnies pavojus: Nelaikykite daiktų ant gaminimo paviršiaus.

⚠ **ĮSPĖJIMAS.** Stebėkite visą gaminimo procesą. Negalima palikti be priežiūros net trumpo gaminimo proceso.

⚠ **ĮSPĖJIMAS.** Jei ant kaitlentės neprižiūrint verda riebalai arba aliejus, tai gali būti pavojinga – kyla gaisro pavojus. **JOKIU BŪDU** nebandykite liepsnos gesinti vandeniui; prietaisą išjunkite ir liepsną uždenkite, pavyzdžiui, dangčiu arba liepsnai gesinti skirtu audiniu.

⚠ **Kaitlentės nenaudokite kaip darbo stalo ar atramos.** Kol visi prietaiso komponentai visiškai neatvės, stenkitės neprisiliesti prie prietaiso drabužiais arba kitomis lengvai užsiliepsnojančiomis medžiagomis – kyla gaisro pavojus.

⚠ Labai maži vaikai (0–3 metų) turi būti saugiu atstumu nuo prietaiso. Vyresni vaikai (3–8 metų) turi būti saugiu atstumu nuo prietaiso, nebent visą laiką yra prižiūrimi. Šį prietaisą gali naudoti vaikai nuo 8 metų ir vyresni bei asmenys, turintys psichinį, jutiminį ar protinį neįgalumą arba tie, kuriems trūksta patirties arba žinių, jeigu jie yra prižiūrimi ir instruktuojami apie saugų prietaiso naudojimą ir supranta su tuo susijusius pavojus. Neleiskite vaikams žaisti su prietaisu. Neprižiūrimi vaikai neturėtų valyti ir prižiūrėti prietaiso.

⚠ **ĮSPĖJIMAS.** Jei sudužtų įkaitusios kaitvietės stiklas: nedelsdami išjunkite visus degiklius, elektrinius kaitinimo elementus ir atjunkite prietaisą nuo elektros maitinimo; nelieskite prietaiso paviršiaus; prietaiso nenaudokite.

Stiklinis dangtis gali įlūžti, jei jis užkaitinamas. Prieš nuleisdami dangtį išjunkite visus degiklius ir elektrines kaitvietes. Neuždarykite dangčio, jei dega degiklis.

⚠ **ĮSPĖJIMAS.** Naudojimo metu prietaisas ir pasiekiamos dalys gali įkaisti. Būkite atsargūs ir neprisilieskite prie kaitinimo elementų. Prietaisą reikia saugoti nuo jaunesnių nei 8 metų vaikų, jeigu jie nėra nuolat prižiūrimi.

⚠ Maisto negalima palikti gaminyje arba ant jo ilgiau kaip vieną valandą prieš gaminimą arba po jo.

LEISTINAS NAUDOJIMAS

⚠ **ĮSPĖJIMAS.** Prietaisas nėra pritaikytas valdyti naudojant išorinį perjungimo įtaisą, pvz., laikmatį, arba atskirą nuotolinio valdymo sistemą.

⚠ Šis prietaisas skirtas naudoti namuose ir panašiose patalpose, pavyzdžiui: parduotuvių, biurų ir kitų įstaigų darbuotojų virtuvėse; gyvenamuosiuose namuose-ūkiuose; viešbučiuose, moteliuose, nakvynės vietose, kur patiekiami pusryčiai (angl. „Bed and Breakfast“), bei kitose apgyvendinimo įstaigose.

⚠ Kitoks naudojimas draudžiamas (pvz., kambariams šildyti).

⚠ Šis prietaisas nėra skirtas profesionaliam naudojimui. Prietaiso nenaudokite lauke.

⚠ Naudokite puodus ir keptuves, kurių dugnas tokio paties pločio kaip degikliai arba šiek tiek didesnis (žr. toliau esančią lentelę). Žiūrėkite, kad ant grotelių padėti puodai neišsikištų už kaitlentės krašto.

⚠ Netinkamai naudodami groteles galite pažeisti kaitlentę: nedėkite grotelių atvirkščiai ir nestumkite jų per kaitlentę.

Stebėkite, kad degiklio liepsna nebūtų aukštesnė už prikaistuvio kraštą.

Jei kaitlentės paviršius pagamintas iš stiklo, nenaudokite ketaus kepimo plokščių, ollar akmenų, terakotos puodų ir keptuvių.

Nenaudokite: karščio difuzorių, pvz., metalinių tinklelių ir pan.; dviejų degiklių vienam indui (pvz., žuvies katilui).

Jei dėl konkrečiai vietai būdingų tiekiamų dujų ypatumų degikliai blogai užsidega, rekomenduojama pakartoti veiksmą nustačius mažos liepsnos nustatymą.

Jei virš viryklės montuojamas gartraukis, tinkamas jo atstumas bus nurodytas gartraukio instrukcijoje.

Maži vaikai gali užspringti apsauginiais guminiiais grotelių padeliais. Nuėmę groteles įsitikinkite, kad padeliai tinkamai uždėti.

ĮRENGIMAS

⚠ Prietaisą perkelti ir įrengti turi du ar daugiau žmonių. Priešingu atveju galite susižeisti. Mūvėkite apsaugines pirštines, kai išpakuojate ir montuojate prietaisą. Priešingu atveju galite įsipjauti.

⚠ Elektros ir dujų jungtys turi atitikti vietos reglamentus.

⚠ Įrengimą, taip pat prijungimo prie vandentiekio bei elektros tinklo darbus bei remontą turi atlikti kvalifikuotas technikas. Prietaisą remontuoti ar jo dalis keisti galima tik tuo atveju, jei tainurodyta naudotojo vadove. Pasirūpinkite,

kad įrengimo vietoje nebūtų vaikų. Išpakavę prietaisą, patikrinkite, ar jis nebuvo pažeistas pervežant. Jei kyla problemų, kreipkitės į prekybos atstovą arba artimiausią techninės priežiūros centrą. Įrengus prietaisą, pakuotes medžiagas (plastiką, polistireno dalis ir pan.) būtina laikyti vaikams nepasiekiamoje vietoje – kyla uždusimo pavojus. Prieš vykdant bet kokius įrengimo darbus, prietaisą būtina išjungti iš elektros tinklo – elektros smūgio pavojus. Pasirūpinkite, kad įrengiant prietaisas nepažeistų maitinimo laido – gaisro ar elektros smūgio pavojus. Prietaisą įjungti galima tik baigus įrengimo darbus.

⚠ **ĮSPĖJIMAS.** Labai svarbu tinkamai modifikuoti ir sumontuoti prietaisą, kad jį būtų galima saugiai ir tinkamai naudoti visose papildomose šalyse.

⚠ Naudokite instrukcijoje nurodytam dujų slėgiui tinkamus slėgio reguliatorius.

⚠ Patalpoje turi būti sumontuota oro ištraukimo sistema, kuri pašalintų visus degimo metu išsiskiriančius garus.

⚠ Patalpoje turi būti užtikrinta tinkama oro cirkuliacija, nes oras yra būtinas normaliam degimui. Oro srautas neturi būti mažesnis nei 2 m³/h vienam kW.

⚠ Oro cirkuliacijos sistema gali imti orą tiesiogiai iš lauko; tam gali būti naudojamas vamzdis, kurio vidinis skersmuo yra bent 100 cm²; anga turi būti apsaugota, kad jos niekas neužblokuotų.

⚠ Degimui būtina orą sistema gali tiekti ir netiesiogiai, t. y. iš gretimų patalpų, kuriose (kaip buvo nurodyta anksčiau) yra sumontuoti oro cirkuliacijos vamzdžiai. Tai negali būti gyvenamieji kambariai, miegamieji arba patalpos, kuriose didelė gaisro grėsmė.

⚠ Suskystintos naftos dujos yra sunkesnės už orą, todėl leidžiasi žemyn prie grindų. Patalpose, kuriose yra LPG talpyklos, turi būti įrengta ventiliacija, kad esant nutekėjimui dujos galėtų išeiti. Dėl šios priežasties LPG talpyklos (pusiau arba visiškai pilnos) negali būti įrengiamos arba laikomos po žeme esančiose patalpose arba sandėliuose (rūsiuose ir pan.) Patalpoje rekomenduojame turėti tik tuo metu naudojamą talpyklą ir ji turi būti laikoma atokiau nuo karštų generuojančių šaltinių (orkaičių, židinių, viryklių ir pan.), dėl kurių talpyklos temperatūra galėtų pakilti daugiau nei 50 °C.

Jei sunkiai sukiojasi degiklių rankenėlės, kreipkitės į techninės priežiūros centrą, kad defektų turinti rankenėlė būtų pakeista.

Draudžiama uždengti ventiliacijai ir šilumos išleidimui naudojamas angas.

⚠ Spintelės pjovimo darbus atlikite prieš montuodami orkaitę į baldus ir gerai nuvalykite visas medienos drožles bei pjuvenas.

⚠ Jei prietaisas nėra montuojamas virš orkaitės, po prietaisu reikia įstatyti skiriamąją plokštę (nepriedama).

DUJŲ PRIJUNGIMAS

⚠ **ĮSPĖJIMAS:** Prieš pradėdami montavimą įsitikinkite, kad vietinės skirstymo sąlygos (dujų rūšis ir dujų slėgis) ir prietaiso suregulavimai yra suderinami.

⚠ Patikrinkite, ar tiekiamų dujų slėgis atitinka lentelėje „Degiklio ir antgalio techniniai duomenys“ nurodytas reikšmes.

⚠ **ĮSPĖJIMAS:** Šio prietaiso reguliavimo sąlygos nurodomos etiketėje (arba duomenų lentelėje).

⚠ **ĮSPĖJIMAS:** Šis prietaisas neprijungtas prie dūmų ištraukimo įrenginio. Jis turi būti montuojamas ir prijungiamas laikantis galiojančių montavimo reikalavimų. Atkreipkite ypatingą dėmesį į reikalavimus, susijusius su vėdinimu.

⚠ Jei prietaisas jungiamas prie suskystintų dujų, reguliavimo varžtas turi būti užveržtas kuo tvirtiau.

⚠ **SVARBU.** Įdedamas dujų cilindras ar dujų balionas turi būti tinkamai įstatytas (vertikaliaje padėtyje).

⚠ **ĮSPĖJIMAS.** Šią procedūrą turi atlikti kvalifikuotas specialistas.

⚠ Naudokite tik dujų jungtims skirtas lankščias arba kietas metalines žarnas.

⚠ Prijungimas prie kieto vamzdelio (varinio arba plieninio) Prijungimas prie dujų sistemos turi būti atliktas taip, kad jokia prietaiso dalis nepatirtų apkrovos. Prietaisas pristatomas su reguliuojamu L formos vamzdžio detale, kuri naudojama kaip sandariklis, apsaugantis nuo nutekėjimo. Pasukus vamzdžio detalę, būtina visada pakeisti sandariklį (sandariklis pateikiamas kartu su prietaisu). Dujų tiekimo vamzdžio detalė – srieginis 1/2 dujų talpyklos cilindrinis priedas.

⚠ Lankstaus vientiso nerūdijančio plieno vamzdelio prijungimas prie srieginio priedo. Dujų tiekimo vamzdžio detalė – srieginis 1/2 dujų talpyklos cilindrinis priedas. Šie vamzdžiai turi būti prijungti taip, kad juos ištiesus jie nebūtų ilgesni nei 2000 mm. Prijungę patikrinkite, ar lankstus metalinis vamzdis nesiliečia su jokiais judančiomis dalimis ir nėra suspaustas. Naudokite tik vietinių įstatymų reikalavimus atitinkančius vamzdžius ir sandariklius.

⚠ **SVARBU.** Jei naudojama nerūdijančiojo plieno žarna, ją reikia sumontuoti taip, kad ji nesiliestų prie jokios judančios baldo dalies (pvz., stalčiaus). Ji turi būti nutiesta taip, kad nebūtų kliūčių ir, kiek įmanoma, būtų galima prieiti patikrinti ją per visą ilgį.

⚠ Prie pagrindinės dujų tiekimo sistemos arba dujų talpyklos prietaisas turi būti prijungtas taip, kaip tai numatoma vietiniuose įstatymų reikalavimuose. Prieš prijungdami įsitikinkite, ar prietaisas yra suderinamas su norima naudoti dujų tiekimo sistema. Jei ne, vadovaukitės nurodymais, kurie pateikiami skyriuje „Pritaikymas įvairių tipų dujoms“.

⚠ Po prijungimo prie dujotiekio su muilinu vandeniu patikrinkite, ar nėra nuotėkio. Uždekite degiklį, pasukite rankenėlę iš maksimalios liepsnos padėties 1* į minimalios liepsnos padėtį 2* ir patikrinkite liepsnos stabilumą.

PRITAIKYMAS ĮVAIRIŲ TIPŲ DUJOMS

(Šią procedūrą turi atlikti kvalifikuotas specialistas).

⚠ Jei prietaisą reikia pritaikyti kitokioms dujoms, nei jis buvo sukurtas (nurodoma duomenų plokštelėje), atlikite veiksmus, kurie yra nurodyti po montavimo brėžiniais.

ĮSPĖJIMAI DĖL ELEKTROS

⚠ **SVARBU.** Informacija apie srovės ir įtampos sąnaudas pateikiama duomenų lentelėje.

⚠ Prietaisą reikia sumontuoti taip, kad jį būtų galima išjungti iš elektros tinklo ištraukus maitinimo laido kištuką arba iki elektros lizdo pagal sujungimų taisyklės sumontuotu daugiapoliu jungikliu ir prietaisas turi būti įžemintas pagal nacionalinius elektros saugos standartus.

⚠ Maitinimo laidas turi būti pakankamai ilgas, kad įstaičius į korpusą, jo ilgio pakaktų norint įjungti į elektros lizdą. Netempkite prietaiso maitinimo laido.

⚠ Nenaudokite ilginamųjų laidų, tinklo lizdo skirstytuvų ir adapterių. Prietaisą įrengus, jo elektros komponentai turi būti nepasiekiami naudotojui. Prietaiso nenaudokite, jei jūsų kūnas yra drėgnas arba esate basi. Šio prietaiso nenaudokite, jei pažeistas jo maitinimo laidas arba kištukas, jei prietaisas veikia netinkamai arba jei jis yra pažeistas ar buvo numestas.

⚠ Jei maitinimo laidas pažeistas, jį tokiu pačiu turi pakeisti gamintojas, jo įgaliotas techninės priežiūros darbuotojas ar kitas kvalifikuotas asmuo – taip išvengsite elektros šoko pavojaus.


VALYMAS IR PRIEŽIŪRA

⚠ ĮSPĖJIMAS. Prieš atlikdami bet kokius techninės priežiūros darbus, prietaisą išjunkite ir atjunkite nuo elektros tinklo, kad nekiltų elektros smūgio pavojus; jokių būdu nenaudokite valymo garais įrenginių – kyla elektros smūgio pavojus.

⚠ Nenaudokite abrazyvių arba koroziją sukeliančių medžiagų, chloro valiklių ir metalinių šveistukų keptuvėms.

⚠ Kad nepažeistumėte elektros degimo įtaiso, nenaudokite jo, kai degikliai nėra įstatyti.


PAKAVIMO MEDŽIAGŲ IŠMETIMAS

Pakavimo medžiagos yra 100 % perdirbamos ir pažymėtos perdirbimo simboliu .

Todėl įvairias pakuotės medžiagas reikia išmesti labai atsakingai ir griežtai laikantis vietos institucijų reglamentų, reguliuojančių atliekų išmetimą.

BUITINIŲ PRIETAISŲ ŠALINIMAS

Šis prietaisas pagamintas naudojant perdirbamas arba pakartotinai naudojamas medžiagas. Prietaisą išmeskite paisydamis vietos atliekų išmetimo reglamentų. Dėl išsamesnės informacijos apie buitinių elektrinių prietaisų apdorojimą, utilizavimą ir perdirbimą kreipkitės į įgaliotą vietos instituciją, buitinių atliekų surinkimo įmonę arba parduotuvę, kurioje pirkote prietaisą. Šis prietaisas paženklintas pagal Europos direktyvos 2012/19/ES dėl elektros ir elektronikos įrangos atliekų (EEJA) reikalavimus ir pagal elektros ir elektronikos įrangos atliekų 2013 m. reikalavimus (pataisas). Tinkamai utilizuodami šį gaminį apsaugosite aplinką ir sveikatą nuo galimo neigiamo poveikio.

Ant prietaiso arba pridėdamų dokumentų esantis simbolis  nurodo, kad su šiuo prietaisu negalima elgtis kaip su buitinėmis šiukšlėmis. Jį reikia atiduoti į atitinkamą surinkimo skyrių, kad elektros ir elektronikos įranga būtų perdirbta.

ENERGIJOS TAUPYMO PATARIMAI

Naudokite puodus arba keptuves, kurių dugnai kaitviečių dydžio.

Naudokite tik plokščiadugnius puodus ir keptuves.

Jeigu įmanoma, puodus visada uždenkite dangčiais.

Naudokite greitpuodį ir taupykite energiją ir laiką.

ATITIKTIES DEKLARACIJA

Šis prietaisas atitinka ekologinio projektavimo reikalavimus, numatytus Europos reglamente Nr. 66/2014 ir ekologinio projektavimo reikalavimus su energija susijusiems gaminiams ir energijos informacijos (pataisa) (išėjimas iš ES) 2019 m. reglamentą, vadovaujantis Europos standartu EN 30-2-1.

Tipas Duju Naudojamas	Tipa Degikliui	Purkštuko	Nominali Šildymo Galia kW	Nominali Vartojimas	Sumažinta Šilumos Galia kW	Duju slėgis mbar		
						maži.	nomin.	didži.
GAMTINĖS DUJOS (Metanas) G20	Greitas (R)	128 B	3,00	286 l/h	0,70	17	20	25
	Pusinio greičio (SR)	97 A	1,65	157 l/h	0,40			
	Papildomas (AUX)	78 A	1,00	95 l/h	0,40			
SUSKYSTINTOS NAFTOS DUJOS (Butanas) G30	Greitas (R)	85 A	3,00	218 g/h	0,70	20	30	35
	Pusinio greičio (SR)	66 A	1,65	120 g/h	0,40			
	Papildomas (AUX)	50	1,00	73 g/h	0,40			
SUSKYSTINTOS NAFTOS DUJOS (Propanas) G31	Greitas (R)	85 A	3,00	214 g/h	0,70	20	30	35
	Pusinio greičio (SR)	66 A	1,65	118 g/h	0,40			
	Papildomas (AUX)	50	1,00	71 g/h	0,40			

Tipas Duju Naudojamas	Modelis konfigūracija 4 DEGIKLIAI	Nominali Šildymo galia (kW)	Total nominali vartojimas	Reikalingas oras (m ³) duju degimo 1m ³
G20 20 mbar	1R - 2SR - 1AUX	7,30	695 l/h	9,52
G30 30 mbar	1R - 2SR - 1AUX	7,30	531 g/h	30,94
G31 30 mbar	1R - 2SR - 1AUX	7,30	521 g/h	23,80

MAITINIMO ŠALTINIS: 220-240 V ~ 50-60 Hz - 1,1 W

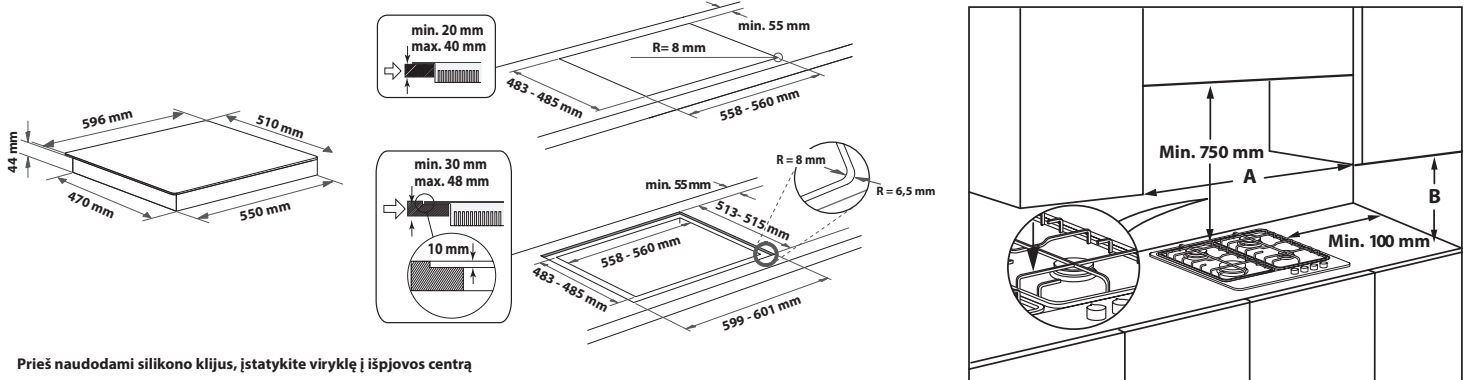


IRENGIMAS (3 KLASĖ)

TECHNINĖ INFORMACIJA MONTUOTOJUI

- Naudokite apsaugines pirštines gaminio tvarkymui, paruošimui ir montavimui.
- Šį gaminį galima įrengti 20–40 mm storio stalviršyje, su standartine instaliacija. Dėl nuleidimo įrenginį 30 ± 48 mm.
- Jei po virykle orkaitės nėra, įkiškite skiriamąją plokštę, kurios paviršiaus plotas būtų bent jau toks pat, kaip ir darbinio paviršiaus angos plotas. Ši plokštė plokštė turi būti ne didesniu negu 150 mm atstumu žemiau viršutinio darbinio paviršiaus, tačiau jokių būdu ne mažesniu negu 20 mm atstumu nuo viryklės viršaus. Jei po virykle planuojate sumontuoti orkaitę, įsitikinkite, kad joje yra įrengta aušinimo sistema.

MATMENYS IR ATSTUMAI, KURIŲ BŪTINA PAISYTI



PASTABA: jei atstumas „A“ tarp sieninių spintelių yra nuo 600mm iki 730 mm, aukštis B turi būti mažiausiai 530 mm. Jei atstumas „A“ tarp sieninių spintelių yra didesnis nei viryklės plotis, aukštis „B“ turi būti mažiausiai 400 mm. Jei virš viryklės montuojamas gartraukis, tinkamų atstumų ieškokite gartraukio instrukcijoje.

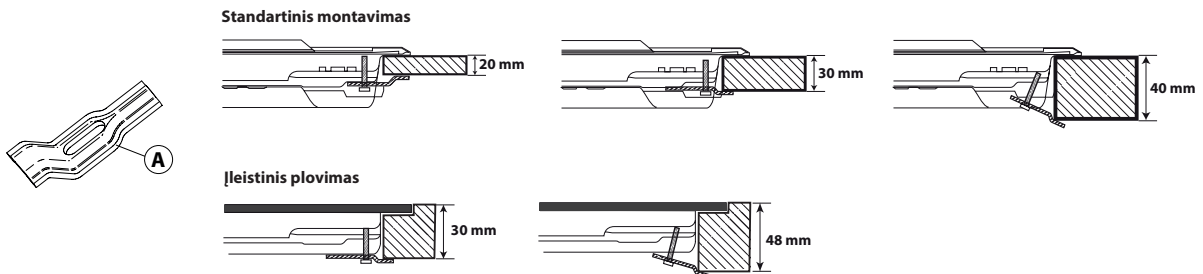
MONTAVIMAS

Nuvalę paviršių, ant viryklės uždėkite pateikiamą tarpiklį, kaip pavaizduota paveikslėlyje.

Viryklę įrenkite stalviršio išpjovoje; išpjova turi būti išpjauta pagal instrukcijose pateiktus matmenis.

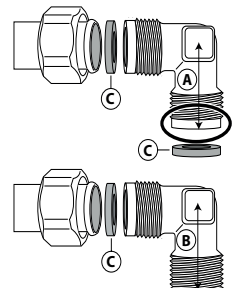
PASTABA: elektros maitinimo kabelis turi būti pakankamai ilgas, kad jį būtų galima traukti aukštyn.

Viryklei sutvirtinti naudokite su ja pateikiamus kronšteinus (A). Kronšteinus sumontuokite atitinkamose angose, kurias nurodo rodyklės, ir juos priveržkite jiems skirtais varžtais atsivėldami į stalviršio storį (žr. toliau pateiktas vertes).

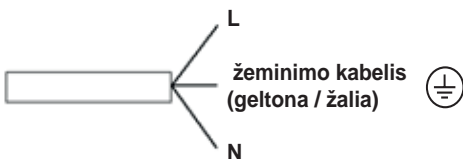


DUJŲ PRIJUNGIMAS

- Pateikiamą alkūnę (A)* arba (B)* prijunkite prie viryklės įleidžiamojo tinklo vamzdžio ir tarp jų naudokite pateikiamą tarpiklį (C) paisydami EN 549 standarto.
- * Prancūzijoje naudokite alkūnę (A), o kitose šalyse – alkūnę (B).
- Prijungę dujų tiekimą, naudodami muiluotą vandenį patikrinkite, ar nėra pratekėjimo. Uždekite degiklius ir rankenėles sukite nuo maksimalios padėties iki minimalios padėties kad patikrintumėte liepsnos stabilumą.



ELEKTROS JUNGTYS



**DĖKOJAME, KAD ĮSIGIJOTE HOTPOINT GAMINĮ**

Kad galėtumėte tinkamai pasinaudoti pagalba, užregistruokite gaminį svetainėje www.hotpoint.eu/register.

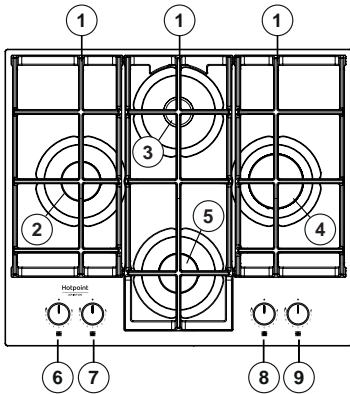


Prieš naudodamiesi prietaisu atidžiai perskaitykite saugos instrukcijas.

JEIGU REIKIA DAUGIAU INFORMACIJOS, NUSKAITYKITE QR KODĄ NAUDODAMIESI SAVO PRIETAISU



VALDYMO SKYDELIS



1. Nuimamos grotelės puodams ir keptuvėms
2. Pusinio greičio degiklis
3. Papildomas degiklis
4. Greitas degiklis
5. Pusinio greičio degiklis
6. Pusinio greičio degiklio valdymo rankenėlė
7. Pusinio greičio degiklio valdymo rankenėlė
8. Papildomo degiklio valdymo rankenėlė
9. Greitas degiklio valdymo rankenėlė

Simboliai

- | | | |
|-------------------------|---|---|
| Pritemdytas apskritimas | ● | Uždarytas čiaupas |
| Didžiausia liepsna | 🔥 | Maksimaliai atidaryta/tiekimas ir Elektrinis uždegiklis |
| Mažiausia liepsna | 🔥 | Minimaliai atidaryta arba tiekimas ribojamas |



KASDIENIS NAUDOJIMAS

KAIP NAUDOTI VIRYKLĘ

⚠️ Pasirūpinkite, kad degiklio liepsna nebūtų aukštesnė už prikaistuvio kraštą.

SVARBU: kai viryklė naudojama, gali įkaisti visas viryklės plotas.

- Norėdami uždegti vieną iš degiklių, prieš laikrodžio rodyklę pasukite atitinkamą rankenėlę ir ją nustatykite ties maksimalaus dydžio liepsnos simboliu.
- Degiklis užsidegs šią rankenėlę paspaudus į valdymo skydelį.
- Užsidegus degikliui, rankenėlę palaikykite nuspaudę apytikriai 5–10 sekundžių, kad prietaisas tinkamai veiktų.
- Jei liepsna atsitiktinai užgesta (dėl staigaus skersvėjo, dujų tiekimo pertrūkio, išsiliejusio verdančio skysčio ir pan.), šis apsauginis įtaisas atjungia dujų tiekimą.
- **Rankenėlės negalima laikyti nuspaudus ilgiau nei 15 sekundžių. Jei šiam laikui pasibaigus degiklis nedega, prieš mėgindami jį uždegti dar kartą palaukite mažiausiai vieną minutę.**

PASTABA: jei dėl konkrečiai vietai būdingų tiekiamų dujų ypatumų degikliai blogai užsidega, rekomenduojama bandyti uždegti rankenėlę nustačius ties mažos liepsnos nuostata.

Rankenėlę atleidus degiklis gali užgesti. Tai reiškia, kad apsauginis įtaisas nepakankamai įšilo. Tokiu atveju pakartokite anksčiau aprašytus veiksmus. Jei liepsna netyčia užgestų, išjunkite degiklį ir prieš degdami pakartotinai palaukite bent 1 minutę.

PRAKTIŠKI PATARIMAI DĖL DEGIKLIŲ NAUDOJIMO

Šios viryklės degiklių diametrai skirtingi. Tam, kad degikliai kuo geriau veiktų, paisykite šių taisyklių:

- Naudokite tokius puodus ir keptuves, kurių dugnas yra tokio paties pločio kaip ir degikliai arba šiek tiek didesni už juos (žr. dešinėje pusėje esančią lentelę).
- Naudokite tik plokščiadugnius puodus ir keptuves.
- Maistui gaminti naudokite tinkamą kiekį vandens ir puodą uždenkite.
- Žiūrėkite, kad ant grotelių padėti puodai neišsikištų už viryklės krašto.
- Jei prikaistuvio dugnai išgaubti (WOK), naudokite pateikiamas atramines grotelės; jas reikia dėti tik ant 4 žiedų degiklio.
- Saugokitės, kad nesutrenktumėte kaitlentės su kaistuvais, grotelėmis ir kt. virtuvės reikmenimis.
- Nepalikite tuščių kepsniams skirtų grotelių ant uždegto degiklio ilgiau nei 5 minutes.

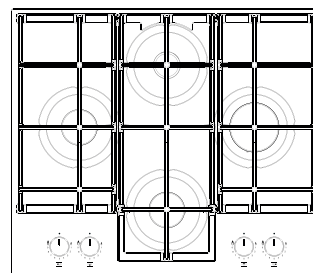
SVARBU: netinkamai naudojant grotelės, viryklę galima pažeisti: grotelių nedėkite atvirkščiai, jų ant viryklės netraukykite.

DEGIKLIS	Ø PUODO
Greitas	Nuo 24 iki 26 cm
Pusinio greičio	Nuo 16 iki 22 cm
Papildomas	Nuo 8 iki 14 cm

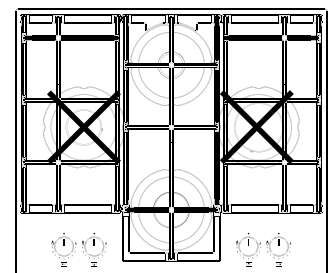
Nenaudokite:

- ketaus keptuvių, muilo akmens, terakotos prikaistuvių ir keptuvių;
- šilumos sklaidytuvų, pavyzdžiui, metalinių tinklelių ar kitokio tipo priemonių;
- dviejų degiklių vienam virduliui (pvz., žuvies virduliui).

Skysčiai išsiliejo ant karšto viryklės srityje gali sukelti stiklo žalą.

TEISINGAS GROTELĖS PADĖTIS

OK



NO/KO

PRITAIKYMAS ĮVAIRIEMS DUJŲ TIPAMS

⚠️ Šį darbą turi atlikti kvalifikuotas technikas.

Jei prietaise ketinama naudoti kito tipo dujas, o ne to tipo, kuris nurodytas duomenų plokštelėje ir informacinėje etiketėje, kuri yra ant viryklės viršaus, pakeiskite purkštukus.

Nuimkite informacinę etiketę ir ją laikykite kartu su instrukcijų knygele.

Naudokite slėgio reguliatorius, kurie tinka instrukcijoje nurodytam dujų slėgiui:

- dujų antgalių pakeitimą turi atlikti techninės priežiūros po pardavimo tarnyba arba kvalifikuotas specialistas;
- dėl antgalių, kurie nepateikiami su prietaisu, užsakymo kreipkitės techninės priežiūros po pardavimo tarnyba;
- sureguliuokite minimalų čiaupų nustatymą.

PASTABA: jei naudojamos skystos naftos dujos (G30/G31), minimalaus dujų tiekimo nustatymo varžtą būtina priveržti kuo stipriau.

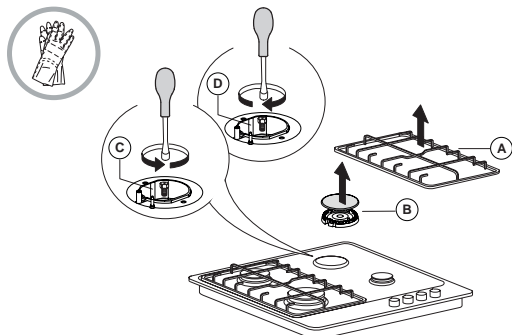
SVARBU: jei sunku pasukti degiklių rankenėles, kreipkitės į techninės priežiūros po pardavimo tarnybą, kad būtų pakeistas degiklio čiarpas (jei nustatoma, kad jis sugedęs).

SVARBU: įdedamas dujų cilindras ar dujų balionas turi būti tinkamai įstatytas (vertikaliaje padėtyje).

PURKŠTUKŲ PAKEITIMAS (žr. Saugos instrukcijų esančią purkštukų lentelę)

⚠ Šį darbą turi atlikti kvalifikuotas technikas.

- Nuimkite groteles (A).
- Ištraukite degiklius (B).
- Tinkamo dydžio lizdinis veržiarakčius išsukite purkštuką (C), kurį norite pakeisti.
- Jį pakeiskite purkštuku, tinkančiu naujam dujų tipui.
- Vėl sumontuokite purkštuką (D).



Prieš įrengdami viryklę nepamirškite pritvirtinti su purkštukais pateiktos dujų kalibravimo plokštelės; ją pritvirtinkite taip, kad plokštelė uždengtų dabar matomą informaciją apie dujų kalibravimą.

KEPIMO SĄLYGŲ LENTELĖ

LYGIS	MAISTO RUOŠIMO METODAS / TIPAS (KAM REKOMENDUOJAMAS)	MAISTO GAMINIMO PATARIMAI
1-2	IŠLAIKYTI ŠILTĄ	Puikiai tinka sviestui suminkštinti, šokoladui atsargiai lydinti specialia inde, nedideliams gabalėliams atitirpinti, rizoto kremui.
	ŠVELNUS MAISTO RUOŠIMAS	
3-4	LĒTAS VIRIMAS	Puikiai tinka lėtai ruošiamam maistui (ryžiams, padažams, mėšai, žuviai) su skysčiais (pvz., vandeniu, vynu, sultiniu, pienu) ir pastai sutirštinti, palaikant lėtą virimą.
	TROŠKINIMAS	
5-6	KEPIMAS	Idealiai tinka skrudinti, daržovėms troškinti, ruošti maistą ilgesnį laiką, priedams iš anksto pašildyti, kremui gaminti.
	KEPIMAS	
7-8	SKRUDINIMAS	Puikiai tinka skrudinimui, kepimo pradžioje, užšaldytiems produktams kepti, greitai skysčiams užvirinti, mėšai ir žuviai ant grotelių kepti, nuolatiniam virimui palaikyti.
	KEPIMAS ANT GROTELIŲ	
9	GREITAS ĮKAITINIMAS	Idealiai tinka, kai greitai padidinti maisto temperatūrą arba sušildyti skysčius (vandenį).

VALYMAS IR PRIEŽIŪRA

⚠ Nuo prietaiso atjunkite elektros maitinimą.

KAIP VALYTI VIRYKLĖS PAVIRŠIŲ

- Visas emaliuotas ir stiklines dalis valykite šiltu vandeniu ir neutraliu tirpalu.
- Kalkingas vanduo arba stipraus poveikio valomosios priemonės ant nerūdijančio plieno paviršių gali palikti dėmių, jei šis paviršius turės ilgalaikį kontaktą su tokiais skysčiais. Išsiliejusį maistą (vandenį, padažą, kavą ir kt.) reikia nuvalyti prieš jam išdžiūvant.
- Valykite šiltu vandeniu ir neutraliu plovikliu, po to nusausinkite minkštu audiniu arba zomša. Priekupusius nešvarumus valykite specialiais valikliais, skirtais valyti nerūdijančio plieno paviršius.

PASTABA: nerūdijantį plieną valykite tik minkštu audiniu arba kempinėle.

- Nenaudokite abrazyvinių ar korozinių medžiagų, chloro pagrindo valiklių ir metalinių šveistukų prikaistuvams valyti.
- Nenaudokite valymo garais prietaisų.
- Nenaudokite degių medžiagų.
- Ant viryklės nepalikite rūgšties arba šarminių medžiagų, pavyzdžiui, acto, garstyčių, druskos, cukraus ar citrinų sulčių.

KAIP SUREGULIUOTI ČIAUPŲ MINIMALŲ DUJŲ TIEKIMO NUSTATYMĄ

⚠ Šį darbą turi atlikti kvalifikuotas technikas.

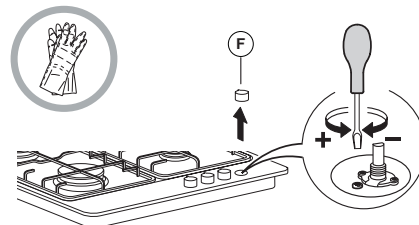
Reguliuoti reikia čiarpui esant nustatytam minimalaus dujų tiekimo nustatymo padėtyje 0 (maža liepsna).

Pirminio degiklių oro reguliuoti nereikia.

Norėdami patikrinti, ar teisingai sureguliuotas minimalus nustatymas, nuimkite rankenėlę (F) ir atlikite tokius veiksmus:

- varžtą priveržkite liepsnos aukščiui sumažinti (-);
- varžtą atveržkite liepsnos aukščiui padidinti (+).

Dabar uždekte degiklius ir rankenėles iš maksimalios padėties 0 pasukite į minimalią padėtį 0, kad patikrintumėte liepsnos stabilumą.



Baigę reguliuoti, vėl sandarinkite naudodami sandarinimo laką arba tolygią medžiagą.

Hotpoint

ARISTON

Jei viryklė blogai veikia, prieš skambindami techninės priežiūros po pardavimo tarnybai perskaitykite trikčių šalinimo vadovą problemai nustatyti.

1. Degiklis neužsidega arba liepsna netolygi

Patikrinkite:

- ar neatjungtas dujų tiekimas arba elektros maitinimas, ar neužsuktas dujų tiekimo čiaupas;
- ar netuščias dujų balionas (suskytintų dujų);
- ar neužsikimšusios degiklių angos;
- ar neužsiteršęs kištuko galas;
- ar visos degiklių dalys yra teisingoje padėtyje;
- ar arti viryklės nekyla skersvėjai.

2. Degiklis užgęsta

Patikrinkite:

- ar degiklio uždegimo metu rankenėlė laikoma nuspausta pakankamai ilgai, kad suveiktų apsauginis įtaisas;
- ar neužsikimšusios degiklių angos ties termoelementu;
- ar neužsiteršė apsauginio įtaiso galas;
- ar teisingai nustatyta minimalaus dujų tiekimo nuostata (skaitykite atitinkamą skyrių).

3. Indai stovi nestabiliai

Patikrinkite:

- ar puodo dugnas visiškai lygus;
- ar puodas stovi degiklio centre;
- ar nesukeistos grotelės, ar jos pastatytos teisingoje padėtyje.

Jei po aukščiau minėtų patikrinimų problemos nėra išspręstos, kreipkitės į artimiausią techninės priežiūros po pardavimo tarnybą.

TECHNINĖS PRIEŽIŪROS CENTRAS

Kad galėtumėte tinkamai pasinaudoti pagalba, užregistruokite gaminį svetainėje www.hotpoint.eu/register.

PRIEŠ KREIPDAMIESI Į TECHNINĖS PRIEŽIŪROS CENTRĄ:

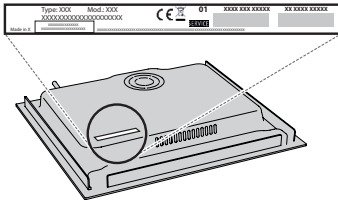
1. Vadovaudamiesi skyriaus **TRIKČIŲ ŠALINIMAS** patarimais pamėginkite problemą pašalinti patys.
2. Prietaisą išjunkite ir vėl įjunkite, kad patikrintumėte, ar triktis nepašalinama.

JEI ATLIKUS ŠIAS PATIKRAS TRIKTIS NEPAŠALINAMA, KREIPKITĖS Į ARTIMIAUSIĄ TECHNINĖS PRIEŽIŪROS CENTRĄ.

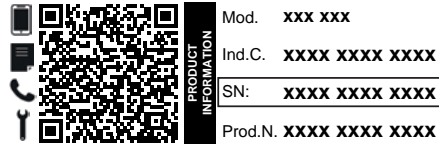
Jei reikia pagalbos, skambinkite garantiniame lankstinuke nurodytu numeriu arba vykdykite nurodymus, pateikiamus svetainėje www.hotpoint.eu.

Kreipdamiesi į techninės priežiūros centrą visada nurodykite:

- trumpą gedimo aprašymą;
- prietaiso tipą ir tikslų modelį;



- serijos numeris (numeris nurodomas po žodžio SN techninių duomenų plokštelėje). Serijos numeris taip pat yra nurodytas dokumentacijoje;



- savo tikslų adresą;
- savo telefono numerį.

Jei reikalingas remontas, kreipkitės į įgaliotą techninės priežiūros centrą (tada turėsite garantiją, jog bus naudojamos originalios atsarginės dalys ir remontas bus atliktas tinkamai).

Politiką, standartinę dokumentaciją ir papildomą informaciją galite rasti atlikdami toliau nurodytus veiksmus:

- Naudodami QR kodą ant jūsų prietaiso;
- Apsilankę mūsų svetainėje docs.hotpoint.eu;
- Arba **kreipdamiesi į techninės priežiūros centrą** (žr. telefono numerius garantijos lankstinuke). Kreipiantis į techninės priežiūros centrą būtina pateikti gaminio duomenų plokštelėje nurodytus kodus.



DROŠĪBAS NORĀDĪJUMI

NOTEIKTI JĀIZLASA UN JĀIEVĒRO

⚠ Šie norādījumi ir spēkā, ja uz ierīces redzams valsts simbols. Ja uz ierīces simbola nav, jāapskata tehniskie norādījumi, kuros sniegtas nepieciešamās instrukcijas attiecībā uz ierīces modificēšanu atbilstoši valstī noteiktajiem lietošanas nosacījumiem.

⚠ **UZMANĪBU:** Gāzes ierīces ēdiena gatavošanai lietošanas rezultātā telpā, kurā tā uzstādīta, rodas siltums, mitrums un degšanas produkti. Nodrošiniet, ka virtuve ierīces lietošanas laikā tiek labi ventilēta: turiet dabiskās ventilācijas atveres atvērtas vai uzstādiet mehāniskās ventilācijas ierīci (mehānisko velkmes ventilatoru). Ilgstoši intensīvi lietojot šo ierīci, var būt nepieciešama papildu ventilācija, piemēram, atverot logu, vai efektīvāka ventilācija, palielinot jaudu mehāniskajai ventilācijai, ja tāda ir.

⚠ Ja netiek ievērota šajā rokasgrāmatā sniegtā informācija, var izcelties ugunsgrēks vai sprādziens, kas var izraisīt bojājumus īpašumam vai miesas bojājumus.

Pirms ierīces lietošanas izlasiet šos drošības norādījumus. Saglabājiet šos norādījumus, lai vēlāk varētu tos pārlasīt.

Šī rokasgrāmata un pati ierīce sniedz svarīgus drošības brīdinājumus, kas ir jāizlasa un vienmēr jāievēro. Ražotājs neuzņemas atbildību par bojājumiem, kas radušies nepiemērotas lietošanas vai nepareizu vadības elementu iestāšanās dēļ.

⚠ **BRĪDINĀJUMS!** Neizmantojiet ierīci, ja plīts virsma ir saplaisājusi – pastāv strāvas triecienu risks.

⚠ **BRĪDINĀJUMS!** Aizdeģšanās risks: neģlabājiet piederumus uz gatavošanas virsmām.

⚠ **UZMANĪBU!** Gatavošanas process ir jāuzrauga. Neilgs gatavošanas process ir nepārtraukti jāuzrauga.

⚠ **BRĪDINĀJUMS!** Gatavošana uz plīts virsmas bez uzraudzības, izmantojot taukvielas vai eļļu, var būt bīstama – pastāv aizdegšanās risks. **NEKĀDĀ GADĪJUMĀ** nedzēsiet uguni ar ūdeni, bet izslēdziet ierīci un aplājiat liesmu, piemēram, ar vāku vai ugunsdzēsības segu.

⚠ Neizmantojiet plīti kā darbvirsmu vai atbalstu. Neļaujiet ierīcei saskarties ar audumu vai citiem viegli uzliesmojošiem materiāliem, kamēr visas detaļas nav pilnīgi atdzisušas – pastāv aizdegšanās risks.

⚠ Ļoti maziem bērniem (0–3 gadi) jāatrodas drošā attālumā no ierīces. Maziem bērniem (3–8 gadi) jāatrodas drošā attālumā no ierīces, ja vien tie netiek nepārtraukti uzraudzīti. Bērni no 8 gadu vecuma un personas ar fiziskiem, jušanas vai garīgiem traucējumiem vai bez pieredzes un zināšanām var lietot šo ierīci, ja tās tiek uzraudzītas vai instruētas par ierīces drošu lietošanu un izprot ar to saistītos riskus. Bērni nedrīkst spēlēt ar ierīci. Ierīces tīrīšanu un apkopi nedrīkst veikt bērni bez pieaugušo uzraudzības.

⚠ **UZMANĪBU!** Ja saplīst plīts sildvirsmas stikls: nekavējoties izslēdziet visus degļus un visus elektriskos sildelementus, kā arī izolējiet ierīci no barošanas avota; neskarieties pie ierīces virsmas; neizmantojiet ierīci.

Stikla vāks var saplīst, ja tas ir sakarsis. Pirms vāka aizvēršanas izslēdziet visus degļus un elektriskās sildvirsmas. Neaizveriet vāku, kad ir iedegts deglis.

⚠ **BRĪDINĀJUMS!** Lietošanas laikā ierīce un tās atklātās daļas uzkarst. Nepieskarieties sildelementiem. Bērniem līdz 8 gadu vecumam ir jāatrodas drošā attālumā no ierīces, ja vien tie netiek nepārtraukti uzraudzīti.

⚠ Ēdienu nedrīkst atstāt izstrādājumā vai uz tā ilgāk par vienu stundu pirms vai pēc gatavošanas.

ATLAUTĀ LIETOŠANA

⚠ **UZMANĪBU!** Ierīci nav paredzēts darbināt ar ārēju slēdža ierīci, piemēram, taimeri vai atsevišķu tālvadības sistēmu.

⚠ Šo ierīci ir paredzēts izmantot sadzīvē un tamlīdzīgi, piemēram: personāla virtuves zonās veikalos, birojos un citās darba vidēs; zemnieku saimniecībās; klientu istabās viesnīcās, moteļos, pansijās un citās naktsmītnēs.

⚠ Neizmantojiet to citiem nolūkiem (piemēram, telpu apsildei).

⚠ Šī ierīce nav paredzēta profesionālai lietošanai. Neizmantojiet ierīci ārpus telpām.

⚠ Izmantojiet katlus un pannas, kuru pamatnes platums ir tāds pats kā degļiem vai nedaudz lielāks (skatiet attiecīgo tabulu). Raugieties, lai uz restēm novietotie katli neizvirzītos pāri plīts malai.

⚠ Nepareiza režģu izmantošana var izraisīt plīts bojājumus: nenovietojiet režģus otrādi un nebīdiat tos pāri plītij.

Neļaujiet degļa liesmai pārsniegt pannas malu.

Ja plīts virsma ir no stikla materiāla, neizmantojiet čuguna pannas, akmens pamatnes, terakotas katlus un pannas.

Neizmantojiet: siltuma izkļiedētājus, piemēram, metāliskus sietus un citu veidu izstrādājumus; vienlaicīgi divus degļus vienam traukam (piemēram, zivju katlam).

Ja konkrēti piegādātās gāzes vietējie aspekti apgrūtina degļa aizdegšanu, ieteicams atkārtot darbību, pagriežot slēdži uz iestatījumu ar mazu liesmu. Ja tvaika nosūcējs ir uzstādīts virs gatavošanas virsmas, lūdzu, skatiet informāciju par piemērotu attālumu tvaika nosūcēja instrukcijās.

Režģu gumijas aizsargelementi rada aizrīšanās risku maziem bērniem. Pēc režģu noņemšanas, lūdzu, pārlicinieties, vai visi aizsargelementi ir pareizi uzstādīti.

MONTĀŽA

⚠ Ierīces pārvietošana un uzstādīšana jāveic vismaz diviem cilvēkiem – pastāv savainojumu risks. Izmantojiet aizsargcimdus visos izsaiņošanas un uzstādīšanas darbos – pastāv sagriešanās risks.

⚠ Elektriķas un gāzes savienojumiem ir jāatbilst vietējiem normatīviem.

⚠ Montāžu, tajā skaitā ūdens sistēmas (ja tāda ir) un elektrosavienojumu uzstādīšanu, un remontu drīkst veikt tikai kvalificēts tehniķis. Neļaujiet un nemainiet ierīces detaļas, ja vien tas nav tieši norādīts lietotāja rokasgrāmatā. Neļaujiet bērniem būt tuvumā ierīces montāžas vietā. Pēc ierīces izsaiņošanas pārlicinieties, vai pārvadāšanas laikā tā nav bojāta. Problēmu gadījumā sazinieties ar izplatītāju vai tuvāko pēcpārdošanas apkopes centru. Pēc ierīces montāžas novietojiet iepakojuma materiālus (plastmasas un polistirola daļas) bērniem nepieejamā vietā - pastāv

nosmakšanas risks. Pirms ierīces uzstādīšanas tai jābūt atvienotai no elektrotīkla - pastāv strāvas trieciena risks. Uzstādīšanas laikā sekojiet, lai ierīce nesabojātu barošanas kabeli - pastāv aizdegšanās un strāvas trieciena risks. Ieslēdziet ierīci tikai tad, kad montāža ir pabeigta.

⚠ **BRĪDINĀJUMS!** Ierīces modificēšana un montāžas metode ir ārkārtīgi būtiska, lai droši un pareizi izmantotu šo ierīci visās papildus valstīs.

⚠ Izmantojiet instrukcijā norādītajam gāzes spiedienam piemērotus spiediena regulatorus.

⚠ Telpai jābūt aprīkotas ar gaisa velces sistēmu, kas izvada visus degšanas dūmus.

⚠ Telpā jābūt atbilstoši gaisa cirkulācijai, jo degšanai ir nepieciešams skābeklis. Gaisa plūsmi jābūt ne mazākai par 2 m³/h uz katru uzstādītās jaudas kW.

⚠ Gaisa cirkulācijas sistēma var ņemt gaisu tieši no ārpuses ar cauruli, kuras iekšējais šķērsriezums ir vismaz 100 cm²; atvērums jābūt nodrošinātam pret jebkāda veida nosprostojumiem.

⚠ Sistēma var netieši nodrošināt degšanai vajadzīgo gaisu, proti, no blakus esošajām telpām, kas aprīkotas ar iepriekš minētajām gaisa cirkulācijas caurulēm. Taču šī telpas nedrīkst būt koplietošanas telpas, guļamistabas vai telpas, kuras rada ugunsgrēka briesmas.

⚠ Sašķidrinātā naftas gāze nogulstas uz grīdas, jo tā ir smagāka par gaisu. Tāpēc telpas, kurās ir sašķidrinātās naftas gāzes baloni, arī jāaprīko ar ventilācijas atverēm, lai ļautu gāzei izplūst, rodoties noplūdei. Tāpēc sašķidrinātās gāzes balonus, gan pustukšus, gan pilnus, neatkarīgi no tā, vai tie atrodas telpās vai uzglabāšanas zonās, kas atrodas zem grīdas līmeņa (pagrabos u.c.). Telpā ieteicams turēt tikai to balonu, kurš pašlaik tiek izmantots, tam jābūt novietotam tā, lai tas nebūtu pakļauts karstuma iedarbībai, ko rada ārēji avoti (krāsnis, kamīni, plītis u.c.), kas varētu paaugstināt balona temperatūru virs 50 °C.

Ja degļu pogu pagriešana ir apgrūtināta, lūdzu, sazinieties ar pēcpalīdzības apkopes dienestu par degļa krāna nomaiņu, ja konstatēts, ka tas ir bojāts. Nekādā gadījumā nedrīkst neseģt atvērumus, kurus izmanto ventilācijai un karstuma izkliedešanai.

⚠ Uzmanīgi veiciet skapja zāģēšanas darbus pirms ierīces uzstādīšanas vietā un rūpīgi noslaukiet visas koka skaidas un zāģskaidas.

⚠ Ja ierīci neuzstāda virs krāsns, atdalošais panelis (nav iekļauts komplektācijā) jāuzstāda nodalījumā zem ierīces.

GĀZES PIESLĒGUMS

⚠ **BRĪDINĀJUMS:** Pirms uzstādīšanas pārliecinieties, ka vietējie gāzes piegādes apstākļi (gāzes veids un gāzes spiediens) un ierīces regulējums ir saderīgi.

⚠ Pārbaudiet, vai gāzes padeves spiediens ir saderīgs ar vērtībām, kas norādītas tabulā "Degļa un sprauslas specifiskācija".

⚠ **BRĪDINĀJUMS:** Šīs ierīces regulēšanas nosacījumi norādīti uz etiķetes (vai datu plāksnītes).

⚠ **BRĪDINĀJUMS:** Šī ierīce nav savienota ar degšanas produktu nosūkšanas ierīci. Tā ir jāuzstāda un jāpievieno atbilstoši spēkā esošajiem uzstādīšanas noteikumiem. Īpaša uzmanība jāpievērš saistītajām prasībām par ventilāciju.

⚠ Ja ierīcēm pievienota sašķidrinātā gāze, regulēšanas skrūve jāieskrūvē pēc iespējas ciešāk.

⚠ **SVARĪGI!** Ja tiek izmantots gāzes balons, balons vai gāzes tvertne pareizi jāuzstāda (vertikāli).

⚠ **BRĪDINĀJUMS!** Šī darbība jāveic kvalificētam tehniskajam speciālistam.

⚠ Gāzes savienojumam izmantojiet tikai elastīgu vai neelastīgu metāla šļūteni.

⚠ Savienojums ar nelokāmu cauruli (vara vai tērauda) Savienojums ar gāzes sistēmu jāizveido tā, lai uz ierīci netiktu izdarīta nekāda slodze. Uz ierīces padeves paliktņa ir pielāgojams L veida caurules savienotājelements, un tas ir aprīkots ar blīvi, lai novērstu noplūdes. Blīvējums vienmēr jānomaina pēc cauruļu savienotājelementa pagriešanas (blīvējums iekļauts ierīces komplektācijā). Gāzes padeves savienotājelements ir 1/2 gāzes stiprinājums ar ārēju vītņi.

⚠ Elastīgas tērauda caurules bez savienotājelementiem pievienošana vītņveida stiprinājumam Gāzes padeves savienotājelements ir 1/2 gāzes stiprinājums ar ārēju vītņi. Šīs caurules jāuzstāda tā, lai tās, pilnīgi nostieptas, nebūtu garākas par 2000 mm. Kad savienojums ir izveidots, pārliecinieties, ka elastīgā metāla caurule nepieskaras nekādām kustīgajām daļām un netiek saspiesta. Izmantojiet tikai valsts noteikumiem atbilstošās caurules un blīvējumu.

⚠ **SVARĪGI!** Izmantojot nerūsējošu tērauda šļūteni, tā jāuzstāda tā, lai neaizskartu nevienu mēbeļu kustīgā daļa (piemēram, atvilktni). Tā jāizvieto zonā, kurā nav šķēršļu un kurā to var pārbaudīt visā garumā.

⚠ Ierīce jāpievieno gāzes padevei vai gāzes balonam atbilstoši aktuālajiem valsts noteikumiem. Pirms veikt savienojumu, pārliecinieties, ka ierīce ir saderīga ar to gāzes padeves veidu, ko vēlaties izmantot. Ja tā nav, rīkojieties atbilstoši instrukcijai, kas norādīta sadaļā "Pielāgošana dažādiem gāzes veidiem".

⚠ Pēc pievienošanas gāzes padevei ar ziepjūdeni pārbaudiet, vai nav noplūžu. Ieslēdziet degļus un pagrieziet slēdžus no maksimālās pozīcijas 1* līdz minimālajai 2*, lai pārbaudītu liesmas stabilitāti.

PIELĀGOŠANA DAŽĀDIEM GĀZES VEIDIEM
(Šī darbība jāveic kvalificētam tehniskajam speciālistam).

⚠ Lai pielāgotu ierīci gāzes veidam, kas atšķiras no veida, kuram tā tika ražota (norādīts nominālo parametru plāksnītē), veiciet attiecīgās darbības, kas norādītas pēc uzstādīšanas ilustrācijām.

ELEKTRISKIE BRĪDINĀJUMI

⚠ **SVARĪGI!** Informācija par strāvas un sprieguma patēriņu ir sniegta nominālo parametru plāksnītē.

⚠ Elektriķiem jābūt pietiekami garam, lai jau iebūvētu ierīci varētu ērti pievienot elektrotīklam. Nevelciet aiz ierīces elektroapgādes kabeļa.

⚠ Jānodrošina iespēja atvienot ierīci no strāvas padeves, to vienkārši atslēdzot, ja pieejama kontaktdakša, vai ar divpolu slēdzi, kas uzstādīts pirms kontaktlīdzes pēc elektroinstalācijas noteikumiem, un ierīcei jābūt zemītai atbilstoši valsts elektrības drošības standartiem.

⚠ Neizmantojiet pagarinātājus, vairāku spraudņu kontaktlīdzes un adapterus. Pēc ierīces uzstādīšanas tās

elektriskie komponenti nedrīkst būt pieejami. Neizmantojiet ierīci ar mitrām rokām vai basām kājām. Nelietojiet šo ierīci, ja bojāts tās strāvas kabelis vai kontaktdakša, ja tā nedarbojas pareizi, ir bojāta vai tikusi nomesta.

⚠ Ja padeves kabelis ir bojāts, tas jāaizvieto ar identisku, nomaiņa jāveic ražotājam, tā servisa aģentam vai līdzīgas kvalifikācijas personai, lai izvairītos no bīstamības – strāvas trieciena riska.


TĪRĪŠANA UN APKOPE

⚠ **BRĪDINĀJUMS!** Pirms apkopes darbību veikšanas pārliecinieties, vai ierīce ir izslēgta un atvienota no strāvas padeves; nekādā gadījumā nelietojiet tvaika tīrīšanas aprīkojumu – pastāv strāvas trieciena risks.

⚠ Nelietojiet abrazīvus vai kodīgus izstrādājumus, tīrīšanas līdzekļus uz hlora bāzes vai pannu tīrīšanas piederumus.

⚠ Lai nesabojātu elektriskās aizdedzes ierīci, neizmantojiet to, ja degļi neatrodas tiem paredzētajās vietās.

IEPAKOJUMA MATERIĀLU UTILIZĀCIJA


Iepakojuma materiāls ir 100 % pārstrādājams un tiek apzīmēts ar otrreizējās pārstrādes simbolu .

Tādēļ dažādas iepakojuma daļas jāutilizē atbildīgi un saskaņā ar vietējiem atkritumu apsaimniekošanas noteikumiem.

MĀJSAIMNIECĪBAS IERĪČU UTILIZĀCIJA

Šī ierīce ir izgatavota no pārstrādājamiem un atkārtoti izmantojamiem materiāliem. Utilizējiet to saskaņā ar vietējiem atkritumu apsaimniekošanas noteikumiem. Plašāku informāciju par lietotu mājaisaimniecības ierīču apstrādi, atjaunošanu un pārstrādi varat iegūt vietējās varas iestādes, pie atkritumu savākšanas pakalpojumu sniedzējiem vai veikalā, kur ierīci iegādājāties. Šī ierīce ir marķēta saskaņā ar Eiropas Savienības Direktīvu 2012/19/ES par elektrisko un elektronisko iekārtu atkritumiem (EEIA) un saskaņā ar 2013. gada Regulu par elektrisko un elektronisko iekārtu atkritumiem (un tās grozījumiem).

Nodrošinot šīs ierīces pareizu utilizāciju, varat novērst iespējamo negatīvo vides un cilvēka veselības apdraudējumu.

 simbols uz izstrādājuma vai komplektācijā iekļautajiem dokumentiem norāda, ka šo ierīci nevar izmest sadzīves atkritumos, bet tā ir jānodod pārstrādei elektrisko un elektronisko ierīču savākšanas centrā.

IETEIKUMI ENERĢIJAS TAUPIŠANAI

Izmantot katlus un pannas, kuru pamatnes platums ir vienāds ar gatavošanas zonu.

Izmantot tikai katlus un pannas ar plakanām pamatnēm.

Ja iespējams, gatavošanas laikā izmantot katlu vākus.

Izmantojiet ātrvārāmo katlu, lai ietaupītu vēl vairāk enerģijas un laika.

PAZIŅOJUMS PAR ATBILSTĪBAS DEKLARĀCIJU

Šī ierīce atbilst Eiropas Regulas 66/2014 ekodizaina prasībām un 2019. gada noteikumiem saistībā ar ekodizaina prasībām ar enerģiju saistītiem ražojumiem un enerģijas informāciju (grozījums) (ES izvešana) saskaņā ar Eiropas standartu EN 30-2-1.

Izmantotās gāzes veids	Degļa veids	Inžektora marķējums	Siltuma plūsmas nominālais ātrums kW	Aprēķinātais patēriņš	Samazinātas kapacitātes siltums kW	Gāzes spiediens mbar		
						min.	rat.	max.
DABASGĀZE (Metans) G20	Intensitātes (R)	128 B	3,00	286 l/h	0,70	17	20	25
	Vidējas intensitātes (SR)	97 A	1,65	157 l/h	0,40			
	Papildu (AUX)	78 A	1,00	95 l/h	0,40			
SAŠĶIDRINĀTĀ NAFTAS GĀZE (Butāns) G30	Intensitātes (R)	85 A	3,00	218 g/h	0,70	20	30	35
	Vidējas intensitātes (SR)	66 A	1,65	120 g/h	0,40			
	Papildu (AUX)	50	1,00	73 g/h	0,40			
SAŠĶIDRINĀTĀ NAFTAS GĀZE (Propāns) G31	Intensitātes (R)	85 A	3,00	214 g/h	0,70	20	30	35
	Vidējas intensitātes (SR)	66 A	1,65	118 g/h	0,40			
	Papildu (AUX)	50	1,00	71 g/h	0,40			

Izmantotās gāzes veids	Modeļa konfigurācija 4 DEĢĻA	Siltuma plūsmas nominālais ātrums (kW)	Kopējais nominālais patēriņš	Nepieciešamais gaiss (m ³) gāzes degšanai 1m ³
G20 20 mbar	1R - 2SR - 1AUX	7,30	695 l/h	9,52
G30 30 mbar	1R - 2SR - 1AUX	7,30	531 g/h	30,94
G31 30 mbar	1R - 2SR - 1AUX	7,30	521 g/h	23,80

ELEKTROAPGĀDE: 220-240 V ~ 50-60 Hz - 1,1 W

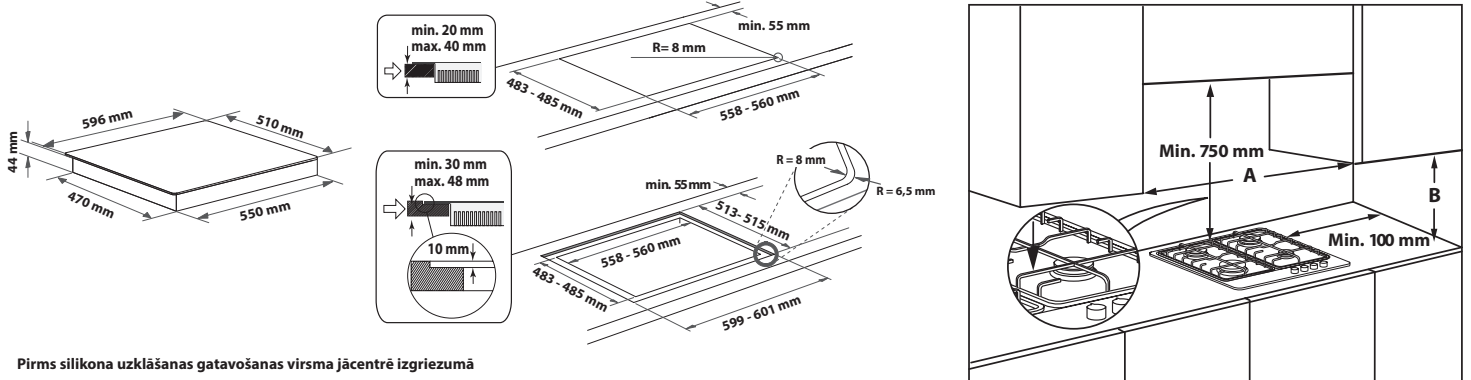


UZSTĀDĪŠANA (3 KLASE)

TEHNISKA INFORMĀCIJA PLĪTS VIRSMAS UZSTĀDĪTĀJAM

- Apkopjot, sagatavojot un uzstādot izstrādājumu, lietojiet aizsargcimdus.
- Šo ierīci var iebūvēt virtuves darbvirsnā, kas ir 20–40 mm bieza, ar standarta instalāciju. Flush uzstādīšanai 30 ÷ 48 mm.
- Ja zem šīs plīts virsmas nav cepeškrāsns, ievietojiet starppaneli, kura virsma ir vismaz tikpat liela, kā darbvirsmas atvērums. Šis panelis jānovieto ne zemāk par 150 mm no augšējās darbvirsmas, taču ne tuvāk par 20 mm no šīs plīts virsmas apakšējās virsmas. Ja zem plīts virsmas ir plānots uzstādīt cepeškrāsni, tai ir jābūt aprīkotai ar dzesēšanas sistēmu.

IZMĒRI UN ATTĀLUMI, KAS JĀIEVĒRO



PIEZĪME: Ja atstatums „A” starp sienas nodalījumiem ir 600 mm un 730 mm, minimālajam augstumam „B” ir jābūt vismaz 530 mm. Ja atstatums „A” starp sienas nodalījumiem pārsniedz plīts virsmas platumu, minimālajam augstumam „B” ir jābūt vismaz 400 mm. Ja virs plīts virsmas tiek uzstādīts pārsegs, lūdzu, skatiet pareizo atstatumu pārsega instrukcijās.

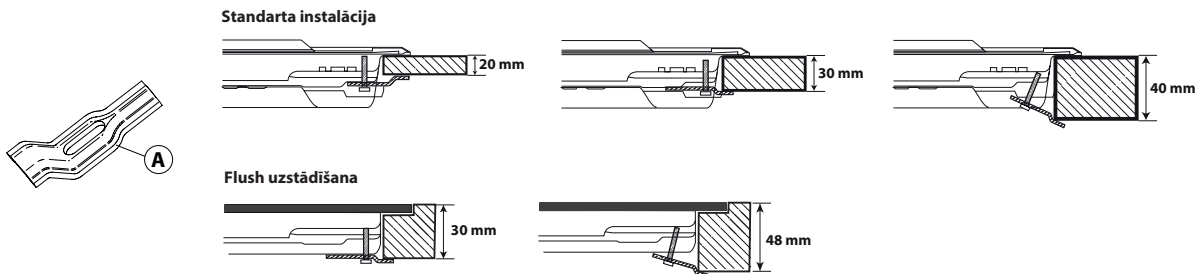
MONTĀŽA

Vispirms notīriet ierīces virsmu un tad pievienojiet tai komplektā iekļauto starpliku, kā parādīts attēlā.

Ievietojiet ierīci darbvirsmas atvērumā, kas izveidota, ņemot vērā norādījumos minētos izmērus.

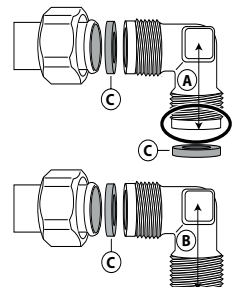
PIEZĪME: Strāvas kabelim jābūt pietiekami garam, lai to varētu izvilkēt uz augšu.

Plīts virsmas nostiprināšanai izmantojiet komplektācijā iekļautos kronšteinus (A). Ievietojiet kronšteinus attiecīgajās atverēs, kas parādītas ar bultiņu, un nostipriniet tos, izmantojot darbvirsmas biezumam atbilstošas skrūves (skatiet turpmākos skaitļus).

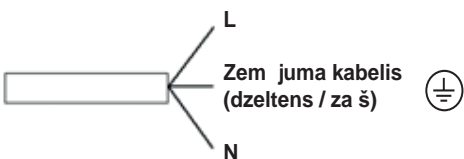


GĀZES PIESLĒGUMS

- Pievienojiet plīts virsmas komplektācijā iekļauto likuma elementu (A)* vai (B)* plīts virsmas attiecīgajai ieejai, izmantojot starpliku (C)— atbilstoši standartam EN 549.
- * **Izmantojiet likuma elementu (A), ja ierīce jāuzstāda Francijā, un (B)— citās valstīs.**
- Kad gāzes pieslēgums paveikts, pārbaudiet, vai tajā nav noplūdes, izmantojot ziepjūdeni. Iededziet degļus un pagrieziet slēdzus no maksimālās pozīcijas līdz minimālajai, lai pārbaudītu liesmas stabilitāti.



ELEKTRĪBAS PIESLĒGUMS

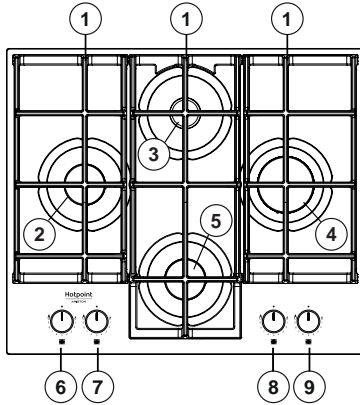


**PALDIES, KA IEGĀDĀJĀTIES HOTPOINT IZSTRĀDĀJUMU**

Lai saņemtu pilnvērtīgu palīdzību, lūdzu, reģistrējiet savu produktu vietnē www.hotpoint.eu/register.



Pirms ierīces lietošanas rūpīgi izlasiet drošības norādījumus.

LAI IEGŪTU VAIRĀK INFORMĀCIJAS, SKENĒJIET KVADRĀTKODU UZ IERĪCES**IZSTRĀDĀJUMA APRAKSTS**

1. Noņemami pannu novietošanas režģi
2. Vidējas intensitātes deglis
3. Papildu deglis
4. Intensīvs deglis
5. Vidējas intensitātes deglis
6. Vidēji intensīvā degļa vadības poga
7. Vidēji intensīvā degļa vadības poga
8. Papildu degļa vadības poga
9. Intensīvā degļa vadības poga

Simboli

- | | |
|------------------|--|
| Melns aplis | ● Aizvērts krāns |
| Maksimālā liesma | 🔥 Maksimālais atvērums/padeve un Elektriskā aizdedze |
| Minimālā liesma | 🔥 Minimālais atvērums vai samazināta pudeve |

**IKDIENAS IZMANTOŠANA****KĀ IZMANTOT PLĪTS VIRSMU**

⚠️ Neļaujiet degļa liesmai izplatīties aiz pannas malām.

SVARĪGI! lietojot plīts virsmu, tā visa var sakarst.

- Lai iedegtu degli, pagrieziet atbilstošo regulatoru pretēji pulksteņrādītāju kustības virzienam līdz maksimālas liesmas stāvoklim.
- Piespiediet regulatoru pret vadības paneli, lai aizdegto liesmu.
- Pēc degļa aizdegšanas turiet regulatoru nospiestu vēl apmēram 5–10 sekundes, lai nodrošinātu pareizu ierīces darbību.
- Ja liesma nejausi tiek nodzēsta (pēkšņa caurvēja, gāzes piegādes pārtraukuma, vāramajam šķidrums pārlīstot trauka malām un tamlīdzīgos gadījumos), degļa drošības ietaise noslēdz gāzes piegādi deglim.
- Regulatoru nedrīkst turēt piespiestu ilgāk par 15 sekundēm. Ja arī pēc tam degli neizdodas aizdegt, uzgaidiet vismaz vienu minūti, un tikai tad atkārtoti mēģiniet to iedegt.**

PIEZĪME. Ja gāzes piegādes apstākļu dēļ ir grūti aizdegt degli, ieteicams atkārtot darbību, pagriežot regulatoru līdz mazas liesmas iestatījumam.

Atlaižot regulatoru, liesma var nodzist. Tas nozīmē, ka drošības ierīce nav pietiekami uzsilusi. Šādā gadījumā atkārtojiet iepriekš minētās darbības. Ja liesma nejausi izdziest, nogrieziet vadības slēdzi un pagaidiet vismaz vienu minūti, pirms mēģināt to iedegt atkal.

PRAKTISKI PADOMI DEGLU LIETOŠANĀ

Šai plīts virsmai ir dažāda diametra degļi. Lai panāktu labāku degļu veiktspēju, lūdzu, ievērojot šādus noteikumus:

- Izmantojiet katlus un pannas, kuru apakšējo daļu izmēri ir tādi paši kā degļiem vai nedaudz lielāki (skatiet tabulu pa labi).
- Izmantojiet tikai katlus un pannas ar plakaniem dibieniem.
- Lietojiet tieši tik daudz ūdens, cik nepieciešams ēdiena pagatavošanai, un uzlieciet katlam vāku.
- Pārlicinieties, vai uz režģiem novietotie katli neizvirzās pāri plīts virsmas malai.
- Ja izmantojat pannas ar izliektiem dibieniem (VOK panna), lietojiet komplektācijā iekļautās atbalsta restes, kuras jānovieto tikai uz 4. degļa.
- Uzmanieties, lai pret plīts virsmu nejausi neatsistu pannas, statīvus vai citus virtuves piederumus.
- Neatstājiet tukšas steika restes virs aizdedzināta degļa ilgāk par piecām minūtēm.

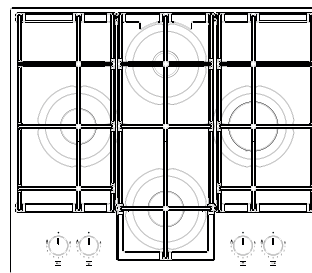
SVARĪGI! Nepareiza režģu lietošana var izraisīt plīts virsmas bojājumus: nenovietojiet tos otrādi un nebīdīet pāri ierīces virsmai.

DEGLIS	Ø KATLA
Intensitātes	No 24 līdz 26 cm
Vidējas intensitātes	No 16 līdz 22 cm
Papildu	No 8 līdz 14 cm

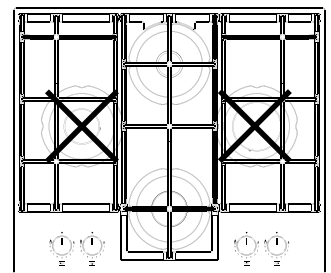
Neizmantojiet:

- čuguna trauku paliktņus, apdedzināta māla katlus un pannas;
- karstuma izkliedētājus, piemēram, metāla sietus u.c.;
- divus degļus vienlaikus, lai sildītu vienu trauku (piemēram, zivju pannu).

Uz karstās plīts zonas izšakstītie šķidrums var sabojāt stiklu.

PAREDZIET GRILI PAREIZI

OK



NO/KO

PIELĀGOŠANA DAŽĀDIEM GĀZES VEIDIEM

⚠️ Šo darbu drīkst veikt tikai kvalificēts tehniķis.

Ja plīts virsmai tiks izmantota gāze, kas atšķiras no tās, kuras parametri minēti tehnisko datu plāksnītē un ierīces augšpusē uzstādītajā informācijas uzlīmē, nomainiet sprauslas.

Noņemiet informācijas uzlīmi un saglabājiet to kopā ar norādījumu bukletu.

Izmantojiet spiediena regulatorus, kas piemēroti norādījumos minētajam gāzes spiedienam:

- Sprauslu nomaiņu drīkst veikt tikai klientu apkalpošanas centra darbinieki vai kvalificēts tehniķis.
- Sprauslas, kuras nav iekļautas ierīces komplektācijā, ir jāpasūta klientu apkalpošanas centrā.
- Noregulējiet krāniem minimālo iestatījumu.

PIEZĪME. Ja izmantojat šķidru naftas gāzi (G30/G31), minimālās plūsmas iestatījuma skrūvei ir jābūt pievilktai līdz galam.

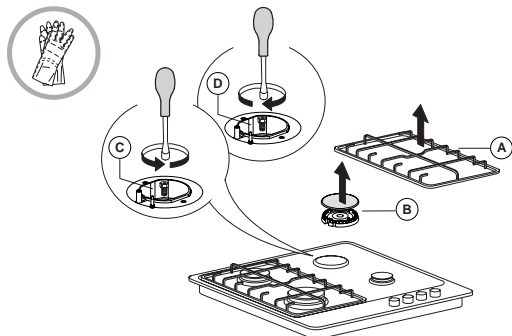
SVARĪGI! Ja degļu regulatoru pagriešana ir apgrūtināta, lūdzu, sazinieties ar klientu apkalpošanas centru un pieprasiet nomainīt krānu, ja tas ir bojāts.

SVARĪGI: ja tiek izmantots gāzes balons, balons vai gāzes tvertne pareizi jāuzstāda (vertikāli).

SPRAUSLU NOMAIŅA (skatiet Drošības norādījumos minēto sprauslu tabulu)

⚠ Šo darbu drīkst veikt tikai kvalificēts tehniķis.

- Noņemiet režģus (A).
- Izņemiet degļus (B).
- Izmantojot piemērota lieluma galatslēgu, noskrūvējiet sprauslu (C).
- Nomainiet to pret jaunajam gāzes veidam piemērotu sprauslu.
- Uzstādiet atpakaļ sprauslu (D).



Pirms plīts virsmas uzstādīšanas vēl ir jāpiestiprina plāksnīte ar gāzes kalibrācijas parametriem, kas nosedz līdzšinējo gāzes kalibrācijas informāciju.

GATAVOŠANAS TABULA

LĪMENIS	GATAVOŠANAS PAŅĒMIENS/VEIDS (IETEICAMĀIS LIETOJUMS)	GATAVOŠANAS PADOMI
1-2	UZTURĒT SILTU	Funkcija ir ideāli piemērota, lai padarītu sviestu mīkstu, lēnām izkausētu šokolādi, atkausētu nelielas porcijas, veidotu risoto krēmu.
	SAUDŽĪGA GATAVOŠANA	
3-4	VĀRĪŠANA UZ LĒNAS UGUNIS	Funkcija ir ideāli piemērota mazākā karstumā gatavojamiem produktiem (rīsi, mērces, cepetis, zivs), izmantojot šķidrums (piemēram, ūdens, vīns, buljons) un gatavojot pastas ar mērci, uzturot lēnu vārīšanos.
	SAUTĒŠANA	
5-6	CEPŠANA	Funkcija ir ideāli piemērota dārzeņu sautēšanai, ilgstošai gatavošanai, virtuves piederumu uzsildīšanai, gatavošanai līdz krēma konsistencei.
	CEPŠANA	
7-8	CEPŠANA AR MAIŠĪŠANU	Funkcija ir ideāli piemērota apbrūnināšanai, gatavošanas sākšanai, straujai šķidrumu uzvārīšanai, sasaldētu produktu cepšanai, gaļas un zivju grilēšanai, spēcīgas vārīšanās uzturēšanai.
	GRILĒŠANA	
9	ĀTRA SAKARSĒŠANA	Funkcija ir ideāli piemērota straujai ēdiena temperatūras paaugstināšanai vai šķidrumu (ūdens) sakarsēšanai.

TĪRĪŠANA UN APKOPE

⚠ Atvienojiet ierīci no elektrotīkla.

PLĪTS VIRSMAS TĪRĪŠANA

- Stikla un emaljētās daļas jātīra ar siltu ūdeni un neitrālu mazgāšanas līdzekli.
- Uz nerūsējoša tērauda virsmām var pakāpeniski parādīties traipi, ko veido kaļķains ūdens un kodīgi tīrīšanas līdzekļi. Noslaukiet izlijušo ūdeni, mērces, kafiju un citus produktus, pirms tie sakalst.
- Nomazgājiet virsmas ar siltu ūdeni un neitrālu mazgāšanas līdzekli un tas nosusiniet tās ar mīkstu drāni vai zamšādu. Notīriet piekaltušus netīrumus ar tīrīšanas līdzekļiem, kas paredzēti nerūsējoša tērauda virsmu tīrīšanai.

PIEZĪME. Nerūsējošā tērauda virsmas tīriet tikai ar mīkstu drānu vai sūkli.

- Neizmantojiet abrazīvus un koroziju izraisošus līdzekļus, tādus, kas satur hloru, vai pannu skrāpju.
- Neizmantojiet tvaika tīrīšanas ierīces.
- Neizmantojiet viegli uzliesmojošus līdzekļus.
- Uz plīts virsmas nedrīkst palikt skābas vai sārmainas vielas, piemēram, etiķis, sinepes, sāls, cukurs vai citronu sula.

KRĀNU MINIMĀLĀS PLŪSMAS IESTATĪŠANA

⚠ Šo darbu drīkst veikt tikai kvalificēts tehniķis.

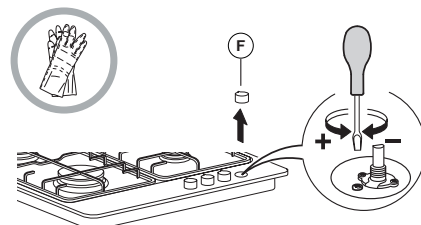
Šo regulēšanu veicot, krānam ir jābūt pagrieztam minimālas gāzes plūsmas stāvoklī (maza liesma).

Degļu primārais gaiss nav jāregulē.

Lai pareizi iestatītu minimālo plūsmu, noņemiet regulatoru (F) un rīkojieties šādi:

- pievelciet skrūvi, lai samazinātu liesmas augstumu (-);
- atlaidiet skrūvi, lai palielinātu liesmas augstumu (+).

Iededziet degļus un pagrieziet regulatorus no maksimālās plūsmas stāvokļa līdz minimālās liesmas stāvoklim, lai pārbaudītu liesmas stabilitāti.



Pēc regulēšanas veiciet atkārtotu blīvēšanu ar tam paredzētu vasku vai līdzvērtīgu materiālu.

PLĪTS VIRSMAS SASTĀVDAĻU TĪRĪŠANA

- Tīriet stiklu un emaljētās daļas tikai ar mīkstu drānu vai sūkli.
- Režģus, degļu vāciņus un degļus tīrīšanas nolūkos var noņemt.
- Notīriet tos manuāli, izmantojot siltu ūdeni un neabrazīvu tīrīšanas līdzekli, noņemot visus pārtikas pārpalikumus un pārbaudot, vai neviena degļa atvere nav nosprostota.
- Noskalojiet un nosusiniet.
- **Čuguna režģus drīkst mazgāt trauku mazgājamajā mašīnā.**
- **Pirms režģu ievietošanas trauku mazgājamās mašīnas zemākajā statīvā notīriet piedegušās ēdiena paliekas.**
- Degļus un to vāciņus uzstādiet atpakaļ pareizi attiecīgajos korpusos.
- Uzliekot atpakaļ režģus, pārliecinieties, vai pannu novietošanas zona ir salāgota ar degli.
- Modeļiem ar elektriskās aizdedzes spraudņiem un drošības ierīci nepieciešama pamatīga spraudņa gala tīrīšana, lai nodrošinātu pareizu darbību.
- Bieži pārbaudiet šos elementus un pēc nepieciešamības notīriet ar mitru drānu. Piedegusi pārtika jānoņem ar zobu bakstāmā vai adatas palīdzību.

PIEZĪME. Lai nesabojātu elektriskās aizdedzes ierīci, neizmantojiet to, ja degļi neatrodas tiem paredzētās vietās.

Hotpoint

ARISTON

Ja plīts virsma nedarbojas pareizi, pirms sazināties ar klientu apkalpošanas centru, skatiet problēmu novēršanas pamācību

1. Nevar aizdegt degli vai nevienmērīga liesma

Pārbaudiet, vai:

- nav atslēgta gāzes un elektrības piegāde un, vai ir atgriezts gāzes krāns;
- nav tukšs sašķidrinātās gāzes balons;
- nav aizsērējušas degļu atveres;
- nav netīrs spraudņa gals;
- visas degļa detaļas ir pareizi uzstādītas;
- plīts virsmas tuvumā nav caurvēja

2. Degļa liesma nodziest

Pārbaudiet, vai:

- iediedzot degli, regulators tika nospiests pietiekami ilgi, lai aktivizētos aizsardzības ierīce;
- nav aizsērējušas termoelementa tuvumā esošās degļa atveres;
- nav netīrs drošības ierīces gals;
- ir pareizi iestatīta minimālā gāzes plūsma (skatiet attiecīgo sadaļu).

3. Novietotie trauki ir nestabili

Pārbaudiet, vai:

- trauka apakšpuse ir pilnīgi plakana;
- trauks atrodas degļa centrā;
- režģi nav samainīti vietām un vai tie novietoti pareizi.

Ja pēc iepriekš minētajām pārbaudēm kļūme netiek novērsta, sazinieties ar tuvāko klientu apkalpošanas centru.

PĒCPĀRDOŠANAS SERVISS

Lai saņemtu pilnvērtīgu palīdzību, lūdzu, reģistrējiet savu ierīci vietnē www.hotpoint.eu/register.

PIRMS SAZINĀTIES AR PĒC-PĀRDOŠANAS APKALPOŠANAS DIENESTU:

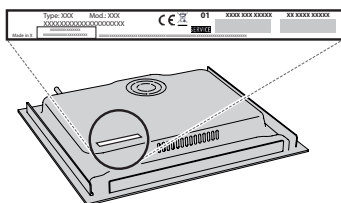
1. Mēģiniet atrisināt problēmu saviem spēkiem, izmantojot šeit atrodamo **PROBLĒMU RISINĀŠANA**.
2. Izslēdziet ierīci un ieslēdziet to vēlreiz, lai pārlicinātos, vai problēma ir novērsta.

JA PĒC IEPRIEKŠMINĒTĀJĀM PĀRBAUDĒM PROBLĒMA NAV NOVĒRSTA, SAZINIETIES AR TUVĀKO PĒC-PĀRDOŠANAS APKALPOŠANAS DIENESTU.

Lai saņemtu palīdzību, zvaniet uz garantijas grāmatiņā norādīto numuru vai sekojiet norādījumiem tīmekļa vietnē www.hotpoint.eu.

Sazinoties ar klientu pēc-pārdošanas apkalpošanas dienestu, vienmēr norādiet:

- īsu kļūmes aprakstu;
- precīzu ierīces veidu un modeli;



- sērijas numurs (skaitlis pēc vārda SN uz tehnisko datu plāksnes zem ierīces). Sērijas numurs ir norādīts arī dokumentācijā;



Mod. **xxx xxx**
Ind.C. **xxxx xxxx xxxx**
SN: **xxxx xxxx xxxx**
Prod.N. **xxxx xxxx xxxx**

- savu pilno adresi;
- savu tālruna numuru.

Ja nepieciešams remonts, lūdzu, sazinieties ar pilnvarotu Pēc-pārdošanas apkopes centru (lai būtu garantija, ka tiek izmantotas tikai oriģinālās rezerves daļas un remonts tiktu veikts pareizi).

Noteikumi, standarta dokumentācija un papildu informācija izstrādājumu ir pieejama:

- Izmantojot QR kodu jūsu iekārtā;
- Apmeklējot mūsu tīmekļa vietni docs.hotpoint.eu;
- Vai arī **sazinieties ar mūsu pēc-pārdošanas apkopes dienestu** (tālruna numurs norādīts garantijas bukletā). Sazinoties ar mūsu pēc-pārdošanas centru, lūdzu, nosauciet kodus, kas redzami izstrādājuma datu plāksnītē.



⚠ Aceste instrucțiuni sunt valabile numai dacă simbolul țării în care este utilizat aparatul este prezent pe acesta. Dacă simbolul corespunzător nu este prezent pe acesta, este necesar să consultați instrucțiunile tehnice, deoarece acestea conțin instrucțiunile necesare privind modificarea aparatului în funcție de condițiile de utilizare specifice țării respective.

⚠ **ATENȚIE:** Utilizarea unui aparat de gătit cu funcționare pe gaz are ca rezultat generarea de căldură, umiditate și produși combustibili în încăperea în care acesta este instalat. Asigurați-vă că bucătăria este bine ventilată, mai ales atunci când aparatul este în funcțiune: mențineți deschise orificiile de aerisire sau instalați un dispozitiv de ventilare mecanică (hotă cu extracție mecanică). Utilizarea intensivă și îndelungată a aparatului ar putea impune necesitatea unei ventilări suplimentare, de exemplu, deschiderea ferestrei sau o modalitate mai eficientă de ventilare, prin creșterea nivelului de ventilare mecanică atunci când este cazul.

⚠ Nerespectarea cu exactitate a instrucțiunilor din acest manual poate duce la incendiu sau explozie, care se soldează cu pagube materiale sau vătămări corporale. Înainte de a utiliza aparatul, citiți aceste instrucțiuni privind siguranță. Păstrați-le la îndemână pentru a le putea consulta și pe viitor.

Aceste instrucțiuni și aparatul în sine furnizează avertismente importante privind siguranță, care trebuie respectate întotdeauna. Producătorul nu își asumă nicio răspundere pentru nerespectarea acestor instrucțiuni de siguranță, pentru utilizarea necorespunzătoare a aparatului sau pentru setarea incorectă a butoanelor de comandă.

⚠ **AVERTISMENT:** Dacă suprafața plitei este crăpată, nu folosiți aparatul – risc de electrocutare.

⚠ **AVERTISMENT:** Pericol de incendiu: Nu depozitați obiecte pe zonele de gătit.

⚠ **ATENȚIE:** Procesul de preparare trebuie să fie supravegheat. Un proces de preparare care durează puțin trebuie să fie supravegheat în permanentă.

⚠ **AVERTISMENT:** Prepararea la plită cu grăsime sau ulei poate fi periculoasă - risc de incendiu. Nu încercați NICIODATĂ să stingeți un incendiu folosind apă: trebuie să opriți aparatul și apoi trebuie să acoperiți flacăra, de exemplu cu un capac sau cu o pătură ignifugă.

⚠ Nu utilizați plita ca suprafață de lucru sau suport. Nu amplasați articole vestimentare sau alte materiale inflamabile lângă aparat până când nu s-au răcit complet toate componentele acestuia - pericol de incendiu.

⚠ Nu lăsați aparatul la îndemâna copiilor foarte mici (0-3 ani). Nu lăsați aparatul la îndemâna copiilor mici (3-8 ani) decât dacă sunt supravegheați în permanentă. Copiii cu vârsta de peste 8 ani și persoanele cu capacități fizice, senzoriale sau mintale reduse sau fără experiență și

cunoștințe pot folosi acest aparat doar dacă sunt supravegheate sau au fost instruite cu privire la utilizarea în siguranță și înțeleg riscurile implicate. Copiii nu trebuie să se joace cu aparatul. Curățarea și întreținerea nu trebuie să fie efectuate de către copii fără a fi supravegheați.

⚠ **ATENȚIE:** În cazul spargerii sticlei plitei: închideți imediat toate arzătoarele și toate rezistențele electrice și deconectați aparatul de la sursa de alimentare; nu atingeți suprafața aparatului; nu utilizați aparatul.

Capacul din sticlă se poate sparge dacă este încălzit excesiv. Opriti toate arzătoarele și plăcile electrice înainte de a închide capacul. Nu închideți capacul dacă arzătorul este aprins.

⚠ **AVERTISMENT:** Aparatul și părțile sale accesibile se înfierbântă în timpul utilizării. Trebuie evitată atingerea elementelor fierbinți. Copiii cu vârste mai mici de 8 ani nu trebuie lăsați să se apropie de aparat, cu excepția cazurilor în care sunt supravegheați în permanentă.

⚠ Alimentele nu trebuie lăsate în interiorul sau deasupra produsului mai mult de o oră înainte sau după preparare.

UTILIZAREA PERMISĂ

⚠ **ATENȚIE:** aparatul nu trebuie să fie pus în funcțiune prin intermediul unui comutator extern, precum un temporizator, sau al unui sistem de comandă la distanță separat.

⚠ Acest aparat este proiectat pentru a fi utilizat în locuințe, precum și în alte spații similare, precum: bucătării destinate personalului din magazine, birouri și alte spații de lucru; ferme; de către clienții din hoteluri, moteluri, unități de cazare de tip "Bed and breakfast" și alte spații rezidențiale.

⚠ Orice altă utilizare este interzisă (de ex. încălzirea încăperilor).

⚠ Acest aparat nu este destinat utilizării în scop profesional. Nu utilizați aparatul în aer liber.

⚠ Utilizați oale și cratițe cu diametrul bazei egal sau puțin mai mare decât diametrul arzătoarelor (consultați tabelul specific). Aveți grijă ca vasele de gătit așezate pe grătare să nu iasă în afara marginilor plitei.

⚠ Utilizarea necorespunzătoare a grătarelor poate duce la deteriorarea plitei: nu așezați grătarele cu susul în jos și nu le târați pe suprafața plitei.

Aveți grijă ca flacăra arzătorului să nu se extindă dincolo de marginea vasului.

Dacă suprafața plitei este fabricată din sticlă, nu utilizați tigăi din fontă, plăci de piatră pentru gătit, oale și cratițe din teracotă.

Nu utilizați: Difuzoare de căldură, de tipul plaselor metalice sau de alte tipuri. Două arzătoare în același timp pentru un singur vas (de ex. o tavă de gătit pește). În cazul în care condițiile locale specifice de distribuție a gazelor fac ca aprinderea arzătorului să fie dificilă, este indicat să repetați operația cu butonul rotit la poziția pentru flacăra mică.

În cazul instalării unei hote deasupra plitei, consultați instrucțiunile care însoțesc hota pentru a identifica distanțele corecte de montare.

Picioarușele de protecție din cauciuc de sub grătare ar putea fi înghițite de copii, reprezentând astfel un pericol de sufocare. După îndepărtarea grătarelor, vă rugăm să vă asigurați că toate picioarușele sunt montate corect.

INSTALAREA

⚠ Manevrarea și instalarea aparatului trebuie să fie efectuate de două sau mai multe persoane - risc de rănire. Folosiți mănuși de protecție la despachetare și instalare - risc de tăiere.

⚠ Conexiunile electrice și racordurile pentru gaz trebuie să fie efectuate în conformitate cu normele locale.

⚠ Instalarea, inclusiv racordarea la rețeaua de alimentare cu apă (dacă este necesară) și la rețeaua de alimentare cu energie electrică, precum și reparațiile trebuie efectuate de un tehnician calificat. Nu reparați și nu înlocuiți nicio piesă a aparatului, dacă acest lucru nu este indicat în mod expres în manualul de utilizare. Nu lăsați copiii în apropierea zonei de instalare. După despachetarea aparatului, asigurați-vă că acesta nu a fost deteriorat în timpul transportului. Dacă apar probleme, contactați distribuitorul sau cel mai apropiat serviciu de asistență tehnică post-vânzare. Odată instalat aparatul, deșeurile de ambalaje (bucăți de plastic, polistiren etc.) nu trebuie lăsate la îndemâna copiilor - risc de asfixiere. Înainte de orice operație de instalare, aparatul trebuie să fie deconectat de la rețeaua de alimentare cu energie electrică - risc de electrocutare. În timpul instalării, aveți grijă ca aparatul să nu deterioreze cablul de alimentare - risc de incendiu sau de electrocutare. Activați aparatul numai atunci când instalarea a fost finalizată.

⚠ AVERTISMENT: Modificarea aparatului și a metodei de instalare a acestuia sunt esențiale în vederea utilizării corecte și în siguranță a aparatului în toate țările ale căror simboluri nu sunt specificate pe acesta.

⚠ Folosiți regulatoare de presiune potrivite pentru presiunea gazului precizată în instrucțiuni.

⚠ Încăperea trebuie să fie prevăzută cu un sistem de extracție a aerului care să elimine din incintă gazele combustibile.

⚠ De asemenea, în încăperea trebuie să fie permisă circulația liberă a aerului, deoarece acesta este absolut necesar pentru o ardere normală. Debitul de aer nu trebuie să fie de sub 2 m³/h per kW de putere instalată.

⚠ Sistemul de circulație a aerului poate extrage aerul direct din exterior prin intermediul unei conducte cu o secțiune transversală internă de cel puțin 100 cm²; deschiderea nu trebuie să fie blocată.

⚠ De asemenea, acest sistem poate asigura indirect aerul necesar pentru ardere, adică din încăperile adiacente prevăzute cu conducte de circulație a aerului, conform descrierii anterioare. Totuși, aceste încăperi nu trebuie să fie camere de zi, dormitoare sau să comporte riscul de izbucnire a unui incendiu.

⚠ Gazul petrolier lichefiat cade pe planșeu deoarece are o greutate mai mare decât cea a aerului. Astfel, încăperile în care se află butelii de GPL trebuie să fie de asemenea prevăzute cu orificii de aerisire pentru a se permite eliminarea gazului în cazul scurgerii acestuia. În consecință, buteliile de GPL, încărcate parțial sau complet, nu trebuie să fie instalate sau depozitate în

încăperi sau spații de depozitare aflate sub nivelul solului (pivnițe etc.). Este recomandat ca în încăperea să fie depozitată numai butelia utilizată, aceasta fiind poziționată într-un loc ferit de căldura produsă de sursele externe (cuptoare, șemineuri, sobe etc.) care ar putea determina creșterea temperaturii buteliei la o valoare de peste 50 °C.

Dacă întâmpinați dificultăți când rotiți butoanele arzătoarelor, vă rugăm să contactați Serviciul de asistență tehnică post-vânzare în vederea înlocuirii robinetului arzătorului dacă acesta este defect.

Deschiderile destinate ventilării și dispersiei căldurii nu trebuie să fie niciodată acoperite.

⚠ Executați toate operațiunile de decupare a mobilei înainte de a încorpora aparatul și înlăturați cu grijă toate așchiile din lemn și rumegușul.

⚠ În cazul în care aparatul nu este montat deasupra unui cuptor, trebuie să fie instalat un panou despărțitor (neinclus în dotarea aparatului) în compartimentul de sub acesta.

RACORDAREA LA GAZ

⚠ AVERTISMENT: Înainte de instalare, asigurați-vă că condițiile de distribuție de la nivel local (tipul de gaz și presiunea gazului) sunt compatibile cu configurația aparatului.

⚠ Verificați dacă presiunea de alimentare cu gaz este conformă cu valorile specificate în tabelul „Specificații privind arzătorul și duza”.

⚠ AVERTISMENT: Valorile de reglare a aparatului sunt specificate pe etichetă (sau pe plăcuța cu date tehnice).

⚠ AVERTISMENT: Acest aparat nu este conectat la un dispozitiv de evacuare a produselor de ardere. Dispozitivul trebuie să fie instalat și conectat în conformitate cu normele în vigoare privind instalarea. Trebuie să se acorde o atenție deosebită cerințelor relevante privind ventilația.

⚠ Dacă aparatul este racordat la o sursă de alimentare cu gaz lichefiat, șurubul de reglare trebuie să fie strâns cât mai mult posibil.

⚠ IMPORTANT: Când se folosește alimentarea cu gaz de la butelie, butelia sau recipientul de gaz trebuie să fie așezate în mod adecvat (orientare verticală).

⚠ AVERTISMENT: Această operație trebuie să fie efectuată de un tehnician calificat.

⚠ Folosiți numai furtunuri metalice flexibile sau rigide pentru racordul de gaz.

⚠ Racord rigid (din cupru sau oțel) Racordul la sistemul de alimentare cu gaz trebuie să fie efectuat astfel încât să nu se exercite presiuni asupra aparatului. Pe rampa de alimentare a aparatului este prezent un racord în forma literei L reglabil, care este prevăzut cu o garnitură ce previne scurgerile. Garnitura trebuie să fie înlocuită întotdeauna după rotirea racordului (garnitura este livrată împreună cu aparatul). Racordul conductei de alimentare cu gaz este un racord 1/2 cilindric filetat de tip tată.

⚠ Racordarea unei țevi din oțel inoxidabil flexibile și fără sudură la un racord filetat Racordul conductei de alimentare cu gaz este un racord 1/2 cilindric filetat de tip tată. Țevile trebuie să fie instalate astfel încât să nu

aibă niciodată o lungime mai mare de 2000 mm atunci când sunt complet extinse. Odată ce a fost realizată racordarea, asigurați-vă că țevă metalică flexibilă nu intră în contact cu nicio componentă mobilă și că nu este presată. Utilizați numai țevi și garnituri care sunt conforme cu normele naționale.

⚠ **IMPORTANT:** Dacă se utilizează un furtun din oțel inoxidabil, acesta trebuie instalat astfel încât să nu atingă nicio componentă mobilă a mobilierului (de exemplu, un sertar). Acesta trebuie să treacă printr-o zonă în care nu există obstacole și care să permită examinarea furtunului pe toată lungimea sa.

⚠ Aparatul trebuie să fie racordat la rețeaua de alimentare cu gaz sau la butelia de gaz în conformitate cu normele naționale. Înainte de a efectua racordarea, asigurați-vă că aparatul este compatibil cu tipul de gaz pe care doriți să îl utilizați. Dacă nu există compatibilitate, urmați instrucțiunile de la paragraful "Adaptarea pentru diferite tipuri de gaz".

⚠ După racordarea la alimentarea cu gaz, verificați etanșeitatea folosind apă cu săpun. Aprindeți arzătoarele și rotiți butoanele de la poziția de maxim 1* la poziția de minim 2* pentru a verifica stabilitatea flăcării.

ADAPTAREA PENTRU DIFERITE TIPURI DE GAZ

(Această operațiune trebuie efectuată de un tehnician calificat).

⚠ Pentru a adapta aparatul la un alt tip de gaz decât cel pentru care a fost fabricat acesta (indicat pe plăcuța cu date tehnice), urmați pașii corespunzători, indicați după desenele aferente instalării.

AVERTISMENTE PRIVIND ALIMENTAREA CU ENERGIE ELECTRICĂ

⚠ **IMPORTANT:** Informațiile despre consumul de curent și tensiune sunt furnizate pe plăcuța cu date tehnice.

⚠ Aparatul trebuie să poată fi deconectat de la rețeaua electrică fie prin scoaterea ștecherului din priză (dacă ștecherul este accesibil), fie prin intermediul unui întrerupător multipolar situat în amonte de priză, în conformitate cu normele privind cablurile electrice, iar aparatul trebuie să fie împământat, în conformitate cu standardele naționale privind siguranța electrică.

⚠ Cablul de alimentare trebuie să fie suficient de lung pentru a putea conecta aparatul la rețeaua de alimentare cu energie electrică, după ce a fost încastrat în mobilă. Nu trageți de cablul de alimentare.

⚠ Nu utilizați prelungitoare, prize multiple sau adaptoare. După finalizarea instalării, componentele electrice nu trebuie să mai fie accesibile pentru utilizator. Nu utilizați aparatul dacă aveți părți ale corpului umede sau când sunteți desculți. Nu puneți în funcțiune acest aparat dacă are cablul de alimentare sau ștecherul deteriorat, dacă nu funcționează corespunzător sau dacă a fost deteriorat sau a căzut pe jos.

⚠ Dacă este deteriorat cablul de alimentare, acesta trebuie înlocuit cu unul identic de către producător,

agentul de service sau de o persoană calificată similară, pentru a se evita pericolele - pericol de electrocutare.


CURĂȚAREA ȘI ÎNTREȚINEREA

⚠ **AVERTISMENT:** Asigurați-vă că aparatul este oprit și deconectat de la rețeaua de alimentare electrică înainte de a efectua orice operație de întreținere; nu folosiți niciodată aparatul de curățare cu aburi-risc de electrocutare.

⚠ Nu utilizați produse abrazive sau corozive, produse pe bază de clor sau bureți de sârmă pentru vase.

⚠ Pentru a evita deteriorarea dispozitivului de aprindere electrică, nu-l folosiți atunci când arzătoarele nu sunt în locașurile lor.

ELIMINAREA AMBALAJULUI


Ambalajul este reciclabil în proporție de 100% și este marcat cu simbolul reciclării .

Prin urmare, diferitele părți ale ambalajului trebuie eliminate în mod corespunzător și în conformitate cu normele stabilite de autoritățile locale privind eliminarea deșeurilor.

ELIMINAREA APARATELOR ELECTROCASNICE

Acest aparat este fabricat cu materiale reciclabile sau reutilizabile. Eliminați-l în conformitate cu normele locale referitoare la eliminarea deșeurilor. Pentru informații suplimentare referitoare la tratarea, valorificarea și reciclarea aparatelor electrocasnice, contactați autoritățile locale competente, serviciul de colectare a deșeurilor menajere sau magazinul de unde ați achiziționat aparatul. Acest aparat este marcat în conformitate cu Directiva europeană 2012/19/UE privind deșeurile de echipamente electrice și electronice (DEEE) și cu reglementările din 2013 privind deșeurile de echipamente electrice și electronice (astfel cum au fost modificate).

Asigurându-vă că acest produs este eliminat în mod corect, contribuiți la prevenirea consecințelor negative asupra mediului înconjurător și sănătății persoanelor.

Simbolul  de pe produs sau de pe documentele care îl însoțesc indică faptul că acest aparat nu trebuie eliminat ca deșeu menajer, ci trebuie predat la un centru de colectare corespunzător, pentru reciclarea echipamentelor electrice și electronice.

RECOMANDĂRI PRIVIND ECONOMISIREA ENERGIEI

Utilizați oale și cratițe cu diametrul bazei egal cu cel al zonei de gătit.

Utilizați numai oale și cratițe cu baza plată.

Când gătiți, pe cât posibil, lăsați oalele acoperite cu capacul.

Utilizați o oală sub presiune pentru a reduce și mai mult consumul de energie și durata de preparare.

DECLARAȚIE DE CONFORMITATE

Acest aparat îndeplinește Cerințele de proiectare ecologică prevăzute de Regulamentul european nr. 66/2014, precum și Regulamentele din 2019 (leșire UE) (Amendamentul) privind informațiile energetice și proiectarea ecologică aplicabilă produselor cu impact energetic, în conformitate cu Standardul european EN 30-2-1.

Tip de gaz utiliza	Tip de arzător	Marcaj injector	Capacitate termică nominală kW	Consum nominal	Capacitate termică redusă kW	Presiune gaz mbar		
						min.	nom.	max.
GAZE NATURALE (Metan) G20	Rapid (R)	128 B	3,00	286 l/h	0,70	17	20	25
	Semi-rapid (SR)	97 A	1,65	157 l/h	0,40			
	Auxiliar (AUX)	78 A	1,00	95 l/h	0,40			
GAZ PETROLIER LICHEFIAT (Butan) G30	Rapid (R)	85 A	3,00	218 g/h	0,70	20	30	35
	Semi-rapid (SR)	66 A	1,65	120 g/h	0,40			
	Auxiliar (AUX)	50	1,00	73 g/h	0,40			
GAZ PETROLIER LICHEFIAT (Propan) G31	Rapid (R)	85 A	3,00	214 g/h	0,70	20	30	35
	Semi-rapid (SR)	66 A	1,65	118 g/h	0,40			
	Auxiliar (AUX)	50	1,00	71 g/h	0,40			

Tip de gaz utiliza	Configurație model 4 ARZĂTOARE	Capacitate termică nominală (kW)	Consum total nominal	Aer necesar (m ³) pentru a arde 1m ³ de gaz
G20 20 mbar	1R - 2SR - 1AUX	7,30	695 l/h	9,52
G30 30 mbar	1R - 2SR - 1AUX	7,30	531 g/h	30,94
G31 30 mbar	1R - 2SR - 1AUX	7,30	521 g/h	23,80

ALIMENTAREA CU ELECTRICITATE: 220-240 V ~ 50-60 Hz - 1,1 W

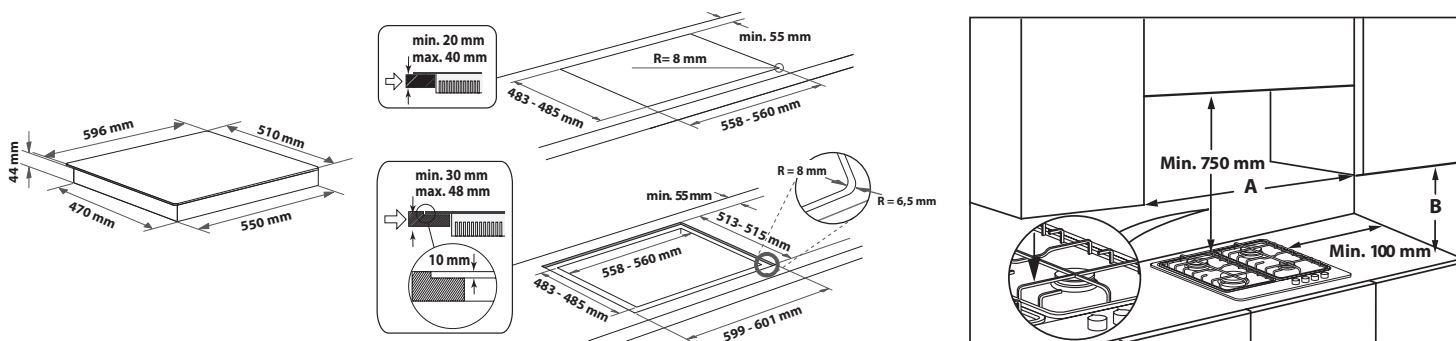


INSTALAREA (CLASA 3)

INFORMAȚII TEHNICE PENTRU INSTALATOR

- Folosiți mănuși de protecție pentru manevrarea, pregătirea și instalarea produsului.
- Acest produs poate fi încadrat într-un blat de lucru cu o grosime de 20 până la 40 mm, cu instalare standard. Pentru instalare la același nivel de 30 ÷ 48 mm.
- Dacă nu există un cuptor dedesubtul plitei, introduceți un panou separator cu o suprafață cel puțin egală cu deschiderea din blatul de lucru. Acest panou trebuie poziționat la o distanță maximă de 150 mm sub partea superioară a blatului de lucru, dar în niciun caz la mai puțin de 20 mm de partea inferioară a plitei. Dacă doriți să instalați un cuptor sub plită, asigurați-vă că acesta este echipat cu un sistem de răcire.

DIMENSIUNI ȘI DISTANȚE DE RESPECTAT



Înainte de a aplica silicon, plita trebuie centrată în decupajul efectuat

NOTĂ: dacă distanța "A" dintre dulapurile suspendate este între 600 mm și 730 mm, înălțimea "B" trebuie să fie de cel puțin 530 mm. Dacă distanța "A" dintre dulapurile suspendate este mai mare decât lățimea suprafeței de gătit, înălțimea "B" trebuie să fie de cel puțin 400 mm. În cazul instalării unei hote deasupra plitei, respectați instrucțiunile cu distanțele corecte de montare a hotei.

MONTAREA

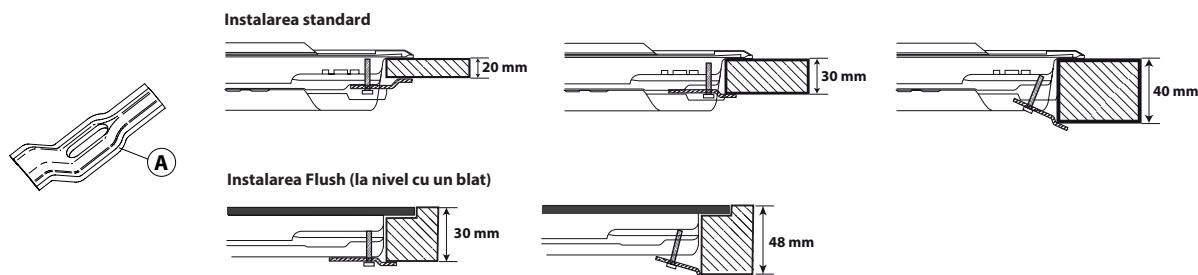
După ce ați curățat suprafața marginilor, aplicați pe plită garnitura furnizată, așa cum se arată în figură.

Poziționați plita în deschiderea practică în blatul de lucru, respectând dimensiunile indicate în Instrucțiuni.

NOTĂ: cablul de alimentare trebuie să fie suficient de lung pentru a permite ca plita să poată fi scoasă prin partea de sus.



Pentru a fixa plita, folosiți consolele (A) livrate împreună cu aceasta. Potrivii consolele în găurile corespunzătoare indicate de săgeată și strângeți-le prin intermediul șuruburilor, în funcție de grosimea blatului de lucru (consultați figurile următoare).

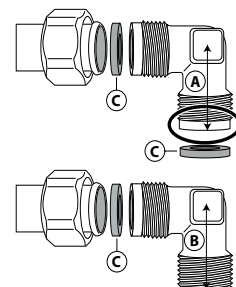


RACORDAREA LA GAZ

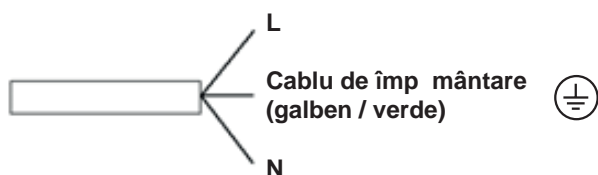
- Racordați cotul (A)* sau (B)* (incluse în pachet) la țeava principală de alimentare a plitei și intercalați șaiba (C) (inclusă în pachet), în conformitate cu standardul EN 549.

* Folosiți cotul (A) pentru Franța și cotul (B) pentru toate celelalte țări.

- După racordarea la alimentarea cu gaz, verificați etanșeitățile folosind apă cu săpun. Aprindeți arzătoarele și rotiți butoanele de la poziția de maxim la poziția de minim pentru a verifica stabilitatea flăcării.



CONECTARE ELECTRICA





VĂ MULȚUMIM CĂ AȚI ACHIZIȚIONAT UN PRODUS HOTPOINT

Pentru a beneficia de servicii complete de asistență, vă rugăm să vă înregistrați produsul pe www.hotpoint.eu/register.

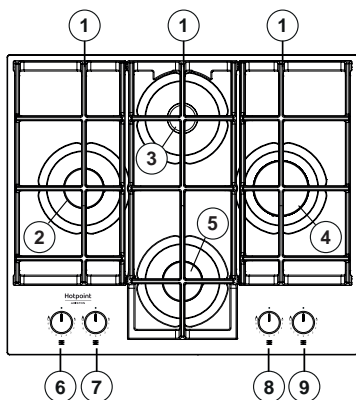


Înainte de a utiliza aparatul, citiți cu atenție instrucțiunile privind siguranța.

SCANĂȚI CODUL QR DE PE APARATUL DUMNEAVOASTRĂ PENTRU A OBȚINE MAI MULTE INFORMAȚII



DESCRIEREA PRODUSULUI



- Grătare detașabile
- Arzător Semi-rapid
- Arzător Auxiliar
- Arzător Rapid
- Arzător Semi-rapid
- Buton de comandă pentru arzătorul Semi-rapid
- Buton de comandă pentru arzătorul Semi-rapid
- Buton de comandă pentru arzătorul Auxiliar
- Buton de comandă pentru arzătorul Rapid

Simboluri

- Cerc de culoare închisă ● Robinet închis
- Flacără mare 🔥 Deschidere maximă/debit maxim și aprindere electrică
- Flacără mică 🔥 Deschidere minimă sau debit redus

UTILIZAREA ZILNICĂ

UTILIZAREA PLITEI

⚠ Aveți grijă ca flacăra arzătorului să nu se extindă dincolo de marginea vasului.

IMPORTANT: când plita este în uz, întreaga zonă a plitei se poate înfierbânta.

- Pentru a aprinde un arzător, rotiți butonul corespunzător în sens anti-orar până când ajunge în poziția pentru flacără maximă.
- Apăsăți butonul spre panoul de comandă pentru a aprinde arzătorul.
- După aprinderea arzătorului, continuați să țineți apăsat butonul timp de aproximativ 5-10 secunde pentru a permite funcționarea corectă a dispozitivului.
- Acest dispozitiv de siguranță cu care este prevăzut arzătorul va întrerupe alimentarea cu gaz a arzătorului în cazul în care flacăra se stinge accidental (din cauza unor curenți de aer, a întreruperii furnizării gazelor, a vărsării de lichide etc.).
- Butonul nu trebuie ținut apăsat mai mult de 15 sec. Dacă după trecerea acestui interval arzătorul nu rămâne aprins, așteptați cel puțin un minut înainte de a încerca să-l aprindeți din nou.

NOTĂ: în cazul în care condițiile locale specifice de distribuire a gazelor fac ca aprinderea arzătorului să fie dificilă, este indicat să repetați operația cu butonul rotit la poziția pentru flacără mică.

Arzătorul se poate stinge când butonul este eliberat. Acest lucru înseamnă că dispozitivul de siguranță nu s-a încălzit suficient. În această situație, repetați operațiile descrise mai sus.

Dacă flacăra arzătorului se stinge accidental, opriți comanda arzătorului și nu încercați să o aprindeți timp de cel puțin 1 minut.

SFATURI PRACTICE PENTRU UTILIZAREA ARZĂTOARELOR

Această plită are arzătoare cu diametre diferite. Pentru a obține rezultate optime la folosirea arzătoarelor, vă rugăm să urmați aceste reguli:

- utilizați oale și cratițe cu diametrul bazei egal sau puțin mai mare decât diametrul arzătoarelor (consultați tabelul din dreapta);
- utilizați numai oale și cratițe cu baza plată;
- folosiți cantitatea corectă de apă când gătiți alimentele și țineți oala acoperită;
- aveți grijă ca vasele de gătit așezate pe grătare să nu iasă în afara marginilor plitei;
- în cazul vaselor cu bază convexă (wok), folosiți grătarul-suport care nu este furnizat împreună cu plita, care trebuie plasat numai pe arzătorul cu inele de ardere multiple;
- evitați ciocnirile accidentale cu cratițe, grile sau alte echipamente de bucătărie;
- nu lăsați grătare goale pe focul aprins pentru mai mult de 5 minute.

IMPORTANT: utilizarea necorespunzătoare a grătarelor poate duce la deteriorarea plitei: nu așezați grătarele cu susul în jos și nu le târați pe suprafața plitei.

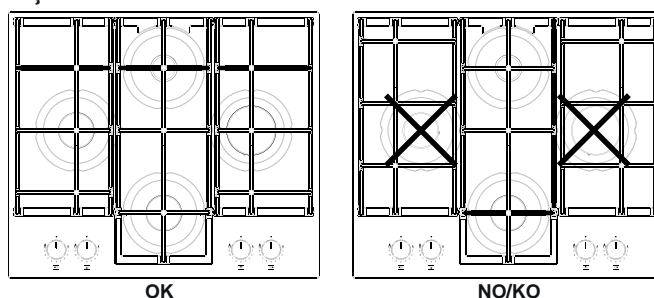
ARZĂTOR	Ø OALĂ
Rapid	De la 24 la 26 cm
Semi-rapid	De la 16 la 22 cm
Auxiliar	De la 8 la 14 cm

Nu utilizați:

- Tigăi din fontă, plăci de piatră pentru gătit, oale sau cratițe din teracotă.
- Difuzoare de căldură, de tipul plaselor metalice sau de alte tipuri.
- Două arzătoare în același timp pentru un singur vas (de ex. o oală de fierț pește).

Lichidele vărsate pe zona fierbinte a plitei pot cauza deteriorarea sticlei.

POZIȚIONAREA CORECTĂ A GRIDELOR



ADAPTAREA PENTRU DIFERITE TIPURI DE GAZ

⚠ Această operație trebuie să fie efectuată de un tehnician calificat.

Dacă aparatul trebuie să funcționeze cu un tip de gaz diferit de cel indicat pe plăcuța cu date tehnice și pe eticheta informativă de pe partea superioară a plitei, schimbați injectoarele. Înălțurați eticheta informativă și păstrați-o împreună cu manualul de instrucțiuni.

Folosiți regulatoare de presiune potrivite pentru presiunea gazului indicată în Instrucțiuni.

- Injectorul de gaz trebuie schimbat de Serviciul de asistență tehnică sau de un tehnician calificat.
- Injectorul care nu este furnizat împreună cu aparatul trebuie comandat de la Serviciul de asistență tehnică.
- Reglați poziția de minim a robinetelor.

NOTĂ: când se folosește gaz petrolier lichiefiat (G30/G31), șurubul pentru reglarea debitului minim de gaz trebuie strâns cât de mult posibil.

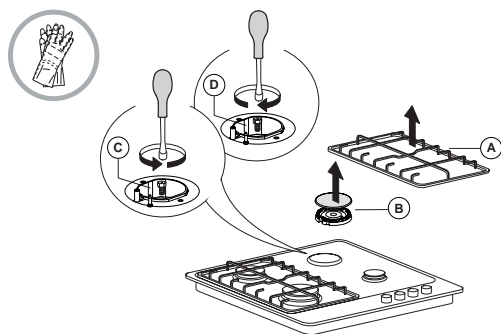
IMPORTANT: dacă aveți dificultăți când rotiți butoanele arzătoarelor, vă rugăm să contactați Serviciul de asistență tehnică pentru înlocuirea robinetului arzătorului, dacă se constată că este defect.

IMPORTANT: când se folosește alimentarea cu gaz de la butelie, butelia sau recipientul de gaz trebuie să fie așezate în mod adecvat (orientare verticală).

ÎNLOCUIREA INJECTOARELOR (consultați tabelul de injectoare din Instrucțiuni privind siguranța)

⚠ Această operație trebuie să fie efectuată de un tehnician calificat.

- Scoateți grătarele (A).
- Extrageți arzătoarele (B).
- Folosind o cheie tubulară de dimensiuni corespunzătoare, deșurubați injectorul (C) care trebuie înlocuit.
- Înlocuiți-l cu injectorul potrivit pentru noul tip de gaz.
- Montați la loc injectorul în (D).



Înainte de a instala plita, nu uitați să montați plăcuța cu datele privind calibrarea gazului, livrată împreună cu injectoarele, astfel încât să acopere informațiile existente referitoare la calibrarea gazului.

TABELUL DE GĂTIRE

NIVEL	METODĂ/TIP DE PREPARARE (RECOMANDAT PENTRU)	CÂTEVA SFATURI PENTRU GĂTIT
1-2	MENȚINERE LA CALD	Ideală pentru a înmuia untul, topirea delicată a ciocolatei în baie marie, decongelarea unei porții mici de alimente, obținerea unei texturi cremoase pentru rizoto.
	PREPARARE DELICATĂ	
3-4	FIERBERE LA FOC MIC	Ideală pentru rețete cu durată lungă de preparare (orez, sosuri, friptură, pește) cu lichide (apă, vin, bulion) și pentru obținerea unei texturi cremoase a pastelor, menținând fierberea la foc mic.
	FIERBERE ÎNĂBUȘITĂ	
5-6	FRIGERE	Ideală pentru a sota, a fierbe înăbușit legume, a găti pe perioade mai lungi de timp, a preîncălzi accesorii, a obține o textură cremoasă a alimentelor.
	PRĂJIRE	
7-8	PRĂJIRE LA FOC IUTE	Ideală pentru a rumeni, a căli, a fierbe rapid lichidele, a prăji produse congelate, a frige grătar carne și pește, a menține fierberea.
	FRIGERE LA GRĂTAR	
9	ÎNCĂLZIRE RAPIDĂ	Ideală pentru creșterea rapidă a temperaturii alimentelor sau pentru încălzirea lichidelor (apă).

CURĂȚAREA ȘI ÎNTREȚINEREA

⚠ Deconectați de la electricitate înainte de a efectua orice operație de întreținere.

CURĂȚAREA SUPRAFEȚEI PLITEI

- Toate piesele emailate și de sticlă trebuie curățate cu o soluție de apă caldă și detergent neutru.
- Suprafețele din oțel inoxidabil se pot păta din cauza apei calcaroase sau a detergenților agresivi, dacă rămân în contact cu acestea prea mult timp. Resturile de mâncare căzute pe suprafață (apă, sos, cafea etc.) trebuie șterse înainte de a se usca.
- Curățați cu apă caldă și detergent neutru, apoi uscați cu o cârpă moale sau cu piele de căprioară. Îndepărtați resturile arse de mâncare cu ajutorul unor produse de curățare speciale pentru suprafețe din oțel inoxidabil.

NOTĂ: curățați oțelul inoxidabil numai cu o cârpă sau un burete moale.

- Nu utilizați produse abrazive sau corozive, produse pe bază de clor sau bureți de sârmă pentru vase.
- Nu utilizați aparate de curățat cu aburi.

REGLAREA POZIȚIEI DE MINIM A ROBINETELOR

⚠ Această operație trebuie să fie efectuată de un tehnician calificat.

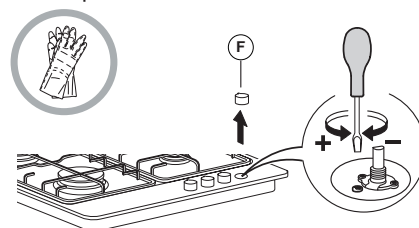
Reglajul trebuie efectuat cu robinetul în poziția de minim de gaz (flacără mică). Aerul primar al arzătoarelor nu trebuie să fie reglat.

Pentru a vă asigura că poziția de minim este corect reglată, scoateți butonul (F) și procedați după cum urmează:

- strângeți șurubul pentru a reduce înălțimea flăcării (-);
- slăbiți șurubul pentru a mări înălțimea flăcării (+).

După aceasta, aprindeți arzătoarele și rotiți butoanele de la poziția de maxim

la poziția de minim pentru a verifica stabilitatea flăcării.



După terminarea operației de reglare, resigilați folosind ceară sau un material echivalent.

- Nu folosiți produse inflamabile.
- Nu lăsați pe plită substanțe acide sau alcaline, cum ar fi oțet, muștar, sare, zahăr sau suc de lămâie.

CURĂȚAREA COMPONENTELOR PLITEI

- Curățați sticla și piesele emailate numai cu o cârpă sau un burete moale.
- Grătarele, capacele arzătoarelor și arzătoarele pot fi scoase pentru a fi curățate.
- Curățați-le manual, cu apă caldă și detergent neabraziv, înlăturând cu grijă toate resturile de mâncare și verificând ca niciun orificiu al arzătorului să nu fie infundat.
- Clătiți și uscați.
- **Grătarele din fontă pot fi curățate în mașina de spălat vase. Eliminați toate resturile alimentare arse înainte de a introduce grătarele în cel mai de jos coș al mașinii de spălat vase.**
- Puneți la loc arzătoarele și capacele arzătoarelor, în mod corect, în locașurile respective.

Hotpoint

ARISTON

- Când puneți la loc grătarele, asigurați-vă că zona pe care se așează oalele este aliniată cu arzătorul.
- Modelele echipate cu fișe pentru aprindere electrică și cu dispozitiv de siguranță necesită o curățare atentă a capătului fișei pentru a asigura funcționarea corectă. Verificați frecvent aceste piese și, dacă este necesar, curățați-le cu o cârpă umedă. Resturile arse de mâncare trebuie îndepărtate cu o scobitoare sau cu un ac.

NOTĂ: pentru a evita deteriorarea dispozitivului de aprindere electrică, nu-l folosiți atunci când arzătoarele nu sunt în locașurile lor.

REMEDIEREA DEFECȚIUNILOR

Dacă plita nu funcționează corect, înainte de a apela la Serviciul de asistență tehnică, consultați Ghidul de remediere a defecțiunilor pentru a stabili care este problema.

1. Arzătorul nu se aprinde sau flacăra nu este uniformă

Verificați următoarele:

- Alimentarea electrică sau cu gaz să nu fie oprită și, mai ales, robinetul de alimentare cu gaz să fie deschis.
- Butelia de gaz (gaz lichid) să nu fie goală.
- Orificiile arzătorului să nu fie înfundate.
- Capătul fișei să nu fie murdar.
- Toate piesele arzătorului să fie poziționate corect.
- Să nu existe curenți de aer în apropierea plitei.

2. Arzătorul nu rămâne aprins

Verificați următoarele:

- La aprinderea arzătorului, butonul să fie ținut apăsat destul timp, astfel încât să se activeze dispozitivul de protecție.
- Orificiile arzătorului să nu fie înfundate lângă termocuplu.
- Capătul dispozitivului de siguranță să nu fie murdar.
- Reglarea debitului minim de gaz să fie corectă (consultați paragraful respectiv).

3. Recipientele nu sunt stabile

Verificați următoarele:

- Fundul recipientului să fie perfect plat.
- Recipientul să fie centrat pe arzător.
- Grătarele să nu fie schimbate între ele sau poziționate incorect.

Dacă problema persistă și după verificările de mai sus, luați legătura cu cel mai apropiat Serviciu de asistență tehnică.

SERVICIUL DE ASISTENȚĂ TEHNICĂ POST-VÂNZARE

Pentru a beneficia de servicii complete de asistență, vă rugăm să vă înregistrați produsul pe www.hotpoint.eu/register.

ÎNAINTE DE A CONTACTA SERVICIUL DE ASISTENȚĂ TEHNICĂ POSTVÂNZARE:

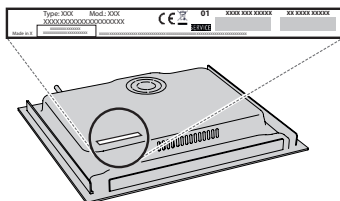
1. Încercați să rezolvați singuri problema, cu ajutorul recomandărilor din **GHIDUL DE REMEDIERE A DEFECȚIUNILOR**.
2. Opriți și puneți din nou în funcțiune aparatul pentru a verifica dacă defecțiunea persistă.

DACĂ PROBLEMA PERSISTĂ CHIAR ȘI DUPĂ CONTROALELE MENȚIONATE, CONTACTAȚI CEL MAI APROPIAT SERVICIU DE ASISTENȚĂ TEHNICĂ POST-VÂNZARE.

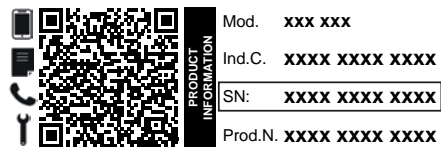
Pentru asistență, sunați la numărul de telefon specificat pe certificatul de garanție sau urmați instrucțiunile de pe site-ul web www.hotpoint.eu.

Atunci când contactați serviciul de asistență tehnică post-vânzare, specificați întotdeauna:

- o scurtă descriere a defecțiunii;
- tipul și modelul exact al aparatului;



- numărul de serie (numărul de după cuvântul SN de pe plăcuța cu date tehnice, amplasată sub aparat). De asemenea, numărul de serie este indicat în documentație;



- adresa dumneavoastră completă;
- numărul dumneavoastră de telefon

Dacă sunt necesare orice fel de reparații, vă rugăm să contactați un serviciu de asistență tehnică post-vânzare autorizat (pentru a avea garanția că se folosesc piese de schimb originale și că reparațiile vor fi executate corect).

Politicile, documentația standard și informații suplimentare despre produs pot fi găsite:

- Utilizând codul QR de pe aparat;
- Vizitând site-ul nostru web docs.hotpoint.eu;
- Ca alternativă, **contactați serviciul nostru de asistență tehnică post-vânzare** (Consultați numărul de telefon din certificatul de garanție). Când contactați serviciul nostru de asistență tehnică post-vânzare, vă rugăm să precizați codurile specificate pe plăcuța cu date de identificare a produsului dumneavoastră.



⚠ Αυτές οι οδηγίες ισχύουν εάν εμφανίζεται στη συσκευή το σύμβολο της χώρας. Εάν το σύμβολο δεν εμφανίζεται στη συσκευή, πρέπει να ανατρέξετε στις τεχνικές οδηγίες που θα σας παρέχουν τις απαραίτητες οδηγίες για την τροποποίηση της συσκευής στην κατάσταση που απαιτείται για χρήση στη χώρα σας.

⚠ ΠΡΟΣΟΧΗ: Η χρήση της συσκευής μαγειρέματος με αέριο έχει ως αποτέλεσμα την παραγωγή θερμότητας, υγρασίας και προϊόντων καύσης στο χώρο όπου είναι εγκατεστημένη. Βεβαιωθείτε ότι η κουζίνα αερίζεται καλά ειδικά όταν η συσκευή βρίσκεται σε λειτουργία: διατηρείτε τις οπές εξαερισμού ανοιχτές ή εγκαταστήστε μια μηχανική συσκευή εξαερισμού (μηχανικός απορροφητήρας). Η παρατεταμένη εντατική χρήση της συσκευής μπορεί να απαιτεί περισσότερο εξαερισμό, όπως π.χ. το άνοιγμα του παραθύρου, ή πιο αποτελεσματικό εξαερισμό, αυξάνοντας το επίπεδο μηχανικού αερισμού (όταν υπάρχει).

⚠ Η μη ακριβής τήρηση των πληροφοριών σε αυτό το εγχειρίδιο μπορεί να προκαλέσει πυρκαγιά ή έκρηξη, με αποτέλεσμα υλικές ζημιές ή τραυματισμό.

Πριν χρησιμοποιήσετε τη συσκευή, διαβάστε αυτές τις οδηγίες για την ασφάλεια. Φυλάξτε τις οδηγίες σε κοντινό σημείο για μελλοντική αναφορά.

Αυτές οι οδηγίες και η συσκευή περιλαμβάνουν σημαντικές προειδοποιήσεις σχετικά με την ασφάλεια, τις οποίες πρέπει να τηρείτε σε κάθε περίπτωση. Ο κατασκευαστής δεν φέρει καμία ευθύνη για τη μη τήρηση αυτών των οδηγιών ασφαλείας, για ακατάλληλη χρήση της συσκευής ή λανθασμένη ρύθμιση των χειριστηρίων.

⚠ ΠΡΟΕΙΔΟΠΟΙΗΣΗ: Αν η επιφάνεια της εστίας είναι ραγισμένη, μην χρησιμοποιείτε τη συσκευή – κίνδυνος ηλεκτροπληξίας.

⚠ ΠΡΟΕΙΔΟΠΟΙΗΣΗ: Κίνδυνος πυρκαγιάς: μην αποθηκεύετε στοιχεία στις επιφάνειες μαγειρέματος.

⚠ ΠΡΟΣΟΧΗ: Η διαδικασία μαγειρέματος πρέπει να παρακολουθείται. Μια σύντομη διαδικασία μαγειρέματος πρέπει να παρακολουθείται συνεχώς.

⚠ ΠΡΟΕΙΔΟΠΟΙΗΣΗ: Είναι επικίνδυνο να μαγειρεύετε με λίπη ή λάδι σε εστία χωρίς επιτήρηση - κίνδυνος πυρκαγιάς. Μην προσπαθείτε ΠΟΤΕ να σβήσετε μια φωτιά με νερό, αλλά σβήστε τη συσκευή και μετά καλύψτε τη φλόγα, π.χ. με ένα καπάκι ή μια πυρίμαχη κουβέρτα.

⚠ Μην χρησιμοποιείτε τη μονάδα εστιών ως επιφάνεια εργασίας. Διατηρείται τα ρούχα ή άλλα εύφλεκτα υλικά μακριά από τη συσκευή, έως ότου όλα τα εξαρτήματα να έχουν κρυώσει εντελώς - κίνδυνος πυρκαγιάς.

⚠ Τα πολύ μικρά παιδιά (0-3 ετών) πρέπει να διατηρούνται μακριά από τη συσκευή. Κρατήστε τα μικρά παιδιά (3-8 ετών) μακριά από τη συσκευή εκτός εάν επιτηρούνται διαρκώς. Η συσκευή μπορεί να χρησιμοποιηθεί από παιδιά ηλικίας 8 ετών και άνω ή άτομα με μειωμένες σωματικές, αισθητηριακές ή διανοητικές ικανότητες ή με έλλειψη εμπειρίας και γνώσης της συσκευής, μόνο εφόσον βρίσκονται υπό επιτήρηση ή έχουν λάβει οδηγίες σχετικά με την ασφαλή χρήση της συσκευής και κατανοούν τους

κινδύνους που συνεπάγεται. Τα παιδιά απαγορεύεται να παίζουν με τη συσκευή. Ο καθαρισμός και η συντήρηση από τον χρήστη δεν πρέπει να εκτελούνται από παιδιά χωρίς επιτήρηση.

⚠ ΠΡΟΣΟΧΗ: Σε περίπτωση θραύσης της γυάλινης πλάκας: απενεργοποιήστε αμέσως όλες τις εστίες και οποιαδήποτε ηλεκτρική αντίσταση και απομονώστε τη συσκευή από την παροχή ρεύματος, μην αγγίζετε την επιφάνεια της συσκευής, μην χρησιμοποιείτε τη συσκευή. Το γυάλινο καπάκι μπορεί να σπάσει αν ζεσταθεί. Σβήστε όλες τις εστίες και την ηλεκτρική πλάκα πριν κλείσετε το καπάκι. Μην κλείνετε το καπάκι όταν η εστία είναι αναμμένη.

⚠ ΠΡΟΕΙΔΟΠΟΙΗΣΗ: Η συσκευή και τα προσβάσιμα εξαρτήματά της μπορεί να ζεσταθούν κατά τη διάρκεια της χρήσης. Πρέπει να είστε προσεκτικοί, ώστε να αποφεύγετε τυχόν επαφή με τα θερμαντικά στοιχεία. Τα παιδιά κάτω των 8 ετών δεν πρέπει να πλησιάζουν τη συσκευή, εκτός εάν επιτηρούνται διαρκώς.

⚠ Το φαγητό δεν πρέπει να μείνει μέσα ή πάνω στο προϊόν για περισσότερο από μία ώρα πριν ή μετά το μαγείρεμα.

ΕΠΙΤΡΕΠΟΜΕΝΗ ΧΡΗΣΗ

⚠ ΠΡΟΣΟΧΗ: Η συσκευή δεν προορίζεται για χρήση σε συνδυασμό με εξωτερικό χρονοδιακόπτη ή ξεχωριστό σύστημα απομακρυσμένου ελέγχου.

⚠ Η συσκευή αυτή έχει σχεδιαστεί για οικιακή χρήση καθώς και για παρόμοιες χρήσεις όπως: χώροι κουζίνας προσωπικού σε καταστήματα, γραφεία και σε άλλους χώρους εργασίας, αγροκτήματα, από πελάτες σε ξενοδοχεία, μοτέλ, bed & breakfast και άλλους χώρους κατοικίας.

⚠ Δεν επιτρέπεται οποιαδήποτε άλλη χρήση (π.χ. θέρμανση δωματίων).

⚠ Αυτή η συσκευή δεν προορίζεται για επαγγελματική χρήση. Μην χρησιμοποιείτε τη συσκευή σε εξωτερικό χώρο.

⚠ Χρησιμοποιείτε καθαρόλες και τηγάνια με πλάτος βάσης ίσο ή ελαφρώς μεγαλύτερο (ανατρέξτε στον ειδικό πίνακα). Βεβαιωθείτε ότι οι καθαρόλες στις σχάρες δεν προεξέχουν από το άκρο της μονάδας εστιών.

⚠ Η ακατάλληλη χρήση των σχαρών μπορεί να προκαλέσει ζημιά στη μονάδα εστιών: μην τοποθετείτε τις σχάρες ανάποδα και μην τις σέρνετε επάνω στη μονάδα εστιών.

Η φλόγα του καυστήρα δεν πρέπει να εκτείνεται μετά το άκρο του σκεύους. Εάν η επιφάνεια της εστίας είναι από γυάλινο υλικό, μην χρησιμοποιείτε παιδιά από χυτοσίδηρο (μαντέμι), φυσική πέτρα, πήλινα σκεύη και τηγάνια.

Μην χρησιμοποιείτε: Αντικείμενα που προκαλούν διάχυση της θερμότητας όπως μεταλλικά πλέγματα ή άλλου τύπου. Δύο καυστήρες ταυτόχρονα για ένα σκεύος (π.χ. καθαρόλα για ψάρι).

Εάν η ανάφλεξη του καυστήρα είναι δύσκολη λόγω ειδικών τοπικών συνθηκών στην παροχή αερίου, συνιστάται να στρίψετε το κουμπί στη ρύθμιση μικρής φλόγας και να επαναλάβετε τη διαδικασία.

Σε περίπτωση εγκατάστασης απορροφητήρα επάνω από τη μονάδα εστιών, ανατρέξτε στις οδηγίες του απορροφητήρα για τη σωστή απόσταση.

τα προστατευτικά ελαστικά πόδια στις σχάρες μπορεί να προκαλέσουν τον πνιγμό μικρών παιδιών. Αφού αφαιρέσετε τις σχάρες, βεβαιωθείτε ότι όλα τα ποδαράκια είναι σωστά τοποθετημένα.

ΕΓΚΑΤΑΣΤΑΣΗ

⚠ Ο χειρισμός και η εγκατάσταση της συσκευής πρέπει να γίνονται από δύο ή περισσότερα άτομα - κίνδυνος τραυματισμού. Χρησιμοποιείτε γάντια προστασίας για να αφαιρέσετε τη συσκευασία και να κάνετε την εγκατάσταση - κίνδυνος κοψίματος.

⚠ Οι συνδέσεις ηλεκτρικού ρεύματος και αερίου πρέπει να συμμορφώνονται με τον τοπικό κανονισμό.

⚠ Η εγκατάσταση, συμπεριλαμβανομένης της παροχής νερού (εάν υπάρχει), τις ηλεκτρικές συνδέσεις και τις επισκευές, πρέπει να πραγματοποιούνται από τεχνικά εξειδικευμένο προσωπικό. Μην επισκευάζετε και μην αντικαθιστάτε κανένα εξάρτημα της συσκευής, εκτός εάν αναφέρεται ρητά στο εγχειρίδιο χρήσης. Κρατήστε τα παιδιά μακριά από το χώρο εγκατάστασης. Μετά από την αποσυσκευασία της συσκευής, βεβαιωθείτε ότι δεν έχει προκληθεί ζημιά σε αυτήν κατά τη μεταφορά. Σε περίπτωση προβλημάτων, επικοινωνήστε με τον αντιπρόσωπο ή με το τμήμα τεχνικής υποστήριξης πελατών. Μετά την εγκατάσταση, τα υλικά συσκευασίας (πλαστικά, φελιζόλ, κ.λπ.) πρέπει να φυλάσσονται μακριά από τα παιδιά - κίνδυνος ασφυξίας. Η συσκευή πρέπει να αποσυνδέεται από την ηλεκτρική τροφοδοσία πριν από κάθε εργασία εγκατάστασης - κίνδυνος ηλεκτροπληξίας. Κατά την εγκατάσταση, βεβαιωθείτε ότι δεν έχει προκληθεί ζημιά στο καλώδιο τροφοδοσίας από τη συσκευή - κίνδυνος πυρκαγιάς ή ηλεκτροπληξίας. Ενεργοποιήστε τη συσκευή μόνο εφόσον ολοκληρωθεί η εγκατάσταση.

⚠ ΠΡΟΕΙΔΟΠΟΙΗΣΗ: Η τροποποίηση της συσκευής και του τρόπου εγκατάστασης της είναι απαραίτητα προκειμένου η συσκευή να χρησιμοποιείται σωστά και με ασφάλεια σε όλες τις επιπλέον χώρες.

⚠ Χρησιμοποιήστε ρυθμιστές πίεσης κατάλληλους για την πίεση αερίου που αναφέρεται στις οδηγίες.

⚠ Ο χώρος πρέπει να διαθέτει σύστημα εξαγωγής αέρα που θα αποβάλλει τους καπνούς καύσης.

⚠ Ο χώρος πρέπει επίσης να επιτρέπει την κατάλληλη κυκλοφορία του αέρα, καθώς ο αέρας είναι απαραίτητος για την κανονική καύση. Η ροή του αέρα δεν πρέπει να είναι λιγότερη από 2 m³/h για kW εγκατεστημένης ισχύος.

⚠ Το σύστημα κυκλοφορίας αέρα μπορεί να λαμβάνει αέρα απευθείας από το εξωτερικό μέσω σωλήνα με εσωτερική διατομή τουλάχιστον 100 cm², το άνοιγμα δεν πρέπει να υπόκειται σε κανενός είδους έμφραξη.

⚠ Το σύστημα μπορεί επίσης να παρέχει τον αέρα που απαιτείται για καύση έμμεσα, δηλ. από γειτονικούς χώρους εξοπλισμένους με σωλήνες κυκλοφορίας αέρα όπως περιγράφεται παραπάνω. Ωστόσο, αυτοί οι χώροι δεν πρέπει να είναι κοινόχρηστα δωμάτια, υπνοδωμάτια ή δωμάτια που ενδέχεται να παρουσιάζουν κίνδυνο πυρκαγιάς.

⚠ Το LPG βυθίζεται στο πάτωμα καθώς είναι βαρύτερο από τον αέρα. Συνεπώς, τα δωμάτια που περιέχουν φιάλες LPG πρέπει να είναι εφοδιασμένα με εξαεριστήρες για να επιτρέπουν τη διαφυγή αερίου σε περίπτωση διαρροής. Ως εκ τούτου, οι φιάλες LPG, είτε εντελώς γεμάτες ή εν μέρει γεμάτες, δεν πρέπει να

εγκαθίστανται ή να αποθηκεύονται σε χώρους ή αποθηκευτικούς χώρους που βρίσκονται κάτω από το έδαφος (κελάρια κλπ.). Συνιστάται να διατηρείτε μόνο τη φιάλη που χρησιμοποιείτε στο χώρο, τοποθετημένη έτσι ώστε να μην υπόκειται σε θερμότητα που παράγεται από εξωτερικές πηγές (φούρνοι, τζάκια, θερμάστρες κ.λπ.) που θα μπορούσαν να αυξήσουν τη θερμοκρασία της φιάλης πάνω από τους 50 °C.

Εάν έχετε δυσκολία στην περιστροφή των διακοπών των καυστήρων, παρακαλούμε επικοινωνήστε με το σέρβις για την αντικατάσταση της στρόφιγγας του καυστήρα εάν βρεθεί ότι είναι ελαττωματική.

Τα ανοίγματα που χρησιμοποιούνται για εξαερισμό και για διάχυση της θερμότητας δεν πρέπει ποτέ να καλύπτονται.

⚠ Εκτελέστε όλες τις εργασίες κοπής του επίπλου πριν να τοποθετήσετε τη συσκευή στο περίβλημα και αφαιρέστε προσεκτικά όλα τα ροκανίδια και τα πριονίδια.

⚠ Αν η συσκευή δεν εγκατασταθεί πάνω σε ένα φούρνο, πρέπει να τοποθετηθεί ένα διαχωριστικό πάνελ (δεν περιλαμβάνεται) στο χώρο κάτω από τη συσκευή.

ΣΥΝΔΕΣΗ ΑΕΡΙΟΥ

⚠ ΠΡΟΕΙΔΟΠΟΙΗΣΗ: Πριν από την εγκατάσταση, βεβαιωθείτε ότι οι τοπικές συνθήκες διανομής (τύπος αερίου και πίεση αερίου) και η ρύθμιση της συσκευής είναι συμβατά.

⚠ Βεβαιωθείτε ότι η πίεση παροχής αερίου είναι σύμφωνη με τις τιμές που υποδεικνύονται στον Πίνακα ("Χαρακτηριστικά καυστήρα και ακροφυσίου").

⚠ ΠΡΟΕΙΔΟΠΟΙΗΣΗ: Οι συνθήκες ρύθμισης αυτής της συσκευής αναγράφονται στην ετικέτα (ή στην πινακίδα στοιχείων).

⚠ ΠΡΟΕΙΔΟΠΟΙΗΣΗ: Η συσκευή αυτή δεν είναι συνδεδεμένη σε σύστημα εξαγωγής προϊόντων καύσης. Πρέπει να εγκατασταθεί και να συνδεθεί σύμφωνα με τους ισχύοντες κανονισμούς εγκατάστασης. Ιδιαίτερη προσοχή θα πρέπει να δοθεί στις απαιτήσεις σχετικά με τον αερισμό.

⚠ Αν η συσκευή συνδέεται με υγραέριο, πρέπει να σφίξετε τη βίδα ρύθμισης όσο το δυνατόν πιο σφιχτά.

⚠ ΣΗΜΑΝΤΙΚΟ: Εάν χρησιμοποιείται φιάλη αερίου, η δοχείο αερίου πρέπει να στηρίζεται σωστά (κάθετος προσανατολισμός).

⚠ ΠΡΟΕΙΔΟΠΟΙΗΣΗ: Αυτή η λειτουργία πρέπει να διεξαχθεί από εξειδικευμένο τεχνικό.

⚠ Χρησιμοποιήστε μόνο εύκαμπτο ή άκαμπτο μεταλλικό σωλήνα για τη σύνδεση αερίου.

⚠ Σύνδεση με άκαμπτο σωλήνα (από χαλκό ή χάλυβα) Η σύνδεση με το σύστημα αερίου πρέπει να γίνεται με τέτοιο τρόπο ώστε να μην υπάρχει κανενός είδους πίεση για τη συσκευή. Υπάρχει ένα ρυθμιζόμενο εξάρτημα σωλήνα σχήματος L στη γραμμή τροφοδοσίας της συσκευής και αυτό είναι εφοδιασμένο με μια τσιμούχα προκειμένου να αποφεύγονται οι διαρροές. Η τσιμούχα πρέπει πάντα να αντικαθίσταται μετά την περιστροφή του σωλήνα (η τσιμούχα παρέχεται με τη συσκευή). Το εξάρτημα του σωλήνα τροφοδοσίας αερίου είναι ένα κυλινδρικό αρσενικό εξάρτημα με σπείρωμα 1/2 αερίου.

⚠ Σύνδεση εύκαμπτου αγωγού από ανοξείδωτο χάλυβα σε σύνδεσμο με σπείρωμα. Το εξάρτημα του

σωλήνα τροφοδοσίας αερίου είναι ένα κυλινδρικό αρσενικό εξάρτημα με 1/2 σπείρωμα αερίου. Οι σωλήνες αυτοί πρέπει να εγκατασταθούν έτσι ώστε να μην υπερβαίνουν ποτέ τα 2000 mm κατά την πλήρη επέκτασή τους. Μόλις ολοκληρωθεί η σύνδεση, βεβαιωθείτε ότι ο εύκαμπτος μεταλλικός σωλήνας δεν έρχεται σε επαφή με κινούμενα μέρη και δεν συμπιέζεται. Χρησιμοποιείτε μόνο σωλήνες και τσιμούχες που συμμορφώνονται με τους ισχύοντες εθνικούς κανονισμούς.

⚠ ΣΗΜΑΝΤΙΚΟ: Εάν χρησιμοποιηθεί σωλήνας από ανοξείδωτο χάλυβα, πρέπει να τοποθετηθεί με τρόπο που να μην αγγίζει οποιοδήποτε κινούμενο σημείο της επίπλωσης. Πρέπει να δρομολογηθεί μέσω περιοχής χωρίς εμπόδια ώστε να μπορεί να ελεγχθεί σε ολόκληρο το μήκος του.

⚠ Η συσκευή πρέπει να συνδέεται στην κύρια τροφοδοσία αερίου ή στην φιάλη αερίου σύμφωνα με τους ισχύοντες εθνικούς κανονισμούς. Πριν κάνετε τη σύνδεση, βεβαιωθείτε ότι η συσκευή είναι συμβατή με την παροχή αερίου που θέλετε να χρησιμοποιήσετε. Εάν δεν συμβαίνει αυτό, ακολουθήστε τις οδηγίες που αναφέρονται στην παράγραφο «Προσαρμογή σε διαφορετικούς τύπους αερίου».

⚠ Μετά τη σύνδεση στην παροχή αερίου, ελέγξτε για διαρροές χρησιμοποιώντας διάλυμα σαπουνιού σε νερό. Ανάψτε τους καυστήρες και περιστρέψτε τους διακόπτες από τη θέση μέγιστης ρύθμισης 1* στη θέση ελάχιστης ρύθμισης 2*, για να ελέγξετε τη σταθερότητα της φλόγας.

ΠΡΟΣΑΡΜΟΓΗ ΣΕ ΔΙΑΦΟΡΕΤΙΚΟΥΣ ΤΥΠΟΥΣ ΑΕΡΙΟΥ
(Η εργασία αυτή πρέπει να πραγματοποιείται από εξειδικευμένο τεχνικό).

⚠ Προκειμένου να προσαρμόσετε τη συσκευή σε έναν τύπο αερίου διαφορετικό από τον τύπο για τον οποίο κατασκευάστηκε (αναγράφεται στην ετικέτα διαβάθμισης), ακολουθήστε τα ειδικά βήματα που υποδεικνύονται με τα σχέδια τοποθέτησης.

ΗΛΕΚΤΡΙΚΕΣ ΠΡΟΕΙΔΟΠΟΙΗΣΕΙΣ

⚠ ΣΗΜΑΝΤΙΚΟ: Πληροφορίες σχετικά με την κατανάλωση ρεύματος και τάσης παρέχονται στην πινακίδα τεχνικών χαρακτηριστικών.

⚠ Πρέπει να είναι δυνατή η αποσύνδεση της συσκευής από την ηλεκτρική τροφοδοσία με αφαίρεση του φιαλίου εάν η πρίζα είναι προσβάσιμη ή με χρήση του πολυπολικού διακόπτη που έχει εγκατασταθεί πριν από την πρίζα σύμφωνα με τα εθνικά πρότυπα ηλεκτρικής ασφάλειας και η συσκευή πρέπει να διαθέτει γείωση με βάση τα εθνικά πρότυπα ασφαλείας.

⚠ Το καλώδιο τροφοδοσίας πρέπει να έχει επαρκές μήκος ώστε να είναι δυνατή η σύνδεση της εντοιχισμένης συσκευής στην πρίζα. Μην τραβάτε το καλώδιο τροφοδοσίας.

⚠ Μην χρησιμοποιείτε καλώδια προέκτασης (μπαλαντέζες), πολύπριζα ή προσαρμογείς. Μετά την ολοκλήρωση της εγκατάστασης, δεν πρέπει να είναι δυνατή η πρόσβαση στα ηλεκτρικά εξαρτήματα. Μην

χρησιμοποιείτε τη συσκευή όταν είστε βρεγμένος ή με γυμνά πόδια. Μην χρησιμοποιήσετε τη συσκευή εάν έχει φθαρεί το ηλεκτρικό καλώδιο ή το φις, εάν δεν λειτουργεί κανονικά, εάν έχει πέσει ή εάν έχει υποστεί άλλη ζημιά.

⚠ Εάν το καλώδιο τροφοδοσίας έχει υποστεί ζημιά, πρέπει να αντικατασταθεί από τον κατασκευαστή, τον αντιπρόσωπο τεχνικής υποστήριξης ή άλλα καταρτισμένα άτομα, ώστε να αποφευχθούν τυχόν κίνδυνοι - κίνδυνος ηλεκτροπληξίας.


ΚΑΘΑΡΙΣΜΟΣ ΚΑΙ ΣΥΝΤΗΡΗΣΗ

⚠ ΠΡΟΕΙΔΟΠΟΙΗΣΗ: Πριν από οποιαδήποτε εργασία συντήρησης, βεβαιωθείτε ότι η συσκευή είναι σβηστή και αποσυνδεδεμένη από το δίκτυο τροφοδοσίας. Ποτέ μην χρησιμοποιείτε συσκευές καθαρισμού με ατμό - κίνδυνος ηλεκτροπληξίας.

⚠ Μην χρησιμοποιείτε αποξεστικά ή διαβρωτικά προϊόντα, καθαριστικά με βάση τη χλωρίνη ή συρμάτινα σφουγγαράκια.

⚠ Για να αποφύγετε τυχόν ζημιά στην ηλεκτρική ανάφλεξη, μην την χρησιμοποιείτε όταν οι καυστήρες δεν βρίσκονται στις υποδοχές τους.

ΑΠΟΡΡΙΨΗ ΥΛΙΚΩΝ ΣΥΣΚΕΥΑΣΙΑΣ


Τα υλικά της συσκευασίας είναι 100% ανακυκλώσιμα και φέρουν το σύμβολο της ανακύκλωσης .

Τα διάφορα μέρη της συσκευασίας πρέπει συνεπώς να απορρίπτονται με υπευθυνότητα και σε πλήρη συμμόρφωση με τους κανονισμούς της τοπικής δημοτικής αρχής όσον αφορά τη διάθεση αποβλήτων.

ΑΠΟΡΡΙΨΗ ΗΛΕΚΤΡΙΚΩΝ ΟΙΚΙΑΚΩΝ ΣΥΣΚΕΥΩΝ

Η συσκευή αυτή έχει κατασκευαστεί από ανακυκλώσιμα ή επαναχρησιμοποιήσιμα υλικά. Απορρίψτε σύμφωνα με τους κανονισμούς των τοπικών αρχών. Για περαιτέρω πληροφορίες σχετικά με την επεξεργασία, την ανάκτηση και την ανακύκλωση των ηλεκτρικών οικιακών συσκευών, επικοινωνήστε με τις αρμόδιες τοπικές αρχές, την υπηρεσία συλλογής οικιακών αποβλήτων ή το κατάστημα από όπου αγοράσατε αυτό το προϊόν. Αυτή η συσκευή επισμαίνεται σύμφωνα με την Ευρωπαϊκή Οδηγία 2012/19/ΕΕ, Απόβλητα Ηλεκτρικού και Ηλεκτρονικού Εξοπλισμού (ΑΗΗΕ) και με τους κανονισμούς 2013 για τα Απόβλητα Ηλεκτρικού και Ηλεκτρονικού Εξοπλισμού (όπως τροποποιήθηκε).

Εξασφαλίζοντας τη σωστή απόρριψη αυτού του προϊόντος, θα βοηθήσετε στην αποτροπή των πιθανών βλαβερών συνεπειών για το περιβάλλον και την ανθρώπινη υγεία.

Το σύμβολο  στο προϊόν ή στα συνοδευτικά έντυπα υποδεικνύει ότι πρέπει να αντιμετωπίζεται ως οικιακό απόρριμμα αλλά πρέπει να μεταφέρετε στο κατάλληλο κέντρο συλλογής για ανακύκλωση ηλεκτρονικού και ηλεκτρικού εξοπλισμού.

ΣΥΜΒΟΥΛΕΣ ΓΙΑ ΕΞΟΙΚΟΝΟΜΗΣΗ ΕΝΕΡΓΕΙΑΣ

Χρησιμοποιείτε καταρρόλες και τηγάνια με διάμετρο βάσης ίση με τη διάμετρο της εστίας.

Χρησιμοποιήστε μόνο καταρρόλες και τηγάνια με επίπεδη βάση.

Εάν είναι δυνατό, διατηρείτε τα σκεύη σκεπασμένα κατά το μαγείρεμα.

Η χρήση χύτρας ταχύτητας μειώνει ακόμη περισσότερο την κατανάλωση ενέργειας και το χρόνο μαγειρέματος.

ΔΗΛΩΣΗ ΣΥΜΜΟΡΦΩΣΗΣ

Η συσκευή αυτή πληροί τις απαιτήσεις οικολογικού σχεδιασμού του Ευρωπαϊκού κανονισμού 66/2014 και τον οικολογικό σχεδιασμό για σχετικά με την ενέργεια προϊόντα και ενεργειακές πληροφορίες (Τροποποίηση) (ΕΕ Exit) Κανονισμοί 2019, σύμφωνα με το Ευρωπαϊκό πρότυπο EN 30-2-1.

Τύπος χρησιμοποιούμενου αερίου	Τύπος καυστήρα	Ένδειξη ακροφυσίου	Ονομαστική θερμική ροή kW	Ονομαστική κατανάλωση	Μειωμένη θερμική ικανότητα kW	Πίεση αερίου mbar		
						ελαχ.	ονομ.	μέγ.
ΦΥΣΙΚΟ ΑΕΡΙΟ (Μεθάνιο) G20	Ταχύς (R) Ημι-ταχύς (SR) Βοηθητικός (AUX)	128 B 97 A 78 A	3,00 1,65 1,00	286 λίτρα/ώρα 157 λίτρα/ώρα 95 λίτρα/ώρα	0,70 0,40 0,40	17	20	25
ΥΓΡΑΕΡΙΟ (Βουτάνιο) G30	Ταχύς (R) Ημι-ταχύς (SR) Βοηθητικός (AUX)	85 A 66 A 50	3,00 1,65 1,00	218 γρ./ώρα 120 γρ./ώρα 73 γρ./ώρα	0,70 0,40 0,40	20	28-30	35
ΥΓΡΑΕΡΙΟ (Προπάνιο) G31	Ταχύς (R) Ημι-ταχύς (SR) Βοηθητικός (AUX)	85 A 66 A 50	3,00 1,65 1,00	214 γρ./ώρα 118 γρ./ώρα 71 γρ./ώρα	0,70 0,40 0,40	25	37	45

Τύπος χρησιμοποιούμενου αερίου	Διαμόρφωση μοντέλου 4 ΚΑΥΣΤΗΡΕΣ	Ονομαστική θερμική ροή (kW)	Συνολική ονομαστική κατανάλωση	Αέρας που απαιτείται (m ³) για καύση 1m ³ αερίου
G20 20 mbar	1R - 2SR - 1AUX	7,30	695 λίτρα/ώρα	9,52
G30 28-30 mbar	1R - 2SR - 1AUX	7,30	531 γρ./ώρα	30,94
G31 37 mbar	1R - 2SR - 1AUX	7,30	521 γρ./ώρα	23,80

ΗΛΕΚΤΡΙΚΗ ΠΑΡΟΧΗ: 220-240 V ~ 50-60 Hz - 1,1 W

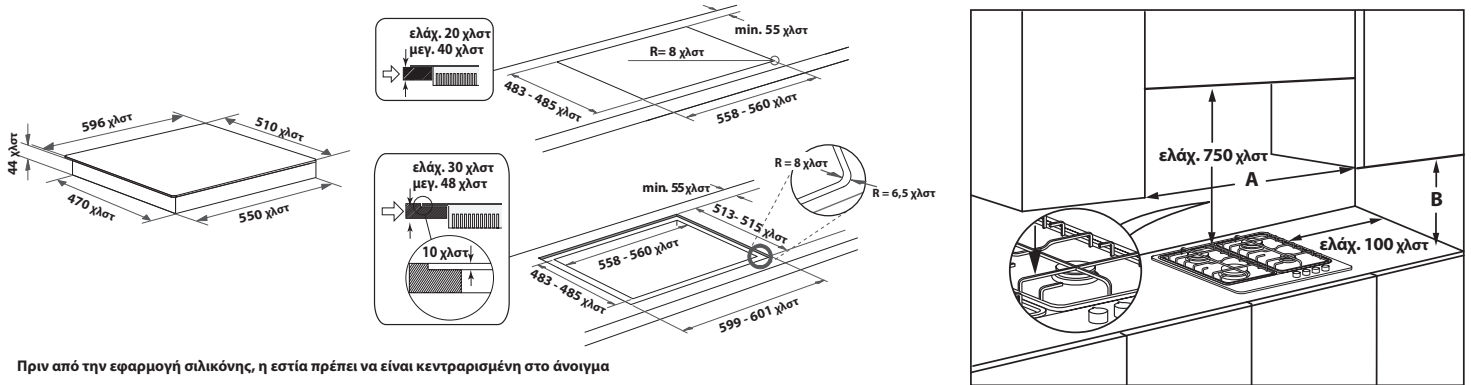


ΕΓΚΑΤΑΣΤΑΣΗ (ΚΑΤΗΓΟΡΙΑ 3)

ΤΕΧΝΙΚΕΣ ΠΛΗΡΟΦΟΡΙΕΣ ΓΙΑ ΤΟΝ ΤΕΧΝΙΚΟ ΕΓΚΑΤΑΣΤΑΣΗΣ

- Χρησιμοποιήστε προστατευτικά γάντια για το χειρισμό, την προετοιμασία και την εγκατάσταση του προϊόντος.
- Το προϊόν αυτό μπορεί να εντοιχιστεί σε πάγκο εργασίας πάχους 20 έως 40 χλστ, με την κανονική εγκατάσταση. Για χωνευτή εγκατάσταση 30 ÷ 48 χλστ.
- Εάν δεν υπάρχει φούρνος κάτω από τη μονάδα εστιών, τοποθετήστε μια διαχωριστική επιφάνεια τουλάχιστον ίση με το άνοιγμα στον πάγκο εργασίας. Η επιφάνεια αυτή πρέπει να τοποθετηθεί σε απόσταση το πολύ 150 χλστ. κάτω από την επάνω επιφάνεια του πάγκου εργασίας, αλλά σε καμία περίπτωση σε απόσταση μικρότερη από 20 χλστ. από το κάτω μέρος της μονάδας εστιών. Εάν πρόκειται να εγκαταστήσετε φούρνο κάτω από τη μονάδα εστιών, βεβαιωθείτε ότι ο φούρνος διαθέτει σύστημα ψύξης.

ΔΙΑΣΤΑΣΕΙΣ ΚΑΙ ΑΠΟΣΤΑΣΕΙΣ ΠΟΥ ΠΡΕΠΕΙ ΝΑ ΤΗΡΟΥΝΤΑΙ



Πριν από την εφαρμογή σιλικόνης, η εστία πρέπει να είναι κεντραρισμένη στο άνοιγμα

ΣΗΜΕΙΩΣΗ: Αν η απόσταση «Α» ανάμεσα στα τοιχώματα του ντουλαπιού είναι από 600 χλστ. έως 730 χλστ., το ύψος «Β» πρέπει να είναι τουλάχιστον 530 χλστ. Αν η απόσταση «Α» ανάμεσα στα τοιχώματα του ντουλαπιού είναι μεγαλύτερη από το πλάτος της μονάδας εστιών, το ύψος «Β» πρέπει να είναι τουλάχιστον 400 χλστ.

Σε περίπτωση εγκατάστασης απορροφητήρα επάνω από τη μονάδα εστιών, ανατρέξτε στις οδηγίες του απορροφητήρα για τη σωστή απόσταση.

ΣΥΝΑΡΜΟΛΟΓΗΣΗ

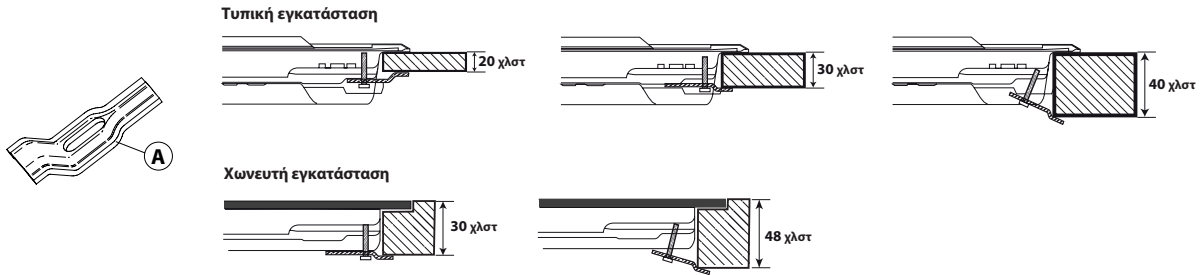
Αφού καθαρίσετε την περιμετρική επιφάνεια, τοποθετήστε την παρεχόμενη φλάντζα στην εστία όπως φαίνεται στην εικόνα.

Τοποθετήστε τη μονάδα εστιών στο άνοιγμα του πάγκου εργασίας που κατασκευάστηκε σύμφωνα με τις διαστάσεις που αναφέρονται στις οδηγίες.



ΣΗΜΕΙΩΣΗ: το καλώδιο τροφοδοσίας πρέπει να είναι αρκετά μακρύ ώστε να επιτρέπει την προς τα επάνω δρομολόγησή του.

Για τη στήριξη της μονάδας εστιών, χρησιμοποιήστε τα παρεχόμενα στηρίγματα (Α). Τοποθετήστε τα στηρίγματα στις αντίστοιχες οπές που απεικονίζονται με το βέλος και σφίξτε τα με τις βίδες τους ανάλογα με το πάχος του πάγκου εργασίας (ανατρέξτε στις παρακάτω εικόνες).

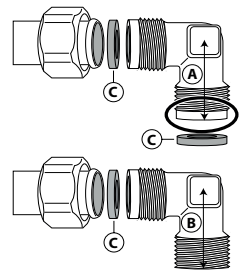


ΣΥΝΔΕΣΗ ΑΕΡΙΟΥ

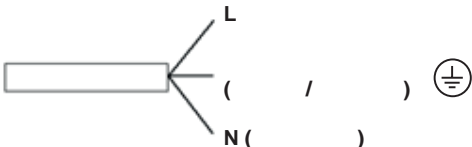
- Συνδέστε την παρεχόμενη γωνία (Α)* ή (Β)* στον κύριο σωλήνα εισόδου της μονάδας εστιών και παρεμβάλετε τη ροδέλα (C) σε συμμόρφωση με το πρότυπο EN 549.

* Χρησιμοποιήστε τη γωνία (Α) για τη Γαλλία και τη γωνία (Β) για όλες τις υπόλοιπες χώρες.

- Μετά τη σύνδεση στην παροχή αερίου, ελέγξτε για διαρροές χρησιμοποιώντας διάλυμα σαπουνιού σε νερό. Ανάψτε τους καυστήρες και στρίψτε τα κουμπιά από τη θέση μέγιστης ρύθμισης Δ στη θέση ελάχιστης ρύθμισης δ για να ελέγξετε τη σταθερότητα της φλόγας.



ΣΥΝΔΕΣΗ ΑΕΡΙΟΥ ΧΩΝΕΥΤΗ ΕΓΚΑΤΑΣΤΑΣΗ





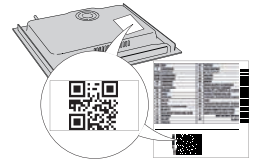
ΣΑΣ ΕΥΧΑΡΙΣΤΟΥΜΕ ΠΟΥ ΑΓΟΡΑΣΑΤΕ ΕΝΑ ΠΡΟΪΟΝ HOTPOINT

Για να λάβετε πλήρη τεχνική υποστήριξη, παρακαλούμε να καταχωρίσετε τη συσκευή σας στην ιστοσελίδα www.hotpoint.eu/register.

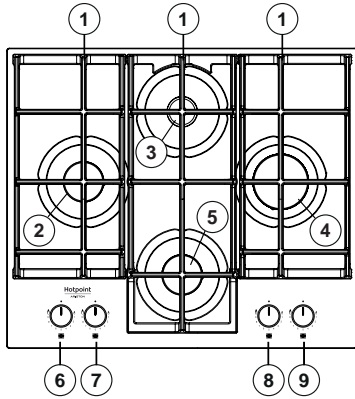


Διαβάστε τις οδηγίες για την ασφάλεια προσεκτικά πριν χρησιμοποιήσετε τη συσκευή.

ΣΑΡΩΣΤΕ ΤΟΝ ΚΩΔΙΚΟ QR ΣΤΗ ΣΥΣΚΕΥΗ ΣΑΣ ΓΙΑ ΠΕΡΙΣΣΟΤΕΡΕΣ ΠΛΗΡΟΦΟΡΙΕΣ



ΠΕΡΙΓΡΑΦΗ ΠΡΟΪΟΝΤΟΣ



1. Αφαιρούμενες σχάρες στήριξης σκευών
2. Ημι-ταχύς καυστήρας
3. Βοηθητικός καυστήρας
4. Ταχύς καυστήρας
5. Ημι-ταχύς καυστήρας
6. Κουμπί ημι-ταχέως καυστήρα
7. Κουμπί ημι-ταχέως καυστήρα
8. Διακόπτης βοηθητικού καυστήρα
9. Κουμπί Ταχύς καυστήρα

Σύμβολα

- Κύκλος με σκίαση ● Κλειστή στρόφιγγα
- Μεγάλη φλόγα 🔥 Μέγιστο άνοιγμα/παροχή και ηλεκτρική ανάφλεξη
- Μικρή φλόγα 🔥 Ελάχιστο άνοιγμα ή μειωμένη παροχή



ΚΑΘΗΜΕΡΙΝΗ ΧΡΗΣΗ

ΤΡΟΠΟΣ ΧΡΗΣΗΣ ΤΗΣ ΜΟΝΑΔΑΣ ΕΣΤΙΩΝ

⚠ Η φλόγα του καυστήρα δεν πρέπει να εκτείνεται πέρα από την άκρη του σκεύους.

ΣΗΜΑΝΤΙΚΟ: όταν χρησιμοποιείται η μονάδα εστιών, ενδεχεται να ζεσταθεί ολοκληρή η περιοχή της μονάδας εστιών.

- Για να ανάψετε τους καυστήρες, στρίψτε το αντίστοιχο κουμπί προς τα αριστερά στη ρύθμιση μέγιστης φλόγας.
- Πατήστε το κουμπί στον πίνακα ελέγχου για να ανάψει ο καυστήρας.
- Αφού ανάψει ο καυστήρας, κρατήστε το κουμπί πατημένο για περίπου 5-10 δευτερόλεπτα ώστε να λειτουργήσει σωστά η διάταξη.
- Αυτή η διάταξη ασφαλείας του καυστήρα διακόπτει την παροχή αερίου προς τον καυστήρα εάν η φλόγα σβήσει κατά λάθος (λόγω ξαφνικού ρεύματος αέρα, διακοπής στην παροχή αερίου, υπερχειλίσσης υγρού που βράζει κλπ.).
- **Μην πατάτε το κουμπί για περισσότερο από 15 δευτερόλεπτα. Εάν μετά το διάστημα αυτό ο καυστήρας δεν παραμένει αναμμένος, περιμένετε τουλάχιστον ένα λεπτό πριν επιχειρήσετε να τον ανάψετε ξανά.**

ΣΗΜΕΙΩΣΗ: Εάν η ανάφλεξη του καυστήρα είναι δύσκολη λόγω ειδικών τοπικών συνθηκών στην παροχή αερίου, συνιστάται να στρίψετε το κουμπί στη ρύθμιση μικρής φλόγας και να επαναλάβετε τη διαδικασία.

Ο καυστήρας μπορεί να σβήσει όταν αφήσετε το κουμπί. Αυτό σημαίνει ότι η διάταξη ασφαλείας δεν έχει ζεσταθεί αρκετά. Στην περίπτωση αυτή, επαναλάβετε τη διαδικασία που περιγράφεται παρακάτω.

Στην περίπτωση τυχούσ σβησίματος των φλογών του καυστήρα, κλείστε τον επιλογέα χειρισμού και ξαναπροσπαθήστε το άναμμα μετά από τουλάχιστον 1 λεπτό.

ΠΡΑΚΤΙΚΕΣ ΣΥΜΒΟΥΛΕΣ ΓΙΑ ΤΗ ΧΡΗΣΗ ΤΩΝ ΚΑΥΣΤΗΡΩΝ

Αυτή η μονάδα εστιών διαθέτει καυστήρες διαφορετικής διαμέτρου. Για τη βέλτιστη απόδοση των καυστήρων, τηρήστε τους παρακάτω κανόνες:

- Χρησιμοποιήστε κατσαρόλες και τηγάνια με πλάτος βάσης ίσο ή ελαφρώς μεγαλύτερο από τους καυστήρες (ανατρέξτε στον πίνακα στα δεξιά);
- Χρησιμοποιήστε μόνο κατσαρόλες και τηγάνια με επίπεδη βάση;
- Χρησιμοποιήστε τη σωστή ποσότητα νερού για το μαγείρεμα των φαγητών και διατηρείτε τις κατσαρόλες σκεπασμένες;
- Βεβαιωθείτε ότι οι κατσαρόλες στις σχάρες δεν προεξέχουν από την άκρη της μονάδας εστιών.
- Για σκεύη με κυρτή βάση (WOK), χρησιμοποιήστε την ειδική σχάρα στήριξης που παρέχεται, η οποία πρέπει να τοποθετείται μόνο στους καυστήρες πολλαπλών δακτυλίων φλόγας.
- Αποφύγετε τυχούσα χτυπήματα με κατσαρόλες ή άλλα σκεύη κουζίνας.
- Μην αφήνετε τηγάνια γκριλ στο φούρνο αναμμένο για περισσότερο από 5 λεπτά.

ΣΗΜΑΝΤΙΚΟ: Η ακατάλληλη χρήση των σχαρών μπορεί να προκαλέσει ζημιά στη μονάδα εστιών: μην τοποθετείτε τις σχάρες ανάποδα και μην

τις σέρνετε επάνω στη μονάδα εστιών.

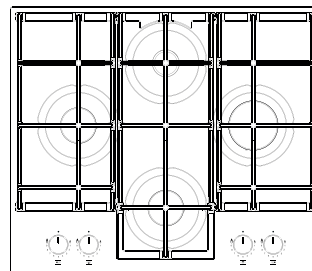
ΚΑΥΣΤΗΡΑΣ	Ø ΚΑΤΣΑΡΟΛΑΣ
Ταχύς	Από 24 έως 26 εκ.
Ημι-ταχύς	Από 16 έως 22 εκ.
Βοηθητικός	Από 8 έως 14 εκ.

Μην χρησιμοποιείτε:

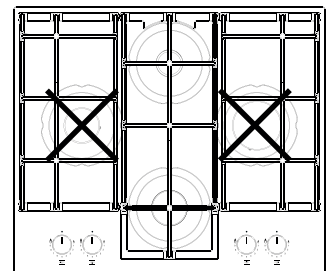
- Πλάκες ψησίματος από χυτοσίδηρο, σκεύη από φυσική πέτρα, κεραμικές κατσαρόλες και τηγάνια;
- Αντικείμενα που προκαλούν διάχυση της θερμότητας όπως μεταλλικά πλέγματα ή άλλου τύπου;
- Δύο καυστήρες ταυτόχρονα για ένα σκεύος (π.χ. κατσαρόλα για ψάρι).

Εάν χυθούν υγρά στη ζεστή περιοχή των εστιών μπορεί να προκληθεί ζημιά στο γυαλί.

Η ΣΩΣΤΗ ΤΟΠΟΘΕΤΗΣΗ ΤΩΝ ΠΛΕΓΜΑΤΩΝ



OK



NO/OK

ΠΡΟΣΑΡΜΟΓΗ ΣΕ ΔΙΑΦΟΡΕΤΙΚΟΥΣ ΤΥΠΟΥΣ ΑΕΡΙΟΥ

⚠ Η εργασία αυτή πρέπει να γίνει από εξειδικευμένο τεχνικό.

Εάν η συσκευή πρόκειται να χρησιμοποιηθεί με αέριο διαφορετικό από τον τύπο του αερίου που αναγράφεται στην πινακίδα τεχνικών στοιχείων και στην επικέτα πληροφοριών στο επάνω μέρος της μονάδας εστιών, αντικαταστήστε τα μπεκ. Αφαιρέστε την επικέτα πληροφοριών και φυλάξτε την μαζί με το εγχειρίδιο οδηγιών.

Χρησιμοποιήστε ρυθμιστές πίεσης κατάλληλους για την πίεση αερίου που αναφέρεται στις οδηγίες:

- Το ακροφύσιο αερίου πρέπει να αντικατασταθεί από συνεργάτη μας μέσω του κέντρου εξυπηρέτησης πελατών ή από εξειδικευμένο τεχνικό;

- Τα ακροφύσια που δεν παρέχεται με τη συσκευή πρέπει να τα παραγγείλετε από το κέντρο εξυπηρέτησης πελατών;
- Προσαρμόστε την ελάχιστη ρύθμιση για τις στρόφιγγες.

ΣΗΜΕΙΩΣΗ: Εάν χρησιμοποιείται υγραέριο (G30/G31), η βίδα ελάχιστης ρύθμισης αερίου πρέπει να σφιχτεί μέχρι τέρμα.

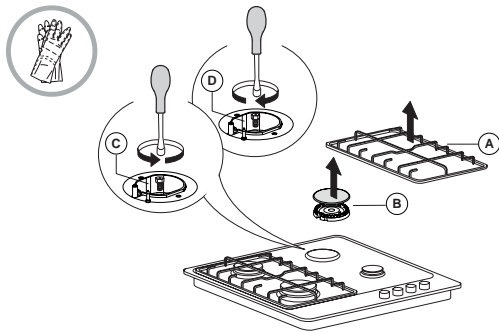
ΣΗΜΑΝΤΙΚΟ: Εάν δυσκολεύεστε κατά το στρίψιμο των κουμπιών των καυστήρων, επικοινωνήστε με το κέντρο εξυπηρέτησης πελατών για την αντικατάσταση της στρόφιγγας του καυστήρα εάν διαπιστωθεί ότι είναι ελαττωματική.

ΣΗΜΑΝΤΙΚΟ: Εάν χρησιμοποιείται φιάλη αερίου, η φιάλη πρέπει να στηρίζεται σωστά (κάθετος προσανατολισμός).

ΑΝΤΙΚΑΤΑΣΤΑΣΗ ΤΩΝ ΜΠΕΚ (ανατρέξτε στον πίνακα των μπεκ στις Οδηγίες για την ασφάλεια)

⚠ Η εργασία αυτή πρέπει να γίνει από εξειδικευμένο τεχνικό.

- Αφαιρέστε τις σχάρες (A).
- Αφαιρέστε τους καυστήρες (B).
- Χρησιμοποιώντας σωληνωτό κλειδί κατάλληλου μεγέθους, ξεβιδώστε (C) το μπεκ που χρειάζεται αντικατάσταση.
- Αντικαταστήστε το με μπεκ κατάλληλο για τον νέο τύπο αερίου.
- Συναρμολογήστε το μπεκ στο (D).



Πριν εγκαταστήσετε τη μονάδα εστιών, στερεώστε την πινακίδα βαθμονόμησης αερίου που παρέχεται με τα μπεκ με τρόπο που να καλύπτει τις υπάρχουσες πληροφορίες για τη βαθμονόμηση του αερίου.

ΠΙΝΑΚΑΣ ΨΗΣΙΜΑΤΟΣ

ΕΠΙΠΕΔΟ	ΜΕΘΟΔΙΣΜΕ/ΤΥΠΟΣ ΨΗΣΙΜΑΤΟΣ (ΠΡΟΤΕΙΝΟΜΕΝΟ ΓΙΑ)	ΣΥΜΒΟΥΛΕΣ ΜΑΓΕΙΡΕΜΑΤΟΣ
1-2	ΔΙΑΤΗΡΗΣΗ ΖΕΣΤΟ	Ιδανικό για μαλάκωμα βουτύρου, απαλό λιώσιμο σοκολάτας σε μπεν-μαρί, απόψυξη μικρών πακέτων, κρεμώδες ριζότο.
	ΕΛΑΦΡΥ ΨΗΣΙΜΟ	
3-4	ΣΙΓΟΒΡΑΣΙΜΟ	Ιδανικό για αργό μαγείρ. συνταγών (ρύζι, σάλτσες, ψητό, ψάρι) με υγρά (νερό, κρασί, ζωμός) και για και συμπύκνωση υγρών σε ζυμαρικά, διατήρηση σιγοβρασίματος.
	ΒΡΑΣΤΟ	
5-6	ΨΗΤΟ	Ιδανικό για σοτάρισμα, βράσιμο λαχανικών, ψήσιμο για μεγαλύτερο διάστημα, αξεσουάρ προθέρμανσης, μαγειρέματος έως κρεμώδες.
	ΤΗΓΑΝΙΣΜΑ	
7-8	ΣΤΙΡ-ΦΡΑΙ	Ιδανικό για ροδοκοκκίνισμα, έναρξη μαγειρέματος, ταχεία επίτευξη βρασμού σε υγρά, τηγάνισμα κατεψυγμένων προϊόντων, κρέας και ψάρι στη σχάρα, διατήρηση βρασμού.
	ΨΗΣΙΜΟ ΣΤΟ ΓΚΡΙΑ	
9	ΓΡΗΓΟΡΟ ΖΕΣΤΑΜΑ	Ιδανικό για γρήγορη αύξηση της θερμοκρασίας του φαγητού ή για ζέσταμα υγρών (νερό).

ΚΑΘΑΡΙΣΜΟΣ ΚΑΙ ΣΥΝΤΗΡΗΣΗ

⚠ Αποσυνδέστε τη συσκευή από το ηλεκτρικό δίκτυο.

ΚΑΘΑΡΙΣΜΟΣ ΤΗΣ ΕΠΙΦΑΝΕΙΑΣ ΤΗΣ ΜΟΝΑΔΑΣ ΕΣΤΙΩΝ

- Όλα τα εμαγιέ και γυάλινα εξαρτήματα πρέπει να καθαρίζονται με διάλυμα ζεστού νερού και ουδέτερου απορρυπαντικού.
- Το σκληρό νερό και τα διαβρωτικά απορρυπαντικά μπορεί να προκαλέσουν κηλίδες στις επιφάνειες από ανοξείδωτο χάλυβα σε περίπτωση παρατεταμένης επαφής. Καθαρίζετε αμέσως τα υγρά που χύνονται (νερό, σάλτσα, καφές κ.λπ.) πριν στεγνώσουν.

ΠΡΟΣΑΡΜΟΓΗ ΕΛΑΧΙΣΤΗΣ ΡΥΘΜΙΣΗΣ ΠΑΡΟΧΗΣ ΑΕΡΙΟΥ ΣΤΙΣ ΣΤΡΟΦΙΓΓΕΣ

⚠ Η εργασία αυτή πρέπει να γίνει από εξειδικευμένο τεχνικό.

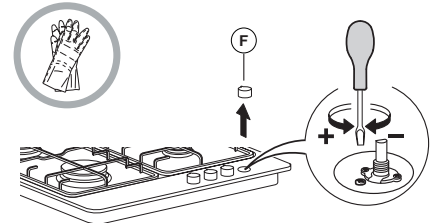
Η προσαρμογή πρέπει να γίνει με τη στρόφιγγα στη θέση ελάχιστης ρύθμισης παροχής (μικρή φλόγα).

Ο πρωτεύων αέρας των καυστήρων δεν χρειάζεται ρύθμιση.

Για να διασφαλιστεί η σωστή προσαρμογή της ελάχιστης ρύθμισης παροχής, αφαιρέστε το κουμπί (F) και ακολουθήστε την παρακάτω διαδικασία:

- σφίξτε τη βίδα για να μειώσετε το ύψος της φλόγας (-);
- λασκάρτε τη βίδα για να αυξήσετε το ύψος της φλόγας (+).

Στη συνέχεια, ανάψτε τους καυστήρες και στρίψτε τα κουμπιά από τη θέση μέγιστης ρύθμισης (στη θέση ελάχιστης ρύθμισης) για να ελέγξετε τη σταθερότητα της φλόγας.



Όταν ολοκληρωθεί η προσαρμογή, σφραγίστε ξανά το σημείο χρησιμοποιώντας βουλοκέρι ή άλλο αντίστοιχο υλικό.

- Καθαρίστε την επιφάνεια με διάλυμα ζεστού νερού και ουδέτερου απορρυπαντικού και σκουπίστε την με μαλακό πανί ή δέρμα. Απομακρύνετε τα υπολείμματα που έχουν ξεραθεί με ειδικό καθαριστικό για επιφάνειες από ανοξείδωτο χάλυβα.

ΣΗΜΕΙΩΣΗ: Καθαρίζετε τις επιφάνειες από ανοξείδωτο χάλυβα μόνο με μαλακό πανί ή σφουγγάρι.

- Μην χρησιμοποιείτε αποξεστικά ή διαβρωτικά προϊόντα, καθαριστικά με βάση τη χλωρίνη ή συρμάτινα σφουγγαράκια.
- Μην χρησιμοποιείτε συσκευές καθαρισμού με ατμό.
- Μην χρησιμοποιείτε εύφλεκτα προϊόντα.

Hotpoint

ARISTON

- Μην αφήνετε στη μονάδα εστιών όξινες ή αλκαλικές ουσίες όπως ξίδι, μουστάρδα, αλάτι, ζάχαρη ή χυμό λεμονιού.

ΚΑΘΑΡΙΣΜΟΣ ΤΩΝ ΕΞΑΡΤΗΜΑΤΩΝ ΤΗΣ ΜΟΝΑΔΑΣ ΕΣΤΙΩΝ

- Καθαρίζετε τα γυάλινα και εμαγιέ εξαρτήματα μόνο με μαλακό πανί ή σφουγγάρι.
- Μπορείτε να αφαιρέσετε τις σχάρες, τα καπάκια των καυστήρων και τους καυστήρες για να τους καθαρίσετε.
- Καθαρίστε τα εξαρτήματα με το χέρι χρησιμοποιώντας ζεστό νερό και μη διαβρωτικό απορρυπαντικό, απομακρύνετε τα υπολείμματα φαγητού και βεβαιωθείτε ότι κανένα από τα ανοίγματα του καυστήρα δεν είναι φραγμένο.
- Ξεπλύνετε και σκουπίστε τα εξαρτήματα.
- Οι σχάρες από χυτοσίδηρο μπορούν να καθαριστούν στο πλυντήριο πιάτων. Αφαιρέστε τυχόν καμένα τρόφιμα πριν τοποθετήσετε τις σχάρες στο χαμηλότερο ράφι του πλυντηρίου πιάτων.**

- Τοποθετήστε ξανά τους καυστήρες και τα καπάκια των καυστήρων σωστά στις αντίστοιχες υποδοχές.
- Κατά την επανατοποθέτηση των σχαρών, βεβαιωθείτε ότι η περιοχή στήριξης του σκεύους είναι ευθυγραμμισμένη με τον καυστήρα.
- Στα μοντέλα με ηλεκτρικούς σπινθηριστές και διατάξεις προστασίας, απαιτείται σχολαστικός καθαρισμός του άκρου του σπινθηριστή ώστε να διασφαλιστεί η σωστή λειτουργία. Ελέγχετε τα εξαρτήματα αυτά τακτικά και, εάν απαιτείται, καθαρίστε τα με υγρό πανί. Τα υπολείμματα φαγητών που ξεράθηκαν κατά το μαγείρεμα πρέπει να αφαιρούνται με οδοντογλυφίδα ή βελόνα.

ΣΗΜΕΙΩΣΗ: Για να αποφύγετε τυχόν ζημιά στην ηλεκτρική ανάφλεξη, μην την χρησιμοποιείτε όταν οι καυστήρες δεν βρίσκονται στις υποδοχές τους.

ΑΝΤΙΜΕΤΩΠΙΣΗ ΠΡΟΒΛΗΜΑΤΩΝ

Εάν η μονάδα εστιών δεν λειτουργεί σωστά, πριν επικοινωνήσετε με το κέντρο εξυπηρέτησης πελατών ανατρέξτε στον οδηγό αντιμετώπισης προβλημάτων για να καθορίσετε το πρόβλημα.

1. Ο καυστήρας δεν ανάβει ή η φλόγα δεν είναι ομοιόμορφη

Βεβαιωθείτε ότι:

- Η παροχή αερίου και ηλεκτρικού ρεύματος δεν είναι κλειστές και ιδίως ότι η στρόφιγγα παροχής αερίου είναι ανοικτή;
- Η φιάλη αερίου (υγραέριο) δεν έχει αδειάσει;
- Τα ανοίγματα του καυστήρα δεν είναι φραγμένα;
- Δεν υπάρχουν ακαθαρσίες στο άκρο του σπινθηριστή;
- Όλα τα εξαρτήματα του καυστήρα έχουν τοποθετηθεί σωστά;
- Δεν υπάρχουν ρεύματα αέρα κοντά στη μονάδα εστιών.

2. Ο καυστήρας δεν παραμένει αναμμένο

Βεβαιωθείτε ότι:

- Όταν ανάβετε τον καυστήρα, πατάτε το κουμπί όσο χρόνο χρειάζεται για την ενεργοποίηση της διάταξης προστασίας;

- Τα ανοίγματα του καυστήρα δεν είναι φραγμένα κοντά στο θερμοστοιχείο;
- Δεν υπάρχουν ακαθαρσίες στο άκρο της διάταξης προστασίας;
- Η ελάχιστη ρύθμιση παροχής αερίου είναι σωστή (ανατρέξτε στη σχετική παράγραφο).

3. Τα σκεύη δεν είναι σταθερά

Βεβαιωθείτε ότι:

- Η βάση του σκεύους είναι απόλυτα επίπεδη;
- Το σκεύος είναι κεντραρισμένο επάνω στον καυστήρα;
- Οι σχάρες δεν έχουν τοποθετηθεί ανάποδα ή λανθασμένα.

Εάν μετά από αυτούς τους ελέγχους το πρόβλημα παραμένει, απευθυνθείτε στο πλησιέστερο κέντρο εξυπηρέτησης πελατών.

ΗΧΟΙ ΠΟΥ ΠΑΡΑΓΟΝΤΑΙ ΚΑΤΑ ΤΗ ΛΕΙΤΟΥΡΓΙΑ

Για να λάβετε πλήρη τεχνική υποστήριξη, παρακαλούμε να καταχωρίσετε τη συσκευή σας στην ιστοσελίδα www.hotpoint.eu/register.

ΠΡΙΝ ΚΑΛΕΣΕΤΕ ΤΟ ΣΕΡΒΙΣ:

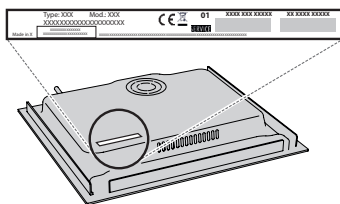
- Επιχειρήστε να επιλύσετε μόνοι σας το πρόβλημα με τη βοήθεια των συστάσεων που παρέχονται στον **ΟΔΗΓΟ ΑΝΤΙΜΕΤΩΠΙΣΗΣ ΒΛΑΒΩΝ**.
- Σβήστε και ανάψτε ξανά τη συσκευή για να διαπιστώσετε εάν η βλάβη παραμένει.

ΕΑΝ Η ΒΛΑΒΗ ΕΞΑΚΟΛΟΥΘΕΙ ΝΑ ΕΜΦΑΝΙΖΕΤΑΙ ΜΕΤΑ ΤΟΥΣ ΠΑΡΑΠΑΝΩ ΕΛΕΓΧΟΥΣ, ΕΠΙΚΟΙΝΩΝΗΣΤΕ ΜΕ ΤΟ ΠΛΗΣΙΕΣΤΕΡΟ ΣΕΡΒΙΣ.

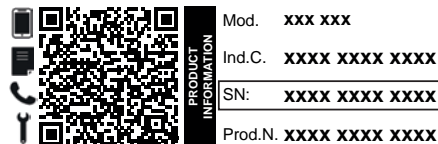
Για τεχνική υποστήριξη, καλέστε τον αριθμό που αναγράφεται στο βιβλιαράκι εγγύησης ή ακολουθήστε τις οδηγίες στην www.hotpoint.eu.

Όταν επικοινωνείτε με την Εξυπηρέτηση πελατών, αναφέρετε πάντα:

- Μια σύντομη περιγραφή της βλάβης;
- Τον τύπο και το ακριβές μοντέλο της συσκευής;



- τον σειριακό αριθμό (αριθμός μετά τη λέξη SN στην πινακίδα που βρίσκεται κάτω από τη συσκευή). Ο σειριακός αριθμός αναφέρεται επίσης στην τεκμηρίωση;



- την πλήρη διεύθυνσή σας;
- τον αριθμό τηλεφώνου σας.

Εάν απαιτείται επισκευή, απευθυνθείτε σε ένα εξουσιοδοτημένο Κέντρο Εξυπηρέτησης Πελατών (για να διασφαλιστεί η χρήση γνήσιων ανταλλακτικών και η σωστή επισκευή).

Μπορείτε να βρείτε πολιτικές, τυπική τεκμηρίωση και πρόσθετες πληροφορίες προϊόντος:

- Χρήση του κωδικού QR στη συσκευή σας;
- Επισκεφθείτε την ιστοσελίδα μας docs.hotpoint.eu;
- Εναλλακτικά, μπορείτε να επικοινωνήσετε με την Υπηρεσία εξυπηρέτησης πελατών (Βλ. τηλεφωνικό αριθμό στο βιβλιαράκι εγγύησης). Όταν επικοινωνείτε με το Κέντρο εξυπηρέτησης πελατών, αναφέρατε τους κωδικούς που αναγράφονται στην ετικέτα αναγνώρισης προϊόντος.



⚠ Ці інструкції дійсні, якщо символ відповідної країни вказаний на приладі. Якщо на приладі немає символу відповідної країни, слід звернутися до технічних інструкцій, де є необхідні вказівки щодо змін, які слід виконати на приладі, щоб він був адаптований до умов використання в цій країні.

⚠ **ОБЕРЕЖНО:** Під час використання газової плити в приміщенні, де вона встановлена, виділяються тепло, волога і продукти згоряння. Слід подбати про добру вентиляцію кухні, головним чином на час використання приладу: залишайте відкритими отвори для природної вентиляції або встановіть пристрій для примусової вентиляції (витяжку з примусовою вентиляцією). Під час тривалого інтенсивного використання приладу може знадобитися додаткова вентиляція, наприклад, може виникнути потреба відкрити вікно, або ж доведеться перемкнути витяжку (за наявності) на вищий рівень потужності.

⚠ Недотримання рекомендацій, зазначених у цьому посібнику, може призвести до займання або вибуху з подальшими матеріальними збитками або травмами.

Перед використанням приладу прочитайте ці інструкції з техніки безпеки. Збережіть їх для подальшого використання.

У цих інструкціях та на самому приладі містяться важливі попередження про небезпеку, які слід завжди виконувати. Виробник не несе жодної відповідальності за недотримання цих інструкцій з техніки безпеки, за неналежне використання приладу або неправильне налаштування елементів управління.

⚠ **ПОПЕРЕДЖЕННЯ:** Якщо варильна поверхня тріснула, не користуйтеся приладом – існує ризик ураження електричним струмом.

⚠ **ПОПЕРЕДЖЕННЯ:** Щоб уникнути пожежі: не зберігайте жодних предметів на поверхнях для приготування.

⚠ **ОБЕРЕЖНО:** за процесом готування слід наглядати. За короткочасним процесом готування слід наглядати постійно.

⚠ **ПОПЕРЕДЖЕННЯ:** Необережне приготування їжі із вмістом жиру або олії на варильній панелі може бути небезпечним - це може призвести до виникнення пожежі. НІКОЛИ не намагайтеся загасити вогонь водою. Вимкніть прилад і накрийте чимось вогонь, наприклад кришкою або протипожежною ковдрою.

⚠ Не використовуйте варильну панель як робочу поверхню або як підставку. Не кладіть одяг або інші легкозаймисті матеріали поблизу приладу, доки повністю не охолонуть всі його компоненти – існує ризик виникнення пожежі.

⚠ Не дозволяйте маленьким дітям (до 3 років) підходити надто близько до приладу. Не дозволяйте маленьким дітям (від 3 до 8 років) підходити надто близько до приладу без постійного нагляду. До користування приладом допускаються діти віком від 8 років, особи з фізичними, сенсорними чи розумовими вадами, а також особи, які мають незначний досвід чи знання щодо використання цього приладу, лише за умови, що такі особи отримали інструкції щодо безпечного використання приладу, розуміють можливий ризик або використовують прилад під наглядом осіб, що відповідають за їхню безпеку. Не дозволяйте дітям гратися з приладом. Діти можуть чистити та обслуговувати прилад лише під наглядом дорослих.

⚠ **ОБЕРЕЖНО:** У разі пошкодження скла конфорки: негайно вимкніть усі конфорки та будь-які електричні нагрівальні елементи і відключіть прилад від джерела живлення; не торкайтеся поверхонь приладу; не користуйтеся приладом.

Скляна кришка може зламатися, якщо нагріється. Перед закриванням кришки вимкніть усі конфорки та електричні панелі. Не закривайте кришку під час роботи конфорки.

⚠ **ПОПЕРЕДЖЕННЯ:** Під час використання прилад і його доступні частини нагріваються. Слід бути обережними, щоб не торкнутися нагрівальних елементів. Дітей до 8 років не можна залишати поруч із приладом без постійного нагляду.

⚠ Не залишайте продукти або готові страви у виробі чи на ньому більше ніж протягом однієї години до або після приготування.

ДОЗВОЛЕНЕ ВИКОРИСТАННЯ

⚠ **ОБЕРЕЖНО:** Цей прилад не призначений для експлуатації із зовнішнім приладом для перемикання, наприклад, таймером або окремою системою дистанційного керування.

⚠ Цей прилад призначено для використання в побутових і подібних умовах, наприклад таких: в кухонних зонах магазинів, офісів та інших робочих середовищ; у фермерських господарствах; клієнтами в готелях, мотелях, хостелах й інших житлових приміщеннях.

⚠ Забороняється використовувати прилад для інших цілей (наприклад, для опалення приміщень).

⚠ Цей пристрій не призначений для професійного використання. Не користуйтеся приладом на вулиці.

⚠ Використовувати каструлі та сковороди, дно яких має такий самий або трохи більший діаметр, як і конфорки (див. відповідну таблицю). стежити, щоб каструлі на решітці не виступали за межі варильної панелі.

⚠ Неправильне використання решіток може призвести до пошкодження варильної панелі: Не

ставте решітку догори дном і не тягніть її по варильній панелі.

Регулюйте потужністю полум'я конфорки так, щоб воно не виходило за межі сковороди або каструлі.

Якщо поверхня варильної панелі виконана зі скла, не використовуйте чавунні, керамічні та виготовлені з натурального каменю каструлі та сковороди.

Не використовуйте: пристрої для рівномірного розсіювання полум'я (наприклад, металева сітка тощо); одночасно дві конфорки для одного посуду (наприклад, довгий посуд для приготування риби).

Якщо через певну місцеву якість подачі газу запалення конфорок викликає труднощі, рекомендовано повторити спробу запалювання, повернувши ручку керування потужністю конфорки до позначки малого полум'я.

У випадку встановлення витяжки над варильною поверхнею див. інструкції виробника витяжки для дотримання правильної відстані.

Захисні гумові ніжки на сітках можуть стати причиною удушення дітей. Після знімання сітки переконайтеся, що всі ніжки правильно встановлені.

УСТАНОВЛЕННЯ

⚠ Встановлення і обслуговування приладу повинно виконуватись принаймні двома особами для уникнення ризику травмування. Під час розпакування та встановлення приладу використовуйте захисні рукавиці – існує ризик порізів.

⚠ Електричні та газові з'єднання мають відповідати місцевим нормам.

⚠ Установлення, підключення водопостачання (за наявності) і електричних з'єднань, як і ремонтні роботи, повинні виконуватися кваліфікованим персоналом. Не ремонтуйте та не замінюйте жодну частину приладу, якщо в інструкції з експлуатації прямо не вказано, що це необхідно зробити. Не дозволяйте дітям наближатись до місця установлення. Розпакувавши прилад, перевірте, чи немає на ньому пошкоджень після транспортування. Якщо це так, зверніться до дилера або найближчого центру післяпродажного обслуговування. Після встановлення залишки упаковки (пластик, пінополістиролові елементи тощо) повинні зберігатися в недоступному для дітей місці – існує небезпека удушення. Перед проведенням будь-яких робіт з установлення приладу слід відключити від електромережі для уникнення ризику ураження електричним струмом. Під час установлення приладу переконайтеся, що він не перетискає та не пошкоджує кабель живлення – існує ризик виникнення пожежі або ураження електрострумом. Вмикайте прилад лише після завершення процедури його встановлення.

⚠ **ПОПЕРЕДЖЕННЯ:** Критично важливими для безпеки і правильності використання приладу в усіх додаткових країнах є способи його модифікації і встановлення.

⚠ Використовуйте регулятори тиску, сумісні з показниками тиску газу, вказаними в інструкції.

⚠ Приміщення повинне бути оснащено витяжною системою, що видаляє всі гази і дим, які утворюються під час горіння.

⚠ У приміщенні також слід забезпечити належну циркуляцію повітря, оскільки для забезпечення нормального перебігу горіння потрібне свіже повітря. Приплив повітря не повинен бути меншим від 2 м³/год на кожний кіловат встановленої потужності.

⚠ Система циркуляції повітря повинна забирати свіже повітря безпосередньо з атмосфери за межами приміщення за допомогою труби з площею внутрішнього перерізу не менше 100 см²; вхідний отвір повинен бути захищеним від будь-якого блокування.

⚠ Система також може постачати потрібне для процесу горіння повітря непрямим способом, тобто з суміжних приміщень, оснащених трубами для циркуляції повітря, що відповідають наведеним вище вимогам. Однак згадані вище приміщення не повинні бути приміщеннями спільного користування, спальними кімнатами або приміщеннями, що можуть бути пожежно небезпечними.

⚠ Пара рідкого палива спускається до підлоги, оскільки вона важча від повітря. Тому приміщення з балонами, наповненими зрідженим вуглеводневим газом, також слід оснастити вентиляторами, які видаляють газ у випадку його витоку. Враховуючи згадані вище обставини, частково або повністю заповнені зрідженим вуглеводневим газом балони заборонено встановлювати або зберігати в приміщеннях або на складських майданчиках, що знаходяться нижче рівня землі (наприклад, у підвалах і подібних приміщеннях). Рекомендується зберігати лише балон, який використовується в приміщенні, і розташовувати його так, щоб на нього не могло діяти тепло від зовнішніх джерел (духових шаф, камінів, кухонних плит і т. п.), які можуть нагріти балон до температури вище 50 °С.

⚠ Усі столярні роботи виконуйте до вбудовування приладу в меблевий корпус і приберіть усю дерев'яну стружку та тирсу.

⚠ Якщо прилад не встановлений над піччю, необхідно встановити піддон для збирання рідини (не входить в комплект) у відділенні під приладом.

У разі виникнення труднощів з повертанням ручок керування потужністю пальників зверніться до центру післяпродажного обслуговування, щоб замінити кран пальника, якщо він виявиться несправним.

Заборонено перекривати отвори, що використовуються для вентиляції і розсіювання тепла.

ПІДКЛЮЧЕННЯ ГАЗУ

⚠ **ПОПЕРЕДЖЕННЯ:** Перед встановленням слід переконатися, що місцеві умови постачання (тип газу і його тиск) і конфігурація газового приладу сумісні.

⚠ Перевірте, чи відповідає тиск газу значенням, вказаним у таблиці "Технічні умови пальників і сопел".

⚠ **ПОПЕРЕДЖЕННЯ:** Умови налаштування цього приладу вказані на спеціальній позначці (або на заводській табличці даних).

⚠ **ПОПЕРЕДЖЕННЯ:** Цей прилад не під'єднаний до пристрою видалення продуктів згорання. Його слід встановити і підключити відповідно до чинних норм встановлення. Особливу увагу потрібно приділити відповідним вимогам щодо вентиляції.

⚠ Якщо прилад приєднують до джерела зрідженого газу, слід максимально щільно затягнути регулювальний гвинт.

⚠ **ВАЖЛИВО:** Переконайтеся, що газовий балон або ємність із газом розміщується належним чином (у вертикальному положенні), а вже потім підключайте до них газовий прилад.

⚠ **ПОПЕРЕДЖЕННЯ:** Лише кваліфікованому майстру дозволяється проводити цю процедуру.

⚠ Використовуйте тільки гнучкий або жорсткий металевий шланг для підключення до газової системи.

⚠ Підключення за допомогою жорсткої труби (мідної або сталеві). Підключення до системи газопостачання слід виконувати таким чином, щоб на газовий прилад не діяло жодне зусилля натягу чи деформації. Газовий прилад оснащений у точці підключення газу Г-подібною з'єднувальною деталлю з ущільнювальним матеріалом, щоб уникнути витоку газу. Після обертання з'єднувальної деталі ущільнювальний матеріал завжди слід міняти (ущільнювальний матеріал постачається в комплекті газового приладу). З'єднувальна трубна деталь являє собою циліндричний охоплюваний з'єднувач із зовнішньою різью 1/2 дюйма для під'єднання газу.

⚠ Підключення безшовної гнучкої труби з нержавіючої сталі до з'єднувача з різью. З'єднувальна трубна деталь являє собою циліндричний охоплюваний з'єднувач із різью 1/2 дюйма для під'єднання газу. Такі труби слід встановлювати таким чином, щоб у повністю розправленому стані їх довжина не перевищувала 2000 мм. Коли з'єднання виконане, гнучка металева труба не повинна торкатися рухомих деталей і не повинна знаходитися в стисненому стані. Слід використовувати лише труби і ущільнювальні матеріали, що відповідають вимогам актуальних національних нормативів.

⚠ **ВАЖЛИВО:** У разі використання шланга з нержавіючої сталі його слід встановити так, щоб він не торкався жодних рухомих частин меблів (наприклад, висувного ящика). Його слід прокласти в місці, де немає жодних перешкод і де його можна оглянути по всій довжині.

⚠ Цей прилад слід під'єднувати до мережі газопостачання або до газового балона згідно з вимогами чинних національних нормативів. Перш ніж під'єднувати, переконайтеся, що даний прилад сумісний з системою газопостачання, якою плануєте користуватися. Якщо виявиться, що прилад несумісний з наявною системою, див. розділ "Налаштування відповідно до іншого типу газу".

⚠ Підключивши прилад до газової мережі, за допомогою мильної води перевірте, чи немає витоку газу. Запаліть пальники та поверніть відповідні ручки керування потужністю пальників у максимальне (1*), а потім мінімальне (2*) положення, щоб перевірити рівномірність полум'я.

НАЛАШТУВАННЯ ВІДПОВІДНО ДО ІНШОГО ТИПУ ГАЗУ

(Ці роботи має здійснювати кваліфікований персонал).

⚠ Для того, щоб пристосувати прилад до роботи з іншим типом газу, а не тим, на який він був налаштований на заводі-виробнику (зазначений на етикетці з технічними даними), виконайте наступні кроки, наведені після креслень щодо монтажу.

ПОПЕРЕДЖЕННЯ ПРО НЕБЕЗПЕКУ УРАЖЕННЯ ЕЛЕКТРИЧНИМ СТРУМОМ

⚠ **ВАЖЛИВО:** Інформація про споживання струму та напруги наведена на інформаційній табличці.

⚠ Слід забезпечити можливість від'єднання приладу від електромережі шляхом витягування вилки (за наявності) з розетки або за допомогою багатополюсного перемикача, встановленого перед розеткою згідно з нормами прокладання електропроводки, крім того, прилад має бути заземлений відповідно до національних стандартів електробезпеки.

⚠ Довжина кабелю живлення має бути достатньою для підключення приладу до електромережі після його встановлення в меблевий корпус. Не тягніть за кабель живлення приладу.

⚠ Не використовуйте подовжувачі, розгалужувачі або адаптери. Після підключення електричні компоненти мають бути недосяжними для користувача. Не використовуйте прилад, якщо ви мокрі або босоніж. Забороняється користуватися цим приладом у разі пошкодження кабелю живлення або вилки й у разі неналежної роботи приладу або пошкодження чи падіння.

⚠ Якщо кабель електроживлення пошкоджений, слід звернутись до виробника, сервісного агента або особи з подібною кваліфікацією для заміни на ідентичний кабель, щоб уникнути небезпеки - існує ризик ураження електричним струмом.


ЧИЩЕННЯ ТА ОБСЛУГОВУВАННЯ

⚠ **ПОПЕРЕДЖЕННЯ:** перед здійсненням технічного обслуговування приладу переконайтеся в тому, що прилад вимкнений і відключений від джерела живлення ніколи не застосовуйте пристрої чищення парою – існує ризик ураження електричним струмом.

⚠ Не використовуйте абразивні чи їдкі матеріали, очисники на основі хлору або металеві щітки.

⚠ Щоб не пошкодити пристрій електричного запалювання, не використовуйте його, коли конфорки знаходяться не на своїх місцях.

УТИЛІЗАЦІЯ ПАКУВАЛЬНИХ МАТЕРІАЛІВ


Пакувальний матеріал на 100% є вторинною сировиною, придатною для повторного використання, і позначений відповідним символом . Тому різні частини упаковки слід утилізувати відповідально та згідно з місцевими правилами щодо утилізації відходів.

УТИЛІЗАЦІЯ ПОБУТОВИХ ПРИЛАДІВ

Цей прилад виготовлено з матеріалів, які підлягають вторинній переробці або придатні для повторного використання. Утилізуйте! Перед проведенням будь-якого чищення або технічного обслуговування слід переконатися, що

прилад охолонув. Його відповідно до місцевих правил утилізації відходів. Для отримання додаткової інформації про поводження з побутовими електричними приладами, їх утилізацію та вторинну переробку зверніться до місцевих органів, служби утилізації побутових відходів або в магазин, де ви придбали прилад. Цей прилад марковано відповідно до Європейської директиви 2012/19/ЄС, Директиви щодо відпрацьованого електричного й електронного обладнання (WEEE) та до Регламенту 2013 року про відходи електричного та електронного обладнання (зі змінами).

Забезпечивши правильну утилізацію цього приладу, ви допоможете запобігти негативним наслідкам для довкілля та здоров'я людей.

Символ  на виробі або в супровідній документації вказує на те, що прилад не можна утилізувати як побутові відходи, і що його потрібно здавати на утилізацію до відповідних центрів збору відходів для вторинної переробки електричного та електронного обладнання.

ПОРАДИ ЩОДО ЕНЕРГОЗБЕРЕЖЕННЯ

Використовувати каструлі та сковороди, площа дна яких дорівнює площі конфорки.

Використовувати тільки каструлі та сковороди з плоским дном.

За нагоди накривати каструлі кришками під час приготування.

Використовувати сковородку, щоб заощадити електроенергію та час.

ДЕКЛАРАЦІЯ ПРО ВІДПОВІДНІСТЬ

Цей прилад відповідає вимогам щодо екодизайну Регламенту ЄС 66/2014, вимогам щодо екодизайну для виробів, що споживають енергію, та Положенням про енергетичну інформацію (Поправка) (Вихід з ЄС) 2019 року, відповідно до європейського стандарту EN 30-2-1.

ТЕХНІЧНІ УМОВИ ПАЛЬНИКІВ І СОПЕЛ **UA**

КАТЕГОРІЯ **IІ2H3+**

Тип газу, що використовується	Тип конфорки	Маркування форсунки	Номинальна потужність теплового потоку кВт	Номинальне споживання	Номинальний обсяг споживання кВт	Тиск газу мбар		
						мін	ном.	макс.
ПРИРОДНИЙ ГАЗ (Метан) G20	Швидка (R)	128 B	3,00	286 л/год	0,70	17	20	25
	Напівшвидка (SR)	97 A	1,65	157 л/год	0,40			
	Допоміжна (AUX)	78 A	1,00	95 л/год	0,40			
СКРАПЛЕНИЙ ГАЗ (Бутан) G30	Швидка (R)	85 A	3,00	218 г/год	0,70	20	28-30	35
	Напівшвидка (SR)	66 A	1,65	120 г/год	0,40			
	Допоміжна (AUX)	50	1,00	73 г/год	0,40			
СКРАПЛЕНИЙ ГАЗ (Пропан) G31	Швидка (R)	85 A	3,00	214 г/год	0,70	25	37	45
	Напівшвидка (SR)	66 A	1,65	118 г/год	0,40			
	Допоміжна (AUX)	50	1,00	71 г/год	0,40			

Тип газу, що використовується	Конфігурація моделі 4 КОНФОРКИ	Номинальна потужність теплового потоку (кВт)	Загальний номинальний обсяг споживання	Об'єм повітря (м ³), необхідний для спалювання 1 м ³ газу
G20 20 мбар	1R - 2SR - 1AUX	7,30	695 л/год	9,52
G30 28-30 мбар	1R - 2SR - 1AUX	7,30	531 г/год	30,94
G31 37 мбар	1R - 2SR - 1AUX	7,30	521 г/год	23,80

ДЖЕРЕЛО ЕЛЕКТРОЕНЕРГІЇ: 220–240В~50-60Гц–1,1 Вт

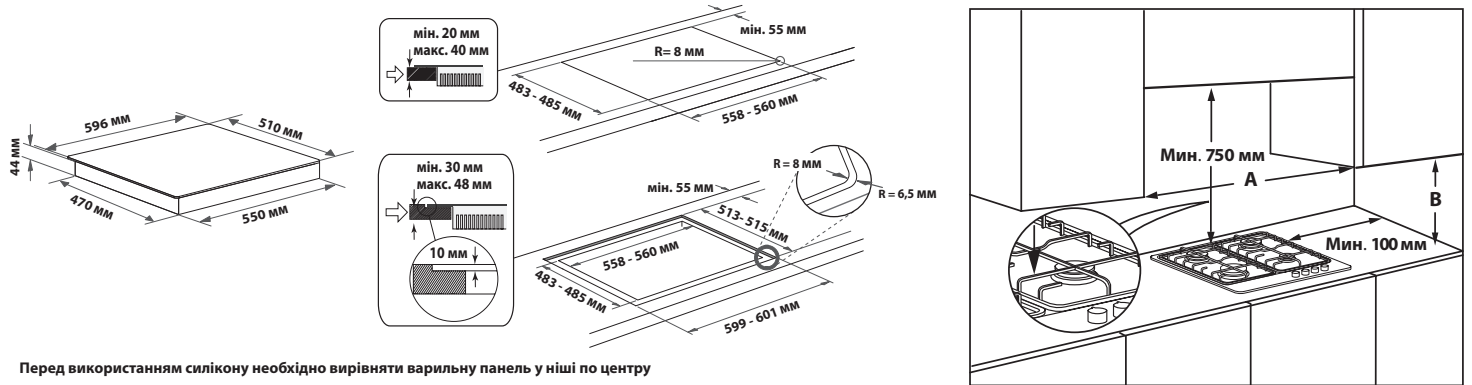


УСТАНОВЛЕННЯ (КЛАС 3)

ТЕХНІЧНА ІНФОРМАЦІЯ ДЛЯ МОНТАЖУ

- Під час обслуговування приладу, його підготовки до роботи та встановлення використовуйте захисні рукавиці.
- Для вбудування цього продукту підійдуть робочі поверхні завтовшки 20–40 мм, зі стандартною установкою. Для монтажної установки 30± 48 мм.
- Якщо під варильною панеллю немає духової шафи, вставте піддон зонайменше такого ж розміру, як і отвір на робочій поверхні. Цей піддон слід розмістити максимум на 150 мм нижче верхньої частини робочої поверхні, але в жодному разі не ближче 20 мм від дна варильної панелі. Якщо ви плануєте встановлювати під варильною панеллю духову шафу, вона має бути оснащена системою охолодження.

РОЗМІРИ ТА ВІДСТАНІ, ЯКИХ СЛІД ДОТРИМУВАТИСЯ



Перед використанням силікону необхідно вирівняти варильну панель у ніші по центру

ПРИМІТКА: Якщо відстань «А» між настінними шафами має значення в діапазоні від 600 до 730 мм, висота «В» повинна мати значення принаймні 530 мм.

Якщо відстань «А» між настінними шафами більша за ширину варильної поверхні, висота «В» повинна мати значення принаймні 400 мм. У разі встановлення витяжки над варильною панеллю див. інструкції виробника витяжки, щоб визначити правильну відстань.

МОНТАЖ

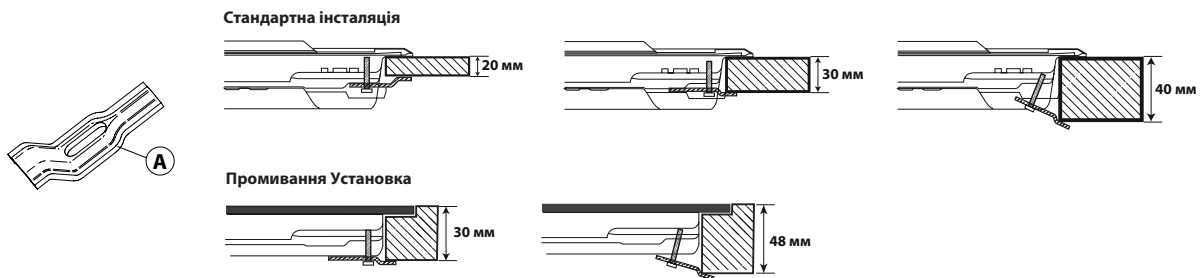
Очистивши поверхню по периметру, застосуйте до варильної панелі прокладку з комплекту постачання (див. рисунок).

Розмістіть варильну панель в отворі робочої поверхні, зробленого відповідно до вказаних у цих інструкціях розмірів.



ПРИМІТКА: Кабель живлення має бути достатньо довгим, щоб його можна було витягнути нагору.

Закріпіть варильну панель за допомогою скоб (А), що входять до комплекту. Припасуйте скоби відповідно до отворів, як показано стрілками на малюнку, а тоді затягніть їх за допомогою шурупів відповідно до товщини робочої поверхні (див. малюнки нижче).



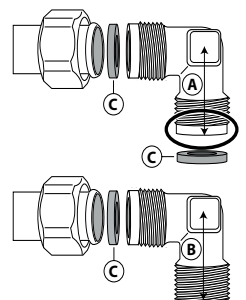
ПІДКЛЮЧЕННЯ ГАЗУ

- З'єднайте колінчастий патрубок (А)* або (В)*, що входить до комплекту варильної панелі, з головною впускною трубою, поставивши між ними прокладку (С), що входить до комплекту та відповідає стандарту EN 549.

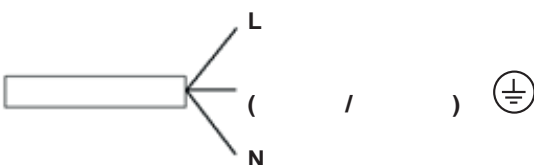
* Використовуйте патрубок А у Франції, а патрубок В для всіх інших країн.

- Підключивши варильну панель до газової мережі, за допомогою мильної води перевірте, чи немає витoku газу.

Запаліть конфорки та поверніть відповідні ручки керування потужністю конфорок у максимальне 0, а тоді в мінімальне 0 положення, щоб перевірити рівномірність полум'я.



ЕЛЕКТРИЧНЕ ПІДКЛЮЧЕННЯ





ДЯКУЄМО ЗА ПРИДБАННЯ ВИРОБУ HOTPOINT

Для отримання більш повної допомоги зареєструйте свій прилад на сайті www.hotpoint.eu/register.

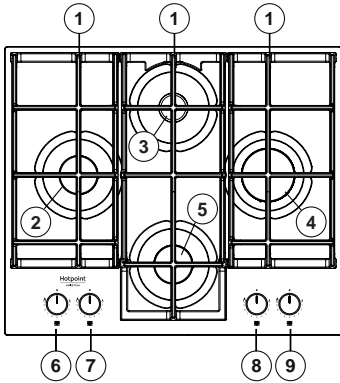


Перед використанням пристрою уважно прочитайте інструкції з техніки безпеки.

ВІДСКАКУЙТЕ QR-КОД НА СВОЄМУ ПРИЛАДІ, ЩОБ ОТРИМАТИ ДОДАТКОВУ ІНФОРМАЦІЮ



ОПИС ВИРОБУ



1. Знімні решітки для каструль
2. Напівшвидка конфорка
3. Допоміжна конфорка
4. Швидка конфорка
5. Напівшвидка конфорка
6. Ручка керування потужністю напівшвидкої конфорки
7. Ручка керування потужністю напівшвидкої конфорки
8. Ручка керування потужністю допоміжної конфорки
9. Ручка керування потужністю швидкої конфорки

Символи

- Зафарбований круг ● Перекритий кран
- Велике полум'я 🔥 Максимальний отвір/подача й електричне запалювання
- Мале полум'я 🔥 Мінімальний отвір і знижена подача



ЩОДЕННЕ ВИКОРИСТАННЯ

ВИКОРИСТАННЯ ВАРИЛЬНОЇ ПАНЕЛІ

⚠ Регулюйте потужність полум'я конфорки так, щоб воно не виходило за межі сковороди або каструлі.

ВАЖЛИВО! під час використання варильної панелі може нагріватися вся її поверхня.

- Щоб запалити одну з конфорок, поверніть відповідну ручку проти годинникової стрілки до позначки максимального полум'я.
- Притисніть ручку до панелі керування, щоб запалити конфорку.
- Утримуйте ручку натиснутою впродовж 5–10 секунд після запалювання конфорки, щоб прилад запрацював належним чином.
- Захисний механізм цієї конфорки вимикає подачу газу на конфорку, якщо полум'я раптом зникає (через несподіваний протяг, перебої в подачі газу, википання рідини тощо).
- **Не рекомендовано утримувати ручку натиснутою понад 15 секунд. Якщо і після цього періоду часу конфорка не запалиться, зачекайте хвилину, перш ніж спробувати запалити її ще раз.**

ПРИМІТКА. Якщо через певні місцеві умови та якість подачі газу виникають труднощі із запаленням конфорок, рекомендовано повторити спробу запалювання, повернувши ручку керування потужністю конфорки до позначки малого полум'я.

Полум'я конфорки може згаснути, якщо відпустити ручку. Це означає, що захисний механізм недостатньо прогрівся. У такому разі повторіть перелічені вище дії. Якщо полум'я випадково згасло, вимкніть газ ручкою регулювання та зачекайте приблизно 1 хвилину перед тим як запалювати його знову.

ПРАКТИЧНІ ПОРАДИ З ВИКОРИСТАННЯ КОНФРОК

Ця варильна панель має конфорки різного діаметру. Щоб ефективніше використовувати конфорки, радимо:

- використовувати каструлі та сковороди, дно яких має такий самий або трохи більший діаметр, як і конфорки (див. таблицю праворуч);
- використовувати тільки каструлі та сковороди з плоским дном;
- використовувати правильну кількість води для приготування страв і накривати каструлі кришками;
- стежити, щоб каструлі на решітці не виступали за межі варильної панелі;
- (для сковорід із випуклим дном – вок) використовувати допоміжну решітку, яку слід розташовувати тільки над багатокільцевою конфоркою;
- уникайте випадкових ударів каструлями, ґратками або іншою кухонними начинням;
- Не залишайте порожні сковороди для барбекю на увімкненій конфорці більше 5 хвилин.

ВАЖЛИВО! Неправильне використання решіток може призвести до пошкодження варильної панелі. Не ставте решітку догори дном і не тягніть її по варильній панелі.

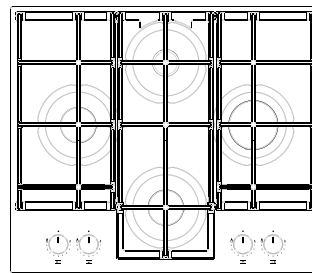
КОНФОРКА	Ø КАСТРУЛІ
Швидка	Від 24 до 26 см
Напівшвидка	Від 16 до 22 см
Допоміжна	Від 8 до 14 см

Не використовуйте:

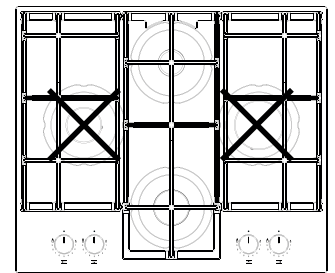
- чавунні, керамічні та виготовлені з натурального камення каструлі та сковороди;
- пристрої для рівномірного розсіювання полум'я (наприклад, металева сітка тощо);
- одночасно дві конфорки для однієї посудини (наприклад, довга посудина для приготування риби).

Потрапляння рідини на гарячу варильну панель може спричинити пошкодження скла.

ПРАВИЛЬНЕ РОЗТАШУВАННЯ СІТКИ



OK



NO/KO

НАЛАШТУВАННЯ ВАРИЛЬНОЇ ПАНЕЛІ ВІДПОВІДНО ДО ІНШОГО ТИПУ ГАЗУ

⚠ Лише кваліфікований майстер повинен проводити цю процедуру.

Якщо на варильну панель постачатиметься інший тип газу, ніж указано в таблиці технічних даних і на інформаційній етикетці на самій поверхні панелі, змініть форсунки. Зніміть інформаційну етикетку та зберігайте її в посібнику з інструкціями.

Використовуйте регулятори тиску, сумісні з показниками тиску газу, вказаними в цих інструкціях:

- Лише працівники центру післяпродажного обслуговування або кваліфіковані фахівці повинні замінювати газові форсунки.
- Форсунки, які не входять до комплекту постачання, слід замовляти в центрі післяпродажного обслуговування.
- Установіть для кранів подачі газу мінімальне значення.

ПРИМІТКА. У разі використання зрідженого нафтового газу (G30/G31) гвинт регулювання мінімального значення потрібно максимально закрутити.

ВАЖЛИВО! У разі виникнення труднощів з повертанням ручок керування потужністю конфорок, зверніться до центру післяпродажного обслуговування, щоб замінити несправний кран конфорки.

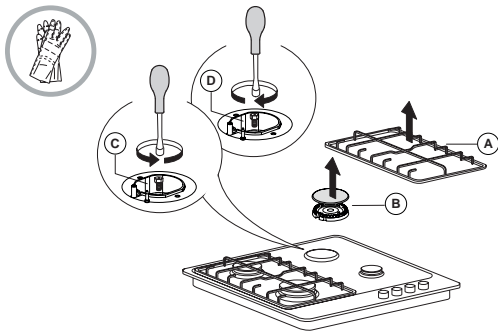
ВАЖЛИВО! Переконайтеся, що газовий балон або ємність із газом розміщуються належним чином (у вертикальному положенні), а вже потім підключайте до них варильну панель.

ВАЖЛИВО! Переконайтеся, що газовий балон або ємність із газом розміщуються належним чином (у вертикальному положенні), а вже потім підключайте до них варильну панель.

ЗАМІНА ФОРСУНОК (див. Таблицю форсунок в Інструкціях з техніки безпеки)

⚠ Лише кваліфікований майстер повинен проводити цю процедуру.

- Зніміть решітки (A).
- Витягніть конфорки (B).
- За допомогою торцевого ключа відповідного розміру розкрутіть форсунку (C) яку потрібно замінити.
- Замініть її на форсунку, придатну для нового типу газу.
- Вмонтуйте форсунку (D).



Перш ніж установлювати варильну панель, не забудьте прикріпити табличку калібрування газу, що постачається з форсунками, щоб вона відповідала фактичним даним про калібрування подачі газу.

ТАБЛИЦЯ ПРИГОТУВАННЯ

РІВЕНЬ	МЕТОД/СПОСІБ ГОТУВАННЯ (РЕКОМЕНДУЄТЬСЯ ДЛЯ)	ПОРАДИ ЩОДО ПРИГОТУВАННЯ
1-2	ПІДТРИМАННЯ ТЕПЛА	Підходить для пом'якшення масла, повільного топлення шоколаду на водяній бані, розморожування дрібних порцій, заправки різонуги соусом.
	БЕРЕЖНЕ ПРИГОТУВАННЯ	
3-4	ПОВІЛЬНЕ КИПІННЯ	Підходить для приготування на повільному вогні (рис, соуси, печеня, риба) з використанням рідин (наприклад, з водою, вином, бульйоном), заправки макаронів соусом та підтримання повільного кипіння.
	ТУШКУВАННЯ	
5-6	СМАЖЕННЯ	Підходить для пасерування, тушкування овочів, приготування протягом тривалого часу, розігрівання посуду, розварювання.
	ТРИВАЄ ЗАЖАРЮВАННЯ	
7-8	СТІР-ФРАЙ	Підходить для підрум'янювання, початкової стадії приготування, швидкого доведення рідин до кипіння, смаження продуктів глибокої заморозки, приготування на грилі м'яса і риби, підтримання інтенсивного кипіння.
	ГРИЛЬ	
9	ШВИДКЕ НАГРІВАННЯ	Підходить для швидкого підігрівання страв або швидкого нагрівання рідин (води).

ОЧИЩЕННЯ І ОБСЛУГОВУВАННЯ

⚠ Від'єднайте прилад від джерела живлення.

ОЧИЩЕННЯ ПОВЕРХНІ ВАРИЛЬНОЇ ПАНЕЛІ

- Усі емальовані та скляні частини слід очищувати теплою водою та нейтральним розчином.
- Під час тривалого контакту з вапнистою водою або абразивними миючими засобами на поверхнях із нержавіючої сталі можуть виникнути плями. Пролиту рідину (вода, соус, кава тощо) слід витирати одразу, ще до того, як вона засохне.

НАЛАШТУВАННЯ КРАНІВ НА МІНІМАЛЬНУ ПОДАЧУ ГАЗУ



⚠ Лише кваліфікований майстер повинен проводити цю процедуру.

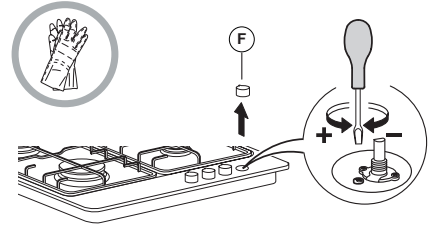
Налаштовувати подачу газу потрібно тоді, коли кран знаходиться в положенні мінімальної подачі (маленьке полум'я).

Первинне повітря в конфорках налаштовувати не потрібно.

Щоб пересвідчитися в правильному налаштуванні мінімальної подачі газу, зніміть ручку керування потужністю конфорки (F) та виконайте перелічені нижче дії:

- Закрутіть гвинт, щоб зменшити висоту полум'я (-);
- Послабте гвинт, щоб збільшити висоту полум'я (+).

На цьому етапі запаліть конфорку та поверніть ручку керування потужністю конфорки на максимальне , а тоді на мінімальне  значення, щоб перевірити рівномірність полум'я.



Завершивши налаштування, запечатайте необхідні ділянки за допомогою сургучу або аналогічного матеріалу.

Hotpoint

ARISTON

- Не використовуйте займисті продукти.
- Не залишайте кислотні або лужні речовини, наприклад оцет, гірчицю, сіль, цукор чи лимонний сік на варильній панелі.

ОЧИЩЕННЯ ЧАСТИН ВАРИЛЬНОЇ ПАНЕЛІ

- Чистьте скляні й емальовані частини лише за допомогою м'якої тканини чи губки.
- Решітки, кришки конфорок і конфорки можна також зняти, щоб почистити їх.
- Очистьте їх вручну за допомогою теплої води з неабразивним миючим засобом, видаляючи будь-які рештки їжі. Перевірте, чи жоден з отворів конфорки не забився.
- Промийте та висушіть їх.
- **Чавунну решітку можна мити в посудомийній машині.**

Перед тим, як помістити решітки в низ посудомийної машини, видаліть решітки їжі, що пригоріла.

- Вставте конфорки у відповідні гнізда та належним чином накрийте конфорки кришками.
- Ставлячи на місце решітку, переконайтеся, що місце для кастрюлі збігається з конфоркою.
- Для забезпечення справної роботи на моделях, що містять поршень електричного запалювання та захисний механізм, слід ретельно очищати край поршня. Часто перевіряйте ці елементи, а в разі необхідності чистьте їх вологою тканиною. Будь-які припалені решітки їжі слід видалити за допомогою зубочистки або голки.

ПРИМІТКА. Щоб не пошкодити пристрій електричного запалювання, не використовуйте його, коли конфорки знаходяться не на своїх місцях.

ПОСІБНИК З УСУНЕННЯ НЕСПРАВНОСТЕЙ

Якщо варильна панель працює неналежним чином, перш ніж звертатися до центру післяпродажного обслуговування, перегляньте "Посібник з усунення несправностей", щоб визначити проблему.

1. Конфорка не запалюється або полум'я нерівномірне

- Перевірте, чи:
- не перекрита подача газу та джерело живлення, а особливо, чи відкритий кран подачі газу;
 - газовий балон (зріджений газ) не порожній;
 - не забиті отвори конфорки;
 - не забруднена вилка розетки;
 - усі частини конфорки розташовані правильно;
 - біля варильної панелі немає протягів.

2. Конфорка гасне

- Перевірте, чи:
- під час запалювання конфорки ви протягом тривалого часу утримували натиснутою ручку керування потужністю конфорки, щоб активувати захисний механізм;

- не забиті отвори конфорки біля термопари;
- не забруднено край захисного механізму;
- правильно налаштовано мінімальну подачу газу (див. відповідний розділ).

3. Резервуари конфорки нестабільні

- Перевірте, чи:
- дно резервуара ідеально рівне;
 - резервуар розміщено на конфорці рівно по центру;
 - не переплутано місця решіток і їх правильно встановлено.

Якщо після вищевказаних перевірок несправність не зникає, зверніться до найближчого центру післяпродажного обслуговування.

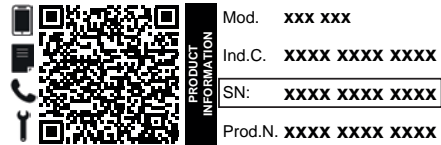
ПІСЛЯПРОДАЖНЕ ОБСЛУГОВУВАННЯ

Для отримання більш повної допомоги зареєструйте свій прилад на сайті www.hotpoint.eu/register.

ПЕРШ НІЖ ЗВЕРТАТИСЯ ДО ЦЕНТРУ ПІСЛЯПРОДАЖНОГО ОБСЛУГОВУВАННЯ, ВИКОНАЙТЕ НАВЕДЕНІ НИЖЧЕ ДІЇ:

1. Перевірте, чи можна вирішити проблему самостійно за допомогою порад, наведених у розділі **ПОСІБНИК ІЗ УСУНЕННЯ НЕСПРАВНОСТЕЙ**.
2. Вимкніть прилад і знову увімкніть його, щоб перевірити, чи несправність залишається.

- серійний номер (номер після слова SN на паспортній табличці, розташованій під приладом). Серійний номер вказаний також у документації;



- повна адреса вашого місця проживання;
- ваш номер телефону.

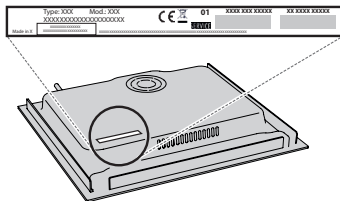
ЯКЩО ПІСЛЯ ВИЩЕВКАЗАНОЇ ПЕРЕВІРКИ НЕСПРАВНІСТЬ НЕ ЗНИКНЕ, ЗВЕРНІТЬСЯ ДО НАЙБЛИЖЧОГО ЦЕНТРУ ПІСЛЯПРОДАЖНОГО ОБСЛУГОВУВАННЯ.

Щоб отримати допомогу, зверніться за номером, що вказаний у гарантійному талоні, або дотримуйтеся інструкцій на сайті www.hotpoint.eu.

Якщо потрібен ремонт, зверніться в авторизований центр післяпродажного обслуговування (щоб гарантувати, що будуть використані оригінальні запчастини та ремонт буде виконано правильно).

Під час зв'язку з нашим Сервісом післяпродажного обслуговування завжди уточнюйте:

- короткий опис несправності;
- тип і точну модель приладу;



З правилами, стандартною документацією та додатковою інформацією про виріб можна ознайомитися наступним чином:

- за допомогою QR-коду на вашому побутовому приладі;
- відвідавши наш веб-сайт docs.hotpoint.eu;
- або **звернувшись до нашого центру післяпродажного обслуговування клієнтів** (номер телефону зазначено у гарантійному талоні). Звертаючись до центру післяпродажного обслуговування, повідомте коди, зазначені на табличці з паспортними даними виробу.

