



THANK YOU FOR BUYING A BAUKNECHT PRODUCT.
In order to receive a more complete assistance, please register your appliance on: www.bauknecht.eu/register

Before using the appliance carefully read Safety and Installation Instructions. More information about your product available on website: docs.bauknecht.eu

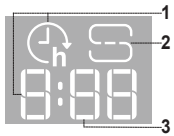
⚠ After installation, please remember to remove all transport protection parts from the dishwasher.

CONTROL PANEL



1. **ON-OFF/Reset** button with indicator light
2. **Eco program** button with indicator light
3. **Auto Intensive program** button with indicator light
4. **Auto Mixed program** button with indicator light
5. **Auto Fast program** button with indicator light
6. **Rapid program** button with indicator light
7. **Crystals program** button with indicator light/ **Self-Clean program** - 3 sec. press
8. **Prewash program** button with indicator light
9. **Salt reservoir empty** indicator light
10. **Rinse Aid** reservoir empty indicator light
11. **Display**
12. **Program number and remaining time** indicator
13. **Closed water tap** indicator light
14. **DESCALE** indicator light
15. **PowerClean Pro option** button with indicator light
16. **Half Load option** button with indicator light
17. **Extra Dry option** button with indicator light/ **Settings** - 3 sec. press
18. **Silent option** button with indicator light
19. **Sani Rinse option** button with indicator light
20. **Turbo option** button with indicator light
21. **Delay option** button with indicator light
22. **START/Pause** button with indicator light

DISPLAY ON THE FLOOR



1. **Delay Time on the floor** - indicator of the time left to the start of the cycle, when the Delay option is set.
2. **Salt reservoir empty** - indicator light on the floor
3. **Remaining Time on the floor** - indicator of the time left to the end of the cycle

FIRST TIME USE

SETTING MENU

1. Switch on the appliance by pressing the **ON-OFF** button.
2. Hold the **Settings** (Extra Dry) button for 3 seconds, until you hear a beep and the display shows „**SET**“.
3. After one second the first available setting (letter „h“) will be displayed.
4. Press **Prewash program** / **PowerClean Pro option** buttons to scroll through the list of available settings (see table below), then press **START/Pause** to view and change the value of currently selected setting.
5. Press **Prewash program** / **PowerClean Pro option** buttons to change the value, then press **START/Pause** to save the new value.
6. To change another setting, repeat points 2 and 5.
7. Press **ON-OFF** or wait 30 seconds to exit the menu.

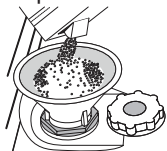
LETTER	SETTING	VALUES (Default - in bold)
h	Water Hardness Level (see "SETTING THE WATER HARDNESS" and "WATER HARDNESS TABLE")	1 2 3 4 5
f	Rinse Aid Level (see "ADJUSTING THE DOSAGE OF RINSE AID")	0 1 2 3 4 5
d	NaturalDry (see "OPTIONS AND FUNCTIONS") "1" = On, "0" = Off	1 0
t	Time on the floor (see "OPTIONS AND FUNCTIONS") "1" = On, "0" = Off	1 0
s	Sound "1" = On, "0" = Off	1 0
l	Internal Lights (see "OPTIONS AND FUNCTIONS") "1" = On, "0" = Off	1 0
i	Factory Settings Press START/Pause to restore to the factory default all the values of the settings included in the settings menu.	-

FILLING THE SALT RESERVOIR

The use of salt prevents the formation of LIMESCALE on the dishes and on the machine's functional components.

The salt reservoir is located in the lower part of the dishwasher (under the lower rack on the left side).

- It is mandatory that **the salt reservoir never be empty.**
- It is important to set the water hardness.
- Salt must be filled when the SALT REFILL indicator light on the control panel is lit.



1. Remove the lower rack and unscrew the reservoir cap (anticlockwise).
2. Position the funnel (see figure) and fill the salt reservoir right up to its edge (approximately 0,5 kg); it is not unusual for a little water to leak out.
3. **Only the first time you do this: fill the salt reservoir with water.**

4. Remove the funnel and wipe any salt residue away from the opening. Make sure the cap is screwed on tightly so that no detergent can get into the container during the wash program (this could damage the water

softener beyond repair).

Run a program every time as soon as you completed refilling the salt reservoir to avoid corrosion.

Setting the water hardness

To allow the water softener to work in a perfect way, it is essential that the water hardness setting is based on the actual water hardness in your house. This information can be obtained from your local water supplier. The factory setting is "3". See „WATER HARDNESS TABLE“.

Water Hardness Table			
Level	°dH German degrees	°fH French degrees	°Clark English degrees
1 (Soft)	0 - 6	0 - 10	0 - 7
2 (Medium)	7 - 11	11 - 20	8 - 14
3 (Average)	12 - 16	21 - 29	15 - 20
4 (Hard)	17 - 34	30 - 60	21 - 42
5 (Very hard)	35 - 50	61 - 90	43 - 62

To change, follow instructions in section "SETTING MENU".

Only use salt that has been specifically designed for dishwashers.

After the salt has been poured into the machine, the SALT REFILL indicator light switches off.

If the salt container is not filled, the water softener and the heating element may be damaged as a result of limescale accumulation. Using of Salt is recommended with any type of dishwasher detergent.

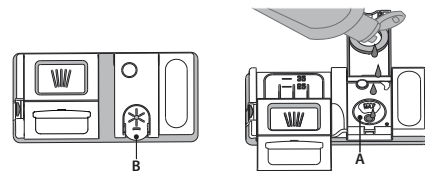
WATER SOFTENING SYSTEM

Water softener automatically reduces water hardness, consequently preventing scale buildup on the heater, contributing also to better cleaning efficiency. **This system regenerates itself with salt, therefore it is required to refill the salt container when empty.** The frequency of regeneration depends on the water hardness level setting - regeneration takes place once per 4-6 Eco cycles with the water hardness level set to 3. The regeneration process occurs at the beginning of the cycle with additional fresh water.

- Single regeneration consumes ~3L of water;
- Takes up to 5 additional minutes for the cycle;
- Consumes below 0.005kWh of energy.

FILLING THE RINSE AID DISPENSER

Rinse aid makes dish DRYING easier. The rinse aid dispenser **A** should be filled when the RINSE AID REFILL indicator light on the control panel is lit.



1. Open the dispenser **B** by pressing and pulling up the tab on the lid.
2. Pour in the rinse aid (max. 110 ml), making sure it does not overflow from the dispenser. If this happens, clean the spill immediately with a dry cloth.

3. Press the lid down until you hear a click to close it.
NEVER pour the rinse aid directly into the appliance tub.

Adjusting the dosage of rinse aid

If you are not completely satisfied with the drying results, you can adjust the quantity of rinse aid used.

To change, follow instructions in the section "SETTING MENU".

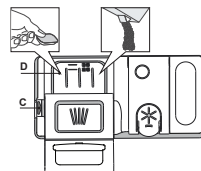
If the rinse aid level is set to ZERO, no rinse aid will be supplied. The **LOW RINSE AID indicator** light will not be lit if you run out of rinse aid.

A maximum of **6** levels can be set according to the dishwasher model.

- If you see bluish streaks on the dishes, set a low number (0-3).
- If there are drops of water or limescale marks on the dishes, set a mid-range number (4-5).

FILLING THE DETERGENT DISPENSER

To open the detergent dispenser use the opening device C. Introduce the detergent into the dry dispenser D only. Place the amount of detergent for pre-washing directly inside the tub.



1. When measuring out the detergent refer to the mentioned earlier information to add the proper quantity. Inside the dispenser **D**, there are indications to help the detergent dosing.
2. Remove detergent residues from the edges of the dispenser and close the cover until it clicks.
3. Close the lid of the detergent dispenser by pulling it up until the closing device is secured in place.

The detergent dispenser automatically opens up at the right time according to the program.

Usage of detergent not designed for dishwashers may cause malfunction or damage to the appliance.

DAILY USE

1. CHECK WATER CONNECTION

Check that the dishwasher is connected to the water supply and that the tap is open.

2. SWITCH ON THE DISHWASHER

Open the door and press the **ON/OFF** button.

3. LOAD THE RACKS (see *LOADING THE RACKS*).

4. FILL THE DETERGENT DISPENSER

5. CHOOSE THE PROGRAM AND CUSTOMISE THE CYCLE

Select the most appropriate program in accordance with the type of crockery and its soiling level (see *PROGRAMS DESCRIPTION*) by pressing the selected **PROGRAM** button.

Select the desired options (see *OPTIONS AND FUNCTIONS*). Not all options are compatible with all programs.

6. START

Start the wash cycle by pressing **START/Pause** button (led is lit) and closing the door within 4 sec. When the program starts you hear a single beep. If the door was not closed within 4sec., the alarm sound will be played. In this case, open the door, press **START/Pause** button and close the door again within 4 sec.

7. END OF WASH CYCLE

The end of the wash cycle is indicated by sound and the display shows **END**. Open the door and switch off the appliance by pressing the **ON/OFF** button.

Wait for a few minutes before removing the crockery - to avoid burns. Unload the racks, beginning with the lower one.

MODIFYING A RUNNING PROGRAM

If a wrong program was selected, it is possible to change it, provided that it has only just begun. **RESET** the machine: press and hold the **ON/OFF** button for more than 3. sec., and the machine will switch off. **The dashboard will show "0:01"**. Close the door and wait until drain cycle ends (around 1 minute). Open the door and switch the machine back on using the **ON/OFF** button and select the new wash cycle and any desired options. Start the cycle by pressing the **START/Pause** button and closing the door within 4 sec.

ADDING EXTRA CROCKERY

Without switching off the machine, open the door first slightly to avoid water splashing out (**START/Pause** led starts blinking) (**Caution! Hot steam!**) and place the crockery inside the dishwasher. Press the **START/Pause** button and close the door within 4 sec., the cycle will resume from the point at which it was interrupted.

ACCIDENTAL INTERRUPTIONS

If the door is opened during the wash cycle, or if there is a power cut, the cycle stops. **ONLY IF YOU PRESS** the **START/Pause** button and close the door within 4 sec., the cycle will resume from the point at which it was interrupted.

ADVICE AND TIPS

TIPS

Before loading the baskets, remove all food residues from the crockery and empty the glasses. **You do not need to rinse beforehand under running water.**

Arrange the crockery so that it is held in place firmly and does not tip over; and arrange the containers with the openings facing downwards and the concave/convex parts placed obliquely, thus allowing the water to reach every surface and flow freely.

Warning: lids, handles, trays and frying pans should not prevent the sprayer arms from rotating.

Place any small items in the cutlery basket.

Very soiled dishes and pans should be placed in the lower basket because in this sector the water sprays are stronger and allow a higher washing performance.

After loading the appliance, make sure that the sprayer arms can rotate freely.

UNSUITABLE CROCKERY

- Wooden crockery and cutlery.
- Delicately decorated glasses, artistic handicrafts and antique crockery. Their decorations are not resistant.
- Parts in synthetic material which do not withstand high temperatures.
- Copper and tin crockery.
- Crockery soiled with ash, wax, lubricating grease or ink.

The colours of glass decorations and aluminium/silver pieces can change and fade during the washing process. Some types of glass (e.g. crystal objects) can become opaque after a number of wash cycles too.

DAMAGE TO GLASS AND CROCKERY

- Only use glasses and porcelain guaranteed by the manufacturer as dishwasher safe.
- Use a delicate detergent suitable for crockery
- Collect glasses and cutlery from the dishwasher as soon as the wash cycle is over.

TIPS ON ENERGY SAVING

- When the household dishwasher is used according to the manufacturer's instructions, **washing tableware in a dishwasher usually consumes less energy and water than hand dishwashing.**
- In order to maximize dishwasher efficiency, it is recommended to **initiate the wash cycle once the dishwasher is fully loaded.** Loading the household dishwasher up to the capacity indicated by the manufacturer will contribute to energy and water savings. Information on the correct loading of tableware can be found in the Loading chapter. In case of partial loading, it is recommended to use a dedicated wash options if available (Half load/ Zone Wash/ Multizone), filling up only selected racks. Incorrect loading or overloading of the dishwasher may increase resources usage (such as water, energy and time, as well as increase noise level), reducing cleaning and drying performance.
- Manual pre-rinsing of tableware items leads to increased water and energy consumption and is not recommended.

HYGIENE

To avoid odour and sediment which can be accumulated in the dishwasher **please run a high-temperature program at least once a month.** Use a teaspoon of detergent and run it without loading to clean your appliance.

RESISTANCE TO FROST

If the appliance is placed in surroundings exposed to the risk of frost, it **must be drained completely.** Turn off the water tap, remove the inlet and outlet hoses, and let all the water drain away. **Make sure that the water softener is full of dissolved regeneration salt in the salt container,** to protect the appliance from temperatures of up to -20°C.

If the appliance was stored in frost conditions the appliance must remain at an ambient temperature of min. 5°C for **at least 24 hours** before the first run.

PROGRAMS TABLE

Program	Programs description	Drying phase	NaturalDry	Available options ^{*)}	Duration of wash program (h: min) ^{**)}	Water consumption (litres/cycle)	Energy consumption (kWh/cycle)
Eco	Eco 50° - program is suitable to clean normally soiled tableware, that for this use, it is the most efficient program in terms of its combined energy and water consumption, and that it is used to assess compliance with the EU Ecodesign legislation.	✓	✓		4:00	9.5	0.64
	Auto Intensive 65° - Automatic program for heavily soiled dishes and pans.	✓	✓		2:25 - 3:10	15.5 - 24.5	1.30 - 1.70
	Auto Mixed 55° - Automatic program for normally soiled dishes with dried food residues.	✓	✓		1:20 - 3:00	7.5 - 19.5	0.75 - 1.20
	Auto Fast 50° - Automatic program for normally and lightly soiled dishes. The everyday cycle that ensures optimal cleaning and drying performance in shorter time.	✓	✓		1:00 - 1:50	7.5 - 15.5	0.70 - 1.10
	Rapid 45° - Program is recommended for limited amount of lightly-soiled dishes with no dried food residues. Does not include the drying phase.	-	✓		0:30 - 0:40	10.0 - 12.0	0.55 - 0.65
	Crystals 45° - Program for delicate items, which are more sensitive to high temperatures, for example glasses and cups.	✓	✓		1:40 - 1:50	12.5 - 16.5	0.95 - 1.20
	Prewash - Use to refresh crockery planned to be washed later. No detergent is to be used with this program.	-	✓		0:12	4.5	0.10
	Self-Clean 65° - Program to be used to perform maintenance of the dishwasher, to be carried out only when the dishwasher is EMPTY using specific detergents designed for dishwasher maintenance.	-	-		1:15	11.0	1.10

ECO program data is measured under laboratory conditions according to European Standard EN 60436:2020.

Note for Test Laboratories: For information on comparative EN testing conditions, please send an email to the following address: dw_test_support@whirlpool.com

Pre-treatment of the dishes is not needed before any of the programs.

*) Not all options can be used simultaneously.

**) Values given for programs other than the program Eco are indicative only. The actual time may vary depending on many factors such as temperature and pressure of the incoming water, room temperature, amount of detergent, quantity and type of load, load balancing, additional selected options and sensor calibration. The sensor calibration can increase program duration by up to 20 min.

OPTIONS AND FUNCTIONS

OPTIONS can be selected/ deselected, after choosing the program, directly by pressing the corresponding button (if available - the indicator lights up) (see CONTROL PANEL). If an option is not compatible with the selected program (see PROGRAMS TABLE), the corresponding LED flashes rapidly 3 times and beeps will sound. The option will not be enabled. An option can change time or water or energy consumption for the program.

POWERCLEAN PRO - Thanks to the additional power jets this option provides a more intensive and powerful wash in the lower rack, in the specific area. This option is recommended for washing pots and casseroles (Please refer to the PowerClean Pro loading section).

HALF LOAD - If there are not many dishes to be washed, HALF LOAD is used to save water, electricity or time, depending on the selected program. **Remember to halve the amount of detergent.**

EXTRA DRY - The higher temperature during the final rinse and the extended drying phase allow improved drying. The EXTRA DRY option results in the lengthening of the wash cycle.

SILENT - Suitable for night-time operation of the appliance. This option can be used to limit noise emission during wash phases. It will increase cycle time depending on base cycle selection.

SANI RINSE - This option can be used to sanitize washed dishes. It will increase the final rinse temperature and add antibacterial wash to the selected program. Ideal to clean crockery and feeding bottles. The dishwasher door must be kept shut for the entire duration of the program in order to guarantee reduction of germs.

WARNING: the crockery and plates could be extremely hot at the end of the cycle.

TURBO - Thanks to the Turbo option you can reduce time up to 40% depending on the selected based program. Energy and water consumption are increased.

DELAY - The start of the program may be delayed for a period of time between **0:30** and **24** hours.

1. Select the program and any desired options. Press the DELAY button (repeatedly) to delay the start of the program. Adjustable from 0:30 to 24 hours. Once the 24 hours setting is reached, press the DELAY another time to deactivate the DELAY function.

2. Press the START/Pause button and close the door within 4 sec. the timer will begin counting down.

3. Once this time has elapsed, the indicator light switches off and the program begins automatically.

The DELAY function cannot be set once a program has been started.

WATER TAP CLOSED - Alarm - Flashes when there is no inlet water or water tap is closed.

TIME ON THE FLOOR - A LED light projected on the floor indicates the time left to the end of the cycle. The light goes off at the end of a cycle. This feature is active by default, but it is possible to deactivate it in the "SETTINGS MENU".

NaturalDry - It is a convection drying system which automatically opens the door during/after drying phase to ensure exceptional drying performance every day. Door opens at the temperature that is safe to your kitchen furniture, thus door will not be opened when the option of SANI RINSE is on. As additional steam protection, special designed protection foil is added together with the dishwasher.

To see how to mount protection foil please refer to the INSTALLATION GUIDE. This feature is active by default, but it is possible to deactivate it in the "SETTINGS MENU".

INTERNAL LIGHTS - When the feature is active the LEDs in the tub are automatically switched on/off as soon as the user open/close the door respectively. If the door remains opened for more than 10 min, the LEDs in the tub switch off (to turn them on again, the door has to be closed and opened again). This feature is active by default, but it is possible to deactivate it in the "SETTINGS MENU".

DESCALE - Alarm - Limescale accumulation was detected on the internal components of the appliance. Check if the **Water Hardness Setting** is at the correct value and **salt** is present in the salt container (see **FIRST TIME USE**), then **use a descaling product** (WPro brand is recommended) with **Self-Clean program**. After a successful descaling, the icon will stop being displayed.

If the actions above are not performed, product performance will deteriorate. DESCAL warning will start blinking and «**dES**» alarm will appear on the display. If still no action is taken, the appliance will only allow a certain number of cycles to be started (indicated during «**dES**» alarm display) and then will be **BLOCKED** to prevent component damage, **with only the Self-Clean program available**. Performing a full descaling will unblock the product. In the case of extremely high amounts of limescale, descaling may have to be performed twice to be efficient.

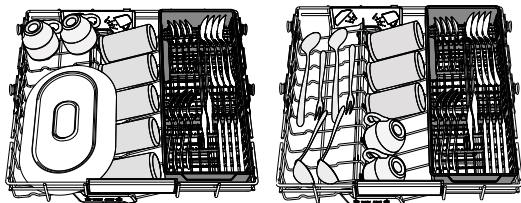
SENSING - When the sensor is detecting the soil level an animation appears in the display (around 20 min.) and the cycle duration is updated. SENSING is for the level of soiling on the dishes and is present for all cycles (excepting Eco) adjusting the program accordingly.

LOADING THE RACKS

CAPACITY: 14 standard place-settings

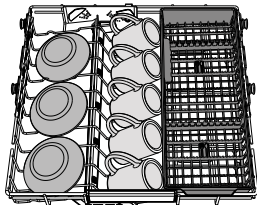
TOP RACK

The top rack provides a targeted cleaning Wash Zone for bowls, mugs, even big plates and cutlery that you'd normally load in the lower racks, making extra space for the rest of the day's dishes.



A separate arrangement of the cutlery makes collection easier after washing and improves washing and drying performance.

Knives and other utensils with sharp edges must be positioned with the blades facing downwards.

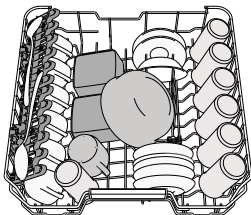


UPPER RACK

Load delicate and light dishes: glasses, cups, saucers, low salad bowls.

The upper rack has tip-up supports which can be used in a vertical position when arranging tea/ dessert saucers or in a lower position to load bowls and food containers.

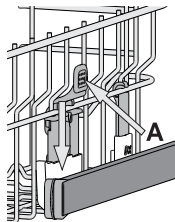
(loading example for the upper rack)



Adjusting the height of the upper rack

The height of the upper rack can be adjusted: a high position to place bulky crockery in the lower basket and a low position to make the most of the tip-up supports by creating more space upwards and avoiding collision with the items loaded into the lower rack.

The upper rack is equipped with an **Upper Rack height adjuster** (see figure), without pressing the levers, lift it up by simply holding the rack sides, as soon as the rack is stable in its upper position. To restore to the lower position, press the levers **A** at the sides of the rack and move the basket downwards.



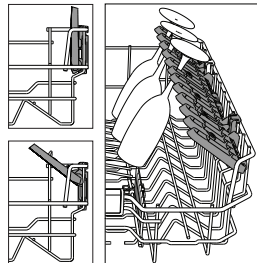
We strongly recommend that you do not adjust the height of the rack when it is loaded. NEVER raise or lower the basket on one side only.

Foldable flaps with adjustable position

The side foldable flaps can be folded or unfolded to optimize the arrangement of crockery inside the rack. Wine glasses can be placed safely in the foldable flaps by inserting the stem of each glass into the corresponding slots.

Depending on the model:

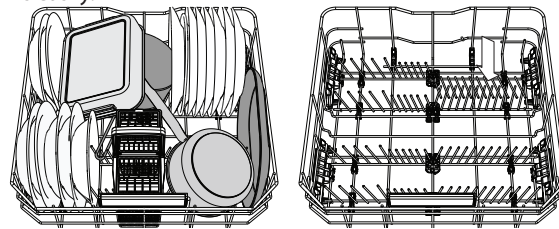
- to unfold the flap there is needed to slide it up and rotate or release it from the snaps and pull it down.
- to fold the flap there is needed to rotate it and slide the flap down or pull it up and attach the flap to the snaps.



LOWER RACK

For pots, lids, plates, salad bowls, cutlery etc. Large plates and lids should ideally be placed at the sides to avoid interferences with the spray arm.

The lower rack has tip-up supports which can be used in a vertical position when arranging plates or in a horizontal position (lower) to load pans and salad bowls easily.



(loading example for the lower rack)

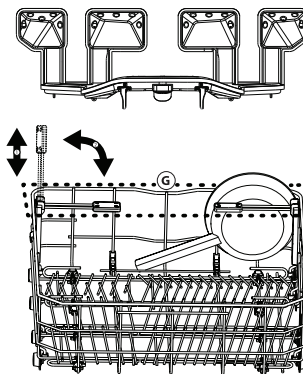
POWERCLEAN PRO

PowerClean Pro uses the special water jets in the rear of cavity to wash more intensively the high dirty items. The lower rack has a Space Zone, a special pull-out support in the rear of the rack that can be used to support frying pans or baking pans in upright position, thus taking up less space.

Placing the pots/casseroles faced to the PowerClean Pro component please activate the **POWERCLEAN PRO** on the panel.

How to use PowerClean Pro:

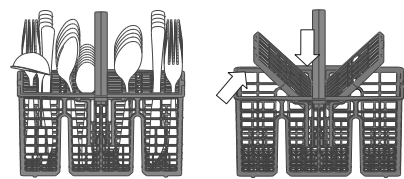
1. Adjust the PowerClean Pro area **G** folding down the rear plate holders to load pots.
2. Load pots and casseroles inclined vertically in PowerClean Pro area. Pots have to be inclined towards the power water jets.



Cutlery basket

It is fitted with top grids for improved cutlery arrangement. It must only be positioned at the front of the lower rack.

Knives and other utensils with sharp edges must be placed in the cutlery basket with the points facing downwards or they must be positioned horizontally in the tip-up compartments on the upper rack.



CARE AND MAINTENANCE

CLEANING THE FILTER ASSEMBLY

Regularly clean the filter assembly so that the filters do not clog and that the waste water flows away correctly.

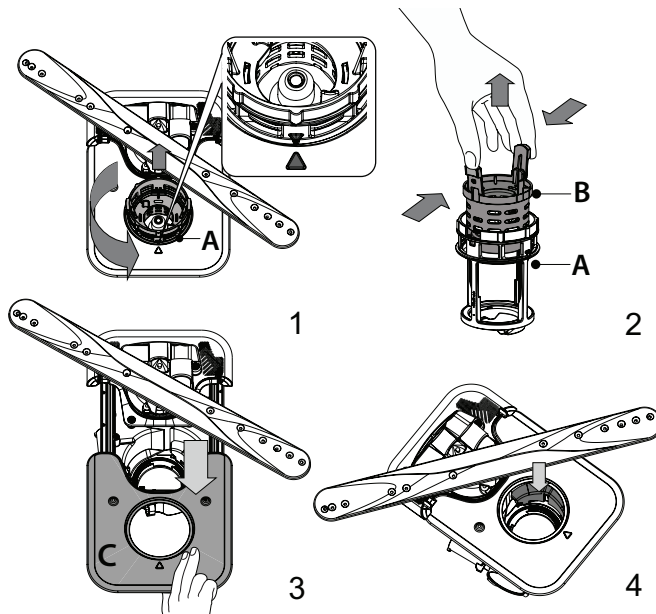
Using the dishwasher with clogged filters or foreign objects inside the filtration system or spray arms may cause unit malfunction resulting in loss of performance, noisy work or higher resources usage.

The filter assembly consists of three filters which remove food residues from the washing water and then recirculate the water.

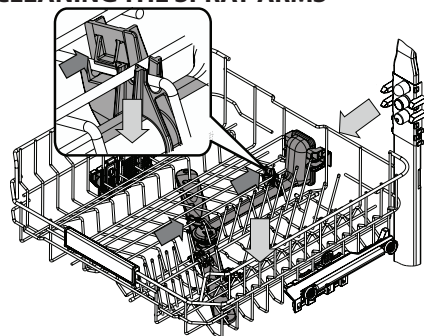
The dishwasher must not be used without filters or if the filter is loose.

At least once per month or after every 30 cycles, check the filter assembly and if necessary clean it thoroughly under running water, using a non-metallic brush and following the instructions below:

1. Turn the cylindrical filter **A** in an anti-clockwise direction and pull it out (Fig 1). **It is important when reinstalling the filter that the two triangles shown on the zoom meet.**
2. Remove the cup filter **B** by exerting a slight pressure on the side flaps (Fig 2).
3. Slide out the stainless-steel plate filter **C** (Fig 3).
4. In case you find foreign objects (such as broken glass, porcelain, bones, fruit seeds etc.) **please remove them carefully.**
5. Inspect the trap and remove any food residues. **NEVER REMOVE** the wash-cycle pump protection (shown by an arrow) (Fig 4). After cleaning the filters, replace the filter assembly and fix it in position correctly; this is essential for maintaining the efficient operation of the dishwasher.

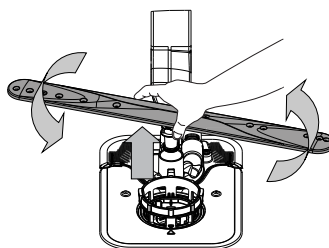


CLEANING THE SPRAY ARMS

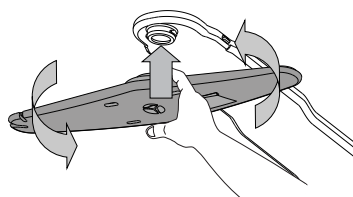


On occasions, food residue may become encrusted onto the spray arms and block the holes used to spray the water. It is therefore recommended that you check the arms from time to time and clean them with a small non-metallic brush.

To remove the upper spray arm you must remove it together with the manifold.



The lower spray arm may be removed by pulling it upwards and rotating it anti-clockwise. Mounting back the spray arm is by pulling it down and rotating it clockwise.



The top spray arm may be removed by pressing it up and then rotating it anti-clockwise. Mounting back the spray arm is by pulling it upwards and rotating it clockwise.

The Top Rack has a fixed wash tube with all the wash nozzles facing upward. To clean it you can slide the rack out and with a tweezer remove items that may be lodged in the nozzles.

TROUBLESHOOTING

In case your dishwasher doesn't work properly, check if the problem can be solved by going through the following list. For other errors or issues please contact authorized After-sales Service whose contact details can be found in the warranty booklet. Spare parts will be available for a period of either up to 7 or up to 10 years, according to the specific Regulation requirements.

PROBLEMS	POSSIBLE CAUSES	SOLUTIONS
The salt indicator is lit	Salt reservoir is almost empty.	Refill the reservoir with salt (for more information - see <i>FILLING THE SALT RESERVOIR</i>). Check the water hardness setting if necessary (see <i>WATER HARDNESS TABLE</i>).
The salt indicator is blinking	Salt reservoir is empty.	Refill the reservoir with salt as soon as possible. Using the appliance without salt may cause damage to its internal components.
The rinse aid indicator is lit or blinking	Rinse aid dispenser is empty. (After refill the rinse aid indicator may remain lit for a short time).	Refill the dispenser with rinse aid (for more information - see <i>FILLING THE RINSE AID DISPENSER</i>).
Descal indicator is lit or blinking; "dES" alarm is displayed.	Limescale is accumulating on internal components of the appliance.	Descale the appliance immediately using the Self Clean program and a commercially available descaling product (see <i>OPTIONS AND FUNCTIONS</i>). Refill the reservoir with salt. Check the water hardness setting. If the appliance is not descaled, it will stop functioning.
The dishwasher won't start or does not respond to commands.	The appliance has not been plugged in properly.	Insert the plug into the socket.
	Power outage.	For safety reasons, the dishwasher will not restart automatically when power returns. Open dishwasher door, press START/Pause button and close the door within 4 seconds.
	The dishwasher door is not closed. NaturalDry pin is not pulled in.	Vigorously push the door until you hear the "click".
	A cycle is interrupted by door opening for more than 4 seconds.	Press START/Pause and close the door within 4 seconds.
The dishwasher won't drain. Display shows: F7 E3 or F9 E1	The filter is clogged with food residues or limescale	Clean the filter and descale the appliance (see <i>CLEANING THE FILTER ASSEMBLY and DESCALE INSTRUCTION</i>).
	The drain hose is kinked.	Check the drain hose (see <i>INSTALLATION INSTRUCTION</i>).
	The sink drain pipe is blocked.	Clean the sink drain pipe.
The dishwasher makes excessive noise.	Dishes are rattling against each other.	Position the crockery correctly (see <i>LOADING THE RACKS</i>).
	An excessive amount of foam is present.	The detergent has not been measured out correctly or it is not suitable for use in dishwashers (see <i>FILLING THE DETERGENT DISPENSER</i>). Restart the current cycle by switching OFF the dishwasher, then switch it on again, select a new program, press START/Pause and close the door within 4 seconds. Please do not add any detergent.
	Crockery has not been arranged properly.	Arrange the crockery correctly (see <i>LOADING THE RACKS</i>).
	The filter is clogged with food residues or limescale.	Clean the filter assembly (see <i>CARE AND MAINTENANCE</i>).
The dishes are not clean.	Crockery has not been arranged properly.	Arrange the crockery correctly (see <i>LOADING THE RACKS</i>).
	Spray arms cannot rotate freely, being hindered by the dishes.	Arrange the crockery correctly (see <i>LOADING THE RACKS</i>). Check that the upper rack is in the correct position and adjust (lift up) if necessary.
	The wash cycle is too gentle.	Select an appropriate wash cycle (see <i>PROGRAMS TABLE</i>).
	An excessive amount of foam is present.	The detergent has not been measured out correctly or it is not suitable for use in dishwashers (see <i>FILLING THE DETERGENT DISPENSER</i>).
	The cap on the rinse aid compartment has not been closed correctly.	Make sure the cap of the rinse aid dispenser is closed.
	The filter is clogged with food residues or limescale.	Clean the filter and descale the appliance (see <i>CLEANING THE FILTER ASSEMBLY</i>).
	The salt reservoir is empty.	Fill the salt reservoir (see <i>FILLING THE SALT RESERVOIR</i>).

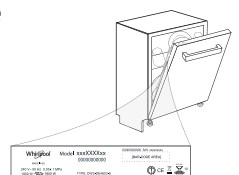
PROBLEMS	POSSIBLE CAUSES	SOLUTIONS
The dishwasher does not fill the water. The display shows: H2O and \emptyset is lit; acoustic alarm sounds.	No water in the water supply or the tap is closed.	Make sure there is water in the water supply and the water tap is open.
	The water inlet hose is kinked.	Check the inlet hose (see <i>INSTALLATION</i>). Open dishwasher door, press START/Pause button and close the door within 4 seconds.
	The screen in the water inlet hose is clogged; it is necessary to clean it.	Check and clean the screen in the water inlet hose. Open dishwasher door, press START/Pause button and close the door within 4 seconds.
The dishwasher finishes the cycle prematurely. The display shows: F8 E3	The filter is clogged with food residues or lime-scale.	Clean the filter and descale the appliance (see <i>CLEANING THE FILTER ASSEMBLY and DESCALE INSTRUCTION</i>).
	Drain hose positioned too low or siphoning into the home sewage system.	Check if the end of the drain hose is placed at the correct height (see <i>INSTALLATION</i>). Check for siphoning into the home sewage system, and install a siphon breaker/air admittance valve if necessary.
	An excessive amount of foam is present.	The detergent has not been measured out correctly or it is not suitable for use in dishwashers (see <i>FILLING THE DETERGENT DISPENSER</i>).
	Air in the water supply.	Check water supply for leaks or other issues letting air inside.
The dishes are not dried well.	Rinse aid is not present or the dosage is too low.	Make sure the rinse aid dispenser is filled (see <i>FILLING THE RINSE AID DISPENSER</i>). Multifunctional tablets only will not provide as good drying effects as the actual use of liquid rinse aid.
	The dishes have been unloaded after the door was opened automatically but before the actual cycle end.	Make sure the cycle has ended before starting to unload the dishes (see <i>DAILY USE</i>). For even better drying results, it is recommended to let the dishes sit inside the dishwasher with the door open for additional 15 minutes after the cycle ends.
	The dishes are sitting too flat.	If you notice puddles of water inside cavities of cups, mugs or bowls, try loading the dishes (especially in the upper rack) providing more inclination to let larger amounts of water drip down before drying starts.
	The selected cycle does not have the drying phase.	Please check in the <i>PROGRAMS TABLE</i> if the selected program is equipped in the drying phase. A cycle without the drying phase may not deliver desired drying efficiency, so it is recommended to change cycle selection for the one that has the drying phase.
	The dishes are made of non-stick or plastic.	Some water drops remaining on this type of material are normal.
Dishes and glasses have blue streaks or bluish tinges.	Rinse aid dosage is excessive.	Adjust the dosage to a lower setting.
Dishes and glasses are covered with limescale or a whitish film.	The salt reservoir is empty.	Refill the reservoir with salt as soon as possible. Using the appliance without salt may cause damage to its internal components.
	The water hardness setting is too low.	Increase the setting (see <i>WATER HARDNESS TABLE</i>).
	The cap of the salt reservoir is not properly closed.	Check and close the salt reservoir cap.
	The rinse aid reservoir is empty or the rinse aid dosage is insufficient.	Refill the dispenser with rinse aid and check the dosage setting (for more information - see <i>FILLING THE RINSE AID DISPENSER</i>).
The dishwasher shows F8 E5	Valve is blocked or faulty.	Close the water tap, if possible. Do not switch off the power supply. Call the service.



Policies, standard documentation, ordering of spare parts and additional product information can be found by:

- Using QR code and visiting our website: docs.bauknecht.eu
- Visiting our website: parts-selfservice.whirlpool.com
- Alternatively, **contact our After-sales Service** (See phone number in the warranty booklet). When contacting our After-sales Service, please state the codes provided on your product's identification plate.

The model information can be retrieved using the QR-Code reported in the energy label. The label also includes the model identifier that can be used to consult the portal of the registry at <https://eprel.ec.europa.eu>





DANKE, DASS SIE SICH FÜR EIN BAUKNECHT PRODUKT ENTSCHEIDEN HABEN
Für eine umfassendere Unterstützung melden Sie Ihr Gerät bitte an unter: www.bauknecht.eu/register

Diese Sicherheits- und Installationsanweisungen vor dem Gebrauch aufmerksam durchlesen. Weitere Informationen über Ihr Produkt sind auf folgender Website verfügbar: docs.bauknecht.eu heruntergeladen werden.

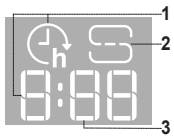
Denken Sie nach der Installation daran, sämtliche Teile zum Transportschutz aus dem Geschirrspüler zu entfernen.

BEDIENTAFEL



- EIN-AUS/Reset** Taste mit Anzeigelicht
- Öko-Programm**-Taste mit Anzeigelicht
- Auto-Intensiv-Programm**-Taste mit Anzeigelicht
- Auto-Gemischt-Programm**-Taste mit Anzeigelicht
- Auto-Schnell-Programm**-Taste mit Anzeigelicht
- Schnell-Programm**-Taste mit Anzeigelicht
- Gläser-Programm**-Taste mit Anzeigelicht/ **Selbstreinigungsprogramm** - 3 s drücken
- Vorwasch-Programm**-Taste mit Anzeigelicht
- Anzeigelicht für **Salzbehälter** leer
- Anzeigelicht für **Klarspüler** leer
- Display**
- Programmnummer** und verbleibende Zeitanzeige
- Wasserhahn** zu Anzeigelicht
- ENTKALKEN** - Anzeigelicht
- PowerClean Pro-Optionstaste** mit Anzeigelicht
- Halbe Füllmenge-Optionstaste** mit Anzeigelicht
- Extra Trocken-Optionstaste** mit Anzeigelicht / **Einstellungen** - 3 s drücken
- Leiser Betrieb-Optionstaste** mit Anzeigelicht
- Antibakterielle Spülung-Optionstaste** mit Anzeigelicht
- Superschnell-Optionstaste** mit Anzeigelicht
- Startvwahl-Optionstaste** mit Anzeigelicht
- START/Pause** - Taste mit Anzeigelicht

ANZEIGE AM BODEN

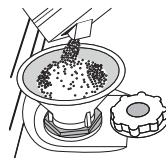


- Verzögerungszeit am Boden** – zeigt an, wie viel Zeit bis zum Programmstart bleibt, wenn die Verzögerungsoption gewählt wurde
- Salzbehälter leer** – Anzeigelicht am Boden
- Verbleibende Zeit am Boden** – zeigt an, wie viel Zeit bis zum Programmende bleibt

ERSTER GEBRAUCH

EINSTELLUNGSMENÜ

- Gerät mit der **EIN-AUS** -Taste einschalten.
- Die Einstellungen (Extra Trocken 3 Sekunden lang gedrückt halten, bis Sie einen Piepton hören und das Display „**SET**“ anzeigt.
- Nach einer Sekunde wird die erste verfügbare Einstellung (Buchstabe „h“) angezeigt.
- Drücken Sie die **Vorwasch-Programm** / **PowerClean Pro-Option** -Tasten zum Durchblättern der Liste der verfügbaren Einstellungen (siehe Tabelle unten). Drücken Sie dann **START/Pause** , um den Wert der aktuell ausgewählten Einstellung zu ändern.
- Drücken **Siedie Vorwasch-Programm** / **PowerClean Pro-Option** , um den Wert zu ändern. Drücken Sie dann **START/Pause** , um den neuen Wert zu speichern.
- Zum Ändern einer weiteren Einstellung wiederholen Sie die Punkte 2 und 5.
- Drücken Sie **EIN-AUS** oder warten Sie 30 Sekunden, um das Menü zu verlassen.



- Ziehen Sie den Unterkorb heraus und schrauben Sie den Salzbehälterdeckel gegen den Uhrzeigersinn ab.
- Setzen Sie den Trichter auf (siehe Abbildung) und füllen Sie den Behälter bis zum Rand mit Salz (ca. 0,5 kg), es ist normal, wenn etwas Wasser ausläuft.
- Nur beim ersten Mal: Befüllen Sie den Salzbehälter mit Wasser.**

4. Den Trichter abnehmen und die Salzreste vom Öffnungsrand entfernen. Sicherstellen, dass der Deckel fest angeschraubt ist, so dass kein Spülmittel während dem Waschprogramm in den Behälter gelangt (dies könnte den Wasserenthärter irreparabel beschädigen). **Lassen Sie jedes Mal, sobald Sie das Nachfüllen des Salzbehälters beendet haben, ein Programm laufen, um Korrosion zu vermeiden.**

Wasserhärte einstellen

Damit der Wasserenthärter perfekt arbeiten kann, muss die Wasserhärte je nach der aktuellen Wasserhärte in Ihrem Haus eingestellt werden. Diese Information erhalten sie bei Ihrem örtlichen Wasserversorger. Die werkseitige Einstellung ist „3“. Siehe **WASSERHÄRTE-TABELLE**.

BUCHSTABE	EINSTELLUNG	WERTE (Standard - fettgedruckt)
	Wasserhärtegrad (siehe "WASSERHÄRTE EINSTELLEN" und "WASSERHÄRTE-TABELLE")	1 2 3 4 5
	Dosierstufe des Klarspülers (siehe "KLARSPÜLERDOSIERUNG")	0 1 2 3 4 5
	NaturalDry (siehe "OPTIONEN UND FUNKTIONEN") "1" = Ein, "0" = Aus	1 0
	Zeit am Boden (siehe "OPTIONEN UND FUNKTIONEN") "1" = Ein, "0" = Aus	1 0
	Ton "1" = Ein, "0" = Aus	1 0
	Innenbeleuchtungen (siehe "OPTIONEN UND FUNKTIONEN") "1" = Ein, "0" = Aus	1 0
	Werkseinstellungen Drücken Sie START/Pause zum Rückstellen aller Werte der Einstellungen im Einstellungsmenü auf die Standardwerkseinstellung.	-

Stufe	°dH	°fH	°Clark
	Deut. Härtegr.	Französischer Härtegr.	Engl. Härtegr.
1 (Weich)	0 - 6	0 - 10	0 - 7
2 (Mittel)	7 - 11	11 - 20	8 - 14
3 (Durchschnittlich)	12 - 16	21 - 29	15 - 20
4 (Hart)	17 - 34	30 - 60	21 - 42
5 (Sehr hart)	35 - 50	61 - 90	43 - 62

Zum Ändern befolgen Sie die Anweisungen im Abschnitt „EINSTELLUNGSMENÜ“. **Verwenden Sie bitte nur Spezi­alsalz für Geschirrspüler.** Nach dem Einfüllen des Salzes erlischt die **SALZNACHFÜLLANZEIGE**.

Wenn der Salzbehälter nicht gefüllt ist, könnten Kesselsteinablagerungen den Wasserenthärter und das Heizelement beschädigen. Die Verwendung von Salz wird bei jeder Art von Geschirrspülmittel empfohlen.

WASSERENTHÄRTUNG

Der Wasserenthärter reduziert automatisch die Wasserhärte, verhindert Kesselsteinablagerungen am Heizelement und trägt somit zu einer höheren Reinigungsleistung bei.

Dieses System regeneriert sich mit Salz, daher ist es erforderlich, Salz in den Behälter zu füllen, wenn dieser leer ist.

Die Regenerierungshäufigkeit hängt von eingestellten Stufe für die Wasserhärte ab - die Regenerierung findet einmal alle **4-6** Öko-Zyklen bei Wasserhärte auf **3** statt. Der Regenerationsprozess findet zu Beginn des Programms mit zusätzlichem Frischwasser statt.

- Eine einzelne Regeneration verbraucht: ~3 l Wasser;
- Das Programm dauert bis zu 5 Minuten länger;
- Energieverbrauch unter 0,005 kWh.

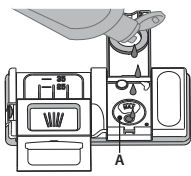
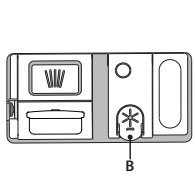
SALZBEHÄLTER BEFÜLLEN

Mit der Verwendung von Salz werden **KALKABLAGERUNGEN** auf dem Geschirr und den funktionalen Komponenten des Geschirrspülers verhindert. Der Salzbehälter befindet sich im unteren Teil des Geschirrspülers (unter dem Unterkorb auf der linken Seite).

- **DER SALZBEHÄLTER DARF NIE LEER SEIN!**
- Es ist wichtig, die Wasserhärte einzustellen.
- Salz muss eingefüllt werden, wenn auf der Bedienblende die Anzeigeluchte der **SALZNACHFÜLLANZEIGE** aufleuchtet.

KLARSPÜLERSPENDER AUFFÜLLEN

Klarspüler macht das TROCKNEN von Geschirr einfacher. Der Klarspülerspender **A** muss aufgefüllt werden, wenn das **KLARSPÜLER AUFFÜLLEN Anzeigelicht**  auf der Bedienblende leuchtet.



1. Den Behälter **B** durch Drücken und Anheben der Zunge am Deckel öffnen.
2. Den Klarspüler vorsichtig bis zur maximalen Füllstandsmarkierung (110 ml) an der Füllöffnung einfüllen und ein Überlaufen vermeiden.

Andernfalls sofort mit einem trockenen Tuch abwischen.

3. Den Deckel schließen bis er einrastet.

Füllen Sie den Klarspüler NIEMALS direkt ins Innere des Geschirrspülers.

Klarspülerdosierung

Sollte das Trockenergebnis unzufrieden stellend sein, kann die Klarspülerdosierung neu eingestellt werden.

Zum Ändern befolgen Sie die Anweisungen im Abschnitt „EINSTELLUNGSMENÜ“.

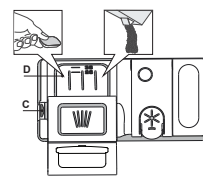
Die Klarspülerstufe kann auf NULL eingestellt werden. In diesem Fall wird kein Klarspüler ausgegeben. **Die Kontrollleuchte zur ANZEIGE DES FEHLENDEN KLARSPÜLERS** leuchtet nicht mehr auf.

Je nach Gerätemodell können bis max. **6** Stufen eingestellt werden.

- Wenn Sie bläuliche Streifen auf dem Geschirr sehen, stellen Sie eine niedrigere Zahl ein (0-3).
- Wenn Wassertropfen oder Kalkablagerungen auf dem Geschirr sind, eine höhere Zahl einstellen (4-5).

EINFÜLLEN DES SPÜLMITTELS

Zum Öffnen des Spülmittelbehälters den Öffnungsmechanismus **C** drücken. Füllen Sie das Spülmittel ausschließlich in das trockene Fach **D** ein. Die für den Vorspülgang benötigte Spülmittelmenge wird direkt in den Geschirrspüler gegeben.



1. Hinsichtlich der Dosierung verweisen wir auf die zuvor erwähnte Information, in der die richtige Menge angegeben ist. Im Fach D sind Anzeigen die bei der Spülmitteldosierung helfen.
2. Entfernen Sie eventuelle Spülmittelrückstände von den Kanten der Kammern und schließen Sie den Deckel so, dass er einrastet.
3. Schieben Sie den Deckel der Spülmittelkammer zum Schließen nach oben, bis er einrastet.

Die Spülmittelkammer öffnet sich automatisch zum richtigen Zeitpunkt des jeweils gewählten Programms.

Die Verwendung von Reinigungsmitteln, die nicht für Geschirrspüler bestimmt sind, kann zu Fehlfunktionen oder Schäden am Gerät führen.

TÄGLICHER GEBRAUCH

1. ANSCHLUSS AN DIE WASSERLEITUNG PRÜFEN

Sicherstellen, dass der Geschirrspüler an die Wasserleitung angeschlossen und der Wasserhahn auf ist.

2. SCHALTEN SIE DEN GESCHIRRSPÜLER EIN

Tür öffnen und **EIN-AUS**-Taste drücken.

3. KÖRBE BELADEN (siehe KÖRBE BELADEN)

4. EINFÜLLEN DES SPÜLMITTELS

5. PROGRAMM WÄHLEN UND DAS PROGRAMM ANPASSEN

Das am besten geeignete Programm je nach Besteckart und Verschmutzungsgrad (siehe PROGRAMMBESCHREIBUNG) durch Drücken der gewählten **PROGRAMM**-Taste auswählen. Die gewünschten Optionen auswählen (siehe OPTIONEN UND FUNKTIONEN). Nicht alle Optionen sind mit allen Programmen kompatibel.

6. START

Starten Sie das Spülprogramm mit der Taste **START/Pause** (LED leuchtet) und schließen Sie die Tür innerhalb von 4 Sek. Bei Programmstart ertönt ein einzelner Piepton. Wenn die Tür nicht innerhalb von 4 Sek. geschlossen wurde, ertönt der akustische Alarm. Öffnen Sie in diesem Fall die Tür, drücken Sie die Taste **START/Pause** und schließen Sie die Tür erneut innerhalb von 4 Sekunden.

7. ENDE DES SPÜLPROGRAMMS

Das Ende des Spülprogramms wird durch Pieptöne angegeben und auf dem Display erscheint **END** (ENDE). Die Tür öffnen und das Gerät mit der **EIN-AUS**-Taste ausschalten.

Vor Entnahme des Bestecks einige Minuten warten - um Verbrennungen zu vermeiden. Die Körbe entladen, mit dem Unteren beginnen.

ÄNDERN EINES LAUFENDEN PROGRAMMS

Wenn ein falsches Programm ausgewählt wurde, kann es geändert werden, wenn es gerade erst gestartet wurde. **RÜCKSETZEN** der Maschine: die **EIN-AUS**-Taste drücken und länger als 3 s gedrückt halten, um die Maschine auszuschalten. **Das Bedienfeld zeigt "0:01"**. Schließen Sie die Tür und warten Sie, bis der Waschgang «Schleudern und abpumpen» beendet ist (rund 1 Minute). Öffnen Sie die Tür und schalten Sie die Maschine mit der Taste **EIN-AUS** wieder ein. Wählen Sie das neue Spülprogramm und die gewünschten Optionen aus. Das Spülprogramm durch Drücken der Taste **START/Pause** starten und die Tür innerhalb von 4 s schließen.

HINZUFÜGEN VON WEITEREM GESCHIRR

Ohne die Maschine auszuschalten, die Tür erst leicht öffnen, um zu verhindern, dass Wasser herausspritzt (**START/Pause** LED beginnt zu blinken) (**Vorsicht! Heißer Dampf!**) und das Geschirr in den Geschirrspüler geben. Die Taste **START/Pause** drücken und innerhalb von 4 Sek.. die Tür schließen; das Programm läuft automatisch weiter, wo es unterbrochen wurde.

VERSEHENTLICHE UNTERBRECHUNGEN

Wird während des Spülgangs die Gerätetür geöffnet, oder sollte ein Stromausfall stattfinden, wird der Spülgang unterbrochen. **NUR, WENN SIE die START/Pause-Taste DRÜCKEN** und die Tür innerhalb von 4 s schließen, läuft das Programm automatisch weiter, wo es unterbrochen wurde.

HINWEISE UND TIPPS

EMPFEHLUNGEN

Bevor Sie das Geschirr in den Geschirrspüler einräumen, befreien Sie es von Speiserückständen und entleeren Sie Gläser und Behälter von Flüssigkeitsresten. **Es ist nicht notwendig, das Geschirr unter fließendem Wasser vorzuspülen.**

Stellen Sie das Geschirr so ein, dass es fest steht und nicht umfallen kann. Behälter müssen mit der Öffnung nach unten eingestellt werden und hohle oder gewölbte Teile müssen schräg stehen, damit das Wasser alle Oberflächen erreicht und dann abfließen kann.

Achtung : Achten Sie darauf, dass Deckel, Griffe, Töpfe und Tablett die Drehung der Sprüharme nicht behindern. Stellen Sie kleine Gegenstände in den Besteckkorb. Stark verschmutztes Geschirr und Töpfe sollten in dem Unterkorb untergebracht werden, da in diesem Bereich die Wasserstrahlen stärker sind und eine höhere Spüleistung garantieren. Stellen Sie nach Einräumen des Geschirrs sicher, dass sich die Sprüharme frei bewegen können.

UNGEEIGNETES GESCHIRR

- Besteck und Geschirr aus Holz.
 - Empfindliche Dekorgläser, handgemachte Teller und antikes Geschirr. Die Dekore sind nicht spülmaschinenfest.
 - Nicht temperaturbeständige Kunststoffteile.
 - Geschirr aus Kupfer und Zinn.
- Mit Asche, Wachs, Schmieröl oder Tinte verschmutztes Geschirr. Glasdekore, Aluminium- und Silberteile können während des Spülgangs die Farbe verändern und ausbleichen. Auch einige Glasarten (z.B. Kristallgegenstände) können nach mehreren Spülgängen matt werden.

SCHÄDEN AN GLAS UND GESCHIRR

- Spülen Sie nur Gläser und Geschirr in Ihrem Geschirrspüler, die vom Hersteller als spülmaschinenfest ausgezeichnet sind.
- Verwenden Sie ein Feinspülmittel für Geschirr.
- Nehmen Sie Gläser und Besteck so bald wie möglich nach Ablauf des Programms aus der Spülmaschine.

ENERGIESPARTIPPS

- Sofern man die Herstelleranweisungen beim Einsatz beachtet, **verbraucht das Waschen von Geschirr im Geschirrspüler in der Regel WENIGER ENERGIE und Wasser als Handspülen.**
- Um die Effizienz des Geschirrspülers zu maximieren, empfiehlt es sich, **das Spülprogramm bei voll beladenem Gerät zu starten.** Wenn der Geschirrspüler bis zur vom Hersteller angegebenen Kapazität beladen wird, hilft dies, Energie und Wasser zu sparen. Angaben über die korrekte Beladung von Geschirr finden Sie im Kapitel BELADEN DER KÖRBE. Bei Teilbeladung empfiehlt es sich, die speziellen Spülprogramme (Halbe Beladung / Zone Wash / Multizone) zu verwenden und nur die entsprechenden Körbe zu beladen. Bei einer fehlerhaften Beladung oder Überladung des Geschirrspülers könnten mehr Ressourcen verbraucht (z. B. Wasser, Energie und Zeit), der Geräuschpegel erhöht und die Reinigungs- und Trocknungsleistung verringert werden.
- Das manuelle Vorspülen von Geschirr führt zu erhöhtem Wasser- und Energieverbrauch und wird nicht empfohlen.





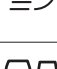


HYGIENE

Um Gerüche und Ablagerung, die sich in dem Geschirrspüler ansetzen können zu vermeiden, **bitte mindestens einmal monatlich ein Hochtemperaturprogramm laufen lassen.** Einen Teelöffel Spülmittel verwenden und ohne Geschirr laufen lassen, um Ihr Gerät zu reinigen.

FROSTSICHERHEIT

Steht das Gerät in einem frostgefährdeten Raum, so **muss es vollständig von Wasserentleert werden.** Wasserhahn schließen, Zu- und Ablaufschlauch lösen und das gesamte Wasser abpumpen. **Darauf achten, dass der Wasserenthärter mit gelöstem Regeneriersalz im Regeneriersalzbehälter gefüllt ist;** dies stellt einen wirksamen Geräteschutz gegen Temperaturen bis zu -20°C dar. Wenn das Gerät unter frostigen Bedingungen gelagert wurde, muss das Gerät vor dem ersten Spülgang **mindestens 24 Stundenlang** bei einer Umgebungstemperatur von min. 5 °C stehen bleiben.

PROGRAMMTABELLE

Programm	Programmbeschreibung	Trockenphase	NaturalDry	Verfügbare Zusatzfunktionen *)	Programmdauer (Std:Min)**)	Wasserverbrauch (Liter/ Zyklus)	Energieverbrauch (kWh/ Zyklus)
Eco	Öko 50° - Das Öko-Programm eignet sich, um normal verschmutztes Geschirr zu reinigen. In Bezug auf den kombinierten Energie- und Wasserverbrauch ist es das effizienteste Programm, das auch zur Prüfung der Einhaltung der Ökodesign-Richtlinie verwendet wird.	✓	✓	POWER CLEAN 1/2 + ✨ 🔄 ⌚	4:00	9,5	0,64
	Auto Intensiv 65° - Automatisches Programm für stark verschmutztes Geschirr und Töpfe.	✓	✓	POWER CLEAN 1/2 + ✨ 🔄 ⌚	2:25 - 3:10	15,5 - 24,5	1,30 - 1,70
	Auto Gemischt 55° - Automatisches Programm für normal verschmutztes Geschirr mit ange-trockneten Lebensmittelrückständen.	✓	✓	POWER CLEAN 1/2 + ✨ 🔄 ⌚	1:20 - 3:00	7,5 - 19,5	0,75 - 1,20
	Auto Schnell 50° - Automatisches Programm für normal und leicht verschmutztes Geschirr. Täglicher Zyklus, der optimale Reinigungs- und Trockenleistung in kürzerer Zeit garantiert.	✓	✓	POWER CLEAN 1/2 + ✨ 🔄 ⌚	1:00 - 1:50	7,5 - 15,5	0,70 - 1,10
	Schnell 45° - Das Programm wird für eine begrenzte Menge an leicht verschmutztem Geschirr ohne ange-trocknete Lebensmittelrückstände empfohlen. Es umfasst keinen Trockengang.	-	✓	1/2 + ✨ 🔄 ⌚	0:30 - 0:40	10,0 - 12,0	0,55 - 0,65
	Gläser 45° - Programm für empfindliches Geschirr, das empfindlicher auf hohe Temperaturen ist, zum Beispiel Gläser und Becher.	✓	✓	1/2 + ✨ 🔄 ⌚	1:40 - 1:50	12,5 - 16,5	0,95 - 1,20
	Vorwasch - Verwendet, um Geschirr einzuweichen, das später gespült werden soll. Für dieses Programm wird kein Spülmittel verwendet.	-	✓	1/2 ⌚	0:12	4,5	0,10
	Selbstreinigung 65° - Programm, das für die Pflege des Geschirrspülers zu verwenden ist. Es ist nur bei LE-EREM Geschirrspüler und mit speziellen Reinigungsmitteln für die Pflege des Geschirrspülers auszuführen.	-	-	🔄 ⌚	1:15	11,0	1,10

Die Öko-Programmdaten sind Labormessdaten, die gemäß der europäischen Vorschrift EN 60436:2020 erfasst wurden.

Hinweis für die Prüflabors: Informationen hinsichtlich der Bedingungen des EN-Vergleichstests sind unter nachfolgender Adresse anzufordern: dw_test_support@whirlpool.com
Eine Vorbehandlung des Geschirrs ist vor keinem Programm erforderlich.

*) Nicht alle Optionen können gleichzeitig verwendet werden.

**) Werte, die für andere Programme als das Öko-Programm angegeben werden, sind nur Richtwerte. Die aktuelle Zeit kann auf Grundlage von mehreren Faktoren, wie Temperatur und Druck des eintretenden Wassers, Raumtemperatur, Spülmittelmenge, Menge und Art der Beladung, Lastausgleich, zusätzlich gewählte Optionen und Sensoreichung variieren. Die Sensoreichung kann die Programmdauer bis zu 20 Min. erhöhen.

OPTIONEN UND FUNKTIONEN

OPTIONEN können nach Auswahl des Programms direkt durch Drücken der jeweiligen Taste gewählt bzw. abgewählt werden (falls vorhanden - die Anzeige leuchtet auf) (siehe BEDIENFELD). Wenn eine Option nicht mit dem ausgewählten Programm kompatibel ist (siehe PROGRAMMTABELLE), blinken die entsprechenden LED 3 Mal schnell und ein Piepton ertönt. Die Option wird nicht aktiviert. Eine Option kann Zeit, Wasser oder Stromverbrauch für das Programm ändern.

POWERCLEAN PRO - Mit den zusätzlichen Powerdüsen bietet diese Option im dafür vorgesehenen Bereich im Unterkorb einen intensiveren und stärkeren Spülvorgang. Diese Zusatzfunktion ist ideal zum Reinigen von Töpfen und Brättern (Beachten Sie bitte den PowerClean Pro Beladungsbereich).

HALBE FÜLLMENGE - Haben Sie nur wenig Geschirr zu spülen, wählen Sie HALBE FÜLLMENGE. Sie sparen Wasser, Strom oder Zeit, je nach gewähltem Programm.

Denken Sie daran, die Spülmittelmenge zu verringern.

EXTRA TROCKEN - Die höhere Temperatur während des letzten Spülgangs sowie die verlängerte Trockenphase gestatten eine verbesserte Trocknung. Die Option EXTRA TROCKEN verlängert die Programmdauer.

LEISER BETRIEB - Geeignet für den Nachtbetrieb des Gerätes. Diese Option kann verwendet werden, um die Geräuschemissionen während der Spülgänge zu beschränken. Sie erhöht die Zykluszeit abhängig von der Auswahl des Basisprogramms.

ANTIBAKTERIELLE SPÜLUNG - Diese Option kann verwendet werden, um gewaschenes Geschirr zu desinfizieren. Dabei wird die Spültemperatur am Ende erhöht und antibakterielles Waschen zu dem ausgewählten Programm zugefügt. Ideal zum Reinigen von Geschirr und Babyflaschen. Die Geschirrspülertür muss während des gesamten Programms geschlossen bleiben, um eine Verringerung der Keime zu sichern.

WARNUNG: das Geschirr und die Teller können bei Programmende sehr heiß sein.

SUPERSCHNELL - Dank der Superschnell-Option können Sie die Zeit abhängig von der Auswahl des Basisprogramms um bis zu 40 % verringern. Strom- und Wasserverbrauch werden erhöht.

STARTVORWAHL - Der Programmstart kann um eine Zeit von 0:30 bis 24 Stunden verzögert werden.

1. Das Programm und die gewünschten Optionen auswählen. Die STARTVORWAHL-Taste (mehrfach) drücken, um den Programmstart zu verzögern. Einstellbar von 0:30 bis 24 Stunden. Sobald die 24-Stunden-Einstellung erreicht ist, drücken Sie noch einmal STARTVORWAHL, um die STARTVORWAHL-Funktion zu deaktivieren.
2. Drücken Sie die Taste START/Pause-Taste und schließen Sie die Tür innerhalb von 4 Sekunden: die Zeitschaltuhr beginnt mit der Rückzählung.
3. Nach Ablauf dieser Zeit, schaltet sich das Anzeigelicht aus und das Programm beginnt automatisch.

Bei bereits in Gang gesetztem Programm ist eine STARTVORWAHL nicht mehr möglich.

WASSERHAHN ZU - Alarm - Blinkt, wenn kein Wasser einströmt oder wenn der Wasserhahn zu ist.

ZEIT AM BODEN - Ein auf den Boden projiziertes LED-Licht zeigt die bis zum Ende des Zyklus verbleibende Zeit an. Das Licht erlischt am Ende eines Programms. Diese Funktion ist standardmäßig aktiv, sie kann jedoch im „EINSTELLUNGSMENÜ“ deaktiviert werden.

NaturalDry - das ist ein Heißlufttrocknungssystem, das die Tür während/ nach der Trockenphase automatisch öffnet, um täglich hervorragende Trockenleistung sicherzustellen. Die Tür öffnet sich bei einer für Ihre Küchenmöbel sicheren Temperatur, daher wird die Tür nicht geöffnet, wenn die Option ANTIBAKTERIELLE SPÜLUNG eingeschaltet ist. Als zusätzlicher Dampfschutz wird dem Geschirrspüler eine speziell entwickelte Schutzfolie beigefügt.

Für die Montage der Schutzfolie siehe INSTALLATIONSANLEITUNG. Diese Funktion ist standardmäßig aktiviert, aber sie kann in «EINSTELLUNGSMENÜ» deaktiviert werden.

INNENBELEUCHTUNG - Wenn die Funktion aktiv ist, werden die LEDs im Innern des Geschirrspülers ein-/ausgeschaltet, sobald der Bediener die Tür öffnet bzw. schließt. Bleibt die Tür länger als 10 min offen, schalten sich die LEDs im Innern des Geschirrspülers aus (zum Wiedereinschalten muss die Tür geschlossen und erneut geöffnet werden). Diese Funktion ist standardmäßig aktiv, sie kann jedoch im „EINSTELLUNGSMENÜ“ deaktiviert werden.

ENTKALKEN - Alarm - Es wurden Kalkablagerungen auf Innenbauteilen des Geräts festgestellt. Prüfen Sie, ob die **Wasserhärteeinstellung** auf dem korrekten Wert und Salz im Salzbehälter vorhanden ist (siehe ERSTER GEBRAUCH). **Verwenden Sie dann ein Entkalkungsmittel** (die Marke WPro wird empfohlen) mit dem **Selbstreinigungsprogramm**. Nach einer erfolgreichen Entkalkung wird das Symbol nicht mehr angezeigt.

Falls oben genannte Maßnahmen nicht ausgeführt werden, verschlechtert sich die Produktleistung. Die «Entkalken» Warnung beginnt zu blinken und der «des» Alarm erscheint auf dem Display. Wird weiter nicht unternommen, gestattet das Gerät nur den Start einer bestimmten Anzahl von Zyklen (während der «des» Alarmanzeige angegeben) und wird dann **GESPERRT**, um eine Beschädigung von Bauteilen zu vermeiden. **Nur das Selbstreinigungsprogramm ist verfügbar.** Die Ausführung einer vollständigen Entkalkung hebt die Sperre des Produktes auf. Im Fall extrem großer Kalkmengen kann es erforderlich sein, das Entkalken zweimal auszuführen, damit es wirkt.

ERKENNUNG - Wenn der Sensor den Grad der Verschmutzung erfasst, wird im Display eine Animation angezeigt (etwa 20 Minuten) und die Programmdauer wird aktualisiert. Sensing (Erkennung) erkennt die Stärke der Verschmutzung des Geschirrs und passt das Programm entsprechend an. Es ist für alle Zyklen (ausgenommen Eco (Öko) verfügbar.

KÖRBE BELADEN

OBERSTER KORB

Der oberste Korb bietet einen gezielten Reinigungsbereich für Schalen, Tassen, sogar große Teller und Besteck, die Sie normalerweise in die unteren Körbe laden würden, und schafft zusätzlichen Platz für den Rest des täglichen Geschirrs.

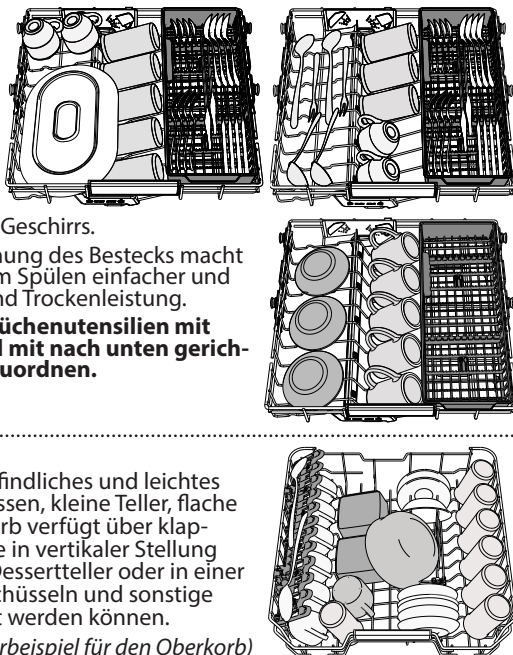
Eine getrennte Anordnung des Bestecks macht das Sortieren nach dem Spülen einfacher und verbessert die Spül- und Trockenleistung.

Messer und andere Küchenutensilien mit scharfen Spitzen sind mit nach unten gerichtet schneiden einzuordnen.

OBERKORB

Hier sortieren Sie empfindliches und leichtes Geschirr ein: Gläser, Tassen, kleine Teller, flache Schüsseln. Der Oberkorb verfügt über klappbare Halterungen, die in vertikaler Stellung für Untertassen oder Dessertteller oder in einer tieferen Stellung für Schüsseln und sonstige Behältnisse verwendet werden können.

Sortierbeispiel für den Oberkorb)



FASSUNGSVERMÖGEN: 14 Maßgedecke

Höheneinstellung des Oberkorbes

Der Oberkorb kann in der Höhe verstellt werden: stellen Sie ihn in die oberste Position, wenn Sie großes Geschirr in den Unterkorb einräumen wollen. Wenn Sie eher die klappbaren Bereiche nutzen wollen, dann stellen Sie ihn in die untere Position. Somit vermeiden Sie Zusammenstoßen mit dem Geschirr im Unterkorb.

Der Oberkorb ist mit einem **Oberkorb Höhenversteller** (siehe Abbildung) ausgestattet.

Ohne Drücken der Hebel kann er einfach durch Heben der Korbseiten angehoben werden, sobald der Korb stabil in seiner unteren Stellung ist.

Um den Korb zurück in die untere Stellung zu bringen, drücken Sie die Hebel **A** an den Seiten des Korbs und schieben Sie ihn nach unten.

Es empfiehlt sich, die Höhe des Oberkorbes bei leerem Korb zu regulieren. Heben oder senken Sie den Korb NIEMALS nur an einer Seite.

Klappbare Klappen mit verstellbarer position

Die seitlich, klappbaren Ablagen können ein- oder aufgeklappt werden, um die Anordnung des Geschirrs im Korb zu optimieren. Stielgläser können an den Ablagen stabilisiert werden, indem sie mit dem Stiel in die vorgesehene Aussparung gestellt werden.

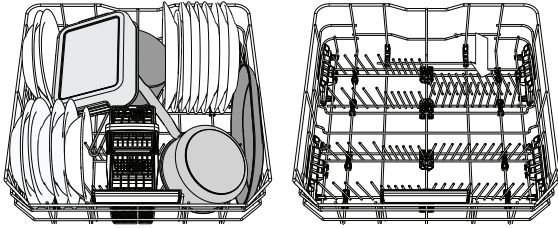
Je nach Modell:

- Zum Ausklappen der Ablagen, müssen diese nach oben geschoben und gedreht oder aus den Schnappern gelöst und nach unten gezogen werden.
- Zum Einklappen der Ablagen, müssen diese gedreht und nach unten geschoben oder nach oben gezogen und an den Schnappern befestigt werden.



UNTERKORB

Für Töpfe, Deckel, Teller, Salatschüsseln, Besteck usw. Große Teller und Deckel sollten idealerweise an die Seiten gelegt werden, um nicht mit dem Sprüharm in Kontakt zu kommen. Der Unterkorb verfügt über klappbare Ablagen, die in vertikaler Stellung für Teller oder in horizontaler (niedriger) Position für Pfannen und Salatschüsseln verwendet werden können.

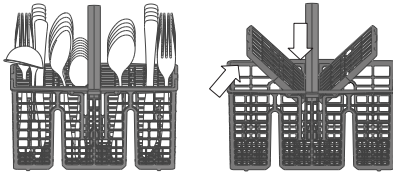


(Sortierbeispiel für den Unterkorb).

Besteckkorb

Er ist oben mit Gittern versehen, um das Besteck besser einzuordnen. Er darf nur im vorderen Teil des unteren Korbes eingesetzt werden.

Messer und andere Küchenutensilien mit scharfen Spitzen in den Besteckkorb einzuordnen oder waagrecht auf die Ablagen des oberen Geschirrkorbes zu legen.

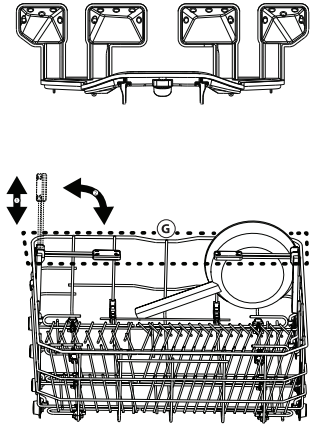


POWERCLEAN PRO

Bei PowerClean Pro sorgen spezielle Wasserdüsen hinten im Gerät für eine verstärkte Reinigung von stark verschmutztem Geschirr. Der Unterkorb hat eine Raumzone, eine spezielle Halterung zum Herausziehen an der Korbhinterseite, welche benutzt werden kann um Pfannen oder Backbleche in senkrechter Position zu halten, und so weniger Raum zu beanspruchen. Wenn die Töpfe/Bräter in Richtung PowerClean Pro eingelegt werden, bitte **POWERCLEAN PRO** auf der Bedienblende aktivieren.

Verwendung von PowerClean Pro:

1. Passen Sie PowerClean Pro-Bereich **G** an, indem Sie die hinteren Tellerhalterungen herunterklappen, um Töpfe einzuladen.
2. Laden Sie Töpfe und Bräter senkrecht im PowerClean Pro-Bereich ein. Die Töpfe müssen mit der offenen Seite zu den Power-Sprühdüsen gereigt sein.



PFLEGE UND WARTUNG

REINIGUNG DER FILTEREINHEIT

Die Filtereinheit regelmäßig reinigen, damit die Filter nicht verstopfen und das Abwasser korrekt abfließen kann.

Wenn die Filter beim Einsatz des Geschirrspülers verstopft sind oder falls Fremdkörper im Filtersystem oder in den Spülarmen gelangen, könnten Störungen im Gerät auftreten, was zu Leistungseinbußen, lautem Betrieb oder höherer Ressourcennutzung führt.

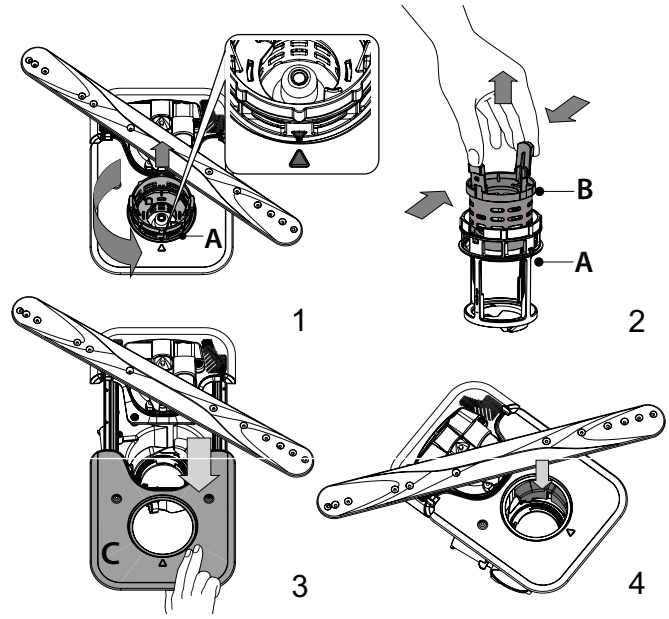
Die Filtereinheit setzt sich aus drei Filtern zusammen, die Spülwasser reinigen, von Speiseresten befreien und wieder in Umlauf bringen.

Der Geschirrspüler darf nie ohne Filtersiebe oder mit ausgehängten Filtern in Betrieb genommen werden.

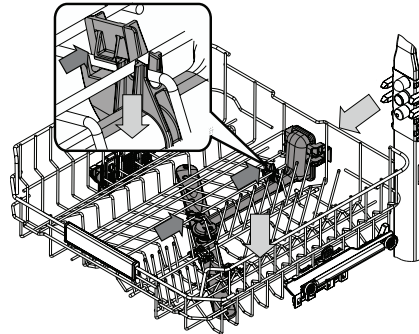
Kontrollieren Sie einmal monatlich oder nach 30 Zyklen die Filtersiebgruppe. Bei Bedarf ist diese sorgfältig unter laufendem Wasser auszuspülen. Nehmen Sie hierzu ein kleines Bürstchen (das nicht aus Metall sein darf) zu Hilfe. Gehen Sie wie folgt vor:

1. Drehen Sie das zylinderförmige Filtersieb **A** gegen den Uhrzeigersinn heraus (Abb. 1). **Beim Wiedereinbau des Filters müssen die beiden größer abgebildeten Dreiecke zueinander ausgerichtet sein.**
2. Ziehen Sie den Siebbecher **B** durch leichten Druck auf die seitlichen Flügel heraus (Abb. 2).
3. Nehmen Sie den Stahl-Siebteller **C** ab (Abb. 3).
4. Falls Sie Fremdkörper (wie Glasscherben, Porzellan, Knochen, Fruchtsamen usw.) finden, **entfernen Sie diese bitte sorgfältig.**
5. Kontrollieren Sie den Hohlraum und befreien Sie diesen von eventuellen Speiseresten. Das Spülpumpenschutzteil (siehe Pfeil) **NICHT ABGEMOMMEN WERDEN** (Abb 4).

Setzen Sie die Filtereinheit nach der Reinigung der Filtersiebe wieder korrekt in ihren Sitz ein, dies ist äußerst wichtig, um eine ordnungsgemäße Betriebsweise des Geschirrspülers zu gewährleisten.

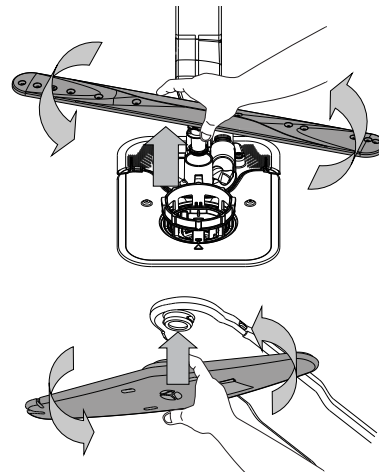


REINIGUNG DER SPRÜHARME



Es kann vorkommen, dass Speisereste an den Sprüharmen hängen bleiben und die Wasserdüsen verstopfen. Prüfen Sie die Sprüharme daher regelmäßig und reinigen Sie sie bei Bedarf mit einer Kunststoffbürste.

Zum Entfernen des oberen Sprüharms müssen sie diesen zusammen mit dem Anschlussstück entfernen.



Um den unteren Sprüharm abzunehmen, diesen nach oben ziehen und gegen den Uhrzeigersinn drehen. Der Sprüharm wird wieder eingebaut, indem er nach unten gezogen und im Uhrzeigersinn gedreht wird.

Um den oberen Sprüharm abzunehmen, diesen nach oben drücken und gegen den Uhrzeigersinn drehen. Der Sprüharm wird wieder eingebaut, indem er nach oben gezogen und im Uhrzeigersinn gedreht wird.

Der oberste Korb verfügt über eine befestigte Spüleleitung, bei der alle Spüldüsen nach oben weisen. Zum Reinigen können Sie den Korb herausziehen und mit einer Pinzette Gegenstände entfernen, die sich eventuell in den Düsen abgelagert haben.

LÖSEN VON PROBLEMEN

Falls Ihr Geschirrspüler nicht richtig funktioniert, versuchen Sie, das Problem anhand der folgenden Liste zu beheben. Für andere Fehler oder Probleme wenden Sie sich bitte an den autorisierten Kundendienst, dessen Kontaktdaten im Garantieheft aufgeführt sind. Ersatzteile werden für einen Zeitraum von entweder bis zu 7 oder bis zu 10 Jahren verfügbar sein, je nach den spezifischen Anforderungen der Verordnung.

STÖRUNGEN	MÖGLICHE URSACHEN	LÖSUNG
Regeneriersalzanzeige leuchtet	Der Salzbehälter ist fast leer.	Befüllen Sie den Behälter mit Salz (weitere Informationen – siehe <i>SALZBEHÄLTER BEFÜLLEN</i>). Prüfen Sie die bei Bedarf die Wasserhärteeinstellung (siehe <i>WASSERHÄRTE-TABELLE</i>).
Regeneriersalzanzeige blinkt	Salzbehälter ist leer.	Den Behälter sobald wie möglich mit Salz nachfüllen. Der Gebrauch des Geräts ohne Salz kann Schäden an seinen Innenbauteilen verursachen.
Klarspüleranzeige leuchtet auf oder blinkt	Klarspülbehälter ist leer. (Nach dem Auffüllen kann es kurze Zeit dauern, bis die Klarspüleranzeige erlischt).	Befüllen Sie den Behälter mit Klarspüler (weitere Informationen – siehe <i>KLARSPÜLERPENDER AUF-FÜLLEN</i>).
Entkalken-Anzeige leuchtet auf oder blinkt; der „dES“ Alarm wird angezeigt.	Kalk lagert sich an Innenbauteilen des Geräts ab.	Entkalken Sie das Gerät sofort mit dem Selbstreinigend-Programm und einem handelsüblichen Entkalkungsmittel (siehe <i>OPTIONEN UND FUNKTIONEN</i>). Befüllen Sie den Behälter mit Salz. Prüfen Sie die Wasserhärteeinstellung. Wird das Gerät nicht entkalkt, funktioniert es nicht mehr.
Die Spülmaschine startet nicht oder reagiert nicht auf die Bedienungseingaben.	Das Gerät wurde nicht richtig eingesteckt.	Schließen Sie den Netzstecker an.
	Stromausfall.	Aus Sicherheitsgründen wird der Geschirrspüler nicht automatisch neu gestartet, wenn die Stromversorgung wiederhergestellt wird. Öffnen Sie die Tür des Geschirrspülers, drücken Sie die Taste START/Pause und schließen Sie die Tür erneut innerhalb von 4 Sekunden.
	Die Gerätetür schließt nicht. NaturalDry Pin ist nicht eingezogen.	Drücken Sie die Tür energisch, bis ein „Klicklaut“ zu hören ist.
	Ein Spülgang wird unterbrochen, wenn die Tür mehr als 4 Sekunden lang geöffnet wird.	START/Pause drücken und die Tür innerhalb von 4 Sekunden schließen.
Der Geschirrspüler pumpt das Wasser nicht ab. Das Display zeigt: F7 E3 oder F9 E1	Im Filtersieb haben sich Speisereste oder Kalk angesammelt.	Reinigen Sie den Filter und entkalken Sie das Gerät (siehe <i>REINIGUNG DER FILTEREINHEIT und ENTKALKEN</i>).
	Ablaufschlauch ist geknickt.	Den Ablaufschlauch prüfen (siehe <i>INSTALLATIONSANWEISUNG</i>).
	Der Ablauf des Spülbeckens ist verstopft.	Den Ablauf des Spülbeckens reinigen.
Der Geschirrspüler ist zu laut.	Das Geschirr schlägt aneinander.	Positionieren Sie das Geschirr korrekt (siehe <i>KÖRBE BELADEN</i>).
	Es ist zu viel Schaum vorhanden.	Das Spülmittel wurde nicht richtig dosiert oder ist für Geschirrspüler ungeeignet (siehe <i>EINFÜLLEN DES SPÜLMITTELS</i>). Starten Sie das laufende Programm durch Ausschalten des Geschirrspülers neu. Schalten Sie das Gerät wieder ein, wählen Sie ein neues Programm, drücken Sie START/Pause und schließen Sie die Tür innerhalb von 4 Sekunden. Kein Spülmittel zufügen.
	Das Geschirr wurde nicht korrekt eingeräumt.	Positionieren Sie das Geschirr korrekt (siehe <i>KÖRBE BELADEN</i>).
	Im Filtersieb haben sich Speisereste oder Kalk angesammelt.	Die Filtereinheit reinigen (siehe <i>PFLEGE UND WARTUNG</i>).
Das Geschirr ist nicht sauber geworden.	Das Geschirr wurde nicht korrekt eingeräumt.	Positionieren Sie das Geschirr korrekt (siehe <i>KÖRBE BELADEN</i>).
	Sprüharme können nicht frei drehen, werden durch das Geschirr blockiert.	Positionieren Sie das Geschirr korrekt (siehe <i>KÖRBE BELADEN</i>). Prüfen, dass der obere Korb in der richtigen Position ist und bei Bedarf einstellen (anheben).
	Das Spülprogramm ist zu schwach.	Ein geeignetes Spülprogramm wählen (siehe <i>PROGRAMMTABELLE</i>).
	Es ist zu viel Schaum vorhanden.	Das Spülmittel wurde nicht richtig dosiert oder ist für Geschirrspüler ungeeignet (siehe <i>EINFÜLLEN DES SPÜLMITTELS</i>).
	Der Stöpsel des Klarspülerbehälters wurde nicht korrekt geschlossen.	Sicherstellen, dass der Stöpsel des Klarspülerbehälters geschlossen ist.
	Im Filtersieb haben sich Speisereste oder Kalk angesammelt.	Den Filter reinigen und das Gerät entkalken (siehe <i>REINIGUNG DER FILTEREINHEIT</i>).
Der Geschirrspüler lädt kein Wasser. Am Display erscheint: H20 und \emptyset leuchtet; ein akustischer Alarm ertönt.	Kein Wasser im Wassernetz oder zugezogener Wasserhahn.	Sicherstellen, dass Wasser im Wassernetz ist und der Wasserhahn offen ist.
	Der Wasserzulaufschlauch ist geknickt.	Den Zulaufschlauch prüfen (siehe <i>INSTALLATION</i>). Öffnen Sie die Tür des Geschirrspülers, drücken Sie die Taste START/Pause und schließen Sie die Tür erneut innerhalb von 4 Sekunden.
	Das Sieb im Wasserzulaufschlauch ist verstopft. Es muss gereinigt werden.	Das Sieb im Wasserzulaufschlauch kontrollieren und reinigen. Öffnen Sie die Tür des Geschirrspülers, drücken Sie die Taste START/Pause und schließen Sie die Tür erneut innerhalb von 4 Sekunden.
Der Geschirrspüler beendet das Programm vorzeitig. Am Display erscheint: F8 E3	Im Filtersieb haben sich Speisereste oder Kalk angesammelt.	Reinigen Sie den Filter und entkalken Sie das Gerät (siehe <i>REINIGUNG DER FILTEREINHEIT und ENTKALKEN</i>).
	Ablaufschlauch zu niedrig positioniert oder Siphonwirkung in die Hauskanalisation.	Prüfen, ob das Ende des Ablaufschlauchs auf der richtigen Höhe positioniert ist (siehe <i>INSTALLATION</i>). Prüfen, ob eine Siphonwirkung in die Hauskanalisation vorliegt, installieren Sie bei Bedarf einen Vakuumbrecher/ein Belüftungsventil.
	Es ist zu viel Schaum vorhanden.	Das Spülmittel wurde nicht richtig dosiert oder ist für Geschirrspüler ungeeignet (siehe <i>EINFÜLLEN DES SPÜLMITTELS</i>).
	Luft im Wasserzulauf.	Wasserzulauf auf Lecks oder sonstige Störungen mit Lufteintritt prüfen.

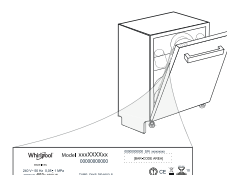
STÖRUNGEN	MÖGLICHE URSACHEN	LÖSUNG
Das Geschirr ist nicht gut getrocknet.	Kein Klarspüler vorhanden oder die Dosierung ist zu niedrig.	Stellen Sie sicher, dass der Klarspülerspender gefüllt ist (<i>siehe KLARSPÜLERSPENDER AUFFÜLLEN</i>). Die Verwendung von multifunktionalen Tabs allein liefert nicht so gute Trocknungsergebnisse wie die Verwendung von flüssigem Klarspüler.
	Das Geschirr wurde ausgeräumt, nachdem die Tür automatisch geöffnet wurde, jedoch vor dem tatsächlichen Programmende.	Stellen Sie sicher, dass das Programm beendet wurde, bevor Sie das Geschirr ausräumen (<i>siehe TÄGLICHER GEBRAUCH</i>). Für noch bessere Trocknungsergebnisse wird empfohlen, das Geschirr bei geöffneter Tür weitere 15 Minuten nach Programmende im Geschirrspüler zu lassen.
	Das Geschirr sitzt zu flach.	Wenn Sie Wasserpfützen in Hohlräumen von Tassen, Bechern oder Schüsseln beobachten, versuchen Sie das Geschirr (insbesondere im oberen Korb) mit mehr Neigung zu laden. Damit kann mehr Wasser abtropfen, bevor das Trocknen beginnt.
	Das gewählte Programm hat keinen Trockengang.	Bitte prüfen Sie in der <i>PROGRAMMTABELLE</i> , ob das ausgewählte Programm einen Trockengang vorsieht. Programme ohne Trockengang können nicht das gewünschte Trocknungsergebnis bringen. Es wird daher empfohlen, die Programmauswahl auf ein Programm zu ändern, das über einen Trockengang verfügt.
	Das Geschirr besteht aus Antihafmaterial oder aus Kunststoff.	Einige auf dieser Art von Material verbleibende Wassertropfen sind normal.
Geschirr und Gläser haben blaue Schlieren oder bläuliche Schattierungen.	Klarspüler wurde zu hoch dosiert.	Dosierung niedriger einstellen.
Geschirr und Gläser sind mit Kalkablagerungen oder einem weißen Belag bedeckt.	Salzbehälter ist leer.	Den Behälter sobald wie möglich mit Salz nachfüllen. Der Gebrauch des Geräts ohne Salz kann Schäden an seinen Innenbauteilen verursachen.
	Die Wasserhärteeinstellung ist zu niedrig.	Die Einstellung erhöhen (<i>siehe WASSERHÄRTETABELLE</i>).
	Der Deckel des Salzbehälters ist nicht richtig geschlossen.	Salzbehälterdeckel prüfen und verschließen.
	Der Klarspülerbehälter ist leer oder die Klarspülerdosierung ist unzureichend.	Befüllen Sie den Behälter mit Klarspüler und prüfen Sie die Dosierungseinstellung (weitere Informationen - <i>siehe KLARSPÜLERSPENDER AUFFÜLLEN</i>).
Geschirrspüler zeigt F8 E5 an	Ventil ist blockiert oder fehlerhaft.	Den Wasserhahn schließen, sofern möglich. Schalten Sie die Stromversorgung nicht aus. Kundendienst kontaktieren.



Firmenrichtlinien, Standarddokumentation, Ersatzteilbestellung und zusätzliche Produktinformationen finden Sie unter:

- Verwenden Sie den QR-Code und besuchen Sie unsere Internetseite **docs.bauknecht.eu**
- Besuchen Sie unsere Internetseite: **parts-selfservice.whirlpool.com**
- Alternativ können Sie **unseren Kundendienst kontaktieren** (Siehe Telefonnummer in dem Garantieheft).
Wird unser Kundendienst kontaktiert, bitte die Codes auf dem Typenschild des Produkts angeben.

Die Modellinformation ist über den QR-Code auf der Energieverbrauchskennzeichnung aufrufbar. Die Kennzeichnung enthält auch die Modellnummer, die den Zugang zum Verzeichnisportal unter <https://eprel.ec.europa.eu> ermöglicht.





MERCI D'AVOIR CHOISI UN PRODUIT BAUKNECHT.
Afin de recevoir une assistance plus complète, merci d'enregistrer votre appareil sur: www.bauknecht.eu/register

Avant d'utiliser l'appareil, il convient de lire attentivement les consignes de sécurité et d'installation. Pour en savoir plus concernant votre produit, consulter le site Internet : docs.bauknecht.eu



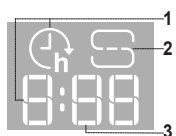
Après l'installation, rappelez-vous d'enlever toutes les pièces de protection pour le transport du lave-vaisselle.

PANNEAU DE COMMANDE



1. Touche et voyant **MARCHE-ARRÊT/Réinitialisation**
2. Touche et voyant de **programme Éco**
3. Touche et voyant de **programme Intensif Auto**
4. Touche et voyant de **programme Mixte Auto**
5. Touche et voyant de **programme Rapide Auto**
6. Touche et voyant de **programme Rapide**
7. Touche et voyant de **programme Cristal / Programme Autonettoyant** - pression de 3 secondes
8. Touche et voyant de **programme Prélavage**
9. Témoin de réservoir **de sel** vide
10. Témoin de réservoir **de liquide** de rinçage vide
11. **Écran**
12. Indicateur **de numéro de programme et de temps restant**
13. Voyant **Robinet d'eau fermé**
14. Témoin **DÉTARTRAGE**
15. Touche et voyant de **l'option PowerClean Pro**
16. Touche et voyant **d'option Demi-charge**
17. Touche et voyant **d'option Extra Sec/Réglages** - pression de 3 secondes
18. Touche et voyant **d'option Silencieux**
19. Touche et voyant **d'option Rinçage Antibactérien**
20. Touche et voyant **d'option Turbo**
21. Touche et voyant **d'option Départ Différé**
22. Touche et voyant **DÉPART/Pause**

AFFICHAGE AU SOL

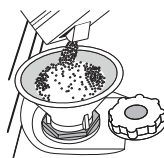


1. **Départ différé** - lorsque l'option Départ différé est activée, un compte à rebours est visible au sol jusqu'au démarrage du cycle
2. **Réservoir de sel vide** - témoin au sol
3. **Temps restant au sol** - indicateur du temps restant jusqu'à la fin du cycle

PREMIÈRE UTILISATION

MENU DE RÉGLAGE

1. Allumer l'appareil en appuyant sur la touche **MARCHE-ARRÊT** (1).
2. Maintenir la touche **Réglages** (3) (Extra Sec (3)) pendant 3 secondes jusqu'à ce que vous entendiez un bip et que l'écran affiche « **SEt** ».
3. Après une seconde, le premier réglage disponible (lettre « **h** ») s'affichera.
4. Appuyer sur la **programme Prélavage** (8) / **option PowerClean Pro** (15) pour faire défiler la liste des réglages disponibles (voir tableau ci-dessous), puis appuyer sur **DÉPART/Pause** (22) pour visualiser la valeur du réglage actuellement sélectionné.
5. Appuyer sur la **programme Prélavage** (8) / **option PowerClean Pro** (15) pour modifier la valeur, puis appuyer sur **DÉPART/Pause** (22) pour enregistrer la nouvelle valeur.
6. Pour changer un autre réglage, répéter les points 2 à 5.
7. Appuyer sur **MARCHE-ARRÊT** (1), ou attendre 30 secondes pour quitter le menu.



1. Enlevez le panier inférieur et dévissez le bouchon du réservoir (sens antihoraire).
 2. Placez l'entonnoir (voir figure) et remplissez le réservoir de sel jusqu'au bord (environ 0,5 kg); il est normal qu'un peu d'eau déborde.
 3. **La première fois uniquement, vous devez effectuer l'opération suivante: remplissez d'eau le réservoir à sel.**
 4. Enlevez l'entonnoir et essuyez les résidus de sel autour de l'ouverture. Assurez-vous que le bouchon est bien serré pour éviter que du détergent pénètre dans le réservoir durant le cycle de lavage (le réservoir pourrait s'endommager au point de ne plus être réparable).
- Exécuter un programme dès que vous complétez le remplissage du réservoir de sel afin d'éviter la corrosion.**

Régler la dureté de l'eau

Pour que l'adoucisseur d'eau fonctionne à la perfection, il est important de régler la dureté de l'eau aux conditions existantes dans votre lieu de résidence. Cette information peut être obtenue de votre fournisseur d'eau local. L'usine règle la valeur par défaut de la dureté de l'eau. Le réglage d'usine est de « **3** ». Voir « **TABLEAU DE DURETÉ DE L'EAU** ».

Tableau de dureté de l'eau

Niveau	°dH		
	Degrés allemand	°fH Degrés français	°Clark Degrés anglais
1 (Très douce)	0 - 6	0 - 10	0 - 7
2 (Moyenne)	7 - 11	11 - 20	8 - 14
3 (Douce)	12 - 16	21 - 29	15 - 20
4 (Dure)	17 - 34	30 - 60	21 - 42
5 (Très dure)	35 - 50	61 - 90	43 - 62

Pour changer, suivez les instructions de la section « **MENU DE RÉGLAGE** ». **Utilisez seulement le sel spécialement conçu pour les lave-vaisselle.** Lorsque le sel est versé dans l'appareil, le voyant AJOUTER DU SEL s'éteint. **Si le contenant de sel n'est pas rempli, l'adoucisseur et l'élément chauffant peuvent être endommagés à cause de l'accumulation de calcaire. L'utilisation de sel est recommandée avec n'importe quel type de sel pour lave-vaisselle.**

SYSTÈME ADOUCISSEUR D'EAU

L'adoucisseur d'eau réduit automatiquement la dureté de l'eau, en empêchant ainsi la formation de calcaire sur la résistance, et en contribuant également à une meilleure performance de nettoyage.

Ce système se régénère avec du sel, il est donc nécessaire de remplir le bac de sel lorsqu'il est vide.

La fréquence de régénération dépend du réglage du niveau de dureté de l'eau - la régénération a lieu une fois tous les **4-6** cycles Eco avec un niveau de dureté de l'eau réglé à **3**.

Le processus de régénération a lieu en fin de cycle pendant que le lave-vaisselle est à l'arrêt. Au début de cycle suivant, le rinçage des résines permet d'évacuer tout le calcaire précipité et le saumur résiduel.

- Une régénération simple consomme : ~3 L d'eau ;
- Prend jusqu'à 5 minutes supplémentaires pour le cycle ;
- Consomme moins de 0,005 kWh d'énergie.

LETTRE	RÉGLAGE	VALEURS (Par défaut - en gras)
h	Niveau de dureté de l'eau (voir « RÉGLER LA DURETÉ DE L'EAU » et « TABLEAU DE DURETÉ DE L'EAU »)	1 2 3 4 5
l	Niveau de liquide de rinçage (voir « AJUSTER LE DOSAGE DU LIQUIDE DE RINÇAGE »)	0 1 2 3 4 5
o	NaturalDry (voir « OPTIONS ET FONCTIONS ») "1" = Oui, "0" = Non	1 0
r	Temps restant au sol (voir « OPTIONS ET FONCTIONS ») "1" = Oui, "0" = Non	1 0
s	Sonnerie "1" = Oui, "0" = Non	1 0
t	Éclairage intérieur (voir « OPTIONS ET FONCTIONS ») "1" = Oui, "0" = Non	1 0
-	Réglages d'usine Appuyer sur DÉPART/Pause pour rétablir aux réglages par défaut d'usine toutes les valeurs des réglages incluses dans le menu Réglages.	-


REMPILIR LE RÉSERVOIR DE SEL RÉGÉNÉRANT

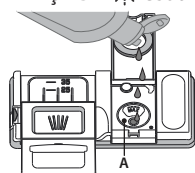
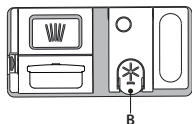
L'utilisation de sel régénérant empêche la formation de CALCAIRE sur la vaisselle et sur les composantes fonctionnelles de l'appareil.

Le réservoir de sel est situé dans la partie inférieure du lave-vaisselle (sous le panier inférieur sur le côté gauche).

- Le réservoir de sel **ne doit jamais être vide.**
- Il est important de régler la dureté de l'eau.
- Il convient de faire l'appoint de sel lorsque le voyant **REMPLESSAGE SEL** est allumé sur le panneau de commande.

REPLIR LE DISTRIBUTEUR DE LIQUIDE DE RINÇAGE

Le liquide de rinçage permet à la vaisselle de SÉCHER plus facilement. Le distributeur de liquide de rinçage **A** devrait être rempli lorsque le voyant de NIVEAU DE LIQUIDE DE RINÇAGE  est allumé à l'écran.



1. Ouvrez le distributeur **B** en appuyant et en tirant sur l'onglet sur le couvercle.
2. Versez doucement du liquide de rinçage jusqu'à la marque de référence (110 ml) du réservoir de remplissage - évitez les débordements. Si cela se produit, nettoyez les dégâts immédiatement avec un linge sec.

3. Appuyez sur le bouchon pour le fermer; un clic se fait entendre.

Ne JAMAIS verser le liquide de rinçage directement dans la cuve.

Ajuster le dosage du liquide de rinçage

Si vous n'êtes pas complètement satisfait avec le séchage, vous pouvez ajuster la quantité de liquide de rinçage utilisée.

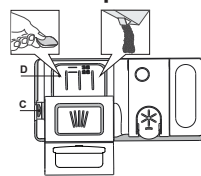
Pour changer, suivre les instructions dans la section « MENU DE RÉGLAGE ». Si le niveau de liquide de rinçage est à ZÉRO, il n'y aura pas de liquide de rinçage distribué. Dans ce cas, le voyant LIQUIDE DE RINÇAGE BAS ne s'allumera pas s'il ne reste plus de liquide de rinçage.

Un maximum de 6 niveaux peuvent être réglés selon le modèle du lave-vaisselle.

- Si vous observez des traces bleuâtres sur la vaisselle, placez sur un niveau plus bas (1-2).
- Si vous observez des gouttelettes d'eau ou des traces de calcaire sur la vaisselle, placez sur un niveau plus haut (4-5).

REPLIR LE DISTRIBUTEUR DE DÉTERGENT

Pour ouvrir le distributeur de détergent, utilisez le dispositif d'ouverture **C**. Insérez le détergent dans le distributeur sec **D** seulement. Placez la quantité de détergent pour le pré-lavage directement dans la cuve.



1. Lorsque vous dosez le détergent, consultez les informations mentionnées précédemment pour ajuster la quantité correcte. À l'intérieur du distributeur **D** se trouvent des indications pour aider au dosage de la lessive.
2. Enlevez les résidus de détergent sur le bord des récipients avant de fermer le couvercle; un clic se fait entendre.

3. Fermez le couvercle du distributeur de détergent en le tirant vers le haut jusqu'à ce que le dispositif soit fermement en place.

Le distributeur de détergent s'ouvre automatiquement, au moment déterminé par le programme.

L'utilisation d'un détergent non-conçu pour les lave-vaisselle peut provoquer un dysfonctionnement ou des dommages à l'appareil.

UTILISATION QUOTIDIENNE

1. VÉRIFIER LE BRANCHEMENT DE L'EAU

Assurez-vous que l'appareil est raccordé à un réseau d'alimentation et que le robinet de l'eau est ouvert.

2. ALLUMER LE LAVE-VAISSELLE

Ouvrez la porte et appuyez sur la touche **MARCHE-ARRÊT**.

3. CHARGER LES PANIERS (voir CHARGEMENT DES PANIERS).

4. REPLIR LE DISTRIBUTEUR DE DÉTERGENT

5. CHOISIR LE PROGRAMME ET PERSONNALISER LE CYCLE

Sélectionnez le meilleur programme selon le type de vaisselle et le niveau de saleté (voir DESCRIPTION DES PROGRAMMES) en appuyant sur la touche **PROGRAMME** sélectionnée. Sélectionnez les options désirées (voir OPTIONS ET FONCTIONS). Toutes les options ne sont pas compatibles avec tous les programmes.

6. DÉMARRER

Démarrez le cycle de lavage en appuyant sur la touche **DÉPART/Pause** (le voyant est allumé) et en fermant la porte dans les 4 secondes. Quand le programme démarre, vous entendez un bip simple. Si la porte n'a pas été fermée dans les 4 secondes, le signal d'alarme est activé. Dans ce cas, ouvrez la porte, appuyez sur la touche **DÉPART/Pause** et fermez de nouveau la porte dans les 4 sec.

7. FIN DU CYCLE DE LAVAGE

La fin du programme de lavage est indiquée par un son et l'écran affiche **END (FIN)**. Ouvrez la porte et éteignez l'appareil en appuyant sur la touche **MARCHE-ARRÊT**.

Pour éviter de vous brûler, attendez quelques minutes avant de retirer la vaisselle. Déchargez les paniers en commençant par le panier inférieur.

MODIFICATION D'UN PROGRAMME EN COURS

Si vous avez sélectionné le mauvais programme, vous pouvez le changer, à condition que ce soit fait au tout début du cycle. Pour cela, effectuez une **RÉINITIALISATION** de la machine: appuyez sur la touche **MARCHE-ARRÊT** et maintenez-la appuyée pendant plus de 3 secondes, et la machine s'éteindra. Le tableau de commande affichera « 0:01 ». Fermez la porte et attendez la fin du cycle de vidange (environ 1 minute). Ouvrez la porte et rallumez la machine en utilisant le bouton **MARCHE-ARRÊT** et sélectionnez le nouveau programme de lavage et les éventuelles options souhaitées. Démarrer le cycle en appuyant sur la touche **DÉPART/Pause** et en fermant la porte dans les 4 secondes.

AJOUT DE VAISSELLE SUPPLÉMENTAIRE

Sans couper la machine, ouvrez la porte tout d'abord légèrement pour éviter que l'eau n'éclabousse (Le voyant **DÉPART/Pause** commence à clignoter) **Attention : vapeur chaude.** Placer la vaisselle dans le lave-vaisselle. Appuyez sur la touche **DÉPART/Pause** et fermez la porte dans les 4 sec, le cycle reprendra à l'endroit où il a été interrompu.

INTERRUPTIONS ACCIDENTELLES

Si la porte est ouverte durant le cycle de lavage, ou s'il y a une panne de courant, le cycle s'interrompt. Fermez la porte et le cycle reprendra au moment où il a été interrompu **UNIQUEMENT SI VOUS APPUYEZ** sur la touche **DÉPART/Pause** et fermez la porte dans les 4 secondes.

AVIS ET CONSEILS

CONSEILS

Avant de charger les paniers, enlevez tous les résidus de nourriture sur la vaisselle et videz les verres. **Vous n'avez pas besoin de rincer la vaisselle avant de la placer dans le lave-vaisselle.**

Placez la vaisselle pour qu'elle tienne bien en place et ne risque pas de tomber; et placez les récipients avec les ouvertures vers le bas et les parties concaves/convexes de côté pour permettre à l'eau d'atteindre toutes les surfaces et couler librement.

Avertissement : Vérifiez que les couvercles, poignées et poêle à frire n'empêchent pas les bras d'aspersion de tourner librement. Placez les petits articles dans le panier à couvert. La vaisselle et les casseroles très sales devraient être placées sur le panier inférieur car les jets d'eau sont plus forts dans cette section et permet un meilleur rendement lors du lavage. Après avoir chargé l'appareil, assurez-vous que les bras d'aspersion peuvent bouger librement.

VAISSELLE QUI NE CONVIENT PAS

- Vaisselle et couverts en bois.
- Verres décoratifs délicats, produits artisanaux, et vaisselle antique. Les garnitures ne sont pas résistantes.
- Les pièces en matériel synthétique qui ne supportent pas les hautes températures.
- La vaisselle en cuivre ou en étain.
- La vaisselle tachée de cendre, de cire, de graisse lubrifiante, ou d'encre. Les couleurs des garnitures de verre et des pièces d'aluminium/argent peuvent changer et ternir durant le cycle de lavage. Certains types de verre (p. ex. les objets en cristal) peuvent aussi devenir opaque après plusieurs cycles de lavage.

VERRES ET VAISSELLE ENDOMMAGÉS

- Seulement utiliser des verres ou de la porcelaine qui sont lavables au lave-vaisselle conformément aux recommandations du fabricant.
- Utilisez un détergent doux, adéquat pour la vaisselle.
- Retirez les verres et les couverts du lave-vaisselle aussitôt que le cycle de lavage est terminé.

HYGIÈNE

Pour éviter les odeurs et les dépôts qui pourraient s'accumuler dans le lave-vaisselle, **lancer le programme Autonettoyant** (sans vaisselle à l'intérieur) **au moins une fois par mois** (voir **OPTIONS ET FONCTIONS**).

RÉSISTANCE AU GEL

Si l'appareil est installé dans une pièce exposée au risque de gel, **vidangez-le complètement**. Fermez la valve d'eau, retirez les tuyaux d'arrivée et de vidange, puis laissez l'eau s'écouler. **Assurez-vous que l'adoucisseur d'eau est plein de sel régénérant dissous dans le réservoir de sel**, pour protéger l'appareil des températures pouvant aller jusqu'à -20°C. Si l'appareil a été conservé dans des conditions de gel, il doit rester à une température ambiante de 5°C minimum pendant **au moins 24 heures** avant la première utilisation.

ASTUCES SUR L'ÉCONOMIE D'ÉNERGIE

- Lorsque le lave-vaisselle domestique est utilisé conformément aux instructions du fabricant, **le lavage de la vaisselle dans un lave-vaisselle consomme habituellement MOINS D'ÉNERGIE et d'eau que le lavage à la main**.
- Afin d'optimiser l'efficacité du lave-vaisselle, il est recommandé de **débuter le cycle de lavage une fois que le lave-vaisselle est totalement chargé**. Le chargement du lave-vaisselle domestique jusqu'à la capacité indiquée par le fabricant contribuera à économiser de l'énergie et de l'eau. Vous trouverez des informations sur le chargement correct de la vaisselle dans le chapitre CHARGEMENT DES PANIERS.
- En cas de chargement partiel, il est recommandé d'utiliser des options de lavage spécifiques si elles sont disponibles (Demi-charge / Zone Wash/ Multizone), en remplissant uniquement les paniers sélectionnés. Un chargement incorrect ou une surcharge du lave-vaisselle peut augmenter l'utilisation des ressources (telles que l'eau, l'énergie et le temps, et augmenter le niveau de bruit), en réduisant les performances de nettoyage et de séchage.
- Un prérinçage manuel des éléments de vaisselle provoque une augmentation de la consommation d'eau et d'énergie et n'est pas recommandé.

TABLEAU DES PROGRAMMES

Programme	Description des programmes	Séchage NaturalDry	Options disponibles *)	Durée du programme de lavage (h:min) ^{**)}	Consommation d'eau (l/cycle)	Consommation d'énergie (kWh/cycle)	
Eco	Éco 50° - Le programme Eco est adapté pour nettoyer la vaisselle normalement sale. Pour cette utilisation, c'est le programme qui a une consommation d'eau et d'énergie la plus optimale. Il est utilisé pour évaluer la conformité à la législation européenne en matière d'éco-conception.	✓	✓		4:00	9,5	0,64
	Intensif Auto 65° - Programme automatique pour la vaisselle et les casseroles très sales.	✓	✓		2:25-3:10	15,5-24,5	1,30-1,70
	Mixte Auto 55° - Programme automatique pour de la vaisselle normalement sale avec des résidus d'aliments séchés.	✓	✓		1:20-3:00	7,5-19,5	0,75-1,20
	Rapide Auto 50° - Programme automatique pour de la vaisselle normalement et légèrement sale. Le cycle quotidien qui assure un nettoyage optimal et des performances de séchage en moins de temps.	✓	✓		1:00-1:50	7,5-15,5	0,70-1,10
	Rapide 45° - Ce programme est recommandé pour une quantité limitée de vaisselle légèrement sale sans résidus d'aliments séchés. N'inclut pas de phase de séchage.	-	✓		0:30-0:40	10-12	0,55-0,65
	Cristal 45° - Programme pour la vaisselle délicate, plus sensible aux températures élevées, comme les verres et les tasses.	✓	✓		1:40-1:50	12,5-16,5	0,95-1,20
	Prélavage - Utilisez ce programme pour rafraîchir la vaisselle qui sera lavée plus tard. N'utilisez pas de détergent avec ce programme.	-	✓		0:12	4,5	0,10
	Autonettoyant 65° - Programme à utiliser pour effectuer l'entretien du lave-vaisselle, à réaliser uniquement lorsque le lave-vaisselle est VIDE en utilisant des détergents spécifiques conçus pour l'entretien du lave-vaisselle.	-	-		1:15	11,0	1,10

Les données du programme Éco sont mesurées sous des conditions en laboratoire conformément à la norme européenne EN 60436:2020.

Note pour les laboratoires d'essai : pour toutes informations sur les conditions d'essai comparatif EN, s'adresser à: dw_test_support@whirlpool.com.

Aucun prétraitement de la vaisselle n'est nécessaire avant l'un quelconque des programmes.

*) Les options ne peuvent pas toutes être utilisées en même temps.

**) Les valeurs indiquées pour des programmes différents du programme Éco sont fournies à titre indicatif uniquement. Le temps réel peut varier selon des facteurs comme la température et la pression de l'eau, la température de la pièce, la quantité de détergent, la quantité et le type de vaisselle, l'équilibre de la charge, les options supplémentaires sélectionnées, et la calibration du capteur. La calibration du capteur peut augmenter la durée du programme jusqu'à 20 minutes.

OPTIONS ET FONCTIONS

Les **OPTIONS** peuvent être sélectionnées/désélectionnées, après avoir choisi le programme, directement en appuyant sur la touche correspondante (si disponibles - les témoins s'allument) (voir le PANNEAU DE COMMANDE). Si une option n'est pas compatible avec le programme sélectionné (voir TABLEAU DES PROGRAMMES), le voyant correspondant clignote 3 fois et un bip se fait entendre. La fonction n'est pas activée. Une option peut changer le temps ou la consommation d'eau ou d'énergie du programme.

POWERCLEAN PRO - Grâce aux jets haute pression supplémentaires, cette option fournit un lavage plus intensif et puissant dans le panier inférieur, dans la zone spécifique. Elle est recommandée pour le lavage des poêles et des casseroles (Voir la section de chargement PowerClean Pro).

DEMI-CHARGE - S'il n'y a pas trop de vaisselle à laver, une option DEMI-CHARGE est utilisée pour économiser de l'eau, de l'électricité et du temps en fonction du programme choisi.

Appelez-vous de diminuer de moitié la quantité de détergent.

EXTRA SEC - Une température supérieure pendant le rinçage final et une phase de séchage prolongée permettent un séchage amélioré. L'option EXTRA SEC prolonge le cycle de lavage.

SILENCIEUX - Adéquat lorsque l'appareil fonctionne la nuit. Cette option peut être utilisée pour limiter les émissions de bruit pendant les phases de lavage. Elle augmentera la durée du cycle en fonction de la sélection du cycle de base.

RINÇAGE ANTIBACTÉRIEN - Cette option peut être utilisée pour assainir la vaisselle lavée. Cela augmentera la température de rinçage finale et ajoutera un lavage anti-bactérien au programme sélectionné. Idéal pour laver la vaisselle et les biberons. La porte du lave-vaisselle doit être fermée tout au long du cycle pour garantir que la quantité de germes est bien diminuée. **AVERTISSEMENT : la vaisselle et les plats peuvent être très chaud à la fin du cycle.**

TURBO - Grâce à l'option TURBO, vous pouvez réduire le temps du cycle de lavage jusqu'à 40% en fonction du programme de base sélectionné. La consommation d'énergie et d'eau est augmentée.

DÉPART DIFFÉRÉ - Le début du programme peut être différé entre 30 minutes et 24 heures.

1. Sélectionnez le programme et les options souhaités. Appuyez sur la touche DÉPART DIFFÉRÉ (plusieurs fois) pour retarder le début du programme. Réglable de 0:30 à 24 heures. Une fois que le réglage de 24 heures est atteint, appuyer encore une fois sur DÉPART DIFFÉRÉ pour désactiver la fonction DÉPART DIFFÉRÉ.
2. Appuyez sur le touche DÉPART/Pause et fermez la porte dans un délai de 4 sec.: la minuterie commence le compte à rebours.
3. Une fois le temps écoulé, le voyant s'éteint et le programme démarre automatiquement.

La fonction DÉPART DIFFÉRÉ ne peut pas être modifiée lorsque le programme est en cours.

ROBINET D'EAU FERMÉ - Alarme
Clignote lorsqu'il n'y a pas d'arrivée d'eau ou que le robinet d'eau est fermé.

TEMPS RESTANT AU SOL - Un témoin à LED projeté sur le sol indique le temps restant jusqu'à la fin du cycle. Le voyant s'éteint à la fin d'un cycle. Cette fonction est active par défaut, mais il est possible de la désactiver dans le « MENU DE RÉGLAGE ».

NaturalDry - C'est un système de séchage à convection qui ouvre automatiquement la porte pendant/après la phase de séchage pour assurer une performance de séchage exceptionnelle chaque jour. La porte s'ouvre à la température qui est sûre pour les meubles de votre cuisine, donc la porte ne sera pas ouverte quand l'option RINÇAGE ANTIBACTÉRIEN sera activée.

A titre de protection supplémentaire contre la vapeur, un adhésif anti-vapeur spécifiquement conçu est livré avec le lave-vaisselle. Pour voir comment poser cet adhésif, consulter le GUIDE D'INSTALLATION.

Cette fonction est active par défaut, mais il est possible de la désactiver dans le « MENU DE RÉGLAGE ».

ÉCLAIRAGES INTÉRIEURS - Lorsque la fonction est active, les LED dans le bac sont automatiquement allumées/éteintes dès que l'utilisateur ouvre/ferme la porte, respectivement. Si la porte reste ouverte pendant plus de 10 minutes, les LED dans le bac s'éteignent pour se rallumer dès que la porte est de nouveau fermée et ouverte).

Cette fonction est active par défaut, mais il est possible de la désactiver dans le « MENU DE RÉGLAGE ».

DÉTARTRAGE - Alarme - Une accumulation de tartre a été détectée sur des composants internes de l'appareil. Vérifier si le **Réglage de Dureté** de l'eau est à la valeur correcte et si **du sel est présent dans le réservoir de sel** (voir PREMIÈRE UTILISATION), puis **utiliser un produit détartrant** (la marque WPro est recommandée) avec le **programme Autonettoyant**. Après un détartrage réussi, l'icône s'éteindra.

Si les actions ci-dessus ne sont pas réalisées, les performances du produit se détérioreront. Un avertissement de « Détartrage » commencera à clignoter et une alarme « **DES** » apparaîtra sur l'écran. Si aucune action n'est entreprise, l'appareil pourra encore effectuer quelques cycles de lavage (nombre indiqué pendant l'affichage de l'alarme « **DES** ») puis il sera **BLOQUÉ** pour éviter les dommages aux composants, avec seulement le **programme Autonettoyant disponible**. La réalisation d'un détartrage complet déblocuera le produit. En cas de quantités très importantes de tartre, il est possible de devoir lancer deux fois successivement le programme Autonettoyant pour que le détartrage soit efficace.

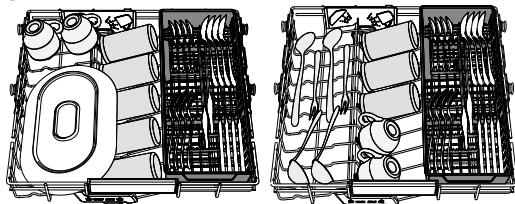
DÉTECTION - Lorsque le capteur détecte le niveau de saleté, une animation apparaît sur l'écran de lavage (environ 20 min.) et la durée du cycle est mise à jour. La DÉTECTION est destinée au niveau de salissure de la vaisselle et elle est présente pour tous les cycles de lavage (excepté Eco) en ajustant le programme en conséquence.

CHARGEMENT DES PANIERS

CAPACITÉ : 14 couverts standards

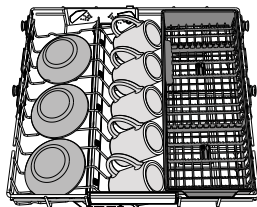
PANIER LE PLUS HAUT

Le panier le plus est une zone de lavage dédiée aux bols, tasses, verres, couverts et ustensiles, que vous chargeriez habituellement dans les paniers inférieurs. Vous bénéficiez donc de plus de place pour le reste de la vaisselle quotidienne dans les autres paniers.



L'espace dédié aux couverts facilite le rangement après le cycle de lavage et améliore la performance de lavage et de séchage.

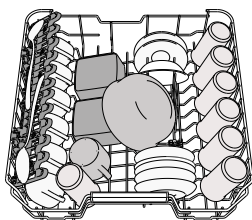
Les couteaux et autres ustensiles avec des bords tranchants doivent être placés dans le panier à couverts avec la pointe vers le bas.



PANIER SUPÉRIEUR

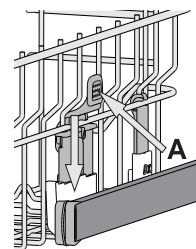
Chargez la vaisselle délicate et légère: verres, tasses, soucoupes, saladiers bas. Le panier supérieur comprend des supports rabattables qui peuvent être utilisés dans une position verticale lorsque vous placez les assiettes à thé ou à dessert, ou abaissée pour charger les bols et autres récipients.

(exemple de chargement du panier supérieur)



Ajuster la hauteur du panier supérieur

Vous pouvez ajuster la hauteur du panier supérieur : position élevée pour placer la vaisselle encombrante sur le panier inférieur et éviter les chocs avec le panier supérieur ; en créant plus d'espace en hauteur. Le panier supérieur comprend un **dispositif de réglage de la hauteur** (voir figure). Sans appuyer sur les leviers, soulevez simplement le panier supérieur en le tenant par les côtés jusqu'à ce qu'il soit stable en position élevée. Pour abaisser le panier, appuyez sur les leviers **A** sur les côtés du panier et déplacez-le vers le bas.



Nous vous conseillons fortement de ne pas ajuster la hauteur du panier lorsqu'il est chargé. Ne JAMAIS soulever ou abaisser un seul côté du panier.

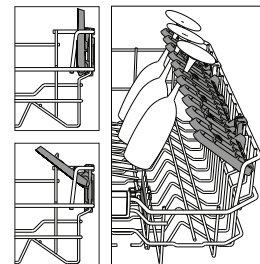
Volets pliables avec positions ajustables

Les volets pliables latéraux peuvent être pliés ou dépliés afin d'optimiser la disposition de la vaisselle à l'intérieur du panier.

Les verres de vin peuvent être placés de façon sécuritaire dans les volets pliables en insérant le pied de chaque verre dans la fente correspondante.

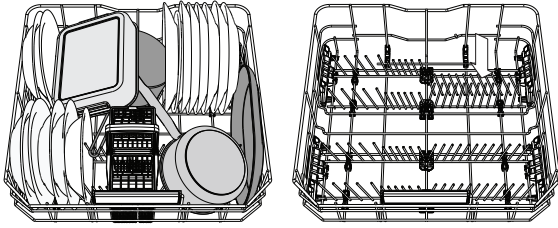
Selon le modèle :

- pour déplier les volets, il est nécessaire de les coulisser vers le haut et de les tourner ou de les libérer des fixations et de les tirer vers le bas.
- pour replier les volets, il est nécessaire de les tourner et de les faire coulisser vers le bas ou de les tirer vers le haut et de les accrocher aux fixations.



PANIER INFÉRIEUR

Pour les poêles, les couvercles, les plats, les saladiers, les couverts, etc. Les grands plats et les grands couvercles devraient être placés sur le côté pour éviter qu'ils n'entravent le fonctionnement des bras d'aspersion. Le panier inférieur comprend des supports rabattables qui peuvent être placés en position verticale pour charger des assiettes, ou en position horizontale (bas) pour faciliter le chargement des casseroles et des saladiers.

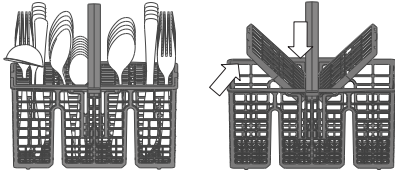


(exemple de chargement du panier inférieur)

Panier à couvert

Il comprend des grilles supérieures pour placer les couverts plus facilement. Le panier à couvert doit uniquement être placé à l'avant du panier inférieur.

Les couteaux et autres ustensiles avec des bords tranchants doivent être placés dans le panier à couvert avec la pointe vers le bas, ou placés à l'horizontale dans le compartiment rabattable sur le panier supérieur.



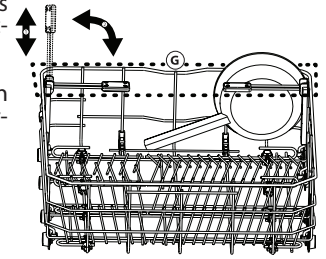
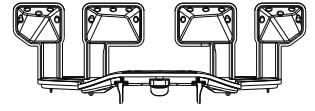
POWERCLEAN PRO

PowerClean Pro utilise des jets d'eau spéciaux, situés à l'arrière de la cavité, pour laver les articles très sales avec une intensité plus élevée. Le panier inférieur comprend une zone d'espace, un support spécial qui se trouve à l'arrière du panier, qui peut être utilisé pour supporter les poêles à frire et les moules dans une position verticale, prenant ainsi moins de place.

Placer les poêles et les casseroles face aux jets Power Clean situés à l'arrière de la cuve et activez **POWERCLEAN PRO** sur le bandeau.

Comment utiliser PowerClean Pro.

1. Réglez la zone PowerClean Pro (G) en rabattant les supports pour assiettes arrière pour charger des casseroles.
2. Chargez les grands plats et les casseroles en les inclinant à la verticale dans la zone PowerClean Pro. Les casseroles doivent être inclinées dans la direction des jets d'eau haute pression.



NETTOYAGE ET ENTRETIEN

NETTOYER L'ENSEMBLE FILTRE

Nettoyez régulièrement l'ensemble filtre pour éviter qu'il ne se bouche et pour permettre aux eaux usées de bien s'éliminer.

L'utilisation du lave-vaisselle avec des filtres obstrués ou des corps étrangers à l'intérieur du système de filtration ou des bras de lavage peut provoquer un dysfonctionnement du lave-vaisselle en réduisant l'efficacité de lavage, en augmentant le bruit de fonctionnement et la consommation d'électricité.

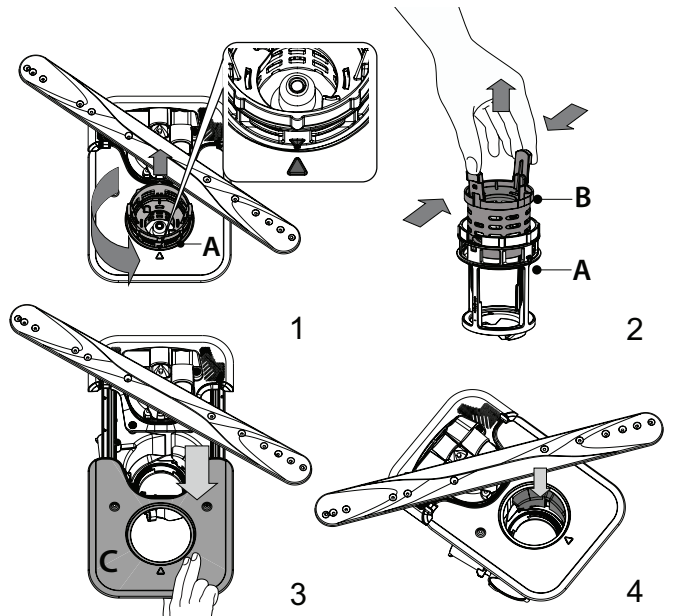
L'ensemble filtre comprend trois filtres qui séparent les résidus de nourriture de l'eau de lavage pour ensuite faire circuler l'eau.

N'utilisez pas le lave-vaisselle sans les filtres ou si un filtre est mal ajusté.

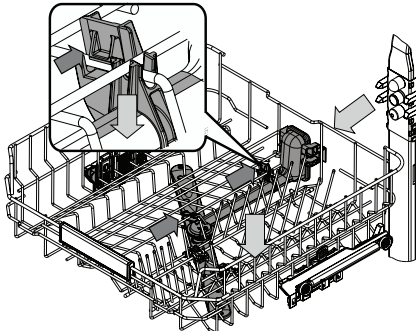
Au moins une fois par mois ou tous les 30 cycles, vérifiez l'assemblage du filtre et si nécessaire, nettoyez-le minutieusement sous l'eau courante, en utilisant une brosse non-métallique et en suivant les instructions ci-dessous:

1. Tournez le filtre cylindrique **A** dans le sens antihoraire et retirez-le (Fig. 1). **Il est important lors de la réinstallation du filtre que les deux triangles indiqués sur le zoom (Fig. 1) correspondent.**
2. Enlevez le panier du filtre **B** en appliquant une légère pression sur les volets latéraux (Fig. 2).
3. Retirez la plaque du filtre en acier inoxydable **C** (Fig. 3).
4. Si vous trouvez des objets étrangers (comme du verre brisé, de la porcelaine, des os, des pépins de fruits, etc), enlevez-les minutieusement.
5. Inspecter la cavité et enlever les résidus de nourriture. **NE JAMAIS ENLEVER** la protection de la pompe du cycle de lavage (indiqué par la flèche) (Fig 4).

Après avoir nettoyé les filtres, assemblez de nouveau l'ensemble filtre et remettez-le en place correctement; c'est très important pour que le lave-vaisselle garde son efficacité.



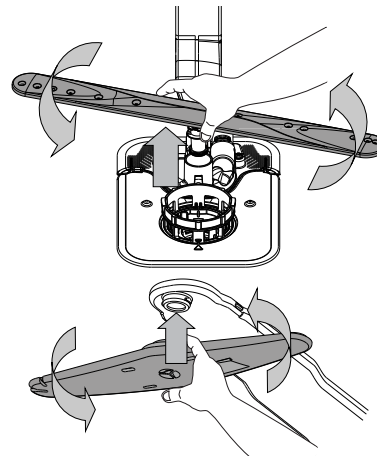
NETTOYER LES BRAS D'ASPERSION



À l'occasion, des résidus de nourriture s'incrustent dans les bras d'aspersion et bloquent les trous utilisés pour asperger de l'eau. Il est donc conseillé de vérifier les bras de temps en temps et de les nettoyer avec une petite brosse non métallique.

Pour démonter le bras d'aspersion intermédiaire, il faut déclipser l'ensemble collecteur d'eau situé sous le panier supérieur.

Le panier le plus haut dispose d'une barre d'arrivée d'eau fixe avec des buses de lavage orientées vers le haut. Pour la nettoyer, vous pouvez faire coulisser le panier vers l'extérieur et retirer les éléments qui peuvent s'être logés dans les buses à l'aide d'une petite pince.



Le bras d'aspersion inférieur se démonte en le tirant vers le haut, tout en le tournant dans le sens inverse des aiguilles d'une montre. Pour remonter le bras d'aspersion inférieur, il faut le pousser vers le bas tout en le tournant dans le sens des aiguilles d'une montre.

Le bras d'aspersion supérieur se démonte en le tirant vers le bas, tout en le tournant dans le sens inverse des aiguilles d'une montre. Pour remonter le bras d'aspersion supérieur, il faut le pousser vers le haut tout en le tournant dans le sens des aiguilles d'une montre.

DÉPANNAGE

Si votre lave-vaisselle ne fonctionne pas correctement, vérifiez si le problème peut être résolu en suivant la liste ci-après. Pour d'autres erreurs ou problèmes, contactez le Service après-vente agréé dont les coordonnées peuvent être trouvées dans le livret de garantie. Les pièces de rechange seront disponibles pour une période allant jusqu'à 7 ou jusqu'à 10 ans, selon les exigences spécifiques du règlement.

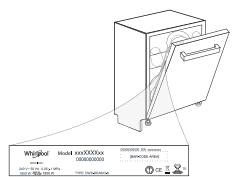
PROBLÈMES	CAUSES POSSIBLES	SOLUTIONS
 L'indicateur de sel est allumé	Le réservoir de sel est presque vide.	Remplissez le réservoir de sel régénérant (voir <i>REEMPLIR LE RÉSERVOIR DE SEL</i>). Réglez la dureté de l'eau (voir <i>TABLEAU DE DURETÉ DE L'EAU</i>).
 Le voyant de niveau de sel clignote	Le réservoir de sel est vide.	Remplissez le réservoir avec du sel dès que possible. L'utilisation de l'appareil sans sel peut provoquer des dommages à ses composants internes.
 Le voyant de liquide de rinçage est allumé ou clignote	Le distributeur de liquide de rinçage est vide. (Après le remplissage, il est possible que le voyant du liquide rinçage reste allumé pendant un certain temps).	Remplissez le distributeur avec du liquide de rinçage (voir <i>REEMPLIR LE DISTRIBUTEUR DE LIQUIDE DE RINÇAGE</i>).
 Le voyant de détartrage est allumé ou clignote; L'alarme « dES » s'affiche.	Du calcaire s'accumule sur les composants internes de l'appareil.	Détartrez l'appareil immédiatement en utilisant le programme Autonettoyant et un produit détartrant disponible dans le commerce (voir <i>OPTIONS ET FONCTIONS</i>). Remplissez le réservoir avec du sel. Vérifiez le réglage de la dureté de l'eau. Si l'appareil n'est pas détartré, il arrêtera de fonctionner.
Le lave-vaisselle ou les commandes ne fonctionnent pas.	L'appareil n'est pas bien branché.	Insérez la fiche dans la prise de courant.
	Panne de courant.	Pour des raisons de sécurité, le lave-vaisselle ne redémarrera pas automatiquement lors du rétablissement du courant. Ouvrez la porte du lave-vaisselle, appuyez sur le touche DÉPART/Pause, et fermez la porte dans les 4 secondes.
	La porte du lave-vaisselle n'est pas fermée. La tige du système NaturalDry n'est pas rentrée.	Poussez vigoureusement la porte pour entendre le « clic ».
	Un cycle est interrompu en cas d'ouverture de la porte pendant plus de 4 secondes.	Appuyez sur DÉPART/Pause et fermez la porte dans les 4 secondes.
	Le panneau de commande ne répond pas ou le message F6 E1 est affiché.	Éteignez l'appareil en appuyant sur la touche MARCHE-ARRÊT/Réinitialisation, rallumez-le environ une minute après, et redémarrez le programme. Si le problème persiste, débranchez l'appareil pendant 1 minute, puis rebranchez-le.
Le lave-vaisselle ne se vidange pas. L'afficheur indique: F7 E3 ou F9 E1	Le filtre est bouché par des résidus de nourriture ou du calcaire.	Nettoyez le filtre et détardez l'appareil (voir <i>NETTOYER L'ENSEMBLE FILTRE et INSTRUCTION POUR LE DÉTARTRAGE</i>).
	Le tuyau de vidange est plié.	Vérifiez le tuyau de vidange (voir <i>INSTRUCTIONS D'INSTALLATION</i>).
	Le conduit de vidange de l'évier est bouché.	Nettoyez le conduit de vidange de l'évier.
Le lave-vaisselle fait beaucoup de bruit.	La vaisselle s'entrechoque.	Remplacez la vaisselle correctement (voir <i>CHARGEMENT DES PANIERS</i>).
	Une quantité de mousse excessive est présente.	Le détergent a été mal mesuré ou il n'est pas adéquat pour les lave-vaisselle (voir <i>REPLISSAGE DU DISTRIBUTEUR DE DÉTERGENT</i>). Relancez le cycle en cours en éteignant le lave-vaisselle, puis en le rallumant, sélectionnez un nouveau programme, appuyez sur MARCHE-ARRÊT et fermez la porte dans les 4 secondes. Merci de ne pas ajouter de détergent.
	La vaisselle n'a pas été bien rangée.	Remplacez la vaisselle correctement (voir <i>CHARGEMENT DES PANIERS</i>).
	Le filtre est bouché par des résidus de nourriture ou du calcaire.	Nettoyez l'ensemble de filtre (voir <i>NETTOYAGE ET ENTRETIEN</i>).
La vaisselle n'est pas propre.	La vaisselle n'a pas été bien rangée.	Remplacez la vaisselle correctement (voir <i>CHARGEMENT DES PANIERS</i>).
	Les bras d'aspersion ne tournent pas librement, ils sont gênés par la vaisselle.	Remplacez la vaisselle correctement (voir <i>CHARGEMENT DES PANIERS</i>). Vérifiez que le panier supérieur est dans la position correcte et ajuster (lever) si nécessaire.
	Le cycle de lavage n'est pas assez intensif.	Sélectionnez le cycle de lavage approprié (voir <i>TABLEAU DES PROGRAMMES</i>).
	Une quantité de mousse excessive est présente.	Le détergent a été mal mesuré ou il n'est pas adéquat pour les lave-vaisselle (voir <i>REEMPLIR LE DISTRIBUTEUR DE DÉTERGENT</i>).
	Le bouchon du compartiment de liquide de rinçage n'est pas bien fermé.	Assurez-vous que le bouchon du distributeur de liquide de rinçage est fermé.
	Le filtre est bouché par des résidus de nourriture ou du calcaire.	Nettoyez le filtre et détardez l'appareil (voir <i>NETTOYER L'ENSEMBLE FILTRE</i>).
	Le réservoir de sel est vide.	Remplir le réservoir de sel (voir <i>REEMPLIR LE RÉSERVOIR DE SEL</i>).
L'eau n'arrive pas au lave-vaisselle. L'afficheur indique: H2O et  est allumé; une alarme sonore retentit.	L'alimentation d'eau est vide ou le robinet est fermé.	Assurez-vous qu'il y a de l'eau dans le circuit d'alimentation ou que le robinet est ouvert.
	Le tuyau d'arrivée d'eau est plié.	Vérifiez le tuyau d'entrée (voir <i>INSTALLATION</i>). Ouvrez la porte du lave-vaisselle, appuyez sur le touche DÉPART/Pause, et fermez la porte dans les 4 secondes.
	Le tamis dans le tuyau d'arrivée d'eau est obstrué; vous devez le nettoyer.	Vérifiez et nettoyez le tamis dans le tuyau d'entrée d'eau. Ouvrez la porte du lave-vaisselle, appuyez sur le touche DÉPART/Pause, et fermez la porte dans les 4 secondes.

PROBLÈMES	CAUSES POSSIBLES	SOLUTIONS
Le lave-vaisselle termine son cycle prématurément. L'afficheur indique : F8 E3 .	Le bouchon du compartiment de liquide de rinçage n'est pas bien fermé.	Nettoyez le filtre et détartrez l'appareil (voir <i>NETTOYER L'ENSEMBLE FILTRE</i> et <i>INSTRUCTION POUR LE DÉTARTAGE</i>).
	Le tuyau de vidange est positionné trop bas ou se vide dans le système d'évacuation domestique.	Vérifiez que le tuyau de vidange n'est pas trop engagé dans la canalisation murale du réseau d'évacuation des eaux usées (voir <i>INSTALLATION</i>). En cas d'un branchement du tuyau de vidange sur le syphon d'un évier de cuisine, il faut installer un dispositif anti retour pour éviter le risque de siphonnage du lave-vaisselle.
	Une quantité de mousse excessive est présente.	Le détergent a été mal mesuré ou il n'est pas adéquat pour les lave-vaisselle (voir <i>REEMPLIR LE DISTRIBUTEUR DE DÉTERGENT</i>).
	De l'air est présent dans l'alimentation en eau.	Vérifiez si l'alimentation en eau présente des fuites ou d'autres problèmes laissant entrer de l'air.
La vaisselle n'est pas bien séchée.	Il n'y a pas de liquide de rinçage ou le dosage est trop faible.	Assurez-vous que le distributeur de liquide de rinçage est rempli (voir <i>REEMPLIR LE DISTRIBUTEUR DE LIQUIDE DE RINÇAGE</i>). Les tablettes multifonctions ne donnent pas un résultat de séchage aussi bon que l'utilisation effective de liquide de rinçage.
	La vaisselle a été chargée après l'ouverture automatique de la porte mais avant la fin du cycle effectif.	Assurez-vous que le cycle a pris fin avant de commencer à décharger la vaisselle (voir <i>UTILISATION QUOTIDIENNE</i>). Pour des résultats de séchage encore meilleurs, il est recommandé de laisser la vaisselle à l'intérieur du lave-vaisselle avec la porte ouverte pendant 15 minutes supplémentaires après la fin du cycle.
	La vaisselle est positionnée trop à plat.	Si vous constatez des flaques d'eau dans les cavités des tasses, mugs ou bols, essayez de charger la vaisselle (en particulier dans le panier supérieur) de manière plus inclinée pour permettre à l'eau de s'égoutter davantage avant que le séchage ne débute.
	Le cycle sélectionné n'a pas de phase de séchage.	Vérifiez sur le <i>TABLEAU DE PROGRAMMES</i> si le programme sélectionné est équipé dans la phase de séchage. Un cycle sans phase de séchage ne peut pas donner une efficacité de séchage souhaitée, il est donc recommandé de changer la sélection de cycle pour celle qui présente une phase de séchage.
La vaisselle est anti-adhérente ou en plastique.	Il est normal qu'il reste quelques gouttes d'eau sur ce type de matériau.	
La vaisselle et les verres ont des traces bleues ou des teintes bleutées.	Le dosage du liquide de rinçage est excessif.	Ajuster le dosage à une valeur inférieure.
Des traces de calcaire ou un film blanc sont présentes sur la vaisselle et les verres.	Le réservoir à sel est vide.	Remplissez le réservoir avec du sel dès que possible. L'utilisation de l'appareil sans sel peut provoquer des dommages à ses composants internes.
	Le réglage de la dureté de l'eau est trop bas.	Augmenter le réglage (voir <i>TABLEAU DURETÉ DE L'EAU</i>).
	Le bouchon du réservoir de sel n'est pas bien fermé.	Vérifiez et fermez le bouchon du réservoir de sel.
Le réservoir de liquide de rinçage est vide ou le dosage de liquide de rinçage est insuffisant.	Remplissez le distributeur avec du liquide de rinçage et vérifiez le réglage du dosage (pour plus d'informations - voir <i>REEMPLIR LE DISTRIBUTEUR DE LIQUIDE DE RINÇAGE</i>).	
Le lave-vaisselle affiche F8 E5	La vanne est bloquée ou défectueuse.	Fermez le robinet d'eau, si possible. Ne coupez pas l'alimentation électrique. Appelez la maintenance.



Vous trouverez les documents normatifs, la documentation standard, le classement des pièces de rechange et des informations supplémentaires sur les produits:

- En utilisant le QR code sur votre produit et visitant notre site web docs.bauknecht.eu
- En visitant notre site web parts-selfservice.whirlpool.com
- Vous pouvez également **contacter notre Service après-vente** (voir numéro de téléphone dans le livret de garantie). Lorsque vous contactez notre Service après-vente, veuillez indiquer les codes figurant sur la plaque signalétique de l'appareil.



Les informations relatives au modèle peuvent être trouvées en utilisant le QR-Code figurant sur l'étiquette énergétique. L'étiquette comprend également l'identifiant du modèle qui peut être utilisé pour consulter le portail du registre sur le site <https://eprel.ec.europa.eu>.





GRAZIE PER AVER ACQUISTATO UN PRODOTTO BAUKNECHT.

Per ricevere assistenza in modo più completo, registrare il proprio apparecchio sul sito: www.bauknecht.eu/register

Prima di utilizzare l'apparecchio, legga attentamente le Istruzioni di sicurezza e di installazione. Maggiori informazioni sul prodotto disponibili sul sito web: docs.bauknecht.eu



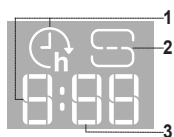
Dopo l'installazione, ricordarsi di rimuovere tutte le parti di protezione per il trasporto dalla lavastoviglie.

PANNELLO DI CONTROLLO



1. Tasto **ACCENSIONE-SPEGNIMENTO/Ripristino** con relativa spia
2. Tasto **programma Eco** con relativa spia
3. Tasto **programma Auto Intensivo** con relativa spia
4. Tasto **programma Auto Misto** con relativa spia
5. Tasto **programma Auto Rapido** con relativa spia
6. Tasto **programma Rapido** con relativa spia
7. Tasto **programma Cristalli** con relativa spia / **Programma Autopulente** - pressione di 3 sec.
8. Tasto **programma Prelavaggio** con relativa spia
9. Spia serbatoio **Sale** vuoto
10. Spia serbatoio **Brillantante Vuoto**
11. **Display**
12. **Numero di programma** e indicatore di **durata residua**
13. Spia **Rubinetto Acqua Chiuso**
14. Spia **DECALCIFICAZIONE**
15. Tasto **opzione PowerClean Pro** con relativa spia
16. Tasto **opzione di Mezzo Carico** con relativa spia
17. Tasto **opzione Extra Asciutto** con relativa spia / **Impostazioni** - pressione di 3 sec.
18. Tasto **opzione Silenzioso** con relativa spia
19. Tasto **opzione Antibatterico** con relativa spia
20. Tasto **opzione Turbo** e relativa spia
21. Tasto **opzione Avvio Ritardato** con relativa spia
22. Tasto **AVVIO/Pausa** con relativa spia

DISPLAY A PAVIMENTO

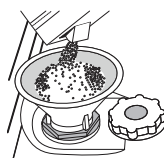


1. **Tempo di attesa sul pavimento** - indicatore del tempo mancante all'inizio del ciclo, quando l'opzione Attesa è impostata
2. **Serbatoio del sale vuoto** - spia luminosa a pavimento
3. **Tempo residuo a pavimento** - indicatore del tempo residuo fino al termine del ciclo

PRIMO UTILIZZO

MENU IMPOSTAZIONI

1. Azionare l'apparecchio premendo il tasto **ACCENSIONE/SPEGNIMENTO** (⏻).
2. Tenere premuto il tasto **Impostazioni** (⚙️) (Extra Asciutto ())) per 3 secondi, fino a quando non si sente un bip e il display visualizzerà "SET" (Impostato).
3. Dopo un secondo, verrà visualizzata la prima impostazione disponibile (lettera "h").
4. Premere **programma Prelavaggio** (☺️) / **opzione PowerClean Pro** (POWER CLEAN) per scorrere in avanti e indietro l'elenco delle impostazioni disponibili (vedere la tabella sottostante), quindi premere **AVVIO/Pausa** (▶️) per visualizzare e modificare il valore dell'impostazione attualmente selezionata.
5. Premere **programma Prelavaggio** (☺️) / **opzione PowerClean Pro** (POWER CLEAN) per modificare il valore, quindi premere **AVVIO/Pausa** (▶️) per salvare il nuovo valore.
6. Per modificare un'altra impostazione, ripetere i punti 2 e 5.
7. Premere **ACCENSIONE/SPEGNIMENTO** (⏻) o attendere 30 secondi per uscire dal menu.



1. Togliere il cestello inferiore e svitare il tappo del serbatoio (ruotare in senso antiorario).
2. Sistemare opportunamente l'imbuto (vedere figura) e rifornire il serbatoio del sale fino all'orlo (circa 0,5 kg); Non è inconsueto che l'acqua trabocchi leggermente.
3. **Solo la prima volta: riempire d'acqua il serbatoio del sale.**

4. Togliere l'imbuto ed eliminare qualsiasi residuo di sale dall'areacircostante l'apertura.

Accertarsi che il tappo sia adeguatamente serrato per evitare l'ingresso di detersivo all'interno della vaschetta durante il programma di lavaggio (ciò potrebbe causare il danneggiamento del dispositivo addolcente senza possibilità di riparazione).

Eseguire un programma ogni volta che si completa il riempimento del serbatoio del sale per evitare la corrosione.

Impostazione della durezza dell'acqua

Per consentire che il dispositivo addolcente dell'acqua agisca al meglio, è essenziale che l'impostazione del livello di durezza dell'acqua tenga conto della sua durezza effettiva nell'utenza domestica. È possibile ottenere il valore di durezza dell'acqua nell'utenza domestica rivolgendosi al proprio fornitore. L'impostazione di fabbrica è "3". Vedere „**TABELLA DELLA DUREZZA DELL'ACQUA**".

Tabella della durezza dell'acqua

Livello	°dH	°fH	°Clark
	Gradi tedeschi	Gradi francesi	Gradi inglesi
1 (Dolce)	0 - 6	0 - 10	0 - 7
2 (Moderatamente dolce)	7 - 11	11 - 20	8 - 14
3 (Medio)	12 - 16	21 - 29	15 - 20
4 (Dura)	17 - 34	30 - 60	21 - 42
5 (Molto dura)	35 - 50	61 - 90	43 - 62

Per effettuare modifiche, seguire le istruzioni riportate nella sezione „MENU IMPOSTAZIONI”.

Utilizzare soltanto sale di tipo specifico per lavastoviglie.

Dopo aver versato il sale all'interno della macchina, la spia riempimento SALE si spegne.

La mancanza di sale nel serbatoio potrebbe danneggiare l'addolcitore d'acqua e la resistenza per effetto dell'accumulo di calcare.

L'uso del sale è consigliato con qualsiasi tipo di detersivo per lavastoviglie.

SISTEMA DI ADDOLCIMENTO DELL'ACQUA

L'addolcitore riduce automaticamente la durezza dell'acqua, impedendo la formazione di calcare sulla serpentina e contribuendo a migliorare l'efficienza di lavaggio. **Questo sistema si rigenera con il sale, che deve essere perciò rabboccato quando il serbatoio del sale è vuoto.** La frequenza di rigenerazione dipende dal livello di durezza impostato - con la durezza dell'acqua impostata al livello 3, la rigenerazione avviene ogni 4-6 cicli Eco. Il processo di rigenerazione avviene all'inizio del ciclo con acqua fresca aggiuntiva.

- Ogni rigenerazione comporta: un consumo di ~3 litri d'acqua;
- Un prolungamento di 5 minuti della normale durata del ciclo;
- Un consumo di energia minore di 0,005 kWh.

LET-TERA	IMPOSTAZIONE	VALORI (Predefinito - in grassetto)
(h)	Grado di durezza dell'acqua (vedere "IMPOSTAZIONE DELLA DUREZZA DELL'ACQUA" e "TABELLA DELLA DUREZZA DELL'ACQUA")	1 2 3 4 5
(S)	Livello del brillantante (vedere "REGOLAZIONE DEL DOSAGGIO DI BRILLANTANTE")	0 1 2 3 4 5
(1)	NaturalDry (vedere "OPZIONI E FUNZIONI") "1" = Accese, "0" = Spente	1 0
(L)	Ora sul pavimento (vedere "OPZIONI E FUNZIONI") "1" = Accese, "0" = Spente	1 0
(S)	Segnale acustico "1" = Accese, "0" = Spente	1 0
(L)	Luci interne (vedere "OPZIONI E FUNZIONI") "1" = Accese, "0" = Spente	1 0
(-)	Impostazioni di fabbrica Premere AVVIO/Pausa per ripristinare i valori di fabbrica di tutte le impostazioni incluse nel menu delle impostazioni.	-

RIEMPIMENTO DEL SERBATOIO SALE

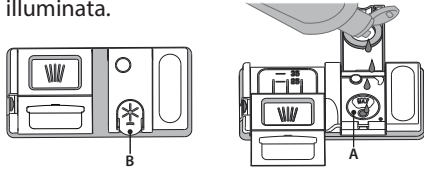
L'uso di sale previene la formazione di CALCARE sulla superficie dei piatti e sui componenti della macchina.

Il serbatoio del sale si trova nella parte inferiore della lavastoviglie (sotto il cestello inferiore sul lato sinistro).

- È indispensabile che il **serbatoio del sale non sia mai vuoto.**
- È essenziale quindi che il livello di durezza dell'acqua sia stato impostato.
- Il sale deve essere inserito quando la spia **RIEMPIMENTO SALE** (S) sul pannello comandi è accesa.

RIEMPIMENTO DEL DISTRIBUTORE BRILLANTANTE

L'utilizzo di brillantante facilita il processo di ASCIUGATURA delle stoviglie. Il distributore di brillantante **A** deve essere riempito ogni volta che a spia dell'indicatore di RIEMPIMENTO BRILLANTANTE  sul pannello comandi è illuminata.



1. Aprire il distributore **B** esercitando opportuna pressione e quindi sollevando la linguetta posta sul coperchio.
2. Versare delicatamente il brillantante fino al segno che indica il livello di riferimento

massimo (110 ml), ma evitandone la fuoriuscita. Nel caso in cui ciò si verifici, asciugare immediatamente il liquido fuoriuscito mediante un panno asciutto.

3. Abbassare il coperchio fino ad avvertire lo scatto che ne segnala la chiusura. **Non versare MAI il brillantante direttamente all'interno della vaschetta.**

Regolazione del dosaggio di brillantante

Se non si è completamente soddisfatti del processo di asciugatura, è possibile regolare la quantità di brillantante da utilizzare.

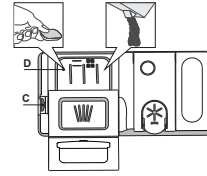
Per effettuare modifiche, seguire le istruzioni riportate nella sezione „MENU IMPOSTAZIONI“.

Nel caso in cui il livello di brillantante sia impostato su ZERO, il brillantante non viene erogato. In caso di esaurimento del brillantante la spia BRILLANTANTE INSUFFICIENTE non è illuminata. A seconda del modello di lavastoviglie è possibile impostare al massimo **6** livelli.

- In presenza di strisce con sfumature blu sulla superficie dei piatti, impostare un livello di dosaggio basso (0-3).
- In presenza di gocce d'acqua o di calcare sulla superficie dei piatti impostare invece dosaggi alti (4-5).

RIEMPIMENTO DEL DISTRIBUTORE DETERATIVO

Per aprire il distributore detersivo utilizzare il dispositivo di apertura **C**. Versare il detersivo esclusivamente nel distributore **D** asciutto. Mettere la dose di detersivo per il prelavaggio direttamente all'interno del distributore.



1. Per il dosaggio corretto del detersivo fare riferimento ai dati sopra riportati. La vaschetta **D** contiene indicatori di livello per facilitare il dosaggio del detersivo.
2. Eliminare eventuali residui di detersivo dai bordi del distributore e chiudere il coperchio fino ad avvertire lo scatto caratteristico.
3. Chiudere il coperchio del distributore sollevandolo fino a portare il dispositivo di chiusura in sede.

Il distributore del detersivo si apre automaticamente quando previsto dal programma in uso.

L'uso di un detersivo non specifico per lavastoviglie potrebbe causare malfunzionamenti o danni all'apparecchio.

USO QUOTIDIANO

1. VERIFICA DEL COLLEGAMENTO ALLA RETE IDRICA

Verificare che la lavastoviglie sia collegata alla rete idrica e che il rubinetto dell'acqua sia aperto.

2. AZIONAMENTO DELLA LAVASTOVIGLIE

Aprire la porta e premere il tasto **ACCENSIONE/SPEGNIMENTO**.

3. CARICAMENTO DEI CESTELLI (vedere CARICAMENTO DEI CESTELLI).

4. RIEMPIMENTO DEL DISTRIBUTORE DETERATIVO

5. SELEZIONARE IL PROGRAMMA E ADATTARE IL CICLO SECONDO NECESSITÀ

Selezionare il programma più appropriato in base al tipo di stoviglie e al loro livello di sporco (vedere DESCRIZIONE DEI PROGRAMMI) premendo il pulsante **PROGRAM** selezionato.

Selezionare le opzioni richieste (vedere OPZIONI E FUNZIONI). Non tutte le opzioni sono compatibili con tutti i programmi.

6. AVVIO

Avviare il ciclo di lavaggio premendo il pulsante **AVVIO/Pausa** (il led è acceso) e chiudendo la porta entro 4 secondi. Quando il programma si avvia, verrà emesso un singolo segnale acustico. Se la porta non viene chiusa entro 4 secondi viene emesso un suono di allarme. In questo caso, aprire la porta, premere il tasto **AVVIO/Pausa** e richiudere la porta entro 4 sec.

7. FINE DEL CICLO DI LAVAGGIO

La fine del ciclo di lavaggio è indicata da un suono e il display visualizza **END** (FINE). Aprire la porta e spegnere l'apparecchio premendo il pulsante **ACCENSIONE/SPEGNIMENTO**. Per evitare bruciature, prima di togliere le stoviglie attendere pochi minuti. Scaricare i cestelli, iniziando da quello inferiore.

MODIFICA DI UN PROGRAMMA IN ESECUZIONE

Se è stato selezionato un programma sbagliato, è possibile cambiarlo, a condizione che sia appena iniziato. **RESET** della macchina: tenere premuto il pulsante **ACCENSIONE/SPEGNIMENTO** per più di 3 secondi, e la macchina si spegnerà. **Il pannello di controllo mostrerà "0:01"**. Chiudere la porta e attendere il termine del ciclo di scarico (circa 1 minuto). Aprire la porta e riaccendere la macchina usando il pulsante **ACCENSIONE/SPEGNIMENTO** e selezionare il nuovo ciclo di lavaggio e le opzioni desiderate. Avviare il ciclo premendo il pulsante **AVVIO/Pausa** e chiudendo la porta entro 4 secondi.

AGGIUNTA DI STOVIGLIE EXTRA

Senza spegnere la macchina, aprire prima leggermente la porta per evitare che l'acqua fuoriesca (il led **AVVIO/Pausa** inizia a lampeggiare) (**Attenzione! Vapore caldo!**) e mettere le stoviglie nella lavastoviglie. Premere il tasto **AVVIO/Pausa** e chiudere lo sportello entro 4 secondi; il ciclo riprenderà dal punto in cui era stato interrotto.

INTERRUZIONI ACCIDENTALI

Se la porta viene aperta durante il ciclo di lavaggio, o se si verifica un'interruzione di corrente, il ciclo si interrompe. **SOLO SE SI PREME il pulsante AVVIO/Pausa** e si chiude la porta entro 4 secondi, il ciclo riprenderà dal punto in cui è stato interrotto.

AVVISI E CONSIGLI

CONSIGLI

Prima di caricare i cestelli, eliminare tutti i residui di cibo dalle stoviglie e vuotare i bicchieri. **Non occorre il risciacquo sotto acqua corrente prima del caricamento.**

Sistemare le stoviglie in modo che rimangano in sede e non si possano ribaltare; e sistemare le vaschette con le aperture rivolte verso il basso e le parti concave/complesse disposte obliquamente, per consentire all'acqua di lavaggio di raggiungere ogni superficie e scorrervi liberamente.

Avvertenza: coperchi, maniglie, vassoi e padelle non devono ostacolare la rotazione degli aspersori.

Riporre tutti gli oggetti di piccole dimensioni nel cestello portaposate.

Quando molto sporche, riporre piatti e pentole nel cestello inferiore poiché nel relativo settore gli aspersori svolgono un'azione più intensa e consentono migliori prestazioni nel lavaggio.

Una volta completata la procedura di carico, accertarsi che gli aspersori possano ruotare liberamente.

STOVIGLIE DI TIPO NON ADATTO

- Stoviglie e posate in legno.
 - Bicchieri decorati, pezzi di artigianato e piatti antichi. Le decorazioni non sono sufficientemente resistenti.
 - Componenti in materiali sintetici che non resistono alle temperature elevate.
 - Stoviglie in rame e stagno.
 - Stoviglie sporche di cenere, cera, grasso lubrificante o inchiostro.
- Durante la fase di lavaggio i colori delle decorazioni di bicchieri e pezzi in alluminio/argento possono sbiadire. Alcuni tipi di bicchieri (es. i bicchieri in cristallo) possono divenire opachi anche soltanto dopo un certo numero di lavaggi.

DANNEGGIAMENTO DI BICCHIERI E STOVIGLIE

- Utilizzare soltanto bicchieri e porcellane garantite dal produttore per il lavaggio in lavastoviglie.
- Utilizzare un detersivo delicato e adatto al tipo di stoviglie in questione.
- Togliere i bicchieri e gli altri elementi dalla lavastoviglie non appena sia terminato il ciclo di lavaggio.

IGIENIZZANTE

Per evitare la formazione di cattivi odori e sedimenti vari all'interno della lavastoviglie **avviare un programma che preveda temperature elevate almeno una volta al mese**. Per eseguire la pulizia dell'apparecchio utilizzare un cucchiaino di detersivo e avviare il ciclo in assenza di carico.

RESISTENZA AL GELO

Se l'apparecchio è collocato in un locale esposto al pericolo di gelo, **occorre svuotarlo completamente**. Chiudere il rubinetto dell'acqua e staccare i tubi di alimentazione e di scarico, quindi far defluire l'acqua. **Assicurarsi che l'addolcitore d'acqua sia pieno di sale di rigenerazione disciolto nel relativo contenitore**, per proteggere l'apparecchio da temperature fino a -20°C. Se l'apparecchio è stato immagazzinato in condizioni di gelo, deve rimanere a una temperatura ambiente di min. 5°C **per almeno 24 ore** prima del primo funzionamento.

CONSIGLI PER IL RISPARMIO ENERGETICO

- Se la lavastoviglie viene usata secondo le istruzioni del produttore, **il lavaggio delle stoviglie a macchina comporta normalmente un MINORE CONSUMO DI ENERGIA e acqua rispetto al lavaggio a mano**.
- Per ottimizzare l'efficienza della lavastoviglie si raccomanda di **avviare il ciclo di lavaggio con l'apparecchio a pieno carico**. Caricando la lavastoviglie fino alla capacità indicata dal produttore si contribuirà a ridurre i consumi d'acqua e di energia. Per informazioni sul caricamento corretto delle stoviglie, leggere la sezione CARICAMENTO DEI CESTELLI. In caso di carico parziale, si raccomanda di usare le apposite opzioni di lavaggio, se disponibili (Mezzo carico/ Zone Wash/ Multizona), caricando solo i cestelli selezionati. Un caricamento non corretto o eccessivo della lavastoviglie può aumentare il consumo di risorse (acqua, energia e tempo, oltre a una maggiore rumorosità) e ridurre le prestazioni di lavaggio e asciugatura.
- Il pre-risciacquo delle stoviglie comporta un maggiore consumo di acqua ed energia e non è consigliato.

TABELLA DEI PROGRAMMI

Programma	Descrizione dei programmi	Fase di asciugatura	NaturalDry	Opzioni disponibili *)	Durata programma di lavaggio (h:min)**	Consumo d'acqua (litri/ciclo)	Consumo energetico (kWh/ciclo)
Eco	Eco 50° - Il programma è indicato per le stoviglie mediamente sporche; è il programma più efficiente in termini di consumo combinato di acqua ed energia per questo tipo di stoviglie e viene usato per valutare la conformità dell'apparecchio alla legislazione UE in materia di progettazione ecocompatibile.	✓	✓		4:00	9,5	0,64
	Auto Intensivo 65° - Programma automatico per piatti e pentole molto sporchi.	✓	✓		2:25 - 3:10	15,5 - 24,5	1,30 - 1,70
	Auto Misti 55° - Programma automatico per piatti normalmente sporchi e con residui secchi di cibo.	✓	✓		1:20 - 3:00	7,5 - 19,5	0,75 - 1,20
	Auto Rapido 50° - Programma automatico per piatti normalmente e leggermente sporchi. Ciclo quotidiano; permette di ottenere risultati di lavaggio e asciugatura ottimali in un tempo inferiore.	✓	✓		1:00 - 1:50	7,5 - 15,5	0,70 - 1,10
	Rapido 45° - Il programma è consigliato per una quantità limitata di piatti poco sporchi e senza residui secchi di cibo. Non include la fase di asciugatura.	-	✓		0:30 - 0:40	10,0 - 12,0	0,55 - 0,65
	Cristalli 45° - Programma adatto a oggetti delicati, più sensibili alle temperature elevate, ad esempio bicchieri e tazze.	✓	✓		1:40 - 1:50	12,5 - 16,5	0,95 - 1,20
	Prelavaggio - Da utilizzare per sciacquare le stoviglie da lavare successivamente. Questo programma non richiede detersivo.	-	✓		0:12	4,5	0,10
	Autopulente 65° - Programma da utilizzare per la manutenzione della lavastoviglie; deve essere eseguito solo con l'apparecchio VUOTO e usando un detersivo specifico per la manutenzione della lavastoviglie.	-	-		1:15	11,0	1,10

La misurazione dei dati per la creazione del programma ECO avviene in condizioni di laboratorio secondo quanto prescritto dalle norme europee EN 60436:2020 Nota per i laboratori di Prove: per informazioni sulle condizioni della prova comparativa EN, farne richiesta all'indirizzo: dw_test_support@whirlpool.com

Questi programmi non richiedono un pre-trattamento delle stoviglie.

*) Non è possibile selezionare tutte le opzioni contemporaneamente.

**) Ad eccezione del programma Eco, i valori riportati per gli altri programmi sono puramente indicativi. La durata effettiva può dipendere da molti fattori, quali la temperatura e la pressione dell'acqua di alimentazione, la temperatura ambiente, la dose di detersivo utilizzata, la quantità e il tipo di carico e il suo bilanciamento, la selezione di determinate opzioni e la taratura dei sensori. La taratura dei sensori può prolungare la durata dei programmi anche di 20 minuti.

OPZIONI E FUNZIONI

Le **OPZIONI** possono essere selezionate/deselezionate, dopo aver scelto il programma, direttamente premendo il pulsante corrispondente (se disponibile - l'indicatore si accende) (vedere **PANNELLO DI CONTROLLO**). In caso di opzione non compatibile con il programma selezionato (vedere **TABELLA DEI PROGRAMMI**), il LED corrispondente lampeggia 3 volte in rapida successione ed emette i previsti segnali acustici. L'opzione non è in tal caso abilitata. Un'opzione può modificare il tempo o il consumo di acqua o di energia per il programma.

POWER CLEAN **POWERCLEAN PRO** - Grazie ai getti speciali supplementari questa funzione consente un lavaggio più intenso ed efficace nell'area specifica del cestello inferiore. Si raccomanda questa funzione per il lavaggio di pentole e casseruole (fare riferimento alla sezione di caricamento di PowerClean Pro).

MEZZO CARICO - Se le stoviglie da lavare non sono numerose, la funzione di mezzo carico **MEZZO CARICO** serve a risparmiare acqua, elettricità o tempo, a seconda del programma selezionato.

Ricordare di ridurre le dosi di detersivo.

EXTRA ASCIUTTO - La temperatura più elevata durante il risciacquo finale e la fase di asciugatura prolungata consentono di migliorare l'asciugatura. L'opzione **EXTRA ASCIUTTO** comporta una maggior durata del ciclo di lavaggio.

SILENZIOSO - Adatto al funzionamento notturno dell'apparecchio. Questa opzione può essere utilizzata per limitare le emissioni di rumore durante le fasi di lavaggio. Aumenterà la durata del ciclo a seconda della selezione del ciclo base.

ANTIBATTERICO - Questa opzione può essere usata per disinfettare le stoviglie lavate. Esegue il risciacquo finale a una temperatura più elevata e aggiunge un ciclo antibatterico al programma selezionato. Ideale per la pulizia di stoviglie in terracotta e biberon. Per garantire un'efficace riduzione dei germi lo sportello della lavastoviglie deve rimanere chiuso per tutta la durata del programma.

AVVERTENZA: al termine del ciclo piatti e stoviglie potrebbero scottare molto.

TURBO - Grazie all'opzione **TURBO**, è possibile ridurre il tempo fino al 40%, a seconda del programma selezionato. Il consumo di energia e di acqua aumenta.

AVVIO RITARDATO - L'avvio del programma può essere ritardato per un periodo di tempo compreso tra **30 minuti** e **24 ore**.

1. Selezionare il programma richiesto e qualsiasi opzione necessaria. Per ritardare l'avvio del programma premere (ripetutamente) il tasto **AVVIO RITARDATO**. Regolabile da 30 minuti a 24 ore. Una volta raggiunta l'impostazione di 24 ore, premere il tasto **AVVIO RITARDATO** un'altra volta per disattivare la funzione **AVVIO RITARDATO**.

2. Premere il tasto **AVVIO/Pausa** e chiudere lo sportello entro 4 secondi. Il timer inizierà il conto alla rovescia.

3. Una volta trascorso questo periodo di tempo, la corrispondente spia si spegne e il programma si avvia automaticamente.

Una volta avviato il programma, non è più possibile impostare la funzione AVVIO RITARDATO.

RUBINETTO ACQUA CHIUSO - Allarme - Lampeggia, quando non è presente acqua in ingresso o il rubinetto dell'acqua è chiuso.

ORA SUL PAVIMENTO - Una luce LED proiettata sul pavimento indica il tempo mancante alla fine del ciclo. La spia si spegne a ogni apertura della porta. La luce si spegne al termine di un ciclo. Nell'impostazione predefinita questa funzione è attiva, ma è possibile disattivarla nel "MENU IMPOSTAZIONI".

NaturalDry - È un sistema di asciugatura a convezione che apre automaticamente lo sportello durante/dopo la fase di asciugatura, per garantire ogni giorno prestazioni di asciugatura eccezionali. Lo sportello si apre ad una temperatura sicura per i mobili della cucina; ciò significa che non si apre se è attiva l'opzione **ANTIBATTERICO**.

Come ulteriore protezione dal vapore, insieme alla lavastoviglie viene aggiunta una pellicola di protezione appositamente progettata.

Per vedere come montare la pellicola di protezione, fare riferimento alle **ISTRUZIONI PER L'INSTALLAZIONE**. Nell'impostazione predefinita questa funzione è attiva, ma è possibile disattivarla nel "MENU IMPOSTAZIONI".

LUCI INTERNE - Attivando questa funzione, i LED all'interno dell'apparecchio si accendono automaticamente all'apertura della porta e si spengono automaticamente alla sua chiusura.

Se la porta rimane aperta per più di 10 minuti, i LED interni si spengono (per riaccenderli si dovrà chiudere e riaprire la porta).

Nell'impostazione predefinita questa funzione è attiva, ma è possibile disattivarla nel "MENU IMPOSTAZIONI".

DECALCIFICAZIONE - Allarme - È stato rilevato un accumulo di calcare sui componenti interni dell'apparecchio. Verificare se l'impostazione della durezza dell'acqua è al valore corretto e se nel contenitore del sale è presente del sale (vedere **PRIMO UTILIZZO**), quindi utilizzare un prodotto decalcificante (si raccomanda il marchio WPro) con il programma **Autopulente**. Dopo una corretta decalcificazione, l'icona smetterà di essere visualizzata.

Se le azioni di cui sopra non vengono eseguite, le prestazioni del prodotto si deteriorano. L'avviso **DECALCIFICAZIONE** inizierà a lampeggiare e l'allarme «**DES**» apparirà sul display. Se non si interviene, l'apparecchio consentirà di avviare solo un certo numero di cicli (indicato durante la visualizzazione dell'allarme «**DES**» e quindi si bloccherà per evitare danni ai componenti, rendendo disponibile solo il programma **Autopulente**. Eseguendo una decalcificazione completa, il prodotto si sblocca. In caso di quantità estremamente elevate di calcare, potrebbe essere necessario eseguire la decalcificazione due volte per essere efficiente.

RILEVAMENTO - Quando il sensore rileva il livello del suolo, sul display appare un'animazione (circa 20 minuti) e la durata del ciclo viene aggiornata. Il **RILEVAMENTO** riguarda il livello di sporco delle stoviglie ed è presente per tutti i cicli (tranne l'Eco), regolando il programma di conseguenza.

CARICAMENTO DEI CESTELLI

CAPIENZA: 14 coperti standard

CESTELLO PIU' ALTO

Il cestello più alto offre una Zona di lavaggio per la pulizia mirata di ciotole, tazze, persino piatti e posate di grandi dimensioni che normalmente verrebbero caricati nei cestelli inferiori, creando spazio extra per il resto delle stoviglie della giornata.

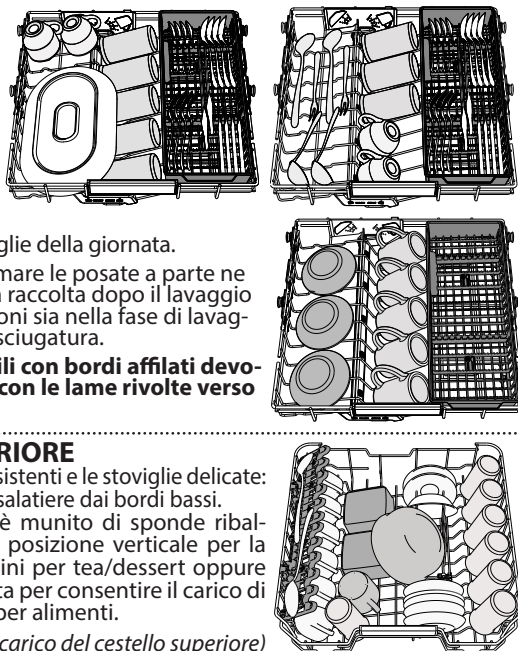
La possibilità di sistemare le posate a parte ne rende più semplice la raccolta dopo il lavaggio e migliora le prestazioni sia nella fase di lavaggio che in quella di asciugatura.

Coltelli e altri utensili con bordi affilati devono essere sistemati con le lame rivolte verso il basso.

CESTELLO SUPERIORE

Riporvi i piatti poco resistenti e le stoviglie delicate: vetri, tazze, piattini, insalatiere dai bordi bassi. Il cestello superiore è munito di sponde ribaltabili in posizione verticale per la sistemazione di piattini per tea/dessert oppure in posizione abbassata per consentire il carico di scodelle e recipienti per alimenti.

(esempio di carico del cestello superiore)



Regolazione in altezza del cestello superiore

È possibile regolare del cestello superiore nel senso dell'altezza: la posizione rialzata consente di sfruttare al massimo il cestello inferiore per riporvi le stoviglie di dimensioni ingombranti, mentre la posizione ribassata consente di utilizzare le sponde ribaltabili creando lo spazio che esse richiedono e di evitare urti con gli oggetti caricati nel cestello inferiore.

Il cestello superiore è munito di **regolatore in altezza** (vedere figura) che non richiede pressione sulle leve; sollevarlo tenendolo per i lati, non appena si trovi in posizione rialzata.

Per ripristinare la posizione ribassata, agire sulle leve **A** poste ai lati del cestello e abbassare il cestello.

Si raccomanda vivamente di non procedere alla regolazione in altezza di cestelli già caricati.

Non rialzare o ribassare MAI il cestello agendo su un lato soltanto.

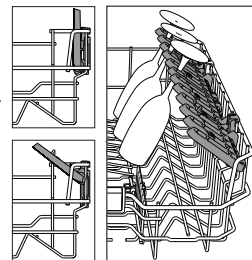
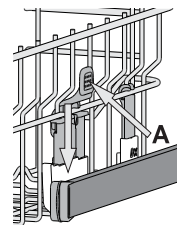
Sponde ribaltabili con posizione regolabile

Le sponde ribaltabili laterali possono essere estese o ripiegate per ottimizzare la disposizione delle stoviglie nel cestello.

Si possono disporre i bicchieri da vino nelle sponde ribaltabili in modo assolutamente sicuro, inserendone lo stelo negli appositi spazi.

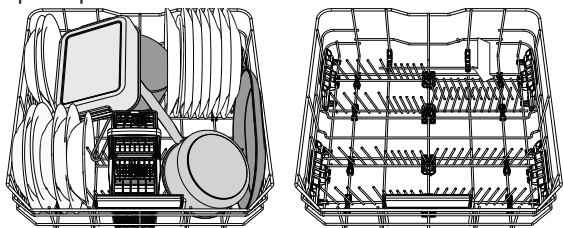
In base al modello:

- per estendere le sponde occorre farle scorrere verso l'alto e ruotarle oppure sganciarle dai fermi e abbassarle.
- per ripiegare le sponde occorre ruotarle e farle scorrere verso il basso oppure sollevarle e aganciarle ai fermi.



CESTELLO INFERIORE

Per pentole, coperchi, piatti, insalatiere, stoviglie, ecc. In teoria conviene disporre piatti e coperchi di grandi dimensioni ai lati, per evitare interferenze con l'elemento aspersore. Il cestello inferiore è munito di sponde ribaltabili da utilizzare in posizione verticale per la migliore sistemazione dei piatti oppure in posizione orizzontale (abbassata) per consentire il facile carico di scodelle e recipienti per alimenti.

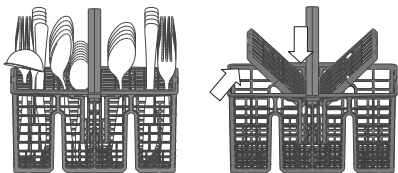


(esempio di carico nel cestello inferiore)

CESTELLO PORTAPOSATE

Le griglie tuttavia consentono anche di ottimizzare la disposizione delle posate al suo interno. Il cestello portaposate deve essere sistemato soltanto nella parte anteriore del cestello inferiore.

I coltelli e le altre posate con bordi taglienti devono essere riposte nel cestello portaposate con le punte rivolte verso il basso e orizzontalmente nelle sponde ribaltabili del cestello superiore.

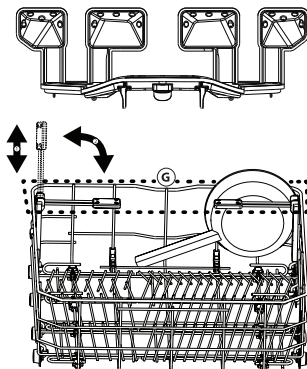


POWERCLEAN PRO

L'opzione PowerClean Pro utilizza specifici getti d'acqua nel retro della cavità per ottenere un lavaggio più intensivo delle stoviglie molto sporche. Il cestello inferiore è munito di Space Zone, lo specifico sostegno estraibile posto nella parte posteriore del cestello e utilizzabile per sostenere in posizione verticale pentole e casseruole in tal modo lo spazio. Nel disporre pentole e casseruole rivolte verso l'elemento PowerClean Pro attivare la corrispondente opzione **POWERCLEAN PRO** dal pannello comandi.

Uso dell'opzione PowerClean Pro:

1. Regolare l'area PowerClean Pro (G) ripiegando verso il basso i supporti posteriori piatti per caricare le pentole.
2. Caricare le pentole e le casseruole in posizione inclinata verticale nell'area PowerClean Pro. Le pentole devono essere inclinate verso i potenti getti d'acqua.



CURA E MANUTENZIONE

PULIZIA DEL GRUPPO FILTRO

Pulire regolarmente il gruppo filtro in modo che nei relativi elementi non si formino ostruzioni e che l'acqua vi scorra regolarmente.

L'uso della lavastoviglie con i filtri ostruiti, o con oggetti estranei nel sistema filtrante o nei bracci irroratori, può causare malfunzionamenti e determinare una perdita di prestazioni, un aumento della rumorosità o un maggiore consumo di risorse.

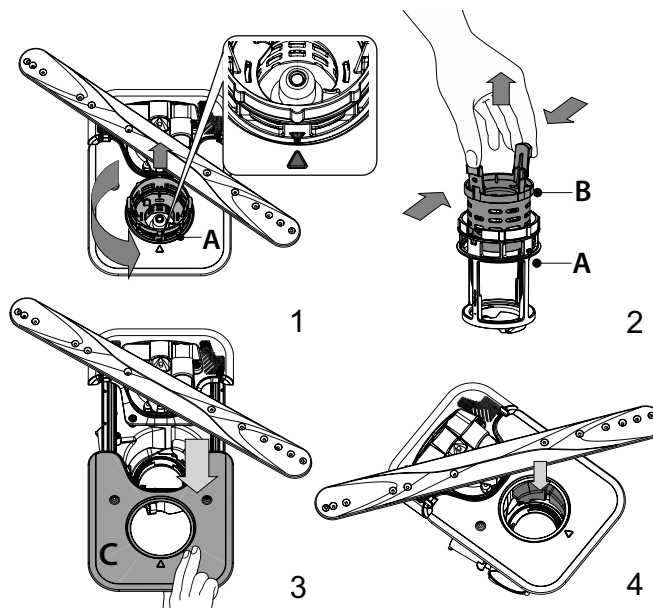
Il gruppo filtro è composto da tre elementi filtranti che eliminano la presenza di residui di cibo dall'acqua di lavaggio, rimettendola in circolo ai fini del programma; per ottenere le migliori prestazioni durante il lavaggio è necessario che tali elementi siano sempre puliti.

Non utilizzare mai la lavastoviglie priva dei filtri o con i filtri allentati.

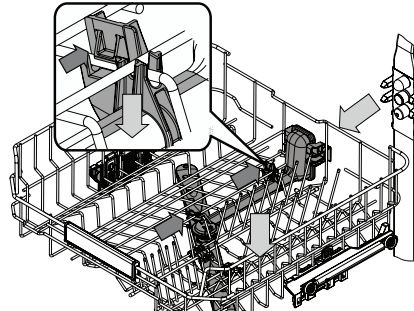
Almeno una volta al mese o ogni 30 cicli di lavaggio, verificare lo stato del gruppo filtro e se necessario pulirlo completamente sotto getto di acqua corrente, servendosi di spazzola metallica e seguendo le istruzioni sotto riportate:

1. Ruotare il filtro cilindrico **A** in senso antiorario, quindi estrarlo (Fig 1). **Quando si reinstalla il filtro, è importante che i due triangoli indicati sullo zoom coincidano.**
2. Smontare il filtro a tazza **B** esercitando una leggera pressione sulle sponde laterali (Fig 2).
3. Far scorrere il filtro a piastra in acciaio inossidabile **C**, fino ad estrarlo (Fig 3).
4. Se si trovano oggetti estranei (frammenti di vetro, porcellana, ossa, semi di frutta, ecc.), **rimuoverli con attenzione.**
5. Esaminare il sifone ed eliminare la presenza di qualsiasi residuo di cibo. **NON TOGLIERE MAI** l'elemento di protezione della pompa di lavaggio (indicato da una freccia) (Fig 4).

Dopo aver pulito i filtri, rimontare il gruppo e fissarlo correttamente in sede ciò è fondamentale per garantire l'efficienza della lavastoviglie.



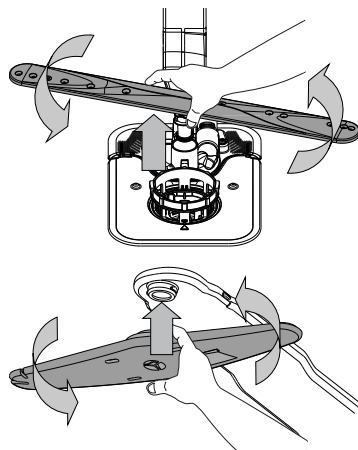
PULIZIA DEI BRACCI ASPERSORI



I residui di cibo possono occasionalmente formare incrostazioni sui bracci aspersori e bloccare i fori utilizzati per l'irrorazione dell'acqua. Si raccomanda pertanto di ispezionare di volta in volta i bracci e di pulirli mediante piccola spazzola metallica.

Per rimuovere lo spruzzo superiore, è necessario rimuoverlo insieme al collettore.

Il cestello più alto è dotato di un tubo di lavaggio fisso con tutti gli ugelli di lavaggio rivolti verso l'alto. Per pulirlo, è possibile estrarre il cestello e, con una pinzetta, rimuovere gli oggetti eventualmente incastrati negli ugelli.



Il braccio di spruzzo inferiore può essere rimosso tirandolo verso l'alto e ruotandolo in senso antiorario. Il montaggio posteriore del braccio di spruzzo avviene tirandolo verso il basso e ruotandolo in senso orario.

Il braccio di spruzzo superiore può essere rimosso premendolo verso l'alto e successivamente ruotandolo in senso antiorario. Per rimontare il braccio di spruzzo, tirarlo verso l'alto e ruotarlo in senso orario.

RISOLUZIONE DEI PROBLEMI

Se la lavastoviglie non funziona correttamente, provare a risolvere il problema consultando l'elenco sotto riportato. Per errori o problemi di altro tipo, contattare un Servizio Assistenza Tecnica autorizzato; i dati di contatto sono riportati nel libretto di garanzia. I ricambi saranno disponibili per un periodo fino a 7 o fino a 10 anni, secondo i requisiti specifici del regolamento.

PROBLEMI	POSSIBILI CAUSE	SOLUZIONE
 La spia del sale è accesa	Il serbatoio del sale è quasi vuoto.	Riempire il serbatoio con sale (per ulteriori informazioni - vedere RIEMPIMENTO DEL SERBATOIO SALE). Se necessario, verificare l'impostazione della durezza dell'acqua - vedere TABELLA DELLA DUREZZA DELL'ACQUA.
 La spia del sale lampeggia	Il serbatoio del sale è vuoto.	Riempire il serbatoio di sale il prima possibile. L'utilizzo dell'apparecchio senza sale può causare danni ai componenti interni.
 La spia del brillantante è accesa o lampeggia	Il distributore del brillantante è vuoto. (Dopo il riempimento, la spia del brillantante può rimanere accesa per un breve periodo).	Riempire la vaschetta con un brillantante (per maggiori informazioni - vedere RIEMPIMENTO DEL DISTRIBUTORE BRILLANTANTE).
 La spia di decalcificazione è accesa o lampeggia; Viene visualizzato l'allarme „dES“.	Il calcare si sta accumulando sui componenti interni dell'apparecchio.	Decalcificare immediatamente l'apparecchio utilizzando il programma AUTOPULENTE e un prodotto decalcificante disponibile in commercio (vedere OPZIONI E FUNZIONI). Riempire il serbatoio di sale. Verificare l'impostazione della durezza dell'acqua. Se l'apparecchio non viene decalcificato, smetterà di funzionare.
La lavastoviglie non si avvia o i comandi non rispondono.	L'apparecchio non è stato collegato correttamente all'alimentazione elettrica.	Inserire la spina nella presa di corrente.
	Mancanza di corrente.	Per motivi di sicurezza, la lavastoviglie non si riavvierà automaticamente al ritorno della corrente. Aprire la porta, premere il tasto AVVIO/Pausa e richiudere la porta entro 4 secondi.
	Mancata chiusura della porta lavastoviglie. Il perno ActiveDry non viene inserito.	Spingere con decisione la porta fino ad avvertire il caratteristico "click".
	Un ciclo viene interrotto dall'apertura della porta per più di 4 secondi.	Premere AVVIO/Pausa e chiudere la porta entro 4 secondi.
Lo scarico della lavastoviglie non avviene. Sul display viene visualizzato: F7 E3 o F9 E1	Il filtro è intasato da residui di cibo o calcare.	Pulire il filtro e decalcificare l'apparecchio (vedere PULIZIA DEL GRUPPO FILTRO e ISTRUZIONI PER LA DECALCIFICAZIONE).
	Il tubo flessibile di drenaggio è attorcigliato.	Controllare il tubo flessibile di scarico (vedere ISTRUZIONI DI INSTALLAZIONE).
	Tube di scarico del lavandino ostruito.	Pulire il tubo di scarico del lavandino.
La rumorosità della lavastoviglie è eccessiva.	Le stoviglie si scontrano l'una con l'altra.	Posizionare correttamente le stoviglie (vedere CARICAMENTO DEI CESTELLI).
	È presente una quantità eccessiva di schiuma.	Il detersivo non è stato dosato in modo corretto oppure non è del tipo adatto alle lavastoviglie (vedere RIEMPIMENTO DEL DISTRIBUTORE DETERSIVO). Per riavviare il ciclo in corso, spegnere e riaccendere la lavastoviglie, scegliere un nuovo programma, premere AVVIO/Pausa e chiudere lo sportello entro 4 secondi. Non aggiungere altro detersivo.
	Le stoviglie non sono state disposte correttamente.	Sistemare le stoviglie nel modo corretto (vedere CARICAMENTO DEI CESTELLI).
	Il filtro è intasato da residui di cibo o calcare.	Pulire il gruppo filtro (vedere CURA E MANUTENZIONE).
Le stoviglie non risultano pulite.	Le stoviglie non sono state disposte correttamente.	Sistemare le stoviglie nel modo corretto (vedere CARICAMENTO DEI CESTELLI).
	Impedimento nella rotazione dei bracci aspersori a causa dell'interferenza dei piatti.	Sistemare le stoviglie nel modo corretto (vedere CARICAMENTO DEI CESTELLI). Verificare che il cestello superiore sia nella posizione corretta e, se necessario, regolarlo (sollevarlo).
	Il ciclo di lavaggio è eccessivamente delicato.	Selezionare un ciclo di lavaggio appropriato (vedere TABELLA DEI PROGRAMMI).
	È presente una quantità eccessiva di schiuma.	Il dosaggio del detersivo non è stato stabilito in modo corretto oppure il detersivo non è del tipo adatto alle lavastoviglie (vedere RIEMPIMENTO DEL DISTRIBUTORE DETERSIVO).
	Il tappo del vano del brillantante non è stato chiuso correttamente.	Accertarsi che il tappo sul distributore brillantante sia chiuso.
	Il filtro è intasato da residui di cibo o calcare.	Pulire il filtro e decalcificare l'apparecchio (vedere PULIZIA DEL GRUPPO FILTRO).
La lavastoviglie non esegue il carico dell'acqua. Il display mostra: H2O e  si accende; suona l'allarme acustico.	Assenza di alimentazione idrica o rubinetto chiuso.	Assicurarsi che sia presente acqua nella rete idrica e che il rubinetto dell'acqua sia aperto.
	Il tubo flessibile di ingresso dell'acqua è attorcigliato.	Controllare il tubo flessibile di ingresso (vedere INSTALLAZIONE). Aprire la porta, premere il tasto AVVIO/Pausa e richiudere la porta entro 4 secondi.
	La griglia nel tubo flessibile di ingresso dell'acqua è intasata; è necessario pulirlo.	Controllare e pulire la griglia nel tubo flessibile di ingresso dell'acqua. Aprire la porta, premere il tasto AVVIO/Pausa e richiudere la porta entro 4 secondi.
La lavastoviglie termina il ciclo di lavaggio troppo presto. Il display mostra: F8 E3	Il filtro è intasato da residui di cibo o calcare.	Pulire il filtro e decalcificare l'apparecchio (vedere PULIZIA DEL GRUPPO FILTRO e ISTRUZIONI PER LA DECALCIFICAZIONE).
	Il tubo di scarico è posizionato troppo in basso o crea un effetto sifone nell'impianto di scarico domestico.	Controllare che l'estremità del tubo di scarico si trovi all'altezza corretta (vedere INSTALLAZIONE). Verificare la presenza di effetti sifone nel sistema fognario domestico e, se necessario, installare un interruttore sifone/una valvola di ammissione dell'aria.
	È presente una quantità eccessiva di schiuma.	Il dosaggio del detersivo non è stato stabilito in modo corretto oppure il detersivo non è del tipo adatto alle lavastoviglie (vedere RIEMPIMENTO DEL DISTRIBUTORE DETERSIVO).
	Aria nella rete idrica.	Controllare che non vi siano perdite nell'impianto idraulico o altri problemi che causino l'ingresso di aria.

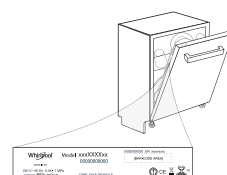
PROBLEMI	POSSIBILI CAUSE	SOLUZIONE
Le stoviglie non vengono asciugate bene.	Il brillantante non è presente o il dosaggio è troppo basso.	Assicurarsi che la vaschetta del brillantante sia piena (<i>vedere RIEMPIMENTO DEL DISTRIBUTORE BRILLANTANTE</i>). Le sole compresse multifunzionali non garantiscono un effetto di asciugatura altrettanto buono rispetto all'uso effettivo del brillantante liquido.
	Le stoviglie sono state scaricate dopo l'apertura automatica della porta, ma prima della fine del ciclo effettivo.	Assicurarsi che il ciclo sia terminato prima di iniziare a scaricare le stoviglie (<i>vedere USO QUOTIDIANO</i>). Per ottenere risultati di asciugatura ancora migliori, si consiglia di lasciare le stoviglie all'interno della lavastoviglie con la porta aperta per altri 15 minuti dopo la fine del ciclo.
	Le stoviglie sono troppo distese.	Se si notano ristagni d'acqua all'interno delle cavità di tazze, tazzine o ciotole, provare a caricare le stoviglie (soprattutto nel cestello superiore) fornendo una maggiore inclinazione per far gocciolare una maggiore quantità d'acqua prima dell'inizio dell'asciugatura.
	Il ciclo selezionato non prevede la fase di asciugatura.	Verificare nella <i>TABELLA DEI PROGRAMMI</i> se il programma selezionato è predisposto per la fase di asciugatura. Il ciclo senza la fase di asciugatura potrebbe non fornire l'efficienza di asciugatura desiderata, quindi si raccomanda di cambiare la selezione del ciclo con quella che prevede la fase di asciugatura.
	Piatti in materiale antiaderente o in plastica.	La presenza di alcune gocce d'acqua su questo tipo di materiale è normale.
I piatti e i bicchieri presentano striature blu o sfumature bluastre.	La dose di brillantante è eccessiva.	Regolare il dosaggio su un'impostazione più bassa.
I piatti e i bicchieri sono ricoperti di calcare o di una pellicola biancastra.	Il serbatoio del sale è vuoto.	Riempire il serbatoio di sale il prima possibile. L'utilizzo dell'apparecchio senza sale può causare danni ai componenti interni.
	L'impostazione della durezza dell'acqua è troppo bassa.	Aumentare l'impostazione (<i>vedere TABELLA DELLA DUREZZA DELL'ACQUA</i>).
	Tappo del serbatoio sale non correttamente chiuso.	Controllare e chiudere il tappo del serbatoio del sale.
	Il serbatoio del brillantante è vuoto o il dosaggio del brillantante è insufficiente.	Riempire nuovamente la vaschetta con il brillantante e controllare l'impostazione del dosaggio (per maggiori informazioni - <i>vedere RIEMPIMENTO DEL DISTRIBUTORE BRILLANTANTE</i>).
La lavastoviglie indica: F8 E5	La valvola è bloccata o difettosa.	Chiudere il rubinetto dell'acqua, se possibile. Non interrompere l'alimentazione elettrica. Chiamare l'assistenza.



Documentazione normativa, documentazione standard, ordinazione di pezzi di ricambio e altre informazioni sul prodotto possono essere reperite:

- Usare il codice QR e visitando il nostro sito web docs.bauknecht.eu
- Visitando il nostro sito web parts-selfservice.whirlpool.com
- Oppure, **contattare il Servizio Assistenza Tecnica** (al numero di telefono riportato sul libretto di garanzia).
Quando si contatta il Servizio Assistenza Tecnica, fornire i codici presenti sulla targhetta matricola del prodotto.

I dati del modello possono essere richiamati usando il codice QR riportato sull'etichetta energetica. L'etichetta riporta anche il codice identificativo del modello che può essere utilizzato per consultare il portale di registrazione su <https://eprel.ec.europa.eu>



400020000293

04/2024 as - Xerox Fabriano

