



THANK YOU FOR BUYING A BAUKNECHT PRODUCT.
In order to receive a more complete assistance, please register your appliance on: www.bauknecht.eu/register

Before using the appliance carefully read Safety and Installation Instructions. More information about your product available on website: docs.bauknecht.eu

After installation, please remember to remove all transport protection parts from the dishwasher.

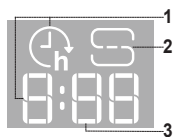
CONTROL PANEL



- ON-OFF/Reset** button with indicator light
- Eco program** button with indicator light
- Rapid program** button with indicator light/ **Prewash program** - 3 sec. press
- Crystals program** button with indicator light/ **Self-Clean program** - 3 sec. press
- Auto programs** buttons with indicator lights - **Auto Intensive** 65°/ **Auto Mixed** 55°/ **Auto Fast** 50°
- Salt reservoir empty** indicator light
- Rinse Aid** reservoir empty indicator light

- Display**
- Program number** and **remaining time** indicator
- Closed water tap** indicator light
- DESCALE** indicator light
- Extra options** buttons with indicator lights - **Half Load/ Silent/ Sani Rinse**
- PowerClean Pro option** button with indicator light
- Extra Dry option** button with indicator light / **Settings** - 3 sec. press
- Delay option** button with indicator light
- START/Pause** button with indicator light

DISPLAY ON THE FLOOR



- Delay Time on the floor** - indicator of the time left to the start of the cycle, when the Delay option is set
- Salt reservoir empty** - indicator light on the floor
- Remaining Time on the floor** - indicator of the time left to the end of the cycle

FIRST TIME USE

SETTING MENU

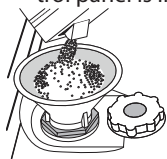
- Switch on the appliance by pressing the **ON-OFF** button.
- Hold the **Settings** (Extra Dry) button for 3 seconds, until you hear a beep and the display shows „Set“.
- After one second the first available setting (letter „h“) will be displayed.
- Press **Auto programs** / **Extra options** buttons to scroll through the list of available settings (see table below), then press **START/Pause** to view and change the value of currently selected setting.
- Press **Auto programs** / **Extra options** to change the value, then press **START/Pause** to save the new value.
- To change another setting, repeat points 2 and 5.
- Press **ON-OFF** or wait 30 seconds to exit the menu.

LETTER	SETTING	VALUES (Default - in bold)
h	Water Hardness Level (see "SETTING THE WATER HARDNESS" and "WATER HARDNESS TABLE")	1 2 3 4 5
r	Rinse Aid Level (see "ADJUSTING THE DOSAGE OF RINSE AID")	0 1 2 3 4 5
d	NaturalDry (see "OPTIONS AND FUNCTIONS") "1" = On, "0" = Off	1 0
t	Time on the floor (see "OPTIONS AND FUNCTIONS") "1" = On, "0" = Off	1 0
s	Sound "1" = On, "0" = Off	1 0
f	Factory Settings Press START/Pause to restore to the factory default all the values of the settings included in the settings menu.	-

FILLING THE SALT RESERVOIR

The use of salt prevents the formation of LIMESCALE on the dishes and the machine's functional components. The salt reservoir is located in the lower part of the dishwasher (under the lower rack on the left side).

- It is mandatory that **the salt reservoir never be empty**.
- It is important to set the water hardness.
- Salt must be filled when the **SALT REFILL indicator light** on the control panel is lit.



- Remove the lower rack and unscrew the reservoir cap (anticlockwise).
- Position the funnel (see figure) and fill the salt reservoir right up to its edge (approximately 0,5 kg); it is not unusual for a little water to leak out.
- Only the first time you do this: fill the salt reservoir with water.**

4. Remove the funnel and wipe any salt residue away from the opening. Make sure the cap is screwed on tightly so that no detergent can get into the container during the wash program (this could damage the water softener beyond repair).

Run a program every time as soon as you completed refilling the salt reservoir to avoid corrosion.

Setting the water hardness

To allow the water softener to work in a perfect way, it is essential that the water hardness setting is based on the actual water hardness in your house. This information can be obtained from your local water supplier. The factory setting is "3". See „WATER HARDNESS TABLE“.

Level	°dH German degrees	°fH French degrees	°Clark English degrees
1 (Soft)	0 - 6	0 - 10	0 - 7
2 (Medium)	7 - 11	11 - 20	8 - 14
3 (Average)	12 - 16	21 - 29	15 - 20
4 (Hard)	17 - 34	30 - 60	21 - 42
5 (Very hard)	35 - 50	61 - 90	43 - 62

To change, follow instructions in section „SETTING MENU“.

Only use salt that has been specifically designed for dishwashers. After the salt has been poured into the machine, the SALT REFILL indicator light switches off.

If the salt container is not filled, the water softener and the heating element may be damaged as a result of limescale accumulation. Use of salt is recommended with any type of dishwasher detergent.

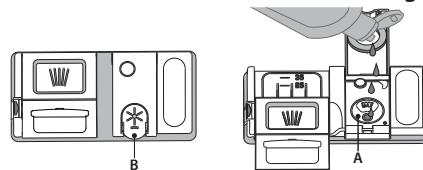
WATER SOFTENING SYSTEM

Water softener automatically reduces water hardness, consequently preventing scale buildup on the heater, contributing also to better cleaning efficiency. **This system regenerates itself with salt, therefore it is required to refill the salt container when empty.** The frequency of regeneration depends on the water hardness level setting - regeneration takes place once per 4-6 Eco cycles with the water hardness level set to 3. The regeneration process occurs at the beginning of the cycle with additional fresh water.

- Single regeneration consumes: ~3L of water;
- Takes up to 5 additional minutes for the cycle;
- Consumes below 0.005kWh of energy.

FILLING THE RINSE AID DISPENSER

Rinse aid makes dish DRYING easier. The rinse aid dispenser A should be filled when the **RINSE AID REFILL indicator light** in the control panel is lit.



- Open the dispenser B by pressing and pulling up the tab on the lid.
- Pour in the rinse aid (max. 110 ml), making sure it does not overflow from the dispenser. If this happens, clean the spill immediately with a dry cloth.

- Press the lid down until you hear a click to close it.
NEVER pour the rinse aid directly into the appliance tub.

Adjusting the dosage of rinse aid

If you are not completely satisfied with the drying results, you can adjust the quantity of rinse aid used.

To change, follow instructions in the section „*SETTING MENU*“.

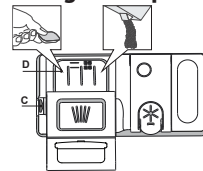
If the rinse aid level is set to ZERO, no rinse aid will be supplied. The **LOW RINSE AID indicator** light will not be lit if you run out of rinse aid.

A maximum of **6** levels can be set according to the dishwasher model.

- If you see bluish streaks on the dishes, set a low number (0-3).
- If there are drops of water or limescale marks on the dishes, set a mid-range number (4-5).

FILLING THE DETERGENT DISPENSER

To open the detergent dispenser use the opening device **C**. Introduce the detergent into the dry dispenser **D** only. Place the amount of detergent for pre-washing directly inside the tub.



1. When measuring out the detergent refer to the mentioned earlier information to add the proper quantity. Inside the dispenser **D**, there are indications to help the detergent dosing.
2. Remove detergent residues from the edges of the dispenser and close the cover until it clicks.
3. Close the lid of the detergent dispenser by pulling it up until the closing device is secured in place.

The detergent dispenser automatically opens up at the right time according to the program.

Usage of detergent not designed for dishwashers may cause malfunction or damage to the appliance.

DAILY USE

1. CHECK WATER CONNECTION

Check that the dishwasher is connected to the water supply and that the tap is open.

2. SWITCH ON THE DISHWASHER

Open the door and press the **ON/OFF** button.

3. LOAD THE RACKS (see *LOADING THE RACKS*).

4. FILL THE DETERGENT DISPENSER

5. CHOOSE THE PROGRAM AND CUSTOMISE THE CYCLE

Select the most appropriate program in accordance with the type of crockery and its soiling level (see *PROGRAMS DESCRIPTION*) by pressing the selected **PROGRAM** button.

Select the desired options (see *OPTIONS AND FUNCTIONS*).

Not all options are compatible with all programs.

6. START

Start the wash cycle by pressing **START/Pause** button (led is lit) and closing the door within 4 sec. When the program starts you hear a single beep. If the door was not closed within 4sec., the alarm sound will be played. In this case, open the door, press **START/Pause** button and close the door again within 4 sec.

7. END OF WASH CYCLE

The end of the wash cycle is indicated by sound and the display shows **END**. Open the door and switch off the appliance by pressing the **ON/OFF** button.

Wait for a few minutes before removing the crockery - to avoid burns.

Unload the racks, beginning with the lower one.

MODIFYING A RUNNING PROGRAM

If a wrong program was selected, it is possible to change it, provided that it has only just begun. **RESET** the machine: press and hold the **ON/OFF** button for more than 3. sec., and the machine will switch off. **The dashboard will show "0:01"**. Close the door and wait until drain cycle ends (around 1 minute). Open the door and switch the machine back on using the **ON/OFF** button and select the new wash cycle and any desired options. Start the cycle by pressing the **START/Pause** button and closing the door within 4 sec.

ADDING EXTRA CROCKERY

Without switching off the machine, open the door first slightly to avoid water splashing out (**START/Pause** led starts blinking) (**Caution: Hot steam!**) and place the crockery inside the dishwasher. Press the **START/Pause** button and close the door within 4 sec., the cycle will resume from the point at which it was interrupted.

ACCIDENTAL INTERRUPTIONS

If the door is opened during the wash cycle, or if there is a power cut, the cycle stops. **ONLY IF YOU PRESS** the **START/Pause** button and close the door within 4 sec., the cycle will resume from the point at which it was interrupted.

ADVICE AND TIPS

TIPS

Before loading the baskets, remove all food residues from the crockery and empty the glasses. **You do not need to rinse beforehand under running water.**

Arrange the crockery so that it is held in place firmly and does not tip over; and arrange the containers with the openings facing downwards and the concave/convex parts placed obliquely, thus allowing the water to reach every surface and flow freely.

Warning: lids, handles, trays and frying pans should not prevent the sprayer arms from rotating.

Place any small items in the cutlery basket.

Very soiled dishes and pans should be placed in the lower basket because in this sector the water sprays are stronger and allow a higher washing performance.

After loading the appliance, make sure that the sprayer arms can rotate freely.

UNSUITABLE CROCKERY

- Wooden crockery and cutlery.
- Delicately decorated glasses, artistic handicrafts and antique crockery. Their decorations are not resistant.
- Parts in synthetic material which do not withstand high temperatures.
- Copper and tin crockery.
- Crockery soiled with ash, wax, lubricating grease or ink.

The colours of glass decorations and aluminium/silver pieces can change and fade during the washing process. Some types of glass (e.g. crystal objects) can become opaque after a number of wash cycles too.

DAMAGE TO GLASS AND CROCKERY

- Only use glasses and porcelain guaranteed by the manufacturer as dishwasher safe.
- Use a delicate detergent suitable for crockery
- Collect glasses and cutlery from the dishwasher as soon as the wash cycle is over.

TIPS ON ENERGY SAVING

- When the household dishwasher is used according to the manufacturer's instructions, **washing tableware in a dishwasher usually consumes less energy and water than hand dishwashing.**
- In order to maximize dishwasher efficiency, it is recommended to **initiate the wash cycle once the dishwasher is fully loaded.** Loading the household dishwasher up to the capacity indicated by the manufacturer will contribute to energy and water savings. Information on the correct loading of tableware can be found in the Loading chapter. In case of partial loading, it is recommended to use a dedicated wash options if available (Half load/ Zone Wash/ Multizone), filling up only selected racks. Incorrect loading or overloading of the dishwasher may increase resources usage (such as water, energy and time, as well as increase noise level), reducing cleaning and drying performance.
- Manual pre-rinsing of tableware items leads to increased water and energy consumption and is not recommended.

HYGIENE

To avoid odour and sediment which can be accumulated in the dishwasher **please run a high-temperature program at least once a month.** Use a teaspoon of detergent and run it without loading to clean your appliance.

RESISTANCE TO FROST

If the appliance is placed in surroundings exposed to the risk of frost, it **must be drained completely.** Turn off the water tap, remove the inlet and outlet hoses, and let all the water drain away. **Make sure that the water softener is full of dissolved regeneration salt in the salt container,** to protect the appliance from temperatures of up to -20°C.

If the appliance was stored in frost conditions the appliance must remain at an ambient temperature of min. 5°C for **at least 24 hours** before the first run.

PROGRAMS TABLE

Program	Programs description	Drying phase	Natural-Dry	Available options *)	Duration of wash program (h: min)**)	Water consumption (litres/cycle)	Energy consumption (kWh/cycle)
Eco 50°	Program is suitable to clean normally soiled tableware, that for this use, it is the most efficient program in terms of its combined energy and water consumption, and that it is used to assess compliance with the EU Ecodesign legislation.	✓	✓		4:00	9.5	0.65
Rapid 45°	Program is recommended for limited amount of lightly-soiled dishes with no dried food residues. Does not include the drying phase.	-	✓		0:30 - 0:40	10.0 - 12.0	0.55 - 0.65
Crystals 45°	Program for delicate items, which are more sensitive to high temperatures, for example, glasses and cups.	✓	✓		1:40 - 1:50	12.5 - 16.5	0.95 - 1.20
Auto Intensive 65°	Automatic program for heavily soiled dishes and pans.	✓	✓		2:25 - 3:10	15.5 - 24.5	1.30 - 1.70
Auto Mixed 55°	Automatic program for normally soiled dishes with dried food residues.						
Auto Fast 50°	Automatic program for normally and lightly soiled dishes. The everyday cycle that ensure optimal cleaning and drying performance in shorter time.						
Prewash	Use to refresh crockery planned to be washed later. No detergent is to be used with this program.	-	✓		0:12	4.5	0.10
Self-Clean 65°	Program to be used to perform maintenance of the dishwasher, to be carried out only when the dishwasher is EMPTY using specific detergents designed for dishwasher maintenance.	-	-		1:15	11.0	1.10

ECO program data is measured under laboratory conditions according to European Standard EN 60436:2020. Note for Test Laboratories: For information on comparative EN testing conditions, please send an email to the following address: dw_test_support@europeanappliances.com
Pre-treatment of the dishes is not needed before any of the programs.

*) Not all options can be used simultaneously.

**) Values given for programs other than the program Eco are indicative only. The actual time may vary depending on many factors such as temperature and pressure of the incoming water, room temperature, amount of detergent, quantity and type of load, load balancing, additional selected options and sensor calibration. The sensor calibration can increase program duration by up to 20 min.

OPTIONS AND FUNCTIONS

OPTIONS can be selected/ deselected, after choosing the program, directly by pressing the corresponding button (if available - the indicator lights up) (see CONTROL PANEL). If an option is not compatible with the selected program (see PROGRAMS TABLE), the corresponding LED flashes rapidly 3 times and beeps will sound. The option will not be enabled. An option can change time or water or energy consumption for the program.

HALF LOAD - If there are not many dishes to be washed, HALF LOAD is used to save water, electricity or time, depending on the selected program.
Remember to reduce the amount of detergent.

SILENT - Suitable for night-time operation of the appliance. This option can be used to limit noise emissions during wash phases. It will increase cycle time depending on base cycle selection.

SANI RINSE - This option can be used to sanitize washed dishes. It will increase the final rinse temperature and add an antibacterial wash to the selected program. Ideal to clean crockery and feeding bottles. The dishwasher door must be kept shut for the entire duration of the program in order to guarantee a reduction of germs.

WARNING: the crockery and plates could be extremely hot at the end of the cycle.

POWERCLEAN PRO - Thanks to the additional power jets this option provides a more intensive and powerful wash in the lower rack, in the specific area. This option is recommended for washing pots and casseroles (please refer to the PowerClean Pro in loading section).

EXTRA DRY - The higher temperature during the final rinse and the extended drying phase allows for improved drying. The EXTRA DRY option results in the lengthening of the wash cycle.

DELAY - The start of the program may be delayed for a period of time between **0:30** and **24** hours.

1. Select the program and any desired options. Press the DELAY button (repeatedly) to delay the start of the program. Adjustable from 0:30 to 24 hours. Once the 24 hours setting is reached, press the DELAY another time to deactivate the DELAY function.

2. Press the START/Pause button and close the door within 4 sec. The timer will begin counting down.

3. Once this time has elapsed, the indicator light switches off and the program begins automatically.

The DELAY function cannot be set once a program has been started.

TIME ON THE FLOOR - A LED light projected on the floor indicates the time left to the end of the cycle. The light goes off every time the door is opened. The light goes off at the end of a cycle. This feature is active by default, but it is possible to deactivate it in the "SETTINGS MENU".

DESCALE - Alarm - Limescale accumulation was detected on internal components of the appliance. Check if the **Water Hardness Setting** is at the correct value and **salt** is present in the salt container (see **FIRST TIME USE**), then **use a descaling product** (WPro brand is recommended) with **Self-Clean program**. After a successful descaling, the icon will stop being displayed.

If the actions above are not performed, product performance will deteriorate. DESCAL warning will start blinking and «**dES**» alarm will appear on the display. If still no action is taken, the appliance will only allow a certain number of cycles to be started (indicated during «**dES**» alarm display) and then will be **BLOCKED** to prevent component damage, **with only the Self-Clean program available**. Performing a full descaling will unblock the product. In the case of extremely high amounts of limescale, descaling may have to be performed twice to be efficient.

NaturalDry - It is a convection drying system which automatically opens the door during/after the drying phase to ensure exceptional drying performance every day. The door opens at a temperature that is safe to your kitchen furniture, thus door will not be opened when the option of SANI RINSE is on.

As additional steam protection, specially designed protection foil is added together with the dishwasher.

To see how to mount protection foil please refer to the INSTALLATION GUIDE. This feature is active by default, but it is possible to deactivate it in the "SETTINGS MENU".

SENSING - When the sensor is detecting the soil level an animation appears in the display (around 20 min.) and the cycle duration is updated. SENSING is for the level of soiling on the dishes and is present for all cycles (excepting Eco) adjusting the program accordingly.

WATER TAP CLOSED - Alarm - Flashes, when there is no inlet water or water tap is closed.

LOADING THE RACKS

CAPACITY: 15 standard place-settings

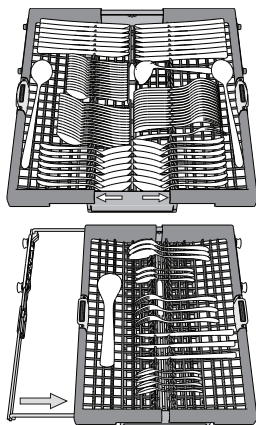
CUTLERY RACK

The third rack was designed to house the cutlery.

Arrange the cutlery as shown in the figure. A separate arrangement of the cutlery makes collection easier after washing and improves washing and drying performance.

Knives and other utensils with sharp edges must be positioned with the blades facing downwards.

The cutlery rack is equipped with two sliding side trays to make the most of the height of the space below and enable the loading of high items into the upper rack.

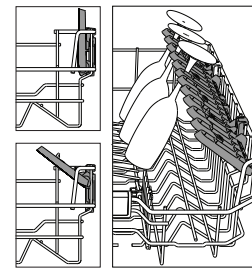


Foldable flaps with adjustable position

The side foldable flaps can be folded or unfolded to optimize the arrangement of crockery inside the rack. Wine glasses can be placed safely in the foldable flaps by inserting the stem of each glass into the corresponding slots.

Depending on the model:

- to unfold the flap there is needed to slide it up and rotate or release it from the snaps and pull it down.
- to fold the flap there is needed to rotate it and slide flap down or pull it up and attach flap to the snaps.

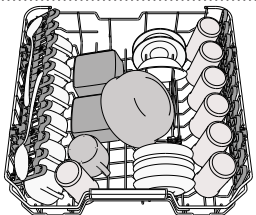


UPPER RACK

Load delicate and light dishes: glasses, cups, saucers, low salad bowls.

The upper rack has tip-up supports which can be used in a vertical position when arranging tea/ dessert saucers or in a lower position to load bowls and food containers.

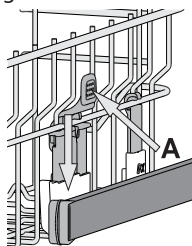
(loading example for the upper rack)



Adjusting the height of the upper rack

The height of the upper rack can be adjusted: a high position to place bulky crockery in the lower basket and low position to make the most of the tip-up supports by creating more space upwards and avoiding collision with the items loaded into the lower rack.

The upper rack is equipped with an **Upper Rack height adjuster** (see figure), without pressing the levers, lift it up by simply holding the rack sides, as soon as the rack is stable in its upper position. To restore to the lower position, press the levers **A** at the sides of the rack and move the basket downwards.



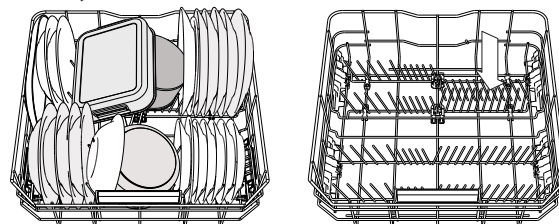
We strongly recommend that you do not adjust the height of the rack when it is loaded.

NEVER raise or lower the basket on one side only.

LOWER RACK

For pots, lids, plates, salad bowls, cutlery etc. Large plates and lids should ideally be placed at the sides to avoid interferences with the spray arm.

The lower rack has tip-up supports which can be used in a vertical position when arranging plates or in a horizontal position (lower) to load pans and salad bowls easily.



(loading example for the lower rack)

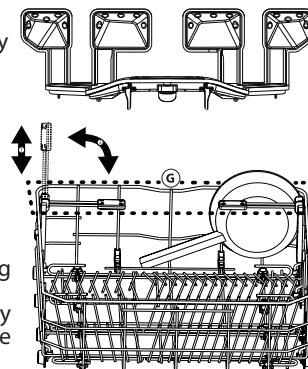
POWERCLEAN PRO

PowerClean Pro uses the special water jets in the rear of the cavity to wash more intensively the highly dirty items. The lower rack has a Space Zone, a special pull-out support in the rear of the rack that can be used to support frying pans or baking pans in an upright position, thus taking up less space.

Placing the pots/casseroles faced to the PowerClean Pro component please activate the **POWERCLEAN PRO** on the panel.

How to use the PowerClean Pro:

1. Adjust the PowerClean Pro area **G** folding down the rear plate holders to load pots.
2. Load pots and casseroles inclined vertically in the PowerClean Pro area. Pots have to be inclined towards the powerful water jets.



CARE AND MAINTENANCE

CLEANING THE FILTER ASSEMBLY

Regularly clean the filter assembly so that the filters do not clog and that the waste water flows away correctly.

Using the dishwasher with clogged filters or foreign objects inside the filtration system or spray arms may cause unit malfunction resulting in loss of performance, noisy work or higher resources usage.

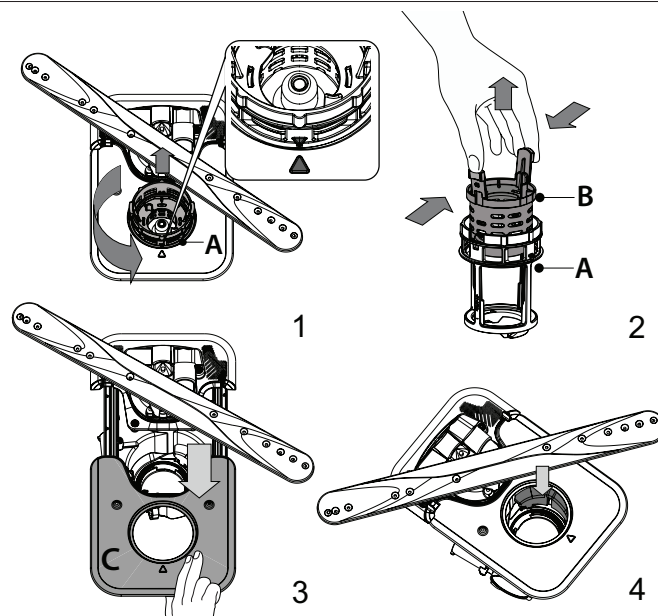
The filter assembly consists of three filters which remove food residues from the washing water and then recirculate the water.

The dishwasher must not be used without filters or if the filter is loose.

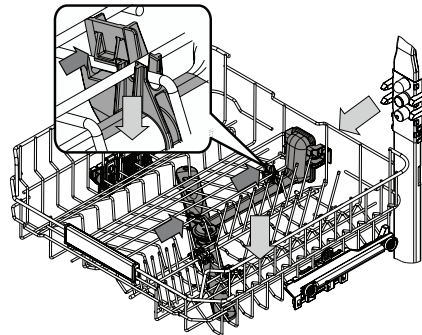
At least once per month or after every 30 cycles, check the filter assembly and if necessary clean it thoroughly under running water, using a non-metallic brush and following the instructions below:

1. Turn the cylindrical filter **A** in an anti-clockwise direction and pull it out (Fig 1). **It is important when reinstalling the filter that the two triangles shown on the zoom meet.**
2. Remove the cup filter **B** by exerting a slight pressure on the side flaps (Fig 2).
3. Slide out the stainless-steel plate filter **C** (Fig 3).
4. In case you find foreign objects (such as broken glass, porcelain, bones, fruit seeds etc.) **please remove them carefully.**
5. Inspect the trap and remove any food residues. **NEVER REMOVE** the wash-cycle pump protection (shown by an arrow) (Fig 4).

After cleaning the filters, replace the filter assembly and fix it in position correctly; this is essential for maintaining the efficient operation of the dishwasher.

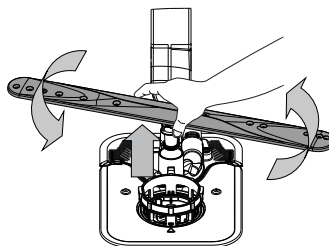


CLEANING THE SPRAY ARMS

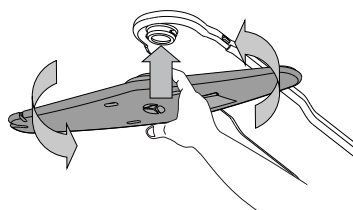


On occasions, food residue may become encrusted onto the spray arms and block the holes used to spray the water. It is therefore recommended that you check the arms from time to time and clean them with a small non-metallic brush.

To remove the upper spray arm you must remove it together with the manifold.



The lower spray arm may be removed by pulling it upwards and rotating it anti-clockwise. Mounting back the spray arm is by pulling it down and rotating it clockwise.



The top spray arm may be removed by pressing it up and then rotating it anti-clockwise. Mounting back the spray arm is by pulling it upwards and rotating it clockwise.

TROUBLESHOOTING

In case your dishwasher doesn't work properly, check if the problem can be solved by going through the following list. For other errors or issues please contact authorized After-sales Service whose contact details can be found in the warranty booklet. Spare parts will be available for a period of either up to 7 or up to 10 years, according to the specific Regulation requirements.

PROBLEMS	POSSIBLE CAUSES	SOLUTIONS
The salt indicator is lit	Salt reservoir is almost empty.	Refill the reservoir with salt (for more information - see <i>FILLING THE SALT RESERVOIR</i>). Check the water hardness setting if necessary (see <i>WATER HARDNESS TABLE</i>).
The salt indicator is blinking	Salt reservoir is empty.	Refill the reservoir with salt as soon as possible. Using the appliance without salt may cause damage to its internal components.
The rinse aid indicator is lit or blinking	Rinse aid dispenser is empty. (After refill the rinse aid indicator may remain lit for a short time).	Refill the dispenser with rinse aid (for more information - see <i>FILLING THE RINSE AID DISPENSER</i>).
Descale indicator is lit or blinking; "dES" alarm is displayed.	Limescale is accumulating on internal components of the appliance.	Descale the appliance immediately using the Self Clean program and a commercially available descaling product (see <i>OPTIONS AND FUNCTIONS</i>). Refill the reservoir with salt. Check the water hardness setting. If the appliance is not descaled, it will stop functioning.
The dishwasher won't start or does not respond to commands.	The appliance has not been plugged in properly.	Insert the plug into the socket.
	Power outage.	For safety reasons, the dishwasher will not restart automatically when power returns. Open dishwasher door, press START/Pause button and close the door within 4 seconds.
	The dishwasher door is not closed. NaturalDry pin is not pulled in.	Vigorously push the door until you hear the "click".
	A cycle is interrupted by door opening for more than 4 seconds.	Press START/Pause and close the door within 4 seconds.
The dishwasher won't drain. Display shows: F7 E3 or F9 E1	The filter is clogged with food residues or limescale	Clean the filter and descale the appliance (see <i>CLEANING THE FILTER ASSEMBLY and DESCALE INSTRUCTION</i>).
	The drain hose is kinked.	Check the drain hose (see <i>INSTALLATION INSTRUCTION</i>).
	The sink drain pipe is blocked.	Clean the sink drain pipe.
The dishwasher makes excessive noise.	Dishes are rattling against each other.	Position the crockery correctly (see <i>LOADING THE RACKS</i>).
	An excessive amount of foam is present.	The detergent has not been measured out correctly or it is not suitable for use in dishwashers (see <i>FILLING THE DETERGENT DISPENSER</i>). Restart the current cycle by switching OFF the dishwasher, then switch it on again, select a new program, press START/Pause and close the door within 4 seconds. Please do not add any detergent.
	Crockery has not been arranged properly.	Arrange the crockery correctly (see <i>LOADING THE RACKS</i>).
	The filter is clogged with food residues or limescale.	Clean the filter assembly (see <i>CARE AND MAINTENANCE</i>).
The dishes are not clean.	Crockery has not been arranged properly.	Arrange the crockery correctly (see <i>LOADING THE RACKS</i>).
	Spray arms cannot rotate freely, being hindered by the dishes.	Arrange the crockery correctly (see <i>LOADING THE RACKS</i>). Check that the upper rack is in the correct position and adjust (lift up) if necessary.
	The wash cycle is too gentle.	Select an appropriate wash cycle (see <i>PROGRAMS TABLE</i>).
	An excessive amount of foam is present.	The detergent has not been measured out correctly or it is not suitable for use in dishwashers (see <i>FILLING THE DETERGENT DISPENSER</i>).
	The cap on the rinse aid compartment has not been closed correctly.	Make sure the cap of the rinse aid dispenser is closed.
	The filter is clogged with food residues or limescale.	Clean the filter and descale the appliance (see <i>CLEANING THE FILTER ASSEMBLY</i>).
The salt reservoir is empty.	Fill the salt reservoir (see <i>FILLING THE SALT RESERVOIR</i>).	

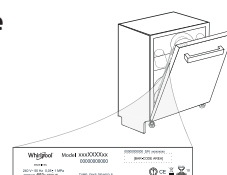
PROBLEMS	POSSIBLE CAUSES	SOLUTIONS
The dishwasher does not fill the water. The display shows: H2O and \emptyset is lit; acoustic alarm sounds.	No water in the water supply or the tap is closed.	Make sure there is water in the water supply and the water tap is open.
	The water inlet hose is kinked.	Check the inlet hose (see <i>INSTALLATION</i>). Open dishwasher door, press START/Pause button and close the door within 4 seconds.
The dishwasher finishes the cycle prematurely. The display shows: F8 E3	The screen in the water inlet hose is clogged; it is necessary to clean it.	Check and clean the screen in the water inlet hose. Open dishwasher door, press START/Pause button and close the door within 4 seconds.
	The filter is clogged with food residues or lime-scale.	Clean the filter and descale the appliance (see <i>CLEANING THE FILTER ASSEMBLY and DESCALING INSTRUCTION</i>).
	Drain hose positioned too low or siphoning into the home sewage system.	Check if the end of the drain hose is placed at the correct height (see <i>INSTALLATION</i>). Check for siphoning into the home sewage system, and install a siphon breaker/air admittance valve if necessary.
	An excessive amount of foam is present.	The detergent has not been measured out correctly or it is not suitable for use in dishwashers (see <i>FILLING THE DETERGENT DISPENSER</i>).
The dishes are not dried well.	Air in the water supply.	Check water supply for leaks or other issues letting air inside.
	Rinse aid is not present or the dosage is too low.	Make sure the rinse aid dispenser is filled (see <i>FILLING THE RINSE AID DISPENSER</i>). Multifunctional tablets only will not provide as good drying effects as the actual use of liquid rinse aid.
	The dishes have been unloaded after the door was opened automatically but before the actual cycle end.	Make sure the cycle has ended before starting to unload the dishes (see <i>DAILY USE</i>). For even better drying results, it is recommended to let the dishes sit inside the dishwasher with the door open for additional 15 minutes after the cycle ends.
	The dishes are sitting too flat.	If you notice puddles of water inside cavities of cups, mugs or bowls, try loading the dishes (especially in the upper rack) providing more inclination to let larger amounts of water drip down before drying starts.
	The selected cycle does not have the drying phase.	Please check in the <i>PROGRAMS TABLE</i> if the selected program is equipped in the drying phase. A cycle without the drying phase may not deliver desired drying efficiency, so it is recommended to change cycle selection for the one that has the drying phase.
Dishes and glasses have blue streaks or bluish tinges.	The dishes are made of non-stick or plastic.	Some water drops remaining on this type of material are normal.
Dishes and glasses are covered with lime-scale or a whitish film.	Rinse aid dosage is excessive.	Adjust the dosage to a lower setting.
	The salt reservoir is empty.	Refill the reservoir with salt as soon as possible. Using the appliance without salt may cause damage to its internal components.
	The water hardness setting is too low.	Increase the setting (see <i>WATER HARDNESS TABLE</i>).
	The cap of the salt reservoir is not properly closed.	Check and close the salt reservoir cap.
The dishwasher shows F8 E5	The rinse aid reservoir is empty or the rinse aid dosage is insufficient.	Refill the dispenser with rinse aid and check the dosage setting (for more information - see <i>FILLING THE RINSE AID DISPENSER</i>).
	Valve is blocked or faulty.	Close the water tap, if possible. Do not switch off the power supply. Call the service.



Policies, standard documentation, ordering of spare parts and additional product information can be found by:

- Using QR code and visiting our website: docs.bauknecht.eu
- Visiting our website: parts-selfservice.europeanappliances.com
- Alternatively, **contact our After-sales Service** (See phone number in the warranty booklet). When contacting our After-sales Service, please state the codes provided on your product's identification plate.

The model information can be retrieved using the QR-Code reported in the energy label. The label also includes the model identifier that can be used to consult the portal of the registry at <https://eprel.ec.europa.eu>





DANKE, DASS SIE SICH FÜR EIN BAUKNECHT PRODUKT ENTSCHEIDEN HABEN.
Für eine umfassendere Unterstützung melden Sie Ihr Gerät bitte an unter: www.bauknecht.eu/register

Diese Sicherheits- und Installationsanweisungen vor dem Gebrauch aufmerksam durchlesen. Weitere Informationen über Ihr Produkt sind auf folgender Website verfügbar: docs.bauknecht.eu heruntergeladen werden.

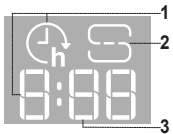
Denken Sie nach der Installation daran, sämtliche Teile zum Transportschutz aus dem Geschirrspüler zu entfernen.

BEDIENTAFEL



- EIN-AUS/Reset** Taste mit Anzeigelicht
- Eco-Programm**-Taste mit Anzeigelicht
- Schnell-Programm**-Taste mit Anzeigelicht/ **Vorwaschprogramm** - 3 s drücken
- Gläser-Programm**-Taste mit Anzeigelicht/ **Selbstreinigungsprogramm** - 3 s drücken
- Automatik-Programm**-Tasten mit Anzeigelichtern - **Auto-Intensiv 65°/ Auto-Gemischt 55°/ Auto-Schnell 50°**
- Anzeigelicht für **Salzbehälter** leer
- Anzeigelicht für **Klarspüler** leer
- Display**
- Programmnummer** und verbleibende **Zeitanzeige**
- Wasserhahn** zu Anzeigelicht
- ENTKALKEN** - Anzeigelicht
- Extra-Optionen-Tasten** mit Anzeigelichtern - **Halbe Füllmenge/ Leiser Betrieb/ Antibakterielle Spülung**
- PowerClean Pro-Optionstaste** mit Anzeigelicht
- Extra Trocken-Optionstaste** mit Anzeigelicht / **Einstellungen** - 3 s drücken
- Startvorbereitung-Optionstaste** mit Anzeigelicht
- START/Pause** - Taste mit Anzeigelicht

ANZEIGE AM BODEN



- Verzögerungszeit am Boden** – zeigt an, wie viel Zeit bis zum Programmstart bleibt, wenn die Verzögerungsoption gewählt wurde
- Salzbehälter leer** – Anzeigelicht am Boden
- Verbleibende Zeit am Boden** – zeigt an, wie viel Zeit bis zum Programmende bleibt

ERSTER GEBRAUCH

EINSTELLUNGSMENÜ

- Gerät mit der **EIN-AUS** -Taste einschalten.
- Die **Einstellungstaste** (Extra Trocken) 3 Sekunden lang gedrückt halten, bis Sie einen Piepton hören und das Display „SEt“ anzeigt.
- Nach einer Sekunde wird die erste verfügbare Einstellung (Buchstabe „h“) angezeigt.
- Drücken Sie die **Automatik-Programm** / **Extra-Optionen** -Tasten zum Durchblättern der Liste der verfügbaren Einstellungen (siehe Tabelle unten). Drücken Sie dann **START/Pause** , um den Wert der aktuell ausgewählten Einstellung zu ändern.
- Drücken Sie **Automatik-Programm** / **Extra-Optionen** , um den Wert zu ändern. Drücken Sie dann **START/Pause** , um den neuen Wert zu speichern.
- Zum Ändern einer weiteren Einstellung wiederholen Sie die Punkte 2 und 5.
- Drücken Sie **EIN-AUS** oder warten Sie 30 Sekunden, um das Menü zu verlassen.

- Den Trichter abnehmen und die Salzreste vom Öffnungsrand entfernen. Sicherstellen, dass der Deckel fest angeschraubt ist, so dass kein Spülmittel während dem Waschprogramm in den Behälter gelangt (dies könnte den Wasserenthärter irreparabel beschädigen).

Lassen Sie jedes Mal, sobald Sie das Nachfüllen des Salzbehälters beendet haben, ein Programm laufen, um Korrosion zu vermeiden.

Wasserhärte einstellen

Damit der Wasserenthärter perfekt arbeiten kann, muss die Wasserhärte je nach der aktuellen Wasserhärte in Ihrem Haus eingestellt werden. Diese Information erhalten sie bei Ihrem örtlichen Wasserversorger. Die werkseitige Einstellung ist „3“. Siehe **WASSERHÄRTE-TABELLE**.

Wasserhärte-Tabelle			
Stufe	°dH Deut. Härtegr.	°fH Französischer Härtegr.	°Clark Engl. Härtegr.
1 (Weich)	0 - 6	0 - 10	0 - 7
2 (Mittel)	7 - 11	11 - 20	8 - 14
3 (Durchschnittlich)	12 - 16	21 - 29	15 - 20
4 (Hart)	17 - 34	30 - 60	21 - 42
5 (Sehr hart)	35 - 50	61 - 90	43 - 62

Zum Ändern befolgen Sie die Anweisungen im Abschnitt „EINSTELLUNGSMENÜ“. **Verwenden Sie bitte nur Spezzalz für Geschirrspüler.** Nach dem Einfüllen des Salzes erlischt die SALZNACHFÜLLANZEIGE.

Wenn der Salzbehälter nicht gefüllt ist, könnten Kesselsteinablagerungen den Wasserenthärter und das Heizelement beschädigen. Die Verwendung von Salz wird bei jeder Art von Geschirrspülmittel empfohlen.

WASSERENTHÄRTUNG

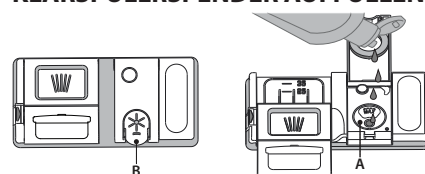
Der Wasserenthärter reduziert automatisch die Wasserhärte, verhindert Kesselsteinablagerungen am Heizelement und trägt somit zu einer höheren Reinigungsleistung bei.

Dieses System regeneriert sich mit Salz, daher ist es erforderlich, Salz in den Behälter zu füllen, wenn dieser leer ist.

Die Regenerierungshäufigkeit hängt von eingestellten Stufe für die Wasserhärte ab - die Regenerierung findet einmal alle 4-6 Eco-Zyklen bei Wasserhärte auf 3 statt. Der Regenerationsprozess findet zu Beginn des Programms mit zusätzlichem Frischwasser statt.

- Eine einzelne Regeneration verbraucht: ~3 l Wasser;
- Das Programm dauert bis zu 5 Minuten länger;
- Energieverbrauch unter 0,005 kWh.

KLARSPÜLERSPENDER AUFFÜLLEN



Klarspüler macht das TROCKNEN von Geschirr einfacher. Der Klarspülerspender **A** muss aufgefüllt werden, wenn das **KLARSPÜLER AUFFÜLLEN Anzeigelicht** auf der Bedienblende leuchtet.

SALZBEHÄLTER BEFÜLLEN

Mit der Verwendung von Salz werden KALKABLAGERUNGEN auf dem Geschirr und den funktionalen Komponenten des Geschirrspülers verhindert. Der Salzbehälter befindet sich im unteren Teil des Geschirrspülers (unter dem Unterkorb auf der linken Seite).

- DER SALZBEHÄLTER DARF NIE LEER SEIN!**
- Es ist wichtig, die Wasserhärte einzustellen.
- Salz muss eingefüllt werden, wenn auf der Bedienblende die Anzeileuchte der **SALZNACHFÜLLANZEIGE** aufleuchtet.



- Ziehen Sie den Unterkorb heraus und schrauben Sie den Salzbehälterdeckel gegen den Uhrzeigersinn ab.
- Setzen Sie den Trichter auf (siehe Abbildung) und füllen Sie den Behälter bis zum Rand mit Salz (ca. 0,5 kg), es ist normal, wenn etwas Wasser ausläuft.
- Nur beim ersten Mal: Befüllen Sie den Salzbehälter mit Wasser.**

- Den Behälter **B** durch Drücken und Anheben der Zunge am Deckel öffnen.
- Den Klarspüler vorsichtig bis zur maximalen Füllstandsmarkierung (110 ml) an der Füllöffnung einfüllen und ein Überlaufen vermeiden. Andernfalls sofort mit einem trockenen Tuch abwischen.
- Den Deckel schließen bis er einrastet.

Füllen Sie den Klarspüler NIEMALS direkt ins Innere des Geschirrspülers.

Klarspülerdosierung

Sollte das Trockenergebnis unzufrieden stellend sein, kann die Klarspülerdosierung neu eingestellt werden.

Zum Ändern befolgen Sie die Anweisungen im Abschnitt „EINSTELLUNGSMENÜ“.

Die Klarspülerstufe kann auf NULL eingestellt werden. In diesem Fall wird kein Klarspüler abgegeben. **Die Kontrollleuchte zur ANZEIGE DES FEHLLENDEN KLARSPÜLERS** leuchtet nicht mehr auf.

Je nach Gerätemodell können bis max. **6** Stufen eingestellt werden.

- Wenn Sie bläuliche Streifen auf dem Geschirr sehen, stellen Sie eine niedrigere Zahl ein (0-3).
- Wenn Wassertropfen oder Kalkablagerungen auf dem Geschirr sind, eine höhere Zahl einstellen (4-5).

TÄGLICHER GEBRAUCH

1. ANSCHLUSS AN DIE WASSERLEITUNG PRÜFEN

Sicherstellen, dass der Geschirrspüler an die Wasserleitung angeschlossen und der Wasserhahn auf ist.

2. SCHALTEN SIE DEN GESCHIRRSPÜLER EIN

Tür öffnen und **EIN-AUS**-Taste drücken.

3. KÖRBE BELADEN (siehe KÖRBE BELADEN)

4. EINFÜLLEN DES SPÜLMITTELS

5. PROGRAMM WÄHLEN UND DAS PROGRAMM ANPASSEN

Das am besten geeignete Programm je nach Besteckart und Verschmutzungsgrad (siehe PROGRAMMBESCHREIBUNG) durch Drücken der gewählten **PROGRAMM**-Taste auswählen. Die gewünschten Optionen auswählen (siehe OPTIONEN UND FUNKTIONEN). Nicht alle Optionen sind mit allen Programmen kompatibel.

6. START

Starten Sie das Spülprogramm mit der Taste **START/Pause** (LED leuchtet) und schließen Sie die Tür innerhalb von 4 Sek. Bei Programmstart ertönt ein einzelner Piepton. Wenn die Tür nicht innerhalb von 4 Sek. geschlossen wurde, ertönt der akustische Alarm. Öffnen Sie in diesem Fall die Tür, drücken Sie die Taste **START/Pause** und schließen Sie die Tür erneut innerhalb von 4 Sekunden.

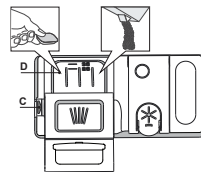
7. ENDE DES SPÜLPROGRAMMS

Das Ende des Spülprogramms wird durch Pieptöne angegeben und auf dem Display erscheint **END** (ENDE). Die Tür öffnen und das Gerät mit der **EIN-AUS**-Taste ausschalten.

Vor Entnahme des Bestecks einige Minuten warten - um Verbrennungen zu vermeiden. Die Körbe entladen, mit dem Unteren beginnen.

EINFÜLLEN DES SPÜLMITTELS

Zum Öffnen des Spülmittelbehälters den Öffnungsmechanismus C drücken. Füllen Sie das Spülmittel ausschließlich in das trockene Fach D ein. Die für den Vorspülgang benötigte Spülmittelmenge wird direkt in den Geschirrspüler gegeben.



- Hinsichtlich der Dosierung verweisen wir auf die zuvor erwähnte Information, in der die richtige Menge angegeben ist. Im Fach D sind Anzeigen die bei der Spülmitteldosierung helfen.
- Entfernen Sie eventuelle Spülmittelrückstände von den Kanten der Kammern und schließen Sie den Deckel so, dass er einrastet.
- Schieben Sie den Deckel der Spülmittelkammer zum Schließen nach oben, bis er einrastet.

Die Spülmittelkammer öffnet sich automatisch zum richtigen Zeitpunkt des jeweils gewählten Programms.

Die Verwendung von Reinigungsmitteln, die nicht für Geschirrspüler bestimmt sind, kann zu Fehlfunktionen oder Schäden am Gerät führen.

ÄNDERN EINES LAUFENDEN PROGRAMMS

Wenn ein falsches Programm ausgewählt wurde, kann es geändert werden, wenn es gerade erst gestartet wurde. **RÜCKSETZEN** der Maschine: die **EIN-AUS**-Taste drücken und länger als 3 s gedrückt halten, um die Maschine auszuschalten. **Das Bedienfeld zeigt "0:01"**. Schließen Sie die Tür und warten Sie, bis der Waschgang «Schleudern und abpumpen» beendet ist (rund 1 Minute). Öffnen Sie die Tür und schalten Sie die Maschine mit der **EIN-AUS**-Taste wieder ein. Wählen Sie das neue Spülprogramm und die gewünschten Optionen aus. Das Spülprogramm durch Drücken der Taste **START/Pause** starten und die Tür innerhalb von 4 s schließen.

HINZUFÜGEN VON WEITEREM GESCHIRR

Ohne die Maschine auszuschalten, die Tür erst leicht öffnen, um zu verhindern, dass Wasser herausspritzt (**START/Pause** LED beginnt zu blinken) (**Vorsicht!: Heißer Dampf!**) und das Geschirr in den Geschirrspüler geben. Die Taste **START/Pause** drücken und innerhalb von 4 Sek. die Tür schließen; das Programm läuft automatisch weiter, wo es unterbrochen wurde.

VERSEHENTLICHE UNTERBRECHUNGEN

Wird während des Spülgangs die Gerätetür geöffnet, oder sollte ein Stromausfall stattfinden, wird der Spülgang unterbrochen. **NUR, WENN SIE die START/Pause-Taste DRÜCKEN** und die Tür innerhalb von 4 s schließen, läuft das Programm automatisch weiter, wo es unterbrochen wurde.

HINWEISE UND TIPPS

EMPFEHLUNGEN

Bevor Sie das Geschirr in den Geschirrspüler einräumen, befreien Sie es von Speiserückständen und entleeren Sie Gläser und Behälter von Flüssigkeitsresten. **Es ist nicht notwendig, das Geschirr unter fließendem Wasser vorzuspülen.**

Stellen Sie das Geschirr so ein, dass es fest steht und nicht umfallen kann. Behälter müssen mit der Öffnung nach unten eingestellt werden und hohle oder gewölbte Teile müssen schräg stehen, damit das Wasser alle Oberflächen erreicht und dann abfließen kann.

Achtung : Achten Sie darauf, dass Deckel, Griffe, Töpfe und Tablett die Drehung der Sprüharme nicht behindern. Stellen Sie kleine Gegenstände in den Besteckkorb. Stark verschmutztes Geschirr und Töpfe sollten in dem Unterkorb untergebracht werden, da in diesem Bereich die Wasserstrahlen stärker sind und eine höhere Spüleistung garantieren. Stellen Sie nach Einräumen des Geschirrs sicher, dass sich die Sprüharme frei bewegen können.

UNGEEIGNETES GESCHIRR

- Besteck und Geschirr aus Holz.
- Empfindliche Dekorgläser, handgemachte Teller und antikes Geschirr. Die Dekore sind nicht spülmaschinenfest.
- Nicht temperaturbeständige Kunststoffteile.
- Geschirr aus Kupfer und Zinn.

Mit Asche, Wachs, Schmieröl oder Tinte verschmutztes Geschirr. Glasdekore, Aluminium- und Silberteile können während des Spülgangs die Farbe verändern und ausbleichen. Auch einige Glasarten (z.B. Kristallgegenstände) können nach mehreren Spülgängen matt werden.

SCHÄDEN AN GLAS UND GESCHIRR

- Spülen Sie nur Gläser und Geschirr in Ihrem Geschirrspüler, die vom Hersteller als spülmaschinenfest ausgezeichnet sind.
- Verwenden Sie ein Feinspülmittel für Geschirr.
- Nehmen Sie Gläser und Besteck so bald wie möglich nach Ablauf des Programms aus der Spülmaschine.

ENERGIESPARTIPPS

- Sofern man die Herstelleranweisungen beim Einsatz beachtet, **verbraucht das Waschen von Geschirr im Geschirrspüler in der Regel WENIGER ENERGIE und Wasser als Handspülen.**
- Um die Effizienz des Geschirrspülers zu maximieren, empfiehlt es sich, **das Spülprogramm bei voll beladenem Gerät zu starten.** Wenn der Geschirrspüler bis zur vom Hersteller angegebenen Kapazität beladen wird, hilft dies, Energie und Wasser zu sparen. Angaben über die korrekte Beladung von Geschirr finden Sie im Kapitel BELADEN DER KÖRBE. Bei Teilbeladung empfiehlt es sich, die speziellen Spülprogramme (Halbe Beladung / Zone Wash / Multizone) zu verwenden und nur die entsprechenden Körbe zu beladen. Bei einer fehlerhaften Beladung oder Überladung des Geschirrspülers könnten mehr Ressourcen verbraucht (z. B. Wasser, Energie und Zeit), der Geräuschpegel erhöht und die Reinigungs- und Trocknungsleistung verringert werden.
- Das manuelle Vorspülen von Geschirr führt zu erhöhtem Wasser- und Energieverbrauch und wird nicht empfohlen.

HYGIENE

Um Gerüche und Ablagerung, die sich in dem Geschirrspüler ansetzen können zu vermeiden, **bitte mindestens einmal monatlich ein Hochtemperaturprogramm laufen lassen.** Einen Teelöffel Spülmittel verwenden und ohne Geschirr laufen lassen, um Ihr Gerät zu reinigen.

FROSTSICHERHEIT

Steht das Gerät in einem frostgefährdeten Raum, **so muss es vollständig von Wasserentleert werden.** Wasserhahn schließen, Zu- und Abflussschlauch lösen und das gesamte Wasser abpumpen. **Darauf achten, dass der Wasserenthärter mit gelöstem Regeneriersalz im Regeneriersalzbehälter gefüllt ist;** dies stellt einen wirksamen Geräteschutz gegen Temperaturen bis zu -20°C dar. Wenn das Gerät unter frostigen Bedingungen gelagert wurde, muss das Gerät vor dem ersten Spülgang **mindestens 24 Stundenlang** bei einer Umgebungstemperatur von min. 5 °C stehen bleiben.

PROGRAMMTABELLE

Pro-gramm	Programmbeschreibung	Trocken- phase	NaturalDry	Verfügbare Zusatzfunktionen *)	Programm- dauer (Std:Min)**	Wasser- verbrauch (Liter/ Zyklus)	Energie- verbrauch (kWh/ Zyklus)
Eco	Eco 50° - Das ECO-Programm eignet sich, um normal verschmutztes Geschirr zu reinigen. In Bezug auf den kombinierten Energie- und Wasserverbrauch ist es das effizienteste Programm, das auch zur Prüfung der Einhaltung der Ökodesign-Richtlinie verwendet wird.	✓	✓		4:00	9,5	0,65
	Rapid 45° - Das Programm wird für eine begrenzte Menge an leicht verschmutztem Geschirr ohne angetrocknete Lebensmittelrückstände empfohlen. Es umfasst keinen Trockengang.	-	✓		0:30 - 0:40	10,0 - 12,0	0,55 - 0,65
	Glas 45° - Programm für empfindliches Geschirr, das empfindlicher auf hohe Temperaturen ist, zum Beispiel Gläser und Becher.	✓	✓		1:40 - 1:50	12,5 - 16,5	0,95 - 1,20
	Auto Intensiv 65° - Automatisches Programm für stark verschmutztes Geschirr und Töpfe.	✓	✓		2:25 - 3:10	15,5 - 24,5	1,30 - 1,70
	Auto Gemischt 55° - Automatisches Programm für normal verschmutztes Geschirr mit angetrockneten Lebensmittelrückständen.	✓	✓		1:20 - 3:00	7,5 - 19,5	0,75 - 1,20
	Auto Schnell 50° - Automatisches Programm für normal und leicht verschmutztes Geschirr. Täglicher Zyklus, der optimale Reinigungs- und Trockenleistung in kürzerer Zeit garantiert.	✓	✓		1:00 - 1:50	7,5 - 15,5	0,70 - 1,10
	Vorwäsche - Verwendet, um Geschirr einzuweichen, das später gespült werden soll. Für dieses Programm wird kein Spülmittel verwendet.	-	✓		0:12	4,5	0,10
	Selbstreinigend 65° - Programm, das für die Pflege des Geschirrspülers zu verwenden ist. Es ist nur bei LEEREM Geschirrspüler und mit speziellen Reinigungsmitteln für die Pflege des Geschirrspülers auszuführen.	-	-		1:15	11,0	1,10

Die ECO-Programmdaten sind Labormessdaten, die gemäß der europäischen Vorschrift EN 60436:2020 erfasst wurden. Hinweis für die Prüflabors: Informationen hinsichtlich der Bedingungen des EN-Vergleichstests sind unter nachfolgender Adresse anzufordern: dw_test_support@europeanappliances.com

Eine Vorbehandlung des Geschirrs ist vor keinem Programm erforderlich.
 *) Nicht alle Optionen können gleichzeitig verwendet werden.
 **) Werte, die für andere Programme als das ECO-Programm angegeben werden, sind nur Richtwerte. Die aktuelle Zeit kann auf Grundlage von mehreren Faktoren, wie Temperatur und Druck des eintretenden Wassers, Raumtemperatur, Spülmittelmenge, Menge und Art der Beladung, Lastausgleich, zusätzlich gewählte Optionen und Sensoreichung variieren. Die Sensoreichung kann die Programmdauer bis zu 20 Min. erhöhen.

OPTIONEN UND FUNKTIONEN

OPTIONEN können nach Auswahl des Programms direkt durch Drücken der jeweiligen Taste gewählt bzw. abgewählt werden (falls vorhanden - die Anzeige leuchtet auf) (siehe BEDIENFELD). Wenn eine Option nicht mit dem ausgewählten Programm kompatibel ist (siehe PROGRAMMTABELLE), blinken die entsprechenden LED 3 Mal schnell und ein Piepton ertönt. Die Option wird nicht aktiviert. Eine Option kann Zeit, Wasser oder Stromverbrauch für das Programm ändern.

HALBE FÜLLMENGE - Haben Sie nur wenig Geschirr zu spülen, wählen Sie HALBE FÜLLMENGE. Sie sparen Wasser, Strom oder Zeit, je nach gewähltem Programm. **Denken Sie daran, die Spülmittelmenge zu verringern.**

LEISER BETRIEB - Geeignet für den Nachtbetrieb des Gerätes. Diese Option kann verwendet werden, um die Geräuschemissionen während der Spülgänge zu beschränken. Sie erhöht die Zykluszeit abhängig von der Auswahl des Basisprogramms.

ANTIBAKTERIELLE SPÜLUNG - Diese Option kann verwendet werden, um gewaschenes Geschirr zu desinfizieren. Dabei wird die Spültemperatur am Ende erhöht und antibakterielles Waschen zu dem ausgewählten Programm zugefügt. Ideal zum Reinigen von Geschirr und Babyflaschen. Die Geschirrspülertür muss während des gesamten Programms geschlossen bleiben, um eine Verringerung der Keime zu sichern.
WARNUNG: das Geschirr und die Teller können bei Programmende sehr heiß sein.

POWERCLEAN PRO - Mit den zusätzlichen Powerdüsen bietet diese Option im dafür vorgesehenen Bereich im Unterkorb einen intensiveren und stärkeren Spülvorgang. Diese Zusatzfunktion ist ideal zum Reinigen von Töpfen und Brättern (Beachten Sie bitte den PowerClean Pro Beladungsbereich).

EXTRA TROCKEN - Die höhere Temperatur während des letzten Spülgangs sowie die verlängerte Trockenphase gestatten eine verbesserte Trocknung. Die Option EXTRA TROCKEN verlängert die Programmdauer.

NaturalDry - das ist ein Heißlufttrocknungssystem, das die Tür während/nach der Trockenphase automatisch öffnet, um täglich hervorragende Trockenleistung sicherzustellen. Die Tür öffnet sich bei einer für Ihre Küchenmöbel sicheren Temperatur, daher wird die Tür nicht geöffnet, wenn die Option ANTIBAKTERIELLE SPÜLUNG eingeschaltet sind. Als zusätzlicher Dampfschutz wird dem Geschirrspüler eine speziell entwickelte Schutzfolie beigelegt.
 Für die Montage der Schutzfolie siehe INSTALLATIONSANLEITUNG. Diese Funktion ist standardmäßig aktiviert, aber sie kann in «EINSTELLUNGSMENÜ» deaktiviert werden.

STARTVORWAHL - Der Programmstart kann um eine Zeit von 0:30 bis 24 Stunden verzögert werden.

1. Das Programm und die gewünschten Optionen auswählen. Die STARTVORWAHL-Taste (mehrfach) drücken, um den Programmstart zu verzögern. Einstellbar von 0:30 bis 24 Stunden. Sobald die 24-Stunden-Einstellung erreicht ist, drücken Sie noch einmal STARTVORWAHL, um die STARTVORWAHL-Funktion zu deaktivieren.
2. Drücken Sie die Taste START/Pause-Taste und schließen Sie die Tür innerhalb von 4 Sekunden: die Zeitschaltuhr beginnt mit der Rückzählung.
3. Nach Ablauf dieser Zeit, schaltet sich das Anzeigelicht aus und das Programm beginnt automatisch.

Bei bereits in Gang gesetztem Programm ist eine STARTVORWAHL nicht mehr möglich.

ZEIT AM BODEN - Ein auf den Boden projiziertes LED-Licht zeigt die bis zum Ende des Zyklus verbleibende Zeit an. Das Licht geht aus, sobald die Tür geöffnet wird. Das Licht erlischt am Ende eines Programms. Diese Funktion ist standardmäßig aktiv, sie kann jedoch im „EINSTELLUNGSMENÜ“ deaktiviert werden.

ENTKALKEN - Alarm - Es wurden Kalkablagerungen auf Innenbauteilen des Geräts festgestellt. Prüfen Sie, ob die **Wasserhärteeinstellung** auf dem korrekten Wert und Salz im Salzbehälter vorhanden ist (siehe ERSTER GEBRAUCH). **Verwenden Sie dann ein Entkalkungsmittel** (die Marke WPPro wird empfohlen) mit dem **Selbstreinigungsprogramm**. Nach einer erfolgreichen Entkalkung wird das Symbol nicht mehr angezeigt. Falls oben genannte Maßnahmen nicht ausgeführt werden, verschlechtert sich die Produktleistung. Die «Entkalken» Warnung beginnt zu blinken und der «dES» Alarm erscheint auf dem Display. Wird weiter nicht unternommen, gestattet das Gerät nur den Start einer bestimmten Anzahl von Zyklen (während der «dES» Alarmanzeige angeben) und wird dann **GESPERRT**, um eine Beschädigung von Bauteilen zu vermeiden. **Nur das Selbstreinigungsprogramm ist verfügbar.** Die Ausführung einer vollständigen Entkalkung hebt die Sperre des Produktes auf. Im Fall extrem großer Kalkmengen kann es erforderlich sein, das Entkalken zweimal auszuführen, damit es wirkt.

ERKENNUNG - Wenn der Sensor den Grad der Verschmutzung erfasst, wird im Display eine Animation angezeigt (etwa 20 Minuten) und die Programmzeit aktualisiert. Sensing (Erkennung) erkennt die Stärke der Verschmutzung des Geschirrs und passt das Programm entsprechend an. Es ist für alle Zyklen (ausgenommen Eco (Öko)) verfügbar.

WASSERHAHN ZU - Alarm - Blinkt, wenn kein Wasser einströmt oder wenn der Wasserhahn zu ist.

KÖRBE BELADEN

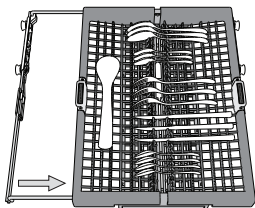
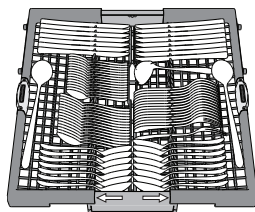
FASSUNGSVERMÖGEN: 15 Maßgedecke

BESTECKSCHUBLADE

Die dritte Schublade wurde für das Hineinlegen von Besteck entwickelt. Platzieren Sie das Besteck wie abgebildet. Eine getrennte Anordnung des Bestecks macht das Sortieren nach dem Spülen einfacher und verbessert die Spül- und Trockenleistung.

Messer und andere Küchenutensilien mit scharfen Spitzen sind mit nach unten gerichteten Schneiden einzuordnen.

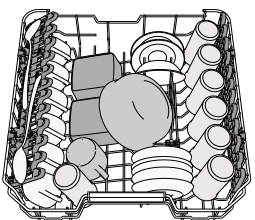
Der Besteckkorb hat zwei seitlichen Schubladen, um die Höhe des darunter liegenden Bereichs bestmöglich zu nutzen und das Laden von hohen Teilen in den Unterkorb zu ermöglichen.



OBERKORB

Hier sortieren Sie empfindliches und leichtes Geschirr ein: Gläser, Tassen, kleine Teller, flache Schüsseln. Der Oberkorb verfügt über klappbare Halterungen, die in vertikaler Stellung für Untertassen oder Dessertteller oder in einer tieferen Stellung für Schüsseln und sonstige Behältnisse verwendet werden können.

(Sortierbeispiel für den Oberkorb)



Höheneinstellung des Oberkorbes

Der Oberkorb kann in der Höhe verstellt werden: stellen Sie ihn in die oberste Position, wenn Sie großes Geschirr in den Unterkorb einräumen wollen. Wenn Sie eher die klappbaren Bereiche nutzen wollen, dann stellen Sie ihn in die untere Position. Somit vermeiden Sie Zusammenstoßen mit dem Geschirr im Unterkorb.

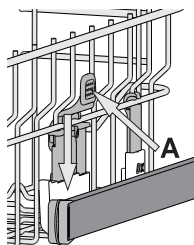
Der Oberkorb ist mit einem **Oberkorb Höhenversteller** (siehe Abbildung) ausgestattet.

Ohne Drücken der Hebel kann er einfach durch Heben der Korbseiten angehoben werden, sobald der Korb stabil in seiner unteren Stellung ist.

Um den Korb zurück in die untere Stellung zu bringen, drücken Sie die Hebel **A** an den Seiten des Korbs und schieben Sie ihn nach unten.

Es empfiehlt sich, die Höhe des Oberkorbes bei leerem Korb zu regulieren.

Heben oder senken Sie den Korb NIEMALS nur an einer Seite.



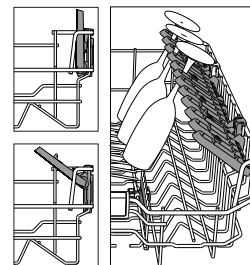
Klappbare Klappen mit verstellbarer position

Die seitlich, klappbaren Ablagen können ein- oder aufgeklappt werden, um die Anordnung des Geschirrs im Korb zu optimieren. Stielgläser können an den Ablagen stabilisiert werden, indem sie mit dem Stiel in die vorgesehene Aussparung gestellt werden.

Je nach Modell:

- Zum Ausklappen der Ablagen, müssen diese nach oben geschoben und gedreht oder aus den Schnappern gelöst und nach unten gezogen werden.

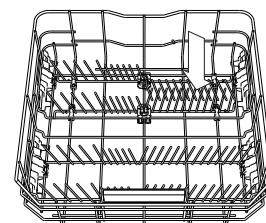
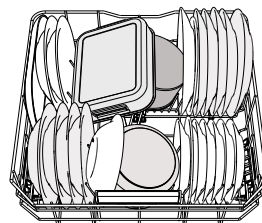
- Zum Einklappen der Ablagen, müssen diese gedreht und nach unten geschoben oder nach oben gezogen und an den Schnappern befestigt werden.



UNTERKORB

Für Töpfe, Deckel, Teller, Salatschüsseln, Besteck usw. Große Teller und Deckel sollten idealerweise an die Seiten gelegt werden, um nicht mit dem Sprüharm in Kontakt zu kommen.

Der Unterkorb verfügt über klappbare Ablagen, die in vertikaler Stellung für Teller oder in horizontaler (niedriger) Position für Pfannen und Salatschüsseln verwendet werden können.



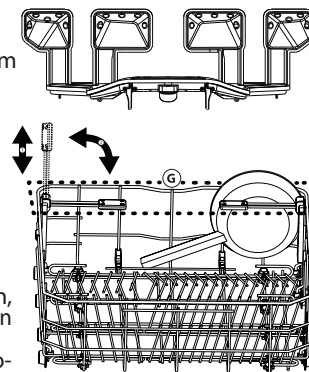
(Sortierbeispiel für den Unterkorb)

POWERCLEAN PRO

Bei PowerClean Pro sorgen spezielle Wasserdüsen hinten im Gerät für eine verstärkte Reinigung von stark verschmutztem Geschirr. Der Unterkorb hat eine Raumzone, eine spezielle Halterung zum Herausziehen an der Korbhinterseite, welche benutzt werden kann um Pfannen oder Backbleche in senkrechter Position zu halten, und so weniger Raum zu beanspruchen. Wenn die Töpfe/Bräter in Richtung PowerClean Pro eingelegt werden, bitte **POWERCLEAN PRO** auf der Bedienblende aktivieren.

Verwendung von PowerClean Pro:

1. Passen Sie PowerClean Pro-Bereich **G** an, indem Sie die hinteren Tellerhalterungen herunterklappen, um Töpfe einzuladen.
2. Laden Sie Töpfe und Bräter senkrecht im PowerClean Pro-Bereich ein. Die Töpfe müssen mit der offenen Seite zu den Power-Sprühdüsen geneigt sein.



PFLEGE UND WARTUNG

REINIGUNG DER FILTEREINHEIT

Die Filtereinheit regelmäßig reinigen, damit die Filter nicht verstopfen und das Abwasser korrekt abfließen kann.

Wenn die Filter beim Einsatz des Geschirrspülers verstopft sind oder falls Fremdkörper im Filtersystem oder in den Spülarmen gelangen, könnten Störungen im Gerät auftreten, was zu Leistungseinbußen, lautem Betrieb oder höherer Ressourcennutzung führt.

Die Filtereinheit setzt sich aus drei Filtern zusammen, die Spülwasser reinigen, von Speiseresten befreien und wieder in Umlauf bringen.

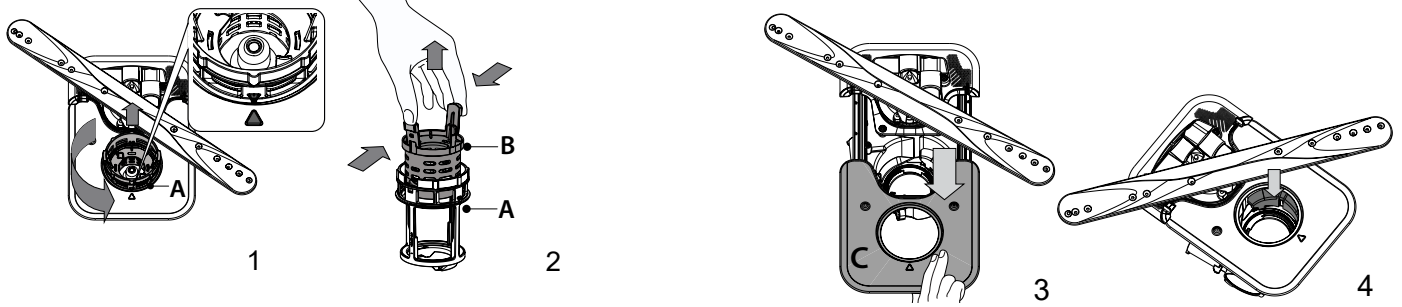
Der Geschirrspüler darf nie ohne Filtersiebe oder mit ausgehängten Filtern in Betrieb genommen werden.

Kontrollieren Sie einmal monatlich oder nach 30 Zyklen die Filtersiebgruppe. Bei Bedarf ist diese sorgfältig unter laufendem Wasser auszuspülen. Nehmen Sie hierzu ein kleines Bürstchen (das nicht aus Metall sein darf) zu Hilfe.

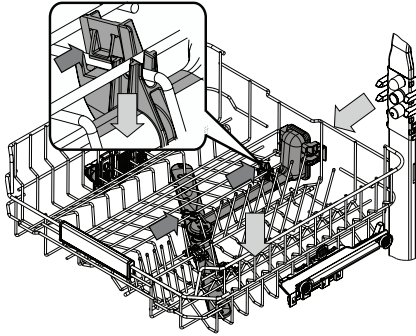
Gehen Sie wie folgt vor:

1. Drehen Sie das zylinderförmige Filtersieb **A** gegen den Uhrzeigersinn heraus (Abb. 1). **Beim Wiedereinbau des Filters müssen die beiden größer abgebildeten Dreiecke zueinander ausgerichtet sein.**
2. Ziehen Sie den Siebbecher **B** durch leichten Druck auf die seitlichen Flügel heraus (Abb. 2).
3. Nehmen Sie den Stahl-Siebteller **C** ab (Abb. 3).
4. Falls Sie Fremdkörper (wie Glasscherben, Porzellan, Knochen, Fruchtsamen usw.) finden, **entfernen Sie diese bitte sorgfältig.**
5. Kontrollieren Sie den Hohlraum und befreien Sie diesen von eventuellen Speiseresten. Das Spülpumpenschutzteil (siehe Pfeil) **NICHT ABGE-NOMMEN WERDEN** (Abb. 4).

Setzen Sie die Filtereinheit nach der Reinigung der Filtersiebe wieder korrekt in ihren Sitz ein, dies ist äußerst wichtig, um eine ordnungsgemäße Betriebsweise des Geschirrspülers zu gewährleisten.

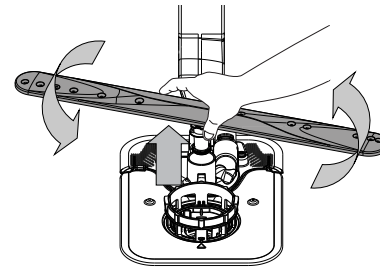


REINIGUNG DER SPRÜHARME

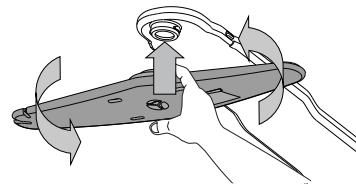


Es kann vorkommen, dass Speisereste an den Sprüharmen hängen bleiben und die Wasserdüsen verstopfen. Prüfen Sie die Sprüharme daher regelmäßig und reinigen Sie sie bei Bedarf mit einer Kunststoffbürste.

Zum Entfernen des oberen Sprüharms müssen sie diesen zusammen mit dem Anschlussstück entfernen.



Um den unteren Sprüharm abzunehmen, diesen nach oben ziehen und gegen den Uhrzeigersinn drehen. Der Sprüharm wird wieder eingebaut, indem er nach unten gezogen und im Uhrzeigersinn gedreht wird.



Um den oberen Sprüharm abzunehmen, diesen nach oben drücken und gegen den Uhrzeigersinn drehen. Der Sprüharm wird wieder eingebaut, indem er nach oben gezogen und im Uhrzeigersinn gedreht wird.

LÖSEN VON PROBLEMEN

Falls Ihr Geschirrspüler nicht richtig funktioniert, versuchen Sie, das Problem anhand der folgenden Liste zu beheben. Für andere Fehler oder Probleme wenden Sie sich bitte an den autorisierten Kundendienst, dessen Kontaktdaten im Garantieheft aufgeführt sind. Ersatzteile werden für einen Zeitraum von entweder bis zu 7 oder bis zu 10 Jahren verfügbar sein, je nach den spezifischen Anforderungen der Verordnung.

STÖRUNGEN	MÖGLICHE URSACHEN	LÖSUNG
Regeneriersalzanzeige leuchtet	Der Salzbehälter ist fast leer.	Befüllen Sie den Behälter mit Salz (weitere Informationen – siehe SALZBEHÄLTER BEFÜLLEN). Prüfen Sie die bei Bedarf die Wasserhärteeinstellung (siehe WASSERHÄRTE-TABELLE).
Regeneriersalzanzeige blinkt	Salzbehälter ist leer.	Den Behälter sobald wie möglich mit Salz nachfüllen. Der Gebrauch des Geräts ohne Salz kann Schäden an seinen Innenbauteilen verursachen.
Klarspüleranzeige leuchtet auf oder blinkt	Klarspülbehälter ist leer. (Nach dem Auffüllen kann es kurze Zeit dauern, bis die Klarspüleranzeige erlischt).	Befüllen Sie den Behälter mit Klarspüler (weitere Informationen – siehe KLARSPÜLERSPENDER AUF-FÜLLEN).
Entkalken-Anzeige leuchtet auf oder blinkt; der „dES“ Alarm wird angezeigt.	Kalk lagert sich an Innenbauteilen des Geräts ab.	Entkalken Sie das Gerät sofort mit dem Selbstreinigend-Programm und einem handelsüblichen Entkalkungsmittel (siehe OPTIONEN UND FUNKTIONEN). Befüllen Sie den Behälter mit Salz. Prüfen Sie die Wasserhärteeinstellung. Wird das Gerät nicht entkalkt, funktioniert es nicht mehr.
Die Spülmaschine startet nicht oder reagiert nicht auf die Bedienungseingaben.	Das Gerät wurde nicht richtig eingesteckt.	Schließen Sie den Netzstecker an.
	Stromausfall.	Aus Sicherheitsgründen wird der Geschirrspüler nicht automatisch neu gestartet, wenn die Stromversorgung wiederhergestellt wird. Öffnen Sie die Tür des Geschirrspülers, drücken Sie die Taste START/Pause und schließen Sie die Tür erneut innerhalb von 4 Sekunden.
	Die Gerätetür schließt nicht. NaturalDry Pin ist nicht eingezogen.	Drücken Sie die Tür energisch, bis ein „Klicklaut“ zu hören ist.
	Ein Spülgang wird unterbrochen, wenn die Tür mehr als 4 Sekunden lang geöffnet wird.	START/Pause drücken und die Tür innerhalb von 4 Sekunden schließen.
Der Geschirrspüler pumpt das Wasser nicht ab. Das Display zeigt: F7 E3 oder F9 E1	Im Filtersieb haben sich Speisereste oder Kalk angesammelt.	Reinigen Sie den Filter und entkalken Sie das Gerät (siehe REINIGUNG DER FILTEREINHEIT und ENTKALKEN).
	Ablaufschlauch ist geknickt.	Den Ablaufschlauch prüfen (siehe INSTALLATIONSANWEISUNG).
	Der Ablauf des Spülbeckens ist verstopft.	Den Ablauf des Spülbeckens reinigen.
Der Geschirrspüler ist zu laut.	Das Geschirr schlägt aneinander.	Positionieren Sie das Geschirr korrekt (siehe KÖRBE BELADEN).
	Es ist zu viel Schaum vorhanden.	Das Spülmittel wurde nicht richtig dosiert oder ist für Geschirrspüler ungeeignet (siehe EINFÜLLEN DES SPÜLMITTELS). Starten Sie das laufende Programm durch Ausschalten des Geschirrspülers neu. Schalten Sie das Gerät wieder ein, wählen Sie ein neues Programm, drücken Sie START/Pause und schließen Sie die Tür innerhalb von 4 Sekunden. Kein Spülmittel zufügen.
	Das Geschirr wurde nicht korrekt eingeräumt.	Positionieren Sie das Geschirr korrekt (siehe KÖRBE BELADEN).
	Im Filtersieb haben sich Speisereste oder Kalk angesammelt.	Die Filtereinheit reinigen (siehe PFLEGE UND WARTUNG).

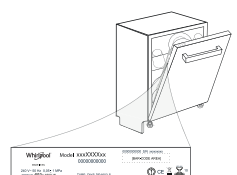
STÖRUNGEN	MÖGLICHE URSACHEN	LÖSUNG
Das Geschirr ist nicht sauber geworden.	Das Geschirr wurde nicht korrekt eingeräumt.	Positionieren Sie das Geschirr korrekt (<i>siehe KÖRBE BELADEN</i>).
	Sprüharme können nicht frei drehen, werden durch das Geschirr blockiert.	Positionieren Sie das Geschirr korrekt (<i>siehe KÖRBE BELADEN</i>). Prüfen, dass der obere Korb in der richtigen Position ist und bei Bedarf einstellen (anheben).
	Das Spülprogramm ist zu schwach.	Ein geeignetes Spülprogramm wählen (<i>siehe PROGRAMMTABELLE</i>).
	Es ist zu viel Schaum vorhanden.	Das Spülmittel wurde nicht richtig dosiert oder ist für Geschirrspüler ungeeignet (<i>siehe EINFÜLLEN DES SPÜLMITTELS</i>).
	Der Stöpsel des Klarspülerbehälters wurde nicht korrekt geschlossen.	Sicherstellen, dass der Stöpsel des Klarspülerbehälters geschlossen ist.
	Im Filtersieb haben sich Speisereste oder Kalk angesammelt.	Den Filter reinigen und das Gerät entkalken (<i>siehe REINIGUNG DER FILTEREINHEIT</i>).
	Der Salzbehälter ist leer.	Füllen Sie den Salzbehälter (<i>siehe SALZBEHÄLTER BEFÜLLEN</i>).
Der Geschirrspüler lädt kein Wasser. Am Display erscheint: H20 und  leuchtet; ein akustischer Alarm ertönt.	Kein Wasser im Wassernetz oder zugezogener Wasserhahn.	Sicherstellen, dass Wasser im Wassernetz ist und der Wasserhahn offen ist.
	Der Wasserzulaufschlauch ist geknickt.	Den Zulaufschlauch prüfen (<i>siehe INSTALLATION</i>). Öffnen Sie die Tür des Geschirrspülers, drücken Sie die Taste START/Pause und schließen Sie die Tür erneut innerhalb von 4 Sekunden.
	Das Sieb im Wasserzulaufschlauch ist verstopft. Es muss gereinigt werden.	Das Sieb im Wasserzulaufschlauch kontrollieren und reinigen. Öffnen Sie die Tür des Geschirrspülers, drücken Sie die Taste START/Pause und schließen Sie die Tür erneut innerhalb von 4 Sekunden.
Der Geschirrspüler beendet das Programm vorzeitig. Am Display erscheint: F8 E3	Im Filtersieb haben sich Speisereste oder Kalk angesammelt.	Reinigen Sie den Filter und entkalken Sie das Gerät (<i>siehe REINIGUNG DER FILTEREINHEIT und ENTKALKEN</i>).
	Ablaufschlauch zu niedrig positioniert oder Siphonwirkung in die Hauskanalisation.	Prüfen, ob das Ende des Ablaufschlauchs auf der richtigen Höhe positioniert ist (<i>siehe INSTALLATION</i>). Prüfen, ob eine Siphonwirkung in die Hauskanalisation vorliegt, installieren Sie bei Bedarf einen Vakuumbrecher/ein Belüftungsventil.
	Es ist zu viel Schaum vorhanden.	Das Spülmittel wurde nicht richtig dosiert oder ist für Geschirrspüler ungeeignet (<i>siehe EINFÜLLEN DES SPÜLMITTELS</i>).
	Luft im Wasserzulauf.	Wasserzulauf auf Lecks oder sonstige Störungen mit Lufteintritt prüfen.
Das Geschirr ist nicht gut getrocknet.	Kein Klarspüler vorhanden oder die Dosierung ist zu niedrig.	Stellen Sie sicher, dass der Klarspülerspender gefüllt ist (<i>siehe KLARSPÜLERSPENDER AUFFÜLLEN</i>). Die Verwendung von multifunktionalen Tabs allein liefert nicht so gute Trocknungsergebnisse wie die Verwendung von flüssigem Klarspüler.
	Das Geschirr wurde ausgeräumt, nachdem die Tür automatisch geöffnet wurde, jedoch vor dem tatsächlichen Programmende.	Stellen Sie sicher, dass das Programm beendet wurde, bevor Sie das Geschirr ausräumen (<i>siehe TÄGLICHER GEBRAUCH</i>). Für noch bessere Trocknungsergebnisse wird empfohlen, das Geschirr bei geöffneter Tür weitere 15 Minuten nach Programmende im Geschirrspüler zu lassen.
	Das Geschirr sitzt zu flach.	Wenn Sie Wasserpfützen in Hohlräumen von Tassen, Bechern oder Schüsseln beobachten, versuchen Sie das Geschirr (insbesondere im oberen Korb) mit mehr Neigung zu laden. Damit kann mehr Wasser abtropfen, bevor das Trocknen beginnt.
	Das gewählte Programm hat keinen Trockengang.	Bitte prüfen Sie in der <i>PROGRAMMTABELLE</i> , ob das ausgewählte Programm einen Trockengang vorsieht. Programme ohne Trockengang können nicht das gewünschte Trocknungsergebnis bringen. Es wird daher empfohlen, die Programmauswahl auf ein Programm zu ändern, das über einen Trockengang verfügt.
	Das Geschirr besteht aus Antihafmaterial oder aus Kunststoff.	Einige auf dieser Art von Material verbleibende Wassertropfen sind normal.
Geschirr und Gläser haben blaue Schlieren oder bläuliche Schattierungen.	Klarspüler wurde zu hoch dosiert.	Dosierung niedriger einstellen.
Geschirr und Gläser sind mit Kalkablagerungen oder einem weißen Belag bedeckt.	Salzbehälter ist leer.	Den Behälter sobald wie möglich mit Salz nachfüllen. Der Gebrauch des Geräts ohne Salz kann Schäden an seinen Innenbauteilen verursachen.
	Die Wasserhärteeinstellung ist zu niedrig.	Die Einstellung erhöhen (<i>siehe WASSERHÄRTETABELLE</i>).
	Der Deckel des Salzbehälters ist nicht richtig geschlossen.	Salzbehälterdeckel prüfen und verschließen.
	Der Klarspülerbehälter ist leer oder die Klarspülerdosierung ist unzureichend.	Befüllen Sie den Behälter mit Klarspüler und prüfen Sie die Dosierungseinstellung (weitere Informationen - <i>siehe KLARSPÜLERSPENDER AUFFÜLLEN</i>).
Geschirrspüler zeigt F8 E5 an	Ventil ist blockiert oder fehlerhaft.	Den Wasserhahn schließen, sofern möglich. Schalten Sie die Stromversorgung nicht aus. Kundendienst kontaktieren.



Firmenrichtlinien, Standarddokumentation, Ersatzteilbestellung und zusätzliche Produktinformationen finden Sie unter:

- Verwenden Sie den QR-Code und besuchen Sie unsere Internetseite **docs.bauknecht.eu**
- Besuchen Sie unsere Internetseite: **parts-selfservice.europeanappliances.com**
- Alternativ können Sie **unseren Kundendienst kontaktieren** (Siehe Telefonnummer in dem Garantieheft).
Wird unser Kundendienst kontaktiert, bitte die Codes auf dem Typenschild des Produkts angeben.

Die Modellinformation ist über den QR-Code auf der Energieverbrauchskennzeichnung aufrufbar. Die Kennzeichnung enthält auch die Modellnummer, die den Zugang zum Verzeichnisportal unter <https://eprel.ec.europa.eu> ermöglicht.





MERCI D'AVOIR CHOISI UN PRODUIT BAUKNECHT.
Afin de recevoir une assistance plus complète, merci d'enregistrer votre appareil sur : www.bauknecht.eu/register

Avant d'utiliser l'appareil, il convient de lire attentivement les consignes de sécurité et d'installation. Pour en savoir plus concernant votre produit, consulter le site Internet : docs.bauknecht.eu

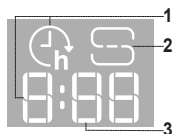
⚠ Après l'installation, rappelez-vous d'enlever toutes les pièces de protection pour le transport du lave-vaisselle.

PANNEAU DE COMMANDE



1. Touche et voyant **MARCHE-ARRÊT/Réinitialisation**
2. Touche et voyant de **programme Éco**
3. Touche et voyant de **programme Rapide / programme de Prélavage** - appuyer pendant 3 sec.
4. Touche et voyant de **programme Cristal / programme d'Autonet-toyage** - appuyer pendant 3 sec.
5. Touches et voyant de **programme Auto - Intensif Auto 65° / Mixte Auto 55° / Rapide Auto 50°**
6. Témoin de réservoir **de sel vide**
7. Témoin de réservoir **de liquide** de rinçage vide
8. **Écran**
9. Indicateur **de numéro de programme et de temps restant**
10. Voyant **Robinet d'eau fermé**
11. Témoin **DÉTARTRAGE**
12. Touche **d'Options** (supplémentaires) avec témoins - **Demi-charge / Silencieux / Rinçage Antibactérien**
13. Touche et voyant de **l'option PowerClean Pro**
14. Touche **d'Options Séchage Extra** avec témoin / **Réglages** - appuyer pendant 3 sec.
15. Touche et voyant **d'option Départ Différé**
16. Touche et voyant **DÉPART/Pause**

AFFICHAGE AU SOL



1. **Départ différé** - lorsque l'option Départ différé est activée, un compte à rebours est visible au sol jusqu'au démarrage du cycle
2. **Réservoir de sel vide** - témoin au sol
3. **Temps restant au sol** - indicateur du temps restant jusqu'à la fin du cycle

PREMIÈRE UTILISATION

MENU DE RÉGLAGE

1. Allumer l'appareil en appuyant sur la touche **MARCHE-ARRÊT** (⏻).
2. Maintenir la touche **Réglages** (⚙) (Séchage Extra ())) pendant 3 secondes jusqu'à ce que vous entendiez un bip et que l'écran affiche « **SET** ».
3. Après une seconde, le premier réglage disponible (lettre « **h** ») s'affichera.
4. Appuyer sur la touches **Programmes Auto** (A) / **d'Options Extra Sec** (E) pour faire défiler la liste des réglages disponibles (voir tableau ci-dessous), puis appuyer sur **DÉPART/Pause** (▶) pour visualiser la valeur du réglage actuellement sélectionné.
5. Appuyer sur **Programmes Auto** (A) / **d'Options Extra Sec** (E) pour modifier la valeur, puis appuyer sur **DÉPART/Pause** (▶) pour enregistrer la nouvelle valeur.
6. Pour changer un autre réglage, répéter les points 2 à 5.
7. Appuyer sur **MARCHE-ARRÊT** (⏻), ou attendre 30 secondes pour quitter le menu.

LETTRE	RÉGLAGE	VALEURS (Par défaut - en gras)
h	Niveau de dureté de l'eau (voir « RÉGLER LA DURETÉ DE L'EAU » et « TABLEAU DE DURETÉ DE L'EAU »)	1 2 3 4 5
f	Niveau de liquide de rinçage (voir « AJUSTER LE DOSAGE DU LIQUIDE DE RINÇAGE »)	0 1 2 3 4 5
o	NaturalDry (voir « OPTIONS ET FONCTIONS ») "1" = Oui, "0" = Non	1 0
t	Temps restant au sol (voir « OPTIONS ET FONCTIONS ») "1" = Oui, "0" = Non	1 0
s	Sonnerie "1" = Oui, "0" = Non	1 0
r	Réglages d'usine Appuyer sur DÉPART/Pause pour rétablir aux réglages par défaut d'usine toutes les valeurs des réglages incluses dans le menu Réglages.	-

REMPLEIR LE RÉSERVOIR DE SEL RÉGÉNÉRANT

L'utilisation de sel régénérant empêche la formation de CALCAIRE sur la vaisselle et sur les composants fonctionnelles de l'appareil. Le réservoir de sel est situé dans la partie inférieure du lave-vaisselle (sous le panier inférieur sur le côté gauche).

- Le réservoir de sel **ne doit jamais être vide**.
- Il est important de régler la dureté de l'eau.
- Il convient de faire l'appoint de sel lorsque le voyant **REMPLEISSAGE SEL** est allumé sur le panneau de commande.



1. Enlevez le panier inférieur et dévissez le bouchon du réservoir (sens antihoraire).
2. Placez l'entonnoir (voir figure) et remplissez le réservoir de sel jusqu'au bord (environ 0,5 kg); il est normal qu'un peu d'eau déborde.
3. **La première fois uniquement, vous devez effectuer l'opération suivante: remplissez d'eau le réservoir à sel.**
4. Enlevez l'entonnoir et essuyez les résidus de sel autour de l'ouverture. Assurez-vous que le bouchon est bien serré pour éviter que du détergent pénètre dans le réservoir durant le cycle de lavage (le réservoir pourrait s'endommager au point de ne plus être réparable).

Exécuter un programme dès que vous complétez le remplissage du réservoir de sel afin d'éviter la corrosion.

Régler la dureté de l'eau

Pour que l'adoucisseur d'eau fonctionne à la perfection, il est important de régler la dureté de l'eau aux conditions existantes dans votre lieu de résidence. Cette information peut être obtenue de votre fournisseur d'eau local. L'usine règle la valeur par défaut de la dureté de l'eau. Le réglage d'usine est de « **3** ». Voir « **TABLEAU DE DURETÉ DE L'EAU** ».

Niveau	°dH Degrés allemand	°fH Degrés français	°Clark Degrés anglais
1 (Très douce)	0 - 6	0 - 10	0 - 7
2 (Moyenne)	7 - 11	11 - 20	8 - 14
3 (Douce)	12 - 16	21 - 29	15 - 20
4 (Dure)	17 - 34	30 - 60	21 - 42
5 (Très dure)	35 - 50	61 - 90	43 - 62

Pour changer, suivez les instructions de la section « MENU DE RÉGLAGE ». **Utilisez seulement le sel spécialement conçu pour les lave-vaisselle.** Lorsque le sel est versé dans l'appareil, le voyant **AJOUTER DU SEL** s'éteint. **Si le contenant de sel n'est pas rempli, l'adoucisseur et l'élément chauffant peuvent être endommagés à cause de l'accumulation de calcaire. L'utilisation de sel est recommandée avec n'importe quel type de lessive pour lave-vaisselle.**

SYSTÈME ADOUCISSEUR D'EAU

L'adoucisseur d'eau réduit automatiquement la dureté de l'eau, en empêchant ainsi la formation de calcaire sur la résistance, et en contribuant également à une meilleure performance de nettoyage.

Ce système se régénère avec du sel, il est donc nécessaire de remplir le bac de sel lorsqu'il est vide.

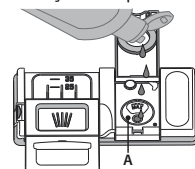
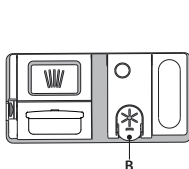
La fréquence de régénération dépend du réglage du niveau de dureté de l'eau - la régénération a lieu une fois tous les **4-6** cycles Eco avec un niveau de dureté de l'eau réglé à **3**.

Le processus de régénération a lieu en fin de cycle pendant que le lave-vaisselle est à l'arrêt. Au début de cycle suivant, le rinçage des résines permet d'évacuer tout le calcaire précipité et le saumure résiduel.

- Une régénération simple consomme : ~3 L d'eau ;
- Prend jusqu'à 5 minutes supplémentaires pour le cycle ;
- Consomme moins de 0,005 kWh d'énergie.

REMPLEIR LE DISTRIBUTEUR DE LIQUIDE DE RINÇAGE

Le liquide de rinçage permet à la vaisselle de **SÉCHER** plus facilement. Le distributeur de liquide de rinçage **A** devrait être rempli lorsque le voyant de NIVEAU DE LIQUIDE DE RINÇAGE est allumé à l'écran.



1. Ouvrez le distributeur **B** en appuyant et en tirant sur l'onglet sur le couvercle.
2. Versez doucement du liquide de rinçage jusqu'à la marque de référence (110 ml) du réservoir de remplissage - évitez les débordements.

Si cela se produit, nettoyez les dégâts immédiatement avec un linge sec.
3. Appuyez sur le bouchon pour le fermer; un clic se fait entendre.
Ne JAMAIS verser le liquide de rinçage directement dans la cuve.

Ajuster le dosage du liquide de rinçage

Si vous n'êtes pas complètement satisfait avec le séchage, vous pouvez ajuster la quantité de liquide de rinçage utilisée.

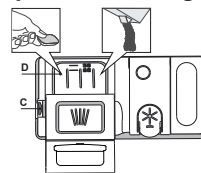
Pour changer, suivre les instructions dans la section « MENU DE RÉGLAGE ». Si le niveau de liquide de rinçage est à ZÉRO, il n'y aura pas de liquide de rinçage distribué. Dans ce cas, le voyant LIQUIDE DE RINÇAGE BAS ne s'allumera pas s'il ne reste plus de liquide de rinçage.

Un maximum de 6 niveaux peuvent être réglés selon le modèle du lave-vaisselle.

- Si vous observez des traces bleuâtres sur la vaisselle, placez sur un niveau plus bas (1-2).
- Si vous observez des gouttelettes d'eau ou des traces de calcaire sur la vaisselle, placez sur un niveau plus haut (4-5).

REMPILIR LE DISTRIBUTEUR DE DÉTERGENT

Pour ouvrir le distributeur de détergent, utilisez le dispositif d'ouverture C. Insérez le détergent dans le distributeur sec D seulement. Placez la quantité de détergent pour le pré-lavage directement dans la cuve.



1. Lorsque vous dosez le détergent, consultez les informations mentionnées précédemment pour ajuster la quantité correcte. À l'intérieur du distributeur D se trouvent des indications pour aider au dosage de la lessive.
2. Enlevez les résidus de détergent sur le bord des récipients avant de fermer le couvercle; un clic se fait entendre.

3. Fermez le couvercle du distributeur de détergent en le tirant vers le haut jusqu'à ce que le dispositif soit fermement en place.

Le distributeur de détergent s'ouvre automatiquement, au moment déterminé par le programme.

L'utilisation d'un détergent non-conçu pour les lave-vaisselle peut provoquer un dysfonctionnement ou des dommages à l'appareil.

UTILISATION QUOTIDIENNE

1. VÉRIFIER LE BRANCHEMENT DE L'EAU

Assurez-vous que l'appareil est raccordé à un réseau d'alimentation et que le robinet de l'eau est ouvert.

2. ALLUMER LE LAVE-VAISSELLE

Ouvrez la porte et appuyez sur la touche **MARCHE-ARRÊT**.

3. CHARGER LES PANIERS (voir CHARGEMENT DES PANIERS).

4. REMPLIR LE DISTRIBUTEUR DE DÉTERGENT

5. CHOISIR LE PROGRAMME ET PERSONNALISER LE CYCLE

Sélectionnez le meilleur programme selon le type de vaisselle et le niveau de saleté (voir DESCRIPTION DES PROGRAMMES) en appuyant sur la touche **PROGRAMME** sélectionnée.

Sélectionnez les options désirées (voir OPTIONS ET FONCTIONS). Toutes les options ne sont pas compatibles avec tous les programmes.

6. DÉMARRER

Fermer la porte et appuyer sur la touche **DÉPART/Pause** (le voyant est allumé) et en fermant la porte dans les 4 secondes. Quand le programme démarre, vous entendez un bip simple. Si la porte n'a pas été fermée dans les 4 secondes, le signal d'alarme est activé. Dans ce cas, ouvrez la porte, appuyez sur la touche **DÉPART/Pause** et fermez de nouveau la porte dans les 4 sec.

7. FIN DU CYCLE DE LAVAGE

La fin du programme de lavage est indiquée par un son et l'écran affiche **END (FIN)**. Ouvrez la porte et éteignez l'appareil en appuyant sur la touche **MARCHE-ARRÊT**.

Pour éviter de vous brûler, attendez quelques minutes avant de retirer la vaisselle. Déchargez les paniers en commençant par le panier inférieur.

MODIFICATION D'UN PROGRAMME EN COURS

Si vous avez sélectionné le mauvais programme, vous pouvez le changer, à condition que ce soit fait au tout début du cycle. Pour cela, effectuez une **RÉINITIALISATION** de la machine: appuyez sur la touche **MARCHE-ARRÊT** et maintenez-la appuyée pendant plus de 3 secondes, et la machine s'éteindra. Le **tableau de commande affichera « 0:01 »**. Fermez la porte et attendez la fin du cycle de vidange (environ 1 minute). Ouvrez la porte et rallumez la machine en utilisant le bouton **MARCHE-ARRÊT** et sélectionnez le nouveau programme de lavage et les éventuelles options souhaitées. Démarrer le cycle en appuyant sur la touche **DÉPART/Pause** et en fermant la porte dans les 4 secondes.

AJOUT DE VAISSELLE SUPPLÉMENTAIRE

Sans couper la machine, ouvrez la porte tout d'abord légèrement pour éviter que l'eau n'éclabousse (Le voyant **DÉPART/Pause** commence à clignoter) **Attention : vapeur chaude**. Placer la vaisselle dans le lave-vaisselle. Appuyez sur la touche **DÉPART/Pause** et fermez la porte dans les 4 sec, le cycle reprendra à l'endroit où il a été interrompu.

INTERRUPTIONS ACCIDENTELLES

Si la porte est ouverte durant le cycle de lavage, ou s'il y a une panne de courant, le cycle s'interrompt. Fermez la porte et le cycle reprendra au moment où il a été interrompu **UNIQUEMENT SI VOUS APPUYEZ** sur la touche **DÉPART/Pause** et fermez la porte dans les 4 secondes.

AVIS ET CONSEILS

CONSEILS

Avant de charger les paniers, enlevez tous les résidus de nourriture sur la vaisselle et videz les verres. **Vous n'avez pas besoin de rincer la vaisselle avant de la placer dans le lave-vaisselle.**

Placez la vaisselle pour qu'elle tienne bien en place et ne risque pas de tomber; et placez les récipients avec les ouvertures vers le bas et les parties concaves/convexes de côté pour permettre à l'eau d'atteindre toutes les surfaces et couler librement.

Avertissement : Vérifiez que les couvercles, poignées et poêle à frire n'empêchent pas les bras d'aspersion de tourner librement. Placez les petits articles dans le panier à couvert. La vaisselle et les casseroles très sales devraient être placées sur le panier inférieur car les jets d'eau sont plus forts dans cette section et permet un meilleur rendement lors du lavage. Après avoir chargé l'appareil, assurez-vous que les bras d'aspersion peuvent bouger librement.

VAISSELLE QUI NE CONVIENT PAS

- Vaisselle et couverts en bois.
- Verres décoratifs délicats, produits artisanaux, et vaisselle antique. Les garnitures ne sont pas résistantes.
- Les pièces en matériel synthétique qui ne supportent pas les hautes températures.
- La vaisselle en cuivre ou en étain.
- La vaisselle tachée de cendre, de cire, de graisse lubrifiante, ou d'encre.

Les couleurs des garnitures de verre et des pièces d'aluminium/argent peuvent changer et ternir durant le cycle de lavage. Certains types de verre (p. ex. les objets en cristal) peuvent aussi devenir opaque après plusieurs cycles de lavage.

VERRES ET VAISSELLE ENDOMMAGÉS

- Seulement utiliser des verres ou de la porcelaine qui sont lavables au lave-vaisselle conformément aux recommandations du fabricant.
- Utilisez un détergent doux, adéquat pour la vaisselle.
- Retirez les verres et les couverts du lave-vaisselle aussitôt que le cycle de lavage est terminé.

ASTUCES SUR L'ÉCONOMIE D'ÉNERGIE

- Lorsque le lave-vaisselle domestique est utilisé conformément aux instructions du fabricant, **le lavage de la vaisselle dans un lave-vaisselle consomme habituellement MOINS D'ÉNERGIE et d'eau que le lavage à la main.**
- Afin d'optimiser l'efficacité du lave-vaisselle, il est recommandé de **débuter le cycle de lavage une fois que le lave-vaisselle est totalement chargé**. Le chargement du lave-vaisselle domestique jusqu'à la capacité indiquée par le fabricant contribuera à économiser de l'énergie et de l'eau. Vous trouverez des informations sur le chargement correct de la vaisselle dans le chapitre CHARGEMENT DES PANIERS. En cas de chargement partiel, il est recommandé d'utiliser des options de lavage spécifiques si elles sont disponibles (Demi-charge / Zone Wash/ Multizone), en remplissant uniquement les paniers sélectionnés. Un chargement incorrect ou une surcharge du lave-vaisselle peut augmenter l'utilisation des ressources (telles que l'eau, l'énergie et le temps, et augmenter le niveau de bruit), en réduisant les performances de nettoyage et de séchage.
- Un pré-rinçage manuel des éléments de vaisselle provoque une augmentation de la consommation d'eau et d'énergie et n'est pas recommandé.

HYGIÈNE

Pour éviter les odeurs et les dépôts qui pourraient s'accumuler dans le lave-vaisselle, **lancer le programme Autonettoyant** (sans vaisselle à l'intérieur) **au moins une fois par mois** (voir OPTIONS ET FONCTIONS).

RÉSISTANCE AU GEL

Si l'appareil est installé dans une pièce exposée au risque de gel, **vidangez-le complètement**. Fermez la valve d'eau, retirez les tuyaux d'arrivée et de vidange, puis laissez l'eau s'écouler. **Assurez-vous que l'adoucisseur d'eau est plein de sel régénérant dissous dans le réservoir de sel**, pour protéger l'appareil des températures pouvant aller jusqu'à -20°C. Si l'appareil a été conservé dans des conditions de gel, il doit rester à une température ambiante de 5°C minimum pendant **au moins 24 heures** avant la première utilisation.

TABLEAU DES PROGRAMMES

Programme	Description des programmes	Séchage	NaturalDry	Options disponibles *)	Durée du programme de lavage (h:min)**)	Consommation d'eau (l/cycle)	Consommation d'énergie (kWh/cycle)
Eco	Éco 50° - Le programme Eco est adapté pour nettoyer la vaisselle normalement sale. Pour cette utilisation, c'est le programme qui a une consommation d'eau et d'énergie la plus optimale. Il est utilisé pour évaluer la conformité à la législation européenne en matière d'éco-conception.	✓	✓		4:00	9,5	0,65
Rapide	Rapide 45° - Ce programme est recommandé pour une quantité limitée de vaisselle légèrement sale sans résidus d'aliments séchés. N'inclut pas de phase de séchage.	-	✓		0:30 - 0:40	10,0 - 12,0	0,55 - 0,65
Cristal	Cristal 45° - Programme pour la vaisselle délicate, plus sensible aux températures élevées, comme les verres et les tasses.	✓	✓		1:40 - 1:50	12,5 - 16,5	0,95 - 1,20
Intensif Auto	Intensif Auto 65° - Programme automatique pour la vaisselle et les casseroles très sales.	✓	✓		2:25 - 3:10	15,5 - 24,5	1,30 - 1,70
Mixte Auto	Mixte Auto 55° - Programme automatique pour de la vaisselle normalement sale avec des résidus d'aliments séchés.	✓	✓		1:20 - 3:00	7,5 - 19,5	0,75 - 1,20
Rapide Auto	Rapide Auto 50° - Programme automatique pour de la vaisselle normalement et légèrement sale. Le cycle quotidien qui assure un nettoyage optimal et des performances de séchage en moins de temps.	✓	✓		1:00 - 1:50	7,5 - 15,5	0,70 - 1,10
Pré lavage	Pré lavage - Utilisez ce programme pour rafraîchir la vaisselle qui sera lavée plus tard. N'utilisez pas de détergent avec ce programme.	-	✓		0:12	4,5	0,10
Autonettoyage	Autonettoyage 65° - Programme à utiliser pour effectuer l'entretien du lave-vaisselle, à réaliser uniquement lorsque le lave-vaisselle est VIDE en utilisant des détergents spécifiques conçus pour l'entretien du lave-vaisselle.	-	-		1:15	11,0	1,10

Les données du programme Éco sont mesurées sous des conditions en laboratoire conformément à la norme européenne EN 60436:2020. Note pour les laboratoires d'essai : pour toutes informations sur les conditions d'essai comparatif EN, s'adresser à : dw_test_support@europeanappliances.com. Aucun prétraitement de la vaisselle n'est nécessaire avant l'un quelconque des programmes.
 *) Les options ne peuvent pas toutes être utilisées en même temps.
 **) Les valeurs indiquées pour des programmes différents du programme Éco sont fournies à titre indicatif uniquement. Le temps réel peut varier selon des facteurs comme la température et la pression de l'eau, la température de la pièce, la quantité de détergent, la quantité et le type de vaisselle, l'équilibre de la charge, les options supplémentaires sélectionnées, et la calibration du capteur. La calibration du capteur peut augmenter la durée du programme jusqu'à 20 minutes.

OPTIONS ET FONCTIONS

Les **OPTIONS** peuvent être sélectionnées/désélectionnées, après avoir choisi le programme, directement en appuyant sur la touche correspondante (si disponibles - les témoins s'allument) (voir le PANNEAU DE COMMANDE). Si une option n'est pas compatible avec le programme sélectionné (voir TABLEAU DES PROGRAMMES), le voyant correspondant clignote 3 fois et un bip se fait entendre. La fonction n'est pas activée. Une option peut changer le temps ou la consommation d'eau ou d'énergie du programme.

DEMI-CHARGE - S'il n'y a pas trop de vaisselle à laver, une option DEMI-CHARGE est utilisée pour économiser de l'eau, de l'électricité et du temps en fonction du programme choisi.
Rappelez-vous de diminuer de moitié la quantité de détergent.

SILENCIEUX - Adéquat lorsque l'appareil fonctionne la nuit. Cette option peut être utilisée pour limiter les émissions de bruit pendant les phases de lavage. Elle augmentera la durée du cycle en fonction de la sélection du cycle de bas.

RINÇAGE ANTIBACTÉRIEN - Cette option peut être utilisée pour assainir la vaisselle lavée. Cela augmentera la température de rinçage finale et ajoutera un lavage anti-bactérien au programme sélectionné. Idéal pour laver la vaisselle et les biberons. La porte du lave-vaisselle doit être fermée tout au long du cycle pour garantir que la quantité de germes est bien diminuée.
AVERTISSEMENT : la vaisselle et les plats peuvent être très chaud à la fin du cycle.

POWERCLEAN PRO - Grâce aux jets haute pression supplémentaires, cette option fournit un lavage plus intensif et puissant dans le panier inférieur, dans la zone spécifique. Elle est recommandée pour le lavage des poêles et des casseroles (Voir la section de chargement PowerClean Pro).

EXTRA SEC - Une température supérieure pendant le rinçage final et une phase de séchage prolongée permettent un séchage amélioré. L'option EXTRA SEC prolonge le cycle de lavage.

DÉPART DIFFÉRÉ - Le début du programme peut être différé entre **h 30 minutes et 24 heures**.

1. Sélectionnez le programme et les options souhaités. Appuyez sur la touche DÉPART DIFFÉRÉ (plusieurs fois) pour retarder le début du programme. Réglable de 0:30 à 24 heures. Une fois que le réglage de 24 heures est atteint, appuyer encore une fois sur DÉPART DIFFÉRÉ pour désactiver la fonction DÉPART DIFFÉRÉ.
 2. Appuyez sur le touche DÉPART/Pause et fermez la porte dans un délai de 4 sec.: la minuterie commence le compte à rebours.
 3. Une fois le temps écoulé, le voyant s'éteint et le programme démarre automatiquement.
- La fonction DÉPART DIFFÉRÉ ne peut pas être modifiée lorsque le programme est en cours.**

TEMPS RESTANT AU SOL - Un témoin à LED projeté sur le sol indique le temps restant jusqu'à la fin du cycle. Le voyant s'éteint chaque fois que la porte est ouverte. Le voyant s'éteint à la fin d'un cycle. Cette fonction est active par défaut, mais il est possible de la désactiver dans le « MENU DE RÉGLAGE ».

DÉTARTRAGE - Alerte - Une accumulation de tartre a été détectée sur des composants internes de l'appareil. Vérifier si le **Réglage de Dureté** de l'eau est à la valeur correcte et si **du sel est présent dans le réservoir de sel** (voir PREMIÈRE UTILISATION), puis **utiliser un produit détartrant** (la marque WPro est recommandée) avec le **programme Autonettoyage**. Après un détartrage réussi, l'icône s'éteindra. Si les actions ci-dessus ne sont pas réalisées, les performances du produit se détérioreront. Un avertissement de « Détartrage » commencera à clignoter et une alarme « **DES** » apparaîtra sur l'écran. Si aucune action n'est entreprise, l'appareil pourra encore effectuer quelques cycles de lavage (nombre indiqué pendant l'affichage de l'alarme « **DES** ») puis il sera **BLOQUÉ** pour éviter les dommages aux composants, avec seulement le **programme Autonettoyage disponible**. La réalisation d'un détartrage complet déblocuera le produit. En cas de quantités très importantes de tartre, il est possible de devoir lancer deux fois successivement le programme Autonettoyage pour que le détartrage soit efficace.

NaturalDry - C'est un système de séchage à convection qui ouvre automatiquement la porte pendant/après la phase de séchage pour assurer une performance de séchage exceptionnelle chaque jour. La porte s'ouvre à la température qui est sûre pour les meubles de votre cuisine, donc la porte ne sera pas ouverte quand l'option RINÇAGE ANTIBACTÉRIEN sera activée. A titre de protection supplémentaire contre la vapeur, un adhésif anti-vapeur spécifiquement conçu est livré avec le lave-vaisselle. Pour voir comment poser cet adhésif, consulter le GUIDE D'INSTALLATION. Cette fonction est active par défaut, mais il est possible de la désactiver dans le « MENU DE RÉGLAGE ».

DÉTECTION - Lorsque le capteur détecte le niveau de saleté, une animation apparaît sur l'écran (environ 20 min.) et la durée du cycle est mise à jour. La DÉTECTION est destinée au niveau de salissure de la vaisselle et elle est présente pour tous les cycles de lavage (excepté Eco) en ajustant le programme en conséquence.

ROBINET D'EAU FERMÉ - Alerte
 Clignote lorsqu'il n'y a pas d'arrivée d'eau ou que le robinet d'eau est fermé.

CHARGEMENT DES PANIERS

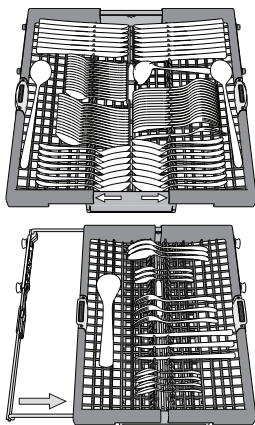
CAPACITÉ : 15 couverts standards

COMPARTIMENT À COUVERT

Le troisième panier a été conçu pour contenir les couverts. Placez les couverts comme illustré sur le dessin ci-contre. Séparer les couverts facilite le rangement après le cycle de lavage et améliore les programmes de lavage et de séchage.

Les couteaux et autres ustensiles avec des bords tranchants doivent être placés dans le panier à couvert avec la pointe vers le bas.

Le panier à couvert comprend deux paniers coulissants sur les côtés pour optimiser l'utilisation de l'espace disponible et permettre le chargement de grands articles dans le panier supérieur.

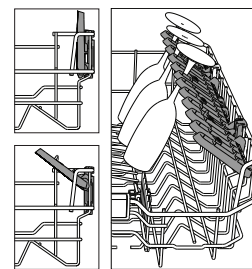


Volets pliables avec positions ajustables

Les volets pliables latéraux peuvent être pliés ou dépliés afin d'optimiser la disposition de la vaisselle à l'intérieur du panier. Les verres de vin peuvent être placés de façon sécuritaire dans les volets pliables en insérant le pied de chaque verre dans la fente correspondante.

Selon le modèle :

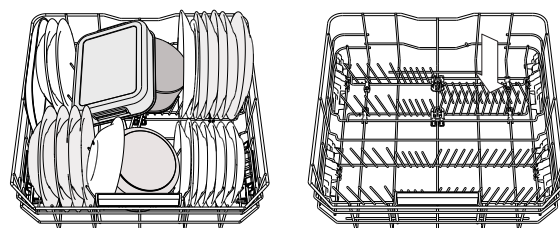
- pour déplier les volets, il est nécessaire de les coulisser vers le haut et de les tourner ou de les libérer des fixations et de les tirer vers le bas.
- pour replier les volets, il est nécessaire de les tourner et de les faire coulisser vers le bas ou de les tirer vers le haut et de les accrocher aux fixations.



PANIER INFÉRIEUR

Pour les poêles, les couvercles, les plats, les saladiers, les couverts, etc. Les grands plats et les grands couvercles devraient être placés sur le côté pour éviter qu'ils n'entravent le fonctionnement des bras d'aspersion.

Le panier inférieur comprend des supports rabattables qui peuvent être placés en position verticale pour charger des assiettes, ou en position horizontale (bas) pour faciliter le chargement des casseroles et des saladiers.



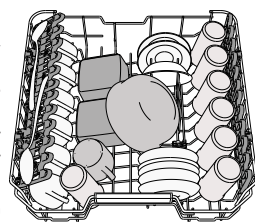
(exemple de chargement du panier inférieur)

PANIER SUPÉRIEUR

Chargez la vaisselle délicate et légère : verres, tasses, petits saladiers.

Le panier du milieu comprend des supports rabattables qui peuvent être placés en position verticale pour charger des assiettes, ou en position horizontale (bas) pour faciliter le chargement des bols et autres récipients.

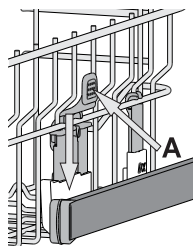
(exemple de chargement du panier supérieur)



Ajuster la hauteur du panier supérieur

Vous pouvez ajuster la hauteur du panier supérieur : position élevée pour placer la vaisselle encombrante sur le panier inférieur et éviter les chocs avec le panier supérieur ; en créant plus d'espace en hauteur.

Le panier supérieur comprend un dispositif de réglage de la hauteur (voir figure). Sans appuyer sur les leviers, soulevez simplement le panier supérieur en le tenant par les côtés jusqu'à ce qu'il soit stable en position élevée. Pour abaisser le panier, appuyez sur les leviers **A** sur les côtés du panier et déplacez-le vers le bas.



Nous vous conseillons fortement de ne pas ajuster la hauteur du panier lorsqu'il est chargé.

Ne JAMAIS soulever ou abaisser un seul côté du panier.

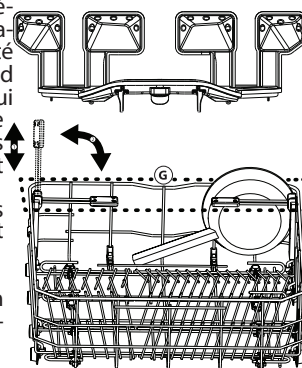
POWERCLEAN PRO

PowerClean Pro utilise des jets d'eau spéciaux, situés à l'arrière de la cavité, pour laver les articles très sales avec une intensité plus élevée. Le panier inférieur comprend une zone d'espace, un support spécial qui se trouve à l'arrière du panier, qui peut être utilisé pour supporter les poêles à frire et les moules dans une position verticale, prenant ainsi moins de place.

Placer les poêles et les casseroles face aux jets PowerClean Pro situés à l'arrière de la cuve et activez **POWERCLEAN PRO** sur le bandeau.

Comment utiliser PowerClean Pro.

1. Réglez la zone PowerClean Pro (**G**) en rabattant les supports pour assiettes arrière pour charger des casseroles.
2. Chargez les grands plats et les casseroles en les inclinant à la verticale dans la zone PowerClean Pro. Les casseroles doivent être inclinées dans la direction des jets d'eau haute pression.



NETTOYAGE ET ENTRETIEN

NETTOYER L'ENSEMBLE FILTRE

Nettoyez régulièrement l'ensemble filtre pour éviter qu'il ne se bouche et pour permettre aux eaux usées de bien s'éliminer.

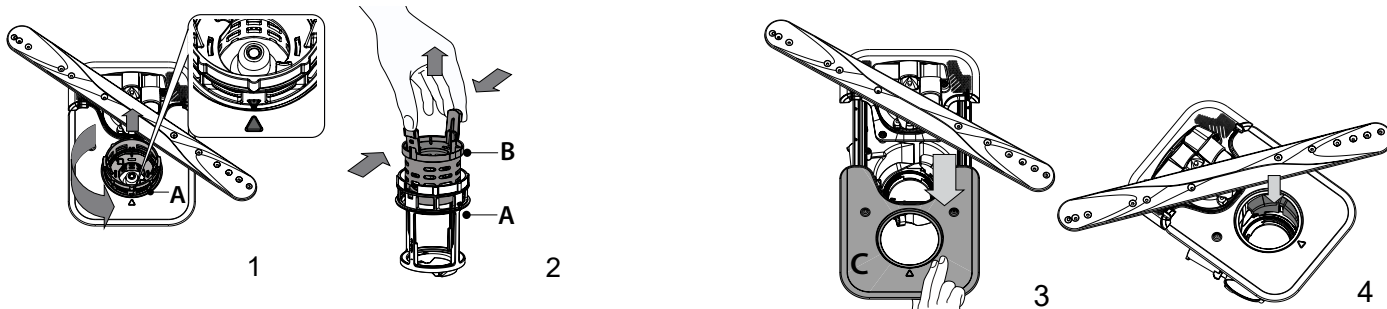
L'utilisation du lave-vaisselle avec des filtres obstrués ou des corps étrangers à l'intérieur du système de filtration ou des bras de lavage peut provoquer un dysfonctionnement du lave-vaisselle en réduisant l'efficacité de lavage, en augmentant le bruit de fonctionnement et la consommation d'électricité.

L'ensemble filtre comprend trois filtres qui séparent les résidus de nourriture de l'eau de lavage pour ensuite faire circuler l'eau.

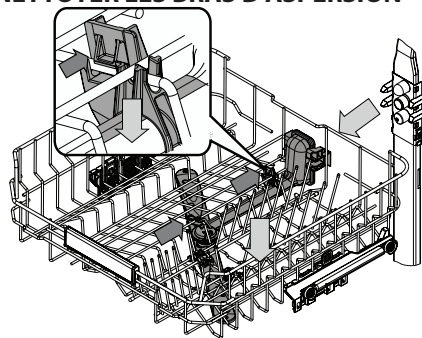
N'utilisez pas le lave-vaisselle sans les filtres ou si un filtre est mal ajusté. Au moins une fois par mois ou tous les 30 cycles, vérifiez l'assemblage du filtre et si nécessaire, nettoyez-le minutieusement sous l'eau courante, en utilisant une brosse non-métallique et en suivant les instructions ci-dessous:

1. Tournez le filtre cylindrique **A** dans le sens antihoraire et retirez-le (Fig. 1). **Il est important lors de la réinstallation du filtre que les deux triangles indiqués sur le zoom correspondent.**
2. Enlevez le panier du filtre **B** en appliquant une légère pression sur les volets latéraux (Fig. 2).
3. Retirez la plaque du filtre en acier inoxydable **C** (Fig. 3).
4. Si vous trouvez des objets étrangers (comme du verre brisé, de la porcelaine, des os, des pépins de fruits, etc), enlevez-les minutieusement.
5. Inspecter la cavité et enlever les résidus de nourriture. **NE JAMAIS ENLEVER** la protection de la pompe du cycle de lavage (indiqué par la flèche) (Fig 4).

Après avoir nettoyé les filtres, assemblez de nouveau l'ensemble filtre et remettez-le en place correctement; c'est très important pour que le lave-vaisselle garde son efficacité.

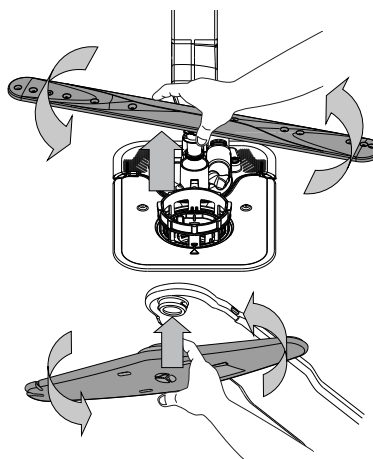


NETTOYER LES BRAS D'ASPERSION



À l'occasion, des résidus de nourriture s'incrustent dans les bras d'aspersion et bloquent les trous utilisés pour asperger de l'eau. Il est donc conseillé de vérifier les bras de temps en temps et de les nettoyer avec une petite brosse non métallique.

Pour démonter le bras d'aspersion intermédiaire, il faut déclipser l'ensemble collecteur d'eau situé sous le panier supérieur.



Le bras d'aspersion inférieur se démonte en le tirant vers le haut, tout en le tournant dans le sens inverse des aiguilles d'une montre. Pour remonter le bras d'aspersion inférieur, il faut le pousser vers le bas tout en le tournant dans le sens des aiguilles d'une montre.

Le bras d'aspersion supérieur se démonte en le tirant vers le bas, tout en le tournant dans le sens inverse des aiguilles d'une montre. Pour remonter le bras d'aspersion supérieur, il faut le pousser vers le haut tout en le tournant dans le sens des aiguilles d'une montre.

DÉPANNAGE

Si votre lave-vaisselle ne fonctionne pas correctement, vérifiez si le problème peut être résolu en suivant la liste ci-après. Pour d'autres erreurs ou problèmes, contactez le Service après-vente agréé dont les coordonnées peuvent être trouvées dans le livret de garantie. Les pièces de rechange seront disponibles pour une période allant jusqu'à 7 ou jusqu'à 10 ans, selon les exigences spécifiques du règlement.

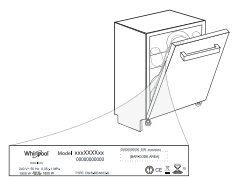
PROBLÈMES	CAUSES POSSIBLES	SOLUTIONS
L'indicateur de sel est allumé	Le réservoir de sel est presque vide..	Remplissez le réservoir de sel régénérant (voir REPLIR LE RÉSERVOIR DE SEL). Réglez la dureté de l'eau (voir TABLEAU DE DURETÉ DE L'EAU).
Le voyant de niveau de sel clignote	Le réservoir de sel est vide.	Remplissez le réservoir avec du sel dès que possible. L'utilisation de l'appareil sans sel peut provoquer des dommages à ses composants internes.
Le voyant de liquide de rinçage est allumé ou clignote	Le distributeur de liquide de rinçage est vide. (Après le remplissage, il est possible que le voyant du liquide rinçage reste allumé pendant un certain temps).	Remplissez le distributeur avec du liquide de rinçage (voir REPLIR LE DISTRIBUTEUR DE LIQUIDE DE RINÇAGE).
Le voyant de détartrage est allumé ou clignote; L'alarme « dES » s'affiche.	Du calcaire s'accumule sur les composants internes de l'appareil.	Détartrez l'appareil immédiatement en utilisant le programme Autonettoyant et un produit détartrant disponible dans le commerce (voir OPTIONS ET FONCTIONS). Remplissez le réservoir avec du sel. Vérifiez le réglage de la dureté de l'eau. Si l'appareil n'est pas détartré, il arrêtera de fonctionner.
Le lave-vaisselle ou les commandes ne fonctionnent pas.	L'appareil n'est pas bien branché.	Insérez la fiche dans la prise de courant.
	Panne de courant.	Pour des raisons de sécurité, le lave-vaisselle ne redémarrera pas automatiquement lors du rétablissement du courant. Ouvrez la porte du lave-vaisselle, appuyez sur la touche DÉPART/Pause, et fermez la porte dans les 4 secondes.
	La porte du lave-vaisselle n'est pas fermée. La tige du système NaturalDry n'est pas rentrée	Poussez vigoureusement la porte pour entendre le « clic ».
	Un cycle est interrompu en cas d'ouverture de la porte pendant plus de 4 secondes.	Appuyez sur DÉPART/Pause et fermez la porte dans les 4 secondes.
Le lave-vaisselle ne se vidange pas. L'afficheur indique: F7 E3 ou F9 E1	Le panneau de commande ne répond pas ou le message F6 E1 est affiché.	Éteignez l'appareil en appuyant sur la touche MARCHÉ-ARRÊT/Réinitialisation, rallumez-le environ une minute après, et redémarrez le programme. Si le problème persiste, débranchez l'appareil pendant 1 minute, puis rebranchez-le.
	Le filtre est bouché par des résidus de nourriture ou du calcaire.	Nettoyez le filtre et détartré l'appareil (voir NETTOYER L'ENSEMBLE FILTRE et INSTRUCTION POUR LE DÉTARTRAGE).
	Le tuyau de vidange est plié.	Vérifiez le tuyau de vidange (voir INSTRUCTIONS D'INSTALLATION).
Le lave-vaisselle fait beaucoup de bruit.	Le conduit de vidange de l'évier est bouché.	Nettoyez le conduit de vidange de l'évier.
	La vaisselle s'entrechoque.	Remplacez la vaisselle correctement (voir CHARGEMENT DES PANIERS).
	Une quantité de mousse excessive est présente.	Le détergent a été mal mesuré ou il n'est pas adéquat pour les lave-vaisselle (voir REPLISSAGE DU DISTRIBUTEUR DE DÉTERGENT). Relancez le cycle en cours en éteignant le lave-vaisselle, puis en le rallumant, sélectionnez un nouveau programme, appuyez sur MARCHÉ-ARRÊT et fermez la porte dans les 4 secondes. Merci de ne pas ajouter de détergent.
	La vaisselle n'a pas été bien rangée.	Remplacez la vaisselle correctement (voir CHARGEMENT DES PANIERS).
	Le filtre est bouché par des résidus de nourriture ou du calcaire.	Nettoyez l'ensemble de filtre (voir NETTOYAGE ET ENTRETIEN).

PROBLÈMES	CAUSES POSSIBLES	SOLUTIONS
La vaisselle n'est pas propre.	La vaisselle n'a pas été bien rangée.	Remplacez la vaisselle correctement (voir <i>CHARGEMENT DES PANIERS</i>).
	Les bras d'aspersion ne tournent pas librement, ils sont gênés par la vaisselle.	Remplacez la vaisselle correctement (voir <i>CHARGEMENT DES PANIERS</i>). Vérifiez que le panier supérieur est dans la position correcte et ajuster le (lever) si nécessaire.
	Le cycle de lavage n'est pas assez intensif.	Sélectionnez le cycle de lavage approprié (voir <i>TABLEAU DES PROGRAMMES</i>).
	Une quantité de mousse excessive est présente.	Le détergent a été mal mesuré ou il n'est pas adéquat pour les lave-vaisselle (voir <i>REEMPLIR LE DISTRIBUTEUR DE DÉTERGENT</i>).
	Le bouchon du compartiment de liquide de rinçage n'est pas bien fermé.	Assurez-vous que le bouchon du distributeur de liquide de rinçage est fermé.
	Le filtre est bouché par des résidus de nourriture ou du calcaire.	Nettoyez le filtre et démarrez l'appareil (voir <i>NETTOYER L'ENSEMBLE FILTRE</i>).
	Le réservoir de sel est vide.	Remplir le réservoir de sel (voir <i>REEMPLIR LE RÉSERVOIR DE SEL</i>).
L'eau n'arrive pas au lave-vaisselle. L'afficheur indique : H2O et  est allumé ; une alarme sonore retentit.	L'alimentation d'eau est vide ou le robinet est fermé.	Assurez-vous qu'il y a de l'eau dans le circuit d'alimentation ou que le robinet est ouvert.
	Le tuyau d'arrivée d'eau est plié.	Vérifiez le tuyau d'entrée (voir <i>INSTALLATION</i>). Ouvrez la porte du lave-vaisselle, appuyez sur le touche DÉPART/Pause, et fermez la porte dans les 4 secondes.
	Le tamis dans le tuyau d'arrivée d'eau est obstrué ; vous devez le nettoyer.	Vérifiez et nettoyez le tamis dans le tuyau d'entrée d'eau. Ouvrez la porte du lave-vaisselle, appuyez sur le touche DÉPART/Pause, et fermez la porte dans les 4 secondes.
Le lave-vaisselle termine son cycle prématurément. L'afficheur indique : F8 E3 .	Le bouchon du compartiment de liquide de rinçage n'est pas bien fermé.	Nettoyez le filtre et démarrez l'appareil (voir <i>NETTOYER L'ENSEMBLE FILTRE</i> et <i>INSTRUCTION POUR LE DÉTARTRAGE</i>).
	Le tuyau de vidange est positionné trop bas ou se vide dans le système d'évacuation domestique.	Vérifiez que le tuyau de vidange n'est pas trop engagé dans la canalisation murale du réseau d'évacuation des eaux usées (voir <i>INSTALLATION</i>). En cas d'un branchement du tuyau de vidange sur le siphon d'un évier de cuisine, il faut installer un dispositif anti retour pour éviter le risque de siphonnage du lave-vaisselle.
	Une quantité de mousse excessive est présente.	Le détergent a été mal mesuré ou il n'est pas adéquat pour les lave-vaisselle (voir <i>REEMPLIR LE DISTRIBUTEUR DE DÉTERGENT</i>).
	De l'air est présent dans l'alimentation en eau.	Vérifiez si l'alimentation en eau présente des fuites ou d'autres problèmes laissant entrer de l'air.
La vaisselle n'est pas bien séchée.	Il n'y a pas de liquide de rinçage ou le dosage est trop faible.	Assurez-vous que le distributeur de liquide de rinçage est rempli (voir <i>REEMPLIR LE DISTRIBUTEUR DE LIQUIDE DE RINÇAGE</i>). Les tablettes multifonctions ne donnent pas un résultat de séchage aussi bon que l'utilisation effective de liquide de rinçage.
	La vaisselle a été chargée après l'ouverture automatique de la porte mais avant la fin du cycle effectif.	Assurez-vous que le cycle a pris fin avant de commencer à décharger la vaisselle (voir <i>UTILISATION QUOTIDIENNE</i>). Pour des résultats de séchage encore meilleurs, il est recommandé de laisser la vaisselle à l'intérieur du lave-vaisselle avec la porte ouverte pendant 15 minutes supplémentaires après la fin du cycle.
	La vaisselle est positionnée trop à plat.	Si vous constatez des flaques d'eau dans les cavités des tasses, mugs ou bols, essayez de charger la vaisselle (en particulier dans le panier supérieur) de manière plus inclinée pour permettre à l'eau de s'égoutter davantage avant que le séchage ne débute.
	Le cycle sélectionné n'a pas de phase de séchage.	Vérifiez sur le <i>TABLEAU DE PROGRAMMES</i> si le programme sélectionné est équipé dans la phase de séchage. Un cycle sans phase de séchage ne peut pas donner une efficacité de séchage souhaitée, il est donc recommandé de changer la sélection de cycle pour celle qui présente une phase de séchage.
	La vaisselle est anti-adhérente ou en plastique.	Il est normal qu'il reste quelques gouttes d'eau sur ce type de matériau.
La vaisselle et les verres ont des traces bleues ou des teintes bleutées.	Le dosage du liquide de rinçage est excessif.	Ajuster le dosage à une valeur inférieure.
Des traces de calcaire ou un film blanc sont présentes sur la vaisselle et les verres.	Le réservoir à sel est vide.	Remplissez le réservoir avec du sel dès que possible. L'utilisation de l'appareil sans sel peut provoquer des dommages à ses composants internes.
	Le réglage de la dureté de l'eau est trop bas.	Augmenter le réglage (voir <i>TABLEAU DURETÉ DE L'EAU</i>).
	Le bouchon du réservoir de sel n'est pas bien fermé.	Vérifiez et fermez le bouchon du réservoir de sel.
	Le réservoir de liquide de rinçage est vide ou le dosage de liquide de rinçage est insuffisant.	Remplissez le distributeur avec du liquide de rinçage et vérifiez le réglage du dosage (pour plus d'informations - voir <i>REEMPLIR LE DISTRIBUTEUR DE LIQUIDE DE RINÇAGE</i>).
Le lave-vaisselle affiche F8 E5	La vanne est bloquée ou défectueuse.	Fermez le robinet d'eau, si possible. Ne coupez pas l'alimentation électrique. Appelez la maintenance.



Vous trouverez les documents normatifs, la documentation standard, le classement des pièces de rechange et des informations supplémentaires sur les produits:

- En utilisant le QR code sur votre produit et visitant notre site web docs.bauknecht.eu
- En visitant notre site web parts-selfservice.europeanappliances.com
- Vous pouvez également **contacter notre Service après-vente** (voir numéro de téléphone dans le livret de garantie). Lorsque vous contactez notre Service après-vente, veuillez indiquer les codes figurant sur la plaque signalétique de l'appareil.



Les informations relatives au modèle peuvent être trouvées en utilisant le QR-Code figurant sur l'étiquette énergétique. L'étiquette comprend également l'identifiant du modèle qui peut être utilisé pour consulter le portail du registre sur le site <https://eprel.ec.europa.eu>.





DANK U WEL VOOR UW AANKOOP VAN EEN BAUKNECHT PRODUCT. Voor verdere assistentie kunt u het apparaat registreren op: www.bauknecht.eu/register

Lees vóór gebruik van het apparaat de veiligheids- en installatie-instructies zorgvuldig door. Meer informatie over uw product is te vinden op website: docs.bauknecht.eu

Vergeet niet om na de installatie alle transportbeschermingen van de vaatwasser te verwijderen.

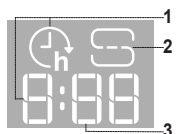
BEDIENINGSPANEEL



1. **AAN-UIT/Reset**-toets met controlelampje
2. Programmatoets **Eco** met controlelampje
3. Programmatoets **Snel** met controlelampje/ **Voorwasprogramma** - 3 sec. indrukken
4. Programmatoets **Kristallen** met controlelampje/**Zelfreinigingsprogramma** - 3 sec. indrukken
5. Knoppen **Automatische programma's** met controlelampje - **Auto Intensief 65° / Auto Gemengd 55° / Auto Snel 50°**
6. Controlelampje **zoutreservoir** leeg
7. Controlelampje **spoelglansmiddelreservoir** leeg

8. **Display**
9. **Nummer programma** en controlelampje **resterende tijd**
10. Controlelampje **Gesloten Waterkraan**
11. Controlelampje **ONTKALKEN**
12. **Extra keuzeknoppen** met controlelampje - **Halve Lading/Stil/Antibacterieel Spoelen**
13. Toets voor **optie PowerClean Pro** met controlelampje
14. Toets voor **optie Extra Droog** met controlelampje/**Instellingen** - 3 sec. indrukken
15. Toets voor **optie Uitstel** met controlelampje
16. Toets **START/Pauze** met controlelampje

DISPLAY OP DE VLOER



1. **Starttijd op de vloer** - de resterende tijd tot het programma start, wanneer de optie Uitgestelde start is ingesteld
2. **Zoutreservoir leeg** - controlelampje op de vloer
3. **Resterende tijd op de vloer** - de tijd tot het einde van het programma

EERSTE GEBRUIK

INSTELLING MENU

1. Het apparaat inschakelen door op de toets **AAN-UIT** te drukken.
2. Houd de toets **Instellingen** (Extra Droog) 3 seconden ingedrukt tot u een pieptoon hoort en „**SET**“ op het display verschijnt.
3. Na één seconde verschijnt de eerste beschikbare instelling (letter „h“).
4. Druk op de toetsen **Automatische programma's** / **Extra keuzeknoppen** om door de lijst met beschikbare instellingen te bladeren (zie onderstaande tabel) en druk vervolgens op **START/Pauze** om de waarde van de geselecteerde instelling te bekijken of te wijzigen.
5. Druk op **Automatische programma's** / **Extra keuzeknoppen** om de waarde te veranderen en vervolgens op **START/Pauze** om de nieuwe waarde op te slaan.
6. Herhaal punt 2 en 5 om andere instellingen te wijzigen.
7. Druk op **AAN-UIT** om wacht 30 seconden om het menu te verlaten.

LETTER	INSTELLING	WAARDEN (Standaard - vetgedrukt)
h	Waterhardheidsgraad (zie 'DE WATERHARDHEID INSTELLEN' en 'TABEL WATERHARDHEID')	1 2 3 4 5
f	Glansspoelmiddelpeil (zie 'DE DOSERING GLANSSPOELMIDDEL AANPASSEN')	0 1 2 3 4 5
□	NaturalDry (zie 'OPTIES EN FUNCTIES') '1' = Aan, '0' = Uit	1 0
h	Tijd Op De Vloer (zie 'OPTIES EN FUNCTIES') '1' = Aan, '0' = Uit	1 0
h	Geluid '1' = Aan, '0' = Uit	1 0
h	Fabrieksinstellingen Druk op START/Pauze om alle waarden in het instellingenmenu terug te zetten naar de fabrieksinstellingen.	-

HET ZOUTRESERVOIR BIJVULLEN

Het gebruik van zout voorkomt de vorming van KALKAANSLAG op het vaatwerk en op de functionele onderdelen van de machine. Het zoutreservoir bevindt zich onderin de vaatwasser (onder het onderste rek aan de linkerkant).

- Het is noodzakelijk dat **het zoutreservoir nooit leeg is**.
- het is belangrijk dat de hardheid van het water wordt ingesteld.
- Zout moet worden bijgevoerd wanneer het controlelampje **ZOUT BIJVULLEN** op het bedieningspaneel brandt.



1. Verwijder het onderste rek en draai de dop van het reservoir los (linksonder).
2. Plaats de trechter (zie afbeelding) en vul het zoutreservoir tot aan de rand (ongeveer 0,5 kg); het is niet ongebruikelijk dat er een beetje water uit lekt.
3. **Aleen de eerste maal dat u dit doet: vul het zoutreservoir met water.**

4. Verwijder de trechter en veeg alle zoutresten weg van de opening. Zorg ervoor dat de dop strak is aangedraaid, zodat geen vaatwasmiddel in de container kan komen tijdens het wasprogramma (dit kan de waterontharder onherstelbaar beschadigen).

Draai altijd een programma zodra u het zoutreservoir heeft bijgevoerd om corrosie te voorkomen.

De waterhardheid instellen

Als u de waterontharder perfect wilt laten werken is het essentieel dat de instelling van de waterhardheid is gebaseerd op de werkelijke waterhardheid in uw huis. Deze informatie kan bij uw lokale waterleverancier worden opgevraagd. De fabrieksinstelling is "3". Zie „TABEL WATERHARDHEID“.

Tabel waterhardheid			
Niveau	°dH Duitse graden	°fH Franse graden	°Clark Engelse graden
1 (Zacht)	0 - 6	0 - 10	0 - 7
2 (Gemiddeld)	7 - 11	11 - 20	8 - 14
3 (Gemiddeld)	12 - 16	21 - 29	15 - 20
4 (Hard)	17 - 34	30 - 60	21 - 42
5 (Zeer hard)	35 - 50	61 - 90	43 - 62

Volg de instructies in het hoofdstuk „INSTELLING MENU“ om dit te wijzigen. **Gebruik alleen zout dat speciaal voor afwasmachines is bestemd.** Wanneer het zout in de machine is gestrooid wordt het lampje **ZOUT BIJVULLEN** uitgeschakeld.

Als het zoutreservoir niet gevuld wordt, kunnen de waterverzachter en het verwarmingselement beschadigd raken als gevolg van de accumulatie van ketelsteen. Het gebruik van zout wordt aanbevolen met elk type vaatwasmiddel.

WATERVERZACHTEND SYSTEEM

Waterverzachters reduceren automatisch de waterhardheid en voorkomen bijgevolg ketelsteenvorming op de verwarmers en dragen bij tot een efficiëntere reiniging.

Dit systeem wordt automatisch met zout geregenereerd, u dient dus het zoutreservoir te vullen wanneer het leeg is.

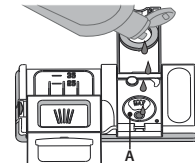
De frequentie van de regeneratie hangt af van de instelling van het waterhardheidsniveau - de regeneratie wordt uitgevoerd om de 4-6 Eco-cyclussen met het waterhardheidsniveau ingesteld op 3.

De regeneratie vindt plaats aan het begin van het programma met extra vers water.

- Eén enkele regeneratie verbruikt: ~3 liter water;
- Doet de cyclus 5 minuten langer duren;
- Verbruikt minder dan 0,005 kWh energie.

HET GLANSSPOELMIDDELRESERVOIR BIJVULLEN

Glansspoelmiddel maakt het DROGEN van de vaat gemakkelijker. Het glansspoelmiddelreservoir **A** moet worden gevuld wanneer het controlelampje **GLANSSPOELMIDDEL BIJVULLEN** op het display brandt.



1. Open het doseerbakje **B** door de tab op het deksel in te drukken en omhoog te trekken.
2. Het glansspoelmiddel zorgvuldig inbrengen tot aan de maximum (110 ml) insteekgleuf van de vulruimte - voorkom morsen.

Wanneer dit gebeurt het gemorste glansspoelmiddel onmiddellijk met een droge doek reinigen.

3. Om het te sluiten het deksel naar beneden drukken totdat u een klik hoort. **Het glansspoelmiddel NOOIT rechtstreeks in de kuip gieten.**

De dosering glansspoelmiddel aanpassen

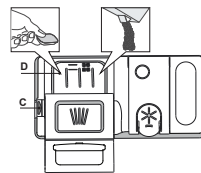
Als u niet volledig tevreden bent over de droogresultaten kunt u de gebruikte hoeveelheid glansspoelmiddel aanpassen.

Volg de instructies in het hoofdstuk „INSTELLING MENU” om dit te wijzigen. Als het niveau van het glansspoelmiddel is ingesteld op NUL (ECO) zal geen glansspoelmiddel worden afgegeven. Het controlelampje **LAAG GLANSSPOELMIDDEL** zal niet branden als het glansspoelmiddel op is. Er kan een maximum van **6** niveaus worden ingesteld, afhankelijk van het model afwasmachine.

- Als u blauwe strepen op het vaatwerk ziet stel dan een laag getal in (0-3).
- Als er druppels water of kalkaanslag op het vaatwerk zijn stel dan een hoog getal in (4-5).

HET VAATWASMIDDELDOSEERBAKJE VULLEN

Gebruik de opening apparaat **C** om het vaatwasmiddeldoseerbakje te openen. Het vaatwasmiddel alleen in het droge doseerbakje **D** invoeren. Plaats de hoeveelheid vaatwasmiddel voor voorspoelen direct in de kuip.



1. Raadpleeg bij het afmeten van het vaatwasmiddel de eerder vermelde informatie om de juiste hoeveelheid toe te voegen. In het doseerbakje **D** vindt u de aanwijzingen voor het doseren van het vaatwasmiddel.
2. Verwijder de resten vaatwasmiddel van de randen van het doseerbakje en sluit het deksel totdat het klikt.
3. Sluit het deksel van het vaatwasmiddeldoseerbakje door het omhoog te trekken tot het sluitingsmechanisme is vastgezet.

Het vaatwasmiddeldoseerbakje opent automatisch op het juiste moment, volgens het programma.

Het gebruik van vaatwasmiddelen die niet bedoeld zijn voor vaatwasmachines kan de slechte werking van het apparaat veroorzaken of het beschadigen.

DAGELIJKS GEBRUIK

1. WATERAANSLUITING CONTROLEREN

Controleer of de wasmachine is aangesloten op de waterleiding en of de waterkraan open is.

2. DE AFWASMACHINE INSCHAKELEN

Open de deur en druk op de toets **AAN/UIT**.

3. DE REKKEN VULLEN (zie REKKEN VULLEN).

4. HET VAATWASMIDDELDOSEERBAKJE VULLEN

5. HET PROGRAMMA KIEZEN EN DE CYCLUS AANPASSEN

Kies het meest geschikte programma op basis van het soort serviesgoed en de vervuilingsgraad (zie *PROGRAMMABESCHRIJVING*) door de toets van het gekozen **PROGRAMMA** in te drukken.

Selecteer de gewenste opties (zie *OPTIES EN FUNCTIES*). Niet alle opties zijn compatibel met alle programma's.

6. START

Start het programma door op de toets **START/Pauze** te drukken en de deur binnen 4 sec. te sluiten. Wanneer het programma start hoort u een enkele piep. Als de deur niet binnen 4 seconden is gesloten, hoort u een geluid ter waarschuwing. Open in dat geval de deur, druk op de **START/Pauze**-toets en sluit de deur opnieuw binnen 4 sec.

7. EINDE VAN HET WASPROGRAMMA

Het einde van de wascyclus wordt aangegeven met een geluid en op de display is **END** te zien. Open de deur en schakel het apparaat uit door op de toets **AAN/UIT** te drukken.

Een paar minuten wachten voordat het serviesgoed wordt verwijderd - om brandwonden te voorkomen. De rekken uitladen, te beginnen met het onderste rek.

EEN LOPEND PROGRAMMA WIJZIGEN

Als er een verkeerd programma geselecteerd is, kan het worden gewijzigd, mits het nog maar net begonnen is. **RESET** de machine: Houd de toets **AAN/UIT** langer dan 3 sec. ingedrukt. De machine wordt uitgeschakeld. **Het dashboard toont "0:01"**. Sluit de deur en wacht tot de afvoercyclus afgelopen is (ongeveer 1 minuut). Open de deur en schakel de machine weer in met de toets **AAN/UIT** en selecteer de nieuwe wascyclus en eventuele gewenste opties. Start het programma door op **START/Pauze** te drukken en de deur binnen 4 sec. te sluiten.

EXTRA SERVIESGOED TOEVOEGEN

Open de deur een klein stukje zonder de machine uit te schakelen, zorg dat er geen water uitspat (het controlelampje **START/Pauze** knippert) (**Let op: Hete stoom!**) en doe de vaat in de vaatwasser. Druk op de **START/Pauze**-toets en sluit de deur binnen 4 sec., de cyclus wordt hernomen vanaf het punt waarop het was onderbroken.

ONBEDOELDE ONDERBREKING

Als de deur wordt geopend of als de stroom uitvalt tijdens het programma, stopt het programma. **ALLEEN DOOR OP START/Pauze TE DRUKKEN** en de deur binnen 4 sec. te sluiten, gaat het programma weer verder vanaf het punt waarop het werd onderbroken.

ADVIEZEN EN TIPS

ADVIEZEN

Verwijder alvorens de manden te laden alle voedselresten uit het serviesgoed en leeg de glazen. **Het serviesgoed hoeft niet tevoren onder stromend water afgespoeld te worden.**

Het serviesgoed zo rangschikken dat het stevig op zijn plaats staat en niet omslaat; rangschik de containers met de openingen naar beneden gericht en de holle/bolle onderdelen schuin geplaatst, waardoor het water elk oppervlak kan bereiken en vrij kan stromen.

Waarschuwing: zorg ervoor dat deksels, grepen, platen en koekenpannen de sproeierarmen niet belemmeren bij het draaien.

Plaats geen kleine voorwerpen in de bestekmand.

Erg vervuild vaatwerk en pannen moeten in de onderste mand worden geplaatst, omdat in deze ruimte de watersproeiers sterker zijn en hogere wasprestaties hebben.

Zorg ervoor dat na het laden van het apparaat de sproeierarmen vrij kunnen draaien.

ONGESCHIKT SERVIESGOED

- Houten servies en bestek.
- Kwetsbare gedecoreerde glazen, artistiek handwerk en antiek serviesgoed. Hun decoraties zijn hier niet tegen bestand.
- Delen van synthetisch materiaal die niet bestand zijn tegen hoge temperaturen.
- Koperen en tinnen serviesgoed.
- Serviesgoed bevuild met as, was, smeervet of inkt.

De kleuren van glasdecoraties en aluminium/zilveren stukken kunnen wijzigen en vervagen tijdens het wasproces. Sommige soorten glas (bv. kristallen voorwerpen) kunnen na een aantal wascyclussen ook dof worden.

SCHADE AAN GLASWERK EN SERVIESGOED

- Gebruik alleen glas en porselein waarvan de fabrikant garandeert dat het veilig is voor de afwasmachine.
- Gebruik een zacht vaatwasmiddel dat geschikt is voor serviesgoed.
- Haal glazen en bestek uit de afwasmachine zodra het wasprogramma afgelopen is.

TIPS VOOR ENERGIEBESPARING

- Wanneer de huishoudelijke vaatwasmachine gebruikt wordt volgens de aanwijzingen van de fabrikant, **verbruikt het wassen van vaatwerk in een vaatwasmachine gewoonlijk MINDER ENERGIE en water dan met de hand afwassen.**
- Om de efficiëntie van de vaatwasmachine te maximaliseren wordt aanbevolen om **de wascyclus eerst te starten wanneer de vaatwasmachine helemaal gevuld is.** De huishoudelijke vaatwasmachine vullen tot de hoeveelheid aangegeven door de fabrikant draagt bij tot het besparen van energie en water. Informatie over het correct laden van vaatwerk vindt u in het hoofdstuk DE REKKEN VULLEN. Als de machine gedeeltelijk is gevuld, wordt aanbevolen om de speciaal daarvoor bedoelde wasopties, indien voorzien, te gebruiken (Halve lading/ Zone Wash/ Multizone) en enkel geselecteerde rekken te vullen. De vaatwasmachine onjuist of overmatig vullen kan het gebruik van de hulpbronnen verhogen (zoals water, energie en tijd, en ook het geluidsniveau) en de reinigings- en droogprestaties verlagen.
- Vaatwerk vooraf met de hand spoelen verhoogt het water- en energieverbruik en wordt niet aanbevolen.

HYGIËNE

Om te voorkomen dat zich geur en afzetting ophoopt in de afwasmachine moet u ten minste één per maand een programma met hoge temperatuur laten draaien. Gebruik een theelepelt vaatwasmiddel en laat het apparaat zonder lading draaien.

VOORZORGSMATREGELEN BIJ VORST

Als het apparaat in een vertrek is geplaatst dat aan vorst kan worden blootgesteld, **moet al het water worden afgevoerd.** Draai de waterkraan dicht, koppel de toevoer- en afvoerslangen los en laat al het water er vervolgens uitstromen. **Zorg ervoor dat de waterontharder vol zit met opgelost regenererzout in het zoutreservoir** om het apparaat te beschermen tegen temperaturen tot -20°C. Als het apparaat bij temperaturen onder nul is opgeslagen, moet het **minstens 24** uur op een omgevingstemperatuur van minimaal 5°C blijven staan alvorens het weer in te schakelen.

PROGRAMMATABEL

Programma	Beschrijving programma's	Drogen fase	NaturalDry	Beschikbare functies *)	Duur van wasprogramma (h:min)**)	Waterverbruik (liter/cyclus)	Energieverbruik (kWh/cyclus)
Eco	Eco 50° - Programma is geschikt voor het reinigen van normaal vervuild vaatwerk, dat voor dit gebruik het meest efficiënte programma is wat betreft de combinatie van energie- en waterverbruik en in overeenstemming is met de Europese Ecodesign-wetgeving, aangepast.	✓	✓		4:00	9,5	0,65
	Snel 45° - Programma dat kan worden gebruikt voor een halve lading licht vervuilde vaat zonder opgedroogde etensresten. Heeft geen droogfase.	-	✓		0:30 - 0:40	10,0 - 12,0	0,55 - 0,65
	Kristallen 45° - Programma voor kwetsbare stukken die gevoeliger zijn voor hoge temperaturen, bijvoorbeeld glazen en kopjes.	✓	✓		1:40 - 1:50	12,5 - 16,5	0,95 - 1,20
	Auto Intensief 65° - Automatisch programma voor zwaar vervuild vaatwerk en pannen.	✓	✓		2:25 - 3:10	15,5 - 24,5	1,30 - 1,70
	Auto Gemengd 55° - Automatisch programma voor normaal vuile vaat met opgedroogde etensresten.	✓	✓		1:20 - 3:00	7,5 - 19,5	0,75 - 1,20
	Auto Snel 50° - Automatisch programma voor normaal en licht vuile vaat. Het dagelijkse programma voor het optimaal reinigen en drogen in kortere tijd.	✓	✓		1:00 - 1:50	7,5 - 15,5	0,70 - 1,10
	Voorspoelen - Gebruikt om servies vochtig te houden dat later gewassen moet worden. Met dit programma wordt er geen vaatwasmiddel gebruikt.	-	✓		0:12	4,5	0,10
	Zelfreinigend 65° - Programma te gebruiken voor het onderhoud van de afwasmachine, wordt enkel uitgevoerd wanneer de afwasmachine LEEG is met gebruik van specifieke reinigingsmiddelen die speciaal ontworpen zijn voor het onderhoud van de afwasmachine.	-	-		1:15	11,0	1,10

De gegevens van het ECO-programma worden gemeten onder laboratoriumomstandigheden, volgens de Europese norm EN 60436:2020. Aanwijzing voor de Proeflaboratoria: Voor gedetailleerde informatie over de omstandigheden van de EN-vergelijkingsproef kunt u contact opnemen met: dw_test_support@europeanappliances.com Voorbehandeling van het vaatwerk vóór de programma's is niet nodig.
 *) Niet alle opties kunnen tegelijkertijd gebruikt worden.
 **) Waarden aangegeven voor andere programma's dan het Eco-programma zijn slechts indicatief. De werkelijke tijd is afhankelijk van vele factoren, zoals de temperatuur en de druk van het toevoerwater, de kamertemperatuur, hoeveelheid vaatwasmiddel, de hoeveelheid en soort lading, evenwicht van de lading, extra gekozen opties en de kalibratie van de sensor. De kalibratie van de sensor kan de duur van het programma met max. 20 min. verlengen.

OPTIES EN FUNCTIES

OPTIES kunnen na het kiezen van het programma direct worden in-/uitgeschakeld door op de betreffende toets te drukken (het indicatorlampje gaat branden, indien beschikbaar) (zie BEDIENINGSPANEEL). Als een optie niet compatibel is met het geselecteerde programma (zie PROGRAMMATABEL) gaat de bijbehorende LED 3 keer snel knipperen en klinken er pieptonen. De optie wordt niet ingeschakeld. Een optie kan de tijd of het water- of energieverbruik voor het programma wijzigen.

HALVE LADING - Als er niet veel vaat moet worden gewassen, wordt de functie HALVE LADING gebruikt om water, elektriciteit of tijd te besparen, afhankelijk van het gekozen programma.
Vergeet niet om de hoeveelheid vaatwasmiddel te verminderen.

STIL - Handig als het apparaat 's nachts draait. Deze optie kan worden gebruikt om het geluid tijdens het draaien te beperken. Het programma duurt langer, afhankelijk van het gekozen programma.

ANTIBACTERIEEL SPOELEN - Deze optie wordt gebruikt om de gewassen borden te ontsmetten. Het verhoogt de temperatuur van de laatste spoeling en voegt antibacterieel wassen toe aan het geselecteerde programma. Ideaal voor het reinigen van serviesgoed en zuigflessen. De deur van de afwasmachine moet gedurende de hele duur van het programma gesloten blijven, om de antibacteriële werking te garanderen.
WAARSCHUWING: het serviesgoed en de platen kunnen aan het einde van de cyclus extreem heet zijn.

POWERCLEAN PRO - Dankzij de extra krachtige stralen biedt deze functie een intensievere en krachtigere afwascyclus op de betreffende plek in het onderste reka. Deze functie wordt aanbevolen voor het afwassen van pannen en ovenschalen. (Zie het gedeelte over PowerClean Pro).

EKSTRAKUIV - Een hogere temperatuur en langere droogfase na de laatste spoelbeurt helpen de vaat beter te drogen. De EXTRA DROOG optie verlengt het wasprogramma.

UITSTEL - De start van het programma kan worden uitgesteld voor een periode tussen **0:30 en 24 uur**.

- Selecteer het programma en eventuele gewenste opties. Druk (meerdere keren) op de UITSTEL-toets om de start van het programma uit te stellen. Instelbaar van 0:30 tot 24 uur. Zodra de instelling van 24 uur is bereikt, drukt u nogmaals op de toets UITSTEL om de functie uit te schakelen.
- Druk op de toets START/Pauze en sluit binnen 4 seconden de deur de timer begint met aftellen.
- Wanneer deze tijd verstreken is wordt het controlelampje uitgeschakeld en begint het programma automatisch.

Zodra er een programma is gestart kan de UITSTEL-functie niet worden ingesteld.

TIJD OP DE VLOER - De resterende tijd van het programma wordt op de vloer geprojecteerd. Telkens wanneer de deur wordt geopend gaat het licht uit. Het licht gaat uit aan het einde van een programma. Deze functie is standaard actief, maar kan worden uitgeschakeld in het "INSTELLING MENU".

ONTKALKEN - Alarm - Er is kalkaanslag geconstateerd op interne onderdelen van het apparaat. **Controleer of de waterhardheid** juiste is ingesteld en of er **zout** in het zoutreservoir zit (zie EERSTE GEBRUIK). **Gebruik vervolgens een ontkalkingsmiddel** (het merk WPro wordt aanbevolen) met het programma **Zelfreinigen**. Na een succesvolle ontkalking wordt het symbool niet meer weergegeven.

Als de bovenstaande handelingen niet worden uitgevoerd, zal het apparaat minder goed werken. De waarschuwing 'Ontkalken' begint te knipperen en op het display verschijnt 'dES'. Als er nog steeds niet wordt ingegrepen, start het apparaat nog slechts enkele malen op (aangegeven met 'dES' op het display). Hierna start het apparaat niet meer om schade aan onderdelen te voorkomen. **Alleen het programma Zelfreinigen is nog beschikbaar.** Pas na een volledige ontkalking start het apparaat weer. Bij extreem veel kalkaanslag kan het nodig zijn om twee keer te ontkalken.

NaturalDry - Een convectiedroogstelsysteem dat de deur tijdens/na de droogfase automatisch opent voor buitengewone droogprestaties, elke dag weer. De deur gaat open bij een temperatuur die veilig is voor uw keukenmeubelen, dus niet wanneer de optie ANTIBACTERIEEL SPOELEN is ingeschakeld. Als extra bescherming tegen stoom wordt een speciaal ontworpen beschermingsfolie bij de vaatwasser geleverd. Raadpleeg het INSTALLATIE-BOEKJE om te zien hoe u de beschermingsfolie aanbrengt. Deze functie is standaard actief, maar kan worden uitgeschakeld in het "INSTELLING MENU".

WAARNEMEN - Wanneer de sensor meet hoe vuil de vaat is, verschijnt er een animatie op het display (ongeveer 20 min.) en wordt de programmaduur aangepast. Bij het waarnemen wordt gekeken hoe vuil de vaat is. Dit kan worden gebruikt bij alle programma's (behalve Eco) waarbij het programma dienovereenkomstig wordt aangepast.

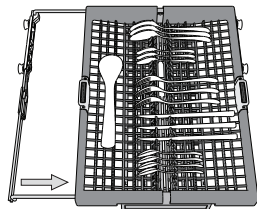
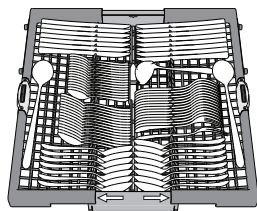
WATERTOEOVER GESLOTEN - Alarm - Knippert wanneer er geen watertoevoer is of de waterkraan gesloten is.

BESTEKLADE

Het derde rek werd ontworpen om het bestek te herbergen. Rangschik het bestek zoals op de afbeelding. Een aparte rangschikking voor het bestek maakt het oppakken na de afwas eenvoudiger en verbetert de was- en droogprestaties.

Messen en andere gebruiksvoorwerpen met scherpe randen moeten worden geplaatst met de punten naar beneden gericht.

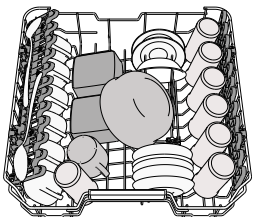
De bestekmand is uitgerust met twee schuifbladen, om optimaal gebruik te maken van de hoogte van de ruimte eronder en om het laden van hoge items in het bovenste rek mogelijk te maken.

**BOVENSTE REK**

Laden van kwetsbaar en licht vaatwerk: glazen, kopjes, schoteltjes, lage saladekommen.

Het bovenste rek heeft opklapbare steunen die in een verticale positie kunnen worden gebruikt bij het schikken van thee/dessertschoteltjes of in een lagere positie om kommen en schalen te laden.

(laadvoorbeeld voor het bovenste rek)

**De hoogte van het bovenste rek afstellen**

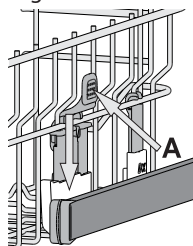
De hoogte van het bovenste rek kan worden afgesteld: hoge stand voor groot serviesgoed in de onderste mand en lage stand om optimaal gebruik te maken van de opklapbare steunen, door het creëren van meer ruimte naar boven en botsen met de items die in het onderste rek zijn geladen te voorkomen.

Het bovenste rek is uitgerust met een **hoogteversteller bovenste rek** (zie afbeelding, zonder de hefboomen te hoeven drukken, opheffen door gewoon de zijanten van het rek vast te houden, zodra het rek stabiel in de bovenste positie staat.

Voor herstellen naar de lagere positie op de hefboomen **A** aan de zijanten van het rek drukken en de mand naar beneden verplaatsen.

Het is raadzaam de hoogte van het rek niet aan te passen wanneer het is geladen.

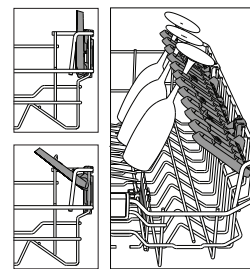
NOOIT de mand slechts aan één kant verhogen of verlagen.

**Opvouwbare kleppen met verstelbare stand**

De opvouwbare kleppen aan de zijkant kunnen worden opgevouwen of opgevouwen voor een optimale rangschikking van het serviesgoed in het rek.

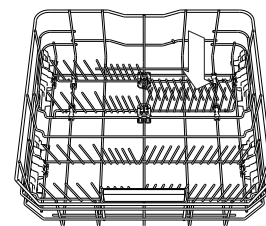
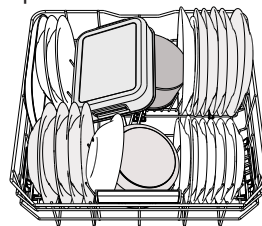
Wijn glazen kunnen veilig in de opvouwbare kleppen worden geplaatst door de steel van elk glas in de overeenkomstige sleuven in te voeren. Afhankelijk van het model:

- om de kleppen open te vouwen moet u ze omhoog schuiven en roteren of ze losmaken van de klemmen en omlaag trekken.
- om de kleppen op te vouwen moet u ze roteren en omlaag schuiven of ze omhoog trekken en aan de klemmen vastmaken.

**ONDERSTE REK**

Voor potten, deksels, platen, saladekommen, bestek enz. Grote platen en deksels moeten idealiter aan de zijanten worden geplaatst, om aanraking met de sproeiarmen te voorkomen.

Het onderste rek heeft opklapbare steunen die in een verticale positie kunnen worden gebruikt bij het schikken van platen of in een horizontale positie (lager) om pannen en saladekommen te laden.



(laadvoorbeeld voor het onderste rek)

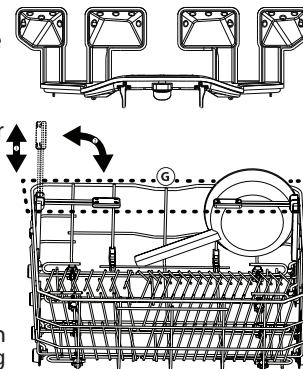
POWERCLEAN PRO

PowerClean Pro maakt gebruik van speciale waterstralen aan de achterzijde van de ruimte voor een intensievere reiniging van zeer vuile items. Het onderste rek heeft een lege ruimte, een speciale uittrekbare steun aan de achterzijde van het rek, die kan worden gebruikt ter ondersteuning van koekenpannen of braadpannen in verticale positie, zodat ze minder ruimte in beslag nemen.

Activeer **POWERCLEAN PRO** op het paneel tijdens het plaatsen van de pannen / ovenschalen tegenover het PowerClean Pro component.

PowerClean Pro gebruiken:

1. Pas het PowerClean Pro gebied (G) aan door de achterste bordenhouders omlaag te klappen om potten en pannen te laden.
2. Laad potten, pannen en schalen verticaal gekanteld in het Power Clean Pro gebied. Potten en pannen moeten naar de krachtige waterstralen toe gekanteld worden.

**REINIGING EN ONDERHOUD****HET FILTERSISTEEM REINIGEN**

Reinig het filtersysteem regelmatig, zodat de filters niet verstopten en het afvalwater correct weg stroomt.

Het gebruik van vaatwasmachines met verstopte filters of vreemde voorwerpen in het filtersysteem of de sproeiarmen kan de slechte werking ervan en bijgevolg lagere prestaties, lawaai of een hoger verbruik van hulpbronnen veroorzaken.

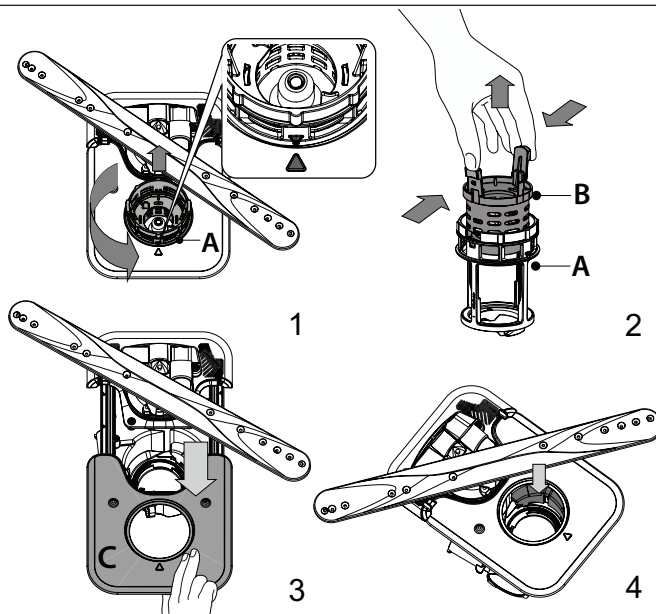
Het filtersysteem bestaat uit drie filters die voedselresten uit het afwaswater verwijderen en vervolgens het water opnieuw laten circuleren.

De afwasmachine mag niet worden gebruikt zonder filters of als het filter is losgeraakt.

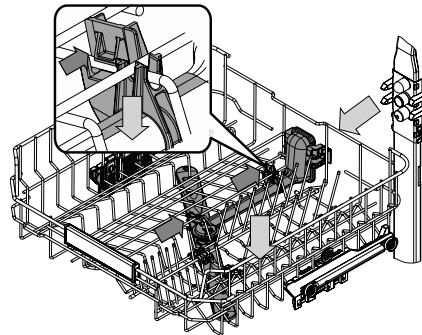
Controleer tenminste eens per maand of na elke 30 cyclussen het filtersysteem en reinig het eventueel grondig onder stromend water, met een niet-metalen borstel en volgens de onderstaande instructies:

1. Draai het cilindrische filter **A** linksom en trek het uit (Afb. 1). **Bij het terugplaatsen van het filter is het belangrijk dat de twee driehoeken die op de vergroting zijn aangegeven, elkaar raken.**
2. Verwijder het houderfilter **B** door licht op de zijkleppen te drukken (Afb. 2).
3. Schuif de roestvrij stalen plaat filter **C** er uit (Afb. 3).
4. Als u vreemde voorwerpen vindt (gebroken glas, porselein, beenderen, zaden van vruchten, enz.), **verwijder u ze zorgvuldig.**
5. Inspecteer de sifon en verwijder eventuele voedselresten. **VERWIJDER NOOIT** de pompbescherming van het wasprogramma (aangegeven door de pijl) (Afb. 4).

Na het schoonmaken van het filter het filtersysteem opnieuw plaatsen en goed op zijn plaats zetten; dit is essentieel voor het behoud van de efficiënte werking van de afwasmachine.

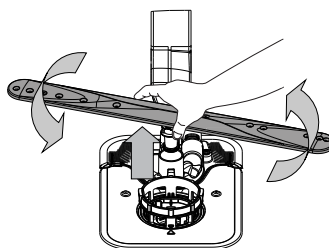


DE SPROEIERARMEN REINIGEN

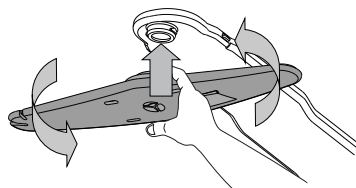


Af en toe kunnen er voedselresten op de sproeierarmen vastzitten en worden de openingen voor het water sproeien geblokkeerd. Het is daarom raadzaam dat u de armen van tijd tot tijd controleert en ze met een kleine niet-metalen borstel schoonmaakt.

U kunt de bovenste sproeier alleen samen met het spuitstuk verwijderen.



De onderste sproeierarm kan worden verwijderd door het omhoog te trekken. Trek de sproeierarm omhoog en draai hem rechtsom om hem weer te bevestigen



De bovenste sproeierarm kan worden verwijderd door deze omhoog te duwen en linksom te draaien. Trek de sproeierarm omhoog en draai hem rechtsom om hem weer te bevestigen.

PROBLEMEN OPLOSSEN

Als uw vaatwasmachine niet goed werkt, doorloopt u de onderstaande lijst om te controleren u of u het probleem kunt verhelpen. Voor andere fouten of problemen neemt u contact op met de bevoegde Consumentenservice, de contactgegevens ervan vindt u in de garantieboekje. Reserveonderdelen zijn beschikbaar voor een periode van maximaal 7 of maximaal 10 jaar, afhankelijk van de regels die van toepassing zijn.

PROBLEMEN	MOGELIJKE OORZAKEN	OPLOSSINGEN
De zoutindicator brandt	Zoutreservoir is bijna leeg.	Vul het reservoir met zout (voor meer informatie - zie HET ZOUTRESERVOIR BIJVULLEN). Controleer zo nodig de instelling van de waterhardheid - zie TABEL WATERHARDHEID.
De zoutindicator knippert	Zoutreservoir is leeg.	Vul het reservoir zo snel mogelijk met zout. Gebruik van het apparaat zonder zout kan de interne onderdelen beschadigen.
Glansspoelmiddelindicator brandt of knippert	Glansspoelmiddelbakje is leeg. (Na het bijvullen kan de glansspoelmiddelindicator nog even blijven branden).	Vul het reservoir met een glansspoelmiddel (zie - HET GLANSSPOELMIDDELRESERVOIR BIJVULLEN).
De ontkalkingsindicator brandt of knippert; het alarm „dES“ wordt weergegeven.	Er zit kalkaanslag op de interne onderdelen van het apparaat.	Ontkalk het apparaat onmiddellijk met behulp van het Zelfreinigendprogramma en een in de handel verkrijgbaar ontkalkingsmiddel (zie OPTIES EN FUNCTIES). Vul het reservoir met zout. Controleer de instelling van de waterhardheid. Als het apparaat niet wordt ontkalkt, werkt het niet meer.
De afwasmachine start niet of reageert niet op opdrachten.	Het apparaat is niet goed aangesloten.	Steek de stekker in het stopcontact.
	Stroomuitval.	Om veiligheidsredenen start de vaatwasser niet automatisch opnieuw op wanneer de stroom weer beschikbaar is. Open de deur van de vaatwasmachine, druk op de START/Pauze-toets en sluit de deur binnen 4 sec.
	De deur van de afwasmachine is niet goed gesloten. De pin NaturalDry is niet ingetrokken.	De deur krachtig aanduwen totdat u de „klik“ hoort.
	Een programma wordt onderbroken als de deur langer dan 4 seconden wordt geopend.	Druk op START/Pauze en sluit de deur binnen 4 seconden.
De afwasmachine pompt niet af. Weergave op het display: F7 E3 of F9 E1	Het bedieningspaneel reageert niet of F6 E1 wordt weergegeven.	Schakel het apparaat uit door op de toets AAN/UIT/Reset te drukken, schakel het na ongeveer een minuut weer in en start het programma opnieuw. Als het probleem niet is verholpen, trekt u de stekker van het apparaat 1 minuut uit het stopcontact en plaatst u hem weer terug.
	Filter is verstopt met voedselresten of kalkaanslag.	Reinig het filter en ontkalk het apparaat (zie HET FILTERSISTEEM REINIGEN en ONTKALKEN).
	Er zit een knik in de afvoerslang.	Controleer de afvoerslang (zie AANWIJZINGEN VOOR INSTALLATIE).
De vaatwasser maakt veel lawaai.	De pijp van de gootsteenafvoer is geblokkeerd.	Reinig de pijp van de gootsteenafvoer.
	Het serviesgoed rammelt tegen elkaar.	Rangschik het serviesgoed goed (zie REKKEN VULLEN).
	Er is te veel schuim aanwezig.	Het vaatwasmiddel is niet goed afgemeten of het is niet geschikt voor gebruik in afwasmachines (zie HET VAATWASMIDDELDOSEERBAKJE VULLEN). Start de actuele wascyclus opnieuw: schakel de afwasmachine UIT, vervolgens terug in, selecteer een nieuw programma, druk op START/Pauze en sluit de deur binnen 4 seconden. Voeg geen vaatwasmiddel toe.
	Het serviesgoed is niet goed gerangschikt.	Rangschik het serviesgoed goed (zie REKKEN VULLEN).
Het vaatwerk is niet schoon.	Het filter is verstopt met voedselresten of kalkaanslag.	Reinig het filtersysteem (zie REINIGING EN ONDERHOUD).
	Het serviesgoed is niet goed gerangschikt.	Rangschik het serviesgoed goed (zie REKKEN VULLEN).
	Sproeierarmen kunnen niet vrij draaien, ze worden door het serviesgoed belemmerd.	Rangschik het serviesgoed goed (zie REKKEN VULLEN). Controleer of het bovenste rek in de juiste stand staat en stel het zo nodig bij (optillen).
	Het wasprogramma is te zacht.	Selecteer een geschikt wasprogramma (zie PROGRAMMATABEL).
	Er is te veel schuim aanwezig.	Het vaatwasmiddel is niet goed afgemeten of het is niet geschikt voor gebruik in afwasmachines (zie HET VAATWASMIDDELDOSEERBAKJE VULLEN).
	De dop op het glansspoelmiddelcompartiment is niet goed afgesloten.	Zorg ervoor dat de dop van het glansspoelmiddelbakje is gesloten.
Het filter is verstopt met voedselresten of kalkaanslag.	Reinig het filter en ontkalk het apparaat (zie HET FILTERSISTEEM REINIGEN).	
Het zoutreservoir is leeg.	Vul het zoutreservoir (zie HET ZOUTRESERVOIR BIJVULLEN).	

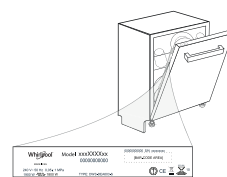
PROBLEMEN	MOGELIJKE OORZAKEN	OPLOSSINGEN
De afwasmachine vult zich niet met water. Op het scherm: H2O is verlicht; er klinkt een geluid-salarm."	Geen water in de watertoevoer of de kraan is gesloten.	Zorg ervoor dat er water in de watertoevoer komt en dat de kraan open staat.
	Er zit een knik in de toevoerslang.	Controleer de toevoerslang (zie <i>INSTALLATIE</i>). Open de deur van de vaatwasmachine, druk op de START/Pauze-toets en sluit de deur binnen 4 sec.
	De zeef in de watertoevoerslang is verstopt; het moet gereinigd worden.	Controleer en reinig de zeef in de watertoevoerslang. Open de deur van de vaatwasmachine, druk op de START/Pauze-toets en sluit de deur binnen 4 sec.
De vaatwasser beëindigt het programma voortijdig. Op het scherm: F8 E3	Filter is verstopt met voedselresten of kalkaanslag.	Reinig het filter en ontkalk het apparaat (zie <i>HET FILTERSYSTEEM REINIGEN en ONTKALKEN</i>).
	De afvoerslang zit te laag of hevelt naar de riolering.	Controleer of het uiteinde van de afvoerslang op de juiste hoogte is geplaatst (zie <i>INSTALLATIE</i>). Controleer of er naar het riool wordt geheveld en installeer zo nodig een hevelonderbreker/luchttoevoerklep.
	Er is te veel schuim aanwezig.	Het vaatwasmiddel is niet goed afgemeten of het is niet geschikt voor gebruik in afwasmachines (zie <i>HET VAATWASMIDDELDOSEERBAKJE VULLEN</i>).
	Lucht in de watertoevoer.	Controleer de watertoevoer op lekken of andere problemen die lucht binnenlaten.
Het serviesgoed is niet goed droog.	Er is geen spoelglansmiddel aanwezig of de dosering is te laag.	Zorg ervoor dat het spoelglansmiddelbakje gevuld is (zie <i>HET GLANSSPOELMIDDELRESERVOIR BIJVULLEN</i>). Met multifunctionele tabletten droogt het serviesgoed niet zo goed als wanneer er een vloeibaar spoelglansmiddel wordt gebruikt.
	Het serviesgoed is uit het apparaat gehaald nadat de deur automatisch werd geopend, maar vóór het einde van het programma.	Controleer of het programma is afgelopen voordat u het serviesgoed uit het apparaat haalt (zie <i>DAGELIJKS GEBRUIK</i>). Laat het serviesgoed nog 15 minuten met de deur open in de vaatwasser staan nadat het programma is afgelopen om het extra goed te laten drogen.
	Het serviesgoed is te vlak gerangschikt.	Als er water in de holtes van kopjes, mokken of kommen blijft staan, probeer het serviesgoed dan schuiner te laden (vooral in het bovenste rek) zodat het water kan weglopen voordat het drogen begint.
	Het geselecteerde programma heeft geen droogfase.	Controleer in de <i>PROGRAMMATABEL</i> of het geselecteerde programma een droogfase heeft. Programma's zonder de droogfase drogen minder goed. Voor een goede droging is het raadzaam een programma met droogfase te kiezen.
Het vaatwerk heeft een antiaanbaklaag of is van kunststof.	Het is normaal dat waterdruppels op dit soort materiaal achterblijven.	
Er zitten blauwe strepen of blauwachtige tinten op het serviesgoed.	De dosering van glansspoelmiddel is te hoog.	Stel de dosering lager in.
Het serviesgoed is bedekt met kalk of een witachtige film.	Zoutreservoir is leeg.	Vul het reservoir zo snel mogelijk met zout. Gebruik van het apparaat zonder zout kan de interne onderdelen beschadigen.
	De waterhardheid is te laag ingesteld.	Verhoog de instelling (zie <i>TABEL WATERHARDHEID</i>).
	De dop van het zoutreservoir is niet goed gesloten.	Controleer en sluit de dop van het zoutreservoir.
Het spoelglansmiddelreservoir is leeg of de spoelglansmiddeldosering is onvoldoende.	Vul het reservoir met spoelglansmiddel en controleer de doseerinstelling (zie - <i>HET GLANSSPOELMIDDELRESERVOIR BIJVULLEN</i>).	
Op de vaatwasser staat F8 E5	De klep is geblokkeerd of defect.	Sluit de kraan, indien mogelijk. Schakel de voeding niet uit. Bel de klantenservice.



De bedrijfsregels, standaarddocumentatie, bestellen van onderdelen en aanvullende productinformatie kunt u vinden:

- Gebruik makend van de QR-code en op onze website: docs.bauknecht.eu
- Op onze website: parts-selfservice.europeanappliances.com
- Anders, **contacteer onze Klantenservice** (Het telefoonnummer staat in het garantieboekje). Wanneer u contact neemt met de Klantenservice, gelieve de codes te vermelden die op het identificatieplaatje van het apparaat staan.

De modelinformatie kan gevonden worden aan de hand van de QR-code die op het energielabel aangegeven is. Het label bevat ook de model-ID die kan worden gebruikt om het portaal van het register te raadplegen op <https://eprel.ec.europa.eu>.



400011701854B

05/2024 ks - Xerox Fabriano

