

**Instructions for use**

دليل الاستعمال



**Brugsanvisninger**

**Käyttöohje**



**Consignes d'utilisation**  
**Istruzioni per l'uso**



**Brukerveiledning**  
**Bruksanvisning**

<b>ENGLISH</b>	Instructions for use	Page 3
صفحة 12	دليل الاستعمال	عربي
<b>DANSK</b>	Brugsanvisninger	Side 21
<b>SUOMI</b>	Käyttöohje	Sivu 30
<b>FRANÇAIS</b>	Consignes d'utilisation	Page 39
<b>ITALIANO</b>	Istruzioni per l'uso	Pagina 48
<b>NORSK</b>	Brukerveiledning	Side 57
<b>SVENSKA</b>	Bruksanvisning	Sidan 66

# INDEX

Chapter 1: <b>INSTALLATION</b> .....	4
1.1. INSTALLING SINGLE APPLIANCE .....	4
1.2. INSTALLING TWO APPLIANCES .....	4
1.3. ADJUST DOORS (IF AVAILABLE).....	4
Chapter 2: <b>FUNCTIONS</b> .....	5
2.1. ON/STAND BY .....	5
2.2. SMART DISPLAY*.....	5
2.3. 6TH SENSE FRESH CONTROL / PROFRESH .....	5
2.4. DOOR OPEN ALARM.....	5
2.5. VACATION .....	5
2.6. FAST COOL .....	5
2.7. ZERO DEGREES DRAWER* .....	6
2.8. FAN.....	6
2.9. TEMPERATURE SETTING .....	6
2.10. NO-FROST REFRIGERATOR COMPARTMENT .....	6
2.11. LED LIGHT SYSTEM*.....	7
2.12. HUMIDITY CONTROLLED CRISPER* .....	7
Chapter 3: <b>USE</b> .....	7
3.1. HOW TO INCREASE FRIDGE STORAGE CAPACITY .....	7
3.2. NOTES .....	7
Chapter 4: <b>FOOD-STORAGE TIPS</b> .....	7
4.1. AIR VENTILATION .....	7
4.2. HOW TO STORE FRESH FOOD AND BEVERAGE .....	7
4.3. WERE TO STORE FRESH FOOD AND BEVERAGE .....	8
Chapter 5: <b>FUNCTIONAL SOUNDS</b> .....	8
Chapter 6: <b>RECOMMENDATION IN CASE OF NO USE OF THE APPLIANCE</b> .....	9
6.1. ABSENCE / VACATION .....	9
6.2. MOVING .....	9
6.3. POWER FAILURE .....	9
Chapter 7: <b>MAINTENANCE AND CLEANING</b> .....	9
Chapter 8: <b>TROUBLESHOOTING GUIDE</b> .....	10
8.1. BEFORE CONTACTING AFTER-SALES SERVICE.....	10
8.2. FAILURES .....	10
Chapter 9: <b>AFTER-SALES SERVICE</b> .....	11
Others:	
REVERSE DOOR SWING (VERSION_1).....	75
REVERSE DOOR SWING (VERSION_2).....	77

**NOTE:**

The instructions apply to several models, so there may be differences. Sections which only apply to certain appliances are indicated with an asterisk (\*). Functions which are dedicated specially for your already bought model of product you will find in QUICK START GUIDE.

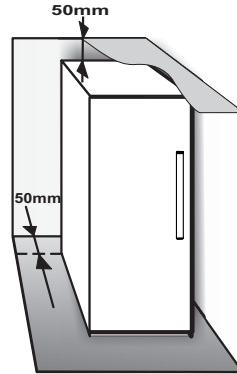
# 1. INSTALLATION

## 1.1. INSTALLING SINGLE APPLIANCE

To guarantee adequate ventilation, leave a space on both sides and above the appliance.

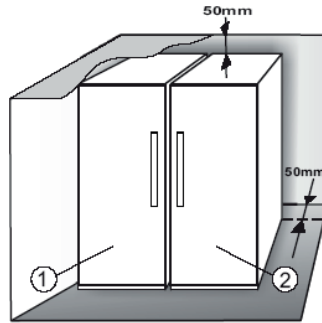
The distance between the rear of the appliance and the wall behind the appliance should be at least 50mm.

A reduction of this space will increase the Energy consumption of product.

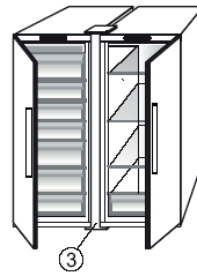


## 1.2. INSTALLING TWO APPLIANCES

During installing the freezer ① and the fridge ② together ensure that the freezer is located on the left and the fridge on the right (as shown on the drawing). Left side of refrigerator is equipped with special device in order to avoid condensation problems between appliances.



We recommended installing two appliances together using the linking-kit ③ (as shown on the drawing). You can buy it in Service.

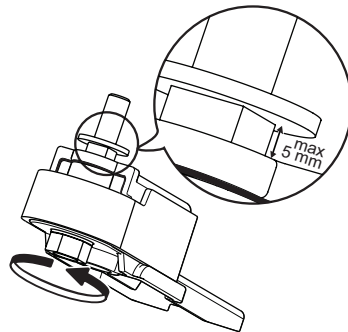


## 1.3. ADJUST DOORS (IF AVAILABLE)

To level the doors using the adjustable lower hinge (select models)


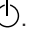
If the refrigerator door is lower than the freezer door, raise the refrigerator door by turning the adjustment screw counterclockwise using a M10 wrench.

If the freezer door is lower than the refrigerator door, raise the freezer door by turning the adjustment screw counterclockwise using a M10 wrench.



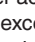
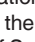
## 2. FUNCTIONS

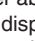
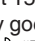
### 2.1. ON/STAND BY

This function turns On/Stand-by the refrigerator. To put the product in Stand-by, press & hold the On/Stand-by button  for 3 seconds. When the appliance is in Stand-by, the light inside the refrigerator compartment does not work. Remember that this operation does not disconnect the appliance from the power supply. To switch the appliance On again, simply press the On/Stand-By button .

### 2.2. SMART DISPLAY\*

This optional function can be used to save energy. Please follow the instructions contained in the Quick Start Guide to activate/deactivate the function. Two seconds after activation of the Smart Display, the display goes off. To adjust the temperature or use other functions, it is necessary to activate the display by pressing any button.

After activation of the Smart Display, the display goes off, except the  "Sense Fresh Control" /  "ProFresh" indicator. If Smart Display is active - to adjust the temperature or use other functions, it is necessary to activate the display by pressing any button.

After about 15 seconds without performing any action, the display goes off again and only the  "Sense Fresh Control" /  "ProFresh" indicator remains visible. When function is deactivated the normal display is restored. The Smart Display is automatically disabled after a power failure. Remember that this function does not disconnect the appliance from the power supply, but only reduces the power consumed by external display.

**Note:** The declared appliance energy consumption refers to operation with the Smart Display function activated.


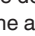
### 2.3. 6TH SENSE FRESH CONTROL

#### PROFRESH

This function allows optimum storage conditions (regarding temperature and humidity) to be quickly reached inside the appliance. The fan must also be switched on for it to work properly. The "6th Sense Fresh Control" / "ProFresh" is activated by default. To activate or deactivate this function – see enclosed Quick Start Guide.

After a power blackout or exit from Stand-by to normal mode, the "6th Sense Fresh Control" / "ProFresh" status resets to default i.e. active.

### 2.4. DOOR OPEN ALARM

The Alarm icon  lights up blinking and the acoustic alarm sounds. The alarm is activated when the door is left open for more than 2 minutes. To disengage the door alarm close the door, or press once Stop Alarm button  to mute the acoustic alarm.

### 2.5. VACATION

This function can be activated to reduce the energy consumption of the appliance during a period of absence.

Before activating the feature, all perishable food should be removed from the refrigeration compartment and make sure that the door is closed properly, since the refrigerator will maintain a suitable temperature to prevent the formation of unpleasant odors (+12°C).

To activate/ deactivate press the Vacation mode button for 3 seconds. When the function is enabled, the related symbol will light up and the temperature of the refrigerator compartment will be set to a higher setpoint (the temperature display will show the new temperature setpoint of +12°C).

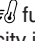
Changing the temperature setpoint will automatically deactivate the function.

#### Attention:

- **Incompatibility with the "Fast Cool" function**  
To guarantee optimal performance, the "Vacation" and "Fast Cool" functions cannot be used at the same time. Therefore, if the "Fast Cool" function has been already engaged, it has to be disengaged first to activate the "Vacation" function (and vice-versa).

### 2.6. FAST COOL

**The use of this function is recommended when placing a very high quantity of food in the refrigerator compartment.**

Using Fast Cool  function it is possible to increase the cooling capacity in the refrigerator compartment. To maximize the cooling capacity, please keep the fan switch on.

#### Attention:

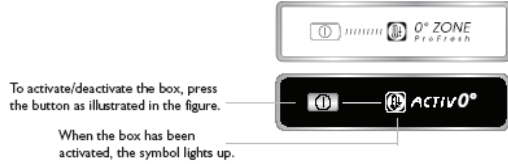
- **Incompatibility with the "Vacation" function**  
To guarantee optimal performance, the "Vacation" and "Fast Cool" functions cannot be used at the same time. Therefore, if the "Vacation" function has been already engaged, it has to be disengaged first to activate the "Fast Cool" function (and vice-versa).

\*Available on selected models only. Please check on the QUICK START GUIDE if this function is actually available on your model.

## 2.7. ZERO DEGREES DRAWER\*

The Zero Degrees Drawer is specifically designed to maintain a low temperature and a suitable humidity level, in order to keep foods fresher for longer (e.g. meat, fish, fruit and winter vegetables).

### Activating and deactivating the box



The temperature inside the box, when active, is approximately 0°. The following factors are vital for the “Zero Degrees” box to work properly:

- the refrigerator compartment must be switched on
- the temperature of the refrigerator compartment must be between +2°C and +5°C
- the box must be inserted to enable activation
- no special functions must have been selected (Standby, Vacation – where applicable).

If one of these special functions has been selected, the “Zero Degrees” box must be deactivated manually, and any fresh food inside it removed. If manual deactivation does not take place, the box will be deactivated automatically after 8 hours.

### Note:

- if the symbol does not light up when the function is activated, check that the drawer is properly inserted; if the problem persists, contact your nearest authorized After-sales Service
- if the function is active and the drawer open, the symbol on the control panel may be deactivated automatically. If the drawer is inserted, the symbol will become active again
- irrespective of the state of the function, a slight noise may be heard: this is normal and is not a cause for concern.
- when the function is not active, the temperature in the drawer depends on the general temperature inside the refrigerator.

In this case, we recommend it is used to store fruit and vegetables which are not sensitive to cold temperatures (fruits of the forest, apples, apricots, carrots, spinach, lettuce, etc.).

**Important:** when the function is activated and there are foodstuffs with a high water content, condensation may form on shelves. In this case, disable the function temporarily.

## 2.8. FAN

The Fan improves temperature distribution inside the product, allowing better preservation of stored food. By default, the fan is switched on. It is advisable to keep the fan switched on, so that the 6th Sense Fresh Control / ProFresh function can work properly and also when the ambient air temperature is above 27 ± 28°C or if you notice drops of water on the glass shelves or in severe humidity conditions. Please note that when the fan is switched on it will not continuously work. The fan will start/stop working depending on the temperature and/or humidity level inside the product. It is therefore absolutely normal if the fan does not move even if the fan is switched on.

To activate or deactivate this function – see enclosed Quick Start Guide.

**Attention:** Switching-off the Fan deactivate the 6th Sense Fresh Control / ProFresh function.

### Note:

#### Do not obstruct the air intake area with food items.

To guarantee the right performance at lower ambient temperature (colder than 18°C) and to minimize Energy Consumption, turn off the fan.

To turn off the fan please see above procedure.

If the appliance has the Fan it can be equipped with the **antibacterial filter**.

Remove it from the box placed in the crisper drawer and insert into the cover of fan.

The replacement procedure is included in the filter box.

## 2.9. TEMPERATURE SETTING

The appliance is normally factory-set for operation at the recommended temperature of 5°C. The internal temperature can be adjusted between 8°C and 2°C, proceeding as follows:

- Press the temperature setting button (°C). The storage temperature can be changed by -1°C with each pressure of the button: the value changes cyclically between 8°C and 2°C.

**Note:** Displayed set points correspond to the average temperature throughout the whole refrigerator.

## 2.10. NO-FROST REFRIGERATOR COMPARTMENT

Refrigerator compartment defrosting is completely automatic.

Droplets of water on the rear wall inside the refrigerator compartment indicate that the automatic defrost phase is in progress. The defrost water is automatically run into a drain hole and collected in a container, where it evaporates.

\*Available on selected models only. Please check on the QUICK START GUIDE if this function is actually available on your model.

## 2.11. LED LIGHT SYSTEM\*

The light system inside the fridge compartment uses LEDs light, allowing a better lighting as well as very low energy consumption. If the LED light system does not work, please contact the Service to replace it.

### Important:

The refrigerator compartment light switches on when the refrigerator door is opened. If the door is kept open for more than 10 minutes the light will be automatically switched off.

## 3. USE

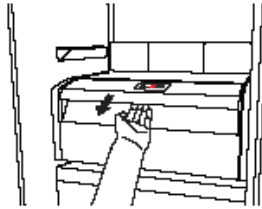
### 3.1. HOW TO INCREASE FRIDGE STORAGE CAPACITY

You can increase storage capacity by removing the "ZERO DEGREES DRAWER"\*

In this case proceed as follows:

- switch off the box
- pull out the drawer and the white plastic shelf underneath the box.

**Note:** the upper shelf and the side support cannot be removed. To restore "Zero Degrees Drawer" operation, make sure you replace the white plastic box before inserting the drawer and reactivating the function. To optimise energy consumption, we recommend you deactivate the "Zero Degrees Drawer" and remove it.



## 4. FOOD-STORAGE TIPS

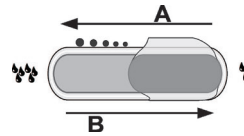
The refrigerator is the ideal storage location for ready meals, fresh and preserved food, dairy products, fruit and vegetables and beverage.

### 4.1. AIR VENTILATION

- The natural circulation of air in the refrigerator compartment results in zones with different temperatures. It is coldest directly above the fruits and vegetables crisper and at the rear wall. It is warmest at the top front of the compartment.
- Insufficient ventilation results in an increase in energy consumption and reduction of the refrigerating performance.

## 2.12. HUMIDITY CONTROLLED CRISPER\*

The salad crispers fitted inside the fridge have been specially designed for the purpose of keeping fruit and vegetables fresh and crisp. Open the humidity regulator (position B) if you want to store food in a less humid environment like fruit, or close it (position A) to store food in a more humid environment like vegetable.



### 3.2. NOTES

- Do not block the air outlet area (on the back wall inside the product) with food products.
- If the freezer is provided with a flap, it is possible to maximize the storage volume by removing the flap.
- All shelves, flaps and pull-out baskets are removable.
- The internal temperatures of the appliance may be affected by the ambient temperature, frequency of door opening, as well as location of the appliance. Temperature setting should take into consideration these factors.
- Unless otherwise specified the appliance accessories are not dishwasher safe.
- Use Smart Display function as frequently as possible.

### 4.2. HOW TO STORE FRESH FOOD AND BEVERAGE

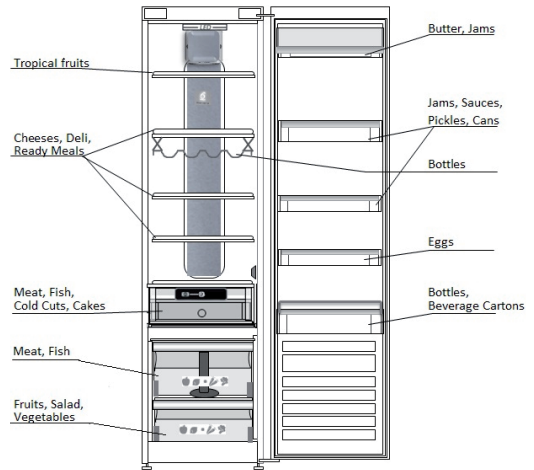
- Use recyclable plastic, metal, aluminum and glass containers and cling film to wrap foods.
- Always use closed containers for liquids and for food that may give off or be tainted by odor or flavor transfer or cover them.
- Foods which give off a large amount ethylene gas and those that are sensitive to this gas, such as fruit, vegetables and salad, should always be separated or wrapped so as not to reduce the storage life; for example do not store tomatoes together with kiwi fruits or cabbage.
- Do not store food too close together to enable sufficient air circulation.
- To avoid bottles falling over, you can use the bottle holder (available on selected models).
- If you have a little quantity of food to store in the refrigerator, we recommend to use the shelves above the crisper for fruits and vegetables since this is the coolest area of the compartment.

\*Available on selected models only. Please check on the QUICK START GUIDE if this function is actually available on your model.

#### 4.3. WERE TO STORE FRESH FOOD AND BEVERAGE

- On the fridge shelves: ready meals, tropical fruits, cheeses, deli.
- In the coldest area – Zero Degrees drawer\* (the one above Cooler Compartment): meat, fish, cold cuts, cakes.
- In the fruits and vegetables crisper: fruits, salad, vegetables.
- In the door: butter, jams, sauces, pickles, cans, bottles, beverage cartons, eggs.

#### EXAMPLE OF FOOD ARRANGEMENT



### 5. FUNCTIONAL SOUNDS

Sounds coming from your appliances are normal since it has a number of fans and engines to regulate performances that switch on and off automatically.

- Checking if the internal components are correctly placed.
- Checking if bottles and containers are not in contact with each other.

Some of the functional sounds can be reduced through

- Leveling the appliance and installing it on an even surface.
- Separating and avoiding contact between the appliance and furniture.

Some of the functional sounds you might hear:

A hissing sound when switching on the appliance for the first time or after a long pause.



A gurgling sound when refrigerant fluid enters into the pipes.



BRRR sound is from the compressor running.



Buzzing sound when water valve or fan start working.



A cracking sound when compressor starts or when ready ice drops into ice box abrupt clicks when compressor switches on and off.



The CLICK is from the thermostat which adjusts how often the compressor is running.



\*Available on selected models only. Please check on the QUICK START GUIDE if this function is actually available on your model.



## 6. RECOMMENDATION IN CASE OF NO USE OF THE APPLIANCE

### 6.1. ABSENCE / VACATION

In case of vacation its recommended to use up food and to disconnect the appliance to save energy.

### 6.2. MOVING

1. Take out all internal parts.
2. Wrap them well, and fix them together with adhesive tape so that they do not bang together or get lost.
3. Screw the adjustable feet so that they do not touch the support surface.
4. Close and fix door with adhesive tape and, again using adhesive tape, fix the power cable to the appliance.

### 6.3. POWER FAILURE

In the event of a power failure, call the local office of your electricity supply company and ask how long it is going to last.

**Note:** Bear in mind that a full appliance will stay cold longer than a partially filled one.

If food is found to be in a poor condition, it is best to throw it away.

#### For power failures lasting up to 24 hours.

1. Keep the door of the appliance closed. This will allow the stored food to stay cold as long as possible.

#### For power failures lasting more than 24 hours.

1. Try to use up the food, which is more easily perishable.

## 7. MAINTENANCE AND CLEANING

Before any cleaning or maintenance operation, unplug the appliance from the mains or disconnect the electrical power supply.

Periodically clean the appliance with a cloth and a solution of lukewarm water and neutral detergent specifically for refrigerator interiors. Never use abrasives. Never clean refrigerator parts with flammable fluids. The fumes can create a fire hazard or explosion. Clean the outside of the appliance and the door seal with a damp cloth and dry with a soft cloth. Do not use steam cleaners.

Condenser placed in the rear of the appliance should be cleaned regularly using a vacuum cleaner.

Condenser placed in the rear of the appliance should be cleaned regularly using a vacuum cleaner.

#### Important:

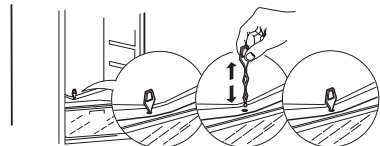
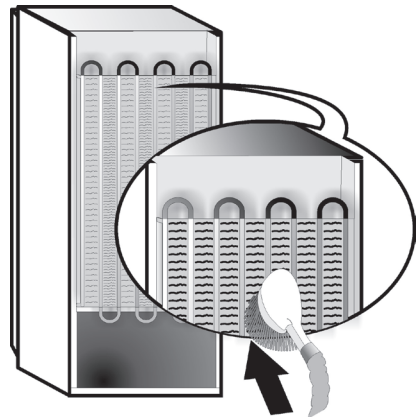
- The buttons and control panel display must not be cleaned with alcohol or alcohol-derived substances, but with a dry cloth.
- The refrigeration system pipes are located near the defrost pan and can become hot. Periodically clean them with a vacuum cleaner.

To ensure continuous and correct flow of defrost water, regularly clean the inside of the draining hole on the back of the refrigerator near the fruit and vegetable drawer, using the tool provided .

**Before cleaning the “Zero Degrees Drawer” (including the outside), remove the drawer so as to disconnect the box from the electricity supply.**

Clean the box and all its parts regularly, using a cloth and a solution of warm water and neutral detergent specifically formulated for refrigerator interiors (take care not to immerse the white plastic shelf underneath the box in water).

Never use abrasive detergents.



\*Available on selected models only. Please check on the QUICK START GUIDE if this function is actually available on your model.


# 8. TROUBLESHOOTING GUIDE




## 8.1. BEFORE CONTACTING AFTER-SALES SERVICE...

Performance problems often result from little things you can find and fix yourself without tools of any kind.

PROBLEM	SOLUTION
<b>The appliance is not working:</b>	<ul style="list-style-type: none"> <li>Is the power cable plugged into a live socket with the proper voltage?</li> <li>Have you checked the protection devices and fuses of the electrical system in your home?</li> </ul>
<b>If there is water in the defrost pan:</b>	<ul style="list-style-type: none"> <li>This is normal in hot, damp weather. The pan can even be half full. Make sure the appliance is level so that the water does not overflow.</li> </ul>
<b>If the edges of the appliance cabinet, which come in contact with the door seal, are warm to the touch:</b>	<ul style="list-style-type: none"> <li>This is normal in hot weather and when the compressor is running.</li> </ul>
<b>If the light does not work:</b>	<ul style="list-style-type: none"> <li>Have you checked the protection devices and fuses of the electrical system in your home?</li> <li>Is the power cable plugged into a live socket with the proper voltage?</li> <li>In case the LEDs are broken the user must call the Service for exchange of the same type available only at our After-sales Service Centers or authorized dealers.</li> </ul>
<b>If the motor seems to run too much:</b>	<ul style="list-style-type: none"> <li>Motor running time depends on different things: number of door openings, amount of food stored, temperature of the room, setting of the temperature controls.</li> <li>Is the condenser (back the appliance) free of dust and fluff?</li> <li>Are the door properly closed?</li> <li>Are the door seals properly fitted?</li> <li>On hot days or if the room is warm, the motor naturally runs longer.</li> <li>If the appliance door has been left open for a while or if large amounts of food have been stored, the motor will run longer in order to cool down the interior of the appliance.</li> </ul>
<b>If the appliance temperature is too high:</b>	<ul style="list-style-type: none"> <li>Are the appliance controls correctly set?</li> <li>Has a large amount of food been added to the appliance?</li> <li>Check that the door is not opened too often.</li> <li>Check that the door close properly.</li> </ul>
<b>If the doors do not open and close properly:</b>	<ul style="list-style-type: none"> <li>Check that food packages are not blocking the door.</li> <li>Check that the internal parts or automatic ice maker are not out of position.</li> <li>Check that the door seals are not dirty or sticky.</li> <li>Ensure the appliance is level.</li> </ul>

## 8.2. FAILURES

In the event of operation alarms, they will also be displayed in the digits LEDs, (e.g. Failure1, Failure 2, etc...) call After-sales Service and specify the alarm code. The acoustic alarm sounds, the Alarm icon  lights up and the F letter on the digit display blinks according to failure code described below:

Failure code	Visualization
Error 2	F letter blink on/off at 0,5 sec. Blinks ON 2 times then remain off for 5 seconds. Pattern repeats.  x2
Error 3	F letter blink on/off at 0,5 sec. Blinks ON 3 times then remain off for 5 seconds. Pattern repeats.  x3
Error 6	F letter blink on/off at 0,5 sec. Blinks ON 6 times then remain off for 5 seconds. Pattern repeats.  x6

\*Available on selected models only. Please check on the QUICK START GUIDE if this function is actually available on your model.

## 9. AFTER-SALES SERVICE

### Before contacting After-Sales Service:

Switch the appliance on again to see if the problem has been solved. If it has not, disconnect the appliance from the power supply and wait for about an hour before switching on again.

If, after performing the checks described in the Troubleshooting Guide and switching the appliance on again, your appliance still does not work properly, contact the After-sales Service, explain the problem.

### Specify:

- the model and appliance serial number (stated on the rating plate),
- the nature of the problem,

**SERVICE** 0000 000 00000



- the Service number (the number after the word SERVICE on the data plate on the inside of the appliance),
- your full address,
- your telephone number and area code.

### Note:

The direction of door opening can be changed. If this operation is performed by After-sales Service it is not covered by the warranty.

## فهرس المحتويات

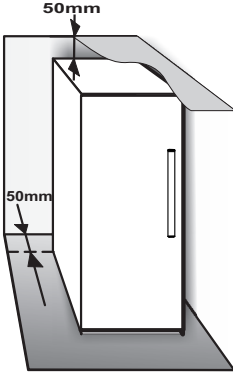
13	الفصل 1: التركيب
13	1.1 تركيب جهاز مفرد
13	1.2 تركيب جهازين
13	1.3 ضبط الأبواب (إن أمكن)
14	الفصل 2: الوظائف
14	2.1 وضع التشغيل/وضع الاستعداد
14	2.2 العرض الذكي *SMART DISPLAY
14	2.3 وظيفة 6TH SENSE FRESH CONTROL / وظيفة PROFRESH
14	2.4 إنذار فتح الباب
14	2.5 وظيفة العطلات VACATION
14	2.6 وظيفة التبريد السريع FAST COOL
15	2.7 درج درجة الصفر*
15	2.8 المروحة
15	2.9 ضبط درجة الحرارة
15	2.10 حيز التبريد المقاوم لتكون الثلج NO FROST
16	2.11 نظام إضاءة *LED
16	2.12 الدرج المتحكم في الرطوبة*
16	الفصل 3: الاستخدام
16	3.1 كيفية زيادة سعة تخزين الثلاجة
16	3.2 ملاحظات
16	الفصل 4: نصائح تخزين الطعام
16	4.1 التهوية
16	4.2 كيفية تخزين الأطعمة والمشروبات الطازجة
17	4.3 مكان تخزين الأطعمة والمشروبات الطازجة
17	الفصل 5: الأصوات الوظيفية
18	الفصل 6: توصيات في حالة عدم استخدام الجهاز
18	6.1 الغياب / العطلات
18	6.2 تغيير السكن
18	6.3 انقطاع التيار الكهربائي
18	الفصل 7: الصيانة والتنظيف
19	الفصل 8: دليل التغلب على الأعطال
19	8.1 قبل الاتصال بخدمة ما بعد البيع
19	8.2 الأعطال
20	الفصل 9: خدمة ما بعد البيع
	نقاط أخرى:
75	عكس تارج الباب (الإصدار_1)
77	عكس تارج الباب (الإصدار_2)

### ملحوظة:

تسري التعليمات على عدة موديلات، ولذا فقد تكون هناك بعض الاختلافات. يشار إلى الأجزاء السارية على أجهزة معينة بعلامة النجمة (\*).  
الوظائف المخصصة لموديل جهازك الذي اشتريته للتو واردة في دليل التشغيل السريع.

# 1. التركيب

## 1.1 تركيب جهاز مفرد

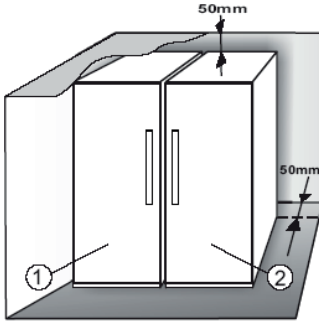


لضمان وجود تهوية كافية، اترك مسافة على كلا الجانبين وفوق الجهاز.

يجب أن تكون المسافة بين الجانب الخلفي للجهاز والجدار الموجود خلف الجهاز 50 مم على الأقل.

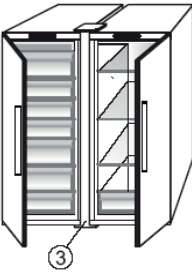
وتقليل هذه المسافة يزيد من استهلاك المنتج للطاقة.

## 1.2 تركيب جهازين



أثناء تركيب الفريزر ① والثلاجة ② سوياً، تحقق من وضع الفريزر جهة اليسار والثلاجة جهة اليمين (كما هو مبين في الشكل). فالجانب الأيسر من الثلاجة مزود بجهاز خاص لتجنب مشاكل التكثف بين الأجهزة.

نوصي بتركيب الجهازين سوياً باستخدام طقم التوصيل ③ (كما هو موضح بالشكل). والذي يمكنك شرائه من مركز الخدمة.

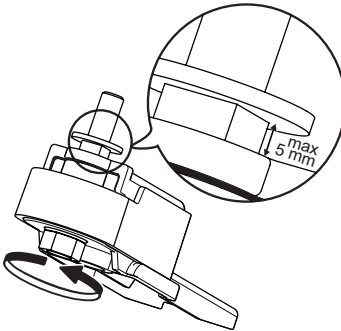


## 1.3 ضبط الأبواب (إن أمكن)

لضبط استواء الأبواب باستخدام المفصلة السفلية القابلة للضبط (اختيار الموديلات)

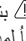
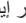
إذا كان باب الثلاجة منخفضاً عن مستوى باب الفريزر، فارفع مستوى باب الثلاجة من خلال إدارة برغي الضبط عكس اتجاه حركة عقارب الساعة باستخدام المفتاح M10.

إذا كان باب الفريزر منخفضاً عن مستوى باب الثلاجة، فارفع مستوى باب الفريزر من خلال إدارة برغي الضبط عكس اتجاه حركة عقارب الساعة باستخدام المفتاح M10.



## 2. الوظائف

### 2.1. وضع التشغيل/وضع الاستعداد

2.4. إنذار فتح الباب  
تضيء أيقونة الإنذار  بشكل ماضٍ ويصدر إنذار صوتي. يتم تفعيل إنذار إذا تم ترك الباب مفتوحاً لمدة تزيد على 2 دقائق. لإيقاف إنذار الباب أغلق الباب أو اضغط على زر إيقاف الإنذار  للكتم الإنذار الصوتي.

### 2.5. وظيفة العطلات VACATION

يمكن تنشيط هذه الوظيفة لخفض استهلاك الطاقة التي يستخدمها الجهاز أثناء فترة الغياب.

قبل تنشيط هذه الوظيفة، يجب إزالة جميع الأغذية القابلة للفساد من حجرة الثلاجة، والتأكد أن باب الثلاجة مغلق جيداً، حيث أن الثلاجة سوف تحتفظ بالحرارة المناسبة لمنع تكون روائح كريهة (+12 درجة مئوية).  
لتنشيط / إلغاء التنشيط اضغط على زر وضع العطلات Vacation لمدة 3 ثوانٍ. عند تمكين الوظيفة، سوف يضيء الرمز ذي الصلة، وسوف يتم ضبط حرارة حجرة الثلاجة على نقطة إعداد أعلى (شاشة الحرارة سوف تعرض نقطة إعداد جديدة تبلغ +12 درجة مئوية).  
إن تغيير نقطة إعداد الحرارة سوف يؤدي أوتوماتيكياً إلى إلغاء تنشيط الوظيفة.

انتبه:

- غير متوافقة مع وظيفة التبريد السريع "Fast Cool"  
لضمان الأداء الأمثل، لا يمكن استخدام وظيفتي العطلات "Vacation" والتبريد السريع "Fast Cool" في نفس الوقت. لذا، إذا تم تشغيل وظيفة التبريد السريع "Fast Cool" بالفعل، فيلزم إيقافها لتفعيل وظيفة العطلات "Vacation" (والعكس صحيح).

### 2.6. وظيفة التبريد السريع FAST COOL

نصح باستخدام هذه الوظيفة عند وضع كمية كبيرة من الأغذية في حيز التبريد.  
عند استخدام وظيفة التبريد السريع  Fast Cool من الممكن زيادة قدرة التبريد في حجرة الثلاجة. لزيادة قدرة التبريد لأقصى حد ممكن، برجاء ترك المروحة مشغلة.

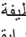
انتبه:

- غير متوافقة مع وظيفة العطلات "Vacation"  
لضمان الأداء الأمثل، لا يمكن استخدام وظيفتي العطلات "Vacation" والتبريد السريع "Fast Cool" في نفس الوقت. لذا، إذا تم تشغيل وظيفة العطلات "Vacation" بالفعل، فيلزم إيقافها لتفعيل وظيفة التبريد السريع "Fast Cool" (والعكس صحيح).

هذه الوظيفة تقوم بتشغيل الثلاجة/ضبطها على وضع الاستعداد. لضبط الجهاز على وضع الاستعداد، اضغط على زر التشغيل/الاستعداد واحتفظ به مضغوطاً لمدة 3 ثوانٍ. عندما يكون الجهاز في وضع الاستعداد، لا تعمل الإضاءة الموجودة داخل حيز التبريد. تذكر أن هذه العملية لا تفصل الجهاز عن مصدر الإمداد بالكهرباء. لتشغيل الجهاز مرة أخرى، اضغط على زر التشغيل/الاستعداد.

### 2.2. العرض الذكي SMART DISPLAY\*

يمكن أن يُستخدم هذا الخيار لتوفير الطاقة. يرجى الالتزام بالتعليمات الواردة في دليل التشغيل السريع لتفعيل/إيقاف فعالية الوظيفة. بعد ثانيتين من تفعيل وظيفة العرض الذكي، تنطفئ وحدة العرض Smart Display. لضبط درجة الحرارة أو استخدام الوظائف الأخرى، يلزم تفعيل وحدة العرض من خلال الضغط على أي زر.  
بعد تفعيل وظيفة العرض الذكي، تنطفئ وحدة العرض، ما عدا مابين وظيفة "Sense Fresh Control" /  "ProFresh". إذا كانت وظيفة العرض الذكي Smart Display نشطة، يلزم تفعيل الشاشة من خلال الضغط على أي زر عند الرغبة في ضبط درجة الحرارة أو استخدام الوظائف الأخرى.

وبعد مرور 15 ثانية تقريبا دون القيام بأي إجراء، تنطفئ وحدة العرض مجدداً ولا يبقى سوى مابين وظيفة "Sense Fresh Control" /  "ProFresh" فعلاً. عند إيقاف فعالية الوظيفة، تعود الشاشة إلى حالتها الاعتيادية. يتم تعطيل الأوتوماتيكي وظيفة العرض الذكي Smart Display عند انقطاع الكهرباء. تذكر أن هذه الوظيفة لا تؤدي إلى فصل الجهاز عن مصدر الكهرباء، بل إنها تقلل فقط من استهلاك الطاقة بالشاشة الخارجية.

**ملاحظة:** يشير استهلاك الطاقة المعين للجهاز إلى التشغيل أثناء تفعيل وظيفة العرض الذكي Smart Display.

### 2.3. وظيفة 6TH SENSE FRESH CONTROL

#### وظيفة PROFRESH

تقوم هذه الوظيفة بتوفير ظروف التخزين المثالية (المتعلقة بدرجة الحرارة والرطوبة) بأسرع ما يكون داخل الجهاز. يجب أيضاً تشغيل المروحة لتعمل هذه الوظيفة بشكل صحيح. يتم تشغيل وظيفة "6th Sense Fresh Control" /  "ProFresh" افتراضياً، ولتفعيل أو إيقاف فعالية هذه الوظيفة - انظر دليل التشغيل السريع المرفق. بعد انقطاع الكهرباء أو الانتقال من وضع الاستعداد إلى وضع التشغيل الاعتيادي، يتم إعادة ضبط وظيفة "6th Sense Fresh Control" /  "ProFresh" على الوضع الافتراضي، أي تصبح فعالة.

\*متوفر في موديلات معينة فقط. يرجى التحقق من دليل التشغيل السريع لمعرفة ما إذا كانت هذه الوظيفة متوفرة في موديل جهازك.

## 2.7. درج درجة الصفر\*

تم تصميم درج درجة الصفر خصيصا للحفاظ على درجة حرارة منخفضة وضمان مستوى مناسب من الرطوبة لبقاء الأطعمة طازجة لمدة أطول (مثل اللحوم، الأسماك، والخضروات الشتوية).

### تفعيل وإيقاف فعالية الدرج



To activate/deactivate the box, press the button as illustrated in the figure.



When the box has been activated, the symbol lights up.

تكون درجة الحرارة داخل الدرج أثناء تفعيله 0°. احرص على مراعاة العوامل التالية ليتسنى عمل درج "درجة الصفر" بشكل سليم:

- يجب أن يكون حيز التبريد مشغلا
- يجب أن تكون درجة حرارة حيز التبريد بين 2°م و 5°م+
- يجب إدخال الدرج لإتاحة التفعيل
- يجب ألا يتم اختيار وظائف خاصة (وضع الاستعداد، وظيفة العطلات – إن أمكن).

إذا تم اختيار أحد هذه الوظائف الخاصة، فيجب إيقاف فعالية درج "درجة الصفر" يدويا، وإخراج أية أطعمة طازجة موجودة بداخله. وإذا لم يتم إيقاف التفعيل يدويا، فسيتوقف تفعيل الدرج أوتوماتيكيا بعد مرور 8 ساعات.

### ملاحظة:

- إذا لم يضىء الرمز أثناء تفعيل الوظيفة، فتأكد من إدخال الدرج بشكل صحيح، إذا استمر العطل، اتصل بأقرب مركز معتمد لخدمة ما بعد البيع
- إذا تم تفعيل الوظيفة والدرج مفتوح، فقد ينطفئ الرمز بلوحة التحكم أوتوماتيكيا. إذا تم إدخال الدرج، سيتم إعادة تفعيل الرمز مرة أخرى
- عدم الانتباه لحالة الوظيفة قد يؤدي إلى سماع قليل من الضجيج: وهذا أمر طبيعي ولا داعي للقلق.
- إذا لم تكن الوظيفة فعالة، تتوقف درجة الحرارة داخل الدرج على درجة الحرارة العامة داخل التلاجة.
- وفي هذه الحالة نوصي باستخدام الدرج لتخزين الفواكه والخضروات غير الحساسة لدرجات الحرارة الباردة (التوتيات، التفاح، المشمش، الجزر، السبانخ، الخس وغيرها).

**هام:** عندما تكون الوظيفة فعالة في ظل تخزين منتجات غذائية تحتوى على نسبة كبيرة من الماء، فمن المحتمل تكون التكثف على الأرفف. في هذه الحالة قم بتعطيل الوظيفة بشكل مؤقت.

## 2.8. المروحة

تحسن وظيفة المروحة توزيع الحرارة داخل المنتج، وتسمح بحفظ أفضل للأغذية المخزنة. يتم تشغيل المروحة افتراضيا. يوصى باستمرار عمل المروحة لتعمل الوظيفة 6th Sense Fresh Control / الوظيفة ProFresh بشكل سليم وعندما تزيد درجة الحرارة المحيطة على 27 °م ± 28 °م أو إذا لاحظت قطرات ماء على الأرفف الزجاجية أو في ظروف الرطوبة القاسية. يرجى ملاحظة أنه عند تشغيل المروحة أنها لن تعمل بصفة دائمة. بل ستعمل وتتوقف المروحة عن العمل وفقا لدرجة الحرارة و/أو مستوى الرطوبة داخل المنتج. ولذا فمن الطبيعي تماما ألا تدور المروحة أحيانا حتى في حالة تشغيلها.

لتفعيل أو إيقاف فعالية هذه الوظيفة - انظر دليل التشغيل السريع المرفق.

**انتبه:** يؤدي إيقاف المروحة إلى إيقاف فعالية وظيفة 6th Sense Fresh Control / وظيفة ProFresh.

### ملاحظة:

**لا تجعل المواد الغذائية تتسبب في إعاقة مدخل الهواء.**

لضمان سلامة الأداء في درجات الحرارة المحيطة المنخفضة (أقل من 18 °م) ولخفض استهلاك الطاقة، أطفئ المروحة.

ولإطفاء المروحة، يرجى اتباع الإجراء الوارد أعلاه.

إذا كان الجهاز يشتمل على مروحة فإنه يمكن تزويده بالفلتر المضاد للبكتريا. اخذها من العلبة الموجودة في درج الخضروات الطازجة وقم بتركيبه في غطاء المروحة.

إجراءات الاستبدال مرفقة داخل علبة الفلتر.

## 2.9. ضبط درجة الحرارة

يتم ضبط الجهاز عادة بإعدادات المصنع للتشغيل بالحرارة الموصى بها البالغة 5 درجة مئوية. يمكن تعديل درجة الحرارة الداخلية بين 8°م و 2°م بالإجراءات التالية:

- اضغط على زر ضبط درجة الحرارة (°م). يمكن تغيير حرارة التخزين بواقع 1- درجة مئوية مع كل ضغط على الزر: تتغير القيمة دوريا بين 8 درجة مئوية و 2 درجة مئوية.

**ملاحظة:** تطابق نقاط الإعداد المعروضة الحرارة المتوسطة في جميع أنحاء التلاجة.

## 2.10. حيز التبريد المقاوم لتكون الثلج NO FROST

تتم إذابة التجمد في حيز التبريد بشكل أوتوماتيكي تماما.

يشير وجود قطرات ماء على الجدار الخلفي داخل حيز التلاجة إلى أن مرحلة إذابة التجمد قيد التشغيل. يتم توجيه الماء المذاب من التجمد أوتوماتيكيا إلى قفحة التصريف وتجميعه في وعاء حيث يتم تبخيره.

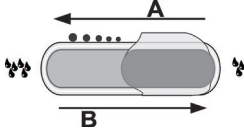
\*متوفر في موديلات معينة فقط. يرجى التحقق من دليل التشغيل السريع لمعرفة ما إذا كانت هذه الوظيفة متوفرة في موديل جهازك.

## 2.11. نظام إضاءة LED\*

يستخدم نظام الإضاءة داخل حيز التبريد لمبات LED، مما يسمح بإضاءة أفضل وكذلك استهلاك منخفض جدا للطاقة. إذا لم يعمل نظام الإضاءة بلمبات LED، فضلا اتصل بخدمة الدعم التقني لاستبدالها.

هام:

بعض مصباح حيز التبريد عندما يتم فتح باب الثلاجة. إذا بقي الباب مفتوحا لمدة 10 دقائق فسوف تنطفئ اللمبة أو توماتيكيا.



## 3. الاستخدام

### 3.1. كفاءة زيادة سعة تخزين الثلاجة

يمكنك زيادة سعة التخزين عن طريق خلع "درج درجة الصفر" في هذه الحالة قم بما يلي:

- قم بإيقاف الدرج
- اسحب الدرج للخارج وكذلك الرف البلاستيكي الأبيض الموجود أسفل الدرج.

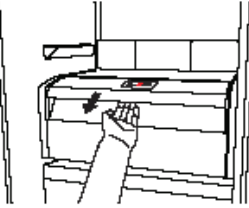
**ملاحظة:** لا يمكن خلع الرف العلوي والدعامة الداخلية. لإعادة تشغيل "درج درجة الصفر"، تأكد من تركيب الرف البلاستيكي الأبيض أسفل الدرج قبل إدخال الدرج وإعادة تفعيل الوظيفة. ولتحسين استهلاك الطاقة، نوصي بإيقاف فعالية "درج درجة الصفر" ثم إخرجه.

### 3.2. ملاحظات

- لا تقم بسد نطاق منفذ الهواء (بالجدار الخلفي داخل الجهاز) بالمواد الغذائية.
- إذا كان الفريزر مزودا بغطاء قلاب، يمكن زيادة مساحة التخزين من خلال إزالة الغطاء القلاب.
- يمكن خلع جميع الأرفف والأغطية القلابة والسلال الجرار.
- درجات الحرارة الداخلية للجهاز قد تتأثر بدرجة الحرارة المحيطة

وعدد مرات فتح الباب وكذلك بموقع الجهاز. ويجب عند ضبط درجة الحرارة وضع هذه العوامل في الحسبان.

- لا تصلح كماليات الجهاز للغسل في غسالة الأطباق ما لم يذكر خلاف ذلك.
- احرص على استخدام وظيفة العرض الذكي بشكل متكرر كلما أمكن.



## 4. نصائح تخزين الطعام

الثلاجة هي المكان المثالي لتخزين الوجبات الجاهزة والأطعمة الطازجة والمحفوظة ومنتجات الألبان والفواكه والخضروات والمشروبات.

### 4.1. التهوية

- التدوير الطبيعي للهواء في حيز التبريد ينتج عنه مناطق ذات درجات حرارة مختلفة. وتكون أكثر المناطق برودة فوق درج الفواكه والخضروات عند الجدار الخلفي. وأقلها برودة في أعلى الحيز الأمامي.
- وتسبب التهوية غير الكافية في زيادة استهلاك الطاقة وانخفاض قدرة التبريد.

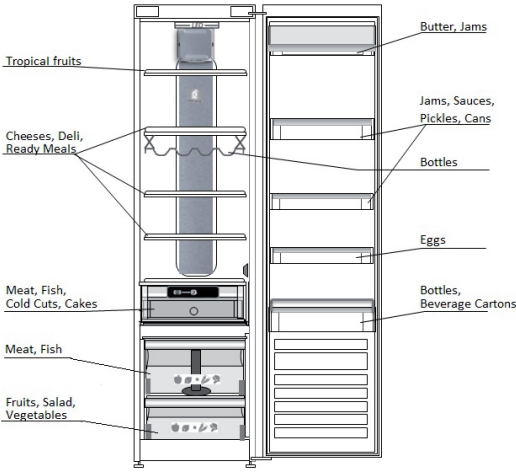
### 4.2. كفاءة تخزين الأطعمة والمشروبات الطازجة

- استخدم أوعية بلاستيكية أو معدنية أو ألومنيوم أو زجاجية قابلة لإعادة التدوير ورقائق البلاستيك لتخزين الأطعمة.
- استخدم دائما الأوعية المغلقة للسوائل والأطعمة التي تنبعث منها رائحة أو التي تفقد بانتقال الرائحة أو النكهة إليها أو قم بتغطيتها.
- يجب دائما فصل الأطعمة التي يصدر عنها كمية كبيرة من غاز الإيثيلين والأطعمة التي تتأثر بهذا الغاز، مثل الفاكهة والخضراوات والسلطة أو لفها حتى لا يقل العمر التخزيني لها، على سبيل المثال، لا تقم بتخزين الطماطم مع فاكهة الكيوي أو الكرنب.
- لا تقم بتخزين الطعام بحيث يكون قريبا من بعضه البعض للسماح بتدوير كمية كافية من الهواء.
- لتجنب سقوط الزجاجات، يمكنك استخدام حامل الزجاجات (متوفر في موديلات معينة).
- إذا كانت لديك كمية صغيرة من الطعام تود تخزينها في الثلاجة، فنحن ننصحك باستخدام الأرفف الموجودة فوق درج الخضروات والفاكهة، لأن هذا هو أبرد مكان.

\*متوفر في موديلات معينة فقط. يرجى التحقق من دليل التشغيل السريع لمعرفة ما إذا كانت هذه الوظيفة متوفرة في موديل جهازك.



### مثال على ترتيب الأطعمة



### 4.3. مكان تخزين الأطعمة والمشروبات الطازجة

- على أرفف التلاجة: الوجبات الجاهزة، فواكه المناطق الحارة، الجبن، الأطعمة الحساسة.
- في المناطق الأكثر برودة - درج درجة الصفر\* (الموجود أعلى حيز المبرد\*): اللحوم، الأسماك، شرائح اللحم البارد، الفطائر.
- في درج الخضروات والفاكهة: الفواكه، السلاطة، الخضروات.
- في الباب: الزبدة، المربي، الصوص، المخللات، العلب، الزجاجات، كراتين المشروبات، البيض.

### 5. الأصوات الوظيفية

- فحص ما إذا كانت الأجزاء الداخلية موضوعة بشكل صحيح.
- التأكد أن الزجاجات والأوعية غير متلامسة مع بعضها البعض.

الأصوات التي تصدر من أجهزتك أصوات طبيعية، نظراً لأنها تشتمل على عدد من المراوح والمحركات التي تعمل وتتوقف بصورة أوتوماتيكية لتنظيم الأداء.

يمكن تقليل بعض الأصوات الوظيفية من خلال

- ضبط استواء الجهاز وتثبيته على سطح مستوي.
- فصل وتجنب حدوث أي تلامس بين الجهاز وأي أثاث منزلي.

بعض الأصوات الوظيفية التي يمكن أن تسمعها:

وصوت «بررررر» عندما يتم تشغيل الكمبريسور.



صوت قرقرة عندما يدخل سائل التبريد في الأنابيب.



صوت تشويش عند تشغيل الجهاز للمرة الأولى أو بعد فترة توقف طويلة.



أما صوت النقر فيأتي من الترموستات التي تضبط عدد مرات تشغيل الكمبريسور.



صوت طقطقة عند بدء عمل الكمبريسور أو عند سقوط قطع الثلج الجاهزة في درج الثلج أو صوت نقر عن تشغيل وإيقاف الكمبريسور.



صوت أزيز عندما يبدأ صمام الماء أو المروحة في العمل.



\*متوفر في موديلات معينة فقط. يرجى التحقق من دليل التشغيل السريع لمعرفة ما إذا كانت هذه الوظيفة متوفرة في موديل جهازك.

## 6. توصيات في حالة عدم استخدام الجهاز

### 6.1 الغياب / العطلات

في حالة الغياب لقضاء أجازة ينصح باستهلاك الطعام وفصل الجهاز لتوفير الطاقة.

### 6.2 تغيير السكن

1. أخرج كل الأجزاء الداخلية.

تجنب إعاقة ريش المروحة الخلفية.

2. قم بلفها جيداً وثبّيتها معا باستخدام شريط لاصق حتى لا ترتطم معا أو تفقد.

3. اربط الأرجل القابلة للضبط بحيث لا تلامس سطح التدعيم.

4. أغلق الباب وقم بثنّيته باستخدام شريط لاصق، واستخدم الشريط اللاصق مرة أخرى لثنّيت كابل الكهرباء بالجهاز.

### 6.3 انقطاع التيار الكهربائي

في حالة انقطاع التيار الكهربائي اتصل بمكتب مرفق الكهرباء المحلي واستعلم عن المدة التي سيستمر فيها انقطاع التيار.

**ملاحظة:** تذكر أن الجهاز الممتلئ بالطعام يظل بارداً لمدة أطول من الجهاز المملوء جزئياً.

إذا كانت حالة الطعام سيئة فيفضل التخلص منه.

بالنسبة لحالات انقطاع التيار الكهربائي التي تستمر حتى 24 ساعة.

1. حافظ على باب الجهاز مغلقاً. فإن ذلك يساعد في أن يبقى الطعام المخزن بارداً لأطول مدة ممكنة.

بالنسبة لحالات انقطاع التيار الكهربائي التي تستمر لأكثر من 24 ساعة.

1. حاول استهلاك الأطعمة الأكثر عرضة للتلف.

## 7. الصيانة والتنظيف

قبل القيام بأي عملية تنظيف أو صيانة، افصل الجهاز عن الشبكة الكهربائية أو افصل مصدر الإمداد بالتيار الكهربائي.

قم على فترات منتظمة بتنظيف الجهاز باستخدام قطعة قماش ومحلول من الماء الفاتر ومنظف متعادل مخصص للتلاجة من الداخل. لا تستخدم أية مواد خادشة. لا تستخدم في تنظيف أجزاء التلاجة أية سوائل قابلة للاشتعال. فقد تتسبب الأبخرة في التعرض لخطر الحريق أو الانفجار. قم بتنظيف الجهاز من الخارج ووسيلة إحكام الباب باستخدام قطعة قماش مبللة ثم جففه بقطعة ناعمة.

لا تستخدم أبداً أجهزة تنظيف البخار.

يجب تنظيف المكثف الموجود بظهر الجهاز بصفة منتظمة باستخدام مكثفة كهربائية.

يجب تنظيف المكثف الموجود بظهر الجهاز بصفة منتظمة باستخدام مكثفة كهربائية.

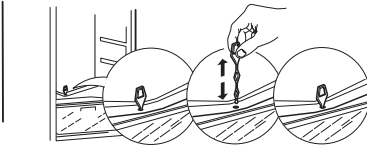
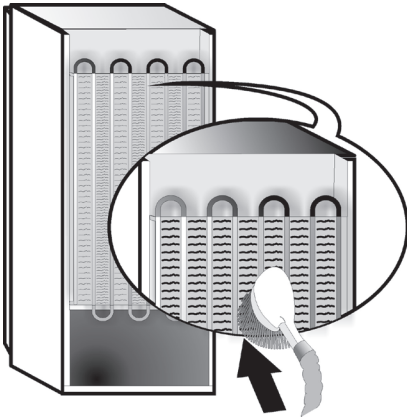
**هام:**

- لا يسمح بتنظيف الأزرار ولوحة التحكم باستخدام الكحول أو المواد المشنقة من الكحول، ولكن باستخدام قطعة قماش جافة.
- توجد أنابيب دورة التبريد بجانب وعاء إذابة التجمد ويمكن أن تسخن. قم بتنظيفها باستخدام مكثفة كهربائية.

لضمان التدفق الصحيح والمستمر لماء إذابة التجمد، براعي تنظيف فتحة التصريف بظهر التلاجة بالقرب من درج الفاكهة والخضراوات من الداخل بصفة دورية، باستخدام الأداة الموردة.

**احرص قبل تنظيف "درج درجة الصفر" (ومن الخارج أيضاً) على خلع الدرج بحيث يكون الدرج مفصلاً عن مصدر الكهرباء.**

قم بتنظيف الدرج وجميع أجزائه على فترات منتظمة باستخدام قطعة قماش ومحلول من الماء الفاتر ومنظف متعادل مخصص للتلاجة من الداخل (احرص على عدم غمر الرف البلاستيكي الأبيض الموجود أسفل الدرج في الماء). لا تستخدم المنظفات الكاشطة أبداً.




## 8. دليل التغلب على الأعطال

### 8.1. قبل الاتصال بخدمة ما بعد البيع...

تنتج مشكلات الأداء عادة من أشياء بسيطة يمكنك اكتشافها وحلها بنفسك دون استخدام أدوات.

المشكلة	الحل
الجهاز لا يعمل:	<ul style="list-style-type: none"> <li>هل كابل الكهرباء متصل بمقيس كهرباء بقيمة الجهد الصحيحة؟</li> <li>هل تأكدت من وجود أجهزة حماية ومصاهر للنظام الكهربائي الموجود في منزلك؟</li> </ul>
إذا كان هناك ماء في وعاء إذابة التجمد:	<ul style="list-style-type: none"> <li>هذا أمر طبيعي في الطقس الساخن والرطب. ويمكن أن يمتلئ الوعاء حتى المنتصف. تأكد أن الجهاز مستوى بحيث لا يفيض الماء خارج الوعاء.</li> </ul>
إذا كانت حواف علبة الجهاز الملامسة لوسيلة إحكام الباب ساخنة للغاية:	<ul style="list-style-type: none"> <li>هذا أمر طبيعي في الطقس الحار وأثناء عمل الكمبريسور.</li> </ul>
إذا كانت اللمبة لا تعمل:	<ul style="list-style-type: none"> <li>هل تأكدت من وجود أجهزة حماية ومصاهر للنظام الكهربائي الموجود في منزلك؟</li> <li>هل كابل الكهرباء متصل بمقيس كهرباء بقيمة الجهد الصحيحة؟</li> <li>في حالة انكسار لمبات DEL يجب أن يتصل المستخدم بخدمة ما بعد البيع لاستبدالها بلمبات من نفس النوع والمتاحة فقط لدى مراكز خدمة ما بعد البيع أو الموزعين المعتمدين.</li> </ul>
إذا بدا أن الموتور يدور أكثر من اللازم:	<ul style="list-style-type: none"> <li>يتوقف عدد مرات تشغيل الموتور على عدة أشياء مختلفة: عدد مرات فتح الباب وكمية الطعام المخزنة ودرجة حرارة الغرفة وضبط مفاتيح درجة الحرارة.</li> <li>هل المكثف (بظهر الجهاز) خالي من الغبار أو الوير؟</li> <li>هل الباب مغلق بشكل صحيح؟</li> <li>هل مواع تسرب الباب مركبة بشكل صحيح؟</li> <li>في الأيام الحارة أو إذا كانت الغرفة ساخنة من الطبيعي أن يعمل الموتور لفترة أطول. إذا تم ترك باب الجهاز مفتوحاً لفترة أو إذا تم تخزين كميات كبيرة من الطعام، فإن الموتور يعمل لفترة أطول لتبريد الجهاز من الداخل.</li> </ul>
إذا كانت درجة حرارة الجهاز مرتفعة للغاية:	<ul style="list-style-type: none"> <li>هل عناصر التحكم في الجهاز مضبوطة بشكل صحيح؟</li> <li>هل تم وضع كمية كبيرة من الأطعمة داخل الجهاز؟</li> <li>تأكد من عدم فتح الباب لمرات عديدة.</li> <li>تأكد أن الباب مغلق بشكل صحيح.</li> </ul>
إذا كانت الأبواب لا تفتح أو تنغلق بشكل صحيح:	<ul style="list-style-type: none"> <li>تأكد أن عبوات الطعام لا تعوق الباب.</li> <li>تأكد أن الأجزاء الداخلية أو تجهيزة إعداد مكعبات الثلج الأوتوماتيكية ليست في غير موضعها.</li> <li>تأكد أن وسائل إحكام الباب ليست متسخة أو لزجة.</li> <li>تأكد من استواء الجهاز.</li> </ul>

### 8.2. الأعطال

في حالة وجود إنذارات تشغيلية، تُعرض أيضاً على لمبات DEL الرقمية، (مثل، العطل 1 والعطل 2 والعطل 3، إلخ...) فاتصل بخدمة ما بعد البيع مبيناً كود الإنذار. ينطلق الإنذار الصوتي، وتضيء أيقونة الإنذار  ويومض الحرف F بوحدة العرض الرقمية تبعاً لكود العطل المبين فيما يلي:

كود العطل	العرض
الخطأ 2	يومض الحرف F بمعدل 5.0 ثانية. يومض مرتين ثم يظل مطفاً لمدة 5 ثوان. ثم يتكرر الأمر.
الخطأ 3	يومض الحرف F بمعدل 5.0 ثانية. يومض 3 مرات ثم يظل مطفاً لمدة 5 ثوان. ثم يتكرر الأمر.
الخطأ 6	يومض الحرف F بمعدل 5.0 ثانية. يومض 6 مرات ثم يظل مطفاً لمدة 5 ثوان. ثم يتكرر الأمر.

\*متوفر في موديلات معينة فقط. يرجى التحقق من دليل التشغيل السريع لمعرفة ما إذا كانت هذه الوظيفة متوفرة في موديل جهازك.

## 9. خدمة ما بعد البيع

**SERVICE** 0000 000 00000



- رقم الخدمة (الرقم الوارد بعد كلمة Service على لوحة الصنع الموجودة بداخل الجهاز)،
- عنوانك بالكامل،
- رقم الهاتف وكود المنطقة.

### ملاحظة:

يمكن تغيير اتجاه فتح الباب. إذا تم تنفيذ هذا الإجراء عن طريق خدمة ما بعد البيع فإن الضمان لا يغطي ذلك.

### قبل الاتصال بخدمة ما بعد البيع:

قم بتشغيل الجهاز مرة أخرى لترى ما إذا كان قد تم حل المشكلة. فإذا استمرت المشكلة، افصل الجهاز عن التيار الكهربائي وانتظر لمدة ساعة تقريبا قبل تشغيله مرة أخرى. إذا لم يعمل الجهاز بشكل صحيح بعد إجراء الفحوصات الواردة في دليل تحري الأعطال وتشغيل الجهاز مرة أخرى، فاتصل بخدمة ما بعد البيع واطرح المشكلة.

### قم بتحديد ما يلي:

- موديل الجهاز والرقم المسلسل (المبين على لوحة الصنع)،
- طبيعة المشكلة،

# INDHOLDSFORTEGNELSE

Kapitel 1: <b>INSTALLATION</b> .....	22
1.1. OPSTILLING AF ENKELT APPARAT .....	22
1.2. OPSTILLING AF TO APPARATER .....	22
1.3. JUSTER DØRE (HVIS TILGÆNGELIG).....	22
Kapitel 2: <b>FUNKTIONER</b> .....	23
2.1. ON/STANDBY .....	23
2.2. SMART DISPLAY*.....	23
2.3. 6TH SENSE FRESH CONTROL / PROFRESH.....	23
2.4. ALARMEN ÅBEN LÅGE .....	23
2.5. FUNKTIONEN FERIE .....	23
2.6. LYNAFKØLING .....	23
2.7. NUL GRADER-SKUFFE* .....	24
2.8. BLÆSER .....	24
2.9. TEMPERATURINDSTILLING.....	24
2.10. NO-FROST KØLEAFDELING.....	24
2.11. LYSDIODE-BELYSNINGSSYSTEM* .....	25
2.12.FUGTIGHEDSKONTROLLERET FRUGT- OG GRØNSAGSSKUFFE*.....	25
Kapitel 3: <b>BRUG</b> .....	25
3.1. SÅDAN KAN KØLEAFDELINGENS KAPACITET UDVIDES.....	25
3.2. BEMÆRK:.....	25
Kapitel 4: <b>OPBEVARINGSTIPS</b> .....	25
4.1. LUFTVENTILATION.....	25
4.2. OPBEVARING AF FRISKE FØDEVARER OG DRIKKEVARER.....	25
4.3. OPBEVARINGSTED FOR FRISKE FØDEVARER OG DRIKKEVARER .....	26
Kapitel 5: <b>FUNKTIONELLE LYDE</b> .....	26
Kapitel 6: <b>ANBEFALING HVIS APPARATET IKKE BRUGES</b> .....	27
6.1. VED LÆNGEREVARENDE FRAVÆR/FERIE .....	27
6.2. FLYTNING .....	27
6.3. STRØMSVIGT .....	27
Kapitel 7: <b>RENGØRING OG VEDLIGEHOLDELSE</b> .....	27
Kapitel 8: <b>FEJLFINDINGSOVERSIGT</b> .....	28
8.1. FØR SERVICEAFDELINGEN KONTAKTES.....	28
8.2. FEJL.....	28
Kapitel 9: <b>SERVICEAFDELING</b> .....	29
Andet:	
ÆNDRING AF DØRENS ÅBNINGSRETNING (VERSION_1).....	75
ÆNDRING AF DØRENS ÅBNINGSRETNING (VERSION_2).....	77

## BEMÆRK:

Brugsanvisningen gælder for flere modeller, så der kan være forskelle. Sektioner, der kun gælder for bestemte apparater, er angivet med en stjerne (\*).

Du kan finde funktioner, der gælder specielt for din allerede købte model, i OVERSIGTSVEJLEDNINGEN.

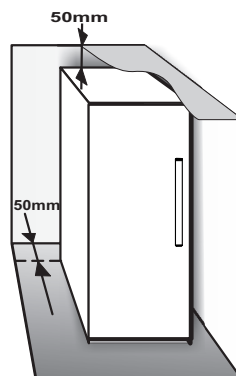
# 1. INSTALLATION

## 1.1. OPSTILLING AF ENKELT APPARAT

For at sikre tilstrækkelig ventilation skal der efterlades mellemrum på begge sider og oven over apparatet.

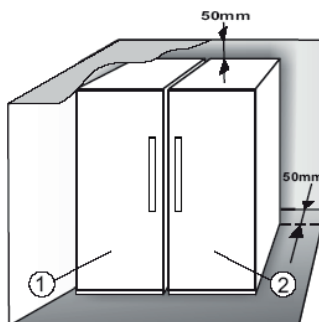
Der skal være en afstand på mindst 50 cm mellem apparatets bagside og væggen.

En reduktion af denne afstand vil øge produktets energiforbrug.

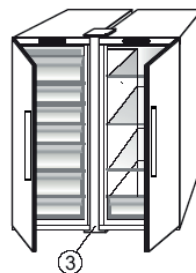


## 1.2. OPSTILLING AF TO APPARATER

Hvis fryseren ① og køleskabet ② opstilles sammen, skal fryseren placeres til venstre og køleskabet til højre (som vist på tegningen). På venstre side af køleskabet findes en særlig anordning til at undgå kondensproblemer mellem apparaterne.



Vi anbefaler, at opstille to apparater sammen ved hjælp af et opstillingssæt ③ (som vist på tegningen). Det kan købes fra serviceafdelingen.

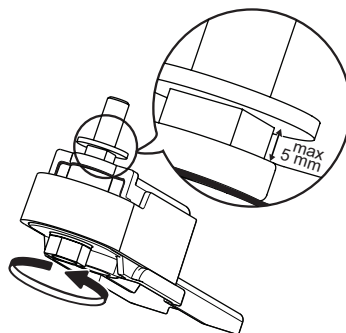


## 1.3. JUSTER DØRE (HVIS TILGÆNGELIG)

Justering af dørene ved brug af det justerbare hængsel forinden (visse modeller)



Hvis køleskabets dør er lavere end fryseafdelingens dør, hæves køleskabets dør ved at dreje justeringsskruen mod uret ved brug af en M10-nøgle.

Hvis fryseafdelingens dør er lavere end køleskabets dør, hæves fryseafdelingens dør ved at dreje justeringsskruen mod uret ved brug af en M10-nøgle.



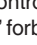
## 2. FUNKTIONER

### 2.1. ON/STANDBY

Funktionen On/standby igangsætter driften af køleskabet. For at sætte apparatet i standby skal knappen On/Standby  holdes trykket i 3 sekunder. Når apparatet er i standby, fungerer den indvendige belysning i køleafdelingen ikke. Husk, at denne funktion ikke afbryder forbindelsen til strømforsyningen. For at tænde for apparatet igen skal der ganske enkelt trykkes på knappen  On/standby.

### 2.2. SMART DISPLAY\*

Denne valgfri funktion kan bruges til at spare energi. Følg anvisningerne i oversigtsvejledningen for at aktivere/deaktivere funktionen. To sekunder efter aktivering af Smart Display slukker displayet. For at justere temperaturen eller bruge andre funktioner skal displayet aktiveres ved at trykke på en knap. To sekunder efter aktivering af Smart Display slukker displayet, med undtagelse af "6<sup>th</sup> Sense Fresh Control" /  "ProFresh" kontrollampe. For at justere temperaturen eller bruge andre funktioner skal displayet aktiveres ved at trykke på en knap.

Efter ca. 15 sekunder uden handlinger slukker displayet igen, men kontrollampen for "6<sup>th</sup> Sense Fresh Control" /  "ProFresh" forbliver synlig. Når funktionen er inaktiveret, vises det normale display igen. Smart Display deaktiveres automatisk efter strømafbrydelse. Husk, at denne funktion ikke afbryder forbindelsen til strømforsyningen, men kun reducerer det eksterne displays strømforbrug.



**Bemærk:** Det viste strømforbrug refererer til drift med Smart Display-funktionen aktiveret.

### 2.3. 6<sup>th</sup> SENSE FRESH CONTROL / PROFRESH

Denne funktion giver mulighed for, at der hurtigt kan opnås optimale opbevaringsforhold (i form af temperatur og fugtighed) i apparatet. For at opnå korrekt funktion skal ventilatoren også være aktiveret. Funktionen "6<sup>th</sup> Sense Fresh Control" / "ProFresh" er som standard aktiveret. Følg anvisningerne i oversigtsvejledningen for at aktivere/deaktivere funktionen.

I tilfælde af strømafbrydelse eller skift fra standby til normal funktion nulstilles statussen for "6<sup>th</sup> Sense Fresh Control" / "ProFresh" til standard dvs. aktiv.

### 2.4. ALARMEN ÅBEN LÅGE

Alarmikonet  tænder og blinker, og lydsignalet aktiveres. Alarmen går i gang, når døren står åben i mere end 2 minutter. Luk døren for at inaktivere lydsignalet, eller tryk én gang på knappen Stop Alarm  for at afbryde lydsignalet.

### 2.5. FUNKTIONEN FERIE

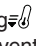
Denne funktion kan aktiveres for at reducere apparatets energiforbrug i en længere periode. Før funktionen aktiveres, skal letfordærvelige varer fjernes fra køleafdelingen, og lågen holdes lukket, så skabet opretholder en tilstrækkelig temperatur til at forhindre dannelsen af dårlig lugt (+12° C). Funktionen aktiveres/deaktiveres ved at trykke på knappen til Ferie i 3 sekunder. Når funktionen er aktiveret, lyser det tilhørende symbol, og temperaturen i køleskabet vil blive sat til en højere indstilling (temperaturdisplayet viser den nye temperatur på +12° C). Ændring af temperaturindstillingen deaktiverer automatisk funktionen.

#### Bemærk:

- **Kan ikke anvendes sammen med funktionen "Lynafkøling"**
- For at garantere optimal ydelse kan funktionerne "Ferie" og "Lynafkøling" ikke være aktive sammen på samme tid. Hvis funktionen "Lynafkøling" allerede er aktiveret, skal den derfor deaktiveres, før funktionen "Ferie" kan aktiveres (og vice versa).

### 2.6. LYNAFKØLING

**Det anbefales at bruge denne funktion, når der anbringes en meget stor mængde madvarer i køleafdelingen.**

Funktionen Lynafkøling  anvendes til at øge kølingen i køleafdelingen. Hold ventilatoren tændt for at maksimere kølingen.

#### Bemærk:

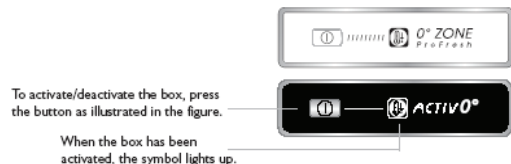
- **Kan ikke anvendes sammen med funktionen "Ferie"**
- For at garantere optimal ydelse kan funktionerne "Ferie" og "Lynafkøling" ikke være aktive sammen på samme tid. Hvis funktionen "Ferie" allerede er aktiveret, skal den derfor deaktiveres, før funktionen "Lynafkøling" kan aktiveres (og vice versa).

\*Findes kun på udvalgte modeller. Se i oversigtsvejledningen, om denne funktion er findes på din model.

## 2.7. NUL GRADER-SKUFFE\*

Nul grader-skuffen er specifikt beregnet til at opretholde en lav temperatur og den rette fugtighed til længere tids opbevaring af friske madvarer (for eksempel kød, fisk, frugt og vintergrøntsager).

### Aktivering og deaktivering af skuffen



Temperaturen i skuffen er ca. 0°, når den er aktiveret. For at skuffen skal kunne fungere korrekt er det nødvendigt:

- At køleafdelingen er tændt.
- At temperaturen i køleafdelingen ligger på mellem +2°C og +5°C
- At skuffen er sat i, så afsnittet kan aktiveres.
- At der ikke er valgt nogen specialfunktioner (Standby, Ferie – afhængigt af model).

Hvis en af disse specialfunktioner er valgt, skal "Nul grader"-skuffen deaktiveres manuelt, og eventuelle friske madvarer skal tages ud. Hvis der ikke foretages manuel deaktivering, deaktiveres skuffen automatisk efter ca. 8 timer.

### Bemærk:

- Hvis symbolet ikke tænder ved aktivering af afdelingen, skal det kontrolleres, om skuffen er isat korrekt. Hvis problemet stadig er til stede, kontaktes det autoriserede servicecenter.
- Hvis funktionen er aktiv, og skuffen er åben, kan det ske, at symbolet på kontrolpanelet deaktiveres automatisk. Når skuffen sættes på plads, aktiveres symbolet igen.
- Uafhængigt af afdelingens driftstilstand kan der eventuelt høres en let støj; det er helt normalt.
- Når skuffen ikke er i drift, afhænger dens indvendige temperatur af køleafdelingens generelle temperatur. I så fald anbefales det at anvende den til at opbevare frugt og grøntsager, der ikke er følsomme over for kulde (blandede bær, æbler, abrikoser, gulerødder, spinat, salat osv.).

**VIGTIGT:** Hvis funktionen er aktiveret, og der findes madvarer med et højt vandindhold, kan der dannes kondens på hyldeerne. I så fald skal funktionen deaktiveres midlertidigt.

## 2.8. BLÆSER

Ventilatoren forbedrer temperaturfordelingen i apparatet, hvilket giver en bedre opbevaring af madvarerne. Ventilatoren er som standard tændt. Det anbefales, at ventilatoren er tændt, så funktionen 6th Sense/ ProFresh kan fungere korrekt, samt når rumtemperaturen er over 27 ÷ 28 °C, hvis der er vanddråber på glashyldeerne, eller når det er meget fugtigt. Bemærk, at ventilatoren ikke kører konstant, når der er tændt for den. Ventilatoren aktiveres/deaktiveres afhængigt af temperatur- og/eller fugtighedsniveauet i apparatet. Det er derfor helt normalt, at ventilatoren ikke kører, selvom der er tændt for den. Følg anvisningerne i oversigtsvejledningen for at aktivere/deaktivere denne funktion.

**Bemærk:** Hvis ventilatoren slukkes, deaktiveres funktionen 6th Sense Fresh Control/ProFresh.

### Bemærk:

#### **Blokér ikke indsugningsområdet med madvarer.**

Sluk for ventilatoren for at sikre korrekt ydelse ved lavere rumtemperatur (under 18° C) og minimere energiforbruget.

Følg ovenstående fremgangsmåde for at slukke for ventilatoren.

Hvis apparatet har en ventilator, kan den forsynes med det **antibakterielle filter**.

Tag det ud af æsken i grøntsagsskuffen, og sæt det ind i ventilatordækslet.

Udsiftningsvejledningen leveres sammen med filteret.

## 2.9. TEMPERATURINDSTILLING

Apparatet er sædvanligvis fabriksindstillet på den anbefalede temperatur på 5°C. Den interne temperatur kan reguleres på mellem 8° C og 2° C, på følgende måde:

- Tryk på knappen til indstilling af temperatur (° C). Opbevaringstemperaturen ændres med -1° C ved hvert tryk på knappen: Værdien ændres trinvist mellem 8° C og 2° C, hver gang der trykkes på knappen.

**Bemærk:** De viste temperaturindstillinger svarer til den gennemsnitlige temperatur i hele køleskabet.

## 2.10. NO-FROST KØLEAFDELING

Afrimningen af køleafdelingen er fuldautomatisk. Dannelse af vanddråber på køleafdelingens bagvæg betyder, at den automatiske afrimning er i gang. Afrimningsvandet ledes automatisk via en afløbskanal ud i en beholder, hvor det fordampes.

\*Findes kun på udvalgte modeller. Se i oversigtsvejledningen, om denne funktion er findes på din model.



## 2.11. LYSDIODE-BELYSNINGSSYSTEM\*

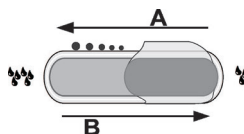
Lyssystemet i køleafdelingen bruger LED-lys, der giver en bedre belysning, og som har et meget lavt forbrug af energi. Hvis lysdiode-belysningssystemet ikke fungerer, skal det udskiftes af serviceafdelingen.

### Vigtigt:

Køleafdelingens lys tænder, når lågen åbnes. Hvis døren holdes åben i mere end 10 minutter, slukkes lyset automatisk.

## 2.12. FUGTIGHEDSKONTROLLERET FRUGT- OG GRØNSAGSSKUFFE\*

Salatskuffen i køleskabet er blevet specifikt udviklet med det formål at holde frugt og grøntsager friske og sprøde. Åbn fugtighedskontrollen (position B), hvis du vil opbevare fødevarer i mindre fugtige omgivelser, eller luk den (position A) for at opbevare fødevarer i mere fugtige omgivelser, som fx grøntsager.



## 3. BRUG

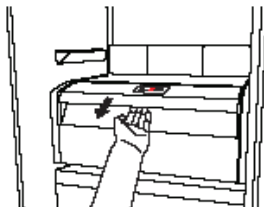
### 3.1. SÅDAN KAN KØLEAFDELINGENS KAPACITET UDVIDES

Du kan øge opbevaringskapaciteten ved at fjerne "NUL GRADER-SKUFFEN"\*

Dette gøres på følgende måde:

- Sluk for skuffen
- Træk skuffen og den hvide plasthylde under afsnittet ud.

**Bemærk:** Det er ikke muligt at fjerne den øverste hylde og sideskinne. Når "Nul grader-skuffen" genaktiveres, skal den hvide plasthylde under skuffen anbringes, før selve skuffen sættes ind, og funktionen genaktiveres. For at mindske energiforbruget anbefales det at deaktivere "Nul grader-skuffen" og tage den ud.



### 3.2. BEMÆRK:

- Undlad at blokere åbningen til luftudledning (på bagvæggen inde i produktet) med fødevarer.
- Hvis fryseafdelingen er forsynet med en klap, kan opbevaringsområdet gøres større ved at fjerne den.
- Alle hylder, klapper og kurve kan tages ud.
- Apparatets indvendige temperatur afhænger af rumtemperaturen, apparatets placering, og hvor tit lågen åbnes. Disse faktorer skal tages i betragtning ved indstillingen af temperaturen.
- Tilbehørsdelene kan ikke vaskes i opvaskemaskine, medmindre andet er angivet.
- Brug funktionen Smart Display så tit som muligt.

## 4. OPBEVARINGSTIPS

Køleskabet er ideelt til opbevaring af færdigretter, friske og konserverede fødevarer, mejeriprodukter, frugt, grøntsager og drikkevarer.

### 4.1. LUFTVENTILATION

- Den naturlige luftcirkulation i køleskabet resulterer i zoner med forskellige temperaturer. Det er koldest lige over frugt- og grøntsagsskuffen og ved bagvæggen. Det er varmest øverst foran i køleskabet.
- Utilstrækkelig ventilation resulterer i en stigning i energiforbruget og en reduktion af køleeffekten.

### 4.2. OPBEVARING AF FRISKE FØDEVARER OG DRIKKEVARER

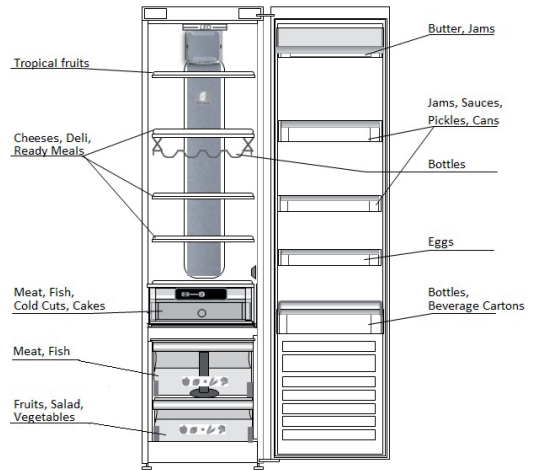
- Brug genanvendelige plast-, metal-, aluminiums- og glasbeholdere og film til at pakke fødevarer ind.
- Brug altid lukkede beholdere til væsker og til fødevarer, der kan afgive eller være behæftet med stærk lugt eller smag eller dæk dem til.
- Fødevarer, som afgiver store mængder ætylet gas, eller dem som er følsomme overfor dette, så som frugt, grøntsager og salat, bør altid opbevares separat eller indpakket, så deres opbevaring ikke forkortes; for eksempel, bør tomater ikke opbevares sammen med kiwifrugter eller kål.
- Placér ikke fødevarer for tæt på hinanden for at sikre en tilstrækkelig luftcirkulation.
- Brug flaskeholderen (tilgængelig på udvalgte modeller) for ikke at vælte flasker.
- Hvis der kun skal gemmes en lille mængde mad i køleskabet, anbefaler vi at bruge hylderne over frugt- og grøntsagsskuffen, da dette er det kølteste område i køleafdelingen.

\*Findes kun på udvalgte modeller. Se i oversigtsvejledningen, om denne funktion er findes på din model.

#### 4.3. OPBEVARINGSTED FOR FRISKE FØDEVARER OG DRIKKEVARER

- På køleskabets hylder: færdigretter, tropiske frugter, oste, deli.
- I det koldeste område - Nul grader-skuffe\* (lige over afkølingsrummet): kød, fisk, pålæg, kager.
- I frugt-/grøntsagsskuffen: frugt, salat, grøntsager.
- I døren: smør, marmelade, saucer, pickles, dåser, flasker, drikkekartoner, æg.

#### EKSEMPEL PÅ OPTIMAL FYLDNING



### 5. FUNKTIONELLE LYDE

Det er normalt, at der høres forskellige lyde fra dine apparater, da de har en række ventilatorer og motorer til at regulere funktioner, der automatisk tændes og slukkes.

- Kontrollere, at de interne dele er placeret korrekt.
- Sørg for, at flasker og beholdere ikke berører hinanden.

Nogle af de funktionelle lyde kan reduceres ved at

- Sætte apparatet i vater og opstille det på en jævn overflade.
- Undgå kontakt mellem apparatet og andre køkkenelementer.

Nogle af de funktionelle lyde der kan høres:

En hvislende lyd, når apparatet tændes første gang eller efter en lang pause.



En gurglende lyd, når kølevæsken kommer ind i rørene.



BRRR lyden kommer fra kompressoren.



En summende lyd, når vandventilen eller ventilatoren går i gang.



En knagende lyd, når kompressoren starter, eller når færdig is falder ind i isboksen. Pludselige klik, når kompressoren tænder og slukker.



KLIKKET kommer fra termostaten, der justerer kompressorfunktionens hyppighed.



\*Findes kun på udvalgte modeller. Se i oversigtsvejledningen, om denne funktion er findes på din model.

## 6. ANBEFALING HVIS APPARATET IKKE BRUGES

### 6.1. VED LÆNGEREVARENDE FRAVÆR/FERIE

I tilfælde af længere fravær anbefales det at bruge fødevarer og frakoble apparatet for at spare strøm.

### 6.2. FLYTNING

1. Fjern alle indvendige dele.
2. Pak delene godt ind, og tape dem sammen, så de ikke går løse eller rystes.
3. Justér de justerbare fødder, så de ikke berører støtteunderlaget.
4. Luk, og fastgør lågen med tape, og brug også tape til at fastgøre strømkablet bag på køle-/fryseskabet med.

### 6.3. STRØMSVIGT

Ved strømsvigt kontaktes det lokale elværk for at høre, hvor længe man regner med, at strømsvigtet vil vare.

**Bemærk:** Husk, at et fyldt apparat forbliver koldt længere end et halvfyldt.

Hvis madvarerne derimod er i dårlig tilstand, skal de kasseres.

#### Ved strømsvigt, der varer op til 24 timer.

1. Hold apparatets låge lukket. Dette holder madvarerne kolde længst muligt.

#### Ved strømsvigt, der varer mere end 24 timer.

1. Forsøg at anvende de madvarer, der hurtigst vil blive ødelagt.

## 7. RENGØRING OG VEDLIGEHOLDELSE

Før enhver form for vedligeholdelse eller rengøring skal stikket tages ud af stikkontakten eller strømmen afbrydes på hovedafbryderen.

Rengør apparatet regelmæssigt med en svamp fugtet med en opløsning af lunkent vand og neutralt rengøringsmiddel beregnet til køleskabe. Brug aldrig skurremidler. Rengør aldrig køle-/fryseskabsdele med brændbare væsker. Dampene kan starte en brand eller en eksplosion. Rengør apparatets yderside og dørpakningen med en fugtig klud og tør af med en blød klud.

Anvend ikke damprensere.

Rengør kondensatoren på bagsiden af apparatet med støvsugeren eller en børste.

Rengør kondensatoren på bagsiden af apparatet med støvsugeren eller en børste.

#### Vigtigt:

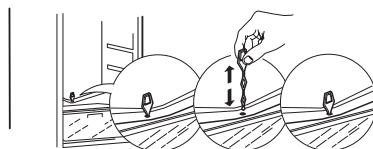
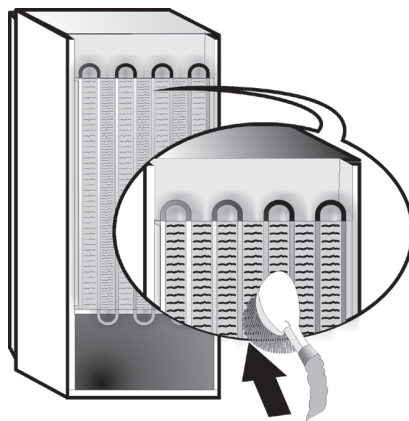
- Betjeningspanelets taster og display må ikke rengøres med produkter, der indeholder alkohol eller afledte produkter, men kun med en tør klud.
- Kølesystemets kølerør er placeret nær afrimningsbakken, og de kan blive varme. Rengør dem regelmæssigt med støvsugeren.

For at sikre konstant og korrekt udløb af afrimningsvandet skal afløbshullet på køleskabets bagvæg ved siden af frugt- og grøntsagsskuffen rengøres regelmæssigt indvendigt med det medfølgende værktøj.

**Før "Nul grader-skuffen" rengøres (også udvendigt) skal den fjernes, så strømtilførslen til den kan afbrydes.**

Rengør skuffen og dens komponenter regelmæssigt med en svamp fugtet med en opløsning af lunkent vand (og sørg for ikke at nedsænke den hvide plastyldte under skuffen i vandet) og neutralt rengøringsmiddel beregnet til køleskabe.

Brug aldrig slibende rengøringsmidler.



\*Findes kun på udvalgte modeller. Se i oversigtsvejledningen, om denne funktion er findes på din model.

## 8. FEJLFINDINGSOVERSIGT




### 8.1. FØR SERVICEAFDELINGEN KONTAKTES...

Ydelsesproblemer skyldes ofte små ting, som du selv kan finde og rette uden værktøjer af nogen art.

PROBLEM	LØSNING
<b>Apparatet fungerer ikke:</b>	<ul style="list-style-type: none"> <li>• Er netledningen sat i en stikkontakt med korrekt spænding?</li> <li>• Er der gået en sikring?</li> </ul>
<b>Der er vand i afrimningsbakken:</b>	<ul style="list-style-type: none"> <li>• Dette er normalt i varmt, fugtigt vejr. Bakken kan være halvt fyldt. Sørg for, at apparatet er i vater, så vandet ikke løber ud.</li> </ul>
<b>Kanterne på køle-/fryseskabets kabinet, der kommer i kontakt med dørpakningen, er varme ved berøring:</b>	<ul style="list-style-type: none"> <li>• Dette er normalt i varmt vejr og når kompressoren kører.</li> </ul>
<b>Lyset fungerer ikke:</b>	<ul style="list-style-type: none"> <li>• Er der gået en sikring?</li> <li>• Er netledningen sat i en stikkontakt med korrekt spænding?</li> <li>• Fjern pæren, og udskift den med en af samme type fra vores forhandlere eller serviceafdeling.</li> </ul>
<b>Motoren synes at køre for meget:</b>	<ul style="list-style-type: none"> <li>• Motorens kørselstid afhænger af forskellige ting: antallet af gange lågen åbnes, mængden af opbevarede madvarer, rumtemperaturen samt indstillingen af termostaterne.</li> <li>• Er kondensatoren (på apparatets bagvæg) fri for støv?</li> <li>• Er døren lukket ordentligt?</li> <li>• Er dørpakningerne tætte?</li> <li>• På varme dage, eller hvis lokalet er varmt, kører motoren i længere tid.</li> <li>• Hvis lågen har været åbnet hyppigt, eller hvis der er anbragt store mængder af madvarer, kører motoren i længere tid for at køle det indre af apparatet ned.</li> </ul>
<b>Temperaturen er for høj:</b>	<ul style="list-style-type: none"> <li>• Er betjeningsanordningerne indstillet korrekt?</li> <li>• Er der netop lagt en større mængde madvarer i køle- eller fryseafdelingen?</li> <li>• Kontrollér, at lågen ikke bliver åbnet for tit.</li> <li>• Kontrollér, at lågen lukker ordentligt.</li> </ul>
<b>Døren åbner og lukker ikke korrekt:</b>	<ul style="list-style-type: none"> <li>• Kontrollér, at madvareemballage ikke blokerer døren.</li> <li>• Kontrollér, at skåle, hylder, skuffer og ismaskinen er på plads.</li> <li>• Kontrollér, om dørpakningen er ren og ikke klæber.</li> <li>• Sørg for, at apparatet er i vater.</li> </ul>

### 8.2. FEJL

I tilfælde af driftsalarmer vises de også med kontrollamperne (f.eks. Fejl 1, Fejl 2, osv...). Kontakt serviceafdelingen, og angiv alarmkoden. Lydsignalet høres, alarmikonet  tænder og bogstavet F blinker i henhold til den fejlkode, der beskrives herunder:

Fejlkode	Visning	
Fejl 2	Bogstavet F blinker med 0,5 sek. interval. Blinker ON 2 gange og forbliver derefter slukket i 5 sekunder. Mønsteret gentager sig.	 x2
Fejl 3	Bogstavet F blinker med 0,5 sek. interval. Blinker ON 3 gange og forbliver derefter slukket i 5 sekunder. Mønsteret gentager sig.	 x3
Fejl 6	Bogstavet F blinker med 0,5 sek. interval. Blinker ON 6 gange og forbliver derefter slukket i 5 sekunder. Mønsteret gentager sig.	 x6

\*Findes kun på udvalgte modeller. Se i oversigtsvejledningen, om denne funktion er findes på din model.

## 9. SERVICEAFDELING

### Før serviceafdelingen kontaktes:

Start apparatet igen for at se, om fejlen er afhjulpet. Hvis dette ikke er tilfældet, afbrydes strømmen igen, og operationen gentages efter en time.

Hvis apparatet stadig ikke fungerer korrekt, efter at kontrollerne i fejlfindingsoversigten er udført, og der er tændt for apparatet igen, skal serviceafdelingen kontaktes. Beskriv problemet.

### Oplys venligst:

- Modellen og apparatets serienummer (opgivet på typepladen)
- Fejltypen,

**SERVICE** 0000 000 00000



- Servicenummeret (nummeret står efter ordet SERVICE på typepladen, der er anbragt inde i apparatet),
- Fulde navn og adresse
- Dit telefonnummer.

### Bemærk:

Lågen kan vendes, så den åbner i modsatte side. Hvis serviceafdelingen udfører vending af lågen, dækkes det ikke af garantien.

# SISÄLTÖ

Luku 1: ASENUS .....	31
1.1. YHDEN LAITTEEN ASENTAMINEN .....	31
1.2. KAHDEN LAITTEEN ASENTAMINEN .....	31
1.3. OVIEEN SÄÄTÄMINEN (EI KAIKISSA MALLEISSA) .....	31
Luku 2: TOIMINNOT .....	32
2.1. VIRTAA-/VALMIUSTILA .....	32
2.2. SMART-NÄYTTÖ* .....	32
2.3. 6TH SENSE FRESH CONTROL / PROFRESH .....	32
2.4. OVI AUKI -HÄLYTYS .....	32
2.5. LOMATOIMINTO .....	32
2.6. PIKAJÄÄHDYTYKSEN .....	32
2.7. NOLLA-ASTELOKERO* .....	33
2.8. TUULETIN .....	33
2.9. LÄMPÖTILA-ASETUS .....	33
2.10. NO-FROST HUURTUMATON JÄÄKAAPPIOSASTO .....	33
2.11. LED-VALOJÄRJESTELMÄ* .....	34
2.12. KOSTEUSSÄÄDETTY VIHANNESLAATIKKO* .....	34
Luku 3: KÄYTTÖ .....	34
3.1. JÄÄKAAPIN SÄILYTYSTILAN LISÄÄMINEN .....	34
3.2. HUOMAUTUKSIA .....	34
Luku 4: VINKKEJÄ RUOAN SÄILYTYKSEEN .....	34
4.1. ILMANKIERTO .....	34
4.2. TUORETARVIKKEIDEN JA JUOMIEN SÄILYTYSOHJEITA .....	34
4.3. TUORETARVIKKEIDEN JA JUOMIEN SÄILYTYSPAIKAT .....	35
Luku 5: TOIMINTÄÄNNET .....	35
Luku 6: SUOSITELTAVAT TOIMENPITEET, JOS LAITETTA EI KÄYTETÄ .....	36
6.1. PITKÄ POISSAOLO / LOMA-AIKA .....	36
6.2. MUUTTAMINEN .....	36
6.3. SÄHKÖKATKO .....	36
Luku 7: LAITTEEN HUOLTO JA .....	36
Luku 8: VIANETSINTÄOPAS .....	37
8.1. ENNEN KUIN OTAT YHTEYTTÄ HUOLTOON .....	37
8.2. VIAT .....	37
Luku 9: HUOLTOPALVELU .....	38
Muut:	
OVEN KÄTISYYDEN VAIHTAMINEN (VERSIO 1) .....	75
OVEN KÄTISYYDEN VAIHTAMINEN (VERSIO 2) .....	77

## HUOM.:

Ohjeet on kirjoitettu useita malleja varten, joten malleissa voi olla eroja. Jos osio koskee vain tiettyjä laitteita, se on merkitty asteriskilla (\*).

Toiminnot, jotka koskevat juuri ostettua tuotemallia, löytyvät PIKAOPPAASTA.

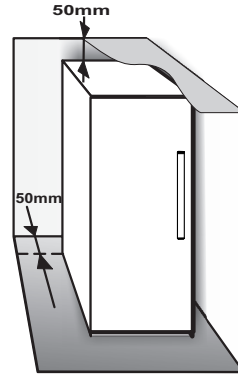
# 1. ASENNUS

## 1.1. YHDEN LAITTEEN ASENTAMINEN

Riittävän ilmanvaihdon varmistamiseksi jätä laitteen sivuille ja yläpuolelle tyhjää tilaa.

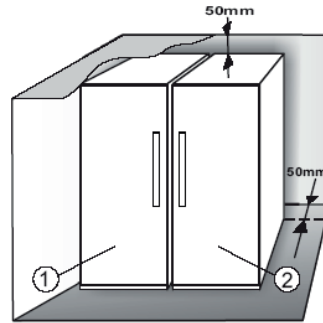
Laitteen takaosan ja seinän välisen etäisyyden tulisi olla vähintään 50 mm.

Tätä pienempi etäisyys lisää tuotteen energiankulutusta.

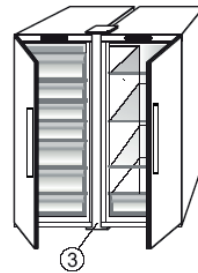


## 1.2. KAHDEN LAITTEEN ASENTAMINEN

Jos pakastin ① ja jääkaappi ② asennetaan yhdessä, pakastin on sijoitettava vasemmalle ja jääkaappi oikealle puolelle (kuvan mukaisesti). Jääkaapin vasemmalla sivulla on erityinen laite, joka estää kondensaatio-ongelmat laitteiden välillä.



Suosittellemme, että kaksi laitetta asennetaan yhdessä käyttämällä liittämisarjaa ③ (kuvan mukaisesti). Se voidaan ostaa huoltopalvelusta.

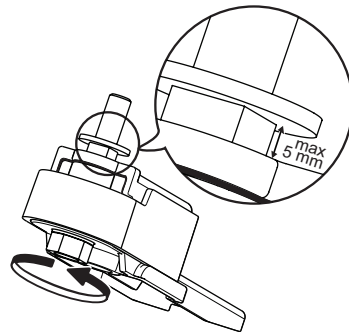


## 1.3. OVIEN SÄÄTÄMINEN (EI KAIKISSA MALLEISSA)

Ovien asettaminen samaan tasoon säädettävää alasaranaa käyttäen (eräissä malleissa).



Jos jääkaapin ovi on pakastimen ovea alempana, nosta jääkaapin ovea kiertämällä säätöruuvia vastapäivään M10-ruuviavaimella.

Jos pakastimen ovi on jääkaapin ovea alempana, nosta pakastimen ovea kiertämällä säätöruuvia vastapäivään M10-ruuviavaimella.






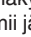
## 2. TOIMINNOT

### 2.1. VIRTA-/VALMIUSTILA

Tämä toiminto kytkee jääkaappiin virran/valmiustilan. Jos haluat asettaa laitteen valmiustilaan, paina virta-/valmiustila-painiketta  3 sekunnin ajan. Kun laite on Stand-by-valmiustilassa, jääkaappiosaston sisävalo ei toimi. Huomaa, että tämä toiminto ei kytke laitetta irti verkkovirrasta. Jos haluat kytkeä laitteen jälleen päälle (On), paina virta-/valmiustila-painiketta .

### 2.2. SMART-NÄYTTÖ\*

Tällä lisätoiminnolla voidaan säästää energiaa. Voit ottaa toiminnon käyttöön tai poistaa sen käytöstä noudattamalla Pikaoppaan ohjeita. Smart-näyttö sammuu, kun se on ollut aktivoituna kaksi sekuntia. Jos haluat säätää lämpötilaa tai käyttää muita toimintoja, sinun on aktivoitava näyttö painamalla jotain painiketta. Smart-näytön aktivoitumisen jälkeen se sammuu lukuun ottamatta “ Sense Fresh Control” / “ ProFresh” -toimintojen merkkivaloja. Jos Smart-näyttö on aktiivinen – jos haluat säätää lämpötilaa tai käyttää muita toimintoja, sinun on aktivoitava näyttö painamalla jotain painiketta.



Jos et käytä mitään näytön toimintoa 15 sekuntiin, näyttö sammuu uudelleen ja vain merkkivalo “ Sense Fresh Control” / “ ProFresh” pysyy näkyvässä. Kun toiminto poistetaan käytöstä, näyttö toimii jälleen normaalisti. Smart-näyttö poistuu automaattisesti käytöstä virtakatkoksen jälkeen. Huomaa, että tämä toiminto ei kytke laitetta irti verkkovirrasta. Se pienentää ainoastaan näyttöstä aiheutuvaa virrankulutusta.

**Huomaa:** Laitteen ilmoitettu energiankulutus koskee toimintaa käyttämällä Smart-näyttötoimintoa.

### 2.3. 6TH SENSE FRESH CONTROL / PROFRESH

Tämä toiminto mahdollistaa optimaalisten säilytysolosuhteiden (lämpötilan ja kosteuden) nopean saavuttamisen laitteen sisällä. Toiminnon moitteeton toiminta edellyttää, että tuuletin on kytketty päälle. Oletusarvoisesti “6th Sense Fresh Control” / “ProFresh” on otettu käyttöön. Tämän toiminnon käyttöönoton ja käytöstäpoiston ohjeet ovat oheisessa Pikaoppaassa. Kun virransyöttö on palannut sähkökatkon jälkeen tai Stand-by-valmiustilasta on palattu normaaliin tilaan, “6th Sense Fresh Control” / “ProFresh” -tila palautuu oletusarvoon, eli se on käytössä.

### 2.4. OVI AUKI -HÄLYTYS

Hälytyskuvake  vilkkuu ja laite antaa äänimerkin. Laite hälyttää, jos ovi on ollut auki yli 2 minuuttia. Sammuta hälytys sulkemalla ovi tai mykistä äänimerkki painamalla painiketta hälytyksen pysäytyspainiketta  kerran.

### 2.5. LOMATOIMINTO

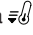
Tämän toiminnon avulla voidaan alentaa laitteen virrankulutusta, jos huoneistossa ei ole asujia. Varmista ennen toiminnon kytkemistä, että kaikki pilaantuvat ruoat on poistettu jääkaappiosastosta ja että ovi on suljettu huolellisesti, koska jääkaapin lämpötila säädetään epämiellyttävien hajujen muodostumisen estämiseksi vaaditulle tasolle (+12 °C). Loma-tila voidaan ottaa käyttöön / poistaa käytöstä painamalla Loma-painiketta 3 sekunnin ajan. Kun toiminto on käytössä, sen merkkivalo näkyy näytössä ja jääkaappiosaston lämpötila asetetaan normaalia korkeammaksi (näytössä näkyy lämpötilan uusi asetus, +12 °C). Lämpötila-asetuksen muuttaminen kytkee toiminnon automaattisesti pois käytöstä.

#### Huomio:

- **Ei toimi yhdessä pikajäähdytyksen kanssa**  
Optimaalisen toiminnan varmistamiseksi loma- ja pikajäähdytystoimintoja ei voida käyttää samaan aikaan. Jos siis pikajäähdytys on jo alkanut, se on ensin poistettava käytöstä, jotta lomatoiminto voidaan käynnistää (ja päinvastoin).

### 2.6. PIKAJÄÄHDYTYS

**Tätä toimintoa kannattaa käyttää silloin, kun jääkaappiosaston asetetaan kerralla suuria määriä elintarvikkeita.**

Pikajäähdytystoiminnolla  voidaan parantaa jääkaappiosaston jäähdytystehoa. Jäähdytystehon maksimoimiseksi tuuletin on pidettävä päällä.

#### Huomio:

- **Ei toimi yhdessä lomatoiminnon kanssa**  
Optimaalisen toiminnan varmistamiseksi loma- ja pikajäähdytystoimintoja ei voida käyttää samaan aikaan. Jos siis lomatoiminto on jo käynnistetty, se on ensin poistettava käytöstä, jotta pikajäähdytys voidaan käynnistää (ja päinvastoin).

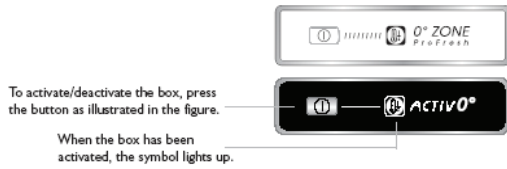
\*Vain tietyissä malleissa. Tarkista PIKAOPPAASTA, onko tämä toiminto käytettävissä ostamassasi mallissa.



## 2.7. NOLLA-ASTELOKERO\*

Nolla-astelokero on suunniteltu ylläpitämään alhainen lämpötila ja oikea kosteus, joiden ansiosta tuoretarvikkeet (esimerkiksi liha, kala, hedelmät ja talvivihannekset) säilyvät pidempään.

### Lokeron ottaminen käyttöön ja poistaminen käytöstä



Kun lokero on käytössä, sen sisäinen lämpötila on noin 0°. Seuraavat tekijät ovat ratkaisevan tärkeitä nolla-astelokeron kunnolliselle toiminnalle:

- jääkaappiosaston täytyy olla kytketty päälle
- jääkaappiosaston lämpötilan on oltava välillä +2 °C – +5 °C
- lokeron on oltava paikallaan, jotta se voidaan ottaa käyttöön
- laitteessa ei saa olla valittuna erikoistoimintoja (Standby-valmiustila, loma – mallikohtaisesti).

Jos jokin näistä erikoistoiminnoista on valittu, nolla-astelokero on poistettava käytöstä manuaalisesti ja sen sisällä olevat tuoretuotteet poistettava. Jos lokeroa ei poisteta käytöstä manuaalisesti, sen toiminta lakkaa automaattisesti 8 tunnin kuluttua.

### Huomaa:

- Jos symboli ei syty kun toiminto käynnistetään, tarkista että laatikko on oikein paikallaan. Jos ongelma toistuu, ota yhteys valtuutettuun huoltopalveluun.
- Jos toiminto on käytössä ja laatikko on auki, käyttöpaneelin merkkivalo saattaa sammua automaattisesti. Jos laatikko asetetaan paikalleen, merkkivalo syttyy jälleen
- Toiminnon tilasta riippumatta laitteesta saattaa kuulua hieman ääntä: tämä on normaalia toimintaa, josta ei tarvitse huolestua.
- Kun toiminto ei ole toiminnassa, lokeron lämpötila on sidoksissa jääkaapin sisällä olevaan yleiseen lämpötilaan.

Tässä tapauksessa siinä on suositeltavaa säilyttää hedelmiä ja vihanneksia, jotka eivät ole herkkiä kylmälle (marjat, omenat, aprikoosit, porkkanat, pinaatti, lehtisalaatti).

**Tärkeää:** Kun toiminto on käytössä ja jääkaapissa on paljon vettä sisältäviä tuotteita, hyllyille voi tiivistyä lauhdevettä. Jos näin tapahtuu, sammuta toiminto joksikin aikaa.

## 2.8. TUULETIN

Tuuletin parantaa lämmön jakautumista laitteen sisällä, jolloin elintarvikkeet säilyvät paremmin. Tuuletin on oletuksena päällä. On suositeltavaa pitää tuuletin päällekytkettynä, jotta 6th Sense Fresh Control / ProFresh -toiminto toimisi oikein. Sitä suositellaan myös, jos ulkolämpötila on yli 27–28 °C tai jos lasihyllyillä näkyy vesipisarointia tai sää on kostea. Huomaa, että tuuletin ei toimi jatkuvasti, vaikka se on kytketty päälle. Tuuletin käynnistyy/pysähtyy laitteen sisäisen lämpötilan ja/tai kosteustason mukaisesti. Tämän vuoksi on täysin normaalia, jos tuuletin ei toimi, vaikka se on kytketty päälle. Tämän toiminnon käyttöohjeet ovat oheisessa Pikaoppaassa.

**Huomio:** Tuulettimen pois kytkeminen sammuttaa 6th Sense Fresh Control / ProFresh -toiminnon.

### Huomaa:

#### Älä aseta ruokia ilmanottoaukkojen eteen.

Kytke tuuletin pois toiminnasta, kun ympäristön lämpötila on alhainen (alle 18 °C). Näin varmistat laitteen asianmukaisen toiminnan ja minimoit energiankulutuksen.

Katso tuulettimen poiskytkemisohteet yllä olevista ohjeista.

Jos laitteessa on tuuletin, se voidaan varustaa **antibakteerisella suodattimella**.

Ota suodatin pakkauksesta hedelmä- ja vihanneslaatikon sisällä ja aseta se tuulettimen suojukseen.

Vaihto-ohjeet ovat suodattimen pakkauksessa.

## 2.9. LÄMPÖTILA-ASETUS

Laitteen käyttölämpötilaksi on yleensä tehtaalla asetettu suositeltu 5 °C:n lämpötila. Sisälämpötilaa voidaan säätää alueella 8 °C – 2 °C seuraavalla tavalla:

- Paina lämpötilan säätöpainiketta (°C). Jokainen painikkeen painallus muuttaa säilytyslämpötilaa -1 °C: arvo vaihtuu toistuvasti alueella 8 °C – 2 °C.

**Huomaa:** Näytössä näytettävät arvot vastaavat koko jääkaapin keskimääräistä lämpötilaa.

## 2.10. NO-FROST HUURTUMATON JÄÄKAAPPIOSASTO

Jääkaappiosaston sulatus on täysin automaattinen. Jääkaappiosaston sisälle, takaseinään muodostuvat vesipisarot ilmaisevat, että automaattinen sulatus on käynnissä. Sulatusvesi valuu automaattisesti tyhjennysaukkoon ja siitä haihdutusastiaan, josta se haihtuu pois.

\*Vain tietyissä malleissa. Tarkista PIKAOPPAASTA, onko tämä toiminto käytettävissä ostamassasi mallissa.

## 2.11. LED-VALOJÄRJESTELMÄ\*

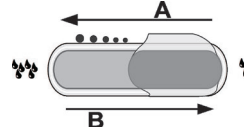
Jääkaappiosaston sisällä oleva valojärjestelmä käyttää LED-valoja. Niillä aikaansaadaan parempi valaistus ja niiden energiankulutus on hyvin alhainen. Jos LED-valojärjestelmä ei toimi, ota yhteys huoltopalveluun valojen vaihtamiseksi.

### Tärkeää:

Jääkaappiosaston sisävalo syttyy, kun jääkaapin ovi avataan. Jos ovea pidetään auki yli 10 minuuttia, valo sammuu automaattisesti.

## 2.12. KOSTEUSSÄÄDETTY VIHANNESLAATIKKO\*

Jääkaapin sisälle sijoitetut vihanneslaatikot on suunniteltu erityisesti pitämään hedelmät ja vihannokset tuoreina ja rapeina. Avaa kosteussäädin (asento B), jos haluat säilyttää elintarvikkeita, kuten esimerkiksi hedelmiä, vähemmän kosteassa ympäristössä, tai sulje se (asento A), jos haluat säilyttää elintarvikkeita, kuten esimerkiksi vihannesia, kosteammassa ympäristössä.



# 3. KÄYTTÖ

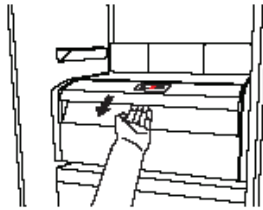
## 3.1. JÄÄKAAPIN SÄILYTYSTILAN LISÄÄMINEN

Voit säilyttää enemmän elintarvikkeita, jos poistat NOLLA-ASTELOKERON\*.

Toimi seuraavasti:

- sammuta lokero
- vedä laatikko ja lokeron alla oleva valkoinen muovitaso ulos.

**Huomaa:** ylähyllyä ja sivutukea ei voida poistaa. Kun otat nolla-astelokeron uudelleen käyttöön, muista ensin asettaa valkoinen muovihylly lokeron alle, sitten asettaa lokero paikalleen ja aktivoida toiminto. Jos haluat optimoida energiankulutuksen, suosittelemme, että poistat nolla-astelokeron käytöstä ja irrotat sen.



## 3.2. HUOMAUTUKSIA

- Älä tuki ilmanpoistoaluetta (tuotteen sisällä takaseinässä) elintarvikkeilla.
- Jos pakastimessa on luukku, säilytystilaa voidaan lisätä poistamalla luukku.
- Kaikki hyllytasot, luukut ja ulosvedettävät korit ovat irrotettavissa.
- Ympäristön lämpötila, oven avaamiskertojen tiheys sekä laitteen sijainti saattavat vaikuttaa laitteen sisälämpötilaan. Huomioi nämä tekijät säätäessäsi lämpötila-asetusta.
- Ellei toisin ole mainittu, laitteen lisävarusteet eivät kestä konepesua.
- Käytä Smart-näyttötoimintoa mahdollisimman usein.

# 4. VINKKEJÄ RUOAN SÄILYTYKSEEN

Jääkaappi sopii erityisesti valmisruokien, tuoreiden ja säilötyjen elintarvikkeiden, maitotuotteiden, hedelmien, vihannesten ja juomien säilytykseen.

## 4.1. ILMANKIERTO

- Jääkaappiosaston luontainen ilmankierto saa aikaan alueita, joissa on eri lämpötila. Kylmintä on heti hedelmä- ja vihanneslaatikon yläpuolella ja takaseinän lähellä. Lämpimintä on osaston yläetusassa.
- Puutteellinen ilmanvaihto lisää energiankulutusta ja vähentää jäähdytystehoa.

## 4.2. TUORETARVIKKEIDEN JA JUOMIEN SÄILYTYSOHJEITA

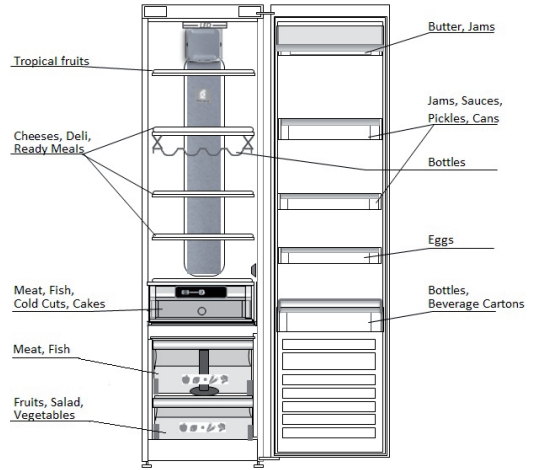
- Käytä ruokien suojana kierrätyskelpoisia muovi-, metalli-, alumiini- ja lasiastioita tai tuorekermua.
- Laita nestemäiset tuotteet sekä makuja tai hajuja levittävät tai imevät tuotteet suljettuihin astioihin tai kääri ne.
- Ruoat, joista vapautuu suuria määriä etyleenikaasua sekä ne, jotka ovat herkkiä tälle kaasulle, kuten hedelmät, vihannokset ja salaatti, tulisi aina erotella tai kääriä, jotta niiden säilymisaikea ei lyhentyisi; esimerkiksi tomaatteja ei saisi säilyttää yhdessä kiivien tai kaalin kanssa.
- Jätä elintarvikkeiden väliin riittävästi tilaa, jotta ilma pääsee kiertämään.
- Käytä pullopidikettä, jotta pulloet eivät kaadu (saatavilla joissakin malleissa).
- Jos jääkaapissa säilytettävää ruokaa on vain vähän, on suositeltavaa käyttää hedelmä- ja vihanneslaatikon yläpuolella olevia hyllyjä, sillä se on osaston kylmin paikka.

\*Vain tietyissä malleissa. Tarkista PIKAOPPAASTA, onko tämä toiminto käytettävissä ostamassasi mallissa.

#### 4.3. TUORETARVIKKEIDEN JA JUOMIEN SÄILYTYSPIAIKAT

- Jääkaapin hyllyillä: valmisruoat, trooppiset hedelmät, juustot, delituotteet.
- Kylmimmällä alueella – nolla-astelokerossa\* (viileäosaston yläpuolella): liha, kala, leikkeleet, kakut.
- Hedelmä- ja vihanneslaatikossa: hedelmät, salaattit, vihannekset.
- Ovessa: voi, hillot, kastikkeet, pikkelssit, tölkit, pullot, juomatölkit, munat.

#### ELINTARVIKKEIDEN SIOITTELUESIMERKKI



## 5. TOIMINTÄÄÄNET

Laitteesta kuuluu normaalin toiminnan aikana ääniä, koska laitteessa on useita tuulettimia ja sähkömoottoreita, jotka kytkeytyvät toimintaan ja pois toiminnasta automaattisesti.

- Tarkastamalla, että sisäosat on laitettu oikein paikalleen.
- Tarkastamalla, että pullot ja muut astiat eivät ole kosketuksissa toisiinsa.

Joitakin toimintääniä voidaan kuitenkin vähentää

- Säättämällä laite vaakatasoon ja sijoittamalla se tasaiselle alustalle.
- Sijoittamalla laite erilleen niin, että se ei kosketa kalusteisiin.

Seuraavia toimintääniä saattaa kuulua:

Suhiseva ääni, kun laite kytetään toimintaan ensimmäistä kertaa tai pitkän tauon jälkeen.



Kurluttava ääni, kun kylmäaineneste virtaa putkissa.



BRRR-ääni kuuluu käynnissä olevasta kompressorista.



Suriseva ääni, kun vesiventtiili tai tuuletin alkaa toimia.



Raksahtava ääni, kun kompressorin alkaa toimia tai kun valmiit jääpalat tippuvat jääpala-astiaan, naksahdukset, kun kompressorit käynnistyvät ja pysähtyvät.



NAKSAUS kuuluu termostaatista, joka säätelee kompressorin käyntitiheyden.



\*Vain tietyissä malleissa. Tarkista PIKAOPPAASTA, onko tämä toiminto käytettävissä ostamassasi mallissa.

## 6. SUOSITELTAVAT TOIMENPITEET, JOS LAITETTA EI KÄYTETÄ

### 6.1. PITKÄ POISSAOLO / LOMA-AIKA

Ennen lomalle lähtemistä on energian säästämiseksi suositeltavaa käyttää elintarvikkeet loppuun ja irrottaa laite sähköverkosta.

### 6.2. MUUTTAMINEN

1. Poista kaikki sisäiset osat.
2. Pakkaa osat hyvin ja kiinnitä ne toisiinsa teipillä, jotta ne eivät kolhiudu toisiaan vasten tai pääse katoamaan.
3. Kierrä säädettävät jalat niin, että ne eivät koske tukipintaan.
4. Sulje ovi ja kiinnitä se teipillä. Kiinnitä myös laitteen verkkojohto laitteeseen teipillä.

### 6.3. SÄHKÖKATKO

Jos virta katkeaa, tiedustele paikalliselta sähkölaitokselta, kuinka kauan sähkökatko todennäköisesti kestää.

**Huomaa:** Muista, että laite kestää kylmänä pidempään, jos se on täynnä.

Jos elintarvike vaikuttaa huonolaatuiselta, se kannattaa hävittää.

**Jos sähkökatko kestää korkeintaan 24 tuntia.**

1. Pidä laitteen ovi suljettuna. Näin laitteen sisällä olevat elintarvikkeet pysyvät kylminä mahdollisimman pitkään.

**Jos sähkökatko kestää yli 24 tuntia.**

1. Yritä käyttää helposti pilaantuvat elintarvikkeet.

## 7. LAITTEEN HUOLTO JA

Irrota pistoke pistorasiasta tai kytkä laite irti sähköverkosta ennen minkään huolto- tai puhdistustoimenpiteen aloittamista.

Puhdista laite silloin tällöin liinalla, joka on kastettu haaleaa vettä ja neutraaleja, erityisesti jääkaapin sisäosien puhdistukseen tarkoitettuja puhdistusaineita sisältävään liuokseen. Älä käytä hankaavia pesuaineita. Älä koskaan puhdista jääkaapin osia syttyvillä nesteillä. Höyryt saattavat aiheuttaa tulipaloja tai räjähdyksiä. Puhdista laitteen ulkopuoli ja ovi- ja oviviivien kostealla liinalla ja kuivaa pehmeällä liinalla. Älä käytä höyrypesuria.

Lauhdutin laitteen takana tulee puhdistaa säännöllisesti pölynimurilla.

Lauhdutin laitteen takana tulee puhdistaa säännöllisesti pölynimurilla.

### Tärkeää:

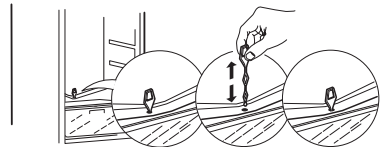
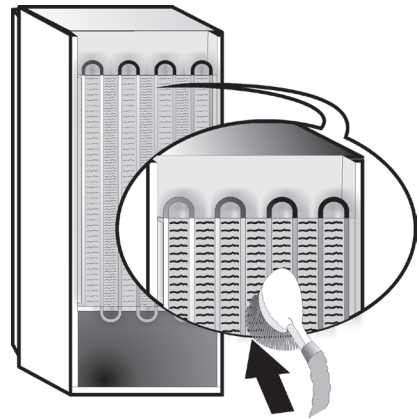
- Painikkeet ja käyttöpaneelin näyttö on puhdistettava kuivalla liinalla. Puhdistamiseen ei saa käyttää alkoholia tai alkoholipohjaisia aineita.
- Jäähdytysjärjestelmän putket ovat lähellä sulatuskaukaloa ja saattavat kuumeta. Puhdista ne ajoittain pölynimurilla.

Puhdista jääkaapin takaseinässä, hedelmä- ja vihanneslaatikon kohdalla oleva poistoaukko säännöllisesti laitteen mukana toimitetulla välineellä, jotta sulatusvesi poistuu aina oikeaa väylää pitkin.

**Ennen nolla-astelokeron puhdistamista (myös ulkopuolelta) lokero on poistettava, jotta lokeron sähkönsyöttö katkeaa.**

Puhdista lokero ja sen kaikki osat säännöllisesti. Käytä tähän liinaa, joka on kastettu lämmintä vettä ja neutraaleja, erityisesti jääkaapin sisäosien puhdistukseen tarkoitettuja puhdistusaineita sisältävään liuokseen. (Älä upota lokeron alla olevaa valkoista muovihyllyä veteen.)

Älä käytä hankaavia pesuaineita.



\*Vain tietyissä malleissa. Tarkista PIKAOPPAASTA, onko tämä toiminto käytettävissä ostamassasi mallissa.


# 8. VIANETSINTÄOPAS




## 8.1. ENNEN KUIN OTAT YHTEYTTÄ HUOLTOON...

Toimintaan liittyvät ongelmat ovat usein pieniä pulmia, jotka on helppo selvittää ja voidaan korjata ilman työkaluja.

ONGELMA	RATKAISU
<b>Laite ei toimi:</b>	<ul style="list-style-type: none"><li>• Onko verkkojohto liitetty pistorasiaan, jossa on oikea jännite?</li><li>• Oletko tarkastanut asunnon sähköverkon suojalaitteet ja sulakkeet?</li></ul>
<b>Jos sulatuskaukalossa on vettä:</b>	<ul style="list-style-type: none"><li>• Tämä on normaalia kuumalla ja kostealla säällä. Astia saattaa olla jopa puolillaan. Varmista, että laite on vaakatasossa, jotta vettä ei valu ulos kaukalosta.</li></ul>
<b>Jos laitekaapin reunat, jotka koskevat ovitiivisteeseen, ovat lämpimiä kosketettaessa:</b>	<ul style="list-style-type: none"><li>• Tämä on normaalia kuumalla säällä ja kun kompressori on käynnissä.</li></ul>
<b>Jos valo ei toimi:</b>	<ul style="list-style-type: none"><li>• Oletko tarkastanut asunnon sähköverkon suojalaitteet ja sulakkeet?</li><li>• Onko verkkojohto liitetty pistorasiaan, jossa on oikea jännite?</li><li>• Jos LED-valoissa on vikaa, käyttäjän on otettava yhteyttä huoltoliikkeeseen valojen vaihtoa varten. Tarvittavia LED-valoja on saatavana vain huoltoliikkeistä tai valtuutetuilta jälleenmyyjiltä.</li></ul>
<b>Jos sähkömoottori vaikuttaa käyvän liian paljon:</b>	<ul style="list-style-type: none"><li>• Moottorin käyntiaika riippuu useasta eri tekijästä: oven avauskertojen määrästä, säilytettävien elintarvikkeiden määrästä, huoneen lämpötilasta, lämpötilasäätimillä valitusta lämpötilasta.</li><li>• Onko lauhdutin (laitteen takana) puhdas pölystä ja nöyhdystä?</li><li>• Onko ovet suljettu kunnolla?</li><li>• Ovatko ovitiivisteet kunnossa?</li><li>• Moottori toimii normaalisti enemmän kuumalla säällä tai hyvin lämpimässä huoneessa.</li><li>• Jos laitteen ovea on pidetty auki pitkään tai avattu usein, tai jos sisään on pantu paljon ruokaa, moottori käy kauemmin, jotta laitteen sisäosa jäähtyy.</li></ul>
<b>Jos laitteen lämpötila on liian korkea:</b>	<ul style="list-style-type: none"><li>• Onko laitteen säätimet säädetty oikein?</li><li>• Onko laitteeseen asetettu suuri määrä elintarvikkeita?</li><li>• Varmista, että ovea ei avata liian usein.</li><li>• Varmista, että ovi sulkeutuu kunnolla.</li></ul>
<b>Jos ovet eivät aukea ja sulkeudu kunnollisesti:</b>	<ul style="list-style-type: none"><li>• Tarkasta, että elintarvikepakkaukset eivät ole oven tiellä.</li><li>• Tarkasta, että sisäosat tai jääautomaatti eivät ole pois paikaltaan.</li><li>• Tarkasta, että ovitiivisteet eivät ole likaiset tai tahmeat.</li><li>• Varmista, että laite on tasapainossa.</li></ul>

## 8.2. VIAT

Jos järjestelmä antaa toimintahälytyksen, ne näkyvät myös LED-valoilla (esim. vika 1, vika 2 jne...) – ota yhteys huoltoliikkeeseen ja ilmoita hälytyskoodi. Laite antaa äänimerkin, hälytyskuvake  syttyy ja numeronäytössä näkyvä F-kirjain vilkkuu alla kuvatus vikakoodin mukaisesti:

Vikakoodi	Näyttö
Virhe 2	F-kirjain vilkkuu päälle/pois 0,5 sekunnin välein. Vilkkuu PÄÄLLE 2 kertaa ja pysyy sitten sammuksissa 5 sekuntia. Jakso toistuu.  x2
Virhe 3	F-kirjain vilkkuu päälle/pois 0,5 sekunnin välein. Vilkkuu PÄÄLLE 3 kertaa ja pysyy sitten sammuksissa 5 sekuntia. Jakso toistuu.  x3
Virhe 6	F-kirjain vilkkuu päälle/pois 0,5 sekunnin välein. Vilkkuu PÄÄLLE 6 kertaa ja pysyy sitten sammuksissa 5 sekuntia. Jakso toistuu.  x6

\*Vain tietyissä malleissa. Tarkista PIKAOPPAASTA, onko tämä toiminto käytettävissä ostamassasi mallissa.

## 9. HUOLTOPALVELU

### Ennen kuin otat yhteyden huoltoon:

Kytke laite uudelleen päälle ja tarkista, korjautuiko ongelma itsestään. Jos näin ei ole, irrota laite sähköverkosta. Odota noin tunti ja kytke se sitten uudelleen päälle.

Jos Vianetsintä-kohdassa kuvattujen tarkistusten jälkeen olet kytkenyt laitteen päälle uudelleen eikä laite vielä toimi kunnollisesti, ota yhteys huoltopalveluun ja selitä ongelma.

### Ilmoita:

- laitteen malli ja sarjanumero (ilmoitettu arvokilvessä)
- ongelman laatu

**SERVICE** 0000 000 00000



- huoltonumero (numero, joka näkyy kilvessä laitteen sisällä sanan SERVICE jälkeen)
- täydellinen osoitteesi
- puhelin- ja suuntanumerosi.

### Huomaa:

Oven avausuunta voidaan vaihtaa. Jos tämä toimenpide suoritetaan huoltopalvelun toimesta, takuu ei kata sitä.

# INDEX

Chapitre 1 : <b>INSTALLATION</b> .....	40
1.1. INSTALLATION D'UN SEUL APPAREIL .....	40
1.2. INSTALLATION DE DEUX APPAREILS .....	40
1.3. CHARNIÈRES AJUSTABLES (SELON LE MODÈLE).....	40
Chapitre 2 : <b>FONCTIONS</b> .....	41
2.1. MARCHÉ/VEILLE .....	41
2.2. ÉCRAN INTELLIGENT*.....	41
2.3. CONTRÔLE DE FRAÎCHEUR 6TH SENSE / FRAÎCHEUR PRO .....	41
2.4. ALARME PORTE OUVERTE .....	41
2.5. VACANCES .....	41
2.6. REFROIDISSEMENT RAPIDE .....	41
2.7. BAC ZÉRO DEGRÉ* .....	42
2.8. VENTILATEUR.....	42
2.9. RÉGLAGE DE LA TEMPÉRATURE.....	42
2.10. COMPARTIMENT RÉFRIGÉRATEUR « NO-FROST ».....	42
2.11. SYSTÈME D'ÉCLAIRAGE A DEL* .....	43
2.12 BAC À HUMIDITÉ CONTRÔLÉE*.....	43
Chapitre 3 : <b>UTILISATION</b> .....	43
3.1. COMMENT AUGMENTER LA CAPACITÉ DE STOCKAGE DU RÉFRIGÉRATEUR.....	43
3.2. REMARQUES .....	43
Chapitre 4 : <b>CONSEILS POUR LA CONSERVATION DES ALIMENTS</b> .....	43
4.1. AÉRATION .....	43
4.2. COMMENT CONSERVER LES ALIMENTS FRAIS ET LES BOISSONS .....	43
4.3. OÙ CONSERVER LES ALIMENTS FRAIS ET LES BOISSONS .....	44
Chapitre 5 : <b>SONS FONCTIONNELS</b> .....	44
Chapitre 6 : <b>RECOMMANDATION EN CAS DE NON-UTILISATION DE L'APPAREIL</b> ....	45
6.1. ABSENCE/VACANCES .....	45
6.2. DÉMÉNAGEMENT.....	45
6.3. COUPURE DE COURANT.....	45
Chapitre 7 : <b>NETTOYAGE ET ENTRETIEN</b> .....	45
Chapitre 8 : <b>GUIDE DE DÉPANNAGE</b> .....	46
8.1. AVANT DE CONTACTER LE SERVICE APRÈS-VENTE.....	46
8.2. ANOMALIES.....	46
Chapitre 9 : <b>SERVICE APRÈS-VENTE</b> .....	47
Autres :	
INVERSER L'OUVERTURE DE LA PORTE (VERSION_1) .....	75
INVERSER L'OUVERTURE DE LA PORTE (VERSION_2) .....	77

## REMARQUE :

Ces instructions s'appliquent à plusieurs modèles. Elles peuvent par conséquent différer.

Les sections ne concernant que certains modèles sont indiquées par un astérisque (\*).

Consultez le **GUIDE DE DÉMARRAGE** pour connaître les fonctions propres au modèle de l'appareil que vous venez d'acquérir.

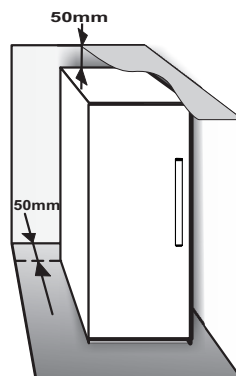
# 1. INSTALLATION

## 1.1. INSTALLATION D'UN SEUL APPAREIL

Afin de garantir une aération adéquate, laissez un espace des deux côtés et au-dessus de l'appareil.

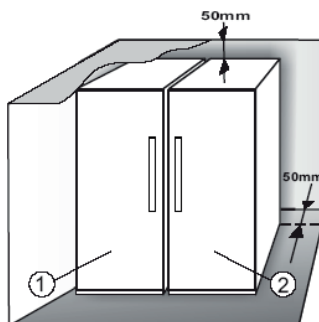
La distance entre l'arrière de l'appareil et le mur derrière l'appareil doit être d'au moins 50 mm.

Une réduction de l'espace recommandé entraîne une augmentation de la consommation d'énergie.



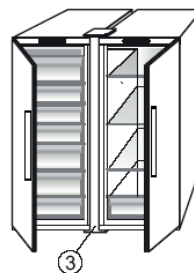
## 1.2. INSTALLATION DE DEUX APPAREILS

Durant l'installation du congélateur ① et du réfrigérateur ②, assurez-vous que le congélateur est placé à gauche et le réfrigérateur à droite (comme illustré sur l'image). Sur le côté gauche du réfrigérateur se trouve un dispositif spécial permettant d'éviter les problèmes de condensation entre les appareils.



Nous vous recommandons d'installer les deux appareils ensemble à l'aide de la trousse d'attaches ③ (comme illustré sur l'image).

Vous pouvez acquérir ce kit auprès du Service Après-Vente.

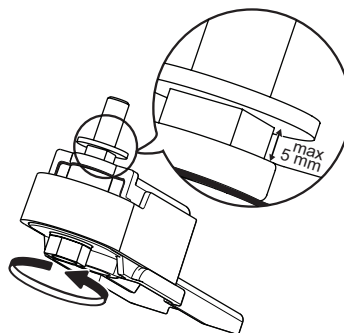


## 1.3. CHARNIÈRES AJUSTABLES (SELON LE MODÈLE)

Pour niveler les portes à l'aide d'une charnière inférieure ajustable (selon le modèle)

Si la porte du réfrigérateur est plus basse que la porte du congélateur, soulevez la porte du réfrigérateur en tournant la vis ajustable dans le sens antihoraire en utilisant une clé M10.



Si la porte du congélateur est plus basse que la porte du réfrigérateur, soulevez la porte du congélateur en tournant la vis ajustable dans le sens antihoraire en utilisant une clé M10.




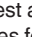



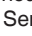
## 2. FONCTIONS

### 2.1. MARCHE/VEILLE

Cette fonction permet de mettre le réfrigérateur en mode Marche/Veille. Pour mettre l'appareil en mode Veille, appuyez sur la touche Marche/Veille  pendant 3 secondes. Lorsque l'appareil est en mode Veille, l'éclairage intérieur du compartiment réfrigérateur ne fonctionne pas. Il est bon de rappeler que cette opération ne coupe pas l'alimentation électrique au niveau de l'appareil. Pour rallumer l'appareil, appuyez simplement sur la touche Marche/Veille .

### 2.2. ÉCRAN INTELLIGENT\*

Cette fonction optionnelle peut être utilisée pour réaliser des économies d'énergie. Suivez les instructions du Guide de démarrage pour activer/désactiver cette fonction. L'affichage s'éteint deux secondes après l'activation de la fonction Écran intelligent. Pour régler la température ou utiliser d'autres fonctions, il est nécessaire d'activer l'affichage en appuyant sur une touche quelconque. Après avoir allumé l'Écran intelligent, l'écran s'éteint, à l'exception du voyant « Contrôle de fraîcheur  Sense » /  « Fraîcheur Pro ». Si l'Écran intelligent est activé : pour régler la température ou utiliser d'autres fonctions, il est nécessaire d'activer l'affichage en appuyant sur une touche quelconque.



Après environ 15 secondes d'inaction, l'écran s'éteint de nouveau et seul les voyants « Contrôle de fraîcheur  Sense » /  « Fraîcheur Pro » demeurent visibles. Dès que cette fonction est désactivée, l'affichage normal est rétabli. La fonction Écran intelligent est automatiquement désactivée après une panne de courant. N'oubliez pas que cette fonction ne coupe pas l'alimentation électrique au niveau de l'appareil, mais réduit uniquement l'énergie consommée par l'affichage externe.

**Remarque :** la consommation d'énergie déclarée fait référence au fonctionnement de l'appareil lorsque la fonction Écran intelligent est activée.

### 2.3. CONTRÔLE DE FRAÎCHEUR 6TH SENSE / FRAÎCHEUR PRO

Cette fonction permet d'atteindre rapidement des conditions de conservation optimales (en termes de température et d'humidité) à l'intérieur de l'appareil. Pour que cette fonction soit pleinement efficace, il est nécessaire d'activer également le ventilateur. Le « Contrôle de fraîcheur 6th Sense » / « Fraîcheur Pro » s'active automatiquement. Voir le Guide de démarrage rapide pour activer ou désactiver cette fonction. Après une panne de courant, ou lorsque vous passez du mode Veille au mode normal, la condition du « Contrôle de fraîcheur 6th Sense » / « Fraîcheur Pro » est réinitialisée au réglage par défaut, p. ex. active.

### 2.4. ALARME PORTE OUVERTE

L'icône Alarme  clignote et le signal sonore se déclenche. L'alarme se déclenche si la porte reste ouverte pendant plus de 2 minutes. Pour désactiver l'alarme de la porte, fermez la porte ou appuyez une fois sur la touche Arrêt d'alarme  pour éteindre l'alarme sonore.

### 2.5. VACANCES

Vous pouvez activer cette fonction afin de réduire la consommation d'énergie de l'appareil lorsque vous vous absentez.

Avant l'activation de la fonction, retirez tous les aliments périssables du compartiment réfrigérateur et assurez-vous que la porte est fermée correctement, puisque le réfrigérateur maintiendra une température appropriée pour empêcher l'apparition d'odeurs désagréables (+12 °C).


Pour activer/désactiver cette fonction, appuyez sur la touche du mode Vacances pendant 3 secondes. Lorsque la fonction est activée, le symbole correspondant s'allume et la température du compartiment réfrigérateur sera réglée sur un point de réglage supérieur (l'affichage de température indique le nouveau point de réglage de température de +12 °C). Le changement du point de consigne de la température désactive automatiquement la fonction.

#### Important :

- **Incompatibilité avec la fonction « Refroidissement rapide »**  
Pour garantir des performances optimales, il est impossible d'utiliser simultanément les fonctions « Vacances » et « Refroidissement rapide ». Par conséquent, si vous avez déjà activé la fonction « Refroidissement rapide », vous devez la désactiver avant d'utiliser la fonction « Vacances » (et vice versa).

### 2.6. REFROIDISSEMENT RAPIDE

**L'utilisation de cette fonction est recommandée lorsque vous placez une très grande quantité d'aliments dans le compartiment du réfrigérateur.**

La fonction Refroidissement rapide  permet d'augmenter la capacité de refroidissement dans le compartiment réfrigérateur. Pour maximiser la capacité de refroidissement, laissez le ventilateur en marche.

#### Important :

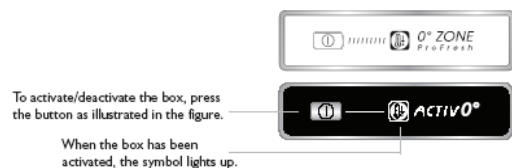
- **Incompatibilité avec la fonction « Vacances »**  
Pour garantir des performances optimales, il est impossible d'utiliser simultanément les fonctions « Vacances » et « Refroidissement rapide ». Par conséquent, si vous avez déjà activé la fonction « Vacances », vous devez la désactiver avant d'utiliser la fonction « Refroidissement rapide » (et vice versa).

\*Disponible sur certains modèles uniquement. Consultez le GUIDE DE DÉMARRAGE pour savoir si votre modèle est doté de cette fonction.

## 2.7. BAC ZÉRO DEGRÉ\*

Le bac zéro degré est spécifiquement conçu pour maintenir une température faible et un taux d'humidité optimal afin de conserver les aliments plus longtemps, notamment la viande, le poisson, ainsi que les fruits et les légumes d'hiver.

### Activation et désactivation du bac



Lorsque le bac est activé, la température interne est d'environ 0 °C. Il est essentiel de respecter les points suivants pour assurer le fonctionnement optimal du « Zéro degré » :

- le compartiment réfrigérateur doit être allumé
- la température du compartiment réfrigérateur doit être entre +2°C et +5°C ;
- le bac doit être inséré avant d'activer cette fonction
- Aucune fonction spéciale (Veille, Vacances, etc.) ne doit avoir été sélectionnée.

Si l'une de ces fonctions spéciales a été sélectionnée, vous devez désactiver manuellement le bac « Zéro degré » et retirer les aliments frais qu'il contient. Si vous ne désactivez pas le bac manuellement, il sera désactivé automatiquement au bout de 8 heures.

### Remarque :

- si le symbole ne s'allume pas lorsque la fonction est activée, assurez-vous que le bac est bien inséré ; Si le problème persiste, contactez un Service Après-vente agréé
- si la fonction est activée alors que le bac est ouvert, le symbole sur le panneau de commande peut s'éteindre automatiquement. Le symbole réapparaît dès que le bac est inséré
- sans tenir compte de la condition de la fonction, vous pourriez entendre un faible bruit : cela est tout à fait normal et n'indique aucun dysfonctionnement.
- lorsque la fonction n'est pas active, la température à l'intérieur du bac dépend de la température à l'intérieur du réfrigérateur.

Dans ce cas, nous vous recommandons d'utiliser le bac pour y stocker des fruits et des légumes qui ne sont pas sensibles aux basses températures (fruits des bois, pommes, abricots, carottes, épinards, laitue, etc.).

**Important :** si la fonction est activée et si des aliments à haute teneur en eau sont présents, de la condensation pourrait se former sur les clayettes. Dans ce cas, désactivez temporairement la fonction.

## 2.8. VENTILATEUR

Le ventilateur assure une diffusion homogène de la température à l'intérieur du produit, garantissant ainsi une meilleure conservation des aliments. Le ventilateur est activé par défaut. Il est recommandé de ne pas désactiver le ventilateur afin que la fonction Contrôle de fraîcheur 6th Sense / Fraîcheur Pro puisse fonctionner adéquatement, lorsque la température ambiante dépasse les 27 à 28 °C, si des gouttes d'eau sont présentes sur les tablettes en verre, ou encore si le taux d'humidité est particulièrement élevé. Il convient de noter que, même s'il est activé, le ventilateur ne fonctionne pas en continu. Il s'activera ou se désactivera en fonction de la température et/ou du niveau d'humidité à l'intérieur de l'appareil. Par conséquent, il est normal que le ventilateur ne tourne pas même s'il est activé.

Pour activer ou désactiver cette fonction, reportez-vous au Guide de démarrage fourni.

**Important :** éteindre le ventilateur désactive la fonction Contrôle de fraîcheur 6th Sense / Fraîcheur Pro.

### Remarque :

#### Évitez d'obstruer les zones d'arrivée d'air avec des aliments.

Afin d'optimiser la consommation d'énergie et de garantir de bonnes performances de l'appareil, veillez à éteindre le ventilateur lorsque la température ambiante est inférieure à 18 °C.

Pour éteindre le ventilateur, suivez la procédure décrite ci-dessus.

Si votre appareil est équipé d'un ventilateur, celui-ci peut être doté d'un **filtre antibactérien**.

Sortez le filtre de la boîte située dans le bac à fruits et légumes et introduisez-le dans le couvercle du ventilateur.

Les instructions de remplacement se trouvent dans la boîte du filtre.

## 2.9. RÉGLAGE DE LA TEMPÉRATURE

L'appareil est normalement réglé en usine pour fonctionner à la température recommandée de 5 °C. Il est possible de régler la température intérieure entre 2°C et 8°C en procédant comme suit :

- Appuyez sur la touche de réglage de la température (°C). Chaque pression permet de modifier la température de stockage de -1 °C : la valeur change de manière cyclique entre 8 °C et 2 °C.

**Remarque :** Les valeurs affichées correspondent à la température moyenne dans tout le réfrigérateur.

## 2.10. COMPARTIMENT RÉFRIGÉRATEUR « NO-FROST »

Le dégivrage du compartiment réfrigérateur est entièrement automatique.

La présence périodique de gouttelettes d'eau sur la paroi arrière du compartiment réfrigérateur indique qu'un dégivrage automatique est en cours. L'eau de dégivrage est automatiquement acheminée jusqu'à un orifice d'évacuation, puis est recueillie dans un récipient avant de s'évaporer.

\*Disponible sur certains modèles uniquement. Consultez le GUIDE DE DÉMARRAGE pour savoir si votre modèle est doté de cette fonction.

## 2.11. SYSTÈME D'ÉCLAIRAGE A DEL\*

Le système d'éclairage à l'intérieur du compartiment réfrigérateur comporte des ampoules à LED, ce qui permet un meilleur éclairage, ainsi qu'une consommation d'énergie plus faible. Si le système d'éclairage DEL ne fonctionne pas, contactez le Service Après-vente pour le remplacer.

### Important :

L'éclairage du compartiment réfrigérateur s'allume à l'ouverture de la porte. Si la porte est laissée ouverte pendant plus de 10 minutes, l'ampoule s'éteint automatiquement.

## 3. UTILISATION

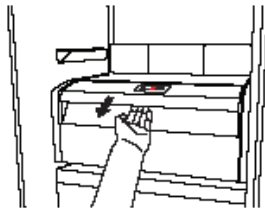
### 3.1. COMMENT AUGMENTER LA CAPACITÉ DE STOCKAGE DU RÉFRIGÉRATEUR

Vous pouvez augmenter la capacité de stockage en retirant le « BAC ZÉRO DEGRÉ »\*

Dans ce cas, procédez comme suit :

- éteignez le bac
- retirez le bac et la tablette en plastique blanc située sous le bac.

**Remarque :** vous pouvez retirer la clayette supérieure et le support latéral. Pour remettre en place le « Bac zéro degré », veillez à replacer la clayette en plastique blanc sous le compartiment avant d'insérer le bac et de réactiver la fonction. Pour optimiser la consommation d'énergie, nous vous recommandons de désactiver le « Bac zéro degré » et de le retirer.



## 4. CONSEILS POUR LA CONSERVATION DES ALIMENTS

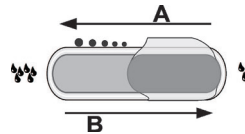
Le réfrigérateur constitue le lieu de stockage idéal pour les plats préparés, les aliments frais et en conserve, les produits laitiers, les fruits et légumes et les boissons.

### 4.1. AÉRATION

- La circulation naturelle de l'air dans le compartiment réfrigérateur produit des zones avec des températures différentes. La zone la plus froide se trouve juste au-dessus du bac à fruits et légumes et au niveau de la paroi arrière. La zone la plus chaude se trouve au niveau supérieur avant du compartiment.
- Une mauvaise aération conduit à une augmentation de la consommation d'énergie et une réduction des performances du réfrigération.

### 4.2 BAC À HUMIDITÉ CONTRÔLÉE\*

Les bacs à salade installés dans le réfrigérateur sont spécialement conçus pour garder les fruits et légumes frais et croquants. Ouvrez le régulateur d'humidité (position B) si vous désirez conserver des aliments dans un environnement moins humide (p. ex. des fruits), ou fermez-le (position A) pour conserver les aliments dans un environnement plus humide (p. ex. des légumes).



### 3.2. REMARQUES

- N'obstruez pas les sorties d'air (sur la paroi arrière, à l'intérieur de l'appareil) avec des aliments.
- Si le congélateur dispose d'un rabat, vous pouvez maximiser le volume de conservation en le retirant.
- Toutes les tablettes, les rabats, et les paniers coulissants sont amovibles.
- La température intérieure de l'appareil est affectée par la température ambiante, la fréquence d'ouverture des portes, et l'endroit où l'appareil est installé. Le réglage de la température doit toujours prendre ces facteurs en compte.
- À moins d'indication contraire, les accessoires de l'appareil ne peuvent pas être lavés au lave-vaisselle.
- Utilisez la fonction Écran intelligent aussi souvent que possible.

### 4.2. COMMENT CONSERVER LES ALIMENTS FRAIS ET LES BOISSONS

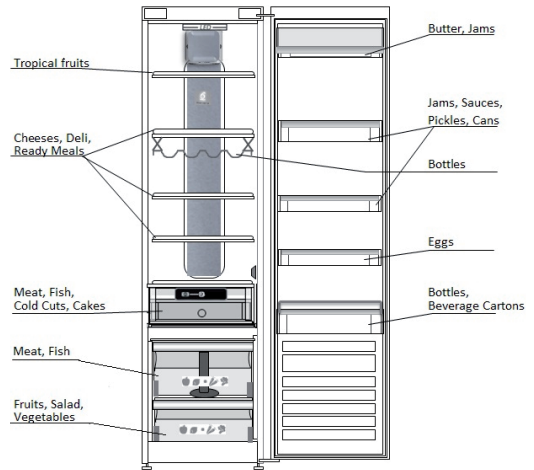
- Utilisez des récipients recyclables en plastique, en métal, en aluminium, ou en verre, ou une pellicule autocollante pour envelopper les aliments.
- Utilisez toujours des récipients fermés pour les liquides et les aliments qui dégagent ou absorbent des odeurs ou des saveurs, ou recouvrez-les.
- Les aliments qui laissent échapper une grande quantité de gaz éthylène, et ceux qui sont sensibles à ce gaz, comme les fruits, les légumes, et la salade, doivent toujours être séparés ou enveloppés de façon à ne pas réduire la durée de conservation ; par exemple, n'entrez pas les tomates avec les kiwis ou les choux.
- Ne placez pas les aliments trop près les uns des autres afin de permettre une bonne circulation d'air.
- Pour éviter que les bouteilles ne tombent, vous pouvez utiliser le porte-bouteilles (disponible sur certains modèles).
- Si vous avez une petite quantité de nourriture à conserver dans le réfrigérateur, nous vous conseillons d'utiliser les tablettes situées au-dessus du bac à fruits et légumes; cette zone est la plus froide du compartiment.

\*Disponible sur certains modèles uniquement. Consultez le GUIDE DE DÉMARRAGE pour savoir si votre modèle est doté de cette fonction.

#### 4.3. OÙ CONSERVER LES ALIMENTS FRAIS ET LES BOISSONS

- Sur les tablettes du réfrigérateur : plats préparés, fruits tropicaux, fromages, charcuterie.
- Dans la zone la plus froide - le bac Zéro degré\* (situé au-dessus du compartiment de refroidissement\*) : viande, poisson, morceaux froids, gâteaux.
- Dans le bac à fruits et légumes : fruits, salade, légumes.
- Dans la porte : beurre, confitures, sauces, cornichons, conserves, bouteilles, boissons en brique, œufs.

#### EXEMPLE DE DISPOSITION DES ALIMENTS



### 5. SONS FONCTIONNELS

Les bruits provenant de votre appareil sont tout à fait normaux. Votre appareil est en effet doté de ventilateurs et de moteurs qui contrôlent automatiquement la mise sous et hors tension.

- Assurez-vous que les accessoires internes sont correctement installés.
- Assurez-vous que les bouteilles et les récipients ne s'entrechoquent pas.

Pour réduire certains bruits de fonctionnement, vous pouvez

- Nivelez l'appareil et installez-le sur une surface plane.
- Éviter le contact entre l'appareil et les meubles adjacents.

Votre appareil peut émettre les bruits de fonctionnement suivants :

Un sifflement la première fois que vous mettez l'appareil en marche ou après une interruption de fonctionnement prolongée.



Un gargouillement quand le fluide réfrigérant s'écoule dans les tuyaux.



Un grondement qui correspond au fonctionnement du compresseur.



Un bourdonnement lorsque le robinet d'eau ou le ventilateur se met en marche.



Un craquement au démarrage du compresseur ou lorsque la glace s'apprête à tomber dans le bac à glaçons, et un clic soudain lorsque le compresseur démarre ou arrête.



Le CLIC vient du thermostat qui ajuste la fréquence de fonctionnement du compresseur.



\*Disponible sur certains modèles uniquement. Consultez le GUIDE DE DÉMARRAGE pour savoir si votre modèle est doté de cette fonction.

## 6. RECOMMANDATION EN CAS DE NON-UTILISATION DE L'APPAREIL

### 6.1. ABSENCE/VACANCES

Si vous partez en vacances, nous vous recommandons de consommer les aliments stockés et de débrancher l'appareil pour économiser de l'énergie.

### 6.2. DÉMÉNAGEMENT

1. Retirez les pièces internes.
2. Emballez-les soigneusement et fixez-les entre elles avec du ruban adhésif afin de ne pas les perdre et d'éviter qu'elles ne s'entrechoquent.
3. Vissez les pieds réglables de façon à ce qu'ils ne touchent pas la surface de support.
4. Fermez et fixez la porte avec du ruban adhésif et fixez le câble d'alimentation à l'appareil, également avec du ruban adhésif.

### 6.3. COUPURE DE COURANT

Dans le cas d'une coupure de courant, contactez votre compagnie électrique pour savoir combien de temps va durer la panne.

**Remarque :** A noter qu'un appareil plein restera froid plus longtemps qu'un appareil à moitié plein.

Si les aliments se sont décongelés, il est préférable de les jeter.

#### Coupsures de courant allant jusqu'à 24 heures.

1. Maintenez la porte de l'appareil fermée. Cela permettra de garder au froid les aliments stockés le plus longtemps possible.

#### Coupsures de courant supérieures à 24 heures.

1. Essayez de consommer en premier les denrées périssables.

## 7. NETTOYAGE ET ENTRETIEN

Avant d'effectuer les opérations d'entretien ou de nettoyage, débranchez l'appareil de la fiche d'alimentation secteur ou coupez l'alimentation électrique.

Nettoyez régulièrement l'appareil avec un chiffon et une solution d'eau tiède et de détergent neutre spécifique au nettoyage des parois internes du réfrigérateur. N'utilisez jamais d'agents abrasifs. Ne nettoyez jamais les accessoires du réfrigérateur avec des liquides inflammables. Les émanations peuvent provoquer un incendie ou une explosion. Nettoyez les parois externes de l'appareil et le joint de porte avec un chiffon humide et séchez-les avec un chiffon doux.

N'utilisez pas de nettoyeur à vapeur.

Le condensateur situé à l'arrière de l'appareil doit être nettoyé régulièrement avec un aspirateur.

Le condensateur situé à l'arrière de l'appareil doit être nettoyé régulièrement avec un aspirateur.

#### Important :

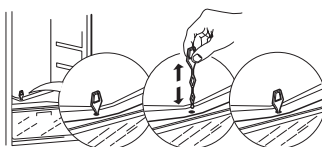
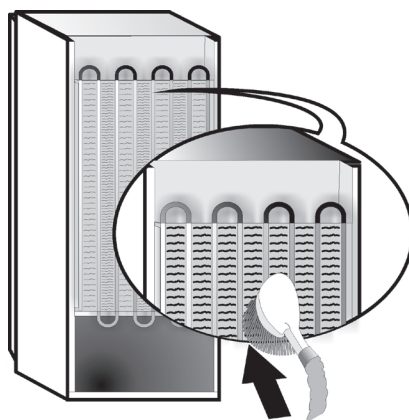
- Les touches et l'écran du panneau de commande doivent être nettoyées avec un chiffon sec ; n'utilisez pas d'alcool ou des substances dérivées de l'alcool.
- Les tuyaux du circuit de réfrigération sont situés près du bac de dégivrage et peuvent être chauds au touché. Nettoyez-les régulièrement avec un aspirateur.

Pour assurer une évacuation constante et correcte de l'eau de dégivrage, nettoyez régulièrement l'intérieur de l'orifice d'évacuation situé sur la paroi arrière du compartiment réfrigérateur, à proximité du bac à fruits et légumes, à l'aide de l'outil fourni avec l'appareil.

#### Avant de nettoyer le « Bac zéro degré » (et notamment les parois externes), retirez-le de façon à le déconnecter de l'alimentation électrique.

Nettoyez le bac et tous ses composants régulièrement à l'aide d'un chiffon et d'une solution à base d'eau tiède et de détergent neutre spécifique pour le nettoyage des parois internes du réfrigérateur (veillez à ne pas immerger dans l'eau la clayette en plastique blanc située sous le bac).

N'utilisez jamais de détergents abrasifs.



\*Disponible sur certains modèles uniquement. Consultez le GUIDE DE DÉMARRAGE pour savoir si votre modèle est doté de cette fonction.


## 8. GUIDE DE DÉPANNAGE




### 8.1. AVANT DE CONTACTER LE SERVICE APRÈS-VENTE...

Certains dysfonctionnements sont souvent dus à des problèmes mineurs que vous pouvez identifier et résoudre vous-même sans aucun outil.

PROBLÈME	SOLUTION
<b>L'appareil ne fonctionne pas :</b>	<ul style="list-style-type: none"> <li>Le réfrigérateur est-il branché à une prise qui fonctionne avec la bonne tension ?</li> <li>Avez-vous vérifié les dispositifs de protection et fusibles du système électrique de votre maison ?</li> </ul>
<b>Si le bac de dégivrage contient de l'eau :</b>	<ul style="list-style-type: none"> <li>Cela est normal par temps chaud et humide. Il est même possible que le bac soit à moitié plein. Vérifiez que l'appareil est de niveau de façon à ce que l'eau ne déborde pas.</li> </ul>
<b>Si les bords de l'appareil qui sont en contact avec le joint de porte sont chauds au toucher :</b>	<ul style="list-style-type: none"> <li>Cela est normal par temps chaud et lorsque le compresseur fonctionne.</li> </ul>
<b>Si l'éclairage intérieur ne fonctionne pas :</b>	<ul style="list-style-type: none"> <li>Avez-vous vérifié les dispositifs de protection et les fusibles de l'alimentation électrique de la maison ?</li> <li>Le réfrigérateur est-il branché à une prise qui fonctionne avec la bonne tension ?</li> <li>Si les DEL sont brisées, l'utilisateur doit appeler le Service Après-vente pour l'échanger avec un DEL du même type, disponible uniquement auprès de nos centres de Services Après-vente ou détaillants autorisés.</li> </ul>
<b>Si le moteur semble tourner en surrégime :</b>	<ul style="list-style-type: none"> <li>La durée de fonctionnement du moteur dépend de plusieurs facteurs : fréquence d'ouverture de la porte, quantité d'aliments stockés, température de la pièce, réglages de température.</li> <li>Y a-t-il de la poussière ou des peluches sur le condenseur (arrière de l'appareil)?</li> <li>La porte est-elle bien fermée ?</li> <li>Les joints de la porte sont-ils bien étanches ?</li> <li>Par temps chaud ou dans une pièce chaude, le moteur fonctionne naturellement plus longtemps.</li> <li>Si la porte est restée longtemps ouverte ou si vous avez inséré une grande quantité d'aliments dans l'appareil, le moteur fonctionnera plus longtemps afin de refroidir l'intérieur du compartiment.</li> </ul>
<b>Si la température de l'appareil est trop élevée :</b>	<ul style="list-style-type: none"> <li>Le réfrigérateur est-il bien réglé ?</li> <li>Une grande quantité d'aliments a-t-elle été insérée dans le réfrigérateur ou le congélateur ?</li> <li>Assurez-vous que la porte n'est pas ouverte trop souvent.</li> <li>Assurez-vous que la porte se ferme correctement.</li> </ul>
<b>Si les portes ne s'ouvrent et ne se ferment pas correctement :</b>	<ul style="list-style-type: none"> <li>Assurez-vous que les emballages de nourritures ne bloquent pas la porte.</li> <li>Assurez-vous que les pièces internes ou la machine à glaçons automatique sont bien en place.</li> <li>Assurez-vous que les joints de la porte ne sont pas sales ou collants.</li> <li>Assurez-vous que l'appareil est au niveau.</li> </ul>

### 8.2. ANOMALIES

En cas de dysfonctionnement, une alarme se déclenche et le message/symbole correspondant apparaît sur l'affichage à DEL (p. ex. : Anomalie 1, Anomalie 2, etc.). Dans ce cas, contactez le Service Après-Vente et spécifiez le code d'alarme. Une alarme sonore se déclenche, l'icône Alarme  s'illumine et la lettre F clignote sur l'écran numérique en fonction du code d'anomalie décrit ci-dessous :

Code d'anomalie	Affichage
Erreur 2	La lettre F clignote à 0,5 seconde d'intervalle. Clignote 2 fois, puis reste éteinte pendant 5 secondes. Cette séquence se répète.  x2
Erreur 3	La lettre F clignote à 0,5 seconde d'intervalle. Elle clignote 3 fois, puis reste éteinte pendant 5 secondes. Cette séquence se répète.  x3
Erreur 6	La lettre F clignote à 0,5 seconde d'intervalle. Elle clignote 6 fois, puis reste éteinte pendant 5 secondes. Cette séquence se répète.  x6

\*Disponible sur certains modèles uniquement. Consultez le GUIDE DE DÉMARRAGE pour savoir si votre modèle est doté de cette fonction.

## 9. SERVICE APRÈS-VENTE

### Avant de contacter le Service après-vente :

Remettez l'appareil en marche pour vous assurer que l'inconvénient a été éliminé. Si ce n'est pas le cas, débranchez l'appareil de l'alimentation électrique et patientez environ une heure avant de le rallumer.

Si, après avoir procédé aux vérifications décrites dans le Guide de dépannage et après avoir remis l'appareil sous tension, ce dernier ne fonctionne toujours pas correctement, contactez le Service Après-Vente pour expliquer le problème.

### Précisez :

- le modèle et le numéro de série de l'appareil (figurant sur la plaque signalétique),
- le type de panne ,

**SERVICE** 0000 000 00000



- le numéro de série (numéro qui se trouve après le mot **SERVICE** sur la plaque signalétique placée à l'intérieur de l'appareil),
- votre adresse complète,
- votre numéro de téléphone avec l'indicatif régional.

### Remarque :

Le sens d'ouverture des portes peut être modifié.

Si cette opération est effectuée par le Service Après-Vente, elle n'est pas couverte par la garantie.

# INDICE

Capitolo 1: <b>INSTALLAZIONE</b> .....	<b>49</b>
1.1. <b>INSTALLAZIONE DELL'APPARECCHIO SINGOLO</b> .....	<b>49</b>
1.2. <b>INSTALLAZIONE DI DUE APPARECCHI</b> .....	<b>49</b>
1.3. <b>REGOLAZIONE DELLE PORTE (SE DISPONIBILE)</b> .....	<b>49</b>
Capitolo 2: <b>FUNZIONI</b> .....	<b>50</b>
2.1. <b>ON/STANDBY</b> .....	<b>50</b>
2.2. <b>SMART DISPLAY*</b> .....	<b>50</b>
2.3. <b>6TH SENSE FRESH CONTROL / PROFRESH</b> .....	<b>50</b>
2.4. <b>ALLARME PORTA APERTA</b> .....	<b>50</b>
2.5. <b>VACANZA</b> .....	<b>50</b>
2.6. <b>RAFFREDDAMENTO RAPIDO</b> .....	<b>50</b>
2.7. <b>CASSETTO ZERO GRADI*</b> .....	<b>51</b>
2.8. <b>VENTOLA</b> .....	<b>51</b>
2.9. <b>IMPOSTAZIONE DELLA TEMPERATURA</b> .....	<b>51</b>
2.10. <b>COMPARTO FRIGORIFERO NO-FROST</b> .....	<b>51</b>
2.11. <b>SISTEMA DI ILLUMINAZIONE A LED*</b> .....	<b>52</b>
2.12. <b>CASSETTO A UMIDITÀ CONTROLLATA*</b> .....	<b>52</b>
Capitolo 3: <b>IMPIEGO CONSIGLIATO</b> .....	<b>52</b>
3.1. <b>AUMENTO DELLA CAPACITÀ DI CONSERVAZIONE DEL FRIGORIFERO</b> .....	<b>52</b>
3.2. <b>NOTE:</b> .....	<b>52</b>
Capitolo 4: <b>CONSIGLI SULLA CONSERVAZIONE DEGLI ALIMENTI</b> .....	<b>52</b>
4.1. <b>VENTILAZIONE</b> .....	<b>52</b>
4.2. <b>MODALITÀ DI CONSERVAZIONE DI ALIMENTI FRESCHI E BEVANDE</b> .....	<b>52</b>
4.3. <b>DOVE CONSERVARE ALIMENTI FRESCHI E BEVANDE</b> .....	<b>53</b>
Capitolo 5: <b>SEGNALI ACUSTICI FUNZIONALI</b> .....	<b>53</b>
Capitolo 6: <b>RACCOMANDAZIONE IN CASO DI NON UTILIZZO DELL'APPARECCHIO</b> ...	<b>54</b>
6.1. <b>ASSENZA / VACANZA</b> .....	<b>54</b>
6.2. <b>SPOSTAMENTO</b> .....	<b>54</b>
6.3. <b>GUASTO DELL'ALIMENTAZIONE ELETTRICA</b> .....	<b>54</b>
Capitolo 7: <b>MANUTENZIONE E PULIZIA</b> .....	<b>54</b>
Capitolo 8: <b>GUIDA ALLA RICERCA GUASTI</b> .....	<b>55</b>
8.1. <b>PRIMA DI CONTATTARE IL SERVIZIO ASSISTENZA</b> .....	<b>55</b>
8.2. <b>GUASTI</b> .....	<b>55</b>
Capitolo 9: <b>SERVIZIO ASSISTENZA</b> .....	<b>56</b>
Altro:	
<b>INVERSIONE DELLA PORTA (VERSIONE 1)</b> .....	<b>75</b>
<b>INVERSIONE DELLA PORTA (VERSIONE 2)</b> .....	<b>77</b>

**NOTA:**

Le istruzioni sono valide per diversi modelli, si potrebbero quindi notare alcune differenze.  
Le sezioni valide solo per determinati apparecchi sono contrassegnate con un asterisco (\*).  
Le funzioni dedicate appositamente al modello acquistato sono disponibili nella GUIDA RAPIDA INTRODUTTIVA.



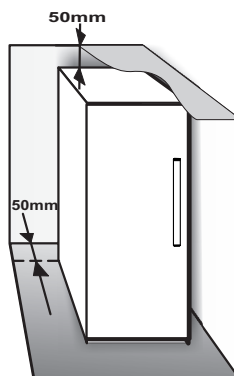
# 1. INSTALLAZIONE

## 1.1. INSTALLAZIONE DELL'APPARECCHIO SINGOLO

Per garantire un'adeguata ventilazione, lasciare i lati e la parte superiore dell'apparecchio sufficientemente distanziati dalla parete.

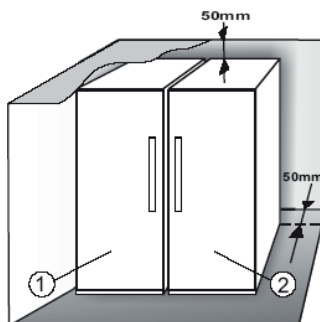
La distanza tra la parte posteriore dell'apparecchio e la parete dietro di esso deve essere di almeno 50 mm.

Uno spazio inferiore determinerà un maggiore consumo energetico dell'apparecchio.



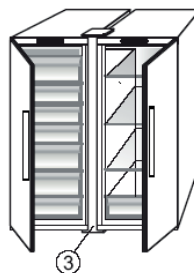
## 1.2. INSTALLAZIONE DI DUE APPARECCHI

Se si installano il congelatore ① e il frigorifero ② insieme, assicurarsi che il congelatore sia posizionato a sinistra e il frigorifero a destra (come mostrato in figura). Sul lato sinistro del frigorifero è presente un dispositivo speciale per evitare eventuali problemi dovuti alla formazione di condensa tra i due apparecchi.



Si consiglia di installare insieme i due apparecchi utilizzando il kit di collegamento ③ (come mostrato in figura).

Il kit è disponibile presso il Servizio Assistenza.

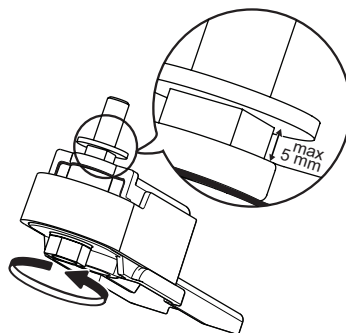


## 1.3. REGOLAZIONE DELLE PORTE (SE DISPONIBILE)

È possibile livellare le porte usando la cerniera inferiore regolabile (solo alcuni modelli)


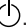
Se la porta del frigorifero è più bassa rispetto a quella del congelatore, sollevarla ruotando la vite di regolazione in senso antiorario con l'ausilio di una chiave M10.

Se la porta del congelatore è più bassa rispetto a quella del frigorifero, sollevarla ruotando la vite di regolazione in senso antiorario con l'ausilio di una chiave M10.




## 2. FUNZIONI


### 2.1. ON/STANDBY

Questa funzione consente di accendere o portare in standby il frigorifero. Per portare l'apparecchio in stand-by, premere il tasto On/Standby  per 3 secondi. Quando l'apparecchio è in stand-by, la luce all'interno del comparto frigorifero è spenta. Tenere presente che questa operazione non scollega l'apparecchio dall'alimentazione elettrica. Per accendere nuovamente l'apparecchio, è sufficiente premere il tasto On/Standby .

### 2.2. SMART DISPLAY\*

Questa funzione opzionale può essere usata per risparmiare energia. Attenersi alle istruzioni incluse nella Guida rapida introduttiva per attivare/disattivare questa funzione. Due secondi dopo l'attivazione della funzione Smart Display, il display si spegne. Per regolare la temperatura o utilizzare altre funzioni, è necessario attivare il display premendo un tasto qualsiasi.

Quando si attiva la funzione Smart Display, il display si spegne ad eccezione dell'indicatore "6 Sense Fresh Control" /  "ProFresh". Se la funzione Smart Display è attiva, per regolare la temperatura o usare altre funzioni è necessario attivare il display premendo un pulsante qualsiasi.

Dopo circa 15 secondi di inattività, il display si spegne di nuovo e rimane visibile solo la spia "6 Sense Fresh Control" /  "ProFresh". Quando la funzione è disattivata, viene ripristinato il display normale. Lo Smart Display viene automaticamente disabilitato dopo un guasto all'alimentazione elettrica. Ricordare che questa operazione non scollega l'apparecchio dall'alimentazione elettrica ma si limita a ridurre l'alimentazione consumata dal display esterno.

**Nota:** il consumo energetico dichiarato dell'apparecchio si riferisce al funzionamento con la funzione Smart Display attivata.

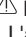

### 2.3. 6TH SENSE FRESH CONTROL /

#### PROFRESH

Questa funzione consente di raggiungere rapidamente le condizioni di conservazione ottimali (quanto a temperatura e umidità) all'interno dell'apparecchio. Perché funzioni correttamente, è necessario che anche la ventola sia attiva. La funzione "6th Sense Fresh Control" / "ProFresh" è attivata per impostazione predefinita. Per attivare o disattivare questa funzione, vedere la Guida rapida allegata.

In caso di interruzione della corrente elettrica, o se si passa dalla modalità Stand-by alla modalità normale, la funzione "6th Sense Fresh Control" / "ProFresh" torna ad attivarsi (impostazione predefinita).

### 2.4. ALLARME PORTA APERTA

L'icona Allarme  lampeggia e viene emesso un allarme acustico. L'allarme viene attivato quando la porta rimane aperta per oltre 2 minuti. Per spegnere l'allarme porta, chiudere la porta o premere una volta il pulsante Spegnimento allarme  per silenziare l'allarme acustico.

### 2.5. VACANZA

La funzione può essere attivata per ridurre il consumo di corrente dell'apparecchio durante un periodo di assenza.

Prima di attivare la funzione, rimuovere tutti gli alimenti deperibili dal comparto frigorifero e assicurarsi che la porta sia correttamente chiusa, dal momento che il frigorifero manterrà una temperatura adeguata per impedire la formazione di odori sgradevoli (+12°C). Per attivare/ disattivare, premere il tasto della modalità Vacanza per 3 secondi. Quando la funzione è attivata, il rispettivo simbolo si accende e la temperatura del comparto frigorifero viene impostata su un valore più elevato (il display temperatura mostrerà la nuova impostazione di temperatura di +12°C). Modificando il valore impostato di temperatura, la funzione verrà disattivata automaticamente.

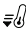
#### Attenzione:

- **Incompatibilità con la funzione "Raffreddamento rapido"**

Per garantire prestazioni ottimali, le funzioni "Vacanza" e "Raffreddamento rapido" non possono essere attivate contemporaneamente. Di conseguenza, se è già stata attivata la funzione "Raffreddamento rapido", disattivarla prima di attivare la funzione "Vacanza" (e viceversa).

### 2.6. RAFFREDDAMENTO RAPIDO

**L'utilizzo di questa funzione è raccomandato qualora si collochi all'interno del comparto frigorifero una grande quantità di alimenti.**

La funzione di Raffreddamento rapido  consente di aumentare la capacità di raffreddamento nel comparto frigorifero. Per ottimizzare la capacità di raffreddamento, tenere acceso l'interruttore della ventola.

#### Attenzione:

- **Incompatibilità con la funzione "Vacanza"**

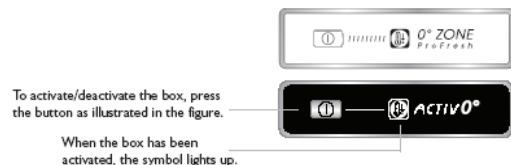
Per garantire prestazioni ottimali, le funzioni "Vacanza" e "Raffreddamento rapido" non possono essere attivate contemporaneamente. Di conseguenza, se è già stata attivata la funzione "Vacanza", disattivarla prima di attivare la funzione "Raffreddamento rapido" (e viceversa).

\*Disponibile solo su modelli selezionati. Consultare la GUIDA RAPIDA INTRODUTTIVA per verificare se la funzione è attualmente disponibile sul modello acquistato.

## 2.7. CASSETTO ZERO GRADI\*

Il Cassetto Zero gradi\* è specificamente progettato per fornire una bassa temperatura e un livello adeguato di umidità al fine di mantenere freschi più a lungo alimenti quali carne, pesce, frutta e verdure invernali.

### Attivazione e disattivazione del contenitore



La temperatura all'interno del contenitore, quando è attivo, è di circa 0°. I seguenti fattori sono fondamentali per assicurare il corretto funzionamento del contenitore del Cassetto Zero gradi:

- il comparto frigorifero deve essere acceso
  - la temperatura del comparto frigorifero deve essere compresa tra +2°C e +5°C
  - per consentire l'attivazione, il contenitore deve essere inserito
  - non deve essere selezionata alcuna funzione speciale (Standby, Vacanza – se disponibili).
- Se è stata selezionata una di queste funzioni speciali, il contenitore del Cassetto Zero gradi deve essere disattivato manualmente ed è necessario rimuovere i cibi eventualmente al suo interno. Se non viene eseguita la disattivazione manuale, il contenitore viene disattivato automaticamente dopo 8 ore.

### Nota:

- se il simbolo non si illumina all'attivazione del comparto, verificare che il cassetto sia correttamente inserito; se il problema persiste, contattare il Servizio Assistenza Tecnica autorizzato
- se la funzione è attiva e il cassetto è aperto, il simbolo sul pannello comandi può disattivarsi automaticamente. Se il cassetto è inserito, il simbolo diventa nuovamente attivo
- indipendentemente dallo stato della funzione, è possibile avvertire una leggera rumorosità: ciò è normale e non deve essere causa di preoccupazione.
- quando la funzione non è attiva, la temperatura nel cassetto dipende dalla temperatura generale all'interno del frigorifero.

In questo caso, si consiglia di utilizzarlo per conservare frutta e verdura che non risentono delle basse temperature (frutti di bosco, mele, albicocche, carote, spinaci, lattuga e così via).

**Importante:** in caso di funzione attivata e presenza di cibi con elevato contenuto d'acqua, potrebbe formarsi della condensa sui ripiani. In questo caso, disattivare temporaneamente la funzione.

## 2.8. VENTOLA

La ventola migliora la distribuzione della temperatura all'interno del prodotto, migliorando di conseguenza la conservazione degli alimenti. La ventola è preimpostata come ATTIVA. È consigliabile mantenere la ventola accesa per garantire che la funzione 6th Sense Fresh Control / ProFresh operi correttamente; lasciarla inoltre attiva quando la temperatura ambiente è superiore a 27 ÷ 28°C, quando si notano gocce d'acqua sui ripiani in vetro o in condizioni di forte umidità. Tenere presente che quando è attivata, la ventola non funziona continuamente. La ventola si attiva/si arresta in base alla temperatura e/o al livello di umidità all'interno dell'apparecchio. È pertanto assolutamente normale se la ventola è ferma anche quando è stata attivata.

Per attivare o disattivare questa funzione, vedere la Guida rapida introduttiva allegata.

**Attenzione:** se si spegne la ventola, la funzione 6th Sense Fresh Control / ProFresh verrà disattivata.

### Nota:

#### Non ostruire la zona di aerazione con alimenti.

Spegnere la ventola per garantire il corretto funzionamento dell'apparecchio a temperature ambiente basse (meno di 18°C) e ottimizzare i consumi energetici.

Per spegnere la ventola, fare riferimento alla procedura sopra indicata.

Se presente nell'apparecchio, la ventola può essere dotata di **filtro antibatterico**.

Rimuoverlo dal contenitore che si trova nel cassetto frutta e verdura e inserirlo nel coperchio della ventola.

Le istruzioni per la sostituzione sono incluse nella scatola del filtro.

## 2.9. IMPOSTAZIONE DELLA TEMPERATURA

L'apparecchio è normalmente predisposto in fabbrica per il funzionamento alla temperatura consigliata 5°C. La temperatura interna può essere regolata fra 8°C e 2°C, agendo nel modo seguente:

- Premere il tasto di impostazione della temperatura (°C). La temperatura di conservazione può essere modificata di -1°C a ogni pressione del tasto: il valore varia ciclicamente tra 8°C e 2°C.

**Nota:** le impostazioni visualizzate corrispondono alla temperatura media in tutto il frigorifero.

## 2.10. COMPARTO FRIGORIFERO NO-FROST

Lo sbrinamento nel comparto del frigorifero è completamente automatico.

La presenza di goccioline d'acqua sulla parete posteriore interna del comparto frigorifero indica che è in atto la fase di sbrinamento automatico. L'acqua di sbrinamento scorre automaticamente in un foro di scarico e da lì in un contenitore dove evapora.

\*Disponibile solo su modelli selezionati. Consultare la GUIDA RAPIDA INTRODUTTIVA per verificare se la funzione è attualmente disponibile sul modello acquistato.

## 2.11. SISTEMA DI ILLUMINAZIONE A LED\*

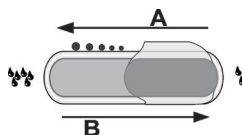
Il sistema di illuminazione all'interno del comparto frigorifero utilizza una luce LED, che garantisce al contempo un'illuminazione più efficace e un ridotto consumo energetico. Se il sistema di illuminazione a LED non funziona, rivolgersi al Servizio Assistenza per la sostituzione.

### Importante:

la luce del comparto frigorifero si accende quando si apre la porta del frigorifero. Se la porta viene tenuta aperta per più di 10 minuti, la luce si spegne automaticamente.

## 2.12. CASSETTO A UMIDITÀ CONTROLLATA\*

I cassetti a umidità controllata del frigorifero offrono condizioni ottimali per la conservazione di frutta e verdura. Il regolatore di umidità può essere aperto (posizione B) per ridurre il grado di umidità e favorire così la conservazione della frutta, oppure chiuso (posizione A) per creare condizioni più umide per la verdura.



# 3. IMPIEGO CONSIGLIATO

## 3.1. AUMENTO DELLA CAPACITÀ DI CONSERVAZIONE DEL FRIGORIFERO

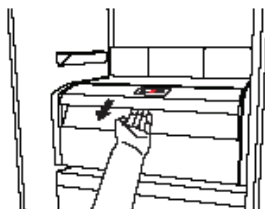
Per aumentare la capacità di conservazione è possibile rimuovere il "CASSETTO ZERO GRADI"

In questo caso, procedere come segue:

- spegnere il contenitore
- estrarre il cassetto e il ripiano bianco in plastica sotto al contenitore.

**Nota:** non è possibile rimuovere il ripiano superiore e il

supporto laterale. Per riattivare il funzionamento del "Cassetto Zero gradi", assicurarsi di riposizionare il ripiano in plastica bianco sotto il contenitore, prima di inserire il cassetto e riattivare la funzione. Per ottimizzare il consumo di energia, si consiglia di disattivare il "Cassetto Zero gradi" e di rimuoverlo.



## 3.2. NOTE:

- Non ostruire la zona di uscita dell'aria (sulla parete posteriore interna dell'apparecchio) con gli alimenti.
- Se il congelatore è provvisto di un divisorio, è possibile rimuoverlo per sfruttare al massimo il volume di conservazione.
- Tutti i ripiani, gli sportelli e i cestelli sono estraibili.
- Le temperature interne dell'apparecchio dipendono dalla temperatura ambiente, dalla frequenza di apertura delle porte e dal punto in cui è collocato l'apparecchio. Questi fattori devono essere presi in considerazione quando si imposta il termostato.
- Se non diversamente indicato, gli accessori dell'apparecchio non sono adatti al lavaggio in lavastoviglie.
- Utilizzare la funzione Smart Display quanto più spesso possibile.

# 4. CONSIGLI SULLA CONSERVAZIONE DEGLI ALIMENTI

Il frigorifero è il posto ideale per conservare pasti pronti, alimenti freschi e conserve alimentari, latticini, frutta e verdura e bevande.

## 4.1. VENTILAZIONE

- La circolazione naturale dell'aria nel comparto frigorifero crea zone con temperature diverse. La zona più fredda è quella direttamente sopra il cassetto frutta e verdura e in corrispondenza della parete posteriore. Più calda nella parte alta anteriore del comparto.
- Una ventilazione insufficiente determina un aumento del consumo energetico e una riduzione delle prestazioni del frigorifero.

## 4.2. MODALITÀ DI CONSERVAZIONE DI ALIMENTI FRESCHI E BEVANDE

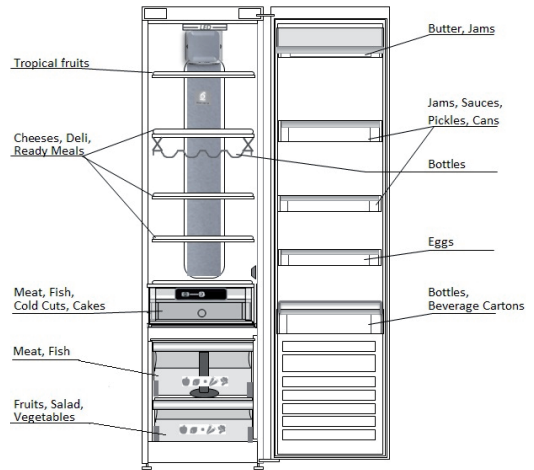
- Utilizzare contenitori di metallo, alluminio, vetro e plastica riciclabile e avvolgere gli alimenti con una pellicola trasparente.
- Utilizzare sempre contenitori chiusi per i liquidi e per gli alimenti che potrebbero emettere o coprire gli odori oppure essere contaminati da odori o aromi.
- Gli alimenti che emanano grandi quantità di etilene o che sono sensibili a questo gas, come frutta, verdura e insalate, dovrebbero essere separati o avvolti per favorirne una conservazione più lunga; ad esempio, non conservare i pomodori insieme a cavoli o kiwi.
- Non disporre gli alimenti a distanza troppo ravvicinata, in modo da consentire una sufficiente circolazione dell'aria.
- Per evitare la caduta delle bottiglie, usare l'apposito accessorio di tenuta (solo alcuni modelli).
- Nel caso di ridotte quantità di alimenti da conservare nel comparto frigorifero, si consiglia di utilizzare i ripiani sopra il cassetto frutta e verdura, in quanto è la zona più fredda del comparto.

\*Disponibile solo su modelli selezionati. Consultare la GUIDA RAPIDA INTRODUTTIVA per verificare se la funzione è attualmente disponibile sul modello acquistato.

#### 4.3. DOVE CONSERVARE ALIMENTI FRESCI E BEVANDE

- Sui ripiani del frigorifero: piatti pronti, frutti tropicali, formaggi, golosità.
- Nella zona più fredda – Cassetto Zero gradi\* (sopra il comparto refrigerante): carne, pesce, salumi, torte.
- Nel cassetto per frutta e verdura: frutta, insalata, verdura.
- Nella porta: burro, conserve, salse, sottaceti, lattine, bottiglie, cartoni di bevande, uova.

#### ESEMPIO DI SISTEMAZIONE DEGLI ALIMENTI



### 5. SEGNALI ACUSTICI FUNZIONALI

I segnali acustici provenienti dall'apparecchio sono normali perché il prodotto contiene una serie di ventole e motorini per regolare prestazioni che si attivano e disattivano in modo automatico.

- Controllando che i componenti interni siano posizionati correttamente.
- Controllando che le bottiglie e i contenitori non siano a contatto.

È possibile ridurre alcuni rumori di funzionamento

- Livellando l'apparecchio e installandolo su una superficie piana.
- Distanziando ed evitando il contatto tra apparecchio e mobilio.

Di seguito sono riportati alcuni dei rumori di funzionamento possibili:

Un sibilo alla prima accensione dell'apparecchio o dopo un lungo periodo di inutilizzo.



Un gorgoglio quando il liquido refrigerante penetra nei tubi.



Un suono tipo "BRRR" dovuto al funzionamento del compressore.



Un brusio quando si attivano la valvola dell'acqua o la ventola.



Uno scricchiolio all'avvio del compressore o quando il ghiaccio pronto cade nella scatola del ghiaccio oppure scatti improvvisi all'accensione o allo spegnimento del compressore.



Il CLIC è dovuto al termostato che regola il funzionamento del compressore.



\*Disponibile solo su modelli selezionati. Consultare la GUIDA RAPIDA INTRODUTTIVA per verificare se la funzione è attualmente disponibile sul modello acquistato.

## 6. RACCOMANDAZIONE IN CASO DI NON UTILIZZO DELL'APPARECCHIO

### 6.1. ASSENZA / VACANZA

Prima di andare in vacanza, si consiglia di consumare tutti gli alimenti e scollegare l'apparecchio per non consumare corrente.

### 6.2. SPOSTAMENTO

1. Estrarre tutte le parti interne.
2. Coprirle bene e legarle insieme con nastro adesivo in modo da non smarrirle o farle urtare tra loro.
3. Avvitare i piedini regolabili in modo che non tocchino la superficie di supporto.
4. Chiudere e fissare la porta con del nastro adesivo e, con questo, fissare anche il cavo di alimentazione sull'apparecchio.

### 6.3. GUASTO DELL'ALIMENTAZIONE ELETTRICA

In caso di guasto dell'alimentazione elettrica, contattare l'ufficio dell'azienda di fornitura elettrica e chiedere informazioni sulla durata dell'interruzione.

**Nota:** Non dimenticare che un apparecchio pieno rimarrà freddo più a lungo di uno riempito parzialmente.

Gettare gli alimenti se in condizioni non soddisfacenti.

#### In caso di interruzioni di corrente di durata fino a 24 ore.

1. Mantenere chiusa la porta dell'apparecchio. In tal modo gli alimenti riposti al suo interno resteranno freddi il più a lungo possibile.

#### In caso di interruzioni di corrente di durata superiore alle 24 ore.

1. Cercare di consumare gli alimenti che sono più facilmente deperibili.

## 7. MANUTENZIONE E PULIZIA

Prima di qualsiasi operazione di pulizia o manutenzione, staccare l'apparecchio dalla presa di alimentazione o scollegare l'alimentazione elettrica.

Pulire periodicamente l'apparecchio utilizzando un panno ed una soluzione di acqua tiepida e detersivi neutri specifici per la pulizia interna del frigorifero. Mai utilizzare abrasivi. Non pulire i componenti del frigorifero con liquidi infiammabili. I vapori possono costituire un rischio di incendio o di esplosione. Pulire l'esterno dell'apparecchio e la guarnizione delle porte con un panno umido e asciugare con un panno morbido.

Non utilizzare pulitrici a getto di vapore.

Il condensatore nella parte posteriore dell'apparecchio deve essere pulito regolarmente utilizzando un aspirapolvere.

Il condensatore nella parte posteriore dell'apparecchio deve essere pulito regolarmente utilizzando un aspirapolvere.

#### Importante:

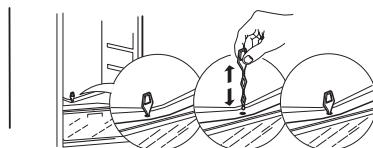
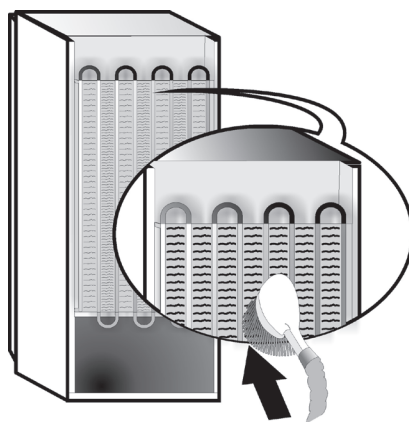
- Non pulire i tasti e il display del pannello comandi con alcol o sostanze derivate; pulire con un panno asciutto.
- I tubi del sistema di refrigerazione sono ubicati vicino alla vaschetta di sbrinamento ed è possibile che diventino molto caldi. Pulirli periodicamente con un aspirapolvere.

Per garantire il deflusso costante e corretto dell'acqua di sbrinamento, pulire regolarmente l'interno del foro di scarico situato sulla parete posteriore del comparto frigorifero in prossimità del cassetto frutta e verdura, utilizzando l'utensile in dotazione.

#### Prima di pulire il Cassetto Zero gradi (inclusa la superficie esterna), rimuovere il cassetto in maniera da scollegare il contenitore dall'alimentazione elettrica.

Pulire regolarmente il contenitore e tutte le sue parti, utilizzando un panno e una soluzione di acqua calda e detersivo neutro specificamente formulato per l'interno dei frigoriferi (fare attenzione a non immergere nell'acqua il ripiano in plastica bianco sotto il contenitore).

Non usare mai detersivi abrasivi.



\*Disponibile solo su modelli selezionati. Consultare la GUIDA RAPIDA INTRODUTTIVA per verificare se la funzione è attualmente disponibile sul modello acquistato.


## 8. GUIDA ALLA RICERCA GUASTI




### 8.1. PRIMA DI CONTATTARE IL SERVIZIO ASSISTENZA...

I problemi legati alle prestazioni spesso sono il risultato di cause facilmente individuabili e risolvibili senza l'uso di alcun attrezzo.

PROBLEMA	SOLUZIONE
<b>L'apparecchio non funziona:</b>	<ul style="list-style-type: none"> <li>La spina del cavo di alimentazione elettrica è inserita in una presa con il giusto voltaggio?</li> <li>Le protezioni e i fusibili dell'impianto elettrico domestico funzionano correttamente?</li> </ul>
<b>Se nella vaschetta di sbrinamento è presente acqua:</b>	<ul style="list-style-type: none"> <li>È normale quando il clima è caldo e umido. La vaschetta potrebbe essere piena anche per metà. Verificare che l'apparecchio sia posizionato in piano in modo da evitare che l'acqua fuoriesca.</li> </ul>
<b>Se i bordi del mobile dell'apparecchio a contatto con la guarnizione della porta risultano caldi:</b>	<ul style="list-style-type: none"> <li>È normale quando il clima è caldo e quando il compressore è in funzione.</li> </ul>
<b>Se la luce non funziona:</b>	<ul style="list-style-type: none"> <li>Le protezioni e i fusibili dell'impianto elettrico domestico funzionano correttamente?</li> <li>La spina del cavo di alimentazione elettrica è inserita in una presa con il giusto voltaggio?</li> <li>Se i LED sono guasti, contattare il Servizio Assistenza per sostituirli con ricambi dello stesso tipo, disponibili presso i centri di assistenza o i rivenditori autorizzati.</li> </ul>
<b>Se il motore sembra girare troppo a lungo:</b>	<ul style="list-style-type: none"> <li>I tempi di funzionamento del motore dipendono da diversi fattori: frequenza di apertura della porta, quantità di alimenti riposti, temperatura della stanza, impostazione dei controlli della temperatura.</li> <li>Il condensatore (sul retro dell'apparecchio) è coperto da polvere o lanugine?</li> <li>La porta è chiusa correttamente?</li> <li>Le guarnizioni delle porte sono in perfette condizioni?</li> <li>Se il clima è caldo o il locale è riscaldato, è normale che il motore funzioni più a lungo.</li> <li>Se la porta è rimasta aperta a lungo o sono state inserite grandi quantità di alimenti, il motore rimane in funzione più a lungo per raffreddare l'interno dell'apparecchio.</li> </ul>
<b>Se la temperatura dell'apparecchio è troppo alta:</b>	<ul style="list-style-type: none"> <li>I comandi del frigorifero sono regolati correttamente?</li> <li>Sono state introdotte grandi quantità di alimenti nell'apparecchio?</li> <li>Controllare che la porta non venga aperta troppo spesso.</li> <li>Controllare che la porta chiuda correttamente.</li> </ul>
<b>Se le porte non si aprono e chiudono correttamente:</b>	<ul style="list-style-type: none"> <li>Verificare che non vi siano confezioni di alimenti che bloccano la porta.</li> <li>Verificare che le vaschette, le mensole, i cassetti o il produttore automatico di ghiaccio siano posizionati scorrettamente.</li> <li>Verificare che le guarnizioni delle porte non siano sporche o appiccicose.</li> <li>Accertarsi che l'apparecchio sia ben livellato.</li> </ul>

### 8.2. GUASTI

In caso di allarmi di funzionamento, i guasti vengono mostrati anche sul display digitale a LED, (ad es. Failure1, Failure 2, ecc.). Contattare il Servizio Assistenza e indicare il codice di allarme. Si attiva l'allarme acustico, si accende l'icona Allarme  e sul display digitale lampeggia la lettera "F" in base ai codici errore descritti di seguito:

Codice di errore	Visualizzazione
Errore 2	La lettera "F" lampeggia 2 volte a intervalli di 0,5 secondi e resta spenta per 5 secondi. Il ciclo si ripete.  x2
Errore 3	La lettera "F" lampeggia 3 volte a intervalli di 0,5 secondi e quindi resta spenta per 5 secondi. Il ciclo si ripete.  x3
Errore 6	La lettera "F" lampeggia 6 volte a intervalli di 0,5 secondi e quindi resta spenta per 5 secondi. Il ciclo si ripete.  x6

\*Disponibile solo su modelli selezionati. Consultare la GUIDA RAPIDA INTRODUTTIVA per verificare se la funzione è attualmente disponibile sul modello acquistato.

## 9. SERVIZIO ASSISTENZA

### Prima di contattare il Servizio Assistenza:

Riaccendere l'apparecchio per assicurarsi che il problema sia stato risolto. Se il problema persiste, scollegare nuovamente l'apparecchio dall'alimentazione e ripetere l'operazione dopo un'ora circa.

Se dopo aver eseguito i controlli elencati nella "Guida ricerca guasti" e riaccesso il frigorifero, l'apparecchio continua a non funzionare correttamente, contattare il Servizio Assistenza illustrando il problema.

### Comunicare:

- il modello e il numero di serie dell'apparecchio (riportato sulla targhetta matricola),
- il tipo di guasto,

**SERVICE** 0000 000 00000



- il codice di assistenza (il numero che si trova dopo la parola **SERVICE**, sulla targhetta matricola posta all'interno dell'apparecchio),
- il proprio indirizzo completo,
- il proprio numero telefonico, completo di prefisso.

### Nota:

La direzione di apertura della porta può essere modificata. Se questa operazione è eseguita dal Servizio Assistenza non è coperta da garanzia.



# STIKKORDREGISTER

Kapittel 1: <b>MONTERING</b> .....	58
1.1. MONTERE ETT ENKELT APPARAT.....	58
1.2. MONTERE TO APPARATER.....	58
1.3. JUSTER DØRER (HVIS TILGJENGELIG) .....	58
Kapittel 2: <b>FUNKSJONER</b> .....	59
2.1. ON/STAND BY.....	59
2.2. SMART DISPLAY*.....	59
2.3. 6TH SENSE FRESH CONTROL / PROFRESH.....	59
2.4. ALARM FOR ÅPEN DØR.....	59
2.5. FERIE .....	59
2.6. HURTIG NEDKJØLING .....	59
2.7. NULLGRADERSSKUFFEN* .....	60
2.8. VIFTE.....	60
2.9. TEMPERATURINNSTILLING.....	60
2.10. FROSTFRITT KJØLESEKSJON .....	60
2.11. LED-LYSSYSTEM* .....	61
2.12. FUKTIGHETSKONTROLLERT SKUFF*.....	61
Kapittel 3: <b>BRUK</b> .....	61
3.1. ØKE KJØLESKAPETS OPPBEVARINGSKAPASITET .....	61
3.2. MERKNADER .....	61
Kapittel 4: <b>TIPS FOR OPPBEVARING AV MATVARER</b> .....	61
4.1. VENTILERING.....	61
4.2. SLIK OPPBEVARER DU FERSKMAT OG DRIKKEVARER.....	61
4.3. HVOR DU BØR OPPBEVARE FERSKMAT OG DRIKKEVARER.....	62
Kapittel 5: <b>FUNKSJONSLYDER</b> .....	62
Kapittel 6: <b>ANBEFALING HVIS APPARATET IKKE ER I BRUK</b> .....	63
6.1. FRAVÆR/FERIE.....	63
6.2. FLYTTE.....	63
6.3. STRØMBRUDD.....	63
Kapittel 7: <b>RENGJØRING OG VEDLIKEHOLD</b> .....	63
Kapittel 8: <b>FEILSØKINGSLISTE</b> .....	64
8.1. FØR DU KONTAKTER SERVICEAVDELINGEN... ..	64
8.2. DRIFTSFORSTYRRELSER .....	64
Kapittel 9: <b>KUNDESERVICE</b> .....	65
Andre:	
OMHENGSLING AV DØR (VERSJON 1).....	75
OMHENGSLING AV DØR (VERSJON 2).....	77

## MERK:

Instruksene gjelder flere modeller, så det kan være forskjeller. Deler som gjelder kun visse apparater er merket med en asterisk (\*).

Funksjoner som gjelder spesielt for den modellen av produktet du allerede har kjøpt, finner du i HURTIGSTART-VEILEDNINGEN.

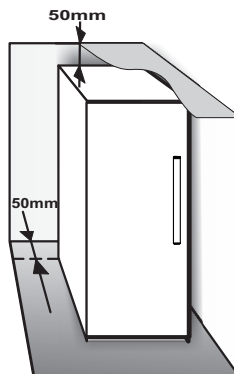
# 1. MONTERING

## 1.1. MONTERE ETT ENKELT APPARAT

For å sikre tilstrekkelig ventilasjon må du la det være rom på begge sider og over apparatet.

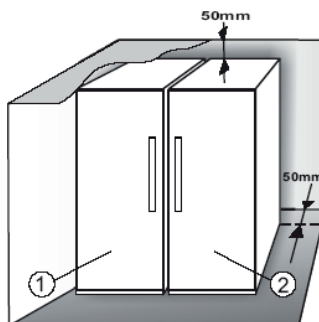
Avstanden mellom baksiden av apparatet og veggen bør være minst 50 mm.

Er avstanden kortere, økes apparatets energiforbruk.



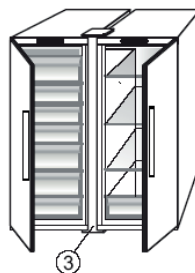
## 1.2. MONTERE TO APPARATER

Ved installasjon av fryseren ① og kjøleskapet ② sammen, må du sørge for at fryseren står til venstre og kjøleskapet til høyre (som vist i tegningen). Venstre side av kjøleskapet er utstyrt med en spesialanordning som forhindrer kondensproblemer mellom apparater.



Vi anbefaler å installere to apparat sammen ved å bruke sammenkoplingspakken ③ (som vist på tegningen).

Du kan kjøpe den fra serviceavdelingen.

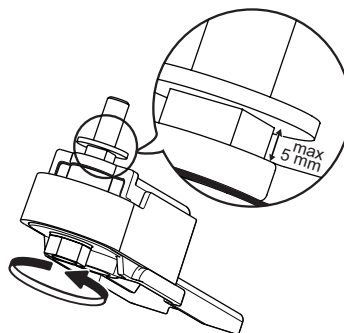


## 1.3. JUSTER DØRER (HVIS TILGJENGELIG)

Justering av dørene ved hjelp av det nedre regulerbare hengslet (velg modeller)



Dersom kjøleskapsdøren er lavere enn døren til fryseren, hev kjøleskapsdøren ved å vri justeringsskruen mot urviseren ved å benytte en M10 skrunøkkel.

Dersom døren til fryseren er lavere enn kjøleskapsdøren, hev døren til fryseren ved å vri justeringsskruen med urviseren ved å benytte en M10 skrunøkkel.





## 2. FUNKSJONER

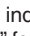
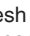
### 2.1. ON/STAND BY

Denne funksjonen slår på kjøleskapet eller setter det på standby. For å sette produktet i Stand-by, trykk & hold inne On/Stand-by knappen  i 3 sekunder. Når apparatet står på standby, fungerer ikke lyset inne i kjøleseksjonen. Husk at denne operasjonen ikke kobler apparatet fra strømmettet. For å slå apparatet på igjen trykker du bare på On/Stand-by-knappen .

### 2.2. SMART DISPLAY\*

Denne tilleggsfunksjonen kan brukes til å spare energi. Følg instruksene i hurtigstartveiledningen for å aktivere/deaktivere funksjonen. Smartdisplayet slukkes av sekunder etter aktivering. Hvis du vil justere temperaturen eller bruke andre funksjoner, er det nødvendig å aktivere displayet ved å trykke på en knapp.

Etter at Smart Display er aktivert, slukkes display, med unntak av indikatoren  Sense Fresh Control" /  "ProFresh". Hvis smartdisplayet er aktivt - hvis du vil justere temperaturen eller bruke andre funksjoner, er det nødvendig å aktivere displayet ved å trykke på en knapp.

Omtrent 15 sekunder uten noen handling slukkes displayet igjen og bare indikatoren  Sense Fresh Control" /  "ProFresh" forblir synlig. Når funksjonen deaktiveres, gjenopprettes det normale displayet. Smartdisplayet deaktiveres automatisk etter et strøbrudd. Husk at denne funksjonen ikke kobler apparatet fra strømforsyningen, men bare reduserer strømforbruket for det utvendige displayet.

**Merk:** Apparatets erklærte energiforbruk henviser til bruk med Smartdisplayfunksjonen aktivert.

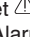

### 2.3. 6TH SENSE FRESH CONTROL /

#### PROFRESH

Med denne funksjonen oppnår man hurtigere korrekte oppbevaringsforhold (med hensyn til temperatur og fuktighet) inne i apparatet. For at den skal fungere korrekt må også viften være aktivert. "6th Sense Fresh Control" / "ProFresh" aktiveres som standard. For å aktivere eller deaktivere denne funksjonen – se vedlagt Hurtigstartveiledning.

Etter et strøbrudd eller dersom en går fra stand-by til normal modus, tilbakestilles status for "6th Sense Fresh Control" / "ProFresh" til standard, dvs. aktiv.

### 2.4. ALARM FOR ÅPEN DØR

Alarmikonet  begynner å blinke og lydalarmen aktiveres. Alarmen aktiveres når døren blir stående åpen i mer enn 2 minutter. Lukk døren for å deaktivere døralarmen, eller trykk én gang på Stop Alarm-knappen  for å dempe lydalarmen.

### 2.5. FERIE

Denne funksjonen kan aktiveres for å redusere energiforbruket til maskinen i en fraværperiode. Før funksjonen aktiveres må all lett fordervelig mat fjernes fra kjøleskapsseksjonen. Pass på at døren er ordentlig igjen ettersom kjøleskapet vil holde en passende temperatur for å unngå at det oppstår ubehagelig lukt (+12 °C).

Aktiver/deaktiver ved å trykke på ferieknappen i tre sekunder. Når funksjonen er aktivert, lyser det aktuelle symbolet, og temperaturen i kjøleskapsseksjonen får et høyere settpunkt (temperaturvisningen viser det nye settpunktet på +12 °C).

Når settpunktet for temperaturen endres, deaktiveres denne funksjonen automatisk.

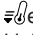
#### Advarsel:

- **Ikke kompatibel med funksjonen for "Hurtig nedkjøling"**

For å garantere optimal ytelse kan ikke "ferie"- og "Hurtig nedkjøling"-funksjonene brukes samtidig. Hvis "Hurtig nedkjøling"-funksjonen allerede er aktivert, må den deaktiveres før man kan aktivere "ferie"-funksjonen (og omvendt).

### 2.6. HURTIG NEDKJØLING

**Denne funksjonen anbefales når en stor mengde matvarer legges inn i kjøleseksjonen.**

Ved å benytte funksjonen for Hurtig nedkjøling  er det mulig å øke nedkjølingskapasiteten i kjøleskapsseksjonen. La viftebryteren stå på for å maksimere kjølekapasiteten.

#### Advarsel:

- **Ikke kompatibel med "Ferie" funksjonen**

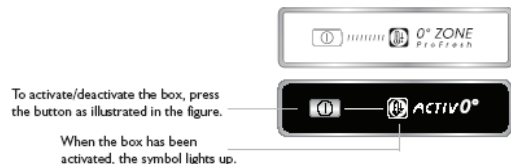
For å garantere optimal ytelse kan ikke "Ferie"- og "Hurtig nedkjøling"-funksjonene brukes samtidig. Hvis "Ferie"-funksjonen allerede er aktivert, må den deaktiveres før man kan aktivere "Hurtig nedkjøling"-funksjonen (og omvendt).

\*Kun tilgjengelig på utvalgte modeller. Se i HURTIGSTARTVEILEDNINGEN om denne funksjonen faktisk er tilgjengelig på din modell.

## 2.7. NULLGRADERSSKUFFEN\*

Nullgradersskuffen er spesielt konstruert for å opprettholde en lav temperatur og egnet fuktighet for å holde mat ferskere lenger (for eksempel kjøtt, fisk, frukt og vintergrønnsaker).

### Aktivere og deaktivere boksen



Temperaturen inne i boksen, når den er aktiv, er ca. 0 °. Følgende faktorer er viktige for at "nullgraders"-boksen skal fungere som den skal:

- kjøleseksjonen må være slått på
- temperaturen i kjøleskapet må være mellom +2 °C og +5 °C
- boksen må være satt inn for å muliggjøre aktivering
- ingen spesialfunksjoner kan være valgt (standby, ferie – etter hva som er aktuelt).

Hvis noen av disse spesialfunksjonene er valgt, må "nullgraders"-boksen deaktiveres manuelt, og eventuell fersk mat i den fjernes. Hvis manuell deaktivering ikke skjer, deaktiveres boksen automatisk etter 8 timer.

### Merk:

- dersom symbolet ikke tennes når funksjonen aktiveres, kontroller om skuffen er satt riktig inn; dersom problemet vedvarer, kontakt serviceavdelingen
- hvis funksjonen er aktiv og skuffen er åpen, kan det hende at symbolet på kontrollpanelet automatisk deaktiveres. Hvis skuffen er satt inn, blir symbolet aktivt igjen
- uavhengig av tilstanden til funksjonen, kan en høre en svak lyd: dette er normalt og det er ingen grunn til å bekymre seg.
- når funksjonen ikke er aktiv, er temperaturen i skuffen avhengig av den generelle temperaturen i kjøleskapet. I dette tilfellet anbefaler vi at den brukes til å oppbevare frukt og grønnsaker som ikke er følsomme for kald temperatur (skogfrukter, epler, aprikoser, gulrøtter, spinat, salat osv.).

**Viktig:** Når funksjonen er aktivert og med matvarer med høyt vanninnhold i seksjonen, kan det danne seg kondens på hyllene. I så fall kan du midlertidig deaktivere funksjonen.

## 2.8. VIFTE

Viften forbedrer temperaturfordelingen inne i produktet, slik at maten bevares bedre. Som standard er viften slått på. Vi anbefaler å ha viften på, slik at 6th Sense Fresh Control/ProFresh-funksjonen kan fungere ordentlig og dessuten når omgivelsestemperaturen er høyere enn 27–28 °C, eller hvis du observerer vannråper på glasshyllene eller hvis luftfuktigheten er svært høy. Merk at selv om viften er på, vil den ikke være i drift kontinuerlig. Viften starter/slutter å gå avhengig av temperaturen og/eller fuktighetsnivået inne i produktet. Derfor er det absolutt normalt hvis viften ikke går selv om den er slått på.

Du finner hvordan du aktiverer eller deaktiverer denne funksjonen i den vedlagte hurtigstartveiledningen.

**Obs::** Hvis du slår av viften, deaktiveres 6th Sense Fresh Control / ProFresh-funksjonen.

### Merk:

#### Ikke blokker luftinntaket med matvarer.

Det anbefales å slå av viften for redusere strømforbruket og for å sikre høy ytelse ved lav omgivelsestemperatur (lavere enn 18 °C). Se fremgangsmåten ovenfor for hvordan du slår av viften.

Dersom apparatet har denne viften, kan det utstyres med **antibakterielt filter**.

Ta det ut av boksen i grønnsaksskuffen, og sett det inn i viftedekselet.

Fremgangsmåten for skifte av filter står på filterboks.

## 2.9. TEMPERATURINNSTILLING

Apparatet er normalt stilt inn på fabrikken for bruke på den anbefalte temperaturen, som er 5 °C. Den innvendige temperaturen kan justeres mellom 8 °C og 2 °C. Fremgangsmåten er som følger:

- Trykk på knappen for innstilling av temperatur (°C). Oppbevaringstemperaturen kan endres med -1 °C med hvert trykk på knappen: verdien går i syklus mellom 8 °C og 2 °C.

**Merk:** Viste settpunkter tilsvare

gjennomsnittstemperaturen i hele kjøleskapet.

## 2.10. FROSTFRITT KJØLESEKSJON

Avriming av kjøleseksjonen skjer automatisk.

Vanndråper på bakveggen inne i kjøleseksjonen

viser at den automatiske avrimingsfasen pågår.

Smeltevannet renner ned gjennom et dreneringshull og samles deretter opp i en beholder, der det fordampes.

\*Kun tilgjengelig på utvalgte modeller. Se i HURTIGSTARTVEILEDNINGEN om denne funksjonen faktisk er tilgjengelig på din modell.

## 2.11. LED-LYSSYSTEM\*

Lyssystemet inne i kjøleseksjonen bruker diodelamper, noe som både gir bedre belysning og meget lavt energiforbruk. Hvis diodelyssystemet ikke virker, må du kontakte serviceavdelingen for å få det skiftet.

### Viktig:

Lyset i kjøleseksjonen tennes når døren åpnes. Hvis døren holdes åpen i mer enn 10 minutter, slås lyset automatisk av.

## 3. BRUK

### 3.1. ØKE KJØLESKAPETS OPPBEVARINGSKAPASITET

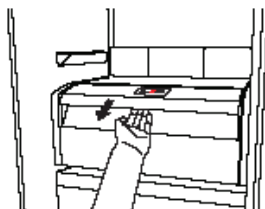
Du kan øke oppbevaringskapasiteten ved å fjerne "NULLGRADERSSKUFFEN"

I så fall går du frem som følger:

- slå av boksen
- trekk ut skuffen og den hvite plasthyllen under boksen.

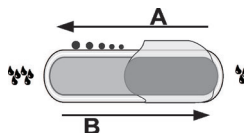
**Merk:** Det er ikke mulig å fjerne den øvre hyllen og

sidestøtten. Når du skal gjenopprette bruk av "nullgradersskuffen", må du sette tilbake den hvite plasthyllen under boksen før du setter inn skuffen og reaktiverer funksjonen. Hvis du vil optimere energiforbruket, anbefaler vi at du deaktiverer "nullgradersskuffen" og fjerner den.



## 2.12. FUKTIGHETSKONTROLLERT SKUFF\*

Salatskuffen som befinner seg inne i kjøleskapet er spesielt utformet for å holde frukt og grønnsaker friske og sprø. Åpne anordningen for regulering av fuktighet (posisjon B) dersom du ønsker å oppbevare maten i omgivelser med mindre fuktighet, som frukt, eller lukk den (posisjon A) for å oppbevare mat i fuktigere omgivelser som grønnsaker.



### 3.2. MERKNADER

- Du må ikke blokkere området rundt luftavløpet (på bakveggen inne i produktet) med matvarer.
- Hvis fryseren er utstyrt med en klaff, er det mulig å maksimere oppbevaringsvolumet ved å fjerne klaffen.
- Alle hyller, klaffer og uttrekkskurver kan fjernes.
- Den innvendige temperaturen i fryseren kan påvirkes av romtemperaturen, hyppig døråpning, samt fryserens plassering. Temperaturreguleringen bør ta disse faktorene med i betraktning.
- Med mindre noe annet er angitt, kan apparatets tilbehør ikke vaskes i oppvaskmaskin.
- Bruk funksjonen Smart Display så ofte som mulig.

## 4. TIPS FOR OPPBEVARING AV MATVARER

Kjøleskapet egner seg utmerket til oppbevaring av ferdigmat, ferskvarer, konservert mat, melkeprodukter, frukt, grønnsaker og drikkevarer.

### 4.1. VENTILERING

- Den naturlige luft sirkulasjonen i kjøleskapet gir soner med ulike temperaturer. Det er kaldest like over frukt- og grønnsaksskuffen og inne ved bakveggen. Det er varmest helt øverst mot døren.
- Utilstrekkelig ventilasjon gir økt energiforbruk og dårligere kjøling.

### 4.2. SLIK OPPBEVARER DU FERSKMAT OG DRIKKEVARER

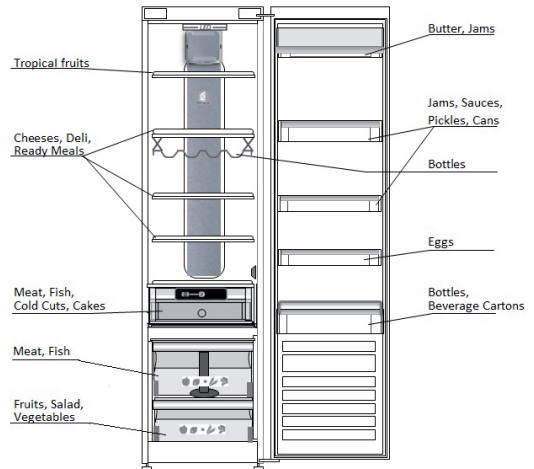
- Bruk beholdere av plast, metall, aluminium og glass som kan resirkuleres, og pakk inn maten i plastfolie.
- Bruk alltid lukkede beholdere til væske og matvarer med sterk lukt eller smak, eller som lett trekker til seg lukt eller smak.
- Matvarer som frigjør store mengder etylengass og de som er følsomme for denne type gasser, som frukt, grønnsaker og salat, må alltid oppbevares adskilt eller pakkes inn slik at oppbevaringstiden ikke reduseres; for eksempel må aldri tomater plasseres sammen med kiwi eller kål.
- Ikke sett matvarene så tett sammen at luften ikke kan sirkulere ordentlig.
- Bruk en flaskeholder (gjelder kun enkelte modeller) for å unngå at flasker velter.
- Hvis du kun oppbevarer noen få matvarer i kjøleskapet, anbefaler vi at du bruker hyllene like over frukt- og grønnsaksskuffen, siden dette er det kaldeste området i rommet.

\*Kun tilgjengelig på utvalgte modeller. Se i HURTIGSTARTVEILEDNINGEN om denne funksjonen faktisk er tilgjengelig på din modell.

#### 4.3. HVOR DU BØR OPPBEVARE FERSKMAT OG DRIKKEVARER

- På hyllene i kjøleskapet: ferdigmat, tropisk frukt, ost, ferskvarer.
- I det kaldeste området – nullgradersskuffen\* (den over den kjøligere seksjonen\*): kjøtt, fisk, kjøttpålegg, kaker.
- I frukt- og grønnsaksskuffen: frukt, salat, grønnsaker.
- I døren: smør, syltetøy, pickles, hermetikk, flasker, drikkekartonger, egg.

#### EKSEMPEL PÅ PLASSERING AV MATVARER



### 5. FUNKSJONSLYDER

Det er normalt at det kommer lyder fra apparatet, siden det har en rekke vifter og motorer som regulerer ytelsen og som slås på og av automatisk.

Noen av funksjonslydene kan reduseres ved å

- Nivellere apparatet og montere det på en horisontal flate.
- Skille fra hverandre og unngå kontakt mellom apparatet og møbler.

- Kontrollere om innvendige komponenter er riktig plassert.
- Kontrollere at flasker og beholdere ikke er i kontakt med hverandre.

Noen av funksjonslydene du kan høre:

En hvese-lyd når du slår på apparatet første gang eller etter en lang pause.



En gurglelyd når kjølemiddel renner inn i rørene.



BRRR-lyden fra kompressoren når denne er i drift.



En summelyd når vannventilen eller viften starter å virke.



En sprake-lyd når kompressoren starter eller når ferdig is faller ned i isbeholderen, brå klikk når kompressoren slår seg på og av.



KLIKKET kommer fra termostaten som regulerer hvor ofte kompressoren er i drift.



\*Kun tilgjengelig på utvalgte modeller. Se i HURTIGSTARTVEILEDNINGEN om denne funksjonen faktisk er tilgjengelig på din modell.

## 6. ANBEFALING HVIS APPARATET IKKE ER I BRUK

### 6.1. FRAVÆR/FERIE

I ferier anbefaler vi å bruke opp maten og koble fra apparatet for å spare strøm.

### 6.2. FLYTTE

1. Ta ut alle innvendige deler.
2. Pakk dem godt inn og fest dem til hverandre med limbånd slik at de ikke slår mot hverandre eller blir borte.
3. Skru de justerbare føttene slik at de ikke berører støtteflaten.
4. Lukk døren og lås den fast med limbånd, og bruk dessuten limbånd til å feste strømledningen til apparatet.

### 6.3. STRØMRUDD

Hvis det oppstår et strømbrudd, må du ringe strømleverandøren og spørre hvor lenge det kommer til å vare.

**Merk:** Husk at et fullt skap vil holde seg kaldt lenger enn et som bare er halvfullt.

Hvis maten viser seg å være i dårlig forfatning, er det best å kaste den.

#### For strømbrudd som varer opptil 24 timer.

1. Hold døren på apparatet stengt. Det vil gjøre at maten holder seg kald lengst mulig.

#### For strømbrudd som varer lenger enn 24 timer.

1. Prøv å bruke opp den maten som lettest blir fordervet.

## 7. RENGJØRING OG VEDLIKEHOLD

Før du utfører rengjøring eller vedlikehold, trekk ut stikkkontakten til apparatet eller koble fra strømforsyningen. Vask apparatet av og til med en klut og en blanding av lunken vann og et nøytralt vaskemiddel som er egnet for vask av kjøleskap innvendig. Du må aldri bruke skuremidler. Kjøleskapdeler må aldri rengjøres med brennbare væsker. Dampen kan skape brann- eller eksplosjonsfare. Rengjør utsiden av apparatet og dørpakningen med en fuktig klut og tørk med en tørr klut.

Ikke bruk damprengjøringsutstyr.

Kondensatoren, som sitter på baksiden av apparatet, bør rengjøres regelmessig med støvsuger.

Kondensatoren, som sitter på baksiden av apparatet, bør rengjøres regelmessig med støvsuger.

#### Viktig:

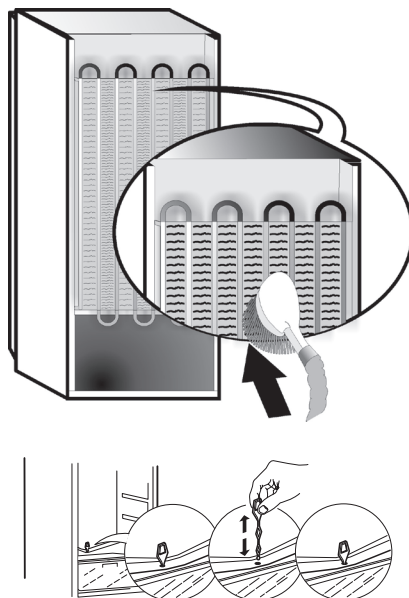
- Knappene og displayet på kontrollpanelet må ikke rengjøres med alkohol eller alkoholbaserte midler, men med en tørr klut.
- Rørene i kjølesystemet sitter nær avisingspannen og kan bli varme. Rengjør dem av og til med støvsuger.

For å sikre at smeltevannet kan strømme uavbrutt og korrekt, rengjør innsiden av avløpshullet bak på kjøleskapet i nærheten av frukt- og grønnsaksskuffen regelmessig, med vedlagt redskap.

**Før du vasker "nullgradersskuffen" (også utvendig) må du ta ut skuffen slik at du kan koble boksen fra strømtilførselen.**

Vask boksen og alle dens deler regelmessig. Bruk en klut og en oppløsning av varmt vann og nøytralt vaskemiddel som er spesifikt formulert for innvendig vask av kjøleskap (den hvite plasthyllen under boksen må ikke senkes ned i vann).

Bruk aldri skurende produkter.



\*Kun tilgjengelig på utvalgte modeller. Se i HURTIGSTARTVEILEDNINGEN om denne funksjonen faktisk er tilgjengelig på din modell.

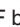
## 8. FEILSØKINGSLISTE




### 8.1. FØR DU KONTAKTER SERVICEAVDELINGEN...

Driftsproblemer er ofte et resultat av små ting som du kan fikse selv uten verktøy av noe slag.

PROBLEM	LØSNING
<b>Apparatet virker ikke:</b>	<ul style="list-style-type: none"> <li>• Er strømledningen satt inn i en strømførende kontakt med riktig spenning?</li> <li>• Har du kontrollert verneinnretningene og sikringene i boligens elektriske anlegg?</li> </ul>
<b>Hvis det er vann i avisingspannen:</b>	<ul style="list-style-type: none"> <li>• Dette er normalt i varmt, fuktig vær. Pannen kan til og med bli halvfull. Sørg for at apparatet er i vater slik at vannet ikke renner ut.</li> </ul>
<b>Hvis kantene på skapet, som er i kontakt med dørpakningen, føles varme:</b>	<ul style="list-style-type: none"> <li>• Dette er normalt i varmt vær og når kompressoren er i gang.</li> </ul>
<b>Hvis lyset ikke virker:</b>	<ul style="list-style-type: none"> <li>• Har du kontrollert verneinnretningene og sikringene i boligens elektriske anlegg?</li> <li>• Er strømledningen satt inn i en strømførende kontakt med riktig spenning?</li> <li>• Hvis LED-lysepærene har gått, må brukeren ringe Serviceavdelingen for å få dem skiftet ut med pærer av samme type, som kun er tilgjengelig fra våre Servicesentre eller autoriserte forhandlere.</li> </ul>
<b>Hvis motoren synes å gå for mye:</b>	<ul style="list-style-type: none"> <li>• Motorens driftstid avhenger av ulike ting: antall døråpninger, mengden mat som oppbevares, romtemperaturen, innstillingen til temperaturbryterne.</li> <li>• Er kondensatoren (bak på apparatet) fri for støv og lo?</li> <li>• Er døren ordentlig lukket?</li> <li>• Sitter dørpakningene som de skal?</li> <li>• Motoren går alltid lenger på varme dager eller hvis rommet er varmt.</li> <li>• Hvis døren på apparatet har blitt stående åpen en stund, eller hvis det er lagt inn store mengder mat, vil motoren gå lenger for å kjøle ned apparatet innvendig.</li> </ul>
<b>Hvis temperaturen i apparatet er for høy:</b>	<ul style="list-style-type: none"> <li>• Er bryterne på apparatet korrekt innstilt?</li> <li>• Er det lagt en stor mengde mat i apparatet?</li> <li>• Kontroller at døren ikke åpnes for ofte.</li> <li>• Kontroller at døren lukkes som den skal.</li> </ul>
<b>Hvis dørene ikke kan åpnes og lukkes som de skal:</b>	<ul style="list-style-type: none"> <li>• Kontroller at det ikke er pakker med mat som blokkerer døren.</li> <li>• Kontroller at innvendige deler eller den automatiske ismakeren ikke er ute av stilling.</li> <li>• Kontroller at dørpakningene ikke er skitne eller klebrige.</li> <li>• Sørg for at apparatet står i vater.</li> </ul>

### 8.2. DRIFTSFORSTYRRELSER

Hvis det utløses driftsalarmer (de vises også med lysende bokstaver (f.eks. Feil 1, Feil 2 osv...), må du ringe serviceavdelingen og oppgi alarmkoden. Lydalarmer er aktivert, alarmikonet  tennes og bokstaven F blinker på displayet i henhold til feilkoden beskrevet nedenfor:

Feilkode	Visualisering
Feil 2	Bokstaven F blinker på/av med frekvens på 0,5 sek. Blinker PÅ 2 ganger og slukkes deretter i 5 sekunder. Mønsteret gjentas.  x2
Feil 3	Bokstaven F blinker på/av med frekvens på 0,5 sek. Blinker PÅ 3 ganger og slukkes deretter i 5 sekunder. Mønsteret gjentas.  x3
Feil 6	Bokstaven F blinker på/av med frekvens på 0,5 sek. Blinker PÅ 6 ganger og slukkes deretter i 5 sekunder. Mønsteret gjentas.  x6

\*Kun tilgjengelig på utvalgte modeller. Se i HURTIGSTARTVEILEDNINGEN om denne funksjonen faktisk er tilgjengelig på din modell.



## 9. KUNDESERVICE

### **Før serviceavdelingen kontaktes:**

Slå apparatet på igjen for å se om problemet er løst. Hvis ikke, kobler du apparatet fra strømforsyningen og venter i omtrent en time før du skrur det på igjen. Hvis apparatet fremdeles ikke fungerer som det skal etter at du har utført kontrollene beskrevet i feilsøkinglisten og slått apparatet på igjen, må du kontakte serviceavdelingen og forklare problemet.

### **Oppgi følgende:**

- apparatets modell og serienummer (som står på servicemerket),
- problemets art,

**SERVICE** 0000 000 00000



- servicenummeret (nummeret etter ordet SERVICE på informasjonsskiltet på innsiden av apparatet),
- din fullstendige adresse,
- ditt telefonnummer og retningsnummer.

### **Merk:**

Du kan endre hvilken vei døren åpner seg. Hvis dette gjøres av serviceavdelingen, dekkes det ikke av garantien.

# INNEHÅLLSFÖRTECKNING

Kapitel 1: <b>INSTALLATION</b> .....	67
1.1. INSTALLERA APPARATEN .....	67
1.2. INSTALLERA TVÅ APPARATER .....	67
1.3. JUSTERA DÖRRARNA (I FÖREKOMMANDE FALL).....	67
Kapitel 2: <b>FUNKTIONER</b> .....	68
2.1. PÅ/STANDBY .....	68
2.2. SMART DISPLAY* .....	68
2.3. 6TH SENSE FRESH CONTROL / PROFRESH.....	68
2.4. DÖRRLARM .....	68
2.5. SEMESTER .....	68
2.6. SNABBKYLNING .....	68
2.7. LÅDA FÖR NOLLGRADIG FÖRVARING* .....	69
2.8. FLÄKT .....	69
2.9. TEMPERATURINSTÄLLNING .....	69
2.10. KYLDEL MED AUTOMATISK AVFROSTNING .....	69
2.11. LED-BELYSNINGSSYSTEM* .....	70
2.12. FUKTSTYRD UPPFRÄSCHARE* .....	70
Kapitel 3: <b>ANVÄNDNING</b> .....	70
3.1. ÖKA KYLSKÅPETS FÖRVARINGSUTRYMME.....	70
3.2. ANMÄRKNINGAR:.....	70
Kapitel 4: <b>TIPS FÖR LIVSMEDELSFÖRVARING</b> .....	70
4.1. VENTILATION .....	70
4.2. FÖRVARING AV FÄRSKA LIVSMEDEL OCH DRYCKER.....	70
4.3. VAR FÄRSKA LIVSMEDEL OCH DRYCKER SKA FÖRVARAS .....	71
Kapitel 5: <b>FUNKTIONSLJUD</b> .....	71
Kapitel 6: <b>OM APPARATEN INTE ANVÄNDS</b> .....	72
6.1. FRÅNVARO/SEMESTER .....	72
6.2. VID FLYTT .....	72
6.3. STRÖMAVBROTT .....	72
Kapitel 7: <b>RENGÖRING OCH UNDERHÅLL</b> .....	72
Kapitel 8: <b>FELSÖKNINGSGUIDE</b> .....	73
8.1. INNAN DU KONTAKTAR KUNDSERVICE.....	73
8.2. FELFUNKTION .....	73
Kapitel 9: <b>SERVICE</b> .....	74
Övrigt:	
OMVÄND DÖRRÖPPNING (VERSION_1).....	75
OMVÄND DÖRRÖPPNING (VERSION_2).....	77

**OBS:**

Anvisningarna gäller för flera modeller och skillnader kan förekomma. Avsnitt som endast gäller för specifika modeller är märkta med en asterisk (\*).

Mer information om funktioner för specifika modeller finns i SNABBGUIDEN.

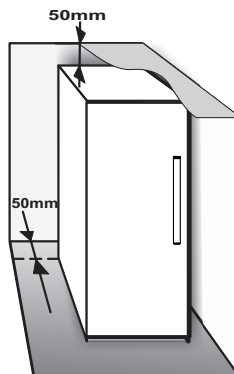
# 1. INSTALLATION

## 1.1. INSTALLERA APPARATEN

För att säkerställa bra ventilation måste det finnas tillräckligt med utrymme omkring apparaten, både ovanför och på sidorna.

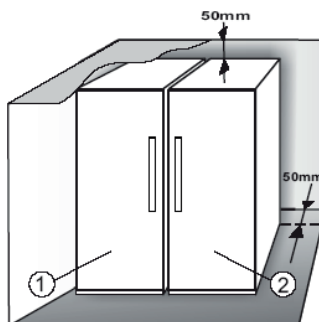
Avståndet mellan baksidan av apparaten och väggen ska vara minst 50 mm.

Om avståndet är mindre kommer apparaten att förbruka mer energi.

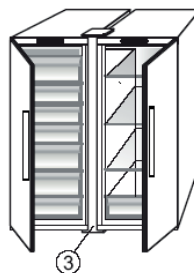


## 1.2. INSTALLERA TVÅ APPARATER

När frys och ① kylskåp ② installeras bredvid varandra ska frysen placeras till vänster om kylskåpet (se bilden). Kylskåpet är utrustat med en särskild anordning på vänster sida för att undvika att kondens bildas mellan apparaterna.



Vi rekommenderar att länksatsen används om apparaterna installeras bredvid varandra ③ (se bilden). Kontakta Service för att beställa satsen.

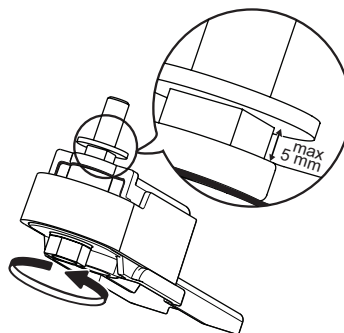


## 1.3. JUSTERA DÖRRARNA (I FÖREKOMMANDE FALL)

Använd det justerbara nedre gångjärnet för att nivellera dörrarna (på vissa modeller)


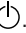
Om kylskåpsdörren är lägre än frysens dörr, höj kylskåpsdörren genom att vrida justeringsskruven moturs med hjälp av en skiftnyckel M10.

Om frysdörren sitter lägre än kylskåpsdörren, ska du höja upp frysdörren genom att vrida justeringsskruven moturs med en M10-nyckel.







## 2. FUNKTIONER

### 2.1. PÅ/STANDBY

Använd den här funktionen för att slå på kylskåpet eller sätta det i standby. Aktivera standby-läget genom att hålla knappen På/Standby  intryckt i 3 sekunder. När apparaten är i standby är lampan inuti kylskåpet släckt. Tänk på att detta inte medför att apparaten kopplas bort från elnätet. Du slår på apparaten igen genom att trycka på .

### 2.2. SMART DISPLAY\*

Den här tilläggsfunktionen kan användas för att spara energi. Se anvisningarna i Snabbguiden för att aktivera och avaktivera funktionen. Displayen släcks två sekunder efter att Smart Display aktiverats. För att ställa in temperatur eller för att använda andra funktioner måste du först aktivera displayen genom att trycka på någon av knapparna. Efter aktivering av Smart Display, slocknar displayen, utom  Sense Fresh Control /  "ProFresh" indikatorn. Du kan ställa in temperatur eller använda andra funktioner när Smart Display är aktiverad genom att först slå på displayen genom att trycka på någon av knapparna.

Efter ca 15 sekunder utan att utföra någon åtgärd, slocknar displayen igen och bara  Sense Fresh Control /  "ProFresh" indikatorn förblir synlig. När funktionen avaktiveras återgår displayen till normal funktion. Smart Display avaktiveras automatiskt efter ett strömavbrott. Den här funktionen skiljer inte produkten från elnätet utan minskar bara displayens strömförbrukning.

**Anmärkning:** Märkvärdet för produktens strömförbrukning har beräknats med funktionen Smart Display aktiverad.



### 2.3. 6TH SENSE FRESH CONTROL

#### PROFRESH

Med den här funktionen kan man snabbt uppnå optimal förvaringstemperatur och luftfuktighet inuti kylskåpet. Fläkten måste vara aktiverad för att funktionen ska fungera korrekt. "6th Sense Fresh Control"/"ProFresh" har aktiverats som standard. För att aktivera eller inaktivera denna funktion - se den bifogade Snabbstartguiden.

Efter ett strömavbrott eller då man går ut från standby till normalläge, återställs statusen "6th Sense Fresh Control" / "ProFresh" till standard dvs. aktiv.

### 2.4. DÖRRLARM

Larmikonen  blinkar och larmet ljuder. Larmet aktiveras när dörren har stått öppen längre än 2 minuter. Stäng dörren för att avaktivera dörrlarmet eller tryck en gång på larmknappen  för att tysta larmet.

### 2.5. SEMESTER

Slå på funktionen för att minska strömförbrukningen när du är borta en längre tid.

När funktionen aktiveras ska alla livsmedel som kan bli förstörda tas ut ur kylskåpet och dörren hållas stängd, eftersom kylskåpet håller en lagom temperatur för att undvika dålig lukt (+12 °C).

Slå på/av funktionen genom att trycka på semesterknappen och hålla den intryckt i 3 sekunder. När funktionen slås på tänds relevant ikon och kylskåpstemperaturen ges en högre inställning (temperaturdisplayen visar den nya temperaturen +12 °C).

Funktionen slås automatiskt av om temperaturinställningen ändras.


#### Observera:

- **Funktionen är inkompatibel med snabbkylningsfunktionen**

För att garantera optimal prestanda kan inte semesterfunktionen och snabbkylningsfunktionen aktiveras på en och samma gång. Om snabbkylningsfunktionen redan har aktiverats måste funktionen först avaktiveras innan semesterfunktionen aktiveras (eller vice versa).

### 2.6. SNABBKYLNING

**Vi rekommenderar att använda snabbkylningsfunktionen när stora mängder matvaror placeras i kylskåpet.**

Snabbkylningsfunktionen  används för att öka kylskåpets kylkapacitet. Slå på fläkten för att öka kylkapaciteten.

#### Observera:

- **Funktionen är inkompatibel med semesterfunktionen**

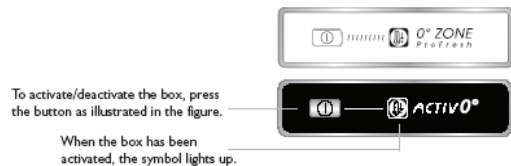
För att garantera optimal prestanda kan inte semesterfunktionen och snabbkylningsfunktionen aktiveras på en och samma gång. Om semesterfunktionen redan har aktiverats måste funktionen först avaktiveras innan snabbkylningsfunktionen aktiveras (eller vice versa).

\*Finns endast på vissa modeller. Kontrollera SNABBGUIDEN för att se om funktionen finns på den aktuella modellen.

## 2.7. LÅDA FÖR NOLLGRADIG FÖRVARING\*

Lådan för nollgradig förvaring har en låg temperatur och passande luftfuktighet för längre förvaring av färska matvaror (t.ex. kött, fisk, frukt och vintergrönsaker).

### Aktivering och avaktivering



Temperaturen inuti facket är cirka 0° om den är aktiverad. Följande faktorer är viktiga för att lådan för nollgradig förvaring ska fungera korrekt:

- kyldelen måste vara påslagen
- temperaturen i kyldelen ska vara mellan +2 °C och +5 °C
- facket måste vara monterat för att det ska kunna aktiveras
- inga specialfunktioner får ha valts (standby, semester - i förekommande fall).

Om en av dessa specialfunktioner har valts måste lådan för nollgradig förvaring avaktiveras manuellt och eventuella livsmedel tas ut ur lådan. Om lådan inte stängs av manuellt avaktiveras den automatiskt efter 8 timmar.

### Anmärkning:

- Om symbolen inte tänds när funktionen är aktiverad, kontrollera att lådan är ordentligt isatt; Om problemet kvarstår, kontakta auktoriserad teknisk service
- om funktionen är aktiv och lådan öppen, kan symbolen på kontrollpanelen inaktiveras automatiskt. Om du för in lådan igen tänds symbolen
- oberoende av status för funktionen kan ett svagt ljud kan höras: detta är normalt.
- när funktionen inte är aktiv, beror temperaturen i lådan på den allmänna temperaturen i kylskåpet.

Avdelningen kan i så fall användas för förvaring av frukt och grönsaker som är köldtåliga (bär, äpplen, aprikoser, morötter, spenat, sallad osv.).

**Viktigt:** när funktionen är aktiverad och det finns mat med hög fukthalt i facket kan det bildas kondens på hyllorna. Avaktivera i så fall funktionen tillfälligt.

## 2.8. FLÄKT

Fläkten gör att temperaturen fördelas jämnt inuti kylan och att matvarorna följaktligen förvaras bättre. I standardläget är fläkten påslagen. Det är lämpligt att hålla fläkten påslagen, så att 6th Sense Fresh Control/ProFresh-funktionen kan fungera. Detta gäller även när omgivningstemperaturen är över 27 ÷ 28° C eller om du märker vattendroppar på glashyllorna eller vid allvarliga fuktförhållanden. Notera att fläkten inte arbetar under hela tiden när den är påslagen. Fläkten startar beroende på temperatur och/eller fuktighetsnivå i apparaten. Det är därför helt normalt att fläkten inte arbetar trots att den är påslagen.

Mer information om aktivering och avaktivering av funktionen finns i Snabbguiden.

**Observera:** Om du avaktiverar fläkten stänger du även av funktionerna 6th Sense Fresh Control/ProFresh.

### Anmärkning:

#### Blockera inte luftintagen med matvaror.

För att minimera energiförbrukningen och garantera rätt funktion när omgivningstemperaturen är lägre än 18 °C bör fläkten stängas av.

Stäng av fläkten genom att följa proceduren ovan.

Om apparaten har en fläkt kan den utrustas med ett **antibakteriellt filter**.

Ta ut filtret ur behållaren i frukt- och grönsakslådan och sätt in det i fläktlocket.

Anvisningar om hur filtret ska bytas medföljer filtret.

## 2.9. TEMPERATURINSTÄLLNING

Vanligtvis ställs apparaten in på fabriken för funktion vid 5 °C, dvs. rekommenderad driftstemperatur. Du kan ställa in den invändiga temperaturen mellan 8 °C och 2 °C, genom att följa nedanstående anvisningar:

- Tryck på temperaturinställningsknappen (°C). Förvaringstemperaturen kan ställas in med -1 °C för varje knapptryck: värdet ändras stegvis mellan 8 °C och 2 °C.

**Anmärkning:** De visade inställningspunkterna motsvarar den genomsnittliga temperaturen i hela kylskåpet.

## 2.10. KYLDEL MED AUTOMATISK AVFROSTNING

Avfrostningen av kyldelen sker automatiskt.

När det bildas vattendroppar på kyldelens bakre innervägg är det ett tecken på att den automatiska avfrostningen pågår. Avfrostningsvattnet leds till ett dräneringshål och samlas sedan upp i en behållare där det förångas.

\*Finns endast på vissa modeller. Kontrollera SNABBGUIDEN för att se om funktionen finns på den aktuella modellen.

## 2.11. LED-BELYSNINGSSYSTEM\*

LED-lampor används för belysningen i kylskåpet och ger en effektiv belysning och mycket låg energiförbrukning. Om belysningssystemet inte fungerar ska du kontakta service för att byta ut det.

### Viktigt:

Den invändiga belysningen tänds när kylskåpsdörren öppnas. Om dörren lämnas öppen i mer än 10 minuter släcks belysningen automatiskt.

## 3. ANVÄNDNING

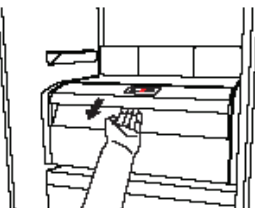
### 3.1. ÖKA KYLSKÅPETS FÖRVARINGSUTRYMME

Du kan öka förvaringsutrymmet genom att ta ut lådan för nollgradig förvaring\*

Gör så här:

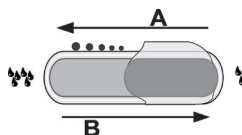
- stäng av lådan
- dra ut lådan och den vita plasthyllan under lådan.

**Anmärkning:** den övre hyllan och sidostödet kan inte tas bort. Sätt tillbaka den vita plasthyllan i kylskåpet och sätt sedan tillbaka lådan för nollgradig förvaring för att aktivera funktionen igen. Vi rekommenderar att avaktivera lådan för nollgradig förvaring och ta ur den om du vill minska energiförbrukningen.



## 2.12. FUKTSTYRD UPPFRÄSCHARE\*

Salladslådan som är monterad inuti kylen har speciellt utformats för att förvara frukt och grönsaker färska och fräscha. Öppna fuktregulatorn (position B) om du vill förvara livsmedel som frukt i en mindre fuktig miljö, eller stäng den (position A) för att förvara livsmedel i en mer fuktig miljö som grönsaker.



### 3.2. ANMÄRKNINGAR:

- Blockera inte luftutloppet (i apparatens bakre panel) med matvaror.
- Om frysen har en lucka kan du öka förvaringsutrymmet genom att ta bort den.
- Samtliga hyllor, luckor och korgar är avtagbara.
- Apparatens invändiga temperatur kan variera beroende på rumstemperaturen, hur ofta dörren öppnas och var apparaten har placerats. Temperaturinställningen bör beakta dessa faktorer.
- Apparatens tillbehör tål inte maskindisk om inget annat anges.
- Använd Smart Display-funktionen så ofta som möjligt.

## 4. TIPS FÖR LIVSMEDELSFÖRVARING

Kylskåpet passar utmärkt för förvaring av färska och konserverade livsmedel, färdigmat, mejeriprodukter, frukt, grönsaker och drycker.

### 4.1. VENTILATION

- När luften cirkulerar i kyldelen bildas zoner med olika temperaturer. Temperaturen är kallast ovanför frukt- och grönsakslådan och vid den bakre panelen. Den är varmast i den övre främre delen av kylskåpet.
- Otillräcklig ventilation resulterar i ökad energiförbrukning och minskad kyleffekt.

### 4.2. FÖRVARING AV FÄRSKA LIVSMEDEL OCH DRYCKER

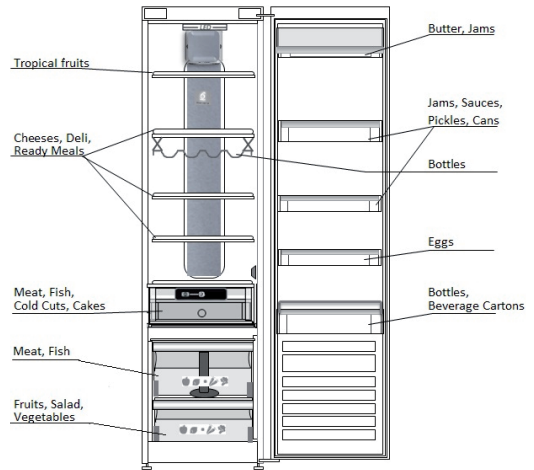
- Använd behållare av återvinningsbart plast-, metall-, aluminium- eller glasmaterial och plastfolie för att slå in maten.
- Förvara vätskor och mat som kan ge ifrån sig eller dra åt sig lukt eller smak i stängda behållare eller täck över dem.
- Livsmedel som avger en stor mängd etylengas och de som är känsliga för denna gas, såsom frukt, grönsaker och sallad, bör alltid separeras eller lindas in för att inte minska hållbarhetstiden; Till exempel ska inte tomater förvaras tillsammans med kiwi eller kål.
- Förvara inte matvaror tätt intill varandra för att luften ska kunna cirkulera fritt.
- Använd flaskhållaren för att undvika att flaskor tippas (finns på vissa modeller).
- Om du har en liten mängd matvaror i kylskåpet rekommenderar vi att använda hyllorna ovanför frukt- och grönsakslådan eftersom det är den svalaste delen av kylskåpet.

\*Finns endast på vissa modeller. Kontrollera SNABBGUIDEN för att se om funktionen finns på den aktuella modellen.

#### 4.3. VAR FÄRSKA LIVSMEDEL OCH DRYCKER SKA FÖRVARAS

- På hyllorna: färdig mat, exotisk frukt, ost, delikatesser.
- I den kallaste området - lådan med noll grader\* (ovanför svalen): kött, fisk, kallskuret, tårter.
- I frukt- och grönsakslådan: frukt, sallad, grönsaker.
- I dörren: smör, sylt, såser, inlagda grönsaker, burkar, flaskor, dryck i kartong, ägg.

#### EXEMPEL PÅ PLACERING



### 5. FUNKTIONSLJUD

Det är normalt att apparaten avger ljud eftersom flera fläktar och motorer används för att reglera funktioner som slås på och av automatiskt.

Vissa av funktionsljuden kan dämpas genom att:

- Nivellera apparaten och installera den på en jämn yta.
- Undvik att apparaten kommer i direkt kontakt med möbler.
- Se till att invändiga komponenter är placerade på rätt sätt.
- Se till att flaskor och behållare inte kommer i kontakt med varandra.

Vissa av funktionsljuden kan ändå höras:

Ett väsande ljud när du sätter på apparaten första gången eller efter ett långt uppehåll.



Ett gurglande ljud när kylvätska rinner in i ledningarna.



Ett BRRR-ljud kommer från kompressorn när den är igång.



Ett surrande ljud när vattenventilen eller fläkten börjar att arbeta.



Ett knakande ljud när kompressorn startar eller när färdiga iskuber faller ned i isbehållaren.



Ett KLICK-ljud från termostaten som bestämmer när kompressorn ska starta.



\*Finns endast på vissa modeller. Kontrollera SNABBGUIDEN för att se om funktionen finns på den aktuella modellen.

## 6. OM APPARATEN INTE ANVÄNDS

### 6.1. FRÅNVARO/SEMESTER

Vid längre frånvaro bör du tömma apparaten och koppla bort den från elnätet för att spara energi.

### 6.2. VID FLYTT

1. Ta ut alla invändiga delar.
2. Förpacka dem väl och fåst ihop dem med tejp så att de inte slår emot varandra eller förloras under transporten.
3. Skruva på de justerbara fötterna så att de inte vidrör stödytan.
4. Stäng dörren och använd tejp för att fixera den. Använd också tejp för att fästa nätkabeln vid apparaten.

### 6.3. STRÖMAVBROTT

Vid strömavbrott, kontakta elleverantören på din hemort och fråga hur länge strömavbrottet förväntas pågå.

**Anmärkning:** Tänk på att produkten håller sig kall längre om den är helt fylld än om den bara är delvis fylld.

Om matvarorna är i dåligt skick är det bäst att slänga dem.

#### Vid strömavbrott som varar upp till 24 timmar.

1. Kontrollera att dörren är helt stängd. Detta håller matvarorna kalla så länge som möjligt.

#### Vid strömavbrott som varar längre än 24 timmar.

1. Konsumera den mat som lättast blir förstörd.

## 7. RENGÖRING OCH UNDERHÅLL

Dra alltid ut stickkontakten från eluttaget eller koppla bort apparaten från elnätet på annat sätt innan någon typ av rengöring och underhåll utförs.

Rengör apparaten regelbundet med en duk, ljummet vatten och ett mildt rengöringsmedel som är avsett för invändig rengöring av kylskåp. Använd aldrig slipande rengöringsprodukter. Rengör aldrig kylskåpets delar med lättantändliga vätskor. Ångorna kan orsaka brand eller explosion. Rengör utsidan av apparaten och dörrlisten med en fuktig trasa och torka av med en mjuk duk.

Använd inte ångtvätt.

Rengör regelbundet kondensorn på baksidan av apparaten med en dammsugare.

Rengör regelbundet kondensorn på baksidan av apparaten med en dammsugare.

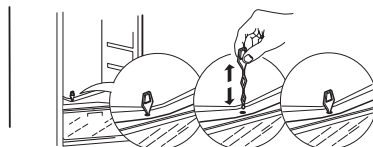
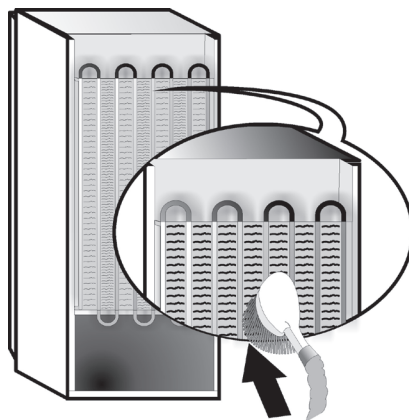
#### Viktigt:

- Knapparna och kontrollpanelens display får inte rengöras med alkohol eller liknande ämnen utan med en torr trasa.
- Kylsystemets rör är placerade i närheten av skålen för avfrostningsvattnet och kan bli mycket heta. Rengör dem regelbundet med en dammsugare.

Rengör regelbundet insidan av tömningshålet inuti apparaten (nära frukt- och grönsakslådan) för att garantera att avfrostningsvattnet tappas av fortlöpande och på ett korrekt sätt.

#### Ta ur lådan för nollgradig förvaring för att koppla bort lådans strömförsörjning innan du rengör den invändigt eller utvändigt.

Rengör lådan och dess beståndsdelar regelbundet med en fuktig duk och ett mildt rengöringsmedel som är avsett för rengöring av kylskåp. Placera inte den vita plasthyllan under lådan i vatten. Använd aldrig slipande rengöringsmedel.



\*Finns endast på vissa modeller. Kontrollera SNABBGUIDEN för att se om funktionen finns på den aktuella modellen.



## 8. FELSÖKNINGSGUIDE




### 8.1. INNAN DU KONTAKTAR KUNDSERVICE...

Problem är oftast lätta att åtgärda och ibland du kan lösa problemet själv utan några som helst verktyg.

PROBLEM	MÖJLIGA ÅTGÄRDER
<b>Apparaten fungerar inte:</b>	<ul style="list-style-type: none"> <li>• Är elsladden ansluten till ett eluttag med korrekt spänning?</li> <li>• Har du kontrollerat skyddsanordningarna och säkringarna i ditt hem?</li> </ul>
<b>Om det finns vatten i avfrostningsskålen:</b>	<ul style="list-style-type: none"> <li>• Detta är helt normalt vid varm och fuktig väderlek. Även om skålen är fylld till hälften tyder det på normal funktion. Kontrollera att apparaten står i våg så att vattnet inte rinner ur skålen.</li> </ul>
<b>Om ytorna som kommer i kontakt med dörrlisten är varma:</b>	<ul style="list-style-type: none"> <li>• Detta är normalt vid varmt väder när kompressorn är igång.</li> </ul>
<b>Om lampan inte fungerar:</b>	<ul style="list-style-type: none"> <li>• Har du kontrollerat skyddsanordningarna och säkringarna i ditt hem?</li> <li>• Är elsladden ansluten till ett eluttag med korrekt spänning?</li> <li>• Om LED-lamporna är trasiga ska du kontakta service för att byta mot lampor av samma typ. Lamporna är endast tillgängliga via kundtjänst eller auktoriserade återförsäljare.</li> </ul>
<b>Om motorn är aktiverad under lång tid:</b>	<ul style="list-style-type: none"> <li>• Hur länge motorn är igång beror på olika omständigheter: Hur ofta dörren öppnas, mängden mat, rumstemperatur, temperaturreglagens inställningar.</li> <li>• Är kondensorn (på baksidan av apparaten) täckt med damm eller ludd?</li> <li>• Är dörren ordentligt stängd?</li> <li>• Sitter dörrlisterna korrekt?</li> <li>• Under varma dagar eller vid hög rumstemperatur är det normalt att motorn är igång längre.</li> <li>• Om apparatens dörr har lämnats öppen under en längre tid eller om en stor mängd mat har placerats i den kommer motorn vara igång längre för att kyla apparaten invändigt.</li> </ul>
<b>Om apparatens temperatur är för hög:</b>	<ul style="list-style-type: none"> <li>• Är apparatens reglage korrekt inställda?</li> <li>• Har en stor mängd matvaror placeras i kylskåpet?</li> <li>• Kontrollera att dörren inte öppnas för ofta.</li> <li>• Kontrollera att dörren stängs ordentligt.</li> </ul>
<b>Om dörrarna inte öppnas och stängs ordentligt:</b>	<ul style="list-style-type: none"> <li>• Kontrollera att inga matförpackningar blockerar dörren.</li> <li>• Kontrollera att de invändiga delarna eller den automatiska ismaskinen sitter korrekt.</li> <li>• Kontrollera att dörrlisterna inte är smutsiga eller klabbiga.</li> <li>• Se till att apparaten står i våg.</li> </ul>

### 8.2. FELFUNKTION

Kontakta kundtjänst och uppgi larmkoden om funktionslarm visas på displayen (t.ex. Fel 1, Fel 2 etc.). Larmet ljuder, larmikonen ⚠ tänds och bokstaven F blinkar på displayen i enlighet med felkoderna som visas här:

Felkod	Visualisering
Fel 2	F tänds/släcks med intervaller om 0,5 sekunder. Tänds 2 gånger och förblir sedan släckt i 5 sekunder. Mönstret upprepas.  x2
Fel 3	Bokstaven F tänds/släcks med intervaller om 0,5 sekunder. Tänds 3 gånger och förblir sedan släckt i 5 sekunder. Mönstret upprepas.  x3
Fel 6	Bokstaven F tänds/släcks med intervaller om 0,5 sekunder. Tänds 6 gånger och förblir sedan släckt i 5 sekunder. Mönstret upprepas.  x6

\*Finns endast på vissa modeller. Kontrollera SNABBGUIDEN för att se om funktionen finns på den aktuella modellen.

## 9. SERVICE

### Innan du kontaktar kundservice...

Sätt på apparaten igen för att kontrollera om felet har åtgärdats. Om så inte är fallet drar du ut kontakten ur eluttaget, låter kylskåpet stå i en timme och gör sedan om försöket.

Om apparaten inte fungerar som den ska trots att du har utfört kontrollerna som beskrivs i avsnittet Felsökning och startat om apparaten, ska du kontakta kundtjänst och beskriva problemet.

### Uppge:

- apparatens modell och serienummer (finns på typskylten),
- vilken typ av problem det rör sig om,

**SERVICE** 0000 000 00000

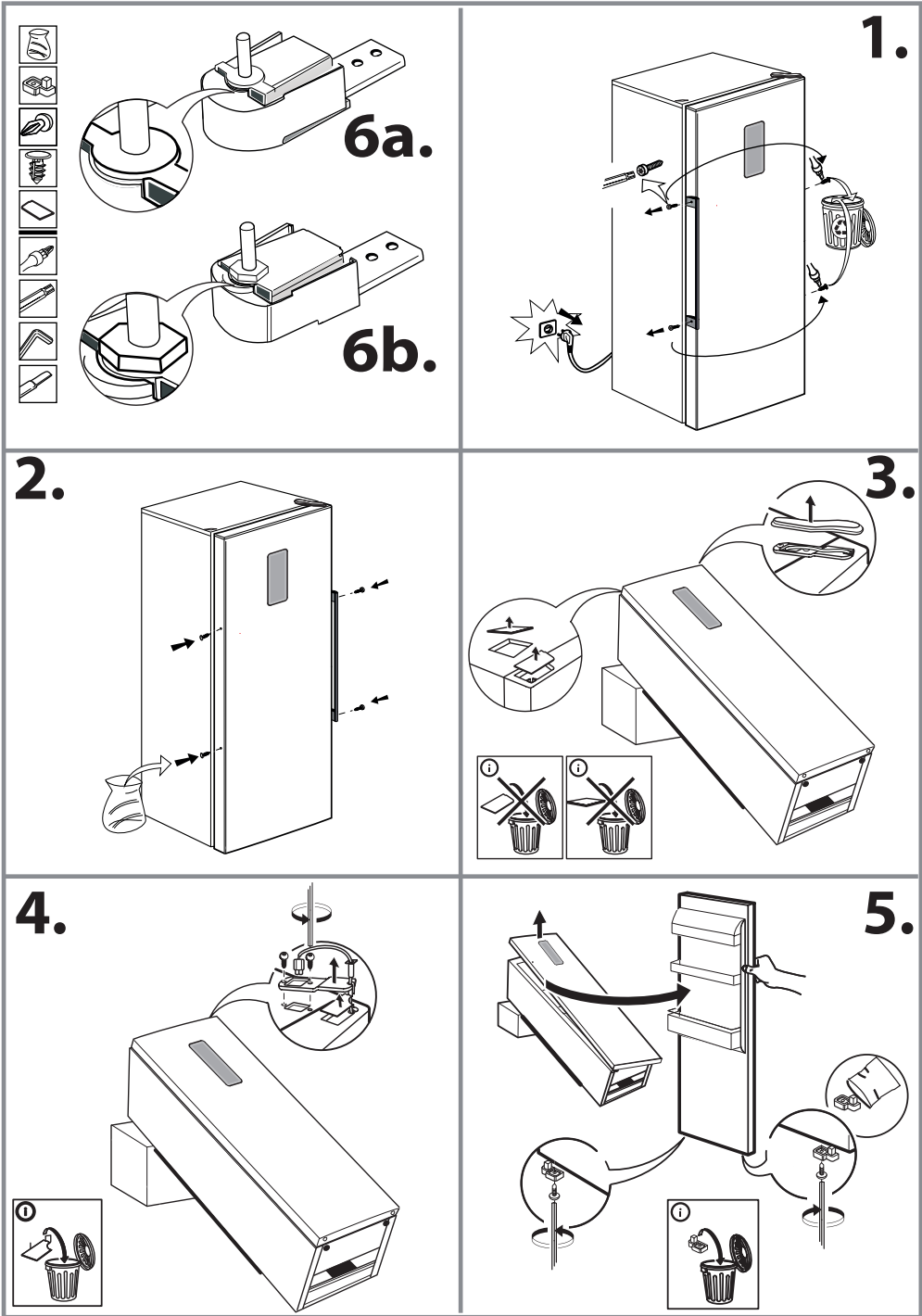


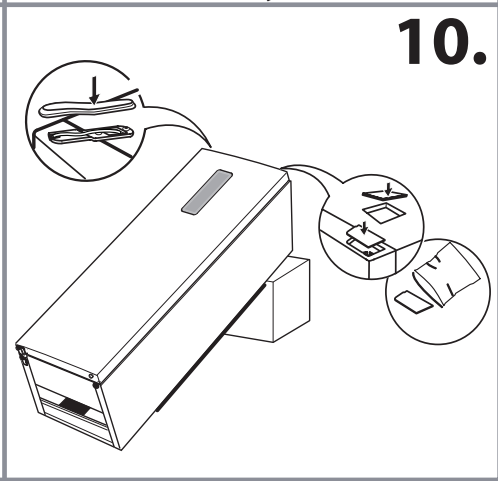
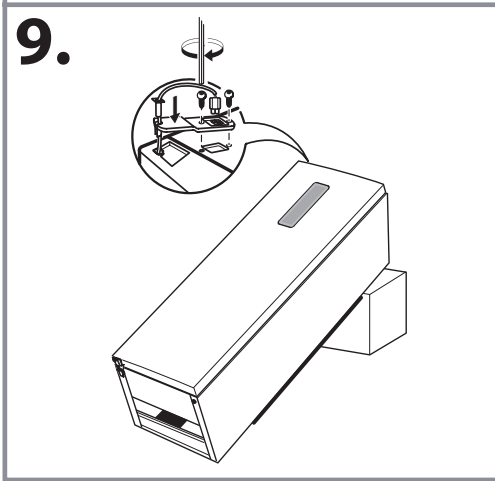
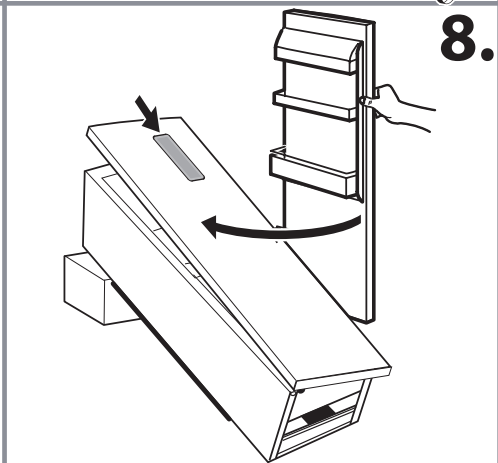
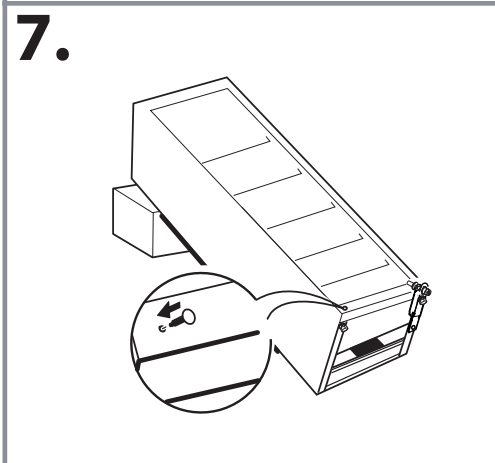
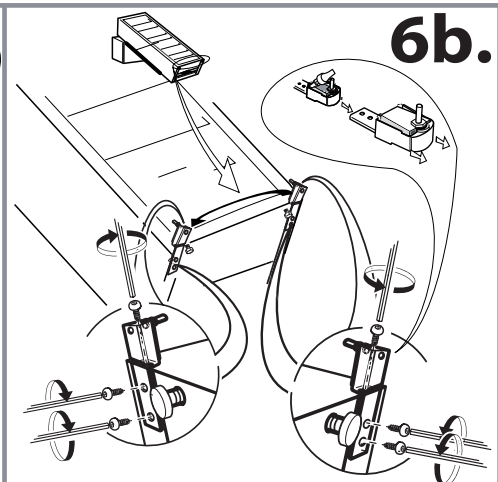
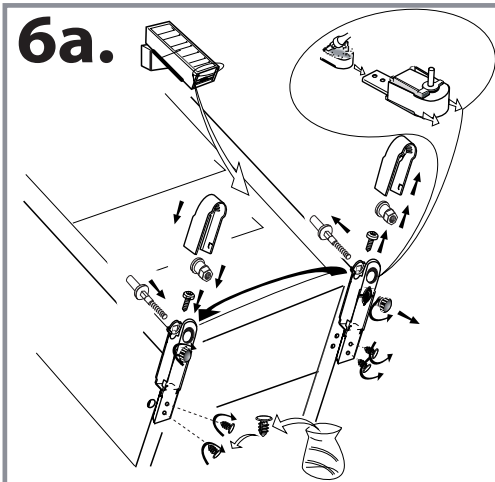
- servicenumret (denna kod finns efter ordet SERVICE på typskylten som finns inuti apparaten),
- Din fullständiga adress
- Telefon- och riktnummer

### Anmärkning:

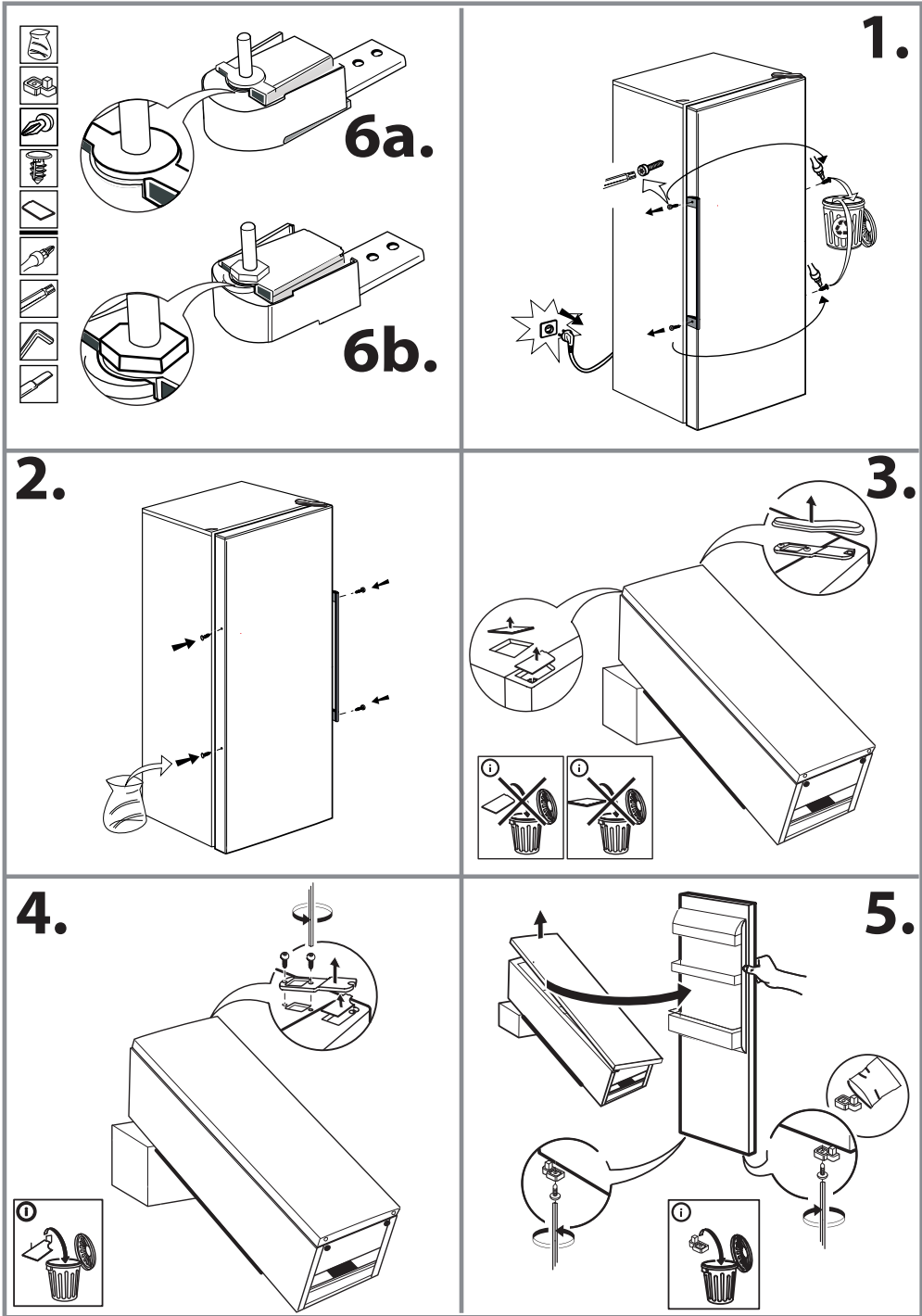
Dörren kan hängas om till öppning på andra sidan. Omhängning av dörrar som utförs av vår serviceorganisation täcks inte av garantin.

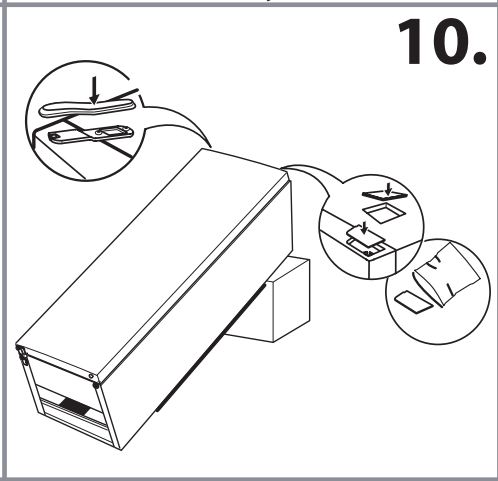
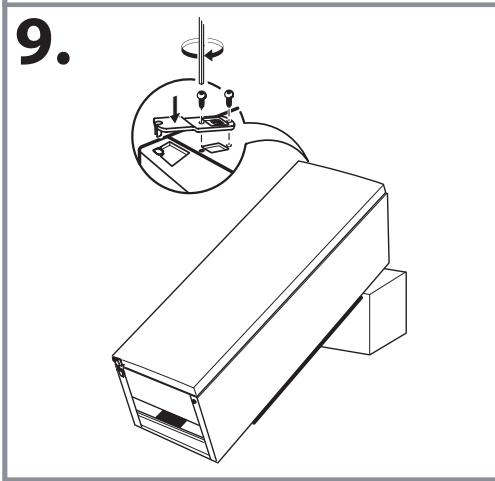
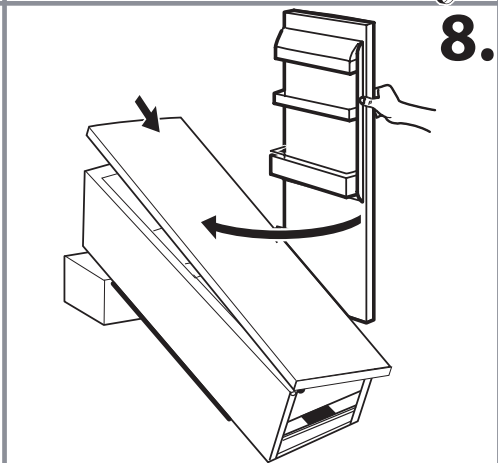
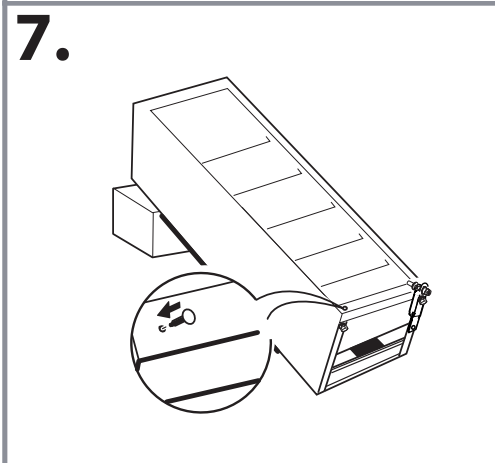
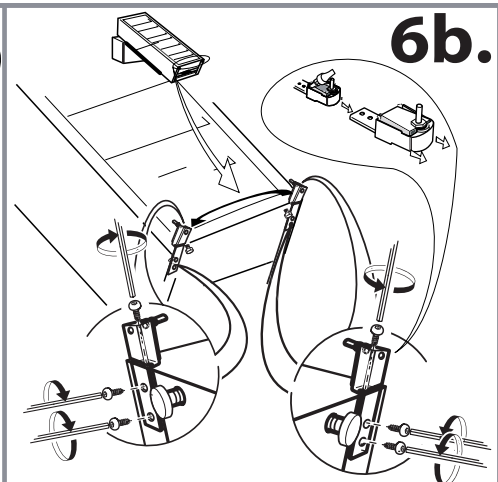
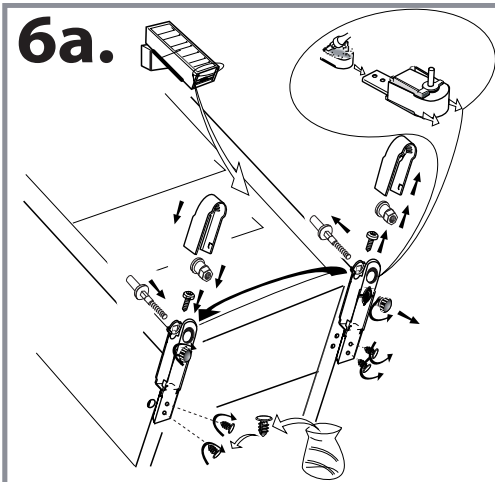
# (1)





# (2)







19515164200



10/16