

SAFETY INSTRUCTIONS

Before using the appliance, read these safety instructions. Keep them nearby for future reference.

These instructions and the appliance itself provide important safety warnings, to be observed at all times. The manufacturer declines any liability for failure to observe these safety instructions, for inappropriate use of the appliance or incorrect setting of controls.

⚠ **WARNING:** If the hob surface is cracked, do not use the appliance - risk of electric shock.

⚠ **WARNING:** Danger of fire: Do not store items on the cooking surfaces.

⚠ **CAUTION:** The cooking process has to be supervised. A short cooking process has to be supervised continuously.

⚠ **WARNING:** Unattended cooking on a hob with fat or oil can be dangerous - risk of fire. NEVER try to extinguish a fire with water: instead, switch off the appliance and then cover flame e.g. with a lid or a fire blanket.

⚠ Do not use the hob as a work surface or support. Keep clothes or other flammable materials away from the appliance, until all the components have cooled down completely - risk of fire.

⚠ Very young children (0-3 years) should be kept away from the appliance. Young children (3-8 years) should be kept away from the appliance unless continuously supervised. Children from 8 years old and above and persons with reduced physical, sensory or mental capabilities or lack of experience and knowledge can use this appliance only if they are supervised or have been given instructions on safe use and understand the hazards involved. Children must not play with the appliance. Cleaning and user maintenance must not be carried out by children without supervision.

⚠ **WARNING:** The appliance and its accessible parts become hot during use. Care should be taken to avoid touching heating elements. Children less than 8 years of age shall be kept away unless continuously supervised.

⚠ The food must not be left in or on the product for more than one hour before or after cooking.

PERMITTED USE

⚠ **CAUTION:** the appliance is not intended to be operated by means of an external switching device, such as a timer, or separate remote controlled system.

⚠ This appliance is intended to be used in household and similar applications such as: staff kitchen areas in shops, offices and other working environments; farm houses; by clients in hotels, motels, bed & breakfast and other residential environments.

⚠ No other use is permitted (e.g. heating rooms).

⚠ This appliance is not for professional use. Do not use the appliance outdoors.

INSTALLATION

⚠ The appliance must be handled and installed by two or more persons - risk of injury. Use protective gloves to unpack and install - risk of cuts.

⚠ Installation, including water supply (if any), electrical connections and repairs must be carried out by a qualified

IMPORTANT TO BE READ AND OBSERVED

technician. Do not repair or replace any part of the appliance unless specifically stated in the user manual. Keep children away from the installation site. After unpacking the appliance, make sure that it has not been damaged during transport. In the event of problems, contact the dealer or your nearest After-sales Service. Once installed, packaging waste (plastic, styrofoam parts etc.) must be stored out of reach of children - risk of suffocation. The appliance must be disconnected from the power supply before any installation operation - risk of electric shock. During installation, make sure the appliance does not damage the power cable - risk of fire or electric shock. Only activate the appliance when the installation has been completed.

⚠ Carry out all cabinet cutting operations before fitting the appliance and remove all wood chips and sawdust.

⚠ If the appliance is not installed above an oven, a separator panel (not included) must be installed in the compartment under the appliance.

ELECTRICAL WARNINGS

⚠ It must be possible to disconnect the appliance from the power supply by unplugging it if plug is accessible, or by a multi-pole switch installed upstream of the socket in accordance with the wiring rules and the appliance must be earthed in conformity with national electrical safety standards.

⚠ Do not use extension leads, multiple sockets or adapters. The electrical components must not be accessible to the user after installation. Do not use the appliance when you are wet or barefoot. Do not operate this appliance if it has a damaged power cable or plug, if it is not working properly, or if it has been damaged or dropped.

⚠ Installation using a power cable plug is not allowed unless the product is already equipped with the one provided by the Manufacturer.


⚠ If the supply cord is damaged, it must be replaced with an identical one by the manufacturer, its service agent or similarly qualified persons in order to avoid a hazard - risk of electric shock.

CLEANING AND MAINTENANCE

⚠ **WARNING:** Ensure that the appliance is switched off and disconnected from the power supply before performing any maintenance operation; never use steam cleaning equipment - risk of electric shock.

⚠ Do not use abrasive or corrosive products, chlorine-based cleaners or pan scourers.

DISPOSAL OF PACKAGING MATERIALS

The packaging material is 100% recyclable and is marked with the recycle symbol .


The various parts of the packaging must therefore be disposed of responsibly and in full compliance with local authority regulations governing waste disposal.

DISPOSAL OF HOUSEHOLD APPLIANCES

This appliance is manufactured with recyclable or reusable materials. Dispose of it in accordance with local waste disposal regulations. For further information on the treatment, recovery and recycling of household electrical appliances, contact your local authority, the collection service for household waste or the store where you purchased the appliance. This appliance is marked in compliance with European Directive 2012/19/EU, Waste Electrical

and Electronic Equipment (WEEE) and with the Waste Electrical and Electronic Equipment regulations 2013 (as amended).

By ensuring this product is disposed of correctly, you will help prevent negative consequences for the environment and human health.

The symbol  on the product or on the accompanying documentation indicates that it should not be treated as domestic waste but must be taken to an appropriate collection center for the recycling of electrical and electronic equipment.

ENERGY SAVING TIPS

Make the most of your hot plate's residual heat by switching it off a few minutes before you finish cooking.

The base of your pot or pan should cover the hot plate completely; a container that is smaller than the hot plate will cause energy to be wasted.

Cover your pots and pans with tight-fitting lids while cooking and use as little water as possible. Cooking with the lid off will greatly increase energy consumption.

Use only flat-bottomed pots and pans.

DECLARATION OF CONFORMITY

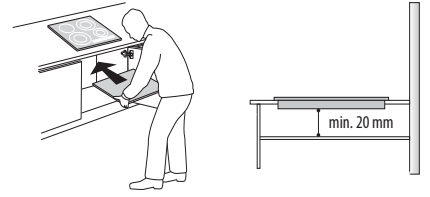
This appliance meets Ecodesign requirements of European Regulation 66/2014 and The Ecodesign for Energy-Related Products and Energy Information (Amendment) (EU Exit) Regulations 2019 in compliance with the European standard EN 60350-2.

The information related to low power mode of the appliance in accordance with Regulation (EU) 2023/826 can be found in the following link: <https://docs.emeaappliance-docs.eu>.



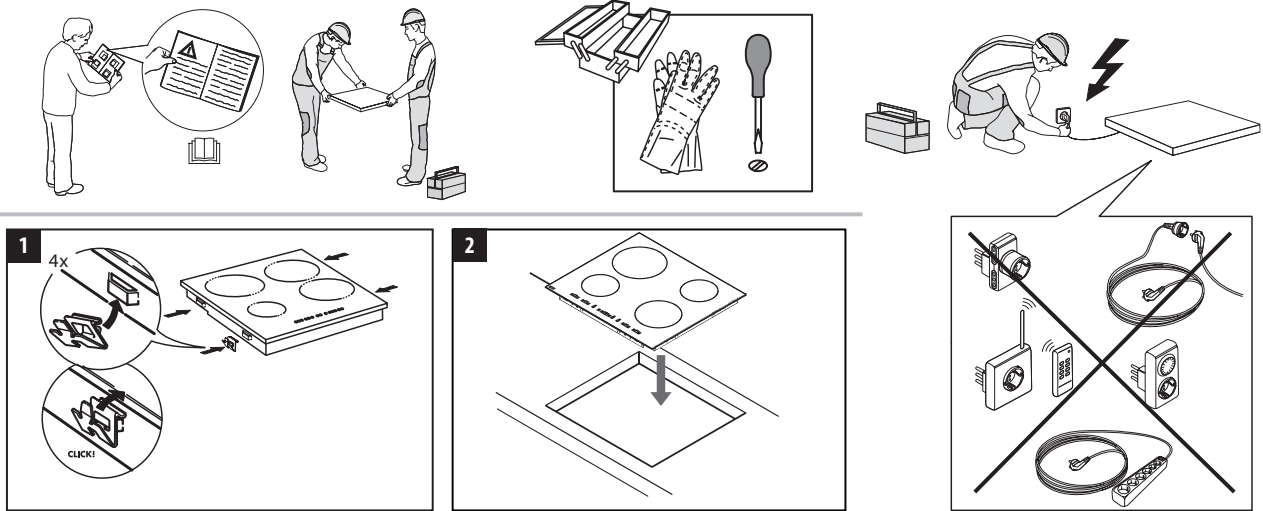
INSTALLATION

- The cooktop must be set into a worktop at least 20 mm deep.
- There must be nothing between the cooktop and the oven (cross rails, brackets, etc.).
- Make sure the power cord is long enough to allow convenient installation.
- The distance between the lower face of the glass ceramic hob and the cupboard or separating panel must be at least 20 mm.
- For built-in dimensions and installation see the picture in this paragraph.
- A minimum distance must be maintained between the hob and the hood above it. Please refer to the user manual of the hood for more informations.
- Apply the supplied gasket to the cooktop (unless it has already been fitted), after having cleaned its surface.
- **Do not install the cooktop near a dishwasher or washing machine, so that the electronic circuits do not come into contact with steam or moisture, which could damage them.**
- If an oven is installed beneath the cooktop, make sure that it is equipped with a cooling system. If the temperature of the electronic circuits exceeds the maximum permitted temperature, the cooktop will switch off automatically; in this case, wait for a few minutes until the internal temperature of the electronic circuits reaches a tolerable level, at which point it will be possible to switch the hob on again.

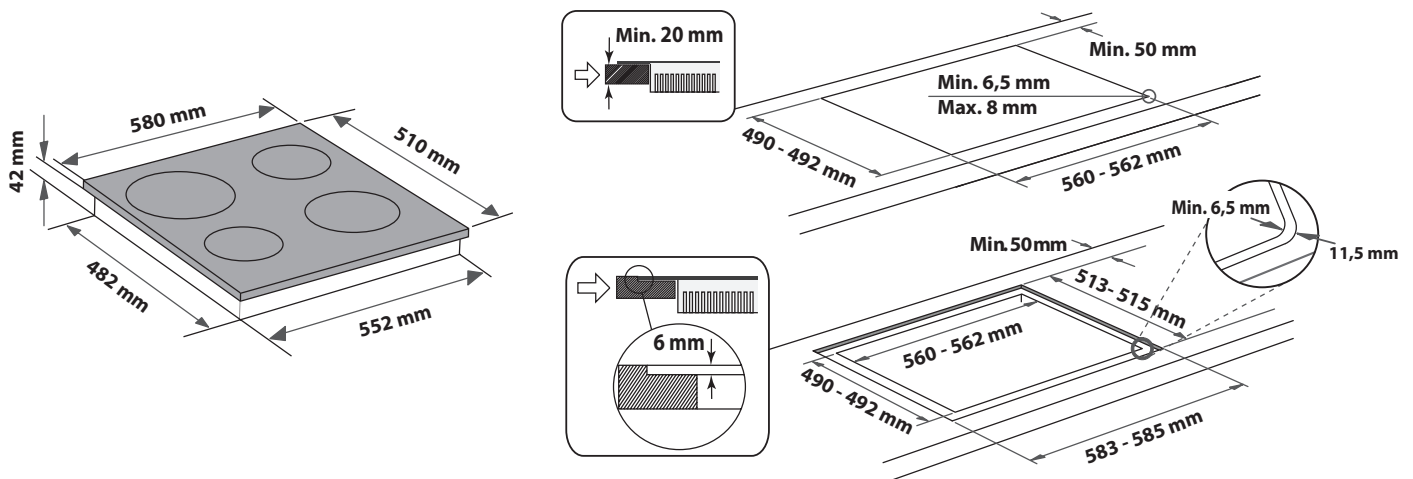
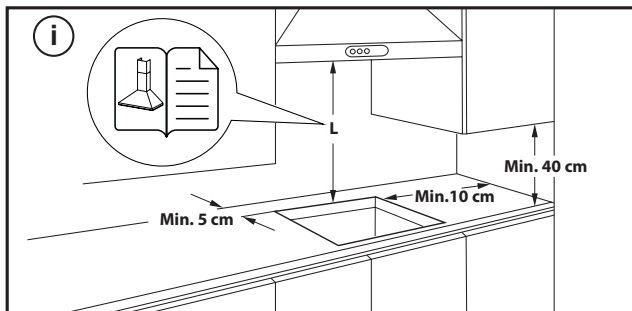


PLACING THE HOB

After the electrical connection (see the chapter "Electrical connection"), position each fixing clips on the dedicated slots on the lateral sides of the hob as shown in the picture. Then push the hob inside the cut out and check that the glass is flat and parallel to the worktop. The fixing clips are designed for every type of worktop material (wood, marble, etc.).



DIMENSIONS AND DISTANCES TO BE MAINTAINED



REMOVING THE HOB:

To remove the hob, first, disconnect it from the electric supply. It is strongly recommended to free the underneath part from the oven, drawer, separator, or other. It allows the technician to access the lower part of the hob to unfasten the four clips with a screwdriver, lift the hob and remove it, avoiding any worktop damage.

ELECTRICAL CONNECTION

Electrical connection must be made before connecting the appliance to the electricity supply.

The power cord is not included in the package - remember to prepare your own power cord.


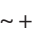

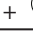
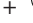
Installation must be carried out by qualified personnel who know the current safety and installation regulations. Specifically, installation must be carried out in compliance with the regulations of the local electricity supply company.

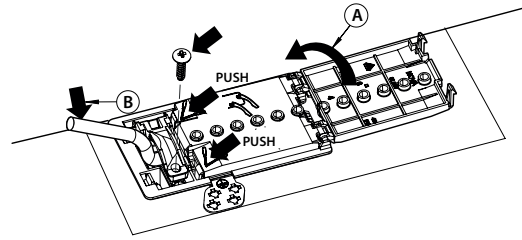
Make sure the voltage specified on the data plate located on the bottom of the appliance is the same as that of the home.

Regulations require that the appliance be earthed: use conductors (including the earth conductor) of the appropriate size only.

CONNECTION TO THE TERMINAL BLOCK

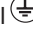
For the electrical connection, use an H05RR-F or H05V2V2-F cable as specified in the table below.

SUPPLY VOLTAGE	CONDUCTORS AMOUNT x SIZE
230V ~ + 	3 x 4 mm ²
230-240V ~ + 	3 x 4 mm ² (Australia only)
230V 3~ + 	4 x 1,5 mm ²
400V 3N~ + 	5 x 1,5 mm ²
400V 2N~ + 	4 x 1,5 mm ²



The appliance must be connected to the electricity supply by means of an all-pole disconnect switch with minimum contact gap of 3 mm.

ATTENTION: the power supply cable must be long enough to allow the cooktop to be removed from the worktop and must be positioned so as to avoid damage or overheating caused by contact with the base.

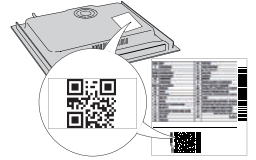
NOTE: the yellow/green earth wire must be connected to the terminal with the symbol  and must be longer than the other wires.

- Remove approx. 70 mm of the cable sheath from the power supply cable (**B**).
- Strip approx. 10 mm of sheath from the wires. Then insert the power supply cable into the cable clamp and connect the wires to the terminal block as indicated in the connection diagram placed close to the terminal block itself.
- Secure the power supply cable (**B**) by means of the cable clamp.
- Close the terminal board with the cover (**A**).
- After the electrical connection, fit the hob from the top and hook it to the support springs, according to the illustration.



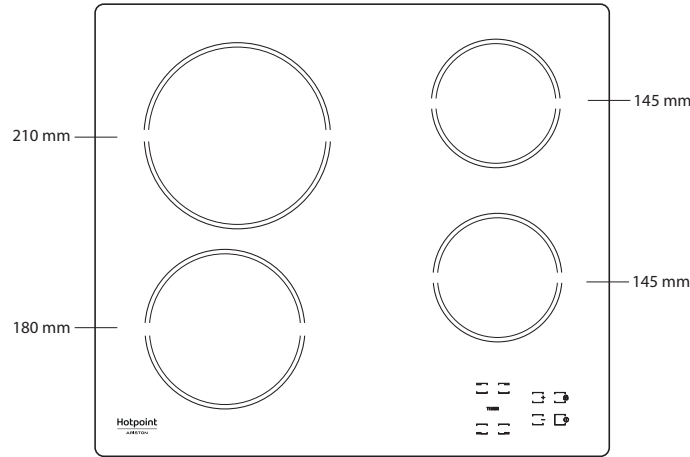
THANK YOU FOR BUYING A HOTPOINT/ARISTON PRODUCT
 In order to receive a more complete assistance, please register your product on www.hotpoint.eu/register.

PLEASE SCAN THE QR CODE ON YOUR APPLIANCE IN ORDER TO REACH MORE INFORMATION

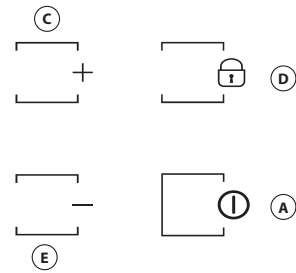
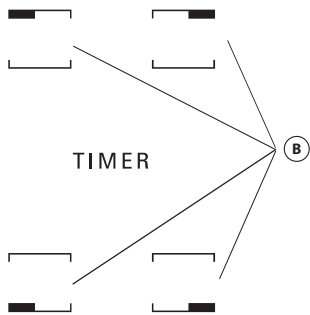


Before using the appliance carefully read the Safety Instruction.

PRODUCT DESCRIPTION



CONTROL PANEL



- A** On/Off
- B** Cooking zone and timer selection
- C-E** Heat setting increase and decrease
- D** Key lock

FIRST TIME USE

Upon the first installation, the control panel performs a functional test for about 1 second, after which it automatically switches to the "Key lock" function.

To deactivate the function, press and hold button "D"; an acoustic signal will sound, and the corresponding led will turn off.

NOTE: If a reset occurs, repeat the procedure described above.

DAILY USE



SWITCHING THE HOB ON/OFF

To switch the hob on, keep button "A" pressed for approx. 2 seconds. The 4 cooking zone displays show "0". If within 20 seconds none of the cooking zones is activated, the hob switches off automatically as a safety precaution.

SWITCHING ON AND ADJUSTING COOKING ZONES

Press one of the buttons "B" corresponding to the cooking zone you intend to use. Select the heat setting required with buttons "E" or "C". The other selectable cooking settings go from 1 to 9. Press buttons "+/-" at the same time to cancel all settings.

IMPORTANT: the control is deactivated 10 seconds after the heat setting has been selected.

To change the heat setting, first press the selection button "B" again, then proceed to change the setting, using buttons "E" or "C".

TIMER

To set the Timer function, select the desired cooking zone and power setting then press the cooking zone key again and a luminous dot will appear on the display of the timer-controlled cooking zone. The indication "00" blinks on the 2 displays. Press buttons "C" or "E" to set the time from 1 to 99.

IMPORTANT: after 10 seconds the timer displays will show the power setting of the other cooking zones.

To view the remaining cooking time, press the timer-controlled cooking zone key twice.

A FUNCTION

This function allows to automatically decrease the cooking zone power level from the highest value (level 9) to the one selected by the user for a later stage of cooking.

To activate this function first press the "+" button when level 9 is reached.

The display shows "A" and "9" flashes alternately with low brightness.

At this point, choose the desired power level (less than 9) with the "-" button.

"A" and selected level flash alternately with low brightness on the display. The function is activated once "A" and the selected level flash alternately with high brightness on the display.

Once "A" is no longer visible on the display (the "A" function switches off automatically after several minutes, depending on the set power level), the cooking process continues with lower power and the display shows only the selected power level.

N.B.: this function is not possible with level 9.



KEY LOCK

The Key lock function is switched on by holding down button "D" until a dot lights up above the function button. The control panel is locked except for the switching-off function. The function remains on even after the hob is switched off and on again and can be deactivated by pressing button "D" again until the dot above the function button goes off.

When the hob is off with the key lock activated to switch the hob on, first deactivate the key lock function by pressing button "D" again until the dot above the function button goes off.

The presence of water, liquid spilled from pots or any objects resting on the controls can accidentally activate or deactivate the Key lock function.



RESIDUAL HEAT INDICATOR

When the cooking zone is switched off, the residual heat indicator "H" remains on or flashes alternating with "0" until the temperature of the hob returns within safety levels.

IMPORTANT: The hob's safety features include an automatic switching off function. Prolonged use of the same heat setting triggers automatic switch-off of the cooking zone (for example, after around 1 hour at maximum heat setting, the cooking zone switches off).

IMPORTANT: To avoid a permanent damage the hob:

- do not use pots with bottoms that are not flat;
- do not use metal pots with enamelled bottom;
- do not place hot pots/pans over the control panel.

The hob is also equipped with the "auto shut off" function that switches off the cooking zone if no power level modification is done after a specific time frame depending on the power setting itself. In the table, there is the time duration of each power level.

POWER LEVEL	AUTO SHUT OFF TIME
0	30 seconds
1	10 hours
2	5 hours
3	5 hours
4	4 hours
5	3 hours
6	2 hours
7	2 hours
8	2 hours
9	1 hour

COOKING TABLE

POWER LEVEL		TYPE OF COOKING	LEVEL USE (indicating cooking experience and habits)
Maximum power	9	Boiling	Ideal for rapidly increasing the food temperature to fast boiling in the case of water or rapidly heating cooking liquids.
	9 – 8	Searing	Ideal for browning, starting to cook, frying frozen products, fast boiling.
High power	8 – 7	Browning – maintain boiling – grilling	Ideal for browning, maintaining a high boil, cooking, and grilling (short duration, 5-10 minutes).
	7 – 6	Frying – cooking – grilling	Ideal for maintaining a low boil, cooking and grilling (medium duration, 10-20 minutes), preheating, and frying.
Medium power	6 – 5	Gentle frying	Ideal for frying eggs, omelettes.
	5 – 4	Cooking – simmering – stewing	Ideal for prolonged cooking (rice, sauces, roasts, fish) with liquids (e.g., water, wine, broth, milk), creaming pasta.
	4 – 3	Thickening – creaming pasta	
Low power	2 – 1	Keeping food hot – creaming risottos	Ideal for keeping just-cooked food hot (e.g., sauces, soups, minestrone), creaming risottos and keeping serving dishes warm.
Minimum power	1	Defrosting	Ideal for defrosting small products and gently melting chocolate or butter.
Zero power	0	–	Hob in stand-by or off mode (possible end of cooking residual heat, indicated by an "H").

CLEANING AND MAINTENANCE

⚠ Disconnect the appliance from the power supply.

- Do not use steam cleaning equipment.
- Do not use abrasive sponges or scouring pads as they may damage the glass.
- After each use, clean the hob (when it is cool) to remove any deposits and stains from food residue.

- Sugar or foods with a high sugar content can damage the hob and must be immediately removed.
- Salt, sugar and sand could scratch the glass surface.
- Use a soft cloth, absorbent kitchen paper or a specific hob cleaner (follow the Manufacturer's instructions).
- Spills of liquid in the cooking zones can cause the pots to move or vibrate.
- After cleaning the hob, dry thoroughly.

Hotpoint

ARISTON

TROUBLESHOOTING

If the hob does not operate correctly, before calling the After-Sales Service, refer to the Troubleshooting Guide to determine the problem.

- Read and follow the instructions given in the section "Daily use".
- Check that the electricity supply has not been shut off.
- Dry the hob thoroughly after cleaning it.
- If a cooking zone has been selected and an "F" or an "ER" appear on the display followed by a number, contact the After Sales Service and inform them.
- If the error code is "F03", "ER03" or "E02", try to solve it by following these instructions:
 - If the error "E02" appears, please make sure you haven't been pressing buttons for more than 5 seconds, no object is on the HMI area and that it's clean and dry - when cleaning, please follow the "Cleaning and Maintenance" paragraph.
 - If the error "F03" appears, try turning the cooktop off and on again.
 - If the error "F04" appears, contact After Sales Service and let them know which code is displayed.

- If the hob does not work following intensive use, the hob internal temperature is too high. Wait a few minutes until the hob cools down.
- If the heater is not continuously on but switches on and off cyclically even if on the display the power level does not change, this is part of the normal functioning of the hob. The on/off cycle allows the power regulation of the heater and is completely normal. In some cases, thermal protection could switch off the heater for some time to avoid glass damage. Examples of such cases are: cooking a long time at a high power level, using pots smaller than the heating element, and not flat-bottomed pots.
- If the hob is emitting a brief sound without the customer pressing any buttons, please take care of any liquid spills on the HMI. Please dry the HMI and continue using the hob. If the hob has been switched off automatically, it can be caused by a liquid presence on HMI. Please dry the HMI and switch the hob back on.

If after the above checks the fault still occurs, get in touch with the nearest After Sales Service.

AFTER-SALES SERVICE

To receive a more complete assistance, please register your product on www.hotpoint.eu/register.

BEFORE CALLING THE AFTER-SALES SERVICE:

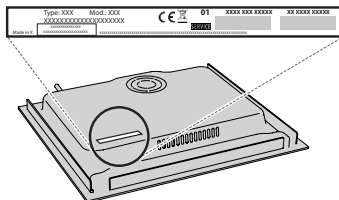
1. See if you can solve the problem by yourself with the help of the **TROUBLESHOOTING** suggestions.
2. Switch the appliance off and back on again to see if the fault persists.

IF AFTER THE ABOVE CHECKS THE FAULT STILL OCCURS, GET IN TOUCH WITH THE NEAREST AFTER-SALES SERVICE.

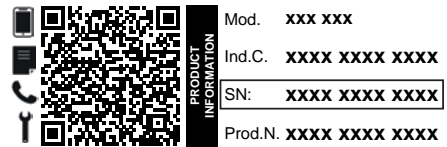
To receive assistance, call the number shown on the warranty booklet or follow the website's instructions on www.hotpoint.eu.

When contacting our Client After sales service, always specify:

- a brief description of the fault;
- the type and exact model of the appliance;



- the serial number (number after the word SN on the rating plate located under the appliance). The serial number is also indicated in the documentation;



- your full address;
- your telephone number.

If any repairs are required, please contact an authorized after-sales service (to guarantee that original spare parts will be used and repairs carried out correctly).

Policies, standard documentation and additional product information can be found by:

- Using QR code in your appliance;
- Visiting our website docs.hotpoint.eu;
- Alternatively, **contact our After-sales Service** (See phone number in the warranty booklet). When contacting our After-sales Service, please state the codes provided on your product's identification plate.



CONSIGNES DE SÉCURITÉ

IMPORTANT - À LIRE ET À RESPECTER

Avant d'utiliser l'appareil, lire attentivement les consignes de sécurité. Conservez-les à portée pour consultation ultérieure.

Le présent manuel et l'appareil en question contiennent des consignes de sécurité importantes qui doivent être observées en tout temps. Le Fabricant décline toute responsabilité si les consignes de sécurité ne sont pas respectées, en cas de mauvaise utilisation de l'appareil, ou d'un mauvais réglage des commandes.

⚠ **AVERTISSEMENT:** Ne pas utiliser la table de cuisson si la surface est cassée ou fissurée - risque de choc électrique.

⚠ **AVERTISSEMENT:** Risque d'incendie: Ne rangez aucun objet sur les surfaces de cuisson.

⚠ **MISE EN GARDE:** La cuisson doit être supervisée. Une cuisson de courte durée doit être supervisée en tout temps.

⚠ **AVERTISSEMENT:** Une cuisson sans surveillance sur une table de cuisson contenant de la graisse ou de l'huile peut s'avérer dangereuse - risque d'incendie. Ne tentez JAMAIS d'éteindre un feu avec de l'eau: au contraire, éteignez l'appareil, puis couvrez la flamme, par exemple avec un couvercle ou une couverture ignifuge.

⚠ N'utilisez pas la table de cuisson comme surface de travail ou support. Gardez les vêtements et autres matières inflammables loin de l'appareil jusqu'à ce que toutes les composantes soient complètement refroidies - un incendie pourrait se déclarer.

⚠ Les enfants en bas âge (0-3 ans) doivent être tenus à l'écart de l'appareil. Les jeunes enfants (3-8 ans) doivent être tenus à l'écart de l'appareil sauf s'ils se trouvent sous surveillance constante. Les enfants âgés de 8 ans et plus, ainsi que les personnes présentant des capacités physiques, sensorielles ou mentales réduites, ou ne possédant ni l'expérience ni les connaissances requises, peuvent utiliser cet appareil seulement s'ils sont supervisés, ou si une personne responsable leur a expliqué l'utilisation sécuritaire et les dangers potentiels de l'appareil. Ne laissez pas les enfants jouer avec l'appareil. Le nettoyage et l'entretien ne doivent pas être exécutés par des enfants sans surveillance.

⚠ **AVERTISSEMENT:** L'appareil, ainsi que ses parties accessibles, peuvent atteindre température élevée lors de l'utilisation. Veillez à ne pas toucher les éléments chauffants. Les enfants de moins de 8 ans doivent être tenus à l'écart de l'appareil, à moins d'être sous surveillance constante.

⚠ Les aliments ne doivent pas être laissés dans ou sur le produit pendant plus d'une heure avant ou après la cuisson.

USAGE AUTORISÉ

⚠ **MISE EN GARDE:** Cet appareil n'est pas conçu pour être utilisé avec un dispositif de mise en marche externe comme une minuterie ou un système de contrôle à distance.

⚠ Cet appareil est destiné à un usage domestique et peut aussi être utilisé dans les endroits suivants: cuisines pour le personnel dans les magasins, bureaux et autres

environnements de travail ; dans les fermes; par les clients dans les hôtels, motels, et autres résidences similaires.

⚠ Aucune autre utilisation n'est autorisée (p. ex. pour chauffer des pièces).

⚠ Cet appareil n'est pas conçu pour un usage professionnel. N'utilisez pas l'appareil en extérieur.

INSTALLATION

⚠ Deux personnes minimum sont nécessaires pour déplacer et installer l'appareil - risque de blessure. Utilisez des gants de protection pour le déballage et l'installation de l'appareil - vous risquez de vous couper.

⚠ L'installation, incluant l'alimentation en eau (selon le modèle), et les connexions électriques, ainsi que les réparations, doivent être exécutées par un technicien qualifié. Ne procédez à aucune réparation ni à aucun remplacement de pièce sur l'appareil autre que ceux spécifiquement indiqués dans le guide d'utilisation.

⚠ Gardez les enfants à l'écart du site d'installation. Après avoir déballé l'appareil, assurez-vous qu'il n'a pas été endommagé pendant le transport. En cas de problème, contactez le détaillant ou le service Après-vente le plus proche. Une fois installé, gardez le matériel d'emballage (sacs en plastique, parties en polystyrène, etc.) hors de la portée des enfants - ils pourraient s'étouffer. L'appareil ne doit pas être branché à l'alimentation électrique lors de l'installation - vous pourriez vous électrocuter.

⚠ Au moment de l'installation, assurez-vous que le câble d'alimentation n'est pas endommagé par l'appareil - risque d'incendie ou de choc électrique. Allumez l'appareil uniquement lorsque l'installation est terminée.

⚠ Découpez le contour du meuble avant d'y insérer l'appareil, et enlevez soigneusement tous les copeaux et la sciure de bois.

⚠ Si l'appareil n'est pas installé au-dessus d'un four, un panneau séparateur (non compris) doit être installé dans le compartiment sous l'appareil.

ALIMENTATION ÉLECTRIQUE

⚠ Il doit être possible de débrancher l'appareil de l'alimentation électrique en retirant la fiche de la prise de courant si elle est accessible, ou à l'aide d'un interrupteur multipolaire en amont de la prise de courant, conformément aux normes de sécurité électrique nationales.

⚠ Utilisez pas de rallonge, de prises multiples ou d'adaptateurs. Une fois l'installation terminée, l'utilisateur ne devra plus pouvoir accéder aux composantes électriques. N'utilisez pas l'appareil si vous êtes mouillé ou si vous êtes pieds nus. N'utilisez pas l'appareil si le câble d'alimentation ou la prise de courant est endommagé(e), si l'appareil ne fonctionne pas correctement, ou s'il a été endommagé ou est tombé.

⚠ Une installation utilisant une prise de câble électrique n'est pas autorisée sauf si le produit en est déjà équipé par le Fabricant.

⚠ Si le câble d'alimentation est endommagé, il doit être remplacé avec un câble identique par le fabricant, un

représentant du Service Après-vente, ou par toute autre personne qualifiée - vous pourriez vous électrocuter.

NETTOYAGE ET ENTRETIEN

⚠ **AVERTISSEMENT:** Assurez-vous que l'appareil est éteint et débranchez de l'alimentation électrique avant d'effectuer le nettoyage ou l'entretien; n'utilisez jamais un appareil de nettoyage à vapeur - risque de choc électrique.

⚠ Utilisez en aucun cas de produits abrasifs ou corrosifs, de produits chlorés ou de tampons à récurer.

MISE AU REBUT DES MATÉRIAUX D'EMBALLAGE


Les matériaux d'emballage sont entièrement recyclables comme l'indique le symbole de recyclage .

Les différentes parties de l'emballage doivent donc être jetées de manière responsable et en totale conformité avec les réglementations des autorités locales régissant la mise au rebut de déchets.

MISE AU REBUT DES APPAREILS ÉLECTROMÉNAGERS

Cet appareil est fabriqué à partir de matériaux recyclables ou réutilisables. Mettez-le au rebut en vous conformant aux réglementations locales en matière d'élimination des déchets. Pour toute information supplémentaire sur le traitement et le recyclage des appareils électroménagers, contactez le service local compétent, le service de collecte des déchets ménagers ou le magasin où vous avez acheté l'appareil. Cet appareil est marqué comme étant conforme à la Directive européenne 2012/19/EU, aux réglementations relatives aux Déchets d'équipement électrique et électronique (DEEE) et relatives aux Déchets d'équipement électrique et électronique de 2013 (tels qu'amendés).

En vous assurant que l'appareil est mis au rebut correctement, vous pouvez aider à éviter d'éventuelles conséquences négatives sur l'environnement et la santé humaine.

Le symbole  sur le produit ou sur la documentation qui l'accompagne indique qu'il ne doit pas être traité comme un déchet domestique, mais doit être remis à un centre de collecte spécialisé pour le recyclage des appareils électriques et électroniques.



CONSEILS RELATIFS À L'ÉCONOMIE D'ÉNERGIE

Tirez le meilleur de la chaleur résiduelle de votre plaque de cuisson en l'éteignant quelques minutes avant de terminer la cuisson.

La base de votre casserole ou de votre poêle couvre totalement la plaque chaude; un récipient plus petit que la plaque chaude provoquera un gaspillage d'énergie.

Couvrez vos casseroles et poêles avec des couvercles parfaitement ajustés et utilisez le moins d'eau que possible. La cuisson à découvert augmentera considérablement la consommation d'énergie.

Utilisez uniquement des casseroles et poêles à fond plat.

DÉCLARATION DE CONFORMITÉ

Cet appareil respecte les conditions requises d'écoconception de la Réglementation européenne 66/2014 et des Réglementations en matière d'écoconception pour les produits liés à l'énergie et les informations énergétiques (Amendement) (Sortie de l'UE) 2019, conformément à la norme européenne EN 60350-2.

Les informations relatives au mode basse consommation de l'appareil conformément au Règlement (UE) 2023/826 sont disponibles sur le lien suivant : <https://docs.emeaappliance-docs.eu>.



DÉPOSE DE LA TABLE DE CUISSON:

Pour enlever la table de cuisson, débranchez-la de l'alimentation électrique. Il est fortement recommandé de libérer la partie située en dessous de tout four, tiroir, séparateur ou autre. Cela permet au technicien d'accéder à la partie inférieure de la table de cuisson pour défaire les quatre clips avec un tournevis, de lever la table de cuisson et de l'enlever, en évitant tout dommage au plan de travail.

RACCORDEMENT ÉLECTRIQUE

Le branchement électrique doit être réalisé avant de brancher l'appareil au réseau d'alimentation.

Le câble électrique n'est pas inclus dans l'emballage - rappelez-vous de préparer votre propre câble électrique.






L'installation doit être effectuée par un personnel qualifié qui connaît les réglementations actuelles relatives à la sécurité et à l'installation. En particulier, l'installation doit être réalisée conformément aux réglementations de la société locale de distribution d'électricité.

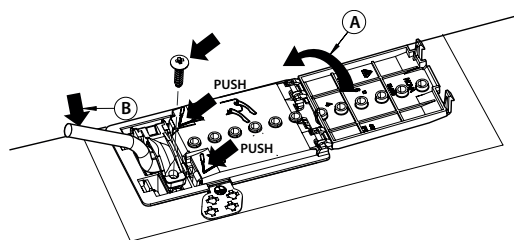
Assurez-vous que la tension spécifiée sur la plaque signalétique située au bas de l'appareil correspond à celle de votre logement.

La mise à la terre de l'appareil est obligatoire aux termes de la loi : utilisez uniquement des conducteurs (y compris le fil de terre) de section appropriée.

CONNEXION AU BORNIER

Pour le branchement électrique, utilisez un câble de type H05RR-F ou H05V2V2-F, comme indiqué dans le tableau ci-dessous.

TENSION D'ALIMENTATION	CONDUCTEURS NOMBRE x SECTION
230V ~ + 	3 x 4 mm ²
230-240V ~ + 	3 x 4 mm ² (pour l'Australie uniquement)
230V 3~ + 	4 x 1,5 mm ²
400V 3N~ + 	5 x 1,5 mm ²
400V 2N~ + 	4 x 1,5 mm ²



L'appareil doit être raccordé au secteur à l'aide d'un dispositif à coupure omnipolaire ayant une distance de 3 mm au moins entre les contacts.

IMPORTANT : Le cordon d'alimentation doit être suffisamment long pour que la table de cuisson puisse être retirée du plan de travail et doit être positionné de façon à écarter toute possibilité de dommage ou de surchauffe causée par un contact avec la base de l'appareil.

REMARQUE : le fil de terre jaune-vert doit être branché à la borne portant le symbole  et doit être plus long que les autres fils.

- Dénudez environ 70 mm de la gaine du cordon d'alimentation (B).
- Retirez environ 10 mm de la gaine des fils. Enfilez ensuite le cordon d'alimentation dans le collier de serrage et connectez les fils au bornier en suivant les indications du schéma à côté dudit bornier.
- Fixez le cordon d'alimentation (B) à l'aide du collier de serrage.
- Fermez le bornier avec le couvercle (A).
- Après avoir terminé les branchements électriques, introduisez la table de cuisson par le haut et accrochez-la aux ressorts de support, comme illustré sur l'image.



MERCI D'AVOIR CHOISI UN PRODUIT HOTPOINT/ARISTON
Afin de profiter d'une assistance plus complète, veuillez enregistrer votre produit sur www.hotpoint.eu/register.

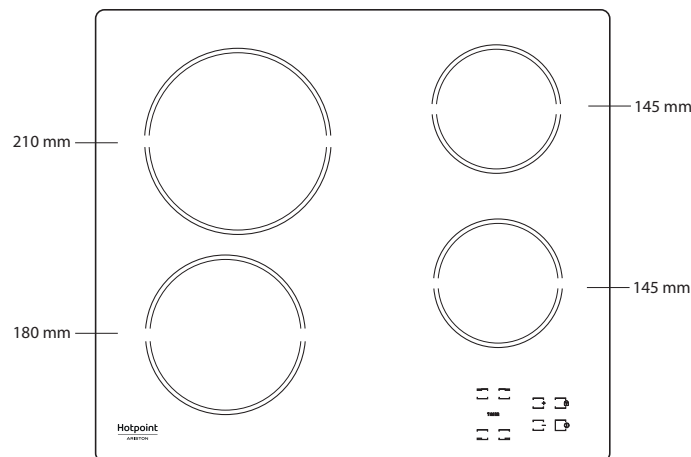


Lisez attentivement les consignes de sécurité avant d'utiliser l'appareil.

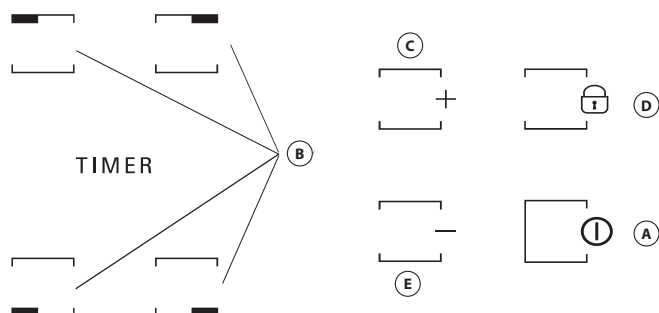
VEUILLEZ SCANNER LE QR CODE SUR VOTRE APPAREIL POUR OBTENIR PLUS D'INFORMATIONS



DESCRIPTION DU PRODUIT



PANNEAU DE COMMANDE



- A** Marche/Arrêt
- B** Sélection de la zone de cuisson et du réglage de la minuterie
- C-E** Augmentation et réduction du réglage de chaleur
- D** Verrouillage du panneau de commande

PREMIÈRE UTILISATION

A la première installation le bandeau effectuera un contrôle fonctionnel (environ 1 seconde) et se positionnera ensuite automatiquement sur la fonction "Verrouillage du panneau de commande".

Maintenir la pression sur le bouton "D" pour désactiver la fonction, le plan émettra un signal acoustique, le voyant de référence s'éteindra.

REMARQUE: En cas de reset du produit répéter la procédure indiquée.

USAGE QUOTIDIEN



MISE EN MARCHÉ/ARRÊT DE LA TABLE DE CUISSON

Pour mettre la table de cuisson sous tension, appuyez 2 secondes sur le bouton "A". "0" apparaît à l'afficheur des 4 foyers de cuisson. Si aucun des foyers de cuisson n'est activée durant les 20 secondes qui suivent, la table de cuisson s'éteint automatiquement pour des raisons de sécurité.

ACTIVATION ET RÉGLAGE DES FOYERS

Appuyez sur l'un des boutons "B" correspondant au foyer que vous souhaitez utiliser. Sélectionnez la puissance désirée en appuyant sur les boutons "E" ou "C". Les allures de la table de cuisson vont de 1 à 9. Appuyez sur les boutons "+/-" en même temps pour effacer tous les réglages.

REMARQUE IMPORTANTE: le contrôle est désactivé 10 secondes après que le niveau de cuisson a été sélectionné.

Pour modifier la puissance de cuisson, appuyez d'abord sur le bouton de sélection "B", puis modifiez le réglage à l'aide des boutons "E" ou "C".

TIMER (MINUTEUR)

Pour configurer la fonction Minuteur, sélectionnez un foyer et indiquez le niveau de puissance, appuyez de nouveau sur la touche du foyer: un point lumineux s'allume sur l'afficheur du foyer à temporiser. Les 2 afficheurs indiquent "00" clignotant appuyer les boutons "C" ou "E" pour modifier le temps de 1 à 99.

REMARQUE IMPORTANTE: au bout de 10 secondes, les afficheurs du minuteur visualiseront le niveau de puissance des autres foyers.

Pour visualiser le temps qui reste, appuyez deux fois sur le foyer temporisé.

FONCTION A

Cette fonction permet de diminuer automatiquement le niveau de puissance de la zone de cuisson de la valeur la plus élevée (niveau 9) à celle sélectionnée par l'utilisateur pour une phase ultérieure de cuisson.

Pour activer cette fonction, appuyez sur la touche "+" lorsque vous atteignez le niveau 9.

L'écran affiche "A" et "9" clignote en alternance avec une faible luminosité.

À ce stade, choisissez le niveau de puissance souhaité (moins de 9) avec la touche “-”.

“A” et le niveau sélectionné clignotent en alternance avec une faible luminosité sur l'écran.

La fonction est activée une fois que “A” et le niveau sélectionné clignotent en alternance avec une luminosité élevée sur l'écran.

Une fois que “A” n'est plus visible sur l'écran (la fonction “A” se coupe automatiquement après plusieurs minutes, en fonction du niveau de puissance établi), le processus de cuisson se poursuit avec une puissance inférieure et l'écran n'affiche que le niveau de puissance sélectionné.

N.B.: cette fonction n'est pas possible avec le niveau 9.



VERROUILLAGE DU PANNEAU DE COMMANDE

La fonction Verrouillage du panneau de commande est activée en appuyant sur le bouton “D” jusqu'à ce que le voyant rouge s'allume au-dessus du bouton de la fonction. Le panneau de commande est verrouillé, à l'exception de la fonction Arrêt. Cette fonction reste activée même si vous éteignez, puis rallumez la plaque de cuisson ; vous pouvez la désactiver en appuyant de nouveau sur la touche “D” jusqu'à ce que le point au-dessus de la fonction disparaisse.

Lorsque la table de cuisson est éteinte avec le verrouillage du panneau de commande activé, pour allumer la table de cuisson, il faut tout d'abord désactiver la fonction de verrouillage du panneau de commande en appuyant sur le bouton “D” jusqu'à ce que le point au-dessus de la touche de fonction s'éteigne.

La présence d'eau, d'éclaboussures provenant des casseroles, ou un objet appuyé sur les commandes peut accidentellement activer ou désactiver la fonction Verrouillage du panneau de commande.



INDICATEUR DE CHALEUR RÉSIDUELLE

Lorsque le foyer de cuisson a été mis hors tension, l'indicateur de chaleur résiduelle “H” reste allumé ou clignote en alternance avec “0” tant que la température dépasse les limites de sécurité.

REMARQUE IMPORTANTE: Pour des raisons de sécurité, la table de cuisson est équipée d'une fonction d'arrêt automatique. Une utilisation prolongée du même interrupteur de réglage de l'allure che chauffe éteint automatiquement la zone de cuisson (par exemple, après 1 heure environ à la puissance maximum, la zone de cuisson sera désactivée).

IMPORTANT: Pour éviter d'endommager la table de cuisson de manière permanente:

- n'utilisez pas de récipients dont les fonds ne sont pas plats;
- n'utilisez pas de récipients métalliques avec un fond émaillé;
- ne placez pas de récipients/casseroles chaudes sur le panneau de commande.

La table de cuisson est également équipée de la fonction “arrêt automatique” qui coupe la zone de cuisson si aucune modification du niveau de puissance n'est effectuée après un laps de temps spécifique qui dépend du réglage de puissance lui-même. Dans le tableau figure la durée de chaque niveau de puissance.

NIVEAU DE PUISSANCE	TEMPS D'ARRÊT AUTOMATIQUE
0	30 secondes
1	10 heures
2	5 heures
3	5 heures
4	4 heures
5	3 heures
6	2 heures
7	2 heures
8	2 heures
9	1 heure

TABLEAU DE CUISSON

NIVEAU DE PUISSANCE		TYPE DE CUISSON	UTILISATION DU NIVEAU (valeur indicative pouvant être adaptée en fonction de l'expérience et des habitudes de chacun)
Puissance maximale	9	Bouillir	Idéal pour augmenter rapidement la température des aliments, notamment pour faire bouillir de l'eau ou chauffer des liquides de cuisson rapidement.
	9 – 8	Grill	Idéal pour faire dorer, lancer une cuisson, faire frire des aliments surgelés, porter rapidement à ébullition.
Puissance élevée	8 – 7	Dorer – maintenir l'ébullition – griller	Idéal pour faire dorer, maintenir une ébullition vive, cuire et griller (courte durée, 5-10 minutes).
	7 – 6	Frيره – cuire – griller	Idéal pour maintenir une ébullition légère, cuire et griller (durée moyenne, 10-20 minutes), préchauffer et frire.
Puissance moyenne	6 – 5	Friture douce	Idéal pour faire cuire des œufs, des omelettes.
	5 – 4	Cuire – faire frémir – cuire à l'étouffée	Idéal pour une cuisson prolongée (riz, sauces, rôtis, poisson) avec des liquides (par ex. eau, vin, bouillon, lait), pour préparer la sauce des pâtes.
	4 – 3	Épaissir – Préparer la sauce des pâtes	
Basse puissance	2 – 1	Garder les aliments au chaud – préparer un risotto	Idéal pour maintenir les aliments juste cuits au chaud (par exemple sauces, soupes et minestrone), préparer du risotto et maintenir au chaud les plats.
Puissance minimum	1	Décongélation	Idéale pour ramollir le beurre, faire fondre délicatement le chocolat, décongeler des aliments de petite taille.
Puissance zéro	0	–	La table de cuisson est en veille ou éteinte (la présence de chaleur résiduelle à la fin de la cuisson est indiquée par un “H”).

NETTOYAGE ET ENTRETIEN

⚠ Débranchez l'appareil de l'alimentation électrique.

- N'utilisez pas d'appareil de nettoyage à vapeur.
- N'utilisez pas d'éponges abrasives ni de tampons à récurer car ils peuvent endommager le verre.
- Après chaque utilisation, laissez refroidir la table de cuisson et nettoyez-la de façon à éliminer les résidus d'aliments incrustés et les taches.

- Le sucre et les aliments très sucrés peuvent abîmer la table de cuisson et doivent être éliminés immédiatement.
- Le sel, le sucre et le sable peuvent rayer la surface en verre.
- Utilisez un chiffon doux, un essuie-tout, ou un nettoyant pour cuisinière pour nettoyer la table de cuisson (suivez les consignes du fabricant).
- Des déversements de liquide dans les zones de cuisson peuvent provoquer le déplacement ou la vibration des casseroles.
- Après le nettoyage de la table de cuisson, séchez-la soigneusement.

GUIDE DE DÉPANNAGE

En cas de mauvais fonctionnement de la table de cuisson, avant de contacter le Service Après-vente, consultez le chapitre Guide de dépannage afin d'identifier le problème.

- Il convient de lire et de suivre les instructions indiquées dans la section "Usage quotidien".
- Contrôlez que l'alimentation électrique n'a pas été coupée.
- Séchez soigneusement la table de cuisson après l'avoir nettoyée.
- Si un foyer a été sélectionné et que "F" ou "ER" suivi d'un numéro est visualisé sur l'afficheur, contactez le Service après-vente.
- Si le code inconvenient est "F03", "ER03" ou "E02", tentez de le résoudre en suivant les instructions ci-après :
 - Si l'erreur "E02" apparaît, assurez-vous de ne pas avoir appuyé pendant plus de 5 secondes sur une touche, qu'aucun objet ne se trouve sur la zone de l'IHM et qu'elle est propre et sèche - lors du nettoyage, merci de suivre les instructions du paragraphe Nettoyage et Entretien.
 - Si l'erreur "F03" apparaît, tentez de couper la table de cuisson, puis de la rallumer.
 - Si l'erreur "F04", contactez le Service après-vente et communiquez-leur le code qui est affiché.

- Si après avoir fonctionné pendant un laps de temps relativement long, la table de cuisson s'arrête, cela signifie que la température interne de celle-ci est trop élevée. Laissez refroidir la table de cuisson pendant quelques minutes.
- Si le chauffage n'est pas continuellement allumé mais s'allume et s'éteint de manière cyclique même si le niveau de puissance sur l'écran ne change pas, cela fait partie du fonctionnement normal de la table de cuisson. Le cycle marche/arrêt permet la régulation de puissance du chauffage et cela est totalement normal. Dans certains cas, une protection thermique pourrait couper le chauffage quelque temps pour éviter des dommages au verre. Des exemples de ces cas sont les suivants: une cuisson longue à un niveau de puissance élevé, en utilisant des casseroles plus petites que l'élément chauffant et des casseroles sans fond plat.
- Si la table de cuisson émet un bref signal sans que le client n'appuie sur une touche, faites attention aux éventuelles éclaboussures de liquide sur l'IHM. Essuyez l'IHM et continuez d'utiliser la table de cuisson. Si la table de cuisson a été automatiquement coupée, cela peut être provoqué par la présence de liquide sur l'IHM. Essuyez l'IHM et rallumez la table de cuisson.

Si le problème persiste après ces vérifications, contactez votre Service Après-vente le plus proche.

SERVICE APRÈS-VENTE

Afin de profiter d'une assistance complète, veuillez enregistrer votre appareil sur www.hotpoint.eu/register.

AVANT D'APPELER LE SERVICE APRÈS-VENTE:

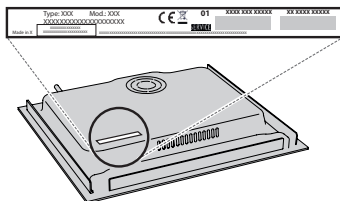
1. Vérifiez en premier lieu si vous pouvez remédier au problème à l'aide des suggestions de la section **GUIDE DE DÉPANNAGE**.
2. Éteignez puis rallumez l'appareil pour voir si le problème persiste.

SI LE PROBLÈME PERSISTE TOUJOURS APRÈS LES VÉRIFICATIONS PRÉCÉDENTES, CONTACTER LE SERVICE APRÈS-VENTE LE PLUS PRÈS.

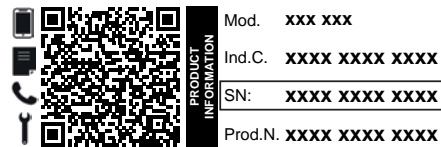
Pour obtenir du support, appeler le numéro disponible dans le livret de garantie ou suivez les consignes sur le site Web www.hotpoint.eu.

Lorsque vous contactez notre Service Après-vente, toujours préciser:

- une brève description du problème;
- le type et le modèle exact de l'appareil;



- le numéro de série (numéro après le mot SN sur la plaque signalétique située sous l'appareil). Le numéro de série est également indiqué dans la documentation;



- votre adresse complète ;
- votre numéro de téléphone.

Si des réparations sont nécessaires, contactez un service après-vente agréé (vous aurez ainsi la garantie que les pièces défectueuses seront remplacées par des pièces d'origine et que la réparation de votre appareil sera effectuée correctement).



Vous trouverez les politiques, la documentation standard et des informations supplémentaires sur le produit :

- En utilisant le QR Code dans votre appareil;
- En visitant notre site Internet docs.hotpoint.eu;
- Vous pouvez également **contacter notre service après-vente** (voir numéro de téléphone dans le livret de garantie). Lorsque vous contactez notre Service après-vente, veuillez indiquer les codes figurant sur la plaque signalétique de l'appareil.



NORME DI SICUREZZA

Prima di utilizzare l'apparecchio, leggere le seguenti norme di sicurezza. Conservarle per eventuali consultazioni successive.

Queste istruzioni e l'apparecchio sono corredati da importanti avvertenze di sicurezza, da leggere e osservare sempre. Il fabbricante declina qualsiasi responsabilità che derivi dalla mancata osservanza delle presenti istruzioni di sicurezza, da usi impropri dell'apparecchio o da errate impostazioni dei comandi.

⚠ **AVVERTENZA:** Se la superficie del piano cottura è incrinata, non utilizzare l'apparecchio per evitare il rischio di folgorazione.

⚠ **AVVERTENZA:** Pericolo di incendio: non appoggiare oggetti sulle superfici di cottura.

⚠ **ATTENZIONE:** Il processo di cottura deve essere sorvegliato. I processi di cottura brevi richiedono una supervisione continua.

⚠ **AVVERTENZA:** La cottura non sorvegliata su un piano di cottura con grasso e olio può essere pericolosa e generare incendi. Non tentare MAI di spegnere le fiamme con acqua: piuttosto, spegnere l'apparecchio e soffocare le fiamme, ad esempio con un coperchio o una coperta antincendio.

⚠ Non utilizzare il piano di cottura come superficie di lavoro o appoggio. Non avvicinare all'apparecchio stoffe o altri materiali infiammabili fino a che tutti i componenti non si siano completamente raffreddati per evitare il rischio di incendi.

⚠ Tenere i bambini di età inferiore a 3 anni lontani dall'apparecchio. Senza la sorveglianza costante di un adulto tenere anche l'apparecchio fuori dalla portata dei bambini di età compresa tra 3 e 8 anni. I bambini di età superiore agli 8 anni, le persone con ridotte capacità fisiche, sensoriali o mentali e le persone che non abbiano esperienza o conoscenza dell'apparecchio potranno utilizzarlo solo sotto sorveglianza, o quando siano state istruite sull'utilizzo sicuro dell'apparecchio e siano consapevoli dei rischi del suo utilizzo. Vietare ai bambini di giocare con l'apparecchio. I bambini non devono eseguire operazioni di pulizia e manutenzione dell'apparecchio senza la sorveglianza di un adulto.

⚠ **ATTENZIONE:** L'apparecchio e i suoi componenti accessibili possono diventare molto caldi durante l'uso. Fare attenzione a non toccare gli elementi riscaldanti. Tenere lontani i bambini di età inferiore agli 8 anni, a meno che non siano costantemente sorvegliati.

⚠ L'alimento non deve essere lasciato nel o sul prodotto per più di un'ora prima o dopo la cottura.

USO CONSENTITO

⚠ **ATTENZIONE:** l'apparecchio non è destinato ad essere messo in funzione mediante un dispositivo di commutazione esterno, ad esempio un temporizzatore, o attraverso un sistema di comando a distanza separato.

⚠ L'apparecchio è destinato all'uso domestico e ad applicazioni analoghe, quali: aree di cucina per il

IMPORTANTE: DA LEGGERE E OSSERVARE

personale di negozi, uffici e altri contesti lavorativi; agriturismi; camere di hotel, motel, bed & breakfast e altri ambienti residenziali.

⚠ Non sono consentiti altri usi (ad es., il riscaldamento di ambienti).

⚠ Questo apparecchio non è destinato ad applicazioni professionali. Non utilizzare l'apparecchio all'aperto.

INSTALLAZIONE

⚠ Per evitare il rischio di lesioni personali, l'apparecchio deve essere movimentato e installato da due o più persone. Per le operazioni di disimballaggio e installazione utilizzare i guanti protettivi per non procurarsi tagli.

⚠ L'installazione, comprendente anche eventuali raccordi per l'alimentazione idrica e i collegamenti elettrici, e gli interventi di riparazione devono essere eseguiti da personale qualificato. Non riparare o sostituire qualsiasi parte dell'apparecchio se non specificatamente richiesto nel manuale d'uso. Tenere i bambini a distanza dal luogo dell'installazione. Dopo aver disimballato l'apparecchio, controllare che l'apparecchio non sia stato danneggiato durante il trasporto. In caso di problemi, contattare il rivenditore o il Servizio Assistenza Clienti. A installazione completata, conservare il materiale di imballaggio (parti in plastica, polistirolo, ecc.) fuori della portata dei bambini per evitare il rischio di soffocamento. Per evitare rischi di scosse elettriche, prima di procedere all'installazione scollegare l'apparecchio dalla rete elettrica. Durante l'installazione, accertarsi che l'apparecchio non possa danneggiare il cavo di alimentazione e causare così rischi di scosse elettriche. Attivare l'apparecchio solo dopo avere completato la procedura di installazione.

⚠ Eseguire tutte le operazioni di taglio del mobile prima di inserire l'apparecchio, avendo cura di rimuovere trucioli o residui di segatura.


⚠ Se l'apparecchio non è installato sopra un forno, è necessario installare un pannello divisorio (non in dotazione) nel vano sottostante.

AVVERTENZE ELETTRICHE


⚠ Deve essere possibile scollegare l'apparecchio dalla rete elettrica disinserendo la spina, se questa è accessibile, o tramite un interruttore multipolare installato a monte della presa nel rispetto dei regolamenti elettrici vigenti; inoltre, la messa a terra dell'apparecchio deve essere conforme alle norme di sicurezza elettrica nazionali.


⚠ Non utilizzare cavi di prolunga, prese multiple o adattatori. Una volta terminata l'installazione, i componenti elettrici non devono più essere accessibili. Non utilizzare l'apparecchio quando si è bagnati oppure a piedi nudi. Non accendere l'apparecchio se il cavo di alimentazione o la spina sono danneggiati, se si osservano anomalie di funzionamento o se l'apparecchio è caduto o è stato danneggiato.

⚠ L'installazione tramite spina del cavo di alimentazione non è consentita a meno che il prodotto non sia già dotato di quella fornita dal Produttore.


 Se il cavo di alimentazione è danneggiato, deve essere sostituito con uno dello stesso tipo dal produttore, da un centro di assistenza autorizzato o da un tecnico qualificato per evitare situazioni di pericolo o rischi di scosse elettriche.

PULIZIA E MANUTENZIONE

 **AVVERTENZA:** Per evitare rischi di folgorazione, prima di qualsiasi intervento di manutenzione accertarsi che l'apparecchio sia spento e scollegato dall'alimentazione elettrica; inoltre, non usare in nessun caso pulitrici a getto di vapore.

 Non utilizzare prodotti abrasivi o corrosivi, prodotti a base di cloro o pagliette.

SMALTIMENTO DEL MATERIALE DI IMBALLAGGIO


Il materiale di imballaggio è riciclabile al 100% ed è contrassegnato dal simbolo del riciclaggio .

Le varie parti dell'imballaggio devono pertanto essere smaltite responsabilmente e in stretta osservanza delle norme stabilite dalle autorità locali.

SMALTIMENTO DEGLI ELETTRODOMESTICI

Questo prodotto è stato fabbricato con materiale riciclabile o riutilizzabile. Smaltire il prodotto rispettando le normative locali in materia. Per ulteriori informazioni sul trattamento, il recupero e il riciclaggio degli elettrodomestici, contattare l'ufficio locale competente, il servizio di raccolta dei rifiuti domestici o il negozio presso il quale il prodotto è stato acquistato. Questo apparecchio è contrassegnato in conformità alla direttiva europea 2012/19/UE, Rifiuti di apparecchiature elettriche ed elettroniche (RAEE) e alle norme sui rifiuti di apparecchiature elettriche ed elettroniche 2013 (e successive modifiche).

Assicurandosi che questo prodotto sia smaltito in modo corretto, l'utente contribuisce a prevenire le conseguenze negative per l'ambiente e la salute.

Il simbolo  sul prodotto o sulla documentazione di accompagnamento indica che questo apparecchio non deve essere smaltito come rifiuto domestico, bensì conferito presso un centro di raccolta preposto al ritiro delle apparecchiature elettriche ed elettroniche.

CONSIGLI PER IL RISPARMIO ENERGETICO

Per sfruttare al meglio il calore residuo delle piastre, spegnerle alcuni minuti prima del termine della cottura.

La base della pentola o del tegame dovrebbe coprire completamente la piastra di cottura; un recipiente con la base più piccola del diametro della piastra causerà uno spreco di energia.

Durante la cottura, coprire pentole e tegami con un coperchio che chiuda bene il recipiente e usare la minima quantità d'acqua possibile. La cottura senza coperchio comporta un consumo di energia notevolmente superiore.

Utilizzare solo pentole e padelle con fondo piatto.

DICHIARAZIONE DI CONFORMITÀ

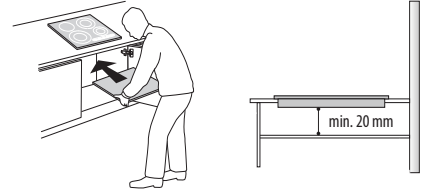
Questo apparecchio soddisfa i requisiti di Ecodesign del regolamento europeo 66/2014 e l'Ecodesign per i prodotti connessi all'energia e le informazioni sull'energia (emendamento) (Uscita UE) Regolamenti 2019 in conformità con la norma europea EN 60350-2.

Le informazioni relative alla modalità a basso consumo dell'apparecchio in conformità con il Regolamento (UE) 2023/826 sono disponibili al seguente link: <https://docs.emeaappliance-docs.eu>.



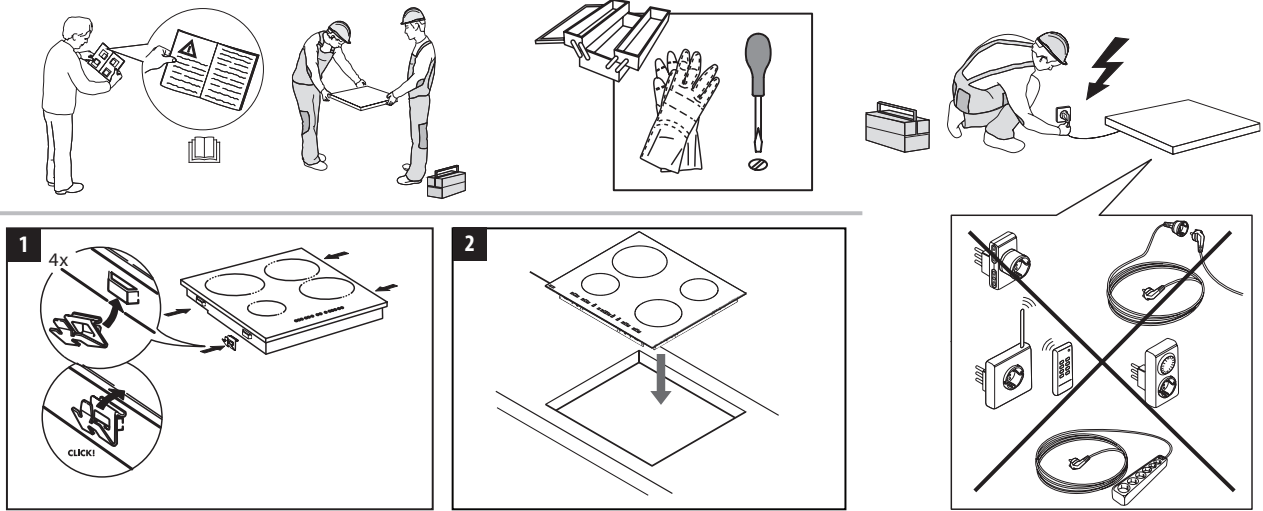
INSTALLAZIONE

- **Incassare il piano di cottura in un piano di lavoro avente uno spessore almeno di 20 mm.**
- **Non interporre materiali fra piano di cottura e forno (traversine, squadrette, ecc.).**
- **Assicurarsi che il cavo di alimentazione sia sufficientemente lungo da consentire una comoda installazione.**
- **La distanza tra la parte inferiore del piano di cottura ed il mobile o pannello divisorio deve essere di almeno 20 mm.**
- Per le dimensioni del foro di incasso e le istruzioni di installazione, fare riferimento alle figure di questo paragrafo.
- È necessario osservare una distanza minima tra il piano di cottura e la cappa sovrastante. Per ulteriori informazioni, fare riferimento al manuale d'uso della cappa.
- Applicare la guarnizione fornita in dotazione attorno al piano cottura (a meno che non sia già stata installata), dopo averne pulito la superficie.
- **Non installare il piano di cottura vicino alla lavastoviglie o lavatrice, affinché i circuiti elettronici non vengano a contatto con vapore ed umidità e quindi si danneggino.**
- Se sotto il piano di cottura viene installato un forno, accertarsi che sia provvisto di sistema di raffreddamento. Se la temperatura dei circuiti elettronici supera il valore massimo consentito, il piano di cottura si disattiva automaticamente; in questo caso, attendere alcuni minuti affinché la temperatura interna dei circuiti elettronici raggiunga un livello tollerabile, dopodiché sarà possibile accendere nuovamente il piano di cottura.

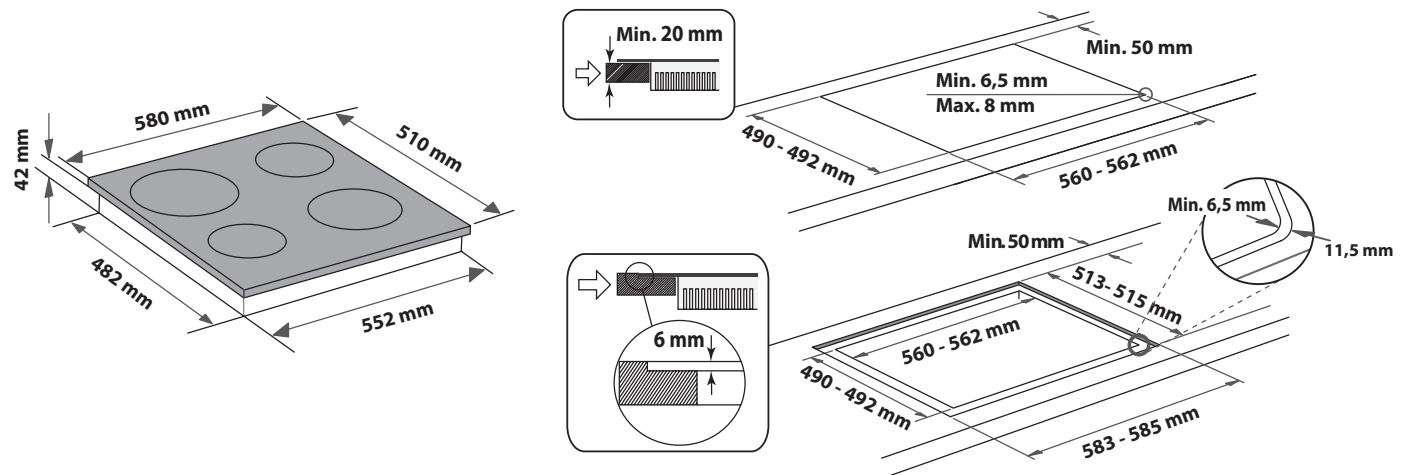
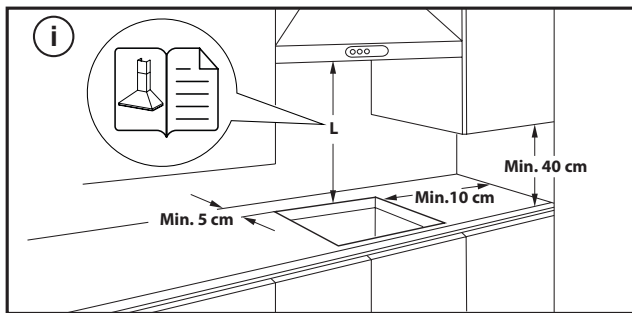


POSIZIONAMENTO DEL PIANO DI COTTURA

Dopo avere eseguito il collegamento elettrico (vedere la sezione "Collegamento elettrico"), posizionare ciascun fermo di fissaggio negli appositi agganci sui lati del piano di cottura, come indicato in figura. Spingere il piano di cottura nel foro e assicurarsi che il vetro sia orizzontale e parallelo al piano di lavoro. I fermi di fissaggio sono adatti per piani di lavoro di qualsiasi materiale (legno, marmo, ecc.).



DIMENSIONI E DISTANZE DA RISPETTARE



RIMOZIONE DEL PIANO COTTURA:

Per rimuovere il piano, prima di tutto scollegarlo dalla rete elettrica. Si consiglia vivamente di liberare la parte sottostante dal forno, cassetto, separatore o altro. Questo consente al tecnico di accedere alla parte inferiore del piano per sganciare le quattro clip con un cacciavite, sollevare il piano e rimuoverlo, evitando danni al piano di lavoro.

COLLEGAMENTO ELETTRICO

Il collegamento elettrico deve essere eseguito prima di collegare l'apparecchio alla rete.

Il cavo di alimentazione non è incluso nella confezione: ricorda di preparare il tuo cavo di alimentazione.

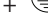
L'installazione deve essere eseguita da personale qualificato a conoscenza delle norme vigenti in materia di sicurezza e installazione. Nella fattispecie, l'installazione deve essere eseguita in ottemperanza alle direttive della locale società di fornitura elettrica.

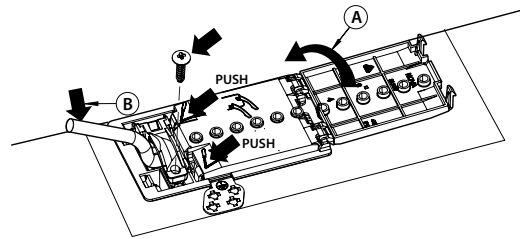
Controllare che la tensione indicata sulla targhetta matricola nella parte inferiore dell'apparecchio sia la stessa della rete elettrica domestica.

La messa a terra dell'apparecchio è obbligatoria per legge; utilizzare solo conduttori delle dimensioni appropriate (incluso il conduttore di terra).

CONNESSIONE ALLA MORSETTIERA

Per il collegamento elettrico, utilizzare un cavo H05RR-F o H05V2V2-F, come specificato nella tabella seguente.

TENSIONE DI ALIMENTAZIONE	CONDUTTORI QUANTITÀ x DIMENSIONE
230V ~ + 	3 x 4 mm ²
230-240V ~ + 	3 x 4 mm ² (solo per Australia)
230V 3~ + 	4 x 1,5 mm ²
400V 3N~ + 	5 x 1,5 mm ²
400V 2N~ + 	4 x 1,5 mm ²



Il collegamento alla rete elettrica deve essere effettuato tramite un sezionatore onnipolare avente una distanza minima fra i contatti di 3 mm.

ATTENZIONE: il cavo di alimentazione deve essere sufficientemente lungo da permettere la rimozione del piano cottura dal piano di lavoro e deve essere posizionato in modo da non essere danneggiato o surriscaldato dal contatto con la base.

NOTA: il cavo di terra giallo/verde deve essere collegato al morsetto con il simbolo  e deve essere più lungo degli altri cavi.

- Rimuovere ca. 70 mm di guaina dal cavo di alimentazione (B).
- Rimuovere circa 10 mm di guaina dai fili. Inserire il cavo di alimentazione nel morsetto e collegare i fili alla morsettiera come indicato nello schema di connessione accanto alla morsettiera stessa.
- Fissare il cavo di alimentazione (B) con il fermacavo.
- Chiudere la morsettiera con il coperchio (A).
- Dopo aver eseguito il collegamento elettrico, montare il piano cottura dall'alto e agganciarlo alle molle di supporto come da figura.



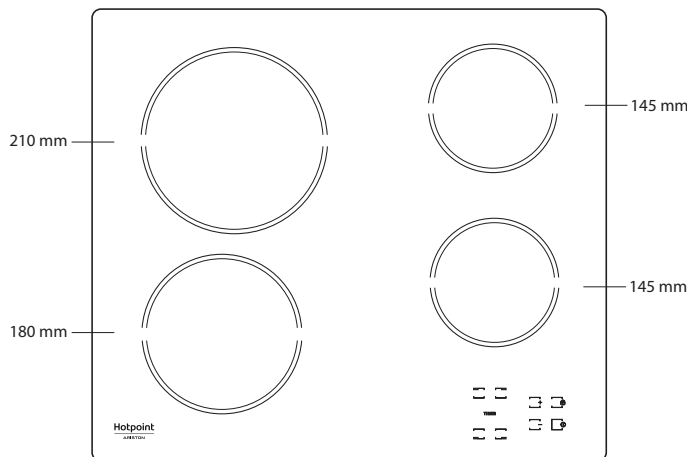
GRAZIE PER AVERE ACQUISTATO UN PRODOTTO HOTPOINT/ARISTON
Per ricevere un'assistenza più completa, registrare il prodotto su www.hotpoint.eu/register.

SI PREGA DI SCANSIONARE IL CODICE QR SUL PROPRIO APPARECCHIO PER OTTENERE MAGGIORI INFORMAZIONI

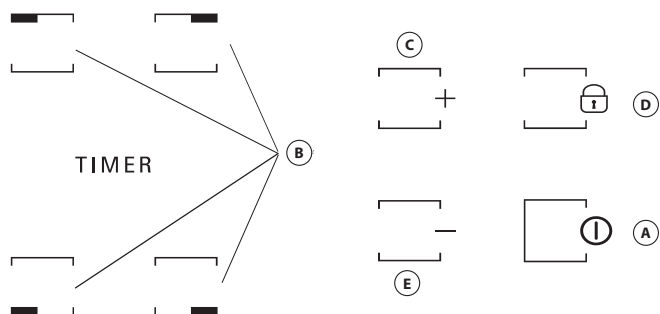


Prima di utilizzare l'apparecchio leggere attentamente le istruzioni di sicurezza.

DESCRIZIONE PRODOTTO



PANNELLO DI CONTROLLO



- A** Acceso/Spento
- B** Selezione zone di cottura e timer
- C-E** Aumento e diminuzione livello di potenza
- D** Blocco dei tasti

PRIMO UTILIZZO

Alla prima installazione, il pannello comandi effettua una verifica funzionale di circa 1 secondo, quindi si posiziona in automatico sulla funzione "Blocco tasti".

Per disattivare questa funzione, premere a lungo il tasto "D"; viene emesso un segnale acustico e il led corrispondente si spegne.

NOTA: se il prodotto dovesse resettarsi, ripetere la procedura sopra descritta.

USO QUOTIDIANO



ACCENSIONE/SPEGNIMENTO DEL PIANO DI COTTURA

Per accendere il piano cottura, premere il tasto "A" per circa 2 secondi. Nei 4 display delle zone di cottura appare l'indicazione "0". Se nessuna delle zone di cottura viene attivata entro 20 secondi, il piano di cottura si spegne automaticamente come misura di sicurezza.

ACCENSIONE E REGOLAZIONE DELLE ZONE DI COTTURA

Premere uno dei tasti "B" corrispondenti alla zona di cottura che si intende utilizzare. Selezionare il livello di potenza richiesto con i tasti "E" o "C". Le impostazioni disponibili vanno da 1 a 9. Premere simultaneamente i tasti "+/-" per annullare tutte le impostazioni.

IMPORTANTE: una volta impostato il livello di potenza desiderato, il comando si disattiva dopo 10 secondi.

Per modificare la potenza, sarà necessario premere nuovamente il tasto di selezione "B" e modificare la potenza premendo i tasti "E" o "C".

TIMER

Per impostare la funzione Timer selezionare la zona di cottura desiderata e indicare il livello di potenza, premere nuovamente il tasto della zona di cottura, si accende un punto luminoso nel display della zona da temporizzare. Sui due display lampeggia l'indicazione "00". Premere i tasti "C" o "E" per regolare il tempo da 1 a 99.

IMPORTANTE: dopo 10 secondi i display del timer visualizzeranno il livello di potenza delle altre zone di cottura.

Per visualizzare il tempo rimasto premere due volte la zona di cottura temporizzata.

FUNZIONE A

Questa funzione permette di abbassare automaticamente il livello di potenza della zona di cottura dal valore più alto (livello 9) a quello selezionato dall'utente per una successiva fase di cottura.

Per attivare questa funzione premere il tasto "+" quando si raggiunge il livello 9. Il display mostra "A" e "9" che lampeggiano alternativamente a bassa luminosità.

A questo punto, scegliere il livello di potenza desiderato (inferiore a 9) con il tasto “-”.

“A” e il livello selezionato lampeggiano alternativamente con bassa luminosità sul display.

La funzione si attiva una volta che “A” e il livello selezionato lampeggiano alternativamente con alta luminosità sul display.

Quando “A” non è più visibile sul display (la funzione “A” si spegne automaticamente dopo alcuni minuti, a seconda del livello di potenza impostato), la cottura prosegue con potenza inferiore e il display mostra solo il livello di potenza selezionato.

N.B.: questa funzione non è disponibile con il livello 9.



BLOCCO TASTI

Per attivare la funzione Blocco tasti, premere il tasto “D” finché sopra il tasto della funzione si accende un puntino. Il pannello di controllo è bloccato ad eccezione della funzione di spegnimento. La funzione rimane attiva anche dopo lo spegnimento e la riaccensione del piano e può essere disattivata premendo nuovamente il pulsante “D” fino allo spegnimento del puntino sopra il pulsante funzione.

Quando il piano è spento con il blocco del pannello di controllo attivato per accendere il piano, disattivare prima la funzione di blocco del pannello di controllo premendo nuovamente il pulsante “D” fino a quando il puntino sopra il pulsante funzione si spegne.

La presenza di acqua, liquido fuoriuscito dalle pentole o oggetti di qualsiasi genere appoggiati sui comandi possono provocare l’attivazione o la disattivazione involontaria del blocco tasti.



INDICATORE CALORE RESIDUO

Quando si spegne la zona di cottura, l’indicatore di calore residuo “H” rimane acceso o lampeggia, in alternanza con l’indicazione “0”, finché la temperatura del piano cottura torna a livelli di sicurezza.

IMPORTANTE: La dotazione di sicurezza del piano di cottura comprende una funzione di spegnimento automatico. L’uso prolungato della stessa impostazione di potenza fa scattare lo spegnimento automatico della zona di cottura (ad esempio, dopo al massimo 1 ora di attivazione alla potenza massima, la zona di cottura si spegne).

IMPORTANTE: Per evitare danni permanenti al piano di cottura:

- non utilizzare pentole con il fondo non piatto;
- non utilizzare pentole in metallo con il fondo smaltato;
- con collocare pentole/tegami caldi sul pannello comandi.

Il piano di cottura è inoltre dotato di una funzione di arresto automatico che spegne la zona di cottura se non si modifica il livello di potenza dopo un periodo di tempo specifico, in base all’impostazione di potenza stessa. Nella tabella è indicata la durata di tempo di ciascun livello di potenza.

LIVELLO DI POTENZA	TEMPO DI ARRESTO AUTOMATICO
0	30 secondi
1	10 ore
2	5 ore
3	5 ore
4	4 ore
5	3 ore
6	2 ore
7	2 ore
8	2 ore
9	1 ora

TABELLA DI COTTURA

LIVELLO DI POTENZA		TIPO DI COTTURA	UTILIZZO LIVELLO (l’indicazione affianca l’esperienza e le abitudini di cottura)
Massima potenza	9	Bollire	Ideale per aumentare rapidamente la temperatura degli alimenti al punto di bollitura, nel caso di acqua, o per riscaldare rapidamente i liquidi di cottura.
	9 – 8	Scottare	Ideale per dorare, iniziare a cuocere, friggere alimenti congelati, rapida bollitura.
Alta potenza	8 – 7	Rosolare – mantenere l’ebollizione – grigliare	Ideale per soffriggere, mantenere al massimo il bollire, cuocere e grill (durata breve, 5-10 minuti).
	7 – 6	Friggere – cuocere – grigliare	Ideale per mantenere un basso bollire, cuocere e grigliare (durata media, 10-20 minuti), preriscaldare e friggere.
Media potenza	6 – 5	Frittura delicata	Ideale per friggere uova, frittate.
	5 – 4	Cuocere – cuocere a fuoco lento – stufare	Ideale per cotture prolungate (riso, salse, arrosti, pesce) con liquidi (es. acqua, vino, brodo, latte), mantecare la pasta.
	4 – 3	Addensare – mantecare la pasta	
Low power	2 – 1	Mantenere il cibo caldo – mantecare i risotti	Ideale per mantenere in caldo cibi appena cotti (es. salse, zuppe, minestrone), mantecare risotti e tenere in caldo i piatti da portata.
Bassa potenza	1	Scongellare	Ideale per scongelare piccoli prodotti e sciogliere dolcemente cioccolato o burro.
Potenza zero	0	-	Piano in modalità stand-by o spento (possibile calore residuo di fine cottura, indicato da una “H”).

PULIZIA E CURA

⚠ Scollegare l'apparecchio dall'alimentazione.

- Non usare pulitrici a getto di vapore.
- Non utilizzare spugne abrasive o pagliette in quanto possono rovinare il vetro.
- Dopo ciascun utilizzo, pulire il piano di cottura (una volta raffreddato) per rimuovere eventuali depositi e macchie dovuti a residui di cibo.
- Lo zucchero e gli alimenti ad elevato contenuto di zuccheri danneggiano il piano di cottura e devono essere immediatamente rimossi.

- Sale, zucchero e sabbia possono graffiare la superficie in vetro.
- Utilizzare un panno morbido, carta assorbente da cucina o uno specifico detergente per piani di cottura (seguire le istruzioni del produttore).
- Le fuoriuscite di liquidi sulle zone di cottura possono causare spostamenti o vibrazioni delle pentole.
- Dopo aver pulito il piano cottura, asciugarlo accuratamente.

RISOLUZIONE DEI PROBLEMI

Se il piano cottura non funziona correttamente, prima di chiamare l'assistenza esaminare questa guida rapida per individuare il problema.

- Leggere e seguire le istruzioni riportate nella sezione "Uso quotidiano".
- Controllare che non vi siano interruzioni nella rete elettrica.
- Dopo avere pulito il piano di cottura, asciugarlo accuratamente.
- Se è stata selezionata una zona di cottura e sul display compare una "F" o una "ER" seguita da un numero, contattare il Servizio Assistenza e informarlo.
- Se il codice di errore è "F03", "ER03" o "E02", provare a risolverlo seguendo queste istruzioni:
 - Se compare l'errore "E02", assicurarsi di non aver premuto i pulsanti per più di 5 secondi, che non vi siano oggetti nell'area HMI e che sia pulita e asciutta - per la pulizia seguire il paragrafo "Pulizia e Cura".
 - Se compare l'errore "F03", provare a spegnere e riaccendere il piano cottura.
 - Se viene visualizzato l'errore "F04", contattare il Servizio Assistenza e far sapere quale codice viene visualizzato.
- Se dopo un uso intensivo il piano non funziona significa che la temperatura all'interno del piano di cottura è troppo elevata. Attendete qualche minuto che il piano si raffreddi.

- Il fatto che il riscaldatore si spegne e si accende ciclicamente anche se sul display il livello di potenza non cambia, fa parte del normale funzionamento del piano di cottura. Il ciclo di accensione/spengimento consente la regolazione della potenza del riscaldatore ed è completamente normale. In alcuni casi una protezione termica può spegnere il riscaldatore per un determinato periodo di tempo per evitare danni al vetro. Esempi di tali casi sono i seguenti: cottura per un lungo periodo di tempo a un livello elevato di potenza, utilizzo di pentole più piccole dell'elemento riscaldante, utilizzo di pentole dal fondo non piatto.
- Se il piano di cottura emette un breve suono senza che il cliente prema alcun pulsante, controllare che non vi siano eventuali fuoriuscite di liquidi sull'HMI. In tal caso, asciugare l'HMI e continuare a utilizzare il piano cottura. Lo spegnimento automatico del piano può essere causato dalla presenza di liquido sull'HMI. Asciugare l'HMI e riaccendere il piano cottura.

Se dopo le suddette verifiche il problema persiste, contattare il Servizio Assistenza più vicino.

SERVIZIO ASSISTENZA

Per ricevere un'assistenza più completa, registrare il prodotto su www.hotpoint.eu/register.

PRIMA DI CHIAMARE IL SERVIZIO ASSISTENZA:

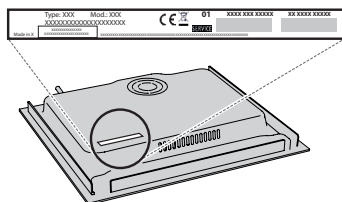
1. Verificare se non sia possibile eliminare da soli i guasti. Vedere "RISOLUZIONE DEI PROBLEMI".
2. Spegner e riaccendere l'apparecchio per assicurarsi che l'inconveniente sia stato eliminato.

SE DOPO I SUDDETTI CONTROLLI IL PROBLEMA PERSISTE, CONTATTARE IL SERVIZIO ASSISTENZA PIÙ VICINO.

Per ricevere assistenza, chiamare il numero indicato sul libretto di garanzia o seguire le istruzioni sul sito web www.hotpoint.eu.

Quando si contatta il nostro servizio assistenza, indicare sempre:

- una breve descrizione del guasto;
- il tipo e il modello esatti del prodotto;



- il numero di serie (è il numero che si trova dopo la parola SN sulla targhetta matricola posta sotto l'apparecchio); Il numero di serie è indicato anche nella documentazione;



- il proprio indirizzo completo;
- il proprio numero di telefono.

Qualora si renda necessaria una riparazione, rivolgersi ad un centro del Servizio Assistenza (a garanzia dell'utilizzo di pezzi di ricambio originali e di una corretta riparazione).

Per le linee guida, la documentazione standard e altre informazioni sui prodotti:

- Utilizzando il codice QR nel proprio apparecchio;
- Visitando il nostro sito web docs.hotpoint.eu;
- Oppure, **contattare il Servizio Assistenza Tecnica** (al numero di telefono riportato sul libretto di garanzia). Prima di contattare il Servizio Assistenza Clienti, prepararsi a fornire i codici riportati sulla targhetta matricola del prodotto.



INSTRUCCIONES DE SEGURIDAD

ES IMPORTANTE QUE LEA Y SIGA LAS SIGUIENTES RECOMENDACIONES

Antes de usar el aparato, lea atentamente estas instrucciones de seguridad. Téngalas a mano para consultarlas más adelante.

Este manual y el propio aparato contienen advertencias de seguridad que se deben leer y seguir en todo momento. El fabricante declina cualquier responsabilidad derivada del incumplimiento de estas instrucciones de seguridad, del uso indebido del aparato o del ajuste incorrecto de los mandos.

⚠ **ADVERTENCIA:** Si la superficie de la placa está agrietada, no utilice el aparato, hay riesgo de descarga eléctrica.

⚠ **ADVERTENCIA:** Peligro de incendio: no deje ningún objeto sobre las superficies de cocción.

⚠ **PRECAUCIÓN:** El proceso de cocción tiene que ser supervisado. Un proceso de cocción corto tiene que ser supervisado continuamente.

⚠ **ADVERTENCIA:** Cocinar con grasa o aceite en una placa sin vigilancia puede resultar peligroso, hay riesgo de incendio. No intente NUNCA apagar un incendio con agua: en lugar de ello, apague el aparato y luego cubra las llamas con una tapa o una manta ignífuga p. ej.

⚠ No utilice la placa como superficie de trabajo o apoyo. Mantenga los paños y otros materiales inflamables alejados del aparato hasta que todos los componentes se hayan enfriado por completo; hay riesgo de incendio.

⚠ Los niños muy pequeños (0-3 años) deben mantenerse alejados del aparato. Los niños pequeños (3-8 años) deben mantenerse alejados del aparato, a menos que estén bajo vigilancia constante. Tanto los niños a partir de 8 años como las personas cuyas capacidades físicas, sensoriales o mentales estén disminuidas o que carezcan de la experiencia y conocimientos necesarios pueden utilizar este aparato si reciben la supervisión o las instrucciones necesarias para utilizarlo de forma segura y comprenden los riesgos a los que se exponen. Los niños no deberán jugar con el aparato. Los niños no deben encargarse de la limpieza y el mantenimiento, a menos que estén supervisados.

⚠ **ADVERTENCIA:** El aparato y las partes accesibles se calientan durante el uso. Es necesario prestar atención para no tocar los elementos calefactores. Mantenga alejados a los niños menores 8 años salvo que sean supervisados continuamente.

⚠ Los alimentos no deben permanecer dentro o sobre el producto más de una hora, ya sea antes o después de la cocción.

USO PERMITIDO

⚠ **PRECAUCIÓN:** El aparato no está diseñado para su uso con un temporizador externo o un sistema de mando a distancia.

⚠ Este aparato está destinado a un uso en ambientes domésticos o en ambientes similares como: áreas de cocina en oficinas, tiendas y otros entornos laborales; granjas; por los clientes de hoteles, moteles y otros entornos residenciales.

⚠ No se admiten ningún otro uso (p.ej., calentar habitaciones).

⚠ Este aparato no es para uso profesional. No utilice este aparato al aire libre.

INSTALACIÓN

⚠ La manipulación e instalación del aparato la deben realizar dos o más personas; hay riesgo de lesionarse. Utilice guantes de protección para desembalar e instalar el aparato; hay riesgo de cortarse.

⚠ La instalación, incluido el suministro de agua (si lo hay), las conexiones eléctricas y las reparaciones deben ser efectuadas por un técnico cualificado. No realice reparaciones ni sustituciones de partes del aparato no indicadas específicamente en el manual del usuario. Impida que los niños se acerquen a la zona de la instalación. Tras desembalar el aparato, compruebe que no haya sufrido daños durante el transporte. Si observa algún problema, póngase en contacto con el distribuidor o el Servicio Postventa más cercano. Una vez instalado, los residuos del embalaje (plástico, porexpan, etc.) se deben guardar fuera del alcance de los niños; hay riesgo de asfixia. El aparato debe desconectarse del suministro eléctrico antes de efectuar cualquier operación de instalación; hay riesgo de descarga eléctrica. Durante la instalación, compruebe que el aparato no dañe el cable de alimentación; hay riesgo de descarga eléctrica. No ponga en marcha el aparato hasta que no haya terminado el proceso de instalación.

⚠ Realice todas las operaciones de corte de armarios antes de encistar el aparato y limpie todas las astillas y el serrín.

⚠ Si el aparato no está instalado encima de un horno, debe instalarse un panel separador (no incluido) en el compartimento debajo del aparato.

ADVERTENCIAS SOBRE ELECTRICIDAD


⚠ Debe ser posible desconectar el aparato de la alimentación eléctrica desenchufándolo si el enchufe es accesible o mediante un interruptor omnipolar instalado antes del enchufe, de conformidad con las normativas de cableado y el aparato debe conectarse a una toma de tierra de acuerdo con las normativas de seguridad vigentes en materia de electricidad.


⚠ No utilice alargadores, regletas ni adaptadores. Una vez terminada la instalación, los componentes eléctricos no deberán quedar accesibles para el usuario. No use el aparato si está mojado o va descalzo. No use este aparato si tiene un cable o un enchufe de red dañado, si no funciona bien, o si se ha dañado o se ha caído.

⚠ No se permite la instalación con un enchufe de cable de alimentación, a menos que el producto ya esté equipado con aquel proporcionado por el fabricante.


⚠ Si el cable de alimentación está dañado, sólo debe sustituirlo por otro idéntico por el fabricante, personal cualificado del servicio de asistencia técnica del fabricante o similar para evitar daños; hay riesgo de descarga eléctrica.

LIMPIEZA Y MANTENIMIENTO

 **ADVERTENCIA:** Asegúrese de que el aparato esté apagado y desconectado del suministro eléctrico antes de realizar cualquier operación de mantenimiento; no utilice aparatos de limpieza con vapor, hay riesgo de descarga eléctrica.

 No utilice productos abrasivos o corrosivos, limpiadores con cloro ni estropajos metálicos.

ELIMINACIÓN DEL MATERIAL DE EMBALAJE


El material de embalaje es 100% reciclable y está marcado con el símbolo de reciclaje .

Por lo tanto, deberá desechar las diferentes piezas del embalaje de forma responsable, respetando siempre las normas locales sobre eliminación de residuos.

ELIMINACIÓN DE LOS ELECTRODOMÉSTICOS

Este aparato ha sido fabricado con material reciclable o reutilizable. Debe desecharse de acuerdo con la normativa local al respecto. Para obtener información más detallada sobre el tratamiento, recuperación y reciclaje de aparatos eléctricos domésticos, póngase en contacto con las autoridades locales, con el servicio de recogida de residuos urbanos, o con la tienda en la que adquirió el aparato. Este electrodoméstico lleva el marcado CE de conformidad con la Directiva Europea 2012/19/UE sobre Residuos de Aparatos Eléctricos y Electrónicos (RAEE) y con la normativa de Residuos de Aparatos Eléctricos y Electrónicos de 2013 (modificada).

La correcta eliminación de este producto evita consecuencias negativas para el medio ambiente y la salud.

El símbolo  que se incluye en el aparato o en la documentación que lo acompaña indica que no puede tratarse como un residuo doméstico, sino que debe entregarse en un punto de recogida adecuado para el reciclado de aparatos eléctricos y electrónicos.

CONSEJOS PARA AHORRAR ENERGÍA

Saque el máximo partido al calor residual de su placa apagándola unos minutos antes de terminar de cocinar.

La base de la olla o la sartén debe cubrir la placa por completo; si se utiliza un recipiente más pequeño que la placa, se estará desaprovechando la energía. Tape sus ollas y sartenes con tapas que se ajusten bien mientras cocine y utilice la menor cantidad de agua posible. Cocinar sin tapa incrementa considerablemente el consumo de energía.

Utilice únicamente ollas y sartenes con base plana.

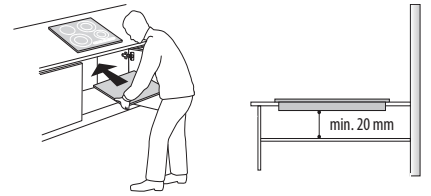
DECLARACIÓN DE CONFORMIDAD

Este aparato cumple con los requisitos de diseño ecológico del Reglamento europeo n.º 66/2014 y con el Reglamento de diseño ecológico aplicable a los productos relacionados con la energía y el Reglamento sobre la información energética (enmienda) (salida de la UE) de 2019, en cumplimiento con la norma europea EN 60350-2.

La información relacionada con el modo de bajo consumo del aparato de acuerdo con el Reglamento (UE) 2023/826 se puede encontrar en el siguiente enlace: <https://docs.emeaappliance-docs.eu>.

INSTALACIÓN

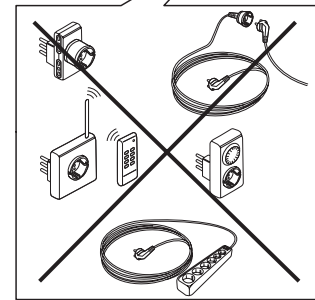
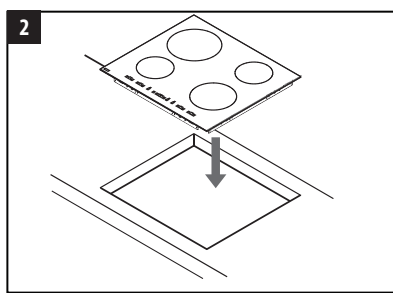
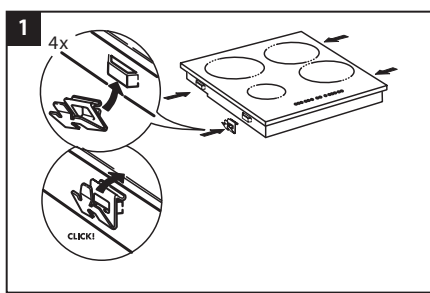
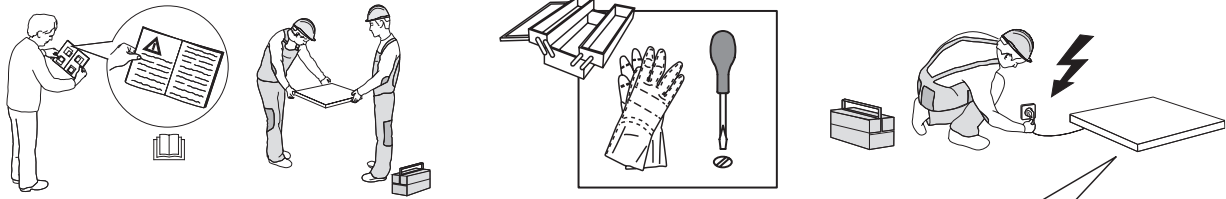
- La placa de cocción debe colocarse en una encimera de al menos 20 mm de profundidad.
- Es preciso que no haya ningún elemento entre la placa y el horno (carriles transversales, soportes, etc.).
- Asegúrese de que el cable de alimentación es lo suficientemente largo para permitir una instalación cómoda.
- La distancia entre la cara inferior de la placa y el armario o panel de separación debe ser como mínimo de 20 mm.



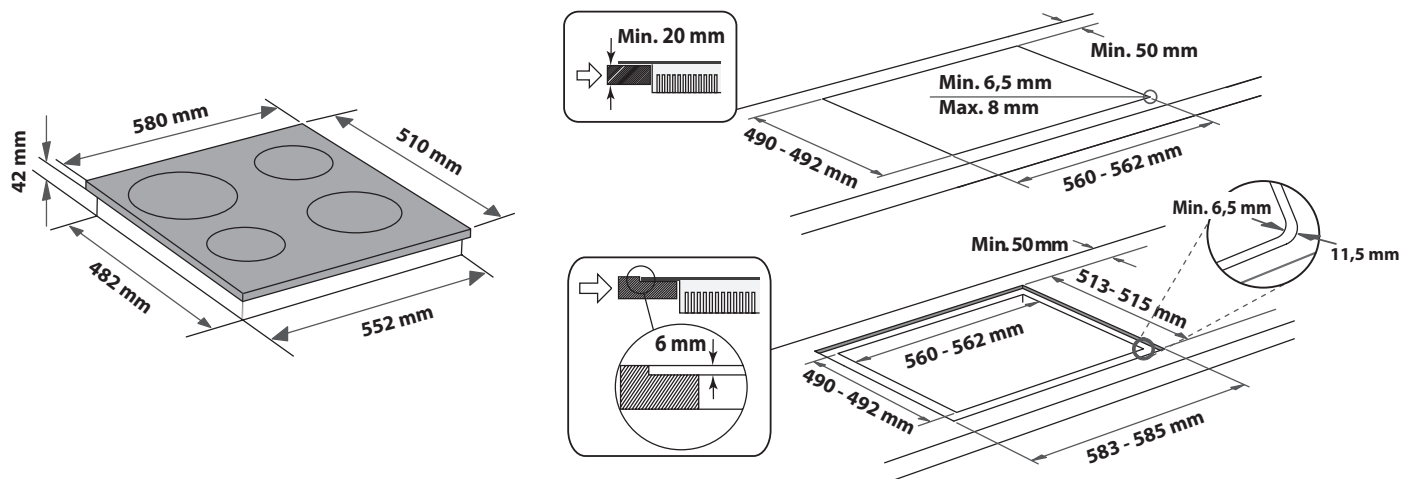
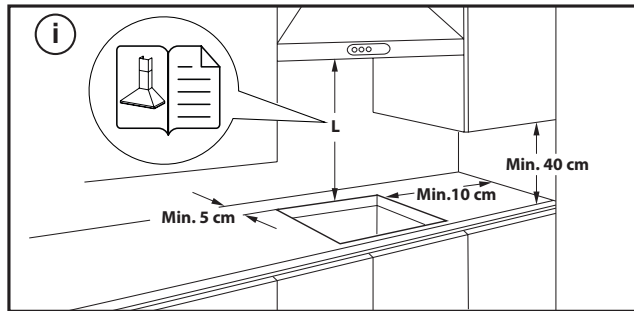
- Consulte las medidas y la instalación en la ilustración de este apartado.
- Se tiene que mantener una distancia mínima entre la placa y la campana. Consulte el manual del usuario de la campana para más información.
- Aplique la junta suministrada con la placa de cocción (si todavía no está instalada) después de limpiar su superficie.
- **No instale la placa de cocción cerca del lavavajillas ni la lavadora para evitar la exposición de los circuitos electrónicos a vapor o humedad, que podría dañarlos.**
- Si debajo de la placa de cocción hay instalado un horno, asegúrese de que esté equipado con un sistema de refrigeración. Si la temperatura de los circuitos electrónicos supera la temperatura máxima permitida, la placa de cocción se apagará automáticamente; en este caso, espere unos minutos hasta que la temperatura de los circuitos descienda a un nivel aceptable y podrá volver a encender la placa.

COLOCACIÓN DE LA PLACA

Una vez realizada la conexión eléctrica (consulte el apartado "Conexión eléctrica"), coloque los enganches en las ranuras correspondientes de los laterales de la placa, tal como se muestra en la ilustración. Después, presione la placa para encajarla en el hueco y compruebe que el cristal quede plano y paralelo a la encimera. Los enganches son aptos para todo tipo de encimeras (de madera, de mármol, etc.).



DIMENSIONES Y DISTANCIAS QUE DEBEN RESPETARSE



DESMONTAJE DE LA PLACA:

Para desmontar la placa, primero hay que desconectarla de la red eléctrica. Se recomienda encarecidamente liberar la parte inferior del horno, cajón, separador u otro. Esto permite al técnico acceder a la parte inferior de la placa para soltar los cuatro clips con un destornillador, levantar la placa y retirarla, evitando dañar la encimera.

CONEXIÓN ELÉCTRICA

Las conexiones eléctricas deben realizarse antes de enchufar el aparato a la toma de electricidad.

El cable de alimentación no está incluido en el paquete. Recuerde preparar su propio cable de alimentación.






La instalación la debe realizar personal cualificado que conozca la normativa vigente sobre seguridad e instalación. En concreto, la instalación debe llevarse a cabo de acuerdo con la normativa de la compañía eléctrica local.

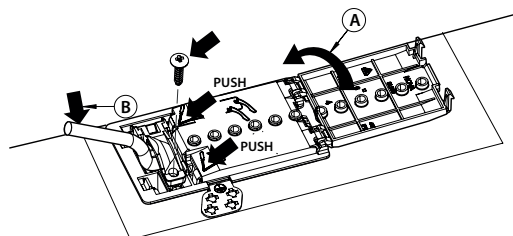
Compruebe que el voltaje especificado en la placa de datos situada en la parte inferior del electrodoméstico es el mismo que para la vivienda.

La puesta a tierra del aparato es obligatoria por ley: utilice exclusivamente conductores (incluido el de tierra) de las medidas apropiadas.

CONEXIÓN AL BLOQUE DE TERMINALES


Para la conexión eléctrica, utilice un cable H05RR-F o H05V2V2-F como se especifica en la tabla siguiente.

TENSIÓN DE ALIMENTACIÓN	CONDUCTORES CANTIDAD x TAMAÑO
230V ~ + 	3 x 4 mm ²
230-240V ~ + 	3 x 4 mm ² (sólo para Australia)
230V 3~ + 	4 x 1,5 mm ²
400V 3N~ + 	5 x 1,5 mm ²
400V 2N~ + 	4 x 1,5 mm ²



El aparato debe enchufarse a la alimentación mediante un interruptor seccionador multipolar con un espacio de contacto mínimo de 3 mm.

ATENCIÓN: El cable de alimentación debe tener una longitud suficiente para que la placa de conexión pueda retirarse de la encimera, y colocarse de forma que no sufra daños ni esté sometido a calor excesivo causado por el contacto con la base.

NOTA: el hilo de toma de tierra (amarillo/verde) debe conectarse al terminal que tiene el símbolo correspondiente , y ser más largo que el resto de hilos.

- Quite aproximadamente 70 mm de la cubierta del cable del cable de alimentación (B).
- Quite unos 10 mm del recubrimiento protector de los hilos. Inserte el cable de alimentación en la abrazadera y conecte los cables al bloque de terminales, como se indica en el diagrama de cableado situado cerca del propio bloque.
- Fije el cable de alimentación (B) con la abrazadera.
- Cierre la placa de conexiones con la tapa (A).
- Terminada la conexión eléctrica, encaje la placa por la parte superior y fjela a los resortes de sujeción, como se muestra en la ilustración.


GRACIAS POR ADQUIRIR UN PRODUCTO HOTPOINT/ARISTON

Para recibir una asistencia más completa, registre su producto en www.hotpoint.eu/register.

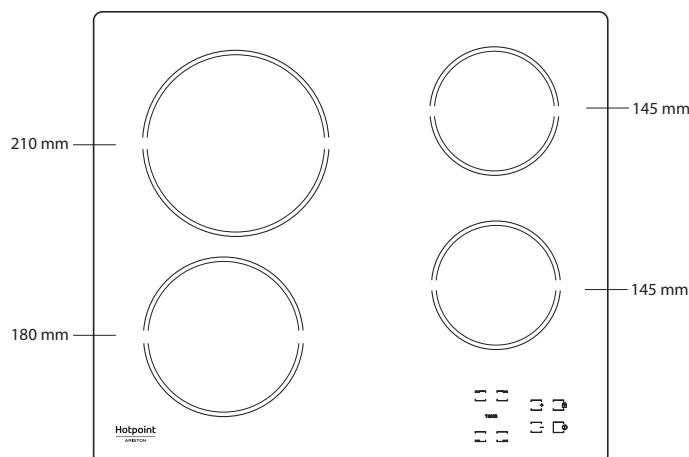


Antes de usar el aparato, lea atentamente las Instrucciones de seguridad.

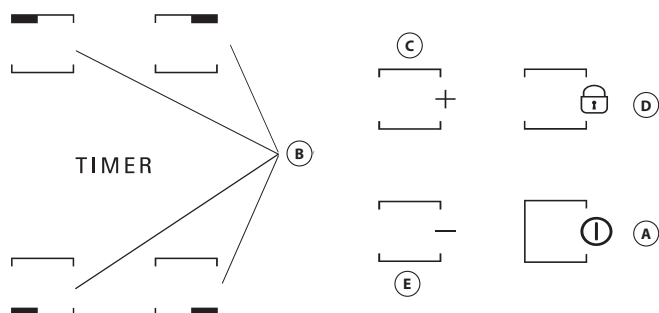
ESCANEE EL CÓDIGO QR DE SU APARATO PARA OBTENER MÁS INFORMACIÓN



DESCRIPCIÓN DEL PRODUCTO



PANEL DE CONTROL



- A** Encendido/Apagado
- B** Selección de zonas de cocción y timer
- C-E** Aumento y disminución del nivel de potencia
- D** Bloqueo de teclas

PRIMER USO

Al primer encendido, el panel de mandos hará una prueba funcional de aproximadamente 1 segundo, después de lo cual se pondrá automáticamente en la función "Bloqueo de teclas". Pulsar de modo prolongado la tecla "D" para

desactivar la función; la placa emite una señal acústica y el testigo se apaga.

NOTA: En caso de reset, repetir el procedimiento.

USO DIARIO



ENCENDIDO Y APAGADO DE LA PLACA

Para encender la placa de cocción hay que mantener pulsada la tecla "A" durante 2 segundos. La pantalla de las 4 zonas de cocción muestra "0". Si no se activa una zona de cocción en 20 segundos, la placa de cocción se apaga automáticamente por razones de seguridad.

ENCENDIDO Y AJUSTE DE LAS ZONAS DE COCCIÓN

Pulsar una de las teclas "B" correspondientes a la zona de cocción que se desea utilizar. Seleccionar la potencia de cocción con las teclas "E" o "C". Los niveles de cocción seleccionables van de 1 a 9. Pulsar las teclas "+/-" simultáneamente para cancelar todos los ajustes.

IMPORTANTE: una vez seleccionado el nivel de potencia, el control se desactiva a los 10 segundos.

Para modificar el nivel de potencia, pulsar la tecla de selección "B" y efectuar el ajuste con las teclas "E" o "C".

TIMER

Para programar la función Timer hay que seleccionar la zona de cocción deseada, indicar el nivel de potencia y pulsar nuevamente la tecla de la zona de cocción; se enciende un punto luminoso en la pantalla de la zona que se va a temporizar. En las 2 visualizaciones parpadea "00" pulsar las teclas "C" o "E" para variar el tiempo de 1 a 99.

IMPORTANTE: a los 10 segundos, en las pantallas del temporizador aparece el nivel de potencia de las otras zonas de cocción.

Para ver el tiempo restante, pulsar dos veces la zona de cocción temporizada.

FUNCIÓN A

Esta función permite disminuir automáticamente el nivel de potencia de la zona de cocción desde el valor más alto (nivel 9) hasta el seleccionado por el usuario para una fase posterior de la cocción.

Para activar esta función, pulse primero el botón "+" cuando se alcance el nivel 9. La pantalla muestra "A" y "9" parpadea alternativamente con poco brillo. En este punto, elija el nivel de potencia deseado (menos de 9) con el botón "-".

“A” y el nivel seleccionado parpadean alternativamente con poco brillo en la pantalla.

La función se activa una vez que “A” y el nivel seleccionado parpadean alternativamente con alto brillo en la pantalla.

Una vez que “A” deja de ser visible en la pantalla (la función “A” se desconecta automáticamente después de varios minutos, dependiendo del nivel de potencia ajustado), el proceso de cocción continúa con una potencia menor y la pantalla muestra solo el nivel de potencia seleccionado.

N.B.: esta función no es posible con el nivel 9.



BLOQUEO DE TECLAS

La función Bloqueo de teclas se activa manteniendo pulsada la tecla “D” hasta visualizar un punto luminoso sobre la tecla de función. El panel de control estará bloqueado salvo para hacer uso de la función de apagado. La función permanece activada incluso después de que se haya apagado la placa y se haya encendido de nuevo, y se puede desactivar pulsando de nuevo el botón “D” hasta que se apague el punto de encima del botón de función.

Cuando la placa de cocción está apagada con el bloqueo de teclas activado, para encender la placa de cocción, desactive primero la función de bloqueo de teclas pulsando de nuevo el botón “D” hasta que el punto situado sobre el botón de función se apague.

La presencia de agua, líquidos vertidos de recipientes o cualquier otro objeto sobre los mandos podría activar o desactivar accidentalmente el bloqueo de teclas.



INDICADOR DE CALOR RESIDUAL

Cuando la zona de cocción está apagada, el indicador de calor residual “H” permanece encendido, o parpadea alternando con “0”, hasta que la temperatura de la placa desciende a un nivel seguro.

IMPORTANTE: La placa de cocción está equipada con una función de apagado automático. Si se utiliza el mismo nivel de potencia durante mucho tiempo, la zona de cocción se apaga automáticamente (por ejemplo, después de haber funcionado durante una hora al máximo).

IMPORTANTE: Para evitar dañar la placa permanentemente:

- no utilice ollas cuya base no sea plana;
- no utilice ollas con base esmaltada;
- no ponga ollas calientes encima del panel de control.

La placa también tiene la función “Autoapagado” para apagar la zona de cocción si no se hace ninguna modificación del nivel de potencia al cabo de un periodo de tiempo determinado en función del ajuste de potencia. En la tabla se muestra la duración de cada nivel de potencia.

NIVEL DE POTENCIA	TIEMPO DE AUTOAPAGADO
0	30 segundos aproximadamente
1	10 horas
2	5 horas
3	5 horas
4	4 horas
5	3 horas
6	2 horas
7	2 horas
8	2 horas
9	1 hora

TABLA DE COCCIÓN

NIVEL DE POTENCIA		TIPO DE COCCIÓN	NIVEL (la indicación se añade a la experiencia y los hábitos de cocción)
Potencia máxima	9	Ebullición	Ideal para aumentar con rapidez la temperatura para hervir agua o calentar rápidamente líquidos de cocción.
	9 – 8	Abrasador	Ideal para dorar, comenzar a cocinar, freír productos congelados, hervir rápidamente.
Potencia alta	8 – 7	Dorar – mantener el hervor – cocinar a la parrilla	Ideal para dorar, mantener el hervor a fuego fuerte, cocinar y asar a la parrilla (duración corta, 5-10 minutos).
	7 – 6	Freír – cocinar – cocinar a la parrilla	Ideal para mantener el hervor a fuego lento, cocinar y asar a la parrilla (duración media, 10-20 minutos), precalentar y freír.
Potencia media	6 – 5	Freír suavemente	Ideal para freír huevos, tortillas.
	5 – 4	Cocer – cocer a fuego lento, guisar	Ideal para cocciones prolongadas (arroz, salsas, carnes, pescados) con líquidos (p. ej. agua, vino, caldo, leche) y para mantecar pasta.
	4 – 3	Espesar – mantecar pasta	
Potencia baja	2 – 1	Mantener calientes los alimentos – mantecar risottos	Ideal para mantener calientes los alimentos recién cocinados (por ejemplo, salsas, sopas, minestrone), mantecar risottos y mantener calientes los platos para servir.
Potencia mínima	1	Descongelando	Ideal para descongelar productos pequeños y fundir chocolate o mantequilla.
Potencia cero	0	–	Placa de cocción en posición de stand-by o apagada (posible presencia de calor residual de fin de cocción, señalado con “H”).

LIMPIEZA Y MANTENIMIENTO

Desconecte el aparato de la red eléctrica.

- No utilice aparatos de limpieza al vapor.
- No utilice esponjas o estropajos abrasivos, ya que podrían dañar el cristal.
- Después de cada uso, limpie la placa (cuando esté fría) para eliminar cualquier resto o mancha de comida.
- El azúcar o los alimentos con alto contenido de azúcar pueden dañar la placa y deben eliminarse inmediatamente.

- La sal, el azúcar y la arena podrían rayar la superficie de cristal.
- Utilice un paño suave, papel de cocina absorbente o un limpiador especial para placas (siga las instrucciones del fabricante).
- El derramamiento de líquidos en las zonas de cocción puede provocar que las ollas se muevan o vibren.
- Después de limpiar la placa, séquela bien.

Hotpoint

ARISTON

RESOLUCIÓN DE PROBLEMAS

Si la placa no funciona bien, antes de llamar al Servicio Postventa, consulte la guía para la solución de problemas para determinar el problema.

- Lea y siga las instrucciones del apartado "Uso diario".
- Compruebe que no se haya interrumpido la alimentación eléctrica.
- Seque completamente la placa después de limpiarla.
- Si se ha seleccionado una zona de cocción y en la pantalla aparece "F" o bien "ER" seguido de un número, póngase en contacto con el Servicio de Asistencia Técnica.
- Si el código de error es "F03", "ER03" o "E02", intente resolverlo siguiendo estas instrucciones:
 - Si aparece el error "E02", asegúrese de que no ha pulsado los botones durante más de 5 segundos, de que no hay ningún objeto en la zona de la HMI y de que está limpia y seca - al limpiar, siga el párrafo "Limpieza y Mantenimiento".
 - Si aparece el error "F03", pruebe a apagar y encender la placa de cocción.
 - Si aparece el error "F04", póngase en contacto con el servicio postventa e indíqueles el código que aparece.

- Si la placa de cocción no funciona después de un uso intensivo, es debido a la elevada temperatura interna de los componentes. Espere unos minutos hasta que descienda la temperatura.
- Si el calentador no está encendido continuamente pero se enciende y apaga cíclicamente aunque, en la pantalla, el nivel de potencia no cambie, esto forma parte del funcionamiento normal de la placa. El ciclo de encendido/apagado permite la regulación de la potencia del calentador y es totalmente normal. En algunos casos, una protección térmica podría apagar el calentador un rato para evitar que el cristal se dañe. Ejemplos de algunos de esos casos: cocinar mucho tiempo a un nivel de potencia alto; usar recipientes más pequeños que la resistencia y bases de recipientes que no sean planos.
- Si la placa de cocción emite un breve sonido sin que el cliente pulse ningún botón, tenga cuidado con cualquier derrame de líquido en la HMI. Por favor, seque la HMI y continúe utilizando la placa. Si la placa se ha apagado automáticamente, puede deberse a la presencia de un líquido en la HMI. Por favor, seque la HMI y vuelva a encender la placa.

Si el fallo persiste después de estas comprobaciones, póngase en contacto con el Servicio de Asistencia Técnica más cercano.

SERVICIO POSTVENTA

Para recibir una asistencia más completa, registre su producto en www.hotpoint.eu/register.

ANTES DE LLAMAR AL SERVICIO POSTVENTA:

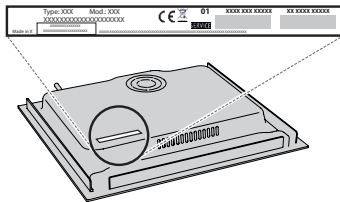
1. Intente resolver el problema consultando las recomendaciones que se ofrecen en la **GUÍA PARA LA SOLUCIÓN DE PROBLEMAS**.
2. Apague el aparato y vuelva a encenderlo para comprobar si se ha solucionado el problema.

SI EL FALLO PERSISTE DESPUÉS DE ESTAS COMPROBACIONES, PÓNGASE EN CONTACTO CON EL SERVICIO POSTVENTA.

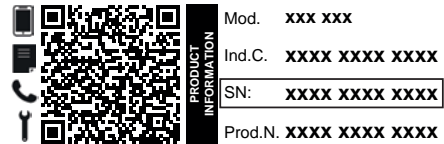
Para recibir asistencia, llame al número que aparece en el folleto de la garantía o siga las instrucciones de la página web www.hotpoint.eu.

Cuando se ponga en contacto con nuestro Servicio Postventa, especifique siempre:

- una breve descripción del problema;
- el tipo y el modelo exacto del aparato;



- el número de serie (el número que se indica tras la palabra SN en la placa de características situada debajo del aparato). El número de serie también se indica en la documentación;



- su dirección completa;
- su número de teléfono.

Si fuera necesaria alguna reparación, póngase en contacto con un Servicio Postventa autorizado (que garantiza el uso de piezas de recambio originales y una reparación correcta).

Puede consultar los reglamentos, la documentación estándar e información adicional sobre productos mediante alguna de las siguientes formas:

- Utilizando el código QR en tu aplicación;
- Visitando nuestro sitio web docs.hotpoint.eu;
- También puede **ponerse en contacto con nuestro Servicio postventa** (Consulte el número de teléfono en el folleto de la garantía). Cuando se ponga en contacto con nuestro Servicio Postventa, deberá indicar los códigos que figuran en la placa de características de su producto.



INSTRUÇÕES DE SEGURANÇA

AVISOS IMPORTANTES QUE DEVERÁ LER E CUMPRIR

Antes de utilizar o aparelho, leia estas instruções de segurança com atenção. Guarde-as por perto para consulta futura.

Estas instruções e o próprio aparelho possuem mensagens importantes relativas à segurança que deve ler e respeitar sempre. O fabricante declina qualquer responsabilidade pela inobservância das presentes instruções de segurança, pela utilização inadequada do aparelho ou pela incorreta configuração dos controlos.

⚠ **ADVERTÊNCIA:** Se a superfície da placa estiver rachada, não utilize o aparelho - risco de choque elétrico.

⚠ **ADVERTÊNCIA:** Perigo de incêndio: Não armazene quaisquer produtos nas superfícies de cozedura.

⚠ **CUIDADO:** O processo de cozedura tem de ser vigiado. Os processos de cozedura de curta duração devem ser continuamente vigiados.

⚠ **ADVERTÊNCIA:** A cozedura de alimentos com gorduras ou óleos numa placa sem vigilância pode ser perigosa - risco de incêndio. NUNCA tente apagar um incêndio com água: desligue o aparelho e depois cubra a chama, por exemplo com uma tampa ou manta antifogo.

⚠ Não utilize a placa como superfície ou suporte de trabalho. Mantenha quaisquer peças de vestuário ou outros materiais inflamáveis afastados do aparelho até que todos os componentes deste tenham arrefecido completamente, pois existe risco de incêndio.

⚠ As crianças até aos 3 anos devem ser mantidas afastadas do aparelho. As crianças entre os 3 e os 8 anos devem ser mantidas afastadas do aparelho, exceto se estiverem sob supervisão permanente. Este aparelho pode ser utilizado por crianças a partir dos 8 anos e por pessoas com capacidades físicas, sensoriais ou mentais reduzidas ou com falta de experiência e conhecimento, desde que estejam sob supervisão ou tenham recebido instruções quanto à utilização segura deste aparelho e se compreenderem os perigos envolvidos. As crianças não devem brincar com o aparelho. A limpeza e a manutenção a cargo do utilizador não devem ser realizadas por crianças sem supervisão.

⚠ **ADVERTÊNCIA:** Este aparelho e as suas peças acessíveis aquecem durante o uso. Deve ter-se cuidado para evitar tocar nos elementos quentes. Mantenha as crianças com idade inferior a 8 anos afastadas do aparelho a menos que estejam vigiadas em permanência.

⚠ Os alimentos não devem ser deixados dentro ou sobre o produto durante mais de uma hora, antes ou depois da cozedura.

UTILIZAÇÃO PERMITIDA

⚠ **CUIDADO:** o aparelho não deve ser ligado a partir de um temporizador externo, como, por exemplo, um temporizador, nem a partir de um sistema de controlo remoto em separado.

⚠ Este aparelho destina-se a ser usado em ambiente doméstico e em aplicações semelhantes tais como: copas

para utilização dos funcionários em lojas, escritórios e outros ambientes de trabalho; quintas de exploração agrícola; clientes em hotéis, motéis, *bed & breakfast* e outros tipos de ambientes residenciais.

⚠ Estão proibidos outros tipos de utilização (por exemplo, aquecimento de divisões da casa).

⚠ Este aparelho não está concebido para o uso profissional. Não utilize o aparelho no exterior.

INSTALAÇÃO

⚠ O aparelho deve ser transportado e instalado por duas ou mais pessoas, para evitar o risco de lesões. Use luvas de proteção para desembalar e instalar o aparelho, de forma a evitar o risco de cortes.

⚠ A instalação, incluindo a alimentação de água (caso seja necessário) e as ligações elétricas, bem como quaisquer reparações devem ser realizadas por um técnico devidamente qualificado. Não repare nem substitua nenhuma peça do aparelho a não ser que tal seja especificamente indicado no manual de utilização. Mantenha as crianças afastadas do local da instalação. Desembale o aparelho e certifique-se de que este não foi danificado durante o transporte. Se tiverem ocorrido problemas, contacte o revendedor ou o Serviço Pós-Venda mais próximo. Uma vez instalado o aparelho, os elementos da embalagem (plástico, peças de esferovite, etc.) devem ser armazenados longe do alcance das crianças, pois existe o risco de asfixia. Deve desligar o aparelho da corrente elétrica antes de efetuar qualquer operação de instalação, para evitar o risco de choques elétricos. Durante a instalação, certifique-se de que o aparelho não danifica o cabo de alimentação, pois existe o risco de incêndio ou de choques elétricos. Ligue o aparelho apenas após concluir a instalação do mesmo.


⚠ Execute todos os trabalhos de corte no móvel antes de instalar o forno e remova todas as lascas de madeira e serradura.


⚠ Caso o aparelho não seja instalado sobre um forno, deverá instalar um painel de separação (não incluído) no compartimento localizado sob o aparelho.

AVISOS RELATIVOS À ELETRICIDADE


⚠ Deve ser possível desligar o aparelho da fonte de alimentação, desligando-o na ficha, caso esta esteja acessível, ou através de um interruptor multipolar instalado na tomada de acordo com a regulamentação aplicável a ligações elétricas; além disso, o aparelho deve dispor de ligação à terra, de acordo com as normas de segurança elétrica nacionais.


⚠ Não utilize extensões, tomadas múltiplas ou adaptadores. Após a instalação do aparelho, os componentes elétricos devem estar inacessíveis ao utilizador. Não utilize o aparelho com os pés descalços ou molhados. Não ligue este aparelho se o cabo ou a ficha elétrica apresentar danos, se não estiver a funcionar corretamente, se estiver danificado ou se tiver caído.

 A instalação utilizando uma tomada do cabo de alimentação não é permitida exceto se o produto já estiver equipado com uma tomada fornecida pelo Fabricante.

 Se o cabo de alimentação estiver danificado deverá ser substituído por um idêntico do mesmo fabricante ou por um técnico de assistência ou pessoas similarmente qualificadas de modo a evitar a ocorrência de situações perigosas, pois existe o risco de choques elétricos.

LIMPEZA E MANUTENÇÃO

 **ADVERTÊNCIA:** Assegure-se de que o aparelho está desligado da fonte de alimentação antes de realizar quaisquer operações de manutenção; nunca use uma máquina de limpeza a vapor para limpar o aparelho - risco de choques elétricos.

 Não utilize produtos abrasivos ou corrosivos, produtos de limpeza à base de cloro, ou esfregões da louça.

ELIMINAÇÃO DA EMBALAGEM


O material da embalagem é 100% reciclável, conforme indicado pelo símbolo de reciclagem .

As várias partes da embalagem devem ser eliminadas de forma responsável e em total conformidade com as normas estabelecidas pelas autoridades locais.

ELIMINAÇÃO DE ELETRODOMÉSTICOS

Este aparelho é fabricado com materiais recicláveis ou reutilizáveis. Elimine-o em conformidade com as normas de eliminação de resíduos locais. Para obter mais informações sobre o tratamento, recuperação e reciclagem de eletrodomésticos, contacte as autoridades locais, o serviço de recolha de resíduos domésticos ou a loja onde adquiriu o aparelho. Este aparelho está classificado em conformidade com a Diretiva Europeia 2012/19/UE relativa aos Resíduos de Equipamentos Elétricos e Eletrónicos (REEE) e com os regulamentos referentes à gestão de resíduos de equipamentos elétricos e eletrónicos de 2013 (conforme alteração).

Ao assegurar a eliminação correta deste produto, estamos a proteger o ambiente e a saúde humana contra riscos negativos.

O símbolo  no produto, ou nos documentos que acompanham o produto, indica que este aparelho não deve ser tratado como resíduo doméstico e deve ser transportado para um centro de recolha adequado para proceder à reciclagem do equipamento elétrico e eletrónico.

SUGESTÕES PARA POUPAR ENERGIA

Tire o máximo partido do calor residual libertado pela sua placa durante o funcionamento da mesma, desligando-a durante alguns minutos antes de terminar a cozedura.

A base das suas panelas ou dos seus tachos deve cobrir a placa na totalidade; a utilização de recipientes mais pequenos do que a placa levará a um desperdício de energia.

Tape as suas panelas e tachos com tampas adequadas às dimensões dos mesmos durante a cozedura e utilize o mínimo de água possível. A cozedura em recipientes sem tampa aumenta fortemente o consumo de energia.

Utilize apenas panelas e tachos com um fundo plano.

DECLARAÇÃO DE CONFORMIDADE

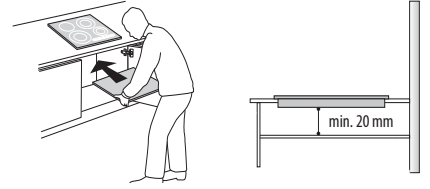
Este aparelho cumpre os requisitos de concepção ecológica do regulamento europeu n.º 66/2014, os requisitos de concepção ecológica dos produtos relacionados com o consumo de energia e o regulamento sobre as informações energéticas (alteração) (saída UE) de 2019 em conformidade com a norma europeia EN 60350-2.

As informações relacionadas com o modo de baixo consumo do aparelho, em conformidade com o Regulamento (UE) 2023/826, podem ser encontradas na seguinte hiperligação: <https://docs.emeaappliance-docs.eu>.



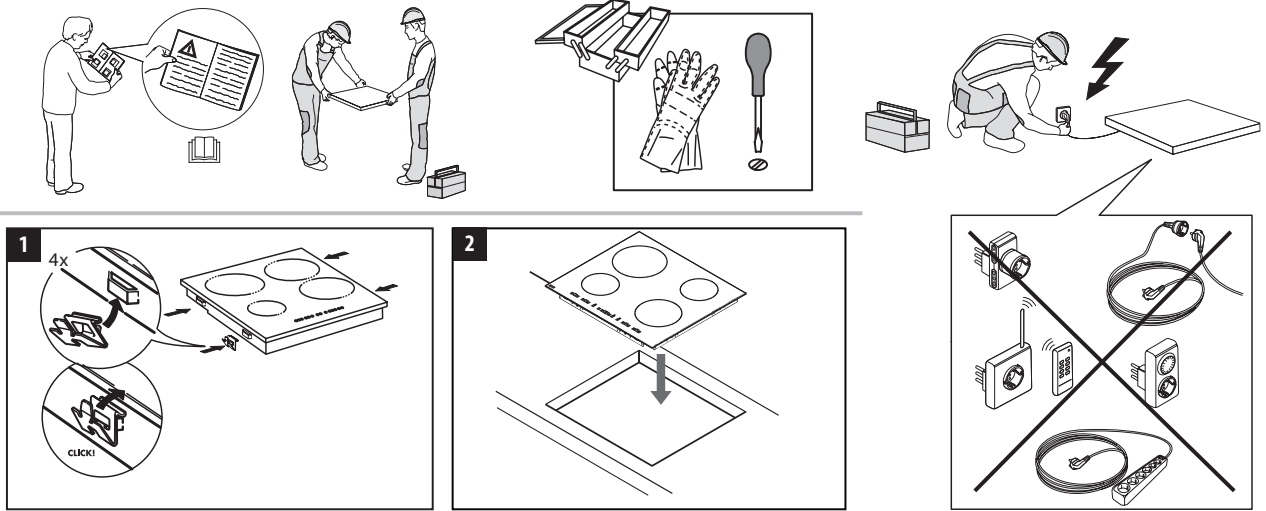
INSTALAÇÃO

- A placa de cozedura tem de ser definida para um tampo com pelo menos 20 mm de profundidade.
- Não deve existir qualquer tipo de obstrução entre a placa e o forno (calhas, suportes, etc.).
- Certifique-se de que o cabo de alimentação é suficientemente longo para permitir uma instalação conveniente.
- A distância entre a face inferior da placa vitrocerâmica e a bancada ou o painel de separação deve ser de, pelo menos, 20 mm.
- Para obter informação acerca de dimensões para estrutura encastrada e instruções de instalação, veja as imagens no presente parágrafo.
- Deverá deixar uma distância mínima entre a placa e o exaustor existente sobre a mesma. Consulte o manual do utilizador do exaustor para mais informações.
- Após limpar a superfície da placa, aplique a vedação fornecida (a menos que a mesma já esteja instalada).
- **Não instale a placa perto de um lava-loiças ou máquina de lavar loiça, para que os circuitos eletrónicos não entrem em contacto com vapor ou humidade, o que os pode danificar.**
- Caso, por baixo da placa, seja instalado um forno (da nossa gama de fornos), certifique-se de que o mesmo dispõe de um sistema de refrigeração. Se a temperatura do circuito eletrónico exceder a temperatura máxima permitida, a placa desliga-se automaticamente; Neste caso, aguarde alguns minutos até que a temperatura interna dos circuitos eletrónicos alcancem um nível tolerável que possibilite ligar a placa novamente.

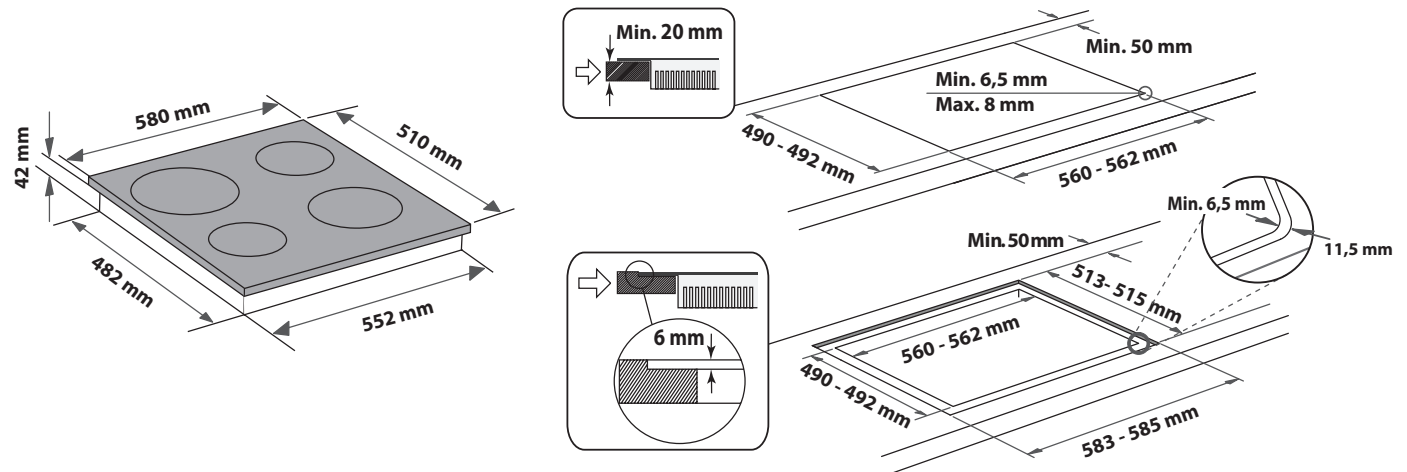
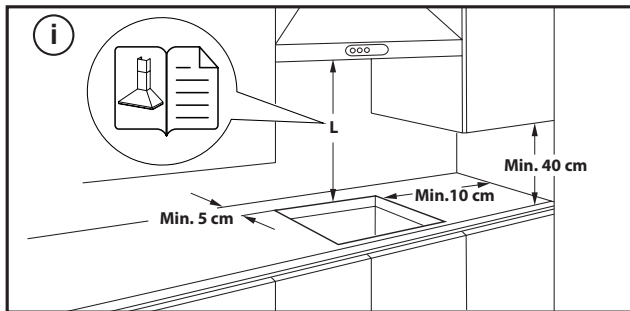


COMO INSTALAR A PLACA

Após a instalação da ligação elétrica (ver capítulo "Ligação elétrica"), posicione cada suporte de fixação nas aberturas dedicadas existentes em ambos os lados da placa, tal como ilustrado pela imagem. Em seguida, encaixe a placa no corte na bancada para o efeito e certifique-se de que o vidro está nivelado e em paralelo com a bancada. Os suportes de fixação estão concebidos para utilização em todos os tipos de material de bancada (madeira, mármore, etc.).



DIMENSÕES E DISTÂNCIAS A SEREM MANTIDAS



COMO REMOVER A PLACA:

Para remover a placa, comece por desligá-la da alimentação elétrica. Recomenda-se vivamente que liberte a parte inferior do forno, gaveta, separador ou outros. Tal permite ao técnico aceder à parte inferior da placa para desapertar os quatro ganchos com uma chave de parafusos, levante a placa e remova-a, evitando quaisquer danos no tampo.

LIGAÇÃO ELÉTRICA

A ligação elétrica deve ser efetuada antes de ligar o aparelho à corrente doméstica.

O cabo de alimentação não está incluído na embalagem - não se esqueça de preparar o seu próprio cabo.




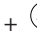
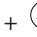
O aparelho deverá ser instalado por um técnico qualificado, com conhecimento das normas vigentes em matéria de instalação e segurança. Mais especificamente, a instalação deverá ser realizada em conformidade com os regulamentos do fornecedor de eletricidade local.

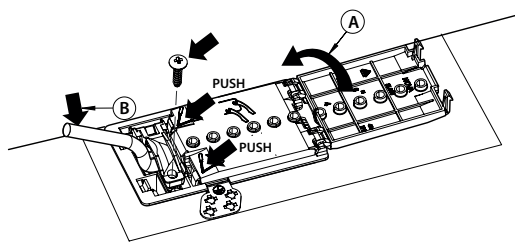
Certifique-se de que a tensão elétrica indicada na chapa de características situada no fundo do aparelho, corresponde à da habitação na qual vai ser instalado.

A ligação à terra do aparelho é obrigatória: utilize apenas condutores (incluindo o condutor de terra) com as dimensões apropriadas.

LIGAÇÃO AO BLOCO DE TERMINAIS


Para realizar a ligação elétrica, utilize um cabo de tipo H05RR-F ou H05V2V2-F, tal como indicado na tabela seguinte.

TENSÃO DE ALIMENTAÇÃO	CONDUTORES NÚMERO X DIMENSÕES
220-240V ~ + 	3 x 4 mm ²
230-240V ~ + 	3 x 4 mm ² (apenas para a Austrália)
220-240V 3~ + 	4 x 1,5 mm ²
380-415V 3N~ + 	5 x 1,5 mm ²
380-425V 2N~ + 	4 x 1,5 mm ²



O aparelho tem de ser ligado à alimentação elétrica através de um disjuntor multipolar com distância mínima entre os contactos de 3 mm.

Atenção: o cabo de alimentação deve ser comprido o suficiente para permitir que a placa seja removida da bancada e posicionada de forma a evitar quaisquer danos ou o sobreaquecimento causado pelo contacto com a base.

Nota: o fio terra amarelo/verde deverá ser ligado ao terminal com o símbolo  e deverá ter um comprimento superior ao dos outros fios.

- Retire cerca de 70 mm do revestimento do cabo de alimentação (**B**).
- Retire cerca de 10 mm do revestimento dos fios. Em seguida, introduza o cabo de alimentação no fixador do cabo e ligue os fios ao bloco de terminais conforme indicado no esquema de ligação posicionado junto ao próprio bloco de terminais.
- Fixe o cabo de alimentação elétrica (**B**) através do gancho do cabo.
- Feche o bloco de terminais com a tampa (**A**).
- Após a ligação elétrica, encaixe a placa a partir de cima e fixe-a às molas de fixação, conforme representado na figura.


OBRIGADO POR COMPRAR UM PRODUTO HOTPOINT/ARISTON

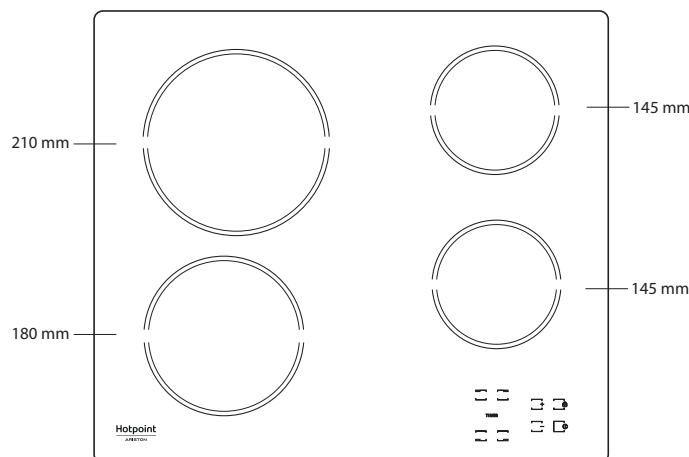
Para beneficiar de uma assistência mais completa, registre o seu produto em www.hotpoint.eu/register.

EFETUE A LEITURA DO CÓDIGO QR NO SEU APARELHO PARA OBTER MAIS INFORMAÇÕES

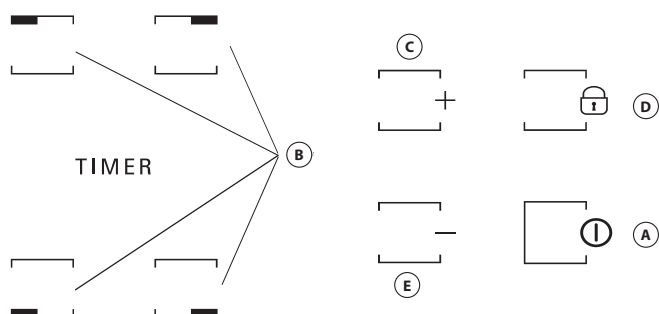


Leia as instruções de segurança com atenção antes de usar o aparelho.

DESCRIÇÃO DO PRODUTO



PAINEL DE COMANDOS



- A** Ligar/Desligar
- B** Zona de cozedura e seleção do temporizador
- C-E** Aumentar e diminuir a temperatura
- D** Bloqueio dos botões

UTILIZAR PELA PRIMEIRA VEZ

Após a primeira instalação, o painel de controlo realiza um teste funcional de cerca de 1 segundo, após o qual muda automaticamente para a função "Bloqueio dos botões".

Para desativar a função, pressione e fixe o botão "D"; é emitido um sinal sonoro e o led correspondente apaga-se.

NOTA: Caso a placa seja reiniciada, repita o procedimento descrito acima.

UTILIZAÇÃO DIÁRIA



LIGAR/DESLIGAR A PLACA

Para ligar a placa, mantenha premido o botão "A" durante cerca de 2 segundos. Os visores das 4 zonas de cozedura apresentam "0". Se, num período de 20 segundos, nenhuma das zonas de cozedura for ativada, a placa desliga-se automaticamente como medida de segurança.

LIGAR E AJUSTAR AS ZONAS DE COZEDURA

Prima uma dos botões "B" correspondente à zona de cozedura que pretende utilizar. Seleccione a temperatura desejada usando os botões "E" ou "C". As outras definições de cozedura seleccionáveis variam entre 1 e 9. Prima os botões "+/-" em simultâneo para cancelar todas as definições.

IMPORTANTE: O controlo é desativado 10 segundos após ter selecionado a definição de temperatura.

Para alterar a definição de temperatura, prima primeiro o botão de seleção "B" de novo e depois altere a definição usando os botões "E" ou "C".

TIMER

Para definir a função do Temporizador, seleccione a zona de cozedura desejada e a definição de potência, premindo de seguida a tecla da zona de cozedura de novo. Aparecerá um ponto luminoso no visor da zona de cozedura controlada pelo temporizador. Nos 2 visores piscará o número "00". Prima os botões "C" ou "E" para definir o tempo entre 1 e 99.

IMPORTANTE: Decorridos 10 segundos, o visor do temporizador apresenta a definição de potência das outras zonas de cozedura.

Para ver o tempo de cozedura restante, prima duas vezes a tecla da zona de cozedura controlada por temporizador.

FUNÇÃO A

Esta função permite diminuir automaticamente o nível de potência da zona de cozedura do valor mais elevado (nível 9) para o nível selecionado pelo utilizador para um momento posterior de cozedura.

Para ativar esta função, comece por premir o botão "+" quando o nível 9 é alcançado.

O ecrã apresenta "A" e "9" pisca alternadamente com um brilho baixo.

Neste momento, escolhe o nível de potência desejado (inferior a 9) com o botão “-”.

“A” e o nível selecionado irão piscar alternadamente com um brilho reduzido no ecrã.

A função é ativada logo que “A” e o nível selecionado pisquem alternadamente com um brilho elevado no ecrã.

Assim que “A” já não estiver visível no ecrã (a função “A” desliga-se automaticamente após vários minutos, dependendo do nível de potência definido), o processo de cozedura continua com uma potência mais baixa e o ecrã apresenta apenas o nível de potência selecionado.

NOTA: esta função não é possível com o nível 9.



BLOQUEIO DOS BOTÕES

A função Bloqueio dos botões é ativada fixando o botão “D” até que um ponto se acenda acima do botão de função. O painel de controlo fica bloqueado, à exceção da função que permite desligar. A função permanece ativa mesmo após a placa ser desligada e ligada de novo e pode ser desativada premindo o botão “D” de novo até que o ponto acima do botão de função se apague.

Quando a placa está desligada com o bloqueio dos botões ativado para ativar a placa, comece por desativar a função de bloqueio dos botões premindo o botão “D” novamente até o ponto acima do botão da função apagar-se.

A presença de água, líquido derramado de painéis ou quaisquer objetos que fiquem sobre os controlos, podem ativar ou desativar acidentalmente o bloqueio dos botões.



INDICADOR DE CALOR RESIDUAL

Quando a zona de cozedura é desligada, o indicador de calor residual “H” permanece ligado ou pisca alternando com “0” até que a temperatura da placa volte aos níveis de segurança.

IMPORTANTE: As funções de segurança da placa incluem uma função para desligar automaticamente. A utilização prolongada da mesma temperatura, faz desligar automaticamente a zona de cozedura (por exemplo, após cerca de 1 hora com a temperatura máxima, a zona de cozedura desliga-se).

IMPORTANTE: Para evitar danos permanentes na placa:

- não utilize painéis com bases que não sejam totalmente planas;
- não utilize painéis metálicas com bases em esmalte;
- não coloque painéis/tachos quentes sobre o painel de controlo.

A placa dispõe ainda de uma função de “desativação automática” que desliga a zona de cozedura automaticamente caso não exista qualquer alteração do nível de potência após um período específico, dependendo da própria definição de potência. Na tabela abaixo, apresenta-se o tempo para a desativação automática para cada nível de potência.

NÍVEL DE POTÊNCIA	TEMPO DESATIVAÇÃO AUTOMÁTICA
0	30 segundos
1	10 horas
2	5 horas
3	5 horas
4	4 horas
5	3 horas
6	2 horas
7	2 horas
8	2 horas
9	1 hora

TABELA DE COZEDURA

NÍVEL DE POTÊNCIA		TIPO DE COZEDURA	NÍVEL DE UTILIZAÇÃO (indica a experiência e os hábitos de cozedura)
Potência máxima	9	Cozer	Ideal para aumentar rapidamente a temperatura dos alimentos, para uma rápida ebulição no caso de água ou para aquecer rapidamente líquidos.
	9 – 8	Selar	Ideal para alourar, começar a cozinhar, fritar produtos congelados, ferver rapidamente.
Alta potência	8 – 7	Alourar - manter a fervura - grelhar	Ideal para alourar, manter uma temperatura de fervura elevada, cozinhar e grelhar (curta duração, 5-10 minutos).
	7 – 6	Fritar – cozer – grelhar	Ideal para manter uma temperatura de fervura baixa, cozinhar e grelhar (duração média, 10-20 minutos), preaquecer e fritar.
Média potência	6 – 5	Fritura suave	Ideal para estrelar ovos e cozinhar omeletes.
	5 – 4	Cozedura – cozedura lenta – guisar	Ideal para cozedura prolongada (arroz, molhos, assados, peixe) com líquidos (exemplo: água, vinho, caldo, leite), massa cremosa.
	4 – 3	Engrossar – massa cremosa	
Baixa potência	2 – 1	Manter os alimentos quentes – risotos cremosos	Ideal para manter quentes os alimentos acabados de cozinhar (exemplo: molhos, sopas, sopa minestrone), risotos cremosos e manter os pratos quentes.
Potência mínima	1	Descongelação	Ideal para descongelar produtos de pequenas dimensões e derreter suavemente chocolate ou manteiga.
Potência zero	0	-	Placa em modo de espera ou desligada (potencial calor residual de fim de cozedura indicado pela letra “H”).

LIMPEZA E MANUTENÇÃO

Desligue o aparelho da corrente elétrica.

- Não utilize aparelhos de limpeza a vapor.
- Não utilize esponjas abrasivas nem esfregões de palha de aço, pois podem danificar o vidro.
- Após cada utilização, limpe a placa (após arrefecer) para remover quaisquer depósitos e manchas originadas por resíduos de alimentos.

- Açúcar ou alimentos com elevado conteúdo de açúcar podem danificar a placa e devem ser removidos de imediato.
- Sal, açúcar e areia riscam a superfície de vidro.
- Use um pano macio, papel de cozinha absorvente ou um produto de limpeza específico para placas (siga as instruções do fabricante).
- Os derrames de líquidos nas zonas de cozedura podem fazer com que os tachos se desloquem ou vibrem.
- Depois de limpar a placa, seque-a bem.

Hotpoint

ARISTON

RESOLUÇÃO DE PROBLEMAS

Se a placa não funcionar devidamente, antes de contactar o Serviço Pós-Venda, consulte o Guia para Resolução de Problemas para determinar qual o problema.

- Leia e siga as instruções contidas na secção "Utilização Diária".
- Verifique se o abastecimento de eletricidade não foi desligado.
- Seque a placa completamente antes de a limpar.
- Se tiver sido seleccionada uma zona de cozedura e um "F" ou um "ER" aparecer no ecrã seguido de um número, contacte o Serviço Pós-venda e informe-os.
- Se o código de erro for "F03", "ER03" ou "E02", tente resolvê-lo seguindo estas instruções:
 - Se o erro "E02" aparecer, por favor certifique-se de que não tem estado a carregar em botões durante mais de 5 segundos, não existem objetos na área HMI e esta está limpa e seca - ao limpar, por favor siga o parágrafo sobre "Limpeza e Manutenção".
 - Se o erro "F03" aparecer, tente ligar e desligar a placa novamente.
 - Se o erro "F04" aparecer, contacte o Serviços Pós-venda e informe-os sobre qual o código a ser apresentado.
- Se a placa do fogão não funcionar após uma utilização intensa, significa que a temperatura interna da placa está demasiado elevada. Aguarde alguns minutos até a placa arrefecer.

- Se o aquecedor não permanece ligado continuamente mas for ativado e desativado de forma cíclica mesmo que o nível de potência se mantenha inalterado, tal faz parte do normal funcionamento da placa. O ciclo On/Off (ativação/desativação) permite a regulação da potência do aquecedor, sendo completamente normal. Em alguns casos, a proteção térmica pode desativar o aquecedor durante algum tempo para evitar danos no vidro. Exemplos de tais situações: utilização da placa durante um longo período a um nível de potência elevado, utilizando painéis menores que o elemento de aquecimento e não utilizando de painéis cujo fundo não é plano.
- Se a placa estiver a emitir um breve som sem o cliente premir nenhum botão, verifique se existem derrames de líquidos na HMI. Por favor, seque a HMI e continue a utilizar a placa. Se a placa tiver sido desligada automaticamente, tal poderá ter sido causado pela presença de líquido na HMI. Por favor, seque a HMI e volte a ligar a placa.

Se, após efetuar as verificações acima indicadas, o problema persistir, contacte o Serviço Pós-Venda mais próximo.

SERVIÇO PÓS-VENDA

Para beneficiar de uma assistência mais completa, registre o seu produto em www.hotpoint.eu/register.

ANTES DE CONTACTAR O SERVIÇO PÓS-VENDA:

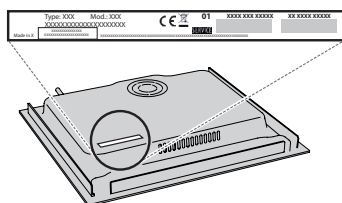
1. Tente solucionar o problema sozinho com a ajuda das sugestões fornecidas na secção de **RESOLUÇÃO DE PROBLEMAS**.
2. Desligue e volte a ligar o aparelho para verificar se o problema ficou resolvido.

SE O PROBLEMA PERSISTIR APÓS ESSAS VERIFICAÇÕES, CONTACTE O SERVIÇO PÓS-VENDA MAIS PRÓXIMO.

Para receber assistência, contacte o número indicado no livrete da garantia ou siga as instruções existentes no site www.hotpoint.eu.

Quando contactar o nosso Serviço de Pós-venda indique sempre:

- uma breve descrição da anomalia;
- o tipo e o modelo exato do aparelho;



- o número de série (número situado após a palavra SN na chapa de características localizada por baixo do aparelho). O número de série também se encontra indicado na documentação;



- a sua morada completa;
- o seu número de telefone.

Se for necessário efetuar alguma reparação, contacte um Serviço de Assistência Técnica autorizado (para garantir a utilização de peças sobressalentes originais e uma reparação correta).

As políticas, a documentação padrão e as informações de produto adicionais poderão ser consultadas:

- Utilizar o código QR no seu aparelho;
- Visitando o nosso website docs.hotpoint.eu;
- Em alternativa, **contacte o nosso Serviço Pós-venda** (através do número de telefone contido no livrete da garantia). Ao contactar o nosso Serviço Pós-Venda, indique os códigos fornecidos na placa de identificação do seu produto.

