

SAFETY INSTRUCTIONS

⚠ These instructions are valid if the country symbol appears on the appliance. If the symbol doesn't appear on the appliance, it is necessary to refer to the technical instructions which will provide the necessary instructions concerning modification of the appliance to the conditions of use of the country.

⚠ **CAUTION:** The use of the gas cooking appliance results in the production of heat, moisture and products of combustion in the room in which it is installed. Ensure that the kitchen is well ventilated especially when the appliance is in use: keep natural ventilation holes open or install a mechanical ventilation device (mechanical extractor hood). Prolonged intensive use of the appliance may call for additional ventilation, such as opening a window, or more effective ventilation, for example increasing the level of mechanical ventilation (if possible).

⚠ Failure to follow the information in this manual exactly may cause a fire or explosion, resulting in property damage or personal injury.

Before using the appliance, read these safety instructions. Keep them nearby for future reference.

These instructions and the appliance itself provide important safety warnings, to be observed at all times. The manufacturer declines any liability for failure to observe these safety instructions, for inappropriate use of the appliance or incorrect setting of controls.

⚠ **WARNING:** If the hob surface is cracked, don't use the appliance – risk of electrical shock.

⚠ **WARNING:** Danger of fire: Do not store items on the cooking surfaces.

⚠ **CAUTION:** The cooking process has to be supervised. A short cooking process has to be supervised continuously.

⚠ **WARNING:** Unattended cooking on a hob with fat or oil can be dangerous – risk of fire. NEVER try to extinguish a fire with water, but switch off the appliance and then cover flame e.g. with a lid or a fire blanket.

⚠ Do not use the hob as a work surface or support. Keep clothes or other flammable materials away from the appliance, until all the components have cooled down completely – risk of fire.

⚠ Very young children (0-3 years) should be kept away from the appliance. Young children (3-8 years) should be kept away from the appliance unless continuously supervised. Children from 8 years old and above and persons with reduced physical, sensory or mental capabilities or lack of experience and knowledge can use this appliance only if they are supervised or have been given instructions on safe use and understand the hazards involved. Children must not play with the appliance. Cleaning and user maintenance must not be carried out by children without supervision.

⚠ **CAUTION:** In case of hotplate glass breakage: shut immediately off all burners and any electrical heating element and isolate the appliance from the power supply; do not touch the appliance surface; do not use the appliance.

IMPORTANT TO BE READ AND OBSERVED

The glass lid can break in if it is heated up. Turn off all the burners and the electric plates before closing the lid. Do not shout down lid when burner alight.

⚠ **WARNING:** The appliance and its accessible parts become hot during use. Care should be taken to avoid touching heating elements. Children less than 8 years of age must be kept away unless continuously supervised.

⚠ The food must not be left in or on the product for more than one hour before or after cooking.

PERMITTED USE

⚠ **CAUTION:** the appliance is not intended to be operated by means of an external switching device, such as a timer, or separate remote controlled system.

⚠ This appliance is intended to be used in household and similar applications such as: staff kitchen areas in shops, offices and other working environments; farm houses; by clients in hotels, motels, bed & breakfast and other residential environments.

⚠ No other use is permitted (e.g. heating rooms).

⚠ This appliance is not for professional use. Do not use the appliance outdoors.

⚠ Use pots and pans with bottoms the same width as that of the burners or slightly larger (see specific table). Make sure pots on the grates do not protrude beyond the edge of the hob.

⚠ Improper use of the grids can result in damage to the hob: do not position the grids upside down or slide them across the hob.

Do not let the burner flame extend beyond the edge of the pan.

If the hob surface is in glass material, do not use the cast iron griddles, ollar stones, terracotta pots and pans.

Do not use: heat diffusers such as metal mesh, or any other types; two burners simultaneously for one receptacle (e.g. Fish kettle).

Should particular local conditions of the delivered gas make the ignition of burner difficult, it is advisable to repeat the operation with the knob turned to small flame setting.

In case of installation of a hood above the cooktop, please refer to the hood instructions for the correct distance.

The protective rubber feet on the grids represent a choking hazard for young children. After removing the grids, please ensure that all the feet are correctly fitted.

INSTALLATION

⚠ The appliance must be handled and installed by two or more persons - risk of injury. Use protective gloves to unpack and install - risk of cuts.

⚠ The electrical and gas connections must comply with local regulation.

⚠ Installation, including water supply (if any) and electrical connections, and repairs must be carried out by a qualified technician. Do not repair or replace any part of the appliance unless specifically stated in the user manual. Keep children away from the installation site. After unpacking the appliance, make sure that it has not been damaged during transport. In the event of problems, contact the dealer or your nearest After-sales Service. Once installed, packaging waste (plastic, styrofoam parts etc.) must be stored out of reach of children - risk of suffocation. The appliance must be disconnected from the power supply before any installation operation - risk of electrical shock. During installation, make sure the

appliance does not damage the power cable - risk of fire or electrical shock. Only activate the appliance when the installation has been completed.

⚠ **WARNING:** Modification of the appliance and its method of installation are essential in order to use the appliance safely and correctly in all the additional countries.

⚠ Use pressure regulators suitable for the gas pressure indicated in the instruction.

⚠ The room must be equipped with an air extraction system that expels any combustion fumes.

⚠ The room must also allow proper air circulation, as air is needed for combustion to occur normally. The flow of air must not be less than 2 m³/h per kW of installed power.

⚠ The air circulation system may take air directly from the outside by means of a pipe with an inner cross section of at least 100 cm²; the opening must not be vulnerable to any type of blockages.

⚠ The system can also provide the air needed for combustion indirectly, i.e. from adjacent rooms fitted with air circulation tubes as described above. However, these rooms must not be communal rooms, bedrooms or rooms that may present a fire hazard.

⚠ Liquid petroleum gas sinks to the floor as it is heavier than air. Therefore, rooms containing LPG cylinders must also be equipped with vents to allow gas to escape in the event of a leak. As a result LPG cylinders, whether partially or completely full, must not be installed or stored in rooms or storage areas that are below ground level (cellars, etc.). It is advisable to keep only the cylinder being used in the room, positioned so that it is not subject to heat produced by external sources (ovens, fireplaces, stoves, etc.) which could raise the temperature of the cylinder above 50°C.

Should you experience difficulty in turning the burner knobs, please contact After Sales Service for replacement of the burner tap if found to be faulty.

The openings used for the ventilation and dispersion of heat must never be covered.

⚠ Carry out all cabinet cutting works before fitting the appliance in the furniture and remove all wood chips and sawdust.

⚠ If the appliance is not installed above an oven, a separator panel (not included) must be installed in the compartment under the appliance.

GAS CONNECTION

⚠ **WARNING:** Prior to installation, ensure that the local distribution conditions (type of gas and gas pressure) and the adjustment of the appliance are compatible.

⚠ Check that the pressure of the gas supply is consistent with the values indicated in "Burner and nozzle specifications" table.

⚠ **WARNING:** The configuration conditions for this appliance are stated on the label (or data plate).

⚠ **WARNING:** This appliance is not connected to a combustion products evacuation device. It must be installed and connected in accordance with current installation regulations. Particular attention must be paid to the relevant requirements regarding ventilation.

⚠ If the appliances is connected to liquid gas, the regulation screw must be fastened as tightly as possible.

⚠ **IMPORTANT:** When the gas cylinder or gas container is installed, it must be properly settled (vertical orientation).

⚠ **WARNING:** This operation must be performed by a qualified technician.

⚠ Use only flexible or rigid metal hose for gas connection.

⚠ Connection with a rigid pipe (copper or steel)

Connection to the gas system must be carried out in such a way as not to place any strain of any kind on the appliance.

There is an adjustable L-shaped pipe fitting on the appliance supply ramp and this is fitted with a seal in order to prevent leaks. The seal must always be replaced after rotating the pipe fitting (the seal is provided with the appliance). The gas supply pipe fitting is a threaded 1/2 gas cylindrical male attachment.

⚠ Connecting a flexible jointless stainless steel pipe to a threaded attachment.

The gas supply pipe fitting is a threaded 1/2 gas cylindrical male attachment. These pipes must be installed so that they are never longer than 2000 mm when fully extended. Once connection has been carried out, make sure that the flexible metal pipe does not touch any moving parts and is not compressed. Only use pipes and seals that comply with current National regulations.

⚠ **IMPORTANT:** If a stainless steel hose is used, it must be installed so as not to touch any mobile part of the furniture (e.g. drawer). It must pass through an area where there are no obstructions and where it is possible to inspect it on all its length.

⚠ The appliance should be connected to the main gas supply or to gas cylinder in compliance with the current national regulations. Before making the connection, make sure that the appliance is compatible with the gas supply you wish to use. If this is not the case, follow the instructions indicated in the paragraph "Adapting to different types of gas".

⚠ After connection to the gas supply, check for leaks with soapy water. Light up the burners and turn the knobs from maximum position 1* to minimum position 2* to check flame stability.

ADAPTING TO DIFFERENT TYPES OF GAS

(This operation needs to be carried out by a qualified technician).

⚠ In order to adapt the appliance to a type of gas other than the type for which it was manufactured (indicated on the rating label), follow the dedicated steps provided after installation drawings.

ELECTRICAL WARNINGS

⚠ **IMPORTANT:** Information about current and voltage consumption is provided on the rating plate.

⚠ It must be possible to disconnect the appliance from the power supply by unplugging it if plug is accessible, or by a multi-pole switch installed upstream of the socket in accordance with the wiring rules and the appliance must be earthed in conformity with national electrical safety standards.

⚠ The power cable must be long enough to connect the appliance, once fitted in its housing, to the main power supply. Do not pull the power supply cable.

⚠ Do not use extension leads, multiple sockets or adapters. The electrical components must not be accessible to the user after installation. Do not use the appliance when you are wet or barefoot. Do not operate this appliance if it has a damaged power cable or plug, if it is not working properly, or if it has been damaged or dropped.

⚠ If the supply cord is damaged, it must be replaced with an identical one by the manufacturer, its service agent or similarly qualified persons in order to avoid a hazard - risk of electrical shock.

CLEANING AND MAINTENANCE

⚠ **WARNING:** Ensure that the appliance is switched off and disconnected from the power supply before performing any maintenance operation; never use steam cleaning equipment - risk of electric shock.

⚠ Do not use abrasive or corrosive products, chlorine-based cleaners or pan scourers.

⚠ To avoid damaging the electric ignition device, do not use it when the burners are not in their housing.

DISPOSAL OF PACKAGING MATERIALS

The packaging material is 100% recyclable and is marked with the recycle symbol



The various parts of the packaging must therefore be disposed of responsibly and in full compliance with local authority regulations governing waste disposal.

DISPOSAL OF HOUSEHOLD APPLIANCES

This appliance is manufactured with recyclable or reusable materials. Dispose of it in accordance with local waste disposal regulations. For further information on the treatment, recovery and recycling of household electrical appliances, contact your local authority, the collection service for household waste or the store where you purchased the appliance. This appliance is marked in compliance with European Directive 2012/19/EU, Waste Electrical and Electronic Equipment (WEEE) and with the Waste Electrical and Electronic Equipment regulations 2013 (as amended).

By ensuring this product is disposed of correctly, you will help prevent negative consequences for the environment and human health.

The symbol  on the product or on the accompanying documentation indicates that it should not be treated as domestic waste but must be taken to an appropriate collection center for the recycling of electrical and electronic equipment.

ENERGY SAVING TIPS

Use pots and pans with bottom width equal to that of the cooking zone.

Only use flat-bottomed pots and pans.

When possible, keep pot lids on during cooking.

Use a pressure cooker to save even more energy and time.

DECLARATION OF CONFORMITY

This appliance meets Ecodesign requirements of European Regulation 66/2014 and The Ecodesign for Energy-Related Products and Energy Information (Amendment) (EU Exit) Regulations 2019 in compliance with the European standard EN 30-2-1.

The information related to low power mode of the appliance in accordance with Regulation (EU) 2023/826 can be found in the following link: <https://docs.emeaappliance-docs.eu>.

BURNER AND NOZZLE SPECIFICATIONS
CATEGORY II2H3+

Type of gas used	Type of burner	Injector marking	Rated thermal flow rate kW	Rated consumption	Reduced heat capacity kW	Gas pressure mbar		
						min.	rat.	max.
NATURAL GAS (Methane) G20	Semi-rapid (SR)	95 Z	1,65	157 l/h	0,40	17	20	25
	Auxiliary (AUX)	72 X	1,00	95 l/h	0,40			
	2 Crown (DC)	138 A	3,50	333 l/h	1,65			
LIQUEFIED PETROLEUM GAS (Butane) G30	Semi-rapid (SR)	63	1,65	120 g/h	0,40	20	28-30	35
	Auxiliary (AUX)	50	1,00	73 g/h	0,40			
	2 Crown (DC)	91	3,50	254 g/h	1,65			
LIQUEFIED PETROLEUM GAS (Propane) G31	Semi-rapid (SR)	63	1,65	118 g/h	0,40	25	37	45
	Auxiliary (AUX)	50	1,00	71 g/h	0,40			
	2 Crown (DC)	91	3,50	250 g/h	1,65			

Type of gas used	Model configuration 4 BURNERS	Rated thermal flowrate (kW)	Total rated consumption	Air required (m ³) for burning 1m ³ of gas
G20 20 mbar	2SR - 1AUX - 1DC	7,80	743 l/h	9,52
G30 28-30 mbar	2SR - 1AUX - 1DC	7,80	567 g/h	30,94
G31 37 mbar	2SR - 1AUX - 1DC	7,80	557 g/h	23,80

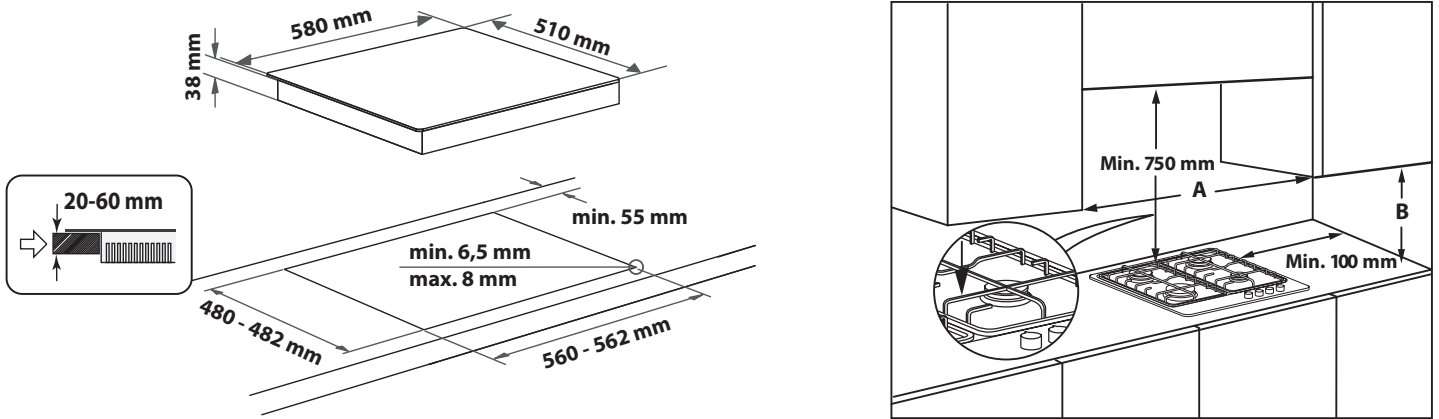
ELECTRIC SUPPLY: 220-240 V ~ 50-60 Hz - 0,6W


INSTALLATION (CLASS 3)

TECHNICAL INFORMATION FOR THE INSTALLER

- Use protective gloves for handling, preparing and installing the product.
- This product can be embedded in a worktop 20 ÷ 60 mm thick.
- If there is no oven beneath the hob, insert a separator panel that has a surface at least equal to the opening in the work surface. This panel must be positioned at a maximum distance of 150 mm below the upper surface of the work surface but, in no case less than 20 mm from the bottom of the hob. In the case that you intend to install an oven beneath the hob, make sure that it is equipped with a cooling system.

DIMENSIONS AND DISTANCES TO BE MAINTAINED



NOTE: If distance "A" between the kitchen cabinets is between 600 mm and 730 mm, height "B" must be at least 530 mm. If distance "A" between the kitchen cabinets is greater than the width of the hob, height "B" must be at least 400 mm. If a hood is installed above the hob, refer to the assembly instructions for the hood to see the necessary distance.

ASSEMBLY

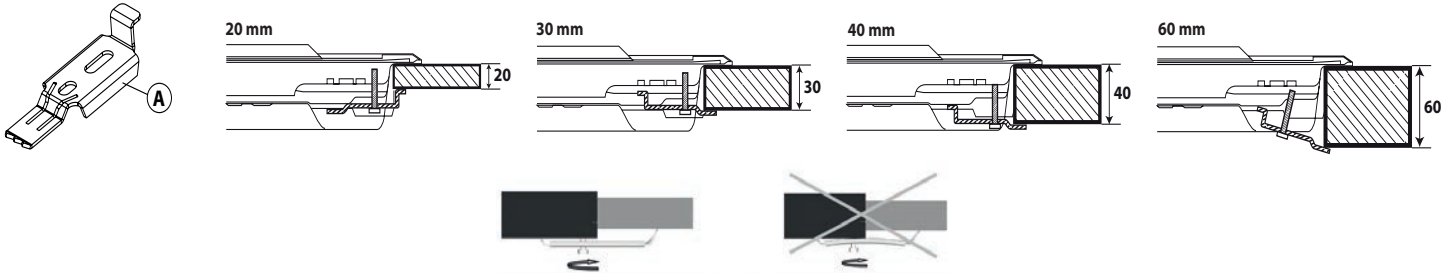
After having cleaned the perimeter surface, apply the supplied gasket to the hob as shown in the figure.

Position the hob in the worktop opening made respecting the dimensions indicated in the Instruction.



NOTE: the power supply cable must be long enough to permit its upward extraction.



To secure the hob, use the brackets (A) provided with it. Fit the brackets into the relevant bores shown by the arrow and fasten them by means of their screws in accordance with the thickness of the worktop (see the following figures).

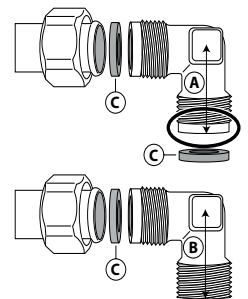


GAS CONNECTION

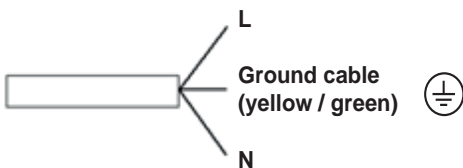
- Connect elbow (A)* or (B)* supplied with to the hob inlet main pipe and interpose the washer (C) supplied, in compliance with EN 549.

* Use elbow (A) for France and elbow (B) for all other destinations.

- After connection to the gas supply, check for leaks with soapy water. Light up the burners and turn the knobs from maximum position  to minimum position  to check flame stability.



ELECTRICAL CONNECTION



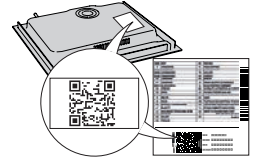


THANK YOU FOR BUYING A HOTPOINT/ARISTON PRODUCT
In order to receive a more complete assistance, please register your product on www.register10.eu.

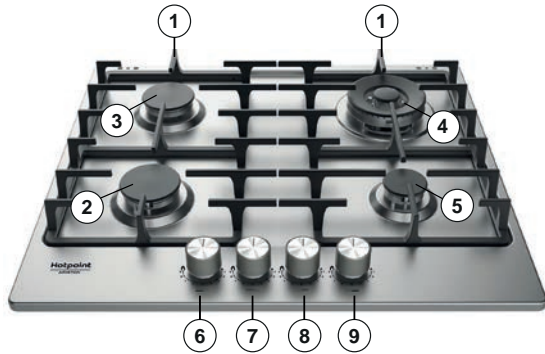


Before using the appliance carefully read the Safety Instruction.

PLEASE SCAN THE QR CODE ON YOUR APPLIANCE IN ORDER TO REACH MORE INFORMATION



PRODUCT DESCRIPTION



1. Removable panstand grids
2. Semi-rapid burner
3. Semi-rapid burner
4. 2 Crown burner
5. Auxiliary burner
6. Semi-rapid burner control knob
7. Semi-rapid burner control knob
8. 2 Crown burner control knob
9. Auxiliary burner control knob

Symbols

- Shaded circle ● Tap closed
- Large flame 🔥 Maximum opening/delivery and electric ignition
- Small flame 🔥 Minimum opening or reduced delivery

DAILY USE

HOW TO USE THE HOB

⚠ Do not let the burner flame extend beyond the edge of the pan.

IMPORTANT: when the hob is in use, the entire hob area may become hot.

- To ignite one of the burners, turn the relative knob anti-clockwise to the maximum flame setting.
- Press the knob against the control panel to ignite the burner.
- After the burner has ignited, keep the knob pressed for about 5-10 seconds to allow proper device operation.
- This burner safety device shuts off the gas supply to the burner if the flame goes out accidentally (because of sudden draught, an interruption in the gas delivery, boiling over liquids, etc.).
- **The knob must not be pressed for more than 15 sec. If, after that time has elapsed, the burner does not remain lit, wait at least one minute before trying to light it again.**

NOTE: should particular local conditions of the delivered gas make the ignition of burner difficult, it is advisable to repeat the operation with the knob turned to the small flame setting.

The burner might go out when the knob is released. This means that the safety device has not warmed up enough. In this case, repeat the operations described above.

If the burner flame is accidentally extinguished, switch off the burner control and do not try to ignite for at least 1 minute.

PRACTICAL ADVICE FOR USING THE BURNERS

This hob has burners of different diameters. For better burner performance, please stick to the following rules:

- use pots and pans with bottoms the same width as that of the burners or slightly larger (see table on the right);
- only use flat-bottomed pots and pans;
- use the correct amount of water for cooking foods and keep the pot covered;
- make sure pots on the grates do not protrude beyond the edge of the hob;
- In the case of pans with convex bottoms (WOK), use the support grille (not provided), which should be positioned only on the multi-ring burner;
- avoid accidentally knocking the hob with pans, racks or other kitchen utensils;
- do not leave empty steak grills over the lit burner for longer than 5 minutes.

IMPORTANT: improper use of the grids can damage the hob: do not position the grids upside down or slide them across the hob.

BURNER	POT Ø
2 Crown	From 24 to 26 cm
Semi-rapid	From 16 to 20 cm
Auxiliary	From 8 to 14 cm

Do not use:

- cast iron griddles, ollar stones, terracotta pots and pans;
- heat diffusers such as metal mesh, or any other types;
- two burners simultaneously for one receptacle (e.g. fish kettle).

ADAPTING TO DIFFERENT TYPES OF GAS

⚠ This operation must be performed by a qualified technician.

If the appliance is intended to operate with a different gas from the gas type stated on the rating plate and information label on the top of the hob, change the injectors.

Remove the information label and keep it with the instructions booklet.

Use pressure regulators suitable for the gas pressure indicated in the Instruction:

- the gas injector must be changed by After Sales Service or a qualified technician;
- injector not supplied with the appliance must be ordered from After Sales Service;
- adjust the minimum setting of the taps.

NOTE: when liquid petroleum gas is used (G30/G31), the minimum gas setting screw must be tightened as far as it will go.

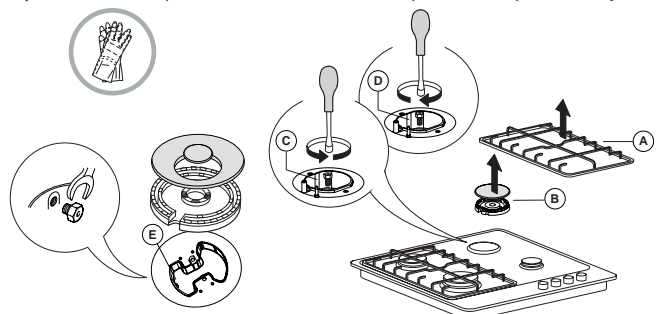
IMPORTANT: should you experience difficulty in turning the burners knobs, please contact the After Sales Service for the replacement of the burner tap if found to be faulty.

IMPORTANT: when gas cylinder is adopted, the gas cylinder or gas container must be properly settled (vertical orientation).

REPLACING THE INJECTORS (see the injector table in the Safety instructions)

⚠ This operation must be performed by a qualified technician.

- Remove grids (A).
- Extract burners (B).
- Using a socket spanner of the appropriate size unscrew the injector (C), to be replaced.
- Replace it with the injector suitable for the new type of gas.
- Re-assemble the injector in (D).
- If you have a multiple crown burner, use a side spanner to replace the injector (E).



Before installing the hob, remember to affix the gas calibration plate supplied with the injectors in such a way that it covers the existing information relating to gas calibration.

ADJUSTING MINIMUM GAS SETTING OF TAPS

⚠ This operation must be performed by a qualified technician.

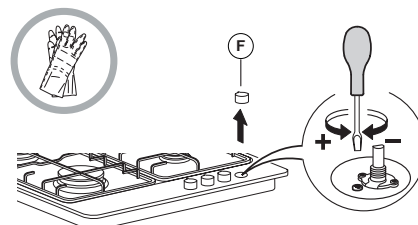
The adjustment must be performed with the tap in a minimum gas setting position (small flame).

The primary air of the burners does not need to be adjusted.

To ensure that the minimum setting is correctly adjusted, remove the knob (F) and proceed as follows:

- tighten the screw to reduce the flame height (-);
- loosen the screw to increase the flame height (+).

At this stage, light up the burners and turn the knobs from max. position to minimum position to check flame stability.



Upon completion of adjustment, reseal using sealing wax or an equivalent material.

COOKING TABLE

LEVEL	COOKING METHOD/TYPE (SUGGESTED FOR)	COOKING TIPS
1-2	KEEP WARM	Ideal for softening butter, gently melting chocolate in bagnemarie, thawing small portions, creaming risotto.
	GENTILE COOK	
3-4	SIMMERING	Ideal for slow-cook recipes (rice, sauces, roast, fish) using liquids (water, wine, broth), and for creaming pasta, maintaining a gentle boiling.
	STEWING	
5-6	ROASTING	Ideal for sauteing, stewing vegetables, cooking for longer period, preheating accessories, cooking until creamy.
	FRYING	
7-8	STIR FRYING	Ideal for browning, starting to cook, bringing liquids to the boil quickly, frying deep-frozen products, grilling meat and fish, maintaining a lively boil.
	GRILLING	
9	FAST HEATING	Ideal for rapidly increasing the temperature of food or for heating up liquids (water).

CLEANING AND MAINTENANCE

⚠ Disconnect the appliance from the power supply.

CLEANING THE HOB SURFACE

- All the enamelled and glass parts should be cleaned with warm water and a neutral solution.
- Stainless steel surfaces may be stained by calcareous water or aggressive detergents if left in contact for too long. Any food spills (water, sauce, coffee, etc.) should be wiped away before they dry.
- Clean with warm water and neutral detergent, and then dry with a soft cloth or chamois. Remove baked-on dirt with specific cleaners for stainless steel surfaces.

NOTE: clean stainless steel only with soft cloth or sponge.

- Do not use abrasive or corrosive products, chlorine-based cleaners or pan scourers.
- Do not use steam cleaning appliances.
- Do not use flammable products.
- Do not leave acid or alkaline substances, such as vinegar, mustard, salt, sugar or lemon juice on the hob.

CLEANING THE HOB PARTS

- Clean glass and enamelled parts only with soft cloth or sponge.
- Grids, burner caps and burners can be removed to be cleaned.
- Clean them by hand with warm water and non-abrasive detergent, removing any food residues and checking that none of the burner openings is clogged.
- Rinse and dry.
- **The cast-iron grates may be cleaned in the dishwasher. Remove any burnt-on food before placing the grates in the lowest rack in the dishwasher.**
- Refit burners and burner caps correctly in the respective housings.
- When replacing the grids, make sure that the panstand area is aligned with the burner.
- Models equipped with electrical ignition plugs and safety device require thorough cleaning of the plug end in order to ensure correct operation. Check these items frequently, and if necessary, clean them with a damp cloth. Any baked-on food should be removed with a toothpick or needle.

NOTE: to avoid damaging the electric ignition device, do not use it when the burners are not in their housing.

Hotpoint

ARISTON

If the hob does not operate correctly, before calling the After-Sales Service, refer to the Troubleshooting Guide to determine the problem

1. The burner fails to ignite, or the flame is not even

Check that:

- the gas or electrical supplies are not shut off and especially that the gas supply tap is open;
- the gas cylinder (liquid gas) is not empty;
- the burner openings are not clogged;
- the plug end is not dirty;
- all the burner parts have been positioned correctly;
- there are no draughts near the hob.

2. The burner does not stay lit

Check that:

- when lighting the burner, the knob has been pressed for enough time to activate the protection device;
- the burner openings are not clogged near the thermocouple;
- the end of the safety device is not dirty;
- the minimum gas setting is correct (see relevant paragraph).

3. The containers are not stable

Check that:

- the bottom of the container is perfectly flat;
- the container is centred on the burner;
- the grids have not been exchanged or positioned incorrectly.

If after the above checks the fault still occurs, get in touch with the nearest After Sales Service.

AFTER-SALES SERVICE

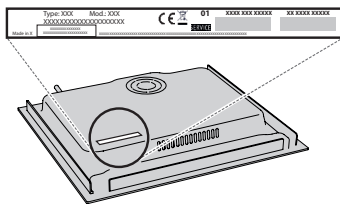
BEFORE CALLING THE AFTER-SALES SERVICE:

1. See if you can solve the problem by yourself with the help of the **TROUBLESHOOTING** suggestions.
2. Switch the appliance off and back on again to see if the fault persists.

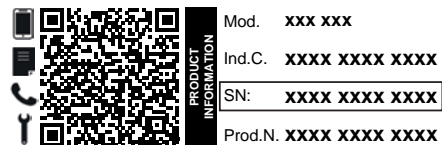
IF AFTER THE ABOVE CHECKS THE FAULT STILL OCCURS, GET IN TOUCH WITH THE NEAREST AFTER-SALES SERVICE.

When contacting our Client After-sales service, always specify:

- a brief description of the fault;
- the type and exact model of the appliance;



- the serial number (number after the word SN on the rating plate located under the appliance). The serial number is also indicated in the documentation;



Mod. **XXX XXX**

Ind.C. **XXXX XXXX XXXX**

SN: **XXXX XXXX XXXX**

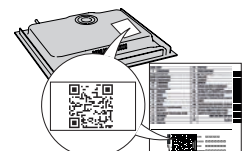
Prod.N. **XXXX XXXX XXXX**

- your full address;
- your telephone number.

If any repairs are required, please contact an authorized after-sales service (to guarantee that original spare parts will be used and repairs carried out correctly).

Policies, standard documentation and additional product information can be found by:

- Using QR code in your appliance;
- Visiting our website **docs.hotpoint.eu**;
- Alternatively, **contact our After-sales Service** (See phone number in the warranty booklet). When contacting our After-sales Service, please state the codes provided on your product's identification plate.



NORME DI SICUREZZA

⚠ Queste istruzioni sono valide se sull'apparecchio è riportato il simbolo del paese. Se il simbolo del paese non è presente sull'apparecchio occorre fare riferimento alle istruzioni tecniche, che contengono le istruzioni necessarie per la modifica dell'apparecchio secondo le condizioni d'uso del paese.

⚠ **ATTENZIONE:** l'uso di apparecchi di cottura a gas causa la produzione di calore, umidità e prodotti di combustione nel locale di installazione. La cucina deve essere ben ventilata, soprattutto durante l'uso dell'apparecchio: tenere aperti i canali di ventilazione naturali o installare un dispositivo di ventilazione meccanica (una cappa di estrazione meccanica). Un uso intensivo e prolungato dell'apparecchio può richiedere una ventilazione supplementare o più efficace, ad esempio l'apertura di una finestra o, se possibile, l'attivazione a una maggiore velocità di un dispositivo di ventilazione meccanica.

⚠ La mancata osservanza delle informazioni contenute in questo manuale può causare rischi di incendio o esplosione, con conseguenti danni materiali o lesioni personali.

Prima di utilizzare l'apparecchio, leggere le seguenti norme di sicurezza. Conservarle per eventuali consultazioni successive.

Questo manuale e l'apparecchio sono corredati da importanti avvertenze di sicurezza, da leggere e rispettare sempre. Il fabbricante declina qualsiasi responsabilità che derivi dalla mancata osservanza delle presenti istruzioni di sicurezza, da usi impropri dell'apparecchio o da errate impostazioni dei comandi.

⚠ **AVVERTENZA:** Se la superficie del piano cottura è incrinata, non utilizzare l'apparecchio per evitare il rischio di folgorazione.

⚠ **AVVERTENZA:** Pericolo di incendio: non appoggiare oggetti sulle superfici di cottura.

⚠ **ATTENZIONE:** Il processo di cottura deve essere sorvegliato. I processi di cottura brevi richiedono una supervisione continua.

⚠ **AVVERTENZA:** La cottura non sorvegliata su un piano di cottura con grasso e olio può essere pericolosa e generare incendi. Non tentare MAI di spegnere le fiamme con acqua. Al contrario, spegnere l'apparecchio e soffocare le fiamme, ad esempio con un coperchio o una coperta antincendio.

⚠ Non utilizzare il piano di cottura come superficie di lavoro o appoggio. Non avvicinare all'apparecchio stoffe o altri materiali infiammabili fino a che tutti i componenti non si siano completamente raffreddati per evitare il rischio di incendi.

⚠ Tenere l'apparecchio fuori dalla portata dei bambini di età inferiore a 3 anni. Senza la sorveglianza costante di un adulto, tenere l'apparecchio fuori dalla portata dei bambini di età inferiore a 8 anni. I bambini di età superiore agli 8 anni, le persone con ridotte capacità fisiche, sensoriali o mentali e le persone che non abbiano esperienza o conoscenza dell'apparecchio potranno utilizzarlo solo sotto sorveglianza, o quando siano state istruite sull'utilizzo sicuro dell'apparecchio e siano consapevoli dei rischi del suo utilizzo. Vietare ai bambini di giocare con l'apparecchio. La pulizia e la manutenzione ordinaria non devono essere effettuate da bambini senza la supervisione di un adulto.

⚠ **ATTENZIONE:** in caso di rottura del vetro del piano di cottura: spegnere immediatamente tutti i bruciatori e le resistenze elettriche e scollegare l'apparecchio dall'alimentazione, non

IMPORTANTE: DA LEGGERE E OSSERVARE

toccare la superficie dell'apparecchio; non utilizzare l'apparecchio.

Il coperchio di vetro può rompersi se viene riscaldato. Prima di chiudere il coperchio, spegnere tutti i bruciatori e le piastre elettriche. Non chiudere il coperchio se i bruciatori sono accesi.

⚠ **AVVERTENZA:** L'apparecchio e i suoi componenti accessibili possono diventare molto caldi durante l'uso. Fare attenzione a non toccare gli elementi riscaldanti. Tenere lontani i bambini di età inferiore agli 8 anni, a meno che non siano costantemente sorvegliati.

⚠ L'alimento non deve essere lasciato nel o sul prodotto per più di un'ora prima o dopo la cottura.

USO CONSENTITO

⚠ **ATTENZIONE:** l'apparecchio non è destinato ad essere messo in funzione mediante un dispositivo di commutazione esterno, ad esempio un temporizzatore, o attraverso un sistema di comando a distanza separato.

⚠ L'apparecchio è destinato all'uso domestico e ad applicazioni analoghe, quali: aree di cucina per il personale di negozi, uffici e altri contesti lavorativi; agriturismo; camere di hotel, motel, bed & breakfast e altri ambienti residenziali.

⚠ Non sono consentiti altri usi (ad esempio, il riscaldamento di locali).

⚠ Questo apparecchio non è destinato all'uso professionale. Non utilizzare l'apparecchio all'aperto.

⚠ Utilizzare pentole e tegami di diametro pari o leggermente superiore al diametro dei bruciatori (vedere la tabella). Evitare che le pentole, posizionate sulle griglie, fuoriescano dal perimetro del piano di cottura.

⚠ L'uso improprio delle griglie potrebbe danneggiare il piano: evitare di appoggiare le griglie capovolte o di trascinarle sul piano.

Non lasciare che la fiamma del bruciatore si estenda oltre il bordo della pentola.

Se la superficie del piano è in vetro, non utilizzare le bisticchiere in ghisa, le pietre di collare, le pentole e le padelle in terracotta.

Non utilizzare: dissipatori di rete metallica o di altro tipo; due bruciatori simultaneamente per la cottura con un solo recipiente (ad esempio una pesciera).

Qualora particolari condizioni del gas erogato localmente rendessero difficoltosa l'accensione del bruciatore, si consiglia di ripetere l'operazione con la manopola ruotata sulla posizione della fiamma piccola.

In caso di installazione di una cappa sul piano di cottura, fare riferimento alle relative istruzioni per la distanza corretta.

I piedini di protezione in gomma sotto le griglie potrebbero essere ingeriti dai bambini piccoli rappresentando il rischio di soffocamento. Dopo avere rimosso le griglie, controllare che tutti i piedini siano montati correttamente.

INSTALLAZIONE

⚠ Per evitare il rischio di lesioni personali, le operazioni di movimentazione e installazione dell'apparecchio devono essere eseguite da almeno due persone. Per evitare rischi di taglio, durante le operazioni di disimballaggio e installazione utilizzare i guanti protettivi.

⚠ I collegamenti di gas ed elettricità devono essere conformi alle norme locali.

⚠ L'installazione, comprendente anche eventuali raccordi per l'alimentazione idrica e i collegamenti elettrici, e gli interventi di riparazione devono essere eseguiti da personale qualificato. Non riparare o sostituire qualsiasi parte dell'apparecchio se non espressamente richiesto nel manuale d'uso. Tenere i bambini a distanza dal luogo dell'installazione. Dopo aver disimballato l'apparecchio, assicurarsi che non sia stato danneggiato

durante il trasporto. In caso di problemi, contattare il rivenditore o il Servizio Assistenza. A installazione completata, conservare il materiale di imballaggio (parti in plastica, polistirolo, ecc.) fuori della portata dei bambini per evitare potenziali rischi di soffocamento. Prima di procedere all'installazione, scollegare l'apparecchio dalla rete elettrica per non correre il rischio di scosse elettriche. Per evitare il rischio di incendio o di folgorazione, durante l'installazione assicurarsi che l'apparecchio non danneggi il cavo di alimentazione. Attivare l'apparecchio solo dopo avere completato la procedura di installazione.

⚠ AVVERTENZA: la modifica dell'apparecchio e del metodo di installazione sono essenziali per il suo utilizzo sicuro e corretto in ogni paese.

⚠ Utilizzare regolatori di pressione idonei alla pressione del gas indicata nelle istruzioni.

⚠ Il locale deve essere provvisto di un sistema di estrazione dell'aria in grado di espellere i fumi prodotti dalla combustione.

⚠ Il locale deve inoltre consentire un'adeguata circolazione dell'aria, in quanto l'aria è necessaria per la normale combustione. Il flusso d'aria non deve essere inferiore a 2 m³/h per ogni kW di potenza installata.

⚠ Il sistema di circolazione può aspirare l'aria direttamente dall'esterno mediante una tubazione con sezione interna non inferiore a 100 cm²; l'apertura non deve essere soggetta ad alcun tipo di ostruzione.

⚠ Il sistema può fornire l'aria necessaria per la combustione anche in modo indiretto, ad esempio da locali adiacenti provvisti di tubazioni di circolazione dell'aria del tipo sopra descritto. Tali locali, tuttavia, non devono essere spazi comuni, camere da letto o stanze che possano presentare rischi d'incendio.

⚠ Il gas di petrolio liquido (GPL) si sposta verso terra perché è più pesante dell'aria. Per questa ragione, i locali che contengano bombole di GPL devono essere provvisti di sfiati che consentano al gas di fuoriuscire in caso di perdite. Le bombole di GPL, anche solo parzialmente piene, non devono essere installate o conservate in locali o aree di deposito situate sotto il piano terreno (cantine, ecc.). È consigliabile tenere nel locale solo la bombola in uso, posizionandola in modo che non sia esposta a fonti di calore esterne (forni, camini, stufe, ecc.) che possano innalzare la temperatura della bombola oltre 50°C.

Se la rotazione delle manopole dei bruciatori dovesse risultare difficoltosa, contattare il Servizio Assistenza, che in caso di rubinetto difettoso provvederà a sostituirlo.

Le aperture utilizzate per la ventilazione e la dispersione del calore non devono mai essere coperte.

⚠ Eseguire tutte le operazioni di taglio del mobile prima di inserire il forno, avendo cura di rimuovere trucioli o residui di segatura.

⚠ Se l'apparecchio non è installato sopra un forno, è necessario installare un pannello divisorio (non in dotazione) nel vano sottostante.

COLLEGAMENTO DEL GAS

⚠ AVVERTENZA: Prima dell'installazione, controllare che le condizioni di distribuzione del locale (tipo e pressione del gas) siano compatibili con la configurazione dell'apparecchio.

⚠ Controllare che la pressione del gas dell'impianto sia in linea con i valori riportati nella Tabella "Specifiche di bruciatori e ugelli".

⚠ AVVERTENZA: le condizioni di configurazione dell'apparecchio sono riportate sull'etichetta (o sulla targhetta matricola).

⚠ AVVERTENZA: questo apparecchio non è collegato a un dispositivo di evacuazione dei prodotti di combustione. l'installazione e l'allacciamento devono essere eseguiti in conformità alle norme vigenti. Prestare particolare attenzione ai requisiti in materia di ventilazione.

⚠ Se l'apparecchio è collegato a un impianto a gas liquido, la vite di regolazione deve essere serrata con la massima forza possibile.

⚠ IMPORTANTE: se si utilizza una bombola di gas o è installato un serbatoio di gas, questi devono essere posizionati correttamente (orientamento verticale).

⚠ AVVERTENZA: questa operazione deve essere eseguita da un tecnico qualificato.

⚠ Per l'allacciamento del gas, utilizzare solo un tubo di metallo flessibile o rigido.

⚠ Collegamento con tubo rigido (rame o acciaio) Il collegamento all'impianto del gas deve essere eseguito in modo da evitare qualsiasi forma di compressione o di trazione sull'apparecchio. Sulla rampa di alimentazione dell'apparecchio si trova un raccordo a L regolabile, provvisto di una guarnizione di tenuta contro le perdite. La guarnizione deve essere riapplicata dopo ogni rotazione del raccordo (la guarnizione è in dotazione con l'apparecchio). Il raccordo per il tubo di mandata del gas è un attacco maschio cilindrico 1/2 filettato.

⚠ Collegamento di un tubo in acciaio inox flessibile senza saldature a un attacco filettato Il raccordo per il tubo di mandata del gas è un attacco maschio cilindrico 1/2 filettato. Questi tubi devono essere installati in modo che la loro estensione completa non superi i 2000 mm di lunghezza. Una volta eseguito il collegamento, controllare che il tubo in metallo flessibile non entri a contatto con parti mobili e non sia compresso. Usare solo tubi e guarnizioni conformi alle norme nazionali vigenti.

⚠ IMPORTANTE: nel caso si utilizzi un tubo in acciaio inox, questo dovrà essere installato in modo da non entrare in contatto con parti mobili (es. cassette). Il tubo deve passare in un'area libera da ingombri e deve essere ispezionabile su tutta la lunghezza.

⚠ L'apparecchio deve essere collegato all'impianto del gas o alla bombola del gas in conformità alle norme nazionali vigenti. Prima di procedere al collegamento, verificare che l'apparecchio sia compatibile con l'impianto di alimentazione del gas che si intende utilizzare. In caso contrario, seguire le istruzioni del paragrafo "Adattamento dell'apparecchio al tipo di gas".

⚠ Dopo il collegamento all'alimentazione del gas, verificare con una soluzione di acqua saponata che non vi siano perdite. Con i bruciatori accesi, ruotare le manopole dalla posizione massima 1* alla posizione minima 2* per verificare la stabilità della fiamma.


ADATTAMENTO DELL'APPARECCHIO AL TIPO DI GAS


(Questa operazione deve essere eseguita da un tecnico qualificato).


⚠ Per adattare l'apparecchio a un tipo di gas diverso da quello per il quale è stato prodotto (indicato sull'etichetta), seguire la procedura riportata dopo i disegni di installazione.


AVVERTENZE ELETTRICHE

 **IMPORTANTE:** Le informazioni sui consumi di corrente e tensione sono riportate sulla targhetta matricola.


 Il cavo di alimentazione deve essere sufficientemente lungo da consentire il collegamento dell'apparecchio, una volta posizionato nell'ubicazione definitiva, alla presa di corrente. Non tirare il cavo di alimentazione.


 Deve essere possibile scollegare l'apparecchio dalla rete elettrica disinserendo la spina, se questa è accessibile, o tramite un interruttore multipolare installato a monte della presa nel rispetto dei regolamenti elettrici vigenti; inoltre, l'apparecchio deve essere messo a terra in conformità alle norme di sicurezza elettrica nazionali.

 Non utilizzare cavi di prolunga, prese multiple o adattatori. Una volta terminata l'installazione, i componenti elettrici non devono più essere accessibili. Non utilizzare l'apparecchio quando si è bagnati oppure a piedi nudi. Non accendere l'apparecchio se il cavo di alimentazione o la spina sono danneggiati, se si osservano anomalie di funzionamento o se l'apparecchio è caduto o è stato danneggiato.

 Se il cavo di alimentazione è danneggiato, deve essere sostituito con uno dello stesso tipo dal produttore, da un centro di assistenza autorizzato o da un tecnico qualificato per evitare situazioni di pericolo o rischi di scosse elettriche.


PULIZIA E MANUTENZIONE

 **AVVERTENZA:** Per evitare rischi di folgorazione, prima di qualsiasi intervento di manutenzione accertarsi che l'apparecchio sia spento e scollegato dall'alimentazione elettrica; non usare in nessun caso pulitrici a getto di vapore.

 Non utilizzare prodotti abrasivi o corrosivi, prodotti a base di cloro o pagliette.

 Per evitare danni all'accensione elettrica, non utilizzarla quando i bruciatori non sono nella loro sede.

SMALTIMENTO DEL MATERIALE DI IMBALLAGGIO


Il materiale di imballaggio è riciclabile al 100% ed è contrassegnato dal simbolo del riciclaggio .

Le varie parti dell'imballaggio devono pertanto essere smaltite responsabilmente e in stretta osservanza delle norme stabilite dalle autorità locali.

SMALTIMENTO DEGLI ELETTRODOMESTICI

Questo prodotto è fabbricato con materiale riciclabile o riutilizzabile. Smaltire il prodotto rispettando le normative locali in materia. Per ulteriori informazioni sul trattamento, il recupero e il riciclaggio degli elettrodomestici, contattare l'ufficio locale competente, il servizio di raccolta dei rifiuti domestici o il negozio presso il quale il prodotto è stato acquistato. Questo apparecchio è contrassegnato in conformità alla direttiva europea 2012/19/UE, Rifiuti di apparecchiature elettriche ed elettroniche (RAEE) e alle norme sui rifiuti di apparecchiature elettriche ed elettroniche 2013 (e successive modifiche).

Assicurandosi che questo prodotto sia smaltito in modo corretto, l'utente contribuisce a prevenire le conseguenze negative per l'ambiente e la salute.

Il simbolo  sul prodotto o sulla documentazione di accompagnamento indica che questo apparecchio non deve essere smaltito come rifiuto domestico, bensì conferito presso un centro di raccolta preposto al ritiro delle apparecchiature elettriche ed elettroniche.

CONSIGLI PER IL RISPARMIO ENERGETICO

Utilizzare pentole e tegami con diametro del fondo corrispondente al diametro della zona di cottura.

Utilizzare solo pentole e padelle con fondo piatto.

Se possibile, tenere il coperchio sulle pentole durante la cottura.

Utilizzare la pentola a pressione per ridurre il consumo di energia e il tempo di cottura.

DICHIARAZIONE DI CONFORMITÀ

Questo apparecchio soddisfa i requisiti di Ecodesign del regolamento europeo 66/2014 e l'Ecodesign per i prodotti connessi all'energia e le informazioni sull'energia (emendamento) (Uscita UE) Regolamenti 2019 in conformità con la norma europea EN 30-2-1.

Le informazioni relative alla modalità a basso consumo dell'apparecchio in conformità con il Regolamento (UE) 2023/826 sono disponibili al seguente link: <https://docs.emeaappliance-docs.eu>.

Tipo di gas utilizzato	Tipo di bruciatore	Iniettore	Portata termica nominale kW	Consumo nominale	Potenza termica ridotta kW	Pressione del gas mbar		
						min.	nom.	max.
GAS NATURALE (Metano) G20	Semirapido (SR)	95 Z	1,65	157 l/h	0,40	17	20	25
	Ausiliario (AUX)	72 X	1,00	95 l/h	0,40			
	2 Corone (DC)	138 A	3,50	333 l/h	1,65			
GAS PETROLIO LIQUIDO (Butano) G30	Semirapido (SR)	63	1,65	120 g/h	0,40	20	28-30	35
	Ausiliario (AUX)	50	1,00	73 g/h	0,40			
	2 Corone (DC)	91	3,50	254 g/h	1,65			
GAS PETROLIO LIQUIDO (Propano) G31	Semirapido (SR)	63	1,65	118 g/h	0,40	25	37	45
	Ausiliario (AUX)	50	1,00	71 g/h	0,40			
	2 Corone (DC)	91	3,50	250 g/h	1,65			

Tipo di gas utilizzato	Configurazione modello 4 BRUCIATORI	Potenza termica nominale (kW)	Consumo totale nominale	Aria necessaria (m ³) per la combustione di 1 m ³ di gas
G20 20 mbar	2SR - 1AUX - 1DC	7,80	743 l/h	9,52
G30 28-30 mbar	2SR - 1AUX - 1DC	7,80	567 g/h	30,94
G31 37 mbar	2SR - 1AUX - 1DC	7,80	557 g/h	23,80

ALIMENTAZIONE ELETTRICA: 220-240 V ~ 50-60 Hz - 0,6W

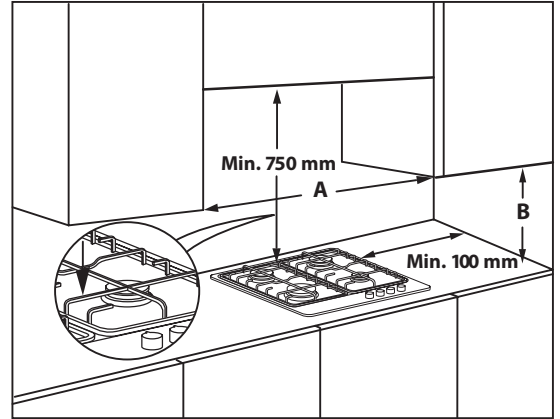
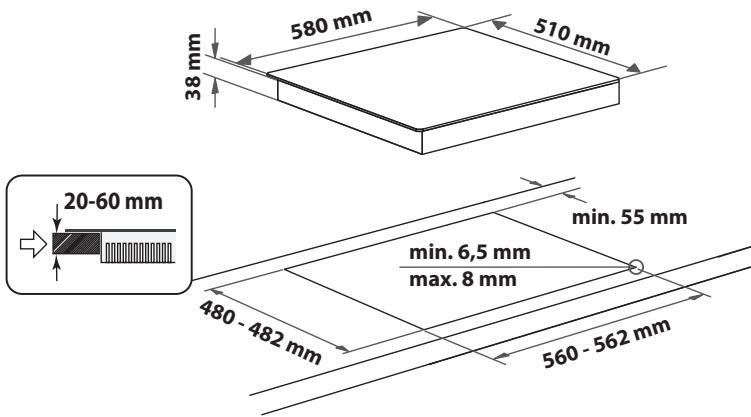


INSTALLAZIONE (CLASSE 3)

INFORMAZIONI TECNICHE PER L'INSTALLATORE

- Utilizzare guanti protettivi per maneggiare, preparare e installare il prodotto.
- Questo prodotto può essere incassato in un top (piano di lavoro) dello spessore di 20 ÷ 60 mm.
- Se sotto il piano di cottura non è previsto un forno, inserire un pannello separatore che abbia una superficie pari almeno all'apertura nel piano di lavoro. Tale pannello deve essere posizionato a una distanza massima di 150 mm dalla superficie superiore del piano di lavoro e in nessun caso inferiore a 20 mm dal fondo del piano di cottura. In caso si intenda installare un forno sotto il piano di cottura, assicurarsi che il forno sia dotato di un sistema di raffreddamento.

DIMENSIONI E DISTANZE DA RISPETTARE



NOTA: se la distanza "A" tra i pensili è compresa tra 600 mm e 730 mm, l'altezza "B" deve essere minimo 530 mm.
 Se la distanza "A" tra i pensili è maggiore della larghezza del piano di cottura, l'altezza "B" deve essere minimo 400 mm.
 Qualora venga installata una cappa sopra il piano di cottura, fare riferimento alle istruzioni di montaggio della cappa per la distanza da rispettare.

MONTAGGIO

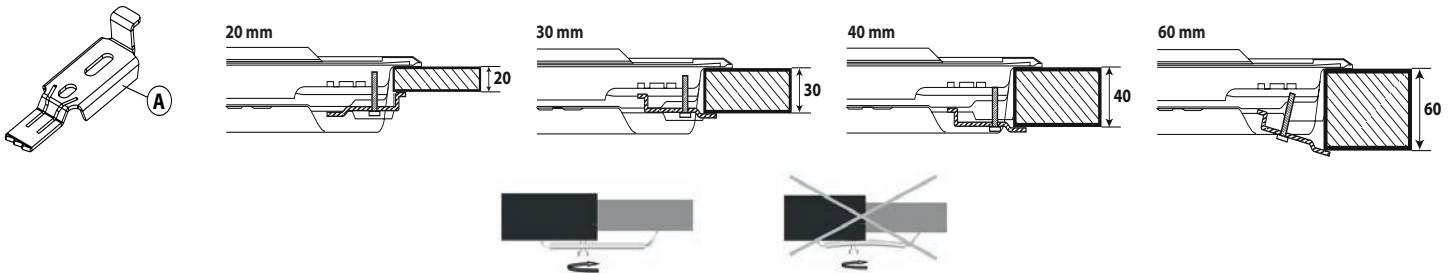
Dopo aver pulito la superficie perimetrale, applicare al piano di cottura la guarnizione in dotazione come mostrato in figura.

Posizionare il piano all'interno dell'apertura praticata secondo le dimensioni indicate nelle istruzioni.



NOTA: il cavo di alimentazione deve essere sufficientemente lungo da permetterne l'estrazione dall'alto.

Per bloccare il piano di cottura, utilizzare le staffe (A) in dotazione. Posizionare le staffe in corrispondenza dei fori evidenziati dalla freccia e fissarle con le apposite viti in modo da adattare allo spessore del top (vedere le figure seguenti).

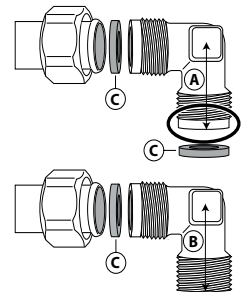


COLLEGAMENTO GAS

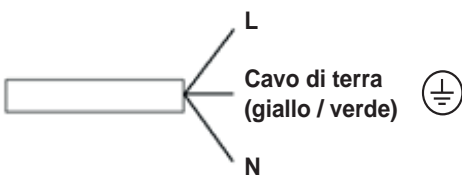
- Collegare il raccordo a gomito (A)* o (B)* fornito insieme al tubo di alimentazione principale del piano di cottura e interporre la guarnizione (C) in dotazione, a norma EN 549.

* Utilizzare il raccordo a gomito (A) per la Francia e il raccordo a gomito (B) per tutti gli altri paesi.

- Dopo il collegamento all'alimentazione del gas, verificare con una soluzione di acqua saponata che non vi siano perdite. Con i bruciatori accesi, ruotare le manopole dalla posizione massima alla posizione minima per verificare la stabilità della fiamma.



CONNESSIONE ELETTRICA





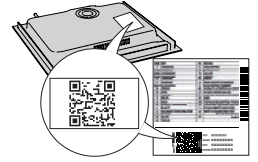
GRAZIE PER AVERE ACQUISTATO UN PRODOTTO HOTPOINT/ARISTON

Per ricevere un'assistenza più completa, registrare il prodotto su www.register10.eu.

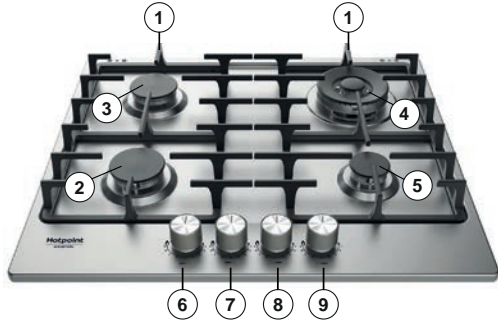


Prima di utilizzare l'apparecchio leggere attentamente le istruzioni di sicurezza.

SI PREGA DI SCANSIONARE IL CODICE QR SUL PROPRIO APPARECCHIO PER OTTENERE MAGGIORI INFORMAZIONI



DESCRIZIONE DEL PRODOTTO



1. Griglie amovibili
2. Bruciatore Semirapido
3. Bruciatore Semirapido
4. Bruciatore 2 Corone
5. Bruciatore Ausiliario
6. Manopola comando bruciatore Semirapido
7. Manopola comando bruciatore Semirapido
8. Manopola comando bruciatore 2 Corone
9. Manopola comando bruciatore Ausiliario

Simboli

- | | | |
|----------------|---|----------------------------------------------------|
| Pallino pieno | ● | Rubinetto chiuso |
| Fiamma grande | 🔥 | Massima apertura/erogazione e accensione elettrica |
| Fiamma piccola | 🔥 | Minima apertura o erogazione ridotta |

USO QUOTIDIANO

UTILIZZO DEL PIANO DI COTTURA

⚠️ Non lasciare che la fiamma del bruciatore si estenda oltre il bordo della pentola.

IMPORTANTE: quando è in funzione, tutta la superficie del piano di cottura potrebbe riscaldarsi.

- Per accendere uno dei bruciatori, ruotare la manopola corrispondente in senso antiorario fino a far coincidere l'indice con il simbolo di fiamma massima.
- Premere la manopola contro la mascherina dei comandi per accendere il bruciatore.
- Una volta acceso il bruciatore, è necessario continuare a tenere premuta la manopola per circa 5-10 secondi per consentire il corretto funzionamento del dispositivo.
- Si tratta di un dispositivo di sicurezza che interrompe la fuoriuscita di gas in caso di spegnimento accidentale della fiamma (dovuto a correnti d'aria, interruzione momentanea dell'alimentazione del gas, traboccamenti di liquidi, ecc.).
- **La manopola non deve essere tenuta premuta per più di 15 secondi. Se, trascorso tale tempo, il bruciatore non rimane acceso, attendere almeno un minuto prima di tentare un'ulteriore accensione.**

NOTA: qualora particolari condizioni del gas erogato localmente rendessero difficoltosa l'accensione del bruciatore, si consiglia di ripetere l'operazione con la manopola ruotata sulla posizione della fiamma piccola.

Può accadere che il bruciatore si spenga al momento del rilascio della manopola. Ciò indica che il dispositivo di sicurezza non si è scaldato a sufficienza. In questo caso, ripetere le operazioni sopra descritte.

Nel caso di una estinzione accidentale delle fiamme del bruciatore, chiudere la manopola di comando e non tentare di accenderlo per almeno 1 minuto.

CONSIGLI PRATICI PER L'USO DEI BRUCIATORI

Questo piano di cottura è dotato di bruciatori con diametri diversi. Al fine di ottenere il massimo rendimento, è utile attenersi alle seguenti regole:

- utilizzare pentole e tegami di diametro pari o leggermente superiore al diametro dei bruciatori (vedere la tabella a destra);
- utilizzare soltanto pentole e tegami con fondi piatti;
- utilizzare la giusta quantità d'acqua per la cottura dei cibi e usare il coperchio;
- evitare che le pentole, posizionate sulle griglie, fuoriescano dal perimetro del piano di cottura;
- nel caso di recipienti con fondo convesso (WOK), utilizzare la griglia di supporto che deve essere posizionata solo sul bruciatore multicolora;
- evitare urti accidentali con pentole, griglie o altri utensili da cucina;
- non lasciare bisteccchiere vuote sul fornello acceso per più di 5 minuti.

IMPORTANTE: l'uso improprio delle griglie potrebbe danneggiare il piano; evitare di appoggiare le griglie capovolte o di trascinarle sul piano.

BRUCIATORE	Ø RECIPIENTI
2 Corone	da 24 a 26 cm
Semirapido	da 16 a 22 cm
Ausiliario	da 8 a 14 cm

Non utilizzare:

- bisteccchiere in ghisa, supporti in pietra naturale, tegami o pentole in terracotta;
- dissipatori di rete metallica o di altro tipo;
- due bruciatori simultaneamente per la cottura con un solo recipiente (ad esempio una pesciera).

ADATTAMENTO AI DIVERSI TIPI DI GAS

⚠️ Questa operazione deve essere eseguita da un tecnico qualificato.

In caso di utilizzo con un gas diverso da quello indicato sulla targhetta matricola e sull'etichetta informativa posta sulla parte superiore del piano di cottura, è necessario sostituire gli iniettori.

L'etichetta informativa va rimossa e conservata insieme al libretto istruzioni.

Utilizzare regolatori di pressione idonei alla pressione del gas indicata nelle istruzioni:

- per la sostituzione degli iniettori del gas, rivolgersi al servizio assistenza o a un tecnico qualificato;
- gli iniettori non forniti in dotazione devono essere richiesti al servizio assistenza;
- regolare il minimo dei rubinetti.

NOTA: se si utilizza gas di petrolio liquefatto (G30/G31), la vite di regolazione del minimo deve essere avvvitata a fondo.

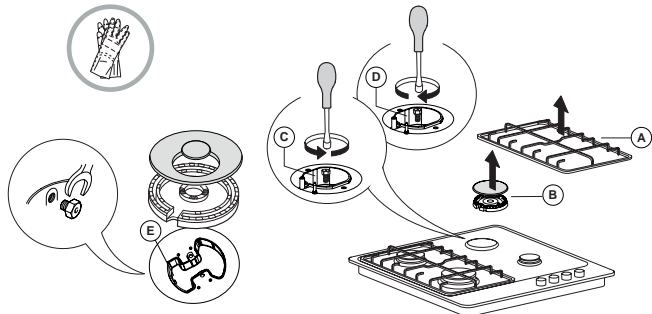
IMPORTANTE: se la rotazione delle manopole dei bruciatori dovesse risultare difficoltosa, contattare il Servizio di assistenza tecnica autorizzato che provvederà alla sostituzione del rubinetto, se difettoso.

IMPORTANTE: se si utilizza la bombola del gas, questa deve essere posizionata correttamente (orientamento verticale).

SOSTITUZIONE DEGLI INIETTORI (per il tipo vedere tabella ugelli nelle Norme di Sicurezza)

⚠ Questa operazione deve essere eseguita da un tecnico qualificato.

- Rimuovere le griglie (A).
- Estrarre i bruciatori (B).
- Con una chiave a tubo della dimensione appropriata, svitare l'iniettore da sostituire (C).
- Sostituirlo con l'iniettore previsto per il nuovo tipo di gas.
- Rimontare l'iniettore in (D).
- Se si dispone di un bruciatore a corona multipla, utilizzare una chiave laterale per sostituire l'iniettore (E).



Prima di installare il piano di cottura, ricordarsi di applicare la targhetta di taratura gas fornita con gli iniettori di ricambio, in modo che copra le informazioni già presenti.

TABELLA DI COTTURA

LIVELLO	METODO/TIPO DI COTTURA (CONSIGLIATO PER)	COOKING TIPS
1-2	MANTENERE CALDO	Ideale per ammorbidire il burro, fondere delicatamente il cioccolato a bagnomaria, scongelare piccole porzioni, mantecare risotti.
	COTTURA DELICATA	
3-4	COTTURA IN UMIDO	Ideale per cuocere a fuoco lento (riso, sughi, arrostiti, pesce) con l'uso di liquidi (acqua, vino, brodo) e mantecare la pasta mantenendo un leggero bollore.
	STUFATI	
5-6	ARROSTI	Ideale per rosolare e stufare le verdure, effettuare cotture prolungate, preriscaldare gli accessori, addensare.
	FRITTURA	
7-8	FRITTURA AL SALTO	Ideale per rosolare, iniziare la cottura, portare a ebollizione rapidamente, friggere prodotti surgelati, grigliare carne e pesce, mantenere un bollore vivace.
	GRIGLIARE	
9	RISCALDAMENTO RAPIDO	Ideale per innalzare in breve tempo la temperatura degli alimenti o riscaldare liquidi (acqua).

PULIZIA E CURA

⚠ Scollegare l'alimentazione prima di eseguire la manutenzione.

PULIZIA DEL PIANO COTTURA


- Le parti smaltate e in vetro vanno lavate con acqua calda e detergente neutro.
- L'acqua calcarea o detersivi aggressivi potrebbero lasciare macchie sulle superfici in acciaio inox, se rimangono a contatto troppo a lungo. Eliminare prontamente eventuali residui di cibo (acqua, sugo, caffè, ecc.) prima che si seccino.
- Pulire con acqua calda e detergente neutro, quindi asciugare con un panno morbido o una pelle di daino. In caso di sporco difficile, usare esclusivamente detersivi indicati per le superfici in acciaio inox.

NOTA: pulire le superfici in acciaio inox solo con un panno morbido o una spugna.

- Non utilizzare prodotti abrasivi o corrosivi, prodotti a base di cloro o pagliette.
- Non utilizzare pulitrici a getto di vapore.
- Non utilizzare prodotti infiammabili.
- Evitare di lasciare sul piano sostanze acide o alcaline come aceto, mostarda, sale, zucchero o succo di limone.

REGOLAZIONE DEL MINIMO DEI BRUCIATORI



⚠ Questa operazione deve essere eseguita da un tecnico qualificato.

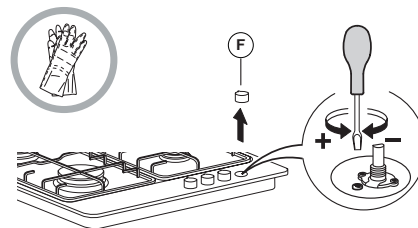
La regolazione deve essere eseguita con il rubinetto nella posizione di minimo (fiamma piccola) .

Non occorre regolare l'aria primaria dei bruciatori.

Per garantire una corretta regolazione del minimo, rimuovere la manopola (F) e procedere nel modo seguente:

- avvitare la vite per ridurre l'altezza della fiamma (-);
- allentare la vite per aumentare l'altezza della fiamma (+);

Con i bruciatori accesi, ruotare le manopole dalla posizione massima  alla posizione minima  per verificare la stabilità della fiamma.



Terminata la regolazione, ripristinare i sigilli con ceralacca o materiale equivalente.

PULIZIA DEI COMPONENTI DEL PIANO

- Le griglie, i cappellotti e i bruciatori sono rimovibili per facilitarne la pulizia.
- Lavarli a mano con acqua calda e detersivo non aggressivo avendo cura di eliminare eventuali incrostazioni e controllando che nessuna delle aperture del bruciatore sia otturata.
- Sciacquare e asciugare.
- **Le griglie in ghisa possono essere pulite in lavastoviglie. Rimuovere eventuali residui di cibo bruciato prima di riporre le griglie nel cestello più basso della lavastoviglie.**
- Rimontare correttamente bruciatori e cappellotti nelle rispettive sedi.
- Nel riposizionare le griglie, assicurarsi che la zona di appoggio delle pentole sia allineata con il bruciatore.
- Nei modelli dotati di candeline di accensione elettrica e di termocoppie di sicurezza, occorre procedere a un'accurata pulizia della parte terminale della candelina per assicurarne il buon funzionamento. Controllare questi componenti frequentemente e, se necessario, pulirli con un panno umido. Eventuali residui di cibo secchi vanno rimossi con uno stuzzicadenti o un ago.

NOTA: per evitare danni all'accensione elettrica, non utilizzarla quando i bruciatori non sono nella loro sede.

Hotpoint

ARISTON

RISOLUZIONE DEI PROBLEMI

Se il piano cottura non funziona correttamente, prima di chiamare l'assistenza esaminare questa guida rapida per individuare il problema.

1. Il bruciatore non si accende o la fiamma non è uniforme

Controllare che:

- non ci siano interruzioni nella rete di alimentazione del gas ed elettrica e, in particolare, che il rubinetto del gas sia aperto;
- la bombola del gas liquido non si sia esaurita;
- le aperture del bruciatore non siano ostruite;
- la parte terminale della candelina non sia sporca;
- tutte le parti che compongono il bruciatore siano posizionate correttamente;
- non ci siano correnti d'aria in prossimità del piano.

2. La fiamma non rimane accesa

Controllare che:

- la manopola sia stata premuta a fondo durante l'accensione del bruciatore per il tempo sufficiente ad attivare il dispositivo di sicurezza;
- le aperture del bruciatore non siano ostruite in corrispondenza della termocoppia;
- la parte terminale del dispositivo di sicurezza non sia sporca;
- la regolazione del minimo sia corretta (vedere il paragrafo corrispondente).

3. I recipienti sono instabili

Controllare che:

- il fondo del recipiente sia perfettamente piano;
- il recipiente sia centrato sul bruciatore;
- le griglie non siano state invertite o posizionate in modo errato.

Se dopo le suddette verifiche il problema persiste, contattare il Servizio Assistenza più vicino.

SERVIZIO ASSISTENZA

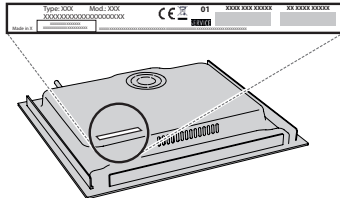
PRIMA DI CHIAMARE IL SERVIZIO ASSISTENZA:

1. Verificare se non sia possibile eliminare da soli i guasti. Vedere "RISOLUZIONE DEI PROBLEMI".
2. Spegner e riaccendere l'apparecchio per assicurarsi che l'inconveniente sia stato eliminato.

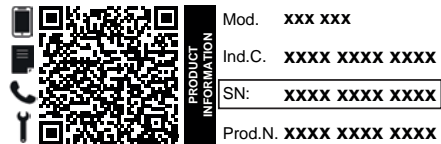
SE DOPO I SUDDETTI CONTROLLI IL PROBLEMA PERSISTE, CONTATTARE IL SERVIZIO ASSISTENZA PIÙ VICINO.

Quando si contatta il nostro servizio assistenza, indicare sempre:

- una breve descrizione del guasto;
- il tipo e il modello esatti del prodotto;



- il numero di serie (è il numero che si trova dopo la parola SN sulla targhetta matricola posta sotto l'apparecchio). Il numero di serie è indicato anche nella documentazione;

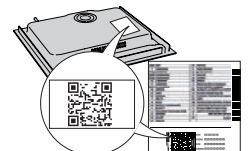


- il proprio indirizzo completo;
- il proprio numero di telefono.

Qualora si renda necessaria una riparazione, rivolgersi ad un centro del Servizio Assistenza (a garanzia dell'utilizzo di pezzi di ricambio originali e di una corretta riparazione).

Per le linee guida, la documentazione standard e altre informazioni sui prodotti:

- Utilizzando il codice QR nel proprio apparecchio;
- Visitando il nostro sito web docs.hotpoint.eu;
- Oppure, **contattare il Servizio Assistenza Tecnica** (al numero di telefono riportato sul libretto di garanzia). Prima di contattare il Servizio Assistenza Clienti, prepararsi a fornire i codici riportati sulla targhetta matricola del prodotto.



INSTRUCCIONES DE SEGURIDAD

ES IMPORTANTE QUE LEA Y SIGA LAS SIGUIENTES RECOMENDACIONES

⚠ Estas instrucciones son válidas si el símbolo del país aparece en el aparato. Si el símbolo no aparece en el aparato, deberá consultar las instrucciones técnicas que le proporcionarán la información necesaria para modificar el aparato y adaptarlo a las condiciones de uso del país.

⚠ **PRECAUCIÓN:** El uso de los aparatos de gas para cocinar produce calor, humedad y productos de la combustión en la habitación en la que está instalado. Asegúrese de que la cocina está bien ventilada, sobre todo cuando se está utilizando el aparato: mantenga los orificios de ventilación natural o instale un dispositivo de ventilación mecánica (campana extractora). El uso intensivo prolongado del aparato puede requerir ventilación adicional, como la apertura de una ventana, o una ventilación más eficaz, aumentando, por ejemplo, el nivel de la ventilación mecánica (si es posible).

⚠ Si no sigue la información de este manual con exactitud, podría provocarse un incendio o una explosión que podría causar daños o lesiones personales.

Antes de usar el aparato, lea atentamente estas instrucciones de seguridad. Téngalas a mano para consultarlas más adelante. Tanto estas instrucciones como el aparato contienen importantes advertencias de seguridad, que deben respetarse en todo momento. El fabricante declina cualquier responsabilidad derivada del incumplimiento de estas instrucciones de seguridad, del uso indebido del aparato o del ajuste incorrecto de los mandos.

⚠ **ADVERTENCIA:** Si la superficie de la placa está agrietada, no utilice el aparato, hay riesgo de descarga eléctrica.

⚠ **ADVERTENCIA:** Peligro de incendio: No deje ningún objeto sobre las superficies de cocción.

⚠ **PRECAUCIÓN:** El proceso de cocción tiene que ser supervisado. Un proceso de cocción corto tiene que ser supervisado continuamente.

⚠ **ADVERTENCIA:** Cocinar con grasa o aceite en una placa sin vigilancia puede resultar peligroso, hay riesgo de incendio. No intente NUNCA apagar un incendio con agua. Apague el aparato y cubra la llama con, por ejemplo, una tapa o una manta ignífuga.

⚠ No utilice la placa como superficie de trabajo o apoyo. Mantenga los paños y otros materiales inflamables alejados del aparato hasta que todos los componentes se hayan enfriado por completo; hay riesgo de incendio.

⚠ Mantenga a los niños menores de 3 años alejados del aparato. Los niños pequeños (3-8 años) deben mantenerse alejados del aparato, a menos que estén bajo vigilancia constante. Tanto los niños a partir de 8 años como las personas cuyas capacidades físicas, sensoriales o mentales estén disminuidas o que carezcan de la experiencia y conocimientos necesarios pueden utilizar este aparato si reciben la supervisión o las instrucciones necesarias para utilizarlo de forma segura y comprenden los riesgos a los que se exponen. Los niños no deberán jugar con el aparato. Los niños no deben encargarse de la limpieza y el mantenimiento, a menos que estén supervisados.

⚠ **PRECAUCIÓN:** Si se rompe el cristal de la placa: apague inmediatamente todos los quemadores y resistencias eléctricas y desconecte el suministro eléctrico del aparato; no toque la superficie del aparato; no utilice el aparato.

La tapa de vidrio puede romperse si se calienta. Apague todos los quemadores y las placas eléctricas antes de cerrar la tapa. No cierre la tapa con el quemador encendido.

⚠ **ADVERTENCIA:** El aparato y las partes accesibles se calientan durante el uso. Es necesario prestar atención para no tocar los elementos calefactores. Mantenga alejados a los niños menores 8 años salvo que sean supervisados continuamente.

⚠ Los alimentos no deben permanecer dentro o sobre el producto más de una hora, ya sea antes o después de la cocción.

USO PERMITIDO

⚠ **PRECAUCIÓN:** el aparato no está destinado a ponerse en funcionamiento por medio de un dispositivo de encendido externo, como un temporizador, o de un sistema de control remoto independiente.

⚠ Este aparato está destinado a un uso en ambientes domésticos o en ambientes similares como: áreas de cocina en oficinas, tiendas y otros; granjas; por los clientes de hoteles, moteles, hostales y otros entornos residenciales.

⚠ No se admite ningún otro uso (p. ej., calentar habitaciones).

⚠ Este aparato no es para uso profesional. No utilice el aparato al aire libre.

⚠ Utilice recipientes cuya base tenga un diámetro igual o ligeramente superior al de los quemadores (consulte la tabla específica). No utilice ollas que sobresalgan por el borde de la placa.

⚠ El uso inadecuado de las parrillas puede dañar la placa: no coloque las parrillas boca abajo ni las arrastre sobre la placa.

No deje que la llama del quemador supere el borde de la sartén.

Si la superficie de la placa es de vidrio, no utilice planchas de hierro colado ni cacerolas u ollas de piedra o barro.

No utilice: Difusores de calor como rejillas metálicas o de otro tipo. Dos quemadores simultáneamente para un recipiente (por ejemplo, un recipiente para pescado).

Si, debido a las condiciones del gas suministrado localmente, es difícil encender el quemador, se aconseja repetir la operación con el mando en la posición del símbolo de la llama pequeña.

Si va a instalar un extractor sobre la superficie de cocción, consulte las instrucciones del extractor para saber cuál es la distancia correcta.

Los asientos protectores de goma situados debajo de las rejillas representan un riesgo y los niños pueden atragantarse en caso de que los traguen. Una vez retiradas las parrillas, asegúrese de que todos los pies estén correctamente montados.

INSTALACIÓN

⚠ La manipulación e instalación del aparato la deben realizar dos o más personas, ya que hay riesgo de lesiones. Utilice guantes de protección para el desembalaje y la instalación, ya que hay riesgo de cortes.

⚠ Las conexiones eléctricas y de gas deben cumplir la normativa local.

⚠ La instalación, incluido el suministro de agua (si lo hay) y las conexiones eléctricas y las reparaciones, deben ser realizadas por un técnico cualificado. No realice reparaciones ni sustituya piezas del aparato a menos que así se indique específicamente en el manual del usuario. Mantenga a los niños alejados del lugar de instalación. Tras desembalar el aparato, compruebe

que no ha sufrido daños durante el transporte. Si observa algún problema, póngase en contacto con el distribuidor o el Servicio Postventa más cercano. Una vez instalado el aparato, mantenga los restos de embalaje (plásticos, piezas de poliestireno extruido, etc.) fuera del alcance de los niños, ya que existe riesgo de asfixia. El aparato debe estar desenchufado de la corriente antes de empezar la instalación, ya que existe riesgo de descarga eléctrica. Cuando realice la instalación, asegúrese de que el aparato no dañe el cable de alimentación, ya que existe riesgo de incendio o de descarga eléctrica. No active el aparato hasta haberlo instalado por completo.

⚠ **ADVERTENCIA:** La modificación del aparato y su método de instalación son esenciales para poder utilizarlo de forma segura y correcta en otros países.

⚠ Utilice reguladores de presión adecuados para las presiones de gas que se indican en las instrucciones de instalación.

⚠ La habitación debe estar equipada con un sistema de extracción de aire que expulse los humos de combustión.

⚠ La habitación también debe permitir una adecuada circulación del aire, ya que para la combustión normal se necesita aire. El caudal de aire no debe ser inferior a 2 m³/h por kW de potencia instalada.

⚠ El sistema de circulación de aire puede tomar el aire directamente del exterior mediante un tubo que tenga una sección transversal interior de al menos 100 cm²; la abertura no debe ser vulnerable a ningún tipo de obstrucción.

⚠ El sistema también puede proporcionar el aire necesario para la combustión indirectamente, por ejemplo, de las habitaciones contiguas equipadas con los tubos de circulación de aire anteriormente descritos. Sin embargo, estas habitaciones no podrán ser salas comunales, dormitorios ni habitaciones ya que pueden presentar un peligro de incendio.

⚠ El gas licuado va hacia el suelo porque es más pesado que el aire. Por lo tanto, las habitaciones donde se encuentren las bombonas de GLP también deberán estar equipadas con rejillas de ventilación para permitir que el gas se escape en caso de fuga. Como resultado, las bombonas de GLP, ya estén parcial o completamente llenas, no deberán instalarse ni almacenarse en lugares que estén por debajo del nivel del suelo (sótanos, etc.). Es aconsejable mantener en la habitación solamente la bombona que se está utilizando, colocada de modo que no esté sometida al calor producido por fuentes externas (hornos, chimeneas, estufas, etc.) que podrían elevar la temperatura de la bombona por encima de los 50°C.

Si tiene dificultades para girar los mandos de los quemadores, póngase en contacto con el Servicio de Asistencia Técnica para que sustituyan las tapas del quemador.

Las aberturas utilizadas para la ventilación y la dispersión del calor deben cubrirse.

⚠ Realice todas las tareas de corte del armario antes de instalar el aparato en el alojamiento y retire por completo todas las virutas de madera y el serrín.

⚠ Si el aparato no está instalado encima de un horno, debe instalarse un panel separador (no incluido) en el compartimento debajo del aparato.

CONEXIÓN DEL GAS

⚠ **ADVERTENCIA:** Antes de la instalación, asegúrese de que las condiciones locales de distribución (tipo y presión del gas) y la configuración del aparato sean compatibles.

⚠ Compruebe que la presión del suministro de gas sea conforme a los valores indicados en la Tabla "Especificaciones de los quemadores".

⚠ **ADVERTENCIA:** Las condiciones de configuración de este aparato se indican en la etiqueta (o placa de datos).

⚠ **ADVERTENCIA:** Este aparato no está conectado a un dispositivo de evacuación de humos. Debe estar instalado y conectado de acuerdo con la legislación vigente. Deben tenerse en cuenta los requisitos de ventilación.

⚠ Si los aparatos están conectados al gas licuado, el tornillo de regulación debe apretarse lo más fuerte posible.

⚠ **IMPORTANTE:** Si se instala una bombona de gas o un recipiente de gas, se deberá colocar correctamente (orientación vertical).

⚠ **ADVERTENCIA:** Esta operación debe realizarla un técnico cualificado.

⚠ Para las conexiones de gas, use solo tuberías flexibles o rígidas de metal.

⚠ **Conexión con un tubo rígido (cobre o acero)** La conexión a la instalación de gas debe realizarse de manera que no suponga ningún esfuerzo en el aparato. Hay un empalme en forma de L en la rampa de alimentación del aparato y está provisto de una junta estanca para evitar fugas. La junta estanca deberá sustituirse siempre después de girar el empalme del tubo (la junta se incluye con el aparato). El tubo de suministro de gas se conecta mediante un acoplamiento cilíndrico roscado de 1/2.

⚠ **Conexión de un tubo de acero inoxidable flexible sin junta a un acoplamiento roscado** El tubo de suministro de gas se conecta mediante un acoplamiento cilíndrico roscado de 1/2. Estos tubos deben instalarse de manera que nunca tengan más de 2000 mm cuando estén completamente extendidos. Cuando la conexión esté realizada, asegúrese de que el tubo metálico flexible no toque ninguna pieza móvil y no esté comprimido. Utilice únicamente tubos y sellos conformes con las normas nacionales en vigor.

⚠ **IMPORTANTE:** Si se utiliza un tubo flexible de acero inoxidable, debe instalarse de modo que no toque las partes móviles del mueble (p. ej. el cajón). Debe pasar por una zona sin obstrucciones y en la que sea posible inspeccionarlo en toda su longitud.

⚠ El aparato debe ser conectado al suministro principal de gas o a la bombona de gas de conformidad con las normativas nacionales vigentes. Antes de realizar la conexión, asegúrese de que el aparato sea compatible con el suministro de gas que desea utilizar. De lo contrario, siga las instrucciones indicadas en el apartado "Adaptación a los distintos tipos de gas".

⚠ Tras realizar la conexión con el suministro de gas, compruebe si hay fugas mediante la aplicación de agua jabonosa. Encienda los quemadores y gire los mandos desde la posición máxima 1* hasta la posición mínima 2* para comprobar la estabilidad de la llama.

ADAPTACIÓN A OTROS TIPOS DE GAS

(Esta operación debe llevarla a cabo un técnico cualificado).

⚠ Para adaptar el aparato a un tipo de gas distinto del tipo de gas para el que se ha fabricado (que se indica en la etiqueta

identificativa), siga los pasos específicos que se encuentran después de los dibujos de la instalación.

ADVERTENCIAS DE ELECTRICIDAD

⚠ IMPORTANTE: La información relativa a la tensión y la absorción de potencia se encuentra en la placa de características.

⚠ El cable de alimentación debe ser suficientemente largo para permitir la conexión del aparato, una vez empotrado en el mueble, a la red eléctrica. No tire del cable de alimentación.

⚠ Debe ser posible desconectar el aparato de la alimentación eléctrica desenchufándolo si el enchufe es accesible o mediante un interruptor omnipolar instalado antes del enchufe, de conformidad con las normativas de cableado y el aparato debe conectarse a una toma de tierra de acuerdo con las normativas de seguridad vigentes en materia de electricidad.

⚠ No utilice alargadores, regletas ni adaptadores. Una vez terminada la instalación, los componentes eléctricos no deberán quedar accesibles para el usuario. No utilice el aparato si está mojado o va descalzo. No use este aparato si tiene un cable o un enchufe de red dañado, si no funciona bien, o si se ha dañado o se ha caído.

⚠ Si el cable de alimentación está dañado, el fabricante, su agente de servicio técnico o una persona igualmente cualificada deberán sustituirlo para evitar peligros, ya que hay riesgo de descarga eléctrica.

LIMPIEZA Y MANTENIMIENTO

⚠ ADVERTENCIA: Asegúrese de que el aparato esté apagado y desconectado del suministro eléctrico antes de realizar cualquier operación de mantenimiento; no utilice aparatos de limpieza con vapor, hay riesgo de descarga eléctrica.

⚠ No utilice productos abrasivos o corrosivos, limpiadores con cloro ni estropajos metálicos.

⚠ Para evitar daños al dispositivo de encendido eléctrico, no lo utilice si los quemadores están fuera de su alojamiento.

ELIMINACIÓN DEL MATERIAL DE EMBALAJE

El material de embalaje es 100% reciclable y está marcado con el símbolo de reciclaje




Por lo tanto, deberá desechar las diferentes piezas del embalaje de forma responsable, respetando siempre las normas locales sobre eliminación de residuos.

ELIMINACIÓN DE LOS ELECTRODOMÉSTICOS

Este aparato ha sido fabricado con material reciclable o reutilizable. Debe desecharse de acuerdo con la normativa local al respecto. Para obtener información más detallada sobre el tratamiento, recuperación y reciclaje de electrodomésticos, póngase en contacto con las autoridades locales, con el servicio de recogida de residuos domésticos, o con la tienda en la que adquirió el aparato. Este electrodoméstico lleva el marcado CE de conformidad con la Directiva Europea 2012/19/UE sobre Residuos de Aparatos Eléctricos y Electrónicos (RAEE) y con la normativa de Residuos de Aparatos Eléctricos y Electrónicos de 2013 (modificada).

La correcta eliminación de este producto evita consecuencias negativas para el medio ambiente y la salud.

El símbolo  que se incluye en el aparato o en la documentación que lo acompaña indica que no puede tratarse como un residuo doméstico, sino que debe entregarse en un punto de recogida adecuado para el reciclado de aparatos eléctricos y electrónicos.

CONSEJOS PARA AHORRAR ENERGÍA

Utilice recipientes cuyo fondo tenga un diámetro igual al de la zona de cocción.

Utilice exclusivamente recipientes con fondo plano.

Cuando sea posible, tape los recipientes durante la cocción.

Utilice una olla de presión para ahorrar aún más energía y tiempo.

DECLARACIÓN DE CONFORMIDAD

Este aparato cumple con los requisitos de diseño ecológico del Reglamento europeo n.º 66/2014 y con el Reglamento de diseño ecológico aplicable a los productos relacionados con la energía y el Reglamento sobre la información energética (enmienda) (salida de la UE) de 2019, en cumplimiento con la norma europea EN 30-2-1.

La información relacionada con el modo de bajo consumo del aparato de acuerdo con el Reglamento (UE) 2023/826 se puede encontrar en el siguiente enlace: <https://docs.emeaappliance-docs.eu>.

Tipo de gas empleado	Tipo de quemador	Referencia del inyector	Caudal térmico nominal kW	Consumo nominal	Capacidad térmica reducida kW	Presión del gas mbar		
						min.	nom.	máx.
GAS NATURAL (Metano) G20	Semirrápido (SR)	95 Z	1,65	157 l/h	0,40	17	20	25
	Auxiliar (AUX)	72 X	1,00	95 l/h	0,40			
	2 Anillos (DC)	138 A	3,50	333 l/h	1,65			
GAS LICUADO DE PETRÓLEO (Butano) G30	Semirrápido (SR)	63	1,65	120 g/h	0,40	20	28-30	35
	Auxiliar (AUX)	50	1,00	73 g/h	0,40			
	2 Anillos (DC)	91	3,50	254 g/h	1,65			
GAS LICUADO DE PETRÓLEO (Propano) G31	Semirrápido (SR)	63	1,65	118 g/h	0,40	25	37	45
	Auxiliar (AUX)	50	1,00	71 g/h	0,40			
	2 Anillos (DC)	91	3,50	250 g/h	1,65			

Tipo de gas empleado	Configuración del modelo 4 QUEMADORES	Caudal térmico nominal (kW)	Consumo total nominal	Aire necesario (m ³) para la combustión de 1m ³ de gas
G20 20 mbar	2SR - 1AUX - 1DC	7,80	743 l/h	9,52
G30 28-30 mbar	2SR - 1AUX - 1DC	7,80	567 g/h	30,94
G31 37 mbar	2SR - 1AUX - 1DC	7,80	557 g/h	23,80

SUMINISTRO ELÉCTRICO: 220-240 V ~ 50-60 Hz - 0,6 W

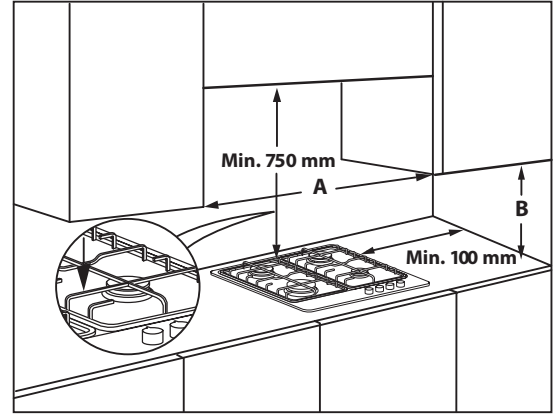
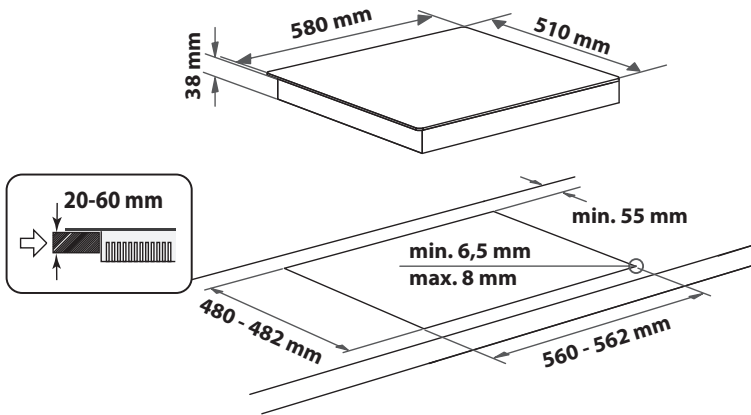


INSTALACIÓN (CLASE 3)

INFORMACIÓN TÉCNICA PARA EL INSTALADOR

- Utilice guantes de protección para manipular, preparar e instalar el electrodoméstico.
- Este producto se puede empotrar en una encimera de entre 20 y 60 mm de grosor.
- Si no hay horno instalado debajo de la placa, inserte un panel de separación con una superficie que, como mínimo, sea igual al tamaño de la abertura en la encimera. Este panel debe estar situado a una distancia máxima de 150 mm por debajo de la parte superior de la superficie de trabajo y en ningún caso, a menos de 20 mm de la parte inferior de la placa. Si desea instalar un horno debajo de la placa, asegúrese de que esté equipado con un sistema de refrigeración.

DIMENSIONES Y DISTANCIAS QUE DEBEN RESPETARSE



NOTA: si la distancia "A" entre los armarios de la pared es de 600 mm a 730 mm, la altura "B" debe ser de 530 mm como mínimo.
 Si la distancia "A" entre los armarios de la pared es mayor que la anchura de la zona de trabajo, la altura "B" debe ser de 400 mm como mínimo.
 Si se instala un extractor sobre la superficie de cocina, consulte las instrucciones del extractor para saber cuál es la distancia correcta.

MONTAJE

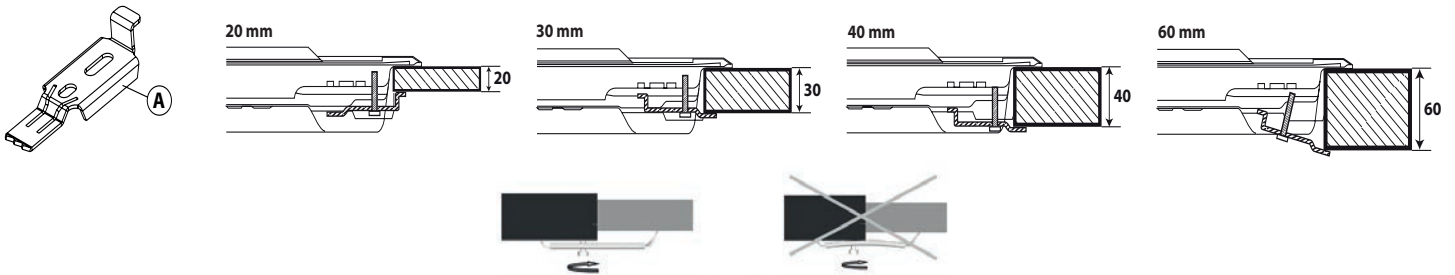
Una vez se haya limpiado el perímetro, coloque la junta en la placa como se muestra en la figura.

Coloque la placa en la abertura realizada en la encimera respetando las dimensiones indicadas en las instrucciones.



NOTA: el cable de alimentación debe tener la longitud suficiente para que se pueda extraer hacia arriba.

Para fijar la placa, utilice las abrazaderas (A) suministradas. Coloque las abrazaderas en las ranuras correspondientes indicadas por las flechas y fíjelas mediante tornillos apropiados para el grosor de la encimera (consulte las siguientes figuras).

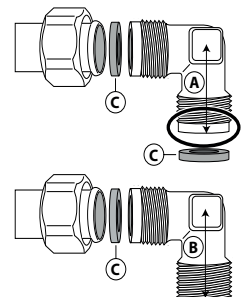


CONEXIÓN DEL GAS

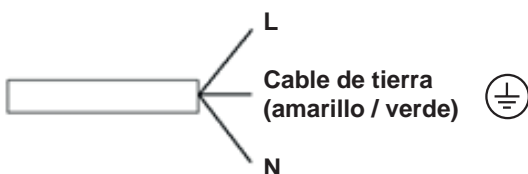
- Conecte el tubo acodado (A)* o (B)* a la tubería principal de entrada a la placa e interponga la arandela (C), de acuerdo con la norma EN 549.

* Use el tubo acodado (A) para Francia y el (B) para los demás países.

- Tras realizar la conexión con el suministro de gas, compruebe si hay fugas mediante la aplicación de agua jabonosa. Encienda los quemadores y gire los mandos desde la posición máxima hasta la posición mínima para comprobar la estabilidad de la llama.



CONEXIÓN ELÉCTRICA



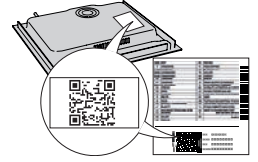

GRACIAS POR ADQUIRIR UN PRODUCTO HOTPOINT/ARISTON

Para recibir una asistencia más completa, registre su producto en www.register10.eu.

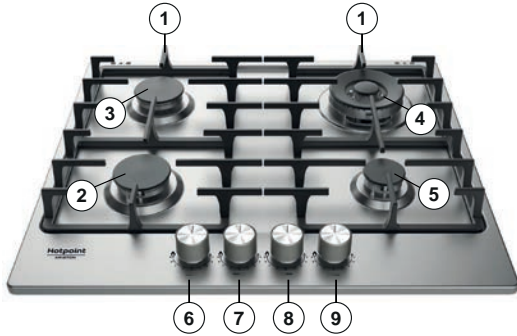


Antes de usar el aparato, lea atentamente las Instrucciones de seguridad.

ESCANEE EL CÓDIGO QR DE SU APARATO PARA OBTENER MÁS INFORMACIÓN



DESCRIPCIÓN DEL PRODUCTO



1. Rejillas amovibles
2. Quemador semirrápido
3. Quemador semirrápido
4. Quemador de 2 anillos
5. Quemador auxiliar
6. Mando del quemador semirrápido
7. Mando del quemador semirrápido
8. Mando del quemador de 2 anillos
9. Mando del quemador auxiliar

Símbolos

- | | | |
|-------------------|---|------------------------------------------------|
| Círculo sombreado | ● | Mando cerrado |
| Llama grande | 🔥 | Apertura/potencia máxima y encendido eléctrico |
| Llama pequeña | 🔥 | Apertura mínima o potencia reducida |

USO DIARIO

USO DE LA PLACA

⚠️ No deje que la llama del quemador supere el borde de la sartén.

IMPORTANTE: cuando esté usando la placa, toda el área de la placa se puede poner caliente.

- Para encender uno de los quemadores, gire el mando correspondiente en dirección contraria a la de las agujas del reloj hasta la posición de llama al máximo.
- Presione el mando contra el panel de control para encender el quemador.
- Una vez encendido el quemador, mantenga el mando presionado durante unos 5-10 segundos para activar el dispositivo de seguridad.
- La finalidad del dispositivo de seguridad es cortar el suministro de gas al quemador si la llama se apaga accidentalmente (debido a corrientes de aire, interrupciones del suministro de gas, rebosamiento de líquidos, etc.).
- El mando no debe presionarse durante más de 15 segundos. Si transcurrido este tiempo el quemador no permanece encendido, espere al menos un minuto antes de intentar encenderlo de nuevo.

NOTA: Si, debido a las condiciones del gas suministrado localmente, es difícil encender el quemador, se aconseja repetir la operación con el mando en la posición del símbolo de la llama pequeña.

El quemador puede apagarse al soltar el mando. Esto significa que el dispositivo de seguridad no se ha calentado lo suficiente. En tal caso, repita los pasos anteriores.

Si se apagara accidentalmente la llama del quemador, cierre el mando y vuelva a intentar encenderlo después de 1 minuto, como mínimo.

CONSEJOS PRÁCTICOS PARA UTILIZAR LOS QUEMADORES

La placa dispone de quemadores de distintos diámetros. Para conseguir un rendimiento óptimo de los quemadores se recomienda respetar las normas siguientes:

- utilice recipientes cuya base tenga un diámetro igual o ligeramente superior al de los quemadores (consulte la tabla de la derecha);
- utilice exclusivamente ollas y sartenes con fondo plano;
- utilice la cantidad de agua correcta para cocinar alimentos con el recipiente tapado;
- no utilice ollas que sobresalgan más allá del borde de la placa;
- En el caso de sartenes con la base convexa, tipo wok, utilice la rejilla de apoyo (no suministrada); colóquela únicamente en el quemador de anillos múltiples.
- Evitar golpes accidentales con ollas, rejillas u otros utensilios de cocina
- No dejar parrillas para bistecs vacías somber la hirviente encendida durante más de 5 minutos.

IMPORTANTE: El uso inadecuado de las parrillas puede dañar la placa: no coloque las parrillas boca abajo ni las arrastre sobre la placa.

QUEMADOR	Ø DE RECIPIENTE
2 Anillos	De 24 a 26 cm
Semirrápido	De 16 a 22 cm
Auxiliar	De 8 a 14 cm

No utilice:

- planchas de hierro colado ni cacerolas u ollas de piedra o barro;
- difusores de calor como rejillas metálicas o de otro tipo;
- dos quemadores simultáneamente para un recipiente (por ejemplo, un recipiente para pescado).

AJUSTES PARA OTROS TIPOS DE GAS

⚠️ Esta operación debe realizarla un técnico cualificado.

Si el aparato va a utilizarse con un tipo de gas distinto al especificado en la placa de datos y en el adhesivo informativo pegado sobre la placa, cambie los inyectores.

Quite el adhesivo informativo y guárdelo con el manual de instrucciones.

Utilice reguladores de presión adecuados para las presiones de gas que se indican en las instrucciones de instalación:

- el cambio del inyector de gas debe realizarlo el Servicio de Asistencia o un técnico cualificado y homologado;
- si no se incluye el inyector con el electrodoméstico, solicítelos al Servicio de Asistencia;
- ajuste el suministro al mínimo.

NOTA: Si se utiliza gas de petróleo líquido (G30/G31), el tornillo para ajustar el suministro al mínimo debe apretarse al máximo.

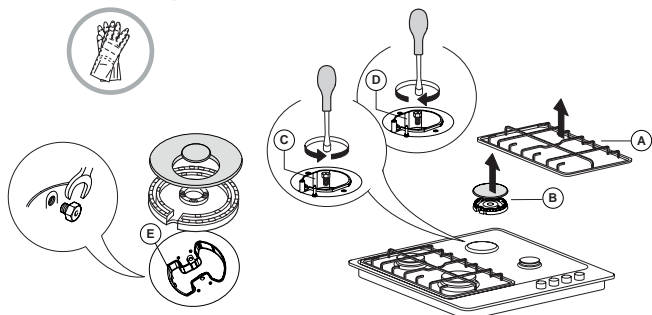
IMPORTANTE: Si tiene dificultades para girar los mandos de los quemadores, póngase en contacto con el Servicio de Asistencia Técnica para que sustituyan las tapas del quemador.

IMPORTANTE: cuando se utiliza una bombona de gas, la bombona o el recipiente de gas debe estar correctamente colocado (orientación vertical).

SUSTITUCIÓN DE LOS INYECTORES (consulte la tabla de inyectores en las Instrucciones de seguridad)

⚠ Esta operación debe realizarla un técnico cualificado.

- Retire las parrillas (A).
- Extraiga los quemadores (B).
- Con una llave de cubo del tamaño adecuado, desenrosque el inyector (C) que va a sustituir.
- Sustitúyalo por el inyector correspondiente al nuevo tipo de gas.
- Vuelva a montar el inyector en (D).
- Si la placa tiene un quemador de corona múltiple, utilice una llave lateral para cambiar el inyector (E).



Antes de instalar la placa, recuerde fijar la placa de calibración del gas suministrada con los inyectores, de modo que incluya la información existente relativa a la calibración del gas.

AJUSTE DEL SUMINISTRO DE GAS AL MÍNIMO

⚠ Esta operación debe realizarla un técnico cualificado.

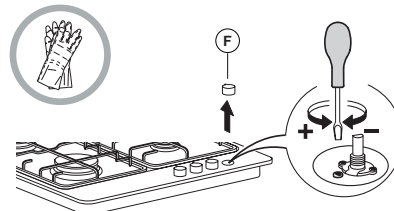
El ajuste debe realizarse con la posición de suministro de gas en el mínimo (llama pequeña).

No es necesario ajustar el aire principal de los quemadores.

Para asegurarse de que el suministro mínimo está ajustado correctamente, quite el mando (F) y realice lo siguiente:

- apriete el tornillo para reducir la altura de la llama (-);
- afloje el tornillo para aumentar la altura de la llama (+).

En este punto, encienda los quemadores y gire los mandos de la posición máxima \uparrow a la posición mínima \downarrow para comprobar la estabilidad de la llama.



Después de realizar el ajuste, vuelva a sellar la junta con cera o un material similar.

TABLA DE COCCIÓN

NIVEL	MÉTODO/TIPO DE COCCIÓN (RECOMENDADO PARA)	CONSEJOS DE COCINA
1-2	MANTENER CALIENTE	Ideal para ablandar manteca, derretir chocolate delicadamente al baño maría, descongelar porciones reducidas y mantecar risotto.
	COCCIÓN SUAVE	
3-4	COCCIÓN A FUEGO LENTO	Ideal para recetas de cocción lenta (arroz, salsas, asados, pescado) que usan líquidos (agua, vino, caldo) y para mantecar pasta, manteniéndola en ebullición suavemente.
	GUIJAR	
5-6	ASANDO	Ideal para saltear y estofar verduras, cocer durante periodos largos, precalentar accesorios y obtener una consistencia cremosa.
	FRÉIR	
7-8	SALTEADO AGITADO	Ideal para dorar, comenzar una cocción, llevar líquidos a ebullición con rapidez, freír productos congelados y asar carne y pescado a fuego vivo.
	ASADO AL GRIL	
9	CALENTAR RÁPIDO	Ideal para aumentar con rapidez la temperatura de los alimentos o para calentar líquidos (agua).

LIMPIEZA Y MANTENIMIENTO

⚠ Desconecte el aparato de la red eléctrica.

LIMPIEZA DE LA SUPERFICIE DE LA PLACA

- Todas las partes esmaltadas y vitrificadas deben limpiarse con agua tibia y una solución de jabón neutro.
- Las superficies de acero inoxidable pueden mancharse debido a la cal del agua o al uso de detergentes abrasivos que se dejan en contacto durante mucho tiempo. Limpie los restos de alimentos (agua, salsas, café, etc.) antes de que se sequen.
- Limpie la placa con agua tibia y detergente neutro y séquela a fondo con un paño suave o una gamuza. Limpie los restos de alimentos quemados con productos específicos para superficies de acero inoxidable.

NOTA: Para las superficies de acero inoxidable utilice solo un paño suave o una esponja.

- No utilice productos abrasivos o corrosivos, limpiadores con cloro ni estropajos metálicos.
- No utilice aparatos de limpieza con vapor.
- No emplee productos inflamables.
- No deje sustancias ácidas o alcalinas, como vinagre, mostaza, sal, azúcar o zumo de limón sobre la placa.

LIMPIEZA DE LAS PIEZAS DE LA PLACA

- Limpie las partes vitrificadas y esmaltadas con un paño suave o una esponja.
- Para limpiarlas, es necesario quitar las parrillas, las tapas y los quemadores.
- Limpie estos accesorios a mano con agua tibia y detergente no abrasivo, quite con cuidado los residuos de alimentos y compruebe que las aberturas de los quemadores no están obstruidas.
- Enjuague y seque con cuidado.
- **Las rejillas de hierro fundido pueden limpiarse en el lavavajillas. Retire los alimentos quemados antes de colocar las rejillas en la bandeja más baja del lavavajillas.**
- Vuelva a colocar los quemadores y las tapas en su sitio.
- Al colocar las parrillas, asegúrese de que el área de las parrillas donde se apoyan las ollas está alineada con el quemador.
- Los modelos equipados con dispositivo de encendido eléctrico y dispositivos de seguridad requieren una limpieza exhaustiva del extremo de la bujía para asegurarse un funcionamiento correcto. Compruebe estos elementos con frecuencia y si fuera necesario, límpielos con un paño húmedo. Los restos de alimentos quemados deben eliminarse con un palillo o una aguja.

NOTA: Para evitar daños al dispositivo de encendido eléctrico, no lo utilice si los quemadores están fuera de su alojamiento.

Hotpoint

ARISTON

RESOLUCIÓN DE PROBLEMAS

Si la placa no funciona bien, antes de llamar al Servicio de Asistencia Técnica, consulte la guía de solución de problemas para determinar el problema.

1. El quemador no se enciende o la llama no es uniforme

Compruebe que:

- se ha cortado el suministro de gas o eléctrico y en concreto, si el mando del gas está abierto;
- la bombona de gas está vacía;
- las aberturas de los quemadores están obstruidas;
- el extremo del dispositivo de encendido está sucio;
- las piezas de los quemadores están colocadas correctamente;
- hay corrientes de aire alrededor de la placa.

2. El quemador no permanece encendido

Compruebe que:

- al encender el quemador, el mando se ha mantenido presionado durante el tiempo suficiente para activar el sistema de protección;
- las aberturas del quemador no están obstruidas junto al termopar;
- el extremo del termopar no está sucio;
- si el ajuste de gas mínimo es correcto (consulte el apartado correspondiente).

3. Los recipientes no son estables

Compruebe que:

- la parte inferior del recipiente es completamente plana;
- el recipiente está centrado en el quemador;
- se han colocado de forma incorrecta las parrillas.

Si el fallo persiste después de estas comprobaciones, póngase en contacto con el Servicio de Asistencia más cercano.

SERVICIO POSTVENTA

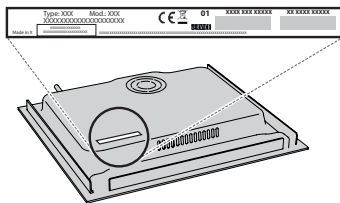
ANTES DE LLAMAR AL SERVICIO POSTVENTA:

1. Intente resolver el problema consultando las recomendaciones que se ofrecen en la **GUÍA PARA LA SOLUCIÓN DE PROBLEMAS**.
2. Apague el aparato y vuelva a encenderlo para comprobar si se ha solucionado el problema.

SI EL FALLO PERSISTE DESPUÉS DE ESTAS COMPROBACIONES, PÓNGASE EN CONTACTO CON EL SERVICIO POSTVENTA.

Cuando se ponga en contacto con nuestro Servicio Postventa, especifique siempre:

- una breve descripción del problema;
- el tipo y el modelo exacto del aparato;



- el número de serie (el número que se indica tras la palabra SN en la placa de características situada debajo del aparato). El número de serie también se indica en la documentación;



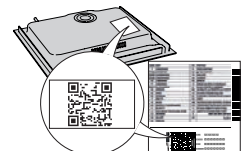
Mod. **xxx xxx**
Ind.C. **xxxx xxxx xxxx**
SN: **xxxx xxxx xxxx**
Prod.N. **xxxx xxxx xxxx**

- su dirección completa;
- su número de teléfono.

Si fuera necesaria alguna reparación, póngase en contacto con un Servicio Postventa autorizado (que garantiza el uso de piezas de recambio originales y una reparación correcta).

Puede consultar los reglamentos, la documentación estándar e información adicional sobre productos mediante alguna de las siguientes formas:

- Utilizando el código QR en tu aplicación;
- Visitando nuestro sitio web **docs.hotpoint.eu**;
- También puede **ponerse en contacto con nuestro Servicio postventa** (Consulte el número de teléfono en el folleto de la garantía). Cuando se ponga en contacto con nuestro Servicio Postventa, deberá indicar los códigos que figuran en la placa de características de su producto.



⚠ Estas instruções são válidas se o símbolo do país constar no aparelho. Caso o símbolo não conste no aparelho é necessário consultar as instruções técnicas que fornecem as instruções necessárias relativamente às condições de utilização específicas do país.

⚠ **ATENÇÃO:** A utilização do aparelho de cozedura a gás resulta numa produção de calor, humidade e produtos da combustão no espaço onde o aparelho está instalado. Certifique-se de que a cozinha dispõe de uma boa ventilação, especialmente durante a utilização do aparelho: mantenha os orifícios de ventilação natural abertos ou instale um dispositivo de ventilação mecânico (exaustor mecânico). A utilização intensiva prolongada do aparelho pode requerer uma ventilação adicional como, por exemplo, a abertura de janelas ou até de uma ventilação mais eficiente, aumentando o nível de ventilação mecânica (se possível).

⚠ A estrita inobservância das instruções contidas no presente manual pode levar a uma explosão, causando danos pessoais ou à propriedade.

Antes de utilizar o aparelho, leia estas instruções de segurança com atenção. Guarde-as por perto para consulta futura.

As presentes instruções e o próprio aparelho possuem informações importantes relativas à segurança, as quais deverá ler e respeitar sempre. O fabricante não se responsabiliza por quaisquer acontecimentos decorrentes do incumprimento das presentes instruções de segurança, da utilização inadequada do aparelho ou da configuração incorreta dos respectivos controlos.

⚠ **AVISO:** Se a superfície da placa estiver rachada, não utilize o aparelho - risco de choque elétrico.

⚠ **AVISO:** Perigo de incêndio: não guarde objetos nas superfícies de cozedura.

⚠ **ATENÇÃO:** O processo de cozedura tem de ser vigiado. Os processos de cozedura de curta duração devem ser continuamente vigiados.

⚠ **AVISO:** A cozedura de alimentos com gorduras ou óleos numa placa sem vigilância pode ser perigosa - risco de incêndio. NUNCA tente apagar um incêndio com água. Desligue o aparelho e depois cubra a chama, por exemplo com uma tampa ou manta antifogo.

⚠ Não utilize a placa como superfície ou suporte de trabalho. Mantenha quaisquer peças de vestuário ou outros materiais inflamáveis afastados do aparelho até que todos os componentes deste tenham arrefecido completamente, pois existe risco de incêndio.

⚠ As crianças até aos 3 anos deverão manter-se afastadas do aparelho. As crianças entre os 3 e os 8 anos devem ser mantidas afastadas do aparelho, exceto se estiverem sob supervisão permanente. Este aparelho pode ser utilizado por crianças a partir dos 8 anos e por pessoas com capacidades físicas, sensoriais ou mentais reduzidas ou com falta de experiência e conhecimento, desde que

estejam sob supervisão ou tenham recebido instruções quanto à utilização segura deste aparelho e se compreenderem os perigos envolvidos. As crianças não devem brincar com o aparelho. A limpeza e a manutenção a cargo do utilizador não devem ser realizadas por crianças sem supervisão.

⚠ **ATENÇÃO:** Caso o vidro da placa se parta: desligue de imediato todos os queimadores e qualquer elemento de aquecimento elétrico e isole o aparelho da alimentação de corrente; não toque na superfície do aparelho; não utilize o aparelho.

A tampa de vidro pode partir-se caso seja exposta ao calor. Desligue todos os queimadores e placas elétricas antes de fechar a tampa. Não feche a tampa caso algum queimador esteja ligado.

⚠ **AVISO:** O aparelho e os seus componentes acessíveis ficam quentes durante o funcionamento. Deve ter-se cuidado para evitar tocar nos elementos quentes. Mantenha as crianças com idade inferior a 8 anos afastadas do aparelho a menos que estejam vigiadas em permanência.

⚠ Os alimentos não devem ser deixados dentro ou sobre o produto durante mais de uma hora, antes ou depois da cozedura.

UTILIZAÇÃO PERMITIDA

⚠ **ATENÇÃO:** o aparelho não deve ser ligado a partir de um dispositivo de comutação externa, como, por exemplo, um temporizador, nem a partir de um sistema de controlo remoto em separado.

⚠ Este aparelho destina-se a ser utilizado em ambiente doméstico e em aplicações semelhantes, tais como: copas para utilização dos funcionários em lojas, escritórios e outros ambientes de trabalho; quintas de exploração agrícola; clientes em hotéis, motéis, *bed & breakfast* e outros tipos de ambientes residenciais.

⚠ Estão proibidos outros tipos de utilização (por exemplo, aquecimento de divisões da casa).

⚠ Este aparelho não está concebido para o uso profissional. Não utilize o aparelho no exterior.

⚠ Utilize panelas e frigideiras com um diâmetro de base igual ou ligeiramente superior ao dos queimadores (consulte a tabela específica). Certifique-se de que os tachos nas grelhas não vão para além do rebordo da placa.

⚠ A utilização incorreta das grelhas pode causar danos à placa: não coloque as grelhas de cima para baixo nem as arraste sobre a placa.

Não deixe que a chama do queimador vá para além do rebordo do fundo da panela.

Se a superfície da placa for em vidro, não utilize frigideiras em ferro fundido, pedras para grelhador, panelas de terracota ou caçarolas.

Não utilize: Difusores de calor tais como malhas de metal, ou de qualquer outro tipo. Dois queimadores em simultâneo para um utensílio (por exemplo panela para peixe).

caso condições particulares do abastecimento de gás tomem difícil acender o queimador, recomendamos que repita a operação com o botão na posição da chama mais pequena.

Caso instale um exaustor por cima da placa, consulte as instruções do mesmo quanto à distância correta a manter entre ambos os aparelhos.

As bases de borracha de protecção situadas sob as grelhas constituem um perigo de sufocação para as crianças se forem engolidas. Após remover as grelhas, certifique-se de que todos os pés estão instalados corretamente.

INSTALAÇÃO

⚠ O aparelho deve ser transportado e instalado por duas ou mais pessoas - risco de lesões. Use luvas de protecção para desembalar e instalar o aparelho - risco de cortes.

⚠ As ligações do gás e elétricas devem estar em conformidade com os regulamentos locais.

⚠ A instalação, incluindo a alimentação de água (caso seja necessário) e as ligações elétricas, bem como quaisquer reparações devem ser realizadas por um técnico devidamente qualificado. Não repare nem substitua nenhuma peça do aparelho a não ser que tal seja especificamente indicado no manual de utilização. Mantenha as crianças afastadas do local da instalação. Depois de desembalar o aparelho, certifique-se de que este não foi danificado durante o transporte. Em caso de problemas, contacte o revendedor ou o Serviço Pós-Venda mais próximo. Uma vez instalado o aparelho, os elementos da embalagem (plástico, peças de esferovite, etc.) devem ser armazenados longe do alcance das crianças - risco de asfixia. Deve desligar o aparelho da corrente elétrica antes de efetuar qualquer operação de instalação - risco de choques elétricos. Durante a instalação, certifique-se de que o aparelho não danifica o cabo de alimentação - risco de incêndio ou de choques elétricos. Ligue o aparelho apenas depois de concluída a instalação do mesmo.

⚠ AVISO: a alteração do aparelho e do seu método de instalação são essenciais para uma utilização segura e correta do mesmo em todos os países adicionais.

⚠ Utilize reguladores de pressão adequados à pressão do gás indicada nas Instruções.

⚠ O espaço deve dispor de um sistema de extração de ar que expulse os gases de combustão.

⚠ Além disso, o espaço deve dispor também de uma circulação de ar adequada, uma vez que é necessário existir ar para que a combustão ocorra normalmente. O fluxo de ar não deve ser inferior a 2 m³/h por kW de potência instalada.

⚠ O sistema de circulação de ar pode transportar o ar diretamente a partir do exterior através de um tubo com uma secção transversal interna com pelo menos, 100 cm²; esta abertura não deve estar vulnerável a quaisquer tipos de obstruções.

⚠ O sistema poderá fornecer o ar necessário à combustão de forma indireta, ou seja, a partir das divisões adjacentes que disponham de tubos de circulação de ar, como descrito acima. Contudo, estas divisões não deverão ser espaços comuns, quartos de dormir ou divisões que apresentem risco de incêndio.

⚠ O gás de petróleo liquefeito dissipa-se no chão, uma vez que é mais pesado do que o ar. Como tal, as divisões contendo botijas de GPL também devem dispor de ventilação para permitir a libertação do gás em caso de fuga. Deste modo, as botijas de GPL, quer estejam parcialmente ou totalmente cheias, não devem ser instaladas ou armazenadas em espaços ou áreas de

armazenamento que estejam abaixo do nível do solo (caves, etc.). É recomendável que mantenha na divisão apenas a botija em utilização, posicionado de forma a que não esteja sujeita ao calor produzido por fontes externas (fornos, lareiras, fogões, etc.), o que pode levar a um aumento da temperatura da botija para valores superiores a 50 °C.

Se tiver dificuldade ao rodar os botões dos queimadores, contacte o Serviço Pós-Venda a fim de proceder à substituição da tampa do queimador, caso verifique que está danificada.

As aberturas utilizadas para realizar a ventilação e dispersão do calor nunca devem ser cobertas.

⚠ Execute todos os trabalhos de corte no móvel antes de instalar o aparelho e remova todas as lascas de madeira e a serradura.

⚠ Caso o aparelho não seja instalado sobre um forno, deverá instalar um painel de separação (não incluído) no compartimento localizado sob o aparelho.

LIGAÇÃO DO GÁS

⚠ AVISO: Antes da instalação, certifique-se de que as condições de distribuição local (tipo de gás e pressão do gás) e a configuração do aparelho são compatíveis.

⚠ Assegure-se de que a pressão do fornecimento de gás é consistente com os valores indicados na Tabela "Especificações dos queimadores".

⚠ AVISO: As condições de configuração para este aparelho encontram-se indicadas na tabela (ou na placa de características).

⚠ AVISO: este aparelho não está ligado a um dispositivo de extração de produtos de combustão. Este deve ser instalado e ligado de acordo com os regulamentos de instalação em vigor. Deve ser tomada atenção especial aos requisitos relevantes relativos à ventilação.

⚠ Caso o aparelho esteja ligado a gás liquefeito, o parafuso de regulação deve ser apertado tanto quanto possível.

⚠ IMPORTANTE: Quando utiliza uma botija de gás, esta deve ser colocada adequadamente (na posição vertical).

⚠ AVISO: esta operação deve ser realizada por um técnico qualificado.

⚠ Para a ligação do gás, utilize apenas uma mangueira flexível ou rígida de metal.

⚠ Ligação a um tubo rígido (cobre ou aço) A ligação ao sistema de gás deve ser efetuada de forma a não sobrecarregar nenhum outro eletrodoméstico. Existe um encaixe ajustável ao tubo em forma de L na fonte de alimentação do aparelho e este está equipado com uma vedação para evitar quaisquer fugas. A vedação deve ser substituída após a rotação do conector (a vedação vem fornecida com o aparelho). A junta do tubo de entrada de gás tem rosca de 1/2 gás macho cilíndrica.

⚠ Ligação de um tubo de aço inoxidável sem juntas flexíveis para um acessório roscado. O encaixe do tubo de fornecimento de gás é um acessório roscado 1/2 gás macho cilíndrico. A instalação destes tubos deve ser efetuada de maneira que o seu comprimento, em condições de máxima extensão, não seja maior de 2000 mm. Quando a ligação estiver terminada, assegure-se de que o tubo metálico flexível não entre em contacto com as partes móveis ou fique amassado. Utilize exclusivamente

tubos e guarnições de retenção em conformidade com as normas nacionais em vigor.

⚠ IMPORTANTE: se usar um tubo de aço inoxidável, este deve ser instalado de forma a não tocar em qualquer parte móvel do armário (p. ex., numa gaveta). Este deve passar por uma área onde não existam obstruções e onde seja possível inspecioná-lo a todo o seu comprimento.

⚠ O aparelho deve estar ligado ao fornecimento de gás principal ou à botija de gás, em conformidade com as normas nacionais atuais. Antes de efetuar a ligação certifique-se de que o aparelho é compatível com o fornecimento de gás que pretende utilizar. Se não for o caso, siga as instruções indicadas no parágrafo “Adaptar a diferentes tipos de gás”.

⚠ Após a ligação ao abastecimento de gás, procure se existem fugas usando água com detergente. Ligue os queimadores e rode os botões da posição máx. 1* para a posição mínima 2* para verificar a estabilidade da chama.

ADAPTAR A DIFERENTES TIPOS DE GÁS

(Esta operação deve ser efetuado por um técnico qualificado).

⚠ Para adaptar o aparelho a um tipo de gás diferente do tipo para o qual foi fabricado (indicado na etiqueta de classificação), siga as etapas específicas fornecidas após as figuras relativas à instalação.

AVISOS RELATIVOS À ELETRICIDADE

⚠ IMPORTANTE: os dados relevantes sobre voltagem e absorção de energia estão indicados na placa de características.

⚠ O cabo de alimentação deve ser suficientemente comprido para ligar o aparelho à tomada elétrica da parede, depois de instalado no respetivo lugar. Não puxe o cabo de alimentação.

⚠ Deve ser possível desligar o aparelho da fonte de alimentação, desligando-o na ficha, caso esta esteja acessível, ou através de um interruptor multipolar instalado na tomada de acordo com a regulamentação aplicável a ligações elétricas; além disso, o aparelho deve dispor de ligação à terra, de acordo com as normas de segurança elétrica nacionais.

⚠ Não utilize adaptadores, fichas múltiplas ou extensões. Após a instalação do aparelho, os componentes elétricos devem estar inacessíveis ao utilizador. Não utilize o aparelho com os pés descalços ou molhados. Não ligue este aparelho se o cabo ou a ficha elétrica apresentar danos, se não estiver a funcionar corretamente, se estiver danificado ou se tiver caído.

⚠ Se o cabo de alimentação estiver danificado deverá ser substituído por um idêntico pelo fabricante ou por um técnico de assistência ou pessoas similarmente qualificadas de modo a evitar a ocorrência de situações perigosas, pois existe o risco de choques elétricos.

LIMPEZA E MANUTENÇÃO

⚠ AVISO: Assegure-se de que o aparelho está desligado da fonte de alimentação antes de realizar quaisquer operações de manutenção; nunca use uma máquina de

limpeza a vapor para limpar o aparelho - risco de choques elétricos.

⚠ Não utilize produtos abrasivos ou corrosivos, produtos de limpeza à base de cloro, ou esfregões da louça.

⚠ Para evitar danificar o isqueiro elétrico, não o utilize quando os queimadores não estiverem instalados.

ELIMINAÇÃO DA EMBALAGEM


O material da embalagem é 100% reciclável, conforme indicado pelo símbolo de reciclagem .

As várias partes da embalagem devem ser eliminadas de forma responsável e em total conformidade com as normas estabelecidas pelas autoridades locais.

ELIMINAÇÃO DE ELETRODOMÉSTICOS

Este aparelho é fabricado com materiais recicláveis ou reutilizáveis. Elimine-o em conformidade com as normas de eliminação de resíduos locais. Para obter mais informações sobre o tratamento, recuperação e reciclagem de eletrodomésticos, contacte as autoridades locais, o serviço de recolha de resíduos domésticos ou a loja onde adquiriu o aparelho. Este aparelho está classificado em conformidade com a Diretiva Europeia 2012/19/UE relativa aos Resíduos de Equipamentos Elétricos e Eletrónicos (REEE) e com os regulamentos referentes à gestão de resíduos de equipamentos elétricos e eletrónicos de 2013 (conforme alteração).

Ao assegurar a eliminação correta deste produto, estamos a proteger o ambiente e a saúde humana contra riscos negativos.

O símbolo  no produto, ou nos documentos que acompanham o produto, indica que este aparelho não deve ser tratado como resíduo doméstico e deve ser transportado para um centro de recolha adequado para proceder à reciclagem do equipamento elétrico e eletrónico.

SUGESTÕES PARA POUPAR ENERGIA

Utilize panelas e frigideiras com um diâmetro de base igual ao da superfície de cozedura.

Utilize apenas panelas e frigideiras com fundo plano.

Se possível, mantenha as panelas tapadas durante a cozedura.

Utilize uma panela de pressão para poupar ainda mais energia e tempo.

DECLARAÇÃO DE CONFORMIDADE

Este aparelho cumpre os requisitos de conceção ecológica do regulamento europeu n.º 66/2014, os requisitos de conceção ecológica dos produtos relacionados com o consumo de energia e o regulamento sobre as informações energéticas (alteração) (saída UE) de 2019 em conformidade com a norma europeia EN 30-2-1.

As informações relacionadas com o modo de baixo consumo do aparelho, em conformidade com o Regulamento (UE) 2023/826, podem ser encontradas na seguinte hiperligação: <https://docs.emeaappliance-docs.eu>.

Tipo de gás utilizado	Tipo de queimador	Marca do injetor	Fluxo térmico anunciado kW	Consumo anunciado	Capacidade reduzida de calor kW	Pressão do gás mbar		
						min.	anunc.	máx.
GÁS NATURAL (Metano) G20	Semi-rápido (SR)	95 Z	1,65	157 l/h	0,40	17	20	25
	Auxiliar (AUX)	72 X	1,00	95 l/h	0,40			
	2 Anéis (DC)	138 A	3,50	333 l/h	1,65			
GÁS DE PETRÓLEO LIQUEFEITO (Butano) G30	Semi-rápido (SR)	63	1,65	120 g/h	0,40	20	28-30	35
	Auxiliar (AUX)	50	1,00	73 g/h	0,40			
	2 Anéis (DC)	91	3,50	254 g/h	1,65			
GÁS DE PETRÓLEO LIQUEFEITO (Propano) G31	Semi-rápido (SR)	63	1,65	118 g/h	0,40	25	37	45
	Auxiliar (AUX)	50	1,00	71 g/h	0,40			
	2 Anéis (DC)	91	3,50	250 g/h	1,65			

Tipo de gás utilizado	Configuração do modelo 4 QUEIMADORES	Taxa de fluxo térmico nominal (kW)	Consumo total nominal	Ar necessário (m ³) para queimar 1m ³ de gás
G20 20 mbar	2SR - 1AUX - 1DC	7,80	743 l/h	9,52
G30 28-30 mbar	2SR - 1AUX - 1DC	7,80	567 g/h	30,94
G31 37 mbar	2SR - 1AUX - 1DC	7,80	557 g/h	23,80

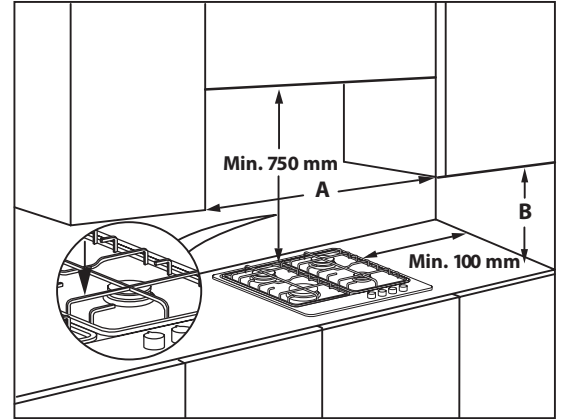
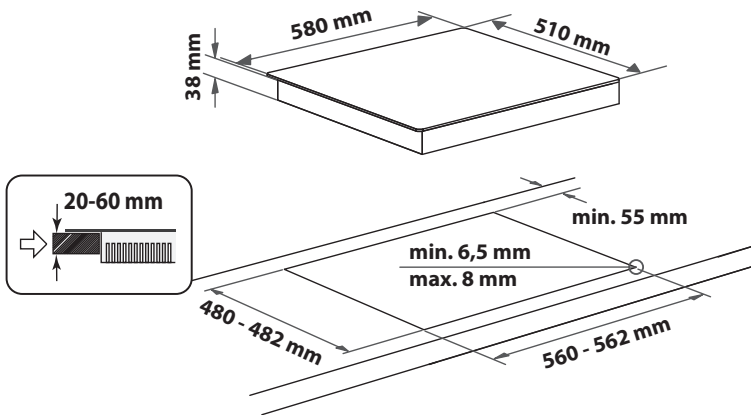
CORRENTE ELÉCTRICA: 220-240 V ~ 50-60 Hz - 0,6 W


INSTALAÇÃO (CLASSE 3)

INFORMAÇÃO TÉCNICA PARA QUEM INSTALAR A PLACA

- Utilize luvas de proteção quando manusear, preparar e instalar o produto.
- Este produto pode ser encastrado numa bancada com 20 a 60 mm de espessura.
- Se não for inserido um forno sob a placa, insira um painel separador com uma superfície no mínimo igual à abertura existente no tampo. Este painel deve ser colocado a uma distância máxima de 150 mm abaixo da superfície superior da bancada, mas nunca a menos de 20 mm do fundo da placa. Caso pretenda instalar um forno sob a placa, certifique-se de que este está equipado com um sistema de arrefecimento.

DIMENSÕES E DISTÂNCIAS A SEREM MANTIDAS



NOTA: se a distância "A" entre a parede dos armários for entre 600 mm e 730 mm, a altura "B" terá de ser, no mínimo, de 530 mm. Se a distância "A" entre a parede dos armários for maior do que a largura da placa, a altura "B" terá de ser, no mínimo, de 400 mm. Em caso de instalação de um exaustor por cima da placa, consulte as instruções do exaustor para uma distância correcta.

MONTAGEM

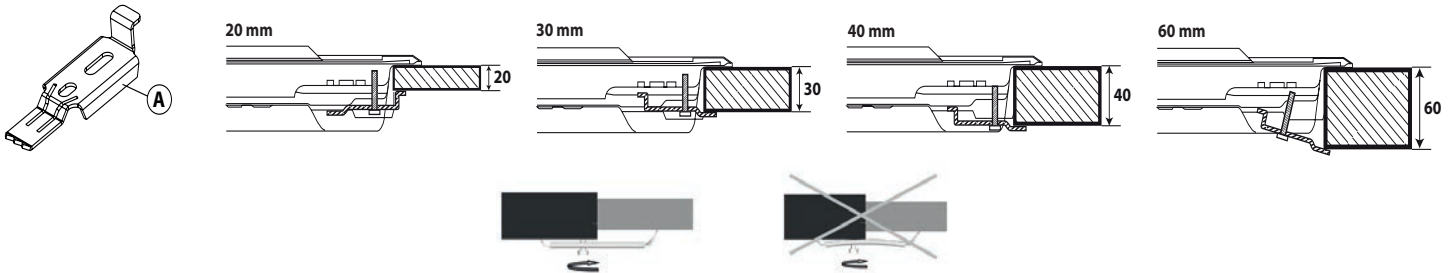
Depois de limpar a superfície periférica, aplique a junta fornecida na placa conforme indicado na figura.

Posicione a placa sobre a abertura da bancada que foi feita respeitando as dimensões indicadas nas Instruções.



NOTA: o cabo de alimentação deve ser suficientemente longo para permitir ser extraído para cima.

Para fixar a placa, utilize os suportes (A) fornecidos. Fixe os suportes nos respectivos orifícios indicados pelas setas e aperte-os com os respectivos parafusos de acordo com a espessura da bancada (consulte as figuras seguintes).

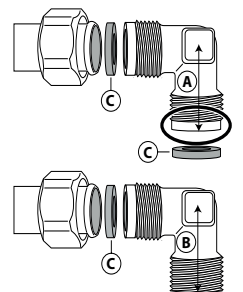


LIGAÇÃO DO GÁS

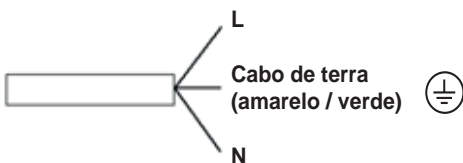
- Ligue o cotovelo (A)* ou (B)* fornecido, ao tubo de entrada principal da placa e introduza a anilha (C) fornecida, em conformidade com EN 549.*

***O cotovelo (A) deve ser usado em França e o cotovelo (B) em todos os outros países.**

- Após a ligação ao abastecimento de gás, procure se existem fugas usando água com detergente. Ligue os queimadores e rode os botões desde a posição máxima até à posição mínima para verificar a estabilidade da chama.



LIGAÇÃO ELÉCTRICA

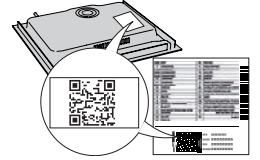



OBRIGADO POR COMPRAR UM PRODUTO HOTPOINT/ARISTON

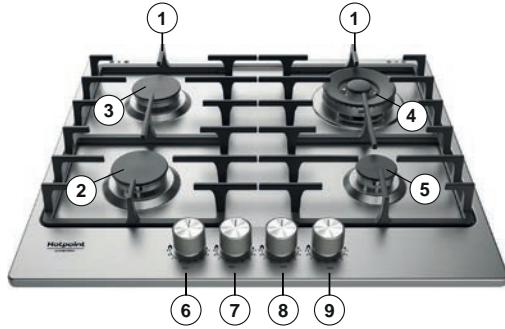
Para beneficiar de uma assistência mais completa, registre o seu produto em www.register10.eu.



Leia as instruções de segurança com atenção antes de usar o aparelho.



EFETUE A LEITURA DO CÓDIGO QR NO SEU APARELHO PARA OBTER MAIS INFORMAÇÕES


DESCRIÇÃO DO PRODUTO




1. Grelhas amovíveis
2. Queimador semi-rápido
3. Queimador semi-rápido
4. Queimador de 2 anéis
5. Queimador auxiliar
6. Botão de controlo do queimador semi-rápido
7. Botão de controlo do queimador semi-rápido
8. Botão de controlo do queimador com 2 anéis
9. Botão de controlo do queimador auxiliar

Símbolos

- Círculo sombreado ● Torneira fechada
- Chama grande  Abertura/saída máxima e acendedor elétrico
- Chama pequena  Abertura mínima ou saída reduzida

UTILIZAÇÃO DIÁRIA

COMO UTILIZAR A PLACA

 Não deixe que a chama do queimador vá para além do rebordo do fundo da panela.

IMPORTANTE: quando a placa está a ser usada, toda a área da placa pode estar quente.

- Para acender um dos queimadores, rode o respetivo botão no sentido inverso ao dos ponteiros do relógio até à posição de chama máxima.
- Carregue no botão contra o painel de controlo para ativar o isqueiro.
- Após acender o queimador, mantenha o botão premido durante cerca de 5-10 segundos para permitir uma operação correta do dispositivo.
- Este dispositivo de segurança do queimador desliga o abastecimento de gás até ao queimador caso a chama se apague acidentalmente (devido a uma súbita corrente de ar, interrupção no abastecimento de gás, líquidos que saíam por fora ao ferver, etc.).
- Não deve premir o botão durante mais do que 15 segundos. Se, após esse tempo, o queimador não se mantiver aceso, espere pelo menos um minuto antes de o tentar acender de novo.

NOTA: caso condições particulares do abastecimento de gás tornem difícil acender o queimador, recomendamos que repita a operação com o botão na posição da chama mais pequena.

O queimador pode apagar-se quando solta o botão. Isto significa que o dispositivo de segurança não aqueceu o suficiente. Neste caso, repita as operações descritas acima.

Se apagar-se acidentalmente a chama do queimador feche o botão de comando e tente acender novamente somente após um minuto no mínimo.

CONSELHOS PRÁTICOS PARA UTILIZAÇÃO DOS QUEIMADORES

Esta placa possui queimadores de diferentes diâmetros. Para um melhor desempenho, cumpra as seguintes regras:

- Utilize panelas e frigideiras que tenham um fundo com a mesma largura dos queimadores ou ligeiramente maior (consulte a tabela à direita).
- Utilize apenas panelas e frigideiras com fundo plano.
- Utilize a quantidade correta de água quando cozinhar alimentos, mantendo o tacho tapado.
- Certifique-se de que os tachos nas grelhas não vão para além do rebordo da placa.
- No caso de panelas com fundos convexos (WOK), utilize a grelha de suporte fornecida, que deve ser colocada apenas no queimador multianéis.
- Evitar batidas acidentais com panelas, grades ou outros utensílios da cozinha.
- Não deixar frigideiras vazias somber o fogão aceso por mais de 5 minutos.

IMPORTANTE: uma utilização incorreta das grelhas pode originar danos na placa: não coloque as grelhas de cima para baixo nem as arraste sobre a placa.

QUEIMADOR	Ø PANELA
2 anéis	Entre 24 e 26 cm
Semi-rápido	Entre 16 e 22 cm
Auxiliar	Entre 8 e 14 cm

Não utilize:

- frigideiras de ferro fundido, pedras para grelhador, potes e panelas de terracota;
- difusores de calor tais como malhas de metal, ou de qualquer outro tipo;
- dois queimadores em simultâneo para um utensílio (por exemplo panela para peixe).

ADAPTAR A DIFERENTES TIPOS DE GÁS

 Esta operação deve ser realizada por um técnico qualificado.

Se o aparelho vai ser usado com um tipo de gás diferente do que está indicado na placa de características e etiqueta de informações no topo da placa, mude os injetores.

Retire a etiqueta de informações e guarde-a com o livro de instruções.

Utilize reguladores de pressão adequados à pressão do gás indicada nas Instruções:

- o injetor de gás deve ser trocado pelo Serviço Pós-Venda ou por um técnico qualificado;
- o injetor não fornecido com o aparelho deve ser encomendado ao Serviço Pós-Venda;
- ajuste a definição mínima das torneiras.

NOTA: quando é usado gás de petróleo líquido (G30/G31), o parafuso de ajuste de saída mínima de gás, deve ser apertado o máximo possível.

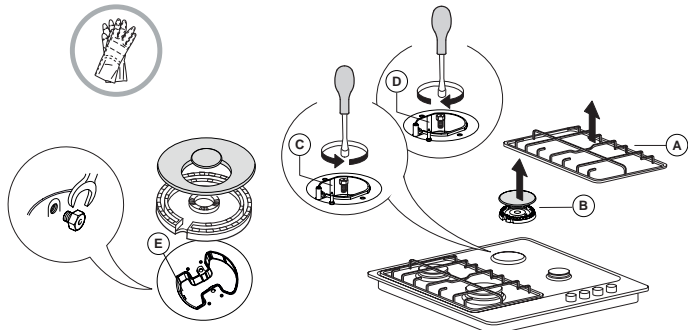
IMPORTANTE: se tiver dificuldade em rodar os botões dos queimadores, contacte o Serviço Pós-Venda para substituir a torneira do queimador caso tenha algum defeito.

IMPORTANTE: quando utiliza uma botija de gás, esta deve ser colocada devidamente (na posição vertical).

SUBSTITUIR OS INJETORES (consulte a tabela de injetores nas Instruções de segurança)

⚠ Esta operação deve ser realizada por um técnico qualificado.

- Retire as grelhas (A).
- Extraia os queimadores (B).
- Utilizando uma chave sextavada do tamanho adequado, desaperte o injetor (C), desaperte o injetor que quer substituir.
- Substitua-o pelo injetor adequado ao novo tipo de gás.
- Torne a montar o injetor em (D).
- Se tiver um queimador com várias coroas, utilize a chave lateral para substituir o injetor (E).



Antes de instalar a placa, não se esqueça de afixar a placa de calibração do gás fornecida com os injetores, de forma que esta cubra a informação anterior relativa à calibração de gás.

TABELA DE COZEDURA

NÍVEL	MÉTODO/TIPO DE COZEDURA (SUGERIDOS PARA)	SUGESTÕES DE COZEDURA
1-2	MANTER QUENTE	Ideal para amolecer manteiga, derreter levemente chocolate em banho maria, descongelar pequenas porções e preparar risoto cremoso.
	COZEDURA SUAVE	
3-4	COZINHAR LENTAMENTE	Ideal para receitas de cozedura lenta (arroz, molhos, assados, peixe) utilizando líquidos (água, vinho, caldo), e massas cremosas, manter uma cozedura leve.
	GUIZAR	
5-6	A ASSAR	Ideal para saltear, estufar vegetais, cozinhar durante períodos mais longos, preaquecer acessórios, cozinhar até ficar cremoso.
	FRITAR	
7-8	FRITAR	Ideal para dourar, começar a cozinhar, ferver rapidamente os líquidos, fritar alimentos congelados a baixas temperaturas, grelhar carne e peixe, manter uma cozedura forte.
	GRELHAR	
9	AQUECIMENTO RÁPIDO	Ideal para o aumento rápido da temperatura dos alimentos ou para o aquecimento rápido de líquidos (água).

LIMPEZA E MANUTENÇÃO

⚠ Desligue o aparelho da corrente elétrica.

LIMPAR A SUPERFÍCIE DA PLACA

- Todas as partes de esmaltadas e de vidro, devem ser limpas com água quente e uma solução neutra.
- As superfícies em aço inoxidável podem ficar manchadas por água calcária ou detergentes agressivos, se ficarem em contacto com estes durante muito tempo. Qualquer alimento derramado (água, molho, café, etc.) deve ser limpo antes que seque.
- Limpe com água quente e detergente neutro e, de seguida, seque com um pano macio ou camurça. Retire a sujidade acumulada com produtos de limpeza específicos para superfícies de aço inoxidável.

NOTA: limpe o aço inoxidável apenas com um pano macio ou com uma esponja.

- Não utilize produtos abrasivos ou corrosivos, produtos de limpeza à base de cloro, ou esfregões da louça.
- Não utilize aparelhos de limpeza a vapor.
- Não utilize produtos inflamáveis.
- Não deixe substâncias ácidas ou alcalinas, tais como vinagre, mostarda, sal, açúcar ou sumo de limão, sobre a placa de fogão.

AJUSTAR A SAÍDA MÍNIMA DE GÁS DAS TORNEIRAS

⚠ Esta operação deve ser realizada por um técnico qualificado.

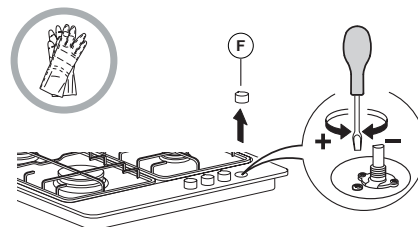
Os ajustes devem ser realizados com o botão na posição de mínimo (chama pequena).

O ar primário dos queimadores não precisa de ser ajustado.

Para garantir que a saída mínima está corretamente ajustada, retire o botão (F) e faça o seguinte:

- aperte o parafuso para reduzir a altura da chama (-);
- solte o parafuso para aumentar a altura da chama (+).

Nesta fase, ligue os queimadores e rode os botões desde a posição máxima até à posição mínima para verificar a estabilidade da chama.



Quando terminar o ajuste, tome a selar usando cera ou um material equivalente.

LIMPAR AS PARTES DA PLACA

- Limpe o vidro e as partes esmaltadas apenas com um pano macio ou uma esponja.
- Grelhas, tampas dos queimadores e queimadores, podem ser retirados para limpeza.
- Limpe-os manualmente com água quente e detergente não abrasivo, removendo quaisquer resíduos de alimentos e verificando se nenhum dos orifícios do queimador está entupido.
- Enxague e seque.
- **As grelhas de ferro fundido podem ser lavadas na máquina de lavar loiça. Remova quaisquer vestígios de alimentos queimados antes de colocar as grelhas na prateleira inferior da máquina de lavar loiça.**
- Torne a colocar os queimadores e as tampas corretamente nos respetivos locais.
- Quando tornar a colocar as grelhas, certifique-se de que a área onde assentam as panelas está alinhada com o queimador.
- Os modelos equipados com isqueiro elétrico e dispositivo de segurança, exigem uma limpeza mais aprofundada da extremidade do acendedor para garantir uma operação correta. Verifique estas partes frequentemente e, se necessário, limpe-as com um pano húmido. Quaisquer restos de alimentos devem ser retirados com um palito ou uma agulha.

NOTA: Para evitar danificar o isqueiro elétrico, não o utilize quando os queimadores não estiverem instalados.

Hotpoint

ARISTON

RESOLUÇÃO DE PROBLEMAS

Se a placa não funcionar devidamente, antes de contactar o Serviço Pós-Venda, consulte o Guia para Resolução de Problemas para determinar qual o problema.

1. O queimador não acende ou a chama não é regular

Verifique se:

- o abastecimento de gás ou energia elétrica não estão desligados, e especialmente se a torneira de segurança do gás está aberta.
- a botija de gás (gás líquido) não está vazia;
- as aberturas do queimador não estão entupidas;
- a extremidade do acendedor não está suja;
- todas as partes do queimador estão posicionadas corretamente;
- não existem correntes de ar perto da placa.

2. O queimador não se mantém aceso

Verifique se:

- quando acende o queimador, o botão foi premido o tempo suficiente para ativar o dispositivo de proteção;
- as aberturas do queimador não estão entupidas perto do par termoelétrico;

- a extremidade do dispositivo de segurança não está suja;
- a saída mínima de gás está corretamente ajustada (consulte o parágrafo relevante)

3. Os recipientes não estão estáveis

Verifique se:

- o fundo do recipiente é perfeitamente plano;
- o recipiente está centrado sobre o queimador;
- as grelhas não foram trocadas ou posicionadas incorretamente.

Se, após efetuar as verificações acima indicadas, o problema persistir, contacte o Serviço Pós-Venda mais próximo.

SERVIÇO PÓS-VENDA

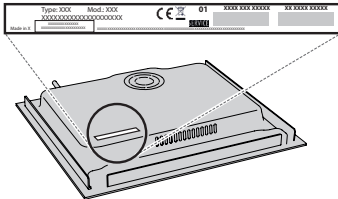
ANTES DE CONTACTAR O SERVIÇO PÓS-VENDA:

1. Tente solucionar o problema sozinho com a ajuda das sugestões fornecidas na secção de **RESOLUÇÃO DE PROBLEMAS**.
2. Desligue e volte a ligar o aparelho para verificar se o problema ficou resolvido.

SE O PROBLEMA PERSISTIR APÓS ESSAS VERIFICAÇÕES, CONTACTE O SERVIÇO PÓS-VENDA MAIS PRÓXIMO.

Quando contactar o nosso Serviço de Pós-venda indique sempre:

- uma breve descrição da anomalia;
- o tipo e o modelo exato do aparelho;



- o número de série (número situado após a palavra SN na chapa de características localizada por baixo do aparelho). O número de série também se encontra indicado na documentação;



PRODUCT INFORMATION

Mod. **xxx xxx**

Ind.C. **xxxx xxxx xxxx**

SN: **xxxx xxxx xxxx**

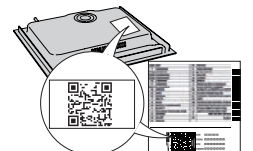
Prod.N. **xxxx xxxx xxxx**

- a sua morada completa;
- o seu número de telefone.

Se for necessário efetuar alguma reparação, contacte um Serviço de Assistência Técnica autorizado (para garantir a utilização de peças sobressalentes originais e uma reparação correta).

As políticas, a documentação padrão e as informações de produto adicionais poderão ser consultadas:

- Utilizar o código QR no seu aparelho;
- Visitando o nosso website **docs.hotpoint.eu**;
- Em alternativa, **contacte o nosso Serviço Pós-venda** (através do número de telefone contido no livrete da garantia). Ao contactar o nosso Serviço Pós-Venda, indique os códigos fornecidos na placa de identificação do seu produto.



⚠ Juhised kehtivad riigis, mille sümbol on näha seadmel. Kui seadmel riiki tähistav sümbol puudub, tuleb uurida tehnilisi juhiseid, mis annavad vajalikku informatsiooni seadme muutmiseks, et see vastaks riigispetsiifilistele tingimustele.

⚠ **ETTEVAATUST:** Gaasil töötava küpsetusseadme kasutamine toob kaasa kuumuse, niiskuse ja põlemissaaduste sattumise seadme paiknemisruumi. Kindlustage köögi piisav õhuvahetus seadme kasutamisel. Hoidke naturaalsed õhutusavad lahti või paigaldage mehhaaniline ventilatsiooniseade (mehhaaniline tõmbekapp). Seadme pikaajaline, intensiivne kasutamine võib kaasa tuua suurenenud õhuvahetuse vajaduse, näiteks akna avamise või efektiivse ventilatsioonisüsteemi (mehaanilise õhuvahetuse suurendamise) näol.

⚠ Kui selles juhendis toodud teavet täpselt ei järgita, võib see põhjustada tulekahju või plahvatuse, millega võivad kaasneda varaline kahju ja kehavigastused.

Enne seadme kasutamist lugege see ohutusjuhend hoolikalt läbi. Hoidke see hilisemaks läbivaatamiseks käepärast.

Nendes juhendites ja seadmel endal on olulised hoiatused, mida tuleb pidevalt järgida. Tootja ei vastuta, kui ohutusjuhendeid ei järgita, seadet kasutatakse valesti või määratakse sobimatud seaded.

⚠ **HOIATUS!** Kui pliidiplaat on pragunenud, ei tohi seadet kasutada, sest tekib elektrilöögioht.

⚠ **HOIATUS!** Süttimisoht: ärge hoidke toiduvalmistamispindadel esemeid.

⚠ **ETTEVAATUST!** Küpsetamist tuleb jälgida. Lühidat küpsetamist tuleb jälgida pidevalt.

⚠ **HOIATUS!** Rasva või õliga toidu küpsemine pliidiil ilma järelevalveta võib olla ohtlik, sest tekib tuleoht. **ÄRGE** proovige kustutada tuld veega, vaid lülitage seade välja ning katke seejärel leek katte, näiteks kaane või tulekustutustekiga.

⚠ Ärge kasutage pliidiplaati töö- või abipinnana. Hoidke riided ja muud tuleohtlikud materjalid seadmest eemal, kuni kõik selle osad on täielikult maha jahtunud, vastasel juhul võib tekkida tuleoht.

⚠ Väikelapsed (vanuses 0–3 aastat) tuleb seadmest eemal hoida. Lapsed (vanuses 3–8 aastat) tuleb seadmest eemal hoida, kui nende järele ei valvata. Lapsed alates 8 eluaastast ja piiratud füüsiliste, sensoorsete või vaimsete võimetega või kogemuste või teadmisteta isikud võivad seadet kasutada ainult siis, kui nende tegevust jälgitakse või neid on seadme ohutuks kasutamiseks juhendatud ja kui nad mõistavad sellega seotud ohtusid. Jälgige, et lapsed seadmega ei mängiks. Lapsed ei tohi seadet ilma järelevalveta puhastada ega hooldada.

⚠ **ETTEVAATUST!** Kui pliidiplaadi klaas puruneb, lülitage kohe kõik põletid ja elektrilised kütteelemendid välja ning isoleerige seade elektritoitest; ärge puudutage seadme pinda; ärge kasutage seadet. Klaasist kaas võib puruneda, kui see kuumaks läheb.

Lülitage kõik põletid ja elektriplaadid enne kaane sulgemist välja. Ärge sulgege kaant, kui põleti põleb.

⚠ **HOIATUS!** Seade ja selle ligipääsetavad osad muutuvad kasutamisel kuumaks. Vältige kütteelementide puudutamist. Nooremad kui 8 aastased lapsed tuleb seadmest eemal hoida, kui nende tegevust pidevalt ei jälgita.

⚠ Toitu ei tohi enne või pärast valmistamist jätta toote peale ega sisse kauemaks kui üheks tunniks.

LUBATUD KASUTUS

⚠ **ETTEVAATUST!** Seade ei ole mõeldud kasutamiseks välise lülitusseadmega, nagu taimer või eraldi kaugjuhtimissüsteem.

⚠ Seade on ettenähtud kasutamiseks kodumajapidamises ja teistes sarnastes kohtades, nagu: kauplustes, kontorites ja teiste töökeskkondade töötajate köögi piirkondades; talumajapidamistes; hotellides, motellides, kodumajutusasutustes ja teistes sarnastes kohtades.

⚠ Muud kasutusviisid (nt ruumide soojendamine) pole lubatud.

⚠ See seade ei ole mõeldud professionaalseks kasutuseks. Ärge kasutage seadet välitingimustes.

⚠ Kasutage potte ja panne, mille põhi on sama põletitega lai või pisut laiem (vt vastavat tabelit). Veenduge, et restidel olevad potid ei ulatuks üle pliidiplaadi serva.

⚠ Restide vale kasutus võib pliidiplaati kahjustada: ärge paigutage reoste tagurpidi ega lohistage neid pliidiplaadil.

Ärge laske põleti leegil ulatuda panni servast kaugemale.

Kui pliidi pind on valmistatud klaasist, ärge kasutage malmpanne, küpsetuskive, terrakotapotte ja -panne.

Ärge kasutage: soojushajuteid, nagu metallvõrk jmt. kahte põletid korraga ühe anuma kuumutamiseks (nt kala küpsetusalus).

Kui kohalikud gaasivarustuse tingimused muudavad põleti süütamise keeruliseks, on soovitatav toimingut korrata madalale leegitugevusele seatud nupuga.

Kui pliidi kohale paigaldatakse õhupuhasti, vaadake õiget vahekaugust õhupuhasti juhendist.

Restide kaitsvad kummijalad kujutavad lastele lämbumisohtu. Pärast restide eemaldamist kontrollige, et kõik jalad oleksid õigel kohtadel.

PAIGALDAMINE

⚠ Seadet tuleb paigaldada ja käsitseda kahe või enama inimesega - vigastusoht. Kasutage lahtipakkimiseks ja paigaldamiseks kaitsekindaid - sisselõikamise oht.

⚠ Elektrilised ja gaasipõhised ühendused peavad vastama kohalikele nõuetele.

⚠ Paigaldamine, k.a veevarustus (kui olemas) ja elektriühendused, ja remonditööd tuleb teostada kvalifitseeritud tehniku poolt. Ärge parandage ega asendage mõnda seadme osa, kui seda kasutusjuhendis otseselt ei soovitata. Hoidke lapsed paigalduskohast eemal. Veenduge pärast seadme lahtipakkimist, et see ei ole transportimisel kahjustada saanud. Probleemide esinemisel võtke ühendust edasimüüja või lähima teenindusega. Kui seade on paigaldatud, tuleb pakendijäätmed (plastik, stüroplastist osad jne) paigutada lastele kättesaamatusse kohta - lämbumisoht. Enne paigaldamist tuleb seade vooluvõrgust lahti ühendada - elektrilöögioht. Jälgige paigaldamise ajal, et seade ei

kahjustaks toitejuhet - tulekahju või elektrilöögi oht. Aktiveerige seade alles siis, kui paigaldamine on lõpetatud.

⚠ HOIATUS! Seadmemuudatused ja paigaldusmeetod on olulised seadme ohutul ja korrektsel kasutamisel kõigis muudes riikides.

⚠ Kasutage juhises märgitud rõhuregulaatoreid seadme gaasirõhu reguleerimiseks.

⚠ Ruumis peab olema õhueraldussüsteem, mis eemaldab põlemisel tekkinud suitsu.

⚠ Ruumis peab olema ka korrektne õhuringlus, kuna hapnik on vajalik normaalseks süütetegevuseks. Õhuvool ei tohiks olla väiksem kui 2 m³/h ühe seadme jõuühiku kW kohta.

⚠ Õhuringluse süsteem võib õhkuda saada ka õuest toruga, mille sisediameeter on vähemalt 100 cm²; Toru avale ei tohi tekkida takistust.

⚠ Süsteem võib olla seadistatud kaudselt nii, et süütetegevuseks vajalik õhk saadakse kõrvalolevatest ruumidest, mis on varustatud eelpool nimetatud õhuringlustorudega. Samas ei tohi nimetatud ruumid olla magamistoas, avalikud või tuleohuga ruumid.

⚠ Vedelgaas vajub põrandale, kuna on õhust raskem gaas. Seetõttu peab LGP silindritega varustatud ruumides olema ka õhuvahetussüsteem, mis aitab lekke korral gaasil ruumist pääseda. LPG silindrid tuleb seetõttu paigaldada või hoiustada kas osaliselt või täielikult ruumides või pindadel, mis on allpool merepinda (kelder vms). Soovituslik on hoida seadmeruumis ainult kasutuses olev silinder, mis ei puutu kokku välisallikatest tekkiva võimaliku kuumusega (ahjud, tulekolded, pliidid vms), mis võiks silindri temperatuuri tõsta üle 50°C.

Kui teil peaks esinema raskusi põletinuppude keeramisega, võtke ühendust müügijärgse klienditeenindusega vigase (leiu korral) põletikraani vahetamiseks. Õhuvahetuseks ja kuumuse hajutamiseks kasutatavaid avasid ei tohi kunagi kinni katta.

⚠ Tehke mööblis kõik vajalikud sisselõiked enne seadme paigaldamist ja eemaldage puulaastud ja saepuru.

⚠ Kui seadet EI paigaldada ahju kohale, tuleb seadme all olevasse ruumi paigaldada eralduspaneel (ei ole komplektis).

GAASIÜHENDUS

⚠ HOIATUS! Enne paigaldamist tehke kindlaks, et kohalikud energia jaotustingimused (naturaalne maagaasvõirõhkgaas) ja seadme ühilduvustingimused.

⚠ Kontrollige tabelis „Põleti ja düüsi andmed“ toodud gaasi väärtuste vastavust tootja gaasirõhuga.

⚠ HOIATUS! Seadme reguleerimistingimused on toodud sildil (või andmeplaadil).

⚠ HOIATUS! Seade pole ühendatud põlemissaaduste väljutusseadmega. See paigaldatakse ja ühendatakse praeguste paigaldusnõuete kohaselt. Erilist tähelepanu tuleb pöörata ventilatsiooni puudutavatele asjakohastele nõudmistele.

⚠ Vedelgaasi kasutamisel seadmes tuleb regulatsioonikruvi kinnitada võimalikult tihedalt.

⚠ OLULINE! Gaasilindri kasutamisel tuleb see või gaasikonteiner seadistada korrektselt (vertikaalsuunas).

⚠ HOIATUS! Seda peab tegema kvalifitseeritud tehnik.

⚠ Kasutage gaasiühenduse jaoks ainult painduvat või jäika metalltoru.

⚠ Ühendus jäiga toruga (vask või teras). Ühendus gaasisüsteemiga tuleb luua nii, et seadmele ei rakenduks mingit pinget. Seadme varustusastmel on L-kujuline torukinnitus, millel on tihend lekete ärahoidmiseks. Tihendi peab alati välja vahedama peale toru paigaldusvahendi keeramist (tihend on koos seadmega). Gaasitoitetoru paigaldusvahend on 1/2 keermestatud gaasilindri pistikühendus.

⚠ Painduva liitmiketa roostevabast terasest toru ühendamine keermestatud kinnituse külge. Gaasivarustustoru kinnitus on keermestatud 1/2 gaasi silindrikujuline isane kinnitus. Torud tuleb paigaldada nii, et nende täispikkus poleks kunagi üle 2000 mm. Pärast ühendamist kontrollige, et painduv metalltoru ei puutuks kokku liikuvate osadega ja ei oleks kokku surutud. Kasutage ainult riiklikele nõuetele vastavaid torusid ja tihendeid.

⚠ OLULINE! Roostevabast terasest toru kasutamisel ei tohi see paigaldamisel kokku puutuda mööbli liikuvate osadega (nt sahtel). Toru peab tarnima takistusteta alas, kus saaks kontrollida ka vajadusel seda täispikkuses.

⚠ Seade tuleks ühendada peamisesse gaasitoitetorusse või –silindrisse riiklike nõuete kohaselt. Enne igasuguse ühenduse loomist kontrollige, et seade vastaks kasutatava tootjagaasi nõuetele. Vastavuse puudumisel vaadake juhiseid paragrahvis „Erinevatele gaasitüüpidele kohandamine“.

⚠ Pärast gaasivarustuse ühendamist kontrollige seebivett kasutades võimalike lekete olemasolu. Süüdake põletid ja keerake nuppu maksimaalsest asendist 1* minimaalsesse asendisse 2*, et kontrollida leegi stabiilsust.

ERINEVATELE GAASITÜÜPIDELE KOHALDAMINE

(Selle toimingu peab tegema kvalifitseeritud tehnik).

⚠ Seadme kohandamiseks gaasitüübiga, mis erineb ettenähtud gaasitüübist (näidatud andmesildil), järgige paigaldusjooniste järel toodud üksikasjalikke juhiseid.

ELEKTRIGA SEOTUD HOIATUSED

⚠ OLULINE! Voolu- ja pingetarbimise teave on toodud andmesildil.

⚠ Toitekaabel peab olema piisavalt pikk, et see ulatuks pärast seadme korpuse paigaldamist toiteallikani. Ärge tõmmake toitejuhet.

⚠ Seadet peab olema võimalik vooluvõrgust lahutada kas pistikut pesast välja tõmmates, kui pistik on juurdepääsetav, või ligipääsetava mitmepooluselise lüliti abil, mis on paigaldatud pistikupesast ülesvoolu kooskõlas riiklike ohutuseeskirjadega. Seade peab olema maandatud vastavalt riiklikele elektriõhusstandarditele.

⚠ Ärge kasutage pikendusjuhtmeid, mitmikpesi ega adaptereid. Elektrilised komponendid ei tohi pärast paigaldamist olla kasutajale ligipääsetavad. Ärge kasutage seadet märjana ega paljajalu. Ärge kasutage

seadet, kui selle toitejuhe või pistik on vigane, kui see ei tööta korralikult või kui see on kahjustatud või maha kukkunud.

⚠ Kui toitejuhe on kahjustatud, peab tootja, teenindus või muu kvalifitseeritud isik selle ohtude, näiteks elektrilöögiohu vältimiseks asendama.

PUHASTAMINE JA HOOLDUS

⚠ HOIATUS! Enne hooldustööde tegemist veenduge, et seade on välja lülitatud ja toitevõrgust lahti ühendatud; ärge kunagi kasutage aurpuhastusseadmeid, sest nendega tekib elektrilöögioht.

⚠ Ärge kasutage abrasiivseid ega söövitavaid tooteid, klooripõhiseid puhastusvahendeid ega traatnuustikuid.

⚠ Elektrilise süüteseadme kahjustamise vältimiseks ärge kasutage seda ajal, kui põletid ei asu oma kohal.

PAKKEMATERJALIDE ÄRAVISKAMINE

Pakkematerjal on 100% ringlussevõetav ja märgistatud ringlussevõtusümboliga




Pakendi osad tuleb ära visata vastutustundlikult ja täies vastavuses kohalike jäätmeäritlusnõuetega.

KODUMASINATE JÄÄTMEKÄITLUS

See seade on toodetud taaskäideldavatest või taaskasutatavatest materjalidest. Kõrvaldage seade vastavalt kohalikele jäätmeäritluseeskirjadele. Elektriliste majapidamise seadmete jäätmeäritluse kohta saate täpsemat teavet kohalikest omavalitsusest, majapidamise seadmete kogumispunktist või poest, kust seadme ostsite. Seade on tähistatud vastavuses Euroopa Parlamendi ja nõukogu direktiiviga 2012/19/EL elektri- ja elektroonikaseadmetest tekkinud jäätmete kohta (WEEE) ja elektri- ja elektroonikaseadmetest tekkinud jäätmete 2013. aasta määrustega (uuendatud sõnastus).

Tagades seadme korrektse utiliseerimise, aitate hoida ära potentsiaalseid negatiivseid mõjusid keskkonnale ja inimeste tervisele.

Sümbol  seadmel või seadmega kaasapandud dokumentatsioonis näitab, et seadet ei tohi käidelda olmejäätmena, vaid et see tuleb toimetada lähimasse elektri- ja elektroonikaseadmete kogumispunkti.

ENERGIASÄÄSTUNIPID

Kasutage potte ja panne, mille põhja läbimõõt on võrdne keedualaga.

Kasutage ainult lamedapõhjalisi potte ja panne.

Võimaluse korral valmistage toitu kaane all.

Kiirkeedupoti abil säästate veel rohkem aega ja energiat.

VASTAVUSDEKLARATSIOON

Seade on vastavuses komisjoni määruse (EL) 66/2014 ökodisaininõuetega, energiamõjuga toodete ökodisaini ja energiateabe (muudatus) (EL-ist väljaastumine) määrustega 2019, mis on kooskõlas Euroopa standardiga EN 30-2-1. Teave seadme vähese energiatarbega režiimi kohta määruse (EL) 2023/826 kohaselt on saadaval järgmisel veebisaidil: <https://docs.emeaappliance-docs.eu>.

Kasutatava gaasi tüüp	Põleti tüüp	Düüsi tähis	Nominaalne termiline vooluhulk kW	Nominaalne tarbimus	Vähendatud soojusvõimsus kW	Gaasirõhk mbar		
						min.	rat.	max.
MAAGAAS (Metaan) G20	Poolkiire (SR)	95 Z	1,65	157 l/h	0,40	17	20	25
	Täiendav (AUX)	72 X	1,00	95 l/h	0,40			
	2 Rõngaga (DC)	138 A	3,50	333 l/h	1,65			
VEELDATUD NAFTAGAAS (Butaan) G30	Poolkiire (SR)	63	1,65	120 g/h	0,40	20	30	35
	Täiendav (AUX)	50	1,00	73 g/h	0,40			
	2 Rõngaga (DC)	91	3,50	254 g/h	1,65			
VEELDATUD NAFTAGAAS (Propaan) G31	Poolkiire (SR)	63	1,65	118 g/h	0,40	20	30	35
	Täiendav (AUX)	50	1,00	71 g/h	0,40			
	2 Rõngaga (DC)	91	3,50	250 g/h	1,65			

Kasutatava gaasi tüüp	Mudeli konguratsioon 4 PÕLETI	Nominaalne termiline vooluhulk (kW)	Nominaalne kogutarbimus	Vajalik õhukogus (m ³) 1m ³ gaasi põletamiseks
G20 20 mbar	2SR - 1AUX - 1DC	7,80	743 l/h	9,52
G30 30 mbar	2SR - 1AUX - 1DC	7,80	567 g/h	30,94
G31 30 mbar	2SR - 1AUX - 1DC	7,80	557 g/h	23,80

VOOLUVARUSTUS: 220-240 V ~ 50-60 Hz - 0,6 W

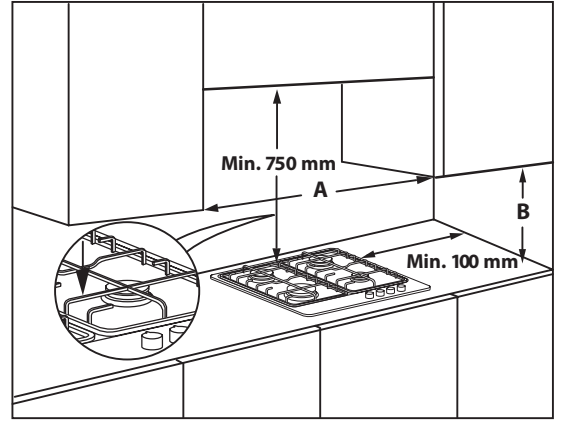
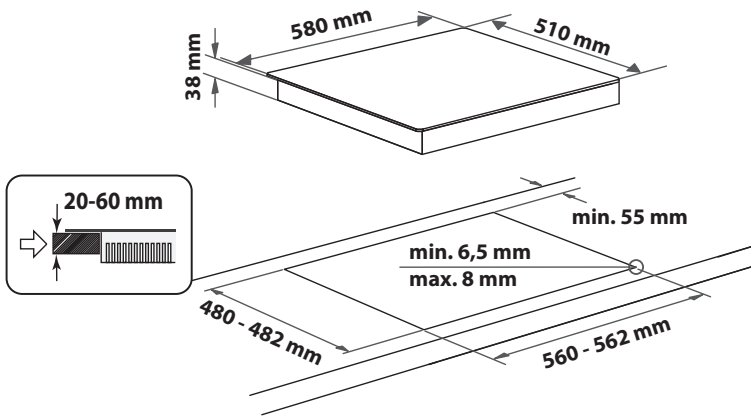


PAIGALDAMINE (KLASS 3)

PAIGALDAJALE MÖELDUD TEHNILINE TEAVE

- Kandke toote käsitsemisel, ettevalmistamisel ja paigaldamisel kaitsekindaid.
- Antud toodet saab integreerida 20 kuni 60mm paksu tööpinna sisse.
- Kui pliidiplaadi all ei ole ahju, sisestage eraldustahvel, mille pindala on vähemalt võrdne tööpinna tehtud avausega. Selline eraldustahvel peab olema paigaldatud maksimaalselt 150 mm tööpinna ülemise pinna alla, kuid mitte mingil juhul pliidi põhjale lähemale kui 20 mm. Juhul, kui soovite paigaldada pliidiplaadi alla ahju, veenduge et see oleks varustatud jahutussüsteemiga.

MÖÖTMED JA KOHUSTUSLIKUD VAHEKAUGUSED



MÄRKUS: kui seinakappide vaheline vahekaugus „A“ on 600 kuni 730mm, peab kõrgus „B“ olema vähemalt 530 mm. Kui seinakappide vaheline vahekaugus „A“ on suurem kui pliidiplaadi laius, peab kõrgus „B“ olema vähemalt 400 mm. Pliidi kohale tõmbekapi paigaldamisel järgige tõmbekapi juhendis toodud õiget vahekaugust.

KOKKUPANEMINE

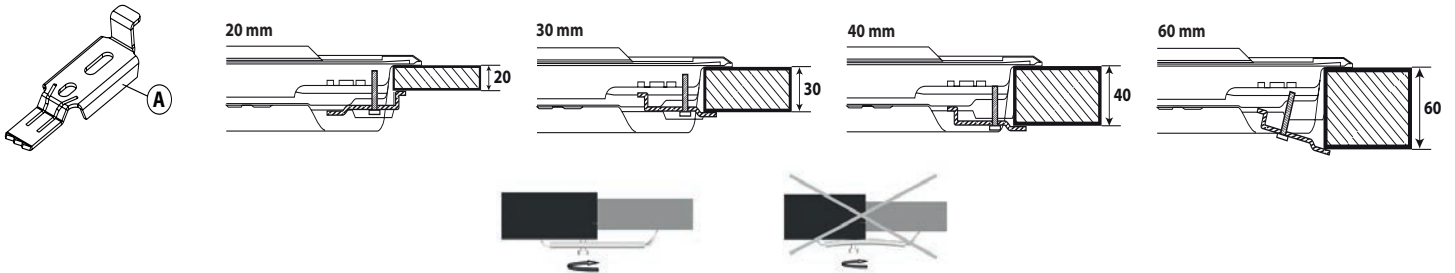
Pärast ümbrispinna puhastamist kinnitage pliidile joonisel näidatud moel tihend.

Asetage pliidiplaat juhendis märgitud möötmete alusel tööpinna tehtud avasse.



MÄRKUS: toitekaabel peab olema piisavalt pikk, et võimaldada ülespoole väljavõtmist.

Pliidiplaadi kinnitamiseks kasutage kaasasolevaid klambreid (A). Asetage klambrit noolega tähistatud avadesse ja kinnitage nende kruvidega vastavalt tööpinna paksusele (vt järgnevaid jooniseid).

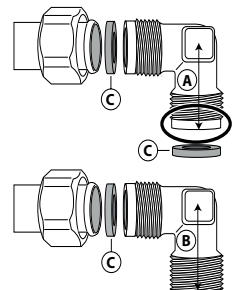


GAASIÜHENDUS

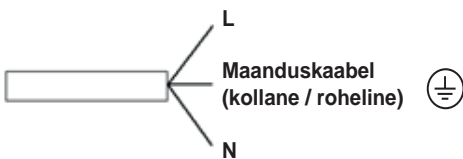
- Ühendage kaasasolev põlv (A)* või (B)* pliidi peasisselasketoriga ja asetage vahele kaasasolev seib (C) vastavalt standardile EN 549.

* Kasutage Prantsusmaal põlve (A) ja kõikide teiste sihtkohtade puhul põlve (B).

- Pärast gaasivarustuse ühendamist kontrollige seebivett kasutades võimalike lekete olemasolu. Süüdake põletid ja pöörake nupud leegi stabiilsuse kontrollimiseks maksimaalsest asendist minimaalsesse asendisse .



ELEKTRIÜHENDUSED

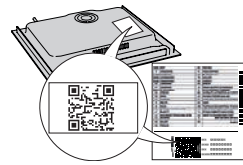
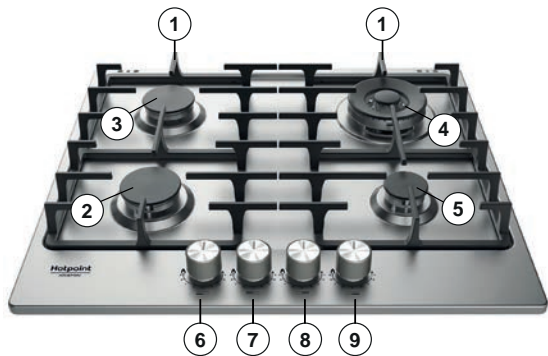


**TÄNAME, ET OSTSITE HOTPOINT/ARISTON TOOTE**

Parema tugiteenuse saamiseks registreerige oma seade aadressil
www.register10.eu.



Enne seadme kasutamist lugege hoolikalt läbi ohutusjuhend.

TÄPSEMA TEABE SAAMISEKS SKANNIGE OMA SEADME QR-KOOD**TOOTE KIRJELDUS**

1. Eemaldatavad toidunõu alusrestid
2. Poolkiire põleti
3. Poolkiire põleti
4. 2 rõngaga põleti
5. Täiendav põletiga
6. Poolkiire põleti juhtnupp
7. Poolkiire põleti juhtnupp
8. 2 rõngaga põleti juhtnupp
9. Täiendav põletiga juhtnupp

Sümbolid

- | | | |
|------------------|---|------------------------------------------|
| Tume ring | ● | Kraan suletud |
| Maksimaalne leek | 🔥 | Maksimaalne ava/etteanne ja elektrisüüde |
| Minimaalne leek | 🔥 | Minimaalne ava või vähendatud etteanne |

IGAPÄEVANE KASUTAMINE**KUIDAS PLIITI KASUTADA**

⚠️ Ärge laske põleti leegil ulatuda üle panni ääre.

NB! pliidi kasutamise ajal võib kogu pliiduala muutuda kuumaks.

- Ühe põletit süütamiseks keerake vastavat nuppu vastupäeva maksimaalse leegi asendisse.
- Põleti süütamiseks vajutage nuppu vastu juhtpaneeli.
- Kui põleti on süttinud, hoidke nuppu umbes 5-10 sekundit alla surutuna, et seade saaks korralikult tööle hakata.
- Põleti turvaseade katkestab põleti gaasivarustuse, kui leek peaks juhuslikult kustuma (ootamatu tõmbetuule, gaasivarustuse katkemise, vedeliku ülekeemise vms tõttu).
- **Nuppu ei tohi vajutada kauem kui 15 sekundit. Kui selle möödumise järel põleti ei jää põlema, oodake vähemalt üks minut enne, kui proovite uuesti süüdata.**

MÄRKUS peaks konkreetsed kohalikud gaasitarne tingimused muutma põleti süütamise raskeks, soovime korrata toimingut keerates nupu väikese leegi seadistuse peale.

Nupu vabastamisel võib leek kustuda. See tähendab, et turvaseade ei ole veel piisavalt üles soojenenud. Sellisel juhul korrake toimingut ülal kirjeldatud moel. Kui leek peaks juhuslikult kustuma, lülitage põleti välja ja oodake enne uuesti sisse lülitamist vähemalt 1 minut.

PRAKTLINE NÕUANNE PÕLETITE KASUTAMISEKS

Sellel pliidil on erineva suurusega põletid. Põletite paremaks toimimiseks pidage kinni järgmistest reeglitest.

- Kasutage potte ja panne, mille põhjad on põletitega sama suured või neist kergelt suuremat (vt paremal asuvat tabelit).
- Kasutage ainult lamedapõhjalisi potte ja panne.
- Kasutage toiduvalmistamiseks õiget kogust vett ja hoidke potil kaas peal.
- Jälgige, et restil asuvad potid ei ulatuks üle pliidiplaadi serva.
- Convex-põhjaga pannide puhul (WOK) kasutage tugiresti (ei kuulu komplekti), mida võib asetada ainult kahe rõngaga põletile.
- Vältige juhuslikke lööke pliidiplaadile pannide, restide või muude köögitarvikutega.
- Ärge jätke tühja lihigrilli sisse lülitatud põletile kauemaks kui 5 minutit.

NB! restide vale kasutamine võib kahjustada pliiti: ärge asetage reste alumine külg üles poole ega lohistage neid üle pliidi.

PÕLETI	POTI Ø
2 Rõngaga	24 kuni 26 cm
Poolkiire	16 kuni 22 cm
Täiendav	8 kuni 14 cm

Ärge kasutage:

- Malmrestid, ääriskivid, põletatud savist potid ja pannid.
- Soojushajutid, nagu metallvõrk või mõni teine tüüp.
- Kaks põletit üheaegselt ühele kuumutatavale esemele (näiteks katlale).

REGULEERIMINE VASTAVALT ERINEVALE GAASITÜÜPIDELE

⚠️ Seda toimingut võivad teostada ainult kvalifitseeritud tehnikud.

Kui seadet kavatsetakse asuda kasutama nimiplaadil ja pliidiplaadi peal asuval infosildil märgitud gaasist erineva gaasiga, tuleb düüsid välja vahetada. Eemaldage infosilt ja hoidke see koos juhendiga alles.

Kasutage juhendis märgitud gaasirõhule sobivaid rõhuregulaatoreid.

- Gaasidüüsi peab vahetama garantiiremonditeenindus või kvalifitseeritud tehnik.
- Seadmega kaasas mitte olevad düüsid tuleb tellida garantiiremonditeenindusest.
- Reguleerige vastavalt kraanide miinimumseadistusele.

MÄRKUS veeldatud naftagaasi kasutamisel (G30/G31), tuleb minimaalse gaasiseade kruvi lõpuni kinni keerata.

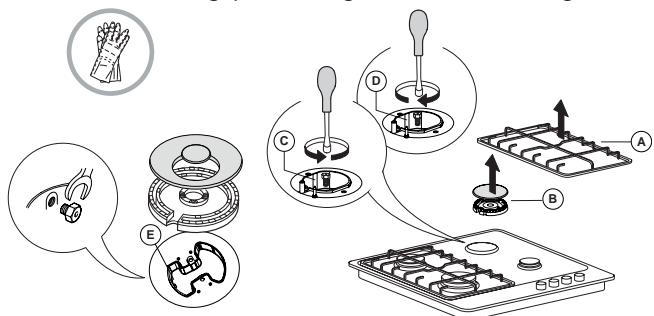
NB! kui põleti nuppude keeramine on muutunud raskeks, võtke palun ühendust garantiiremonditeenindusega, et vajaduse korral põleti kraan välja vahetada.

NB! gaasiballoon kasutamisel peab gaasiballoon või -mahuti olema korralikult oma kohale paigutatud (vertikaalses asendis).

DÜÜSIDE VAHETAMINE (vt Ohutusjuhend düüside tabelit)

⚠ Seda toimingut võivad teostada ainult kvalifitseeritud tehnikud.

- Eemaldage võred (A).
- Võtke välja põletid (B).
- Sobiva suurusega padrunvõtit kasutades kruvige lahti eemaldatav düüs (C).
- Asendage see uuele gaasitüübile sobiva düüsiga.
- Paigaldage düüs oma kohale (D).
- Kui teil on mitme krooniga põleti, kasutage düüsi vahetamiseks külmutrivõtit (E).



Enne pliidi paigaldamist kinnitage kindlasti düüsidega kaasasolev gaasi kalibreerimisplaat. Kinnitage see selliselt, et see kataks kinni olemasoleva gaasi kalibreerimisega seotud teabe.

KRAANIDE MINIMAALSE GAASISEADISTUSE REGULEERIMINE

⚠ Seda toimingut võivad teostada ainult kvalifitseeritud tehnikud.

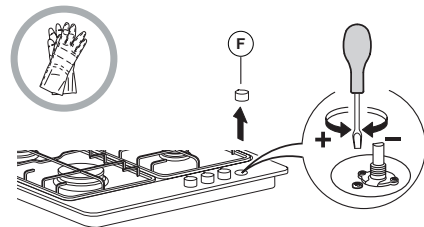
Reguleerimise ajal peab kraan olema minimaalses gaasiseadistuse asendis (väike leek).

Põletite primaarõhku ei ole vaja reguleerida.

Selleks, et minimaalse seadistus oleks õigesti reguleeritud, eemaldage nupp (F) ja tegutsege järgmiselt:

- pingutage kruvi leegi kõrguse vähendamiseks (-);
- vabastage kruvi leegi kõrguse suurendamiseks (+);

Süüdake selles etapis põletid ja pöörake nupud leegi stabiilsuse kontrollimiseks maksimaalsest asendist minimaalsesse asendisse.



Reguleerimise lõpul tihendage uuesti tihendusvaha või sellega võrdväärse materjaliga.

KÜPSETUSTABEL

TASE	KÜPSETUSMEETOD/- TÜÜP (SOOVITATAV KASUTUS)	SOOVITUSED KÜPSETAMISEKS
1-2	KEEP WARM (SOOJASHOID)	Ideaalne või sulatamiseks, šokolaadi aeglaseks sulatamiseks sulatuskastrulis, väiksemate koguste ülessulatamiseks, risotto koorekastme valmistamiseks.
	ÖRN KÜPSETUS	
3-4	AEGLANE KEETMINE	Ideaalne vedelikega (vesi, vein, puljong) aeglaselt valmistatavate toitude (riis, kastmed, praad, kala) jaoks, pastale koorekastme valmistamiseks, madala keemistemperatuuri hoidmiseks.
	HAUTAMINE	
5-6	RÖSTIMINE	Ideaalne rasvas pruunistamiseks, köögiviljade hautamiseks, pikaajaliseks küpsetuseks, eelkuumutamiseks, kreemjaks küpsetamiseks.
	PRAADIMINE	
7-8	KIIRPRAADIMINE	Ideaalne pruunistamiseks, küpsetamise alustamiseks, vedelike keema ajamiseks, külmutatud toodete praadimiseks, liha ja kala praadimiseks, kõrge keemistemperatuuri hoidmiseks.
	GRILLIMINE	
9	KIIRKUUMUTUS	Ideaalne toidu temperatuuri kiireks tõstmiseks või vedeliku (vesi) soojendamiseks.

PUHASTAMINE JA HOOLDAMINE

⚠ Võtke pistik seinakontaktist välja.

PLIIDIPINNA PUHASTAMINE

- Kõik emailleeritud ja klaasist osad tuleb puhastada sooja vee ja neutraalse pesulahusega.
- Kareda vee või agressiivsete pesuvahenditega pikaajalise kokkupuute tulemusel võivad roostevabast terasest pinnad määrduda. Maha läinud vesi, kaste, kohvi jms tuleb enne kuivamist ära pühkida.
- Puhastage sooja vee ja neutraalse pesuvahendiga ning kuivatage seejärel pehme lapi või seemisnahaga. Eemaldage kinni kõrbenud mustus spetsiaalsete roostevabast terasest pindadele mõeldud puhastusvahenditega.

MÄRKUS puhastage roostevaba terast ainult pehme lapi või švammiga.

- Ärge kasutage abrasiivseid või korrodeerivaid tooteid, klooripõhiseid puhastusvahendeid ega pannide küüritamisvahendeid.
- Ärge kasutage auruga puhastamise seadmeid.
- Ärge kasutage süttivaid tooteid.
- Ärge jätke pliidiplaadile happelisi või leeliselisi aineid, näiteks äädikat, sinepit, soola, suhkrut või sidrunimahla.

PLIIDI OSADE PUHASTAMINE

- Puhastage klaasi ja emailleeritud osi ainult pehme lapi või švammiga.
- Restid, põletikatted ja põletid saab puhastamise ajaks ära võtta.
- Puhastage neid käsitsi sooja vee ja mitteabrasiivse puhastusvahendiga eemaldades kõik toidujäägid ja kontrollides, et ükski põletiavadest ei oleks ummistunud.
- Loputage ja kuivatage.
- **Malmist reste võib pesta nõudepesumasinas. Eemaldage neilt enne nõudepesumasina alumisele riulile paigaldamist kõrbenud toit.**
- Pange põletid ja põletikatted õigesti oma vastavatesse kohtadesse tagasi.
- Restide tagasipanemisel jälgige, et toidunõu toetumisala oleks põletiga samal joonel.
- Elektriliste süüteküünalde ja turvaseadmega varustatud mudelid nõuavad korrektse töötamise tagamiseks küünla otsa põhjalikku puhastamist.

MÄRKUS: elektrilise süüteseadme kahjustamise vältimiseks ärge kasutage seda ajal, kui põletid ei asu oma kohal.

Kui pliidiplaat ei tööta korralikult, tutvuge enne garantiiremonditeenindusse helistamist probleemi kindlakstegemiseks järgneva tõrgete kõrvaldamise juhiseiga.

1. Põleti ei sütti või leek ei ole ühtlane

Kontrollige järgmist:

- Gaasi või elektrivarustus ei ole katkestatud ja et gaasivarustuskraan on avatud.
- Gaasiballoon (vedelgaas) ei ole tühi.
- Põleti avad ei ole ummistunud.
- Süüteküünlala ots ei ole määrdunud.
- Kõik põleti osad on õigesti kohtades.
- Pliidiplaadi lähedal ei ole tõmbetuult.

2. Põleti ei jää põlema

Kontrollige järgmist:

- Põleti süütamisel vajutati nupule piisavalt kaua, et aktiveerida kaitseseade.
- Põleti avad ei ole termoliitmiku juures ummistunud.
- Ohutusseadme ots ei ole määrdunud.
- Minimaalne gaasiseadistus on õige (vt asjakohast jaotist).

3. Toidunõu ei ole stabiilselt

Kontrollige järgmist:

- Toidunõu põhi on täiesti sile.
- Toidunõu asub põleti keskel.
- Reste ei ole vahetatud ega valesti oma kohale paigutatud.

Kui pärast eeltoodud kontrole ei ole tõrge kadunud, pöörduge lähima garantiiremonditeeninduse poole.

MÜÜGIJÄRGNE TEENINDUS

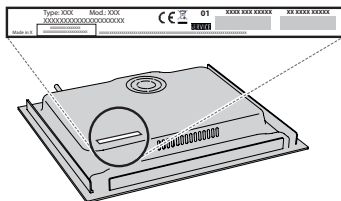
ENNE MÜÜGIJÄRGSESSE TEENINDUSSE HELISTAMIST:

1. Proovige probleemi ise **VEAOTSINGU JUHENDIS** olevate näpunäidete abil lahendada.
2. Lülitage seade välja ja uuesti sisse, et näha, kas probleem on kõrvaldatud.

KUI VIGA JÄÄB PÜSIMA KA PÄRAST ÜLALKIRJELDATUD KONTROLLIMISI, VÕTKE ÜHENDUST LÄHIMA TEENINDUSEGA.

Kui võtate ühendust meie klientidele mõeldud müügijärgse teenindusega, olge valmis esitama järgmisi andmeid:

- tõrke lühike kirjeldus;
- seadme tüüp ja täpne mudel;



- seerianumber (number, mis järgneb seadme all oleval andmesildil tähisele SN). Seerianumber on toodud ka dokumentatsioonis;

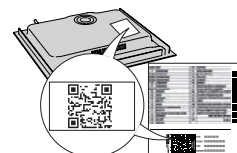


- teie täielik aadress;
- teie telefoninumber.

Kui seadet on vaja ükskõik millisel viisil remontida, pöörduge volitatud teenindusse (see garanteerib originaalvaruosade kasutamise ja kvaliteetse remondi).

Poliitika, standardite dokumentatsiooni ja toote lisateabe lugemiseks tehke järgmist:

- kasutage oma seadme QR-koodi;
- külastage meie veebisaiti **docs.hotpoint.eu**;
- teise võimalusena **võtke ühendust meie müügijärgse teeninduskeskusega** (vt telefoninumbrit garantiikirjas). Kui võtate ühendust müügijärgse teenindusega, siis teatage neile oma toote andmeplaadil olevad koodid.



⚠ Šios instrukcijos taikomos, jei ant prietaiso yra šalies simbolis. Jei ant prietaiso simbolio nėra, būtina vadovautis techninėmis instrukcijomis, kuriose pateikiami su prietaiso modifikacijomis susiję nurodymai, kad prietaisą būtų galima naudoti atitinkamoje šalyje.

⚠ **ĮSPĖJIMAS.** Kambaryje, kuriame įrengta ir naudojama dujinė viryklė, generuojama šiluma, drėgmė ir degimo produktai. Būtina užtikrinti, kad virtuvės ventiliacija būtų tinkama, ypač, kai naudojamas prietaisas: pasistenkite, kad natūralios ventiliavimo angos būtų atviros arba sumontuokite mechaninę ventiliacijos sistemą (mechaninę ištraukimo sistemą). Jei prietaisas naudojamas ilgai ir intensyviai, gali būti reikalinga papildoma ventiliacija; pavyzdžiui, būtina atidaryti langą arba naudoti efektyvesnes ventiliavimo priemones padidinant mechaninio ventiliavimo lygį (jei įmanoma).

⚠ Tiksliai nesilaikant šiame vadove pateiktos informacijos gali kilti gaisras arba įvykti sprogitas, kuris gali sukelti asmeninių sužalojimų arba sugadinti nuosavybę.

Prieš naudodami prietaisą, perskaitykite šią saugos instrukciją. Išsaugokite jas ateičiai.

Šiame vadove ir ant prietaiso pateikti svarbūs saugos perspėjimai, kuriuos būtina perskaityti ir visada laikytis. Gamintojas neprisiima atsakomybės, jei nesilaikoma šioje saugos instrukcijoje pateiktų nurodymų, prietaisas naudojamas netinkamai arba neteisingai nustatomi valdymo įtaisai.

⚠ **ĮSPĖJIMAS.** Jei kaitlentės paviršius įskilęs, prietaiso nenaudokite – kyla elektros smūgio pavojus.

⚠ **ĮSPĖJIMAS.** Ugnies pavojus: Nelaikykite daiktų ant gaminimo paviršiaus.

⚠ **ĮSPĖJIMAS.** Stebėkite visą gaminimo procesą. Negalima palikti be priežiūros net trumpo gaminimo proceso.

⚠ **ĮSPĖJIMAS.** Jei ant kaitlentės neprižiūrint verda riebalai arba aliejus, tai gali būti pavojinga – kyla gaisro pavojus. **JOKIU BŪDU** nebandykite liepsnos gesinti vandeniui; prietaisą išjunkite ir liepsną uždenkite, pavyzdžiui, dangčiu arba liepsnai gesinti skirtu audiniu.

⚠ Kaitlentės nenaudokite kaip darbo stalo ar atramos. Kol visi prietaiso komponentai visiškai neatvės, stenkitės nepisiliesti prie prietaiso drabužiais arba kitomis lengvai užsiliepsnojančiomis medžiagomis – kyla gaisro pavojus.

⚠ Labai maži vaikai (0–3 metų) turi būti saugiu atstumu nuo prietaiso. Vyresni vaikai (3–8 metų) turi būti saugiu atstumu nuo prietaiso, nebent visą laiką yra prižiūrimi. Šį prietaisą gali naudoti vaikai nuo 8 metų ir vyresni bei asmenys, turintys psichinį, jutiminį ar protinį neįgalumą arba tie, kuriems trūksta patirties arba žinių, jeigu jie yra prižiūrimi ir instruktuojami apie saugų prietaiso naudojimą ir supranta su tuo susijusius pavojus. Neleiskite vaikams žaisti su prietaisu. Neprižiūrimi vaikai neturėtų valyti ir prižiūrėti prietaiso.

⚠ **ĮSPĖJIMAS.** Jei sudužtų įkaitusios kaitvietės stiklas: nedelsdami išjunkite visus degiklius, elektrinius kaitinimo elementus ir atjunkite prietaisą nuo elektros maitinimo; nelieskite prietaiso paviršiaus; prietaiso nenaudokite.

Stiklinis dangtis gali įlūžti, jei jis užkaitinamas. Prieš nuleisdami dangtį išjunkite visus degiklius ir elektrines kaitvietes. Neuždarykite dangčio, jei dega degiklis.

⚠ **ĮSPĖJIMAS.** Naudojimo metu prietaisas ir pasiekiamos dalys gali įkaisti. Būkite atsargūs ir neprisilieskite prie kaitinimo elementų. Prietaisą reikia saugoti nuo jaunesnių nei 8 metų vaikų, jeigu jie nėra nuolat prižiūrimi.

⚠ Maisto negalima palikti gaminyje arba ant jo ilgiau kaip vieną valandą prieš gaminimą arba po jo.

LEISTINAS NAUDOJIMAS

⚠ **ĮSPĖJIMAS.** Prietaisas nėra pritaikytas valdyti naudojant išorinį perjungimo įtaisą, pvz., laikmatį, arba atskirą nuotolinio valdymo sistemą.

⚠ Šis prietaisas skirtas naudoti namuose ir panašiose patalpose, pavyzdžiui: parduotuvėse, biurų ir kitų įstaigų darbuotojų virtuvėse; gyvenamuosiuose namuose-ūkiuose; viešbučiuose, moteliuose, nakvynės vietose, kur patiekiami pusryčiai (angl. „Bed and Breakfast“), bei kitose apgyvendinimo įstaigose.

⚠ Kitoks naudojimas draudžiamas (pvz., kambariams šildyti).

⚠ Šis prietaisas nėra skirtas profesionaliam naudojimui. Prietaiso nenaudokite lauke.

⚠ Naudokite puodus ir keptuves, kurių dugnas tokio paties pločio kaip degikliai arba šiek tiek didesnis (žr. toliau esančią lentelę). Žiūrėkite, kad ant grotelių padėti puodai neišsikištų už kaitlentės krašto.

⚠ Netinkamai naudodami groteles galite pažeisti kaitlentę: nedėkite grotelių atvirkščiai ir nestumkite jų per kaitlentę.

Stebėkite, kad degiklio liepsna nebūtų aukštesnė už prikaistuvio kraštą.

Jei kaitlentės paviršius pagamintas iš stiklo, nenaudokite ketaus kepimo plokščių, ollar akmenų, terakotos puodų ir keptuvių.

Nenaudokite: karščio difuzorių, pvz., metalinių tinklelių ir pan.; dviejų degiklių vienam indui (pvz., žuvies katilui).

Jei dėl konkrečiai vietai būdingų dujų ypatumų degikliai blogai užsidega, rekomenduojama pakartoti veiksmą nustačius mažos liepsnos nustatymą.

Jei virš viryklės montuojamas gartraukis, tinkamas jo atstumas bus nurodytas gartraukio instrukcijoje.

Maži vaikai gali užspringti apsauginiais guminiiais grotelių padeliais. Nuėmę groteles įsitikinkite, kad padeliai tinkamai uždėti.

ĮRENGIMAS

⚠ Prietaisą perkelti ir įrengti turi du ar daugiau žmonių. Priešingu atveju galite susižeisti. Mūvėkite apsaugines pirštines, kai išpakuojate ir montuojate prietaisą. Priešingu atveju galite įsipjauti.

⚠ Elektros ir dujų jungtys turi atitikti vietos reglamentus.

⚠ Įrengimą, taip pat prijungimo prie vandentiekio bei elektros tinklo darbus bei remontą turi atlikti kvalifikuotas technikas. Prietaisą remontuoti ar jo dalis keisti galima tik tuo atveju, jei tai nurodyta naudotojo vadove. Pasirūpinkite,

kad įrengimo vietoje nebūtų vaikų. Išpakavę prietaisą, patikrinkite, ar jis nebuvo pažeistas pervežant. Jei kyla problemų, kreipkitės į prekybos atstovą arba artimiausią techninės priežiūros centrą. Įrengus prietaisą, pakuotes medžiagas (plastiką, polistireno dalis ir pan.) būtina laikyti vaikams nepasiekiamoje vietoje – kyla uždusimo pavojus. Prieš vykdant bet kokius įrengimo darbus, prietaisą būtina išjungti iš elektros tinklo – elektros smūgio pavojus. Pasirūpinkite, kad įrengiant prietaisas nepažeistų maitinimo laido – gaisro ar elektros smūgio pavojus. Prietaisą įjungti galima tik baigus įrengimo darbus.

⚠ **ĮSPĖJIMAS.** Labai svarbu tinkamai modifikuoti ir sumontuoti prietaisą, kad jį būtų galima saugiai ir tinkamai naudoti visose papildomose šalyse.

⚠ Naudokite instrukcijoje nurodytam dujų slėgiui tinkamus slėgio reguliatorius.

⚠ Patalpoje turi būti sumontuota oro ištraukimo sistema, kuri pašalintų visus degimo metu išsiskiriančius garus.

⚠ Patalpoje turi būti užtikrinta tinkama oro cirkuliacija, nes oras yra būtinas normaliam degimui. Oro srautas neturi būti mažesnis nei 2 m³/h vienam kW.

⚠ Oro cirkuliacijos sistema gali imti orą tiesiogiai iš lauko; tam gali būti naudojamas vamzdis, kurio vidinis skersmuo yra bent 100 cm²; anga turi būti apsaugota, kad jos niekas neužblokuotų.

⚠ Degimui būtiną orą sistema gali tiekti ir netiesiogiai, t. y. iš gretimų patalpų, kuriose (kaip buvo nurodyta anksčiau) yra sumontuoti oro cirkuliacijos vamzdžiai. Tai negali būti gyvenamieji kambariai, miegamieji arba patalpos, kuriose didelė gaisro grėsmė.

⚠ Suskystintos naftos dujos yra sunkesnės už orą, todėl leidžiasi žemyn prie grindų. Patalpose, kuriose yra LPG talpyklos, turi būti įrengta ventiliacija, kad esant nutekėjimui dujos galėtų išeiti. Dėl šios priežasties LPG talpyklos (pusiau arba visiškai pilnos) negali būti įrengiamos arba laikomos po žeme esančiose patalpose arba sandėliuose (rūsiose ir pan.) Patalpoje rekomenduojame turėti tik tuo metu naudojamą talpyklą ir ji turi būti laikoma atokiau nuo karštų generuojančių šaltinių (orkaičių, židinių, viryklių ir pan.), dėl kurių talpyklos temperatūra galėtų pakilti daugiau nei 50 °C.

Jei sunkiai sukiojasi degiklių rankenėlės, kreipkitės į techninės priežiūros centrą, kad defektų turinti rankenėlė būtų pakeista.

Draudžiama uždengti ventilacijai ir šilumos išleidimui naudojamus angas.

⚠ Spintelės pjovimo darbus atlikite prieš montuodami orkaitę į baldus ir gerai nuvalykite visas medienos drožles bei pjuvenas.

⚠ Jei prietaisas nėra montuojamas virš orkaitės, po prietaisu reikia įstatyti skiriamąją plokštę (nepridedama).

DUJŲ PRIJUNGIMAS

⚠ **ĮSPĖJIMAS:** Prieš pradėdami montavimą įsitikinkite, kad vietinės skirstymo sąlygos (dujų rūšis ir dujų slėgis) ir prietaiso suregulavimai yra suderinami.

⚠ Patikrinkite, ar tiekiamų dujų slėgis atitinka lentelėje „Degiklio ir antgalio techniniai duomenys“ nurodytas reikšmes.

⚠ **ĮSPĖJIMAS:** Šio prietaiso reguliavimo sąlygos nurodomos etiketėje (arba duomenų lentelėje).

⚠ **ĮSPĖJIMAS:** Šis prietaisas neprijungtas prie dūmų ištraukimo įrenginio. Jis turi būti montuojamas ir prijungiamas laikantis galiojančių montavimo reikalavimų. Atkreipkite ypatingą dėmesį į reikalavimus, susijusius su vėdinimu.

⚠ Jei prietaisas jungiamas prie suskystintų dujų, reguliavimo varžtas turi būti užveržtas kuo tvirčiau.

⚠ **SVARBU.** Įdedamas dujų cilindras ar dujų balionas turi būti tinkamai įstatytas (vertikaliajoje padėtyje).

⚠ **ĮSPĖJIMAS.** Šią procedūrą turi atlikti kvalifikuotas specialistas.

⚠ Naudokite tik dujų jungtims skirtas lankščias arba kietas metalines žarnas.

⚠ Prijungimas prie kieto vamzdelio (varinio arba plieninio) Prijungimas prie dujų sistemos turi būti atliktas taip, kad jokia prietaiso dalis nepatirtų apkrovos.

Prietaisas pristatomas su reguliuojamu L formos vamzdžio detale, kuri naudojama kaip sandariklis, apsaugantis nuo nutekėjimo. Pasukus vamzdžio detalę, būtina visada pakeisti sandariklį (sandariklis pateikiamas kartu su prietaisu). Dujų tiekimo vamzdžio detalė – srieginis 1/2 dujų talpyklos cilindrinis priedas.

⚠ Lankstaus vientiso nerūdijančio plieno vamzdelio prijungimas prie srieginio priedo. Dujų tiekimo vamzdžio detalė – srieginis 1/2 dujų talpyklos cilindrinis priedas.

⚠ Šie vamzdžiai turi būti prijungti taip, kad juos ištiesus jie nebūtų ilgesni nei 2000 mm. Prijungę patikrinkite, ar lankstus metalinis vamzdis nesiliečia su jokiais judančiomis dalimis ir nėra suspaustas. Naudokite tik vietinių įstatymų reikalavimus atitinkančius vamzdžius ir sandariklius.

⚠ **SVARBU.** Jei naudojama nerūdijančiojo plieno žarna, ją reikia sumontuoti taip, kad ji nesiliestų prie jokios judančios baldo dalies (pvz., stalčiaus). Ji turi būti nutiesta taip, kad nebūtų kliūčių ir, kiek įmanoma, būtų galima priėti patikrinti ją per visą ilgį.

⚠ Prie pagrindinės dujų tiekimo sistemos arba dujų talpyklos prietaisas turi būti prijungtas taip, kaip tai numatoma vietiniuose įstatymų reikalavimuose. Prieš prijungdami įsitikinkite, ar prietaisas yra suderinamas su norima naudoti dujų tiekimo sistema. Jei ne, vadovaukitės nurodymais, kurie pateikiami skyriuje „Pritaikymas įvairių tipų dujoms“.

⚠ Po prijungimo prie dujotiekio su muilinu vandeniu patikrinkite, ar nėra nuotėkio. Uždekite degiklį, pasukite rankenėlę iš maksimalios liepsnos padėties 1* į minimalios liepsnos padėtį 2* ir patikrinkite liepsnos stabilumą.

PRITAIKYMAS ĮVAIRIŲ TIPŲ DUJOMS

(Šią procedūrą turi atlikti kvalifikuotas specialistas).

⚠ Jei prietaisą reikia pritaikyti kitokioms dujoms, nei jis buvo sukurtas (nurodoma duomenų plokštelėje), atlikite veiksmus, kurie yra nurodyti po montavimo brėžiniais.

ĮSPĖJIMAI DĖL ELEKTROS

⚠ **SVARBU.** Informacija apie srovės ir įtampos sąnaudas pateikiama duomenų lentelėje.

⚠ Prietaisą reikia sumontuoti taip, kad jį būtų galima išjungti iš elektros tinklo ištraukus maitinimo laido kištuką

arba iki elektros lizdo pagal sujungimų taisyklės sumontuotu daugiapoliu jungikliu ir prietaisas turi būti įžemintas pagal nacionalinius elektros saugos standartus.

⚠ Maitinimo laidas turi būti pakankamai ilgas, kad įstaičius į korpusą, jo ilgio pakaktų norint įjungti į elektros lizdą. Netempkite prietaiso maitinimo laido.

⚠ Nenaudokite ilginamųjų laidų, tinklo lizdo skirstytuvų ir adapterių. Prietaisą įrengus, jo elektros komponentai turi būti nepasiekiami naudotojui. Prietaiso nenaudokite, jei jūsų kūnas yra drėgnas arba esate basi. Šio prietaiso nenaudokite, jei pažeistas jo maitinimo laidas arba kištukas, jei prietaisas veikia netinkamai arba jei jis yra pažeistas ar buvo numestas.

⚠ Jei maitinimo laidas pažeistas, jį tokiu pačiu turi pakeisti gamintojas, jo įgaliotas techninės priežiūros darbuotojas ar kitas kvalifikuotas asmuo – taip išvengsite elektros šoko pavojaus.


VALYMAS IR PRIEŽIŪRA

⚠ ĮSPĖJIMAS. Prieš atlikdami bet kokius techninės priežiūros darbus, prietaisą išjunkite ir atjunkite nuo elektros tinklo, kad nekiltų elektros smūgio pavojus; jokių būdu nenaudokite valymo garais įrenginių – kyla elektros smūgio pavojus.

⚠ Nenaudokite abrazyvių arba koroziją sukeliančių medžiagų, chloro valiklių ir metalinių šveistukų keptuvėms.

⚠ Kad nepažeistumėte elektros degimo įtaiso, nenaudokite jo, kai degikliai nėra įstatyti.

PAKAVIMO MEDŽIAGŲ IŠMETIMAS


Pakavimo medžiagos yra 100 % perdirbamos ir pažymėtos perdirbimo simboliu .

Todėl įvairias pakuotės medžiagas reikia išmesti labai atsakingai ir griežtai laikantis vietos institucijų reglamentų, reguliuojančių atliekų išmetimą.

BUITINIŲ PRIETAISŲ ŠALINIMAS

Šis prietaisas pagamintas naudojant perdirbamas arba pakartotinai naudojamas medžiagas. Prietaisą išmeskite paisydami vietos atliekų išmetimo reglamentų. Dėl išsamesnės informacijos apie buitinių elektrinių prietaisų apdorojimą, utilizavimą ir perdirbimą kreipkitės į įgaliotą vietos instituciją, buitinių atliekų surinkimo įmonę arba parduotuvę, kurioje pirkote prietaisą. Šis prietaisas paženklintas pagal Europos direktyvos 2012/19/ES dėl elektros ir elektronikos įrangos atliekų (EEIJA) reikalavimus ir pagal elektros ir elektronikos įrangos atliekų 2013 m. reikalavimus (pataisas).

Tinkamai utilizuodami šį gaminį apsaugosite aplinką ir sveikatą nuo galimo neigiamo poveikio.

Ant prietaiso arba pridedamų dokumentų esantis simbolis  nurodo, kad su šiuo prietaisu negalima elgtis kaip su buitinėmis šiukšlėmis. Jį reikia atiduoti į atitinkamą surinkimo skyrių, kad elektros ir elektronikos įranga būtų perdirbta.

ENERGIJOS TAUPYMO PATARIMAI

Naudokite puodus arba keptuves, kurių dugnai kaitviečių dydžio.

Naudokite tik plokščiadugnius puodus ir keptuves.

Jeigu įmanoma, puodus visada uždenkite dangčiais.

Naudokite greitpuodį ir taupykite energiją ir laiką.

ATITIKTIES DEKLARACIJA

Šis prietaisas atitinka ekologinio projektavimo reikalavimus, numatytus Europos reglamente Nr. 66/2014 ir ekologinio projektavimo reikalavimus su energija susijusiems gaminiams ir energijos informacijos (pataisa) (išėjimas iš ES) 2019 m. reglamentą, vadovaujantis Europos standartu EN 30-2-1.

Informaciją, susijusią su prietaiso mažos galios režimu pagal Reglamentą (ES) 2023/826, rasite paspaudę šią nuorodą: <https://docs.emeaappliance-docs.eu>.

Tipas Duju Naudojamas	Tipo Degikliui	Purkštuko	Nominali Šildymo Galia kW	Nominali Vartojimas	Sumažinta Šilumos Galia kW	Duju slėgis mbar		
						maži.	nomin.	didži.
GAMTINES DUJOS (Metanas) G20	Pusinio greičio (SR)	95 Z	1,65	157 l/h	0,40	17	20	25
	Papildomas (AUX)	72 X	1,00	95 l/h	0,40			
	2 Žiedų (DC)	138 A	3,50	333 l/h	1,65			
SUSKYSTINTOS NAFTOS DUJOS (Butanas) G30	Pusinio greičio (SR)	63	1,65	120 g/h	0,40	20	30	35
	Papildomas (AUX)	50	1,00	73 g/h	0,40			
	2 Žiedų (DC)	91	3,50	254 g/h	1,65			
SUSKYSTINTOS NAFTOS DUJOS (Propanas) G31	Pusinio greičio (SR)	63	1,65	118 g/h	0,40	20	30	35
	Papildomas (AUX)	50	1,00	71 g/h	0,40			
	2 Žiedų (DC)	91	3,50	250 g/h	1,65			

Tipas Duju Naudojamas	Modelis konfigūracija 4 DEGIKLIAI	Nominali Šildymo galia (kW)	Total nominali vartojimas	Reikalingas oras (m ³) duju degimo 1m ³
G20 20 mbar	2SR - 1AUX - 1DC	7,80	743 l/h	9,52
G30 30 mbar	2SR - 1AUX - 1DC	7,80	567 g/h	30,94
G31 30 mbar	2SR - 1AUX - 1DC	7,80	557 g/h	23,80

MAITINIMO ŠALTINIS: 220-240 V ~ 50-60 Hz - 0,6 W

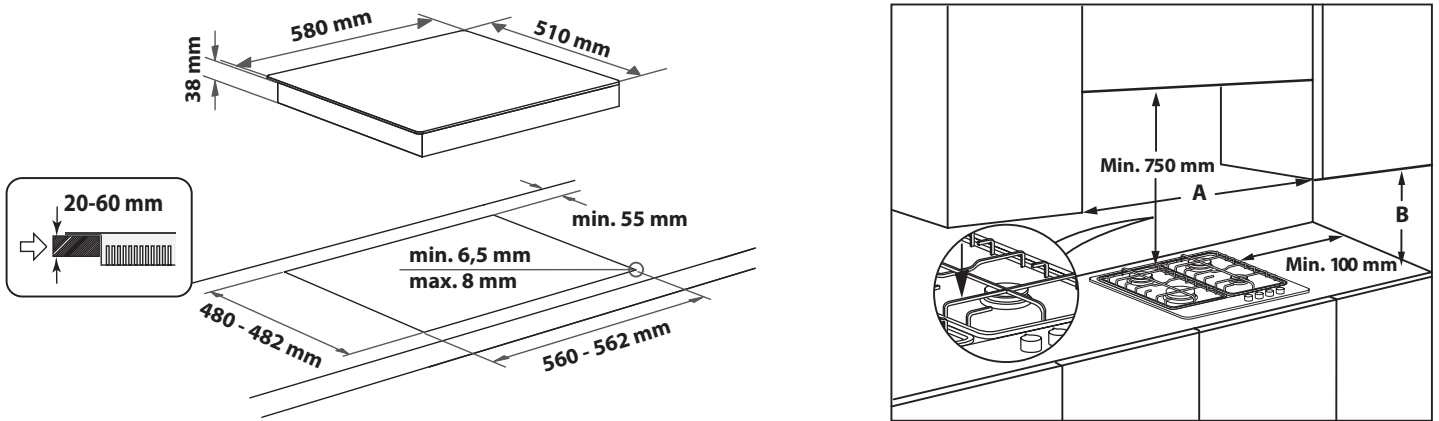


ĮRENGIMAS (3 KLASĖ)

TECHNINĖ INFORMACIJA MONTUOTOJUI

- Naudokite apsaugines pirštines gaminiui tvarkymui, paruošimui ir montavimui.
- Šį gaminį galima įrengti 20–60 mm storio stalviršyje.
- Jei po virykle orkaitės nėra, įkiškite skiriamąją plokštę, kurios paviršiaus plotas būtų bent jau toks pat, kaip ir darbinio paviršiaus angos plotas. Ši plokštė plokštė turi būti ne didesniu negu 150 mm atstumu žemiau viršutinio darbinio paviršiaus, tačiau jokia būdu ne mažesniu negu 20 mm atstumu nuo viryklės viršaus. Jei po virykle planuojate sumontuoti orkaitę, įsitikinkite, kad joje yra įrengta aušinimo sistema.

MATMENYS IR ATSTUMAI, KURIŲ BŪTINA PAISYTI



PASTABA: jei atstumas „A“ tarp sieninių spintelių yra nuo 600mm iki 730 mm, aukštis B turi būti mažiausiai 530 mm. Jei atstumas „A“ tarp sieninių spintelių yra didesnis nei viryklės plotis, aukštis „B“ turi būti mažiausiai 400 mm. Jei virš viryklės montuojamas gartraukis, tinkamų atstumų ieškokite gartraukio instrukcijoje.

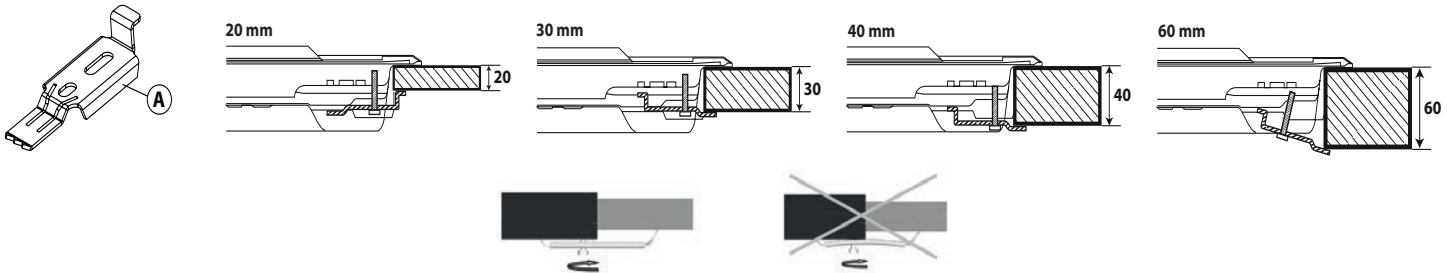
MONTAVIMAS

Nuvalę paviršių, ant viryklės uždėkite pateikiamą tarpiklį, kaip pavaizduota paveikslėlyje.

Viryklę įrenkite stalviršio išpjovoje; išpjova turi būti išpjauta pagal instrukcijoje pateiktus matmenis.

PASTABA: elektros maitinimo kabelis turi būti pakankamai ilgas, kad jį būtų galima traukti aukštyn.

Viryklei sutvirtinti naudokite su ja pateikiamus kronšteinus (A). Kronšteinus sumontuokite atitinkamose angose, kurias nurodo rodyklės, ir juos priveržkite jiems skirtais varžtais atsivėldami į stalviršio storį (žr. toliau pateiktas vertes).

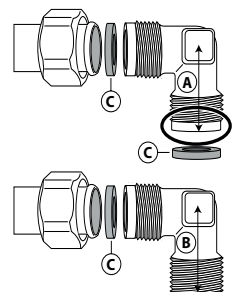


DUJŲ PRIJUNGIMAS

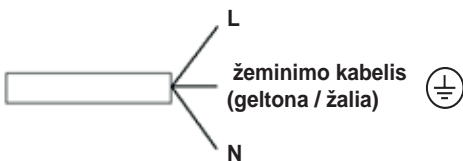
- Pateikiamą alkūnę (A)* arba (B)* prijunkite prie viryklės įleidžiamojo tinklo vamzdžio ir tarp jų naudokite pateikiamą tarpiklį (C) paisydami EN 549 standarto.

* Prancūzijoje naudokite alkūnę (A), o kitose šalyse – alkūnę (B).

- Prijungę dujų tiekimą, naudodami muiluotą vandenį patikrinkite, ar nėra pratekėjimo. Uždekite degiklius ir rankenėles sukite nuo maksimalios padėties iki minimalios padėties kad patikrintumėte liepsnos stabilumą.



ELEKTROS JUNGTYS



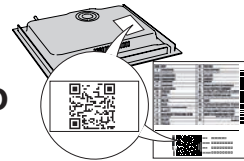


DĖKOJAME, KAD ĮSIGIJOTE HOTPOINT/ARISTON GAMINĮ
Kad galėtumėte tinkamai pasinaudoti pagalba, užregistruokite gaminį svetainėje www.register10.eu.

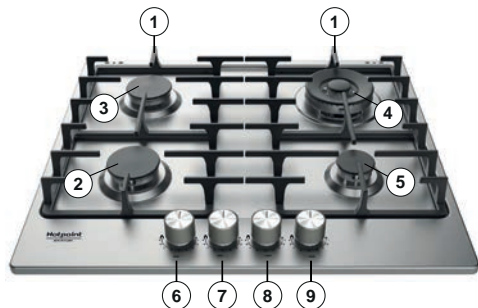


Prieš naudodamiesi prietaisu atidžiai perskaitykite saugos instrukcijas.

**JEIGU REIKIA DAUGIAU
INFORMACIJOS, NUSKAITYKITE
QR KODĄ NAUDODAMIESI SAVO
PRIETAISU**





VALDYMO SKYDELIS



1. Nuimamos grotelės puodams ir keptuvėms
2. Pusinio greičio degiklis
3. Pusinio greičio degiklis
4. 2 žiedų degiklis
5. Papildomas degiklis
6. Pusinio greičio degiklio valdymo rankenėlė
7. Pusinio greičio degiklio valdymo rankenėlė
8. 2 žiedų degiklio valdymo rankenėlė
9. Papildomo degiklio valdymo rankenėlė

Simboliai

- Pritemdytas apskritimas ● Uždarytas čiaupas
- Didžiausia liepsna  Maksimaliai atidaryta/tiekimas ir Elektrinis uždegiklis
- Mažiausia liepsna  Minimaliai atidaryta arba tiekimas ribojamas

KASDIENIS NAUDOJIMAS

KAIP NAUDOTI VIRYKLĘ

 Pasirūpinkite, kad degiklio liepsna nebūtų aukštesnė už prikaistuvio kraštą.

SVARBU: kai viryklė naudojama, gali įkaisti visas viryklės plotas.

- Norėdami uždegti vieną iš degiklių, prieš laikrodžio rodyklę pasukite atitinkamą rankenėlę ir ją nustatykite ties maksimalaus dydžio liepsnos simboliu.
- Degiklis užsidegs šią rankenėlę paspaudus į valdymo skydelį.
- Užsidegus degikliui, rankenėlę palaikykite nuspaudę apytikriai 5–10 sekundžių, kad prietaisas tinkamai veiktų.
- Jei liepsna atsitiktinai užgesta (dėl staigaus skersvėjo, dujų tiekimo pertrūkio, išsiliejusio verdančio skysčio ir pan.), šis apsauginis degiklio įtaisas atjungia dujų tiekimą.
- **Rankenėlės negalima laikyti nuspaudus ilgiau nei 15 sekundžių. Jei šiam laikui pasibaigus degiklis nedega, prieš mėgindami jį uždegti dar kartą palaukite mažiausiai vieną minutę.**

PASTABA: jei dėl konkrečiai vietai būdingų tiekiamų dujų ypatumų degikliai blogai užsidega, rekomenduojama bandyti uždegti rankenėlę nustačius ties mažos liepsnos nuostata.

Rankenėlę atleidus degiklis gali užgesti. Tai reiškia, kad apsauginis įtaisas nepakankamai įšilo. Tokiu atveju pakartokite anksčiau aprašytus veiksmus. Jei liepsna netyčia užgestų, išjunkite degiklį ir prieš degdami pakartotinai palaukite bent 1 minutę.

PRAKTIŠKI PATARIMAI DĖL DEGIKLIŲ NAUDOJIMO

Šios viryklės degiklių diametrai skirtingi. Tam, kad degikliai kuo geriau veiktų, paisykite šių taisyklių:

- Naudokite tokius puodus ir keptuves, kurių dugnas yra tokio paties pločio kaip ir degikliai arba šiek tiek didesnis už juos (žr. dešinėje pusėje esančią lentelę).
- Naudokite tik plokščiadugnius puodus ir keptuves.
- Maistui gaminti naudokite tinkamą kiekį vandens ir puodą uždenkite.
- Žiūrėkite, kad ant grotelių padėti puodai neišsikištų už viryklės krašto.
- Jei prikaistuvių dugnai išgaubti (WOK), naudokite pateikiamas atramines grotelės; jas reikia dėti tik ant 4 žiedų degiklio.
- Saugokitės, kad nesutrenktumėte kaitlentės su kaistuvais, grotelėmis ir kt. virtuvės reikmenimis.
- Nepalikite tuščių kepsniams skirtų grotelių ant uždegto degiklio ilgiau nei 5 minutes.

SVARBU: netinkamai naudojant grotelės, viryklę galima pažeisti: grotelių nedėkite atvirščiai, jų ant viryklės netraukykite.

DEGIKLIS	Ø PUODO
2 Žiedų	Nuo 24 iki 26 cm
Pusinio greičio	Nuo 16 iki 22 cm
Papildomas	Nuo 8 iki 14 cm

Neaudokite:

- ketaus keptuvių, muilo akmenų, terakotos prikaistuvių ir keptuvių;
- šilumos sklaidytuvų, pavyzdžiui, metalinių tinklelių ar kitokio tipo priemonių;
- dviejų degiklių vienam virduliui (pvz., žuvies virduliui).

PRITAIKYMAS ĮVAIRIEMS DUJŲ TIPAMS

 Šį darbą turi atlikti kvalifikuotas technikas.

Jei prietaise ketinama naudoti kito tipo dujas, o ne to tipo, kuris nurodytas duomenų plokštelėje ir informacinėje etiketėje, kuri yra ant viryklės viršaus, pakeiskite purkštukus.

Nuimkite informacinę etiketę ir ją laikykite kartu su instrukcijų knygele.

Naudokite slėgio reguliatorius, kurie tinka instrukcijoje nurodytam dujų slėgiui:

- dujų antgalių pakeitimą turi atlikti techninės priežiūros po pardavimo tarnyba arba kvalifikuotas specialistas;
- dėl antgalių, kurie nepateikiami su prietaisu, užsakymo kreipkitės techninės priežiūros po pardavimo tarnybą;
- sureguliuokite minimalų čiaupų nustatymą.

PASTABA: jei naudojamos skystos naftos dujos (G30/G31), minimalaus dujų tiekimo nustatymo varžtą būtina priveržti kuo stipriau.

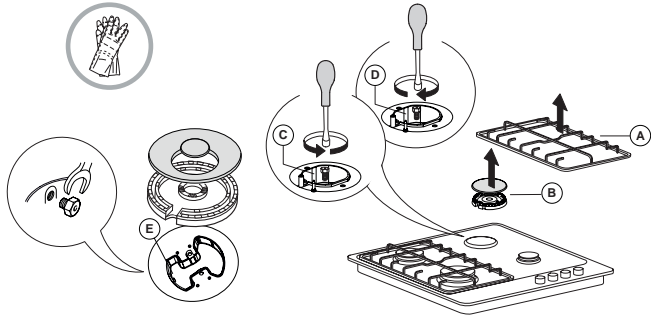
SVARBU: jei sunku pasukti degiklių rankenėles, kreipkitės į techninės priežiūros po pardavimo tarnybą, kad būtų pakeistas degiklio čiaupas (jei nustatoma, kad jis sugedęs).

SVARBU: įdedamas dujų cilindras ar dujų balionas turi būti tinkamai įstatytas (vertikaliaje padėtyje).

PURKŠTUKŲ PAKEITIMAS (žr. Saugos instrukcijų esančią purkštukų lentelę)

⚠ Šį darbą turi atlikti kvalifikuotas technikas.

- Nuimkite groteles (A).
- Ištraukite degiklius (B).
- Tinkamo dydžio lizdiniu veržliarakčiu išsukite purkštuką (C), kurį norite pakeisti.
- Jį pakeiskite purkštuku, tinkančiu naujam dujų tipui.
- Vėl sumontuokite purkštuką (D).
- Jei naudojamas kelių karūnėlių degiklis, naudokite šoninį veržliaraktį purkštukui (E) pakeisti.



Prieš įrengdami viryklę nepamirškite pritvirtinti su purkštukais pateiktos dujų kalibravimo plokštelės; ją pritvirtinkite taip, kad plokštelė uždengtų dabar matomą informaciją apie dujų kalibravimą.

KAIP SUREGULIUOTI ČIAUPŲ MINIMALŲ DUJŲ TIEKIMO NUSTATYMĄ

⚠ Šį darbą turi atlikti kvalifikuotas technikas.

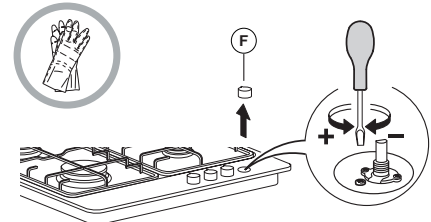
Reguluoti reikia čiaupui esant nustatytam minimalaus dujų tiekimo nustatymo padėtyje (maža liepsna) Δ .

Pirminio degiklių oro reguliuoti nereikia.

Norėdami patikrinti, ar teisingai sureguliuotas minimalus nustatymas, nuimkite rankenėlę (F) ir atlikite tokius veiksmus:

- varžtą priveržkite liepsnos aukščiui sumažinti (-);
- varžtą atveržkite liepsnos aukščiui padidinti (+).

Dabar uždekte degiklius ir rankenėles iš maksimalios padėties Δ pasukite į minimalią padėtį Δ , kad patikrintumėte liepsnos stabilumą.



Baigę reguliuoti, vėl sandarinkite naudodami sandarinimo laką arba tolygią medžiagą.

KEPIMO SĄLYGŲ LENTELĖ

LYGIS	MAISTO RUOŠIMO METODAS / TIPAS (KAM REKOMENDUOJAMAS)	MAISTO GAMINIMO PATARIMAI
1-2	IŠLAIKYTI ŠILTĄ	Puikiai tinka sviestui suminkštinti, šokoladui atsargiai lydyti specialiame inde, nedideliems gabalėliams atitirpinti, rizoto kremui.
	ŠVELNUS MAISTO RUOŠIMAS	
3-4	LĒTAS VIRIMAS	Puikiai tinka lėtai ruošiamam maistui (ryžiams, padažams, mėsai, žuviai) su skysčiais (pvz., vandeniu, vynu, sultiniu, pienu) ir pastai sutirštinti, palaikant lėtą virimą.
	TROŠKINIMAS	
5-6	KEPIMAS	Idealiai tinka skrudinti, daržovėms troškinti, ruošti maistą ilgesnį laiką, priedams iš anksto pašildyti, kremui gaminti.
	KEPIMAS	
7-8	SKRUDINIMAS	Puikiai tinka skrudinimui, kepimo pradžioje, užšaldytiems produktams kepti, greitai skysčiams užvirinti, mėsai ir žuviai ant grotelių kepti, nuolatiniam virimui palaikyti.
	KEPIMAS ANT GROTELIŲ	
9	GREITAS ĮKAITINIMAS	Idealiai tinka, kai greitai padidinti maisto temperatūrą arba sušildyti skysčius (vandenį).

VALYMAS IR PRIEŽIŪRA

⚠ Nuo prietaiso atjunkite elektros maitinimą.

KAIP VALYTI VIRYKLĖS PAVIRŠIŲ

- Visas emaliuotas ir stiklines dalis valykite šiltu vandeniu ir neutraliu tirpalu.
- Kalkingas vanduo arba stipraus poveikio valomosios priemonės ant nerūdijančio plieno paviršių gali palikti dėmių, jei šis paviršius turės ilgalaikį kontaktą su tokiais skysčiais. Išsiliejusį maistą (vandenį, padažą, kavą ir kt.) reikia nuvalyti prieš jam išdžiūvant.
- Valykite šiltu vandeniu ir neutraliu plovikliu, po to nusausinkite minkštu audiniu arba zomša. Priekupusius nešvarumus valykite specialiais valikliais, skirtais valyti nerūdijančio plieno paviršius.

PASTABA: nerūdijantį plieną valykite tik minkštu audiniu arba kempinėle.

- Nenaudokite abrazyvinių ar korozinių medžiagų, chloro pagrindo valiklių ir metalinių šveistukų prikaistuvams valyti.
- Nenaudokite valymo garais prietaisų.
- Nenaudokite degių medžiagų.
- Ant viryklės nepalikite rūgšties arba šarminių medžiagų, pavyzdžiui, acto, garstyčių, druskos, cukraus ar citrinų sulčių.

KAIP VALYTI VIRYKLĖS DALIS

- Stiklines ir emaliuotas detales valykite tik minkštu skudurėliu ar kempine.
- Groteles, degiklio antgalius ir degiklius galima nuimti ir nuvalyti.
- Valykite rankomis, su šiltu vandeniu ir nebraižančiu plovikliu, nuvalykite maisto likučius ir patikrinkite, ar neužsikimšusios degiklių angos.
- Nuskalaukite ir išdžiovinkite.
- **Ketaus groteles galima plauti indaplovėje. Pašalinkite nuo grotelių pridegusius maisto likučius, tada įdėkite groteles į indaplovę ant pačios žemiausios lentynos.**
- Vėl teisingai uždekte degiklius ir antgalius ant jų korpusų.
- Kai uždedate groteles, įsitinkite, kad keptuvės padėklo sritis yra išlygiuota su degikliu.
- Modelius su elektriniais degimo kištukais ir apsauginiu įtaisu reikia atidžiai nuvalyti ties kištuko galu, kad jie veiktų tinkamai. Juos dažnai patikrinkite, prireikus nuvalykite drėgnu skudurėliu. Priekupusį maistą reikia pašalinti su dantų krapštuku ar adata.

PASTABA: kad nepažeistumėte elektros degimo įtaiso, nenaudokite jo, kai degikliai nėra įstatyti.

TRIKČIŲ ŠALINIMAS

Jei viryklė blogai veikia, prieš skambindami techninės priežiūros po pardavimo tarnybai perskaitykite trikčių šalinimo vadovą problemai nustatyti.

1. Degiklis neužsidega arba liepsna netolygi

Patikrinkite:

- ar neatjungtas dujų tiekimas arba elektros maitinimas, ar neužsuktas dujų tiekimo čiaupas;
- ar netuščias dujų balionas (suskytintų dujų);
- ar neužsikimšusios degiklių angos;
- ar neužsiteršęs kištuko galas;
- ar visos degiklių dalys yra teisingoje padėtyje;
- ar arti viryklės nekyla skersvėjai.

2. Degiklis užgęsta

Patikrinkite:

- ar degiklio uždegimo metu rankenėlė laikoma nuspausta pakankamai ilgai, kad suveiktų apsauginis įtaisas;
- ar neužsikimšusios degiklių angos ties termoelementu;
- ar neužsiteršę apsauginio įtaiso galas;
- ar teisingai nustatyta minimalaus dujų tiekimo nuostata (skaitykite atitinkamą skyrių).

3. Indai stovi nestabiliai

Patikrinkite:

- ar puodo dugnas visiškai lygus;
- ar puodas stovi degiklio centre;
- ar nesukeistos grotelės, ar jos pastatytos teisingoje padėtyje.

Jei po aukščiau minėtų patikrinimų problemos nėra išspręstos, kreipkitės į artimiausią techninės priežiūros po pardavimo tarnybą.

TECHNINĖS PRIEŽIŪROS CENTRAS

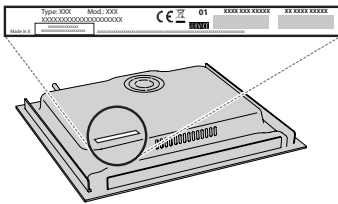
PRIĖŠ KREIPDAMIESI Į TECHNINĖS PRIEŽIŪROS CENTRĄ:

1. Vadovaudamiesi skyriaus **TRIKČIŲ ŠALINIMAS** patarimais pamėginkite problemą pašalinti patys.
2. Prietaisą išjunkite ir vėl įjunkite, kad patikrintumėte, ar triktis nepašalinama.

JEI ATLIKUS ŠIAS PATIKRAS TRIKTIS NEPAŠALINAMA, KREIPKITĖS Į ARTIMIAUSIĄ TECHNINĖS PRIEŽIŪROS CENTRĄ.

Kreipdamiesi į techninės priežiūros centrą visada nurodykite:

- trumpą gedimo aprašymą;
- prietaiso tipą ir tikslų modelį;



- serijos numeris (numeris nurodomas po žodžio SN techninių duomenų plokštelėje). Serijos numeris taip pat yra nurodytas dokumentacijoje;



Mod. **xxx xxx**

Ind.C. **xxxx xxxx xxxx**

SN: **xxxx xxxx xxxx**

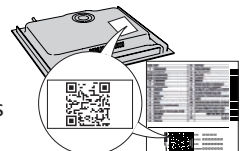
Prod.N. **xxxx xxxx xxxx**

- savo tikslų adresą;
- savo telefono numerį.

Jei reikalingas remontas, kreipkitės į įgaliotą techninės priežiūros centrą (tada turėsite garantiją, jog bus naudojamos originalios atsarginės dalys ir remontas bus atliktas tinkamai).

Politiką, standartinę dokumentaciją ir papildomą informaciją galite rasti atlikdami toliau nurodytus veiksmus:

- Naudodami QR kodą ant jūsų prietaiso;
- Apsilankę mūsų svetainėje **docs.hotpoint.eu**;
- Arba **kreipdamiesi į techninės priežiūros centrą** (žr. telefono numerius garantijos lankstinuke). Kreipiantis į techninės priežiūros centrą būtina pateikti gaminio duomenų plokštelėje nurodytus kodus.



DROŠĪBAS NORĀDĪJUMI

NOTEIKTI JĀIZLASA UN JĀIEVĒRO

⚠ Šie norādījumi ir spēkā, ja uz ierīces redzams valsts simbols. Ja uz ierīces simbola nav, jāapskata tehniskie norādījumi, kuros sniegtas nepieciešamās instrukcijas attiecībā uz ierīces modificēšanu atbilstoši valstī noteiktajiem lietošanas nosacījumiem.

⚠ **UZMANĪBU:** Gāzesierīces ēdienagatavošanai lietošanas rezultātā telpā, kurā tā uzstādīta, rodas siltums, mitrums un degšanas produkti. Nodrošiniet, ka virtuve ierīces lietošanas laikā tiek labi ventilēta: turiet dabiskās ventilācijas atveres atvērtas vai uzstādiet mehāniskās ventilācijas ierīci (mehānisko velkmes ventilatoru). Ilgstoši intensīvi lietojot šo ierīci, var būt nepieciešama papildu ventilācija, piemēram, atverot logu, vai efektīvāka ventilācija, palielinot jaudu mehāniskajai ventilācijai, ja tāda ir.

⚠ Ja netiek ievērota šajā rokasgrāmatā sniegtā informācija, var izcelties ugunsgrēks vai sprādziens, kas var izraisīt bojājumus īpašumam vai miesas bojājumus.

Pirms ierīces lietošanas izlasiet šos drošības norādījumus. Saglabājiet šos norādījumus, lai vēlāk varētu tos pārlasīt.

Šī rokasgrāmata un pati ierīce sniedz svarīgus drošības brīdinājumus, kas ir jāizlasa un vienmēr jāievēro. Ražotājs neuzņemas atbildību par bojājumiem, kas radušies nepiemērotas lietošanas vai nepareizu vadības elementu iestatīšanas dēļ.

⚠ **BRĪDINĀJUMS!** Neizmantojiet ierīci, ja plīts virsma ir saplaisājusī – pastāv strāvas triecienu risks.

⚠ **BRĪDINĀJUMS!** Aizdeģšanās risks: neģlabājiet piederumus uz gatavošanas virsmām.

⚠ **UZMANĪBU!** Gatavošanas process ir jāuzrauga. Neilgs gatavošanas process ir nepārtraukti jāuzrauga.

⚠ **BRĪDINĀJUMS!** Gatavošana uz plīts virsmas bez uzraudzības, izmantojot taukvielas vai eļļu, var būt bīstama – pastāv aizdegšanās risks. **NEKĀDĀ GADĪJUMĀ** nedzēsiet uguni ar ūdeni, bet izslēdziet ierīci un aplājiat liesmu, piemēram, ar vāku vai ugunsdzēsības segu.

⚠ Neizmantojiet plīti kā darbvirsmu vai atbalstu. Neļaujiet ierīcei saskarties ar audumu vai citiem viegli uzliesmojošiem materiāliem, kamēr visas detaļas nav pilnīgi atdzisušas – pastāv aizdegšanās risks.

⚠ Ļoti maziem bērniem (0–3 gadi) jāatrodas drošā attālumā no ierīces. Maziem bērniem (3–8 gadi) jāatrodas drošā attālumā no ierīces, ja vien tie netiek nepārtraukti uzraudzīti. Bērni no 8 gadu vecuma un personas ar fiziskiem, jušanas vai garīgiem traucējumiem vai bez pieredzes un zināšanām var lietot šo ierīci, ja tās tiek uzraudzītas vai instruētas par ierīces drošu lietošanu un izprot ar to saistītos riskus. Bērni nedrīkst spēlēt ar ierīci. Ierīces tīrīšanu un apkopi nedrīkst veikt bērni bez pieaugušo uzraudzības.

⚠ **UZMANĪBU!** Ja saplīst plīts sildvirsmas stikls: nekavējoties izslēdziet visus degļus un visus elektriskos sildelementus, kā arī izolējiet ierīci no barošanas avota; neskarieties pie ierīces virsmas; neizmantojiet ierīci.

Stikla vāks var saplīst, ja tas ir sakarsis. Pirms vāka aizvēršanas izslēdziet visus degļus un elektriskās sildvirsmas. Neaizveriet vāku, kad ir iedegts deglis.

⚠ **BRĪDINĀJUMS!** Lietošanas laikā ierīce un tās atklātās daļas uzkarst. Nepieskarieties sildelementiem. Bērniem līdz 8 gadu vecumam ir jāatrodas drošā attālumā no ierīces, ja vien tie netiek nepārtraukti uzraudzīti.

⚠ Ēdienu nedrīkst atstāt izstrādājumā vai uz tā ilgāk par vienu stundu pirms vai pēc gatavošanas.

ATĻAUTĀ LIETOŠANA

⚠ **UZMANĪBU!** Ierīci nav paredzēts darbināt ar ārēju slēdža ierīci, piemēram, taimeri vai atsevišķu tālvadības sistēmu.

⚠ Šo ierīci ir paredzēts izmantot sadzīvē un tamlīdzīgi, piemēram: personāla virtuves zonās veikalos, birojos un citās darba vidēs; zemnieku saimniecībās; klientu istabās viesnīcās, moteļos, pansijās un citās naktsmītnēs.

⚠ Neizmantojiet to citiem nolūkiem (piemēram, telpu apsildei).

⚠ Šī ierīce nav paredzēta profesionālai lietošanai. Neizmantojiet ierīci ārpus telpām.

⚠ Izmantojiet katlus un pannas, kuru pamatnes platums ir tāds pats kā degļiem vai nedaudz lielāks (skatiet attiecīgo tabulu). Raugieties, lai uz restēm novietotie katli neizvirzītos pāri plīts malai.

⚠ Nepareiza režģu izmantošana var izraisīt plīts bojājumus: nenovietojiet režģus otrādi un nebīdiat tos pāri plītij.

Neļaujiet degļa liesmai pārsniegt pannas malu.

Ja plīts virsma ir no stikla materiāla, neizmantojiet čuguna pannas, akmens pamatnes, terakotas katlus un pannas.

Neizmantojiet: siltuma izkliedētājus, piemēram, metāliskus sietus un citu veidu izstrādājumus; vienlaicīgi divus degļus vienam traukam (piemēram, zivju katlam).

Ja konkrēti piegādātās gāzes vietējie aspekti apgrūtina degļa aizdegšanu, ieteicams atkārtot darbību, pagriežot slēdzi uz iestatījumu ar mazu liesmu.

Ja tvaika nosūcējs ir uzstādīts virs gatavošanas virsmas, lūdzu, skatiet informāciju par piemērotu attālumu tvaika nosūcēja instrukcijās.

Režģu gumijas aizsargelementi rada aizrīšanās risku maziem bērniem. Pēc režģu noņemšanas, lūdzu, pārlicinieties, vai visi aizsargelementi ir pareizi uzstādīti.

MONTĀŽA

⚠ Ierīces pārvietošana un uzstādīšana jāveic vismaz diviem cilvēkiem – pastāv savainojumu risks. Izmantojiet aizsargcimdus visos izsaiņošanas un uzstādīšanas darbos – pastāv sagriešanās risks.

⚠ Elektrības un gāzes savienojumiem ir jāatbilst vietējiem normatīviem.

⚠ Montāžu, tajā skaitā ūdens sistēmas (ja tāda ir) elektrosavienojumu uzstādīšanu, un remontu drīkst veikt tikai kvalificēts tehniķis. Nelabojiet un nemainiet ierīces detaļas, ja vien tas nav tieši norādīts lietotāja rokasgrāmatā. Neļaujiet bērniem būt tuvumā ierīces montāžas vietā. Pēc ierīces izsaiņošanas pārlicinieties, vai pārvadāšanas laikā tā nav bojāta. Problēmu gadījumā sazinieties ar izplatītāju vai tuvāko pēcpārdošanas apkopes centru. Pēc ierīces montāžas novietojiet iepakojuma materiālus (plastmasas un polistirola daļas) bērniem nepieejamā vietā – pastāv nosmakšanas risks. Pirms ierīces uzstādīšanas tai jābūt

atvienotai no elektrotīkla - pastāv strāvas trieciena risks. Uzstādīšanas laikā sekojiet, lai ierīce nesabojātu barošanas kabeli - pastāv aizdegšanās un strāvas trieciena risks. Ieslēdziet ierīci tikai tad, kad montāža ir pabeigta.

⚠ BRĪDINĀJUMS! Ierīces modificēšana un montāžas metode ir ārkārtīgi būtiska, lai droši un pareizi izmantotu šo ierīci visās papildus valstīs.

⚠ Izmantojiet instrukcijā norādītajam gāzes spiedienam piemērotus spiediena regulatorus.

⚠ Telpai jābūt aprīkoti ar gaisa velces sistēmu, kas izvada visus degšanas dūmus.

⚠ Telpā jābūt atbilstoši gaisa cirkulācijai, jo degšanai ir nepieciešams skābeklis. Gaisa plūsmi jābūt ne mazākai par 2 m³/h uz katru uzstādītās jaudas kW.

⚠ Gaisa cirkulācijas sistēma var ņemt gaisu tieši no ārpuses ar cauruli, kuras iekšējais šķēsgriezums ir vismaz 100 cm²; atvērums jābūt nodrošinātam pret jebkāda veida nosprostojumiem.

⚠ Sistēma var netieši nodrošināt degšanai vajadzīgo gaisu, proti, no blakus esošajām telpām, kas aprīkotas ar iepriekš minētajām gaisa cirkulācijas caurulēm. Taču šī telpas nedrīkst būt koplietošanas telpas, guļamistabas vai telpas, kuras rada ugunsgrēka briesmas.

⚠ Sašķidrinātā naftas gāze nogulstas uz grīdas, jo tā ir smagāka par gaisu. Tāpēc telpas, kurās ir sašķidrinātās naftas gāzes baloni, arī jāaprīko ar ventilācijas atverēm, lai ļautu gāzei izplūst, rodoties noplūdei. Tāpēc sašķidrinātās gāzes balonus, gan pustukšus, gan pilnus, neatkarīgi no tā, vai tie atrodas telpās vai uzglabāšanas zonās, kas atrodas zem grīdas līmeņa (pagrabos u.c.). Telpā ieteicams turēt tikai to balonu, kurš pašlaik tiek izmantots, tam jābūt novietotam tā, lai tas nebūtu pakļauts karstuma iedarbībai, ko rada ārēji avoti (krāsnis, kamīni, plītis u.c.), kas varētu paaugstināt balona temperatūru virs 50 °C.

Ja degļu pogu pagriešana ir apgrūtināta, lūdzu, sazinieties ar pēcārdošanas apkopes dienestu par degļa krāna nomainīšanu, ja konstatēts, ka tas ir bojāts. Nekādā gadījumā nedrīkst nosegāt atvērumus, kurus izmanto ventilācijai un karstuma izkļaušanai.

⚠ Uzmanīgi veiciet skapja zāgēšanas darbus pirms ierīces uzstādīšanas vietā un rūpīgi noslaukiet visas koka skaidas un zāgskaidas.

⚠ Ja ierīci neuzstāda virs krāsns, atdalošais panelis (nav iekļauts komplektācijā) jāuzstāda nodalījumā zem ierīces.

GĀZES PIESLĒGUMS

⚠ BRĪDINĀJUMS: Pirms uzstādīšanas pārliecinieties, ka vietējie gāzes piegādes apstākļi (gāzes veids un gāzes spiediens) un ierīces regulējums ir saderīgi.

⚠ Pārbaudiet, vai gāzes padeves spiediens ir saderīgs ar vērtībām, kas norādītas tabulā "Degļa un sprauslas specifiskācija".

⚠ BRĪDINĀJUMS: Šīs ierīces regulēšanas nosacījumi norādīti uz etiķetes (vai datu plāksnītes).

⚠ BRĪDINĀJUMS: Šī ierīce nav savienota ar degšanas produktu nosūkšanas ierīci. Tā ir jāuzstāda un jāpievieno atbilstoši spēkā esošajiem uzstādīšanas noteikumiem. Īpaša uzmanība jāpievērš saistītajām prasībām par ventilāciju.

⚠ Ja ierīcēm pievienota sašķidrinātā gāze, regulēšanas skrūve jāieskrūvē pēc iespējas ciešāk.

⚠ SVARĪGI! Ja tiek izmantots gāzes balons, balons vai gāzes tvertne pareizi jāuzstāda (vertikāli).

⚠ BRĪDINĀJUMS! Šī darbība jāveic kvalificētam tehniskajam speciālistam.

⚠ Gāzes savienojumam izmantojiet tikai elastīgu vai neelastīgu metāla šļūteni.

⚠ Savienojums ar nelokāmu cauruli (vara vai tērauda) Savienojums ar gāzes sistēmu jāizveido tā, lai uz ierīci netiktu izdarīta nekāda slodze. Uz ierīces padeves paliktņa ir pielāgojams L veida caurules savienotājelements, un tas ir aprīkots ar blīvi, lai novērstu noplūdes. Blīvējums vienmēr jānomaina pēc cauruļu savienotājelementa pagriešanas (blīvējums iekļauts ierīces komplektācijā). Gāzes padeves savienotājelements ir 1/2 gāzes stiprinājums ar ārēju vītņi.

⚠ Elastīgas tērauda caurules bez savienotājelementiem pievienošana vītņveida stiprinājumam Gāzes padeves savienotājelements ir 1/2 gāzes stiprinājums ar ārēju vītņi.

⚠ Šīs caurules jāuzstāda tā, lai tās, pilnīgi nostieptas, nebūtu garākas par 2000 mm. Kad savienojums ir izveidots, pārliecinieties, ka elastīgā metāla caurule nepieskaras nekādām kustīgajām daļām un netiek saspiesta. Izmantojiet tikai valsts noteikumiem atbilstošās caurules un blīvējumu.

⚠ SVARĪGI! Izmantojot nerūsējošā tērauda šļūteni, tā jāuzstāda tā, lai neaizskartu nevienu mēbeļu kustīgā daļa (piemēram, atvilktni). Tā jāizvieto zonā, kurā nav šķēršļu un kurā to var pārbaudīt visā garumā.

⚠ Ierīce jāpievieno gāzes padevei vai gāzes balonam atbilstoši aktuālajiem valsts noteikumiem. Pirms veikt savienojumu, pārliecinieties, ka ierīce ir saderīga ar to gāzes padeves veidu, ko vēlaties izmantot. Ja tā nav, rīkojieties atbilstoši instrukcijai, kas norādīta sadaļā "Pielāgošana dažādiem gāzes veidiem".

⚠ Pēc pievienošanas gāzes padevei ar ziepjūdeni pārbaudiet, vai nav noplūžu. Ieddziet degļus un pagrieziet slēdžus no maksimālās pozīcijas 1* līdz minimālajai 2*, lai pārbaudītu liesmas stabilitāti.

PIELĀGOŠANA DAŽĀDIEM GĀZES VEIDIEM

(Šī darbība jāveic kvalificētam tehniskajam speciālistam).

⚠ Lai pielāgotu ierīci gāzes veidam, kas atšķiras no veida, kuram tā tika ražota (norādīts nominālo parametru plāksnītē), veiciet attiecīgās darbības, kas norādītas pēc uzstādīšanas ilustrācijām.

ELEKTRISKIE BRĪDINĀJUMI

⚠ SVARĪGI! Informācija par strāvas un sprieguma patēriņu ir sniegta nominālo parametru plāksnītē.

⚠ Elektrības kabelim jābūt pietiekami garam, lai jau iebūvētu ierīci varētu ērti pievienot elektrotīklam. Nevelciet aiz ierīces elektroapgādes kabeļa.

⚠ Jānodrošina iespēja atvienot ierīci no strāvas padeves, to vienkārši atslēdzot, ja pieejama kontaktdakša, vai ar divpolu slēdzi, kas uzstādīts pirms kontaktlīdždas pēc elektroinstalācijas noteikumiem, un ierīcei jābūt zemētai atbilstoši valsts elektrības drošības standartiem.

⚠ Neizmantojiet pagarinātājus, vairāku spraudņu kontaktlīdždas un adapterus. Pēc ierīces uzstādīšanas tās elektriskie komponenti nedrīkst būt pieejami.

Neizmantojiet ierīci ar mitrām rokām vai basām kājām. Nelietojiet šo ierīci, ja bojāts tās strāvas kabelis vai kontaktdakša, ja tā nedarbojas pareizi, ir bojāta vai tikusi nomesta.

⚠ Ja padeves kabelis ir bojāts, tas jāaizvieto ar identisku, nomaiņa jāveic ražotājam, tā servisa aģentam vai līdzīgas kvalifikācijas personai, lai izvairītos no bīstamības – strāvas trieciena riska.


TĪRĪŠANA UN APKOPE

⚠ **BRĪDINĀJUMS!** Pirms apkopes darbību veikšanas pārliecinieties, vai ierīce ir izslēgta un atvienota no strāvas padeves; nekādā gadījumā nelietojiet tvaika tīrīšanas aprīkojumu – pastāv strāvas trieciena risks.

⚠ Nelietojiet abrazīvus vai kodīgus izstrādājumus, tīrīšanas līdzekļus uz hlora bāzes vai pannu tīrīšanas piederumus.

⚠ Lai nesabojātu elektriskās aizdedzes ierīci, neizmantojiet to, ja degļi neatrodas tiem paredzētajās vietās.

IĒPAKOJUMA MATERIĀLU UTILIZĀCIJA


Iepakojuma materiāls ir 100 % pārstrādājams un tiek apzīmēts ar otrreizējās pārstrādes simbolu .

Tādēļ dažādas iepakojuma daļas jāutilizē atbildīgi un saskaņā ar vietējiem atkritumu apsaimniekošanas noteikumiem.

MĀJSAIMNIECĪBAS IERĪČU UTILIZĀCIJA

Šī ierīce ir izgatavota no pārstrādājamiem un atkārtoti izmantojamiem materiāliem. Utilizējiet to saskaņā ar vietējiem atkritumu apsaimniekošanas noteikumiem. Plašāku informāciju par lietotu mājāsaimniecības ierīču apstrādi, atjaunošanu un pārstrādi varat iegūt vietējās varas iestādes, pie atkritumu savākšanas pakalpojumu sniedzējiem vai veikalā, kur ierīci iegādājāties. Šī ierīce ir marķēta saskaņā ar Eiropas Savienības Direktīvu 2012/19/ES par elektrisko un elektronisko iekārtu atkritumiem (EElA) un saskaņā ar 2013. gada Regulu par elektrisko un elektronisko iekārtu atkritumiem (un tās grozījumiem).

Nodrošinot šīs ierīces pareizu utilizāciju, varat novērst iespējamo negatīvo vides un cilvēka veselības apdraudējumu.

 simbols uz izstrādājuma vai komplektācijā iekļautajiem dokumentiem norāda, ka šo ierīci nevar izmest sadzīves atkritumos, bet tā ir jānodod pārstrādei elektrisko un elektronisko ierīču savākšanas centrā.

IETEIKUMI ENERĢIJAS TAUPIŠANAI

Izmantot katlus un pannas, kuru pamatnes platums ir vienāds ar gatavošanas zonu.

Izmantot tikai katlus un pannas ar plakanām pamatnēm.

Ja iespējams, gatavošanas laikā izmantot katlu vākus.

Izmantojiet ātrvārāmo katlu, lai ietaupītu vēl vairāk enerģijas un laika.

PAZIŅOJUMS PAR ATBILSTĪBAS DEKLARĀCIJU

Šī ierīce atbilst Eiropas Regulas 66/2014 ekodizaina prasībām un 2019. gada noteikumiem saistībā ar ekodizaina prasībām ar enerģiju saistītiem ražojumiem un enerģijas informāciju (grozījums) (ES izvešana) saskaņā ar Eiropas standartu EN 30-2-1.

Informāciju par ierīces mazjaudas režīmu saskaņā ar Regulu (ES) 2023/826 var atrast šajā saitē: <https://docs.emeaappliance-docs.eu>.

Izmantotās gāzes veids	Degļa veids	Inžektora marķējums	Siltuma plūsmas nominālais ātrums kW	Aprēķinātais patēriņš	Samazinātas kapacitātes siltums kW	Gāzes spiediens mbar		
						min.	rat.	max.
DABASGĀZE (Metans) G20	Vidējas intensitātes (SR)	95 Z	1,65	157 l/h	0,40	17	20	25
	Papildu (AUX)	72 X	1,00	95 l/h	0,40			
	2 Riņķu (DC)	138 A	3,50	333 l/h	1,65			
SAŠĶIDRINĀTĀ NAFTAS GĀZE (Butāns) G30	Vidējas intensitātes (SR)	63	1,65	120 g/h	0,40	20	30	35
	Papildu (AUX)	50	1,00	73 g/h	0,40			
	2 Riņķu (DC)	91	3,50	254 g/h	1,65			
SAŠĶIDRINĀTĀ NAFTAS GĀZE (Propāns) G31	Vidējas intensitātes (SR)	63	1,65	118 g/h	0,40	20	30	35
	Papildu (AUX)	50	1,00	71 g/h	0,40			
	2 Riņķu (DC)	91	3,50	250 g/h	1,65			

Izmantotās gāzes veids	Modeļa konfigurācija 4 DEĢĻA	Siltuma plūsmas nominālais ātrums (kW)	Kopējais nominālais patēriņš	Nepieciešamais gaiss (m ³) gāzes degšanai 1 m ³
G20 20 mbar	2SR - 1AUX - 1DC	7,80	743 l/h	9,52
G30 30 mbar	2SR - 1AUX - 1DC	7,80	567 g/h	30,94
G31 30 mbar	2SR - 1AUX - 1DC	7,80	557 g/h	23,80

ELEKTROAPGĀDE: 220-240 V ~ 50-60 Hz - 0,6 W

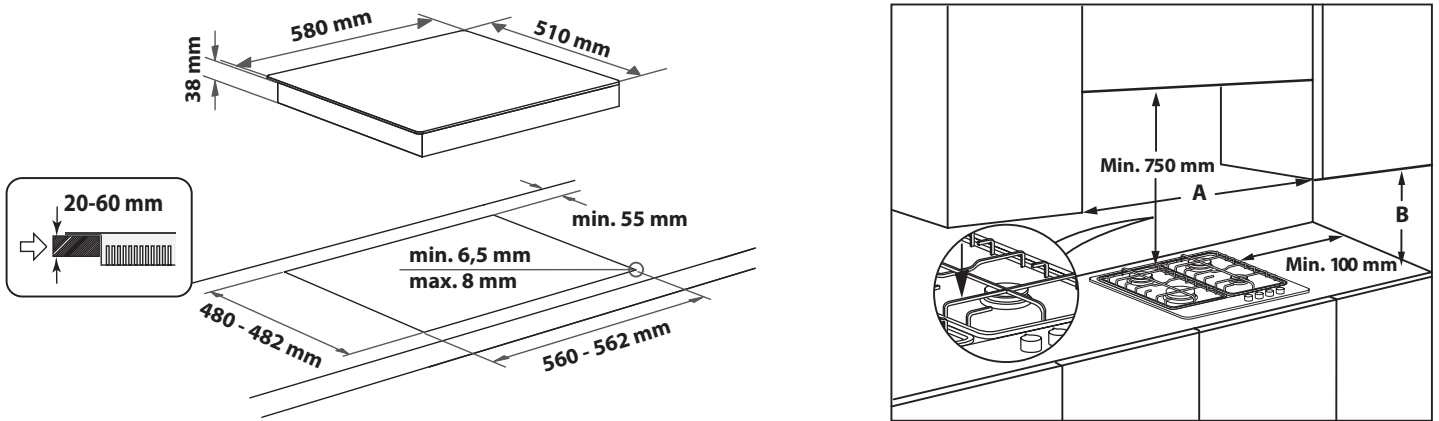


UZSTĀDĪŠANA (3 KLASE)

TEHNISKA INFORMĀCIJA PLĪTS VIRSMAS UZSTĀDĪTĀJAM

- Apkopjot, sagatavojot un uzstādot izstrādājumu, lietojiet aizsargcimdus.
- Šo ierīci var iebūvēt virtuves darbvirsnā, kas ir 20–60 mm bieza.
- Ja zem šīs plīts virsmas nav cepeškrāsns, ievietojiet starppaneli, kura virsma ir vismaz tikpat liela, kā darbvirsmas atvērums. Šis panelis jānovieto ne zemāk par 150 mm no augšējās darbvirsmas, taču ne tuvāk par 20 mm no šīs plīts virsmas apakšējās virsmas. Ja zem plīts virsmas ir plānots uzstādīt cepeškrāsni, tai ir jābūt aprīkotai ar dzesēšanas sistēmu. Ražotājs neuzņemas atbildību, ja zem šīs plīts virsmas tiks uzstādīta cita ražotāja cepeškrāsns.

IZMĒRI UN ATTĀLUMI, KAS JĀIEVĒRO



PIEZĪME: Ja atstatums „A” starp sienas nodalījumiem ir 600 mm un 730 mm, minimālajam augstumam „B” ir jābūt vismaz 530 mm. Ja atstatums „A” starp sienas nodalījumiem pārsniedz plīts virsmas platumu, minimālajam augstumam „B” ir jābūt vismaz 400 mm. Ja virs plīts virsmas tiek uzstādīts pārsegs, lūdzu, skatiet pareizo atstatumu pārsega instrukcijās.

MONTĀŽA

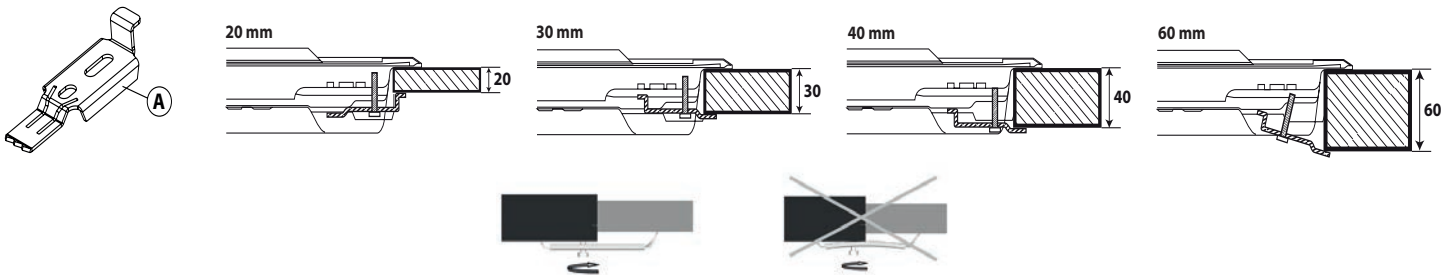
Vispirms notīriet ierīces virsmu un tad pievienojiet tai komplektā iekļauto starpliku, kā parādīts attēlā.

Ievietojiet ierīci darbvirsmas atvērumā, kas izveidota, ņemot vērā norādījumos minētos izmērus.



PIEZĪME: Strāvas kabelim jābūt pietiekami garam, lai to varētu izvilkēt uz augšu.

Plīts virsmas nostiprināšanai izmantojiet komplektācijā iekļautos kronšteinus (A). Ievietojiet kronšteinus attiecīgajās atverēs, kas parādītas ar bultiņu, un nostipriniet tos, izmantojot darbvirsmas biezumam atbilstošas skrūves (skatiet turpmākos skaitļus).

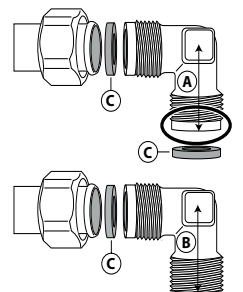


GĀZES PIESLĒGUMS

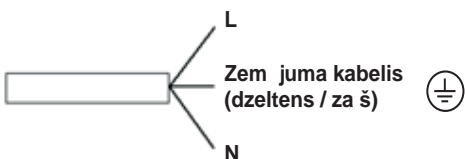
- Pievienojiet plīts virsmas komplektācijā iekļauto likuma elementu (A)* vai (B)* plīts virsmas attiecīgajai ieejai, izmantojot starpliku (C)— atbilstoši standartam EN 549.

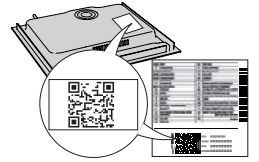
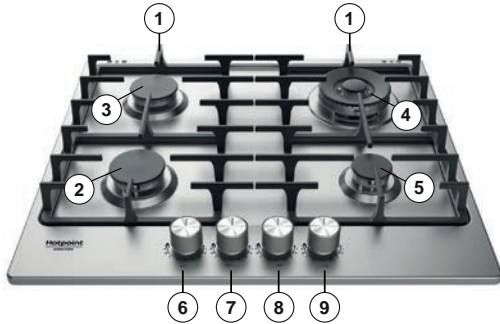
* Izmantojiet likuma elementu (A), ja ierīce jāuzstāda Francijā, un (B)— citās valstīs.

- Kad gāzes pieslēgums paveikts, pārbaudiet, vai tajā nav noplūdes, izmantojot ziepjūdeni. Iedegiet degļus un pagrieziet slēdžus no maksimālās pozīcijas līdz minimālajai, lai pārbaudītu liesmas stabilitāti.



ELEKTRĪBAS PIESLĒGUMS



**PALDIES, KA IEGĀDĀJĀTIES HOTPOINT/ARISTON IZSTRĀDĀJUMU**Lai saņemtu pilnvērtīgu palīdzību, lūdzu, reģistrējiet savu produktu vietnē www.register10.eu.**Pirms ierīces lietošanas rūpīgi izlasiet drošības norādījumus.****LAI IEGŪTU VAIRĀK INFORMĀCIJAS, SKENĒJIET KVADRĀTKODU UZ IERĪCES****IZSTRĀDĀJUMA APRAKSTS**

1. No emami pannu novietošanas režīmi
2. Vidējas intensitātes deglis
3. Vidējas intensitātes deglis
4. 2 riņķu deglis
5. Papildu deglis
6. Vidējas intensitātes degļa vadības poga
7. Vidējas intensitātes degļa vadības poga
8. 2 riņķu degļa vadības poga
9. Papildu degļa vadības poga

Simboli

- | | | |
|------------------|---|----------------------------------------------------|
| Melns aplis | ● | Aizvērts krāns |
| Maksimālā liesma | | Maksimālais atvērums/padeve un Elektriskā aizdedze |
| Minimālā liesma | | Minimālais atvērums vai samazināta pudeve |

IKDIENAS IZMANTOŠANA**KĀ IZMANTOT PLĪTS VIRSMU**

⚠ Neļaujiet degļa liesmai izplatīties aiz pannas malām.

SVARĪGI! Ietījot plīts virsmu, tā visa var sakarst.

- Lai iedegtu degli, pagrieziet atbilstošo regulatoru pretēji pulksteņrādītāju kustības virzienam līdz maksimālas liesmas stāvoklim.
- Piespiediet regulatoru pret vadības paneli, lai aizdedzētu liesmu.
- Pēc degļa aizdegšanas turiet regulatoru nospiestu vēl apmēram 5–10 sekundes, lai nodrošinātu pareizu ierīces darbību.
- Ja liesma nejauši tiek nodzēsta (pēkšņa caurvēja, gāzes piegādes pārtraukuma, vārāmajam šķidrumam pārlīstot trauka malām un tamlīdzīgos gadījumos), degļa drošības ietaise noslēdz gāzes piegādi deglim.
- Regulatoru nedrīkst turēt piespiestu ilgāk par 15 sekundēm. Ja arī pēc tam degli neizdodas aizdedzēt, uzgaidiet vismaz vienu minūti, un tikai tad atkārtoti mēģiniet to iedegēt.**

PIEZĪME. Ja gāzes piegādes apstākļu dēļ ir grūti aizdedzēt degli, ieteicams atkārtot darbību, pagriežot regulatoru līdz mazas liesmas iestatījumam.**Atlaižot regulatoru, liesma var nodzist.** Tas nozīmē, ka drošības ierīce nav pietiekami uzsilusi. Šādā gadījumā atkārtojiet iepriekš minētās darbības.

Ja liesma nejauši izdziest, nogrieziet vadības slēdzi un pagaidiet vismaz vienu minūti, pirms mēģināt to iedegāt atkal.

PRAKTISKI PADOMI DEGLU LIETOŠANĀ

Šai plīts virsmai ir dažāda diametra degļi. Lai panāktu labāku degļu veiktspēju, lūdzu, ievērojot šādus noteikumus:

- Izmantojiet katlus un pannas, kuru apakšējo daļu izmēri ir tādi paši kā degļiem vai nedaudz lielāki (skatiet tabulu pa labi).
- Izmantojiet tikai katlus un pannas ar plakaniem dibieniem.
- Lietojiet tieši tik daudz ūdens, cik nepieciešams ēdiena pagatavošanai, un uzlieciet katlam vāku.
- Pārliecinieties, vai uz režģiem novietotie katli neizvirzās pāri plīts virsmas malai.
- Ja izmantojat pannas ar izliektiem dibieniem (VOK panna), lietojiet komplektācijā iekļautās atbalsta restes, kuras jānovieto tikai uz 4. degļa.
- Uzmanieties, lai pret plīts virsmu nejauši neatsistu pannas, statīvus vai citus virtuves piederumus.
- Neatstājiet tukšas steika restes virs aizdedzināta degļa ilgāk par piecām minūtēm.

SVARĪGI! Nepareiza režģu lietošana var izraisīt plīts virsmas bojājumus: nenovietojiet tos otrādi un nebidiet pāri ierīces virsmai.

DEGLIS	Ø KATLA
2 Riņķu	No 24 līdz 26 cm
Vidējas intensitātes	No 16 līdz 22 cm
Papildu	No 8 līdz 14 cm

Neizmantojiet:

- čuguna trauku paliktnus, apdedzināta māla katlus un pannas;
- karstuma izkliedētājus, piemēram, metāla sietus u.c.;
- divus degļus vienlaikus, lai sildītu vienu trauku (piemēram, zivju pannu).

PIELĀGOŠANA DAŽĀDIEM GĀZES VEIDIEM

⚠ Šo darbu drīkst veikt tikai kvalificēts tehniķis.

Ja plīts virsmai tiks izmantota gāze, kas atšķiras no tās, kuras parametri minēti tehnisko datu plāksnītē un ierīces augšpusē uzstādītajā informācijas uzlīmē, nomainiet sprauslas.

Noņemiet informācijas uzlīmi un saglabājiet to kopā ar norādījumu bukletu.

Izmantojiet spiediena regulatorus, kas piemēroti norādījumos minētajam gāzes spiedienam:

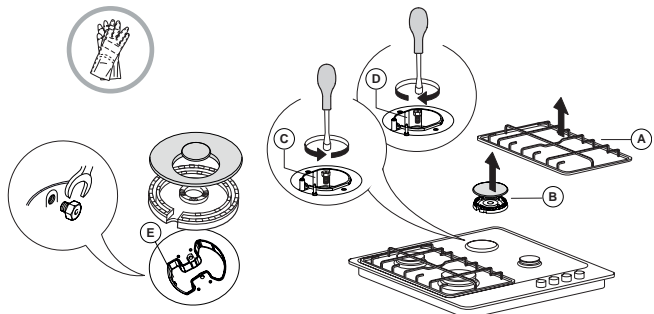
- Sprauslu nomaiņu drīkst veikt tikai klientu apkalpošanas centra darbinieki vai kvalificēts tehniķis.
- Sprauslas, kuras nav iekļautas ierīces komplektācijā, ir jāpasūta klientu apkalpošanas centrā.
- Noregulējiet krāniem minimālo iestatījumu.

PIEZĪME. Ja izmantojat šķidru naftas gāzi (G30/G31), minimālās plūsmas iestatījuma skrūvei ir jābūt pievilkta līdz galam.**SVARĪGI! Ja degļu regulatoru pagriešana ir apgrūtināta, lūdzu, sazinieties ar klientu apkalpošanas centru un pieprasiet nomainīt krānu, ja tas ir bojāts.****SVARĪGI: ja tiek izmantots gāzes balons, balons vai gāzes tvertne pareizi jāuzstāda (vertikāli).**

SPRAUSLU NOMAĪŅA (skatiet Drošības norādījumos minēto sprauslu tabulu)

⚠ Šo darbu drīkst veikt tikai kvalificēts tehniķis.

- Noņemiet režģus (A).
- Izņemiet degļus (B).
- Izmantojot piemērota lieluma galatslēgu, noskrūvējiet sprauslu (C).
- Nomainiet to pret jaunajam gāzes veidam piemērotu sprauslu.
- Uzstādiet atpakaļ sprauslu (D).
- Ja jums ir vairāku elementu degļi, izmantojiet uzgriežņatslēgu, lai uzstādītu sprauslu (E).



Pirms plīts virsmas uzstādīšanas vēl ir jāpiestiprina plāksnīte ar gāzes kalibrācijas parametriem, kas nosedz līdzšinējo gāzes kalibrācijas informāciju.

GATAVOŠANAS TABULA

LĪMENIS	GATAVOŠANAS PAŅĒMIENS/VEIDS (IETEICAMĀIS LIETOJUMS)	GATAVOŠANAS PADOMI
1-2	UZTURĒT SILTU	Funkcija ir ideāli piemērota, lai padarītu sviestu mīkstu, lēnām izkausētu šokolādi, atkausētu nelielas porcijas, veidotu risoto krēmu.
	SAUDZĪGA GATAVOŠANA	
3-4	VĀRĪŠANA UZ LĒNAS UGUNIS	Funkcija ir ideāli piemērota mazākā karstumā gatavojamiem produktiem (rīsi, mērces, cepetis, zivs), izmantojot šķidrumus (piemēram, ūdens, vīns, buljons) un gatavojot pastas ar mērci, uzturot lēnu vārīšanos.
	SAUTĒŠANA	
5-6	CEPŠANA	Funkcija ir ideāli piemērota dārzenu sautēšanai, ilgstošai gatavošanai, virtuves piederumu uzsildīšanai, gatavošanai līdz krēma konsistencei.
	CEPŠANA	
7-8	CEPŠANA AR MAISIŠANU	Funkcija ir ideāli piemērota apbrūnīšanai, gatavošanas sākšanai, straujai šķidrumu uzvārīšanai, sasaldētu produktu cepšanai, gaļas un zivju grilēšanai, spēcīgas vārīšanās uzturēšanai.
	GRILĒŠANA	
9	ĀTRA SAKARSĒŠANA	Funkcija ir ideāli piemērota straujai ēdiena temperatūras paaugstināšanai vai šķidrumu (ūdens) sakarsēšanai.

TĪRĪŠANA UN APKOPE

⚠ Atvienojiet ierīci no elektrotīkla.

PLĪTS VIRSMAS TĪRĪŠANA

- Stikla un emaljētās daļas jātīra ar siltu ūdeni un neitrālu mazgāšanas līdzekli.
- Uz nerūsējoša tērauda virsmām var pakāpeniski parādīties traipi, ko veido kaļķains ūdens un kodīgi tīrīšanas līdzekļi. Noslaukiet izlijušo ūdeni, mērces, kafiju un citus produktus, pirms tie sakalst.
- Nomazgājiet virsmas ar siltu ūdeni un neitrālu mazgāšanas līdzekli un tas nosusiniet tās ar mikstu drānu vai zamšādu. Notīriet piekaltušus netīrumus ar tīrīšanas līdzekļiem, kas paredzēti nerūsējoša tērauda virsmu tīrīšanai.

PIEZĪME. Nerūsējošā tērauda virsmas tīriet tikai ar mikstu drānu vai sūkli.

- Neizmantojiet abrazīvus un koroziju izraisošus līdzekļus, tādus, kas satur hloru, vai pannu skrāpju.
- Neizmantojiet tvaika tīrīšanas ierīces.
- Neizmantojiet viegli uzliesmojošus līdzekļus.
- Uz plīts virsmas nedrīkst palikt skābas vai sārmainas vielas, piemēram, etiķis, sinepes, sāls, cukurs vai citronu sula.

KRĀNU MINIMĀLĀS PLŪSMAS IESTATĪŠANA

⚠ Šo darbu drīkst veikt tikai kvalificēts tehniķis.

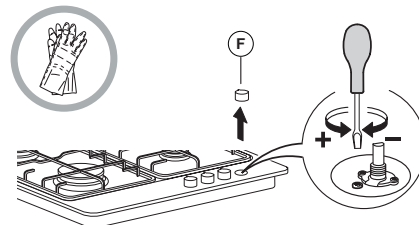
Šo regulēšanu veicot, krānam ir jābūt pagriezītam minimālas gāzes plūsmas stāvoklī (maza liesma) ⚡.

Degļu primārais gaiss nav jāregulē.

Lai pareizi iestatītu minimālo plūsmu, noņemiet regulatoru (F) un rīkojieties šādi:

- pievelciet skrūvi, lai samazinātu liesmas augstumu (-);
- atlaidiet skrūvi, lai palielinātu liesmas augstumu (+).

Iededziet degļus un pagrieziet regulatorus no maksimālās plūsmas stāvokļa ⚡ līdz minimālās liesmas stāvoklim ⚡, lai pārbaudītu liesmas stabilitāti.



Pēc regulēšanas veiciet atkārtotu blīvēšanu ar tam paredzētu vasku vai līdzvērtīgu materiālu.

PLĪTS VIRSMAS SASTĀVDAĻU TĪRĪŠANA

- Tīriet stiklu un emaljētās daļas tikai ar mikstu drānu vai sūkli.
- Režģus, degļu vāciņus un degļus tīrīšanas nolūkos var noņemt.
- Notīriet tos manuāli, izmantojot siltu ūdeni un neabrazīvu tīrīšanas līdzekli, noņemot visus pārtikas pārpalikumus un pārbaudot, vai neviena degļa atvere nav nosprostota.
- Noskalojiet un nosusiniet.
- Čuguna režģus drīkst mazgāt trauku mazgājamajā mašīnā.
- Pirms režģu ievietošanas trauku mazgājamās mašīnas zemākajā statīvā notīriet piedegušās ēdiena paliekas.
- Degļus un to vāciņus uzstādiet atpakaļ pareizi attiecīgajos korpusos.
- Uzliekot atpakaļ režģus, pārlicinieties, vai pannu novietošanas zona ir salāgota ar degļi.
- Modeļiem ar elektriskās aizdedzes spraudņiem un drošības ierīci nepieciešama pamatīga spraudņa gala tīrīšana, lai nodrošinātu pareizu darbību.
- Bieži pārbaudiet šos elementus un pēc nepieciešamības notīriet ar mitru drānu. Piedegusi pārtika jānoņem ar zobu bakstāmā vai adatas palīdzību.

PIEZĪME. Lai nesabojātu elektriskās aizdedzes ierīci, neizmantojiet to, ja degļi neatrodas tiem paredzētajās vietās.

Hotpoint

ARISTON

PROBLĒMU RISINĀŠANA

Ja plīts virsma nedarbojas pareizi, pirms sazināties ar klientu apkalpošanas centru, skatiet problēmu novēršanas pamācību

1. Nevar aizdegt degli vai nevienmērīga liesma

Pārbaudiet, vai:

- nav atslēgta gāzes un elektrības piegāde un, vai ir atgriezts gāzes krāns;
- nav tukšs sašķidrinātās gāzes balons;
- nav aizsērējušas degļu atveres;
- nav netīrs spraudņa gals;
- visas degļa detaļas ir pareizi uzstādītas;
- plīts virsmas tuvumā nav caurvēja

2. Degļa liesma nodziest

Pārbaudiet, vai:

- iediedzot degli, regulators tika nospiests pietiekami ilgi, lai aktivizētos aizsardzības ierīce;
- nav aizsērējušas termoelementa tuvumā esošās degļa atveres;
- nav netīrs drošības ierīces gals;
- ir pareizi iestatīta minimālā gāzes plūsma (skatiet attiecīgo sadaļu).

3. Novietotie trauki ir nestabili

Pārbaudiet, vai:

- trauka apakšpuse ir pilnīgi plakana;
- trauks atrodas degļa centrā;
- režģi nav samainīti vietām un vai tie novietoti pareizi.

Ja pēc iepriekš minētajām pārbaudēm kļūme netiek novērsta, sazinieties ar tuvāko klientu apkalpošanas centru.

PĒCPĀRDOŠANAS SERVISS

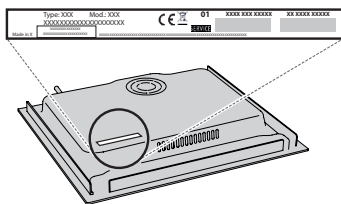
PIRMS SAZINĀTIES AR PĒC-PĀRDOŠANAS APKALPOŠANAS DIENESTU:

1. Mēģiniet atrisināt problēmu saviem spēkiem, izmantojot šeit atrodamo **PROBLĒMU RISINĀŠANA**.
2. Izslēdziet ierīci un ieslēdziet to vēlreiz, lai pārlicinātos, vai problēma ir novērsta.

JA PĒC IEPRIEKŠMINĒTĀJĀM PĀRBAUDĒM PROBLĒMA NAV NOVĒRSTA, SAZINIETIES AR TUVĀKO PĒC-PĀRDOŠANAS APKALPOŠANAS DIENESTU.

Sazinoties ar klientu pēc-pārdošanas apkalpošanas dienestu, vienmēr norādiet:

- īsu kļūmes aprakstu;
- precīzu ierīces veidu un modeli;



- sērijas numurs (skaitlis pēc vārda SN uz tehnisko datu plāksnes zem ierīces). Sērijas numurs ir norādīts arī dokumentācijā;



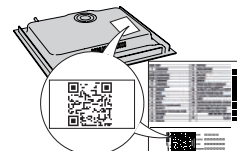
PRODUCT INFORMATION	Mod.	xxx xxx
	Ind.C.	xxxx xxxx xxxx
	SN:	xxxx xxxx xxxx
	Prod.N.	xxxx xxxx xxxx

- savu pilno adresi;
- savu tālruņa numuru.

Ja nepieciešams remonts, lūdzu, sazinieties ar pilnvarotu Pēc-pārdošanas apkopes centru (lai būtu garantija, ka tiek izmantotas tikai oriģinālās rezerves daļas un remonts tiktu veikts pareizi).

Noteikumi, standarta dokumentācija un papildu informācija izstrādājumu ir pieejama:

- Izmantojot QR kodu jūsu iekārtā;
- Apmeklējot mūsu tīmekļa vietni docs.hotpoint.eu;
- Vai arī **sazinieties ar mūsu pēc-pārdošanas apkopes dienestu** (tālruņa numurs norādīts garantijas bukletā). Sazinoties ar mūsu pēc-pārdošanas centru, lūdzu, nosauciet kodus, kas redzami izstrādājuma datu plāksnītē.



INSTRUCȚIUNI PRIVIND SIGURANȚA

IMPORTANT: TREBUIE CITITE ȘI RESPECTATE

⚠ Aceste instrucțiuni sunt valabile numai dacă simbolul țării în care este utilizat aparatul este prezent pe acesta. Dacă simbolul corespunzător nu este prezent pe acesta, este necesar să consultați instrucțiunile tehnice, deoarece acestea conțin instrucțiunile necesare privind modificarea aparatului în funcție de condițiile de utilizare specifice țării respective.

⚠ **ATENȚIE:** Utilizarea unui aparat de gătit cu funcționare pe gaz are ca rezultat generarea de căldură, umiditate și produși combustibili în încăperea în care acesta este instalat. Asigurați-vă că bucătăria este bine ventilată, mai ales atunci când aparatul este în funcțiune: mențineți deschise orificiile de aerisire sau instalați un dispozitiv de ventilare mecanică (hotă cu extracție mecanică). Utilizarea intensivă și îndelungată a aparatului ar putea impune necesitatea unei ventilări suplimentare, de exemplu, deschiderea ferestrei sau o modalitate mai eficientă de ventilare, prin creșterea nivelului de ventilare mecanică atunci când este cazul.

⚠ Nerespectarea cu exactitate a instrucțiunilor din acest manual poate duce la incendiu sau explozie, care se soldează cu pagube materiale sau vătămări corporale.

Înainte de a utiliza aparatul, citiți aceste instrucțiuni privind siguranță. Păstrați-le la îndemână pentru a le putea consulta și pe viitor.

Aceste instrucțiuni și aparatul în sine furnizează avertismente importante privind siguranță, care trebuie respectate întotdeauna. Producătorul nu își asumă nicio răspundere pentru nerespectarea acestor instrucțiuni de siguranță, pentru utilizarea necorespunzătoare a aparatului sau pentru setarea incorectă a butoanelor de comandă.

⚠ **AVERTISMENT:** Aparatul și părțile sale accesibile se înfierbântă în timpul utilizării. Trebuie evitată atingerea elementelor fierbinți. Copiii cu vârste mai mici de 8 ani nu trebuie lăsați să se apropie de aparat, cu excepția cazurilor în care sunt supravegheați în permanentă.

⚠ **AVERTISMENT:** Dacă suprafața plitei este crăpată, nu folosiți aparatul – risc de electrocutare.

⚠ **AVERTISMENT:** Pericol de incendiu: Nu depozitați obiecte pe zonele de gătit.

⚠ **ATENȚIE:** Procesul de preparare trebuie să fie supravegheat. Un proces de preparare care durează puțin trebuie să fie supravegheat în permanentă.

⚠ **AVERTISMENT:** Prepararea la plită cu grăsime sau ulei poate fi periculoasă - risc de incendiu. Nu încercați NICIODATĂ să stingeți un incendiu folosind apă: trebuie să opriți aparatul și apoi trebuie să acoperiți flacăra, de exemplu cu un capac sau cu o pătură ignifugă.

⚠ Nu utilizați plita ca suprafață de lucru sau suport. Nu amplasați articole vestimentare sau alte materiale inflamabile lângă aparat până când nu s-au răcit complet toate componentele acestuia - pericol de incendiu.

⚠ Nu lăsați aparatul la îndemâna copiilor foarte mici (0-3 ani). Nu lăsați aparatul la îndemâna copiilor mici (3-8 ani)

decât dacă sunt supravegheați în permanentă. Copiii cu vârsta de peste 8 ani și persoanele cu capacități fizice, senzoriale sau mintale reduse sau fără experiență și cunoștințe pot folosi acest aparat doar dacă sunt supravegheate sau au fost instruite cu privire la utilizarea în siguranță și înțeleg riscurile implicate. Copiii nu trebuie să se joace cu aparatul. Curățarea și întreținerea nu trebuie să fie efectuate de către copii fără a fi supravegheați.

⚠ **ATENȚIE:** În cazul spargerii sticlei plitei: închideți imediat toate arzătoarele și toate rezistențele electrice și deconectați aparatul de la sursa de alimentare; nu atingeți suprafața aparatului; nu utilizați aparatul.

Capacul din sticlă se poate sparge dacă este încălzit excesiv. Opriți toate arzătoarele și plăcile electrice înainte de a închide capacul. Nu închideți capacul dacă arzătorul este aprins.

⚠ Alimentele nu trebuie lăsate în interiorul sau deasupra produsului mai mult de o oră înainte sau după preparare.

UTILIZAREA PERMISĂ

⚠ **ATENȚIE:** aparatul nu trebuie să fie pus în funcțiune prin intermediul unui comutator extern, precum un temporizator, sau al unui sistem de comandă la distanță separat.

⚠ Acest aparat este proiectat pentru a fi utilizat în locuințe, precum și în alte spații similare, precum: bucătării destinate personalului din magazine, birouri și alte spații de lucru; ferme; de către clienții din hoteluri, moteluri, unități de cazare de tip "Bed and breakfast" și alte spații rezidențiale.

⚠ Orice altă utilizare este interzisă (de ex. încălzirea încăperilor).

⚠ Acest aparat nu este destinat utilizării în scop profesional. Nu utilizați aparatul în aer liber.

⚠ Utilizați oale și cratițe cu diametrul bazei egal sau puțin mai mare decât diametrul arzătoarelor (consultați tabelul specific). Aveți grijă ca vasele de gătit așezate pe grătare să nu iasă în afara marginilor plitei.

⚠ Utilizarea necorespunzătoare a grătarelor poate duce la deteriorarea plitei: nu așezați grătarele cu susul în jos și nu le târați pe suprafața plitei.

Aveți grijă ca flacăra arzătorului să nu se extindă dincolo de marginea vasului. Dacă suprafața plitei este fabricată din sticlă, nu utilizați tigăi din fontă, plăci de piatră pentru gătit, oale și cratițe din teracotă.

Nu utilizați: Difuzoare de căldură, de tipul plaselor metalice sau de alte tipuri. Două arzătoare în același timp pentru un singur vas (de ex. o tavă de gătit pește).

În cazul în care condițiile locale specifice de distribuire a gazelor fac ca aprinderea arzătorului să fie dificilă, este indicat să repetați operația cu butonul rotit la poziția pentru flacăra mică.

În cazul instalării unei hote deasupra plitei, consultați instrucțiunile care însoțesc hota pentru a identifica distanțele corecte de montare.

Piciorușele de protecție din cauciuc de sub grătare ar putea fi înghițite de copii, reprezentând astfel un pericol de sufocare. După îndepărtarea grătarelor, vă rugăm să vă asigurați că toate piciorușele sunt montate corect.

INSTALAREA

⚠ Manevrarea și instalarea aparatului trebuie să fie efectuate de două sau mai multe persoane - risc de rănire. Folosiți mănuși de protecție la despachetare și instalare - risc de tăiere.

⚠ Conexiunile electrice și racordurile pentru gaz trebuie să fie efectuate în conformitate cu normele locale.

⚠ Instalarea, inclusiv racordarea la rețeaua de alimentare cu apă (dacă este necesară) și la rețeaua de alimentare cu energie electrică, precum și reparațiile trebuie efectuate de un tehnician calificat. Nu reparați și nu înlocuiți nicio piesă a aparatului, dacă acest lucru nu este indicat în mod expres în manualul de utilizare. Nu lăsați copiii în apropierea zonei de instalare. După despachetarea aparatului, asigurați-vă că acesta nu a fost deteriorat în timpul transportului. Dacă apar probleme, contactați distribuitorul sau cel mai apropiat serviciu de asistență tehnică post-vânzare. Odată instalat aparatul, deșeurile de ambalaje (bucăți de plastic, polistiren etc.) nu trebuie lăsate la îndemâna copiilor - risc de asfixiere. Înainte de orice operație de instalare, aparatul trebuie să fie deconectat de la rețeaua de alimentare cu energie electrică - risc de electrocutare. În timpul instalării, aveți grijă ca aparatul să nu deterioreze cablul de alimentare - risc de incendiu sau de electrocutare. Activați aparatul numai atunci când instalarea a fost finalizată.

⚠ **AVERTISMENT:** Modificarea aparatului și a metodei de instalare a acestuia sunt esențiale în vederea utilizării corecte și în siguranță a aparatului în toate țările ale căror simboluri nu sunt specificate pe acesta.

⚠ Folosiți regulatoare de presiune potrivite pentru presiunea gazului precizată în instrucțiuni.

⚠ Încăperea trebuie să fie prevăzută cu un sistem de extracție a aerului care să elimine din incintă gazele combustibile.

⚠ De asemenea, în încăperea trebuie să fie permisă circulația liberă a aerului, deoarece acesta este absolut necesar pentru o ardere normală. Debitul de aer nu trebuie să fie de sub 2 m³/h per kW de putere instalată.

⚠ Sistemul de circulație a aerului poate extrage aerul direct din exterior prin intermediul unei conducte cu o secțiune transversală internă de cel puțin 100 cm²; deschiderea nu trebuie să fie blocată.

⚠ De asemenea, acest sistem poate asigura indirect aerul necesar pentru ardere, adică din încăperile adiacente prevăzute cu conducte de circulație a aerului, conform descrierii anterioare. Totuși, aceste încăperi nu trebuie să fie camere de zi, dormitoare sau să comporte riscul de izbucnire a unui incendiu.

⚠ Gazul petrolier lichefiat cade pe planșeu deoarece are o greutate mai mare decât cea a aerului. Astfel, încăperile în care se află buteliile de GPL trebuie să fie de asemenea prevăzute cu orificii de aerisire pentru a se permite eliminarea gazului în cazul scurgerii acestuia. În consecință, buteliile de GPL, încărcate parțial sau complet, nu trebuie să fie instalate sau depozitate în încăperi sau spații de depozitare aflate sub nivelul solului (pivnițe etc.). Este recomandat ca în încăperea să fie depozitată numai butelia utilizată, aceasta fiind poziționată într-un loc ferit de căldura produsă de sursele externe (cuptoare, șemineuri, sobe etc.) care ar putea determina creșterea temperaturii buteliei la o valoare de peste 50 °C.

Dacă întâmpinați dificultăți când rotiți butoanele arzătoarelor, vă rugăm să contactați Serviciul de asistență tehnică post-vânzare în vederea înlocuirii robinetului arzătorului dacă acesta este defect.

Deschiderile destinate ventilării și dispersiei căldurii nu trebuie să fie niciodată acoperite.

⚠ Executați toate operațiunile de decupare a mobilei înainte de a încorpora aparatul și înlăturați cu grijă toate așchiile din lemn și rumegușul.

⚠ În cazul în care aparatul nu este montat deasupra unui cuptor, trebuie să fie instalat un panou despărțitor (neinclus în dotarea aparatului) în compartimentul de sub acesta.

RACORDAREA LA GAZ

⚠ **AVERTISMENT:** Înainte de instalare, asigurați-vă că condițiile de distribuție de la nivel local (tipul de gaz și presiunea gazului) sunt compatibile cu configurația aparatului.

⚠ Verificați dacă presiunea de alimentare cu gaz este conformă cu valorile specificate în tabelul „Specificații privind arzătorul și duza”.

⚠ **AVERTISMENT:** Valorile de reglare a aparatului sunt specificate pe etichetă (sau pe plăcuța cu date tehnice).

⚠ **AVERTISMENT:** Acest aparat nu este conectat la un dispozitiv de evacuare a produselor de ardere. Dispozitivul trebuie să fie instalat și conectat în conformitate cu normele în vigoare privind instalarea. Trebuie să se acorde o atenție deosebită cerințelor relevante privind ventilația.

⚠ Dacă aparatul este racordat la o sursă de alimentare cu gaz lichefiat, șurubul de reglare trebuie să fie strâns cât mai mult posibil.

⚠ **IMPORTANT:** Când se folosește alimentarea cu gaz de la butelie, butelia sau recipientul de gaz trebuie să fie așezate în mod adecvat (orientare verticală).

⚠ **AVERTISMENT:** Această operație trebuie să fie efectuată de un tehnician calificat.

⚠ Folosiți numai furtunuri metalice flexibile sau rigide pentru racordul de gaz.

⚠ Racord rigid (din cupru sau oțel) Racordul la sistemul de alimentare cu gaz trebuie să fie efectuat astfel încât să nu se exercite presiuni asupra aparatului. Pe rampa de alimentare a aparatului este prezent un racord în forma literei L reglabil, care este prevăzut cu o garnitură ce previne scurgerile. Garnitura trebuie să fie înlocuită întotdeauna după rotirea racordului (garnitura este livrată împreună cu aparatul). Racordul conductei de alimentare cu gaz este un racord 1/2 cilindric filetat de tip tată.

⚠ Racordarea unei țevi din oțel inoxidabil flexibile și fără sudură la un racord filetat Racordul conductei de alimentare cu gaz este un racord 1/2 cilindric filetat de tip tată. Țevile trebuie să fie instalate astfel încât să nu aibă niciodată o lungime mai mare de 2000 mm atunci când sunt complet extinse. Odată ce a fost realizată racordarea, asigurați-vă că țeavă metalică flexibilă nu intră în contact cu nicio componentă mobilă și că nu este presată. Utilizați numai țevi și garnituri care sunt conforme cu normele naționale.

⚠ **IMPORTANT:** Dacă se utilizează un furtun din oțel inoxidabil, acesta trebuie instalat astfel încât să nu atingă nicio componentă mobilă a mobilierului (de exemplu, un sertar). Acesta trebuie să treacă printr-o zonă în care nu

există obstacole și care să permită examinarea furtunului pe toată lungimea sa.

⚠ Aparatul trebuie să fie racordat la rețeaua de alimentare cu gaz sau la butelia de gaz în conformitate cu normele naționale. Înainte de a efectua racordarea, asigurați-vă că aparatul este compatibil cu tipul de gaz pe care doriți să îl utilizați. Dacă nu există compatibilitate, urmați instrucțiunile de la paragraful "Adaptarea pentru diferite tipuri de gaz".

⚠ După racordarea la alimentarea cu gaz, verificați etanșeitatea folosind apă cu săpun. Aprindeți arzătoarele și rotiți butoanele de la poziția de maxim 1* la poziția de minim 2* pentru a verifica stabilitatea flăcării.

ADAPTAREA PENTRU DIFERITE TIPURI DE GAZ

(Această operațiune trebuie efectuată de un tehnician calificat).

⚠ Pentru a adapta aparatul la un alt tip de gaz decât cel pentru care a fost fabricat acesta (indicat pe plăcuța cu date tehnice), urmați pașii corespunzători, indicați după desenele aferente instalării.

AVERTISMENTE PRIVIND ALIMENTAREA CU ENERGIE ELECTRICĂ

⚠ **IMPORTANT:** Informațiile despre consumul de curent și tensiune sunt furnizate pe plăcuța cu date tehnice.

⚠ Aparatul trebuie să poată fi deconectat de la rețeaua electrică fie prin scoaterea ștecherului din priză (dacă ștecherul este accesibil), fie prin intermediul unui întrerupător multipolar situat în amonte de priză, în conformitate cu normele privind cablurile electrice, iar aparatul trebuie să fie împământat, în conformitate cu standardele naționale privind siguranța electrică.

⚠ Cablul de alimentare trebuie să fie suficient de lung pentru a putea conecta aparatul la rețeaua de alimentare cu energie electrică, după ce a fost încastrat în mobilă. Nu trageți de cablul de alimentare.

⚠ Nu utilizați prelungitoare, prize multiple sau adaptoare. După finalizarea instalării, componentele electrice nu trebuie să mai fie accesibile pentru utilizator. Nu utilizați aparatul dacă aveți părți ale corpului umede sau când sunteți desculți. Nu puneți în funcțiune acest aparat dacă are cablul de alimentare sau ștecherul deteriorat, dacă nu funcționează corespunzător sau dacă a fost deteriorat sau a căzut pe jos.

⚠ Dacă este deteriorat cablul de alimentare, acesta trebuie înlocuit cu unul identic de către producător, agentul de service sau de o persoană calificată similară, pentru a se evita pericolele - pericol de electrocutare.

CURĂȚAREA ȘI ÎNTREȚINEREA

⚠ **AVERTISMENT:** Asigurați-vă că aparatul este oprit și deconectat de la rețeaua de alimentare electrică înainte de a efectua orice operație de întreținere; nu folosiți niciodată aparate de curățare cu aburi-risc de electrocutare.

⚠ Nu utilizați produse abrazive sau corozive, produse pe bază de clor sau bureți de sârmă pentru vase.

⚠ Pentru a evita deteriorarea dispozitivului de aprindere electrică, nu-l folosiți atunci când arzătoarele nu sunt în locașurile lor.

ELIMINAREA AMBALAJULUI

Ambalajul este reciclabil în proporție de 100% și este marcat cu simbolul reciclării




Prin urmare, diferitele părți ale ambalajului trebuie eliminate în mod corespunzător și în conformitate cu normele stabilite de autoritățile locale privind eliminarea deșeurilor.

ELIMINAREA APARATELOR ELECTROCASNICE

Acest aparat este fabricat cu materiale reciclabile sau reutilizabile. Eliminați-l în conformitate cu normele locale referitoare la eliminarea deșeurilor. Pentru informații suplimentare referitoare la tratarea, valorificarea și reciclarea aparatelor electrocasnice, contactați autoritățile locale competente, serviciul de colectare a deșeurilor menajere sau magazinul de unde ați achiziționat aparatul. Acest aparat este marcat în conformitate cu Directiva europeană 2012/19/UE privind deșeurile de echipamente electrice și electronice (DEEE) și cu reglementările din 2013 privind deșeurile de echipamente electrice și electronice (astfel cum au fost modificate).

Asigurându-vă că acest produs este eliminat în mod corect, contribuiți la prevenirea consecințelor negative asupra mediului înconjurător și sănătății persoanelor.

Simbolul  de pe produs sau de pe documentele care îl însoțesc indică faptul că acest aparat nu trebuie eliminat ca deșeu menajer, ci trebuie predat la un centru de colectare corespunzător, pentru reciclarea echipamentelor electrice și electronice.

RECOMANDĂRI PRIVIND ECONOMISIREA ENERGIEI

Utilizați oale și cratițe cu diametrul bazei egal cu cel al zonei de gătit.

Utilizați numai oale și cratițe cu baza plată.

Când gătiți, pe cât posibil, lăsați oalele acoperite cu capacul.

Utilizați o oală sub presiune pentru a reduce și mai mult consumul de energie și durata de preparare.

DECLARAȚIE DE CONFORMITATE

Acest aparat îndeplinește Cerințele de proiectare ecologică prevăzute de Regulamentul european nr. 66/2014, precum și Regulamentele din 2019 (leșire UE) (Amendamentul) privind informațiile energetice și proiectarea ecologică aplicabilă produselor cu impact energetic, în conformitate cu Standardul european EN 30-2-1. Informațiile referitoare la modul de consum redus de energie al aparatului în conformitate cu Regulamentul (UE) 2023/826 pot fi consultate accesând următorul link: <https://docs.emeaappliance-docs.eu>.

Tip de gaz utiliza	Tip de arzător	Marcaj injector	Capacitate termică nominală kW	Consum nomina	Capacitate termică redusă kW	Presiune gaz mbar		
						min.	nom.	max.
GAZE NATURALE (Metan) G20	Semi-rapid (SR)	95 Z	1,65	157 l/h	0,40	17	20	25
	Auxiliar (AUX)	72 X	1,00	95 l/h	0,40			
	2 inele de ardere (DC)	138 A	3,50	333 l/h	1,65			
GAZ PETROLIER LICHEFIAT (Butan) G30	Semi-rapid (SR)	63	1,65	120 g/h	0,40	20	30	35
	Auxiliar (AUX)	50	1,00	73 g/h	0,40			
	2 inele de ardere (DC)	91	3,50	254 g/h	1,65			
GAZ PETROLIER LICHEFIAT (Propan) G31	Semi-rapid (SR)	63	1,65	118 g/h	0,40	20	30	35
	Auxiliar (AUX)	50	1,00	71 g/h	0,40			
	2 inele de ardere (DC)	91	3,50	250 g/h	1,65			

Tip de gaz utiliza	Configurație model 4 ARZĂTOARE	Capacitate termică nominală (kW)	Consum total nominal	Aer necesar (m ³) pentru a arde 1m ³ de gaz
G20 20 mbar	2SR - 1AUX - 1DC	7,80	743 l/h	9,52
G30 30 mbar	2SR - 1AUX - 1DC	7,80	567 g/h	30,94
G31 30 mbar	2SR - 1AUX - 1DC	7,80	557 g/h	23,80

ALIMENTAREA CU ELECTRICITATE: 220-240 V ~ 50-60 Hz - 0,6 W

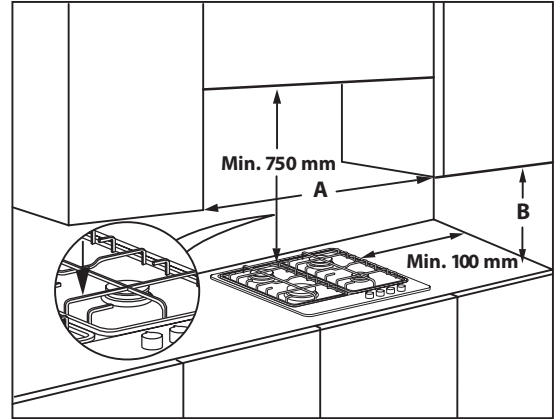
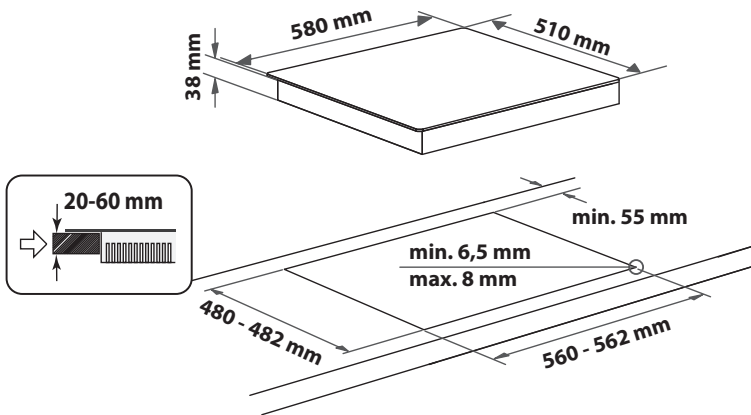


INSTALAREA (CLASA 3)

INFORMAȚII TEHNICE PENTRU INSTALATOR

- Folosiți mănuși de protecție pentru manevrarea, pregătirea și instalarea produsului.
- Acest produs poate fi încadrat într-un blat de lucru cu o grosime de 20 până la 60 mm.
- Dacă nu există un cuptor dedesubtul plitei, introduceți un panou separator cu o suprafață cel puțin egală cu deschiderea din blatul de lucru. Acest panou trebuie poziționat la o distanță maximă de 150 mm sub partea superioară a blatului de lucru, dar în niciun caz la mai puțin de 20 mm de partea inferioară a plitei. Dacă doriți să instalați un cuptor sub plită, asigurați-vă că acesta este echipat cu un sistem de răcire.

DIMENSIUNI ȘI DISTANȚE DE RESPECTAT



NOTĂ: dacă distanța "A" dintre dulapurile suspendate este între 600 mm și 730 mm, înălțimea "B" trebuie să fie de cel puțin 530 mm. Dacă distanța "A" dintre dulapurile suspendate este mai mare decât lățimea suprafeței de gătit, înălțimea "B" trebuie să fie de cel puțin 400 mm. În cazul instalării unei hote deasupra plitei, respectați instrucțiunile cu distanțele corecte de montare a hotei.

MONTAREA

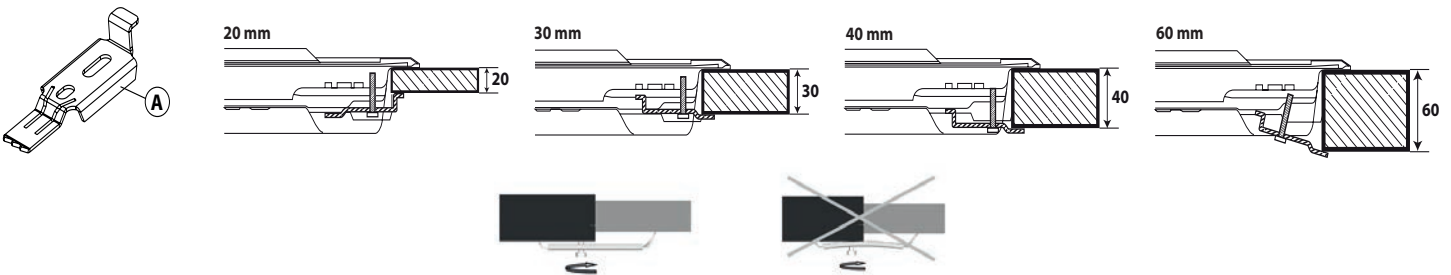
După ce ați curățat suprafața marginilor, aplicați pe plită garnitura furnizată, așa cum se arată în figură.

Poziționați plita în deschiderea practică în blatul de lucru, respectând dimensiunile indicate în Instrucțiuni.



NOTĂ: cablul de alimentare trebuie să fie suficient de lung pentru a permite ca plita să poată fi scoasă prin partea de sus.

Pentru a fixa plita, folosiți consolele (A) livrate împreună cu aceasta. Potrivii consolele în găurile corespunzătoare indicate de săgeată și strângeți-le prin intermediul șuruburilor, în funcție de grosimea blatului de lucru (consultați figurile următoare).

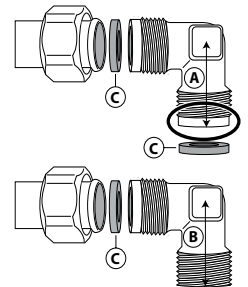


RACORDAREA LA GAZ

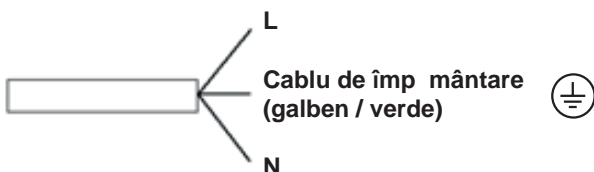
- Racordați cotul (A)* sau (B)* (incluse în pachet) la țeava principală de alimentare a plitei și intercalați șaiba (C) (inclusă în pachet), în conformitate cu standardul EN 549.

* Folosiți cotul (A) pentru Franța și cotul (B) pentru toate celelalte țări.

- După racordarea la alimentarea cu gaz, verificați etanșeitățile folosind apă cu săpun. Aprindeți arzătoarele și rotiți butoanele de la poziția de maxim la poziția de minim pentru a verifica stabilitatea flăcării.



CONECTARE ELECTRICA





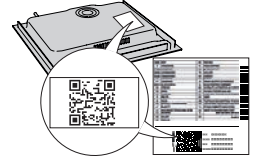
VĂ MULȚUMIM CĂ AȚI ACHIZIȚIONAT UN PRODUS HOTPOINT/ARISTON

Pentru a beneficia de servicii complete de asistență, vă rugăm să vă înregistrați produsul pe www.register10.eu.



Înainte de a utiliza aparatul, citiți cu atenție instrucțiunile privind siguranța.

SCANAȚI CODUL QR DE PE APARATUL DUMNEAVOASTRĂ PENTRU A OBȚINE MAI MULTE INFORMAȚII



DESCRIEREA PRODUSULUI



- Grătare detaabile
- Arzător semi-rapid
- Arzător semi-rapid
- Arzător cu 2 inele de ardere
- Arzător auxiliar
- Buton de comandă pentru arzătorul semi-rapid
- Buton de comandă pentru arzătorul semi-rapid
- Buton de comandă pentru arzătorul cu 2 inele de ardere
- Buton de comandă pentru arzătorul auxiliar

Simboluri

- Cerc de culoare închisă ● Robinet închis
- Flacără mare ☹ Deschidere maximă/debit maxim și aprindere electrică
- Flacără mică ☹ Deschidere minimă sau debit redus

UTILIZAREA ZILNICĂ

UTILIZAREA PLITEI

⚠ Aveți grijă ca flacăra arzătorului să nu se extindă dincolo de marginea vasului.

IMPORTANT: când plita este în uz, întreaga zonă a plitei se poate înfierbânta.

- Pentru a aprinde un arzător, rotiți butonul corespunzător în sens anti-orar până când ajunge în poziția pentru flacără maximă.
- Apăsați butonul spre panoul de comandă pentru a aprinde arzătorul.
- După aprinderea arzătorului, continuați să țineți apăsat butonul timp de aproximativ 5-10 secunde pentru a permite funcționarea corectă a dispozitivului.
- Acest dispozitiv de siguranță cu care este prevăzut arzătorul va întrerupe alimentarea cu gaz a arzătorului în cazul în care flacăra se stinge accidental (din cauza unor curenți de aer, a întreruperii furnizării gazelor, a vărsării de lichide etc.).
- Butonul nu trebuie ținut apăsat mai mult de 15 sec. Dacă după trecerea acestui interval arzătorul nu rămâne aprins, așteptați cel puțin un minut înainte de a încerca să-l aprindeți din nou.

NOTĂ: în cazul în care condițiile locale specifice de distribuire a gazelor fac ca aprinderea arzătorului să fie dificilă, este indicat să repetați operația cu butonul rotit la poziția pentru flacără mică.

Arzătorul se poate stinge când butonul este eliberat. Acest lucru înseamnă că dispozitivul de siguranță nu s-a încălzit suficient. În această situație, repetați operațiile descrise mai sus.

Dacă flacăra arzătorului se stinge accidental, opriți comanda arzătorului și nu încercați să o aprindeți timp de cel puțin 1 minut.

SFATURI PRACTICE PENTRU UTILIZAREA ARZĂTOARELOR

Această plită are arzătoare cu diametre diferite. Pentru a obține rezultate optime la folosirea arzătoarelor, vă rugăm să urmați aceste reguli:

- utilizați oale și cratițe cu diametrul bazei egal sau puțin mai mare decât diametrul arzătoarelor (consultați tabelul din dreapta);
- utilizați numai oale și cratițe cu baza plată;
- folosiți cantitatea corectă de apă când gătiți alimentele și țineți oala acoperită;
- aveți grijă ca vasele de gătit așezate pe grătare să nu iasă în afara marginilor plitei;
- în cazul vaselor cu bază convexă (wok), folosiți grătarul-suport care nu este furnizat împreună cu plita, care trebuie plasat numai pe arzătorul cu inele de ardere multiple;
- evitați ciocnirile accidentale cu cratițe, grile sau alte echipamente de bucătărie;
- nu lăsați grătare goale pe focul aprins pentru mai mult de 5 minute.

IMPORTANT: utilizarea necorespunzătoare a grătarelor poate duce la deteriorarea plitei: nu așezați grătarele cu susul în jos și nu le târați pe suprafața plitei.

ARZĂTOR	Ø OALĂ
2 inele de ardere	De la 24 la 26 cm
Semi-rapid	De la 16 la 22 cm
Auxiliar	De la 8 la 14 cm

Nu utilizați:

- Tigăi din fontă, plăci de piatră pentru gătit, oale sau cratițe din teracotă.
- Difuzoare de căldură, de tipul plaselor metalice sau de alte tipuri.
- Două arzătoare în același timp pentru un singur vas (de ex. o oală de fiert pește).

ADAPTAREA PENTRU DIFERITE TIPURI DE GAZ

⚠ Această operație trebuie să fie efectuată de un tehnician calificat.

Dacă aparatul trebuie să funcționeze cu un tip de gaz diferit de cel indicat pe plăcuța cu date tehnice și pe eticheta informativă de pe partea superioară a plitei, schimbați injectoarele. Înlăturați eticheta informativă și păstrați-o împreună cu manualul de instrucțiuni.

Folosiți regulatoare de presiune potrivite pentru presiunea gazului indicată în Instrucțiuni.

- Injectorul de gaz trebuie schimbat de Serviciul de asistență tehnică sau de un tehnician calificat.
- Injectorul care nu este furnizat împreună cu aparatul trebuie comandat de la Serviciul de asistență tehnică.
- Reglați poziția de minim a robinetelor.

NOTĂ: când se folosește gaz petrolier lichiefiat (G30/G31), șurubul pentru reglarea debitului minim de gaz trebuie strâns cât de mult posibil.

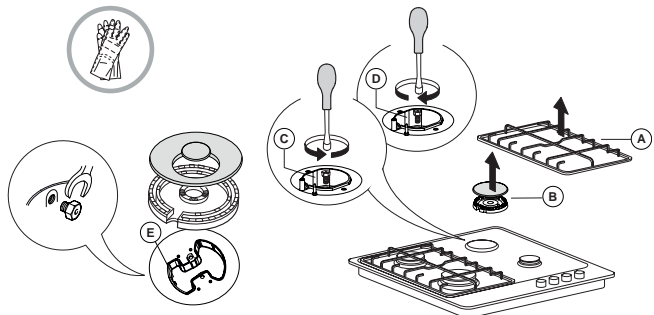
IMPORTANT: dacă aveți dificultăți când rotiți butoanele arzătoarelor, vă rugăm să contactați Serviciul de asistență tehnică pentru înlocuirea robinetului arzătorului, dacă se constată că este defect.

IMPORTANT: când se folosește alimentarea cu gaz de la butelie, butelia sau recipientul de gaz trebuie să fie așezate în mod adecvat (orientare verticală).

ÎNLOCUIREA INJECTOARELOR (consultați tabelul de injectoare din Instrucțiuni privind siguranța)

⚠ Această operație trebuie să fie efectuată de un tehnician calificat.

- Scoateți grătarele (A).
- Extrageți arzătoarele (B).
- Folosind o cheie tubulară de dimensiuni corespunzătoare, deșurubați injectorul (C) care trebuie înlocuit.
- Înlocuiți-l cu injectorul potrivit pentru noul tip de gaz.
- Montați la loc injectorul în (D).
- Dacă aveți un arzător cu coroană multiplă, folosiți o cheie pentru a înlocui injectorul (E).



Înainte de a instala plita, nu uitați să montați plăcuța cu datele privind calibrarea gazului, livrată împreună cu injectoarele, astfel încât să acopere informațiile existente referitoare la calibrarea gazului.

REGLAREA POZIȚIEI DE MINIM A ROBINETELOR

⚠ Această operație trebuie să fie efectuată de un tehnician calificat.

Reglajul trebuie efectuat cu robinetul în poziția de minim de gaz (flacără mică) ⚡.

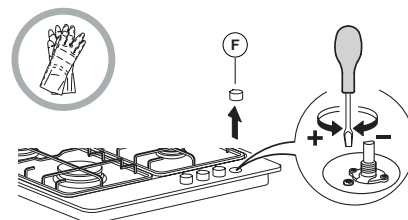
Aerul primar al arzătoarelor nu trebuie să fie reglat.

Pentru a vă asigura că poziția de minim este corect reglată, scoateți butonul (F) și procedați după cum urmează:

- strângeți șurubul pentru a reduce înălțimea flăcării (-);
- slăbiți șurubul pentru a mări înălțimea flăcării (+).

După aceasta, aprindeți arzătoarele și rotiți butoanele de la poziția de maxim

⚡ la poziția de minim ⚡ pentru a verifica stabilitatea flăcării.



După terminarea operației de reglare, resigilați folosind ceară sau un material echivalent.

TABELUL DE GĂTIRE

NIVEL	METODĂ/TIP DE PREPARARE (RECOMANDAT PENTRU)	CÂTEVA SFATURI PENTRU GĂTIT
1-2	MENȚINERE LA CALD	Ideală pentru a înmuia untul, topirea delicată a ciocolatei în bain marie, decongelarea unei porții mici de alimente, obținerea unei texturi cremoase pentru rizoto.
	PREPARARE DELICATĂ	
3-4	FIERBERE LA FOC MIC	Ideală pentru rețete cu durată lungă de preparare (orez, sosuri, friptură, pește) cu lichide (apă, vin, bulion) și pentru obținerea unei texturi cremoase a pastelor, menținând fierberea la foc mic.
	FIERBERE ÎNĂBUȘITĂ	
5-6	FRIGERE	Ideală pentru a sota, a fierbe înăbușit legume, a găti pe perioade mai lungi de timp, a preîncălzi accesorii, a obține o textură cremoasă a alimentelor.
	PRĂJIRE	
7-8	PRĂJIRE LA FOC IUTE	Ideală pentru a rumeni, a căli, a fierbe rapid lichidele, a prăji produse congelate, a frige grătar carne și pește, a menține fierberea.
	FRIGERE LA GRĂTAR	
9	ÎNCĂLZIRE RAPIDĂ	Ideală pentru creșterea rapidă a temperaturii alimentelor sau pentru încălzirea lichidelor apă).

CURĂȚAREA ȘI ÎNTREȚINEREA

⚠ Deconectați de la electricitate înainte de a efectua orice operație de întreținere.

CURĂȚAREA SUPRAFEȚEI PLITEI

- Toate piesele emailate și de sticlă trebuie curățate cu o soluție de apă caldă și detergent neutru.
- Suprafețele din oțel inoxidabil se pot păta din cauza apei calcaroase sau a detergentilor agresivi, dacă rămân în contact cu acestea prea mult timp. Resturile de mâncare căzute pe suprafață (apă, sos, cafea etc.) trebuie șterse înainte de a se usca.
- Curățați cu apă caldă și detergent neutru, apoi uscați cu o cârpă moale sau cu piele de câprioară. Îndepărtați resturile arse de mâncare cu ajutorul unor produse de curățare speciale pentru suprafețe din oțel inoxidabil.

NOTĂ: curățați oțelul inoxidabil numai cu o cârpă sau un burete moale.

- Nu utilizați produse abrazive sau corozive, produse pe bază de clor sau bureți de sârmă pentru vase.
- Nu utilizați aparate de curățat cu aburi.
- Nu folosiți produse inflamabile.
- Nu lăsați pe plită substanțe acide sau alcaline, cum ar fi oțet, muștar, sare, zahăr sau suc de lămâie.

CURĂȚAREA COMPONENTELOR PLITEI

- Curățați sticla și piesele emailate numai cu o cârpă sau un burete moale.
- Grătarele, capacele arzătoarelor și arzătoarele pot fi scoase pentru a fi curățate.
- Curățați-le manual, cu apă caldă și detergent neabraziv, înlăturând cu grijă toate resturile de mâncare și verificând ca niciun orificiu al arzătorului să nu fie înfundat.
- Clătiți și uscați.
- **Grătarele din fontă pot fi curățate în mașina de spălat vase. Eliminați toate resturile alimentare arse înainte de a introduce grătarele în cel mai de jos coș al mașinii de spălat vase.**
- Puneți la loc arzătoarele și capacele arzătoarelor, în mod corect, în locașurile respective.
- Când puneți la loc grătarele, asigurați-vă că zona pe care se așează oalele este aliniată cu arzătorul.
- Modelele echipate cu fișe pentru aprindere electrică și cu dispozitiv de siguranță necesită o curățare atentă a capătului fișei pentru a asigura funcționarea corectă. Verificați frecvent aceste piese și, dacă este necesar, curățați-le cu o cârpă umedă. Resturile arse de mâncare trebuie îndepărtate cu o scobitoare sau cu un ac.

NOTĂ: pentru a evita deteriorarea dispozitivului de aprindere electrică, nu-l folosiți atunci când arzătoarele nu sunt în locașurile lor.

Hotpoint

ARISTON

REMEDIEREA DEFECȚIUNILOR

Dacă plita nu funcționează corect, înainte de a apela la Serviciul de asistență tehnică, consultați Ghidul de remediere a defecțiunilor pentru a stabili care este problema.

1. Arzătorul nu se aprinde sau flacăra nu este uniformă

Verificați următoarele:

- Alimentarea electrică sau cu gaz să nu fie oprită și, mai ales, robinetul de alimentare cu gaz să fie deschis.
- Butelia de gaz (gaz lichid) să nu fie goală.
- Orificiile arzătorului să nu fie înfundate.
- Capătul fișei să nu fie murdar.
- Toate piesele arzătorului să fie poziționate corect.
- Să nu existe curenți de aer în apropierea plitei.

2. Arzătorul nu rămâne aprins

Verificați următoarele:

- La aprinderea arzătorului, butonul să fie ținut apăsat destul timp, astfel încât să se activeze dispozitivul de protecție.
- Orificiile arzătorului să nu fie înfundate lângă termocuplu.
- Capătul dispozitivului de siguranță să nu fie murdar.
- Reglarea debitului minim de gaz să fie corectă (consultați paragraful respectiv).

3. Recipientele nu sunt stabile

Verificați următoarele:

- Fundul recipientului să fie perfect plat.
- Recipientul să fie centrat pe arzător.
- Grătarele să nu fie schimbate între ele sau poziționate incorect.

Dacă problema persistă și după verificările de mai sus, luați legătura cu cel mai apropiat Serviciu de asistență tehnică.

SERVICIUL DE ASISTENȚĂ TEHNICĂ POST-VÂNZARE

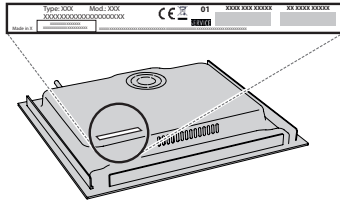
ÎNAINTEDEA CONTACTA SERVICIUL DE ASISTENȚĂ TEHNICĂ POSTVÂNZARE:

1. Încercați să rezolvați singuri problema, cu ajutorul recomandărilor din **GHIDUL DE REMEDIERE A DEFECȚIUNILOR**.
2. Opriți și puneți din nou în funcțiune aparatul pentru a verifica dacă defecțiunea persistă.

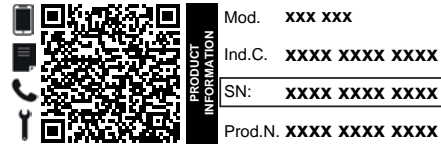
DACĂ PROBLEMA PERSISTĂ CHIAR ȘI DUPĂ CONTROALELE MENȚIONATE, CONTACTAȚI CEL MAI APROPIAT SERVICIU DE ASISTENȚĂ TEHNICĂ POST-VÂNZARE.

Atunci când contactați serviciul de asistență tehnică post-vânzare, specificați întotdeauna:

- o scurtă descriere a defecțiunii;
- tipul și modelul exact al aparatului;



- numărul de serie (numărul de după cuvântul SN de pe plăcuța cu date tehnice, amplasată sub aparat). De asemenea, numărul de serie este indicat în documentație;

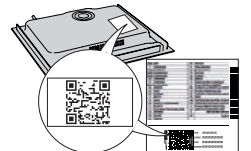


- adresa dumneavoastră completă;
- numărul dumneavoastră de telefon

Dacă sunt necesare orice fel de reparații, vă rugăm să contactați un serviciu de asistență tehnică post-vânzare autorizat (pentru a avea garanția că se folosesc piese de schimb originale și că reparațiile vor fi executate corect).

Politicele, documentația standard și informații suplimentare despre produs pot fi găsite:

- Utilizând codul QR de pe aparat;
- Vizitând site-ul nostru web **docs.hotpoint.eu**;
- Ca alternativă, **contactați serviciul nostru de asistență tehnică post-vânzare** (Consultați numărul de telefon din certificatul de garanție). Când contactați serviciul nostru de asistență tehnică post-vânzare, vă rugăm să precizați codurile specificate pe plăcuța cu date de identificare a produsului dumneavoastră.



⚠ Ці інструкції дійсні, якщо символ відповідної країни вказаний на приладі. Якщо на приладі немає символу відповідної країни, слід звернутися до технічних інструкцій, де є необхідні вказівки щодо змін, які слід виконати на приладі, щоб він був адаптований до умов використання в цій країні.

⚠ **ОБЕРЕЖНО:** Під час використання газової плити в приміщенні, де вона встановлена, виділяються тепло, волога і продукти згоряння. Слід подбати про добру вентиляцію кухні, головним чином на час використання приладу: залишайте відкритими отвори для природної вентиляції або встановіть пристрій для примусової вентиляції (витяжку з примусовою вентиляцією). Під час тривалого інтенсивного використання приладу може знадобитися додаткова вентиляція, наприклад, може виникнути потреба відкрити вікно, або ж доведеться перемкнутися витяжку (за наявності) на вищий рівень потужності.

⚠ Недотримання рекомендацій, зазначених у цьому посібнику, може призвести до займання або вибуху з подальшими матеріальними збитками або травмами. Перед використанням приладу прочитайте ці інструкції з техніки безпеки. Збережіть їх для подальшого використання.

У цих інструкціях та на самому приладі містяться важливі попередження про небезпеку, які слід завжди виконувати. Виробник не несе жодної відповідальності за недотримання цих інструкцій з техніки безпеки, за неналежне використання приладу або неправильне налаштування елементів управління.

⚠ **ПОПЕРЕДЖЕННЯ:** Якщо варильна поверхня тріснула, не користуйтеся приладом – існує ризик ураження електричним струмом.

⚠ **ПОПЕРЕДЖЕННЯ:** Щоб уникнути пожежі: не зберігайте жодних предметів на поверхнях для приготування.

⚠ **ОБЕРЕЖНО:** за процесом готування слід наглядати. За короткочасним процесом готування слід наглядати постійно.

⚠ **ПОПЕРЕДЖЕННЯ:** Необережне приготування їжі із вмістом жиру або олії на варильній панелі може бути небезпечним - це може призвести до виникнення пожежі. НІКОЛИ не намагайтеся загасити вогонь водою. Вимкніть прилад і накрийте чимось вогонь, наприклад кришкою або протипожежною ковдрою.

⚠ Не використовуйте варильну панель як робочу поверхню або як підставку. Не кладіть одяг або інші легкозаймисті матеріали поблизу приладу, доки повністю не охолонуть всі його компоненти – існує ризик виникнення пожежі.

⚠ Не дозволяйте маленьким дітям (до 3 років) підходити надто близько до приладу. Не дозволяйте маленьким дітям (від 3 до 8 років) підходити надто близько до приладу без постійного нагляду. До користування приладом допускаються діти віком від 8 років, особи з

фізичними, сенсорними чи розумовими вадами, а також особи, які мають незначний досвід чи знання щодо використання цього приладу, лише за умови, що такі особи отримали інструкції щодо безпечного використання приладу, розуміють можливий ризик або використовують прилад під наглядом осіб, що відповідають за їхню безпеку. Не дозволяйте дітям гратися з приладом. Діти можуть чистити та обслуговувати прилад лише під наглядом дорослих.

⚠ **ОБЕРЕЖНО:** У разі пошкодження скла конфорки: негайно вимкніть усі конфорки та будь-які електричні нагрівальні елементи і відключіть прилад від джерела живлення; не торкайтеся поверхонь приладу; не користуйтеся приладом.

Скляна кришка може зламатися, якщо нагріється. Перед закриванням кришки вимкніть усі конфорки та електричні панелі. Не закривайте кришку під час роботи конфорки.

⚠ **ПОПЕРЕДЖЕННЯ:** Під час використання прилад і його доступні частини нагріваються. Слід бути обережними, щоб не торкнутися нагрівальних елементів. Дітей до 8 років не можна залишати поруч із приладом без постійного нагляду.

⚠ Не залишайте продукти або готові страви у виробі чи на ньому більше ніж протягом однієї години до або після приготування.

ДОЗВОЛЕНЕ ВИКОРИСТАННЯ

⚠ **ОБЕРЕЖНО:** Цей прилад не призначений для експлуатації із зовнішнім приладом для перемикання, наприклад, таймером або окремою системою дистанційного керування.

⚠ Цей прилад призначено для використання в побутових і подібних умовах, наприклад таких: в кухонних зонах магазинів, офісів та інших робочих середовищ; у фермерських господарствах; клієнтами в готелях, мотелях, хостелах й інших житлових приміщеннях.

⚠ Забороняється використовувати прилад для інших цілей (наприклад, для опалення приміщень).

⚠ Цей пристрій не призначений для професійного використання. Не користуйтеся приладом на вулиці.

⚠ Використовувати каструлі та сковороди, дно яких має такий самий або трохи більший діаметр, як і конфорки (див. відповідну таблицю). стежити, щоб каструлі на решітці не виступали за межі варильної панелі.

⚠ Неправильне використання решіток може призвести до пошкодження варильної панелі: Не ставте решітку догори дном і не тягніть її по варильній панелі.

Регулюйте потужністю полум'я конфорки так, щоб воно не виходило за межі сковороди або каструлі.

Якщо поверхня варильної панелі виконана зі скла, не використовуйте чавунні, керамічні та виготовлені з натурального каменю каструлі та сковороди.

Не використовуйте: пристрої для рівномірного розсіювання полум'я (наприклад, металева сітка тощо); одночасно дві конфорки для одного посуду (наприклад, довгий посуд для приготування риби).

Якщо через певну місцеву якість подачі газу запалення конфорок викликає труднощі, рекомендовано повторити спробу запалювання, повернувши ручку керування потужністю конфорки до позначки малого полум'я.

У випадку встановлення витяжки над варильною поверхнею див. інструкції виробника витяжки для дотримання правильної відстані.

Захисні гумові ніжки на сітках можуть стати причиною удушення дітей. Після знімання сітки переконайтеся, що всі ніжки правильно встановлені.

УСТАНОВЛЕННЯ

⚠ Встановлення і обслуговування приладу повинно виконуватись принаймні двома особами для уникнення ризику травмування. Під час розпакування та встановлення приладу використовуйте захисні рукавиці – існує ризик порізів.

⚠ Електричні та газові з'єднання мають відповідати місцевим нормам.

⚠ Установлення, підключення водопостачання (за наявності) і електричних з'єднань, як і ремонтні роботи, повинні виконуватись кваліфікованим персоналом. Не ремонтуйте та не замініюйте жодну частину приладу, якщо в інструкції з експлуатації прямо не вказано, що це необхідно зробити. Не дозволяйте дітям наближатись до місця установлення. Розпакувавши прилад, перевірте, чи немає на ньому пошкоджень після транспортування. Якщо це так, зверніться до дилера або найближчого центру післяпродажного обслуговування. Після встановлення залишки упаковки (пластик, пінополістиролові елементи тощо) повинні зберігатися в недоступному для дітей місці – існує небезпека удушення. Перед проведенням будь-яких робіт з установлення приладу слід відключити від електромережі для уникнення ризику ураження електричним струмом. Під час установлення приладу переконайтеся, що він не перетискає та не пошкоджує кабель живлення – існує ризик виникнення пожежі або ураження електрострумом. Вмикайте прилад лише після завершення процедури його встановлення.

⚠ **ПОПЕРЕДЖЕННЯ:** Критично важливими для безпеки і правильності використання приладу в усіх додаткових країнах є способи його модифікації і встановлення.

⚠ Використовуйте регулятори тиску, сумісні з показниками тиску газу, вказаними в інструкції.

⚠ Приміщення повинне бути оснащено витяжною системою, що видаляє всі гази і дим, які утворюються під час горіння.

⚠ У приміщенні також слід забезпечити належну циркуляцію повітря, оскільки для забезпечення нормального перебігу горіння потрібне свіже повітря. Приплив повітря не повинен бути меншим від 2 м³/год на кожний кіловат встановленої потужності.

⚠ Система циркуляції повітря повинна забирати свіже повітря безпосередньо з атмосфери за межами приміщення за допомогою труби з площею внутрішнього перерізу не менше 100 см²; вхідний отвір повинен бути захищеним від будь-якого блокування.

⚠ Система також може постачати потрібне для процесу горіння повітря непрямым способом, тобто з суміжних приміщень, оснащених трубами для циркуляції повітря, що відповідають наведеним вище вимогам. Однак згадані вище приміщення не повинні бути приміщеннями спільного користування, спальними кімнатами або приміщеннями, що можуть бути пожежно небезпечними.

⚠ Пара рідкого палива спускається до підлоги, оскільки вона важча від повітря. Тому приміщення з балонами, наповненими зрідженим вуглеводневим газом, також слід оснастити вентиляторами, які б видаляли газ у випадку його витоку. Враховуючи згадані вище обставини, частково або повністю заповнені зрідженим вуглеводневим газом балони заборонено встановлювати або зберігати в приміщеннях або на складських майданчиках, що знаходяться нижче рівня землі (наприклад, у підвалах і подібних приміщеннях). Рекомендується зберігати лише балон, який використовується в приміщенні, і розташовувати його так, щоб на нього не могло діяти тепло від зовнішніх джерел (духових шаф, камінів, кухонних плит і т. п.), які можуть нагріти балон до температури вище 50 °С.

⚠ Усі столярні роботи виконуйте до вбудовування приладу в меблевий корпус і приберіть усю дерев'яну стружку та тирсу.

⚠ Якщо прилад не встановлений над піччю, необхідно встановити піддон для збирання рідини (не входить в комплект) у відділенні під приладом.

У разі виникнення труднощів з повертанням ручок керування потужністю пальників зверніться до центру післяпродажного обслуговування, щоб замінити кран пальника, якщо він виявиться несправним.

Заборонено перекривати отвори, що використовуються для вентиляції і розсіювання тепла.

ПІДКЛЮЧЕННЯ ГАЗУ

⚠ **ПОПЕРЕДЖЕННЯ:** Перед встановленням слід переконатися, що місцеві умови постачання (тип газу і його тиск) і конфігурація газового приладу сумісні.

⚠ Перевірте, чи відповідає тиск газу значенням, вказаним у таблиці "Технічні умови пальників і сопел".

⚠ **ПОПЕРЕДЖЕННЯ:** Умови налаштування цього приладу вказані на спеціальній позначці (або на заводській табличці даних).

⚠ **ПОПЕРЕДЖЕННЯ:** Цей прилад не під'єднаний до пристрою видалення продуктів згорання. Його слід встановити і підключити відповідно до чинних норм встановлення. Особливу увагу потрібно приділити відповідним вимогам щодо вентиляції.

⚠ Якщо прилад приєднують до джерела зрідженого газу, слід максимально щільно затягнути регулювальний гвинт.

⚠ **ВАЖЛИВО:** Переконайтеся, що газовий балон або ємність із газом розміщується належним чином (у вертикальному положенні), а вже потім підключайте до них газовий прилад.

⚠ **ПОПЕРЕДЖЕННЯ:** Лише кваліфікованому майстру дозволяється проводити цю процедуру.

⚠ Використовуйте тільки гнучкий або жорсткий металевий шланг для підключення до газової системи.

⚠ Підключення за допомогою жорсткої труби (мідної або сталеві). Підключення до системи газопостачання слід виконувати таким чином, щоб на газовий прилад не діяло жодне зусилля натягу чи деформації. Газовий прилад оснащений у точці підключення газу Г-подібною з'єднувальною деталлю з ущільнювальним матеріалом, щоб уникнути витоку газу. Після обертання з'єднувальної

деталі ущільнювальний матеріал завжди слід міняти (ущільнювальний матеріал постачається в комплекті газового приладу). З'єднувальна трубна деталь являє собою циліндричний охоплюваний з'єднувач із зовнішньою різью 1/2 дюйма для під'єднання газу.

⚠ Підключення безшовної гнучкої труби з нержавіючої сталі до з'єднувача з різью. З'єднувальна трубна деталь являє собою циліндричний охоплюваний з'єднувач із різью 1/2 дюйма для під'єднання газу. Такі труби слід встановлювати таким чином, щоб у повністю розправленому стані їх довжина не перевищувала 2000 мм. Коли з'єднання виконане, гнучка металева труба не повинна торкатися рухомих деталей і не повинна знаходитися в стисненому стані. Слід використовувати лише труби і ущільнювальні матеріали, що відповідають вимогам актуальних національних нормативів.

⚠ **ВАЖЛИВО:** У разі використання шланга з нержавіючої сталі його слід встановити так, щоб він не торкався жодних рухомих частин меблів (наприклад, висувного ящика). Його слід прокласти в місці, де немає жодних перешкод і де його можна оглянути по всій довжині.

⚠ Цей прилад слід під'єднувати до мережі газопостачання або до газового балона згідно з вимогами чинних національних нормативів. Перш ніж під'єднувати, переконайтеся, що даний прилад сумісний з системою газопостачання, якою плануєте користуватися. Якщо виявиться, що прилад несумісний з наявною системою, див. розділ "Налаштування відповідно до іншого типу газу".

⚠ Підключивши прилад до газової мережі, за допомогою мильної води перевірте, чи немає витоку газу. Запаліть пальники та поверніть відповідні ручки керування потужністю пальників у максимальне (1*), а потім у мінімальне (2*) положення, щоб перевірити рівномірність полум'я.

НАЛАШТУВАННЯ ВІДПОВІДНО ДО ІНШОГО ТИПУ ГАЗУ
(Ці роботи має здійснювати кваліфікований персонал).

⚠ Для того, щоб пристосувати прилад до роботи з іншим типом газу, а не тим, на який він був налаштований на заводі-виробнику (зазначений на етикетці з технічними даними), виконайте наступні кроки, наведені після креслень щодо монтажу.

ПОПЕРЕДЖЕННЯ ПРО НЕБЕЗПЕКУ УРАЖЕННЯ ЕЛЕКТРИЧНИМ СТРУМОМ

⚠ **ВАЖЛИВО:** Інформація про споживання струму та напруги наведена на інформаційній таблиці.

⚠ Слід забезпечити можливість від'єднання приладу від електромережі шляхом витягування вилки (за наявності) з розетки або за допомогою багатополюсного перемикача, встановленого перед розеткою згідно з нормами прокладання електропроводки, крім того, прилад має бути заземлений відповідно до національних стандартів електробезпеки.

⚠ Довжина кабелю живлення має бути достатньою для підключення приладу до електромережі після його встановлення в меблевий корпус. Не тягніть за кабель живлення приладу.

⚠ Не використовуйте подовжувачі, розгалужувачі або адаптери. Після підключення електричні компоненти мають бути недосяжними для користувача. Не використовуйте прилад, якщо ви мокрі або босоніж. Забороняється користуватися цим приладом у разі пошкодження кабелю живлення або вилки й у разі неналежної роботи приладу або пошкодження чи падіння.

⚠ Якщо кабель електроживлення пошкоджений, слід звернутись до виробника, сервісного агента або особи з подібною кваліфікацією для заміни на ідентичний кабель, щоб уникнути небезпеки - існує ризик ураження електричним струмом.


ЧИЩЕННЯ ТА ОБСЛУГОВУВАННЯ

⚠ **ПОПЕРЕДЖЕННЯ:** перед здійсненням технічного обслуговування приладу переконайтеся в тому, що прилад вимкнений і відключений від джерела живлення ніколи не застосовуйте пристрої чищення паром – існує ризик ураження електричним струмом.

⚠ Не використовуйте абразивні чи їдкі матеріали, очисники на основі хлору або металеві щітки.

⚠ Щоб не пошкодити пристрій електричного запалювання, не використовуйте його, коли конфорки знаходяться не на своїх місцях.


УТИЛІЗАЦІЯ ПАКУВАЛЬНИХ МАТЕРІАЛІВ

Пакувальний матеріал на 100% є вторинною сировиною, придатною для повторного використання, і позначений відповідним символом . Тому різні частини упаковки слід утилізувати відповідально та згідно з місцевими правилами щодо утилізації відходів.

УТИЛІЗАЦІЯ ПОБУТОВИХ ПРИЛАДІВ

Цей прилад виготовлено з матеріалів, які підлягають вторинній переробці або придатні для повторного використання. Утилізуйте Перед проведенням будь-якого чищення або технічного обслуговування слід переконавшись, що прилад охолонув. Його відповідно до місцевих правил утилізації відходів. Для отримання додаткової інформації про поводження з побутовими електричними приладами, їх утилізацію та вторинну переробку зверніться до місцевих органів, служби утилізації побутових відходів або в магазин, де ви придбали прилад. Цей прилад марковано відповідно до Європейської директиви 2012/19/ЄС, Директиви щодо відпрацьованого електричного й електронного обладнання (WEEE) та до Регламенту 2013 року про відходи електричного та електронного обладнання (зі змінами).

Забезпечивши правильну утилізацію цього приладу, ви допоможете запобігти негативним наслідкам для довкілля та здоров'я людей.

Символ  на виробі або в супровідній документації вказує на те, що прилад не можна утилізувати як побутові відходи, і що його потрібно здавати на утилізацію до відповідних центрів збору відходів для вторинної переробки електричного та електронного обладнання.

ПОРАДИ ЩОДО ЕНЕРГОЗБЕРЕЖЕННЯ

Використовувати каструлі та сковороди, площа дна яких дорівнює площі конфорки.

Використовувати тільки каструлі та сковороди з плоским дном.

За нагоди накривати каструлі кришками під час приготування.

Використовувати сковородку, щоб заощадити електроенергію та час.

ДЕКЛАРАЦІЯ ПРО ВІДПОВІДНІСТЬ

Цей прилад відповідає вимогам щодо екодизайну Регламенту ЄС 66/2014, вимогам щодо екодизайну для виробів, що споживають енергію, та Положенням про енергетичну інформацію (Поправка) (Вихід з ЄС) 2019 року, відповідно до європейського стандарту EN 30-2-1.

Інформацію щодо використання приладу в режимі низького енергоспоживання відповідно до Регламенту (ЄС) 2023/826 можна знайти за наступним посиланням: <https://docs.emeaappliance-docs.eu>.

Тип газу, що використовується	Тип конфорки	Маркування форсунки	Номинальна потужність теплового потоку кВт	Номинальне споживання	Номинальний обсяг споживання кВт	Тиск газу мбар		
						мін	ном.	макс.
ПРИРОДНИЙ ГАЗ (Метан) G20	Напівшвидка (SR)	95 Z	1,65	157 л/год	0,40	17	20	25
	Допоміжна (AUX)	72 X	1,00	95 л/год	0,40			
	2-кільцева(DC)	138 A	3,50	333 л/год	1,65			
СКРАПЛЕНИЙ ГАЗ (Бутан) G30	Напівшвидка (SR)	63	1,65	120 г/год	0,40	20	28-30	35
	Допоміжна (AUX)	50	1,00	73 г/год	0,40			
	2-кільцева(DC)	91	3,50	254 г/год	1,65			
СКРАПЛЕНИЙ ГАЗ (Пропан) G31	Напівшвидка (SR)	63	1,65	118 г/год	0,40	25	37	45
	Допоміжна (AUX)	50	1,00	71 г/год	0,40			
	2-кільцева(DC)	91	3,50	250 г/год	1,65			

Тип газу, що використовується	Конфігурація моделі 4 КОНФОРКИ	Номинальна потужність теплового потоку (кВт)	Загальний номінальний обсяг споживання	Об'єм повітря (м ³), необхідний для спалювання 1м ³ газу
G20 20 мбар	2SR - 1AUX - 1DC	7,80	743 л/год	9,52
G30 28-30 мбар	2SR - 1AUX - 1DC	7,80	567 г/год	30,94
G31 37 мбар	2SR - 1AUX - 1DC	7,80	557 г/год	23,80

ДЖЕРЕЛО ЕЛЕКТРОЕНЕРГІЇ: 220–240В~50-60Гц–0,6 Вт

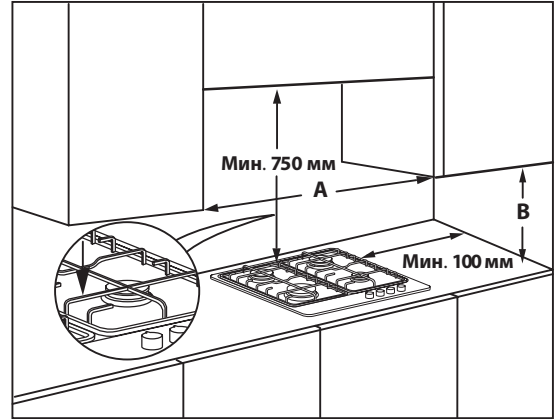
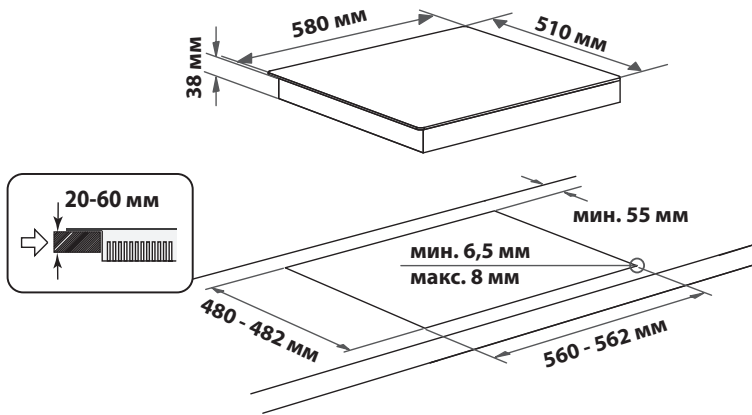


УСТАНОВЛЕННЯ (КЛАС 3)

ТЕХНІЧНА ІНФОРМАЦІЯ ДЛЯ МОНТАЖУ

- Під час обслуговування приладу, його підготовки до роботи та встановлення використовуйте захисні рукавиці.
- Для вбудування цього продукту підійдуть робочі поверхні завтовшки 20–60 мм.
- Якщо під варильною панеллю немає духової шафи, вставте піддон зонайменше такого ж розміру, як і отвір на робочій поверхні. Цей піддон слід розмістити максимум на 150 мм нижче верхньої частини робочої поверхні, але в жодному разі не ближче 20 мм від дна варильної панелі. Якщо ви плануєте встановлювати під варильною панеллю духову шафу, вона має бути оснащена системою охолодження.

РОЗМІРИ ТА ВІДСТАНІ, ЯКИХ СЛІД ДОТРИМУВАТИСЯ



ПРИМІТКА: Якщо відстань «А» між настінними шафами має значення в діапазоні від 600 до 730 мм, висота «В» повинна мати значення принаймні 530 мм.

Якщо відстань «А» між настінними шафами більша за ширину варильної поверхні, висота «В» повинна мати значення принаймні 400 мм. У разі встановлення витяжки над варильною панеллю див. інструкції виробника витяжки, щоб визначити правильну відстань.

МОНТАЖ

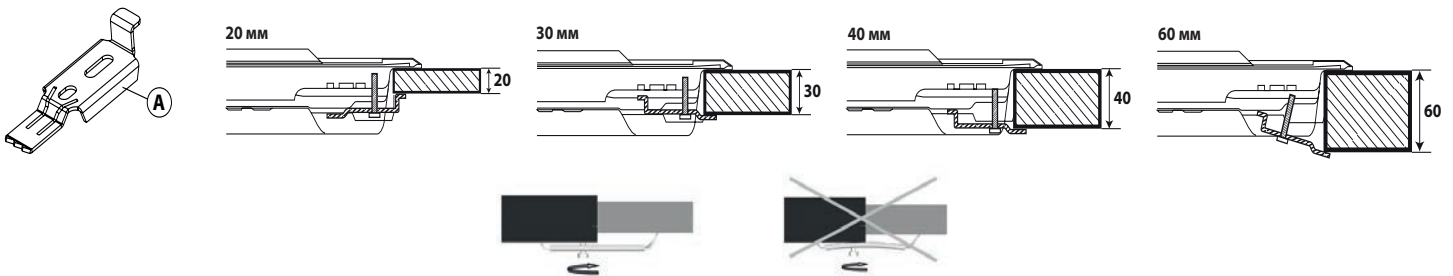
Очистивши поверхню по периметру, застосуйте до варильної панелі прокладку з комплекту постачання (див. рисунок).

Розмістіть варильну панель в отворі робочої поверхні, зробленого відповідно до вказаних у цих інструкціях розмірів.



ПРИМІТКА: Кабель живлення має бути достатньо довгим, щоб його можна було витягнути нагору.

Закріпіть варильну панель за допомогою скоб (А), що входять до комплекту. Припасуйте скоби відповідно до отворів, як показано стрілками на малюнку, а тоді затягніть їх за допомогою шурупів відповідно до товщини робочої поверхні (див. малюнки нижче).



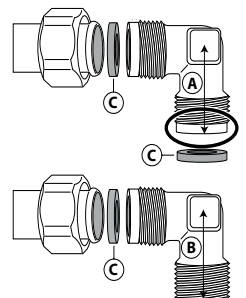
ПІДКЛЮЧЕННЯ ГАЗУ

- З'єднайте колінчастий патрубок (А)* або (В)*, що входить до комплекту варильної панелі, з головною впускною трубою, поставивши між ними прокладку (С), що входить до комплекту та відповідає стандарту EN 549.

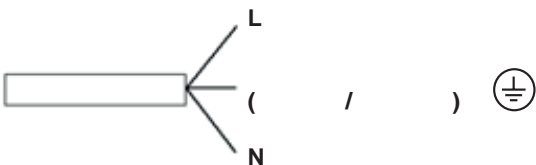
* Використовуйте патрубок А у Франції, а патрубок В для всіх інших країн.

- Підключивши варильну панель до газової мережі, за допомогою мильної води перевірте, чи немає витоків газу.

Запаліть конфорки та поверніть відповідні ручки керування потужністю конфорок у максимальне \odot , а тоді в мінімальне \ominus положення, щоб перевірити рівномірність полум'я.



ЕЛЕКТРИЧНЕ ПІДКЛЮЧЕННЯ



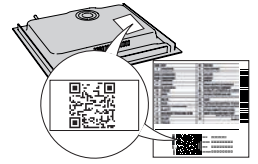
**ДЯКУЄМО ЗА ПРИДБАННЯ ВИРОБУ HOTPOINT/ARISTON**

Для отримання більш повної допомоги зареєструйте свій прилад на сайті www.register10.eu.



Перед використанням пристрою уважно прочитайте інструкції з техніки безпеки.

ВІДСКАКУЙТЕ QR-КОД НА СВОЄМУ ПРИЛАДІ, ЩОБ ОТРИМАТИ ДОДАТКОВУ ІНФОРМАЦІЮ

**ОПИС ВИРОБУ**

1. Знімні решітки для каструль
2. Напівшвидка конфорка
3. Напівшвидка конфорка
4. 2-кільцева конфорка
5. Допоміжна конфорка
6. Ручка керування потужністю напівшвидкої конфорки
7. Ручка керування потужністю напівшвидкої конфорки
8. Ручка керування потужністю 2-кільцевої конфорки
9. Ручка керування потужністю допоміжної конфорки

Символи

- Зафарбований круг ● Перекритий кран
- Велике полум'я Максимальний отвір/подача й електричне запалювання
- Мале полум'я Мінімальний отвір і знижена подача

ЩОДЕННЕ ВИКОРИСТАННЯ**ВИКОРИСТАННЯ ВАРИЛЬНОЇ ПАНЕЛІ**

Регулюйте потужність полум'я конфорки так, щоб воно не виходило за межі сковороди або каструлі.

ВАЖЛИВО! під час використання варильної панелі може нагріватися вся її поверхня.

- Щоб запалити одну з конфорок, поверніть відповідну ручку проти годинникової стрілки до позначки максимального полум'я.
- Притисніть ручку до панелі керування, щоб запалити конфорку.
- Утримуйте ручку натиснутою впродовж 5–10 секунд після запалювання конфорки, щоб прилад запрацював належним чином.
- Захисний механізм цієї конфорки вимикає подачу газу на конфорку, якщо полум'я раптом зникає (через несподіваний протяг, перебої в подачі газу, випарування рідини тощо).
- Не рекомендовано утримувати ручку натиснутою понад 15 секунд. Якщо і після цього періоду часу конфорка не запалиться, зачекайте хвилину, перш ніж спробувати запалити її ще раз.**

ПРИМІТКА. Якщо через певні місцеві умови та якість подачі газу виникають труднощі із запаленням конфорок, рекомендовано повторити спробу запалювання, повернувши ручку керування потужністю конфорки до позначки малого полум'я.

Полум'я конфорки може згаснути, якщо відпустити ручку. Це означає, що захисний механізм недостатньо прогрівся. У такому разі повторіть перелічені вище дії.

Якщо полум'я випадково згасло, вимкніть газ рукою регулювання та зачекайте приблизно 1 хвилину перед тим як запалювати його знову.

ПРАКТИЧНІ ПОРАДИ З ВИКОРИСТАННЯ КОНФОРОК

Ця варильна панель має конфорки різного діаметру. Щоб ефективніше використовувати конфорки, радимо:

- використовувати каструлі та сковороди, дно яких має такий самий або трохи більший діаметр, як і конфорки (див. таблицю праворуч);
- використовувати тільки каструлі та сковороди з плоским дном;
- використовувати правильну кількість води для приготування страв і накривати каструлі кришками;
- стежити, щоб каструлі на решітці не виступали за межі варильної панелі;
- (для сковорід із випуклим дном – вок) використовувати допоміжну решітку, яку слід розташувати тільки над багатокільцевою конфоркою;
- уникайте випадкових ударів каструлями, ґратками або іншою кухонними начинням;
- Не залишайте порожні сковороди для барбекю на увімкненій конфорці більше 5 хвилин.

ВАЖЛИВО! Неправильне використання решіток може призвести до пошкодження варильної панелі. Не ставте решітку догори дном і не тягніть її по варильній панелі.

КОНФОРКА	Ø КАСТРУЛІ
2-кільцева	Від 24 до 26 см
Напівшвидка	Від 16 до 22 см
Допоміжна	Від 8 до 14 см

Не використовуйте:

- чавунні, керамічні та виготовлені з натурального камення каструлі та сковороди;
- пристрої для рівномірного розсіювання полум'я (наприклад, металева сітка тощо);
- одночасно дві конфорки для однієї посудини (наприклад, довга посудина для приготування риби).

НАЛАШТУВАННЯ ВАРИЛЬНОЇ ПАНЕЛІ ВІДПОВІДНО ДО ІНШОГО ТИПУ ГАЗУ

Лише кваліфікований майстер повинен проводити цю процедуру.

Якщо на варильну панель постачатиметься інший тип газу, ніж указано в технічних даних і на інформаційній етикетці на самій верхній панелі, змініть форсунки. Зніміть інформаційну етикетку та зберігайте її в посібнику з інструкціями.

Використовуйте регулятори тиску, сумісні з показниками тиску газу, вказаними в цих інструкціях:

- Лише працівники центру післяпродажного обслуговування або кваліфіковані фахівці повинні замінювати газові форсунки.
- Форсунки, які не входять до комплекту постачання, слід замовляти в центрі післяпродажного обслуговування.
- Установіть для кранів подачі газу мінімальне значення.

ПРИМІТКА. У разі використання зрідженого нафтового газу (G30/G31) гвинт регулювання мінімального значення потрібно максимально закрутити.

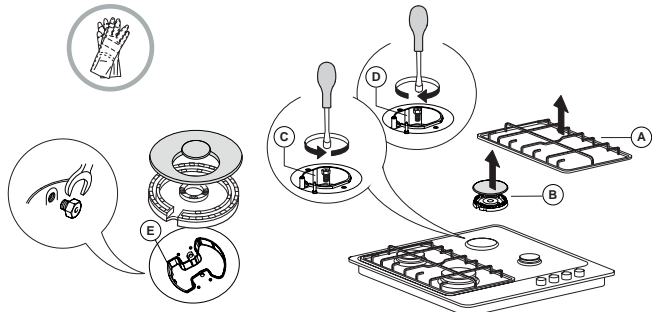
ВАЖЛИВО! У разі виникнення труднощів з поверненням ручок керування потужністю конфорок, зверніться до центру післяпродажного обслуговування, щоб замінити несправний кран конфорки.

ВАЖЛИВО! Переконайтеся, що газовий балон або ємність із газом розміщуються належним чином (у вертикальному положенні), а вже потім підключайте до них варильну панель.

ЗАМІНА ФОРСУНОК (див. Таблицю форсунок в Інструкціях з техніки безпеки)

⚠ Лише кваліфікований майстер повинен проводити цю процедуру.

- Зніміть решітки (A).
- Витягніть конфорки (B).
- За допомогою торцевого ключа відповідного розміру розкрутіть форсунку (C) яку потрібно замінити.
- Замініть її на форсунку, придатну для нового типу газу.
- Вмонтуйте форсунку (D).
- Якщо конфорка має декілька коронок, замініть форсунку за допомогою бічного гайкового ключа (E).



Перш ніж установлювати варильну панель, не забудьте прикріпити табличку калібрування газу, що постачається з форсунками, щоб вона відповідала фактичним даним про калібрування подачі газу.

ТАБЛИЦЯ ПРИГОТУВАННЯ

РІВЕНЬ	МЕТОД/СПОСІБ ГОТУВАННЯ (РЕКОМЕНДУЄТЬСЯ ДЛЯ)	ПОРАДИ ЩОДО ПРИГОТУВАННЯ
1-2	ПІДТРИМАННЯ ТЕПЛА	Підходить для пом'якшення масла, повільного топлення шоколаду на водяній бані, розморожування дрібних порцій, заправки ризотто соусом
	БЕРЕЖНЕ ПРИГОТУВАННЯ	
3-4	ПОВІЛЬНЕ КИПІННЯ	Підходить для приготування на повільному вогні (рис, соуси, печеня, риба) з використанням рідин (наприклад, з водою, вином, бульйоном), заправки макаронів соусом та підтримання повільного кипіння.
	ТУШКУВАННЯ	
5-6	СМАЖЕННЯ	Підходить для пасерування, тушкування овочів, приготування протягом тривалого часу, розігрівання посуду, розварювання
	ТРИВАЄ ЗАЖАРЮВАННЯ	
7-8	СТІР-ФРАЙ	Підходить для підрум'янювання, початкової стадії приготування, швидкого доведення рідин до кипіння, смаження продуктів глибокої заморозки, приготування на грилі м'яса і риби, підтримання інтенсивного кипіння.
	ГРИЛЬ	
9	ШВИДКЕ НАГРІВАННЯ	Підходить для швидкого підігрівання страв або швидкого нагрівання рідин (води).

ОЧИЩЕННЯ І ОБСЛУГОВУВАННЯ

⚠ Від'єднайте прилад від джерела живлення.

ОЧИЩЕННЯ ПОВЕРХНІ ВАРИЛЬНОЇ ПАНЕЛІ

- Усі емальовані та скляні частини слід очищувати теплою водою та нейтральним розчином.
- Під час тривалого контакту з вапнистою водою або абразивними миючими засобами на поверхнях із нержавіючої сталі можуть виникнути плями. Пролиту рідину (вода, соус, кава тощо) слід витирати одразу, ще до того, як вона засохне.
- Очищувати панель потрібно теплою водою та нейтральним миючим засобом, а тоді витирати насухо за допомогою м'якої тканини чи замші. Бруд від припалених решток їжі видаляйте за допомогою спеціальних очисників для поверхонь із нержавіючої сталі.

ПРИМІТКА. Нержавіючу сталь слід чистити тільки за допомогою м'якої тканини або губки.

- Не використовуйте абразивні чи їдкі матеріали, очисники на основі хлору або металеві щітки.
- Ніколи не застосовуйте пристрої, у яких для очищення використовується пара.
- Не використовуйте займісті продукти.
- Не залишайте кислотні або лужні речовини, наприклад оцет, гірчицю, сіль, цукор чи лимонний сік на варильній панелі.

НАЛАШТУВАННЯ КРАНІВ НА МІНІМАЛЬНУ ПОДАЧУ ГАЗУ

⚠ Лише кваліфікований майстер повинен проводити цю процедуру.

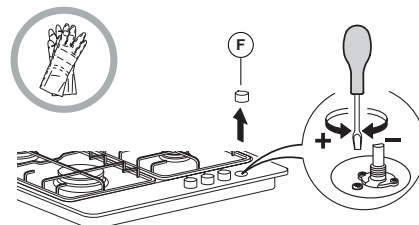
Налаштовувати подачу газу потрібно тоді, коли кран знаходиться в положенні мінімальної подачі (маленьке полум'я) ⚡.

Первинне повітря в конфорках налаштовувати не потрібно.

Щоб пересвідчитися в правильному налаштуванні мінімальної подачі газу, зніміть ручку керування потужністю конфорки (F) та виконайте перелічені нижче дії:

- Закрутіть гвинт, щоб зменшити висоту полум'я (-);
- Послабити гвинт, щоб збільшити висоту полум'я (+).

На цьому етапі запаліть конфорку та поверніть ручку керування потужністю конфорки на максимальне ⚡, а тоді на мінімальне ⚡ значення, щоб перевірити рівномірність полум'я.



Завершивши налаштування, запечатайте необхідні ділянки за допомогою сургучу або аналогічного матеріалу.

ОЧИЩЕННЯ ЧАСТИН ВАРИЛЬНОЇ ПАНЕЛІ

- Чистьте скляні й емальовані частини лише за допомогою м'якої тканини чи губки.
- Решітки, кришки конфорок і конфорки можна також зняти, щоб почистити їх.
- Очистьте їх вручну за допомогою теплої води з неабразивним миючим засобом, видаляючи будь-які рештки їжі. Перевірте, чи жоден з отворів конфорки не забився.
- Промийте та висушіть їх.
- **Чавунну решітку можна мити в посудомийній машині. Перед тим, як помістити решітки в низ посудомийної машини, видавіть рештки їжі, що пригоріла.**
- Вставте конфорки у відповідні гнізда та належним чином накрийте конфорки кришками.
- Ставлячи на місце решітку, переконайтеся, що місце для кастрюлі збігається з конфоркою.
- Для забезпечення справної роботи на моделях, що містять поршень електричного запалювання та захисний механізм, слід ретельно очищати край поршня. Часто перевіряйте ці елементи, а в разі необхідності чистьте їх вологою тканиною. Будь-які припалені рештки їжі слід видалити за допомогою зубочистки або голки.

ПРИМІТКА. Щоб не пошкодити пристрій електричного запалювання, не використовуйте його, коли конфорки знаходяться не на своїх місцях.

Hotpoint

ARISTON

ПОСІБНИК З УСУНЕННЯ НЕСПРАВНОСТЕЙ

Якщо варильна панель працює неналежним чином, перш ніж звертатися до центру післяпродажного обслуговування, перегляньте "Посібник з усунення несправностей", щоб визначити проблему.

1. Конфорка не запалюється або полум'я нерівномірне

Перевірте, чи:

- не перекрита подача газу та джерело живлення, а особливо, чи відкритий кран подачі газу;
- газовий балон (зріджений газ) не порожній;
- не забиті отвори конфорки;
- не забруднена вилка розетки;
- усі частини конфорки розташовані правильно;
- біля варильної панелі немає протягів.

2. Конфорка гасне

Перевірте, чи:

- під час запалювання конфорки ви протягом тривалого часу утримували натиснутою ручку керування потужністю конфорки, щоб активувати захисний механізм;
- не забиті отвори конфорки біля теропари;
- не забруднено край захисного механізму;
- правильно налаштовано мінімальну подачу газу (див. відповідний розділ).

3. Резервуари конфорки нестабільні

Перевірте, чи:

- дно резервуара ідеально рівне;
- резервуар розміщено на конфорці рівно по центру;
- не переплутано місця решіток і їх правильно встановлено.

Якщо після вищевказаних перевірок несправність не зникає, зверніться до найближчого центру післяпродажного обслуговування.

ПІСЛЯПРОДАЖНЕ ОБСЛУГОВУВАННЯ

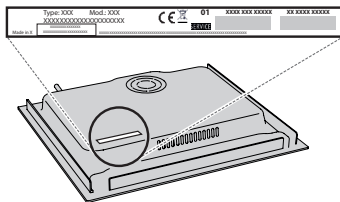
ПЕРШ НІЖ ЗВЕРТАТИСЯ ДО ЦЕНТРУ ПІСЛЯПРОДАЖНОГО ОБСЛУГОВУВАННЯ, ВИКОНАЙТЕ НАВЕДЕНІ НИЖЧЕ ДІЇ:

1. Перевірте, чи можна вирішити проблему самостійно за допомогою порад, наведених у розділі ПОСІБНИК З УСУНЕННЯ НЕСПРАВНОСТЕЙ.
2. Вимкніть прилад і знову увімкніть його, щоб перевірити, чи несправність залишається.

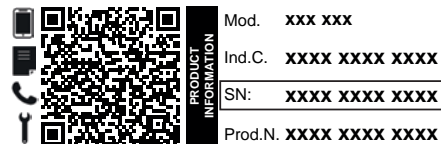
ЯКЩО ПІСЛЯ ВИЩЕВКАЗАНОЇ ПЕРЕВІРКИ НЕСПРАВНІСТЬ НЕ ЗНИКНЕ, ЗВЕРНІТЬСЯ ДО НАЙБЛИЖЧОГО ЦЕНТРУ ПІСЛЯПРОДАЖНОГО ОБСЛУГОВУВАННЯ.

Під час зв'язку з нашим Сервісом післяпродажного обслуговування завжди уточнюйте:

- короткий опис несправності;
- тип і точну модель приладу;



- серійний номер (номер після слова SN на паспортній табличці, розташованій під приладом). Серійний номер вказаний також у документації;



- повна адреса вашого місця проживання;
- ваш номер телефону.

Якщо потрібен ремонт, зверніться в авторизований центр післяпродажного обслуговування (щоб гарантувати, що будуть використані оригінальні запчастини та ремонт буде виконано правильно).

З правилами, стандартною документацією та додатковою інформацією про виріб можна ознайомитися наступним чином:

- за допомогою QR-коду на вашому побутовому приладі;
- відвідавши наш веб-сайт docs.hotpoint.eu;
- або **звернувшись до нашого центру післяпродажного обслуговування клієнтів** (номер телефону зазначено у гарантійному талоні). Звертаючись до центру післяпродажного обслуговування, повідомте коди, зазначені на табличці з паспортними даними виробу.

