

SAFETY INSTRUCTIONS

Download the complete instruction manual on <http://docs.hotpoint.eu> or call the phone number shown on the warranty booklet.

Before using the appliance, read these safety instructions. Keep them nearby for future reference.

These instructions and the appliance itself provide important safety warnings, to be observed at all times. The manufacturer declines any liability for failure to observe these safety instructions, for inappropriate use of the appliance or incorrect setting of controls.

⚠ WARNING: If the hob surface is cracked, do not use the appliance - risk of electric shock.

⚠ WARNING: Danger of fire: Do not store items on the cooking surfaces.

⚠ CAUTION: The cooking process has to be supervised. A short cooking process has to be supervised continuously.

⚠ WARNING: Unattended cooking on a hob with fat or oil can be dangerous - risk of fire. NEVER try to extinguish a fire with water: instead, switch off the appliance and then cover flame e.g. with a lid or a fire blanket.

⚠ Do not use the hob as a work surface or support. Keep clothes or other flammable materials away from the appliance, until all the components have cooled down completely - risk of fire.

⚠ Very young children (0-3 years) should be kept away from the appliance. Young children (3-8 years) should be kept away from the appliance unless continuously supervised. Children from 8 years old and above and persons with reduced physical, sensory or mental capabilities or lack of experience and knowledge can use this appliance only if they are supervised or have been given instructions on safe use and understand the hazards involved. Children must not play with the appliance. Cleaning and user maintenance must not be carried out by children without supervision.

⚠ WARNING: The appliance and its accessible parts become hot during use. Care should be taken to avoid touching heating elements. Children less than 8 years of age shall be kept away unless continuously supervised.

PERMITTED USE

⚠ CAUTION: the appliance is not intended to be operated by means of an external switching device, such as a timer, or separate remote controlled system.

⚠ This appliance is intended to be used in household and similar applications such as: staff kitchen areas in shops, offices and other working environments; farm houses; by clients in hotels, motels, bed & breakfast and other residential environments.

⚠ No other use is permitted (e.g. heating rooms).

⚠ This appliance is not for professional use. Do not use the appliance outdoors.

INSTALLATION

⚠ The appliance must be handled and installed by two or more persons - risk of injury. Use protective gloves to unpack and install - risk of cuts.

IMPORTANT TO BE READ AND OBSERVED

⚠ Installation, including water supply (if any), electrical connections and repairs must be carried out by a qualified technician. Do not repair or replace any part of the appliance unless specifically stated in the user manual. Keep children away from the installation site. After unpacking the appliance, make sure that it has not been damaged during transport. In the event of problems, contact the dealer or your nearest After-sales Service. Once installed, packaging waste (plastic, styrofoam parts etc.) must be stored out of reach of children - risk of suffocation. The appliance must be disconnected from the power supply before any installation operation - risk of electric shock. During installation, make sure the appliance does not damage the power cable - risk of fire or electric shock. Only activate the appliance when the installation has been completed.

⚠ Carry out all cabinet cutting operations before fitting the appliance and remove all wood chips and sawdust.

⚠ If the appliance is not installed above an oven, a separator panel (not included) must be installed in the compartment under the appliance.

ELECTRICAL WARNINGS

⚠ It must be possible to disconnect the appliance from the power supply by unplugging it if plug is accessible, or by a multi-pole switch installed upstream of the socket in accordance with the wiring rules and the appliance must be earthed in conformity with national electrical safety standards.

⚠ Do not use extension leads, multiple sockets or adapters. The electrical components must not be accessible to the user after installation. Do not use the appliance when you are wet or barefoot. Do not operate this appliance if it has a damaged power cable or plug, if it is not working properly, or if it has been damaged or dropped.

⚠ Installation using a power cable plug is not allowed unless the product is already equipped with the one provided by the Manufacturer.


⚠ If the supply cord is damaged, it must be replaced with an identical one by the manufacturer, its service agent or similarly qualified persons in order to avoid a hazard - risk of electric shock.

CLEANING AND MAINTENANCE

⚠ WARNING: Ensure that the appliance is switched off and disconnected from the power supply before performing any maintenance operation; never use steam cleaning equipment - risk of electric shock.

⚠ Do not use abrasive or corrosive products, chlorine-based cleaners or pan scourers.

DISPOSAL OF PACKAGING MATERIALS

The packaging material is 100% recyclable and is marked with the recycle symbol .


The various parts of the packaging must therefore be disposed of responsibly and in full compliance with local authority regulations governing waste disposal.

DISPOSAL OF HOUSEHOLD APPLIANCES

This appliance is manufactured with recyclable or reusable materials. Dispose of it in accordance with local waste disposal regulations. For further information on the treatment, recovery and recycling of household electrical

appliances, contact your local authority, the collection service for household waste or the store where you purchased the appliance. This appliance is marked in compliance with European Directive 2012/19/EU, Waste Electrical and Electronic Equipment (WEEE) and with the Waste Electrical and Electronic Equipment regulations 2013 (as amended).

By ensuring this product is disposed of correctly, you will help prevent negative consequences for the environment and human health.

The symbol  on the product or on the accompanying documentation indicates that it should not be treated as domestic waste but must be taken to an appropriate collection center for the recycling of electrical and electronic equipment.

ENERGY SAVING TIPS

Make the most of your hot plate's residual heat by switching it off a few minutes before you finish cooking.

The base of your pot or pan should cover the hot plate completely; a container that is smaller than the hot plate will cause energy to be wasted.

Cover your pots and pans with tight-fitting lids while cooking and use as little water as possible. Cooking with the lid off will greatly increase energy consumption.

Use only flat-bottomed pots and pans.

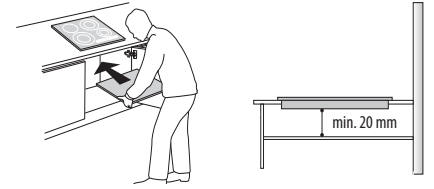
DECLARATION OF CONFORMITY

This appliance meets Ecodesign requirements of European Regulation 66/2014 and The Ecodesign for Energy-Related Products and Energy Information (Amendment) (EU Exit) Regulations 2019 in compliance with the European standard EN 60350-2.



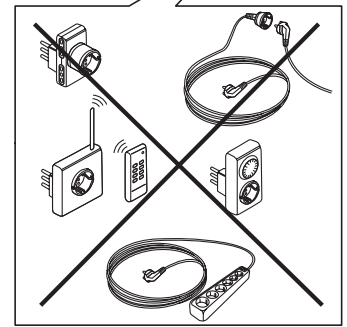
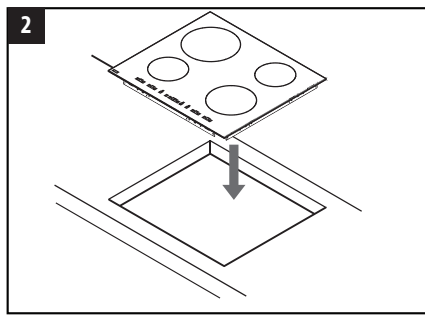
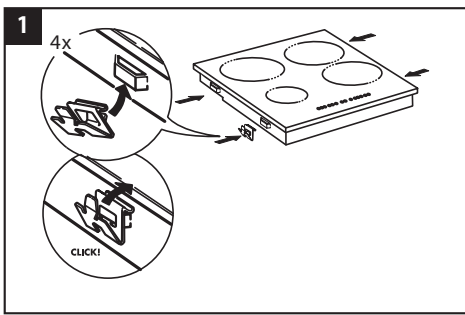
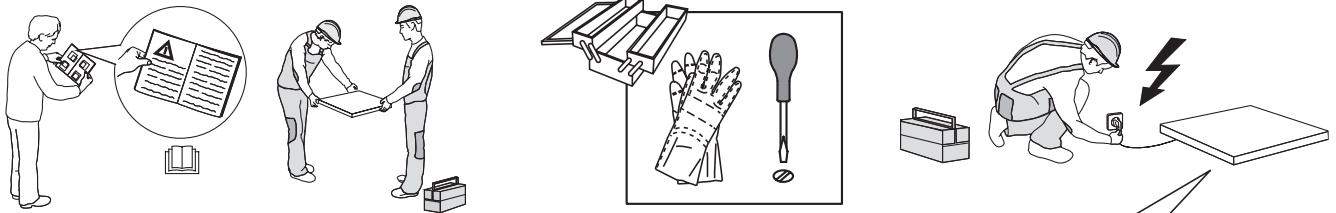
INSTALLATION

- The cooktop must be set into a worktop at least 20 mm deep.
- There must be nothing between the cooktop and the oven (cross rails, brackets, etc.).
- Make sure the power cord is long enough to allow convenient installation.
- The distance between the lower face of the glass ceramic hob and the cupboard or separating panel must be at least 20 mm.
- For built-in dimensions and installation see the picture in this paragraph.
- A minimum distance must be maintained between the hob and the hood above it. Please refer to the user manual of the hood for more informations.
- Apply the supplied gasket to the cooktop (unless it has already been fitted), after having cleaned its surface.
- **Do not install the cooktop near a dishwasher or washing machine, so that the electronic circuits do not come into contact with steam or moisture, which could damage them.**
- If an oven (from our range of ovens) is installed beneath the cooktop, make sure that it is equipped with a cooling system. If the temperature of the electronic circuits exceeds the maximum permitted temperature, the cooktop will switch off automatically; in this case, wait for a few minutes until the internal temperature of the electronic circuits reaches a tolerable level, at which point it will be possible to switch the hob on again.

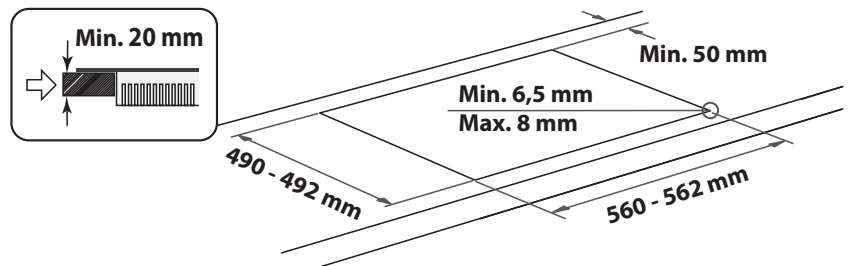
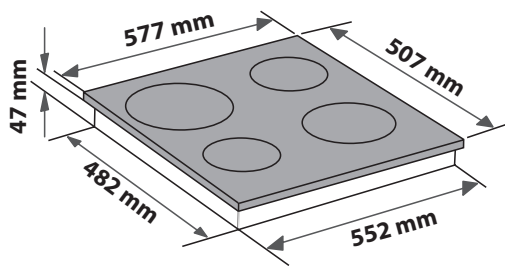
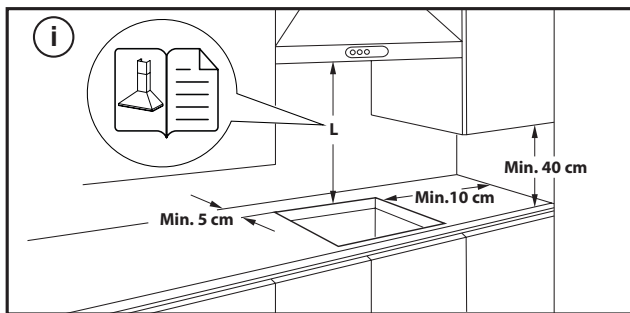


PLACING THE HOB

After the electrical connection (see the chapter "Electrical connection"). Position each fixing clips on the dedicated slots on the lateral sides of the hob as shown in the picture. Then push the hob inside the cut out and check that the glass is flat and parallel to the worktop. The fixing clips are designed for every type of worktop material (wood, marble, etc).



DIMENSIONS AND DISTANCES TO BE MAINTAINED



REMOVING THE HOB:

To remove the hob, first, disconnect it from the electric supply. It is strongly recommended to free the underneath part from the oven, drawer, separator, or other. It allows the technician to access the lower part of the hob to unfasten the four clips with a screwdriver, lift the hob and remove it, avoiding any worktop damage.

ELECTRICAL CONNECTION

Electrical connection must be made before connecting the appliance to the electricity supply.

The power cord is not included in the package - remember to prepare your own power cord.




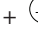
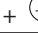
Installation must be carried out by qualified personnel who know the current safety and installation regulations. Specifically, installation must be carried out in compliance with the regulations of the local electricity supply company.

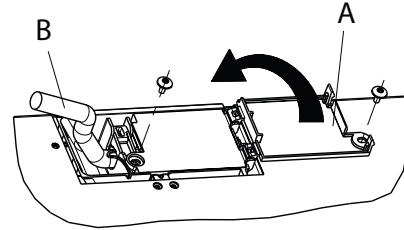
Make sure the voltage specified on the data plate located on the bottom of the appliance is the same as that of the home.

Regulations require that the appliance be earthed: use conductors (including the earth conductor) of the appropriate size only.

CONNECTION TO THE TERMINAL BLOCK

For the electrical connection, use an H05RR-F or H05V2V2-F cable as specified in the table below.

SUPPLY VOLTAGE	CONDUCTORS AMOUNT x SIZE
220-240V ~+ 	3 x 4 mm ²
230-240V ~+ 	3 x 4 mm ² (Australia only)
220-240V 3~+ 	4 x 1,5 mm ²
380-415V 3N~+ 	5 x 1,5 mm ²
380-425V 2N~+ 	4 x 1,5 mm ²



The appliance must be connected to the electricity supply by means of an all-pole disconnect switch with minimum contact gap of 3 mm.

ATTENTION: the power supply cable must be long enough to allow the cooktop to be removed from the worktop and must be positioned so as to avoid damage or overheating caused by contact with the base.

NOTE: the yellow/green earth wire must be connected to the terminal with the symbol  and must be longer than the other wires.

- Remove approx. 70 mm of the cable sheath from the power supply cable (B).
- Strip approx. 10 mm of sheath from the wires. Then insert the power supply cable into the cable clamp and connect the wires to the terminal block as indicated in the connection diagram placed close to the terminal block itself.
- Secure the power supply cable (B) by means of the cable clamp.
- Close the terminal board with the cover (A) securing it with the screw provided.
- After the electrical connection, fit the hob from the top and hook it to the support springs, according to the illustration.



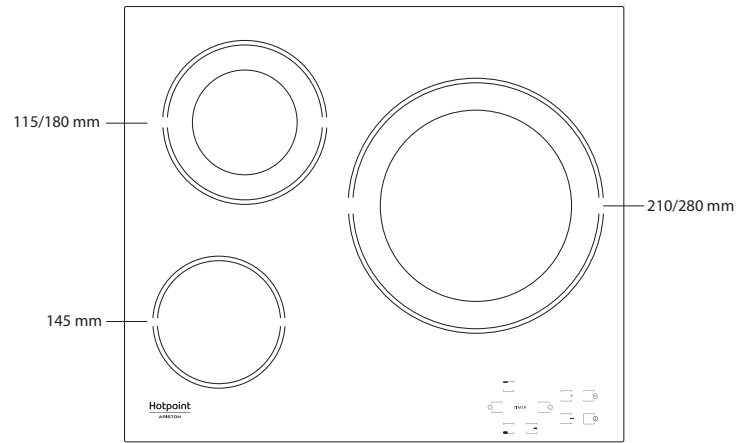
THANK YOU FOR BUYING A WHIRLPOOL PRODUCT
In order to receive a more complete assistance, please register your product on www.hotpoint.eu/register.

PLEASE SCAN THE QR CODE ON YOUR APPLIANCE IN ORDER TO REACH MORE INFORMATION

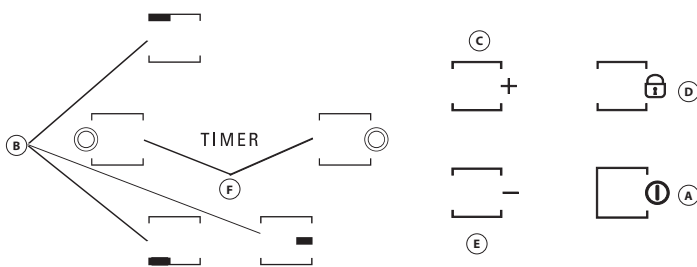


Before using the appliance carefully read the Safety Instruction.

PRODUCT DESCRIPTION



CONTROL PANEL



- A** On/Off
- B** Cooking zone and timer selection
- C-E** Heat setting increase and decrease
- D** Key lock
- F** Multiple zone Activation / Deactivation

FIRST TIME USE

Upon the first installation, the control panel performs a functional test for about 1 second, after which it automatically switches to the "Key lock" function.

To deactivate the function, press and hold button "D"; an acoustic signal will sound, and the corresponding led will turn off.

NOTE: If a reset occurs, repeat the procedure described above.

DAILY USE

① SWITCHING THE HOB ON/OFF

To switch the hob on, keep button "A" pressed for approx. 2 seconds. The 4 cooking zone displays show "0". If within 20 seconds none of the cooking zones is activated, the hob switches off automatically as a safety precaution.

SWITCHING ON AND ADJUSTING COOKING ZONES

Press one of the buttons "B" corresponding to the cooking zone you intend to use. Select the heat setting required with buttons "E" or "C". The other selectable cooking settings go from 1 to 9. Press buttons "+/-" at the same time to cancel all settings.

IMPORTANT: the control is deactivated 10 seconds after the heat setting has been selected.

To change the heat setting, first press the selection button "B" again, then proceed to change the setting, using buttons "E" or "C".

② MULTIPLE ZONE

After selecting the desired zone and setting the level (as described in the previous section) press "F": an indicator above the button turns on, activating the additional zone.

The multiple zone can only be used if:

- The cooking zone is provided with multiple zone;
- The power level selected is greater than 0.

To deactivate the multiple zone, press button "B" of the desired zone, then press "F" again.

TIMER

To set the Timer function, select the desired cooking zone and power setting then press the cooking zone key again and a luminous dot will appear on the display of the timer-controlled cooking zone. The indication "00" blinks on the 2 displays. Press buttons "C" or "E" to set the time from 1 to 99.

IMPORTANT: after 10 seconds the timer displays will show the power setting of the other cooking zones.

To view the remaining cooking time, press the timer-controlled cooking zone key twice.

A FUNCTION

This function allows to automatically decrease the cooking zone power level from the highest value (level 9) to the one selected by the user for a later stage of cooking.

To activate this function first press the “+” button when level 9 is reached.

The display shows “A” and “9” flashes alternately with low brightness.

At this point, choose the desired power level (less than 9) with the “-” button.

“A” and selected level flash alternately with low brightness on the display.

The function is activated once “A” and the selected level flash alternately with high brightness on the display.

Once “A” is no longer visible on the display (the “A” function switches off automatically after several minutes, depending on the set power level), the cooking process continues with lower power and the display shows only the selected power level.

N.B.: this function is not possible with level 9.



KEY LOCK

The Key lock function is switched on by holding down button “D” until a dot lights up above the function button. The control panel is locked except for the switching-off function. The function remains on even after the hob is switched off and on again and can be deactivated by pressing button “D” again until the dot above the function button goes off.

When the hob is off with the key lock activated to switch the hob on, first deactivate the key lock function by pressing button “D” again until the dot above the function button goes off.

The presence of water, liquid spilled from pots or any objects resting on the controls can accidentally activate or deactivate the Key lock function.



RESIDUAL HEAT INDICATOR

When the cooking zone is switched off, the residual heat indicator “H” remains on or flashes alternating with “0” until the temperature of the hob returns within safety levels.

COOKING TABLE

POWER LEVEL		TYPE OF COOKING	LEVEL USE (indicating cooking experience and habits)
Maximum power	9	Boiling	Ideal for rapidly increasing the food temperature to fast boiling in the case of water or rapidly heating cooking liquids.
	9 – 8	Searing	Ideal for browning, starting to cook, frying frozen products, fast boiling.
High power	8 – 7	Browning – maintain boiling – grilling	Ideal for browning, maintaining a high boil, cooking, and grilling (short duration, 5-10 minutes).
	7 – 6	Frying – cooking – grilling	Ideal for maintaining a low boil, cooking and grilling (medium duration, 10-20 minutes), preheating, and frying.
Medium power	6 – 5	Gentle frying	Ideal for frying eggs, omelettes.
	5 – 4	Cooking – simmering – stewing	Ideal for prolonged cooking (rice, sauces, roasts, fish) with liquids (e.g., water, wine, broth, milk), creaming pasta.
	4 – 3	Thickening – creaming pasta	
Low power	2 – 1	Keeping food hot – creaming risottos	Ideal for keeping just-cooked food hot (e.g., sauces, soups, minestrone), creaming risottos and keeping serving dishes warm.
Minimum power	1	Defrosting	Ideal for defrosting small products and gently melting chocolate or butter.
Zero power	0	–	Hob in stand-by or off mode (possible end of cooking residual heat, indicated by an “H”).

IMPORTANT: The hob’s safety features include an automatic switching off function. Prolonged use of the same heat setting triggers automatic switch-off of the cooking zone (for example, after around 1 hour at maximum heat setting, the cooking zone switches off).

IMPORTANT: To avoid a permanent damage the hob:

- do not use pots with bottoms that are not flat;
- do not use metal pots with enamelled bottom;
- do not place hot pots/pans over the control panel.

The hob is also equipped with the “auto shut off” function that switches off the cooking zone if no power level modification is done after a specific time frame depending on the power setting itself. In the table, there is the time duration of each power level.

POWER LEVEL	AUTO SHUT OFF TIME
0	30 seconds
1	10 hours
2	5 hours
3	5 hours
4	4 hours
5	3 hours
6	2 hours
7	2 hours
8	2 hours
9	1 hour

CLEANING AND MAINTENANCE

Disconnect the appliance from the power supply.

- Do not use steam cleaning equipment.
- Do not use abrasive sponges or scouring pads as they may damage the glass.
- After each use, clean the hob (when it is cool) to remove any deposits and stains from food residue.

- Sugar or foods with a high sugar content can damage the hob and must be immediately removed.
- Salt, sugar and sand could scratch the glass surface.
- Use a soft cloth, absorbent kitchen paper or a specific hob cleaner (follow the Manufacturer's instructions).
- Spills of liquid in the cooking zones can cause the pots to move or vibrate.
- After cleaning the hob, dry thoroughly.

TROUBLESHOOTING

If the hob does not operate correctly, before calling the After-Sales Service, refer to the Troubleshooting Guide to determine the problem.

- Read and follow the instructions given in the section "Daily use".
- Check that the electricity supply has not been shut off.
- Dry the hob thoroughly after cleaning it.
- If a cooking zone has been selected and an "F" or an "ER" appear on the display followed by a number, contact the After Sales Service and inform them.
- If the error code is "F03", "ER03" or "E02", try to solve it by following these instructions:
 - If the error "E02" appears, please make sure you haven't been pressing buttons for more than 5 seconds, no object is on the HMI area and that it's clean and dry - when cleaning, please follow the "Cleaning and Maintenance" paragraph.
 - If the error "F03" appears, try turning the cooktop off and on again.
 - If the error "F04" appears, contact After Sales Service and let them know which code is displayed.

- If the hob does not work following intensive use, the hob internal temperature is too high. Wait a few minutes until the hob cools down.
- If the heater is not continuously on but switches on and off cyclically even if on the display the power level does not change, this is part of the normal functioning of the hob. The on/off cycle allows the power regulation of the heater and is completely normal. In some cases, thermal protection could switch off the heater for some time to avoid glass damage. Examples of such cases are: cooking a long time at a high power level, using pots smaller than the heating element, and not flat-bottomed pots.
- If the hob is emitting a brief sound without the customer pressing any buttons, please take care of any liquid spills on the HMI. Please dry the HMI and continue using the hob. If the hob has been switched off automatically, it can be caused by a liquid presence on HMI. Please dry the HMI and switch the hob back on.

If after the above checks the fault still occurs, get in touch with the nearest After Sales Service.

AFTER-SALES SERVICE

To receive a more complete assistance, please register your product on www.hotpoint.eu/register.

BEFORE CALLING THE AFTER-SALES SERVICE:

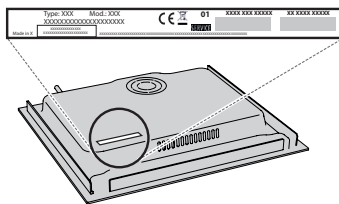
1. See if you can solve the problem by yourself with the help of the **TROUBLESHOOTING** suggestions.
2. Switch the appliance off and back on again to see if the fault persists.

IF AFTER THE ABOVE CHECKS THE FAULT STILL OCCURS, GET IN TOUCH WITH THE NEAREST AFTER-SALES SERVICE.

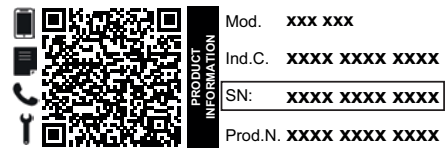
To receive assistance, call the number shown on the warranty booklet or follow the website's instructions on www.hotpoint.eu.

When contacting our Client After sales service, always specify:

- a brief description of the fault;
- the type and exact model of the appliance;



- the serial number (number after the word SN on the rating plate located under the appliance). The serial number is also indicated in the documentation;



- your full address;
- your telephone number.

If any repairs are required, please contact an authorized after-sales service (to guarantee that original spare parts will be used and repairs carried out correctly).

Policies, standard documentation and additional product information can be found by:

- Using QR code in your appliance;
- Visiting our website docs.hotpoint.eu;
- Alternatively, **contact our After-sales Service** (See phone number in the warranty booklet). When contacting our After-sales Service, please state the codes provided on your product's identification plate.



INSTRUCCIONES DE SEGURIDAD

ES IMPORTANTE QUE LEA Y SIGA LAS SIGUIENTES RECOMENDACIONES

Descargue el manual de instrucciones completo en <http://docs.hotpoint.eu> o llame al número de teléfono que se muestra en el folleto de la garantía.

Antes de usar el aparato, lea atentamente estas instrucciones de seguridad. Téngalas a mano para consultarlas más adelante.

Este manual y el propio aparato contienen advertencias de seguridad que se deben leer y seguir en todo momento. El fabricante declina cualquier responsabilidad derivada del incumplimiento de estas instrucciones de seguridad, del uso indebido del aparato o del ajuste incorrecto de los mandos.

⚠ **ADVERTENCIA:** Si la superficie de la placa está agrietada, no utilice el aparato, hay riesgo de descarga eléctrica.

⚠ **ADVERTENCIA:** Peligro de incendio: no deje ningún objeto sobre las superficies de cocción.

⚠ **PRECAUCIÓN:** El proceso de cocción tiene que ser supervisado. Un proceso de cocción corto tiene que ser supervisado continuamente.

⚠ **ADVERTENCIA:** Cocinar con grasa o aceite en una placa sin vigilancia puede resultar peligroso, hay riesgo de incendio. No intente NUNCA apagar un incendio con agua: en lugar de ello, apague el aparato y luego cubra las llamas con una tapa o una manta ignífuga p. ej.

⚠ No utilice la placa como superficie de trabajo o apoyo. Mantenga los paños y otros materiales inflamables alejados del aparato hasta que todos los componentes se hayan enfriado por completo; hay riesgo de incendio.

⚠ Los niños muy pequeños (0-3 años) deben mantenerse alejados del aparato. Los niños pequeños (3-8 años) deben mantenerse alejados del aparato, a menos que estén bajo vigilancia constante. Tanto los niños a partir de 8 años como las personas cuyas capacidades físicas, sensoriales o mentales estén disminuidas o que carezcan de la experiencia y conocimientos necesarios pueden utilizar este aparato si reciben la supervisión o las instrucciones necesarias para utilizarlo de forma segura y comprenden los riesgos a los que se exponen. Los niños no deberán jugar con el aparato. Los niños no deben encargarse de la limpieza y el mantenimiento, a menos que estén supervisados.

⚠ **ADVERTENCIA:** El aparato y las partes accesibles se calientan durante el uso. Es necesario prestar atención para no tocar los elementos calefactores. Mantenga alejados a los niños menores 8 años salvo que sean supervisados continuamente.

USO PERMITIDO

⚠ **PRECAUCIÓN:** El aparato no está diseñado para su uso con un temporizador externo o un sistema de mando a distancia.

⚠ Este aparato está destinado a un uso en ambientes domésticos o en ambientes similares como: áreas de cocina en oficinas, tiendas y otros entornos laborales; granjas; por los clientes de hoteles, moteles y otros entornos residenciales.

⚠ No se admite ningún otro uso (p. ej., calentar habitaciones).

⚠ Este aparato no es para uso profesional. No utilice este aparato al aire libre.

INSTALACIÓN

⚠ La manipulación e instalación del aparato la deben realizar dos o más personas; hay riesgo de lesionarse. Utilice guantes de protección para desembalar e instalar el aparato; hay riesgo de cortarse.

⚠ La instalación, incluido el suministro de agua (si lo hay), las conexiones eléctricas y las reparaciones deben ser efectuadas por un técnico cualificado. No realice reparaciones ni sustituciones de partes del aparato no indicadas específicamente en el manual del usuario. Impida que los niños se acerquen a la zona de la instalación. Tras desembalar el aparato, compruebe que no haya sufrido daños durante el transporte. Si observa algún problema, póngase en contacto con el distribuidor o el Servicio Postventa más cercano. Una vez instalado, los residuos del embalaje (plástico, porexpan, etc.) se deben guardar fuera del alcance de los niños; hay riesgo de asfixia. El aparato debe desconectarse del suministro eléctrico antes de efectuar cualquier operación de instalación; hay riesgo de descarga eléctrica. Durante la instalación, compruebe que el aparato no dañe el cable de alimentación; hay riesgo de descarga eléctrica. No ponga en marcha el aparato hasta que no haya terminado el proceso de instalación.

⚠ Realice todas las operaciones de corte de armarios antes de encostar el aparato y limpie todas las astillas y el serrín.

⚠ Si el aparato no está instalado encima de un horno, debe instalarse un panel separador (no incluido) en el compartimento debajo del aparato.

ADVERTENCIAS SOBRE ELECTRICIDAD


⚠ Debe ser posible desconectar el aparato de la alimentación eléctrica desenchufándolo si el enchufe es accesible o mediante un interruptor omnipolar instalado antes del enchufe, de conformidad con las normativas de cableado y el aparato debe conectarse a una toma de tierra de acuerdo con las normativas de seguridad vigentes en materia de electricidad.


⚠ No utilice alargadores, regletas ni adaptadores. Una vez terminada la instalación, los componentes eléctricos no deberán quedar accesibles para el usuario. No use el aparato si está mojado o va descalzo. No use este aparato si tiene un cable o un enchufe de red dañado, si no funciona bien, o si se ha dañado o se ha caído.

⚠ No se permite la instalación con un enchufe de cable de alimentación, a menos que el producto ya esté equipado con aquel proporcionado por el fabricante.


⚠ Si el cable de alimentación está dañado, sólo debe sustituirlo por otro idéntico por el fabricante, personal cualificado del servicio de asistencia técnica del fabricante o similar para evitar daños; hay riesgo de descarga eléctrica.

LIMPIEZA Y MANTENIMIENTO

 **ADVERTENCIA:** Asegúrese de que el aparato esté apagado y desconectado del suministro eléctrico antes de realizar cualquier operación de mantenimiento; no utilice aparatos de limpieza con vapor, hay riesgo de descarga eléctrica.

 No utilice productos abrasivos o corrosivos, limpiadores con cloro ni estropajos metálicos.

ELIMINACIÓN DEL MATERIAL DE EMBALAJE


El material de embalaje es 100% reciclable y está marcado con el símbolo de reciclaje .

Por lo tanto, deberá desechar las diferentes piezas del embalaje de forma responsable, respetando siempre las normas locales sobre eliminación de residuos.

ELIMINACIÓN DE LOS ELECTRODOMÉSTICOS

Este aparato ha sido fabricado con material reciclable o reutilizable. Debe desecharse de acuerdo con la normativa local al respecto. Para obtener información más detallada sobre el tratamiento, recuperación y reciclaje de aparatos eléctricos domésticos, póngase en contacto con las autoridades locales, con el servicio de recogida de residuos urbanos, o con la tienda en la que adquirió el aparato. Este electrodoméstico lleva el marcado CE de conformidad con la Directiva Europea 2012/19/UE sobre Residuos de Aparatos Eléctricos y Electrónicos (RAEE) y con la normativa de Residuos de Aparatos Eléctricos y Electrónicos de 2013 (modificada).

La correcta eliminación de este producto evita consecuencias negativas para el medio ambiente y la salud.

El símbolo  que se incluye en el aparato o en la documentación que lo acompaña indica que no puede tratarse como un residuo doméstico, sino que debe entregarse en un punto de recogida adecuado para el reciclado de aparatos eléctricos y electrónicos.

CONSEJOS PARA AHORRAR ENERGÍA

Saque el máximo partido al calor residual de su placa apagándola unos minutos antes de terminar de cocinar.

La base de la olla o la sartén debe cubrir la placa por completo; si se utiliza un recipiente más pequeño que la placa, se estará desaprovechando la energía. Tape sus ollas y sartenes con tapas que se ajusten bien mientras cocine y utilice la menor cantidad de agua posible. Cocinar sin tapa incrementa considerablemente el consumo de energía.

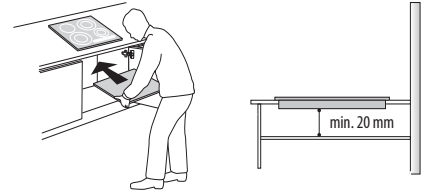
Utilice únicamente ollas y sartenes con base plana.

DECLARACIÓN DE CONFORMIDAD

Este aparato cumple con los requisitos de diseño ecológico del Reglamento europeo n.º 66/2014 y con el Reglamento de diseño ecológico aplicable a los productos relacionados con la energía y el Reglamento sobre la información energética (enmienda) (salida de la UE) de 2019, en cumplimiento con la norma europea EN 60350-2.

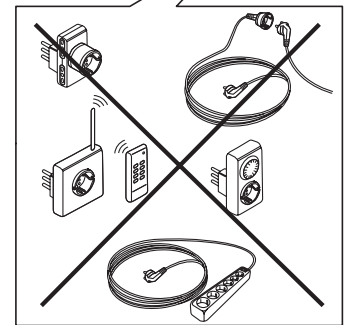
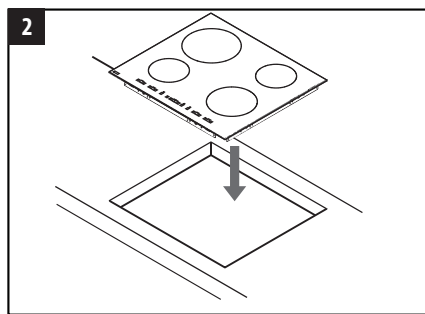
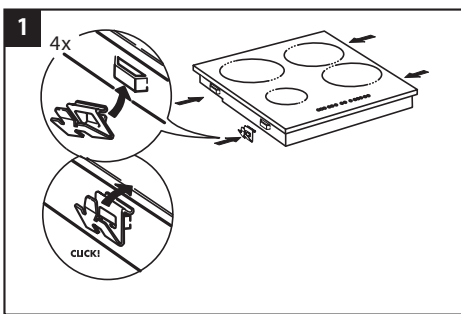
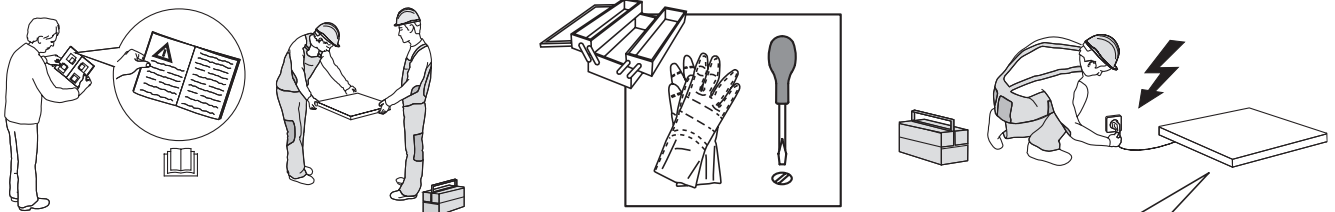
INSTALACIÓN

- La placa de cocción debe colocarse en una encimera de al menos 20 mm de profundidad.
- Es preciso que no haya ningún elemento entre la placa y el horno (carriles transversales, soportes, etc.).
- Asegúrese de que el cable de alimentación es lo suficientemente largo para permitir una instalación cómoda.
- La distancia entre la cara inferior de la placa y el armario o panel de separación debe ser como mínimo de 20 mm.
- Consulte las medidas y la instalación en la ilustración de este apartado.
- Se tiene que mantener una distancia mínima entre la placa y la campana. Consulte el manual del usuario de la campana para más información.
- Aplique la junta suministrada con la placa de cocción (si todavía no está instalada) después de limpiar su superficie.
- **No instale la placa de cocción cerca del lavavajillas ni la lavadora para evitar la exposición de los circuitos electrónicos a vapor o humedad, que podría dañarlos.**
- Si debajo de la placa de cocción hay instalado un horno, asegúrese de que esté equipado con un sistema de refrigeración. Si la temperatura de los circuitos electrónicos supera la temperatura máxima permitida, la placa de cocción se apagará automáticamente; en este caso, espere unos minutos hasta que la temperatura de los circuitos descienda a un nivel aceptable y podrá volver a encender la placa.

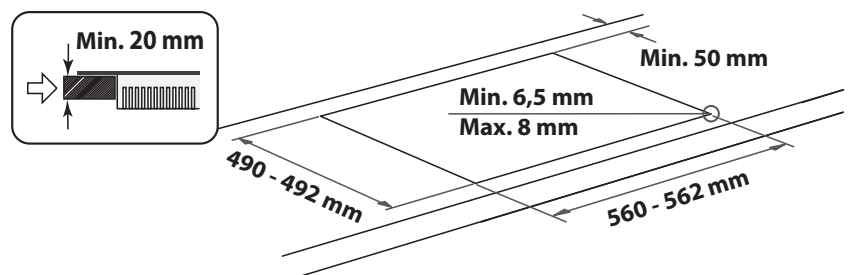
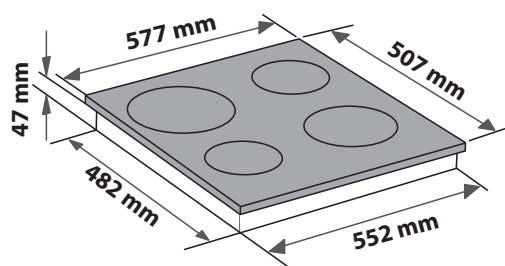
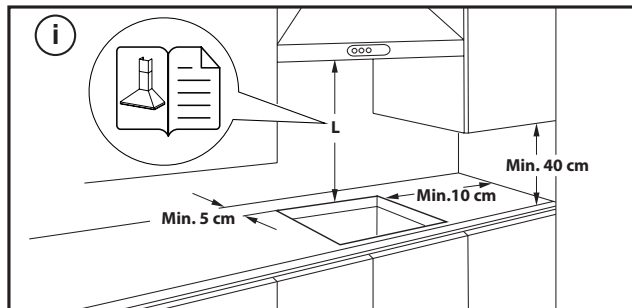


COLOCACIÓN DE LA PLACA

Una vez realizada la conexión eléctrica (consulte el apartado "Conexión eléctrica"), coloque los enganches en las ranuras correspondientes de los laterales de la placa, tal como se muestra en la ilustración. Después, presione la placa para encajarla en el hueco y compruebe que el cristal quede plano y paralelo a la encimera. Los enganches son aptos para todo tipo de encimeras (de madera, de mármol, etc.).



DIMENSIONES Y DISTANCIAS QUE DEBEN RESPETARSE



DESMONTAJE DE LA PLACA:

Para desmontar la placa, primero hay que desconectarla de la red eléctrica. Se recomienda encarecidamente liberar la parte inferior del horno, cajón, separador u otro. Esto permite al técnico acceder a la parte inferior de la placa para soltar los cuatro clips con un destornillador, levantar la placa y retirarla, evitando dañar la encimera.

CONEXIÓN ELÉCTRICA

Las conexiones eléctricas deben realizarse antes de enchufar el aparato a la toma de electricidad.

El cable de alimentación no está incluido en el paquete. Recuerde preparar su propio cable de alimentación.




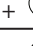
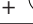
La instalación la debe realizar personal cualificado que conozca la normativa vigente sobre seguridad e instalación. En concreto, la instalación debe llevarse a cabo de acuerdo con la normativa de la compañía eléctrica local.

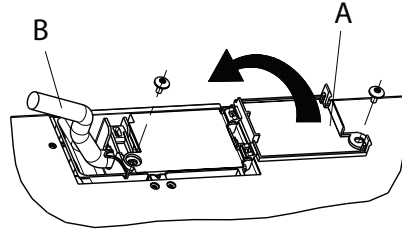
Compruebe que el voltaje especificado en la placa de datos situada en la parte inferior del electrodoméstico es el mismo que para la vivienda.

La puesta a tierra del aparato es obligatoria por ley: utilice exclusivamente conductores (incluido el de tierra) de las medidas apropiadas.

CONEXIÓN AL BLOQUE DE TERMINALES

Para la conexión eléctrica, utilice un cable H05RR-F o H05V2V2-F como se especifica en la tabla siguiente.

TENSIÓN DE ALIMENTACIÓN	CONDUCTORES CANTIDAD x TAMAÑO
220-240V ~+ 	3 x 4 mm ²
230-240V ~+ 	3 x 4 mm ² (sólo para Australia)
220-240V 3~+ 	4 x 1,5 mm ²
380-415V 3N~+ 	5 x 1,5 mm ²
380-425V 2N~+ 	4 x 1,5 mm ²



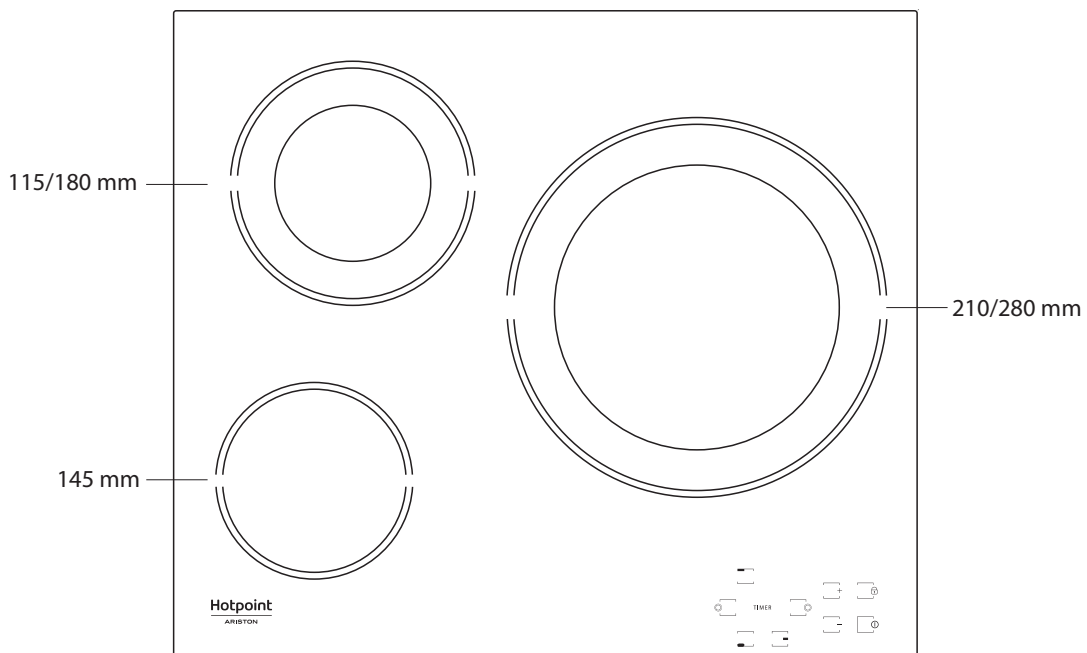
El aparato debe enchufarse a la alimentación mediante un interruptor seccionador multipolar con un espacio de contacto mínimo de 3 mm.

ATENCIÓN: El cable de alimentación debe tener una longitud suficiente para que la placa de cocción pueda retirarse de la encimera, y colocarse de forma que no sufra daños ni esté sometido a calor excesivo causado por el contacto con la base.

NOTA: el hilo de toma de tierra (amarillo/verde) debe conectarse al terminal que tiene el símbolo correspondiente , y ser más largo que el resto de hilos.

- Quite aproximadamente 70 mm de la cubierta del cable del cable de alimentación (B).
- Quite unos 10 mm del recubrimiento protector de los hilos. Inserte el cable de alimentación en la abrazadera y conecte los cables al bloque de terminales, como se indica en el diagrama de cableado situado cerca del propio bloque.
- Fije el cable de alimentación (B) con la abrazadera.
- Cierre la placa de conexiones con la tapa (A) y fíjela con el tornillo.
- Terminada la conexión eléctrica, encaje la placa por la parte superior y fíjela a los resortes de sujeción, como se muestra en la ilustración.

DESCRIPCIÓN DEL PRODUCTO





GRACIAS POR ADQUIRIR UN PRODUCTO WHIRLPOOL
Para recibir una asistencia más completa, registre su producto en www.hotpoint.eu/register.

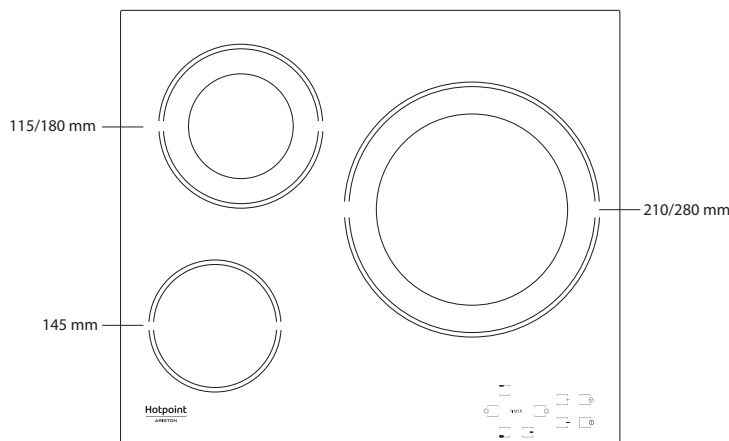


Antes de usar el aparato, lea atentamente las Instrucciones de seguridad.

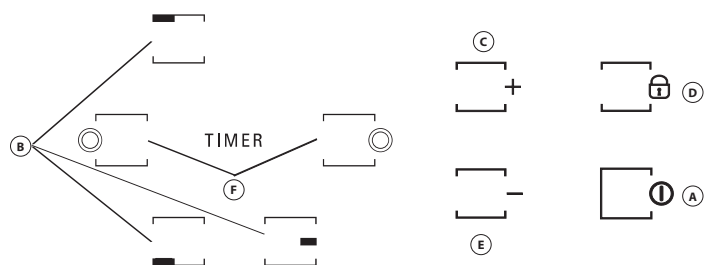
ESCANEE EL CÓDIGO QR DE SU APARATO PARA OBTENER MÁS INFORMACIÓN



DESCRIPCIÓN DEL PRODUCTO



PANEL DE CONTROL



- A** Encendido/Apagado
- B** Selección de zonas de cocción y timer
- C-E** Aumento y disminución del nivel de potencia
- D** Bloqueo de teclas
- F** Activación/desactivación de la zona múltiple

PRIMER USO

Al primer encendido, el panel de mandos hará una prueba funcional de aproximadamente 1 segundo, después de lo cual se pondrá automáticamente en la función "Bloqueo de teclas". Pulsar de modo prolongado la tecla "D" para

desactivar la función; la placa emite una señal acústica y el testigo se apaga.

NOTA: En caso de reset, repetir el procedimiento.

USO DIARIO



ENCENDIDO Y APAGADO DE LA PLACA

Para encender la placa de cocción hay que mantener pulsada la tecla "A" durante 2 segundos. La pantalla de las 4 zonas de cocción muestra "0". Si no se activa una zona de cocción en 20 segundos, la placa de cocción se apaga automáticamente por razones de seguridad.

ENCENDIDO Y AJUSTE DE LAS ZONAS DE COCCIÓN

Pulsar una de las teclas "B" correspondientes a la zona de cocción que se desea utilizar. Seleccionar la potencia de cocción con las teclas "E" o "C". Los niveles de cocción seleccionables van de 1 a 9. Pulsar las teclas "+/-" simultáneamente para cancelar todos los ajustes.

IMPORTANTE: una vez seleccionado el nivel de potencia, el control se desactiva a los 10 segundos.

Para modificar el nivel de potencia, pulsar la tecla de selección "B" y efectuar el ajuste con las teclas "E" o "C".



ZONA MÚLTIPLE

Tras seleccionar la zona deseada y programar el nivel (como se describe en la parte anterior) pulsar la tecla "F"; se enciende un indicador sobre la tecla y se activa la zona adicional.

Es posible utilizar la zona múltiple sólo en los siguientes casos:

- La zona de cocción está provista de zona múltiple;
- El nivel de potencia seleccionado es mayor que 0.

Para desactivar la zona múltiple pulsar la tecla "B" de la zona deseada y pulsar nuevamente la tecla "F".

TIMER

Para programar la función Timer hay que seleccionar la zona de cocción deseada, indicar el nivel de potencia y pulsar nuevamente la tecla de la zona de cocción; se enciende un punto luminoso en la pantalla de la zona que se va a temporizar. En las 2 visualizaciones parpadea "00" pulsar las teclas "C" o "E" para variar el tiempo de 1 a 99.

IMPORTANTE: a los 10 segundos, en las pantallas del temporizador aparece el nivel de potencia de las otras zonas de cocción.

Para ver el tiempo restante, pulsar dos veces la zona de cocción temporizada.

FUNCIÓN A

Esta función permite disminuir automáticamente el nivel de potencia de la zona de cocción desde el valor más alto (nivel 9) hasta el seleccionado por el usuario para una fase posterior de la cocción.

Para activar esta función, pulse primero el botón "+" cuando se alcance el nivel 9. La pantalla muestra "A" y "9" parpadea alternativamente con poco brillo.

En este punto, elija el nivel de potencia deseado (menos de 9) con el botón "-". "A" y el nivel seleccionado parpadean alternativamente con poco brillo en la pantalla.

La función se activa una vez que "A" y el nivel seleccionado parpadean alternativamente con alto brillo en la pantalla.

Una vez que "A" deja de ser visible en la pantalla (la función "A" se desconecta automáticamente después de varios minutos, dependiendo del nivel de potencia ajustado), el proceso de cocción continúa con una potencia menor y la pantalla muestra solo el nivel de potencia seleccionado.

N.B.: esta función no es posible con el nivel 9.



BLOQUEO DE TECLAS

La función Bloqueo de teclas se activa manteniendo pulsada la tecla "D" hasta visualizar un punto luminoso sobre la tecla de función. El panel de control estará bloqueado salvo para hacer uso de la función de apagado. La función permanece activada incluso después de que se haya apagado la placa y se haya encendido de nuevo, y se puede desactivar pulsando de nuevo el botón "D" hasta que se apague el punto de encima del botón de función.

Cuando la placa de cocción está apagada con el bloqueo de teclas activado, para encender la placa de cocción, desactive primero la función de bloqueo de teclas pulsando de nuevo el botón "D" hasta que el punto situado sobre el botón de función se apague.

La presencia de agua, líquidos vertidos de recipientes o cualquier otro objeto sobre los mandos podría activar o desactivar accidentalmente el bloqueo de teclas.



INDICADOR DE CALOR RESIDUAL

Cuando la zona de cocción está apagada, el indicador de calor residual "H" permanece encendido, o parpadea alternando con "0", hasta que la temperatura de la placa desciende a un nivel seguro.

IMPORTANTE: La placa de cocción está equipada con una función de apagado automático. Si se utiliza el mismo nivel de potencia durante mucho tiempo, la zona de cocción se apaga automáticamente (por ejemplo, después de haber funcionado durante una hora al máximo).

IMPORTANTE: Para evitar dañar la placa permanentemente:

- no utilice ollas cuya base no sea plana;
- no utilice ollas con base esmaltada;
- no ponga ollas calientes encima del panel de control.

La placa también tiene la función "Autoapagado" para apagar la zona de cocción si no se hace ninguna modificación del nivel de potencia al cabo de un periodo de tiempo determinado en función del ajuste de potencia. En la tabla se muestra la duración de cada nivel de potencia.

NIVEL DE POTENCIA	TIEMPO DE AUTOAPAGADO
0	30 segundos aproximadamente
1	10 horas
2	5 horas
3	5 horas
4	4 horas
5	3 horas
6	2 horas
7	2 horas
8	2 horas
9	1 hora

TABLA DE COCCIÓN

NIVEL DE POTENCIA		TIPO DE COCCIÓN	NIVEL (la indicación se añade a la experiencia y los hábitos de cocción)
Potencia máxima	9	Ebullición	Ideal para aumentar con rapidez la temperatura para hervir agua o calentar rápidamente líquidos de cocción.
	9-8	Abrasador	Ideal para dorar, comenzar a cocinar, freír productos congelados, hervir rápidamente.
Potencia alta	8-7	Dorar - mantener el hervor - cocinar a la parrilla	Ideal para dorar, mantener el hervor a fuego fuerte, cocinar y asar a la parrilla (duración corta, 5-10 minutos).
	7-6	Freír - cocinar - cocinar a la parrilla	Ideal para mantener el hervor a fuego lento, cocinar y asar a la parrilla (duración media, 10-20 minutos), precalentar y freír.
Potencia media	6-5	Freír suavemente	Ideal para freír huevos, tortillas.
	5-4	Cocer - cocer a fuego lento, guisar	Ideal para cocciones prolongadas (arroz, salsas, carnes, pescados) con líquidos (p. ej. agua, vino, caldo, leche) y para mantecar pasta.
	4-3	Espesar - mantecar pasta	
Potencia baja	2-1	Mantener calientes los alimentos - mantecar risottos	Ideal para mantener calientes los alimentos recién cocinados (por ejemplo, salsas, sopas, minestrone), mantecar risottos y mantener calientes los platos para servir.
Potencia mínima	1	Descongelando	Ideal para descongelar productos pequeños y fundir chocolate o mantequilla.
Potencia cero	0	-	Placa de cocción en posición de stand-by o apagada (posible presencia de calor residual de fin de cocción, señalizado con "H").

LIMPIEZA Y MANTENIMIENTO

⚠ Desconecte el aparato de la red eléctrica.

- No utilice aparatos de limpieza al vapor.
- No utilice esponjas o estropajos abrasivos, ya que podrían dañar el cristal.
- Después de cada uso, limpie la placa (cuando esté fría) para eliminar cualquier resto o mancha de comida.
- El azúcar o los alimentos con alto contenido de azúcar pueden dañar la placa y deben eliminarse inmediatamente.
- La sal, el azúcar y la arena podrían rayar la superficie de cristal.
- Utilice un paño suave, papel de cocina absorbente o un limpiador especial para placas (siga las instrucciones del fabricante).
- El derramamiento de líquidos en las zonas de cocción puede provocar que las ollas se muevan o vibren.
- Después de limpiar la placa, séquela bien.

Hotpoint

ARISTON

RESOLUCIÓN DE PROBLEMAS

Si la placa no funciona bien, antes de llamar al Servicio Postventa, consulte la guía para la solución de problemas para determinar el problema.

- Lea y siga las instrucciones del apartado "Uso diario".
- Compruebe que no se haya interrumpido la alimentación eléctrica.
- Seque completamente la placa después de limpiarla.
- Si se ha seleccionado una zona de cocción y en la pantalla aparece "F" o bien "ER" seguido de un número, póngase en contacto con el Servicio de Asistencia Técnica.
- Si el código de error es "F03", "ER03" o "E02", intente resolverlo siguiendo estas instrucciones:
 - Si aparece el error "E02", asegúrese de que no ha pulsado los botones durante más de 5 segundos, de que no hay ningún objeto en la zona de la HMI y de que está limpia y seca - al limpiar, siga el párrafo "Limpieza y Mantenimiento".
 - Si aparece el error "F03", pruebe a apagar y encender la placa de cocción.
 - Si aparece el error "F04", póngase en contacto con el servicio postventa e indíqueles el código que aparece.

- Si la placa de cocción no funciona después de un uso intensivo, es debido a la elevada temperatura interna de los componentes. Espere unos minutos hasta que descienda la temperatura.
- Si el calentador no está encendido continuamente pero se enciende y apaga cíclicamente aunque, en la pantalla, el nivel de potencia no cambie, esto forma parte del funcionamiento normal de la placa. El ciclo de encendido/apagado permite la regulación de la potencia del calentador y es totalmente normal. En algunos casos, una protección térmica podría apagar el calentador un rato para evitar que el cristal se dañe. Ejemplos de algunos de esos casos: cocinar mucho tiempo a un nivel de potencia alto; usar recipientes más pequeños que la resistencia y bases de recipientes que no sean planos.
- Si la placa de cocción emite un breve sonido sin que el cliente pulse ningún botón, tenga cuidado con cualquier derrame de líquido en la HMI. Por favor, seque la HMI y continúe utilizando la placa. Si la placa se ha apagado automáticamente, puede deberse a la presencia de un líquido en la HMI. Por favor, seque la HMI y vuelva a encender la placa.

Si el fallo persiste después de estas comprobaciones, póngase en contacto con el Servicio de Asistencia Técnica más cercano.

SERVICIO POSTVENTA

Para recibir una asistencia más completa, registre su producto en www.hotpoint.eu/register.

ANTES DE LLAMAR AL SERVICIO POSTVENTA:

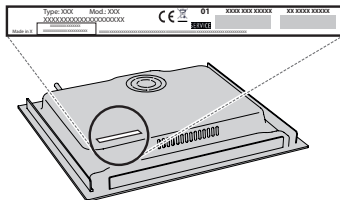
1. Intente resolver el problema consultando las recomendaciones que se ofrecen en la **GUÍA PARA LA SOLUCIÓN DE PROBLEMAS**.
2. Apague el aparato y vuelva a encenderlo para comprobar si se ha solucionado el problema.

SI EL FALLO PERSISTE DESPUÉS DE ESTAS COMPROBACIONES, PÓNGASE EN CONTACTO CON EL SERVICIO POSTVENTA.

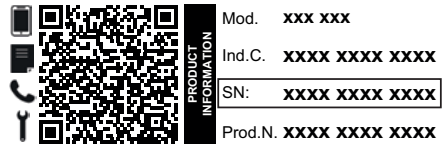
Para recibir asistencia, llame al número que aparece en el folleto de la garantía o siga las instrucciones de la página web www.hotpoint.eu.

Cuando se ponga en contacto con nuestro Servicio Postventa, especifique siempre:

- una breve descripción del problema;
- el tipo y el modelo exacto del aparato;



- el número de serie (el número que se indica tras la palabra SN en la placa de características situada debajo del aparato). El número de serie también se indica en la documentación;



- su dirección completa;
- su número de teléfono.

Si fuera necesaria alguna reparación, póngase en contacto con un Servicio Postventa autorizado (que garantiza el uso de piezas de recambio originales y una reparación correcta).

Puede consultar los reglamentos, la documentación estándar e información adicional sobre productos mediante alguna de las siguientes formas:

- Utilizando el código QR en tu aplicación;
- Visitando nuestro sitio web docs.hotpoint.eu;
- También puede **ponerse en contacto con nuestro Servicio postventa** (Consulte el número de teléfono en el folleto de la garantía). Cuando se ponga en contacto con nuestro Servicio Postventa, deberá indicar los códigos que figuran en la placa de características de su producto.



ИНСТРУКЦИИ ЗА БЕЗОПАСНОСТ

Изтеглете пълното ръководство с инструкции от <http://docs.hotpoint.eu> или се обадете на номера, посочен на книжката за гаранцията.

Преди използването на уреда прочетете внимателно тези указания за безопасност. Дръжте ги на удобно място за бъдещи справки.

В тези указания и на самия уред са представени важни предупреждения за безопасността, които трябва да се прочетат и да се съблюдават винаги. Производителят отказва всякаква отговорност при неспазване на тези указания за безопасността, във връзка с неподходяща употреба на уреда или неправилна настройка на органите за управление.

⚠ ПРЕДУПРЕЖДЕНИЕ: Ако повърхността на плочата за готвене е напукана, не използвайте уреда - опасност от електрически удар.

⚠ ПРЕДУПРЕЖДЕНИЕ: Опасност от пожар: не поставяйте предмети по готварските повърхности.

⚠ ВНИМАНИЕ: Процесът на готвене трябва да се наблюдава. Краткотрайните процеси на готвене трябва да се наблюдават постоянно.

⚠ ПРЕДУПРЕЖДЕНИЕ: Готвенето на плочата на храни с мазнина или олио без наблюдение може да се окаже опасно и да доведе до пожар. НИКОГА не опитвайте да потушите пламъците с вода: вместо това изключете уреда и покрийте пламъка с капак или огнеупорно одеяло.

⚠ Не използвайте плочата като работен плот или поставка. Пазете дрехите и други запалими материали далеч от уреда, докато всички негови компоненти изстинат напълно - опасност от пожар.

⚠ Много малки деца (0-3 год.) трябва да стоят далеч от уреда. Малки деца (3-8 год.) трябва да стоят далеч от уреда, освен ако не са под постоянно наблюдение. Този уред може да се използва от деца на 8 години и по-големи, както и от лица с ограничени физически, сетивни или умствени възможности или с недостатъчен опит и познания само ако са под надзор или са им дадени инструкции за употребата на уреда побезопасен начини разбират възможните опасности. Децата не трябва да си играят с уреда. Почистването и поддръжката от потребителя не трябва да се извършва от деца без надзор.

⚠ ПРЕДУПРЕЖДЕНИЕ: Уредът и откритите му части се нагорещават по време на работа. Внимавайте да не докосвате нагревателните елементи. Децата под 8-годишна възраст трябва да се пазят далеч от уреда, ако не се наблюдават непрекъснато.

ПОЗВОЛЕНА УПОТРЕБА

⚠ ВНИМАНИЕ: уредът не е предназначен за управление с външен таймер или отделна система с дистанционно управление.

⚠ Този уред е предназначен за употреба в домашни условия и подобни приложения, като: кухни за

служители в магазини, офиси и други работни среди; в стопанства; от клиенти в хотели, мотели и други места за настаняване.

⚠ Не е позволено използване за никакви други цели (например за отопление на помещения).

⚠ Този уред не е предназначен за професионална употреба. Не използвайте този уред на открито.

МОНТИРАНЕ

⚠ Боравенето и монтажът на уреда трябва да се извършват от две или повече лица - съществува опасност от нараняване. Използвайте предпазни ръкавици за разопаковането и монтажа на уреда - съществува опасност от порязвания.

⚠ Монтирането, включително подаването на вода (ако е приложимо) и електрическото свързване и ремонтните дейности трябва да се извършват от квалифициран техник. Не поправяйте и не заменяйте части от уреда, ако това не е изрично посочено в ръководството за потребителя. Пазете децата далеч от мястото, където се извършва монтажът. След като разопаковате уреда, проверете дали не е повреден по време на транспортирането. В случай на проблеми се обърнете към търговеца, от който сте закупили уреда, или към най-близкия сервиз за следпродажбено обслужване. След монтажа всички отпадъци от опаковките (пластмаса, стиропор и др.) трябва да се съхраняват далеч от обсега на деца - съществува опасност от задушаване. Уредът трябва да бъде изключен от захранването преди монтажа - опасност от електрически удар. По време на монтажа внимавайте уредът да не повреди захранващия кабел - опасност от електрически удар. Активирайте уреда едва след завършване на монтажа.


⚠ Извършете всички работи по изрязването на шкафа, преди да поставите фурната в нишата, и след това отстранете всички дървени отломки и стърготини.


⚠ Ако уредът не е монтиран над фурна, трябва да се постави разделителен панел (не е включен) в нишата под уреда.

ПРЕДУПРЕЖДЕНИЯ ОТНОСНО ЕЛЕКТРОЗАХРАНВАНЕТО


⚠ Трябва да е възможно уредът да се изключи от захранването чрез изваждане на щепсела, ако е достъпен, или чрез достъпен многополюсен превключвател, монтиран след контакта, както и уредът да е заземен в съответствие с националните стандарти за електрическа безопасност.


⚠ Не използвайте удължители, разклонители с няколко гнезда или адаптери. След инсталирането електрическите компоненти трябва да бъдат достъпни за потребителя. Не използвайте уреда, когато сте с мокри или боси крака. Не използвайте този уред, ако захранващият му кабел или щепсел е повреден, ако не работи правилно или ако е бил повреден или е паднал.

 Инсталирането с използване на захранващ кабел с щепсел не се разрешава, освен ако уредът оригинално не е вече оборудван с такъв от производителя.


 Ако захранващият кабел е повреден, той трябва да се смени от производителя, негов сервизен агент или лице с аналогична квалификация, за да се избегне опасна ситуация, например електрически удар.

ПОЧИСТВАНЕ И ПОДДРЪЖКА

 **ПРЕДУПРЕЖДЕНИЕ:** Преди извършване на каквато и да било дейност по поддръжката на уреда, се уверете, че той е изключен и не е свързан към захранването; никога не използвайте уреди за почистване с пара - опасност от електрически удар.

 Не използвайте абразивни или корозивни препарати, препарати на хлорна основа или стоманена вълна.

ИЗХВЪРЛЯНЕ НА ОПАКОВЪЧНИТЕ МАТЕРИАЛИ



Опаковъчният материал е 100% годен за рециклиране и е маркиран със символа за рециклиране .

Различните опаковъчни материали трябва да бъдат изхвърлени отговорно и в съответствие с наредбите на местните органи за изхвърляне на отпадъци.

ИЗХВЪРЛЯНЕ НА ЕЛЕКТРОУРЕДИ

Този уред е произведен с материали, годни за рециклиране или за повторно използване. При изхвърлянето му спазвайте местните разпоредби за изхвърляне на отпадъци. За допълнително информация относно третирането, оползотворяването и рециклирането на домакински електроуреди се обърнете към компетентните местни органи, службата за битови отпадъци или магазина, откъдето сте закупили уреда. Този уред е маркиран в съответствие с Европейска директива 2012/19/ЕС, Отпадъчно електрическо и електронно оборудване (WEEE) и с правилата за отпадъчно електрическо и електронно оборудване от 2013 г. (с измененията).

Като се погрижите продуктът да бъде изхвърлен по правилен начин, Вие ще помогнете за предотвратяване на възможните негативни последици за околната среда и здравето на хората.

 Символът  върху уреда или придружаващата го документация показва, че този уред не трябва да се третира като битов отпадък, а да бъде предаден в съответния събирателен пункт, предназначен за рециклиране на електрическа и електронна апаратура.

СЪВЕТИ ЗА ИКОНОМИЯ НА ЕНЕРГИЯ

Възползвайте се максимално от остатъчната топлина на котлона, като я изключите няколко минути, преди да сте завършили готвенето.

Основата на Вашата тенджера или тиган трябва изцяло да покрива котлона; използването на съд, чиято площ е по-малка от тази на котлона, ще доведе до загуба на енергия.

По време на готвене покривайте тенджерите и тиганите с подходящи капаци и използвайте възможно най-малко вода. Готвенето без капак ще увеличи значително потреблението на енергия.

Използвайте само тенджери и тигани с плоско дъно.

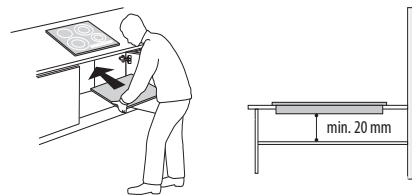
ДЕКЛАРАЦИЯ ЗА СЪОТВЕТСТВИЕ

Този уред отговаря на изискванията за екодизайн на Европейски регламент 66/2014 и Регламенти за екодизайн за енергийни продукти и енергийна информация (изменение) (ЕС изход) 2019, в съответствие с Европейски стандарт EN 60350-2.



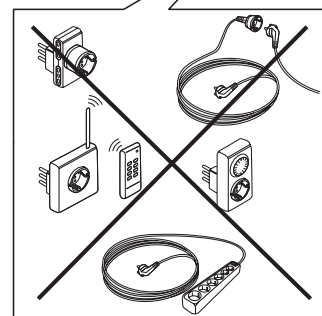
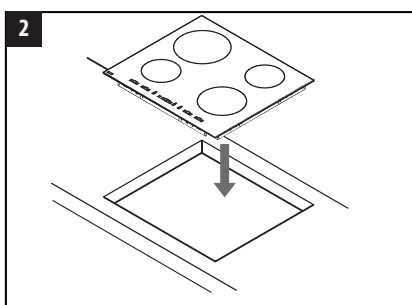
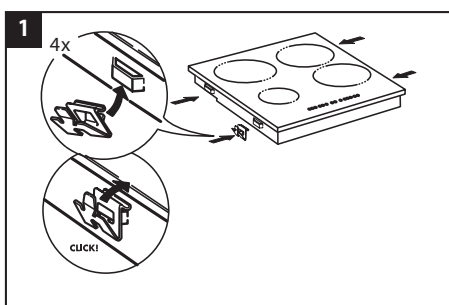
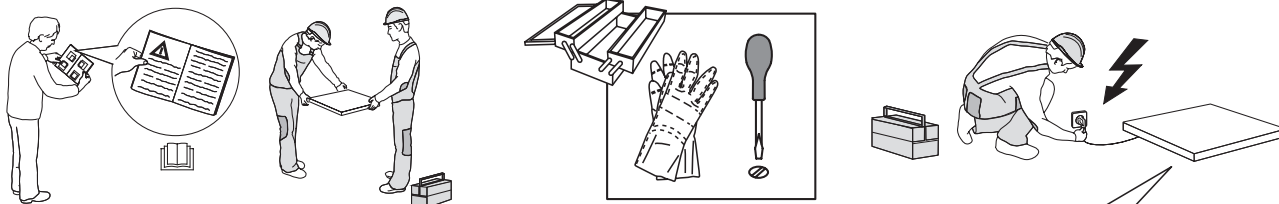
МОНТИРАНЕ

- Плотът за готвене трябва да бъде поставен в работен плот с дебелина най-малко 20 мм.
- В пространството между плота и кухнята не трябва да има нищо (напречни релси, носачи и др.).
- Уверете се, че захранващият кабел е достатъчно дълъг, за да позволи удобно инсталиране.
- Разстоянието между долната повърхност на стъклокерамичния плот и шкафа или разделящата плоскост трябва да бъде поне 20 мм.
- За размерите и монтажа на уреда за вграждане вижте изображението в този раздел.
- Между готварския плот и аспиратора над него трябва да се поддържа минимално разстояние. За допълнителна информация вижте ръководството за потребителя на аспиратора.
- След като сте почистили повърхността на плота, поставете доставения в комплекта уплътнител (освен ако той вече не е бил поставен).
- **Не монтирайте плот за готвене над съдомиялна или перална машина така, че електронните вериги да не влизат в контакт с пара или влага, които могат да ги повредят.**
- Ако фурна бъде монтирана под готварски плот, се уверете, че тя разполага със система за охлаждане. Ако температурата на електронните вериги превиши максимално допустимата температура, готварският плот ще се изключи автоматично; в този случай изчакайте няколко минути, докато вътрешната температура на електронните вериги достигне нормално ниво, като в този момент ще бъде възможно отново да включите плота.

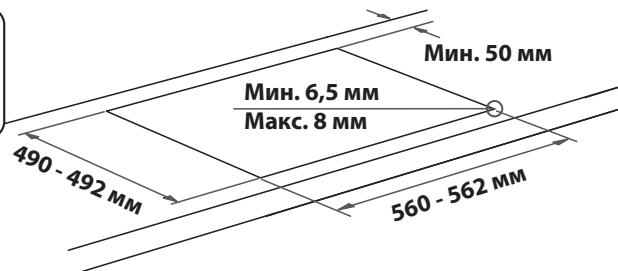
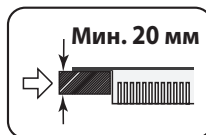
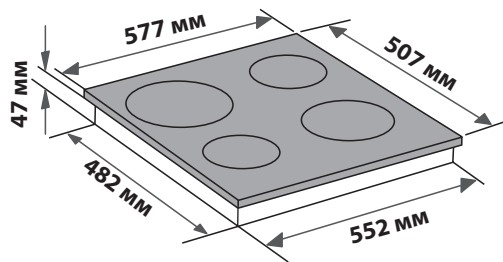
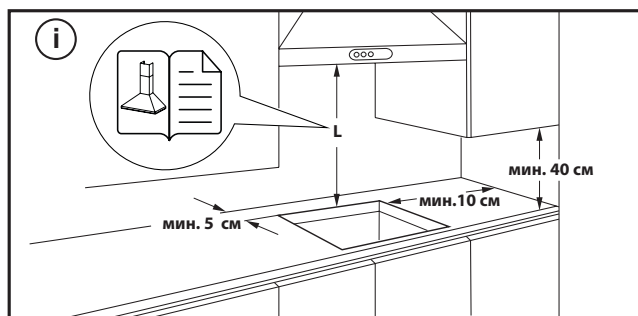


ПОСТАВЯНЕ НА ПЛОТА

След извършване на електрическите връзки (вижте глава "Свързване към електрическата мрежа"), поставете всяка от захващащите скоби на съответните места от страни на плота, както е показано на изображението. След това вкарайте плота на мястото му и се уверете, че стъклото е плоско и успоредно спрямо кухненския плот. Захващащите скоби са подходящи за всеки вид материал за кухненски плотове (дърво, мрамор и др.).



РАЗМЕРИ И РАЗСТОЯНИЯ, КОИТО ДА СЕ ПОДДЪРЖАТ



СВАЛЯНЕ НА КОТЛОНА (ПЛОТА):

За да свалите котлона, първо го изключете от електрическото захранване. Настоятелно се препоръчва да освободите долната част от фурната, чекмеджето, сепаратора или други части. Тя позволява на техника достъп до долната част на котлона, за да разкопчае четирите скоби с отвертка, да повдигне котлона и да го свали, без да го повреди.

СВЪРЗВАНЕ КЪМ ЕЛЕКТРИЧЕСКАТА МРЕЖА

Електрическите свързвания трябва да се извършат преди свързването на уреда към електрическата мрежа.

Захранващият кабел не е включен в пакета - не забравяйте да подготвите свой собствен захранващ кабел.

Монтирането трябва да се извърши от квалифициран персонал, запознат с текущите нормативни разпоредби относно безопасността и монтирането. Особено важно е монтажът да се извърши в съответствие с наредбите на местната електроснабдителна компания.

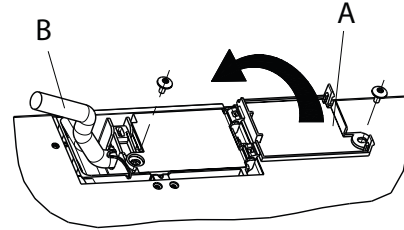
Уверете се, че напрежението, указано на табелката с номиналните данни, намираща се в долната част на уреда, е същото като това в дома Ви.

Заземяването на уреда е задължително по закон: използвайте проводници (включително заземяващия проводник) само с подходящ размер.

СВЪРЗВАНЕ КЪМ КЛЕМНИЯ БЛОК

За свързване към електрическата мрежа използвайте кабел тип H05RR-F или H05V2V2-F, както е посочено в таблицата по-долу.

ЗАХРАНВАЩО НАПРЕЖЕНИЕ	ПРОВОДНИЦИ БРОЙ x РАЗМЕР
220-240V ~+ ⊕	3 x 4 мм ²
230-240V ~+ ⊕	3 x 4 мм ² (само за Австралия)
220-240V 3~+ ⊕	4 x 1,5 мм ²
380-415V 3N~+ ⊕	5 x 1,5 мм ²
380-425V 2N~+ ⊕	4 x 1,5 мм ²



Свържете уреда към електрозахранването посредством прекъсвач за всички полюси с минимална междина на контактите 3 mm.

ВНИМАНИЕ: захранващият кабел трябва да бъде достатъчно дълъг, за да може готварският плот да се извади от кухненския плот, и трябва да се постави така, че да се избегне повреждането или нагряването му при влизане в контакт с основата.

ЗАБЕЛЕЖКА: жълтият/зеленият заземяващ проводник трябва да бъде свързан към клемата със символ ⊕ и трябва да бъде по-дълъг от останалите проводници.

- Отстранете около 70 mm от обвивката на захранващия кабел (B).
- Отстранете около 10 mm от обвивката от проводниците. Вкарайте захранващия кабел в кабелната скоба и свържете проводниците към клемното табло, както е показано на схемата до самото клемно табло.
- Обезопасете захранващия кабел (B) със скобата за кабела.
- Затворете капака на клемното табло (A) и го обезопасете с предоставения винт.
- След извършване на електрическите връзки поставете плота за готвене отгоре и го окачете на опорните пружини, както е показано на илюстрацията.



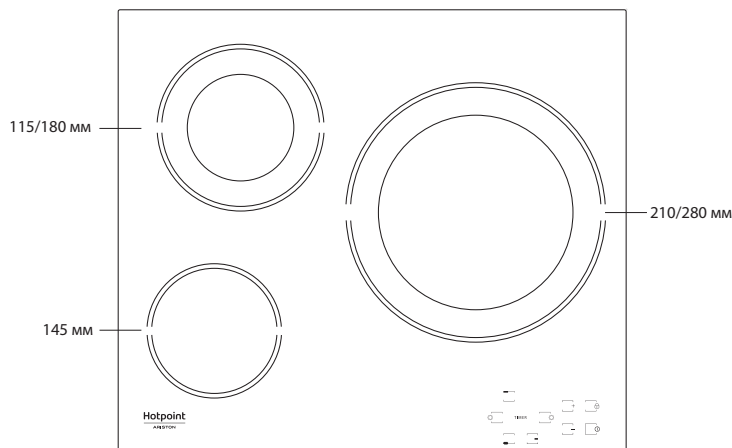
БЛАГОДАРИМ ВИ, ЧЕ ЗАКУПИХТЕ ПРОДУКТ НА WHIRLPOOL
За да получавате по-пълно съдействие, моля, регистрирайте
вашия продукт на www.hotpoint.eu/register.

**МОЛЯ, СКАНИРАЙТЕ QR КОДА НА
ВАШИЯ УРЕД, ЗА ДА ПОЛУЧИТЕ
ПОВЕЧЕ ИНФОРМАЦИЯ**

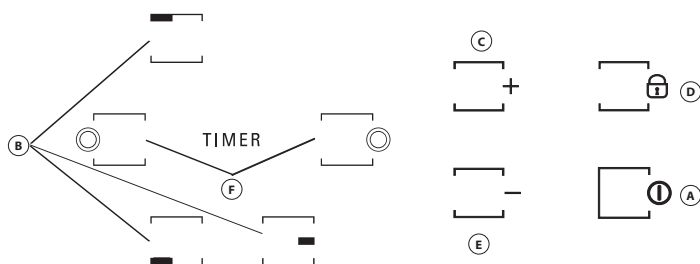


**Преди да използвате уреда, прочетете внимателно
инструкциите за безопасност.**

ОПИСАНИЕ НА ИЗДЕЛИЕТО



ПАНЕЛ ЗА УПРАВЛЕНИЕ



- A** Включване/изключване
- B** Избор на зони за готвене и таймер
- C-E** Увеличаване и намаляване нивото на мощността
- D** Бутон за блокиране на плочата
- F** Избор/Отмяна на избор на мулти зона

ИЗПОЛЗВАНЕ ЗА ПРЪВ ПЪТ

При монтиране за първи път контролният панел извършва функционален тест за около 1 секунда, след който автоматично се включва функцията "Заклучване на бутоните".

За да деактивирате функцията, натиснете и задръжте бутона "D"; ще

прозвучи звуков сигнал и съответната светодиодна лампичка ще се изключи.

ЗАБЕЛЕЖКА: В случай на пренастройване повторете процедурата, описана по-горе.

ВСЕКИДНЕВНА УПОТРЕБА



ВКЛЮЧВАНЕ/ИЗКЛЮЧВАНЕ НА ПЛОЧАТА ЗА ГОТВЕНЕ

За да включите плочата за готвене, задръжте натиснат бутона "A" за около 2 секунди. На дисплеите на 4-те зони за готвене се показва "0". Ако в рамките на 20 секунди не се активира никоя от зоните за готвене, плочата за готвене се изключва автоматично като предпазна мярка.

АКТИВИРАНЕ И РЕГУЛИРАНЕ НА ЗОНИТЕ НА ГОТВЕНЕ

Натиснете един от бутоните "B", съответстващ на зоната за готвене, която възнамерявате да използвате. Изберете необходимата настройка на топлината с бутоните "E" или "C". Другите избираеми настройки за готвене са в диапазона от 1 до 9. Натиснете едновременно бутоните "+/-" за отмяна на всички настройки.

ВАЖНО: контролата се деактивира 10 секунди след избиране на настройката за топлината.

За да промените настройката за топлината, първо натиснете отново бутона за избиране "B", след което продължете с промяната на настройката, като използвате бутоните "E" или "C".



МНОЖЕСТВЕНА ЗОНА

След като изберете необходимата зона и зададете нивото (както е описано в предходния раздел), натиснете "F": индикатор над бутона се включва, активирайки допълнителната зона.

Множествената зона може да се използва само ако:

- Зоната за готвене разполага с множествена зона;
- Избраното ниво на мощност е по-голямо от 0.

За да деактивирате множествената зона, натиснете бутона "B" на избраната зона, след което натиснете отново "F".

ТАЙМЕР

За да зададете функцията за таймера, изберете необходимата зона за готвене и настройката на мощността, след което натиснете отново бутона на зоната за готвене и на дисплея на контролираната с таймера зона ще се покаже светеща точка. На 2-та дисплея премигва "00". Натиснете бутоните "С" или "Е", за да зададете времето от 1 до 99.

ВАЖНО: след 10 секунди на дисплея на таймера ще се покаже настройката на мощността на другите зони за готвене.

За да видите оставащото време на готвене, натиснете двукратно бутона на контролираната с таймера зона за готвене.

ФУНКЦИЯ "А"

Тази функция позволява автоматично намаляване на нивото на мощност на зоната за готвене от най-високата стойност (ниво 9) до избраната от потребителя за по-късен етап на готвене.

За да активирате тази функция, първо натиснете бутона "+", когато достигнете ниво 9.

Дисплеят показва "А" и "9" мига последователно с ниска яркост.

В този момент изберете желаното ниво на мощност (по-малко от 9) с бутона "-".

"А" и избраното ниво мигат последователно с ниска яркост на дисплея. Функцията се активира, след като "А" и избраното ниво започнат да мигат последователно с висока яркост на дисплея.

След като "А" вече не се вижда на дисплея (функцията "А" се изключва автоматично след няколко минути в зависимост от зададеното ниво на мощност), процесът на готвене продължава с по-ниска мощност и дисплеят показва само избраното ниво на мощност.

ВНИМАНИЕ: тази функция не е възможна при ниво 9.



ЗАКЛЮЧВАНЕ НА БУТОНИТЕ

Функцията Закл. на бутоните се включва чрез натискане и задържане на бутона "D", докато над бутона на функцията светне точка. Панелът за управление е заключен, с изключение на функцията за изключване. Функцията остава включена дори след изключване и повторно включване на плочата за готвене и може да се деактивира, като се натисне отново бутонът "D", докато точката над бутона на функцията изгасне.

Когато плотът е изключен с активирано заключване на бутоните, за да включите плочата, първо деактивирайте функцията за заключване на бутоните, като натиснете отново бутон "D", докато изгасне точката над функционалния бутон.

ТАБЛИЦА ЗА ГОТВЕНЕ

НИВО НА МОЩНОСТТА		ВИД ГОТВЕНЕ	НИВО НА ИЗПОЛЗВАНЕ (индикация за подпомагане на опита и навиците при готвене)
Максимална мощност	9	Завиране	Подходящо за бързо увеличаване на температурата на храните за бързо завиране, ако се касае за вода, или бързо загряване на течности за готвене.
	9-8	Изсушаване	Идеално за запичане, започване на готвене, пържене на замразени продукти, бързо кипване.
Висока мощност	8-7	Запичане – поддържане на варенето - печене	Идеално за запичане, поддържане на високо ниво на варене, готвене и печене (кратковременно, 5-10 минути).
	7-6	Пържене – готвене – печене	Идеално за поддържане на ниско ниво на варене, готвене и печене (със средна продължителност, 10-20 минути), предварително загряване и пържене.
Средна мощност	6-5	Леко пържене	Идеално за пържене на яйца, омлети.
	5-4	Готвене – изсушаване – задушаване	Идеално за продължително готвене (ориз, сосове, печено, риба) с наличие на течности (напр. вода, вино, бульон, мляко), размесване на макаронени изделия.
	4-3	Сгъстяване - размесване на макаронени изделия	
Ниска мощност	2-1	Поддържане на храната гореща – размесване на ризото	Идеално за поддържане на току-що приготвена храна гореща (например сосове, супи, минестроне), размесване на ризото и поддържане на ястията за поднасяне топли.
Минимална мощност	1	Размразяване	Идеално за размразяване на продукти с малки размери и леко разтопяване на шоколад или краве масло.
Мощност нула	0	-	Готварският плот е в режим на готовност или е изключен (възможно е да е горещ след готвене, за което сигнализира символът "H").

Наличието на вода, течност, разлята от тенджери или други предмети, които лежат върху органите за управление, може случайно да активира или дезактивира заключването на бутоните.

H ИНДИКАТОР ЗА ОСТАТЪЧНА ТОПЛИН

Когато зоната за готвене се изключи, индикаторът за остатъчна топлина "H" остава включен или премигва, редувайки се с "0", докато температурата на плочата за готвене се върне в рамките на безопасните нива.

ВАЖНО: Характеристиките за безопасност на плочата за готвене включват функция за автоматично изключване. Продължителното използване на същата настройка за топлина задейства автоматично изключване на зоната за готвене (например след около 1 час при максималната настройка на топлината зоната за готвене се изключва).

ВАЖНО: За да избегнете необратими повреди на плота:

- използвайте само съдове с плоски дъна;
- не използвайте метални съдове с емайлирани дъна;
- не поставяйте горещи тенджери или тигани над контролния панел.

Котлонът е оборудван и с функцията "auto shut off" (автоматично изключване), която изключва зоната за готвене, ако не се направи промяна на нивото на мощност след определен период от време в зависимост от самата настройка на мощността. В таблицата е дадено времетраенето за всяко ниво на мощност.

НИВО НА МОЩНОСТ	ВРЕМЕ ЗА АВТОМАТИЧНО ИЗКЛЮЧВАНЕ
0	30 секунди
1	10 часа
2	5 часа
3	5 часа
4	4 часа
5	3 часа
6	2 часа
7	2 часа
8	2 часа
9	1 час

ПОЧИСТВАНЕ И ПОДДРЪЖКА

⚠ Изключете уреда от електрозахранването.

- Не използвайте уреди за почистване с пара.
- Не използвайте абразивни гъби или тел, тъй като може да повредите стъклото.
- След всяко използване почиствайте готварския плот (когато изстине), за да отстраните остатъците и петната, дължащи се на останки от храни.
- Захар или храни с високо съдържание на захар могат да повредят

готварския плот и трябва да се отстраняват незабавно.

- Солта, захарта и пясъкът могат да надраскат стъклената повърхност.
- Използвайте мека кърпа, попиваща кухненска салфетка или специален почистващ препарат за готварски плотове (спазвайте инструкциите на производителя).
- При разливане на течност върху нагревателна зона съдовете може да започнат да се преместват или да вибрират.
- Подсушавайте добре повърхността на плота след почистването ѝ.

ОТСТРАНЯВАНЕ НА НЕИЗПРАВНОСТИ

Ако готварският плот не работи като трябва, преди да позвъните на отдела за следпродажбено сервизно обслужване, вижте ръководството за отстраняване на неизправности, за да установите проблема.

- Прочетете и следвайте инструкциите, дадени в раздел "Всекидневна употреба".
- Проверете дали има напрежение в електрическата мрежа.
- Подсушете ли плочата след почистването ѝ.
- Ако е избрана зона за готвене и на дисплея се появи "F" или "ER", последвано от число, се свържете със сервиза за следпродажбено обслужване и ги информирайте.
- Ако кодът за грешка е "F03", "ER03" или "E02", се опитайте да решите проблема, като използвате следните указания:
 - Ако се появи грешка "E02", моля, уверете се, че не сте натискали бутоните за повече от 5 секунди, няма предмет в областта на панела за управление и че той е чист и сух – когато почиствате, моля, следвайте указанията в параграфа за почистване и поддръжка.
 - Ако се появи грешка "F03", се опитайте да изключите и отново да включите котлона.
 - Ако се появи грешка "F04", се свържете със сервиза за следпродажбено обслужване и ги информирайте кой код се е появил на дисплея.

- Ако плочата за готвене не работи след интензивно използване, то вътрешната температура на плочата е твърде висока. Изчакайте няколко минути, докато плочата за готвене се охлади.
- Ако нагревателят не е включен непрекъснато, а се включва и изключва циклично, дори ако на дисплея нивото на мощността не се променя, това е част от нормалното функциониране на плота. Цикълът на включване/изключване позволява регулиране на мощността на нагревателя и е напълно нормален. В някои случаи термичната защита може да изключи нагревателя за известно време, за да се избегне повреждане на стъклото. Примери за такива случаи са: готвене дълго време на висока мощност, като използвате тенджери, по-малки от нагревателния елемент, както и тенджери с неплоско дъно.
- Ако плотът издава кратък звук, без клиентът да натиска бутони, моля, внимавайте за разливане на течност върху панела за управление. Моля, подсушете панела за управление и продължете използването на котлона. Ако плотът е изключен автоматично, това може да се дължи на наличие на течност в панела за управление. Моля, подсушете панела за управление и включете котлона отново.

Ако след извършване на горепосочените проверки неизправността все още продължава, свържете се с най-близкия отдел за следпродажбено обслужване.

СЛЕДПРОДАЖБЕНО ОБСЛУЖВАНЕ

За да получавате по-пълно съдействие, регистрирайте Вашия уред на www.hotpoint.eu/register.

ПРЕДИ ДА СЕ ОБАДИТЕ НА ОТДЕЛА ЗА СЛЕДПРОДАЖБЕНО ОБСЛУЖВАНЕ:

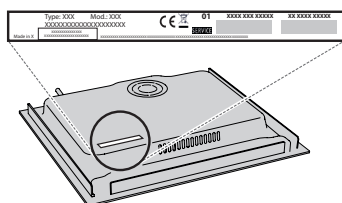
1. Проверете дали можете да отстраните сами проблема с помощта на предложенията, дадени в раздела **ОТСТРАНЯВАНЕ НА НЕИЗПРАВНОСТИ**.
2. Изключете уреда и го включете отново, за да проверите дали неизправността е отстранена.

АКО СЛЕД ИЗВЪРШВАНЕ НА ГОРЕПОСОЧЕНИТЕ ПРОВЕРКИ НЕИЗПРАВНОСТТА ВСЕ ОЩЕ НЕ Е ОТСТРАНЕНА, СВЪРЖЕТЕ СЕ С НАЙ-БЛИЗКИЯ ОТДЕЛ ЗА СЛЕДПРОДАЖБЕНО ОБСЛУЖВАНЕ.

За да получите съдействие, се обадете на номера, написан на книжката за гаранция, или следвайте инструкциите на уебсайта www.hotpoint.eu.

Когато се свържете с отдела за следпродажбено обслужване, винаги посочвайте:

- кратко описание на неизправността;
- точния тип и модел на уреда;



- сериен номер (номерът след думата SN на табелката с номинални данни, разположена под уреда). Сериенният номер е посочен също и в документацията;



- Вашия пълен адрес;
- Вашия телефонен номер.

Ако се налагат някакви поправки, моля, свържете се с оторизиран отдел за следпродажбено обслужване (за да бъдете сигурни, че ще бъдат използвани оригинални резервни части и поправките ще бъдат извършени правилно).

Фирмените политики, стандартната документация и допълнителна информация за уреда можете да намерите, като:

- Използвайте QR кода на вашето устройство;
- Посетите нашия уебсайт docs.hotpoint.eu;
- Или като се свържете с отдела за следпродажбено обслужване (вижте телефонния номер в гаранционната книжка). При контакт с отдела за следпродажбено обслужване съобщавайте кодовете, посочени на идентификационната табелка на вашия уред.

