

Instructions for use
Instrucciones de uso



ENGLISH

Instructions for use

Page 3

ESPAÑOL

Instrucciones de uso

Página 12

INDEX

Chapter 1: INSTALLATION	4
1.1. INSTALLING SINGLE APPLIANCE	4
1.2. INSTALLING TWO APPLIANCES	4
1.3. ADJUST DOORS (IF AVAILABLE)	4
Chapter 2: FUNCTIONS	5
2.1. ON/STAND BY	5
2.2. SMART DISPLAY*	5
2.3. DOOR OPEN ALARM	5
2.4. VACATION	5
2.5. FAST COOL	5
2.6. ZERO DEGREES DRAWER*	6
2.7. FAN	6
2.8. TEMPERATURE SETTING	6
2.9. NO-FROST REFRIGERATOR COMPARTMENT	6
2.10. LED LIGHT SYSTEM*	7
2.11. HUMIDITY CONTROLLED CRISPER*	7
Chapter 3: USE	7
3.1. HOW TO INCREASE FRIDGE STORAGE CAPACITY	7
3.2. NOTES	7
Chapter 4: FOOD-STORAGE TIPS	7
4.1. AIR VENTILATION	7
4.2. HOW TO STORE FRESH FOOD AND BEVERAGE	7
4.3. WHERE TO STORE FRESH FOOD AND BEVERAGE	8
Chapter 5: FUNCTIONAL SOUNDS	8
Chapter 6: RECOMMENDATION IN CASE OF NO USE OF THE APPLIANCE	9
6.1. ABSENCE / VACATION	9
6.2. MOVING	9
6.3. POWER FAILURE	9
Chapter 7: MAINTENANCE AND CLEANING	9
Chapter 8: TROUBLESHOOTING GUIDE	10
8.1. BEFORE CONTACTING AFTER-SALES SERVICE	10
8.2. FAILURES	10
Chapter 9: AFTER-SALES SERVICE	11
Others:	
REVERSE DOOR SWING (VERSION_1).....	21
REVERSE DOOR SWING (VERSION_2).....	23

NOTE:

The instructions apply to several models, so there may be differences. Sections which only apply to certain appliances are indicated with an asterisk (*). Functions which are dedicated specially for your already bought model of product you will find in QUICK START GUIDE.

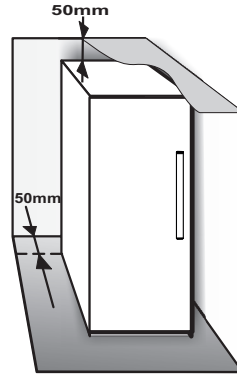
1. INSTALLATION

1.1. INSTALLING SINGLE APPLIANCE

To guarantee adequate ventilation, leave a space on both sides and above the appliance.

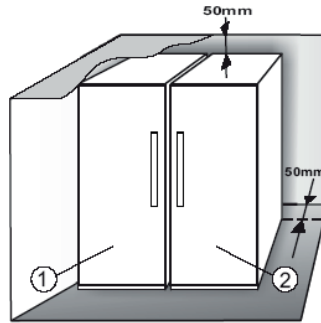
The distance between the rear of the appliance and the wall behind the appliance should be at least 50mm.

A reduction of this space will increase the Energy consumption of product.

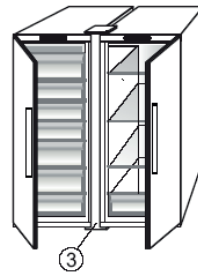


1.2. INSTALLING TWO APPLIANCES

During installing the freezer ① and the fridge ② together ensure that the freezer is located on the left and the fridge on the right (as shown on the drawing). Left side of refrigerator is equipped with special device in order to avoid condensation problems between appliances.



We recommended installing two appliances together using the linking-kit ③ (as shown on the drawing). You can buy it in Service.

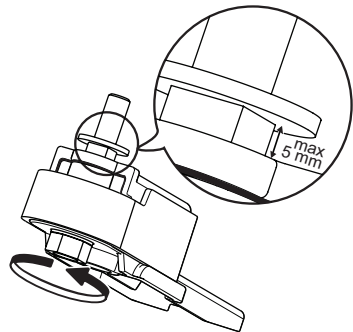


1.3. ADJUST DOORS (IF AVAILABLE)

To level the doors using the adjustable lower hinge (select models).

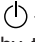

If the refrigerator door is lower than the freezer door, raise the refrigerator door by turning the adjustment screw counterclockwise using a M10 wrench.

If the freezer door is lower than the refrigerator door, raise the freezer door by turning the adjustment screw counterclockwise using a M10 wrench.



2. FUNCTIONS

2.1. ON/STAND BY

This function turns On/Stand-by the refrigerator. To put the product in Stand-by, press & hold the On/Stand-by button  for 3 seconds. When the appliance is in Stand-by, the light inside the refrigerator compartment does not work. Remember that this operation does not disconnect the appliance from the power supply. To switch the appliance On again, simply press the On/Stand-By button .



2.2. SMART DISPLAY*

This function can be used to save energy. Please follow the instructions contained in the Quick Start Guide to activate/deactivate the function. Two seconds after activation of the Smart Display, the display goes off.

To adjust the temperature or use other functions, it is necessary to activate the display by pressing any button. After about 15 seconds without performing any action, the display goes off again. When function is deactivated the normal display is restored. The Smart Display is automatically disabled after a power failure. Remember that this function does not disconnect the appliance from the power supply, but only reduce the energy consumed by external display.

Note: The declared appliance energy consumption refers to operation with the Smart Display function activated. This function is available only on the model with User Interface on the door.

2.3. DOOR OPEN ALARM

The Alarm icon  lights up blinking and the acoustic alarm sounds. The alarm is activated when the door is left open for more than 2 minutes. To disengage the door alarm close the door, or press once Stop Alarm button  to mute the acoustic alarm.

2.4. VACATION

This function can be activated to reduce the energy consumption of the appliance during a period of absence.

Before activating the feature, all perishable food should be removed from the refrigeration compartment and make sure that the door is closed properly, since the refrigerator will maintain a suitable temperature to prevent the formation of unpleasant odors (+12°C). To activate/ deactivate press the Vacation mode button for 3 seconds. When the function is enabled, the related symbol will light up and the temperature of the refrigerator compartment will be set to a higher setpoint (the temperature display will show the new temperature setpoint of +12°C).


Changing the temperature setpoint will automatically deactivate the function.

Attention:

- **Incompatibility with the “Fast Cool” function**
To guarantee optimal performance, the “Vacation” and “Fast Cool” functions cannot be used at the same time. Therefore, if the “Fast Cool” function has been already engaged, it has to be disengaged first to activate the “Vacation” function (and vice-versa).

2.5. FAST COOL

The use of this function is recommended when placing a very high quantity of food in the refrigerator compartment.

Using Fast Cool  function it is possible to increase the cooling capacity in the refrigerator compartment. To maximize the cooling capacity, please keep the fan switch on.

Attention:

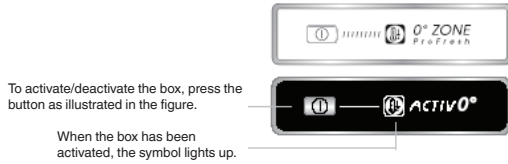
- **Incompatibility with the “Vacation” function**
To guarantee optimal performance, the “Vacation” and “Fast Cool” functions cannot be used at the same time. Therefore, if the “Vacation” function has been already engaged, it has to be disengaged first to activate the “Fast Cool” function (and vice-versa).

*Available on selected models only. Please check on the QUICK START GUIDE if this function is actually available on your model.

2.6. ZERO DEGREES DRAWER*

The Zero Degrees Drawer is specifically designed to maintain a low temperature and a suitable humidity level, in order to keep foods fresher for longer (e.g. meat, fish, fruit and winter vegetables).

Activating and deactivating the box



The temperature inside the box, when active, is approximately 0°. The following factors are vital for the “Zero Degrees” box to work properly:

- the refrigerator compartment must be switched on
- the temperature of the refrigerator compartment must be between +2°C and +5°C
- the box must be inserted to enable activation
- no special functions must have been selected (Standby, Vacation – where applicable).

If one of these special functions has been selected, the “Zero Degrees” box must be deactivated manually, and any fresh food inside it removed. If manual deactivation does not take place, the box will be deactivated automatically after 8 hours.

Note:

- if the symbol does not light up when the function is activated, check that the drawer is properly inserted; if the problem persists, contact your nearest authorized After-sales Service.
- if the function is active and the drawer open, the symbol on the control panel may be deactivated automatically. If the drawer is inserted, the symbol will become active again.
- irrespective of the state of the function, a slight noise may be heard: this is normal and is not a cause for concern.
- when the function is not active, the temperature in the drawer depends on the general temperature inside the refrigerator.

In this case, we recommend it is used to store fruit and vegetables which are not sensitive to cold temperatures (fruits of the forest, apples, apricots, carrots, spinach, lettuce, etc.).

Important: when the function is activated and there are foodstuffs with a high water content, condensation may form on shelves. In this case, disable the function temporarily.

2.7. FAN

The Fan improves temperature distribution inside the product, allowing better preservation of stored food. By default, the fan is switched on. It is advisable to keep the fan switched on when the ambient air temperature is above 27 ÷ 28°C or if you notice drops of water on the glass shelves or in severe humidity conditions. Please note that when the fan is switched on it will not continuously work. The fan will start/stop working depending on the temperature and/or humidity level inside the product. It is therefore absolutely normal if the fan does not move even if the fan is switched on. To activate or deactivate this function – see enclosed Quick Start Guide.

Note:

Do not obstruct the air intake area with food items.

To guarantee the right performance at lower ambient temperature (colder than 18°C) and to minimize Energy Consumption, turn off the fan.

To turn off the fan please see above procedure.

If the appliance has the Fan it can be equipped with the **antibacterial filter**.

Remove it from the box placed in the crisper drawer and insert into the cover of fan.

The replacement procedure is included in the filter box.

2.8. TEMPERATURE SETTING

The appliance is normally factory-set for operation at the recommended temperature of 5°C. The internal temperature can be adjusted between 8°C and 2°C, proceeding as follows:

- Press the temperature setting button (°C). The storage temperature can be changed by -1°C with each pressure of the button: the value changes cyclically between 8°C and 2°C.

Note: Displayed set points correspond to the average temperature throughout the whole refrigerator.

2.9. NO-FROST REFRIGERATOR COMPARTMENT

Refrigerator compartment defrosting is completely automatic.

Droplets of water on the rear wall inside the refrigerator compartment indicate that the automatic defrost phase is in progress. The defrost water is automatically run into a drain hole and collected in a container, where it evaporates.

*Available on selected models only. Please check on the QUICK START GUIDE if this function is actually available on your model.

2.10. LED LIGHT SYSTEM*

The light system inside the fridge compartment uses LEDs light, allowing a better lighting as well as very low energy consumption. If the LED light system does not work, please contact the Service to replace it.

Important:

The refrigerator compartment light switches on when the refrigerator door is opened. If the door is kept open for more than 10 minutes the light will be automatically switched off.

3. USE

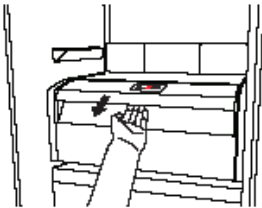
3.1. HOW TO INCREASE FRIDGE STORAGE CAPACITY

You can increase storage capacity by removing the "ZERO DEGREES DRAWER"*

In this case proceed as follows:

- switch off the box
- pull out the drawer and the white plastic shelf underneath the box.

Note: the upper shelf and the side support cannot be removed. To restore "Zero Degrees Drawer" operation, make sure you replace the white plastic shelf underneath the box before inserting



the drawer and reactivating the function. To optimise energy consumption, we recommend you deactivate the "Zero Degrees Drawer" and remove it.

4. FOOD-STORAGE TIPS

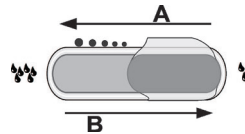
The refrigerator is the ideal storage location for ready meals, fresh and preserved food, dairy products, fruit and vegetables and beverage.

4.1. AIR VENTILATION

- The natural circulation of air in the refrigerator compartment results in zones with different temperatures. It is coldest directly above the fruits and vegetables crisper and at the rear wall. It is warmest at the top front of the compartment.
- Insufficient ventilation results in an increase in energy consumption and reduction of the refrigerating performance.

2.11. HUMIDITY CONTROLLED CRISPER*

The salad crispers fitted inside the fridge have been specially designed for the purpose of keeping fruit and vegetables fresh and crisp. Open the humidity regulator (position B) if you want to store food in a less humid environment like fruit, or close it (position A) to store food in a more humid environment like vegetable.



3.2. NOTES

- Do not block the air outlet area (on the back wall inside the product) with food products.
- If the freezer is provided with a flap, it is possible to maximize the storage volume by removing the flap.
- All shelves, flaps and pull-out baskets are removable.
- The internal temperatures of the appliance may be affected by the ambient temperature, frequency of door opening, as well as location of the appliance. Temperature setting should take into consideration these factors.
- Unless otherwise specified the appliance accessories are not dishwasher safe.
- Use Smart Display function as frequently as possible.

4.2. HOW TO STORE FRESH FOOD AND BEVERAGE

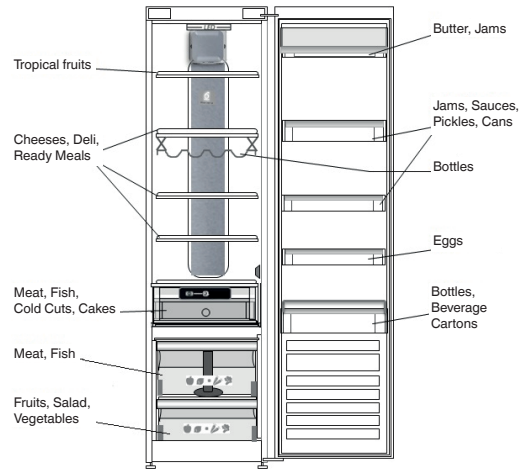
- Use recyclable plastic, metal, aluminum and glass containers and cling film to wrap foods.
- Always use closed containers for liquids and for food that may give off or be tainted by odor or flavor transfer or cover them.
- Foods which give off a large amount ethylene gas and those that are sensitive to this gas, such as fruit, vegetables and salad, should always be separated or wrapped so as not to reduce the storage life; for example do not store tomatoes together with kiwi fruits or cabbage.
- Do not store food too close together to enable sufficient air circulation.
- To avoid bottles falling over, you can use the bottle holder (available on selected models).
- If you have a little quantity of food to store in the refrigerator, we recommend to use the shelves above the crisper for fruits and vegetables since this is the coolest area of the compartment.

*Available on selected models only. Please check on the QUICK START GUIDE if this function is actually available on your model.

4.3. WHERE TO STORE FRESH FOOD AND BEVERAGE

- On the fridge shelves: ready meals, tropical fruits, cheeses, deli.
- In the coldest area – Zero Degrees drawer* (the one above Cooler Compartment): meat, fish, cold cuts, cakes.
- In the fruits and vegetables crisper: fruits, salad, vegetables.
- In the door: butter, jams, sauces, pickles, cans, bottles, beverage cartons, eggs.

EXAMPLE OF FOOD ARRANGEMENT



5. FUNCTIONAL SOUNDS

Sounds coming from your appliances are normal since it has a number of fans and engines to regulate performances that switch on and off automatically.

- Checking if the internal components are correctly placed.
- Checking if bottles and containers are not in contact with each other.

Some of the functional sounds can be reduced through

- Leveling the appliance and installing it on an even surface.
- Separating and avoiding contact between the appliance and furniture.

Some of the functional sounds you might hear:

A hissing sound when switching on the appliance for the first time or after a long pause.



A gurgling sound when refrigerant fluid enters into the pipes.



BRRR sound is from the compressor running.



Buzzing sound when water valve or fan start working.



A cracking sound when compressor starts or when ready ice drops into ice box abrupt clicks when compressor switches on and off.



The CLICK is from the thermostat which adjusts how often the compressor is running.



*Available on selected models only. Please check on the QUICK START GUIDE if this function is actually available on your model.

6. RECOMMENDATION IN CASE OF NO USE OF THE APPLIANCE

6.1. ABSENCE / VACATION

In case of vacation its recommended to use up food and to disconnect the appliance to save energy.

6.2. MOVING

1. Take out all internal parts.
2. Wrap them well, and fix them together with adhesive tape so that they do not bang together or get lost.
3. Screw the adjustable feet so that they do not touch the support surface.
4. Close and fix door with adhesive tape and, again using adhesive tape, fix the power cable to the appliance.

6.3. POWER FAILURE

In the event of a power failure, call the local office of your electricity supply company and ask how long it is going to last.

Note: Bear in mind that a full appliance will stay cold longer than a partially filled one.

If food is found to be in a poor condition, it is best to throw it away.

For power failures lasting up to 24 hours.

1. Keep the door of the appliance closed. This will allow the stored food to stay cold as long as possible.

For power failures lasting more than 24 hours.

1. Try to use up the food, which is more easily perishable.

7. MAINTENANCE AND CLEANING

Before any cleaning or maintenance operation, unplug the appliance from the mains or disconnect the electrical power supply.

Periodically clean the appliance with a cloth and a solution of lukewarm water and neutral detergent specifically for refrigerator interiors. Never use abrasives. Never clean refrigerator parts with flammable fluids. The fumes can create a fire hazard or explosion. Clean the outside of the appliance and the door seal with a damp cloth and dry with a soft cloth. Do not use steam cleaners.

Condenser placed in the rear of the appliance should be cleaned regularly using a vacuum cleaner.

Condenser placed in the rear of the appliance should be cleaned regularly using a vacuum cleaner.

Important:

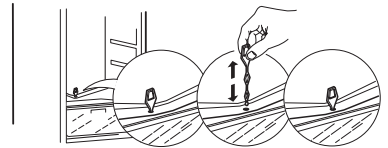
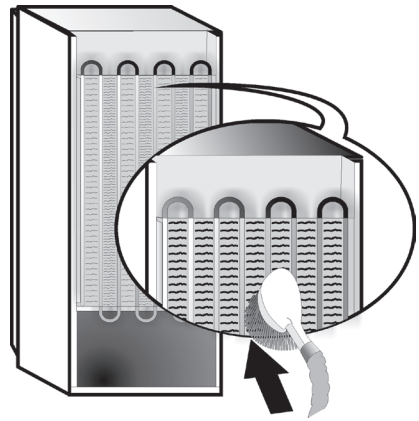
- The buttons and control panel display must not be cleaned with alcohol or alcohol-derived substances, but with a dry cloth.
- The refrigeration system pipes are located near the defrost pan and can become hot. Periodically clean them with a vacuum cleaner.

To ensure continuous and correct flow of defrost water, regularly clean the inside of the draining hole on the back of the refrigerator near the fruit and vegetable drawer, using the tool provided .

Before cleaning the “Zero Degrees Drawer” (including the outside), remove the drawer so as to disconnect the box from the electricity supply.

Clean the box and all its parts regularly, using a cloth and a solution of warm water and neutral detergent specifically formulated for refrigerator interiors (take care not to immerse the white plastic shelf underneath the box in water).

Never use abrasive detergents.



*Available on selected models only. Please check on the QUICK START GUIDE if this function is actually available on your model.


8. TROUBLESHOOTING GUIDE




8.1. BEFORE CONTACTING AFTER-SALES SERVICE...

Performance problems often result from little things you can find and fix yourself without tools of any kind.

PROBLEM	SOLUTION
The appliance is not working:	<ul style="list-style-type: none"> Is the power cable plugged into a live socket with the proper voltage? Have you checked the protection devices and fuses of the electrical system in your home?
If there is water in the defrost pan:	<ul style="list-style-type: none"> This is normal in hot, damp weather. The pan can even be half full. Make sure the appliance is level so that the water does not overflow.
If the edges of the appliance cabinet, which come in contact with the door seal, are warm to the touch:	<ul style="list-style-type: none"> This is normal in hot weather and when the compressor is running.
If the light does not work:	<ul style="list-style-type: none"> Have you checked the protection devices and fuses of the electrical system in your home? Is the power cable plugged into a live socket with the proper voltage? In case the LEDs are broken the user must call the Service for exchange of the same type available only at our After-sales Service Centers or authorized dealers.
If the motor seems to run too much:	<ul style="list-style-type: none"> Motor running time depends on different things: number of door openings, amount of food stored, temperature of the room, setting of the temperature controls. Is the condenser (back the appliance) free of dust and fluff? Are the door properly closed? Are the door seals properly fitted? On hot days or if the room is warm, the motor naturally runs longer. If the appliance door has been left open for a while or if large amounts of food have been stored, the motor will run longer in order to cool down the interior of the appliance.
If the appliance temperature is too high:	<ul style="list-style-type: none"> Are the appliance controls correctly set? Has a large amount of food been added to the appliance? Check that the door is not opened too often. Check that the door close properly.
If the doors do not open and close properly:	<ul style="list-style-type: none"> Check that food packages are not blocking the door. Check that the internal parts or automatic ice maker are not out of position. Check that the door seals are not dirty or sticky. Ensure the appliance is level.

8.2. FAILURES

In the event of operation alarms, they will also be displayed in the digits LEDs, (e.g. Failure1, Failure 2, etc...) call After-sales Service and specify the alarm code. The acoustic alarm sounds, the Alarm icon  lights up and the F letter on the digit display blinks according to failure code described below:

Failure code	Visualization
Error 2	F letter blink on/off at 0,5 sec. Blinks ON 2 times then remain off for 5 seconds. Pattern repeats.  x2
Error 3	F letter blink on/off at 0,5 sec. Blinks ON 3 times then remain off for 5 seconds. Pattern repeats.  x3
Error 6	F letter blink on/off at 0,5 sec. Blinks ON 6 times then remain off for 5 seconds. Pattern repeats.  x6

*Available on selected models only. Please check on the QUICK START GUIDE if this function is actually available on your model.

9. AFTER-SALES SERVICE

Before contacting After-Sales Service:

Switch the appliance on again to see if the problem has been solved. If it has not, disconnect the appliance from the power supply and wait for about an hour before switching on again.

If, after performing the checks described in the Troubleshooting Guide and switching the appliance on again, your appliance still does not work properly, contact the After-sales Service, explain the problem.

Specify:

- the model and appliance serial number (stated on the rating plate),
- the nature of the problem,

SERVICE 0000 000 00000



- the Service number (the number after the word SERVICE on the data plate on the inside of the appliance),
- your full address,
- your telephone number and area code.

Note:

The direction of door opening can be changed. If this operation is performed by After-sales Service it is not covered by the warranty.

ÍNDICE

Capítulo 1: INSTALACIÓN	13
1.1. INSTALACIÓN DE UN ÚNICO ELECTRODOMÉSTICO	13
1.2. INSTALACIÓN DE DOS ELECTRODOMÉSTICOS	13
1.3. AJUSTE DE LAS PUERTAS (SI DISPONE DE ÉL)	13
Capítulo 2: FUNCIONES	14
2.1. ENCENDIDO / EN ESPERA	14
2.2. PANTALLA INTELIGENTE*	14
2.3. ALARMA DE PUERTA ABIERTA	14
2.4. VACACIONES	14
2.5. FRÍO RÁPIDO	14
2.6. CAJÓN CERO GRADOS*	15
2.7. VENTILADOR	15
2.8. AJUSTE DE TEMPERATURA	15
2.9. COMPARTIMENTO FRIGORÍFICO NO FROST	15
2.10. SISTEMA DE ILUMINACIÓN LED*	16
2.11. CAJÓN PARA FRUTAS Y VERDURAS CON CONTROL DE HUMEDAD*	16
Capítulo 3: USO	16
3.1. CÓMO AUMENTAR LA CAPACIDAD DE ALMACENAMIENTO DEL FRIGORÍFICO	16
3.2. OBSERVACIONES	16
Capítulo 4: CONSEJOS PARA ALMACENAR ALIMENTOS	16
4.1. VENTILACIÓN	16
4.2. CÓMO ALMACENAR ALIMENTOS FRESCOS Y BEBIDAS	16
4.3. COLOCACIÓN DE ALIMENTOS FRESCOS Y BEBIDAS	17
Capítulo 5: SONIDOS DE FUNCIONAMIENTO	17
Capítulo 6: RECOMENDACIONES EN CASO DE FALTA DE USO DEL ELECTRODOMÉSTICO	18
6.1. AUSENCIAS/VACACIONES	18
6.2. MUDANZAS	18
6.3. CORTE DE CORRIENTE	18
Capítulo 7: LIMPIEZA Y MANTENIMIENTO	18
Capítulo 8: GUÍA PARA LA SOLUCIÓN DE PROBLEMAS	19
8.1. ANTES DE PONERSE EN CONTACTO CON EL SERVICIO POSTVENTA	19
8.2. FALLOS	19
Capítulo 9: SERVICIO POSTVENTA	20
Otros:	
MODIFICACIÓN DEL SENTIDO DE APERTURA DE LA PUERTA (VERSIÓN_1)	21
MODIFICACIÓN DEL SENTIDO DE APERTURA DE LA PUERTA (VERSIÓN_2)	23

NOTA:

Las instrucciones corresponden a diversos modelos y puede haber diferencias. Los apartados que solo se refieren a algunos aparatos están indicados con un asterisco (*).

Las funciones que atañen específicamente al modelo de producto que ya ha comprado se encuentran en la **GUÍA RÁPIDA DE INICIO**.

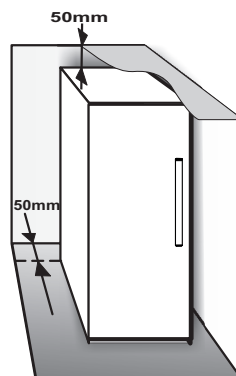
1. INSTALACIÓN

1.1. INSTALACIÓN DE UN ÚNICO ELECTRODOMÉSTICO

Para garantizar una ventilación adecuada, deje espacio a ambos lados y por encima del electrodoméstico.

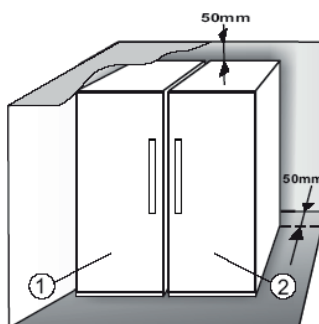
La distancia entre la parte trasera del aparato y la pared de detrás debe ser de como mínimo 50 mm.

Una reducción de este espacio significaría un incremento del consumo de energía del producto.

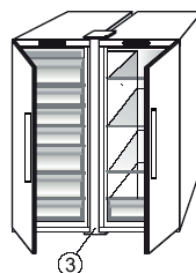


1.2. INSTALACIÓN DE DOS ELECTRODOMÉSTICOS

Cuando instale el congelador ① y el frigorífico ② juntos, asegúrese de que el congelador esté situado a la izquierda y el frigorífico a la derecha (tal como muestra el dibujo). La parte izquierda del frigorífico está equipada con un dispositivo especial para evitar problemas de condensación entre los aparatos.



Se recomienda instalar dos aparatos juntos usando el kit de unión ③ (tal como muestra el dibujo). Se puede comprar en el Servicio.

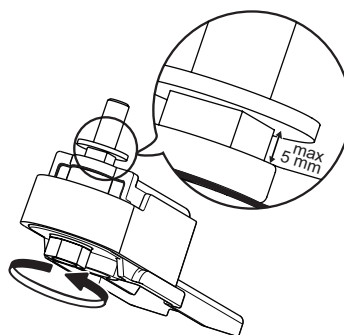


1.3. AJUSTE DE LAS PUERTAS (SI DISPONE DE ÉL)

Para nivelar las puertas usando la bisagra inferior ajustable (algunos modelos).

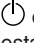
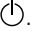
Si la puerta del frigorífico está más baja que la del congelador, eleve la puerta del frigorífico girando el tornillo de ajuste en sentido contrario al de las agujas del reloj con una llave inglesa M10.

Si la puerta del congelador está más baja que la del frigorífico, eleve la puerta del congelador girando el tornillo de ajuste en sentido contrario al de las agujas del reloj con una llave inglesa M10.



2. FUNCIONES

2.1. ENCENDIDO / EN ESPERA

La función Encendido/En espera enciende o pone en modo de espera el frigorífico. Para que el electrodoméstico pase al modo de espera, pulse el botón Encendido/En espera  durante tres segundos. Cuando el electrodoméstico está en el modo de espera, la luz del interior del compartimento frigorífico no funciona. Es importante tener presente que con esta operación no se desconecta el electrodoméstico de la alimentación eléctrica. Para volver a encender el electrodoméstico, pulse simplemente el botón Encendido/En espera .

2.2. PANTALLA INTELIGENTE*

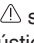

Esta función sirve para ahorrar energía. Siga las instrucciones que se incluyen en la Guía rápida para activar/desactivar la función. Dos segundos después de la activación de la Pantalla inteligente, la pantalla se apaga.

Para ajustar la temperatura o usar otras funciones, es necesario activar la pantalla pulsando cualquier botón. Después de unos 15 segundos sin que realice ninguna acción, la pantalla se apaga de nuevo. Cuando se desactiva la función, se restablece la pantalla normal. La Pantalla inteligente se desactiva de forma automática después de un corte de corriente.

Es importante tener presente que esta función no desconecta el electrodoméstico de la alimentación eléctrica, sino que únicamente reduce la corriente consumida por la pantalla externa.

Nota: El consumo de energía declarado del electrodoméstico se refiere al funcionamiento con la función de la Pantalla Smart activada. Esta función está disponible solamente en el modelo con la interfaz de usuario en la puerta.

2.3. ALARMA DE PUERTA ABIERTA

El icono de alarma  se enciende parpadeando y suena la alarma acústica. La alarma se activa cuando la puerta permanece abierta durante más de 2 minutos. Para desactivar la alarma de la puerta cierre la puerta, o pulse una vez el botón de desactivación de la alarma  para silenciar la alarma acústica.

2.4. VACACIONES

Esta función puede activarse para reducir el consumo de energía del electrodoméstico durante un periodo de ausencia.

Antes de activar la función, se deben retirar todos los alimentos perecederos del compartimento de refrigeración y asegurarse de que la puerta esté cerrada correctamente ya que el frigorífico mantendrá una temperatura adecuada para evitar la formación de olores desagradables (+12 °C).

Para activar/desactivar esta función, pulse el botón de modo Vacaciones durante 3 segundos. Si la función está activada, el icono relacionado se encenderá y la temperatura del compartimento frigorífico se ajustará en un punto de ajuste más alto (el indicador de temperatura mostrará el nuevo punto de ajuste de temperatura de +12 °C).

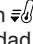
La función se desactivará automáticamente al cambiar el punto de ajuste de temperatura.

Atención:

- **Incompatibilidad con la función «Frío rápido»**
Para garantizar un rendimiento óptimo, las funciones «Vacaciones» y «Frío rápido» no se pueden usar al mismo tiempo. Por tanto, si ya se ha activado la función «Frío rápido», deberá desactivarla antes de poder activar la función «Vacaciones» (y viceversa).

2.5. FRÍO RÁPIDO

El uso de esta función se recomienda cuando se coloca una gran cantidad de alimentos en el compartimento del frigorífico.

Utilizando la función  Frío rápido es posible aumentar la capacidad de enfriamiento en el compartimento frigorífico. Para aumentar al máximo la capacidad de refrigeración, mantenga encendido el ventilador.

Atención:

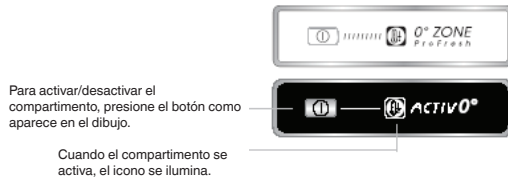
- **Incompatibilidad con la función «Vacaciones»**
Para garantizar un rendimiento óptimo, las funciones «Vacaciones» y «Frío rápido» no se pueden usar al mismo tiempo. Por tanto, si ya se ha activado la función «Vacaciones», deberá desactivarla antes de poder activar la función «Frío rápido» (y viceversa).

* Disponible solo en determinados modelos. Consulte la GUÍA RÁPIDA DE INICIO para saber si esta función está disponible en su modelo.

2.6. CAJÓN CERO GRADOS*

El Cajón cero grados está diseñado específicamente para mantener una baja temperatura y la humedad correcta para conservar los alimentos frescos durante más tiempo (p. ej. carne, pescado, fruta y verduras de invierno).

Activación y desactivación del compartimento



Cuando está activado, la temperatura dentro del compartimento es de aproximadamente 0°. Es fundamental tener en cuenta los factores siguientes para que el compartimento cero grados funcione correctamente:

- el compartimento frigorífico debe estar conectado
- la temperatura del compartimento frigorífico debe estar entre +2 °C y +5 °C
- el compartimento debe estar correctamente colocado en su posición para que pueda activarse
- no se han seleccionado funciones especiales (Modo de espera o Vacaciones, si procede).

Si se ha seleccionado una de estas funciones especiales, el compartimento de cero grados debe desactivarse manualmente y deben retirarse los alimentos frescos de su interior. Si no se desactiva manualmente, el compartimento se desactivará automáticamente después de 8 horas.

Nota:

- si el símbolo no se enciende cuando la función está activada, compruebe que el cajón esté colocado correctamente; si el problema persiste, contacte con su Servicio de Asistencia Técnica autorizado más cercano.
- si la función está activada y el cajón abierto, es posible que el icono del panel de control se desactive automáticamente. Si se introduce el cajón correctamente, el icono se activará de nuevo.
- independientemente del estado de la función, es posible que se escuche un ligero ruido: esto es normal y no es motivo de preocupación.
- cuando la función no esté activada, la temperatura del cajón dependerá de la temperatura general en el interior del frigorífico.

En este caso, se recomienda utilizar el cajón para guardar frutas y verduras que no sean sensibles al frío (frutos del bosque, manzanas, albaricoques, zanahorias, espinacas, lechuga, etc.).

Importante: si la función está activada en presencia de alimentos con alto contenido de agua, podría formarse condensado sobre los estantes. En este caso, desactive la función temporalmente.

2.7 VENTILADOR

El ventilador mejora la distribución de la temperatura dentro del compartimento del frigorífico y permite una mejor conservación de los alimentos. De forma predeterminada, el ventilador está encendido. Se recomienda mantener el ventilador encendido cuando la temperatura ambiente sea superior a 27-28 °C o si detecta gotas de agua en los estantes de cristal o en condiciones de humedad elevada. Tenga en cuenta que, cuando está encendido, el ventilador no funciona continuamente. El ventilador se enciende/apaga en función de la temperatura o del nivel de humedad de dentro del aparato. Por tanto, es completamente normal que el ventilador no gire, incluso si está encendido.

Para activar o desactivar esta función, consulte la Guía rápida de inicio incluida.

Nota:

No obstruya la zona de entrada de aire con los alimentos.

Encienda el ventilador para asegurar un buen funcionamiento a temperatura ambiente baja (menos de 18 °C) y minimizar el consumo de energía.

Para apagar el ventilador debe seguirse el procedimiento que se indica a continuación.

Si el aparato tiene ventilador, se puede equipar con el **filtro antibacteriano**.

Sáquelo de la caja situada en el cajón de las verduras e introdúzcalo en la tapa del ventilador.

El procedimiento de sustitución está incluido en la caja del filtro.

2.8. AJUSTE DE TEMPERATURA

Normalmente el aparato viene configurado de fábrica para que funcione a la temperatura recomendada de 5 °C. La temperatura interior puede ajustarse entre 8 °C y 2 °C siguiendo las instrucciones siguientes:

- Pulse el botón de ajuste de temperatura (°C).
Cada vez que se pulsa el botón se modifica la temperatura de conservación 1 °C: el valor cambia cíclicamente entre 8 °C y 2 °C.

Nota: Los puntos de ajuste mostrados se corresponden con la temperatura media en todo el frigorífico.

2.9. COMPARTIMENTO FRIGORÍFICO NO FROST

La descongelación del compartimento del frigorífico es completamente automática.

Las gotitas de agua en la pared trasera del compartimento del frigorífico indican que la fase de descongelación automática está en proceso. El agua descongelada va directamente hacia un desagüe y se recoge en un recipiente donde se evapora.

* Disponible solo en determinados modelos. Consulte la GUÍA RÁPIDA DE INICIO para saber si esta función está disponible en su modelo.

2.10. SISTEMA DE ILUMINACIÓN LED*

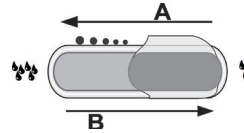
El sistema de iluminación dentro del compartimento frigorífico utiliza luz led, lo que mejora la iluminación y permite un menor consumo energético. Si el sistema de iluminación LED no funciona, póngase en contacto con Servicio de Asistencia para su sustitución.

Importante:

La luz del compartimento frigorífico se enciende cuando se abre la puerta del frigorífico. Si se deja la puerta abierta durante más de 10 minutos, la luz se apaga de forma automática.

2.11. CAJÓN PARA FRUTAS Y VERDURAS CON CONTROL DE HUMEDAD*

Los cajones para lechuga integrados en el frigorífico se han diseñado especialmente con el objetivo de mantener las frutas y verduras frescas. Abra el regulador de humedad (posición B) si quiere almacenar alimentos como, por ejemplo, fruta en un entorno menos húmedo, o ciérrelo (posición A) para almacenar alimentos como, por ejemplo, verduras, en un entorno más húmedo.



3. USO

3.1. CÓMO AUMENTAR LA CAPACIDAD DE ALMACENAMIENTO DEL FRIGORÍFICO

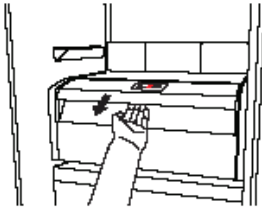
Se puede aumentar la capacidad de almacenamiento retirando el «CAJÓN CERO GRADOS»*

Para ello, proceda como se indica a continuación:

- desconecte el compartimento
- saque el cajón y el estante de plástico de debajo del compartimento.

Nota: la bandeja superior y el soporte lateral no pueden desmontarse. Para utilizar de nuevo el «Cajón cero grados», asegúrese de que cambia la bandeja de plástico blanca

de debajo del compartimento antes de introducir el cajón y activar de nuevo la función. Para optimizar el consumo de energía, se recomienda desactivar el «Cajón cero grados» y retirarlo.



3.2. OBSERVACIONES

- No bloquee la zona de salida de aire (en la pared trasera del interior del producto) con los alimentos.
- Si el congelador dispone de una cubierta, es posible maximizar el volumen de almacenamiento retirando la cubierta.
- Todos los estantes, solapas y cestas extraíbles se pueden desmontar.
- La temperatura en el interior del aparato depende de la temperatura ambiente, la frecuencia de apertura de la puerta y la ubicación del aparato. Cuando ajuste la temperatura, tenga en cuenta todos estos factores.
- A menos que se indique lo contrario, los accesorios del aparato no se pueden poner en el lavavajillas.
- Utilice la función Pantalla inteligente siempre que sea posible.

4. CONSEJOS PARA ALMACENAR ALIMENTOS

El frigorífico es ideal para almacenar comida preparada, alimentos frescos y encurtidos, productos lácteos, fruta y verdura y bebidas.

4.1. VENTILACIÓN

- La circulación natural de aire en el compartimento del frigorífico hace que haya zonas con diferentes temperaturas. La zona más fría está directamente encima del cajón de fruta y verdura y en la pared trasera. La zona menos fría está en la parte superior frontal del compartimento.
- La ventilación insuficiente provoca un aumento del consumo de energía y una reducción del rendimiento de la refrigeración.

4.2. CÓMO ALMACENAR ALIMENTOS FRESCOS Y BEBIDAS

- Utilice recipientes reciclables de plástico, metal, aluminio y cristal o film transparente para envolver los alimentos.

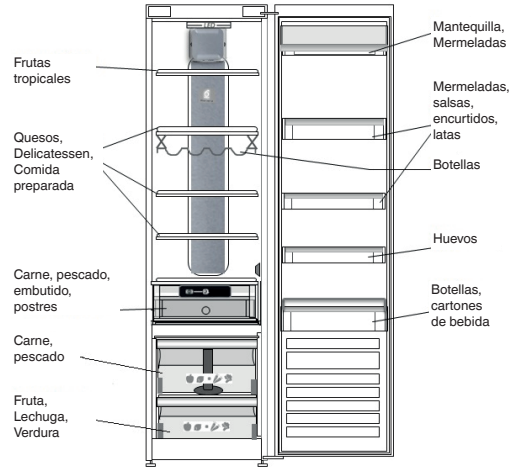
- Utilice siempre recipientes con tapa para líquidos y alimentos que puedan desprender o tomar olor o sabor de otros alimentos o cúbralos.
- Los alimentos que desprenden mucho gas etileno y aquellos que son sensibles a este gas, como las frutas y verduras o la lechuga, deben conservarse siempre en compartimentos separados o envolverse para no reducir su tiempo de conservación. Por ejemplo, no debe conservar los tomates junto con los kiwis o la col.
- No coloque los alimentos muy juntos para permitir una circulación del aire adecuada.
- Para evitar que se vuelquen las botellas, puede utilizar portabotellas (disponibles en algunos modelos).
- Si tiene que almacenar poca cantidad de alimentos en el frigorífico, recomendamos utilizar los estantes de encima del cajón para frutas y verduras ya que es la parte del compartimento mejor refrigerada.

* Disponible solo en determinados modelos. Consulte la GUÍA RÁPIDA DE INICIO para saber si esta función está disponible en su modelo.

4.3. COLOCACIÓN DE ALIMENTOS FRESCOS Y BEBIDAS

- En los estantes del frigorífico: comida preparada, frutas tropicales, quesos, delicatessen.
- En la zona mejor refrigerada, cajón cero grados* (encima del compartimento congelador): carne, pescado, embutido, postres.
- En el cajón para fruta y verdura: fruta, lechuga, verdura.
- En la puerta: mantequilla, mermeladas, salsas, curtidos, latas, botellas, cartones de bebida, huevos.

EJEMPLO DE COLOCACIÓN DE ALIMENTOS



5. SONIDOS DE FUNCIONAMIENTO

Los sonidos del aparato son normales porque hay una serie de ventiladores y motores para regular las funciones que se encienden y se apagan automáticamente.

- Comprobar que los componentes interiores están colocados correctamente.
- Comprobar que las botellas y los recipientes no se toquen entre ellos.

Algunos de los sonidos de funcionamiento se pueden reducir

- Nivelar el aparato e instalarlo en una superficie plana.
- Separar y evitar el contacto entre el aparato y los muebles.

ALGUNOS DE LOS SONIDOS DE FUNCIONAMIENTO QUE PUEDE OÍR:

Un silbido cuando se enciende el electrodoméstico por primera vez o después de una pausa prolongada.



Un borboteo cuando el líquido de refrigeración entra en las tuberías.



Un borboteo cuando el compresor está en funcionamiento.



Un zumbido cuando la válvula de agua o el ventilador comienzan a funcionar.



Cuando el compresor se enciende o apaga o el hielo cae en la caja de hielo, suena un crujido.



El sonido CLIC es del termostato que ajusta la frecuencia de funcionamiento del compresor.



* Disponible solo en determinados modelos. Consulte la GUÍA RÁPIDA DE INICIO para saber si esta función está disponible en su modelo.

6. RECOMENDACIONES EN CASO DE FALTA DE USO DEL ELECTRODOMÉSTICO

6.1. AUSENCIAS/VACACIONES

En caso de vacaciones, se recomienda consumir toda la comida y desconectar el aparato para ahorrar energía.

6.2. MUDANZAS

1. Extraiga las partes internas.
2. Envuélvalas bien y júntelas con cinta adhesiva para que no choquen ni se pierdan.
3. Enrosque las patas regulables para que no toquen con la superficie de soporte.
4. Cierre y fije la puerta con cinta adhesiva y úsela también para fijar el cable de alimentación al aparato.

6.3. CORTE DE CORRIENTE

En caso de corte de corriente, llame a la oficina local de su suministrador eléctrico y pregunte cuánto durará.

Nota: Tenga en cuenta que un aparato lleno permanecerá frío más tiempo que uno que esté parcialmente lleno.

Si los alimentos se encuentran en malas condiciones, es mejor tirarlos.

Para cortes de corriente de hasta 24 horas.

1. Mantenga la puerta del aparato cerrada. De este modo los alimentos almacenados se mantendrán fríos el máximo tiempo posible.

Para cortes de corriente de más de 24 horas.

1. Intente consumir todos los alimentos más perecederos.

7. LIMPIEZA Y MANTENIMIENTO

Antes de llevar a cabo cualquier operación de mantenimiento, desenchufe el aparato de la red o desconecte el suministro de energía eléctrica.

Limpie el aparato regularmente con un paño y una solución de agua tibia y detergente neutro específico para interiores de frigoríficos. No use productos abrasivos. No limpie el frigorífico con líquidos inflamables. Los humos pueden provocar peligro de incendio o explosión. Limpie el exterior del aparato y la junta de la puerta con un paño húmedo y séquelo con un paño suave.

No use limpiadores de vapor.

El condensador situado en la parte trasera del aparato debe limpiarse de forma regular con un aspirador.

El condensador situado en la parte trasera del aparato debe limpiarse de forma regular con un aspirador.

Importante:

- Los botones y la pantalla del panel de control no se deben limpiar con alcohol ni substancias derivadas de alcohol, solo con un paño seco.
- Los tubos del sistema de refrigeración están situados cerca de la zona de descongelación y pueden calentarse. Límpielos periódicamente con una aspiradora.

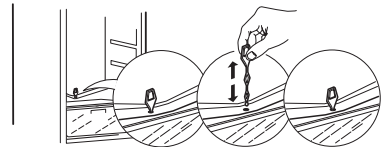
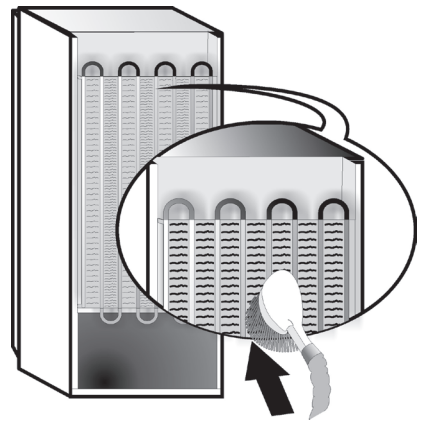
Para asegurar un flujo continuo y correcto del agua descongelada, limpie regularmente el interior del desagüe que está situado en la parte trasera del frigorífico, cerca del cajón para fruta y verdura, con la herramienta suministrada.

Antes de limpiar el «Cajón cero grados» (incluyendo la parte exterior), extraiga el cajón para desconectar la caja de la alimentación de corriente.

Limpie con frecuencia el compartimento y todas sus piezas con un paño, una solución de agua tibia y un detergente neutro específico para la limpieza del interior del frigorífico (teniendo cuidado de no sumergir en el agua la bandeja de plástico blanca de debajo del compartimento).

No utilice nunca productos de limpieza abrasivos.

* Disponible solo en determinados modelos. Consulte la GUÍA RÁPIDA DE INICIO para saber si esta función está disponible en su modelo.




8. GUÍA PARA LA SOLUCIÓN DE PROBLEMAS




8.1. ANTES DE PONERSE EN CONTACTO CON EL SERVICIO POSTVENTA

Los problemas de funcionamiento suelen deberse a pequeños problemas que usted mismo puede identificar y solucionar sin ningún tipo de herramienta.

PROBLEMA	SOLUCIÓN
El aparato no funciona:	<ul style="list-style-type: none"> ¿El cable de alimentación está enchufado a una toma con el voltaje adecuado? ¿Ha comprobado los dispositivos de protección y los fusibles de la instalación eléctrica de su hogar?
Si hay agua en la zona de descongelación:	<ul style="list-style-type: none"> Es normal si el tiempo es cálido y húmedo. El recipiente puede estar medio lleno. Asegúrese de que el aparato esté nivelado para que el agua no se vierta.
Si los márgenes del armario del aparato, que están en contacto con la junta de la puerta, están calientes:	<ul style="list-style-type: none"> Es normal cuando hace calor y el compresor está en funcionamiento.
Si la luz no funciona:	<ul style="list-style-type: none"> ¿Ha comprobado los dispositivos de protección y los fusibles de la instalación eléctrica de su hogar? ¿El cable de alimentación está enchufado a una toma con el voltaje adecuado? Si los ledes están rotos, el usuario debe llamar al Servicio para pedir un recambio del mismo tipo, solo disponible en nuestros centros de Servicio Postventa o en un distribuidor autorizado.
Si parece que el motor funciona demasiado deprisa:	<ul style="list-style-type: none"> El ritmo del motor depende de distintos factores: número de veces que se abre la puerta, cantidad de alimentos almacenados, temperatura de la habitación, ajuste de los controles de temperatura. ¿El condensador (situado en la parte trasera) tiene polvo o pelusa? ¿La puerta está bien cerrada? ¿Las juntas de la puerta están bien fijadas? En los días calurosos, el motor funciona durante más tiempo si la habitación está caliente. Si la puerta del aparato se deja abierta durante un período de tiempo o se almacenan grandes cantidades de alimentos, el motor funcionará durante más tiempo para refrigerar el interior del aparato.
Si la temperatura del aparato es demasiado alta:	<ul style="list-style-type: none"> ¿Los controles del aparato están bien configurados? ¿Se ha añadido una gran cantidad de alimentos al aparato? Compruebe que la puerta no se abra con demasiada frecuencia. Compruebe que la puerta está bien cerrada.
Si las puertas no abren y cierran correctamente:	<ul style="list-style-type: none"> Compruebe que no haya paquetes de alimentos bloqueando la puerta. Compruebe que las partes internas o la máquina del hielo automática estén en su posición. Compruebe que las juntas de la puerta no estén sucias o pegajosas. Asegúrese de que el aparato esté nivelado.

8.2. FALLOS

En caso de que se produzcan alarmas de funcionamiento también se mostrarán en los LED de dígitos (por ejemplo, Failure1 (fallo 1), Failure2 (fallo 2), etc.), póngase en contacto con el Servicio Postventa e indique el código de alarma. En función del código de fallo descrito a continuación, la alarma acústica sonará, el icono de alarma  se iluminará y la letra F parpadeará en la pantalla de dígitos:

Código de fallo	Visualización
Error 2	La letra F se enciende/apaga cada 0,5 segundos. Parpadea ENCENDIDO dos veces y luego permanece apagada durante 5 segundos. El patrón se repite.  x2
Error 3	La letra F se enciende/apaga cada 0,5 segundos. Parpadea ENCENDIDO 3 veces y luego permanece apagada durante 5 segundos. El patrón se repite.  x3
Error 6	La letra F se enciende/apaga cada 0,5 segundos. Parpadea ENCENDIDO 6 veces y luego permanece apagada durante 5 segundos. El patrón se repite.  x6

* Disponible solo en determinados modelos. Consulte la GUÍA RÁPIDA DE INICIO para saber si esta función está disponible en su modelo.

9. SERVICIO POSTVENTA

Antes de ponerse en contacto con el Servicio Postventa:

Encienda el aparato de nuevo para ver si el problema persiste. En caso que persista, desconecte el aparato del suministro eléctrico y espere aproximadamente una hora antes de volver a conectarlo.

Si después de realizar las acciones descritas en la Guía para la solución de problemas y de volver a encender el aparato, este sigue funcionando mal, contacte con el Servicio Postventa y explique su problema.

Especifique:

- el modelo y el número de serie del aparato (indicado en la placa de características),
- el tipo de problema,

SERVICE 0000 000 00000

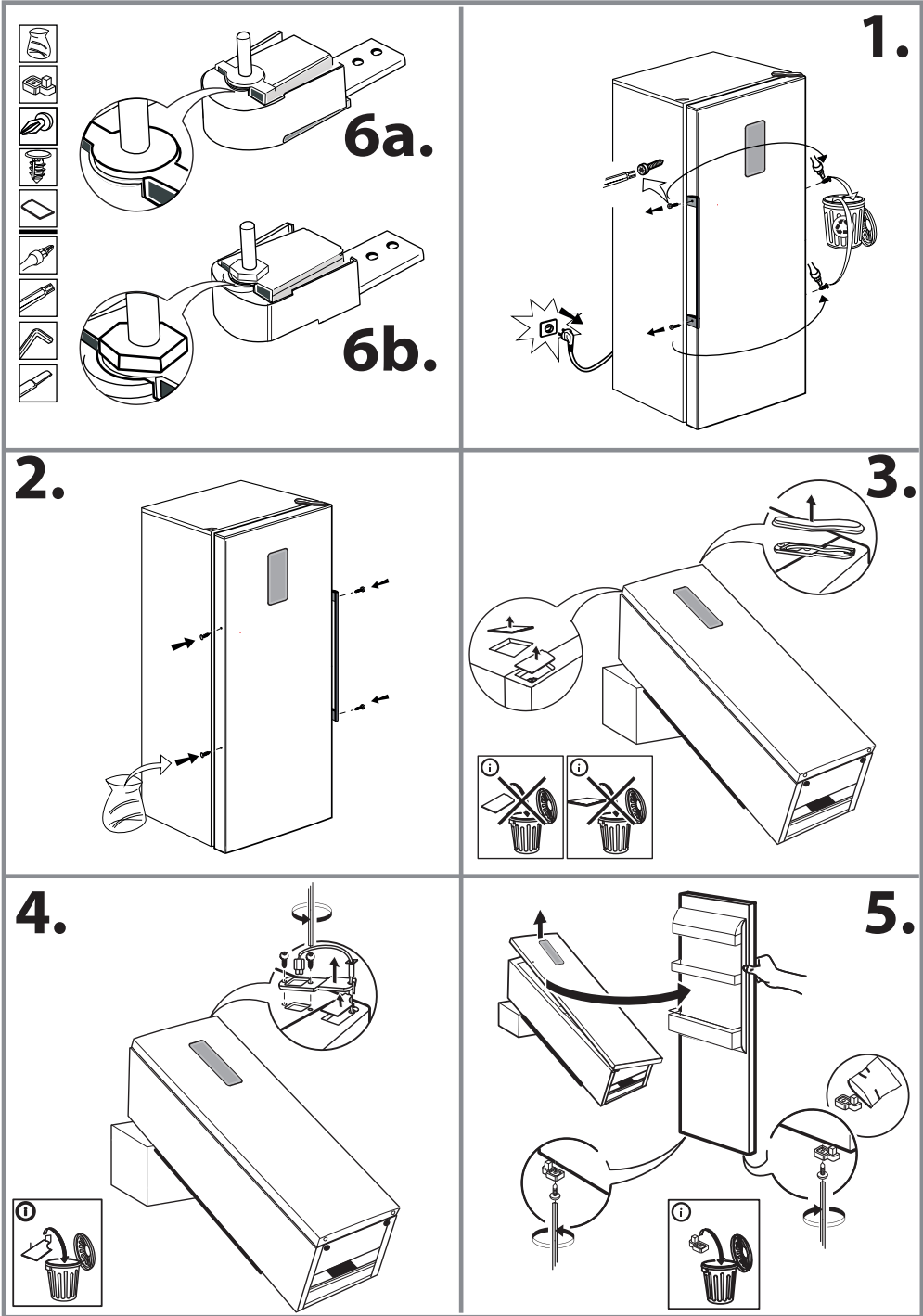


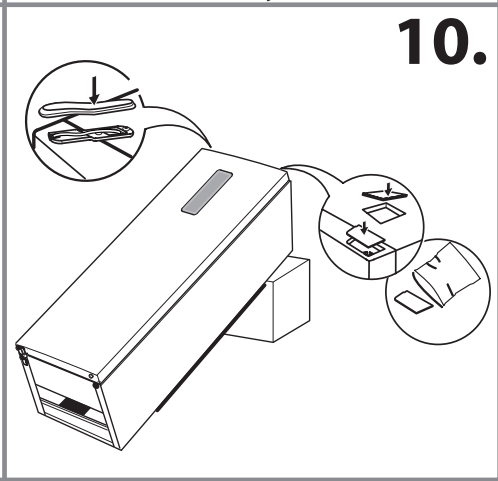
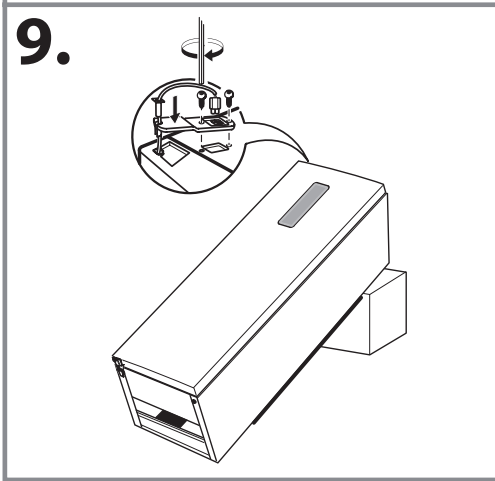
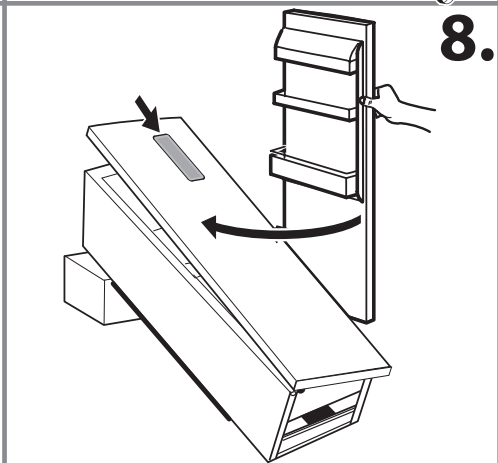
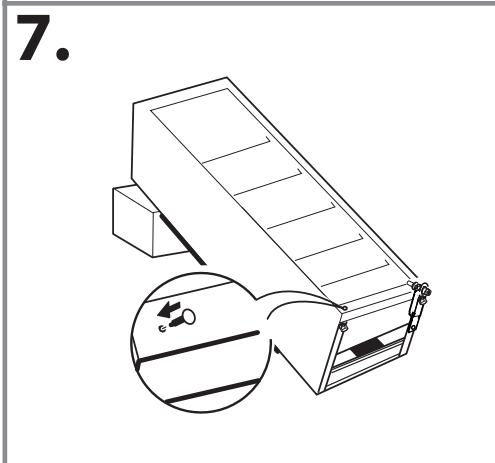
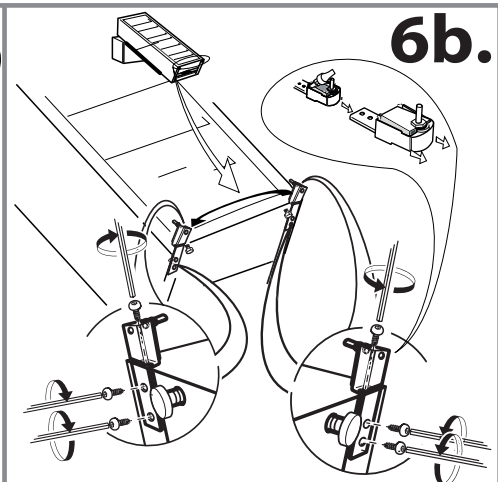
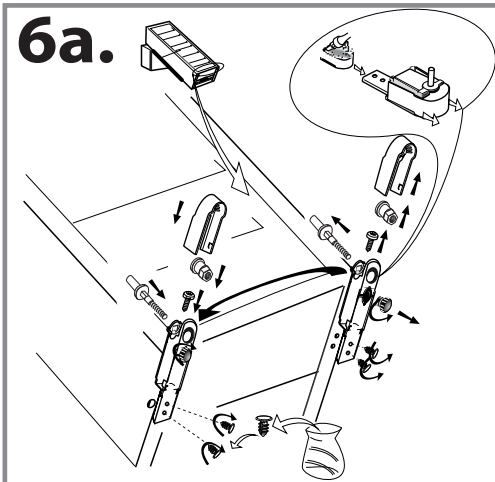
- el número de Servicio (el número que aparece después de la palabra **SERVICE** en la placa de datos del interior del aparato),
- su dirección completa,
- su número de teléfono y código postal.

Nota:

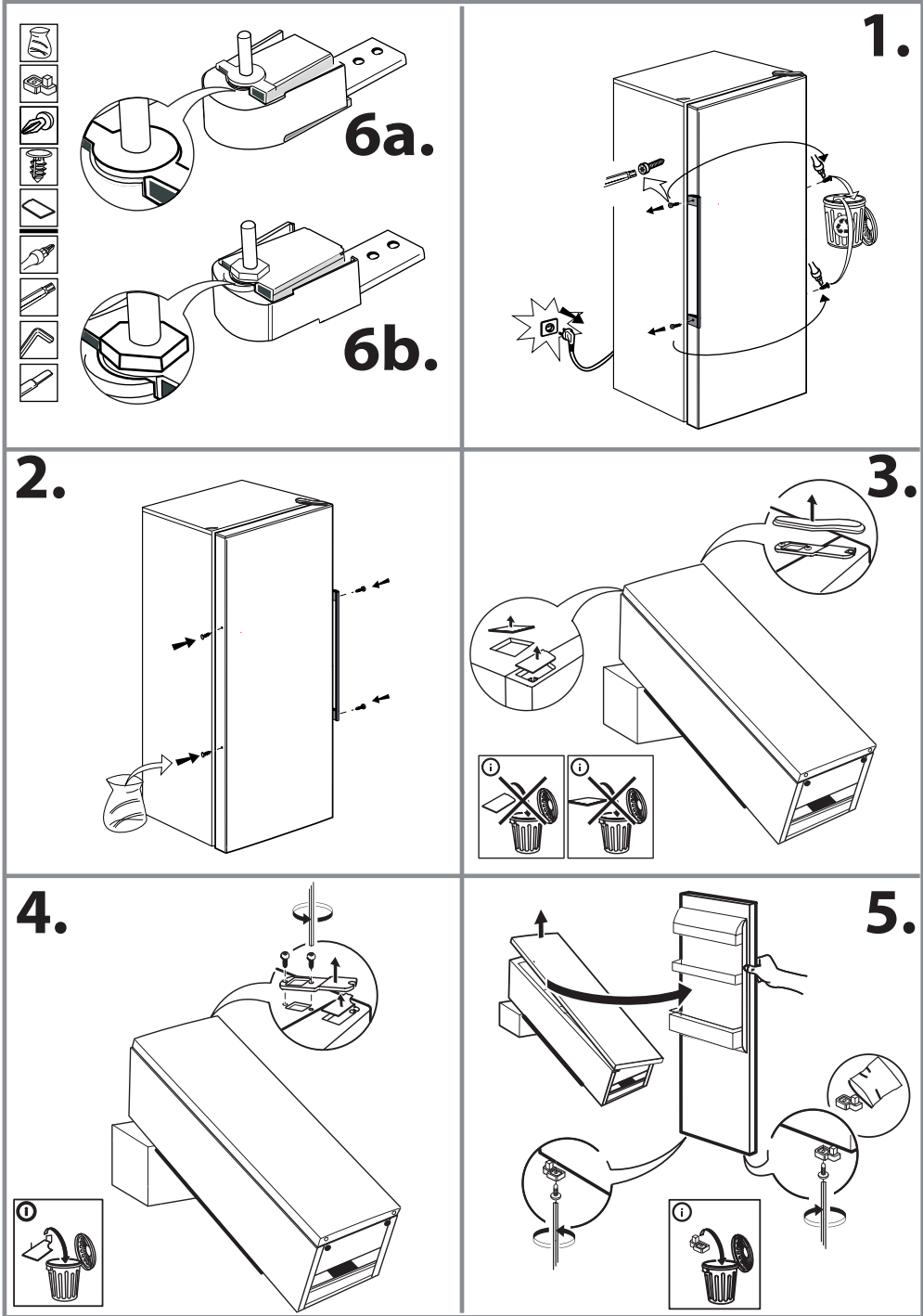
La dirección de apertura de la puerta se puede cambiar. La garantía no cubre esta operación si la lleva a cabo el Servicio Postventa.

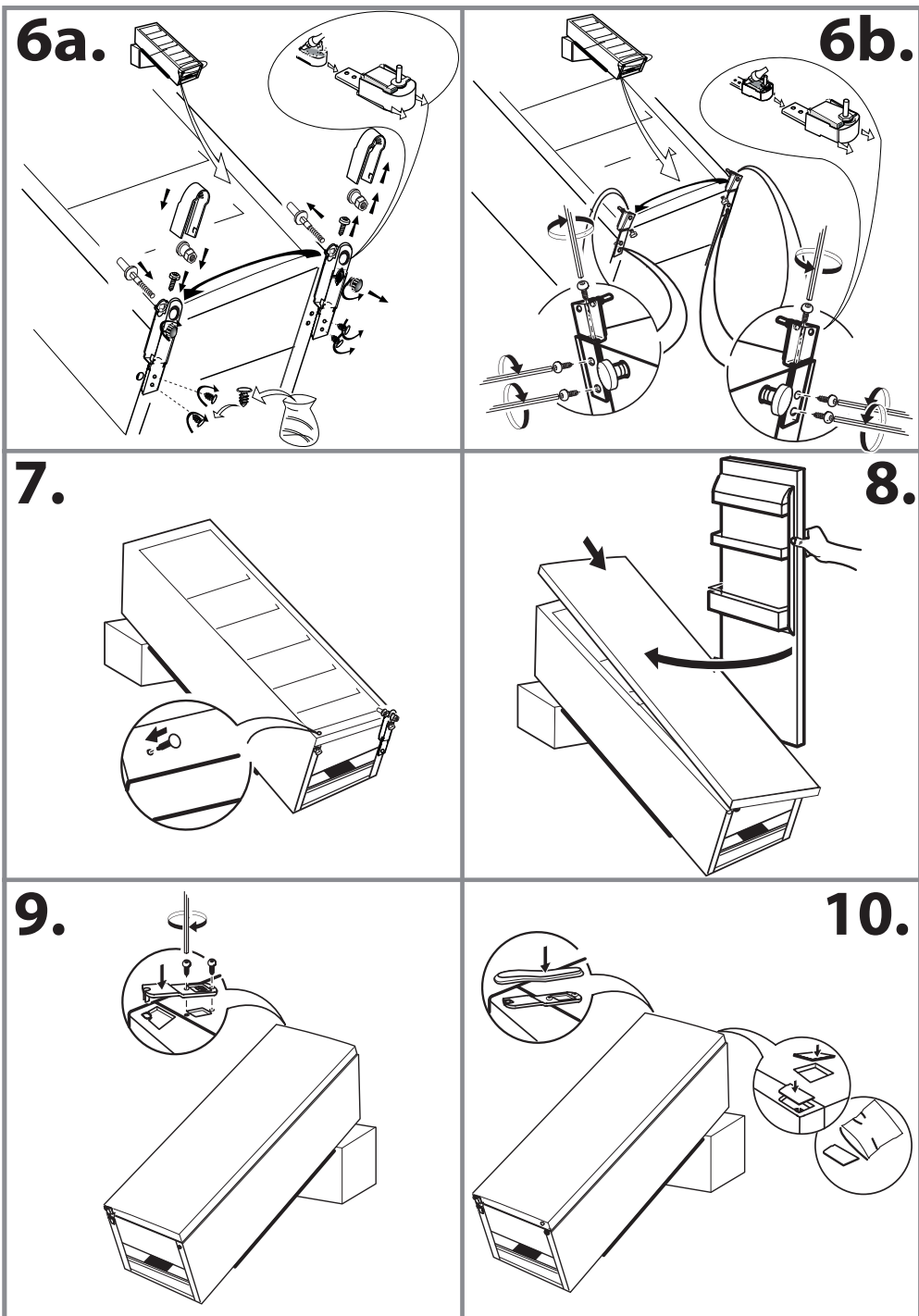
(1)





(2)





400011305743

(GB) (ES)



09/18