

ART 8912/A++ SF

12NC: 856444196000

EAN code: 8003437040528



SENSING THE DIFFERENCE

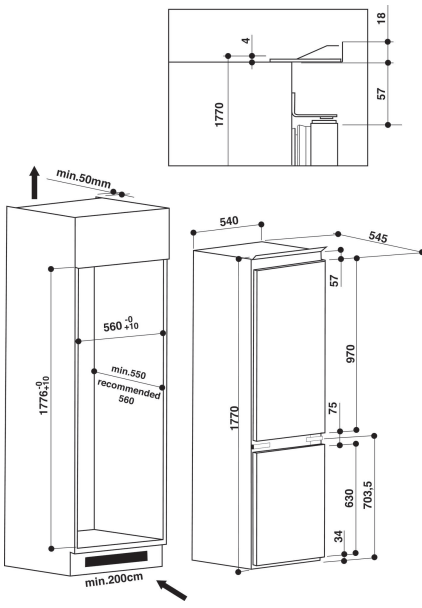


MAIN FEATURES

Product group	Fridge/freezer combination
Installation type	Built-in
Type of control	Electronic
Construction type	Built-in
Main colour of product	Inox
Connection rating (W)	140
Current (A)	16
Voltage (V)	220-240
Frequency (Hz)	50
Number of compressors	1
Length of Electrical Supply Cord (cm)	245
Plug type	Schuko
Total unit net capacity (l)	269
Star Rating	4
Height of the product	1770
Width of the product	540
Depth of the product	545
Maximum adjustability feet	0
Net weight (kg)	50.60

TECHNICAL FEATURES

Defrost process fridge section	Automatic
Defrost process freezer section	Manual
Fast cooling switch	No
Fast freezing function	Yes
Door opened indicator freezer	No
Temperature adjustable	Yes
Temperature adjustable freezer	Yes
Interior ventilator fridge section	Yes
Number of freezing drawers	3
Automatic motor-driven ice-maker	N/A
Number of shelves in fridge compartment	4
Material of the shelves	Glass With Profile
Thermometer fridge section	None
Thermometer freezer section	None
Number of temperature zones	2



ENERGY LABEL

Energy efficiency class - NEW (2010/30/EC)	A++
Energy consumption annual (kWh/annum) - NEW (2010/30/EC)	232
Refrigerator Net capacity (l) - NEW (2010/30/EC)	189
Freezer Net capacity (l) - NEW (2010/30/EC)	80
Freezing capacity (kg/24h) - NEW (2010/30/EC)	6
Climate class	SN-T
Noise level (dB(A) re 1 pW)	35
Frost free system	No