

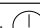
1. Rapid Cast Iron Plate Ø 180
2. Rapid Cast Iron Plate Ø 145
3. Power indicator lights
4. Cooking zone control knob
5. Cooking zone control knob



- To use the hob turn the knob(s) counter clockwise and position at the required power setting.
- To switch off the hob return the knob(s) to position "0".
- The hob is provided with 2 indicator lights showing when the cooking zones are hot.

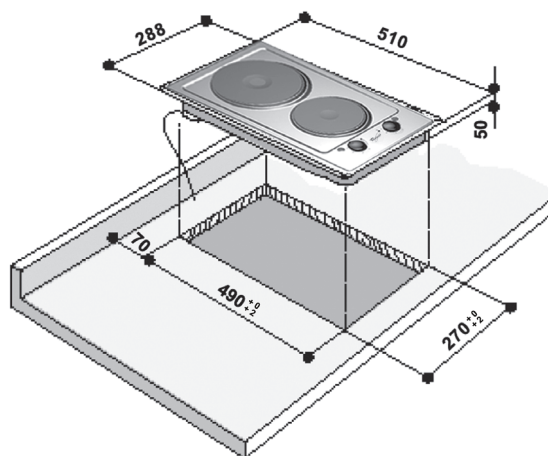
Make sure that the voltage indicated on the rating plate corresponds to the mains voltage. The technical data stated on the rating plate underneath the hob are also provided below:

ELECTRICAL CONNECTION

Supply voltage	Conductors: number and size
220-240 V ~ + 	H05 RR-F 3 x 1.5 mm ²

DIMENSIONS OF COOKING HOB AND WORKTOP (MM)

Knob (1 - 6)	Table for use of the cooking zones
1-2	For melting (butter, chocolate)
2	To keep food warm and to heat small quantities of liquids
3	To heat larger quantities, whip creams and sauces
3-4	Slow boiling, e.g.: boiled vegetables, spaghetti, soups, continuing steam cooking of roasts, stews
4	For all types of fried foods, chops, steaks, cooking without lid, e.g.: risotto
4-5	Browning meats, roast potatoes, fried fish and to boil large quantities of water
6	Quick frying, steaks in steak pan, etc.



These instructions shall also be available on website: docs.whirlpool.eu

IMPORTANT SAFETY INSTRUCTIONS

YOUR SAFETY AND THAT OF OTHERS IS VERY IMPORTANT

This manual and the appliance itself provide important safety messages, to be read and always observed.

WARNING:

All messages relevant to safety specify the potential risk to which they refer and indicate how to reduce the risk of injury, damage and electric shocks due to incorrect use of the appliance. Make sure to comply with the following:

- Use protective gloves to perform all unpacking and installation operations.
- The appliance must be disconnected from the power supply before carrying out any installation operation.
- Installation and maintenance must be carried out by a specialised technician, in compliance with the manufacturer's instructions and the local safety regulations in force. Do not repair or replace any part of the appliance unless specifically stated in the user manual.
- The appliance must be earthed.
- The power cable must be long enough for connecting the appliance, fitted in the cabinet, to the power supply.
- For installation to comply with the current safety regulations, an omnipolar switch with minimum contact gap of 3 mm is required.
- Do not use multi-sockets or extension cords.
- Do not pull the appliance's power cable.
- The electrical parts must not be accessible to the user after installation.
- The appliance is designed solely for domestic use for cooking food. No other use is permitted (e.g. heating rooms). The Manufacturer declines any liability for inappropriate use or incorrect setting of the controls.
- The appliance and its accessible parts become hot during use. Care should be

- taken to avoid touching heating elements.
- The appliance and its accessible parts become hot during use. Care should be taken to avoid touching heating elements. Very young (0-3 years) and young children (3-8 years) shall be kept away unless continuously supervised.
- Children from 8 years and above and persons with reduced physical, sensory or mental capabilities or lack of experience and knowledge can use this appliance only if they are supervised or have been given instructions on safe appliance use and if they understand the hazards involved. Children shall not play with the appliance. Cleaning and user maintenance shall not be made by children without supervision.
- Do not touch the appliance heating elements during and after use. Do not allow the appliance to come into contact with cloths or other flammable materials until all the components have cooled sufficiently.
- Do not place flammable materials on or near the appliance.
- Overheated oils and fats catch fire easily. Pay attention when cooking food products rich in fat and oil.
- If the surface is cracked, switch off the appliance to avoid the possibility of electric shock (only for appliances with glass surface).
- The appliance is not intended to be operated by means of an external timer or separate remote control system.
- Unattended cooking on a hob with fat or oil can be dangerous and may result in fire. NEVER try to extinguish a fire with water, but switch off the appliance and then cover flame e.g. with a lid or a fire blanket.
- Danger of fire: do not store items on the cooking surfaces.
- Do not use steam cleaners.

TYPE PLETP 220-240 V ~ 50/60 HZ 3.5 KW



BEFORE USING THE COOKING HOB

Before use, remove the following:

- adhesive labels on the top of the hob;
- protective card and plastic film;
- Check whether the hob has been damaged during transport. If in doubt, contact the After Sales centre.

CLEANING AND MAINTENANCE

- Clean the hob when it is cool, after each use. This will prevent the build-up of dirt and make cleaning easier.
- Clean the electric plates with a cloth moistened with water and salt, and polish with a cloth moistened with oil.
- Never use water directly for cleaning the electric plates to avoid the formation of rust.
- Do not allow food residue to dry on the plates.
- Do not use abrasive products, chloride based corrosives, oven-cleaner spray or pan scourers for cleaning the plates.
- The hob should be treated periodically with a commercially available proprietary products according to the specific instructions.

STAINLESS STEEL TOPS

- Prolonged use of the hob may alter the colour of the hotplates due to the high temperatures reached.
- Stainless steel parts must be cleaned with a sponge soaked in soapy water or other suitable non-abrasive products.
- Dry with a soft cloth.
- Acid substances such as lemon juice, tomato, vinegar or similar, make the surface opaque if not removed for a long time.

ENAMELLED TOPS

- Enamelled parts must be cleaned with a sponge soaked in soapy water or other suitable non-abrasive products.
- Dry with a soft cloth.
- Acid substances such as lemon juice, tomato, vinegar or similar, make the surface opaque if not removed for a long time.

TROUBLESHOOTING GUIDE

The hob does not work:

- Check for the presence of mains electrical power.
- Set the knob to "0" and switch on the hob again to ensure that the fault has been remedied.

The hob does not turn off:

- disconnect the hob immediately by disconnecting the power cable from the socket.

ACCESSORIES:

- The glass cover can be ordered via the After Sales Service, with the code: AMC 966 NB (New Black) AMC 966 MR (Mirror)

AFTER-SALES SERVICE

Before contacting After-Sales Service:

- See if you can solve the problem yourself with the help of the suggestions given in chapter "BEFORE USING THE COOKING HOB".

If after the above checks the fault persists, contact the nearest After-sales Service.

Please give:

- a brief description of the fault;
- the type and exact model of the hob;
- the service number (i.e., the number that follows the word SERVICE on the rating plate, located under the hob). The service number is also indicated on the warranty booklet;
- your full address;
- your telephone number and area code.

If any repairs are required, please contact an **authorised After-sales Service** (to guarantee that original spare parts will be used and repairs carried out correctly).

Failure to comply with these instructions may compromise the safety and quality of the product.

INSTALLATION

Recommendations

Important: Before any installation or maintenance operation, disconnect the hob from the mains power supply.

- Electrical connections must be made before connecting the appliance to the electricity supply.
- Installation must be performed by a qualified technician according to the manufacturer's instructions and current local regulations.
- After unpacking the hob, check that there has been no damage during transport. **If in doubt, contact the nearest dealer or Authorised After Sales Service.**

Preparation of fitted cabinet

- Perform all required cuts on the work top before inserting the appliance. Carefully remove all chips or residue which could impair efficient operation of the appliance.
- The hob must be recessed in a work top with a thickness of min. 30 and max. 50 mm.
- Insert a separator panel at a minimum distance of 20 mm from the bottom of the hob, so that it is not accessible to the user.
- If the hob is to be fitted above an oven, the latter must be produced by the same manufacturer and equipped with a cooling system.
- Never place other materials between the hob and oven (e.g. cross-members, insulation, etc.).
- If the hob is to be installed next to a column unit, leave a distance of at least 100 mm from the edge hob. (Fig. 2)
- Make an opening in the worktop, observing the dimensions specified.
- Fit the seal supplied onto the hob (if not already present), after carefully cleaning the application surface.

ASSEMBLY:

After having cleaned the perimeter surface, apply the supplied gasket to the hob as shown in the figure 1.


Important: before installing the hob, remove any plastic protection film applied.

Ensure that the opening made in the worktop to house the hob corresponds to the dimensional drawing specifications, within the relative tolerances.

Never force the hob into the worktop.

- **For installation**, use the relative brackets and screws supplied.
- 1. Position the hob in the work top opening made respecting the dimension indicated on first page.
- NOTE:** The power supply cable must be long enough to permit its upward extraction.
- 2. To secure the hob, use the brackets **(A)** provided with it.
- 3. Fit the brackets into the relevant bores shown by the arrow and fasten them by means of their screws in accordance with the tickness of the work top. (Fig. 3).

Connecting the hob to the power supply

Note: the yellow/green earth wire must be connected to the screw marked .

If the supply cable is not already connected:


- Strip away approximately 70 mm. of the outer sheath of the cable.
- Then strip away approximately 10 mm. of the inner sheath.
- Open the terminal board by pushing the side clips in with the help of a tool.
- Insert the cable in the cable clamp and connect the wires to the terminal board (Fig. 4).
- Close the cover of the terminal board.
- After the electrical connection, fit the hob from the top and hook it to the fixing springs, as shown in fig. 3

Eco Design Declaration

- This appliance meets the eco design requirements of european regulation N. 66/2014, in conformity to the european standard EN 60350-2.


PROTECTING THE ENVIRONMENT

Disposal of packaging materials

- The packing material can all be fully recycled, as confirmed by the recycling symbol .
- The various parts of the packaging must not be sent for waste, but recycled in conformity with the regulations imposed by local authorities.

Disposal of used household appliances

- This appliance is marked according to the European directive 2012/19/EU on Waste Electrical and Electronic Equipment (WEEE). By ensuring this product is disposed of correctly, you will help prevent potential negative consequences for the environment and human health, which could otherwise be caused by inappropriate waste handling of this product.

The symbol  on the product, or on the documents accompanying the product, indicates that this appliance may not be treated as household waste. Instead it shall be handed over to the applicable collection point for the recycling of electrical and electronic equipment. Disposal must be carried out in accordance with local environmental regulations for waste disposal. For more detailed information about treatment, recovery and recycling of this product, please contact your local city office, your household waste disposal service or the shop where you purchased the product.

Energy saving

- Use pots and pans whose bottom diameter is equal to, or slightly larger than, that of the cooking zones.
- Only use flat-bottomed pots and pans.
- If possible, keep pot lids on when cooking.
- Cook vegetables, potatoes, etc. with little water in order to cut down cooking time.
- A pressure cooker allows you to save even more energy and time.

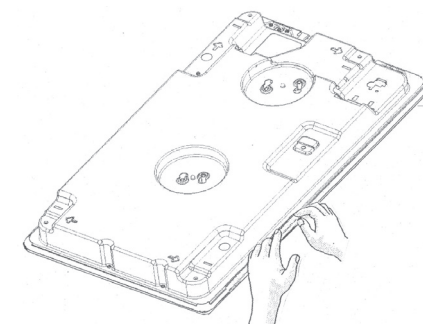


Fig. 1

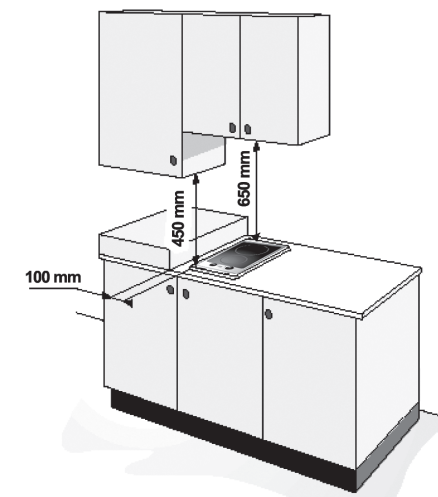


Fig. 2

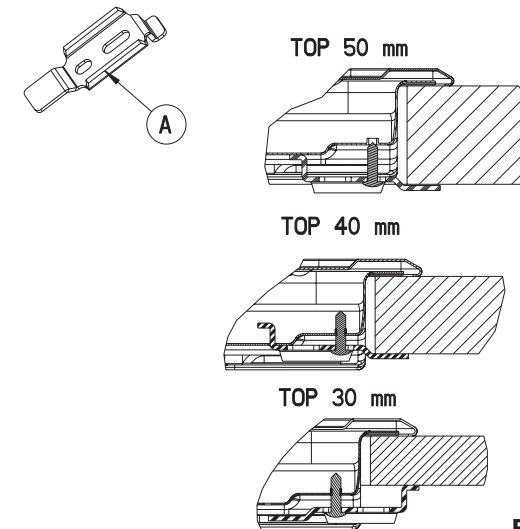


Fig. 3

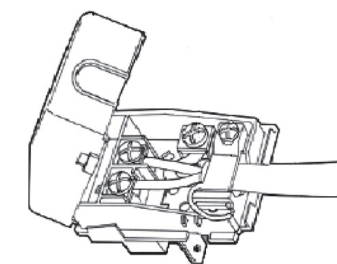


Fig. 4