

Nur für die 56 cm breite Ausführung

**For 56 cm wide version only**

Seulement pour la version de 56 cm

**Uitsluitend voor de brede uitvoering 56 cm**

Sólo para versión de 56 cm

**Apenas para a versão com 56 cm de largura**  
Solamente per versione larga 56 cm

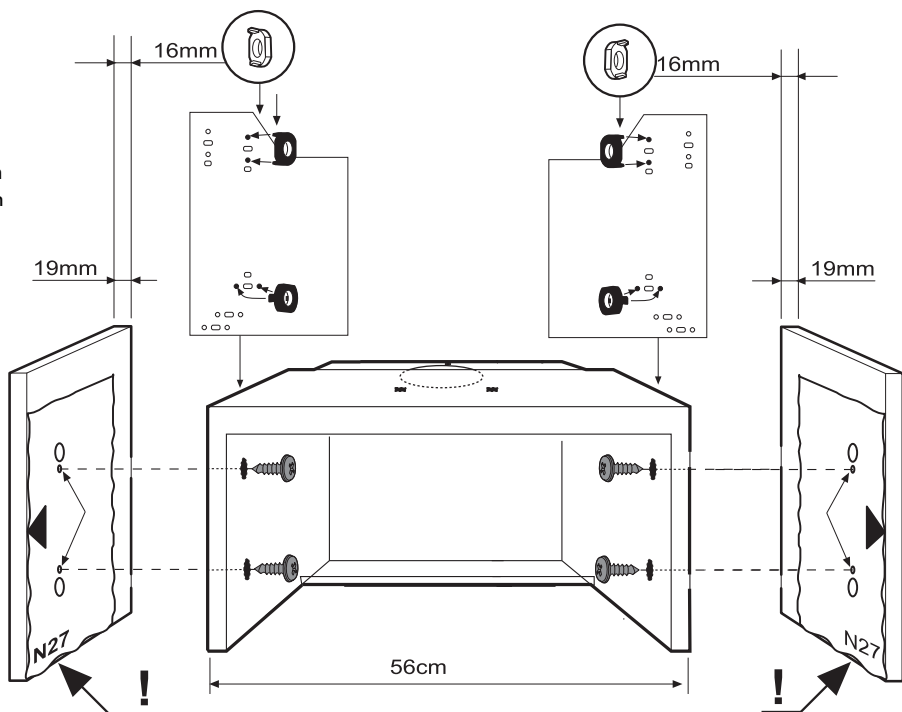
**Μόνο για μοντέλο πλάτους 56 cm**

Endast för modell med bredd 56 cm

**Gjelder kun for versjon med bredde på 56 cm**

Kun for versjonen med en bredde på 56 cm

**Vain malli, jonka leveys on 56 cm**



**FIG. I**

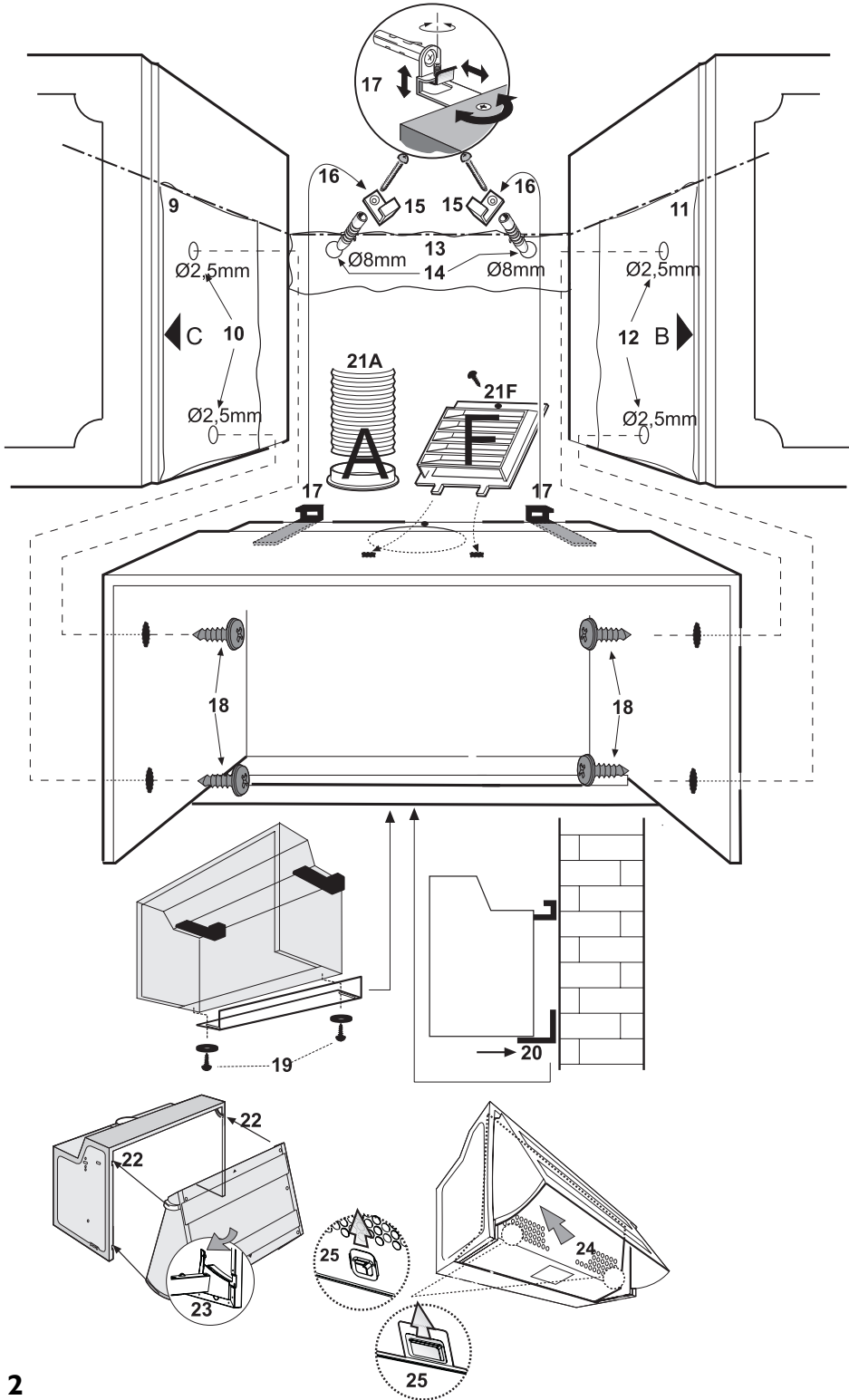


FIG. 2

## **GB** INSTALLATION AND USE

The minimum distance between the support surface of the recipients on the cooking device and the lowest part of the hood must not be less than 50 cm in case of electric cookers and 70 cm for gas or combination cookers.

**If the installation instructions for the gas cooker specify a greater distance, this must be taken into account. Do not connect the hood to the electrical power supply until installation is completed.**

**Contact a qualified technician for installation.**

**Excessively heavy product; hood handling and installation must be carried out by two or more persons.**

### **Figure 1**

Pull out the steam deflector (1);

Open the grille or grease filters by operating the special devices (2-3).

Fitting the decorative panel (not supplied with the product) on the steam deflector:

release the steam deflector: bend the tabs (one each side) inside the hood until the door is released (4).

Remove the steam deflector (5).

Drill following the special diagram (7).

Fix with 8 screws (8).

Installation of 56 cm version hood: place the spacers on the side walls of the hood, as shown in **Fig.1**.

### **Figure 2**

Before installing the hood, establish the outlet hole to be used (top or rear): open the hole by pressing on the precut part.

### **Figure 2a**

Fix the assembly diagram on the left inner side of the wall unit (9).

Drill following the diagram (10).

Fix the assembly diagram on the right inner side of the wall unit (11).

Drill following the diagram (12).

Fix the diagram on the wall (13).

Drill and insert the 2 plugs (14), fix the hooks (15) and hook the hood (16).

Apply the brackets and adjust the distance from the wall as required (17).

Fix to the wall units with the screws supplied (18).

Position the spacer according to the depth of the wall unit and tighten the 2 screws (19-20).

Fit the flange and exhaust pipe **21A** (not supplied - extractor version) or the deflector (**21F** - filtering version).

Refit the steam deflector (22), hooking it by operating the special side tabs (23).

Insert the grille or metal filters (24), operating the special devices (25).

**Extractor Version:** fumes are extracted and expelled to the outside through an exhaust duct fixed to the collar at the top of the hood.

Caution! If the hood is equipped with a carbon filter, this must be removed.

The discharge air must not be ducted to a flue used for removing fumes produced by appliances using gas or other fuels, but must have a separate outlet. All national regulations on air discharge must be observed.

**Filtering Version:** The air is filtered by a carbon filter and recycled into the surrounding environment.

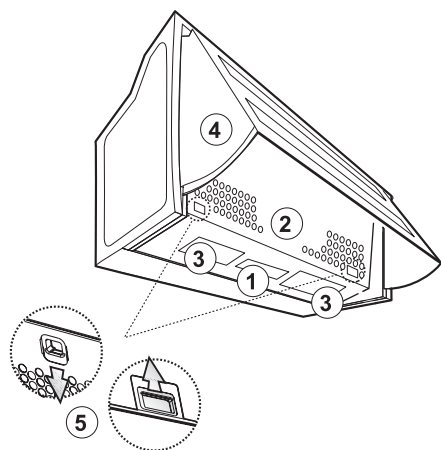
Caution! If the hood is not equipped with a carbon filter, one must be ordered and fitted before use.

# PRODUCT DESCRIPTION SHEET

## CONTROL PANEL

- Light: move the switch to the right or press the next button to switch on.
- Extraction speed: Move the switch to the right or press the next button to increase extraction speed.

With light and speed selected, the hood switches on when the steam deflector is opened, and switches off when it is closed.

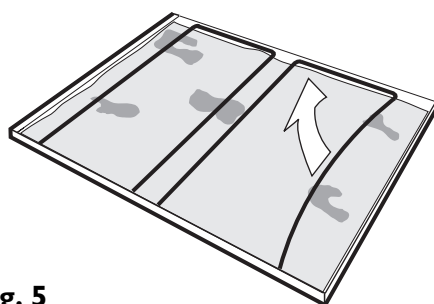


**Fig. 3**

1. Control panel.
2. Grease filters or grille.
3. Lighting unit.
4. Pull-out steam deflector.
5. Filter or grille release devices.

## Removing and renewing or washing the grease filter:

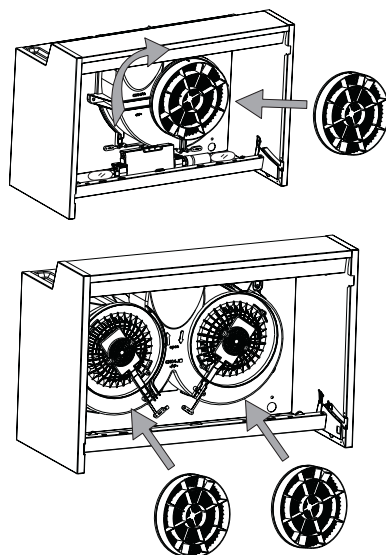
1. Unplug the appliance or disconnect the power supply.
2. Pull out the steam deflector (1 - Fig. 1).
3. Open the grille or grease filters (2,3 - Fig. 1).
4. For hood version with grille: Remove the device securing the grease filter (Fig. 5).
5. Remove the dirty grease filter.
6. After the grease filter has been replaced or cleaned (depending on model), refit the parts in reverse order, making sure the entire extraction surface is covered.



**Fig. 5**

## Fitting or replacing the carbon filter:

1. Unplug the appliance or disconnect the power supply.
2. Pull out the steam deflector (1 - Fig. 1).
3. Open the grille or grease filters (2,3 - Fig. 1).
4. If the filters are not fitted:  
Fit the carbon filter over the motor-rotor protection grille and turn clockwise until locked (Fig. 6).
5. If the carbon filter is already fitted and needs replacing, turn the carbon filter anticlockwise.
6. Refit the extractor grille or grease filters.



**Fig. 6**

## Replacing bulbs:

1. Unplug the appliance or disconnect the power supply.
2. Pull out the steam deflector (1 - Fig. 1).
3. Open the grille or grease filters (2,3 - Fig. 1).
4. Remove the burnt-out bulb.
5. Use 40W max. (E14) bulbs only.
6. Refit the extractor grille.

## PROTECTING THE ENVIRONMENT

### 1. Packaging

Packaging materials are 100% recyclable and are marked with the recycling symbol . Dispose of the appliance in conformity with local environmental regulations. Packaging materials (plastic bags, polystyrene, etc.) can be dangerous for children and should be kept well out of their reach.

### 2. Product

This appliance is marked in compliance with European Directive 2002/96/EC on Waste Electrical and Electronic Equipment (WEEE). By ensuring that this appliance is scrapped suitably, you can help prevent potentially damaging consequences for the environment and health.

The symbol on the appliance or accompanying documentation indicates that this product should not be disposed of as unsorted municipal waste but must be taken to a collection point for the treatment of WEEE.

Disposal must be carried out in accordance with local environmental regulations for waste disposal.

For further information on the treatment, recovery and recycling of this appliance, contact your competent local authority, the collection service for household waste or the shop where you purchased the appliance.



## PRECAUTIONS AND GENERAL RECOMMENDATIONS

### WARNING!

- **The appliance is not intended for use by young children or persons with restricted physical, sensory or mental abilities or without experience and knowledge of the appliance, unless they are under the supervision or instruction of a person responsible for their safety.**

- Make sure children do not play with the appliance.
1. Do not connect the appliance to the mains power supply until installation has been fully completed. Always disconnect the hood before cleaning or carrying out maintenance by unplugging it or switching off the power supply.
  2. Do not flambé food under the hood. Naked flames could cause a fire.
  3. Do not leave pans unattended when frying. Cooking oil can catch fire.
  4. Regular cleaning and maintenance is essential to correct functioning and good performance. Regularly remove dirt deposits. Regularly clean or replace filters. Never use flammable materials as hoses for extracted air.
  5. If the hood is used together with other appliances powered by gas or other fuels, ambient negative pressure must not exceed 4Pa (4 x 10<sup>-5</sup> bar). For this reason, make sure the room is adequately ventilated.
  6. Exhaust air must not be conveyed through the same flue used by the heating system or other appliances powered by gas or other fuels.
  7. The room must be adequately ventilated when the hood is used together with appliances powered by gas or other fuels.
  8. When replacing the bulbs, first ensure that they are cold.
  9. The discharge air must not be ducted to a flue used for removing fumes produced by appliances using gas or other fuels, but must have a separate outlet. All national regulations on air discharge must be observed.
  10. The hood is not a shelf. It must not be overloaded or used to carry objects

**Note:** always wear work gloves for all installation and maintenance operations.

## Electrical connections

The mains power supply must correspond to the voltage indicated on the appliance rating plate located inside the hood. If it is fitted with a plug, connect the hood to a power socket that complies with applicable standards and is in an easily accessible location. If it is not fitted with a plug (direct connection to the power supply) or if the socket is not in an easily accessible location, fit a two-pole switch in compliance with regulations, to ensure complete disconnection from the mains voltage in conditions of category III overvoltage, according to the rules for proper installation.

**WARNING: Before reconnecting the hood circuit to the mains power supply and checking correct operation, make sure the power cable is correctly fitted and that it was NOT crushed in the housing during installation.**

### Cleaning the hood

**Warning!** Failure to remove oil and grease (at least once a month) could lead to fire.

Use a soft cloth with a neutral detergent. Never use abrasive substances or alcohol.

### Before using the hood

Please read these instructions carefully and keep them for future reference, in order to ensure best use of your hood. Packaging materials (plastic bags, polystyrene, etc.) can be dangerous for children and should be kept well out of their reach. Make sure the hood has not been damaged during transport.

### Declaration of conformity

This product has been designed, manufactured and sold in compliance with the following standards:

- safety objectives of "Low Voltage" Directive 73/23/EEC
- protection requirements of "EMC" Directive 89/336/EEC amended by Directive 93/68/EEC.

### Troubleshooting guide

The hood does not work:

- Is the plug properly inserted in the power socket?
- Is there a power failure?

The hood is not extracting efficiently:

- Is the right speed selected?
- Do the filters need cleaning or replacing?
- Are the air outlets blocked?

The light does not work:

- Does the bulb need replacing?
- Is the bulb correctly fitted?

### AFTER-SALES SERVICE

Before calling the After-sales Service

1. Check if you can fix the problem yourself (see "Troubleshooting guide").
2. Switch the hood off and then on again to check if the problem has gone.
3. If the problem persists, contact the After-sales Service.

#### Specify:

- the nature of the problem,
- the model of hood, stated on the data plate inside the hood, accessible by removing the grease filters.
- your full address,
- your telephone number and area code.
- the service code (the number appearing below the word SERVICE on the data plate inside the hood behind the grease filter).

If any repairs are needed, contact an authorized Service Centre (to ensure that only original spare parts are used and that repairs are made correctly).

Failure to comply with these instructions may compromise the safety and quality of the product.

**SERVICE**



0000 000 00000