

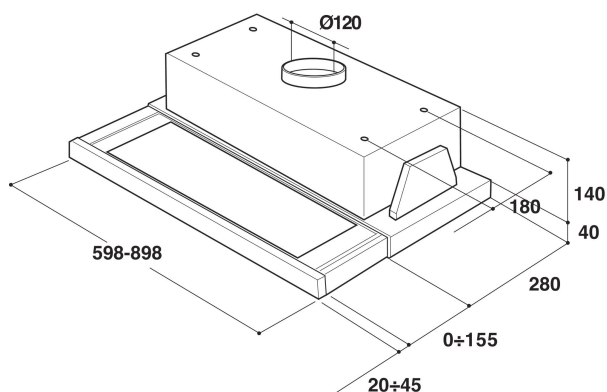
AKR 5390 IX

12NC: 857871149000

EAN code: 8003437217739



SENSING THE DIFFERENCE



MAIN FEATURES

Product group	Hood
Colour body	Inox
Material body	Metal
Colour chimney	N/A
Material chimney	N/A
Typology	Pull-out
Installation type	Built-in
Type of control	Mechanical
Type of control setting and signalling devices	-
Decor panel options	Possible and included
Motor location	Integrated motor in hood body
Operating Mode	Convertible
Connection rating (W)	156
Current (A)	0,7
Voltage (V)	220-240
Frequency (Hz)	50-60
Length of Electrical Supply Cord (cm)	150
Plug type	Schuko
Height of the chimney (mm)	0
Height of product, without chimney (mm)	211
Height of the product	180
Width of the product	599
Depth of the product	300
Minimum niche height	0
Minimum niche width	0
Niche depth	0
Net weight (kg)	6

TECHNICAL FEATURES

Type of manual control devices	Buttons
Type of automatic control devices	-
Number of motors	1
Total power of the motors (W)	100
Number of speed settings	2
Boost position	No
Maximum output air extraction (m3/h)	271
Boost position air extraction (m3/h)	0
Maximum output recirculating air (m3/h)	163
Boost position output recirculating (m3/h)	0
Light Control Type	On/off
Number of lights	2
Type of lamps used	Halogene bulb
Total power of the lamps (W)	56
Diameter of air outlet (mm)	120
No-return airflow flap	Yes
Grease filter material	Washable aluminium
Odour filter	No

ENERGY LABEL

Sound power at min. speed (2010/30/EC)	46
Sound power at max. speed (2010/30/EC)	57
Noise level with boost position (dB(A) re 1 pW)	0