

# AKT 315/IX

12NC: 859431501000

GTIN (EAN) code: 8003437809293

Whirlpool

SENSING THE DIFFERENCE



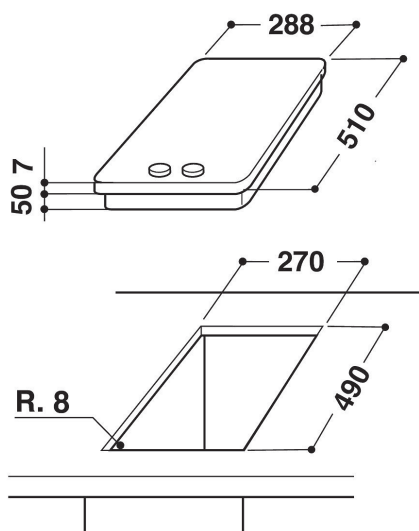
## Whirlpool hob - AKT 315/IX

This Whirlpool Hob features: electric power supply.



### Front Controls

Complete control over your cooking. Easily accessible and genuinely intuitive, the controls are conveniently positioned on the front panel of your hob, providing a frictionless cooking experience.



- Residual heat indicator
- On/Off Switch
- Front controls
- 30 cm hob
- Mechanical control
- Black Glass Hob
- 2 Radiant cooking zones
- Supply cord included
- 2 Cooking zones: 1 Radiant 1200 W, 1 Radiant 1700 W
- Dimensions HxWxD: 57x288x510 mm
- Niche dimensions HxWxD: 50x270x490 mm
- Electrical Connection Rating: 2900 W
- Voltage: 220-240 V
- Front zone: 145 mm  $\varnothing$ , 1200 W
- Rear zone: 180 mm  $\varnothing$ , 1700 W

# AKT 315/IX

12NC: 859431501000

GTIN (EAN) code: 8003437809293

**Whirlpool**

SENSING THE DIFFERENCE

## MAIN FEATURES

Product group	Hob
Construction type	Built-in
Type of control	Mechanical
Type of control settings	-
Number of gas burners	0
Number of electric cooking zones	2
Number of electric plates	0
Number of radiant plates	2
Number of halogen plates	0
Number of induction plates	0
Number of electric warming zones	0
Location of control panel	Front
Basic surface material	Glass
Main colour of product	Black
Electrical connection rating (W)	2900
Gas connection rating (W)	0
Gas type	-
Current (A)	0,2
Voltage (V)	220-240
Frequency (Hz)	50/60
Length of Electrical Supply Cord (cm)	-
Plug type	No
Gas connection	-
Width of the product	288
Height of the product	57
Depth of the product	510
Minimum niche height	50
Minimum niche width	270
Niche depth	490
Net weight (kg)	5.3
Automatic programmes	No

## TECHNICAL FEATURES

Power on indicator	-
Number of indicators	-
Type of regulation	Stepless energy regulated
Type of lid	-
Residual heat indicator	Separate
Main on/off switch	Yes
Safety device	-
Timer	No

## PERFORMANCES

Energy input	Electric
--------------	----------