

# DAILY REFERENCE GUIDE



**THANK YOU FOR BUYING A HOTPOINT PRODUCT.**  
In order to receive a more complete assistance, please register your appliance on: [www.hotpoint.eu/register](http://www.hotpoint.eu/register)

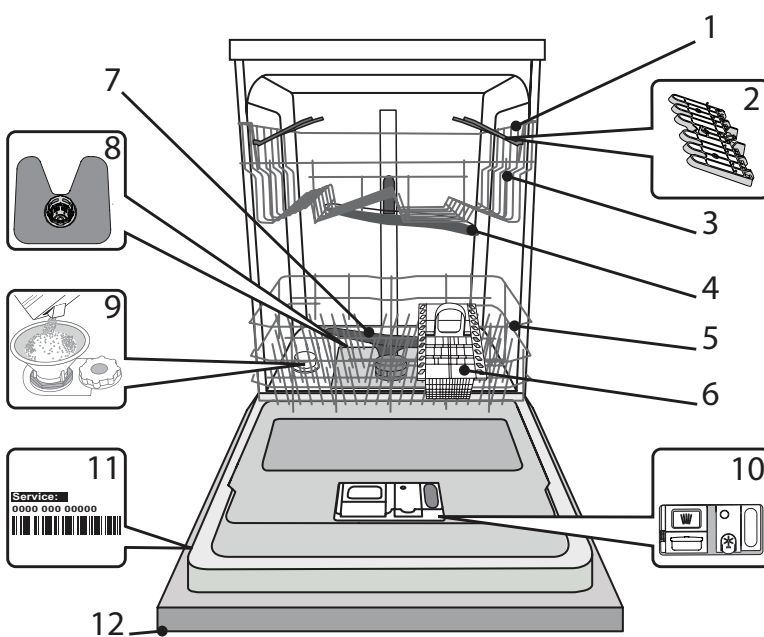


You can download the Safety Instructions and the User Manual, by visiting our website [docs.hotpoint.eu](http://docs.hotpoint.eu) and following the Instructions on the back of this booklet.

**Before using the appliance carefully read Safety Instructions guide.**

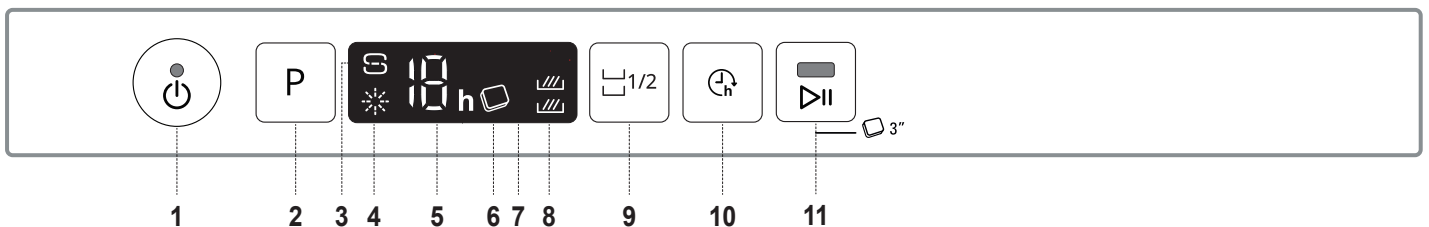
## PRODUCT DESCRIPTION

### APPLIANCE



1. Upper rack
2. Foldable flaps
3. Upper rack height adjuster
4. Upper spray arm
5. Lower rack
6. Cutlery basket
7. Lower spray arm
8. Filter Assembly
9. Salt reservoir
10. Detergent and Rinse Aid dispensers
11. Rating plate
12. Control panel

### CONTROL PANEL



1. ON-OFF/Reset button with indicator light
2. Program selection button
3. Salt refill indicator light
4. Rinse Aid refill indicator light
5. Program number and delay time indicator
6. Tablet indicator light
7. Display
8. Half Load indicator lights
9. Half Load button
10. Delay button
11. START/Pause button with indicator light / Tablet (Tab)

# FIRST TIME USE

## SALT, RINSE AID AND DETERGENT


### ADVICE REGARDING THE FIRST TIME USE

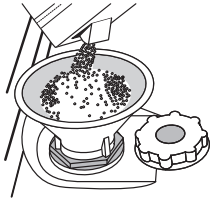
After installation, remove the stoppers from the racks and the retaining elastic elements from the upper rack.

### FILLING THE SALT RESERVOIR

The use of salt prevents the formation of LIMESCALE on the dishes and on the machine's functional components.

- It is mandatory that **THE SALT RESERVOIR NEVER BE EMPTY.**
- It is important to set the water hardness.

The salt reservoir is located in the lower part of the dishwasher (see *PRODUCT DESCRIPTION*) and must be filled when the **SALT REFILL indicator light**  in the control panel is lit.



1. Remove the lower rack and unscrew the reservoir cap (anticlockwise).
2. **Only the first time you do this: fill the salt reservoir with water.**
3. Position the funnel (see figure) and fill the salt reservoir right up to its edge (approximately 1 kg); it is not unusual for a little water to leak out.
4. Remove the funnel and wipe any salt residue away from the opening.

Make sure the cap is screwed on tightly, so that no detergent can get into the container during the wash program (this could damage the water softener beyond repair).

**Whenever you need to add salt, it is mandatory to complete the procedure before the beginning of the washing cycle to avoid corrosion.**

### SETTING THE WATER HARDNESS

To allow the water softener to work in a perfect way, it is essential that the water hardness setting is based on the actual water hardness in your house. This information can be obtained from your local water supplier.

The factory sets the default value for the water hardness.

- Switch on the appliance by pressing the **ON/OFF** button.
- Switch off the appliance by pressing the **ON/OFF** button.
- Hold down button **P** for 5 seconds, until you hear a beep.
- Switch on the appliance by pressing the **ON/OFF** button.
- The current selection level number and the salt indicator light both flash.
- Press button **P** to select the desired hardness level (see *WATER HARDNESS TABLE*).

| Water Hardness Table |           |                       |                       |                           |
|----------------------|-----------|-----------------------|-----------------------|---------------------------|
| Level                |           | °dH<br>German degrees | °fH<br>French degrees | °Clark<br>English degrees |
| 1                    | Soft      | 0 - 6                 | 0 - 10                | 0 - 7                     |
| 2                    | Medium    | 7 - 11                | 11 - 20               | 8 - 14                    |
| 3                    | Average   | 12 - 16               | 21 - 29               | 15 - 20                   |
| 4                    | Hard      | 17 - 34               | 30 - 60               | 21 - 42                   |
| 5                    | Very hard | 35 - 50               | 61 - 90               | 43 - 62                   |

- Switch off the appliance by pressing the **ON/OFF** button.

Setting is complete!

As soon as this procedure is complete, run a program without loading.


**Only use salt that has been specifically designed for dishwashers.**

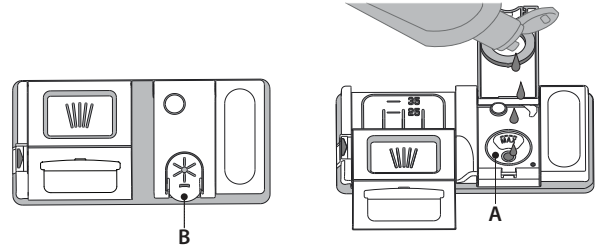
After the salt has been poured into the machine, the SALT REFILL indicator light switches off.

**If the salt container is not filled, the water softener and the heating element may be damaged as a result of limescale accumulation.**

**Using of Salt is recommended with any type of dishwasher detergent.**

### FILLING THE RINSE AID DISPENSER

Rinse aid makes dish DRYING easier. The rinse aid dispenser **A** should be filled when the **RINSE AID REFILL indicator light**  in the control panel is lit.



1. Open the dispenser **B** by pressing and pulling up the tab on the lid.
  2. Pour in the rinse aid (max.110 ml), making sure it does not overflow from the dispenser. If this happens, clean the spill immediately with a dry cloth.
  3. Press the lid down until you hear a click to close it.
- NEVER pour the rinse aid directly into the appliance tub.**

### ADJUSTING THE DOSAGE OF RINSE AID

If you are not completely satisfied with the drying results, you can adjust the quantity of rinse aid used.

- Switch the dishwasher on using the **ON/OFF** button.
- Switch it off using the **ON/OFF** button.
- Press button **P** three times - a beep will be heard.
- Switch it on using the **ON/OFF** button.
- The current selection level number and rinse aid indicator light flash.
- Press button **P** to select the level of rinse aid quantity to be supplied.
- Switch it off using the **ON/OFF** button

Setting is complete!

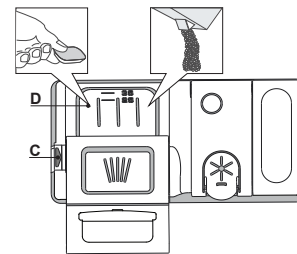
If the rinse aid level is set to ZERO (ECO), no rinse aid will be supplied. The LOW RINSE AID indicator light will not be lit if you run out of rinse aid.

A maximum of 5 levels can be set according to the dishwasher model. The factory setting is specific to the model, please follow instruction above to check this for your machine.

- If you see bluish streaks on the dishes, set a low number (1-2).
- If there are drops of water or limescale marks on the dishes, set a mid-range number (3-4).

### FILLING THE DETERGENT DISPENSER

**To open the detergent dispenser use the opening device C. Introduce the detergent into the dry dispenser D only. Place the amount of detergent for pre-washing directly inside the tub.**



1. When measuring out the detergent refer to the mentioned earlier information to add the proper quantity. Inside the dispenser **D** there are indications to help the detergent dosing.
2. Remove detergent residues from the edges of the dispenser and close the cover until it clicks.
3. Close the lid of the detergent dispenser by pulling it up until the closing device is secured in place.

The detergent dispenser automatically opens up at the right time according to the program.

If all-in-one detergents are used, we recommend using the **TABLET** button, because it adjusts the program so that the best washing and drying results are always achieved.

**Usage of detergent not designed for dishwashers may cause malfunction or damage to the appliance.**

# PROGRAMS TABLE

| Program          | Drying phase | Available options *) | Duration of wash program (h:min)** | Water consumption (litres/cycle) | Energy consumption (kWh/cycle) |
|------------------|--------------|----------------------|------------------------------------|----------------------------------|--------------------------------|
| 1. Eco           | 50°          | ✓                    | 3:35                               | 9.5                              | 0.95                           |
| 2. Intensive     | 65°          | ✓                    | 2:40                               | 18.0                             | 1.60                           |
| 3. Mixed         | 55°          | ✓                    | 2:15                               | 16.0                             | 1.40                           |
| 4. Fast Wash&Dry | 50°          | ✓                    | 1:30                               | 11.5                             | 1.30                           |
| 5. Rapid 28'     | 50°          | -                    | 0:28                               | 9.0                              | 0.50                           |
| 6. Good Night    | 50°          | ✓                    | 3:35                               | 16.6                             | 1.30                           |
| 7. Sanitizing    | 65°          | ✓                    | 2:00                               | 12.0                             | 1.50                           |
| 8. Soak          | -            | -                    | 0:12                               | 4.7                              | 0.01                           |
| 9. Self-Clean    | 65°          | -                    | 0:50                               | 10.0                             | 0.80                           |

ECO program data is measured under laboratory conditions according to European Standard EN 60436:2020.

Note for Test Laboratories:

For information on comparative EN testing conditions, please send an email to the following address: [dw\\_test\\_support@whirlpool.com](mailto:dw_test_support@whirlpool.com)

Pre-treatment of the dishes is not needed before any of the programs.

\*) Not all options can be used simultaneously.

\*\*\*) Values given for programs other than the program Eco are indicative only. The actual time may vary depending on many factors such as temperature and pressure of the incoming water, room temperature, amount of detergent, quantity and type of load, load balancing, additional selected options and sensor calibration. The sensor calibration can increase program duration up to 20 min.

## PROGRAMS DESCRIPTION

### Instructions on wash cycle selection.

#### 1 ECO

Eco programme is suitable to clean normally soiled tableware, that for this use, it is the most efficient programme in terms of its combined energy and water consumption, and that it is used to assess compliance with the EU Ecodesign legislation.

#### 2 INTENSIVE

Program recommended for heavily soiled crockery, especially suitable for pans and saucepans (not to be used for delicate items).

#### 3 MIXED

Mixed soil. For normally soiled dishes with dried food residues.

#### 4 FAST WASH&DRY

Normally soiled crockery. Everyday cycle, that ensures optimal cleaning and drying performance in shorter time.

#### 5 RAPID 28'

Program to be used for half load of lightly-soiled dishes with no dried food residues. Does not include drying phase.

#### 6 GOOD NIGHT

Suitable for night-time operation of the appliance. Ensures optimal cleaning and drying performance with the lowest noise emission.

#### 7 SANITIZING

Normally or heavily soiled crockery, with additional antibacterial wash. Can be used to perform maintenance of the dishwasher.

#### 8 SOAK

Use to refresh crockery planned to be washed later. No detergent to be used with this program.

#### 9 SELF-CLEAN

Program to be used to perform maintenance of the dishwasher, to be carried out only when the dishwasher is EMPTY using specific detergents designed for dishwasher maintenance.

#### Notes:

Please note that cycle *Rapid 28'* is dedicated for lightly soiled dishes.

---

# OPTIONS AND FUNCTIONS

---

OPTIONS can be selected directly by pressing the corresponding button (see *CONTROL PANEL*).

**If an option is not compatible with the selected program see *PROGRAMS TABLE*, the corresponding LED flashes rapidly 3 times and beeps will sound. The option will not be enabled.**

## 1/2 HALF LOAD

If there are not many dishes to be washed, a half load cycle may be used in order to save water, electricity and detergent. Select the program and press the HALF LOAD button: the indicator light will light up. Press the HALF LOAD button to deselect this option.

**Remember to halve the amount of detergent.**

## DELAY

The start time of the program may be delayed for a period of time between **1** and **12** hours.

1. Press the DELAY button: the corresponding «h» symbol appears on the display; each time you press the button, the time (1h, 2h, etc. up to max. 12h) from the start of the selected wash cycle will be increased.
2. Select the wash program, press the START/Pause button and within 4 seconds close the door: the timer will begin counting down.
3. Once this time has elapsed, the indicator light «h» switches off and the wash cycle begins.

To adjust the delay time and select a shorter period of time, press the DELAY button. To cancel it, press the button repeatedly until the selected delayed start indicator light «h» switches off.

**The DELAY function cannot be set once a wash cycle has been started**



## TABLET (Tab)

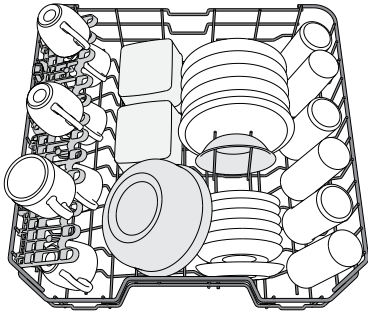
This setting allows you to optimize the performance of the program according to the type of detergent used.

Press the START/PAUSE button for 3 seconds (the corresponding symbol will light up) if you use combined detergents in tablet form (rinse aid, salt and detergent in 1 dose).

**If you use powder or liquid detergent, this option should be off.**

# LOADING THE RACKS

## UPPER RACK



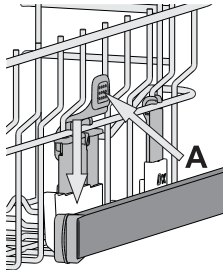
(loading example for the upper rack)

Load delicate and light dishes: glasses, cups, saucers, low salad bowls.

## ADJUSTING THE HEIGHT OF THE UPPER RACK

The height of the upper basket can be adjusted: high position to place bulky crockery in the lower basket and low position to make the most of the tip-up compartments by creating more space upwards.

The upper rack is equipped with a **Upper Rack height adjuster** (see figure), without pressing the levers, lift it up by simply holding the rack sides, as soon as the rack is stable in its upper position. To restore to the lower position, press the levers (A) at the sides of the rack and move the basket downwards.



**We strongly recommend that you do not adjust the height of the rack when it is loaded.**

**NEVER raise or lower the basket on one side only.**

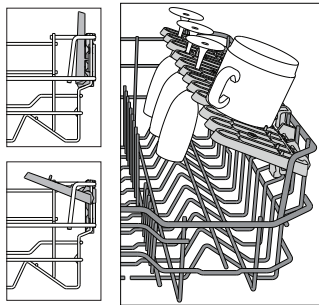
## FOLDABLE FLAPS WITH ADJUSTABLE POSITION

The side foldable flaps can be fold or unfold to optimize the arrangement of crockery inside the rack.

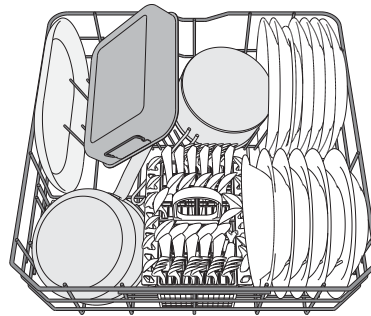
Wine glasses can be placed safely in the foldable flaps by inserting the stem of each glass into the corresponding slots.

Depending on the model:

- to unfold the flaps there is needed to slide it up and rotate or release it from the snaps and pull it down.
- to fold the flaps there is needed to rotate it and slide flaps down or pull it up and attach flaps to the snaps.



## LOWER RACK



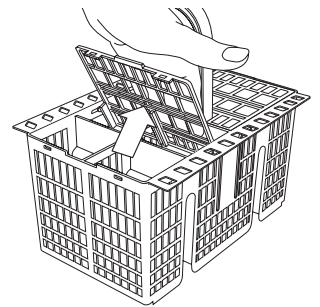
(loading example for the lower rack)

For pots, lids, plates, salad bowls, cutlery etc. Large plates and lids should ideally be placed at the sides to avoid interferences with the spray arm.

## CUTLERY BASKET

The basket is equipped with top grilles for improved cutlery arrangement. The cutlery basket should be positioned only at the front of the lower rack.

**Knives and other utensils with sharp edges must be placed in the cutlery basket with the points facing downwards or they must be positioned horizontally in the tip-up compartments on the upper rack.**



---

# DAILY USE

---

## 1. CHECK WATER CONNECTION

Check that the dishwasher is connected to the water supply and that the tap is open.

## 2. SWITCH ON THE DISHWASHER

Open the door and press the **ON/OFF** button.

## 3. LOAD THE RACKS (see *LOADING THE RACKS*).

## 4. FILLING THE DETERGENT DISPENSER

## 5. CHOOSE THE PROGRAM AND CUSTOMISE THE CYCLE

Select the most appropriate program in accordance with the type of crockery and its soiling level (see *PROGRAMS DESCRIPTION*) by pressing the **P** button.

Select the desired options (see *OPTIONS AND FUNCTIONS*).

## 6. START

Start the wash cycle by pressing **START/Pause** button (led is lit) and closing the door within 4 sec. When the program starts you hear a single beep. If the door was not closed within 4sec., the alarm sound will be played. In this case, open the door, press **START/Pause** button and close the door again within 4 sec.

## 7. END OF WASH CYCLE

The end of the wash cycle is indicated by beeps and by the flashing of the wash cycle number on the display. Open the door and switch off the appliance by pressing the **ON/OFF** button.

Wait for a few minutes before removing the crockery - to avoid burns. Unload the racks, beginning with the lower one.

**The machine will switch off automatically during certain extended periods of inactivity, in order to minimise electricity consumption. If the crockery is only lightly soiled or if it has been rinsed with water before being placed in the dishwasher, reduce the amount of detergent used accordingly.**

## MODIFYING A RUNNING PROGRAM

If a wrong program was selected, it is possible to change it, provided that it has only just begun: open the door, press and hold the **ON/OFF** button, the machine will switch off.

Switch the machine back on using the **ON/OFF** button and select the new wash cycle and any desired options; Start the wash cycle by pressing **START/Pause** button (led is lit) and closing the door within 4 sec.

## ADDING EXTRA CROCKERY

Without switching off the machine, open the door (**START/Pause** led starts blinking) (**be ware of HOT steam!**) and place the crockery inside the dishwasher. Press the **START/Pause** button and close the door within 4 sec., the cycle will resume from the point at which it was interrupted.

## ACCIDENTAL INTERRUPTIONS

If the door is opened during the wash cycle, or if there is a power cut, the cycle stops. Press the **START/Pause** button and close the door within 4 sec., the cycle will resume from the point at which it was interrupted.

---

# ADVICE AND TIPS

---

## TIPS

Before loading the baskets, remove all food residues from the crockery and empty the glasses. **You do not need to rinse beforehand under running water.**

Arrange the crockery so that it is held in place firmly and does not tip over; and arrange the containers with the openings facing downwards and the concave/convex parts placed obliquely, thus allowing the water to reach every surface and flow freely.

**Warning:** lids, handles, trays and frying pans do not prevent the sprayer arms from rotating.

Place any small items in the cutlery basket.

Very soiled dishes and pans should be placed in the lower basket because in this sector the water sprays are stronger and allow a higher washing performance.

After loading the appliance, make sure that the sprayer arms can rotate freely.

## UNSUITABLE CROCKERY

- Wooden crockery and cutlery.
- Delicate decorated glasses, artistic handicraft and antique crockery. Their decorations are not resistant.
- Parts in synthetic material which do not withstand high temperatures.
- Copper and tin crockery.
- Crockery soiled with ash, wax, lubricating grease or ink.

The colours of glass decorations and aluminium/silver pieces can change and fade during the washing process. Some types of glass (e.g. crystal objects) can become opaque after a number of wash cycles too.

## DAMAGE TO GLASS AND CROCKERY

- Only use glasses and porcelain guaranteed by the manufacturer as dishwasher safe.
- Use a delicate detergent suitable for crockery
- Collect glasses and cutlery from the dishwasher as soon as the wash cycle is over.

## TIPS ON ENERGY SAVING

- When the household dishwasher is used according to the manufacturer's instructions, **washing tableware in a dishwasher usually consumes less energy and water than hand dishwashing.**
- In order to maximize dishwasher efficiency it is recommended to **initiate the wash cycle once dishwasher is fully loaded.** Loading the household dishwasher up to the capacity indicated by the manufacturer will contribute to energy and water savings. Information on correct loading of tableware can be found in Loading chapter. In case of partial loading it is recommended to use dedicated wash options if available (Half load/ Zone Wash, Multizone), filling up only selected racks. Incorrect loading or overloading the dishwasher may increase resources usage (such as water, energy and time, as well as increase noise level), reducing cleaning and drying performance.
- Manual pre-rinsing of tableware items leads to increased water and energy consumption and is not recommended.

## HYGIENE

To avoid odour and sediment which can be accumulated in the dishwasher **please run a high temperature program at least one a month.** Use a tea spoon of detergent and run it without the loading to clean your appliance.

# CARE AND MAINTENANCE

## CLEANING THE FILTER ASSEMBLY

Regularly clean the filter assembly so that the filters do not clog and that the waste water flows away correctly.

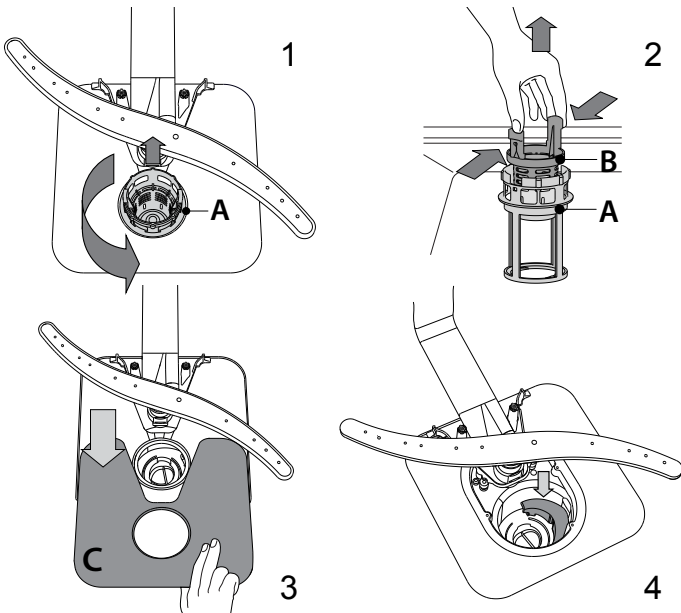
Using dishwasher with clogged filters or foreign objects inside filtration system or sprayarms may cause unit malfunction resulting in lose of performance, noisy work or higher resources usage.

The filter assembly consists of three filters which remove food residues from the washing water and then recirculate the water.

**The dishwasher must not be used without filters or if the filter is loose.**

At least once per month or after each 30 cycles, check the filter assembly and if necessary clean it thoroughly under running water, using a non-metallic brush and following the instructions below:

1. Turn the cylindrical filter **A** in an anti-clockwise direction and pull it out (Fig 1).
2. Remove the cup filter **B** by exerting a slight pressure on the side flaps (Fig 2).
3. Slide out the stainless-steel plate filter **C** (Fig 3).
4. In case you find foreign objects (such as broken glass, porcelain, bones, fruit seeds etc.) **please remove them carefully**.
5. Inspect the trap and remove any food residues. **NEVER REMOVE** the wash-cycle pump protection (black detail) (Fig 4).



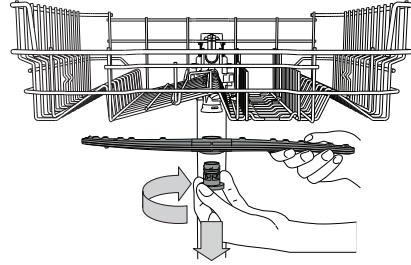
After cleaning the filters, re-place the filter assembly and fix it in position correctly; this is essential for maintaining the efficient operation of the dishwasher.

## CLEANING THE WATER INLET HOSE

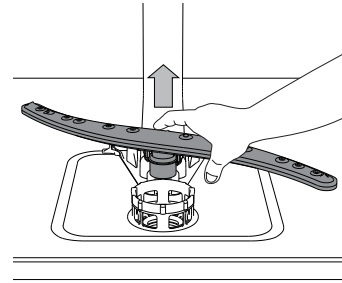
If the water hoses are new or have not been used for an extended period of time, let the water run to make sure it is clear and free of impurities before performing the necessary connections. If this precaution is not taken, the water inlet could become blocked and damage the dishwasher.

## CLEANING THE SPRAY ARMS

On occasions, food residue may become encrusted onto the spray arms and block the holes used to spray the water. It is therefore recommended that you check the arms from time to time and clean them with a small non-metallic brush.



To remove the upper spray arm, turn the plastic locking ring in a clockwise direction. The upper spray arm should be replaced so that the side with the greater number of holes is facing upwards.



The lower spray arm may be removed by pulling it upwards.

## WATER SOFTENING SYSTEM

Water softener automatically reduces water hardness, consequently preventing scale buildup on heater, contributing also to better cleaning efficiency.

**This system regenerates itself with salt, therefore it is required to refill salt container when empty.**



Frequency of regeneration depends on water hardness level setting - regeneration takes place once per **6** Eco cycles with water hardness level set to **3**.

Regeneration process starts in final rinse and finishes in drying phase, before cycle ends.

- Single regeneration consumes: ~3.5L of water;
- Takes up to 5 additional minutes for the cycle;
- Consumes below 0.005kWh of energy.

# TROUBLESHOOTING

In case your dishwasher doesn't work properly, check if the problem can be solved by going through the following list. For other errors or issues please contact authorized After-sales Service which contact details can be found in the warranty booklet. Spare parts will be available for a period of either up to 7 or up to 10 years, according to the specific Regulation requirements..

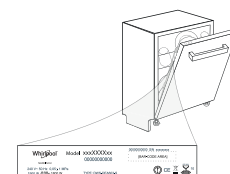
| PROBLEMS   | POSSIBLE CAUSES  | SOLUTIONS  |
|--|--|--|
|  Salt indicator is lit           | Salt reservoir is empty. (After refill the salt indicator may remain lit for several wash cycles).           | Refill reservoir with salt (for more information - see page 2).<br>Adjust water hardness - see table, page 2.  |
|  Rinse aid indicator is lit      | Rinse aid dispenser is empty. (After refill the rinse aid indicator may remain lit for several wash cycles). | Refill dispenser with rinse aid (for more information - see page 2).   |
| The dishwasher won't start or does not respond to commands.  | The appliance has not been plugged in properly.  | Insert the plug into the socket.   |
|  | Power outage.  | For safety reasons, dishwasher will not re-start automatically when power returns. Open dishwasher door, press START/Pause button and close the door within 4 seconds.   |
|  | The dishwasher door is not closed.   | Vigorously push the door until you hear the "click".   |
|  | Cycle is interrupted by door opening for more than 4 seconds.  | Press START/Pause and close the door within 4 seconds.   |
| The dishwasher won't drain.<br>Display shows: <b>3</b> and On/Off LED is blinking rapidly                        | It does not respond to commands.<br>Display shows: <b>9</b> or <b>12</b> and On/Off LED is blinking rapidly  | Switch off the appliance by pressing the ON/OFF button, switch it back on after approximately one minute and restart the program. If problem persists, unplug the appliance for 1 minute, then plug it back in.  |
|  | The wash cycle has not finished yet.   | Wait until the wash cycle finishes.  |
|  | The drain hose is bent.  | Check that the drain hose is not bent ( <i>see INSTALLATION INSTRUCTION</i> ).   |
|  | The sink drain pipe is blocked.  | Clean the sink drain pipe.   |
| The dishwasher makes excessive noise.  | The filter is clogged up with food residues.   | Clean the filter ( <i>see CLEANING THE FILTER ASSEMBLY</i> ).  |
|  | The dishes are rattling against each other.  | Position the crockery correctly ( <i>see LOADING THE RACKS</i> ).  |
|  | An excessive amount of foam has been produced.   | The detergent has not been measured out correctly or it is not suitable for use in dishwashers ( <i>see FILLING THE DETERGENT DISPENSER</i> ). Restart the current cycle by switching OFF the dishwasher, then switch it on again, select a new program, press START/Pause and close the door within 4 seconds. Please do not add any detergent. |
| The dishes are not clean.  | The crockery has not been arranged properly.   | Arrange the crockery correctly ( <i>see LOADING THE RACKS</i> ).   |
|  | The spray arms cannot rotate freely, being hindered by the dishes.   | Arrange the crockery correctly ( <i>see LOADING THE RACKS</i> ).   |
|  | The wash cycle is too gentle.  | Select an appropriate wash cycle ( <i>see PROGRAMS TABLE</i> ).  |
|  | An excessive amount of foam has been produced.   | The detergent has not been measured out correctly or it is not suitable for use in dishwashers ( <i>see FILLING THE DETERGENT DISPENSER</i> ).   |
|  | The cap on the rinse aid compartment has not been shut correctly.  | Make sure the cap of the rinse aid dispenser is closed.  |
|  | The filter is soiled or clogged.   | Clean the filter assembly ( <i>see CARE AND MAINTENANCE</i> ).   |
| The dishwasher does not fill the water.<br>Display shows: <b>H</b> , <b>6</b> and On/Off LED is blinking rapidly | There is no salt.  | Fill the salt reservoir ( <i>see FILLING THE SALT RESERVOIR</i> ).   |
|  | No water in the water supply or the tap is closed.   | Make sure there is water in the water supply or the tap running.   |
|  | The inlet hose is bent.  | Make sure the inlet hose is not bent ( <i>see INSTALLATION</i> ) reprogram the dishwasher and reboot.  |
| Dishwasher finishes the cycle prematurely.<br>Display shows: <b>15</b> and On/Off LED is blinking rapidly        | The sieve in the water inlet hose is clogged; it is necessary to clean it                                    | After having carried out the verification and cleaning, turn off and turn on the dishwasher and restart a new program.   |
|  | Drain hose positioned too low or siphoning into home sewage system.  | Check if end of drain hose is placed at correct height ( <i>see INSTALLATION</i> ). Check for siphoning into home sewage system, install air admittance valve if necessary.  |
|  | Air in water supply.   | Check water supply for leaks or other issues letting air inside.   |



Policy and standard documentation and additional product information can be found by:

- Visiting our website: [docs.hotpoint.eu](https://docs.hotpoint.eu) and [parts-selfservice.whirlpool.com](https://parts-selfservice.whirlpool.com)
- Using QR Code
- Alternatively, contact our After-sales Service (See phone number in the warranty booklet). When contacting our After-sales Service, please state the codes provided on your product's identification plate.

The model information can be retrieved using the QR-Code reported in the energy label. The label also includes the model identifier that can be used to consult the portal of the registry at <https://eprel.ec.europa.eu>.



**400011660358**

01/2023 ks - Xerox Fabriano





# ΚΑΘΗΜΕΡΙΝΗ ΑΝΑΦΟΡΑ ΠΡΟΒΛΗΜΑΤΩΝ



**ΣΑΣ ΕΥΧΑΡΙΣΤΟΥΜΕ ΠΟΥ ΑΓΟΡΑΣΑΤΕ ΕΝΑ ΠΡΟΪΟΝ  
HOTPOINT.** Για να έχετε πιο ολοκληρωμένη τεχνική  
υποστήριξη, καταχωρήστε τη συσκευή σας στην  
ιστοσελίδα: [www.hotpoint.eu/register](http://www.hotpoint.eu/register)

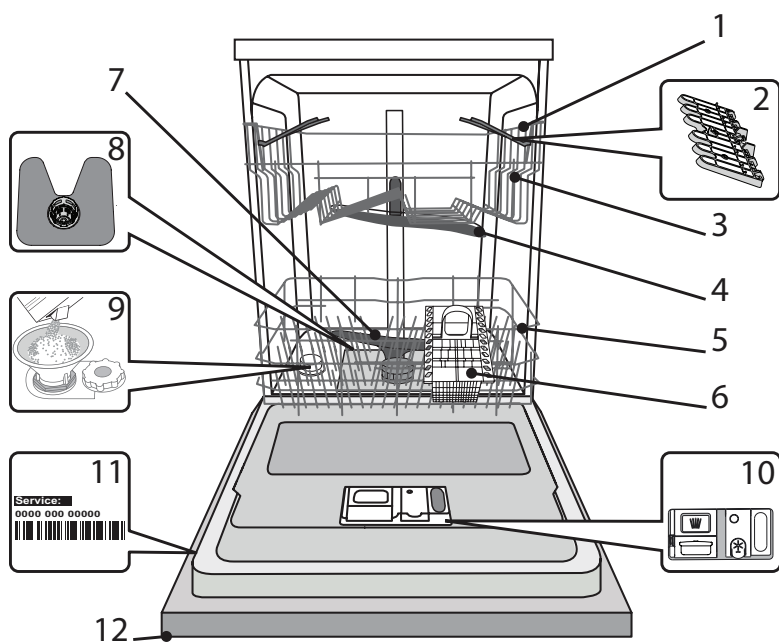


Μπορείτε να κατεβάσετε τις Οδηγίες για την ασφάλεια  
και το Εγχειρίδιο χρήσης, μεταβαίνοντας στην  
ιστοσελίδα μας [docs.hotpoint.eu](http://docs.hotpoint.eu) και ακολουθώντας  
τις οδηγίες στην πίσω πλευρά αυτού του φυλλαδίου.

**Διαβάστε τις Οδηγίες προσεκτικά πριν χρησιμοποιήσετε τη συσκευή.**

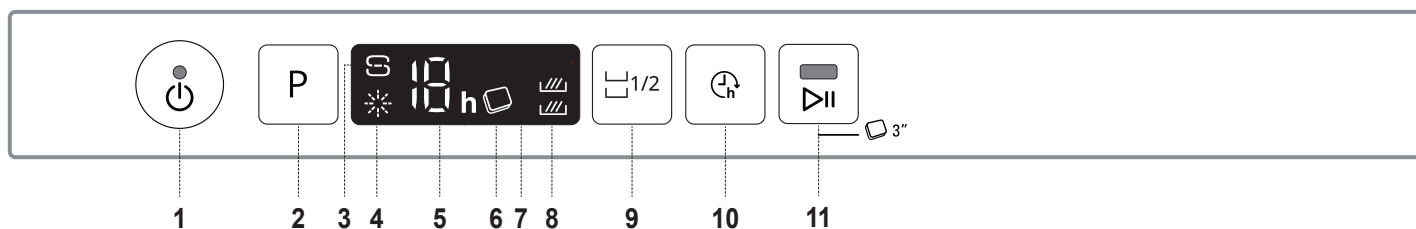
## ΠΕΡΙΓΡΑΦΗ ΠΡΟΪΟΝΤΟΣ

### ΣΥΣΚΕΥΗ



1. Επάνω καλάθι
2. Αναδιπλούμενα πτερύγια
3. Ρυθμιστής ύψους άνω καλαθιού
4. Πάνω εκτοξευτήρας
5. Κάτω καλάθι
6. Καλάθι για μαχαιροπίρουνα
7. Κάτω εκτοξευτήρας
8. Σύστημα φίλτρου
9. Δοχείο αλατιού
10. Δοχεία απορρυπαντικού και λαμπруντικού
11. Πινακίδα τεχνικών στοιχείων
12. Πίνακας ελέγχου

### ΠΙΝΑΚΑΣ ΕΛΕΓΧΟΥ



1. Κουμπί On/Off με ενδεικτική λυχνία
2. Κουμπί επιλογής προγραμμάτων
3. Ενδεικτική λυχνία επαναπλήρωσης αλατιού
4. Ενδεικτική λυχνία επαναπλήρωσης λαμπруντικού
5. Αριθμός προγράμματος και ένδειξη χρόνου καθυστέρησης
6. Ενδεικτική λυχνία ταμπλέτας (Tab)
7. Οθόνη
8. Ενδεικτική λυχνία Μισο Φορτίο
9. Κουμπί Μισο Φορτίο
10. Κουμπί καθυστέρησης
11. Κουμπί "Έναρξη/Παύση" με ενδεικτική λυχνία / Ταμπλέτα (Tab)

# ΠΡΩΤΗ ΧΡΗΣΗ

## ΑΛΑΤΙ, ΛΑΜΠΡΥΝΤΙΚΟ ΚΑΙ ΑΠΟΡΡΥΠΑΝΤΙΚΟ

### ΣΥΣΤΑΣΗ ΓΙΑ ΤΗΝ ΠΡΩΤΗ ΧΡΗΣΗ

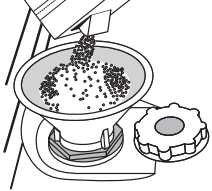
Μετά την εγκατάσταση, αφαιρέστε τα στοπ από τα καλάθια και τα ελαστικά στοιχεία συγκράτησης από το επάνω καλάθι.

### ΠΛΗΡΩΣΗ ΤΟΥ ΔΟΧΕΙΟΥ ΑΛΑΤΙΟΥ

Η χρήση αλατιού αποτρέπει το σχηματισμό ΑΛΑΤΩΝ στα πιάτα και στα λειτουργικά μέρη της συσκευής.

- Είναι υποχρεωτικό το **ΔΟΧΕΙΟ ΑΛΑΤΙΟΥ ΝΑ ΜΗΝ ΕΙΝΑΙ ΠΟΤΕ ΑΔΕΙΟ**.
- Είναι σημαντικό να ρυθμιστεί η σκληρότητα του νερού.

Το δοχείο αλατιού βρίσκεται στην κάτω πλευρά του πλυντηρίου πιάτων (βλ. ΠΕΡΙΓΡΑΦΗ ΠΡΟΪΟΝΤΟΣ) και πρέπει να γεμίζεται όταν ανάβει η **ενδεικτική λυχνία ΑΝΑΠΛΗΡΩΣΗΣ ΑΛΑΤΙΟΥ** στον πίνακα ελέγχου.



1. Αφαιρέστε το κάτω καλάθι και ξεβιδώστε το πώμα του δοχείου (αριστερόστροφα).
2. **Μόνο την πρώτη φορά που το κάνετε αυτό: γεμίστε το δοχείο αλατιού με νερό.**
3. Τοποθετήστε το χωνί (βλ. εικόνα) και γεμίστε το δοχείο αλατιού μέχρι το άνω χείλος (περίπου 1 kg). Δεν είναι ασυνήθιστο φαινόμενο να διαρρέυσει λίγο νερό.
4. Αφαιρέστε το χωνί και καθαρίστε τυχόν υπολείμματα αλατιού από το άνοιγμα.

Βεβαιωθείτε ότι το πώμα είναι καλά βιδωμένο, ώστε να μην εισέρχεται απορρυπαντικό στο δοχείο κατά τη διάρκεια του προγράμματος πλύσης (αυτό μπορεί να προκαλέσει ζημιά στον αποσκληρυντή και να φτάσει έως την ανάγκη επισκευής).

**Κάθε φορά που χρειάζεται να προσθέσετε αλάτι, είναι υποχρεωτικό η διαδικασία να ολοκληρώνεται πριν από την έναρξη του κύκλου πλύσης για να αποφευχθεί η διάβρωση.**

### ΡΥΘΜΙΣΗ ΣΚΛΗΡΟΤΗΤΑΣ ΝΕΡΟΥ

Για να μπορέσει να λειτουργήσει τέλεια ο αποσκληρυντής νερού, είναι σημαντικό η ρύθμιση της σκληρότητας νερού να γίνεται στην πραγματική σκληρότητα νερού του σπιτιού σας. Μπορείτε να έχετε αυτήν την πληροφορία από τον τοπικό πάροχο νερού.

Από το εργοστάσιο ρυθμίζεται η προεπιλεγμένη τιμή για τη σκληρότητα του νερού.

- Ενεργοποιήστε τη συσκευή πιέζοντας το κουμπί **ON/OFF**.
- Απενεργοποιήστε τη συσκευή πιέζοντας το κουμπί **ON/OFF**.
- Κρατήστε πατημένο το κουμπί **P** για 5 δευτερόλεπτα έως ότου ακούσετε ένα μπιπ.
- Ενεργοποιήστε τη συσκευή πιέζοντας το κουμπί **ON/OFF**.
- Ο αριθμός επιπέδου της τρέχουσας επιλογής και η ενδεικτική λυχνία αλατιού αναβοσβήνουν.
- Πιέστε το κουμπί **P** για να επιλέξετε το επιθυμητό επίπεδο σκληρότητας (βλ. ΠΙΝΑΚΑΣ ΣΚΛΗΡΟΤΗΤΑΣ ΝΕΡΟΥ).

| Πίνακας σκληρότητας νερού |             |                               |                             |                                |
|---------------------------|-------------|-------------------------------|-----------------------------|--------------------------------|
| Επίπεδο                   |             | °dH<br>Γερμανικούς<br>βαθμούς | °fH<br>Γαλλικούς<br>βαθμούς | °Clark<br>Αγγλικούς<br>βαθμούς |
| 1                         | Μελάτα      | 0 - 6                         | 0 - 10                      | 0 - 7                          |
| 2                         | Μεσαία      | 7 - 11                        | 11 - 20                     | 8 - 14                         |
| 3                         | Μέσος όρος  | 12 - 16                       | 21 - 29                     | 15 - 20                        |
| 4                         | Σφιχτά      | 17 - 34                       | 30 - 60                     | 21 - 42                        |
| 5                         | Πολύ σκληρό | 35 - 50                       | 61 - 90                     | 43 - 62                        |

- Απενεργοποιήστε τη συσκευή πιέζοντας το κουμπί **ON/OFF**. Η ρύθμιση ολοκληρώθηκε!

Μόλις ολοκληρωθεί αυτή η διαδικασία, θέστε σε λειτουργία το πρόγραμμα χωρίς φορτίο.

**Χρησιμοποιείτε μόνο αλάτι που προορίζεται ειδικά για πλυντήρια πιάτων.**

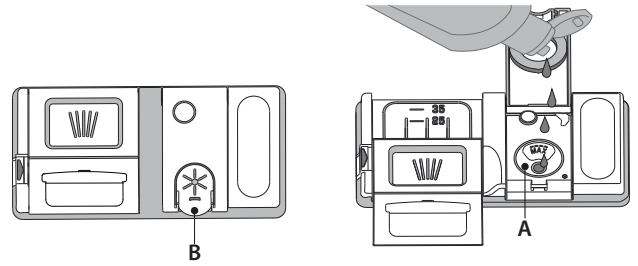
Μετά την τοποθέτηση του αλατιού στη συσκευή, η ενδεικτική λυχνία ΕΠΑΝΑΠΛΗΡΩΣΗ ΑΛΑΤΙΟΥ σβήνει.

**Αν το δοχείο αλατιού δεν είναι γεμάτο, μπορεί να προκληθεί ζημιά στον αποσκληρυντή και στο στοιχείο θέρμανσης εξαιτίας των αλάτων.**

Η χρήση αλατιού συνιστάται με οποιονδήποτε τύπο απορρυπαντικού πλυντηρίου πιάτων.

### ΠΛΗΡΩΣΗ ΘΗΚΗΣ ΛΑΜΠΡΥΝΤΙΚΟΥ

Το λαμπρυντικό διευκολύνει το ΣΤΕΓΝΩΜΑ. Η θήκη λαμπρυντικού **A** πρέπει να γεμίζει όταν στον πίνακα ελέγχου ανάβει η **ενδεικτική λυχνία ΑΝΑΠΛΗΡΩΣΗΣ ΛΑΜΠΡΥΝΤΙΚΟΥ**.



1. Ανοίξτε τη θήκη **B** πιέζοντας και τραβώντας προς τα επάνω το γλωσσίδι στο καπάκι.
2. Εισαγάγετε προσεκτικά το λαμπρυντικό έως τη μέγιστη ενδεικτική εγκοπή (110 ml) του χώρου πλήρωσης - αποφύγετε τη διαρροή. Αν διαρρέυσει, καθαρίστε αμέσως το υγρό που διέρρευσε με ένα στεγνό πανί.
3. Πιέστε κάτω το καπάκι έως ότου ακούσετε το χαρακτηριστικό κλικ κλεισίματος.

**ΠΟΤΕ μην ρίχνετε λαμπρυντικό απευθείας στον κάδο.**

### ΡΥΘΜΙΣΗ ΔΟΣΟΛΟΓΙΑΣ ΛΑΜΠΡΥΝΤΙΚΟΥ

Αν δεν είστε πλήρως ικανοποιημένοι από τα αποτελέσματα στεγνώματος, μπορείτε να ρυθμίσετε την ποσότητα λαμπρυντικού που χρησιμοποιείται.

- Ενεργοποιήστε το πλυντήριο πιάτων με το κουμπί **ON/OFF**.
- Απενεργοποιήστε το με το κουμπί **ON/OFF**.
- Πιέστε το κουμπί **P** τρεις φορές - θα ακούσετε ένα μπιπ.
- Ενεργοποιήστε το με το κουμπί **ON/OFF**.
- Ο αριθμός επιπέδου της τρέχουσας επιλογής και η ενδεικτική λυχνία λαμπρυντικού αναβοσβήνουν.
- Πιέστε το κουμπί **P** για να επιλέξετε το επίπεδο ποσότητας λαμπρυντικού που πρέπει να παρασχεθεί.
- Απενεργοποιήστε το με το κουμπί **ON/OFF**.

Η ρύθμιση ολοκληρώθηκε!

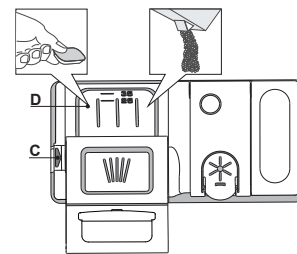
Αν το επίπεδο λαμπρυντικού έχει ρυθμιστεί στο ΜΗΔΕΝ, δεν θα παρασχεθεί καθόλου λαμπρυντικό. Η ενδεικτική λυχνία ΜΙΚΡΗ ΠΟΣΟΤΗΤΑ ΛΑΜΠΡΥΝΤΙΚΟΥ δεν θα ανάψει αν εξαντληθεί το λαμπρυντικό.

Μπορούν να ρυθμιστούν έως και 5 επίπεδα ανάλογα με το μοντέλο πλυντηρίου πιάτων. Η εργοστασιακή ρύθμιση είναι ειδική για το μοντέλο, ακολουθήστε τις παραπάνω οδηγίες για να το ελέγξετε για τη συσκευή σας.

- Αν δείτε μπλε γραμμές στα πιάτα, ρυθμίστε χαμηλότερο αριθμό (1-2).
- Αν υπάρχουν σταγόνες νερού ή σημάδια αλάτων στα πιάτα, ρυθμίστε σε μεγαλύτερο αριθμό (3-4).

### ΠΛΗΡΩΣΗ ΤΟΥ ΔΟΧΕΙΟΥ ΑΠΟΡΡΥΠΑΝΤΙΚΟΥ

Για να ανοίξετε το δοχείο απορρυπαντικού χρησιμοποιήστε τη **διάταξη ανοίγματος C**. Προσθέστε το απορρυπαντικό μόνο στο **στεγνό δοχείο D**. Τοποθετήστε την ποσότητα απορρυπαντικού για **πρόπλυση απευθείας μέσα στον κάδο**.


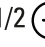
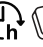


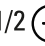
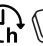

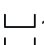
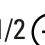


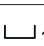
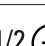


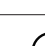
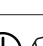
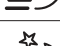
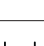

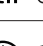

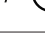


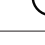

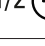


1. Όταν μετράτε το απορρυπαντικό ανατρέξτε στις προηγούμενες πληροφορίες για να προσθέσετε την κατάλληλη ποσότητα. Μέσα στη θήκη **D** υπάρχουν ενδείξεις ως βοήθημα για τη δοσομέτρηση του απορρυπαντικού.
2. Αφαιρέστε τα υπολείμματα απορρυπαντικού από τις άκρες των δοχείων πριν κλείσετε το καπάκι, έως ότου ακούσετε το κλικ.
3. Κλείστε το καπάκι του δοχείου απορρυπαντικού τραβώντας το επάνω έως ότου η διάταξη κλεισίματος ασφαλίσει στη θέση της.

Το δοχείο απορρυπαντικού αυτόματα ανοίγει τη σωστή στιγμή σύμφωνα με το πρόγραμμα. Αν χρησιμοποιούνται απορρυπαντικά όλα σε ένα, συνιστούμε να χρησιμοποιείτε το κουμπί **TAMPΛΕΤΑ**, γιατί ρυθμίζει το πρόγραμμα με τέτοιο τρόπο ώστε να επιτυγχάνονται τα καλύτερα αποτελέσματα πλυσίματος και στεγνώματος.

**Η χρήση απορρυπαντικού που δεν προορίζεται για πλυντήρια πιάτων μπορεί να προκαλέσει δυσλειτουργία ή ζημιά στη συσκευή.**

## ΠΙΝΑΚΑΣ ΠΡΟΓΡΑΜΜΑΤΩΝ

| Πρόγραμμα                    | Φάση στεγνώματος  | Διαθέσιμες επιλογές *)  | Διάρκεια προγράμματος πλυσίματος (h:min)**) | Κατανάλωση νερού (λίτρα/κύκλο) | Κατανάλωση ρεύματος (kWh/κύκλο) |
|------------------------------|---|---|---|--------------------------------|---------------------------------|
| 1. Eco                       | ECO 50°   | ✓    | 3:35  | 9,5                            | 0,95                            |
| 2. Έντονο                    |  65° | ✓    | 2:40  | 18,0                           | 1,60                            |
| 3. Μικτά                     |  55° | ✓    | 2:15  | 16,0                           | 1,40                            |
| 4. Ταχύ πλύσιμο και στέγνωμα |  50° | ✓    | 1:30  | 11,5                           | 1,30                            |
| 5. Γρήγορη πλύση 28'         |  50° | -     | 0:28  | 9,0                            | 0,50                            |
| 6. Καληνύχτα                 |  50° | ✓    | 3:35  | 16,6                           | 1,30                            |
| 7. Υγιεινή                   |  65° | ✓    | 2:00  | 12,0                           | 1,50                            |
| 8. Πρόπλυση                  |  -   | -     | 0:12  | 4,7                            | 0,01                            |
| 9. Αυτοκαθαρισμός            |  65° | -    | 0:50  | 10,0                           | 0,80                            |

Τα δεδομένα του προγράμματος ECO μετρώνται υπό εργαστηριακές συνθήκες σύμφωνα με το Ευρωπαϊκό Πρότυπο EN 60436:2020.

Σημείωση για τα Εργαστήρια Δοκιμών: για πληροφορίες για τις συνθήκες της συγκριτικής δοκιμής EN, απευθυνθείτε στη διεύθυνση:

dw\_test\_support@whirlpool.com

Δεν απαιτείται προεπεξεργασία των σκευών για κανένα πρόγραμμα.

\*) Δεν μπορούν να χρησιμοποιηθούν όλες οι επιλογές ταυτόχρονα.

\*\*) Οι τιμές που παρέχονται για τα προγράμματα, εκτός του προγράμματος Eco, είναι ενδεικτικές. Ο πραγματικός χρόνος μπορεί να διαφέρει σε συνάρτηση με πολλούς παράγοντες όπως η θερμοκρασία και η πίεση του εισερχόμενου νερού, η θερμοκρασία του χώρου, η ποσότητα απορρυπαντικού, η ποσότητα και ο τύπος φορτίου, η ισορροπία του φορτίου, οι πρόσθετες επιλογές και η βαθμονόμηση του αισθητήρα. Η βαθμονόμηση του αισθητήρα μπορεί να αυξήσει τη διάρκεια του προγράμματος έως και 20 λεπτά.

## ΠΕΡΙΓΡΑΦΗ ΠΡΟΓΡΑΜΜΑΤΩΝ

### Οδηγίες για την επιλογή κύκλου πλυσίματος.

#### 1 ECO

Το οικονομικό πρόγραμμα Eco είναι κατάλληλο για τον καθαρισμό κανονικά λερωμένων σκευών, το οποίο είναι για το σκοπό αυτό το πιο αποτελεσματικό πρόγραμμα ως προς τη συνδυασμένη κατανάλωση ενέργειας και νερού και χρησιμοποιείται για την αξιολόγηση της συμμόρφωσης με τη νομοθεσία της ΕΕ για τον οικολογικό σχεδιασμό.

#### 2 ΕΝΤΟΝΟ

Συνιστώμενο πρόγραμμα για πολύ λερωμένα οικιακά σκεύη, ιδιαίτερα κατάλληλο για τηγάνια και κατσαρόλες (δεν πρέπει να χρησιμοποιείται για ευαίσθητα σκεύη).

#### 3 ΜΙΚΤΑ

Μικτή βρωμιά. Για κανονικά λερωμένα πιάτα με ξεραμένα υπολείμματα τροφών.

#### 4 ΤΑΧΥ ΠΛΥΣΙΜΟ ΚΑΙ ΣΤΕΓΝΩΜΑ

Κανονικά λερωμένα σκεύη. Καθημερινός κύκλος που εξασφαλίζει βέλτιστη απόδοση καθαρισμού και στεγνώσης σε μικρότερο χρονικό διάστημα.

#### 5 ΓΡΗΓΟΡΗ ΠΛΥΣΗ 28'

Πρόγραμμα προς χρήση για μισό φορτίο, ελαφρά λερωμένων πιάτων χωρίς ξηρά υπολείμματα τροφίμων. Δεν έχει φάση στεγνώσης.

#### 6 ΚΑΛΗΝΥΧΤΑ

Κατάλληλο για νυχτερινή λειτουργία της συσκευής. Εξασφαλίζει βέλτιστο καθαρισμό και στεγνώση με χαμηλότερη εκπομπή θορύβου.

#### 7 ΥΓΙΕΙΝΗ

Κανονικά λερωμένα οικιακά σκεύη, με συμπληρωματικό αντιβακτηριακό καθαρισμό. Κύκλος που εκτελείται για τη συντήρηση του πλυντηρίου πιάτων.

#### 8 ΠΡΟΠΛΥΣΗ

Σκεύη που πρόκειται να πλυθούν αργότερα. Δεν χρησιμοποιείται απορρυπαντικό με αυτό το πρόγραμμα.

#### 9 ΑΥΤΟΚΑΘΑΡΙΣΜΟΣ

Πρόγραμμα που πρέπει να χρησιμοποιηθεί για τη συντήρηση του πλυντηρίου πιάτων, που πρέπει να χρησιμοποιείται μόνο όταν το πλυντήριο πιάτων είναι ΑΔΕΙΟ, χρησιμοποιώντας συγκεκριμένα απορρυπαντικά σχεδιασμένα για τη συντήρηση του πλυντηρίου πιάτων.

#### Σημειώσεις:

Πρόγραμμα Γρήγορη πλύση 28' που χρησιμοποιείται για ελαφρώς λερωμένα πιάτα χωρίς ξεραμένα υπολείμματα τροφών.

# ΕΠΙΛΟΓΕΣ ΚΑΙ ΛΕΙΤΟΥΡΓΙΕΣ

Οι ΕΠΙΛΟΓΕΣ μπορούν να γίνουν πιέζοντας απευθείας το αντίστοιχο κουμπί στον (βλ. ΠΙΝΑΚΑΣ ΕΛΕΓΧΟΥ).

**Αν μια επιλογή δεν είναι συμβατή με το επιλεγμένο πρόγραμμα (βλ. ΠΙΝΑΚΑΣ ΠΡΟΓΡΑΜΜΑΤΩΝ), το αντίστοιχο LED αναβοσβήνει γρήγορα 3 φορές και ακούγονται ήχοι μπιπ. Η επιλογή δεν θα ενεργοποιηθεί.**

## 1/2 ΜΙΣΟ ΦΟΡΤΙΟ

Αν δεν είναι αρκετά τα πιάτα που πρέπει να πλυθούν, μπορεί να χρησιμοποιηθεί το «μισό φορτίο» για να εξοικονομηθεί νερό, ηλεκτρικό ρεύμα και απορρυπαντικό. Επιλέξτε το πρόγραμμα και πιέστε το κουμπί ΜΙΣΟ ΦΟΡΤΙΟ: ανάβει η ενδεικτική λυχνία. Πιέστε το κουμπί ΜΙΣΟ ΦΟΡΤΙΟ για να ακυρώσετε αυτή την επιλογή.

**Θυμηθείτε να μειώσετε σ το μισό την ποσότητα απορρυπαντικού.**



## ΤΑΜΠΛΕΤΑ (Tab)

Η ρύθμιση αυτή παρέχει τη δυνατότητα βελτιστοποίησης της απόδοσης των προγραμμάτων ανάλογα με τον τύπο απορρυπαντικού που χρησιμοποιείται.

Πιέστε το κουμπί ΕΝΑΡΞΗ/ΠΑΥΣΗ για 3 δευτερόλεπτα (το αντίστοιχο σύμβολο ανάβει) αν χρησιμοποιείτε απορρυπαντικά συνδυασμένης δράσης σε μορφή ταμπλέτας (λαμπρυντικό, αλάτι και απορρυπαντικό σε 1 δόση).

**Αν χρησιμοποιείτε σκόνη ή υγρό απορρυπαντικό, η επιλογή αυτή πρέπει να είναι απενεργοποιημένη.**



## ΚΑΘΥΣΤΕΡΗΣΗ

Η έναρξη του προγράμματος μπορεί να καθυστερήσει για μια χρονική περίοδο από **1** έως **12** ώρες.

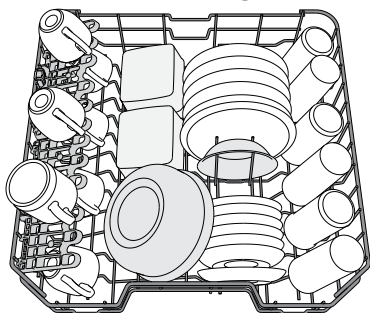
1. Πατήστε το κουμπί ΚΑΘΥΣΤΕΡΗΣΗ: στην οθόνη εμφανίζεται το αντίστοιχο σύμβολο «h», κάθε φορά που πιέζετε το κουμπί, η ώρα (1 ώρα, 2 ώρες, κ.τ.λ. έως 12 ώρες) από την έναρξη του επιλεγμένου κύκλου πλυσίματος θα αυξηθεί.
2. Επιλέξτε το πρόγραμμα πλύσης, πατήστε το κουμπί ΕΝΑΡΞΗ/ Παύση και κλείστε την πόρτα εντός 4 δευτερολέπτων: ο χρονοδιακόπτης ξεκινάει την αντίστροφη μέτρηση.
3. Μόλις περάσει αυτό το χρονικό διάστημα, η ενδεικτική λυχνία «h» σβήνει και ο κύκλος πλύσης ξεκινάει.

Για να ρυθμίσετε το χρόνο καθυστέρησης και να επιλέξετε μια μικρότερη χρονική περίοδο, πιέστε το κουμπί ΚΑΘΥΣΤΕΡΗΣΗ. Για να την ακυρώσετε, πιέστε το κουμπί επανειλημμένα έως ότου η ενδεικτική λυχνία επιλεγμένης καθυστέρησης έναρξης «h» σβήσει.

**Η λειτουργία ΚΑΘΥΣΤΕΡΗΣΗ δεν μπορεί να ρυθμιστεί όταν το πρόγραμμα έχει ξεκινήσει.**

# ΓΕΜΙΣΜΑ ΚΑΛΑΘΙΩΝ

## ΕΠΑΝΩ ΚΑΛΑΘΙ



(παράδειγμα γεμίσματος επάνω καλαθιού)

Τοποθετήστε ευαίσθητα και ελαφριά σκεύη: ποτήρια, φλυτζάνια, πιατάκια, μικρά μπολ σαλάτας.

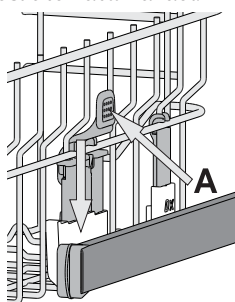
### ΡΥΘΜΙΣΗ ΥΨΟΥΣ ΤΟΥ ΕΠΑΝΩ ΚΑΛΑΘΙΟΥ

Μπορείτε να ρυθμίσετε το ύψος του επάνω καλαθιού: επάνω θέση για την τοποθέτηση σκευών μεγάλου όγκου στο κάτω καλάθι και χαμηλή θέση για την πλήρη αξιοποίηση των ανακλινόμενων ραφιών δημιουργώντας περισσότερο χώρο προς τα επάνω και αποφυγή σύγκρουσης με τα σκεύη που έχουν τοποθετηθεί στο κάτω καλάθι.

Το επάνω καλάθι εξοπλίζεται με ένα ρυθμιστή ύψους επάνω καλαθιού (βλ. εικόνα), χωρίς να πιέσετε τις λαβές, σηκώστε τον επάνω απλά κρατώντας τα πλαϊνά του καλαθιού, μόλις το καλάθι σταθεροποιηθεί στην επάνω θέση.

Για να το επαναφέρετε σε κάτω θέση, πιέστε τα λεβιεδάκια A στα πλαϊνά του καλαθιού και μετακινήστε το καλάθι προς τα κάτω.

**Συνιστάται να μην ρυθμίζετε το ύψος του καλαθιού όταν αυτό είναι γεμάτο. ΠΟΤΕ μην ανυψώνετε ή κατεβάζετε το καλάθι μόνο από τη μία πλευρά.**



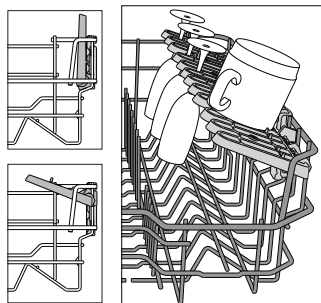
### ΑΝΑΔΙΠΛΟΥΜΕΝΑ ΠΤΕΡΥΓΙΑ ΜΕ ΡΥΘΜΙΖΟΜΕΝΗ ΘΕΣΗ

Αυτά τα πλευρικά αναδιπλούμενα πτερύγια μπορούν να διπλωθούν και να ξεδιπλωθούν προκειμένου να βελτιώσουν την τακτοποίηση των σκευών στο ράφι.

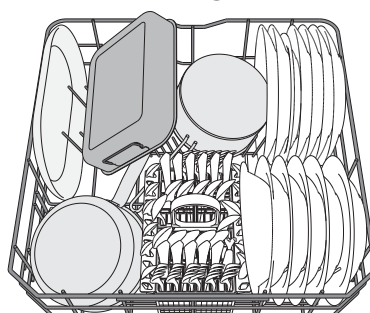
Ποτήρια κρασιού μπορούν να τοποθετηθούν με ασφάλεια στα αναδιπλούμενα πτερύγια εισάγοντας το στέλεχος κάθε ποτηριού στις αντίστοιχες υποδοχές.

Ανάλογα με το μοντέλο:

- για να ξεδιπλώσετε τα πτερύγια πρέπει να τα σύρετε επάνω και να τα περιστρέψετε ή να τα ελευθερώσετε από τι κλιπ και να τραβήξετε προς τα κάτω.
- για να διπλώσετε τα πτερύγια πρέπει να τα περιστρέψετε και να τα σύρετε προς τα κάτω ή να τα τραβήξετε επάνω και να συνδέσετε τα πτερύγια στα κλιπ.



## ΚΑΤΩ ΚΑΛΑΘΙ

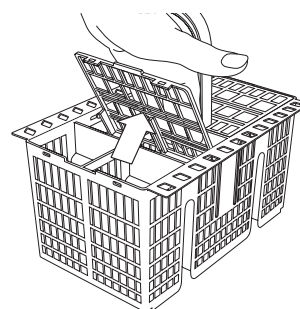


(παράδειγμα γεμίσματος του κάτω καλαθιού)

Για κατσαρόλες, καπάκια, πιάτα, πιατέλες σαλάτας, μαχαιροπίρουνα, κ.τ.λ. Η ιδανική θέση για τα μεγάλα πιάτα και τα καπάκια είναι τα πλαϊνά όπου δεν θα παρεμβάλλονται με τον εκτοξευτήρα.

### ΚΑΛΑΘΙ ΓΙΑ ΜΑΧΑΙΡΟΠΙΡΟΥΝΑ

Το ρυθμιζόμενο καλάθι εξοπλίζεται με γρίλιες επάνω για να τακτοποιούνται καλύτερα τα μαχαιροπίρουνα. Το καλάθι για μαχαιροπίρουνα πρέπει να τοποθετείται μόνο στη μπροστινή πλευρά του κάτω καλαθιού.



Τα μαχαιρία και άλλα εργαλεία κουζίνας με μυτερά άκρα πρέπει να τοποθετούνται στο καλάθι για μαχαιροπίρουνα με το μυτερό άκρο προς τα κάτω ή πρέπει να τοποθετούνται οριζόντια στα αναδιπλούμενα ράφια του επάνω καλαθιού.

# ΚΑΘΗΜΕΡΙΝΗ ΧΡΗΣΗ

## 1. ΕΛΕΓΞΤΕ ΤΗ ΣΥΝΔΕΣΗ ΝΕΡΟΥ

Βεβαιωθείτε ότι η συσκευή συνδέεται στο δίκτυο ύδρευσης και ότι η βάνα παροχής νερού είναι ανοιχτή.

## 2. ΕΝΕΡΓΟΠΟΙΗΣΤΕ ΤΟ ΠΛΥΝΤΗΡΙΟ ΠΙΑΤΩΝ

Ανοίξτε την πόρτα και πιέστε το κουμπί **ON/OFF**.

## 3. ΓΕΜΙΣΤΕ ΤΑ ΚΑΛΑΘΙΑ (βλ. ΓΕΜΙΣΜΑ ΚΑΛΑΘΙΩΝ)

## 4. ΠΛΗΡΩΣΗ ΤΟΥ ΔΟΧΕΙΟΥ ΑΠΟΡΡΥΠΑΝΤΙΚΟΥ

## 5. ΕΠΙΛΕΞΤΕ ΠΡΟΓΡΑΜΜΑ ΚΑΙ ΠΡΟΣΑΡΜΟΣΤΕ ΤΟΝ ΚΥΚΛΟ

Επιλέξτε το καταλληλότερο πρόγραμμα ανάλογα με τον τύπο οικιακών σκευών και το επίπεδο στο οποίο είναι λερωμένα (βλ. ΠΕΡΙΓΡΑΦΗ ΠΡΟΓΡΑΜΜΑΤΩΝ) πιέζοντας το κουμπί **P**. Κάντε τις επιθυμητές επιλογές (βλ. ΕΠΙΛΟΓΕΣ ΚΑΙ ΛΕΙΤΟΥΡΓΙΕΣ).

## 6. ΕΝΑΡΞΗ

Ξεκινήστε τον κύκλο πλύσης πιέζοντας το κουμπί **ΕΝΑΡΞΗ/ΠΑΥΣΗ** (το led είναι αναμμένο) και κλείνοντας την πόρτα εντός 4 δευτ. Όταν ξεκινήσει το πρόγραμμα θα ακούσετε έναν ήχο *beep*. Αν η πόρτα δεν κλείσει εντός 4 δευτ., θα ηχήσει ο συναγερμός. Σε αυτήν την περίπτωση, ανοίξτε την πόρτα, πατήστε το κουμπί **ΕΝΑΡΞΗ/ΠΑΥΣΗ** και κλείστε ξανά την πόρτα εντός 4 δευτ.

## 7. ΤΕΛΟΣ ΚΥΚΛΟΥ ΠΛΥΣΗΣ

Το τέλος του κύκλου πλύσης υποδεικνύεται με χαρακτηριστικούς ήχους *μπιπ* και με αναβόσβημα του αριθμού κύκλου πλύσης στην οθόνη. Ανοίξτε την πόρτα και απενεργοποιήστε τη συσκευή πιέζοντας το κουμπί **ON/OFF**. Περιμένετε μερικά λεπτά πριν αφαιρέσετε τα σκεύη για να αποφύγετε εγκαύματα. Βγάλτε τα καλάθια, ξεκινώντας από το κάτω.

Η συσκευή απενεργοποιείται αυτόματα κατά τη διάρκεια περιόδων αδράνειας, προκειμένου να μειώσει την κατανάλωση ρεύματος. Αν τα οικιακά σκεύη είναι μόνο ελαφρώς λερωμένα ή τα έχετε ξεπλύνει με νερό πριν τα βάλετε στο πλυντήριο πιάτων, μειώστε ανάλογα την ποσότητα απορρυπαντικού.

## ΑΛΛΑΓΗ ΤΡΕΧΟΝΤΟΣ ΠΡΟΓΡΑΜΜΑΤΟΣ

Αν έχετε επιλέξει λάθος πρόγραμμα, μπορείτε να το αλλάξετε εφόσον έχει μόλις αρχίσει: ανοίξτε την πόρτα, κρατήστε πατημένο το κουμπί **ON/OFF**, η συσκευή απενεργοποιείται.

Ενεργοποιήστε ξανά τη συσκευή με το κουμπί **ON/OFF** και επιλέξτε το νέο κύκλο πλύσης και τις λειτουργίες που επιθυμείτε. Ξεκινήστε τον κύκλο πλύσης πιέζοντας το κουμπί **ΕΝΑΡΞΗ/ΠΑΥΣΗ** και κλείνοντας την πόρτα εντός 4 δευτ.

## ΠΡΟΣΘΗΚΗ ΕΠΙΠΛΕΟΝ ΣΚΕΥΩΝ

Χωρίς να απενεργοποιήσετε τη συσκευή, ανοίξτε την πόρτα (οι λυχχνίες **ΕΝΑΡΞΗ/ΠΑΥΣΗ** αρχίζουν να αναβοσβήνουν) (**προσέξτε τον ΚΑΥΤΟ ατμό!**) και τοποθετήστε τα σκεύη στο πλυντήριο πιάτων. Πατήστε το κουμπί **ΕΝΑΡΞΗ/ΠΑΥΣΗ** και κλείστε την πόρτα εντός 4 δευτ. για να ξεκινήσει ξανά ο κύκλος από το σημείο στο οποίο διακόπηκε.

## ΤΥΧΑΙΑ ΔΙΑΚΟΠΗ

Αν η πόρτα ανοίξει κατά τη διάρκεια του κύκλου πλύσης ή εάν παρουσιαστεί διακοπή ρεύματος, ο κύκλος σταματάει. Πατήστε το κουμπί **ΕΝΑΡΞΗ/ΠΑΥΣΗ** και κλείστε την πόρτα εντός 4 δευτ. για να ξεκινήσει ξανά ο κύκλος από το σημείο στο οποίο διακόπηκε.

# ΠΛΗΡΟΦΟΡΙΕΣ ΚΑΙ ΣΥΜΒΟΥΛΕΣ

## ΣΚΕΥΗ

Πριν γεμίσετε τα καλάθια, καθαρίστε όλα τα υπολείμματα τροφών από τα οικιακά σκεύη και αδειάστε τα ποτήρια. **Δεν είναι απαραίτητο να τα ξεπλύνετε με τρεχούμενο νερό.**

Τακτοποιήστε τα σκεύη με τρόπο ώστε να διατηρηθούν σταθερά στη θέση τους και δεν θα αναποδογυρίσουν, τακτοποιήστε τα δοχεία με το άνοιγμα προς τα κάτω και τα κυρτά/κοίλα μέρη τοποθετημένα πλάγια, επιτρέποντας έτσι στο νερό να φτάσει σε κάθε επιφάνεια και να ρέει ελεύθερα.

**Προειδοποίηση:** καπάκια, χειρολαβές, δίσκοι και τηγάνια δεν πρέπει να εμποδίζουν την περιστρόφι των εκτοξευτήρων.

Τοποθετήστε τα μικρά σκεύη στο καλάθι για μαχαιροπίρουνα. Τα πολύ λερωμένα σκεύη και τηγάνια πρέπει να τοποθετούνται στο κάτω καλάθι γιατί σε αυτό το τμήμα η εκτόξευση του νερού είναι πιο δυνατή και με μεγαλύτερη απόδοση στο πλύσιμο. μετά το γέμισμα της συσκευής, βεβαιωθείτε ότι οι εκτοξευτήρες μπορούν να περιστρέφονται ελεύθερα.

## ΑΚΑΤΑΛΛΗΛΑ ΣΚΕΥΗ

- Ξύλινα σκεύη και μαχαιροπίρουνα.
- Ευαίσθητα ποτήρια με διακοσμητικά, χειροτεχνίες και παλιά σκεύη. Τα διακοσμητικά στοιχεία δεν είναι ανθεκτικά.
- Τα μέρη από συνθετικό υλικό που δεν αντέχουν σε υψηλές θερμοκρασίες.
- Σκεύη από χαλκό ή κασίτερο.
- Σκεύη λερωμένα από στάχτη, κεριά, λιπαντικό γράσο ή μελάνι.

Τα χρώματα των διακοσμητικών στο γυαλί και τα τμήμα από αλουμίνιο/ασήμι μπορεί να αλλάξουν και να ξεθωριάσουν με τη διαδικασία πλύσης. Ορισμένοι τύποι γυαλιού (π.χ. κρυστάλλινα αντικείμενα) μπορεί να θλωθούν μετά από μερικούς κύκλους πλύσης.

## ΖΗΜΙΑ ΣΤΑ ΓΥΑΛΙΝΑ ΚΑΙ ΤΑ ΣΚΕΥΗ

- Χρησιμοποιείτε μόνο γυαλίνα αντικείμενα και πορσελάνη που διασφαλίζεται από τον κατασκευαστή ότι είναι κατάλληλα για πλύσιμο σε πλυντήριο πιάτων.
- Χρησιμοποιείτε ήπιο απορρυπαντικό κατάλληλο για οικιακά σκεύη
- Αφαιρέστε τα γυαλίνα αντικείμενα και τα σκεύη από το πλυντήριο πιάτων αμέσως μόλις ολοκληρωθεί ο κύκλος πλύσης.

## ΣΥΜΒΟΥΛΕΣ ΓΙΑ ΤΗΝ ΕΞΟΙΚΟΝΟΜΗΣΗ ΕΝΕΡΓΕΙΑΣ

- Όταν το οικιακό πλυντήριο πιάτων χρησιμοποιείται σύμφωνα με τις οδηγίες του κατασκευαστή, η κατανάλωση **ΕΝΕΡΓΕΙΑΣ και νερού κατά το πλύσιμο των επιτραπέζιων σκευών σε ένα πλυντήριο πιάτων είναι συνήθως μικρότερη από το πλύσιμο στο χέρι.**
- Προκειμένου να μεγιστοποιηθεί η αποτελεσματικότητα του πλυντηρίου πιάτων, **συνιστάται η έναρξη του κύκλου πλύσης όταν το πλυντήριο πιάτων είναι εντελώς γεμάτο.** Η φόρτωση του οικιακού πλυντηρίου πιάτων μέχρι την προβλεπόμενη από τον κατασκευαστή χωρητικότητα θα συμβάλει στην εξοικονόμηση ενέργειας και νερού. Πληροφορίες σχετικά με τη σωστή φόρτωση των επιτραπέζιων σκευών μπορείτε να βρείτε στο κεφάλαιο **ΦΟΡΤΩΣΗ ΚΑΛΑΘΙΩΝ**. Σε περίπτωση μερικής φόρτωσης, συνιστάται η χρήση ειδικών επιλογών πλύσης, εφόσον υπάρχουν (Half load / Zone Wash / Multizone), για την πλήρωση μόνο επιλεγμένων καλαθιών. Η λανθασμένη φόρτωση ή η υπερφόρτωση του πλυντηρίου πιάτων μπορεί να αυξήσει τη χρήση πόρων (όπως το νερό, την ενέργεια και το χρόνο, καθώς και να αυξήσει τον θόρυβο), μειώνοντας την απόδοση καθαρισμού και στεγνώματος.
- Το ξέπλυμα στο χέρι των επιτραπέζιων ειδών πριν από την τοποθέτηση στο πλυντήριο πιάτων οδηγεί σε αυξημένη κατανάλωση νερού και ενέργειας και δεν συνιστάται.

## ΥΓΙΕΙΝΗ

Για να αποφύγετε τις οσμές και τις επικαθίσεις που μπορεί να συσσωρεύονται στο πλυντήριο πιάτων, **ενεργοποιήστε ένα πρόγραμμα υψηλής θερμοκρασίας τουλάχιστον μία φορά το μήνα.** Χρησιμοποιήστε ένα κουταλάκι απορρυπαντικού και λειτουργήστε το χωρίς να γεμίσετε ώστε να καθαρίσει η συσκευή.

# ΦΡΟΝΤΙΔΑ ΚΑΙ ΣΥΝΤΗΡΗΣΗ

## ΚΑΘΑΡΙΣΜΟΣ ΤΟΥ ΦΙΛΤΡΟΥ

Καθαρίζετε τακτικά το φίλτρο έτσι ώστε να μην μπουκώνουν τα φίλτρα και να προκαλείται ανώμαλη ροή των λυμάτων.

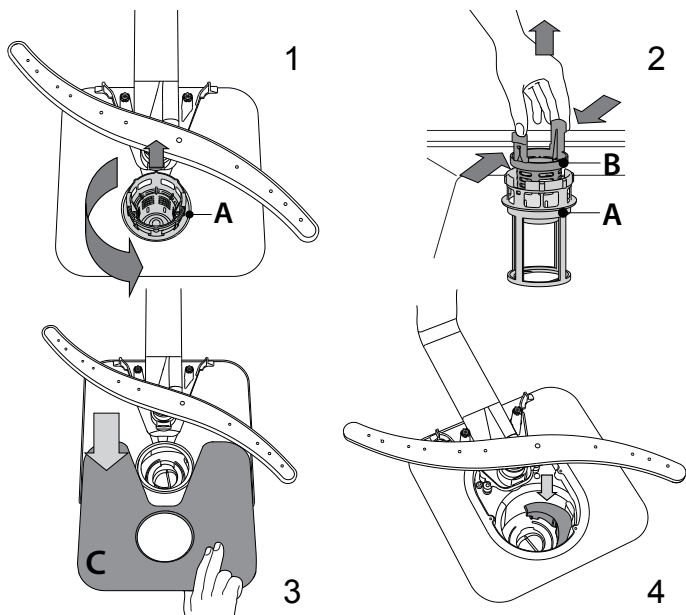
Η χρήση πλυντηρίου πιάτων με φραγμένα φίλτρα ή ξένα αντικείμενα μέσα στο σύστημα φιλτραρίσματος ή στους βραχίονες ψεκασμού μπορεί να προκαλέσει δυσλειτουργία της μονάδας που έχει ως αποτέλεσμα απώλεια απόδοσης, λειτουργία με θόρυβο ή υψηλότερη χρήση πόρων.

Το φίλτρο αποτελείται από τρία τμήματα που αφαιρούν τα υπολείμματα τροφών από το νερό πλύσης και στη συνέχεια θέτουν εκ νέου σε κυκλοφορία το νερό.

**Το πλυντήριο πιάτων δεν πρέπει να χρησιμοποιείται χωρίς φίλτρα ή με το φίλτρο χαλαρό.**

Τουλάχιστον μία φορά το μήνα ή μετά από κάθε 30 κύκλους, ελέγξτε το φίλτρο και αν είναι απαραίτητο καθαρίστε το προσεκτικά με τρεχούμενο νερό, χρησιμοποιώντας μια μη μεταλλική βούρτσα και σύμφωνα με τις παρακάτω οδηγίες:

1. Περιστρέψτε το κυλινδρικό φίλτρο **A** αριστερόστροφα και βγάλτε το (Εικ. 1).
2. Αφαιρέστε το κύπελλο φίλτρο **B** ασκώντας ελαφριά πίεση στα πλαϊνά πτερύγια (Εικ. 2).
3. Σύρετε έξω την πλάκα φίλτρο από ανοξείδωτο χάλυβα **C** (Εικ. 3).
4. Σε περίπτωση ξένων αντικειμένων (όπως σπασμένο γυαλί, πορσελάνη, οστά, σπόροι καρπών κλπ.), θα πρέπει να τα αφαιρέσετε προσεκτικά.
5. Ελέγξτε την παγίδα και αφαιρέστε τυχόν υπολείμματα τροφών. **ΠΟΤΕ ΜΗΝ ΑΦΑΙΡΕΙΤΕ** το προστατευτικό της αντλίας του κύκλου πλύσης (μαύρη λεπτομέρεια) (Εικ. 4).



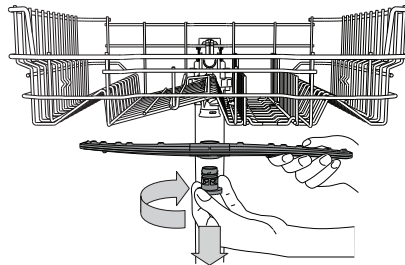
Μετά τον καθαρισμό των φίλτρων, επανατοποθετήστε το φίλτρο και στερεώστε το καλά στη θέση του. Αυτό είναι σημαντικό για να διατηρείται η αποτελεσματική λειτουργία του πλυντηρίου πιάτων.

## ΚΑΘΑΡΙΣΜΟΣ ΤΟΥ ΕΥΚΑΜΠΤΟΥ ΣΩΛΗΝΑ ΕΙΣΑΓΩΓΗΣ ΝΕΡΟΥ

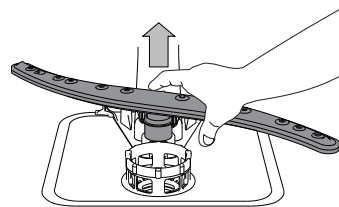
Αν οι εύκαμπτοι σωλήνες νερού είναι καινούργιοι ή δεν έχουν χρησιμοποιηθεί για μεγάλο διάστημα, πριν κάνετε τις απαραίτητες συνδέσεις, αφήστε το νερό να τρέξει προκειμένου να βεβαιωθείτε ότι είναι καθαρό και χωρίς ακαθαρσίες. Αν δεν ληφθεί αυτό το μέτρο, η παροχή νερού μπορεί να μπλοκαρισθεί και να προκληθεί ζημιά στο πλυντήριο πιάτων.

## ΚΑΘΑΡΙΣΜΟΣ ΤΩΝ ΕΚΤΟΞΕΥΤΗΡΩΝ

Σε ορισμένες περιπτώσεις τα υπολείμματα τροφών μπορεί να ξεραθούν και να σχηματίσουν κρούστα πάνω στους εκτοξευτήρες και να μπλοκάρουν τις οπές ψεκασμού του νερού. Συνιστάται να ελέγχετε τους εκτοξευτήρες κατά διαστήματα και να τους καθαρίζετε με μια μη μεταλλική βούρτσα.



Για να αφαιρέσετε τον επάνω εκτοξευτήρα, περιστρέψτε τον πλαστικό δακτύλιο ασφάλισης δεξιόστροφος. Ο επάνω εκτοξευτήρας πρέπει να επανατοποθετείται με τρόπο ώστε η πλευρά με τις περισσότερες οπές να είναι γυρισμένη προς τα επάνω.



Ο κάτω εκτοξευτήρας μπορεί να αφαιρεθεί τραβώντας προς τα επάνω.

## ΣΥΣΤΗΜΑ ΑΦΑΛΑΤΩΣΗΣ ΝΕΡΟΥ

Το αποσκληρυντικό νερού μειώνει αυτόματα τη σκληρότητα του νερού, εμποδίζοντας έτσι τη συσσώρευση αλάτων στον θερμαντήρα, συμβάλλοντας επίσης στην καλύτερη απόδοση καθαρισμού.

**Αυτό το σύστημα αναζωογονείται με αλάτι, επομένως απαιτείται να αναγεμίσετε το δοχείο αλατιού όταν είναι άδειο.**

Η συχνότητα αναγέννησης εξαρτάται από ρυθμισμένο επίπεδο σκληρότητας του νερού - η αναγέννηση πραγματοποιείται μία φορά ανά 6 κύκλους Eco με το επίπεδο σκληρότητας νερού να έχει ρυθμιστεί στο 3.

Η διαδικασία αναζωογόνησης ξεκινάει στο τελικό ξέπλυμα και τελειώνει στη φάση στέγνωσης, πριν τελειώσει ο κύκλος.

- Η απλή αναζωογόνηση καταναλώνει: ~3,5 λίτρα νερό,
- Διαρκεί έως και 5 επιπλέον λεπτά για τον κύκλο;
- Κατανάλωση ενέργειας κάτω από 0,005 kWh.

# ΑΝΤΙΜΕΤΩΠΙΣΗ ΠΡΟΒΛΗΜΑΤΩΝ

Σε περίπτωση που το πλυντήριο πιάτων δεν λειτουργεί σωστά, ελέγξτε αν το πρόβλημα μπορεί να επιλυθεί διαβάζοντας την παρακάτω λίστα. Για άλλα σφάλματα ή προβλήματα, επικοινωνήστε με την εξουσιοδοτημένη υπηρεσία εξυπηρέτησης πελατών, τα στοιχεία επικοινωνίας της οποίας μπορείτε να τα βρείτε στο φυλλάδιο εγγύησης. Τα ανταλλακτικά θα είναι διαθέσιμα για περίοδο έως 7 ή έως 10 ετών, σύμφωνα με τις ειδικές απαιτήσεις κανονισμού.

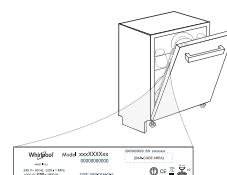
| ΠΡΟΒΛΗΜΑΤΑ   | ΠΙΘΑΝΕΣ ΑΙΤΙΕΣ   | ΛΥΣΕΙΣ  |
|--|--|---|
| <p>Η ένδειξη αλατιού είναι αναμμένη</p>  | <p>Το δοχείο αλατιού είναι άδειο. (Μετά την επαναπλήρωση, ένδειξη στάθμης αλατιού ενδέχεται να παραμείνει αναμμένη στο τέλος ορισμένων κύκλων πλύσης).</p>   | <p>Γεμίστε το δοχείο με αλάτι (για περισσότερες πληροφορίες δείτε σελίδα 2). Ρυθμίστε τη σκληρότητα του νερού, ανατρέξτε στον πίνακα στη σελίδα 2.</p>  |
| <p>Η ένδειξη λαμπρυντικού είναι αναμμένη</p>   | <p>Το δοχείο λαμπρυντικού είναι άδειο. (Μετά την επαναπλήρωση, ένδειξη στάθμης λαμπρυντικού ενδέχεται να παραμείνει αναμμένη στο τέλος ορισμένων κύκλων πλύσης).</p>   | <p>Γεμίστε το δοχείο με λαμπρυντικό (για περισσότερες πληροφορίες ανατρέξτε στη σελίδα 2).</p>  |
| <p>Το πλυντήριο πιάτων δεν ξεκινάει ή δεν ανταποκρίνεται στις εντολές.</p>   | <p>Η σύνδεση της συσκευής δεν έγινε σωστά.<br/>Διακοπή ρεύματος.<br/>Η πόρτα του πλυντηρίου δεν είναι κλειστή.<br/>Ο κύκλος διακόπηκε λόγω ανοίγματος της πόρτας για &gt; 4 δευτερόλεπτα.<br/>Δεν ανταποκρίνεται στις εντολές.<br/>Στην οθόνη εμφανίζεται: <b>9</b> ή <b>12</b> και η ενδεικτική λυχνία ON/OFF αναβοσβήνει γρήγορα</p>   | <p>Συνδέστε το φως στην πρίζα.<br/>Για λόγους ασφαλείας, το πλυντήριο πιάτων δεν θα ξεκινήσει αυτόματα όταν επανέλθει το ρεύμα. Ανοίξτε την πόρτα του πλυντηρίου πιάτων, πατήστε το κουμπί ENAPΞH/Παύση και κλείστε την πόρτα εντός 4 δευτερολέπτων.<br/>Πιέστε δυνατά την πόρτα έως ότου ακούσετε το χαρακτηριστικό "κλικ".<br/>Πατήστε ENAPΞH/Παύση και κλείστε την πόρτα εντός 4 δευτερολέπτων.<br/>Απενεργοποιήστε τη συσκευή πιέζοντας το κουμπί <b>ON/OFF</b>, ενεργοποιήστε την εκ νέου μετά από περίπου ένα λεπτό και επανεκκινήστε το πρόγραμμα. Αν το πρόβλημα παραμένει, αποσυνδέστε τη συσκευή από το ρεύμα για 1 λεπτό και μετά συνδέστε την ξανά.</p> |
| <p>Το πλυντήριο πιάτων δεν αποστραγγίζει. Στην οθόνη εμφανίζεται: <b>3</b> και η ενδεικτική λυχνία ON/OFF αναβοσβήνει γρήγορα</p>              | <p>Ο κύκλος πλύσης δεν τελείωσε ακόμη.<br/>Ο σωλήνας αποχέτευσης είναι τσακισμένος.<br/>Ο σωλήνας αποστράγγισης του νεροχύτη είναι μπλοκαρισμένος.<br/>Το φίλτρο είναι μπουκωμένο με υπολείμματα τροφών</p>  | <p>περιμένετε να τελειώσει ο κύκλος πλύσης.<br/>Βεβαιωθείτε ότι ο εύκαμπτος σωλήνας αποστράγγισης δεν είναι λυγισμένος (βλ. <b>ΟΔΗΓΙΕΣ ΕΓΚΑΤΑΣΤΑΣΗΣ</b>).<br/>Καθαρίστε το σωλήνα αποστράγγισης του νεροχύτη.<br/>Καθαρίστε το φίλτρο (βλ. <b>ΚΑΘΑΡΙΣΜΟΣ ΦΙΛΤΡΟΥ</b>).</p>  |
| <p>Το πλυντήριο πιάτων κάνει υπερβολικό θόρυβο.</p>  | <p>Τα πιάτα χτυπάνε μεταξύ τους.<br/>Παράχθηκε υπερβολική ποσότητα αφρού.</p>  | <p>Τακτοποιήστε σωστά τα οικιακά σκεύη (βλ. <b>ΦΟΡΤΩΣΗ ΤΩΝ ΚΑΛΑΘΙΩΝ</b>).<br/>Δεν μετρήθηκε σωστά το απορρυπαντικό ή δεν είναι κατάλληλο για χρήση σε πλυντήριο πιάτων (βλ. <b>ΠΛΗΡΩΣΗ ΤΗΣ ΘΗΚΗΣ ΑΠΟΡΡΥΠΑΝΤΙΚΟΥ</b>). Επαναφέρετε τον τρέχοντα κύκλο απενεργοποιώντας το πλυντήριο πιάτων, στη συνέχεια ενεργοποιήστε το ξανά, επιλέξτε ένα νέο πρόγραμμα, πατήστε ENAPΞH/Παύση και κλείστε την πόρτα εντός 4 δευτερολέπτων. Μην συμπληρώνετε άλλο απορρυπαντικό.</p>   |
| <p>Τα πιάτα δεν είναι καθαρά.</p>  | <p>Τα σκεύη δεν έχουν τακτοποιηθεί σωστά.<br/>οι εκτοξευτήρες δεν περιστρέφονται ελεύθερα, εμποδίζονται από τα πιάτα.<br/>Ο κύκλος πλύσης είναι πολύ ήπιος.<br/>Παράχθηκε υπερβολική ποσότητα αφρού.<br/>Το καπάκι του δοχείου λαμπρυντικού δεν έχει κλείσει καλά.<br/>Το φίλτρο είναι λερωμένο ή μπουκωμένο.<br/>Δεν υπάρχει αλάτι.</p> | <p>Τακτοποιήστε σωστά τα οικιακά σκεύη (βλ. <b>ΦΟΡΤΩΣΗ ΤΩΝ ΚΑΛΑΘΙΩΝ</b>).<br/>Τακτοποιήστε σωστά τα οικιακά σκεύη (βλ. <b>ΦΟΡΤΩΣΗ ΤΩΝ ΚΑΛΑΘΙΩΝ</b>).<br/>Επιλέξτε τον κατάλληλο κύκλο πλύσης (βλ. <b>ΠΙΝΑΚΑΣ ΠΡΟΓΡΑΜΜΑΤΩΝ</b>).<br/>Δεν μετρήθηκε σωστά το απορρυπαντικό ή δεν είναι κατάλληλο για χρήση σε πλυντήριο πιάτων (βλ. <b>ΠΛΗΡΩΣΗ ΤΗΣ ΘΗΚΗΣ ΑΠΟΡΡΥΠΑΝΤΙΚΟΥ</b>).<br/>βεβαιωθείτε ότι το καπάκι του δοχείου λαμπρυντικού είναι κλεισμένο.<br/>Καθαρίστε το φίλτρο (βλ. <b>ΦΡΟΝΤΙΔΑ ΚΑΙ ΣΥΝΤΗΡΗΣΗ</b>).<br/>Γεμίστε το δοχείο αλατιού (βλ. <b>ΠΛΗΡΩΣΗ ΔΟΧΕΙΟΥ ΑΛΑΤΙΟΥ</b>).</p>  |
| <p>Το πλυντήριο δεν φορτώνει νερό. Στην οθόνη εμφανίζεται: <b>H</b>, <b>6</b> και η ενδεικτική λυχνία ON/OFF αναβοσβήνει γρήγορα</p>           | <p>Δεν υπάρχει νερό στην παροχή ή η βρύση είναι κλειστή.<br/>Ο εύκαμπτος σωλήνας εισόδου είναι τσακισμένος.<br/>Το κόσκινο του σωλήνα παροχής νερού είναι φραγμένο, πρέπει να το καθαρίσετε.</p>   | <p>βεβαιωθείτε ότι υπάρχει νερό στην παροχή ή ότι η βρύση είναι ανοιχτή.<br/>Βεβαιωθείτε ότι ο εύκαμπτος σωλήνας εισόδου δεν είναι τσακισμένος (βλ. <b>ΕΓΚΑΤΑΣΤΑΣΗ</b>) επαναπρογραμματίστε ξανά το πλυντήριο πιάτων και επανεκκινήστε το.<br/>Αφού κάνετε έλεγχο και το καθαρίσετε, απενεργοποιήστε και ενεργοποιήστε ξανά το πλυντήριο πιάτων και ξεκινήστε ένα νέο πρόγραμμα.</p>  |
| <p>Το πλυντήριο πιάτων ολοκληρώνει το πλύσιμο πρόωρα. Στην οθόνη εμφανίζεται: <b>15</b> και η ενδεικτική λυχνία ON/OFF αναβοσβήνει γρήγορα</p> | <p>Ο εύκαμπτος σωλήνας αποστράγγισης είναι τοποθετημένος πολύ χαμηλά ή δημιουργείται σιφόνιο στο σύστημα αποχέτευσης.<br/>Αέρας στην παροχή νερού.</p>   | <p>Ελέγξτε ότι ο το άκρο του εύκαμπτου σωλήνα είναι τοποθετημένο στο σωστό ύψος (βλ. <b>ΕΓΚΑΤΑΣΤΑΣΗ</b>). Ελέγξτε αν δημιουργείται σιφόνιο στο σύστημα αποχέτευσης, εγκαταστήστε βαλβίδα εισαγωγής αέρα εάν είναι απαραίτητο.<br/>Ελέγξτε το σύστημα παροχής νερού για διαρροές ή άλλα πρόβλημα που επιτρέπουν την είσοδο αέρα.</p>   |



**Μπορείτε να βρείτε πολιτικές, τυπική τεκμηρίωση, παραγγελία ανταλλακτικών και πρόσθετες πληροφορίες προϊόντος:**

- Επισκεφθείτε τον ιστότοπο **docs.hotpoint.eu** και **parts-selfservice.whirlpool.com**
- Χρησιμοποιώντας τον κωδικό QR
- Εναλλακτικά, **μπορείτε να επικοινωνήσετε με την Υπηρεσία εξυπηρέτησης πελατών** (βλ. τηλεφωνικό αριθμό στο βιβλιαράκι εγγύησης). Όταν επικοινωνείτε με το Κέντρο εξυπηρέτησης πελατών, αναφέρατε τους κωδικούς που αναγράφονται στην ετικέτα αναγνώρισης προϊόντος.

Οι πληροφορίες μοντέλου μπορούν να ανακτηθούν χρησιμοποιώντας τον κωδικό QR που αναγράφεται στην ετικέτα ενέργειας. Η ετικέτα περιλαμβάνει επίσης το αναγνωριστικό μοντέλου που μπορεί να χρησιμοποιηθεί για προσπέλαση στην πύλη του μητρώου στη διεύθυνση <https://eprel.ec.europa.eu>.



**400011660358**

01/2023 ks - Xerox Fabriano

