

BI WDWG 75148 MEA

12NC: 859991567740

GTIN (EAN) code: 8003437236624



Whirlpool integrated washer dryer: 7kg - BI WDWG 75148 MEA

This Whirlpool integrated Washer Dryer features: white color. Exclusive 6th SENSE technology that constantly monitors the moisture inside the drum, protecting your clothes and providing ideal washing and drying results. A fast, resource-efficient 1400 revolutions per minute spin speed.



6th Sense Technology

Ideal fabric care. This Whirlpool Dryer's unique 6th SENSE technology provides multiple flows of warm air that delicately dry your laundry, with absolute care.



FreshCare+

Delicate steaming and tumbling action take care of your garments inside the washer dryer*. * FreshCare+ treatment, thanks to steaming and tumbling actions, inhibits the proliferation of the main bad odour sources for up to 6 hours after the washing ends and, thanks to the tumbling action, avoids the creases fixing on garments for up to 6 hours after the drying cycle ends.

Wash&Dry

With the Whirlpool washer dryer you can clean and dry clothes using a single appliance.



1400 rpm

Outstanding speed. This Whirlpool Washer Dryer features a 1400 rounds per minute spin speed.



B class

Energy efficient. This Whirlpool Dryer is an Energy Class B appliance.



7 Kg Wash capacity

All the space you need. With its 7kg wash capacity, this Whirlpool Dryer provides all the space you need for your laundry.



1 Kg laundry in 45 minutes

Enjoy better results, faster. The 45 Minute program washes and dries 1 kg of laundry in just 45 minutes, providing the excellent results you deserve, in less time.



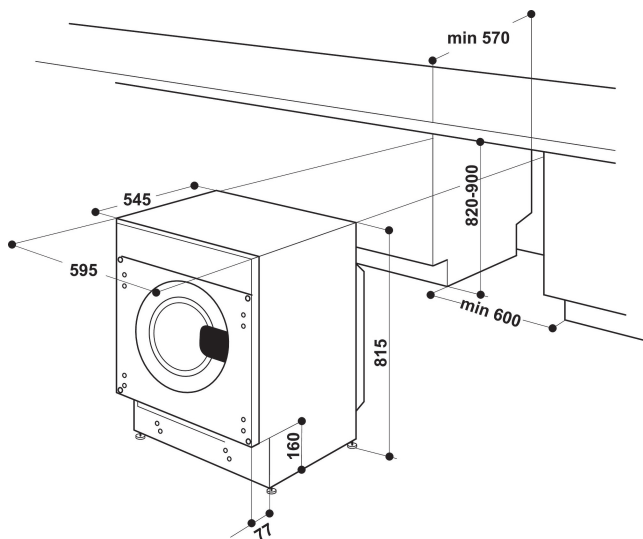
DryOnly

Allows users to get their wet laundry dry, even if they washed it by hand, without having to run the wash cycle. If you only need to dry clothes, thus this option can be used in combination with all types of programmes, skipping the wash cycle.



Wool program

Ideal wool care. Ensure your woolly items receive all the care you deserve, with the Wool program.



- Energy class B
- Drying capacity: 5 kg
- Maximum spin speed: 1400 rpm
- Washing noise 46 dB(A) / drying noise 61 dB(A) / spinning noise 73 dB(A)
- 6TH Sense Technology
- Water consumption 82 L
- FreshCare+
- Start delay 1-24h
- Wash & Dry 45 min
- Wash & Dry 90 min
- Eco cotton
- Colours 15°
- Delicates
- Program Progress Indicators
- Cotton
- Wool

BI WDWG 75148 MEA

12NC: 859991567740

GTIN (EAN) code: 8003437236624

MAIN FEATURES

Product group	Washer dryer
Commercial code	BI WDWG 75148 MEA
GTIN (EAN) code	8003437236624
Construction type	Built-in
Installation type	Built-in
Removable work top	No
Loading type	Front loader
Main colour of product	White
Electrical connection rating (W)	1850
Current (A)	10
Voltage (V)	220-240
Frequency (Hz)	50
Length of Electrical Supply Cord (cm)	120
Plug type	UK
Height of the product	815
Width of the product	595
Depth of the product	540
Depth with open door 90 degree (mm)	-
Net weight (kg)	67

TECHNICAL FEATURES

Automatic programmes	Yes
Moisture monitoring system	Yes
Adjustable drying temperature	No
Progress indicator	DISPLAY
Digital countdown indicator	No
Start delay options	Continuous
Start delay time max. (h)	0
Blocked filter indicator	No
Quick dry	No
Anti-crease function	No
Drum volume (l)	52

PERFORMANCES

Energy efficiency class	B
Spin drying class	-
Capacity cotton (kg) washing	7
Capacity cotton drying (kg)	5
Noise level (dB(A) re 1 pW) -	N/A
Noise level drying (dB (A) re 1 pW)	61
Rest humidity % on dry load after max. spin	53
Energy consumption (wash and dry of full wash load) (kWh)	5.67
Energy consumption (wash only) (kWh)	1.01
Water consumption (wash and dry full wash load) (l)	82
Total annual energy consumption (Washing and drying 200 full loads) (kWh)	1134
Total annual water consumption (Washing and drying 200 full loads) (l)	16400
Washing and drying cycle time (min)	0

Energy		Washer-dryer
Manufacturer Model		WHIRLPOOL BI WDWG 75148 MEA
More efficient		B
Less efficient		
Energy consumption (to wash and dry a full capacity wash load at 60°C)	kWh	5.67
Washing (only)	kWh	1.01
Actual energy consumption will depend on how the appliance is used		
Washing performance	A B C D E F G	A
A: higher Spin speed (rpm) G: lower		
Capacity (cotton) kg	Washing Drying	7 5
Water consumption (total) l		82
Noise (dB(A) re 1 pW)	Washing Spinning Drying	46 73 61
Further information is contained in product brochures		
Norm EN 50229 Washer-dryer Label Directive No 96/60/EC		