

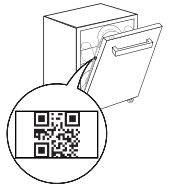
DAILY REFERENCE GUIDE



THANK YOU FOR BUYING A HOTPOINT ARISTON PRODUCT.

In order to receive a more complete assistance, please register your appliance on: www.hotpoint.eu/register

PLEASE SCAN THE QR CODE ON YOUR APPLIANCE IN ORDER TO HAVE MORE DETAILED INFORMATION

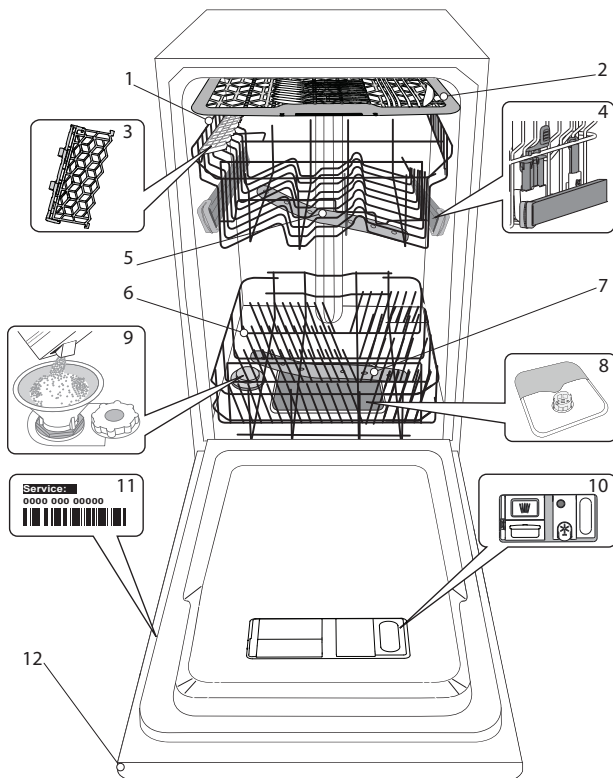


Before using the appliance carefully read Safety and Installation Instructions.

After installation, please remember to remove all transport protection parts from the dishwasher.

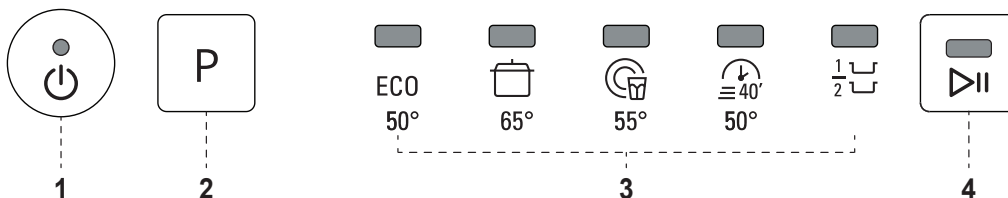
PRODUCT DESCRIPTION

APPLIANCE



1. Upper rack
2. Cutlery rack
3. Foldable flaps
4. Upper rack height adjuster
5. Upper spray arm
6. Lower rack
7. Lower spray arm
8. Filter Assembly
9. Salt reservoir
10. Detergent and Rinse Aid dispensers
11. Rating plate
12. Control panel

CONTROL PANEL



1. ON-OFF / Reset button with indicator light
2. Program selection button
3. Program indicator lights
4. START/Pause button with indicator light

FIRST TIME USE

SALT, RINSE AID AND DETERGENT

ADVICE REGARDING THE FIRST TIME USE

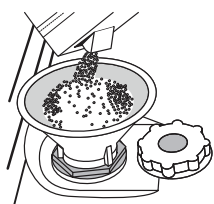
After installation, remove the stoppers from the racks and the retaining elastic elements from the upper rack.

FILLING THE SALT RESERVOIR

The use of salt prevents the formation of LIMESCALE on the dishes and on the machine's functional components.

- It is mandatory that **THE SALT RESERVOIR NEVER BE EMPTY.**
- It is important to set the water hardness.

The salt reservoir is located in the lower part of the dishwasher (see *Product Description*) and must be filled when the green float on the cap of the salt reservoir is no longer visible.



1. Remove the lower rack and unscrew the reservoir cap (anticlockwise).
2. **Only the first time you do this: fill the salt reservoir with water.**
3. Position the funnel (see figure) and fill the salt reservoir right up to its edge (approximately 1 kg); it is not unusual for a little water to leak out.
4. Remove the funnel and wipe any salt residue away from the opening.

Make sure the cap is screwed on tightly, so that no detergent can get into the container during the wash program (this could damage the water softener beyond repair).

Whenever you need to add salt, it is mandatory to complete the procedure before the beginning of the washing cycle to avoid corrosion.

SETTING THE WATER HARDNESS

To allow the water softener to work in a perfect way, it is essential that the water hardness setting is based on the actual water hardness in your house. This information can be obtained from your local water supplier. The factory sets the default value for the water hardness

- Switch on the appliance by pressing the **ON/OFF** button.
- Switch off the appliance by pressing the **ON/OFF** button.
- Hold down button **P** for 5 seconds, until you hear a beep.
- Switch on the appliance by pressing the **ON/OFF** button.
- The program indicator light of the current set level flashes.
- Press button **P** to select the desired hardness level (see *WATER HARDNESS TABLE*).

Water Hardness Table					
Level			°dH German degrees	°fH French degrees	°Clark English degrees
1	ECO	Soft	0 - 6	0 - 10	0 - 7
2		Medium	7 - 11	11 - 20	8 - 14
3		Average	12 - 16	21 - 29	15 - 20
4		Hard	17 - 34	30 - 60	21 - 42
5		Very hard	35 - 50	61 - 90	43 - 62

- Switch off the appliance by pressing the **ON/OFF** button.
- Setting is complete!

As soon as this procedure is complete, run a program without loading.

Only use salt that has been specifically designed for dishwashers.

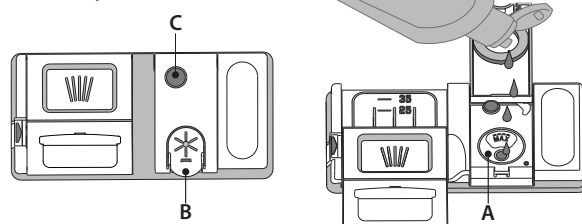
After the salt has been poured into the machine, the SALT REFILL indicator light switches off.

If the salt container is not filled, the water softener and the heating element may be damaged as a result of limescale accumulation.

Using of Salt is recommended with any type of dishwasher detergent.

FILLING THE RINSE AID DISPENSER

Rinse aid makes dish DRYING easier. The rinse aid dispenser **A** should be filled when when the dark optical indicator on the dispenser door **C** becomes transparent.



1. Open the dispenser **B** by pressing and pulling up the tab on the lid.
 2. Pour in the rinse aid (max.110 ml), making sure it does not overflow from the dispenser. If this happens, clean the spill immediately with a dry cloth.
 3. Press the lid down until you hear a click to close it.
- NEVER pour the rinse aid directly into the appliance tub.**

ADJUSTING THE DOSAGE OF RINSE AID

If you are not completely satisfied with the drying results, you can adjust the quantity of rinse aid used.

- Switch the dishwasher on using the **ON/OFF** button.
 - Switch it off using the **ON/OFF** button.
 - Press button **P** three times - a beep will be heard.
 - Switch it on using the **ON/OFF** button.
 - The program indicator light of the current set level flashes.
 - Press button **P** to select the level of rinse aid quantity to be supplied.
 - Switch it off using the **ON/OFF** button
- Setting is complete!

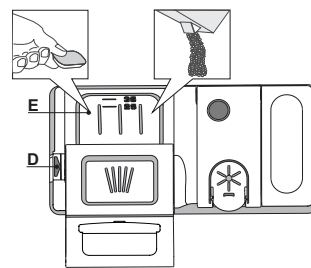
If the rinse aid level is set to 1 (ECO), no rinse aid will be supplied.

A maximum of 5 levels can be set according to the dishwasher model. The factory setting is specific to the model, please follow instruction above to check this for your machine.

- If you see bluish streaks on the dishes, set a low number (2-3).
- If there are drops of water or limescale marks on the dishes, set a mid-range number (4-5).

FILLING THE DETERGENT DISPENSER

To open the detergent dispenser use the opening device D. Introduce the detergent into the dry dispenser E only. Place the amount of detergent for pre-washing directly inside the tub.




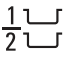


1. When measuring out the detergent refer to the mentioned earlier information to add the proper quantity. Inside the dispenser **E** there are indications to help the detergent dosing.
2. Remove detergent residues from the edges of the dispenser and close the cover until it clicks.
3. Close the lid of the detergent dispenser by pulling it up until the closing device is secured in place.

The detergent dispenser automatically opens up at the right time according to the program.

Usage of detergent not designed for dishwashers may cause malfunction or damage to the appliance.

PROGRAMS TABLE

Program	Drying phase	ActiveDry ^{*)}	Duration of wash program (h:min) ^{**)}	Water consumption (litres/cycle)	Energy consumption (kWh/cycle)
1. Eco ECO 50°	✓	✓	3:35	8.7	0.72
2. Intensive  65°	✓	✓	2:45	17.5	1.60
3. Mixed  55°	✓	✓	2:30	15.0	1.30
4. Rapid 40'  50°	-	✓	0:40	9.0	0.70
5. Half Load  55°	✓	✓	1:20	11.0	1.00

ECO program data is measured under laboratory conditions according to European Standard EN 60436:2020.

Note for Test Laboratories:

For information on comparative EN testing conditions, please send an email to the following address: dw_test_support@europeanappliances.com

Pre-treatment of the dishes is not needed before any of the programs.

*) The door opens before the program ends. This improves drying efficiency. Wait until the cycle is complete and you hear a sound signal before unloading the dishwasher.

**) Values given for programs other than the program Eco are indicative only. The actual time may vary depending on many factors such as temperature and pressure of the incoming water, room temperature, amount of detergent, quantity and type of load, load balancing, additional selected options and sensor calibration. The sensor calibration can increase program duration by up to 20 min.

PROGRAMS DESCRIPTION

Instructions on wash cycle selection.

1 ECO

Eco program is suitable to clean normally soiled tableware, that for this use, it is the most efficient program in terms of its combined energy and water consumption, and that it is used to assess compliance with the EU Ecodesign legislation.

2 INTENSIVE

Program recommended for heavily soiled crockery, especially suitable for pans and saucepans (not to be used for delicate items).

3 MIXED

Mixed soil. For normally soiled dishes with dried food residues.

4 RAPID 40'

Program to be used for half load of lightly-soiled dishes with no dried food residues. Does not have drying phase.

5 HALF LOAD

Ideal for washing a half load of lightly or normally soiled crockery.

Notes:

Please note that cycle Rapid 40' is dedicated for lightly soiled dishes.

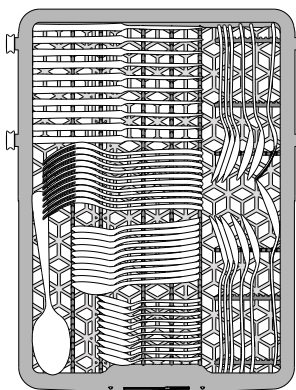
OPTIONS AND FUNCTIONS

ActiveDry is a convection drying system which automatically opens the door during/after drying phase to ensure exceptional drying performance every day. Door opens at the temperature that is safe to your kitchen furniture.

As additional steam protection, special designed protection foil is added together with the dishwasher. To see how to mount protection foil please refer to (*INSTALLATION GUIDE*).

LOADING THE RACKS

CUTLERY RACK

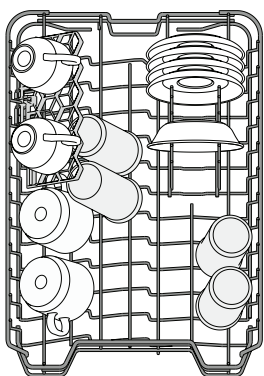


The third rack was designed to house the cutlery. Arrange the cutlery as shown in the figure.

A separate arrangement of the cutlery makes collection easier after washing and improves washing and drying performance.

Knives and other utensils with sharp edges must be positioned with the blades facing downwards.

UPPER RACK



Load delicate and light dishes: glasses, cups, saucers, low salad bowls.

(loading example for the upper rack)

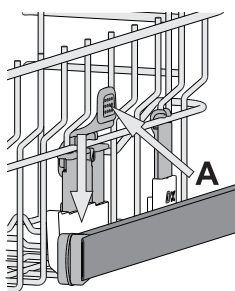
ADJUSTING THE HEIGHT OF THE UPPER RACK

The height of the upper basket can be adjusted: high position to place bulky crockery in the lower basket and low position to make the most of the tip-up compartments by creating more space upwards.

The upper rack is equipped with a **Upper Rack height adjuster** (see figure), without pressing the levers, lift it up by simply holding the rack sides, as soon as the rack is stable in its upper position. To restore to the lower position, press the levers (**A**) at the sides of the rack and move the basket downwards.

We strongly recommend that you do not adjust the height of the rack when it is loaded.

NEVER raise or lower the basket on one side only.



FOLDABLE FLAPS WITH ADJUSTABLE POSITION

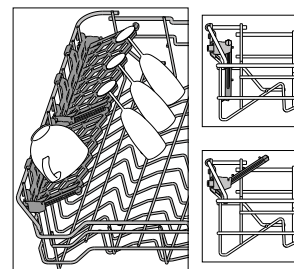
The side foldable flaps can be fold or unfold to optimize the arrangement of crockery inside the rack.

Wine glasses can be placed safely in the foldable flaps by inserting the stem of each glass into the corresponding slots.

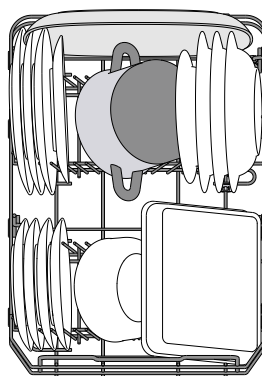
In the case of the high position of the upper rack, flaps cannot remain in the vertical position.

Depending on the model:

- to unfold the flaps there is needed to slide it up and rotate or release it from the snaps and pull it down.
- to fold the flaps there is needed to rotate it and slide flaps down or pull it up and attach flaps to the snaps.



LOWER RACK



For pots, lids, plates, salad bowls, cutlery etc... Large plates and lids should ideally be placed at the sides to avoid interferences with the spray arm.

(loading example for the lower rack)

DAILY USE

1. CHECK WATER CONNECTION

Check that the dishwasher is connected to the water supply and that the tap is open.

2. SWITCH ON THE DISHWASHER

Open the door and press the **ON/OFF** button.

3. LOAD THE RACKS (see *LOADING THE RACKS*)

4. FILLING THE DETERGENT DISPENSER

5. CHOOSE THE PROGRAM AND CUSTOMISE THE CYCLE

Select the most appropriate program in accordance with the type of crockery and its soiling level (see *PROGRAMS DESCRIPTION*) by pressing the **P** button.

6. START

Start the wash cycle by pressing **START/Pause** button (led is lit) and closing the door within 4 sec. When the program starts you hear a single beep. If the door was not closed within 4sec., the alarm sound will be played. In this case, open the door, press **START/Pause** button and close the door again within 4 sec.

7. END OF WASH CYCLE

Skalbimo ciklo pabaiga rodoma pyptelėjimu ir mirksi pasirinktos programos indikatoriaus lemputė. Open the door and switch off the appliance by pressing the **ON/OFF** button.

Wait for a few minutes before removing the crockery - to avoid burns. Unload the racks, beginning with the lower one.

The machine will switch off automatically during certain extended periods of inactivity, in order to minimise electricity consumption. If the crockery is only lightly soiled or if it has been rinsed with water before being placed in the dishwasher, reduce the amount of detergent used accordingly.

MODIFYING A RUNNING PROGRAM

If a wrong program was selected, it is possible to change it, provided that it has only just begun: open the door, press and hold the **ON/OFF** button, the machine will switch off.

Switch the machine back on using the **ON/OFF** button and select the new wash cycle and any desired options; Start the wash cycle by pressing **START/Pause** button and closing the door within 4 sec.

ADDING EXTRA CROCKERY

Without switching off the machine, open the door (**START/Pause** led starts blinking) (**be ware of HOT steam!**) and place the crockery inside the dishwasher. Press the **START/Pause** button and close the door within 4 sec., the cycle will resume from the point at which it was interrupted.

ACCIDENTAL INTERRUPTIONS

If the door is opened during the wash cycle, or if there is a power cut, the cycle stops. Press the **START/Pause** button and close the door within 4 sec., the cycle will resume from the point at which it was interrupted.

ADVICE AND TIPS

TIPS

Before loading the baskets, remove all food residues from the crockery and empty the glasses. You do not need to rinse beforehand under running water.

Arrange the crockery so that it is held in place firmly and does not tip over; and arrange the containers with the openings facing downwards and the concave/convex parts placed obliquely, thus allowing the water to reach every surface and flow freely.

Warning: lids, handles, trays and frying pans do not prevent the sprayer arms from rotating.

Place any small items in the cutlery basket.

Very soiled dishes and pans should be placed in the lower basket because in this sector the water sprays are stronger and allow a higher washing performance.

After loading the appliance, make sure that the sprayer arms can rotate freely.

UNSUITABLE CROCKERY

- Wooden crockery and cutlery.
- Delicate decorated glasses, artistic handicraft and antique crockery. Their decorations are not resistant.
- Parts in synthetic material which do not withstand high temperatures.
- Copper and tin crockery.
- Crockery soiled with ash, wax, lubricating grease or ink.

The colours of glass decorations and aluminium/silver pieces can change and fade during the washing process. Some types of glass (e.g. crystal objects) can become opaque after a number of wash cycles too.

DAMAGE TO GLASS AND CROCKERY

- Only use glasses and porcelain guaranteed by the manufacturer as dishwasher safe.
- Use a delicate detergent suitable for crockery
- Collect glasses and cutlery from the dishwasher as soon as the wash cycle is over.

TIPS ON ENERGY SAVING

- When the household dishwasher is used according to the manufacturer's instructions, **washing tableware in a dishwasher usually consumes less energy and water than hand dishwashing.**
- In order to maximize dishwasher efficiency it is recommended to **initiate the wash cycle once dishwasher is fully loaded.** Loading the household dishwasher up to the capacity indicated by the manufacturer will contribute to energy and water savings. Information on correct loading of tableware can be found in *LOADING THE RACKS* chapter.
- In case of partial loading it is recommended to use dedicated wash options if available (Half load/ Zone Wash, Multizone), filling up only selected racks. Incorrect loading or overloading the dishwasher may increase resources usage (such as water, energy and time, as well as increase noise level), reducing cleaning and drying performance.
- Manual pre-rinsing of tableware items leads to increased water and energy consumption and is not recommended.

HYGIENE

To avoid odour and sediment which can be accumulated in the dishwasher please **run a high temperature program at least one a month.** Use a tea spoon of detergent and run it without the loading to clean your appliance.

RESISTANCE TO FROST

If the appliance is placed in surroundings exposed to the risk of frost, it **must be drained completely.** Turn off the water tap, remove the inlet and outlet hoses, and let all the water drain away. **Make sure that the water softener is full of dissolved regeneration salt in the salt container,** to protect the appliance from temperatures of up to -20°C. If the appliance was stored in frost conditions the appliance must remain at an ambient temperature of min. 5°C for **at least 24 hours** before the first run.

CARE AND MAINTENANCE

CLEANING THE FILTER ASSEMBLY

Regularly clean the filter assembly so that the filters do not clog and that the waste water flows away correctly.

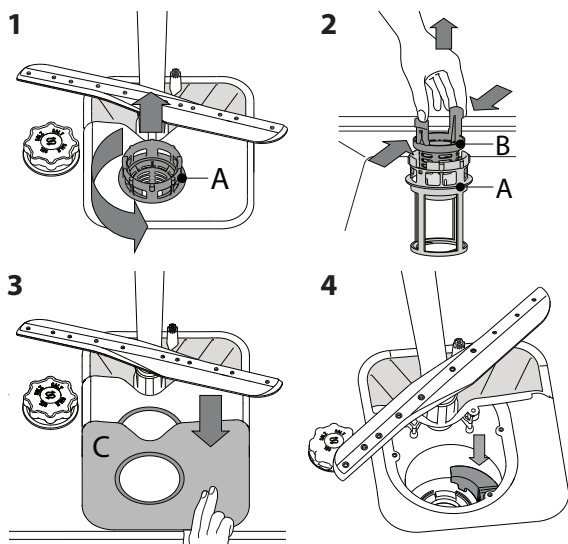
Using dishwasher with clogged filters or foreign objects inside filtration system or sprayarms may cause unit malfunction resulting in lose of performance, noisy work or higher resources usage.

The filter assembly consists of three filters which remove food residues from the washing water and then recirculate the water.

The dishwasher must not be used without filters or if the filter is loose.

At least once per month or after each 30 cycles, check the filter assembly and if necessary clean it thoroughly under running water, using a non-metallic brush and following the instructions below:

1. Turn the cylindrical filter **A** in an anti-clockwise direction and pull it out (Fig 1).
2. Remove the cup filter **B** by exerting a slight pressure on the side flaps (Fig 2).
3. Slide out the stainless-steel plate filter **C** (Fig 3).
4. In case you find foreign objects (such as broken glass, porcelain, bones, fruit seeds etc.) **please remove them carefully**.
5. Inspect the trap and remove any food residues. **NEVER REMOVE** the wash-cycle pump protection (black detail) (Fig 4) .



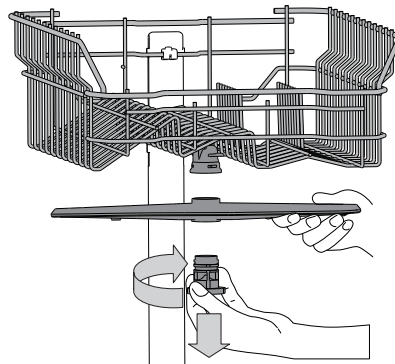
After cleaning the filters, re-place the filter assembly and fix it in position correctly; this is essential for maintaining the efficient operation of the dishwasher.

CLEANING THE WATER INLET HOSE

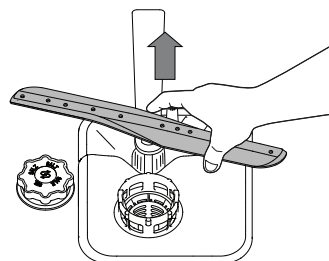
If the water hoses are new or have not been used for an extended period of time, let the water run to make sure it is clear and free of impurities before performing the necessary connections. If this precaution is not taken, the water inlet could become blocked and damage the dishwasher.

CLEANING THE SPRAY ARMS

On occasions, food residue may become encrusted onto the spray arms and block the holes used to spray the water. It is therefore recommended that you check the arms from time to time and clean them with a small non-metallic brush.



To remove the upper spray arm, turn the plastic locking ring in a clockwise direction. The upper spray arm should be replaced so that the side with the greater number of holes is facing upwards.



The lower spray arm may be removed by pulling it upwards.

WATER SOFTENING SYSTEM

Water softener automatically reduces water hardness, consequently preventing scale buildup on heater, contributing also to better cleaning efficiency.

This system regenerates itself with salt, therefore it is required to refill salt container when empty.

Frequency of regeneration depends on water hardness level setting - regeneration takes place once per **6** Eco cycles with water hardness level set to **3**.

Regeneration process starts in final rinse and finishes in drying phase, before cycle ends.

- Single regeneration consumes: ~3.5L of water;
- Takes up to 5 additional minutes for the cycle;
- Consumes below 0.005kWh of energy.

TROUBLESHOOTING

In case your dishwasher doesn't work properly, check if the problem can be solved by going through the following list. For other errors or issues please contact authorized After-sales Service whose contact details can be found in the warranty booklet. Spare parts will be available for a period of either up to 7 or up to 10 years, according to the specific Regulation requirements.

PROBLEMS	POSSIBLE CAUSES	SOLUTIONS
The dishwasher won't start or does not respond to commands.	The appliance has not been plugged in properly.	Insert the plug into the socket.
	Power outage.	For safety reasons, dishwasher will not re-start automatically when power returns. Open dishwasher door, press START/Pause button and close the door within 4 seconds.
	The dishwasher door is not closed. ActiveDry pin is not pulled in.	Vigorously push the door until you hear the "click".
	Cycle is interrupted by door opening for more than 4 seconds.	Press START/Pause and close the door within 4 seconds.
The dishwasher won't drain.	It does not respond to commands.	Switch off the appliance by pressing the ON/OFF button, switch it back on after approximately one minute and restart the program. If problem persists, unplug the appliance for 1 minute, then plug it back in.
	The wash cycle has not finished yet.	Wait until the wash cycle finishes.
	The drain hose is bent.	Check that the drain hose is not bent (see <i>INSTALLATION INSTRUCTION</i>).
	The sink drain pipe is blocked.	Clean the sink drain pipe.
The dishwasher makes excessive noise.	The filter is clogged up with food residues.	Clean the filter (see <i>CLEANING THE FILTER ASSEMBLY</i>).
	The dishes are rattling against each other.	Position the crockery correctly (see <i>LOADING THE RACKS</i>).
The dishes are not clean.	An excessive amount of foam has been produced.	The detergent has not been measured out correctly or it is not suitable for use in dishwashers (see <i>FILLING THE DETERGENT DISPENSER</i>). Restart the current cycle by switching OFF the dishwasher, then switch it on again, select a new program, press START/Pause and close the door within 4 seconds. Please do not add any detergent.
	The crockery has not been arranged properly.	Arrange the crockery correctly (see <i>LOADING THE RACKS</i>).
	The spray arms cannot rotate freely, being hindered by the dishes.	Arrange the crockery correctly (see <i>LOADING THE RACKS</i>).
	The wash cycle is too gentle.	Select an appropriate wash cycle (see <i>PROGRAMS TABLE</i>).
	An excessive amount of foam has been produced.	The detergent has not been measured out correctly or it is not suitable for use in dishwashers (see <i>FILLING THE DETERGENT DISPENSER</i>).
	The cap on the rinse aid compartment has not been shut correctly.	Make sure the cap of the rinse aid dispenser is closed.
	The filter is soiled or clogged.	Clean the filter assembly (see <i>CARE AND MAINTENANCE</i>).
The dishwasher does not fill the water. All LEDs are blinking rapidly.	There is no salt.	Fill the salt reservoir (see <i>FILLING THE SALT RESERVOIR</i>).
	No water in the water supply or the tap is closed.	Make sure there is water in the water supply or the tap running.
	The inlet hose is bent.	Make sure the inlet hose is not bent (see <i>INSTALLATION</i>) reprogram the dishwasher and reboot.
Dishwasher finishes the cycle prematurely.	The sieve in the water inlet hose is clogged; it is necessary to clean it	After having carried out the verification and cleaning, turn off and turn on the dishwasher and restart a new program.
	Drain hose positioned too low or siphoning into home sewage system.	Check if end of drain hose is placed at correct height (see <i>INSTALLATION</i>). Check for siphoning into home sewage system, install air admittance valve if necessary.
Detergent leaks.	Air in water supply.	Check water supply for leaks or other issues letting air inside.
	Depends on the liquid detergent used and can be emphasized in case of delay option is activated.	Small leaks will not cause machine malfunction and can be avoided by changing liquid detergent type or using tablets.

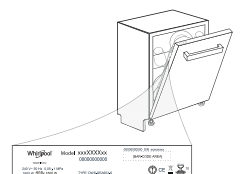
Policies, standard documentation, ordering of spare parts and additional product information can be found by:

- Using QR code on your product.
- Visiting our website docs.hotpoint.eu and parts-selfservice.europeanappliances.com
- Alternatively, **contact our After-sales Service** (See phone number in the warranty booklet).

When contacting our After-sales Service, please state the codes provided on your product's identification plate.

The model information can be retrieved using the QR-Code reported in the energy label.

The label also includes the model identifier that can be used to consult the portal of the registry at <https://eprel.ec.europa.eu>.



РЪКОВОДСТВО ЗА ВСЕКИДНЕВНА СПРАВКА

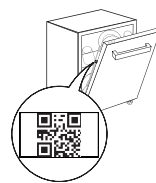


БЛАГОДАРИМ ВИ, ЧЕ ЗАКУПИХТЕ ПРОДУКТ НА HOTPOINT. За да получавате по-пълно съдействие, регистрирайте Вашия уред на: www.hotpoint.eu/register



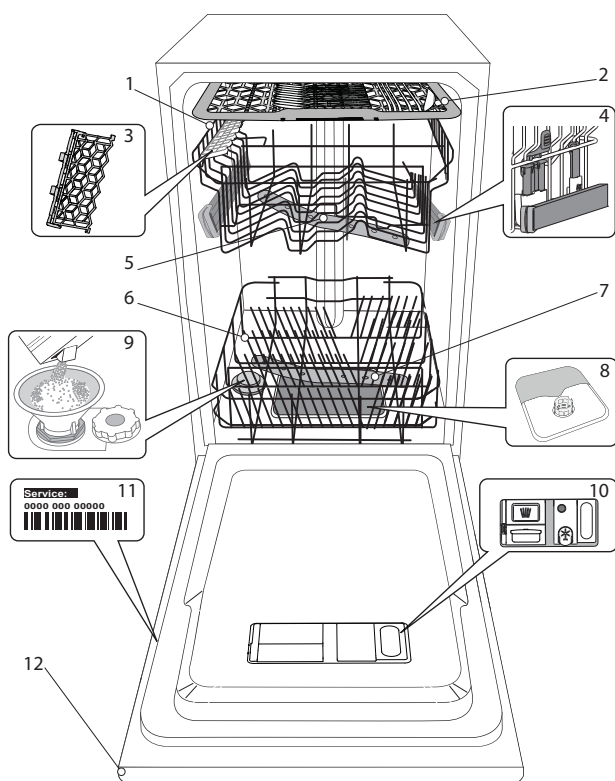
Преди да използвате уреда, прочетете внимателно указанията за безопасност и инсталиране. След инсталиране не забравяйте да махнете всички транспортни части от съдомиялната.

ЗА ПОЛУЧАВАНЕ НА ПО-ПОДРОБНА ИНФОРМАЦИЯ, МОЛЯ, СКАНИРАЙТЕ QR КОДА НА ВАШИЯ УРЕД



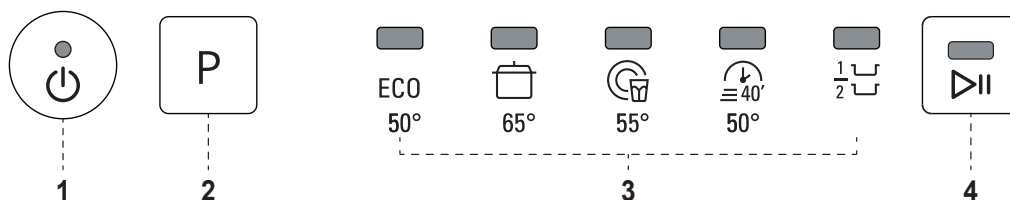
ОПИСАНИЕ НА ПРОДУКТА

УРЕД



1. Горна кошница
2. Кошница за прибори
3. Сгъваеми капаци
4. Регулатор за височината на горната кошница
5. Горно разпръскващо рамо
6. Долна кошница
7. Долно разпръскващо рамо
8. Филтърен възел
9. Резервоар за сол
10. Дозатори за препарат и помощно средство за изплакване
11. Табелка с данни
12. Контролен панел

КОНТРОЛЕН ПАНЕЛ



1. Бутон Вкл.-Изкл./Нулиране със светлинен индикатор
2. Бутон за избиране на програма
3. Светлинни индикатори за програми
4. Бутон Старт/Пауза със светлинен индикатор

Hotpoint

ARISTON

УПОТРЕБА ЗА ПРЪВ ПЪТ

СОЛ, ПОМОЩНО СРЕДСТВО ЗА ИЗПЛАКВАНЕ И ПОЧИСТВАЩ ПРЕПАРАТ

СЪВЕТИ ЗА УПОТРЕБА ЗА ПЪРВИ ПЪТ

След монтаж отстранете блокиращите елементи от кошниците и задържащите ластици от горната кошница.

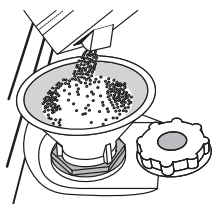
ЗАРЕЖДАНЕ НА РЕЗЕРВОАРА ЗА СОЛ

Използването на сол предотвратява образуването на КОТЛЕН КАМЪК по съдовете и функционалните компоненти на машината.

• Задължително е **РЕЗЕРВОАРЪТ ЗА СОЛ НИКОГА ДА НЕ ОСТАВА ПРАЗЕН.**

• Важно е да зададете твърдостта на водата.

Резервоарът за сол се намира в долната част на съдомиялната машина (вж. „ОПИСАНИЕ НА УРЕДА“) и трябва да се допълва със сол, когато зеленият поплавък на капачката не се вижда.



1. Отстранете долната кошница и развийте капачката на резервоара (обратно на часовниковата стрелка).
2. Само първия път правите това: **напълнете резервоара за сол с вода.**
3. Поставете фунията (вж. фигурата) и напълнете резервоара за сол до ръба (около 1 kg); Не е необичайно да изтече малко вода.
4. Отстранете фунията и забършете остатъците от сол от отвора.

Уверете се, че капачката е завита здраво, така че по време на програмата за миене препаратът да не може да влезе в резервоара (това може да повреди непоправимо омекотителя за вода).

Когато е необходимо да добавите сол, е задължително да направите това преди започване на цикъла на измиване, за да се избегне корозия.

НАСТРОЙВАНЕ НА ТВЪРДОСТТА НА ВОДАТА

За да може омекотителят за вода да работи идеално, е особено важно настройката за твърдостта на водата да се базира на реалната твърдост на водата в дома ви. Можете да получите тази информация от местния си доставчик на вода.

Нивото по подразбиране за твърдост на водата е фабрично зададено.

- Включете уреда, като натиснете бутона **ВКЛ./ИЗКЛ.**
- Изключете уреда, като натиснете бутона **ВКЛ./ИЗКЛ.**
- Натиснете и задръжте бутона **Р** за 5 секунди, докато чуete звуков сигнал.
- Включете уреда, като натиснете бутона **ВКЛ./ИЗКЛ.**
- Светлинният индикатор за програма на текущо настроеното ниво мига.
- Натиснете бутона **Р**, за да изберете желаното ниво на твърдост (вж. ТАБЛИЦА НА ТВЪРДОСТТА НА ВОДАТА).

Таблица на твърдостта на водата

Ниво	°dH Германски градуси	°fH Френски градуси	°Clark Английски градуса
1 Мека	0 - 6	0 - 10	0 - 7
2 Умерена	7 - 11	11 - 20	8 - 14
3 Средна	12 - 16	21 - 29	15 - 20
4 Твърда	17 - 34	30 - 60	21 - 42
5 Много твърда	35 - 50	61 - 90	43 - 62

• Изключете уреда, като натиснете бутона **ВКЛ./ИЗКЛ.**

Настройката е завършена!

Веднага след завършването на процедурата пуснете програмата без съдове.

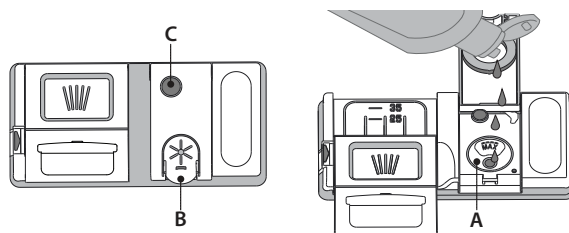
Използвайте само сол, която е предназначена специално за съдомиялни машини.

Ако контейнерът за сол не бъде напълнен, възможно е в резултат на натрупване на варовик да се повреди омекотителят за вода и нагревателният елемент.

Използването на сол е препоръчително с всякакъв тип миялен препарат.

ЗАРЕЖДАНЕ НА ДОЗАТОРА ЗА ПОМОЩНО СРЕДСТВО ЗА ИЗПЛАКВАНЕ

Използването на препарат за изплакване улеснява СУШЕНЕТО. Резервоарът за препарат за изплакване **А** трябва да се напълни, когато черният индикатор на вратичката на резервоара **С** стане прозрачен.



1. Отворете дозатора **В**, като натиснете и дръпнете нагоре издатината на капака.
2. Внимателно добавете помощното средство за изплакване до максималната (110 ml) референтна маркировка на мястото за пълнене - избягвайте да разливате. Ако това се случи, почистете разливането незабавно със суха кърпа
3. Натиснете капака надолу, докато чуete щракване, за да го затворите. **НИКОГА НЕ НАЛИВАЙТЕ ПОМОЩНОТО СРЕДСТВО ЗА ИЗПЛАКВАНЕ НАПРАВО ВЪВ ВАНИЧКАТА.**

РЕГУЛИРАНЕ НА ДОЗИРАНЕТО НА ПОМОЩНОТО СРЕДСТВО ЗА ИЗПЛАКВАНЕ

Ако не сте напълно доволни от резултатите от сушенето, можете да регулирате използваното количество помощно средство за изплакване.

- Включете съдомиялната машина с бутон **ВКЛ./ИЗКЛ.**
- Изключете я с бутон **ВКЛ./ИЗКЛ.**
- Натиснете бутона **Р** три пъти - ще чуete звуков сигнал.
- Включете я с бутон **ВКЛ./ИЗКЛ.**
- Светлинният индикатор за програма на текущо настроеното ниво мига.
- Натиснете бутона **Р**, за да изберете желаното ниво на количеството помощно средство за изплакване.
- Изключете я с бутон **ВКЛ./ИЗКЛ.**

Настройката е завършена!

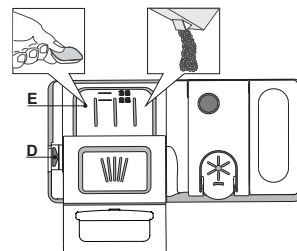
Ако нивото на помощното средство за изплакване е зададено на 1 (ЕКО), няма да се подава помощно средство за изплакване.

Според модела на съдомиялната машина могат да се задават максимум 5 нива. Фабричната настройка е специфична за всеки модел; следвайте инструкциите по-горе, за да проверите относно ли се настройката за Вашата машина.

- Ако видите синкави петна по съдовете, задайте нисък номер (2-3).
- Ако по съдовете има капки вода или следи от котлен камък, задайте висок номер (4-5).

ЗАРЕЖДАНЕ НА ДОЗАТОРА ЗА МИЯЛЕН ПРЕПАРАТ

За да отворите дозатора за препарат, използвайте приспособление D. Налейте препарата само в сухия дозатор E. Поставете количеството препарат за предварително измиване направо във ваничката.



1. При измерване на препарата првете справка със споменатата информация по-горе, за да добавите подходящо количество. в дозатора **Е** има индикатори, за да помогнат за дозирането на миялния препарат.
2. Отстранете остатъците от препарат от ръбовете на дозатора и затворете капака, докато щракне.
3. Затворете капака на дозатора за препарат, като го дръпнете нагоре, докато приспособлението за затваряне се закрепва на място.

Дозаторът за препарат се отваря автоматично в правилния момент според програмата.

Използването на миялен препарат, който не е предназначен за съдомиялни машини, може да причини неизправност или повреда на уреда.

ТАБЛИЦА НА ПРОГРАМИТЕ

Програма	Фаза на сушене	ActiveDry [®]	Времетраене на програмата за миене (ч:мин)**)	Потребление на вода (литра/програма)	Потребление на енергия (kWh/програма)
1. Еко ECO 50°	✓	✓	3:35	8.7	0.72
2. Интензивна  65°	✓	✓	2:45	17.5	1.60
3. Смесени  55°	✓	✓	2:30	15.0	1.30
4. Бърза 40'  50°	-	✓	0:40	9.0	0.70
5. Половин зареждане  55°	✓	✓	1:20	11.0	1.00

Данните за програмата ЕКО са измерени в лабораторни условия съгласно Европейски стандарт EN 60436:2020.

Бележки за тестовите лаборатории: за информация относно сравнимите с EN тестови условия изпратете имейл на следния адрес: dw_test_support@europeanappliances.com

Не е необходимо предварително третиране на съдовете преди пускане на която и да било програма.

*) Вратата е отворена, преди програмата да е приключила. Това се прави с цел подобряване на ефективността на сушенето. Изчакайте, докато времето достигне 00:00, за да разтоварите съдомиялната машина.

**) Стойностите, дадени за програмите, с изключение на програмата Еко, са само ориентировъчни. Реалното време може да се различава в зависимост от множество фактори, като температурата и налягането на подаваната вода, температурата в помещението, количеството препарат, количеството и вида на зареждането, балансирането на зареждането, допълнителните избрани опции и калибрирането на сензора. Калибрирането на сензора може да увеличи продължителността на програмата с до 20 мин.

ОПИСАНИЕ НА ПРОГРАМИТЕ

Указания за избор на програма за миене.

1 ЕКО

Програмата Еко е подходяща за почистване на нормално замърсена домакинска посуда, като използвана по този начин, програмата е най-ефективна по отношение на комбинираното потребление на енергия и вода и отговаря на законодателството на ЕС по отношение на екологичния дизайн.

2 ИНТЕНЗИВНА

Програма, препоръчвана за силно замърсени съдове, особено подходяща за тигани и тенджери (да не се използва за фини изделия).

3 СМЕСЕНИ

Смесени замърсявания. За нормално замърсени съдове със засъхнали остатъци от храна.

4 БЪРЗА 40'

Програма, която да се използва при наполовина пълна съдомиялна или леко замърсени съдове без засъхнали остатъци от храна. Няма фаза на сушене.

5 ПОЛОВИН ЗАРЕЖДАНЕ

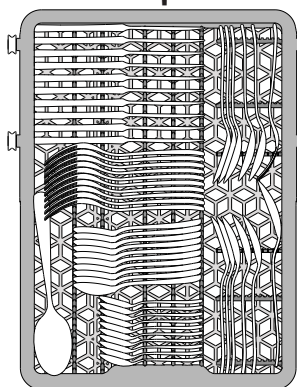
Идеална за измиване при половин зареждане на леко или нормално замърсени съдове.

Забележки:

Имайте предвид, че програмата Бърза 40' е предназначена за леко замърсени съдове.

ЗАРЕЖДАНЕ НА КОШНИЦИТЕ

КОШНИЦА ЗА ПРИБОРИ



Третата кошница е проектирана за поставяне на прибори. Подредете приборите, както е показано на фигурата.

Отделното подреждане на приборите прави събирането по-лесно след миене и подобрява ефективността на миенето и сушенето.

Ножовите и другите прибори с остри ръбове трябва да се поставят с остриетата надолу.

СГЪВАЕМИ КАПАЦИ С РЕГУЛИРУЕМА ПОЗИЦИЯ

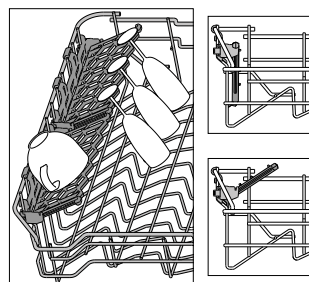
Страничните капаци могат да се сгъват или разгъват, за да се оптимизира подреждането на съдовете в кошницата.

Чашите за вино могат да се поставят безопасно в сгъваемите капаци, като столчето на всяка чаша се вмъкне в съответния процеп.

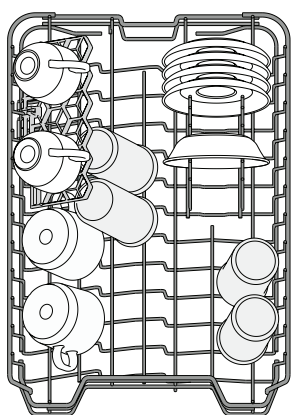
В случай на високо положение на горния рафт клапите не могат да останат във вертикално положение.

В зависимост от модела:

- за да разгънете капациите, е необходимо да ги плъзнете нагоре и да ги завъртите или да ги освободите от закопчалките им и да ги издърпате надолу.
- за да сгънете капациите, е необходимо да ги завъртите и да плъзнете капациите надолу или да ги дръпнете нагоре и да ги закачите за закопчалките.



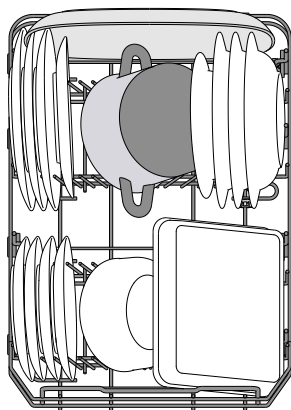
КГОРНА КОШНИЦА



Заредете деликатните и леки съдове: стъклени и порцеланови чаши, чинийки, ниски купи за салата.

(пример за зареждане на горната кошница)

ДОЛНА КОШНИЦА



За тенджери, капаци, чинии, купи за салата и т.н. Едрите чинии и капаци следва в идеалния случай да се поставят отстрани, за да не възпрепятстват разпръскващото рамо.

(пример за зареждане на долната кошница)

РЕГУЛИРАНЕ НА ВИСОЧИНАТА НА ГОРНАТА КОШНИЦА

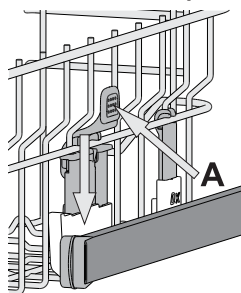
Височината на горната кошница може да се регулира: висока позиция за поставяне на обемни съдове в долната кошница и ниска позиция за пълноценно използване на наклонящите се опори, като се създава повече място нагоре и се избягва сблъскване с изделията в долната кошница.

Горната кошница е оборудвана с **Регулатор на височината на горната кошница** (вж. фигурата), без да натискате лостовете, повдигнете нагоре, като просто хванете кошницата отстрани веднага след като кошницата стане стабилна в по-високата си позиция.

За да възстановите по-ниската позицията, натиснете лостовете **A** отстрани на кошницата и преместете кошницата надолу.

Силно препоръчваме да не регулирате височината на кошницата, когато е заредена.

НИКОГА не повдигайте или спускайте кошницата само от едната страна.



ВСЕКИДНЕВНА УПОТРЕБА

1. ПРОВЕРКА НА ВОДНАТА ВРЪЗКА

Проверете дали съдомиялната машина е свързана към водопроводната мрежа и дали кранът е отворен.

2. ВКЛЮЧЕТЕ СЪДОМИЯЛНАТА МАШИНА

Отворете вратичката и натиснете бутона **ВКЛ./ИЗКЛ.**

3. ЗАРЕДЕТЕ КОШНИЦИТЕ

(вж. **ЗАРЕЖДАНЕ НА КОШНИЦИТЕ**)

4. ЗАРЕЖДАНЕ НА ДОЗАТОРА ЗА МИЯЛЕН ПРЕПАРАТ

5. ИЗБЕРЕТЕ ПРОГРАМАТА И ПЕРСОНАЛИЗИРАЙТЕ ПРОГРАМАТА

Изберете най-подходящата програма според вида на съдовете и нивото на замърсяване (вж. **ОПИСАНИЕ НА ПРОГРАМИТЕ**) чрез натискане на бутона **P**.

Изберете желаните опции (вж. **ОПЦИИ И ФУНКЦИИ**).

6. СТАРТ

Стартирайте цикъла на измиване, като натиснете бутона **СТАРТ/Пауза** (светодиодът светва) и затворите вратичката в рамките на 4 секунди. Когато програмата стартира, се чува еднократен сигнал. Ако вратичката не бъде затворена в рамките на 4 секунди, ще се възпроизведе звукова аларма. В този случай отворете вратичката, натиснете бутона **СТАРТ/Пауза** и отново затворете вратичката в рамките на 4 секунди.

7. КРАЯТ НА ПРОГРАМАТА

Завършването на цикъла на миене се сигнализира със звуков сигнал и от мигане на индикаторната лампа на избраната програма. Отворете вратичката и изключете уреда, като натиснете бутона **ВКЛ./ИЗКЛ.**

Изчакайте няколко минути, преди да премахнете съдовете, за да избегнете изгаряния. Извадете съдовете, като започнете от долната кошница.

Машината се изключва автоматично при определени продължителни периоди на неактивност, за да сведе до минимум потреблението на енергия.

Ако съдовете са само леко замърсени или ако са изплакнати с вода преди да се поставят в съдомиялната машина, намалете съответно количеството използван препарат.

МОДИФИЦИРАНЕ НА РАБОТЕЩА ПРОГРАМА

Ако е избрана грешна програма, можете да я промените, при условие че тя е започнала току-що: отворете вратичката, натиснете и задръжте бутона **ВКЛ./ИЗКЛ.**, машината ще се изключи. Включете машината отново с бутона **ВКЛ./ИЗКЛ.** и изберете новата програма за миене и желаните опции; стартирайте програмата, като натиснете бутона **СТАРТ/ПАУЗА** и затворите вратичката в рамките на 4 секунди.

ДОБАВЯНЕ НА СЪДОВЕ

Без да изключвате машината, отворете вратичката (светодиодът **СТАРТ/ПАУЗА** започва да мига) (**внимание с ГОРЕЩАТА пара!**) и поставете съдовете в миалната машина. Натиснете бутона **СТАРТ/ПАУЗА** и в рамките на 4 секунди затворете вратичката, програмата се възобновява от момента, в който е била прекъсната.

СЛУЧАЙНИ ПРЕКЪСВАНИЯ

Ако вратичката бъде отворена по време на програма за миене или при прекъсване на захранването, програмата спира. За да подновите програмата, откъдето е прекъсната, натиснете бутона **СТАРТ/ПАУЗА** и затворете вратичката в рамките на 4 секунди.

ПОЛЕЗНИ СЪВЕТИ

СЪВЕТИ

Преди да зареждате кошниците, отстранете всички остатъци от храна от съдовете и изпразнете чашите. **Не е нужно да изплаквате предварително с течаща вода.**

Подредете съдовете така, че да се задържат добре на място и да не се обърнат; и подредете съдовете с отворите надолу и разположете вдлъбнатите/изпъкналите части така, че водата да може да достигне всяка повърхност и да тече свободно.

Предупреждение: капациите, дръжките, подносите и тиганите за пържене трябва да не пречат на въртенето на разпръскващите рамене.

Поставете дребните артикули в кошницата за прибори. Много замърсените съдове и тенджери следва да се поставят в долната кошница, тъй като в този сектор водните струи са по-силни и позволяват по-добра ефективност при миене. След като заредите уреда, проверете дали разпръскващите рамене могат да се въртят свободно.

НЕПОДХОДЯЩИ СЪДОВЕ

- Дървени съдове и прибори.
- Деликатни чаши с декорации, артистични ръчно изработени съдове и антики. Декорациите им не са устойчиви.
- Части от синтетични материали, които не са устойчиви на високи температури.
- Медни и калаени съдове.
- Замърсени с пепел, въсък, грес или мастило съдове.

Цветовите на стъклените декорации и частите от алуминий/сребро могат да се променят и да избледнеят в процеса на миене. Някои видове стъкло (напр. кристалните предмети) могат да станат непрозрачни след няколко измивания.

ПОВРЕДИ ПО ЧАШИТЕ И СЪДОВЕТЕ

- Използвайте само стъклени и порцеланови съдове, за които производителят гарантира, че са подходящи за съдомиялна машина.
- Използвайте деликатен почистващ препарат, подходящ за Вашите съдове
- Изваждайте чашите и приборите от съдомиялната машина веднага след края на програмата за миене.

СЪВЕТИ ЗА ПЕСТЕНЕ НА ЕНЕРГИЯ

- Когато домашната съдомиялна машина се използва съгласно инструкциите на производителя, **измиването на посуда в съдомиялна обикновено консумира ПО-МАЛКО ЕНЕРГИЯ И ВОДА в сравнение с миенето на ръка.**
- За да максимизирате ефективността на съдомиялната машина, **препоръчително е да стартирате цикъл на миене, след като машината е заредена докрай. Зареждането на домашната съдомиялна машина до капацитета**, посочен от производителя, ще спомогне да спестите енергия и вода. Информацията относно правилното зареждане на посудата можете да намерите в глава **ЗАРЕЖДАНЕ НА КОШНИЦИТЕ**. При частично зареждане е препоръчително да използвате специално предназначения опции (Half load/ Zone Wash/ Multi-zone), като напълните само избраните кошници. Неправилното зареждане или препълване на съдомиялната машина може да увеличи потреблението на ресурси (като вода, енергия и време, както и да увеличи нивото на шум), което ще намали ефективността на измиване и сушене.
- Предварителното изплакване на посудата на ръка води до увеличено потребление на вода и енергия, затова не е препоръчително.

ХИГИЕНА

За да избегнете миризми и утайки, които могат да се натрупат в съдомиялната машина, **моля, пускайте програма при висока температура най-малко веднъж месечно.** Използвайте супена лъжица препарат и пуснете уреда без да зареждате съдове, за да го почистите.

УСТОЙЧИВОСТ НА МРАЗ

Ако уредът е поставен на място, изложено на риск от замръзване, **той трябва да се източи напълно.** Затворете крана за вода, отстранете входящия и изходящия маркуч и оставете цялата вода да изтече. **Уверете се, че омокотителят за вода е пълен с разтворена регенерираща сол в контейнера за сол**, за да предпазите уреда от температури до -20°C.

Ако уредът е бил съхраняван при условия на замръзване, уредът трябва да остане при температура на околната среда мин. 5°C за **поне 24 часа** преди първото пускане.

ГРИЖИ И ПОДДРЪЖКА

ПОЧИСТВАНЕ НА ФИЛТЪРНИЯ ВЪЗЕЛ

Почиствайте филтърния възел редовно, така че филтрите да не се запушват и отпадъчната вода да се източва правилно.

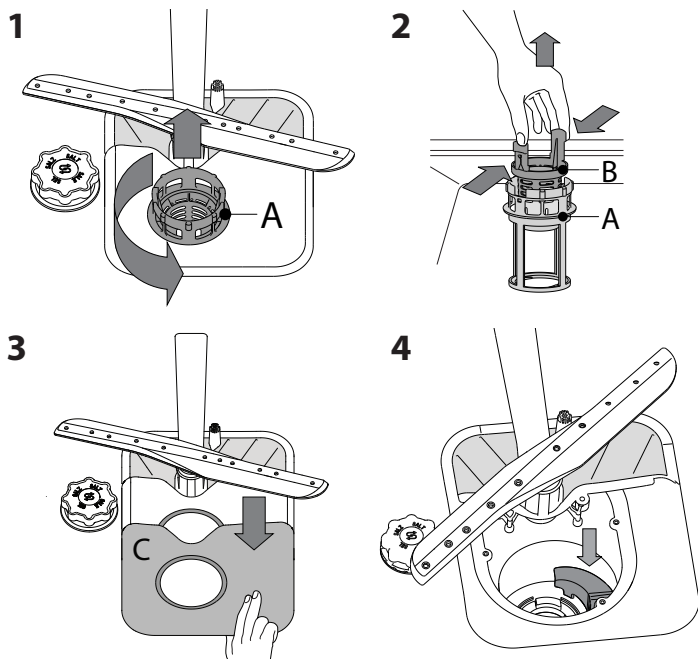
Използването на съдомиялната машина със запушени филтри или външни предмети във филтриращата система или пръскащите рамена, може да влоши работата на уреда и да доведе до намаляване на работните характеристики, шум по време на работа или повишено потребление на ресурси.

Филтърният възел се състои от три филтъра, които премахват остатъците от храна от водата от измиване и след това рециркулират водата.

Съдомиялната машина не трябва да се използва без филтри или ако филтърът е разхлабен.

Най-малко веднъж месечно или на всеки 30 цикъла проверявайте филтърния блок и при необходимост го почистете старателно с течаща вода, като използвате неметална четка и следвайте инструкциите по-долу:

1. Завъртете цилиндричния филтър **A** обратно на часовниковата стрелка и го издърпайте (Фиг. 1).
2. Свалете филтъра чашка **B**, като приложите лек натиск върху страничните капаци (Фиг. 2).
3. Плъзнете навън филтъра-пластина от неръждаема стомана **C** (Фиг. 3).
4. В случай че намерите външни предмети (като счупени стъкла, порцелан, кости, семена на плодове и др.), **внимателно ги отстранете**.
5. Проверете уловителя и премахнете остатъците от храна. **НИКОГА НЕ МАХАЙТЕ** предпазителя на помпата за цикъла на измиване (черния елемент) (Фиг. 4).



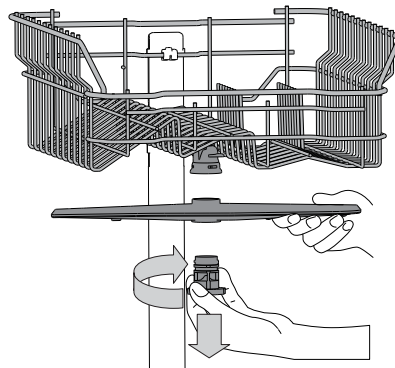
След почистване на филтрите поставете филтърния блок отново и го закрепете правилно на място; това е от ключово значение за поддържане на ефективната работа на съдомиялната машина.

ПОЧИСТВАНЕ НА МАРКУЧА ЗА ПОДАВАНЕ НА ВОДА

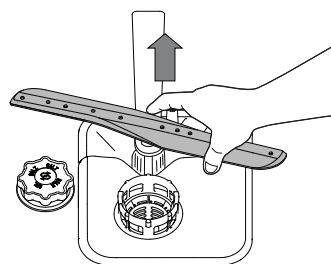
Ако маркучите за вода са нови или не са използвани продължително време, оставете водата да тече, за да се уверите, че е прозрачна и без замърсявания, преди да изпълнявате нужните връзки. Ако тази предпазна мярка не бъде взета, входът за вода може да се блокира и да повреди съдомиялната машина.

ПОЧИСТВАНЕ НА РАЗПРЪСКВАЩИТЕ РАМЕНЕ

Понякога остатъците от храна е възможно да засъхнат върху разпръскващите рамена и да запушат отворите за разпръскване на вода. Следователно се препоръчва да проверявате раменете от време на време и да ги почиствате с малка неметална четка.



За да премахнете горното разпръскващо рамо, завъртете пластмасовия заключващ пръстен по посока на часовниковата стрелка. Горното разпръскващо рамо следва да се поставя така, че страната с по-голям брой отвори да е насочена нагоре.



Можете да свалите долното разпръскващо рамо, като го издърпате нагоре.

СИСТЕМА ЗА ОМЕКОТЯВАНЕ НА ВОДАТА

Омекотителят за вода намалява автоматично твърдостта на водата, като по този начин предотвратява натрупването на варовик по нагревателя и повишава ефективността при почистване.

Системата се регенерира сама със сол, затова е необходимо да допълвате контейнера със сол, когато се изпразни.

Честотата на регенериране зависи от настройката на нивото на твърдост на водата - регенерирането се извършва веднъж на всеки 6 цикъла Есо с ниво на твърдост на водата, зададено на 3. Процесът на регенериране започва във фазата на последното изплакване и завършва във фазата на сушене, преди цикълът да завърши.

- Едно регенериране използва: ~3,5 литра вода;
- Към цикъла се добавят 5 допълнителни минути;
- Консумират се по-малко от 0,005 kWh енергия.

ОТСТРАНЯВАНЕ НА НЕИЗПРАВНОСТИ

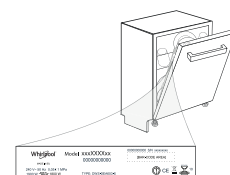
В случай че съдомиялната машина не работи нормално, проверете дали проблемът може да бъде решен, като прегледате следния списък. За други грешки или неизправности се свържете с отдела за следпродажбено обслужване, като данните за контакт можете да намерите в книжката за гаранцията. Резервните части ще бъдат налични за период от 7 или до 10 години, в съответствие със специфичните изисквания на регламента.

ПРОБЛЕМИ	ВЪЗМОЖНИ ПРИЧИНИ	РЕШЕНИЯ
☐ Индикаторът за сол свети	Резервоарът за сол е празен. (След допълване на сол индикаторът може да остане да свети още няколко цикъла на миене).	Напълнете отново резервоара със сол (за повече информация – вж. стр. 2). Регулирайте твърдостта на водата – вижте таблицата, стр. 2.
☼ Индикаторът за препарат за блясък свети	Дозаторът за препарат за блясък е празен. (След допълване на препарат за блясък индикаторът може да остане да свети още няколко цикъла на миене).	Напълнете отново дозатора на препарата за блясък (за повече информация – вж. стр. 2).
Съдомиялната машина не стартира или не реагира на команди.	Уредът не е включен в контакта както трябва.	Включете щепсела в контакта.
	Спиране на захранването.	От съображения за безопасност съдомиялната машина може да не стартира автоматично след пускане на електрозахранването. Отворете вратичката, натиснете бутона СТАРТ/Пауза и затворете вратичката в рамките на 4 секунди.
	Вратичката на съдомиялната не е затворена. Цифтът <i>ActiveDry</i> не е издърпан.	Натиснете вратичката силно, докато чуete щракване.
	Цикълът е прекъснат от отваряне на вратичката за повече от 4 секунди.	Натиснете СТАРТ/Пауза и затворете вратичката в рамките на 4 секунди.
Съдомиялната машина не източва.	Не реагира на команди.	Изключете уреда, като натиснете бутона ВКЛ./ИЗКЛ. , включете я отново след около една минута и нулирайте програмата. Ако проблемът не бъде отстранен, изключете уреда от щепсела за 1 минута и отново включете щепсела.
	Програмата все още не е завършила.	Изчакайте програмата да завърши.
	Маркучът за източване е прегънат. Тръбата за източване на мивката е запушена. Филтърът е запушен с остатъци от храна	Проверете дали маркучът за източване не е прегънат (вж. ИНСТРУКЦИЯ ЗА МОНТАЖ). Почистете тръбата за източване на мивката. Почистете филтъра (вж. ПОЧИСТВАНЕ НА ФИЛТЪРНИЯ МЕХАНИЗЪМ).
Съдомиялната създава прекомерно много шум.	Съдовете тракат един в друг.	Подредете съдовете правилно (вж. ЗАРЕЖДАНЕ НА КОШНИЦИТЕ).
	Създадо се е прекалено голямо количество пяна.	Препаратът не е измерен правилно или не е подходящ за използване в съдомиялни машини (вж. ДОПЪЛВАНЕ НА ДОЗАТОРА ЗА ПОЧИСТВАЩ ПРЕПАРАТ). Рестартирайте текущия цикъл, като изключите и отново включите съдомиялната машина, изберете нова програма, натиснете СТАРТ/Пауза и затворете вратичката в рамките на 4 секунди. Не добавяйте никакъв измиващ препарат.
Съдовете не са почистени.	Съдовете не са подредени както трябва.	Подредете съдовете правилно (вж. ЗАРЕЖДАНЕ НА КОШНИЦИТЕ).
	Разпръскващите рамене не могат да се въртят свободно, тъй като са възпрепятствани от съдовете.	Подредете съдовете правилно (вж. ЗАРЕЖДАНЕ НА КОШНИЦИТЕ).
	Цикълът на измиване е твърде лек.	Изберете подходящ цикъл на измиване (вж. ТАБЛИЦА С ПРОГРАМИ).
	Създадо се е прекалено голямо количество пяна.	Препаратът не е измерен правилно или не е подходящ за използване в съдомиялни машини (вж. ДОПЪЛВАНЕ НА ДОЗАТОРА ЗА ПОЧИСТВАЩ ПРЕПАРАТ).
	Капачката на отделението за помощно средство за изплакване не е затворена правилно.	Уверете се, че капачката на дозатора за помощно средство за изплакване е затворена.
	Филтърът е замърсен или запушен.	Почистете филтърния механизъм (вж. ГРИЖА И ПОДДРЪЖКА).
Съдомиялната машина не зарежда вода.	Няма сол.	Допълнете резервоара за сол (вж. ДОПЪЛВАНЕ НА РЕЗЕРВОАРА ЗА СОЛ).
	Не се подава вода или кранът е затворен.	Уверете се, че се подава вода или кранът е отворен.
Всички светодиоди са мига бързо	Маркучът за подаване на вода е прегънат.	Уверете се, че маркучът за подаване на вода не е прегънат (вижте ИНСТАЛИРАНЕ), включете нова програма на съдомиялната и я рестартирайте.
	Мрежестият филтър в маркуча за подаване на вода е запушен; необходимо е да го почистите.	След изпълняване на проверката и почистването изключете и включете съдомиялната машина и рестартирайте нова програма.
Съдомиялната машина спира цикъла преждевременно.	Маркучът за източване е поставен твърде ниско или водата се източва в домашната канализационна система.	Проверете дали краят на маркуча за източване е поставен на правилната височина (вижте ИНСТАЛИРАНЕ). Проверете за източване в домашната канализационна система и ако е необходимо, монтирайте въздушен вентил.
	Въздух в системата за подаване на вода.	Проверете системата за подаване на вода за течове или други проблеми, водещи до навлизане на въздух.
Изтичането на детергент.	Зависи от използвания течен детергент и може да бъде подчертано в случай на активирана опция за забавяне.	Малките течове няма да доведат до неизправност на машината и могат да бъдат избегнати, като се промени видът на течния перилен препарат или се използват таблетки.

Фирмени политики, стандартна документация, поръчка на резервни части и допълнителна информация за продукти можете да намерите на:

- Посетите нашия уебсайт docs.hotpoint.eu и parts-selfservice.europeanappliances.com
- Използвайте QR кода
- Като алтернатива можете да се свържете с отдела за следпродажбено обслужване (вижте телефонния номер в гаранционната книжка). При контакт с отдела за следпродажбено обслужване на клиенти съобщавайте кодовете, посочени на заводската табелка на Вашия уред.

Информацията за модела може да бъде извлечена чрез сканиране на QR кода на етикетата за енергийния клас. На етикетата също така е даден идентификатор на модела, който може да се използва за достъп до портала на регистъра на адрес <https://eprel.ec.europa.eu>



GUIDE D'UTILISATION QUOTIDIENNE

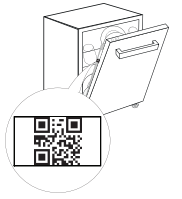
D'UTILISATION QUOTIDIENNE



MERCI D'AVOIR CHOISI UN PRODUIT HOTPOINT ARISTON.

Afin de recevoir une assistance plus complète, merci d'enregistrer votre appareil on: www.hotpoint.eu/register

MERCI DE SCANNER LE QR CODE SUR VOTRE APPAREIL POUR OBTENIR DES INFORMATIONS PLUS DÉTAILLÉES.

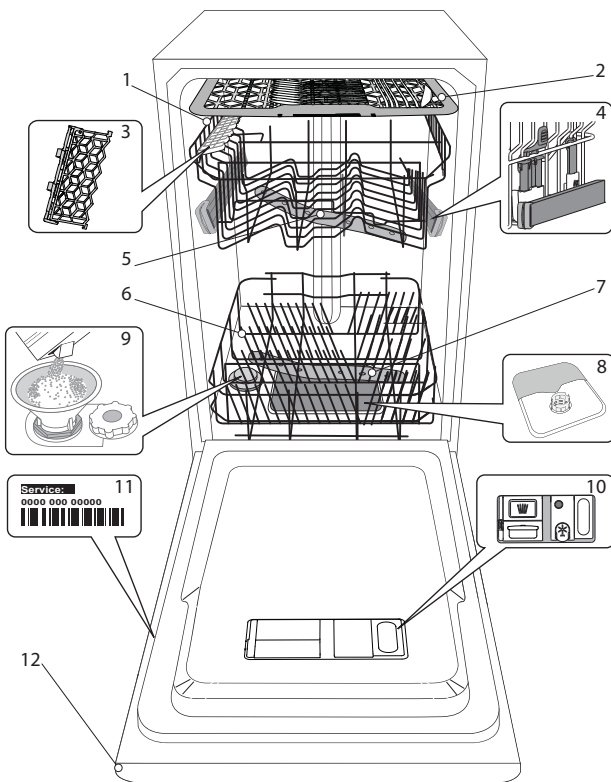


Avant d'utiliser l'appareil, il convient de lire attentivement les consignes de sécurité et d'installation.

Après l'installation, rappelez-vous d'enlever toutes les pièces de protection pour le transport du lave-vaisselle.

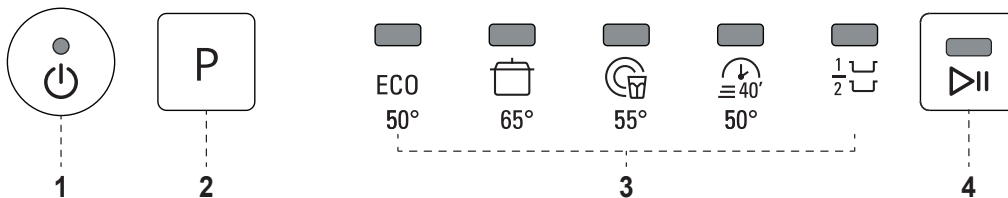
DESCRIPTION DU PRODUIT

APPAREIL



1. Panier supérieur
2. Compartiment à couvert
3. Volets pliables
4. Bouton de réglage de la hauteur du panier supérieur
5. Bras d'aspersion supérieur
6. Panier inférieur
7. Bras d'aspersion inférieur
8. Ensemble filtre
9. Réservoir à sel
10. Distributeurs de détergent et liquide de rinçage
11. Plaque signalétique
12. Panneau de commande

PANNEAU DE COMMANDE



1. Touche Marche-Arrêt/Réinitialisation avec le voyant
2. Sélecteur de programme
3. Voyants de programme
4. Touche START/Pause avec le voyant

Hotpoint

ARISTON

PREMIÈRE UTILISATION SEL, LIQUIDE DE RINÇAGE, ET DÉTERGENT

CONSEILS AU SUJET DE LA PREMIÈRE UTILISATION

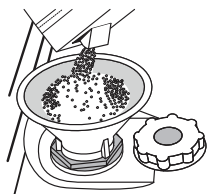
Après l'installation, enlevez les boulons d'arrêt sur les paniers et les éléments élastiques qui retiennent le panier supérieur.

REEMPLIR LE RÉSERVOIR DE SEL

L'utilisation de sel empêche la formation de CALCAIRE sur la vaisselle et sur les composantes fonctionnelles de l'appareil.

- Le **RÉSERVOIR DE SEL NE DOIT JAMAIS ÊTRE VIDE.**
- Il est important de régler la dureté de l'eau.

Le réservoir de sel est situé dans la partie inférieure du lave-vaisselle (voir DESCRIPTION DU PRODUIT) et devrait être rempli quand le flotteur vert sur le capuchon du réservoir de sel n'est plus visible.



1. Enlevez le panier inférieur et dévissez le bouchon du réservoir (sens antihoraire).
2. La première fois uniquement, vous devez effectuer l'opération suivante : Remplissez d'eau le réservoir à sel.
3. Placez l'entonnoir (voir figure) et remplissez le réservoir de sel jusqu'au bord (environ 1 kg); il est normal qu'un peu d'eau déborde.
4. Enlevez l'entonnoir et essuyez les résidus de sel autour de l'ouverture.

Assurez-vous que le bouchon est bien serré pour éviter que du détergent pénètre dans le réservoir durant le cycle de lavage (le réservoir pourrait s'endommager au point de ne plus être réparable).

Après chaque ajout de sel dans le réservoir, il est obligatoire de lancer immédiatement un cycle de lavage afin d'éviter toute corrosion de la cuve.

RÉGLER LA DURETÉ DE L'EAU

Pour que l'adoucisseur d'eau fonctionne à la perfection, il est important de régler la dureté de l'eau aux conditions existantes dans votre résidence. Cette information peut être obtenue de votre fournisseur d'eau local. L'usine règle la valeur par défaut de la dureté de l'eau.

- Allumer l'appareil en appuyant sur la touche **MARCHE/ARRÊT.**
- Éteindre l'appareil en appuyant sur la touche **MARCHE/ARRÊT.**
- Appuyer sur la touche **P** pendant 5 secondes ; un bip se fait entendre.
- Allumer l'appareil en appuyant sur la touche **MARCHE/ARRÊT.**
- Le voyant pour le programme du niveau de réglage actuel clignote
- Appuyer sur la touche **P** pour sélectionner le niveau de dureté désiré (voir TABLEAU DE DURETÉ DE L'EAU).

Niveau		°dH Degrés allemand	°fH Degrés français	°Clark Degrés anglais
1	ECO Très douce	0 - 6	0 - 10	0 - 7
2	Moyenne	7 - 11	11 - 20	8 - 14
3	Douce	12 - 16	21 - 29	15 - 20
4	Dure	17 - 34	30 - 60	21 - 42
5	Très dure	35 - 50	61 - 90	43 - 62

- Éteindre l'appareil en appuyant sur la touche **MARCHE/ARRÊT.**

Le réglage est terminé !

Une fois cette opération complétée, lancez un programme sans charger le lave-vaisselle.

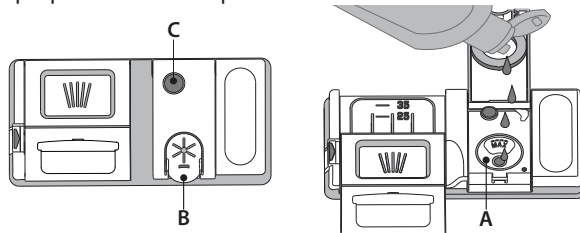
Utilisez seulement le sel spécialement conçu pour les lave-vaisselles. Lorsque le sel est versé dans l'appareil, le voyant AJOUTER DU SEL s'éteint.

Si le contenant de sel n'est pas rempli, l'adoucisseur et l'élément chauffant peuvent être endommagés à cause de l'accumulation de calcaire.

L'utilisation de sel est recommandée avec n'importe quel type de lessive pour lave-vaisselle.

REEMPLIR LE DISTRIBUTEUR DE LIQUIDE DE RINÇAGE

Le liquide de rinçage permet à la vaisselle de SÉCHER plus facilement. Le distributeur de liquide de rinçage **A** devrait être rempli lorsque le témoin optique sombre sur la porte du distributeur **C** devient transparent.



1. Ouvrez le distributeur **B** en appuyant et en tirant sur l'onglet sur le couvercle.
2. Versez doucement du liquide de rinçage jusqu'à la marque de référence (110 ml) du réservoir de remplissage - évitez les débordements. Si cela se produit, nettoyez les dégâts immédiatement avec un linge sec.
3. Appuyez sur le bouchon pour le fermer; un clic se fait entendre.

Ne JAMAIS verser le liquide de rinçage directement dans la cuve.

AJUSTER LE DOSAGE DU LIQUIDE DE RINÇAGE

Si vous n'êtes pas complètement satisfait avec le séchage, vous pouvez ajuster la quantité de liquide de rinçage utilisée.

- Allumez le lave-vaisselle en utilisant la touche **MARCHE/ARRÊT.**
- Éteignez-le en utilisant la touche **MARCHE/ARRÊT.**
- Appuyez sur la touche **P** à trois reprises - vous entendrez un bip.
- Allumez-le en utilisant la touche **MARCHE/ARRÊT.**
- Le voyant pour le programme du niveau de réglage actuel clignote.
- Appuyez sur la touche **P** pour sélectionner la quantité de liquide de rinçage qui doit être utilisée.
- Éteignez-le en utilisant la touche **MARCHE/ARRÊT**

Le réglage est terminé !

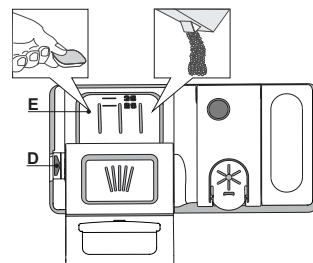
Si le niveau de liquide de rinçage est à 1 (ÉCO), il n'y aura pas de liquide de rinçage distribué.

Un maximum de 5 niveaux peuvent être réglés selon le modèle du lave-vaisselle. Les réglages d'usine sont spécifiques au modèle, merci de suivre les instructions ci-dessus pour vérifier ceux qui s'appliquent à votre machine.

- Si vous observez des traces bleuâtres sur la vaisselle, placez sur un niveau plus bas (2-3).
- Si vous observez des gouttelettes d'eau ou des traces de calcaire sur la vaisselle, placez sur un niveau plus haut (4-5).

REEMPLIR LE DISTRIBUTEUR DE DÉTERGENT

Pour ouvrir le distributeur de détergent, utilisez le dispositif d'ouverture **D**. Insérez le détergent dans le distributeur **E** seulement. Placez la quantité de détergent pour le pré-lavage directement dans la cuve.




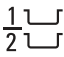


1. Lorsque vous mesurez la lessive, consultez les informations mentionnées précédemment pour ajouter la quantité correcte. À l'intérieur du distributeur **E** se trouvent des indications pour aider au dosage de la lessive.
2. Enlevez les résidus de détergent sur le bord des récipients avant de fermer le couvercle; un clic se fait entendre.
3. Fermez le couvercle du distributeur de détergent en le tirant vers le haut jusqu'à ce que le dispositif soit fermement en place.

Le distributeur de détergent s'ouvre automatiquement, au moment déterminé par le programme.

L'utilisation d'un détergent non-conçu pour les lave-vaisselles peut provoquer un dysfonctionnement ou des dommages à l'appareil.

TABLEAU DES PROGRAMMES

Programme			Séchage	ActiveDry ^{*)}	Durée du programme de lavage (h:min) ^{**)}	Consommation d'eau (l/cycle)	Consommation d'énergie (kWh/cycle)
1. Éco	ECO	50°	✓	✓	3:35	8.7	0.72
2. Intensif		65°	✓	✓	2:45	17.5	1.60
3. Mixte		55°	✓	✓	2:30	15.0	1.30
4. Rapide 40'		50°	-	✓	0:40	9.0	0.70
5. Demi-Charge		55°	✓	✓	1:20	11.0	1.00

Les données du programme Éco sont mesurées sous des conditions en laboratoire conformément à la norme européenne EN 60436:2020.

Note pour les laboratoires d'essai :

pour toutes informations sur les conditions d'essai comparatif EN, s'adresser à : dw_test_support@europeanappliances.com

Aucun prétraitement de la vaisselle n'est nécessaire avant l'un quelconque des programmes.

*) La porte s'ouvre avant la fin du programme. Cela améliore l'efficacité du séchage. Attendez la fin du cycle et le signal sonore avant de vider le lave-vaisselle.

**) Les valeurs indiquées pour des programmes différents du programme Éco sont fournis à titre indicatif uniquement. Le temps réel peut varier selon des facteurs comme la température et la pression de l'eau, la température de la pièce, la quantité de détergent, la quantité et le type de vaisselle, l'équilibre de la charge, les options supplémentaires sélectionnées, et la calibration du capteur. La calibration du capteur peut augmenter la durée du programme jusqu'à 20 minutes.

DESCRIPTION DES PROGRAMMES

Consignes pour la sélection du cycle de lavage.

1 ÉCO

Le programme Eco est adapté pour nettoyer la vaisselle normalement sale, et pour cette utilisation, c'est le programme le plus efficace en termes d'énergie combinée et de consommation d'eau, et il est utilisé pour évaluer la conformité à la législation européenne en matière d'éco-conception.

2 INTENSIF

Programme conseillé pour une vaisselle très sale, particulièrement adapté pour les poêles et les casseroles (ne pas utiliser avec la vaisselle délicate).

3 MIXTE

Saleté mixte. Pour la vaisselle normalement sale avec des résidus de nourriture secs.

4 RAPIDE 40'

Programme à utiliser pour la demi-charge de vaisselle légèrement sale sans résidus alimentaires séchés. N'a pas de phase de séchage

5 DEMI-CHARGE

Idéal pour la moitié d'une charge de vaisselle peu ou normalement sale.

Remarques :

Il convient de noter que le cycle *Rapide 40'* est destiné uniquement à la vaisselle légèrement sale.

OPTIONS ET FONCTIONS

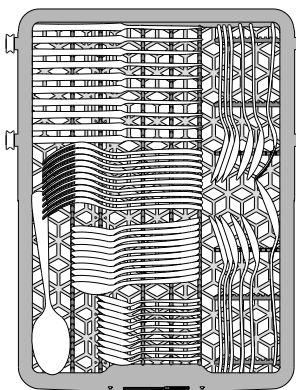
ActiveDry est un système de séchage à convection qui ouvre automatiquement la porte pendant/après la phase de séchage pour assurer une performance de séchage exceptionnelle chaque jour.

La porte s'ouvre à la température qui est sûre pour les meubles de votre cuisine.

À titre de protection supplémentaire contre la vapeur, une feuille de protection spécifiquement conçue est ajoutée avec le lave-vaisselle. Pour voir comment monter la feuille de protection, consulter le *GUIDE D'INSTALLATION*.

CHARGEMENT DES PANIERS

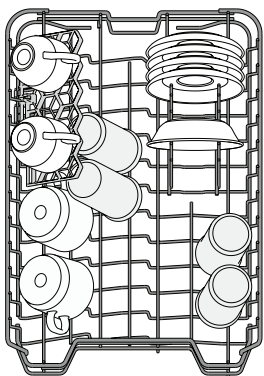
COMPARTIMENT À COUVERT



Le troisième panier a été conçu pour contenir les couverts. Placez les couverts comme illustré sur le dessin ci-contre. Séparer les couverts facilite le rangement après le cycle de lavage et améliore les programmes de lavage et de séchage.

Les couteaux et autres ustensiles avec des bords tranchants doivent être placés dans le panier à couvert avec la pointe vers le bas.

PANIER SUPÉRIEUR



Chargez la vaisselle délicate et légère: verres, tasses, soucoupes, saladiers bas.

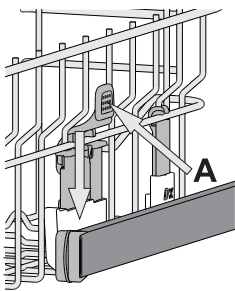
(exemple de chargement du panier supérieur)

AJUSTER LA HAUTEUR DU PANIER SUPÉRIEUR

Vous pouvez ajuster la hauteur du panier supérieur : position élevée pour placer la vaisselle encombrante sur le panier inférieur, et la position basse pour profiter au maximum des supports rabattables et créant plus d'espace vers le haut et éviter les chocs avec les articles sur le panier inférieur. Le panier supérieur comprend un **dispositif de réglage de la hauteur du panier supérieur** (voir figure), sans appuyer sur les leviers, simplement soulever en tenant le panier sur les côtés jusqu'à ce qu'il soit stable en position élevée. Pour abaisser le panier, appuyez sur les leviers **A** sur les côtés du panier et déplacez-le vers le bas.

Nous vous conseillons fortement de ne pas ajuster la hauteur du panier lorsqu'il est chargé.

Ne JAMAIS soulever ou abaisser un seul côté du panier.



VOLETS PLIABLES AVEC POSITIONS AJUSTABLES

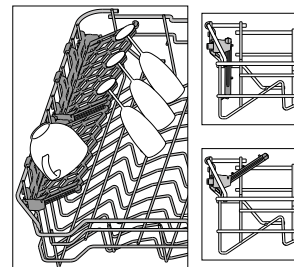
Les volets pliables latéraux peuvent être pliés ou dépliés afin d'optimiser la disposition de la vaisselle à l'intérieur du panier.

Les verres de vin peuvent être placés de façon sécuritaire dans les volets pliables en insérant le pied de chaque verre dans la fente correspondante.

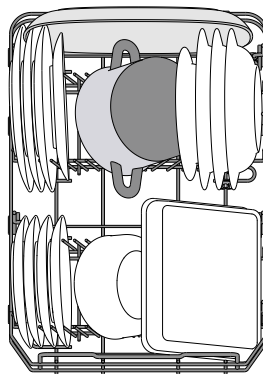
En cas de position haute du rack supérieur, les volets ne peuvent pas rester dans la position verticale.

Selon le modèle :

- pour déplier les volets, il est nécessaire de les coulisser vers le haut et de les tourner ou de les libérer des fixations et de les tirer vers le bas.
- pour replier les volets, il est nécessaire de les tourner et de les faire coulisser vers le bas ou de les tirer vers le haut et de les accrocher aux fixations.



PANIER INFÉRIEUR



Pour les poêles, les couvercles, les plats, les saladiers, les couverts, etc. Les grands plats et les grands couvercles devraient être placés sur le côté pour éviter qu'ils n'entravent le fonctionnement des bras d'aspersion.

(exemple de chargement du panier inférieur)

UTILISATION QUOTIDIENNE

1. VÉRIFIER LE BRANCHEMENT DE L'EAU

Assurez-vous que l'appareil est raccordé à un réseau d'alimentation et que le robinet de l'eau est ouvert.

2. ALLUMER LE LAVE-VAISSELLE

Ouvrez la porte et appuyez sur la touche **MARCHE/ARRÊT**.

3. CHARGER LES PANIERS (voir CHARGEMENT DES PANIERS).

4. REMPLIR DE DISTRIBUTEUR DE DÉTERGENT

5. CHOISIR LE PROGRAMME ET PERSONNALISER LE CYCLE

Sélectionnez le meilleur programme selon le type de vaisselle et le niveau de saleté (voir DESCRIPTION DES PROGRAMMES) en appuyant sur la touche **P**.

Sélectionnez les options désirées (voir OPTIONS ET FONCTIONS).

6. DÉMARRER

Démarrez le cycle de lavage en appuyant sur le bouton **START/Pause** (le témoin est allumé) et en fermant la porte dans les 4 secondes. Quand le programme démarre, vous entendez un bip simple. Si la porte n'a pas été fermée dans les 4 secondes, le signal d'alarme est activé. Dans ce cas, ouvrez la porte, appuyez sur le bouton **START/Pause** et fermez de nouveau la porte dans les 4 sec.

7. FIN DU CYCLE DE LAVAGE

La fin du cycle de lavage est indiquée par des bips et par le clignotement du voyant du programme sélectionné. Ouvrez la porte et éteignez l'appareil en appuyant sur la touche **MARCHE/ARRÊT**. Pour éviter de vous brûler, attendez quelques minutes avant de retirer la vaisselle. Déchargez les paniers en commençant par le panier inférieur.

L'appareil s'éteint automatiquement durant des périodes d'inactivité prolongées pour réduire la consommation d'énergie. Si la vaisselle est légèrement sale ou si elle a été rincée avec de l'eau avant d'être placée dans le lave-vaisselle, réduisez la quantité de détergent utilisée en conséquence.

MODIFIER UN PROGRAMME EN COURS

Si vous avez sélectionné le mauvais programme, vous pouvez le changer, à condition que ce soit fait au tout début du cycle: ouvrir la porte, appuyer sur le bouton **MARCHE/ARRÊT** et le maintenir enfoncé, la machine s'éteindra.

Rallumez l'appareil en appuyant sur la touche **MARCHE/ARRÊT** et sélectionnez le nouveau cycle de lavage et les options désirées ; lancer le cycle en appuyant sur le bouton **START/Pause** et en fermant la porte dans les 4 sec.

AJOUTER DE LA VAISSELLE

Sans éteindre la machine, ouvrir la porte (Le voyant **START/Pause** commencera à clignoter) (**attention à la vapeur CHAUDE !**) et placer la vaisselle à l'intérieur du lave-vaisselle. Appuyez sur le bouton **START/Pause** et fermer la porte dans les 4 sec, le cycle reprendra à l'endroit où il a été interrompu.

INTERRUPTIONS IMPRÉVUES

Si la porte est ouverte pendant le cycle de lavage, ou s'il y a une coupure de courant, le cycle s'arrête. Pour reprendre le cycle à l'endroit où il a été interrompu, appuyez sur le bouton **START/Pause** et fermer la porte dans les 4 sec.

AVIS ET CONSEILS

CONSEILS

Avant de charger les paniers, enlevez tous les résidus de nourriture sur la vaisselle et videz les verres. **Vous n'avez pas besoin de rincer la vaisselle avant de la placer dans le lave-vaisselle.**

Placez la vaisselle pour qu'elle tienne bien en place et ne risque pas de tomber; et placez les récipients avec les ouvertures vers le bas et les parties concaves/convexes de côté pour permettre à l'eau d'atteindre toutes les surfaces et couler librement.

Avertissement : Vérifiez que les couvercles, poignées et poêle à frire n'empêchent pas les bras d'aspersion de tourner librement. Placez les petits articles dans le panier à couvert. La vaisselle et les casseroles très sales devraient être placées sur le panier inférieur car les jets d'eau sont plus forts dans cette section et permet un meilleur rendement lors du lavage. Après avoir chargé l'appareil, assurez-vous que les bras d'aspersion peuvent bouger librement.

VAISSELLE QUI NE CONVIENT PAS

- Vaisselle et couverts en bois.
- Verres décoratifs délicats, produits artisanaux, et vaisselle antique. Les garnitures ne sont pas résistantes.
- Les pièces en matériel synthétique qui ne supportent pas les hautes températures.
- La vaisselle en cuivre ou en étain.
- La vaisselle tachée de cendre, de cire, de graisse lubrifiante, ou d'encre.

Les couleurs des garnitures de verre et des pièces d'aluminium/argent peuvent changer et ternir durant le cycle de lavage. Certains types de verre (p. ex. les objets en cristal) peuvent aussi devenir opaque après plusieurs cycles de lavage.

VERRES ET VAISSELLE ENDOMMAGÉS

- Seulement utiliser des verres ou de la porcelaine qui sont lavables au lave-vaisselle conformément aux recommandations du fabricant.
- Utilisez un détergent doux, adéquat pour la vaisselle.
- Retirez les verres et les couverts du lave-vaisselle aussitôt que le cycle de lavage est terminé

ASTUCES SUR L'ÉCONOMIE D'ÉNERGIE

- Lorsque le lave-vaisselle domestique est utilisé conformément aux instructions du fabricant, **le lavage de la vaisselle dans un lave-**

vaisselle consomme habituellement MOINS D'ÉNERGIE et d'eau que le lavage à la main.

- Afin d'optimiser l'efficacité du lave-vaisselle, il est recommandé de **débuter le cycle de lavage une fois que le lave-vaisselle est totalement chargé.** Le chargement du lave-vaisselle domestique jusqu'à la capacité indiquée par le fabricant contribuera à économiser de l'énergie et de l'eau. Vous trouverez des informations sur le chargement correct de la vaisselle dans le chapitre CHARGEMENT DES PANIERS. En cas de chargement partiel, il est recommandé d'utiliser des options de lavage spécifiques si elles sont disponibles (Demi-charge / Zone Wash/ Multi Zone), en remplissant uniquement les paniers sélectionnés. Un chargement incorrect ou une surcharge du lave-vaisselle peut augmenter l'utilisation des ressources (telles que l'eau, l'énergie et le temps, et augmenter le niveau de bruit), en réduisant les performances de nettoyage et de séchage.
- Un pré-rinçage manuel des éléments de vaisselle provoque une augmentation de la consommation d'eau et d'énergie et n'est pas recommandé.

HYGIÈNE

Pour éviter les odeurs et les dépôts qui pourraient s'accumuler dans le lave-vaisselle, lancer un programme à haute température au moins une fois par mois. Utilisez une cuillère à café de détergent et lancer le programme sans vaisselle pour nettoyer l'appareil.

RÉSISTANCE AU GEL

Si l'appareil est installé dans une pièce exposée au risque de gel, **vidangez-le complètement.** Fermez la valve d'eau, retirez les tuyaux d'arrivée et de vidange, puis laissez l'eau s'écouler. **Assurez-vous que l'adoucisseur d'eau est plein de sel régénérant dissous dans le réservoir de sel,** pour protéger l'appareil des températures pouvant aller jusqu'à -20°C. Si l'appareil a été conservé dans des conditions de gel, il doit rester à une température ambiante de 5°C minimum pendant **au moins 24 heures** avant la première utilisation.

NETTOYAGE ET ENTRETIEN

NETTOYER L'ENSEMBLE FILTRE

Nettoyez régulièrement l'ensemble filtre pour éviter qu'il ne se bouche et pour permettre aux eaux usées de bien s'éliminer.

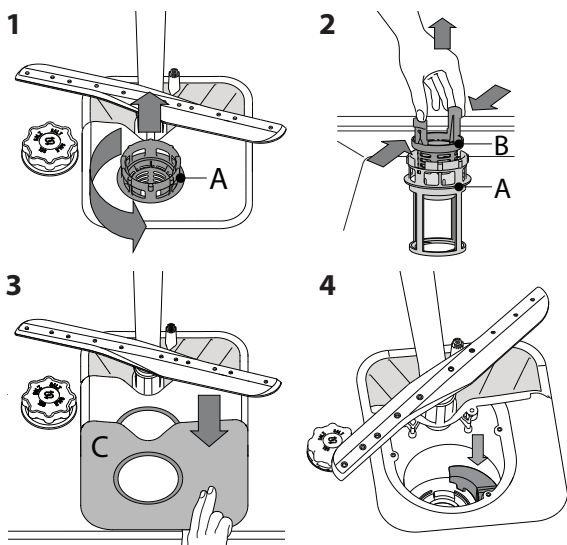
L'utilisation du lave-vaisselle avec des filtres obstrués ou des corps étrangers à l'intérieur du système de filtration ou des bras de lavage peut provoquer un dysfonctionnement du lave-vaisselle en réduisant l'efficacité de lavage, en augmentant le bruit de fonctionnement et la consommation d'électricité.

L'ensemble filtre comprend trois filtres qui séparent les résidus de nourriture de l'eau de lavage pour ensuite faire circuler l'eau.

N'utilisez pas le lave-vaisselle sans les filtres ou si un filtre est mal ajusté.

Au moins une fois par mois ou tous les 30 cycles, vérifiez l'assemblage du filtre et si nécessaire, nettoyez-le minutieusement sous l'eau courante, en utilisant une brosse non-métallique et en suivant les instructions ci-dessous :

1. Tournez le filtre cylindrique **A** dans le sens antihoraire et retirez-le (Fig. 1).
2. Enlevez le panier du filtre **B** en appliquant une légère pression sur les volets latéraux (Fig. 2).
3. Retirez la plaque du filtre en acier inoxydable **C** (Fig. 3).
4. Si vous trouvez des objets étrangers (comme du verre brisé, de la porcelaine, des os, des pépins de fruits, etc), enlevez-les minutieusement.
5. Inspecter la cavité et enlever les résidus de nourriture. **NE JAMAIS ENLEVER** la protection de la pompe du cycle de lavage (détails en couleur noir) (Fig 4).



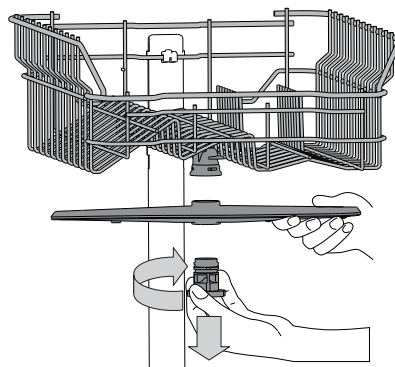
Après avoir nettoyé les filtres, assemblez de nouveau l'ensemble filtre et remettez-le en place correctement; c'est très important pour que le lave-vaisselle garde son efficacité.

NETTOYER LE TUYAU D'ARRIVÉE D'EAU

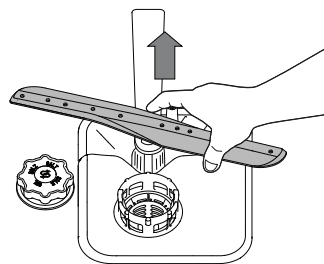
Si les tuyaux d'eau sont neufs ou s'ils n'ont pas été utilisés depuis longtemps, laissez l'eau couler pour vous assurer qu'il n'y a pas d'impureté ou de saleté avant de les brancher. Si vous n'effectuez pas cette opération, l'arrivée d'eau pourrait se boucher et endommager le lave-vaisselle.

NETTOYER LES BRAS D'ASPERSION

À l'occasion, des résidus de nourriture s'incrusteront dans les bras d'aspersion et bloqueront les trous utilisés pour asperger de l'eau. Il est donc conseillé de vérifier les bras de temps en temps et de les nettoyer avec une petite brosse non métallique.



Pour enlever le bras d'aspersion supérieur, tournez l'anneau de verrouillage en plastique dans le sens horaire. Le bras d'aspersion supérieur doit être replacé de façon que le côté avec le plus grand nombre de trous est placé vers le haut.



Le bras d'aspersion inférieur peut être enlevé en le tirant vers le haut.

SYSTÈME ADOUCISSEUR D'EAU

L'adoucisseur d'eau réduit automatiquement la dureté de l'eau, en empêchant ainsi la formation de calcaire sur la résistance, et en contribuant également à une meilleure performance de nettoyage.

Ce système se régénère avec du sel, il est donc nécessaire de remplir le bac de sel lorsqu'il est vide.

La fréquence de régénération dépend du réglage du niveau de dureté de l'eau - la régénération a lieu une fois tous les **6** cycles Eco avec un niveau de dureté de l'eau réglé à **3**. Le processus de régénération débute lors du rinçage final et se termine en phase de séchage avant la fin du cycle.

- Une régénération simple consomme : ~3,5 L d'eau ;
- Prend jusqu'à 5 minutes supplémentaires pour le cycle ;
- Consomme moins de 0,005 kWh d'énergie.

DÉPANNAGE

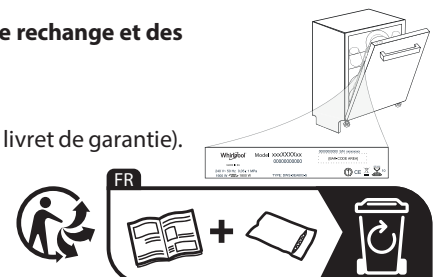
Si votre lave-vaisselle ne fonctionne pas correctement, vérifiez si le problème peut être résolu en suivant la liste ci-après. Pour d'autres erreurs ou problèmes, contactez le Service après-vente agréé dont les coordonnées peuvent être trouvées dans le livret de garantie. Les pièces de rechange seront disponibles pour une période allant jusqu'à 7 ou jusqu'à 10 ans, selon les exigences spécifiques du règlement.

PROBLÈMES	CAUSES POSSIBLES	SOLUTIONS
Le lave-vaisselle ou les commandes ne fonctionnent pas.	L'appareil n'est pas bien branché.	Insérez la fiche dans la prise de courant.
	Panne de courant.	Pour des raisons de sécurité, le lave-vaisselle ne redémarrera pas automatiquement lors du retour de l'alimentation électrique. Ouvrez la porte du lave-vaisselle, appuyez sur le bouton START/Pause, et fermez la porte dans les 4 secondes.
	La porte du lave-vaisselle n'est pas fermée. La tige du système ActiveDry n'est pas rentrée.	Poussez vigoureusement la porte pour entendre le « clic ».
	Le cycle est interrompu par une ouverture de la porte supérieure à 4 secondes.	Appuyez sur START/Pause et fermez la porte dans les 4 secondes.
	Les commandes ne fonctionnent pas. L'afficheur indique :	Éteindre l'appareil en appuyant sur la touche MARCHE/ARRÊT , rallumez-le environ une minute après, et Recommencer le programme. Si le problème persiste, débranchez l'appareil pendant 1 minute, puis rebranchez-le.
Le lave-vaisselle ne se vidange pas.	Le cycle de lavage n'est pas encore terminé.	Attendre que le cycle se termine.
	Le tuyau de vidange est plié.	Assurez-vous que le tuyau de vidange n'est pas plié (voir <i>CONSIGNES D'INSTALLATION</i>).
	Le conduit de vidange de l'évier est bouché.	Nettoyez le conduit de vidange de l'évier.
	Le filtre est bouché par des résidus de nourriture.	Nettoyez le filtre (voir <i>NETTOYAGE DE L'ENSEMBLE FILTRE</i>).
Le lave-vaisselle fait beaucoup de bruit.	La vaisselle s'entrechoque.	Remplacez la vaisselle (voir <i>CHARGEMENT DES PANIERS</i>).
	Il y a une trop grande quantité de mousse.	Le détergent a été mal mesuré ou il n'est pas adéquat pour les lave-vaisselles (voir <i>REEMPLIR LE DISTRIBUTEUR DE DÉTERGENT</i>). Recommencer le cycle en cours en éteignant le lave-vaisselle, puis en le rallumant, sélectionnez un nouveau programme, appuyez sur START/Pause et fermez la porte dans les 4 secondes. Merci de ne pas ajouter de détergent.
La vaisselle n'est pas propre.	La vaisselle n'est pas bien placée.	Remplacez la vaisselle (voir <i>CHARGEMENT DES PANIERS</i>).
	Les bras d'aspersion ne bougent pas librement, ils sont gênés par la vaisselle.	Remplacez la vaisselle (voir <i>CHARGEMENT DES PANIERS</i>).
	Le cycle de lavage est trop délicat.	Sélectionnez le cycle de lavage approprié (voir <i>TABLEAU DES PROGRAMMES</i>).
	Il y a une trop grande quantité de mousse.	Le détergent a été mal mesuré ou il n'est pas adéquat pour les lave-vaisselles (voir <i>REEMPLIR LE DISTRIBUTEUR DE DÉTERGENT</i>).
	Le bouchon du compartiment de liquide de rinçage n'est pas bien fermé.	Assurez-vous que le bouchon du distributeur de liquide de rinçage est fermé.
	Le filtre est sale ou bouché.	Nettoyez l'ensemble de filtre (voir <i>NETTOYAGE ET ENTRETIEN</i>).
	Il n'y a pas de sel.	Remplir le réservoir de sel (voir <i>REEMPLIR LE RÉSERVOIR DE SEL</i>).
L'eau n'arrive pas au lave-vaisselle.	L'alimentation d'eau est vide ou le robinet est fermé.	Assurez-vous qu'il y a de l'eau dans le circuit d'alimentation ou que le robinet est ouvert.
	Le tuyau d'arrivée est plié.	Assurez-vous que le tuyau d'entrée n'est pas plié (voir <i>INSTALLATION</i>) reprogrammez le lave-vaisselle et relancez-le.
Toutes les LED clignotent rapidement	Le tamis dans le tuyau d'arrivée d'eau est obstrué ; il est nécessaire de le nettoyer.	Après avoir complété la vérification et le nettoyage, éteignez et rallumez le lave-vaisselle et redémarrez le programme.
	Le tuyau de vidange est positionné trop bas ou se vide dans le système d'évacuation domestique.	Vérifiez si l'extrémité du tuyau de vidange est placée à la hauteur correcte (voir <i>INSTALLATION</i>). Vérifiez la vidange dans le système d'évacuation domestique, installez une vanne d'admission d'air si nécessaire.
Le lave-vaisselle termine le cycle prématurément	De l'air est présent dans l'alimentation en eau.	Vérifiez si l'alimentation en eau présente des fuites ou d'autres problèmes laissant entrer de l'air.
	La fuite de détergent.	Les petites fuites n'entraînent pas de dysfonctionnement de la machine et peuvent être évitées en changeant de type de détergent liquide ou en utilisant des tablettes.

Vous trouverez les documents normatifs, la documentation standard, le classement des pièces de rechange et des informations supplémentaires sur les produits:

- En utilisant le QR code sur votre produit.
- En visitant notre site web docs.hotpoint.eu et parts-selfservice.europeanappliances.com
- Vous pouvez également **contacter notre Service après-vente** (voir numéro de téléphone dans le livret de garantie). Lorsque vous contactez notre Service après-vente, veuillez indiquer les codes figurant sur la plaque signalétique de l'appareil.

Les informations relatives au modèle peuvent être trouvées en utilisant le QR-Code figurant sur l'étiquette énergétique. L'étiquette comprend également l'identifiant du modèle qui peut être utilisé pour consulter le portail du registre sur le site <https://eprel.ec.europa.eu>.



VODIČ ZA SVAKODNEVNU UPOTREBU



ZAHVALJUJEMO VAM NA KUPOVINI PROIZVODA HOTPOINT ARISTON.
Kako bismo vam mogli pružiti potpuniju pomoć, registrirajte svoj uređaj na adresi: www.hotpoint.eu/register

**SKENIRAJTE QR KOD
NA SVOM UREĐAJU DA
BISTE DOBILI VIŠE
INFORMACIJA.**



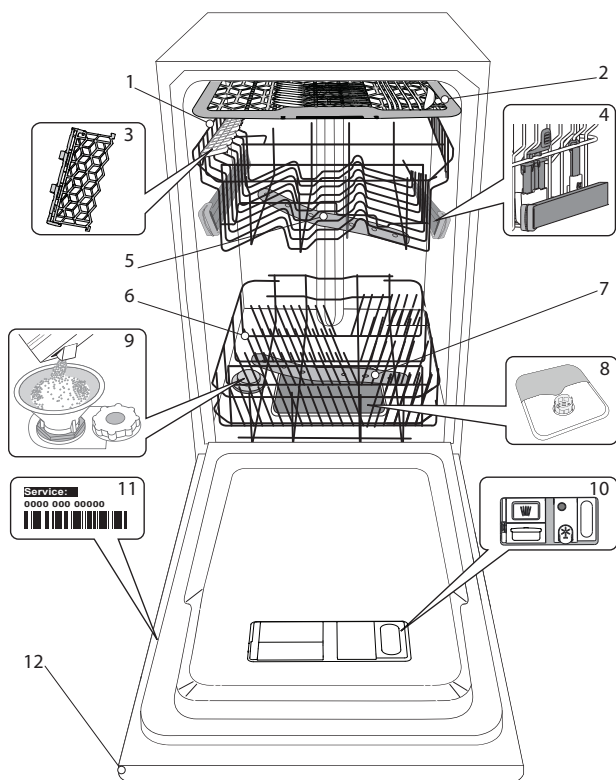
Prije upotrebe uređaja pažljivo pročitate ove Sigurnosne upute i Upute za postavljanje.



Nakon postavljanja nemojte zaboraviti izvaditi sve zaštitne dijelove za transport iz perilice posuđa.

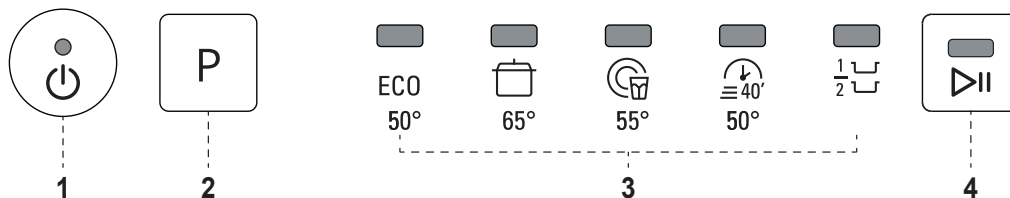
OPIS PROIZVODA

UREĐAJ



1. Gornja košara
2. Stalak za pribor za jelo
3. Pomični preklopi
4. Mehanizam za podešavanje gornje košare po visini
5. Gornji nosač prskalica
6. Donja košara
7. Donji nosač prskalica
8. Sklop filtra
9. Spremnik za sol
10. Spremnici za deterdžent i sredstvo za ispiranje
11. Natpisna pločica
12. Upravljačka ploča

UPRAVLJAČKA PLOČA



1. Gumb za uključivanje/isključivanje ponovno postavljanje sa svjetlom indikatora
2. Gumb za odabir programa
3. Svjetla indikatora programa
4. Gumb Start/Pauza sa svjetlom indikatora

Hotpoint

ARISTON

PRVA UPOTREBA

SOL, SREDSTVO ZA ISPIRANJE I DETERDŽENT

SAVJETI ZA PRVU UPOTREBU

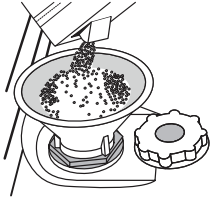
Nakon postavljanje uklonite graničnike s košara i pričvrstne elastične elemente s gornje košare.

PUNJENJE SPREMNIKA ZA SOL

Upotreba soli sprječava stvaranje kamenca na posuđu i na funkcionalnim sastavnim dijelovima stroja.

- Nužno je pridržavati se toga da **SPREMNIK SOLI NIKADA NIJE PRAZAN**.
- Tvrdća vode mora se postaviti.

Spremnik za sol nalazi se u donjem dijelu perilice posuđa (pogledajte OPIS PROIZVODA) i treba ga napuniti kada zeleni plovak na poklopcu spremnika za sol više nije vidljiv.



1. Skinite donju košaru i odvijte čep spremnika (u smjeru suprotnom od smjera kazaljke na satu).
2. **Samo kod prve uporabe: napunite spremnik za sol vodom.**
3. Postavite lijevak (pogledajte sliku) i spremnik soli napunite do samog ruba (približno 1 kg); Curenje male količine vode nije neobično.
4. Uklonite lijevak i obrišite ostatke soli s otvora.

Provjerite je li poklopac čvrsto zategnut tako da deterdžent ne može ući u spremnik tijekom programa pranja (to bi moglo nepovratni oštetiti omekšivač vode).

Svaki put kada trebate dodati sol obavezno treba završiti cijeli postupak prije početka ciklusa pranja da bi se izbjegla pojava korozije.

POSTAVLJANJE TVRDOĆE VODE

Kako bi omekšivač vode mogao savršeno raditi, tvrdoća vode mora se postaviti na temelju stvarne tvrdoće vode u domaćinstvu. Tu informaciju možete dobiti u lokalnom vodoopskrbnom poduzeću. Zadana vrijednost tvrdoće vode postavlja se u tvornici.

- Uključite uređaj tako da pritisnete gumb za **uključivanje/isključivanje**.
- Uređaj isključite tako da pritisnete gumb za **uključivanje/isključivanje**.
- Držite pritisnutim gumb **P** 5 sekundi dok ne začujete zvučni signal bip.
- Uključite uređaj tako da pritisnete gumb za **uključivanje/isključivanje**.
- Svjetlo indikatora programa trenutno postavljene razine trepće.
- Pritisnite gumb **P** za odabir željene razine tvrdoće (pogledajte **TABLICA TVRDOĆE VODE**).

Tablica tvrdoće vode					
Razina			°dH Njemački stupnjevi	°fH Francuski stupnjevi	°Clark Engleski stupnjevi
1	ECO	Meka	0 - 6	0 - 10	0 - 7
2		Srednja	7 - 11	11 - 20	8 - 14
3		Prosječna	12 - 16	21 - 29	15 - 20
4		Tvrda	17 - 34	30 - 60	21 - 42
5		Vrlo tvrda	35 - 50	61 - 90	43 - 62

- Uređaj isključite tako da pritisnete gumb za **uključivanje/isključivanje**.

Postavljanje je dovršeno!

Čim taj postupak završi, pokrenite program bez punjenja.

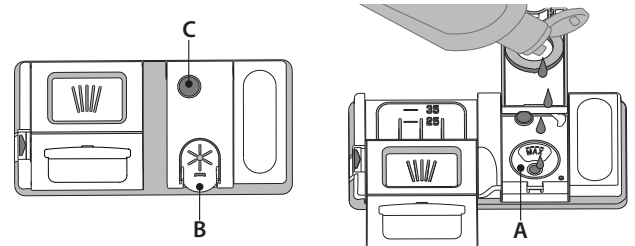
Upotrebljavajte isključivo sol koja je napravljena posebno za perilice suđa.

Nakon što se sol ulije u stroj, isključuje se svjetlo indikator PUNJENJE SOLI. **Ako spremnik za sol nije napunjen zbog nakupljanja kamenca može doći do oštećenje omekšivača vode i grijača.**

Upotreba soli preporučuje se sa svim vrstama deterdženta za pranje suđa.

PUNJENJE DOZATORA SREDSTVA ZA ISPIRANJE

Sredstvo za ispiranje olakšava SUŠENJE posuđa. Spremnik sredstva za ispiranje **A** treba napuniti kada tamni optički indikator na vratima spremnika **C** postane proziran.



1. Otvorite dozator **B** tako da pritisnete i povučete jezičac na poklopcu.
2. Pažljivo uvedite sredstvo za ispiranje do referente oznake maksimalne količine (110 ml) prostora za punjenje, pazite da ne dođe do prolivanja. Ako se to dogodi, suhom krpom odmah očistite proliveno.
3. Pritisnite poklopac dok se ne zatvori uz klik.

Sredstvo za ispiranje NIKADA ne ulijevajte izravno u kadicu.

PODEŠAVANJE DOZIRANJA SREDSTVA ZA ISPIRANJE

Ako niste potpuno zadovoljni rezultatima sušenja, možete podesiti količinu upotrijebljenog sredstva za ispiranje.

- Perilicu suđa uključite pomoću gumba za **uključivanje/isključivanje**.
- Isključite je pomoću gumba za **uključivanje/isključivanje**.
- Tri puta pritisnite gumb **P**, začut će se zvučni signal bip.
- Uključite je pomoću gumba za **uključivanje/isključivanje**.
- Svjetlo indikatora programa trenutno postavljene razine trepće.
- Pritisnite gumb **P** za odabir razine količine sredstva za ispiranje koja će se upotrijebiti.
- Isključite ga pomoću gumba za **uključivanje/isključivanje**.

Postavljanje je dovršeno!

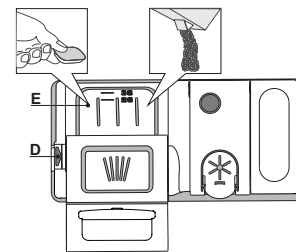
Ako je razina sredstva za ispiranje postavljena na 1 (EKO), sredstvo za ispiranje neće se upotrijebiti.

Ovisno o vrsti perilice suđa mogu se postaviti najviše 5 razine. Tvornička postavka posebno je napravljena za ovaj model, pratite gore navedene upute da biste je provjerili na svom uređaju.

- Ako na suđu primijetite plavičaste pruge, postavite nizak broj (2-3).
- Ako na suđu ima kapi vode ili tragova kamenca, postavite viši broj (4-5).

PUNJENJE SPREMNIKA ZA DETERDŽENT

Za otvaranje spremnika za deterdžent upotrijebite uređaj za otvaranje D. Deterdžent stavite samo u suhi spremnik E. Količinu deterdženta za prepranje stavite izravno u kadu.





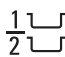


1. Prilikom doziranja deterdženta pogledajte ranije navedene informacije kako biste stavili odgovarajuću količinu. Unutar dozatora **E** nalaze se oznake koje vam pomažu prilikom doziranja.
2. Uklonite ostatke deterdženta s rubova spremnika prije no što poklopac zatvorite tako da sjedne.
3. Poklopac spremnika za deterdžent zatvorite tako da ga povučete dok se mehanizam za zatvaranje ne učvrsti.

Spremnik za deterdžent automatski se otvara u odgovarajućem trenutku ovisno o programu.

Upotreba deterdženta koji nije namijenjen perilicama posuđa može prouzročiti nepravilnosti ili oštećenje uređaja.

TABLICA PROGRAMA

Program	Faza sušenja	ActiveDry ^{*)}	Trajanje programa pranja (h:min) ^{**)}	Potrošnja vode (litara po ciklusu)	Potrošnja energije (kWh po ciklusu)
1. Eko  50°	✓	✓	3:35	8.7	0.72
2. Intenzivno  65°	✓	✓	2:45	17.5	1.60
3. Miješano  55°	✓	✓	2:30	15.0	1.30
4. Brzo 40'  50°	-	✓	0:40	9.0	0.70
5. Pola punjenja  55°	✓	✓	1:20	11.0	1.00

Podaci EKO programa izmjereni su u laboratorijskim uvjetima u skladu s europskom normom EN 60436:2020.

Napomena za pokusne laboratorije: detaljne informacije o uvjetima za komparativni pokus EN zatražite na adresi: dw_test_support@europeanappliances.com
Prije primjene bilo kojeg programa nije potrebno obraditi posuđe.

*) Vrata se otvaraju prije završetka programa. To poboljšava učinkovitost sušenja. Pričekajte da se ciklus završi i da čujete zvučni signal prije nego što ispraznite perilicu posuđa.

**) Vrijednosti navedene za programe, osim programa Eko, služe isključivo kao informacija. Stvarno vrijeme može se razlikovati ovisno o brojnim čimbenicima kao što su temperatura i tlak ulazne vode, sobna temperatura, količina deterdženta, količina i vrsta punjenja, ravnoteža punjenja, dodatne odabrane opcije i baždarenje senzora. Baždarenje senzora može povećati trajanje programa do 20 min.

OPIS PROGRAMA

Upute za odabir ciklusa pranja.

1 EKO

Program Eko prikladan je za uobičajeno prljavo posuđe i pri takvoj je upotrebi to najučinkovitiji program po pitanju ukupne potrošnje vode i energije i upotrebljava se za procjenu usklađenosti s propisima EU o ekološkom načinu izrade.

2 INTENZIVNO

Preporučeni program za jako prljavo posuđe, posebno pogodan za tave i tave za umake (ne upotrebljavati za osjetljivo posuđe).

3 MIJEŠANO

Mješovito zaprljanje. Za uobičajeno prljavo posuđe s ostacima sasušene hrane.

4 BRZO 40'

Program koji se treba upotrebljavati pola punjenja malo zaprljanog posuđa bez osušenih ostataka hrane. Nema faze sušenja.

5 POLA PUNJENJA

Idealno za pranje pola punjenja malo ili uobičajeno prljavog posuđa.

Napomene:

Napominjemo da je ciklus *Brzo 40'* namijenjen isključivo malo zaprljanom posuđu.

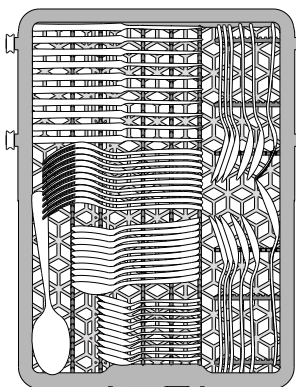
OPCIJE I FUNKCIJE

ActiveDry konvekcijski je sustav sušenja koji automatski otvara vrata tijekom/nakon faze sušenja da bi svakodnevno zajamčio izvanrednu učinkovitost sušenja. Vrata se otvaraju na temperaturi sigurnoj za vaš kuhinjski namještaj.

Kao dodatnu zaštitu od pare, zajedno s perilicom posuđa, isporučuje se posebno dizajnirana zaštitna folija. Način postavljanja zaštitne folije pogledajte u dijelu (VODIČ ZA POSTAVLJANJE).

PUNJENJE KOŠARA

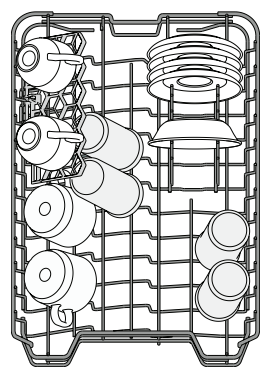
KOŠARA ZA PRIBOR ZA JELO



Treća košara namijenjena je priboru za jelo. Pribor za jelo složite kako je prikazano na slici. Odvojeno slaganje pribora za jelo olakšava sakupljanje nakon pranje i poboljšava učinkovitost pranja i sušenja.

Noževe i ostali pribor s oštricom mora se postaviti s oštricama okrenutima prema dolje.

GORNJA KOŠARA



(primjer punjenja za gornju košaru)

Punite je osjetljivim, laganim suđem: čašama, šalicama, posudama za umake i laganim zdjelama za salatu.

PODEŠAVANJE GORNJE KOŠARE PO VISINI

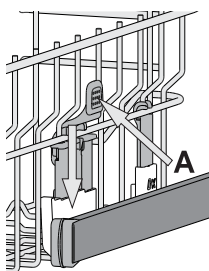
Visina gornje košare može se podesiti: visoki položaj za postavljanje glomaznog suđa u donju košaru i niski položaj za potpuno iskorištavanje potporna za postavljanje stvaranjem više mjesta u gornjem dijelu i izbjegavanje udaraca s predmetima u donjoj košari.

Gornja je košara opremljena **mehanizmom za podešavanje gornje košare po visini** (pogledajte sliku) i bez pritiska na ručice podignite je tako da smo uhvatite stranice košare čim je košara stabilna u svom gornjem položaju.

Za ponovno postavljanje u donji položaj pritisnite ručice **A** na stranicama košare i pomaknite je prema dolje.

Preporučujemo da podešavanje po visini ne obavljate s punom košarom.

Košaru NIKADA ne podižite ili spuštajte samo na jednoj strani.



POMIČNI PREKLOPI S PODESIVIM POLOŽAJEM

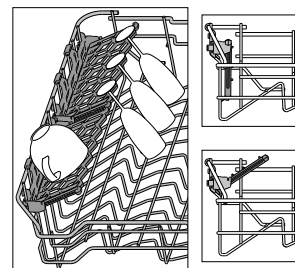
Bočni pomični preklopi mogu se sklopiti ili rasklopiti da bi se poboljšalo slaganje posuđa u košaru.

Čaše za vino mogu se sigurno postaviti u pomične preklope tako da se nožica svake čaše umetne u odgovarajući otvor.

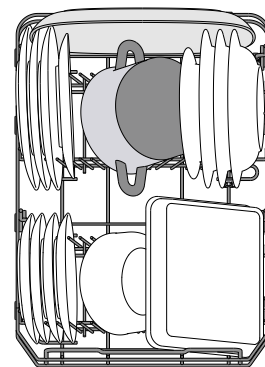
U slučaju da je gornja polica u visokom položaju, preklopi ne mogu ostati u okomitom položaju.

Ovisno o modelu:

- preklope sklopite tako da ih skliznete i okrenete ili ih otpustite iz otvora i izvučete.
- preklope rasklopite tako da ih okrenete i klizno pomaknete prema dolje ili podignete i preklope pričvrstite na utore.



DONJA KOŠARA



(primjer punjenja za donju košaru)

Za lonce, tave, tanjure, zdjele za salatu, pribor za jelo itd. Velike tanjure i poklopce idealno bi bilo postaviti sa strane kako bi se izbjeglo da ometaju nosače mlaznica.

SVAKODNEVNA UPORABA

1. PROVJERA PRIKLJUČKA ZA VODU

Provjerite je li perilica suđa spojena na dovod vode i je li otvorena slavina.

2. UKLJUČIVANJE PERILICE SUĐA

Otvorite vrata i pritisnite gumb **uključivanje/isključivanje**.

3. PUNJENJE KOŠARA

(pogledajte PUNJENJE KOŠARA)

4. PUNJENJE SPREMNIKA ZA DETERDŽENT

5. ODABIR PROGRAMA I PRILAGOĐAVANJE CIKLUSA

Odaberite najprikladniji program prema vrsti posuđa i razini zaprljanja (pogledajte OPIS PROGRAMA) pritiskom na gumb **P**. Odaberite željene opcije (pogledajte OPCIJE I FUNKCIJE).

6. POKRETANJE

Ciklus pranja započnete pritiskom na gumb **START/Pauza** (uključeno je led svjetlo) i zatvorite vrata u roku od 4 s. Kada program započne oglašava se jedan zvučni signal bip. Ako se vrata ne zatvore u roku od 4 s., oglasit će se zvučni alarm. U tom slučaju otvorite vrata, pritisnite gumb **START/Pauza** i ponovno zatvorite vrata u roku od 4 s.

7. KRAJ CIKLUSA PRANJA

Kraj ciklusa pranja označen je zvučnim signalima bip i treperenjem svjetla indikatora odabranog programa. Otvorite vrata i uređaj isključite tako da pritisnete gumb za **uključivanje/isključivanje**. Pričekajte nekoliko minuta prije vađenja posuđa kako biste izbjegli opekotine. Ispraznite košare, započinjući s donjom košarom.

Stroj će se automatski isključiti tijekom produženog razdoblja neaktivnosti kako bi se smanjila potrošnja struje.

Ako je posuđe samo malo prljavo ili ako ga ispirate prije stavljanja u perilicu posuđa, u skladu s tim smanjite količinu deterdženta.

IZMJENA PROGRAMA U RADU

Ako odaberete pogrešan program, možete ga promijeniti pod uvjetom da je tek započeo: otvorite vrata, pritisnite i držite gumb za **uključivanje/isključivanje**, stroj će se isključiti.

Ponovno uključite stroj pomoću gumba za uključivanje/isključivanje i odaberite novi ciklus pranja i sve željene opcije; ciklus pokrenite pritiskom na gumb **START/Pauza** i zatvaranjem vrata u roku od 4 s.

DODAVANJE DODATNOG POSUĐA

Ne isključujući uređaj otvorite vrata (led svjetlo **START/Pauza** počinje treperiti) (**pazite na VRUĆU paru!**) i posuđe stavite u perilicu.

Pritisnite gumb **START/Pauza** i zatvorite vrata u roku od 4 s, ciklus će se nastaviti od mjesta na kojem je prekinut.

NEHOTIČNI PREKIDI

Ako se tijekom ciklusa pranja vrata otvore ili ako je došlo do nestanka struje, ciklus se zaustavlja. Pritisnite gumb **START/Pauza** i zatvorite vrata u roku od 4 s, ciklus će se nastaviti od mjesta na kojem je prekinut.

SAVJETI

SAVJETI

Prije punjenja košara uklonite sve ostatke hrane s posuđa i ispraznite čaše. **Ne morate ih ispirati tekućom vodom.**

Posuđe složite tako da čvrsto stoji i ne prevrće se; spremnike složite tako da su otvori okrenuti prema dolje, a konkavni/konveksni dijelovi ukošeni kako bi se omogućilo da voda dođe do svih površina i slobodno protiče.

Upozorenje: poklopci, ručke, pladnjevi i tave ne sprječavaju okretanje nosača mlaznica.

Sitne predmete stavite u košare za pribor za jelo.

Vrlo prljavo suđe i tave treba staviti u donju košaru jer je u tom dijelu jači mlaz vode i omogućuje se bolja učinkovitost pranja.

Nakon punjenja uređaja provjerite mogu li se nosači mlaznica slobodno okretati.

NEPRIKLADNO SUĐE

- Drveno suđe i pribor za jelo.
- Osjetljive ukrašene čaše, umjetnički predmeti i antičko suđe. Njihovi ukrasi nisu otporni.
- Dijelovi od sintetičkog materija koji ne podnose visoke temperature.
- Suđe od bakra i lima.
- Suđe zaprljano pepelom, voskom, mazivima ili tintom.

Boje ukrasa na čašama i aluminijski/srebrni dijelovi mogu se promijeniti i izbljediti tijekom postupka pranja. Neke vrste čaša (npr. kristali predmeti) mogu se postati neprozirni nakon određenog broja ciklusa pranja.

OŠTEĆENJE ČAŠA I SUĐA

- Upotrebljavajte samo čaše i porculansko suđe za koje proizvođač jamči da se može prati u perilici suđa.
- Upotrebljavajte deterdžent za osjetljivo posuđe prikladan za posuđe.
- Čaše i pribor za jelo izvadite iz perilice suđa čim ciklus pranja završi.

SAVJETI ZA UŠTEDU ENERGIJE

- Kada se perilica posuđa u domaćinstvu upotrebljava u skladu s uputama proizvođača **pranjem posuđa u perilici posuđa obično se troši MANJE ENERGIJE i vode nego prilikom ručnog pranja.**
- Preporučujemo da povećate učinkovitost perilice posuđa tako da **ciklus pranja pokrećete tek kada je perilica posuđa do kraja napunjena.** Kada perilicu posuđa punite do kapaciteta koji je naveo proizvođač, pridonosite uštedi energije i vode. Podatke o pravilnom punjenju posuđa možete pronaći u poglavlju PUNJENJE KOŠARA. U slučaju da je perilica djelimično napunjena, preporučuje se da upotrebljavate posebne opcije pranja, ako su dostupne (Half load/ Zone Wash/ Multizone) i punite samo odabrane košare. Nepravilno punjenje ili pretjerano punjenje može povećati upotrebu resursa (kao što su voda, energija i vrijeme te povećati razinu buke) i smanjiti učinkovitost pranja i sušenja.
- Ručno ispiranje posuđa dovodi do veće potrošnje vode i energije te se ne preporučuje.

HIGIJENSKI PROGRAM

Kako bi se izbjegla pojava neugodnih mirisa i taloga koji se može nakupiti u perilici suđa, **program s visokom temperaturom pokrećete najmanje jednom mjesečno.** Upotrijebite čajnu žlicu deterdženta i pokrenite perilicu bez punjenja kako biste očistili uređaj.

OTPORNOST NA ZAMRZAVANJE

Ako se uređaj postavi u okruženje izloženo mrazu, iz njega se **mora potpuno ispustiti voda.** Zatvorite ventil, uklonite dovodno i odvodno crijevo te ispustite svu vodu. **Provjerite da je omekšivač vode pun otopljenе soli za regeneraciju u spremniku soli,** a da bi se uređaj zaštitio od temperaturno do -20 °C.

Ako je uređaj bio uskladišten u uvjetima gdje ima leda, mora ostati na temperaturi okoline od min. 5°C **najmanje 24 sata** prije prvog pokretanja.

ČIŠĆENJE I ODRŽAVANJE

ČIŠĆENJE SKLOPA FILTRA

Redovito čistite sklop filtra tako da se filtri ne začepe i da otpadna voda ispravno istječe.

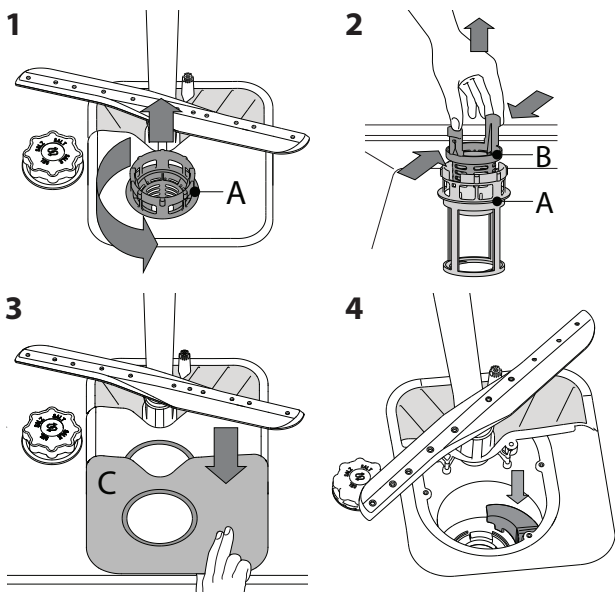
Upotreba perilice posuđe sa začepljenim filtrima ili stranim predmetima u sustavu filtriranja ili prskalicama može prouzročiti neispravnosti koje dovode do gubitka učinkovitosti, veće buke u radu ili veće potrošnje energenata.

Sklop filtra sastoji se od tri filtra koji uklanjaju ostatke hrane iz vode za pranje i zatim ponovno pokreću kruženje vode.

Perilica suđa ne smije se upotrebljavati bez filtara ili s otpuštenim filtrom.

Najmanje jednom mjesečno ili nakon svakih 30 ciklusa pranja provjerite sklop filtra i po potrebi ga temeljito očistite tekućom vodom upotrebljavajući četku koja nije od metala i prema uputama u nastavku:

1. Cilindrični filtar **A** okrenite u smjeru suprotnom od smjera kazaljke na satu i izvucite ga (sl. 1).
2. Skinite filtar šalicu **B** tako da lagano pritisnete bočna krilca (sl. 2).
3. Klizno izvadite pločasti filtar od nehrđajućeg čelika **C** (sl. 3).
4. Ako pronađete strane predmete (npr. razbijeno staklo, porculan, kosti, sjemenke voća itd.), **pažljivo ih uklonite**.
5. Pregledajte otvor i uklonite sve ostatke hrane. **NIKADA NE SKIDAJTE** štitnik pumpe ciklusa pranja (crni detalj) (sl. 4).



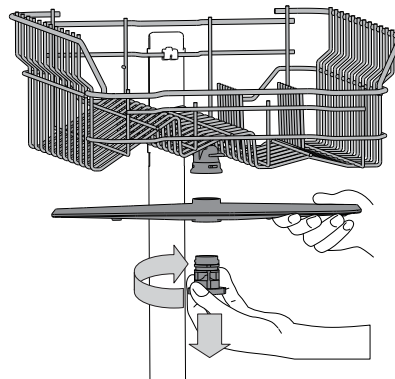
Nakon čišćenje filtara vratite sklop filtra i pravilno ga učvrstite na mjesto; to je važno za održavanje učinkovitog rada perilice suđa.

ČIŠĆENJE ULAZNOG CRIJEVA ZA VODU

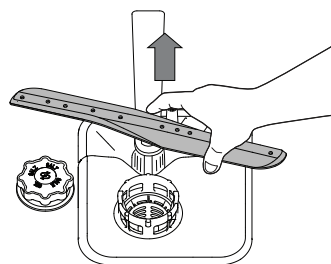
Ako su crijeva za vodu nova ili se dulje vrijeme nisu upotrebljavala pustite da kroz njih prođe voda kako biste bili sigurni da nema nečistoća prije obavljanja potrebnih priključivanja. Ako se ne pridržavate te mjera opreza, može se dogoditi da je blokiran ulaz vode u da se perilica suđa ošteti.

ČIŠĆENJE NOSAČA MLAZNICA

Povremeno, ostaci hrane mogu se skoriti na nosačima mlaznica i blokirati otvore za raspršivanje vode. Zbog toga se preporučuje da povremeno provjerite nosače i očistite ih malom četkicom koja nije metalna.



Gornji krak mlaznice skinite tako da okrenete plastični prsten za završavanje u smjeru kazaljke na satu. Gornji nosač mlaznice treba se zamijeniti tako da je strana s većim brojem otvora okrenuta prema gore.



Donji krak mlaznice može se skinuti tako da se povuče prema gore.

SUSTAV OMEKŠAVANJA VODE

Omekšivač vode automatski smanjuje tvrdoću vode čime se posljedično smanjuje nakupljanje kamenca na grijaču i pridonosi većoj učinkovitosti pranja.

Ovaj se sustav sam obnavlja pomoću soli pa zato spremnik soli treba napuniti kada je prazan.

Učestalost obnavljanja ovisi o postavci razine tvrdoće vode – obnavljanje se odvija jednom na svakih **6** Eko ciklusa s razinom tvrdoće vode postavljenom na **3**.

Postupak obnavljanja započinje u fazi završnog ispiranja i završava u fazi sušenja, prije završetka ciklusa.

- Potrošnja jednog ciklusa obnavljanja: ~3,5 l vode;
- Ciklus traje 5 minuta dulje;
- Troši manje od 0,005 kWh struje.

RJEŠAVANJE PROBLEMA

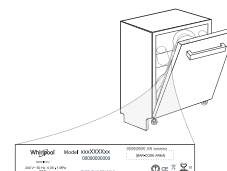
Ako vaša perilica posuđa ne radi ispravno, provjerite može li se problem riješiti prateći popis u nastavku. U slučaju pojave drugih grešaka ili problema obratite se ovlaštenom postprodajnom servisu čije podatke za kontakt možete pronaći u knjižici jamstva. Rezervni dijelovi bit će dostupni u razdoblju narednih 7 ili 10 godina, ovisno o posebnim zakonskim propisima.

PROBLEMI	MOGUĆI UZROCI	RJEŠENJA
Perilica suđa se ne pokreće ili ne odgovara na komande.	Uređaj nije ispravno priključen.	Uključite utikač u električnu utičnicu.
	Nestanak struje.	Perilica posuđa se iz sigurnosnih razloga neće automatski pokrenuti nakon povratka struje. Otvorite vrata perilice posuđa, pritisnite gumb START/Pauza i u roku od 4 sekunde zatvorite vrata.
	Vrata perilice suša nisu zatvorena. Pin ActiveDry nije uvučen.	Vrata čvrsto zatvorite tako da začujete "klik".
	Ciklus se prekida ako su vrata otvorena > 4 sekunde.	Pritisnite START/Pauza i zatvorite vrata uređaja u roku od 4 sekunde.
Perilica suđa ne ispušta vodu.	Ne odgovara na komande.	Uređaj isključite pritiskom na gumb uključivanje/isključivanje pa ga nakon otprilike jedne minute ponovno uključite i ponovno pokrenite program. Ako se problem i dalje javlja, uređaj isključite na 1 minutu, zatim ga ponovno uključite
	Ciklus pranja još nije završio.	Pričekajte da ciklus pranja završi.
	Ovodno crijevo je savijeno.	Provjerite da crijevo za pražnjenje nije savijeno (<i>pogledajte UPUTE ZA POSTAVLJANJE</i>).
	Crijevo za pražnjenje izljeva je blokirano. Filtar je začepljen ostacima hrane	Očistite crijevo za pražnjenje izljeva. Čišćenje filtra (<i>pogledajte ČIŠĆENJE SKLOPA FILTRA</i>).
Perilica suđa stvara preveliku buku.	Suđe se međusobno udara.	Pravilno složite suđe (<i>pogledajte PUNJENJE KOŠARA</i>).
	Došlo je do stvaranja prevelike količine pjene.	Deterdžent nije pravilno izmjeren ili nije prikladan za upotrebu u perilici suđa (<i>pogledajte PUNJENJE DOZATORA ZA DETERDŽENT</i>). Ponovno pokrenite trenutni ciklus isključivanje perilice posuđa i zatim njenim ponovnim uključivanjem, odaberite novi program, pritisnite START/Pauza i zatvorite vrata u roku 4 sekunde. Nemojte dodavati deterdžent.
Suđe nije čisto.	Suđe nije ispravno složeno.	Pravilno složite suđe (<i>pogledajte PUNJENJE KOŠARA</i>).
	Nosači mlaznica ne mogu se slobodno okretati jer ih ometa suđe.	Pravilno složite suđe (<i>pogledajte PUNJENJE KOŠARA</i>).
	Ciklus pranja je prenježan.	Odaberite odgovarajući ciklus pranja (<i>pogledajte TABLICU PROGRAMA</i>).
	Došlo je do stvaranja prevelike količine pjene.	Deterdžent nije pravilno izmjeren ili nije prikladan za upotrebu u perilici suđa (<i>pogledajte PUNJENJE DOZATORA ZA DETERDŽENT</i>).
	Čep na spremniku sredstva za ispiranje nije pravilno zatvoren.	Provjerite je li čep spremnika za ispiranje zatvoren.
	Filtar je prljav ili začepljen. Nema soli.	Očistite sklop filtra (<i>pogledajte ČIŠĆENJE I ODRŽAVANJE</i>). Napunite spremnik soli (<i>pogledajte PUNJENJE I SPREMNİK SOLI</i>).
Perilica posuđa ne puni se vodom. Svi LED-i brzo trepere	Nema vode u dovodu vode ili je slavina zatvorena.	Provjerite ima li vode u dovodu vode ili radi li slavina.
	Dovodno crijevo je savijeno.	Provjerite da dovodno crijevo nije savijeno (<i>pogledajte poglavlje INSTALACIJA</i>), ponovno programirajte perilicu posuđa i ponovno pokrenite.
	Sito na dovodnom crijevu vode je začepljeno; treba ga očistiti.	Nakon provjere i čišćenja isključite i uključite perilicu posuđa i pokrenite novi program.
Perilica posuđa prerano završava ciklus.	Ovodno je crijevo prenisko postavljeno ili se izljeva u kanalizaciju.	Provjerite je li kraj odvodnog crijeva na ispravnoj visini (<i>pogledajte poglavlje INSTALACIJA</i>). Provjerite izljev u kanalizaciju, ugradite, prema potrebi, ventil za ulaz zraka.
	Zrak u dovodu vode.	Provjerite da na dovodu vode nema propuštanja ili drugih problema koji omogućuju ulaz zraka.
Curenje deterdženta.	Ovisi o vrsti tekućeg deterdženta koji se upotrebljava i može biti jače izraženo u slučaju uključivanja opcije odgode.	Malo curenje neće izazvati neispravnosti uređaja i može se izbjeći promjenom vrste tekućeg deterdženta ili upotrebom tableta.

Pravila, standardne dokumente, naručivanje rezervnih dijelova i dodatne informacije o proizvodu možete pronaći tako:

- Upotreba QR koda na proizvodu.
- Posjetite naše web.mjesto docs.hotpoint.eu i parts-selfservice.europeanappliances.com
- Možete i **kontaktirati naš postprodajni servis** (broj telefona potražite u knjižici jamstva). Kada se obraćate našem postprodajnom servisu navedite kodove navedene na identifikacijskoj pločici proizvoda.

Informacije o modelu mogu se dobiti pomoću QR koda koji se nalazi na oznaci energetske učinkovitosti. Na oznaci se nalazi i identifikacijska oznaka modela koji se može upotrijebiti za pregledavanje portala registra na <https://eprel.ec.europa.eu>.



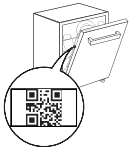
GUIDA RAPIDA GUASTI



**GRAZIE PER AVER ACQUISTATO UN PRODOTTO
HOTPOINT ARISTON.**

Per ricevere assistenza in modo più completo, registrare il proprio apparecchio sul sito: www.hotpoint.eu/register

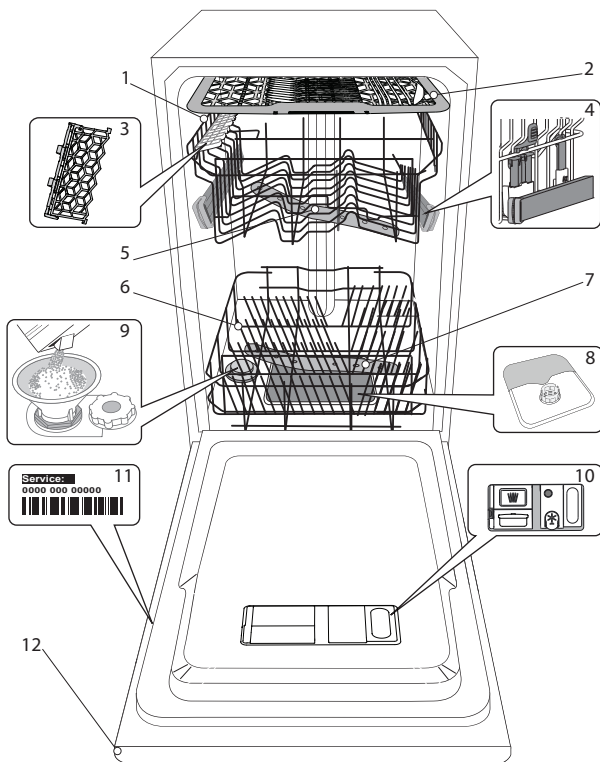
**SCANSIONARE IL CODICE
QR SULL'APPARECCHIO
PER VISUALIZZARE
INFORMAZIONI PIÙ
DETTAGLIATE**



Prima di utilizzare l'apparecchio, legga attentamente le Istruzioni di sicurezza e di installazione.
Dopo l'installazione, ricordarsi di rimuovere tutte le parti di protezione per il trasporto dalla lavastoviglie.

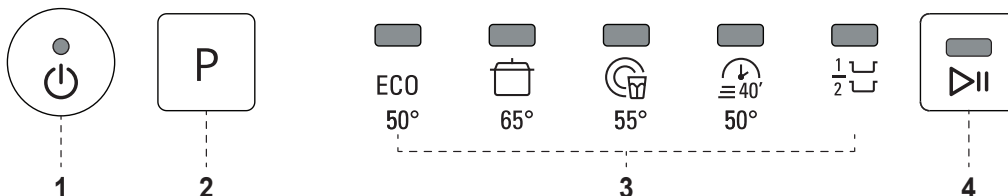
DESCRIZIONE PRODOTTO

APPARECCHIO



1. Cestello superiore
2. Cestello portaposate
3. Sponde ribaltabili
4. Regolatore altezza cestello superiore
5. Braccio aspersore superiore
6. Cestello inferiore
7. Braccio aspersore inferiore
8. Gruppo filtro
9. Distributore del sale
10. Distributori per detersivo e brillantante
11. Targhetta matricola
12. Pannello comandi

PANNELLO COMANDI



1. Tasto Accensione-Spegnimento/Ripristino e relativa spia
2. Tasto di selezione programmi
3. Spie indicatore di programma
4. Tasto Avvio/Pausa e relativa spia

PRIMO UTILIZZO

SALE, BRILLANTANTE E DETERSIVO

SUGGERIMENTO PER IL PRIMO UTILIZZO

Dopo aver completato l'installazione, togliere i fermi dai cestelli e gli elementi elastici di ritegno dal cestello superiore.

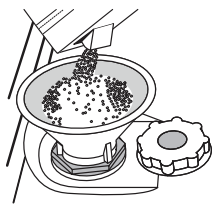
RIFORMIMENTO DEL SERBATOIO DEL SALE

L'uso di sale previene la formazione di CALCARE sulla superficie dei piatti e sui componenti della macchina.

- È indispensabile che **IL SERBATOIO DEL SALE SIA SEMPRE RIFORMITO.**
- È essenziale quindi che il livello di durezza dell'acqua sia stato impostato.

Il serbatoio del sale si trova nella parte inferiore della lavastoviglie (vedere la DESCRIZIONE DEL PRODOTTO) e va rabboccato quando il galleggiante verde sul tappo del serbatoio non è più visibile.

1. Togliere il cestello inferiore e svitare il tappo del serbatoio (ruotare in senso antiorario).



2. Solo la prima volta: riempire d'acqua il serbatoio del sale.

3. Sistemare opportunamente l'imbuto (vedere figura) e rifornire il serbatoio del sale fino all'orlo (circa 1 kg); Non è inconsueto che l'acqua trabocchi leggermente.

4. Togliere l'imbuto ed eliminare qualsiasi residuo di sale dall'areacirostante l'apertura.

Accertarsi che il tappo sia adeguatamente serrato per evitare l'ingresso di detersivo all'interno della

vaschetta durante il programma di lavaggio (ciò potrebbe causare il danneggiamento del dispositivo addolcente senza possibilità di riparazione).

Ogni volta che è necessario aggiungere sale, è obbligatorio eseguire la procedura prima dell'inizio del ciclo di lavaggio per evitare rischi di corrosione.

IMPOSTAZIONE DELLA DUREZZA DELL'ACQUA

Per consentire che il dispositivo addolcente dell'acqua agisca al meglio, è essenziale che l'impostazione del livello di durezza dell'acqua tenga conto della sua durezza effettiva nell'utenza domestica. È possibile ottenere il valore di durezza dell'acqua nell'utenza domestica rivolgendosi al proprio fornitore. Il valore predefinito per la durezza dell'acqua viene impostato in fabbrica.

- Azionare l'apparecchio agendo sul tasto **ACCENSIONE/SPEGNIMENTO.**
- Disattivare l'apparecchio agendo sullo stesso tasto **ACCENSIONE/SPEGNIMENTO.**
- Tenere premuto il tasto **P** per 5 secondi, fino a udire il segnale corrispondente.
- Azionare l'apparecchio agendo sul tasto **ACCENSIONE/SPEGNIMENTO.**
- La spia che indica il programma correntemente impostato lampeggia.
- Premere il tasto **P** per selezionare il livello di durezza dell'acqua richiesto (vedere TABELLA DEI LIVELLI DI DUREZZA DELL'ACQUA).

Tabella di durezza dell'acqua

Livello		°dH Gradi tedeschi	°fH Gradi francesi	°Clark Gradi inglesi	
1	ECO	Dolce	0 - 6	0 - 10	0 - 7
2		Moderatamente dolce	7 - 11	11 - 20	8 - 14
3		Medio	12 - 16	21 - 29	15 - 20
4		Dura	17 - 34	30 - 60	21 - 42
5		Molto dura	35 - 50	61 - 90	43 - 62

- Disattivare l'apparecchio agendo sullo stesso tasto **ACCENSIONE/SPEGNIMENTO.**

La procedura di impostazione è stata completata!

Non appena completata tale procedura, avviare uno dei programmi senza carico.

Utilizzare soltanto sale di tipo specifico per lavastoviglie.

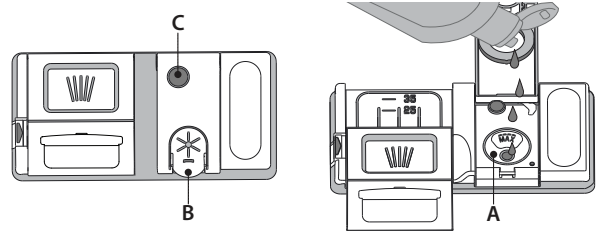
Dopo aver versato il sale all'interno della macchina, la spia riempimento SALE si spegne.

La mancanza di sale nel serbatoio potrebbe danneggiare l'addolcitore d'acqua e la resistenza per effetto dell'accumulo di calcare.

L'uso del sale è consigliato con qualsiasi tipo di detersivo per lavastoviglie.

RIEMPIMENTO DEL DISTRIBUTORE BRILLANTANTE

L'utilizzo di brillantante facilita il processo di ASCIUGATURA delle stoviglie. La vaschetta del brillantante **A** dovrebbe essere riempita quando l'indicatore ottico scuro posto sullo sportellino **C** diventa trasparente.



1. Aprire il distributore **B** esercitando opportuna pressione e quindi sollevando la linguetta posta sul coperchio.
2. Versare delicatamente il brillantante fino al segno che indica il livello di riferimento massimo (110 ml), ma evitandone la fuoriuscita. Nel caso in cui ciò si verifichi, asciugare immediatamente il liquido fuoriuscito mediante un panno asciutto.
3. Abbassare il coperchio fino ad avvertire lo scatto che ne segnala la chiusura.

Non versare MAI il brillantante direttamente all'interno della vaschetta.

REGOLAZIONE DEL DOSAGGIO DI BRILLANTANTE

Se non si è completamente soddisfatti del processo di asciugatura, è possibile regolare la quantità di brillantante da utilizzare.

- Azionare la lavastoviglie agendo sul tasto **ACCENSIONE/SPEGNIMENTO.**
- Disattivare la lavastoviglie utilizzando lo stesso tasto **ACCENSIONE/SPEGNIMENTO.**

- Premere tre volte il tasto **P**: si avverte il segnale corrispondente.
- Azionare la lavastoviglie mediante il tasto **ACCENSIONE/SPEGNIMENTO.**
- La spia che indica il programma correntemente impostato lampeggia.
- Premere sul tasto **P** per impostare il livello di brillantante corrispondente alla quantità richiesta.
- Disattivare utilizzando il tasto **ACCENSIONE/SPEGNIMENTO**

La procedura di impostazione è stata completata!

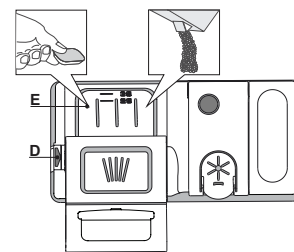
Nel caso in cui il livello di brillantante sia impostato su ZERO (ECO), il brillantante non viene erogato.

A seconda del modello di lavastoviglie è possibile impostare al massimo 5 livelli di dosaggio. Le impostazioni di fabbrica dipendono dal modello; seguire le istruzioni precedenti in base alle caratteristiche del proprio apparecchio.

- In presenza di strisce con sfumature blu sulla superficie dei piatti, impostare un livello di dosaggio basso (2-3).
- In presenza di gocce d'acqua o di calcare sulla superficie dei piatti impostare invece dosaggi alti (4-5).

RIEMPIMENTO DEL DISTRIBUTORE DETERSIVO

Per aprire il distributore detersivo utilizzare il dispositivo di apertura D. Versare il detersivo esclusivamente nel distributore E asciutto. Mettere la dose di detersivo per il prelavaggio direttamente all'interno del distributore.




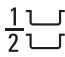


1. Per il dosaggio corretto del detersivo fare riferimento ai dati sopra riportati. La vaschetta **E** contiene indicatori di livello per facilitare il dosaggio del detersivo.
2. Eliminare eventuali residui di detersivo dai bordi del distributore e chiudere il coperchio fino ad avvertire lo scatto caratteristico.
3. Chiudere il coperchio del distributore sollevandolo fino a portare il dispositivo di chiusura in sede.

Il distributore del detersivo si apre automaticamente quando previsto dal programma in uso.

L'uso di un detersivo non specifico per lavastoviglie potrebbe causare malfunzionamenti o danni all'apparecchio.

TABELLA DEI PROGRAMMI

Programma			Fase di asciugatura	ActiveDry [®]	Durata programma di lavaggio (h:min)**)	Consumo d'acqua (litri/ciclo)	Consumo energetico (kWh/ciclo)
1	Eco	ECO 50°	✓	✓	3:35	8.7	0.72
2	Intensivo	 65°	✓	✓	2:45	17.5	1.60
3	Misti	 55°	✓	✓	2:30	15.0	1.30
4	Rapido 40'	 50°	-	✓	0:40	9.0	0.70
5	Mezzo Carico	 55°	✓	✓	1:20	11.0	1.00

La misurazione dei dati per la creazione del programma ECO avviene in condizioni di laboratorio secondo quanto prescritto dalle norme europee EN 60436:2020. Nota per i laboratori di Prove: per informazioni sulle condizioni della prova comparativa EN, farne richiesta all'indirizzo: dw_test_support@europeanappliances.com. Questi programmi non richiedono un pre-trattamento delle stoviglie.

*) Lo sportello si apre prima della fine del programma. Questo migliora l'efficienza dell'asciugatura. Attendere il completamento del ciclo e il segnale acustico prima di svuotare la lavastoviglie.

**) Ad eccezione del programma Eco, i valori riportati per gli altri programmi sono puramente indicativi.

La durata effettiva può dipendere da molti fattori, quali la temperatura e la pressione dell'acqua di alimentazione, la temperatura ambiente, la dose di detersivo utilizzata, la quantità e il tipo di carico e il suo bilanciamento, la selezione di determinate opzioni e la taratura dei sensori. La taratura dei sensori può prolungare la durata dei programmi anche di 20 minuti.

DESCRIZIONE DEI PROGRAMMI

Istruzioni per selezionare il ciclo di lavaggio.

1 ECO

Il programma Eco è indicato per le stoviglie mediamente sporche; è il programma più efficiente in termini di consumo combinato di acqua ed energia per questo tipo di stoviglie e viene usato per valutare la conformità dell'apparecchio alla legislazione UE in materia di progettazione ecocompatibile.

2 INTENSIVO

Stoviglie e pentole molto sporche (non usare per pezzi delicati).

3 MISTI

Carichi misti. Per piatti con sporco normale e residui secchi di cibo.

4 RAPIDO 40'

Programma indicato per un mezzo carico di stoviglie poco sporche e prive di residui secchi. Non è prevista una fase di asciugatura.

5 MEZZO CARICO

Ideale per il lavaggio a mezzo carico di stoviglie poco o mediamente sporche.

Note:

Sil ciclo Rapido 40' è indicato per stoviglie poco sporche.

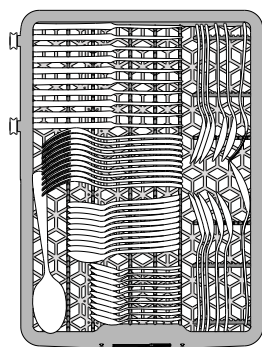
OPZIONI E FUNZIONI

ActiveDry è una funzione di asciugatura a convezione che apre automaticamente la porta durante/dopo la fase di asciugatura per garantire stoviglie perfettamente asciutte dopo ogni lavaggio. La porta può essere aperta quando la temperatura è tale da non poter danneggiare i mobili della cucina. Come ulteriore protezione dal vapore, la lavastoviglie viene fornita con una speciale lamina di protezione aggiuntiva.

Per istruzioni sul montaggio della lamina protettiva, vedere le (ISTRUZIONI PER L'INSTALLAZIONE).

CARICAMENTO DEI CESTELLI

CESTELLO PORTAPOSATE



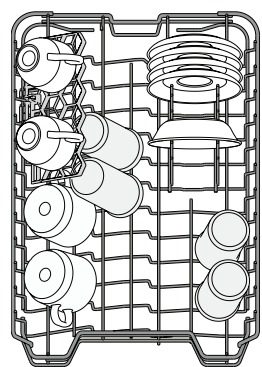
Il terzo cestello è stato progettato per alloggiare le posate durante il lavaggio.

Disporre le posate come illustrato nella figura.

La possibilità di sistemare le posate a parte ne rende più semplice la raccolta dopo il lavaggio e migliora le prestazioni sia nella fase di lavaggio che in quella di asciugatura.

Coltelli e altri utensili con bordi affilati devono essere sistemati con le lame rivolte verso il basso.

CESTELLO SUPERIORE



Riporvi i piatti poco resistenti e le stoviglie delicate: vetri, tazze, piattini, insalatiere dai bordi bassi.

(esempio di carico del cestello superiore)

REGOLAZIONE IN ALTEZZA DEL CESTELLO SUPERIORE

È possibile regolare del cestello superiore nel senso dell'altezza:

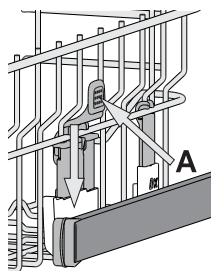
la posizione rialzata consente di sfruttare al massimo il cestello inferiore per riporvi le stoviglie di dimensioni ingombranti, mentre la posizione ribassata consente di utilizzare le sponde ribaltabili creando lo spazio che esse richiedono e di evitare urti con gli oggetti caricati nel cestello inferiore.

Il cestello superiore è munito di **regolatore in altezza** (vedere figura) che non richiede pressione sulle leve; sollevarlo tenendolo per i lati, non appena si trovi in posizione rialzata.

Per ripristinare la posizione ribassata, agire sulle leve **A** poste ai lati del cestello e abbassare il cestello.

Si raccomanda vivamente di non procedere alla regolazione in altezza di cestelli già caricati.

Non rialzare o ribassare MAI il cestello agendo su un lato soltanto.



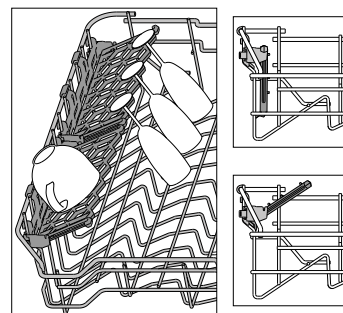
SPONDE RIBALTABILI CON POSIZIONE REGOLABILE

Le sponde ribaltabili laterali possono essere estese o ripiegate per ottimizzare la disposizione delle stoviglie nel cestello.

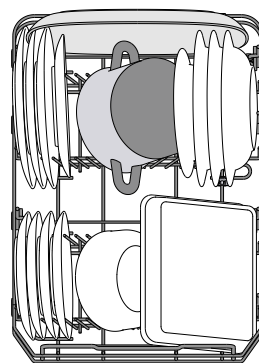
Si possono disporre i bicchieri da vino nelle sponde ribaltabili in modo assolutamente sicuro, inserendone lo stelo negli appositi spazi. In caso di posizione elevata del ripiano superiore, le alette non possono rimanere in posizione verticale.

In base al modello:

- per estendere le sponde occorre farle scorrere verso l'alto e ruotarle oppure sganciarle dai fermi e abbassarle.
- per ripiegare le sponde occorre ruotarle e farle scorrere verso il basso oppure sollevarle e agganciarle ai fermi.



CESTELLO INFERIORE



(esempio di carico nel cestello inferiore)

Per pentole, coperchi, piatti, insalatiere, stoviglie, ecc. In teoria conviene disporre piatti e coperchi di grandi dimensioni ai lati, per evitare interferenze con l'elemento aspersione.

USO QUOTIDIANO

1. VERIFICA DEL COLLEGAMENTO ALLA RETE IDRICA

Verificare che la lavastoviglie sia collegata alla rete idrica e che il rubinetto dell'acqua sia aperto.

2. AZIONAMENTO DELLA LAVASTOVIGLIE

Aprire la porta e premere il tasto **ACCENSIONE/SPEGNIMENTO**.

3. CARICAMENTO DEI CESTELLI

(vedere **CARICAMENTO DEI CESTELLI**).

4. RIEMPIMENTO DEL DISTRIBUTORE DETERATIVO

5. SELEZIONARE IL PROGRAMMA E ADATTARE IL CICLO SECONDO NECESSITÀ

Selezionare il programma più adatto in base al tipo di stoviglie e alla quantità di sporco in essi presente (vedere la **DESCRIZIONE DEI PROGRAMMI**) premendo sul tasto **P**.

Selezionare le opzioni richieste (vedere **OPZIONI E FUNZIONI**).

6. AVVIO

Avviare il ciclo di lavaggio premendo il tasto **AVVIO/Pausa** (il LED si accenderà) e chiudere la porta entro 4 secondi. All'avvio del programma viene emesso un segnale acustico. Se la porta non viene chiusa entro 4 sec. viene emesso il suono di allarme. In questo caso, aprire la porta, premere il tasto **AVVIO/Pausa** e richiudere la porta entro 4 sec.

7. FINE DEL CICLO DI LAVAGGIO

La conclusione del ciclo di lavaggio è indicata dalla relativa segnalazione acustica, mentre mediante il lampeggio dell'indicatore corrispondente al programma selezionato. Aprire la porta e spegnere l'apparecchio premendo il tasto **ACCENSIONE/SPEGNIMENTO**. Per evitare bruciature, prima di togliere le stoviglie attendere pochi minuti. Scaricare i cestelli, iniziando da quello inferiore.

La macchina si disattiva automaticamente nel corso di determinati periodi di inattività prolungata, al fine di ridurre al minimo il consumo di elettricità. Se le stoviglie sono soltanto leggermente sporche oppure sono state risciacquate prima di essere poste nella lavastoviglie, ridurre in proporzione la dose di detersivo da utilizzare.

MODIFICA DI UN PROGRAMMA IN CORSO

Nel caso in cui sia stato selezionato il programma sbagliato, è possibile cambiarlo a condizione che sia appena iniziato: aprire lo sportello e premere a lungo il tasto **ACCENSIONE/SPEGNIMENTO**; l'apparecchio si spegnerà.

Azionare nuovamente la macchina agendo sul tasto **ACCENSIONE/SPEGNIMENTO** e selezionare il nuovo ciclo di lavaggio con qualsiasi opzione richiesta; Avviare il ciclo di lavaggio premendo il tasto **AVVIO/Pausa** (il LED si accende) e chiudere la porta entro 4 secondi.

AGGIUNTA DI ALTRE STOVIGLIE

Senza spegnere l'apparecchio, aprire la porta (il LED **AVVIO/Pausa** inizia a lampeggiare) (**fare attenzione al vapore MOLTO CALDO!**) e introdurre le stoviglie. Premere il tasto **AVVIO/Pausa** e chiudere lo sportello entro 4 secondi; il ciclo riprenderà dal punto in cui era stato interrotto.

INTERRUZIONI ACCIDENTALI

In caso di apertura della porta o di interruzione dell'alimentazione elettrica durante un ciclo di lavaggio, il ciclo si interrompe. Premere il tasto **AVVIO/Pausa** e chiudere lo sportello entro 4 secondi; il ciclo riprenderà dal punto in cui era stato interrotto.

AVVISI E CONSIGLI

CONSIGLI

Prima di caricare i cestelli, eliminare tutti i residui di cibo dalle stoviglie e vuotare i bicchieri. **Non occorre il risciacquo sotto acqua corrente prima del caricamento.**

Sistemare le stoviglie in modo che rimangano in sede e non si possano ribaltare; e sistemare le vaschette con le aperture rivolte verso il basso e le parti concave/complesse disposte obliquamente, per consentire all'acqua di lavaggio di raggiungere ogni superficie e scorrervi liberamente.

Avvertenza: coperchi, maniglie, vassoi e padelle non devono ostacolare la rotazione degli aspersori.

Riporre tutti gli oggetti di piccole dimensioni nel cestello portaposate.

Quando molto sporche, riporre piatti e pentole nel cestello inferiore poiché nel relativo settore gli aspersori svolgono un'azione più intensa e consentono migliori prestazioni nel lavaggio.

Una volta completata la procedura di carico, accertarsi che gli aspersori possano ruotare liberamente.

STOVIGLIE DI TIPO NON ADATTO

- Stoviglie e posate in legno.
- Bicchieri decorati, pezzi di artigianato e piatti antichi. le decorazioni non sono sufficientemente resistenti.
- Componenti in materiali sintetici che non resistono alle temperature elevate.
- Stoviglie in rame e stagno.
- Stoviglie sporche di cenere, cera, grasso lubrificante o inchiostro.

Durante la fase di lavaggio i colori delle decorazioni di bicchieri e pezzi in alluminio/argento possono sbiadire. Alcuni tipi di bicchieri (es. i bicchieri in cristallo) possono divenire opachi anche soltanto dopo un certo numero di lavaggi.

CONSIGLI PER IL RISPARMIO ENERGETICO

- Se la lavastoviglie viene usata secondo le istruzioni del produttore, **il lavaggio delle stoviglie a macchina comporta normalmente un MINORE CONSUMO DI ENERGIA e acqua rispetto al lavaggio a mano.**
- Per ottimizzare l'efficienza della lavastoviglie si raccomanda di **avviare il ciclo di lavaggio con l'apparecchio a pieno carico.**

Caricando la lavastoviglie fino alla capacità indicata dal produttore si contribuirà a ridurre i consumi d'acqua e di energia. Per informazioni sul caricamento corretto delle stoviglie, leggere la sezione **CARICAMENTO DEI CESTELLI**. In caso di carico parziale, si raccomanda di usare le apposite opzioni di lavaggio, se disponibili (Mezzo carico/ Zone Wash/ Multizona), caricando solo i cestelli selezionati. Un caricamento non corretto o eccessivo della lavastoviglie può aumentare il consumo di risorse (acqua, energia e tempo, oltre a una maggiore rumorosità) e ridurre le prestazioni di lavaggio e asciugatura.

- Il pre-risciacquo delle stoviglie comporta un maggiore consumo di acqua ed energia e non è consigliato.

DANNEGGIAMENTO DI BICCHIERI E STOVIGLIE

- Utilizzare soltanto bicchieri e porcellane garantite dal produttore per il lavaggio in lavastoviglie.
- Utilizzare un detersivo delicato e adatto al tipo di stoviglie in questione
- Togliere i bicchieri e gli altri elementi dalla lavastoviglie non appena sia terminato il ciclo di lavaggio.

IGIENIZZANTE

Per evitare la formazione di cattivi odori e sedimenti vari all'interno della lavastoviglie **avviare un programma che preveda temperature elevate almeno una volta al mese.** Per eseguire la pulizia dell'apparecchio utilizzare un cucchiaino di detersivo e avviare il ciclo in assenza di carico.

RESISTENZA AL GELO

Se l'apparecchio è collocato in un locale esposto al pericolo di gelo, **occorre svuotarlo completamente.** Chiudere il rubinetto dell'acqua e staccare i tubi di alimentazione e di scarico, quindi far defluire l'acqua.

Assicurarsi che l'addolcitore d'acqua sia pieno di sale di rigenerazione disciolto nel relativo contenitore, per proteggere l'apparecchio da temperature fino a -20°C.

Se l'apparecchio è stato immagazzinato in condizioni di gelo, deve rimanere a una temperatura ambiente di min. 5°C **per almeno 24 ore** prima del primo funzionamento.

MANUTENZIONE E PULIZIA

PULIZIA DEL GRUPPO FILTRO

Pulire regolarmente il gruppo filtro in modo che nei relativi elementi non si formino ostruzioni e che l'acqua vi scorra regolarmente.

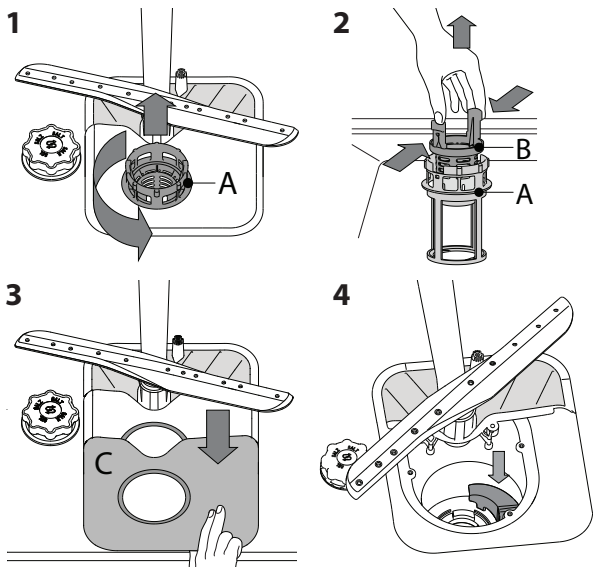
L'uso della lavastoviglie con i filtri ostruiti, o con oggetti estranei nel sistema filtrante o nei bracci irroratori, può causare malfunzionamenti e determinare una perdita di prestazioni, un aumento della rumorosità o un maggiore consumo di risorse.

Il gruppo filtro è composto da tre elementi filtranti che eliminano la presenza di residui di cibo dall'acqua di lavaggio, rimettendola in circolo ai fini del programma; per ottenere le migliori prestazioni durante il lavaggio è necessario che tali elementi siano sempre puliti.

Non utilizzare mai la lavastoviglie priva dei filtri o con i filtri allentati.

Almeno una volta al mese o ogni 30 cicli di lavaggio, verificare lo stato del gruppo filtro e se necessario pulirlo completamente sotto getto di acqua corrente, servendosi di spazzola metallica e seguendo le istruzioni sotto riportate:

1. Ruotare il filtro cilindrico **A** in senso antiorario, quindi estrarlo (Fig. 1).
2. Smontare il filtro a tazza **B** esercitando una leggera pressione sulle sponde laterali (Fig. 2).
3. Far scorrere il filtro a piastra in acciaio inossidabile **C**, fino ad estrarlo (Fig. 3).
4. Se si trovano oggetti estranei (frammenti di vetro, porcellana, ossa, semi di frutta, ecc.), rimuoverli con attenzione.
5. Esaminare il sifone ed eliminare la presenza di qualsiasi residuo di cibo. **NON TOGLIERE MAI** l'elemento di protezione della pompa di lavaggio (dettaglio di colore nero) (Fig. 4).



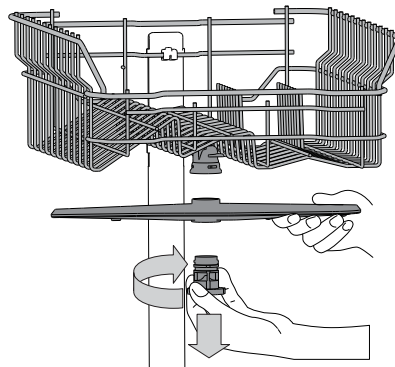
Dopo aver pulito i filtri, rimontare il gruppo e fissarlo correttamente in sede ciò è fondamentale per garantire l'efficienza della lavastoviglie.

PULIZIA DEL TUBO DI CARICO ACQUA

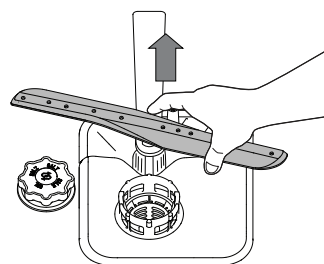
Se i tubi dell'acqua sono nuovi o sono rimasti inutilizzati per un periodo prolungato, prima di eseguire i raccordi necessari far scorrere l'acqua per controllare che sia pulita e priva di impurità. In assenza di tale precauzione, il tubo di carico acqua può risultare ostruito con conseguente danneggiamento della lavastoviglie.

PULIZIA DEI BRACCI ASPERSORI

I residui di cibo possono occasionalmente formare incrostazioni sui bracci aspersori e bloccare i fori utilizzati per l'irrorazione dell'acqua. Si raccomanda pertanto di ispezionare di volta in volta i bracci e di pulirli mediante piccola spazzola metallica.



Rimuovere il braccio irroratore superiore, ruotare l'anello di bloccaggio in plastica in senso orario. Il rimontaggio del braccio aspersore deve avvenire in modo che il lato con il maggior numero di fori sia rivolto verso l'alto.



È possibile smontare l'elemento aspersore del cestello inferiore sollevandolo verso l'alto.

SISTEMA DI ADDOLCIMENTO DELL'ACQUA

L'addolcitore riduce automaticamente la durezza dell'acqua, impedendo la formazione di calcare sulla serpentina e contribuendo a migliorare l'efficienza di lavaggio.

Questo sistema si rigenera con il sale, che deve essere perciò rabboccato quando il serbatoio del sale è vuoto.

La frequenza di rigenerazione dipende dal livello di durezza impostato - con la durezza dell'acqua impostata al livello **3**, la rigenerazione avviene ogni **6** cicli Eco.

Il processo di rigenerazione inizia durante il risciacquo finale e termina nella fase di asciugatura, prima del termine del ciclo.

- Ogni rigenerazione comporta: un consumo di ~3,5 litri d'acqua;
- Un prolungamento di 5 minuti della normale durata del ciclo;
- Un consumo di energia minore di 0,005 kWh.

RISOLUZIONE DEI PROBLEMI

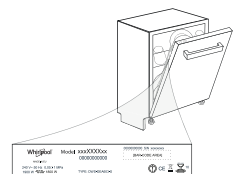
Se la lavastoviglie non funziona correttamente, provare a risolvere il problema consultando l'elenco sotto riportato. Per errori o problemi di altro tipo, contattare un Servizio Assistenza Tecnica autorizzato; i dati di contatto sono riportati nel libretto di garanzia. I ricambi saranno disponibili per un periodo fino a 7 o fino a 10 anni, secondo i requisiti specifici del regolamento.

PROBLEMI	POSSIBILI CAUSE	SOLUZIONE
La lavastoviglie non si avvia o i comandi non rispondono.	L'apparecchio non è stato collegato correttamente all'alimentazione elettrica.	Inserire la spina nella presa di corrente.
	Mancanza di corrente.	Per ragioni di sicurezza, la lavastoviglie non si riavvia automaticamente al ripristino della corrente elettrica. Aprire la porta, premere il tasto AVVIO/Pausa e richiudere la porta entro 4 secondi.
	Mancata chiusura della porta lavastoviglie. La spina ActiveDry non è inserita	Spingere con decisione la porta fino ad avvertire il caratteristico "clac".
	Il ciclo è stato interrotto con l'apertura dello sportello per più di 4 secondi.	Premere AVVIO/Pausa e chiudere lo sportello entro 4 secondi.
	Mancato funzionamento dei vari comandi.	Spegnere l'apparecchio premendo il tasto ACCENSIONE/SPEGNIMENTO , riaccenderlo dopo circa un minuto e riavviare il programma. Se il problema persiste, staccare l'apparecchio dalla rete elettrica per 1 minuto, quindi ricollegarlo.
Lo scarico della lavastoviglie non avviene.	Ciclo di lavaggio non ancora concluso.	Attendere la conclusione del ciclo di lavaggio.
	Tubo di scarico piegato.	Verificare che il tubo di scarico non sia piegato (vedere le ISTRUZIONI DI INSTALLAZIONE).
	Tubo di scarico del lavandino ostruito.	Pulire il tubo di scarico del lavandino.
	Ostruzione filtro a causa di residui di cibo	Pulire il filtro (vedere PULIZIA DEL GRUPPO FILTRO).
La rumorosità della lavastoviglie è eccessiva.	Urto dei piatti tra loro durante il lavaggio.	Sistemare le stoviglie nel modo corretto (vedere CARICAMENTO DEI CESTELLI).
	Produzione eccessiva di schiuma.	Il dosaggio del detersivo non è stato stabilito in modo corretto oppure il detersivo non è del tipo adatto alle lavastoviglie (vedere RIEMPIMENTO DELLA VASCHETTA DEL DETERSIVO). Per riavviare il ciclo in corso, spegnere e riaccendere la lavastoviglie, scegliere un nuovo programma, premere AVVIO/Pausa e chiudere lo sportello entro 4 secondi. Non aggiungere altro detersivo
I piatti non risultano puliti.	Errata disposizione delle stoviglie.	Sistemare le stoviglie nel modo corretto (vedere CARICAMENTO DEI CESTELLI).
	Impedimento nella rotazione dei bracci aspersori a causa dell'interferenza dei piatti.	Sistemare le stoviglie nel modo corretto (vedere CARICAMENTO DEI CESTELLI).
	Il ciclo di lavaggio è eccessivamente delicato.	Selezionare il programma adatto (vedere la TABELLA DEI PROGRAMMI).
	Produzione eccessiva di schiuma.	Il dosaggio del detersivo non è stato stabilito in modo corretto oppure il detersivo non è del tipo adatto alle lavastoviglie (vedere RIEMPIMENTO DEL DISTRIBUTORE DETERSIVO).
	Tappo sul vano brillantante non correttamente chiuso.	Accertarsi che il tappo sul distributore brillantante sia chiuso.
	Filtro sporco oppure ostruito.	Pulire il gruppo filtro (vedere CURA E MANUTENZIONE).
La lavastoviglie non esegue il carico dell'acqua. Tutti i LED lo sono lampeggianti rapidamente	Mancanza di sale.	Riempire il serbatoio del sale (vedere RIEMPIMENTO DEL SERBATOIO SALE).
	Assenza di alimentazione idrica o rubinetto chiuso.	Accertarsi che il tubo di alimentazione idrica contenga l'acqua necessaria o che il rubinetto sia aperto.
	Il tubo di carico è piegato	Accertarsi che il tubo di carico non sia piegato (vedere INSTALLAZIONE) riprogrammare la lavastoviglie e riavviarla.
La lavastoviglie termina il ciclo di lavaggio troppo presto.	L'elemento filtrante nel tubo di carico è ostruito; è necessario pulirlo.	Dopo aver eseguito le operazioni di ispezione e pulizia, spegnere e accendere la lavastoviglie e avviare un programma nuovo.
	Il tubo di scarico è posizionato troppo in basso o crea un effetto sifone nell'impianto di scarico domestico.	Controllare che l'estremità del tubo di scarico si trovi all'altezza corretta (vedere INSTALLAZIONE). Verificare eventuali effetti sifone nell'impianto di scarico domestico; se necessario, installare una valvola di ingresso aria.
La perdita di detersivo.	Aria nel tubo di mandata dell'acqua.	Controllare che non vi siano perdite nell'impianto idraulico o altri problemi che causino l'ingresso di aria.
	Dipende dal detergente liquido utilizzato e può essere accentuata in caso di opzione di ritardo attivata.	Piccole perdite non causano malfunzionamenti della macchina e possono essere evitate cambiando il tipo di detergente liquido o utilizzando le pastiglie.

Documentazione normativa, documentazione standard, ordinazione di pezzi di ricambio e altre informazioni sul prodotto possono essere reperite:

- Utilizzo del codice QR sul prodotto.
- Visitando il nostro sito web docs.hotpoint.eu e parts-selfservice.europeanappliances.com
- Oppure, **contattare il Servizio Assistenza Tecnica** (al numero di telefono riportato sul libretto di garanzia). Quando si contatta il Servizio Assistenza Tecnica, fornire i codici presenti sulla targhetta matricola del prodotto.

I dati del modello possono essere richiamati usando il codice QR riportato sull'etichetta energetica. L'etichetta riporta anche il codice identificativo del modello che può essere utilizzato per consultare il portale di registrazione su <https://eprel.ec.europa.eu>.



ДНЕВЕН РЕФЕРЕНТЕН ВОДИЧ



**ВИ БЛАГОДАРИМЕ ШТО КУПИВТЕ ПРОИЗВОД НА
HOTPOINT ARISTON.**

За да добиете поцелосна помош, ве молиме регистрирајте
го вашиот апарат на: www.hotpoint.eu/register



**Пред да го користите апаратот, внимателно прочитајте го
упатството за безбедност и инсталација.**

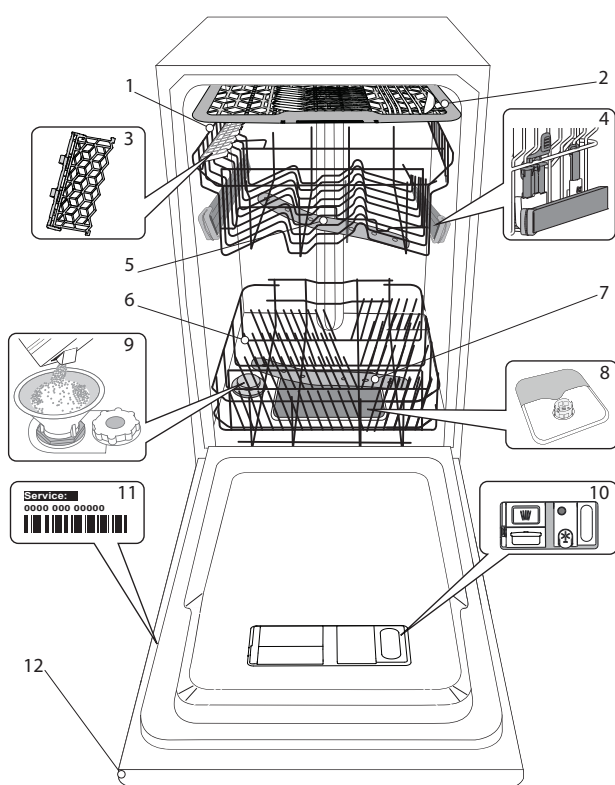
По инсталацијата, не заборавате да ги отстраните сите заштитни
делови за транспорт од машината за садови.

**ВЕ МОЛИМЕ
СКЕНИРАЈТЕ ГО QR-
КОДОТ НА ВАШИОТ
ПРОИЗВОД ЗА ДА
ИМАТЕ ПОДЕТАЛНИ
ИНФОРМАЦИИ.**



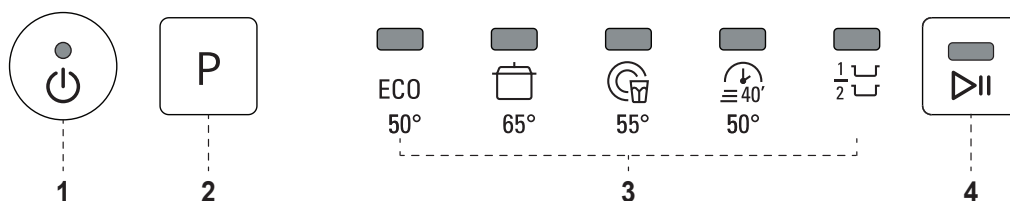
ОПИС НА ПРОИЗВОДОТ

АПАРАТ



1. Горна решетка
2. Решетка за прибор за јадење
3. Склопливи клапи
4. Горна решетка Регулација на висината
5. Горна рачка за прскање
6. Долна решетка
7. Долна рачка за прскање
8. Филтер Склоп
9. Резервоар за сол
10. Резервоар за детергент и средство за плакнење
11. Плоча со ознака
12. Контролна табла

КОНТРОЛЕН ПАНЕЛ



1. ON-OFF/Копче за ресетирање со индикаторско светло
2. Копче за избор на програма
3. Индикаторско светло на програмата
4. Копче START/Pause со индикаторско светло

ПРВ ПАТ КОРИСТЕЊЕ СОЛ, СРЕДСТВО ЗА ПЛАКНЕЊЕ И ДЕТЕРГЕНТ

СОВЕТ ЗА ПРВА УПОТРЕБА

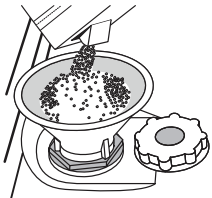
По монтажата, извадете ги запирачите од решетките и елементите за прицврстување од горната решетка.

ПОЛНЕЊЕ НА РЕЗЕРВОАРОТ ЗА СОЛ

Употребата на сол го спречува создавањето на ВАРОВНИК на садовите и на функционалните компоненти на машината.

- Задолжително е **РЕЗЕРВОАРОТ ЗА СОЛ НИКОГАШ** да **НЕ БИДЕ ПРАЗЕН**.
- Важно е да ја поставите тврдоста на водата.

Резервоарот за сол се наоѓа во долниот дел на машината за миене садови (видете ОПИС НА ПРОИЗВОДОТ) и мора да се наполни кога зелената пловка на капачето на резервоарот за сол повеќе не е видлива.



1. Отстранете ја долната решетка и одвртете го капачето на резервоарот (спротивно од стрелките на часовникот).
2. **Само првиот пат кога ќе го направите ова: наполнете го резервоарот за сол со вода.**
3. Поставете ја инката (види слика) и наполнете го резервоарот за сол до нејзиниот раб (приближно 1 кг); не е невообичаено да истече малку вода.

4. Отстранете ја инката и избришете ги остатоците од сол од отворот. Проверете дали капачето е цврсто зашрафено, за да не може да влезе детергент во садот за време на програмата за миене (ова може да го оштети омекнувачот на вода трајно).

Секогаш кога треба да додадете сол, задолжително е да ја завршите постапката пред почетокот на циклусот на перење за да избегнете корозија.

ПОСТАВУВАЊЕ НА ТВРДОСТА НА ВОДАТА

За да се овозможи омекнувачот на вода да работи на совршен начин, неопходно е поставката за тврдост на водата да се заснова на вистинската тврдост на водата во вашата куќа. Овие информации може да се добијат од вашиот локален снабдувач со вода.

Фабриката ја поставува стандардната вредност за тврдоста на водата.

- Вклучете го апаратот со притискање на копчето **ON/OFF**.
- Исклучете го апаратот со притискање на копчето **ON/OFF**.
- Држете го копчето **P** 5 секунди, додека не слушнете звучен сигнал.
- Вклучете го апаратот со притискање на копчето **ON/OFF**.
- Програмското индикаторско светло на тековното поставено ниво трепка
- Притиснете го копчето **P** за да го изберете саканото ниво (видете ТАБЕЛА ЗА ТРЖЛИВОСТ НА ВОДА).

Табела За Тврдоста На Вода

Ниво			°dH Германски степен	°fH Француски степен	°Clark Англиски степен
1	ECO	Мека	0 - 6	0 - 10	0 - 7
2		Средна	7 - 11	11 - 20	8 - 14
3		Просечна тврда	12 - 16	21 - 29	15 - 20
4		Тврда	17 - 34	30 - 60	21 - 42
5		Многу тврда	35 - 50	61 - 90	43 - 62

- Исклучете го апаратот со притискање на копчето **ON/OFF**.

Поставувањето е завршено!

Штом оваа постапка ќе заврши, стартувајте програма без вчитување.

Користете само сол што е специјално дизајнирана за машини за миене садови.

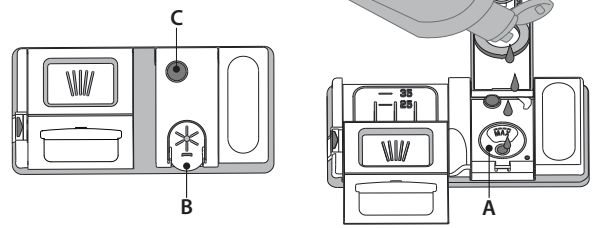
Откако солта ќе се истури во машината, показното светло за ПОПЛУВАЊЕ СОЛ се исклучува.

Ако садот за сол не е наполнет, омекнувачот на вода и грејниот елемент може да се оштетат како резултат на акумулација на бигор.

Се препорачува употреба на сол со секаков вид детергент за миене садови.

ПОЛНЕЊЕ НА ДИСПЕНЗЕРОТ ЗА ПЛАКНЕЊЕ

Средството за плакнење го олеснува СУШЕЊЕТО на садовите. Дозерот за средство за плакнење **A** треба да се наполни кога темниот оптички индикатор на вратата на дозерот **C** ќе стане просирен.



1. Отворете го дозерот **B** со притискање и повлекување на јазичето на капакот.
2. Истурете го средството за плакнење (макс. 110 ml), внимавајте да не се прелее од дозерот. Ако тоа се случи, веднаш исчистете го истекувањето со сува крпа.
3. Притиснете го капакот надолу додека не слушнете клик за да го затворите.

НИКОГАШ не истурајте го средството за плакнење директно во кадата на апаратот.

ПРИЛАГОДУВАЊЕ НА ДОЗАТА НА СРЕДСТВОТО ЗА ПЛАКНЕЊЕ

Ако не сте целосно задоволни со резултатите од сушењето, можете да ја прилагодите количината на употребеното средство за плакнење.

- Вклучете ја машината за миене садови користејќи го копчето **ON/OFF**.
- Исклучете го со копчето **ON/OFF**.
- Притиснете го копчето **P** три пати - ќе се слушне звучен сигнал.
- Вклучете го со копчето **ON/OFF**.
- Програмското индикаторско светло на тековното поставено ниво трепка.
- Притиснете го копчето **P** за да го изберете нивото на количината на средство за плакнење што треба да се испорача.
- Исклучете го со помош на копчето **ON/OFF**.

Поставувањето е завршено!

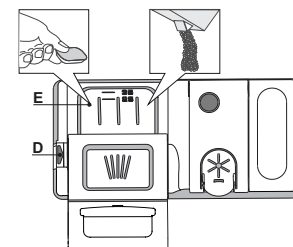
Ако нивото на средството за плакнење е поставено на НУЛА, нема да се испорача средство за плакнење. Показното светло НИСКО ПОМОШ ЗА ПЛАКНЕЊЕ нема да свети ако ви снеса средство за плакнење. Може да се постават најмногу 5 нивоа според моделот на машината за миене садови.

Фабричкото поставување е специфично за моделот, следете ги упатствата погоре за да го проверите ова за вашата машина.

- Ако видите синкасти ленти на садовите, поставете мал број (2-3).
- Ако има капки вода или траги од бигор на садовите, поставете број од среден опсег (4-5).

ПОЛНЕЊЕ НА ДИСПЕНЗЕРОТ ЗА ДЕТЕРГЕНТ

За да го отворите дозерот за детергент, користете го уредот за отворање **D**. Внесете го детергентот само во сувиот дозер **E**. Поставете ја количината на детергент за предмиење директно во кадата.



1. Кога го мерите детергентот, погледнете ги споменатите претходни информации за да ја додадете соодветната количина. Внатре во дозерот **E** има индикации кои помагаат во дозирањето на детергентот.
2. Отстранете ги остатоците од детергентот од рабовите на дозерот и затворете го капакот додека не кликне.
3. Затворете го капакот на дозерот за детергент со влечење нагоре додека уредот за отворање не се прицврсти на своето место.

Дозерот за детергент автоматски се отвора во вистинско време според програмата.

Употребата на детергент што не е наменет за машини за миене садови може да предизвика дефект или оштетување на апаратот.

ТАБЕЛА НА ПРОГРАМИ

Програма	Фаза на сушење	ActiveDry [®]	Времетраење на програмата за миење (ч:МИН) ^{**}	Потрошувачка на вода (литри/циклус)	Потрошувачка на енергија (kWh/циклус)
1. Еко 	50°	✓	3:35	8.7	0.72
2. Интензивна 	65°	✓	2:45	17.5	1.60
3. Мешани 	55°	✓	2:30	15.0	1.30
4. Репид 40' 	50°	-	0:40	9.0	0.70
5. Половина Полнење 	55°	✓	1:20	11.0	1.00

Податоците од програмата ЕКО се мерат во лабораториски услови според европскиот стандард EN 60436:2020.

Забелешка за тест лаборатории: За информации за компаративните услови за тестирање EN, ве молиме испратете е-пошта на следната адреса: dw_test_support@eurolappliance.com

Не е потребен претходен третман на садовите пред некоја од програмите.

*) Вратата се отвора пред да заврши програмата. Ова ја подобрува ефикасноста на сушење. Почекајте додека не заврши циклусот и не го слушнете звучниот сигнал пред да ја испразните машината за садови.

***) Вредностите дадени за програми различни од еко-програмата се само индикативни. Вистинското време може да варира во зависност од многу фактори како што се температурата и притисокот на влезната вода, собната температура, количината на детергент, количината и типот на полнење, балансирањето на товарот, дополнителните избрани опции и калибрацијата на сензорот. Калибрацијата на сензорот може да го зголеми времетраењето на програмата до 20 мин..

ОПИС НА ПРОГРАМИТЕ

Инструкции за избор на циклус на миење

1 ЕКО

Еко програмата е погодна за чистење на нормално извалкани садови, бидејќи за оваа употреба е најефикасната програма во однос на нејзината комбинирана потрошувачка на енергија и вода и дека се користи за проценка на усогласеноста со законодавството на ЕУ за екодизајн.

2 ИНТЕНЗИВНА

Програма се препорачува за многу извалкани садови, особено погодна за тави и тенџериња (да не се користи за деликатни предмети).

3 МЕШАНИ

Мешано валкани. За нормално извалкани садови со остатоци од сушена храна.

4 РАПИД 40'

Програма што ќе се користи за половина товар на лесно извалкани садови без остатоци од исушена храна. Нема фаза на сушење.

5 ПОЛОВИНА ПОЛНЕЊЕ

Идеален за миење на половина товар на лесно или нормално извалкани садови.

Забелешки:

Ве молиме имајте предвид тој циклус *Рapid 40'*, е наменет за малку извалкани садови.

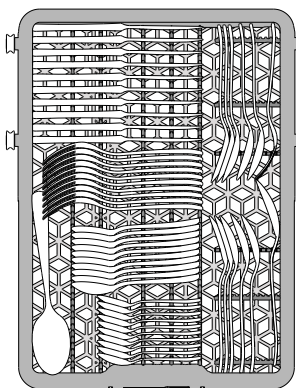
ОПИС НА ПРОГРАМИТЕ

ActiveDry Тоа е систем за сушење со конвекција кој автоматски ја отвора вратата за време/по фазата на сушење за да обезбеди исклучителни перформанси на сушење секој ден. Вратата се отвора на температура што е безбедна за мебелот од вашата кујна.

Како дополнителна заштита од пареа, заедно со машината за садови се додава специјално изработена заштитна фолија. За да видите како да ја монтирате заштитната фолија, погледнете го УПАТСТВОТО ЗА ИНСТАЛАЦИЈА.

ПОПОЛНУВАЊЕ НА РЕШТКИТЕ

РЕШЕТКА ЗА ПРИБОР ЗА ЈАДЕЊЕ



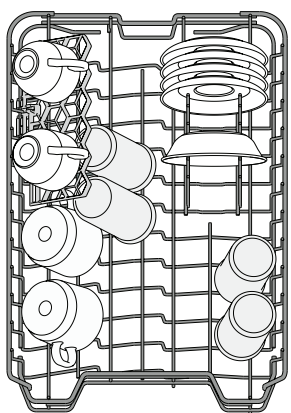
Третата решетка е наменета за приборот за јадење.

Наредете го приборот за јадење како што е прикажано на сликата.

Посебното распоредување на приборот за јадење го олеснува собирањето по миењето и ги подобрува перформансите на миеење и сушење.

Ножевите и другите прибори со остри рабови мора да бидат поставени со сечилата свртени надолу.

ГОРНА РЕШЕТКА



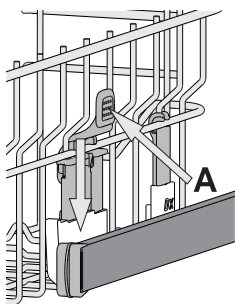
Ставете деликатни и лесни садови: чаши, шољи, чинии, ниски чинии за салата.

(пример за пополнување на горната решетка)

ПРИЛАГОДУВАЊЕ НА ВИСИНАТА НА ГОРНАТА РЕШЕТКА

Висината на горната решетка може да се прилагоди: висока положба за ставање гломазни садови во долната корпа и ниска положба за максимално искористување на потпирачите за капење со создавање повеќе простор нагоре и избегнување судир со ставки натоварени во долната решетка.

Горната решетка е опремена со **регулатор на висината на горниот решетка** (види слика), без притискање на рачките, подигнете ја нагоре со едноставно држење на страните на решетката, штом решетката е стабилна во горната положба. За да се вратите во долната положба, притиснете ги рачките **A** на страните на решетката и поместете ја корпата надолу.



Силно препорачуваме да не ја прилагодувате висината на решетката кога е наполнета.

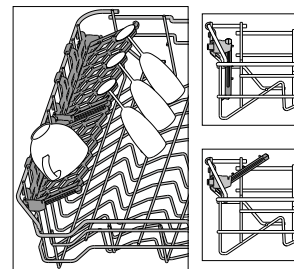
НИКОГАШ не ја кревајте или спуштајте корпата само од едната страна.

СТРАНИЧНИ КЛАПИ СО ПРИЛАГОДЛИВА ПОЛОЖБА

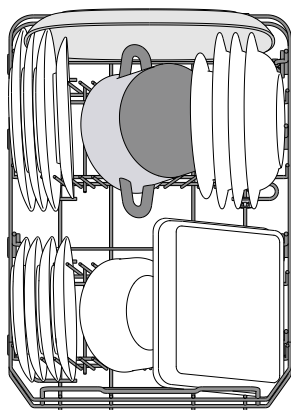
Страничните преклопни клапи може да се преклопат или да се расклопат за да се оптимизира распоредот на садовите во решетката. Чашите за вино може безбедно да се стават во преклопливите клапи со вметнување на стеблото на секоја чаша во соодветните отвори.

Во зависност од моделот:

- за да ги одвртите клапите, потребно е да го лизнете нагоре и да го ротирате или ослободите од прицврстувачите и да го повлечете надолу.
- за да ги свртите клапите, потребно е да го ротирате и да ги лизнете клапите надолу или да го повлечете нагоре и да ги закачите клапите на клиповите.



ДОЛНА РЕШЕТКА



За тенџериња, капаци, чинии, чинии за салата, прибор за јадење итн. Големите чинии и капаци може идеално да се постават на страните за да не се попречи краток на прскалката.

(пример за полнење на долната решетка)

СЕКОЈДНЕВНА УПОТРЕБА

1. ПРОВЕРЕТЕ ГО ПОВРЗУВАЊЕТО ВО ВОДА

Проверете дали машината за миење садови е поврзана со довод на вода и дали славината е отворена.

2. ВКЛУЧЕТЕ ЈА МАШИНАТА ЗА МИЕЊЕ ЗА САДОВИ

Отворете ја вратата и притиснете го копчето **ON/OFF**.

3. ПОЛНЕТЕ ГИ РЕШЕТКИТЕ

(видете **ПОПОЛНУВАЊЕ НА РЕШЕТКИТЕ**)

4. ПОЛНЕЊЕ НА ДИСПЕНЗАТОР ЗА ДЕТЕРГЕНТ

5. ИЗБЕРЕТЕ ЈА ПРОГРАМАТА И ПРИЛАГОДУВАЈТЕ ГО ЦИКЛУСОТ
Изберете ја најсоодветната програма во согласност со типот на садовите и нивото на неговата извалканост (видете **ОПИС НА ПРОГРАМИТЕ**) со притискање на копчето **P**. Изберете ги саканите опции (видете **ОПЦИИ И ФУНКЦИИ**).

6. СТАРТ

Започнете го циклусот на перење со притискање на копчето **СТАРТ/Пауза** (светилката свети) и затворање на вратата во рок од 4 секунди. Кога програмата ќе започне, слушате еден звучен сигнал. Ако вратата не се затвори во рок од 4 секунди, ќе се ре-продуцира алармот. Во овој случај, отворете ја вратата, притиснете го копчето **СТАРТ/Пауза** и повторно затворете ја вратата во рок од 4 секунди.

7. КРАЈ НА ЦИКЛУСОТ НА ПЕРЕЊЕ

Крајот на циклусот на перење се означува со звучни сигнали и со трепкање на бројот на циклусот на перење на екранот. Отворете ја вратата и исклучете го апаратот со притискање на копчето **ON/OFF**. Почekaјте неколку минути пред да ги извадите садовите - за да избегнете изгореници. Растоварете ги решетките, почнувајќи од долниот.

Машината автоматски ќе се исклучи за време на одредени по-долги периоди на неактивност, со цел да се минимизира потрошувачката на електрична енергија. Ако садовите се малку извалкани или ако се исплакнат со вода пред да се стават во машина за миење садови, соодветно намалете ја количината на употребениот детергент

МОДИФИКУВАЊЕ НА ВКЛУЧЕНА ПРОГРАМА

Ако е избрана погрешна програма, можно е да се смени, под услов да само што започнала: притиснете и задржете го копчето **ON/OFF**, машината ќе се исклучи. Вклучете ја машината повторно користејќи го копчето **ON/OFF** и изберете го новиот циклус на перење и сите посакувани опции; започнете го циклусот со притискање на копчето **СТАРТ/Пауза**.

ДОДАВАЊЕ НА ДОПОЛНИТЕЛНИ САДОВИ

Без исклучување на машината, отворете ја вратата (**пазете се од ТОПЛА пара!**) и ставете ги садовите во машината за миење садови. Затворете ја вратата и притиснете го копчето **СТАРТ/Пауза** циклусот ќе започне од местото каде што бил прекинат.

СЛУЧАЈНИ ПРЕКИНИ

Ако вратата се отвори за време на циклусот на перење или ако дојде до прекин на струја, циклусот престанува. Откако ќе се затвори вратата или ќе се врати напојувањето со електрична енергија, за повторно да го започнете циклусот од местото каде што беше прекинат, притиснете го копчето **СТАРТ/Пауза**.

СОВЕТИ И ПРЕДЛОЗИ

СОВЕТИ

Пред да ги ставите корпите, отстранете ги сите остатоци од храна од садовите и испразнете ги чашите. Не треба претходно да се плакнете под млаз вода. Наредете ги садовите така што да се држат цврсто и да не се превртуваат; и наредете ги контејнерите со отворите свртени надолу и конкавните/конвексните делови поставени косо, со што ќе дозволите водата да стигне до секоја површина и слободно да тече. **Предупредување:** капаците, рачките, плеховите и тавите за пржење не го спречуваат ротирањето на краците на распрскувачот. Ставете ги сите мали предмети во корпата за прибор за јадење. Многу валкани садови и тави треба да се стават во долната корпа бидејќи во овој сектор прскањата со вода се посилен и овозможуваат повисоки перформанси на миење.

Откако ќе го наполните апаратот, проверете дали краците на распрскувачот можат слободно да се ротираат.

ОШТЕТУВАЊЕ НА ЧАШИТЕ И ПРИБОРОТ

- Користете само чаши и порцелан гарантирани од производителот како безбедни во машина за миење садови.
- Користете нежен детергент погоден за садови
- Соберете чаши и прибор за јадење од машината за миење садови штом ќе заврши циклусот на миење.

ХИГИЕНА

За да избегнете мирис и талог што може да се акумулира во машината за миење садови, **користете програма за висока температура најмалку една месечно**. Користете една кафена лажичка детергент и истурете ја без полнење за да го исчистите вашиот апарат.

НЕСООДВЕТНИ САДОВИ

- Дрвени садови и прибор за јадење.
- Нежно украсени чаши, уметнички ракотворби и антички садови. Нивните украси не се отпорни.
- Делови од синтетички материјал кои не издржуваат високи температури.
- Бакарни и лимени садови.
- Садови извалкани со пепел, восок, маст за подмачкување или мастило.

Боите на стаклените украси и алуминиумските/сребрените парчиња може да се променат и избледат за време на процесот на перење. Некои видови стакло (на пр. кристални предмети) може да станат непроѕирни и по неколку циклуси на перење.

СОВЕТИ ЗА ШТЕДЕЊЕ НА ЕНЕРГИЈА

- Кога машината за миење садови за домаќинство се користи според упатствата на производителот, **миењето садови во машина за садови обично троши помалку енергија и вода отколку рачното миење садови**.
- Со цел да се зголеми ефикасноста на машината за миење садови, **се препорачува да се започне циклусот на миење откако машината за миење садови е целосно наполнета**. Полнењето на машината за миење садови за домаќинство до капацитетот назначен од производителот ќе придонесе за заштеда на енергија и вода. Информациите за правилното ставање на садовите за јадење може да се најдат во поглавјето **ПОПОЛНУВАЊЕ НА РЕШЕТКИТЕ**. Во случај на делумно полнење, се препорачува да се користат посебни опции за перење доколку се достапни (Половина Полнење, Zone Wash, Multizone), пополнувајќи ги само избраните лавици. Неправилното полнење или преоптоварување на машината за миење садови може да го зголеми искористувањето на ресурсите (како што се вода, енергија и време, како и да го зголеми нивото на бучава), намалувајќи ги перформансите на чистење и сушење.
- Рачното претходно плакнење на садовите за јадење доведува до зголемена потрошувачка на вода и енергија и не се препорачува. лажичка детергент и истурете ја без полнење за да го исчистите вашиот апарат.

ОТПОРНА НА ЗАМРЗНУВАЊЕ

Ако апаратот е поставен во околина изложена на ризик од мраз, **мора водата целосно да се испушти**. Затворете го вентилот за вода, извадете ги доводните и одводните црева и оставете ја целата вода да истече. **Проверете дали омекнувачот на вода е полн со растворена сол за регенерација во садот за сол**, за заштита на апаратот од температури до -20°C .

Ако апаратот се чувал во услови на мраз, истиот мора да остане на амбиентална температура од мин. 5°C **најмалку 24 часа** пред првото вклучување.

НЕГА И ОДРЖУВАЊЕ

ЧИСТЕЊЕ НА СКЛОПОТ НА ФИЛТЕРОТ

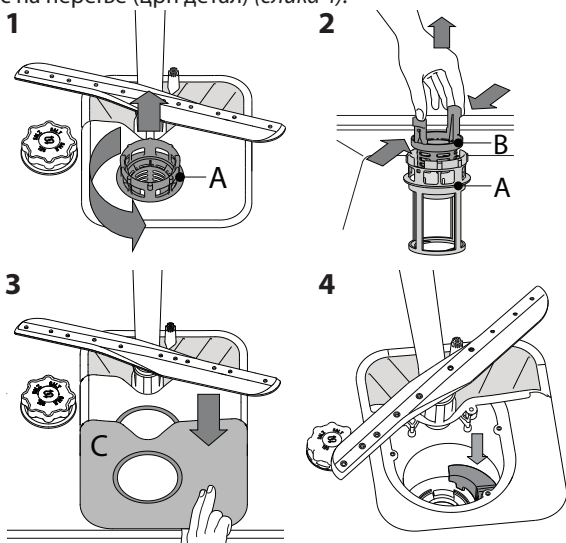
Редовно чистете го склопот на филтерот за да не се затнат филтрите и правилно да тече отпадната вода.

Користењето машина за миене садови со затнати филтри или туѓи предмети во системот за филтрирање или прскалки може да предизвика дефект на единицата што резултира со губење на перформансите, бучна работа или поголема употреба на ресурси. Склопот на филтерот се состои од три филтри кои ги отстрануваат остатоците од храна од водата за перење и потоа ја рециркулираат водата.

Машината за миене садови не смее да се користи без филтри или ако филтерот е лабав.

Најмалку еднаш месечно или по секои 30 циклуси, проверете го склопот на филтерот и доколку е потребно исчистете го темелно под проточна вода, користејќи неметална четка и следејќи ги упатствата подолу:

1. Свртете го цилиндричниот филтер **A** во насока спротивно од стрелките на часовникот и извлекете го (слика 1).
2. Отстранете го филтерот за чаши **B** со мал притисок врз страничните клапи (слика 2).
3. Извлекете го филтерот со плоча од не'рѓосувачки челик **C** (слика 3).
4. Во случај да најдете туѓи предмети (како скршено стакло, порцелан, коски, семки од овошје итн.) **Ве молиме внимателно отстранете ги.**
5. Проверете ја стапцата и отстранете ги сите остатоци од храна. **НИКОГАШ НЕ ОТСТРАНУВАЈТЕ** ја заштитата на пумпата за циклус на перење (црн детал) (слика 4).



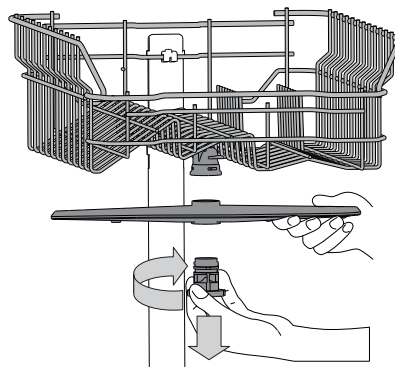
Откако ќе ги исчистите филтрите, повторно поставете го склопот на филтерот и правилно фиксирајте го во положбата; ова е од суштинско значење за одржување на ефикасната работа на машината за миене садови.

ЧИСТЕЊЕ НА ЦРЕВОТО ЗА ВЛЕЗ НА ВОДА

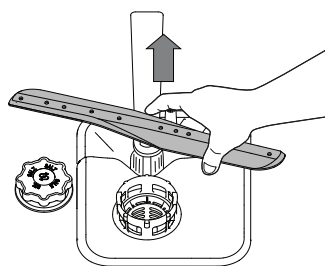
Ако цревата за вода се нови или не биле користени подолг временски период, оставете ја водата да тече за да бидете сигурни дека е чиста и без нечистотии пред да ги извршите потребните приклучоци. Ако не се преземе оваа мерка на претпазливост, доводот за вода може да се блокира и да ја оштети машината за миене садови.

ЧИСТЕЊЕ НА ПРСКАЛКИТЕ

Во некои прилики, остатоците од храна може да се наталожат на прскалките и да ги блокираат дупките што се користат за прскање на водата. Затоа се препорачува одвреме-навреме да ги проверувате краците и да ги чистите со мала неметална четка.



За да ја извадите горната рачка за прскање, свртете го пластичниот прстен за заклучување во насока на стрелките на часовникот. Горната прскалка треба да се замени така што страната со поголем број отвори да биде свртена нагоре.



Долната рачка за прскање може да се отстрани со влечење нагоре.

СИСТЕМ ЗА ОМЕКНУВАЊЕ НА ВОДАТА

Омекнувачот на вода автоматски ја намалува тврдоста на водата, следствено, спречувајќи наталожување бигор на грејачот, придонесувајќи и за подобра ефикасност на чистењето.

Овој систем сам се регенерира со сол, затоа е потребно повторно да се наполни садот за сол кога е празен.

Фреквенцијата на регенерација зависи од поставувањето на нивото на тврдост на водата. Регенерацијата се одвива еднаш на секои **6** Еко циклуси со ниво на тврдост на водата поставено на **3**.

Процесот на регенерација започнува во последното плакнење и завршува во фазата на сушење, пред да заврши циклусот.

- Единечната регенерација троши: ~3,5L вода;
- Потребни се до 5 дополнителни минути за циклусот;
- Троши под 0,005 kWh енергија.

РЕШАВАЊЕ НА ПРОБЛЕМИ

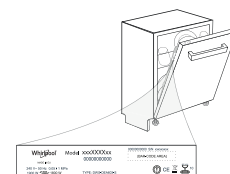
Во случај вашата машина за миење садови да не работи правилно, проверете дали проблемот може да се реши со одење низ следнава листа. За други грешки или проблеми, ве молиме контактирајте со овластен сервис за постпродажба, кој деталите за контакт може да ги најдете во гарантната книшка. Резервните делови ќе бидат достапни за период до 7 или до 10 години, во согласност со специфичните барања на регулативата.

ПРОБЛЕМИ	МОЖНИ ПРИЧИНИ	РЕШЕНИЈА	
Машината за миење садови нема да се вклучи или не реагира на командите.	Апаратот не е приклучен правилно.	Вметнете го приклучокот во штекерот.	
	Прекин на струја	Од безбедносни причини, машината за миење садови нема повторно да се вклучи автоматски кога ќе се врати напојувањето. Отворете ја вратата од машината за миење садови, притиснете го копчето СТАРТ/Пауза и затворете ја вратата во рок од 4 секунди.	
	Вратата на машината за миење садови не е затворена. Иглата ActiveDry не е вовлечена.	Енергично туркајте ја вратата додека не слушнете „клик“.	
	Циклусот е прекинат со отворање на вратата повеќе од 4 секунди.	Притиснете СТАРТ/Пауза и затворете ја вратата во рок од 4 секунди.	
Машината за миење садови нема да исцеди.	Не реагира на команди.	Исклучете го апаратот со притискање на копчето за ON/OFF, вклучете го повторно по приближно една минута и рестартирајте ја програмата. Ако проблемот продолжи, исклучете го апаратот 1 минута, а потоа повторно вклучете го.	
	Циклусот на перење сè уште не е завршен.	Почекајте додека не заврши циклусот на перење.	
	Цревото за одвод е свиткано.	Проверете дали одводното црево не е свиткано (видете УПАТСТВО ЗА ИНСТАЛАЦИЈА).	
Машината за миење садови прави прекумерна бучава.	Цевката за одвод на мијалникот е блокирана.	Исчистете ја одводната цевка на мијалникот.	
	Филтерот е затнат со остатоци од храна.	Исчистете го филтерот (видете ЧИСТЕЊЕ НА СКЛОПОТ НА ФИЛТЕР).	
	Садовите се удаат едни со други.	Правилно поставете ги садовите (видете ПОПОЛНУВАЊЕ НА РЕШЕТКИТЕ).	
Машината за миење садови прави прекумерна бучава.	Произведено е прекумерно количество пена.	Детергентот не е правилно измерен или не е погоден за употреба во машини за миење садови (видете ПОЛНЕЊЕ НА ДИСПЕНЗЕРОТ ЗА ДЕТЕРГЕНТ). Рестартирајте го тековниот циклус со исклучување на машината за миење садови, потоа повторно вклучете ја, изберете нова програма, притиснете СТАРТ/Пауза и затворете ја вратата во рок од 4 секунди. Ве молиме не додавајте детергент.	
	Садовите не се чисти.	Садовите не се наредени како што треба.	Правилно наредете ги садовите (видете ПОПОЛНУВАЊЕ НА РЕШЕТКИТЕ).
		Прскалките не можат слободно да се ротираат, бидејќи садовите ги попречуваат.	Правилно наредете ги садовите (видете ПОПОЛНУВАЊЕ НА РЕШЕТКИТЕ).
		Циклусот на миење е премногу нежен.	Изберете соодветен циклус на перење (видете ТАБЕЛА НА ПРОГРАМИ).
		Произведено е прекумерно количество пена.	Детергентот не е правилно измерен или не е погоден за употреба во машини за миење садови (видете ПОЛНЕЊЕ НА ДИСПЕНЗЕРОТ ЗА ДЕТЕРГЕНТ).
		Капачето на преградата за средство за плакнење не е правилно затворено.	Проверете дали капачето на дозерот за средство за плакнење е затворено.
Филтерот е извалкан или затнат.	Исчистете го склопот на филтерот (видете ГРИЖА И ОДРЖУВАЊЕ).		
Нема сол.	Наполнете го резервоарот за сол (видете ПОЛНЕЊЕ НА РЕЗЕРВОАРОТ ЗА СОЛ).		
Машината за миење садови не ја полни водата. Сите LED диоди брзо трепкаат	Нема вода во доводот за вода или славината е затворена.	Проверете дали има вода во доводот за вода или водоводната славина.	
	Доводното црево е свиткано.	Проверете дали доводното црево не е свиткано (видете ИНСТАЛАЦИЈА) репрограмирајте ја машината за миење садови и рестартирајте ја.	
	Ситото во цревото за довод на вода е затнато; потребно е да се исчисти	Откако ќе ја извршите проверката и чистењето, исклучете ја и вклучете ја машината за миење садови и рестартирајте нова програма.	
Машината за миење садови предвреме го завршува циклусот.	Цревото за одводнување е поставено премногу ниско или се влева во домашната канализација.	Проверете дали крајот на одводното црево е поставен на правилна висина (видете ИНСТАЛАЦИЈА). Проверете дали водата се испушта во домашната канализација и доколку е потребно, поставете воздушни вентил.	
	Воздух во снабдувањето со вода.	Проверете го доводот на вода за протекување или други проблеми што го пуштаат воздухот внатре.	
Истекувањето на детергентот.	Зависи од течниот детергент што се користи и може да се нагласи во случај на активирање на опцијата за одложување.	Малите протекувања нема да предизвикаат дефект на машината и може да се спречат со промена на типот на течен детергент или со користење таблети.	

Политики, стандардна документација, нарачка на резервни делови и дополнителни информации за производот може да се најдат со:

- Користење на QR-код
- Посетете ја нашата веб-страница docs.hotpoint.eu и parts-selfservice.europeanappliances.com
- Алтернативно, **контактирајте ја нашата служба за постпродажба** (види телефонски број во гарантната книшка). Кога ја контактирате нашата служба за постпродажба, ве молиме наведете ги шифрите дадени на идентификациската табличка на вашиот производ.

Информациите за моделот може да се вратат со користење на QR-кодот пријавен во енергетската етикета. Етикетата го вклучува и идентификаторот на моделот што може да се користи за да се консултира порталот на регистарот на <https://eprel.ec.europa.eu>.

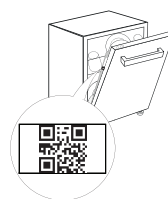


NAVODILA ZA ODPRAVLJANJE TEŽAV



HVALA, KER STE KUPILI IZDELEK ZNAMKE HOTPOINT ARISTON.
Za popolno podporo aparat registrirajte na spletni strani:
www.hotpoint.eu/register

**ZA PODROBNEJŠE
INFORMACIJE
POSKENIRAJTE
KODO QR
NA NAPRAVI**

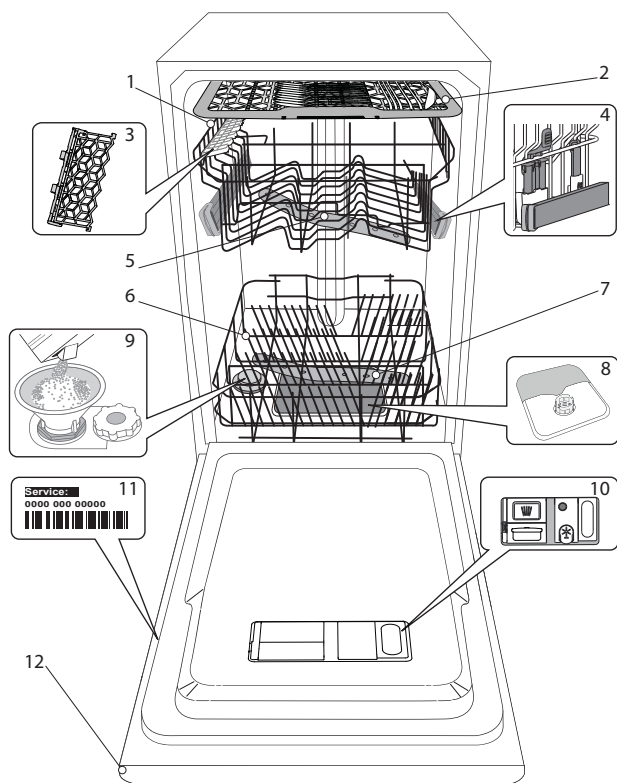


Pred uporabo aparata pozorno preberite varnostna navodila in navodila za namestitev.

Po namestitvi iz pomivalnega stroja ne pozabite odstraniti vseh transportnih varoval.

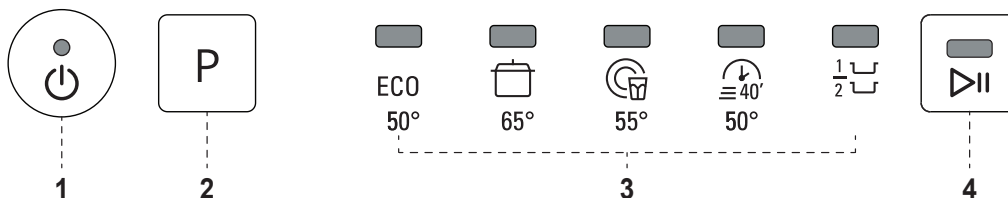
OPIS IZDELKA

APARAT



1. Zgornja košara
2. Košara za pribor
3. Zložljiva polička
4. Regulator višine zgornje košare
5. Zgornja pršilna roka
6. Spodnja košara
7. Spodnja pršilna roka
8. Filtrinski sklop
9. Posoda za sol
10. Prekat za pomivalno sredstvo in posoda za tekočino za lesk
11. Napisna ploščica
12. Upravljalna plošča

UPRAVLJALNA PLOŠČA



1. Tipka za Vklop/Izklop/Ponastavitev s signalno lučko
2. Tipka za izbiro programa s signalno lučko
3. Indikatorske lučke programov
4. Tipka za Zagon/Premor s signalno lučko

Hotpoint

ARISTON

PRVA UPORABA

SOL, TEKOČINA ZA LESK IN POMIVALNO SREDSTVO

NASVETI ZA PRVO UPORABO

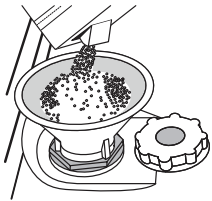
Po namestitvi iz košar odstranite varovala in pritrtilne elastike iz zgornje košare.

POLNJENJE POSODE ZA SOL

Uporaba soli preprečuje nastajanje VODNEGA KAMNA na posodi in na delujočih komponentah aparata.

- Obvezno je, da **POSODA ZA SOL NI NIKOLI PRAZNA**.
- Trdoto vode je treba obvezno nastaviti.

Posoda za sol je v spodnjem delu pomivalnega stroja (glejte Opis izdelka) in jo je treba napolniti, ko zeleni plovček na pokrovu posode za sol ni več viden.



1. Izvzemite spodnjo košaro in odvijte pokrovček posode (v nasprotni smeri urnega kazalca).
2. **Samo ob prvi uporabi: posodo za sol napolnite z vodo.**
3. Namestite lijak (glejte sliko) in posodo za sol napolnite do roba (približno 1 kg); nič nenačnega ni, če pri tem iz posode izteče nekaj vode.
4. Odstranite lijak in obrišite ostanke soli okrog odprtine.

Pokrovček mora biti trdno pravit, da pomivalno sredstvo med pomivanjem ne more prodreti v posodo (to bi lahko sistem za mehčanje vode nepopravljivo poškodovalo).

Ko je treba dodati sol, morate postopek obvezno zaključiti pred začetkom pralnega cikla, da preprečite korozijo.

NASTAVITEV TRDOTE VODE

Za brezhibno delovanje sistema za mehčanje vode je ključnega pomena, da nastavev trdote vode ustreza dejanskim vrednostim trdote vode v vašem domu. Te vrednosti so vam na voljo pri krajevnem vodovodnem podjetju.

Privzeta vrednost trdote vode je nastavljena tovarniško.

- S pritiskom na tipko za **VKLOP/IZKLOP** vklopite aparat.
- S pritiskom na tipko za **VKLOP/IZKLOP** izklopite aparat.
- 5 sekund držite tipko za **P**, da zaslišite zvočni signal.
- S pritiskom na tipko za **VKLOP/IZKLOP** vklopite aparat.
- Signalna lučka programa trenutno nastavljene stopnje utripa.
- Pritisnite tipko **P** za izbiro zelene ravni trdote (glejte RAZPREDELNICO ZA TRDOTO VODE).

Stopnja			°dH Nemške stopinje	°fH Francoske stopinje	°Clark Angleške stopinje
1	ECO	Mehka	0 - 6	0 - 10	0 - 7
2		Srednja	7 - 11	11 - 20	8 - 14
3		Povprečna	12 - 16	21 - 29	15 - 20
4		Trda	17 - 34	30 - 60	21 - 42
5		Zelo trda	35 - 50	61 - 90	43 - 62

- S pritiskom na tipko za **VKLOP/IZKLOP** izklopite aparat.

Nastavev je končana!

Ko to storite, zaženite program brez posode.

Uporabite sol, ki je bila zasnovana posebej za pomivalne stroje.

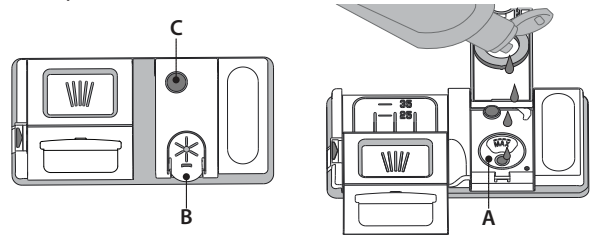
Ko dodate sol, signalna lučka za NIZKO RAVEN SOLI ugasne.

Če posoda za sol ni napolnjena, se lahko sistem za mehčanje vode in grelnik poškodujeta zaradi nabiranja vodnega kamna.

Uporaba soli je priporočljiva s katero koli vrsto sredstva za pomivanje posode.

POLNJENJE POSODE ZA TEKOČINO ZA LESK

Teočina za lesk olajša SUŠENJE posode. Odmernik za pomoč pri izpiranju **A** je treba napolniti, ko temni optični kazalnik na vratih odmernika **C** postane prozoren.



1. Posodo **B** odprete tako, da pritisnete na jeziček na pokrovčku in ga povlečete.
2. Teočino za lesk previdno nalijte do oznake za maksimum (110 ml), pri čemer pazite, da teočine ne polivate. Če se to vseeno zgodi, razlito teočino nemudoma pobrišite s suho krpo.
3. Pritisnite na pokrovček, da se slišno zaskoči.

Teočine za lesk NE nalivajte neposredno v kad.

NASTAVITEV ODMERJANJA TEKOČINE ZA LESK

Če rezultati sušenja niso popolnoma zadovoljivi, lahko spremenite količino uporabljene teočine za lesk.

- Vključite pomivalni stroj s tipko za **VKLOP/IZKLOP**.
- Aparat izklopite s tipko za **VKLOP/IZKLOP**.
- Trikrat pritisnite tipko **P** – zasliši se zvočni signal.
- Aparat vklopite s tipko za **VKLOP/IZKLOP**.
- Signalna lučka programa trenutno nastavljene stopnje utripa.
- Pritisnite tipko **P**, da izberete količino dovajanja teočine za lesk.
- Aparat izklopite s tipko za **VKLOP/IZKLOP**.

Nastavev je končana!

Če je raven teočine za lesk nastavljena na 1 (ECO), aparat ne bo dovajal teočine za lesk. Signalna lučka za NIZKO RAVEN TEKOČINE ZA LESK ne bo zasvetila, če teočine za lesk zmanjka.

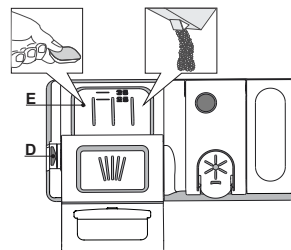
Glede na model pomivalnega stroja je mogoče nastaviti največ 5 stopnje. Tovarniška namestitev je odvisna od modela. Pri svojem aparatu jo preverite, tako da sledite zgornjim navodilom.

- Če so na posodi modre črte, nastavite nižjo vrednost (2-3).
- Če so na posodi sledi vodnih kapljic ali vodnega kamna, nastavite višjo vrednost (4-5).

POLNJENJE PREKATA ZA POMIVALNO SREDSTVO

Da odprete prekat za pomivalno sredstvo, uporabite odpiralo D.

Pomivalno sredstvo dodajte samo v suh prekat E. Količino pomivalnega sredstva za predpomivanje odmerite neposredno v kad.




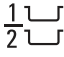


1. Pri odmerjanju pomivalnega sredstva glejte prej omenjene podatke, da boste odmerili ustrezno količino. V prekату **E** so označbe za pomoč pri doziranju pomivalnega sredstva.
2. Odstranite ostanke pomivalnega sredstva z robov prekata in zaprite pokrovček tako, da se slišno zaskoči.
3. Zaprite pokrovček prekata za pomivalno sredstvo tako, da ga potiskate navzgor, dokler zapiralo ni na svojem mestu.

Prekat za pomivalno sredstvo se ob pravem času glede na dani program samodejno odpre.

Uporaba pralnega sredstva, ki ni namenjen strojnemu pomivanju, lahko povzroči nepravilno delovanje ali aparat poškoduje.

PROGRAMSKA TABELA

Program			Faza sušenja	ActiveDry [®]	Trajanje pomivanja (h:min)**	Poraba vode (litri/pranje)	Poraba energije (kWh/pranje)
1. Eko	ECO	50°	✓	✓	3:35	8.7	0.72
2. Intenzivno		65°	✓	✓	2:45	17.5	1.60
3. Mešano		55°	✓	✓	2:30	15.0	1.30
4. Hitri program 40'		50°	-	✓	0:40	9.0	0.70
5. Polovično Polnjenje		55°	✓	✓	1:20	11.0	1.00

Meritve podatkov za program ECO so bile izvedene v laboratorijskih pogojih v skladu z evropskim standardom EN 60436:2020.

Opozorilo za preizkusne laboratorije: za informacije o pogojih izvajanja primerjalnega preizkusa EN pišite na naslednji elektronski naslov: dw_test_support@europeanappliances.com

Predhodna obdelava posode ni potrebna pri nobenem programu.

*) Vrata se odprejo pred koncem programa. To izboljša učinkovitost sušenja. Počakajte, da se cikel zaključi in zaslišite zvočni signal, preden izpraznite pomivalni stroj.

**) Vrednosti, podane za druge programe, razen za program Eco, so samo okvirne. Dejanski čas je odvisen od številnih faktorjev, kot so temperatura in tlak dovodne vode, sobna temperatura, količina pomivalnega sredstva, količina in vrsta posode, uravnotežena porazdelitev posode, dodatne izbrane možnosti in umerjanje senzorja. Umerjanje senzorja lahko program podaljša do 20 min.

OPISI PROGRAMOV

Navodila za izbiro programov pomivanja.

1 ECO

Program Eco je primeren za pomivanje običajno umazane posode, saj je za to uporabo najučinkovitejši program z vidika kombinirane porabe energije in vode, poleg tega pa izpolnjuje skladnost z zakonodajo EU o okoljsko primerni zasnovi.

2 INTENZIVNO

Program priporočamo za pomivanje zelo umazane posode. Še posebej primeren je za lonce in ponve (ne uporabljajte ga za občutljivo posodo).

3 MEŠANO

Mešana umazanija. Za običajno umazano posodo z zasušenimi ostanki hrane.

4 HITRI PROGRAM 40'

Program, ki se uporablja za polovično napolnjen pomivalni stroj in je namenjen pomivanju rahlo umazane posode brez posušenih ostankov hrane. Brez faze sušenja

5 POLOVIČNO POLNJENJE

Kot nalašč za pomivanje polovičnega polnjenja rahlo do običajno umazane posode.

Opombe:

Upoštevajte, da je cikel *Hitri program 40'* namenjen pomivanju rahlo umazane posode.

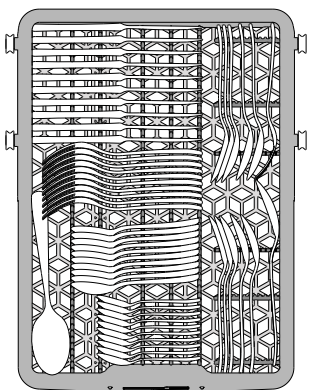
MOŽNOSTI IN FUNKCIJE

ActiveDry je konvekcijski sušilni sistem, ki samodejno odpre vrata med sušenjem/po njem, da vedno poskrbi za najboljše rezultate sušenja. Vrata se odprejo pri temperaturi, ki ne poškoduje kuhinjskega pohištva. Vrata se ne odprejo.

Pomivalnemu stroju je dodana posebna folija za zaščito pred paro. Za informacije o namestitvi zaščitne folije glejte NAVODILA ZA NAMESTITEV.

NALAGANJE KOŠAR

KOŠARA ZA PRIBOR



Tretja košara je bila zasnovana za pribor. Pribor razporedite, kot prikazuje slika. Ustrezna razporeditev pribora olajša pobiranje pribora iz aparata po končanem pomivanju in izboljša rezultat pomivanja in sušenja.

Nože in druge ostre pripomočke naložite z rezili navzdol.

ZLOŽLJIVA POLIČKA Z NASTAVLJIVIM POLOŽAJEM

Stranske zložljive poličke je mogoče sklopiti ali razklopiti, da lahko tako posodo kar najbolj razporedite po zgornji košari.

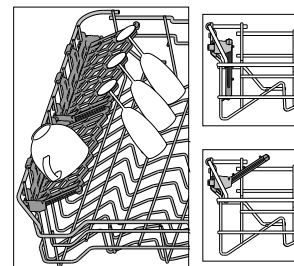
Kozarce za vino lahko z zložljivo poličko zavarujete tako, da njihove peclje vstavite v ustrezne zareze.

V primeru visokega položaja zgornje košare pokrovi ne morejo ostati v navpičnem položaju.

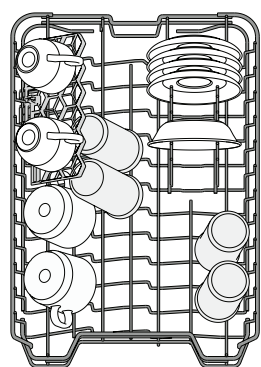
Glede na model pomivalnega stroja:

- če želite razklopiti poličko, jo povlecite navzgor in jo obrnite ali spro-
stite iz zapahov ter jo povlecite navzdol.

- če želite sklopiti poličko, jo obrnite, povlecite navzdol ali jo povlecite
navzgor in namestite v zapaha.



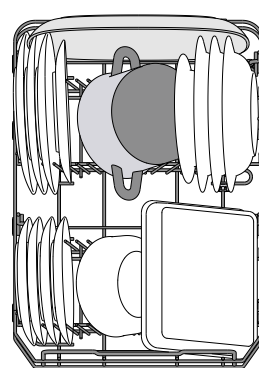
ZGORNJA KOŠARA



Vanjo naložite občutljivo in lahko posodo: kozarce, skodelice, krožnike in nizke sklede za solato.

(primer nalaganja posode v zgornjo košaro)

SPODNJA KOŠARA



Za lonce, pokrovke, krožnike, solatne sklede, pribor itd. Najboljše je, da večje krožnike in pokrovke naložite na strani, da tako ne ovirajo pršilne roke.

NASTAVITEV VIŠINE ZGORNJE KOŠARE

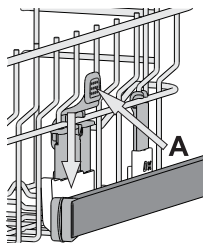
Višino zgornje košare je mogoče nastaviti: zgornji položaj omogoča zlaganje večje posode v spodnjo košaro, s spodnjim položajem pa lahko bolje izkoristite postavljiva držala. S pomikom košare ustvarite več prostora in preprečite trk s posodo, ki je naložena v spodnjo košaro.

Zgornja košara je opremljena z regulatorjem višine (glejte sliko). Brez pritiska na ročice jo dvignite tako, da jo preprosto držite na obeh straneh in jo dvigate, dokler ni stabilno nameščena v zgornjem položaju.

Da košaro znižate v spodnji položaj pritisnite na ročici **A** na straneh košare in jo pomaknite navzdol.

Močno odsvetujemo nastavljanje višine košare, ko je ta polna.

Košare NIKDAR ne dvigajte ali spuščajte samo na eni strani.



VSAKODNEVNA UPORABA

1. PREVERJANJE PRIKLOPA VODE

Preverite, ali je pomivalni stroj priključen na dovod vode in ali je vodovodna pipa odprta.

2. VKLOP POMIVALNEGA STROJA

Odprite vrata in pritisnite tipko za **VKLOP/IZKLOP**.

3. NALAGANJE POSODE V KOŠARE

(glej **NALAGANJE KOŠAR**)

4. POLNJENJE PREKATA ZA POMIVALNO SREDSTVO

5. IZBIRA PROGRAMA IN NASTAVITEV MOŽNOSTI

Izberite najprimernejši program glede na vrsto posode in stopnjo umazanosti (glejte **OPIS PROGRAMOV**) tako, da pritisnete tipko P. Izberite zeleno možnost (glejte **MOŽNOSTI IN FUNKCIJE**).

6. ZAGON

Pomivanje zaženite tako, da pritisnete na tipko za **ZAGON/PREMOR**, (LED-lučka zasveti) in v 4 sekundah zaprete vrata. Ob začetku programa se oglasi zvočni signal. Če v 4 sekundah ne zaprete vrat, se oglasi zvočno opozorilo. V tem primeru odprite vrata, pritisnite tipko za **ZAGON/PREMOR**, nato pa vrata v 4 sekundah znova zaprite.

7. KONEC POMIVANJA

Ob koncu programa pomivanja se oglasi zvočni signal in na prikazovalniku začne utripati številka programa pomivanja. Odprite vrata in s pritiskom na tipko za **VKLOP/IZKLOP** izklopite aparat. Preden izzamete posodo počakajte nekaj minut, da se ne opečete. Izpraznite košare, pri čemer začnite s spodnjo.

Aparat se med daljšimi obdobji neaktivnosti samodejno izklopi, da tako varčuje z energijo. Če je posoda le rahlo umazana ali če ste jo pred vstavljanjem v aparat sprali z vodo, ustrezno zmanjšajte količino uporabljenega pomivalnega sredstva.

SPREMINJANJE PROGRAMA V TEKU

Če ste izbrali napačen program, ga lahko spremenite pod pogojem, da se je program pravkar zagnal: odprite vrata, držite tipko za **VKLOP/IZKLOP** in tako izklopite aparat.

Aparat ponovno vklopite s tipko za **VKLOP/IZKLOP** in izberite nov program pomivanja ter zelene možnosti; pomivalni cikel zaženite tako, da pritisnete tipko za **ZAGON/PREMOR** in v 4 sekundah zaprete vrata.

DODAJANJE POSODE

Brez izklopa aparata odprite vrata (LED-dioda za **ZAGON/PREMOR** začne utripati) (**pazite na VROČO paro!**) in vstavite posodo v pomivalni stroj. Pritisnite tipko za **ZAGON/PREMOR** in v 4 sekundah zaprite vrata. Program se nadaljuje od točke prekinitve.

NENAMERNE PREKINITVE

Če med pomivanjem odprete vrata ali če pride do izpada električne energije, se program zaustavi. Če želite, da se program nadaljuje od točke prekinitve, pritisnite tipko za **ZAGON/PREMOR** in v 4 sekundah zaprite vrata.

NASVETI IN NAMIGI

NASVETI

Preden posodo naložite v košare, iz nje odstranite vse ostanke hrane, kozarce pa izpraznite. **Posode vam pred pomivanjem ni treba izprati pod tekočo vodo.**

Posodo naložite tako, da je trdno nameščena in se ne prevrne; posode naložite z odprtim delom navzdol, konkavne/konveksne kose pa poševno, da tako omogočite prost pretok vode za pomivanje vseh površin.

Pozor: pokrovi, ročaj, pladnji in ponve ne smejo ovirati vrtenja pršilnih rok.

V košarico za pribor lahko naložite katere koli manjše kose. Zelo umazane lonce in ponve položite v spodnjo košaro, saj so curki vode v tem delu močnejši, kar izboljša rezultat pomivanja. Ko v aparat zložite posodo, se prepričajte, da se pršilne roke neovirano vrtijo.

NEUSTREZNA POSODA

- Lesena posoda in pribor.
- Občutljivi okrašeni kozarci, umetniška ročna dela in starinski pribor. Okras na teh predmetih ni dovolj obstojen.
- Predmeti iz sintetičnih materialov, ki niso odporni na visoke temperature.
- Bakrena in pločevinasta posoda.
- Posoda, umazana od pepela, voska, maziv ali črnila.

Barva steklenih okraskov in aluminijastih/srebrnih predmetov se lahko med pomivanjem spremeni in zbledi. Nekatere vrste stekla (npr. predmeti iz kristala) lahko po nekaj pomivanjih postanejo motne.

POŠKODBE KOZARCEV IN POSODE

- Pomivajte le kozarce in porcelan, za katere proizvajalec jamči, da jih lahko pomivate v pomivalnem stroju.
- Uporabite blago pomivalno sredstvo, ki je primerno za posodo.
- Kozarce in posodo iz pomivalnega stroja vzemite takoj po koncu programa.

NAMIGI ZA VARČEVANJE Z ENERGIJO

- Kadar gospodinjski pomivalni stroj uporabljate v skladu z navodili proizvajalca, **pomivanje posode v pomivalnem stroju običajno porabi manj ENERGIJE in vode kot ročno pomivanje posode.**
- Za povečanje učinkovitosti pomivalnega stroja priporočamo, **da pomivalni cikel zaženete, ko je pomivalni stroj popolnoma napolnjen.** Nalaganje gospodinjskega pomivalnega stroja do zmogljivosti, ki jo je navedel proizvajalec, pripomore k prihranku energije in vode. Informacije o pravilnem nalaganju posode najdete v poglavju **NALAGANJE KOŠAR**. V primeru polovičnega polnjenja priporočamo, da uporabite ustrezne možnosti pomivanja, če so na voljo (polovično polnjenje/Zone Wash/ Multizone), in naložite le izbrane košare. Nepravilno polnjenje ali preobremenitev pomivalnega stroja lahko poveča porabo virov (kot so voda, energija in čas, kot tudi raven hrupa), kar zmanjša učinkovitost pomivanja in sušenja.
- Ročno predpomivanje posode pomeni večjo porabo vode in energije in se zato ne priporoča.

HIGIENA

Da preprečite nastanek neprijetnih vonjav ali nabiranje oblog v pomivalnem stroju, **vsaj enkrat na mesec zaženite program z visoko temperaturo.** Uporabite eno žličko pomivalnega sredstva in program zaženite brez posode, da tako očistite pomivalni stroj.

ODPORNOST PROTI ZMRZALI

Če se stroj nahaja v okolju, kjer obstaja nevarnost zmrzali, **ga morate popolnoma izprazniti.** Zaprite vodovodno pipo, odstranite dovodno in odvodno cev ter pustite, da izteče vsa voda. **Prepričajte se, da je posoda s soljo do vrha zapolnjena z raztopljeno regeneracijsko soljo,** ki bo aparat ščitila pri temperaturah do -20°C .

Če ste aparat hranili v okolju, kjer je mogoča zmrzal, mora aparat pred prvo uporabo **vsaj 24 ur** stati v prostoru s temperaturo nad 5°C .

SERVIS IN VZDRŽEVANJE

ČIŠČENJE FILTRIRNEGA SKLOPA

Filtrirni sklop redno čistite, da se filtri ne zamašijo in da odpadna voda pravilno odteka.

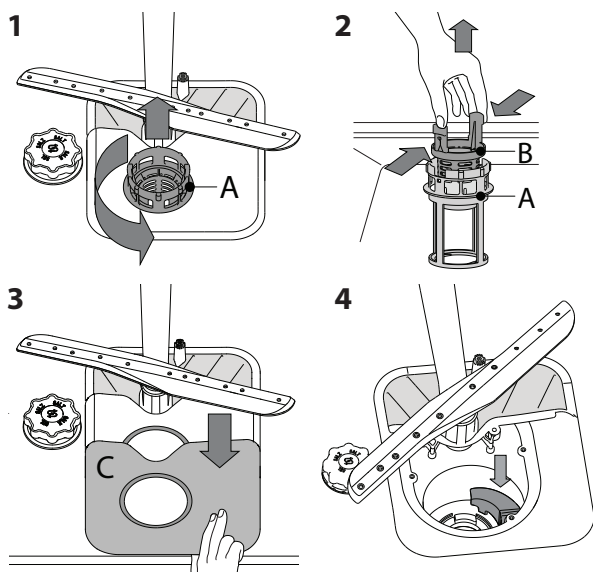
Uporaba pomivalnega stroja z zamašenimi filtri ali tujki znotraj filtracijskega sistema ali pršilnih rok lahko povzroči okvaro aparata, kar se kaže v izgubi učinkovitosti, hrupnem delovanju ali višjo porabo virov.

Filtrirni sklop je sestavljen iz treh filtrov, ki iz pomivalne vode odstranjujejo ostanke hrane in vodo ponovno usmerijo v aparat: za doseg najboljših rezultatov pri pomivanju morajo biti filtri čisti.

Pomivalnega stroja ni dovoljeno uporabljati brez filtrov ali z nepripravljenimi filtri.

Vsaj enkrat na mesec ali po vsakih 30 ciklih preverite sklop filtra in ga po potrebi temeljito očistite pod tekočo vodo in z nekovinsko krtačko, pri čemer upoštevajte spodnja navodila:

1. Cilindrični filter **A** zavrtite v nasprotni smeri urnega kazalca in ga izvlecite (Slika 1).
2. Odstranite mrežico filtra **B** tako, da nekoliko stisnete stranska jezička (Slika 2).
3. Izvlecite ploščo iz nerjavnega jekla za filter **C** (Slika 3).
4. V primeru, da najdete tujke (kot so razbito steklo, porcelan, kosti, sadna semena itd.), **jih previdno odstranite**.
5. Preglejte mrežico in iz nje odstranite ostanke hrane. **NIKOLI NE ODSTRANITE** zaščitne črpalke pri pomivanju (na sliki je počrtnjena) (Slika 4).



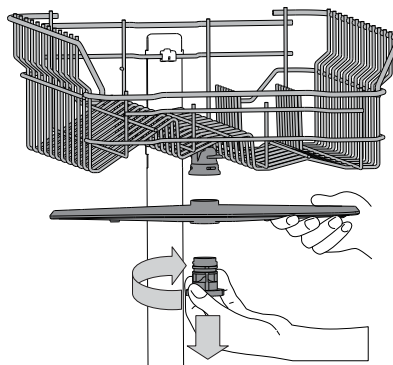
Ko ste očistili filtre, filtrirni sklop znova sestavite in ga pritrdite v pravi položaj. Ta postopek je ključnega pomena pri vzdrževanju brezhibnega delovanja pomivalnega stroja.

ČIŠČENJE DOVODNE CEVI ZA VODO

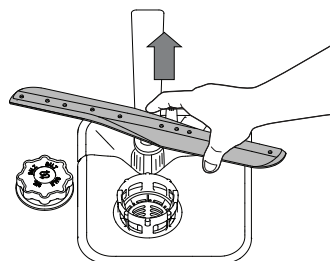
Če so vodovodne cevi nove ali pa jih dalj časa niste uporabljali, naj pred priključitvijo voda najprej nekaj časa teče. Tako se boste lahko prepričali, da je čista in da v njej ni nečistoč. Če tega ne storite, se lahko dovod vode zamaši, kar pripelje do poškodb pomivalnega stroja.

ČIŠČENJE PRŠILNIH ROK

Občasno se lahko na pršilnih rokah naberejo ostanke hrane in zamašijo luknjice, iz katerih brizga voda. Zato priporočamo, da roke od časa do časa preverite in jih očistite z majhno nekovinsko krtačko.



Da odstranite zgornjo pršilno roko, zavrtite plastični pritrdilni obroč v smeri urnega kazalca. Zgornjo pršilno roko znova namestite tako, da je stran z več luknjicami obrnjena navzgor.



Spodnjo pršilno roko odstranite tako, da jo potegnete navzgor.

SISTEM ZA MEHČANJE VODE

Sistem za mehčanje vode samodejno zmanjša trdoto vode, kar preprečuje kopičenje oblog na grelniku in prispeva k večji učinkovitosti pomivanja.

Ta sistem se obnovi z regeneracijsko soljo, zato morate poskrbeti, da je posoda za sol napolnjena.

Pogostost regeneracije je odvisna od nastavitve stopnje trdote vode – regeneracija poteka enkrat na 6 Eko ciklov, pri čemer je stopnja trdote vode nastavljena na 3.

Postopek regeneracije se začne s končnim izpiranjem in konča s fazo sušenja, preden se cikel konča.

- Posamezna regeneracija porabi: ~3,5 l vode;
- Cikel traja do 5 minut dlje;
- Porabi manj kot 0,005 kWh električne energije.

ODPRAVLJANJE TEŽAV

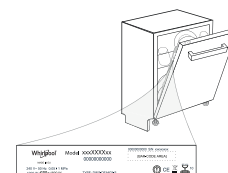
V primeru, da vaš pomivalni stroj ne deluje pravilno, preverite, ali lahko težavo odpravite s spodnjimi nasveti. Za druge napake ali težave se obrnite na pooblaščen servisno službo. Kontaktné podatke najdete v garancijski knjižici. Nadomestni deli bodo na voljo za obdobje do 7 ali do 10 let, v skladu s posebnimi zahtevami uredbe.

TEŽAVE	MOREBITNI VZROKI	REŠITVE
Pomivalni stroj se ne zažene oz. se ne odziva na ukaze.	Aparat ni ustrezno priključen na električno omrežje.	Vtaknite vtič v vtičnico.
	Izpad električne energije	Iz varnostnih razlogov se pomivalni stroj ne bo samodejno ponovno zagnal, ko je napajanje znova vzpostavljeno. Odprite vrata pomivalnega stroja, pritisnite tipko ZAGON/Premor in v 4 sekundah zaprite vrata.
	Vrata pomivalnega stroja niso zaprta. Zatič <i>ActiveDry</i> ni uvlečen.	Na vrata močneje pritisnite, da zaslišite „klik“.
	Cikel se prekine, če so vrata odprta za več kot 4 sekunde.	Pritisnite ZAGON/Premor in zaprite vrata v 4 sekundah.
Voda ne odteka iz pomivalnega stroja.	Aparat se ne odziva na ukaze.	Izklopite aparat s pritiskom na tipko za VKLOP/IZKLOP , ga po približno eni minuti znova vklopite in znova zaženite program. Če težava ni odpravljena, aparat izklopite za 1 minuto in ga znova priključite.
	Pomivanje se še ni zaključilo.	Počakajte, da se pomivanje zaključi.
	Odtočna cev je upognjena.	Preverite, da odtočna cev ni upognjena (glejte NAVODILA ZA NASTAVITEV).
	Odtočna cev v koritu je zamašena.	Očistite odtočno cev v koritu.
Iz pomivalnega stroja se slišijo glasni zvoki.	Ostanki hrane so zamašili filter.	Očistite filter (glejte ČIŠČENJE FILTRIRNEGA SKLOPA).
	Posode se dotikajo ena druge in povzročajo zvoke.	Pravilno naložite posodo (glejte NALAGANJE KOŠAR).
Posoda ni čista.	Nastaja prekomerna količina pene.	Pomivalnega sredstva niste pravilno odmerili ali pa pomivalno sredstvo ni primerno za strojno pomivanje posode (glejte POLNJENJE PREKATA ZA POMIVALNO SREDSTVO). Znova zaženite trenutni program, tako da izklopite pomivalni stroj, ga spet vklopite, izberete nov program, pritisnete tipko Zagon/Premor (zagon/premor) in zaprete vrata v roku 4 sekund. Ne dodajajte pomivalnega sredstva.
	Posode niste pravilno razporedili.	Pravilno naložite posodo (glejte NALAGANJE KOŠAR).
	Pršilne roke se ne morejo prosto vrteti, saj jih ovira posoda.	Pravilno naložite posodo (glejte NALAGANJE KOŠAR).
	Program pomivanja ni dovolj močan.	Izberite primeren program pomivanja (glejte PROGRAMSKO TABELO).
	Nastaja prekomerna količina pene.	Pomivalnega sredstva niste pravilno odmerili ali pa pomivalno sredstvo ni primerno za strojno pomivanje posode (glejte POLNJENJE PREKATA ZA POMIVALNO SREDSTVO).
	Pokrovček posode za tekočino za lesk ni ustrezno zaprt.	Zaprite pokrovček posode za tekočino za lesk.
V pomivalni stroj ne doteka voda.	Umazan ali zamašen filter	Očistite filtrirni sklop (glejte NEGA IN VZDRŽEVANJE).
	V aparatu ni soli.	Napolnite posodo s soljo (glejte POLNJENJE POSODE ZA SOL).
	Prazen dovod vode ali zaprta vodovodna pipa.	Prepričajte se, da v aparat doteka voda in da je vodovodna pipa odprta.
Vse LED-lučki hitro utripata	Dovodna cev je upognjena.	Prepričajte se, da dovodna cev ni upognjena (glejte NAMESTITEV) ponastavite program pomivanja in stroj znova zaženite.
	Cedilo dovodne cevi za vodo je zamašeno; Očistite ga	Ko ste preverili in očistili cedilo, pomivalni stroj izklopite in vklopite ter zaženite nov program.
Pomivalni stroj predčasno zaključí cikel.	Odtočna cev je postavljena prenizko ali odliva v domači kanalizacijski sistem.	Preverite, če je konec odtočne cevi nameščen na ustrezni višini (glejte NAMESTITEV). Preverite odlivanje v domači kanalizacijski sistem in po potrebi namestite ventil za vstop zraka.
	Zrak v dovodu vode	Preverite dovod vode ali druge težave, ki povzročajo puščanje zraka v notranjost.
Puščanje detergenta.	Je odvisno od uporabljenega tekočega detergenta in je lahko opaznejše v primeru vklopa možnosti zakasnitve.	Manjša puščanja ne bodo povzročila okvare stroja, izognete pa se jim lahko z zamenjavo vrste tekočega detergenta ali uporabo tablet.

Pravila uporabe, standardna dokumentacija, naročanje nadomestnih delov in dodatne informacije o izdelkih so na voljo:

- Uporabite kodo QR na svojem izdelku.
- Z obiskom naših spletnih strani docs.hotpoint.eu in parts-selfservice.europeanappliances.com
- **Obrnete se lahko tudi na našo servisno službo** (telefonske številke so navedene v servisni knjižici). Ko stopite v stik z našo servisno službo, navedite kodo, ki so zapisane na identifikacijski ploščici izdelka.

Podatke o modelu je mogoče pridobiti s kodo QR na energijski nalepki. Na nalepki je prav tako identifikator modela, ki ga lahko uporabite za preverjanje podatkov na portalu za registracijo <https://eprel.ec.europa.eu>.



Hotpoint

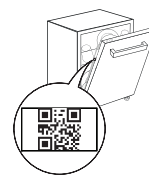
ARISTON

UDHËZUESI PËR PËRDORIMIN E PËRDITSHËM



FALEMINDERIT QË KENI BLERË PRODUKTIN HOTPOINT ARISTON.
Për të marrë mbështetjen më të plotë, ju lutemi të regjistroheni në:
www.hotpoint.eu/register

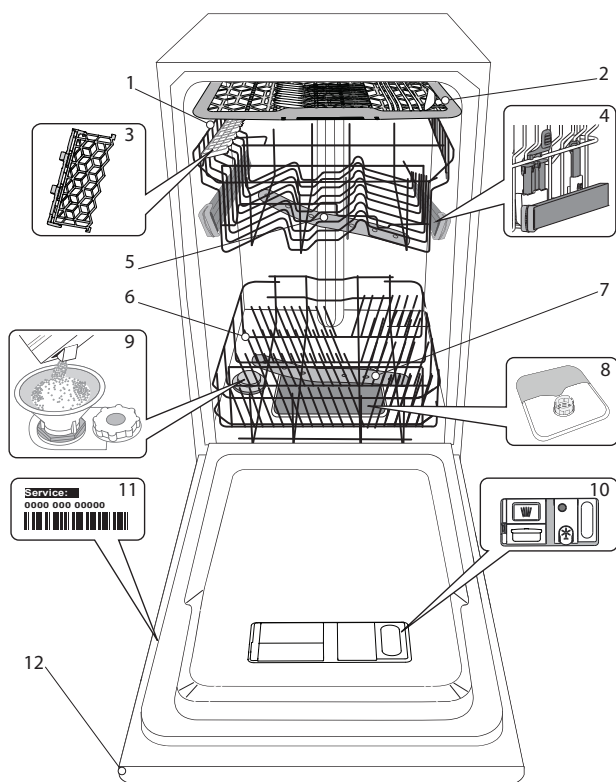
**JU LUTEMI TË
SKANONI KODIN QR NË
PRODUKTIN TUAJ PËR TË
MARRË INFORMACIONET
MË TË DETAJUARA**



Para se të përdorni këtë pajisje lexoni Udhëzimin për shëndetin dhe sigurinë.
Pas instalimit, mos harroni të hiqni gjithë pjesët mbrojtëse të transportit nga enëlarësja.

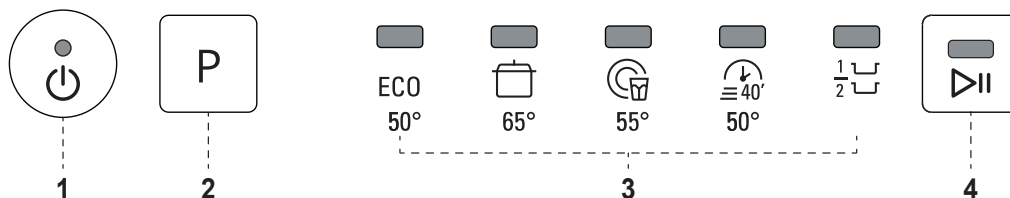
PËRSHKRIMI I PRODUKTIT

PAJISJA



1. Rafti i sipërm
2. Rafti i takëmeve
3. Krahët e palosshëm
4. Rregullimi i lartësisë së raftit të sipërm
5. Spërkatësja e sipërme
6. Rafti i poshtëm
7. Spërkatësja e poshtme
8. Sistemi i filtrave
9. Kutia e kripës
10. Detergjenti dhe kutia e mjetit për shpëlarje
11. Pllakëza identifikuese
12. Paneli i kontrollit

PANELI I KONTROLLIT



1. ON-OFF / Butoni i rivendosjes me dritën treguese
2. Butoni për zgjedhjen e programit me dritën treguese
3. Treguesi i programit po ndriçon
4. Butoni Fillim/Pushim me dritën treguese

Hotpoint

ARISTON

PËRDORIMI I PARË I PAJISJES KRIPË, MJET PËR SHPËLARJE DHE DETERGJENT

REKOMANDIMET NË LIDHJE ME PËRDORIMIN E PARË

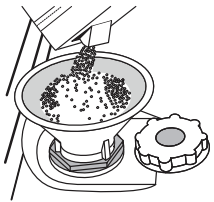
Pas instalimit, hiqni kapakët nga raftet dhe elementet shtrënguese elastike nga rafti i sipërm.

MBUSHJA E KUTISË SË KRIPËS

Përdorimi i kripës parandalon formimin e GËLQERES në enët dhe komponentët funksionalë të makinës.

- **KUTIA E KRIPËS NUK DUHET** të jetë **I ZBRAZËT KURRË**.
- Është e rëndësishme të rregulloni fortësinë e ujit.

Kutia e kripës gjendet në pjesën e poshtme të enëlarësës (shihni PËRSHKRIMIN E PRODUKTIT) dhe duhet të mbushet kur nuk mund të shihet më pluskuesi jeshil në kapakun e kutisë së kripës.



1. Hiqni raftin e poshtëm dhe zhvendosni kapakun e kutisë (në drejtim të kundërt të akrepave të sahatit).
2. **Kur e bëni këtë vetëm për herë të parë: mbushni me ujë kutinë e kripës.**
3. Vendosni hinkën (shihni imazhin) dhe mbushni kutinë e kripës deri në buzën e tij (përafërsisht 1 kg); nuk është e pazakonshme nëse rrjedh pak ujë.
4. Hiqni hinkën dhe fshini të gjitha pjesët e mbetura të kripës.

Sigurohuni se është vidhosur fort kapaku në mënyrë që detergjenti të mos hyjë brenda gjatë programit të larjes (kjo mund të dëmtojë përherë zbutësin e ujit).

Sa herë që duhet të shtoni kripën, procedura duhet të mbarohet detyrimisht para fillimit të ciklit të larjes me qëllim që të shmanget gërryerja.

KONFIGURIMI I FORTËSISË SË UJIT

Në mënyrë që zbutësi i ujit të punojë pa gabim, është e domosdoshme që konfigurimi i fortësisë së ujit të bazohet mbi fortësinë reale të ujit në shtëpinë tuaj. Këto informacione mund t'i merrni nga furnizuesi juaj lokal i ujit.

Fabrika vendos vlerën fillestare të fortësisë së ujit.

- Ndizni pajisjen duke shtypur butonin **ON/OFF**.
- Fikni pajisjen duke shtypur butonin **ON/OFF**.
- Mbani të shtypur për 5 sekonda butonin **P**, derisa të dëgjoni një sinjal zanor.
- Ndizni pajisjen duke shtypur butonin **ON/OFF**.
- Llambushka e treguesit të programit në nivelin aktual të caktuar vezullon.
- Shtypni butonin **P** për të zgjedhur nivelin e dëshiruar të fortësisë (shihni TABELËN E FORTËSISË SË UJIT).

Tabela e fortësisë së ujit					
Niveli			°dH Shkalla gjermane	°fH Shkalla franceze	°Clark Shkalla angleze
1	ECO	E butë	0 - 6	0 - 10	0 - 7
2		E mesme	7 - 11	11 - 20	8 - 14
3		Mesatare	12 - 16	21 - 29	15 - 20
4		E fortë	17 - 34	30 - 60	21 - 42
5		Shumë e fortë	35 - 50	61 - 90	43 - 62

- Fikni pajisjen duke shtypur butonin **ON/OFF**.

Konfigurimi ka përfunduar!

Kur të përfundojë kjo procedurë, nisni menjëherë programin.

Përdorni vetëm kripën që është krijuar veçanërisht për enëlarëset.

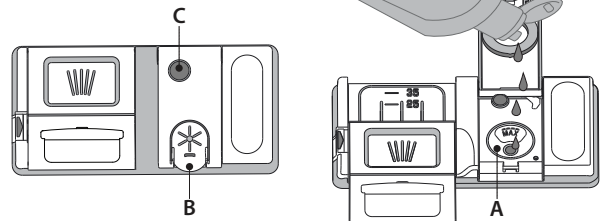
Pasi është vendosur kripa në enëlarësen, do të fiket drita treguese e RIMBUSHJES SË KRIPËS.

Nëse nuk është mbushur kutia e kripës, zbutësi i ujit dhe elementi ngrohës mund të dëmtohen si pasojë e grumbullimit të gëlqeres.

Përdorimi i kripës rekomandohet me cilindo lloj të detergjentit për enëlarëset.

MBUSHJA E KUTISË SË MJETIT PËR SHPËLARJE

Mjeti për shpëlarje lehtëson THARJEN e enëve. Kutia e mjetit për shpëlarje **A** duhet të mbushet kur të bëhet i tejdukshëm treguesi i errët optik në derën e kutisë **C**.



1. Hapni kutinë **B** duke shtypur dhe tërhequr lart skedën në kapak.
 2. Dërdhni mjetin për shpëlarje (maks. 110 ml), duke kujdesur që të mos dalë jashtë shtratit të kutisë. Nëse ndodh kjo, fshini menjëherë këtë me një leckë të thatë.
 3. Për të mbyllur kapakun, shtypni atë poshtë derisa të dëgjoni një klik.
- Mos vendosni KURRË mjetin për shpëlarje drejtpërdrejt në pajisjen.**

KONFIGURIMI I DOZËS SË MJETIT PËR SHPËLARJE

Nëse nuk jeni plotësisht të kënaqur me rezultatet e tharjes, mund të konfiguroni sasinë e mjetit për shpëlarje.

- Ndizni enëlarësen duke shtypur butonin **ON/OFF**.
- Fikni enëlarësen duke shtypur butonin **ON/OFF**.
- Shtypni tri herë butonin **P** - do të dëgjohet një sinjal zanor.
- Ndizni enëlarësen duke shtypur butonin **ON/OFF**.
- Llambushka e treguesit të programit në nivelin aktual të caktuar vezullon.
- Shtypni butonin **P** për të zgjedhur nivelin e sasisë së mjetit për shpëlarje.
- Fikeni atë duke shtypur butonin **ON/OFF**.

Konfigurimi ka përfunduar!

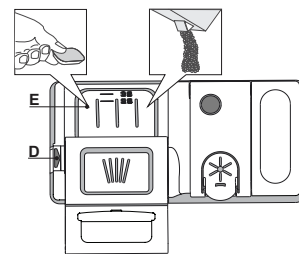
Nëse është konfiguruar në ZERO nivelin e mjetit për shpëlarje, nuk do të përdoret asnjë mjet për shpëlarje. Drita treguese RIMBUSHJA E MJETIT PËR SHPËLARJE nuk do të ndriçojë nëse ju mungon mjeti për shpëlarje. Varësisht nga modeli i enëlarësës mund të konfigurohen jo më shumë se 5 nivele. Konfigurimi fillestar është specifik për modelin, ju lutemi që të ndiqni udhëzimet e sipërme për ta kontrolluar këtë lidhur me enëlarësen tuaj.

- Nëse shihni vija blu në enët, konfiguroni numrin më të ulët (2-3).
- Nëse ka pika uji ose shenja gëlqereje në enët, konfiguroni numrin e mesëm (4-5).

MBUSHJA E KUTISË SË DETERGJENTIT

Për të hapur kutinë e detergjentit përdorni hapësen D.

Vendosni detergjentin vetëm në kutinë E. Vendosni sasinë e detergjentit për paralarje drejtpërdrejt në pajisjen.




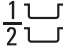


1. Kur matni sasinë e detergjentit merrni parasysh informacionet e përmendura më herët për të shtuar sasinë e përshtatshme. Brenda kutisë **E** gjenden informacionet që ndihmojnë në dozimin e detergjentit.
2. Hiqni pjesët e mbetura të detergjentit nga buzët e kutisë dhe mbyllni kapakun derisa të dëgjohet një klik.
3. Mbyllni kapakun e kutisë së detergjentit duke e tërhequr lart derisa të fiksohet mirë mbyllësja.

Kutia e detergjentit hapet automatikisht në kohën e duhur në përputhje me programin.

Përdorimi i detergjentit i cili nuk është i destinuar për përdorim në enëlarëset mund të shkaktojë ose të dëmtojë pajisjen.

TABELA E PROGRAMEVE

Programi	Faza e tharjes	ActiveDry [®]	Kohëzgjatja e programit të larjes (o:min)**)	Konsumi i ujit (litra/cikël)	Konsumi i energjisë (kWh/cikël)
1 Eco	ECO 50°	✓	3:35	8.7	0.72
2 Intensiv	 65°	✓	2:45	17.5	1.60
3 Përzierave	 55°	✓	2:30	15.0	1.30
4 Shpejtë 40'	 50°	-	0:40	9.0	0.70
5 Gjysma e Ngarkesës	 55°	✓	1:20	11.0	1.00

Të dhënat e programit ECO maten nën kushte laboratorike në përputhje me Standardin Evropian EN 60436:2020.

Shënimi për laboratorët e testimit:

Për informacionet rreth kushteve të testimit krahasues EN, ju lutemi të dërgoni një e-mail në adresën e mëposhtme: dw_test_support@europeanappliances.com

Para përdorimit të një programi nuk është i nevojshëm trajtimi paraprak i enëve.

*) Porta hapet përpara përfundimit të programit. Kjo përmirëson efikasitetin e tharjes. Prisni derisa cikli të përfundojë dhe të dëgjoni sinjalin zanor përpara se të zbrazni enëlarësen.

**) Vlerat e dhëna për programet përveç programit ECO janë vetëm me karakter tregues. Koha reale mund të variojë nga shumë faktorë siç janë temperatura dhe presioni i ujit, temperatura e dhomës, sasia e detergjentit, sasia dhe lloji i enëve, balancimi i ngarkesës, opsionet shtesë dhe kalibrimi i sensorit. Kalibrimi i sensorit mund të rrisë kohëzgjatjen e programit deri në 20 min.

PËRSHKRIMI I PROGRAMEVE

Udhëzimi për zgjedhjen e ciklit të larjes.

1 ECO

Programi Eco është i përshtatshëm për larjen e enëve mesatarisht të pista, dhe për këtë qëllim ky është programi më efikas nga pikëpamja e konsumit të energjisë dhe ujit dhe duhet të përdoret për vlerësimin e përputhshmërisë me rregullat e BE-së për dizajnin ekologjik.

2 INTENSIV

Ky program rekomandohet për enët shumë të pista, veçanërisht për tiganët dhe tenxheret (mos e përdorni për enët delikate).

3 PËRZIERAVE

Papastërtia e përzier. Për enët mesatarisht të pista me pjesët e mbetura të thara të ushqimit.

4 SHPEJTË 40'

Ky program përdoret për gjysmën e ngarkesës së enëve pak të pista pa pjesë të mbetura të thara të ushqimit. Nuk ka fazën e tharjes.

5 GJYSMA E NGARKESËS

Ideale për të larë një gjysmë ngarkese enësh të ndotura lehtë ose normalisht.

Shënimet:

Kini parasysh se cikli *Shpejtë 40'* është i destinuar për enët pak të pista.

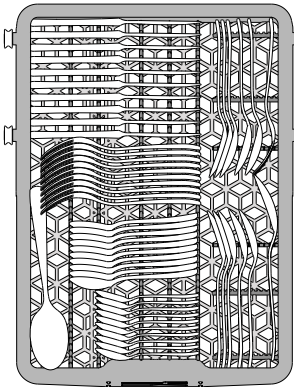
OPSIONET DHE FUNKSIONET

ActiveDry është një sistem tharjeje me konveksion, e cila e hap derën automatikisht gjatë/pas fazës së tharjes, për të garantuar rezultate të shkëlqyera të tharjes çdo ditë. Dera hapet kur temperatura është e sigurt për mobilitet e kuzhinës.

Si mbrojtje shtesë me avull, fleta mbrojtëse e projektuar posaçërisht, shtohet bashkë me pjatlarësin. Për të parë se si montohet fleta mbrojtëse, ju lutem referojuni (UDHËZUESIT TË INSTALIMIT).

NGARKIMI I RAFTEVE

RAFTI I TAKËMEVE



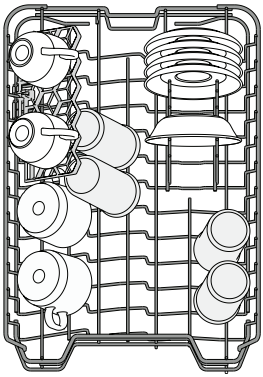
Rafti i tretë është caktuar për të mbajtur takëmet.

Vendosini takëmet si tregohet në figurë.

Një vendosja e ndarë e takëmeve bën më të lehtë mbledhjen pas larjes dhe përmirëson larjen dhe tharjen.

Thikat dhe takëmet e tjera me tehe të mprehta duhet të vendosen me tehe nga poshtë.

RAFTI I SIPËRM



Vendosni enët delikate dhe të lehta: gotat, kupat, tabakatë, enët e cekëta për sallatë.

(shembulli i ngarkimit të raftit të sipërm)

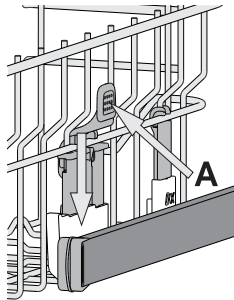
RREGULLIMI I LARTËSISË SË RAFTIT TË SIPËRM

Lartësia e raftit të sipërm mund të rregullohet: pozita e lartë për vendosjen e enëve të mëdha në shportat e poshtme dhe pozita e ulët për përdorimin maksimal të mbajtësve lëvizës, duke krijuar më shumë hapësirë lart dhe duke shmangur përplasjen e enëve nga rafti i poshtëm.

Rafti i sipërm ka **Rregullimin e lartësisë** së raftit të sipërm (shihni imazhin), pa shtypur dorezat, ngrijeni atë duke mbajtur raftin nga një anë, sapo të vendoset rafti në mënyrë të qëndrueshme në pozitën më të lartë. Për ta kthyer në pozitën më të ulët, shtypni dorezat (A) të cilat gjenden në anët e raftit dhe lëvizni shportën poshtë.

Ju rekomandojmë që të mos rregulloni lartësinë e raftit të mbushur.

KURRË mos ngrini o zbritni shportën vetëm në një anë.



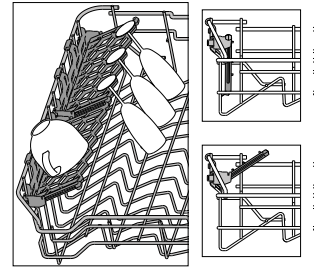
KRAHËT E PALOSSHËM ME POZITËN E RREGULLUESHME

Krahët e palosshëm mund t'i palosni ose shpalosni dhe kështu mund optimizoni vendosjen e enëve brenda raftit. Gotat e verës mund të vendosen në mënyrë të sigurt në krahët e palosshëm duke futur çdo gotë në vrimën përkatëse.

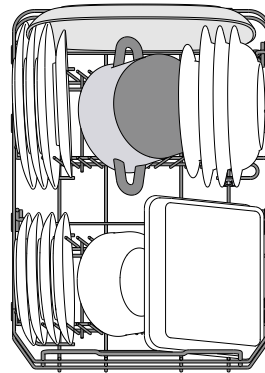
Kur rafti i sipërm është në lart, fletët nuk mund të qëndrojnë në pozicionin vertikal.

Varësisht nga modeli:

- për të shpalosur krahët, duhet t'i shtypni lart dhe t'i rrotulloni ose t'i ndani nga mbajtësit dhe t'i zbritni poshtë.
- për të palosur krahët, duhet t'i rrotulloni dhe t'i shtypni poshtë ose lart, dhe t'i varni për mbajtësit.



RAFTI I POSHTËM



Për tenxheret, mbulesat, pjatat, enët për sallatë, pajisjet për ngrënie etj. Pjatat e mëdha dhe mbulesat duhet të vendosen në anë me qëllim që të shmangen pengesat me spërkatësit.

(shembulli i ngarkimit të raftit të poshtëm)

PËRDORIMI I PËRDITSHËM

1. KONTROLLONI LIDHJEN ME RRJETIN E UJIT

Kontrolloni nëse është lidhur enëlarësja me ujësjellësin dhe nëse është hapur rubineti.

2. NDIZNI ENËLARËSEN

Hapni derën dhe shtypni butonin **ON/OFF**.

3. NGARKONI RAFTET

(shihni **NGARKIMIN I RAFTEVE**)

4. MBUSHJA E KUTISË SË DETERGJENTIT

5. ZGJIDHNI PROGRAMIN DHE KONFIGURONI CIKLIN

Zgjidhni programin më të përshtatshëm në përputhje me llojin e enëve dhe nivelin e papastërtisë (*shihni PËRSHKRIMIN E PROGRAMIT*) duke shtypur butonin **P**. Zgjidhni opsionin e dëshiruar (*shihni OPSIONET DHE FUNKSIONET*).

6. FILLIM

Nisni ciklin e larjes duke shtypur butonin **FILLIM/Pushim** (drita LED është ndezur) dhe mbyllni derën brenda 4 sekondave. Kur fillon programi, do të dëgjoni një sinjal zanor. Nëse nuk mbyllni derën brenda 4 sekondave do të dëgjohet alarmi. Në këtë rast, hapni derën, shtypni butonin **FILLIM/Pushim** dhe mbyllni derën përsëri brenda 4 sekondave.

7. PËRFUNDIMI I CIKLIT TË LARJES

Pas përfundimit të ciklit të larjes do të dëgjohet një sinjal zanor dhe do të pulsojë në ekran numri i ciklave të larjes. Hapni derën dhe fikni pajisjen duke shtypur butonin **ON/OFF**.

Pritni disa minuta para se të nxirrni enët me qëllim që të shmangni djegiet. Zbrazni raftet, duke filluar nga rafti i poshtëm.

Enëlarësja do të fiket automatikisht gjatë periudhave të gjata të mospërdorimit me qëllim që të ulët konsumi i energjisë elektrike. Nëse enët janë vetëm pak të pista ose janë shpëlarë me ujë para se t'i vendosni në enëlarësen, ulni sasinë e detergjentit të përdorur.

NDRYSHIMI I PROGRAMIT AKTUAL

Nëse keni zgjedhur një program të gabuar, mund ta ndryshoni, me kusht që sapo ka filluar: hapni derën, shtypni dhe mbani të shtypur butonin **ON/OFF**, enëlarësja do të fiket. Ndizni përsëri enëlarësen duke shtypur butonin **ON/OFF** dhe zgjidhni ciklin e ri të larjes dhe opsionet e tjera të dëshiruara; Nisni ciklin e ri duke shtypur butonin **FILLIM/Pushim** dhe duke mbyllur derën brenda 4 sekondave.

SHTIMI I ENËVE SHITESË

Pa fikur enëlarësen, hapni derën (drita LED **FILLIMI/Pushim** fillon të pulsojë) (**kini kujdes nga avulli I NXEHTË!**) dhe vendosni enët në enëlarësen. Shtypni butonin **FILLIM/Pushim** dhe mbyllni derën brenda 4 sekondave, cikli do të vazhdojë nga momenti i ndërprerjes.

NDËRPRERJET E RASTËSISHTME

Nëse dera mbetet e hapur gjatë ciklit të larjes ose nëse ndodh një ndërprerje e energjisë elektrike, cikli do të ndalet. Shtypni butonin **FILLIM/Pushim** dhe mbyllni derën brenda 4 sekondave, cikli do të vazhdojë nga momenti i ndërprerjes.

KËSHILLAT DHE REKOMANDIMET

REKOMANDIMET

Para se të ngarkoni shportat, hiqni të gjitha pjesët e mbetura të ushqimit nga enët dhe zbrazni gotat. Nuk ka nevojë që ta shpëlani paraprakisht me ujë të rrjedhshëm.

Vendosni enët në mënyrë që të qëndrojnë fort në vend dhe që të mos rrëshqasin; vendosni enët me vrimat e kthyer nga poshtë, vendosni pjerrtas pjesët e thelluara/dala, në mënyrë që uji të arrijë të gjitha sipërfaqet dhe të rrjedhë lirisht.

Paralajmërimi: mbulesat, dorezat, tabakatë dhe tiganët nuk parandalojnë rrotullimin e spërkatësve.

Vendosni të gjitha enët e vogla në shportën e takëmit për ngrënie.

Enët shumë të pista dhe tenxheret duhet t'i vendosni në shportën e poshtme sepse spërkatësit janë më të fortë në këtë pjesë dhe ofrojnë performanca më të mira të larjes.

Pasi keni ngarkuar pajisjen, kini kujdes që spërkatësit të rrotullohen lirisht.

ENËT E PAPËRSHTATSHME

- Enët dhe takëmi për ngrënie prej druri.
 - Gotat dekorative delikate, zejtaritë artistike dhe enët antike. Dekorimi i tyre nuk është rezistent.
 - Pjesët prej materiali sintetik nuk durojnë temperatura të larta.
 - Enët prej bakri dhe kallaji.
 - Enët e pista nga pluhuri, dylli, yndyra për lyerje ose boja e shkrimit.
- Ngjyrat e dekorimeve qelqore dhe pjesëve prej alumini/argjendi mund të ndryshohen dhe të zbehën gjatë procesit të larjes. Disa lloje të qelqit (psh. sendet prej kristali) mund të turbullohen pas një numri të caktuar të ciklave të larjes.

DËMTIMI I GOTAVE DHE ENËVE

- Përdorni vetëm gotat dhe enët prej porcelani për të cilat prodhuesi garanton se mund të lahen në enëlarësen.
- Përdorni një detergjent të butë për enët.
- Sapo të përfundohet cikli i larjes mblidhni gotat dhe enët nga enëlarësja.

KËSHILLAT PËR KURSIMIN E ENERGJISË

- Kur enëlarësja përdoret në përputhje me udhëzimet e prodhuesit, **larja e enëve në enëlarësen zakonisht konsumon më pak energji dhe ujë sesa larja me dorë.**
 - Për të rritur efikasitetin e enëlarëses, ju rekomandojmë që të **nisni ciklin e larjes kur të ngarkohet plotësisht enëlarësja.** Ngarkimi i enëlarëses deri në kapacitetin e caktuar nga prodhuesi do të kontribuojë në kursimin e energjisë dhe ujit. Informacionet rreth ngarkimit të rregullt të enëve mund t'i gjeni në kapitullin **NGARKIMI I RAFTEVE**.
- Në rast të ngarkimit të pjesshëm, rekomandohet përdorimi i opsionit të përshtatshëm të larjes, nëse ekzistojnë (Half load/Zone Wash/Multizone), duke ngarkuar vetëm raftet e zgjedhura. Ngarkimi i parregullt ose mbingarkimi i enëlarëses mund të rrisë konsumin e resurseve (siç janë ujë, energji elektrike dhe kohë, si edhe nivelin e zhurmës), duke ulur performancat e pastrimit dhe tharjes.
- Shpëlarja paraprake me dorë e enëve shkakton konsumin e shtuar të ujit dhe energjisë elektrike dhe nuk rekomandohet.

HIGJIENA

Për të shmangur krijimin e aromave të pakëndshme dhe depozitave në enëlarësen, **ndizni të paktën një herë në muaj programin me temperaturën e lartë.** Përdorni një lugë çaji të detergjentit dhe ndizni programin pa vendosur enët për të pastruar pajisjen.

REZISTENCA NDAJ NGRIRJES

Nëse pajisja vendoset në vende të ekspozuara ndaj rrezikut të ngrirjes, ajo **duhet shkarkuar plotësisht.** Mbyllni rubinetin e ujit, hiqni tubat e hyrjes së ujit dhe të shkarkimit dhe derdhni gjithë ujin. **Sigurohuni që zbutësi i ujit të jetë plot me kripë rigjeneruese të tretur në depozitën e kripës,** për ta mbrojtur pajisjen nga temperaturat deri në -20°C.

Nëse pajisja është ruajtur në kushte ngrirjeje, ajo duhet të qëndrojë në temperaturë ambiente prej të paktën 5°C për të **paktën 24 orë** përpara përdorimit për herë të parë.

KUJDESI DHE MIRËMBAJTJA

PASTRIMI I SISTEMIT TË FILTRAVE

Pastroni rregullisht filtrat që të mos bllokohen dhe që ujërat e zeza të shkarkohen në mënyrë të rregullt.

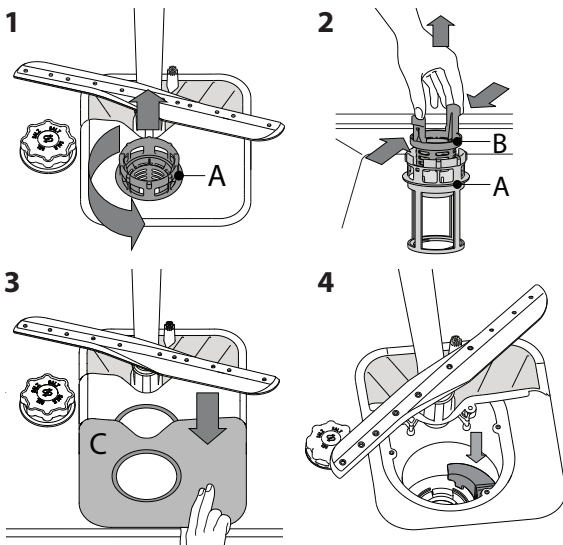
Përdorimi i enëlarësës me filtrat e bllokuar ose sendet e huaja brenda sistemit të filtrimit ose spërkatësve mund të shkaktojë prishjen e pajisjes dhe të rezultojë me humbjen e performancave, punën e zhurmshme ose konsumin më të lartë të resurseve.

Sistemi i filtrave përbëhet prej tre filtrash të cilët heqin pjesët e mbetura të ushqimit nga uji për larje dhe mundësojnë riqarkullimin e ujit.

Enëlarësja nuk duhet të përdoret pa filtra ose në raste kur filtri është i lirshëm.

Kontrolloni sistemin e filtrave të paktën një herë në muaj ose pas çdo 30 ciklave, dhe nëse ka nevojë pastrojeni atë hollësisht me ujë, duke përdorur furçën jometalike dhe duke ndjekur udhëzimet e mëposhtme:

1. Rrotulloni filtrin cilindrik **A** në drejtim të kundërt të akrepave të sahatit dhe nxirreni jashtë atë (imazhi 1).
2. Hiqni filtrin konik **B** duke shtypur lehtë krahët anësorë (imazhi 2).
3. Nxirrni filtrin e sheshtë prej çeliku të pandryshkshëm **C** (imazhi 3).
4. Nëse gjeni ndonjë send të huaj (siç janë qelq i thyer, porcelan, kocka, fara frutash etj.) **hiqini ata me kujdes**.
5. Kontrolloni filtrat dhe hiqni të gjitha pjesët e mbetura të ushqimit. **KURRË MOS HIQNI** mbrojtjen e pompës për ciklin e larjes (pjesa e zezë) (imazhi 4).



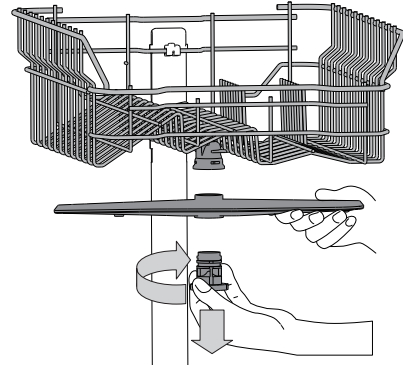
Pas pastrimit të filtrit, rivendosni filtrat dhe shtrëngojeni në mënyrë të rregullt; kjo është e nevojshme për punën efektive të enëlarësës.

PASTRIMI I ZORRËS SË FURNIZIMIT ME UJË

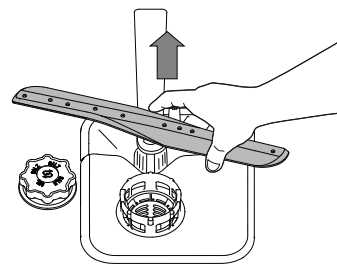
Nëse zorrët e ujit janë të reja ose nuk janë përdorur për një periudhë të gjatë, lini që uji të kalojë nëpër to me qëllim që të siguroheni se janë të pastra dhe të pastrohen nga papastërtitë para se të lidhen. Nëse nuk bëni këtë masë paraprake, furnizimi me ujë mund të bllokohet dhe të dëmtojë enëlarësen.

PASTRIMI I SPËRKATËSVE

Kohë pas kohe, pjesët e mbetura të ushqimit mund të thahen në spërkatësit dhe në këtë mënyrë bllokohen vrimat që përdoren për spërkatjen e ujit. Prandaj ju rekomandojmë që të kontrolloni periodikisht spërkatësit dhe t'i pastroni me një furçë të vogël jometalike.



Për të hequr spërkatësin e sipërm, rrotulloni unazën plastike bllokuese në drejtim të kundërt të akrepave të sahatit. Spërkatësi i sipërm duhet të zëvendësohet në mënyrë që ana me më shumë vrima të kthehet nga lart.



Mund të hiqni spërkatësin e poshtëm duke e tërhequr lart.

SISTEMI I ZBUTJES SË UJIT

Zbutësi i ujit ul automatikisht fortësinë e ujit duke parandaluar grumbullimin e gëlqeres në ngrohësin, dhe gjithashtu kontribuon në efikasitetin më të mirë të pastrimit.

Ky sistem vetë-rigenerohet me kripë, dhe prandaj duhet të mbushni kutinë e kripës kur është e zbrazët.

Shpeshësia e rigjenerimit varet nga konfigurimi i nivelit të fortësisë së ujit. Rigjenerimi zhvillohet njëherë në 6 cikla Eco me nivelin e konfiguruar të fortësisë së ujit në 3.

Procesi i rigjenerimit fillon në shpëlarjen përfundimtare dhe përfundon në fazën e tharjes, para se të përfundojë ciklin.

- Rigjenerimi individual i konsumon: ~3.5L ujë;
- Nevojiten deri 5 minuta shtesë për ciklin;
- Konsumon nën 0.005 kWh energji.

ZGJIDHJA E PROBLEMIT

Nëse enëlarësja juaj nuk punon në mënyrë të rregullt, kontrolloni nëse mund të zgjidhni problemin me anë të listës së mëposhtme. Për gabimet ose problemet e tjera kontaktoni shërbimin e autorizuar të shitjes detajet e kontaktit të të cilit mund t'i gjeni në librezën e garancisë. Pjesët rezervë do të jenë në dispozicion për një periudhë nga 7 deri 10 vjet, në përputhje me Kërkesat rregulluese.

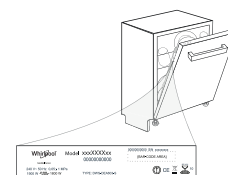
PROBLEMET	SHKAQET E MUNDURA	ZGJIDHJET
Enëlarësja nuk do të fillojë të punojë ose nuk reagon ndaj komandave.	Pajisja nuk është lidhur mirë në furnizimin me energji elektrike.	Vendosni kabllon elektrike në prizën elektrike.
	Nuk ka energji elektrike.	Për arsye sigurie, enëlarësja nuk do të fillojë të punojë automatikisht pas rikthimit të energjisë elektrike. Hapni derën e enëlarësës, shtypni butonin FILLIM/Pushim dhe mbyllni derën përsëri brenda 4 sekondave.
	Dera e enëlarësës nuk është mbyllur. Kunji i funksionit ActiveDry nuk është futur.	Shtypni fort derën derisa të dëgjohet një tingull "klik"
	Cikli ndërpritet kur dera hapet për më shumë se 4 sekonda.	Shtypni butonin FILLIM/Pushim dhe mbyllni derën përsëri brenda 4 sekondave.
	Nuk reagon ndaj komandave.	Fikni pajisjen duke shtypur butonin ON/OFF, ndizeni përsëri atë pas një minute dhe rivendosni programin. Nëse problemi vazhdon, nxirrni kabllon elektrike për 1 minutë, dhe pastaj lidhjeni përsëri.
Uji nuk rrjedh nga enëlarësja.	Cikli i larjes nuk ka përfunduar ende.	Pritni që të përfundojë ciklin i larjes.
	Zorra e kullimit është përthyer.	Kontrolloni nëse është përthyer zorra e kullimit (<i>shihni UDHËZIMET E INSTALIMIT</i>).
	Zorra e kullimit të lavamanit është bllokuar.	Pastroni zorrën e kullimit të lavamanit.
	Filtri është bllokuar me pjesët e mbetura të ushqimit.	Pastroni filtrin (<i>shihni PASTRIMIN E SISTEMIT TË FILTRAVE</i>).
Enëlarësja bën zhurmë të jashtëzakonshme.	Enët përplasen njëri me tjetrin.	Ndani enët në mënyrë të rregullt (<i>shihni NGARKIMIN E RAFTEVE</i>).
	Krijohet shumë shkumë.	Detergjenti nuk është matur mirë ose nuk është i përshtatshëm për përdorim në enëlarësën (<i>shihni MBUSHJA E KUTISË SË DETERGJENTIT</i>). Rivendosni ciklin aktual DUKE FIKUR enëlarësën, pastaj ndizeni përsëri atë, zgjidhni programin e ri dhe shtypni butonin FILLIM/Pushim dhe mbyllni derën brenda 4 sekondave. Mos shtoni detergjentin.
Enët nuk janë të pastra.	Enët nuk janë vendosur në mënyrë të rregullt.	Ndani enët në mënyrë të rregullt (<i>shihni NGARKIMIN E RAFTEVE</i>).
	Spërkatësit nuk mund të rrotullohen lirisht sepse i pengojnë enët.	Ndani enët në mënyrë të rregullt (<i>shihni NGARKIMIN E RAFTEVE</i>).
	Ciki i larjes është shumë i butë.	Zgjidhni ciklin përkatës të larjes (<i>shihni TABELËN E PROGRAMEVE</i>).
	Krijohet shumë shkumë.	Detergjenti nuk është matur mirë ose nuk është i përshtatshëm për përdorim në enëlarësën (<i>shihni MBUSHJA E KUTISË SË DETERGJENTIT</i>).
	Nuk është mbyllur mirë kapaku në kutinë e mjetit për shpëlarje .	Kini kujdes që të mbyllet kapaku i kutisë së mjetit për shpëlarje.
	Filtri është i pistë ose i bllokuar.	Pastroni sistemin e filtrave (<i>shihni KUJDESI DHE MIRËMBAJTJA</i>).
	Nuk ka kripë.	Mbushni kutinë e kripës (<i>shihni MBUSHJA E KUTISË SË KRIPËS</i>).
Enëlarësja nuk merr ujin. Të gjitha dritat LED pulsojnë shpejt.	Nuk ka ujë në sistemin e furnizimit me ujë ose është mbyllur rubineti.	Kini kujdes që të ketë ujë në sistemin e furnizimit me ujë ose që rubineti të jetë i hapur.
	Zorra e furnizimit me ujë është përthyer.	Kini kujdes që zorra e furnizimit me ujë të mos përthyeret (<i>shihni INSTALIMIN</i>), konfiguroni përsëri programin dhe ndizni enëlarësën.
	Sita në zorrën e furnizimit me ujë është bllokuar; duhet të pastrohet.	Pasi keni bërë kontrollimin dhe pastrimin, fikni dhe ndizni enëlarësën dhe nisni përsëri programin e ri.
Enëlarësja mbaron shumë herët ciklin.	Zorra e kullimit është vendosur shumë ulët ose sifonimi shkon në sistemin e kanalizimit të shtëpisë.	Kontrolloni nëse fundi i zorrës së kullimit është vendosur në lartësinë e duhur (<i>shihni INSTALIMIN</i>). Kontrolloni nëse sifonimi shkon në sistemin e kanalizimit të shtëpisë, nëse ka nevojë instaloni ventilin për furnizimin me ajër.
	Ajër në furnizimin me ujë.	Kontrolloni nëse furnizimi me ujë rrjedh ose problemet e tjera lënë ajrin brenda.
Rrjedhja e detergjentit.	Varet nga lloji i detergjentit të lëngshëm që përdoret dhe mund të theksohet nëse aktivizohet opsioni i vonimit.	Rrjedhjet e vogla nuk çojnë në keqfunksionimin e makinës. Ato mund të shmangen duke ndryshuar llojin e detergjentit të lëngshëm ose duke përdorur tableta.

Udhëzimet, dokumentacionet standarde dhe informacionet shtesë mund të gjenden:

- Në faqen tonë të internetit docs.hotpoint.eu dhe parts-selfservice.europeanappliances.com
- Duke përdorur kodin QR
- Gjithashtu, mund të **kontaktoni shërbimin tonë të shitjes** (numri telefonik gjendet në librezën e garancisë). Kur kontaktoni shërbimin tonë të shitjes për klientët, ju lutemi të lexoni shifrat të cilat gjenden në pllakëzën identifikuese të produktit tuaj.

Informacionet rreth modelit mund t'i shkarkoni duke përdorur kodin QR të shkruar në shenjë energjetike.

Shenja përfshin edhe identifikuesin e modelit që mund të përdoret për kontrollimin e regjistrimit në portalin, në adresën <https://eprel.ec.europa.eu>.



Hotpoint

ARISTON

UPUTSTVO ZA SVAKODNEVNU UPOTREBU



HVALA ŠTO STE KUPILI PROIZVOD KOMPANIJE HOTPOINT ARISTON.
Kako biste dobili kompletniju podršku, molimo da registrujete Vaš uređaj na: www.hotpoint.eu/register

SKENIRAJTE QR KOD NA SVOM UREĐAJU DA BISTE DOBILI DETALJNIJE INFORMACIJE

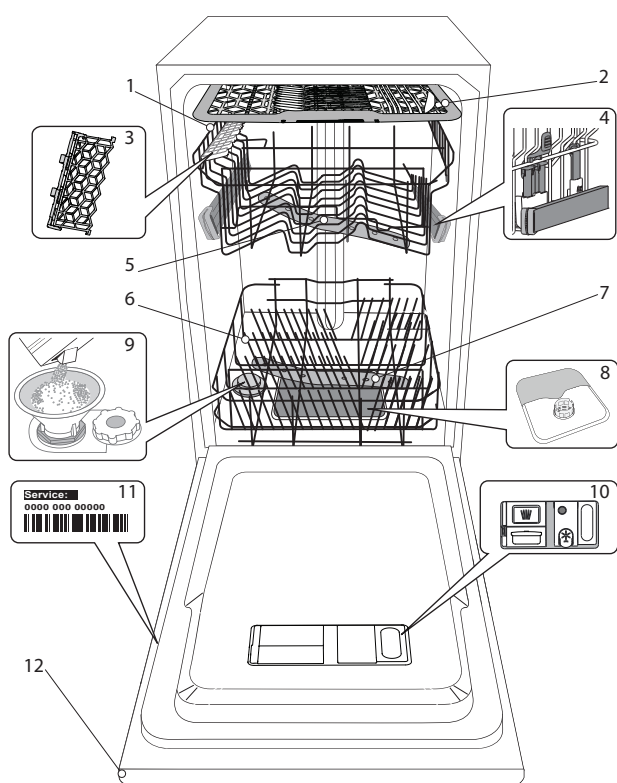


Pre korišćenja uređaja, pažljivo pročitajte uputstva za bezbednost i instalaciju.

Nakon instalacije, ne zaboravite da uklonite sve delove za zaštitu tokom transporta iz mašine za pranje sudova.

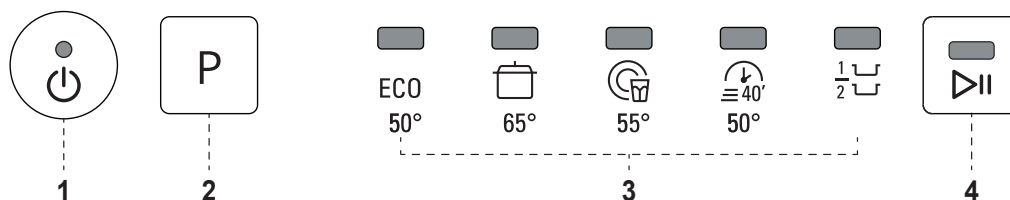
OPIS PROIZVODA

UREĐAJ



1. Gornja korpa
2. Polica za pribor za jelo
3. Sklopiva krilca
4. Podešivač visine gornje korpe
5. Gornja prskalica
6. Donja korpa
7. Donja prskalica
8. Sklop filtera
9. Rezervoar za so
10. Posude za deterdžent i sredstvo za ispiranje
11. Natpisna pločica
12. Kontrolna tabla

KONTROLNA TABLA



1. Dugme za Uključi-Isključ /Ponovno podešavanje sa svetlosnim indikatorom
2. Dugme za izbor programa
3. Svetlosni indikator za program
4. Dugme za Početak/Pauzu sa svetlosnim indikatorom

Hotpoint

ARISTON

PRVA UPOTREBA

SO, SREDSTVO ZA ISPIRANJE I DETERDŽENT

SAVETI U VEZI SA PRVOM UPOTREBOM

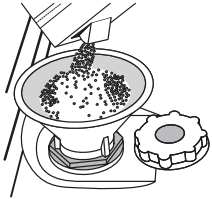
Nakon ugradnje, uklonite zapušače sa korpi i elastične elemente za zadržavanje sa gornje korpe.

PUNJENJE REZERVOARA ZA SO

Upotreba soli sprečava stvaranje KAMENCA na posuđu i na funkcionalnim komponentama mašine.

- Obavezno je **DA REZERVOAR ZA SO NIKADA NE BUDE PRAZAN.**
- Važno je podesiti tvrdoću vode.

Rezervoar za so se nalazi u donjem delu mašine za sudove (vidite *OPIS PROIZVODA*) i treba da se napuni kada se zeleni plovak na zatvaraču rezervoara za so više ne vidi.



1. Uklonite donju korpu i odvrnite poklopac rezervoara (u smeru suprotnom od smer kretanja kazaljki na satu).
2. **Samo prvi put kada ovo radite: napunite rezervoar za so vodom.**
3. Postavite levak (vidite sliku) i napunite rezervoar za so do ivice (oko 1 kg); nije neuobičajeno da malo vode iscuri.
4. Uklonite levak i obrišite ostatke soli sa otvora.

Vodite računa da poklopac bude čvrsto zavijen, tako da deterdžent ne može da uđe u posudu tokom programa pranja (to može da ošteti omekšivač za vodu tako da se ne može popraviti).

Kad god je potrebno da dodate so, obavezno je da obavite proceduru pre početka ciklusa pranja da bi se izbegla korozija.

PODEŠAVANJE TVRDOĆE VODE

Da bi omekšivač za vodu radio kako treba, neophodno je da tvrdoća vode bude podešena na osnovu stvarne tvrdoće vode u vašoj kući. Ove informacije možete dobiti od lokalnog snabdevača vodom.

Podrazumevana vrednost tvrdoće vode se fabrički podešava.

- Uključite uređaj pritiskom na dugme **UKLJUČI/ISKLJUČI**.
- Isključite uređaj pritiskom na dugme **UKLJUČI/ISKLJUČI**.
- Zadržite dugme **P** 5 sekundi, dok se ne začuje zvučni signal.
- Uključite uređaj pritiskom na dugme **UKLJUČI/ISKLJUČI**.
- Svetlosni indikator programa trenutno podešenog nivoa treperi.
- Pritisnite taster **P** za izbor željene tvrdoće vode (videti *TABELU TVRDOĆE VODE*).

Tabela tvrdoće vode					
Nivo			°dH nemački stepeni	°fH francuski stepeni	°Clark engleski stepeni
1	ECO	Meka	0 - 6	0 - 10	0 - 7
2		Srednja	7 - 11	11 - 20	8 - 14
3		Prosečna	12 - 16	21 - 29	15 - 20
4		Tvrda	17 - 34	30 - 60	21 - 42
5		Veoma tvrda	35 - 50	61 - 90	43 - 62

- Isključite uređaj pritiskom na dugme **UKLJUČI/ISKLJUČI**

Podešavanje je završeno!

Čim se ovaj postupak završi, pokrenite program bez punjenja.

Koristite samo so koja je posebno napravljena za mašine za pranje sudova.

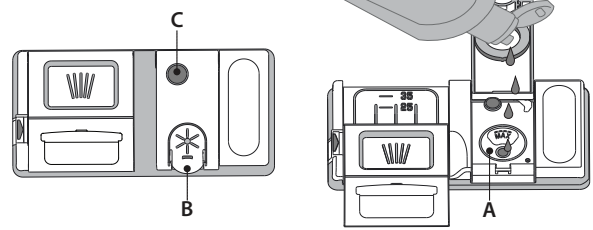
Nakon što sipate so u mašinu, svetlosni indikator za DOPUNA SOLI se isključuje.

Ako rezervoar za so nije pun, može doći do oštećenja omekšivača vode i grejača usled nagomilavanja kamenca.

Korišćenje soli se preporučuje sa bilo kojom vrstom deterdženta za mašinu za pranje sudova.

PUNJENJE POSUDA ZA SREDSTVO ZA ISPIRANJE

Sredstvo za ispiranje olakšava SUŠENJE posuđa. Rezervoar za sredstvo za ispiranje **A** treba da se napuni kada tamni optički indikator na vratima rezervoara **C** postane proziran.



1. Otvorite posudu **B** tako što ćete pritisnuti i povući na gore jezičak na poklopcu.
2. Pažljivo sipajte sredstvo za ispiranje do oznake za maksimum (110 ml) na prostoru za punjenje - izbegavajte prosipanje. Ako se to dogodi, odmah obrišite prosuto suvom krpom.
3. Pritisnite poklopac dok se ne začuje zvuk škljocanja.

NIKADA ne sipajte sredstvo za ispiranje direktno u kadicu.

PODEŠAVANJE DOZIRANJA SREDSTVA ZA ISPIRANJE

Ako niste u potpunosti zadovoljni rezultatima sušenja, možete da podesite količinu sredstva za ispiranje koja se koristi.

- Uključite mašinu za pranje sudova pomoću dugmeta **UKLJUČI/ISKLJUČI**.
- Isključite je pomoću dugmeta **UKLJUČI/ISKLJUČI**.
- Pritisnite dugme **P** tri puta - začuje se zvučni signal.
- Uključite je pomoću dugmeta **UKLJUČI/ISKLJUČI**.
- Svetlosni indikator programa trenutno podešenog nivoa treperi.
- Pritisnite dugme **P** da biste izabrali nivo količine sredstva za ispiranje koje će se koristiti.
- Isključite pomoću dugmeta **UKLJUČI/ISKLJUČI**.

Podešavanje je završeno!

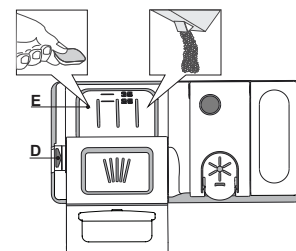
Ako je nivo sredstva za ispiranje podešen na 1 (EKO), sredstvo za ispiranje se neće koristiti.

Mogu se podesiti maksimalno 5 nivoa u zavisnosti od modela mašine za pranje sudova. Fabričko podešavanje zavisi od modela, sledite gorenavedena uputstva da biste proverili za svoju mašinu.

- Ako vidite plavičaste tragove na posuđu, podesite nizak broj (2-3).
- Ako na posuđu ima kapljica vode ili tragova kamenca, podesite visok broj (4-5).

PUNJENJE POSUDE ZA DETERDŽENT

Za otvaranje posude za deterdžent koristite uređaj za otvaranje D. Deterdžent sipajte samo u suhu posudu E. Deterdžent za pretpranje sipajte direktno u kadicu.




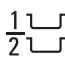


1. Za odmeravanje deterdženta pogledajte prethodno pomenute informacije kako biste sipali odgovarajuću količinu. U posudi **E** nalaze se oznake koje vam mogu pomoći u doziranju deterdženta.
2. Uklonite ostatke deterdženta sa ivica posuda pre nego što i zatvorite poklopac dok se ne začuje zvuk škljocanja.
3. Zatvorite poklopac posude za deterdžent povlačenjem na gore dok uređaj za zatvaranje ne bude čvrsto na mestu.

Posuda za deterdžent se automatski otvara u odgovarajućem trenutku u skladu sa programom.

Korišćenje deterdžente koji nije namenjen za mašine za pranje sudova može da izazove kvar ili oštećenje uređaja.

TABELA SA PROGRAMIMA

Program	Faza sušenja	ActiveDry [®]	Trajanje programa za pranje (h:min)**	Potrošnja vode (litri/ciklus)	Potrošnja energije (kWh/ciklus)
1. Eko ECO 50°	✓	✓	3:35	8.7	0.72
2. Intenzivan  65°	✓	✓	2:45	17.5	1.60
3. Mešano  55°	✓	✓	2:30	15.0	1.30
4. Brzi program 40'  50°	-	✓	0:40	9.0	0.70
5. Polupuno  55°	✓	✓	1:20	11.0	1.00

Podaci programa EKO su mereni u laboratorijskim uslovima u skladu sa evropskim standardom EN 60436:2020.

Napomena za laboratorije za testiranje: za informacije na uslove komparativnog ispitivanja EN, pogledajte adresu:

dw_test_support@europeanappliances.com

Prethodno tretiranje posuđa nije potrebno ni za jedan program.

*) Vrata se otvaraju pre završetka programa. Ovo poboljšava efikasnost sušenja. Sačekajte da se ciklus završi i da čujete zvučni signal pre nego što ispraznite mašinu za pranje sudova.

***) Vrednosti koje su date za programe koji nisu Eko program su samo pokazne. Stvarno vreme može da varira u zavisnosti od mnogih faktora kao što su temperatura, količina deterdženta, količina i vrsta posuđa, balansiranje posuđa, dodatne izabrane opcije i kalibracija senzora. Kalibracija senzora može da poveća trajanje programa do 20 min.

OPIS PROGRAMA

Uputstva za biranje ciklusa pranja.

1 EKO

Eko program je podesan za pranje umereno zaprljanog posuđa, i u tu svrhu je ovo najefikasniji program u pogledu kombinovane potrošnje energije i vode i da se koristi za procenu usklađenosti sa propisima EU za ekološki dizajn.

2 INTENZIVAN

Program preporučen za jako zaprljano posuđe, naročito za tiganje i šerpe (ne koristiti za osetljivo posuđe).

3 MEŠANO

Različito uprljano posuđe. Za normalno zaprljano posuđe sa sasušanim ostacima hrane.

4 BRZI PROGRAM 40'

Program za korišćenje sa polupunom mašinom ili sa blago zaprljanim posuđem bez sasušanih ostataka hrane. Nema faze sušenja

5 POLUPUNO

Idealan za pranje polupune mašine sa blago ili normalno zaprljanim posuđem.

Napomene:

Imajte u vidu da je ciklus *Brzi program 40'* namenjen za blago zaprljano posuđe.

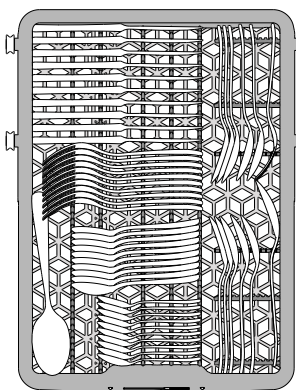
OPCIJE I FUNKCIJE

ActiveDry je sistem konvektionog sušenja koji automatski otvara vrata tokom/nakon faze sušenja i koji svakodnevno obezbeđuje izvanredne performanse sušenja. Vrata se otvaraju na temperaturi koja je bezbedna za vaš kuhinjski nameštaj.

Radi dodatne zaštite od pare, mašini je dodata posebno dizajnirana zaštitna folija. Da biste videli kako da instalirate zaštitnu foliju, pogledajte (UPUTSTVO ZA INSTALACIJU).

PUNJENJE KORPI

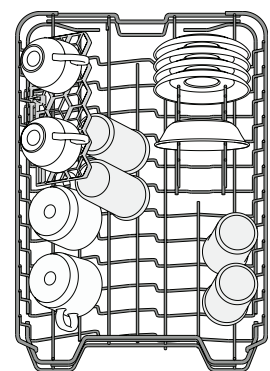
KORPA ZA PRIBOR



Treća korpa je namenjena za postavljanje pribora. Pribor postavite kao što je prikazano na slici. Odvajanje pribora prilikom postavljanja čini sakupljanje nakon pranja lakšim i poboljšava performanse pranja i sušenja.

Noževi i drugi pribor sa oštrim ivicama se mora postaviti sa oštricama okrenutim na dole.

GORNJA KORPA



Stavite osetljivo i lako posuđe: čaše, šolje, tacne, plitke posude za salatu.

(primer punjenja gornje korpe)

PODEŠAVANJE VISINE GORNJE KORPE

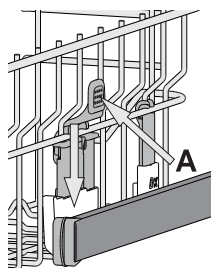
Visina gornje korpe se može podesiti: visoki položaj za postavljanje velikog posuđa u donju korpu i nizak položaj za maksimalno korišćenje držača koji se pomeraju, tako što se stvara više prostora na gore i izbegava sudaranje sa sudovima iz donje korpe.

Gornja korpa ima **Podešivač visine gornje korpe** (vidite sliku), bez pritiskanja ručica, jednostavno podignite držeći korpu sa strane, čim se korpa stabilno namesti u viši položaj.

Da biste vratili na niži položaj, pritisnite ručice **A** koje se nalaze na stranama korpe i pomerite korpu na dole.

Preporučujemo da ne podešavate visinu korpe kada je napunjena.

NIKADA ne podižite niti spuštajte samo jednu stranu korpe.



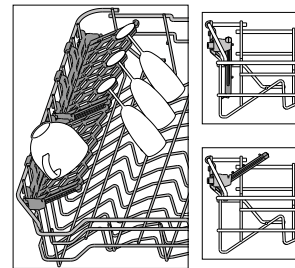
SKLOPIVA KRILCA SA PODESIVIM POLOŽAJEM

Sklopiva krilca možete da sklopite ili rasklopite i tako pronađete najbolji raspored posuđa na rešetki.

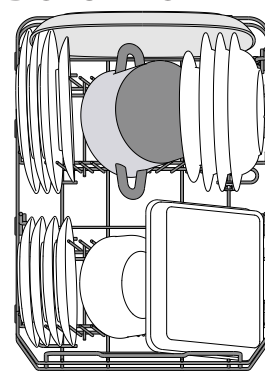
Čaše za vino se bezbedno mogu staviti u sklopiva krilca tako što se stopa svake čaše stavi u odgovarajući otvor. U visokom položaju gornje pregrade, klapne ne mogu ostati u vertikalnom položaju.

Zavisno od modela:

- da biste rasklopili krilca, treba da ih gurnete nagore i okrenete ili da ih odvojite od držača i spustite nadole.
- da biste sklopili krilca, treba da biste okrenete i gurnete nadole ili nagore, pa ih zakačite za držače.



DONJA KORPA



Za šerpe, poklopce, tanjire, posude za salatu, pribor itd. Velike tanjire i poklopce treba stavljati sa strane, kako bi se izbeglo dodirivanje prskalica.

(primer punjenja donje korpe)

SVAKODNEVNA UPOTREBA

1. PROVERITE PRIKLJUČAK NA VODOVODNU MREŽU

Proverite da li je mašina za pranje sudova povezana na dovod vode i da li je slavina otvorena.

2. UKLJUČITE MAŠINU ZA PRANJE SUDOVA

Otvorite vrata i pritisnite dugme **UKLJUČI/ISKLJUČI**.

3. NAPUNITE KORPE

(videti **PUNJENJE KORPI**)

4. PUNJENJE POSUDE ZA DETERDŽENT

5. IZABERITE PROGRAM I PRILAGODITE CIKLUS

Izaberite najprikladniji program u skladu sa vrstom posuđa i nivoom zaprljanosti (videti **OPIS PROGRAMA**) pritiskom na dugme **P**. Izaberite željene opcije (videti **OPCIJE I FUNKCIJE**).

6. POČETAK

Započnite ciklus pranja pritiskom na dugme **POČETAK/PAUZU** (led svetlo je uključeno) i zatvaranjem vrata u roku od 4 sekunde. Kada program počne, čujete jedan zvučni signal. Ukoliko se vrata ne zatvore u roku od 4 sekunde, oglašava se alarm. U tom slučaju, otvorite vrata, pritisnite dugme **POČETAK/PAUZU** i ponovo zatvorite vrata u roku od 4 sekunde.

7. ZAVRŠETAK CIKLUSA PRANJA

Kraj ciklusa pranja je označen zvučnim signalom i treperenjem broja ciklusa pranja na displeju. Otvorite vrata i isključite uređaj pritiskom na dugme **UKLJUČI/ISKLJUČI**. Sačekajte nekoliko minuta pre nego što izvadite posuđe - da biste izbegli opekotine. Ispraznite korpe, počevši sa donjom.

Mašina će se automatski isključiti tokom dužih perioda neaktivnosti, kako bi se smanjila potrošnja električne energije.

Ako je posuđe samo blago uprljano ili ako ga isperete vodom pre nego što ga stavite u mašinu za pranje sudova, u skladu s tim smanjite količinu deterdženta koji koristite.

IZMENA PROGRAMA KOJI JE U TOKU

Ako ste izabrali pogrešan program, možete da ga promenite, pod uslovom da je tek počeo: otvorite vrata, pritisnite i zadržite dugme **UKLJUČI/ISKLJUČI**, mašina će se isključiti.

Ponovo uključite mašinu pomoću dugmeta **UKLJUČI/ISKLJUČI** i izaberite novi ciklus pranja i željene opcije; započnite ciklus pritiskom na dugme **POČETAK/PAUZU** i zatvaranjem vrata u roku od 4 sekunde.

DODAVANJE DODATNOG POSUĐA

Ne isključujući mašinu, otvorite vrata (led svetlo dugmeta **POČETAK/PAUZU** počinje da treperi) (**pazite se VRELE pare!**) i stavite posuđe u mašinu. Pritisnite dugme **POČETAK/PAUZU** i zatvorite vrata u roku od 4 sekunde, ciklus će se nastaviti od trenutka u kom je zaustavljen.

SLUČAJNI PREKIDI

Ako su vrata otvorena tokom ciklusa pranja ili ako dođe do prekida napajanja električnom energijom, ciklus se zaustavlja.

Da biste nastavili ciklus tamo gde je prekinut, pritisnite dugme **POČETAK/PAUZU** i zatvorite vrata u roku od 4 sekunde, ciklus će se nastaviti od trenutka u kom je zaustavljen.

SAVETI I PREDLOZI

SAVETI

Pre nego što napunite korpe, uklonite sve ostatke hrane sa posuđa i ispraznite čaše. **Nije potrebno da prethodno ispirate vodom.** Posuđe postavite tako da stoji čvrsto na mestu i da ne sklizne; posude postavite sa otvorima okrenutim na dole, a udubljene/ispupčene delove postavite koso, kako bi voda mogla da dopre do svih površina i da slobodno teče.

Upozorenje: poklopci, ručice, poslužavnici i tiganji ne sprečavaju rotiranje prskalica.

Svo malo posuđe stavite u korpu za pribor.

Veoma zaprljano posuđe i šerpe bi trebalo da stavite u donju korpu, jer su prskalice u ovom delu jače i pružaju bolje performanse pranja. Nakon što napunite uređaj, vodite računa da prskalice mogu slobodno da se rotiraju.

NEODGOVARAJUĆE POSUĐE

- Drveno posuđe i pribor.
- Osetljive ukrašene čaše, umetničke rukotvorine i antičko posuđe. Dekoracija na njima nije otporna.
- Delovi od sintetičkog materijala ne podnose visoke temperature.
- Posuđe od bakra i kalaja.
- Posuđe zaprljano pepelom, voskom, mašću za podmazivanje ili mastilom.

Boja dekoracije na staklu i komadima od aluminijuma/srebra može da se promeni i izbledi tokom procesa pranja. Neke vrste stakla (npr. kristalni predmeti) takođe mogu da se zamute nakon određenog broja ciklusa pranja.

OŠTEĆENJE ČAŠA I POSUĐA

- Koristite samo čaše i porculansko posuđe za koje proizvođač garantuje da je bezbedno za mašinsko pranje.
- Koristite blag deterdžent za posuđe
- Sakupite čaše i posuđe iz mašine za pranje sudova čim se ciklus pranja završi.

SAVETI ZA UŠTEDU ENERGIJE

- Kada se mašina za pranje sudova za domaćinstvo koristi u skladu sa uputstvima proizvođača, **pranje posuđa u mašini za pranje sudova uglavnom troši MANJE ENERGIJE i vode od ručnog pranja.**
- Da biste povećali efikasnost mašine za pranje sudova, **preporučuje se da ciklus pranja pokrenete kada se mašina za sudove u potpunosti napuni.** Punjenje mašine za pranje sudova za domaćinstvo do kapaciteta koji je naveo proizvođač će doprineti uštedi energije i vode. Informacije o pravilnom slaganju posuđa možete pronaći u poglavlju PUNJENJE KORPI. U slučaju delimične napunjenosti, preporučuje se da koristite odgovarajuće opcije za pranje, ako postoje (Half load/Zone Wash/Multizone (Polupuno/zonsko pranje/više zona)), popunjavajući samo izabrane korpe. Nepravilno punjenje ili prepunjavanje mašine za pranje sudova može da poveća potrošnju resursa (poput vode, energije i vremena, kao i da poveća nivo buke), smanjujući performanse čišćenja i sušenja.
- Ručno predispiranje komada posuđa dovodi do povećane potrošnje vode i energije i nije preporučljivo.

HIGIJENA

Da bi se izbeglo stvaranje neprijatnih mirisa i naslaga u mašini za pranje sudova, **program sa visokom temperaturom pokrenite najmanje jednom mesečno.** Koristite jednu kafenu kašičicu deterdženta i pokrenite program bez postavljanja posuđa kako biste očistili uređaj.

OTPORNOST NA SMRZAVANJE

Ukoliko je uređaj postavljen na mesto izloženo riziku od smrzavanja, **obavezno ga treba potpuno osušiti.** Zatvorite slavinu za vodu, skinite dovodno i odvodno crevo i isпустite vodu iz uređaja. **Proverite da li je omekšivač vode pun rastvorene soli za regeneraciju u posudi za so,** da biste zaštitili uređaj od temperatura do -20 °C.

Ako je uređaj čuvan na mrazu, pre prvog pokretanja najpre mora da odstoji na ambijentalnoj temperaturi od najmanje 5 °C tokom **barem 24 sata.**

NEGA I ODRŽAVANJE

ČIŠĆENJE SKLOPA FILTERA

Redovno čistite sklop filtera kako se filteri ne bi zapušili i kako bi otpadna voda pravilno oticala.

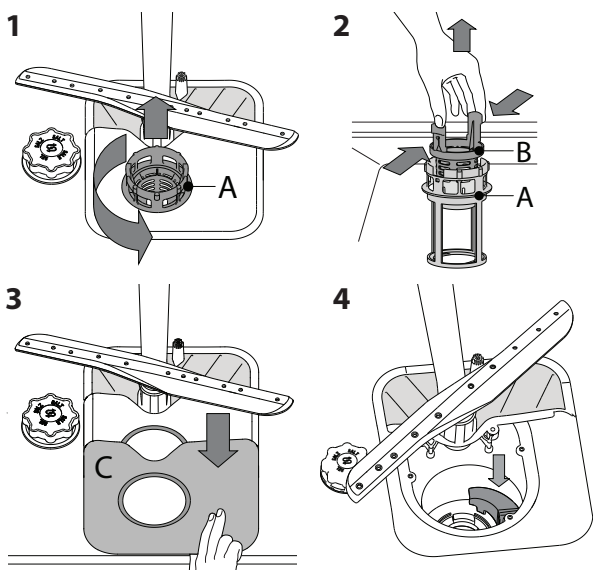
Korišćenje mašine za pranje sudova sa zapušnim filterima ili stranim predmetima unutar sistema za filtriranje ili prskalicama može dovesti do kvara uređaja i time gubitka performansi, glasnog rada ili veće potrošnje resursa.

Sklop filtera se sastoji od tri filtera koji uklanjaju ostatke hrane iz vode za pranje i omogućavaju recirkulaciju vode: kako bi se postigli najbolji rezultati pranja, filtere treba održavati čistim.

Mašina za pranje sudova se ne sme koristiti bez filtera ili ako je filter labav.

Barem jednom mesečno ili nakon svakih 30 ciklusa, proverite sklop filtera i ukoliko je potrebno detaljno ga očistite pod mlazom vode, pomoću četke koja nije metalna i sledeći uputstva navedena u nastavku:

1. Okrenite cilindrični filter **A** u smeru suprotnom od smera kretanja kazaljki na satu i izvucite ga (slika 1).
2. Uklonite kupasti filter **B** primenom blagog pritiska na bočna krilca (slika 2).
3. Izvucite pločasti filter od nerđajućeg čelika **C** (slika 3).
4. Ukoliko pronađete strane predmete (kao što je slomljeno staklo, porcelan, kosti, semenke voća itd.) pažljivo ih uklonite.
5. Proverite sklopku i uklonite sve ostatke hrane. **NIKADA NE UKLANJAJTE** zaštitu pumpe za ciklus pranja (crni deo) (slika 4).



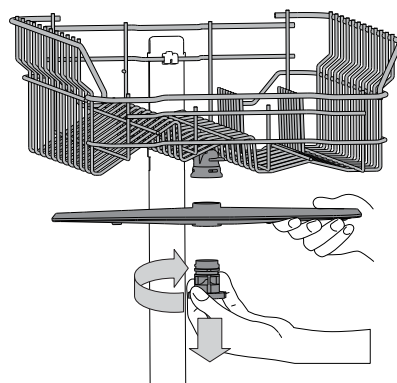
Nakon čišćenja filtera, ponovo postavite sklop filtera i pravilno ih pričvrstite na mesto; ovo je neophodno za efikasan rad mašine za pranje sudova.

ČIŠĆENJE CREVA ZA DOVOD VODE

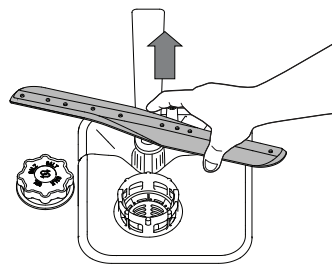
Ako su creva za vodu nova ili neko vreme nisu korišćena, pustite vodu kroz njih da biste bili sigurni da su čista i da bi se očistila od nečistoća pre nego što se povežu. Ako ne obavite ovu meru opreza, dovod vode se može blokirati i oštetiti mašinu za pranje sudova.

ČIŠĆENJE PRSKALICA

Povremeno, ostaci hrane mogu da se score na prskalicama i tako blokiraju otvore za prskanje vode. Stoga se preporučuje da povremeno proveravate prskalice i čistite ih malom četkom koja nije od metala.



Da biste uklonili gornju prskalicu, okrenite plastični prsten za zaključavanje u smeru kretanja kazaljki na satu. Gornja prskalica se ponovo postavlja tako da strana sa više otvora bude okrenuta na gore.



Donju prskalicu možete ukloniti tako što ćete je povući na gore.

SISTEM ZA OMEKŠAVANJE VODE

Omekšivač vode automatski smanjuje tvrdoću vode i time sprečava nakupljanje kamenca na grejaču, čime takođe doprinosi efikasnijem čišćenju.

Ovaj sistem sam sebe regeneriše pomoću soli, te je stoga obavezno da dopunite rezervoar za so kada je prazan.

Učestalost regeneracije zavisi od postavke nivoa tvrdoće vode – regeneracija se odvija jednom u 6 Eco ciklusa kada je nivo tvrdoće vode podešen na 3.

Proces regeneracije počinje sa poslednjim ispiranjem i završava se u fazi sušenja, pre završetka ciklusa.

- Jedna regeneracija troši: ~3,5 l vode;
- Produžava ciklus za još 5 minuta;
- Troši ispod 0,005 kWh energije

OTKLANJANJE PROBLEMA

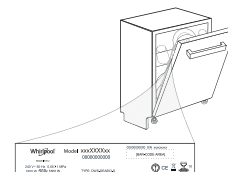
Ukoliko vaša mašina za pranje sudova ne radi pravilno, proverite da li je moguće rešiti problem pomoću sledeće liste. Za ostale greške ili probleme obratite se ovlašćenom postprodajnom servisu čije detalje za kontakt možete pronaći u garantnoj knjižici. Rezervni delovi su dostupni u periodu od 7 do 10 godina, u skladu sa posebnim zahtevima odredbe.

PROBLEMI	MOGUĆI UZROCI	REŠENJA
Mašina za pranje sudova neće da se pokrene ili ne reaguje na komande.	Uređaj nije pravilno uključen u strujno napajanje.	Umetnite utikač u utičnicu.
	Nema električne energije.	Iz bezbednosnih razloga, mašina za pranje sudova se neće automatski ponovo pokrenuti kada dođe do povraćaja električne energije. Otvorite vrata mašine za pranje sudova, pritisnite dugme POČETAK/Pauzu i zatvorite vrata u roku od 4 sekunde.
	Vrata mašine za pranje sudova nisu zatvorena. ActiveDry pin nije uvučen.	Snažno gurnite vrata dok se ne začuje zvuk „kliktanja“.
	Ciklus je prekinut otvaranjem vrata na > 4 sekunde.	Pritisnite dugme POČETAK/Pauzu i zatvorite vrata u roku od 4 sekunde
Voda ne otiče iz mašine za pranje sudova.	Ne reaguje na komande.	Isključite uređaj pritiskom na dugme UKLJUČI/ISKLJUČI, nakon jednog minuta ga ponovo uključite i ponovo pokrenite program. Ukoliko se problem nastavi, izvucite utikač uređaja na 1 minut, a zatim ga ponovo utaknite.
	Ciklus pranja se još nije završio.	Sačekajte da se ciklus pranja završi.
	Crevo za odvod je savijeno.	Proverite da li je crevo za odvod savijeno (videti UPUTSTVA ZA UGRADNJU).
	Odvodna cev sudopere je blokirana.	Očistite odvodnu cev sudopere.
Mašina za pranje sudova proizvodi neuobičajenu buku.	Filter je zapušen ostacima hrane	Očistite filter (videti ČIŠĆENJE SKLOPA FILTERA).
	Sudovi udaraju jedan o drugi.	Pravilno poredajte posuđe (videti PUNJENJE KORPI).
Posuđe nije čisto.	Proizvodi se previše pene.	Deterdžent nije pravilno odmeren ili nije pogodan za korišćenje u mašini za pranje sudova (videti PUNJENJE POSUDE ZA DETERDŽENT). Ponovo pokrenite trenutni ciklus tako što ćete ISKLJUČITI mašinu za pranje posuđa, a zatim je ponovo uključiti, odabrati novi program, pritisnuti dugme POČETAK/Pauzu i zatvoriti vrata u roku od 4 sekunde.
	Posuđe nije pravilno postavljeno.	Pravilno poredajte posuđe (videti PUNJENJE KORPI).
	Prskalice ne mogu slobodno da se okreću, jer ih zaustavlja posuđe.	Pravilno poredajte posuđe (videti PUNJENJE KORPI).
	Ciklus pranja je previše blag.	Izaberite odgovarajući ciklus pranja (videti TABELU SA PROGRAMIMA).
	Proizvodi se previše pene.	Deterdžent nije pravilno odmeren ili nije pogodan za korišćenje u mašini za pranje sudova (videti PUNJENJE POSUDE ZA DETERDŽENT).
	Poklopac na odeljku za sredstvo za ispiranje nije pravilno zatvoren.	Vodite računa da poklopac posude za sredstvo za ispiranje bude zatvoren.
Mašina za pranje sudova ne prima vodu. Svi LED-i brzo trepere	Filter je zaprljan ili zapušen.	Očistite sklop filtera (videti ČUVANJE I ODRŽAVANJE).
	Nema soli.	Napunite rezervoar za so (videti PUNJENJE REZERVOARA ZA SO).
	Nema vode u sistemu za dovod vode ili je slavina zatvorena.	Vodite računa da ima vode u sistemu za dovod vode ili da je slavina odvrnuta.
Mašina za pranje sudova prerano završava ciklus.	Crevo za dovod vode je savijeno.	Vodite računa da crevo za dovod ne bude savijeno (pogledajte odeljak Postavljanje), ponovo podesite program i pokrenite mašinu za pranje sudova.
	Sito u crevu za dovod vode je zapušeno; neophodno je očistiti ga	Nakon što obavite proveru i čišćenje, isključite i uključite mašinu za pranje sudova i ponovo pokrenite novi program.
Curenje deterdženta.	Crevo za odvod je postavljeno prenisko ili odvod sifona ide u sistem kućne kanalizacije	Proverite da li je kraj creva za odvod postavljen na odgovarajućoj visini (pogledajte odeljak Postavljanje). Proverite da li odvod sifona ide u sistem kućne kanalizacije, po potrebi ugradite ventil za dovod vazduha.
	Vazduh u dovodu vode.	Proverite da li dovod vode curi ili drugi problemi propuštaju vazduh unutra.
	Zavisi od tečnog deterdženta koji se koristi i može da se pojača u slučaju da se aktivira opcija odlaganja.	Mala curenja neće izazvati kvar mašine i mogu da se spreče zamenom tipa tečnog deterdženta ili upotrebom tableta.

Smernice, standardna dokumentacija, poručivanje rezervnih delova i dodatne informacije o proizvodu se mogu naći putem:

- Pomoću QR koda na vašem uređaju.
- Našeg veb-sajta docs.hotpoint.eu i parts-selfservice.europeanappliances.com
- Takođe, možete **kontaktirati naš postprodajni servis** (broj se nalazi u garantnoj knjižici). Prilikom kontaktiranja našeg postprodajnog servisa, navedite šifru koja se nalazi na pločici za identifikaciju proizvoda.

Informacije o modelu se mogu preuzeti pomoću QR koda navedenog na energetske oznaci. Oznaka uključuje i identifikator modela koji može da se upotrebi za proveru registracije na portalu, na adresi <https://eprel.ec.europa.eu>.



400020040199
03/2026 jk

Hotpoint

ARISTON