

COOKTOP IN SUPREME DESIGN

INSTRUCTION FOR USE



IMPORTANT SAFETY INSTRUCTIONS

YOUR SAFETY AND THE SAFETY OF OTHERS ARE VERY IMPORTANT

This manual and the appliance itself provide important safety messages, to be read and observed at all times.



This is the safety alert symbol, pertaining to safety, which alerts users to potential hazards to themselves and others. All safety messages will follow the safety alert symbol and either the terms:



DANGER

Indicates a hazardous situation which, if not avoided, will cause serious injury.



WARNING

Indicates a hazardous situation which, if not avoided, could cause serious injury.

All Safety messages will tell you what the potential hazard is, tell you how to reduce the chance of injury, and tell you what can happen if the instructions are not followed.

- The appliance must be disconnected from the power supply before carrying out any installation work.
- Installation and maintenance must be carried out by a qualified technician, in compliance with the manufacturer's instructions and local safety regulations. Do not repair or replace any part of the appliance unless specifically stated in the user manual.



WARNING

If the information in this manual is not followed exactly, a fire or explosion may result causing property damage or injury.

- Do not store or use gasoline or other flammable vapors and liquids in the vicinity of this appliance.

What to do if you smell gas:

- Do not try to light any appliance.
- Do not touch any electrical switch.
- Do not use any phone in your building.
- Immediately call your gas supplier from a neighbour's phone. Follow the gas supplier's instructions.
- If you cannot reach your gas supplier, call the fire department.
- Installation and service must be performed by a qualified installer, service agency or the gas supplier.
- Use appliance in well ventilated rooms only.

The electrical and gas connections must comply with local regulations.

- When the hob is installed, provide a multi-pole circuit breaker with a contact separation of at least 3 mm, that provides full disconnection.
- Regulations require that the appliance is grounded.
- The power cable must be long enough for connecting the appliance, once fitted in its housing, to the power supply
- Use only flexible or rigid metal hose for gas connection.
- If necessary, the electrical power cable must be replaced exclusively with a power cable having identical characteristics to the original supplied by manufacturer. This operation must be performed by a qualified electrician.
- The manufacturer cannot be held responsible for any injury to persons or animals or damage to property arising from failure to comply with these requirements.
- Do not use multiple plug adapters or extension cords.
- Do not pull the power cable to disconnect it from the electrical supply.
- The electrical components must not be accessible to the user after installation.
- Do not touch the appliance with any wet part of the body and do not operate it when barefoot.

-
- This hob (class 3) is designed solely for private household use for cooking food. Do not use this appliance as a space heater to heat or warm the room. Doing so may result in carbon monoxide poisoning and overheating of the hob. The Manufacturer declines all responsibility for inappropriate use or incorrect setting of the controls.
 - The appliance and its accessible parts become hot during use. Care should be taken to avoid touching heating elements. Children less than 8 years of age shall be kept away unless continuously supervised. This appliance can be used by children aged from 8 years and above and persons with reduced physical, sensory or mental capabilities or lack of experience and knowledge if they have been given supervision or instruction concerning use of the appliance in a safe way and understand the hazards involved. They shall not play with the appliance. Cleaning and user maintenance shall not be made by children without supervision.
 - The use of a gas appliance produces heat and humidity in the room. Make sure the room is well-ventilated, or install an extractor hood with exhaust duct.
 - Domestic animals should be kept away from the appliance.
 - In case of prolonged use, additional ventilation may be necessary (by opening a window or increasing the hood extraction speed).
 - After use, make sure the knobs are in off position and close the main gas supply cock or the gas cylinder valve.
 - Overheated oils and fats catch fire easily. Always remain vigilant when cooking foods rich in fat, oil or alcohol (e.g. rum, cognac, wine).
 - Keep the packaging materials out of the reach of children.
 - Before cleaning or maintenance wait for hob to cool down.
 - Unattended cooking on a hob with fat or oil can be dangerous and may result in fire. NEVER try to extinguish a fire with water, but switch off the appliance and then cover flame e.g. with a lid or a fire blanket.
 - Danger of fire: do not store items on the cooking surfaces.

SAVE THESE INSTRUCTIONS

INSTALLATION

After unpacking the hob, make sure that it has not been damaged during transport. In the event of problems, contact the dealer or your nearest After-sales Service.

These instructions are only valid for the countries whose symbols is given on the data plate (under the hob).

TECHNICAL INFORMATION FOR THE INSTALLER

- **This product can be embedded in a worktop 20 to 50 mm thick.**
- **If there is no oven beneath the hob, insert a separator panel that has a surface at least equal to the opening in the work surface. This panel, that has to close completely the cutout in order to avoid any contact with the bottom part of the hob, must be positioned at a maximum distance of 150 mm below the upper surface of the work surface but, in no case less than 20 mm from the bottom of the hob. In the case that you intend to install an oven beneath the hob, make sure that it is manufactured by Whirlpool and equipped with a cooling system. The manufacturer declines all liability if another brand oven is installed beneath the hob.**
- **Before installation, make sure that:**
 - **the local gas delivery conditions (nature and pressure) are compatible with the settings of the hob (see the rating plate and injector table);**
 - the outer surfaces of the furniture or appliances adjacent to the hob are heat resistant according to local regulations;
 - this appliance is not connected to a fume exhaust device. It shall be installed in accordance with current installation regulations. Particular attention shall be given to the relevant requirements regarding ventilation.
 - combustion products are discharged outdoors through specific hoods or wall and/or window mounted electrical fans.

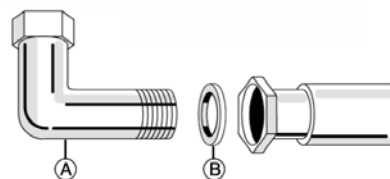
GAS CONNECTION





WARNING

This operation must be performed by a qualified technician.

- **The gas supply system must comply with local regulations.**
- You can find specific local regulations for some countries in the paragraph "Reference to Local Regulations". If no information concerning your Country is given, please ask details to your Installer.
- The connection of the hob to the gas pipe network or gas cylinder must be made by means of a rigid copper or steel pipe with fittings complying with local regulations, or by means of a continuous-surface stainless steel hose complying with local regulations. Interpose gasket (B) in the elbow connection. The maximum length of the hose is 2 m.
- **FOR BELGIUM ONLY:** It is necessary to replace the elbow connection (A) on the appliance, with the one supplied (if present).



IMPORTANT: if a stainless steel hose is used, it must be installed so as not to touch any mobile part of the furniture. It must pass through an area where there are no obstructions and where it is possible to inspect it on all its length.

- After connection to the gas supply, check for leaks with soapy water. Light up the burners and turn the knobs from max position  to minimum position  to check flame stability.

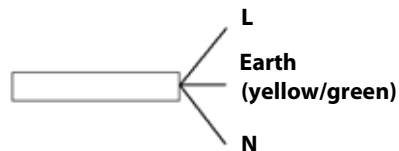
ELECTRICAL CONNECTION

⚠ WARNING

This operation must be performed by a qualified technician.

⚠ WARNING

- The electrical connections must comply with local regulations.
- The earthing of this appliance is compulsory by law.
- Do not use an extension cord.

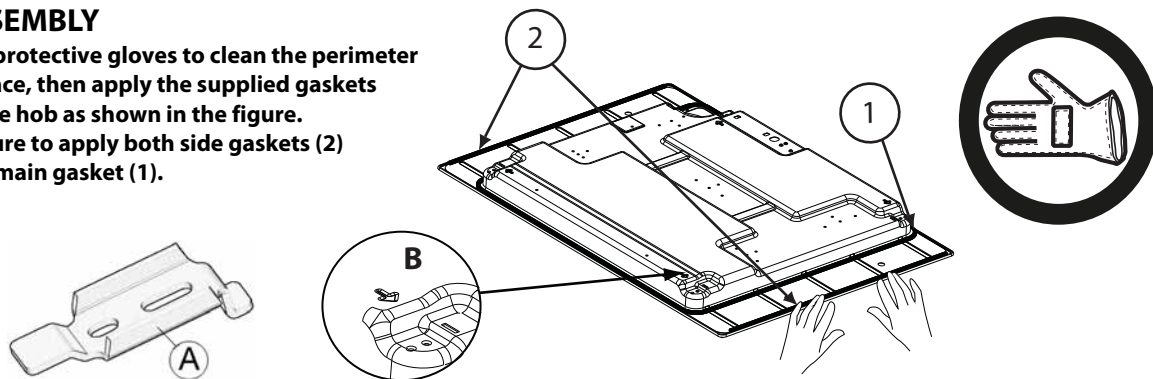


IMPORTANT: the data relevant to the voltage and power absorption are indicated on the rating plate.

ASSEMBLY

Use protective gloves to clean the perimeter surface, then apply the supplied gaskets to the hob as shown in the figure.

Be sure to apply both side gaskets (2) and main gasket (1).

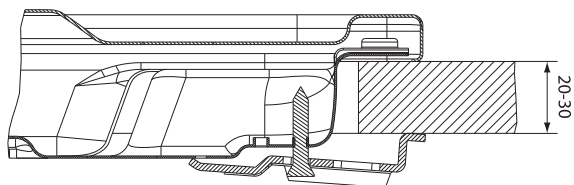


Position the hob in the worktop opening made respecting the dimensions indicated in the Instruction.

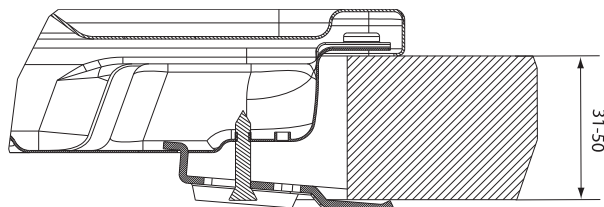
NOTE: the power supply cable must be long enough to permit its upward extraction.

To secure the hob, use the brackets (A) provided with it. Fit the brackets into the relevant bores shown by the arrow (B) and fasten them by means of their screws in accordance with the thickness of the worktop (see the following figures).

Top 20 - 30 mm



Top 31 - 50 mm



ADJUSTMENT TO DIFFERENT TYPES OF GAS

⚠ WARNING

This operation must be performed by a qualified technician.

If the appliance is intended to operate with a different gas from the gas type stated on the rating plate and information label on the top of the hob, you need to call SERVICE and ask for the injectors change.

Remove the information label and keep it with the instructions booklet.

- The gas nozzles must be changed by After Sales Service or a qualified technician.
- Nozzles not supplied with the appliance must be ordered from After Sales Service.
- Adjust the minimum setting of the taps needs to be done by SERVICE after injectors change.

NOTE: use pressure regulators suitable for the gas pressure indicated in the Instructions.

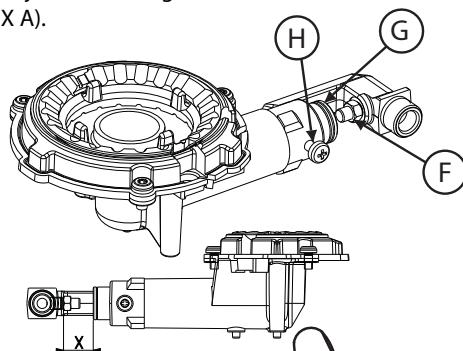
NOTE: when liquid petroleum gas is used (G30/G31), the minimum gas setting screw must be tightened as far as it will go.

IMPORTANT: should you experience difficulty in turning the burners knobs, please contact the After Sales Service for the replacement of the burner tap if found to be faulty.


It is best to change the injectors before starting installation. Steps for injector exchange are:

1. Remove the grids and burner/rings/caps and knobs (see APPENDIX A).
2. Remove the holding screws that fix the burner to the top cover.
Use gloves to lift up the cover.
Once you have removed the top cover, you can access the burner injector.

3. Remove the injector (F) using a 7mm side spanner.
Install new injector according to the table.
4. Slacken the holding screw (H) to regulate the position (X) of the gas inlet coupling (G) with regard to the injector.
This needs to be done only if coupling (G) was moved – or dimension (X) is not aligned with the table.





Regulating the minimum flow level of the gas taps

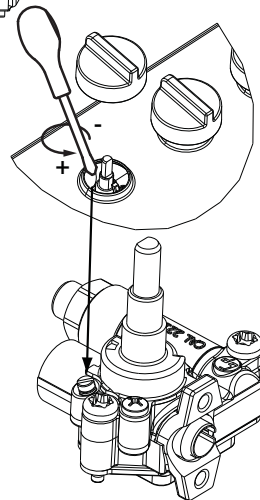
Regulating the minimum flow level must be done with the tap at the lowest position (small flame) .

There is no need to regulate the primary air in the burners.

To ensure the minimum level is properly regulated, remove the control knob and adjust the screws found on the tap as follows (see drawing):

1. Tighten to reduce the height of the flame (-);
2. Slacken to increase the height of the flame (+);
3. With the burners on, rotate the knobs from the maximum  to the minimum position  to check the stability of the flame.

Once you have finished regulating, close up the seals again using sealing wax.



REFERENCE TO LOCAL REGULATIONS

Provision for ventilation

The room in which the appliance is installed must have an air supply to current **B.S. 5440 - Part 2** standards.

All rooms require a permanent vent in addition to the openable window.

If there are other fuel burning appliances in the same room **B.S. 5440 - Part 2** should be consulted to determine the air vent requirements.

If the appliance is installed in a cellar or basement, it is advisable to provide an air vent of 65 cm, irrespective of the room volume.

Gas Safety Regulations

The law requires that all gas appliances are installed by competent persons in accordance with the current gas safety regulations. Failure to install appliances correctly may lead to prosecution.

It is in your own interest, and that of safety, to ensure that the law is complied with. The hob should be installed in accordance with the **Gas Safety (Installation and Use) Regulations**, the **Building Regulations** issued by the Department of the Environment and the **Building Standard (Scotland) (Consolidation) Regulations**, issued by the Scottish Development Department.

In the G.B., **CORGI** registered installers work to safe standards of practice.

AFTER-SALES SERVICE

Before calling the After-Sales Service, make sure you can give the following information:

- type of fault or problem;
- exact model (written on the label affixed to the instruction/warranty);
- service number that follows the word SERVICE on the rating plate under the hob and on the label affixed to instruction/warranty;
- your complete address and phone number.

If any repairs are required, please contact an authorised After-Sales Service, as indicated in the warranty.

SERVICE 0000 000 00000



(Apply the label from warranty here)

TROUBLESHOOTING GUIDE

If the hob will not operate correctly, before calling the After-Sales Service, refer to the Troubleshooting Guide to determine the problem.

1. The burner fails to ignite or the flame is not even

Check that:

- The gas or electrical supplies are not shut off and especially that the gas supply tap is open.
- The gas cylinder (liquid gas) is not empty.
- The burner openings are not clogged.
- The spark plug is not dirty.
- All the burner parts have been positioned correctly.
- There are no draughts near the hob.
- The burner parts have been cleaned, dried and positioned correctly.
- There is no liquid residuals in the burner area.

2. The burner does not stay lit

Check that:

- When lighting the burner, the knob has been pressed for enough time to activate the protection device.
- The burner openings are not clogged near the thermocouple.
- The end of the safety device is not dirty.
- The minimum gas setting is correct (see relevant paragraph).

3. The pans or pots are not stable

Check that:

- The bottom of the container is perfectly flat
- The container is centered on the burner.
- The grids have not been exchanged or positioned incorrectly.

If after the above checks the fault still occurs, get in touch with the nearest After Sales Service.

Small scratches on iXelium grids could be noticed after usage, due to friction with bottom of pots. We recommend to place pot on the selected burner and avoid to slide pots on the grids themselves. The presence of small stains on the bottom surface of the grids may be the cause of manual manufacturing process but do not compromise the quality of the product. Clean iXelium grids following recommendation for iXelium material.

CLEANING THE HOB SURFACE



WARNING

Disconnect power before servicing.

- All the enamelled and glass parts should be cleaned with warm water and neutral solution. If you have a iXelium hob, observe the following cleaning recommendations:
- Use a soft cloth (microfibre is best) with water or with everyday glass cleaning detergent.
- Do not use paper kitchen towel, which can leave traces of paper and streaks on the hob.
- Do not use abrasive or corrosive products, chlorine-based cleaners or pan scourers.
- Do not use steam cleaning appliances.
- Do not use flammable products.
- Do not leave acid or alkaline substances, such as vinegar, mustard, salt, sugar or lemon juice on the hob.

CLEANING THE HOB PARTS

- Grids, burner caps and burners can be removed to be cleaned (See APPENDIX A).
- Clean them by hand with warm water and non-abrasive detergent, removing any food residues and checking that none of the burner openings is clogged.
- Rinse and dry
- Refit burners and burner caps correctly in the respective housings.
- When replacing the grids, make sure that the panstand area is aligned with the burner.
- Models equipped with electrical ignition plugs and safety device require thorough cleaning of the plug end in order to ensure correct operation. Check these items frequently, and if necessary, clean them with a damp cloth. Any baked-on food should be removed with a toothpick or needle.

NOTE: to avoid damaging the electric ignition device, do not use it when the burners are not in their housing.

DECLARATION OF CONFORMITY C E


- This hob has been designed, constructed and marketed in compliance with:
 - safety requirements of "Gas" Directive 2009/142/EC (ex: EEC 90/396);
 - safety objectives of the "Low Voltage" Directive 2006/95/CE (which replaces 73/23/CEE and subsequent amendments);
 - protection requirements of EEC Directive "EMC" 2004/108/EC.
- This hob is suitable for contact with foodstuffs and complies with EEC (CE) Regulation n. 1935/2004.

SAFEGUARDING THE ENVIRONMENT

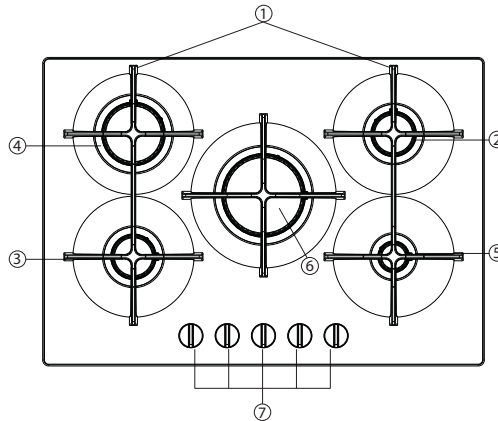
Disposal of packing material

The packing material is 100% recyclable and is marked with the recycle symbol (♻️). The various parts of the packing must therefore be disposed of responsibly and in full compliance with local authority regulations governing waste disposal.

Scrapping the product

- This appliance is marked in compliance with European Directive 2002/96/EC, Waste Electrical and Electronic Equipment (WEEE).
- By ensuring this product is disposed of correctly, you will help prevent potential negative consequences for the environment and human health, which could otherwise be caused by inappropriate waste handling of this product.
- The symbol  on the product or on the accompanying documentation indicates that it should not be treated as domestic waste but must be taken to an appropriate collection centre for the recycling of electrical and electronic equipment.

PRODUCT DESCRIPTION



1. Removable panstand grids
2. Semi-rapid burner BR
3. Semi-rapid burner FL
4. Rapid burner
5. Auxiliary burner
6. Ultra Rapid burner
7. Control knobs

Symbols

Shaded circle 


Large flame 

Small flame 

Tap closed

Maximum opening/delivery

Minimum opening or reduced delivery

The symbols  are indicating which cooking field this knob activates.

Note: your hob aesthetics can be slightly different from the drawing. Burner placement and control symbols can vary.

PRACTICAL ADVICE FOR USING THE BURNERS

This hob has burners of different diameters. For better burner performance, please stick to the following rules:

- Use pots and pans with bottoms the same width as that of the burners or slightly larger (see table on the right).
- Only use flat-bottomed pots and pans.
- Use the correct amount of water for cooking foods and keep the pot covered.
- Make sure pots on the grates do not protrude beyond the edge of the hob.

Burner	Pot Ø
Ultra rapid	From 24 to 26 cm
Rapid	From 24 to 26 cm
Semi-rapid	From 16 to 24 cm
Auxiliary	From 8 to 14 cm

IMPORTANT: improper use of the grids can result in damage to the hob: do not position the grids upside down or slide them across the hob.

HOW TO USE THE HOB



WARNING

Do not let the burner flame extend beyond the edge of the pan.

IMPORTANT: WHEN THE HOB IS IN USE, THE ENTIRE HOB AREA MAY BECOME HOT.

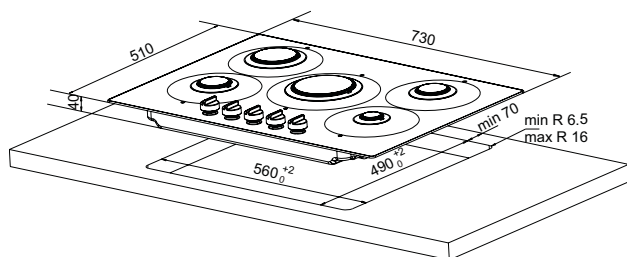
- To ignite one of the burners, turn the relative knob anti-clockwise to the maximum flame setting.
- Press the knob against the control panel to ignite the burner.
- After the burner has ignited, keep the knob pressed for about 5-10 seconds to allow proper device operation. This burner safety device shuts off the gas supply to the burner if the flame goes out accidentally (because of sudden draught, an interruption in the gas delivery, boiling over of liquids, etc.).
- **The knob must not be pressed for more than 15 sec. If, after that time has elapsed, the burner does not remain lit, wait at least one minute before trying to light it again.**

In the event of the burners flames being accidentally extinguished, turn off the burner control and do not attempt to reignite it for at least one minute.

NOTE: should particular local conditions of the delivered gas make the ignition of burner difficult, it is advisable to repeat the operation with the knob turned to small flame setting.

The burner might go out when the knob is released. This means that the safety device has not warmed up enough. In this case, repeat the operations described above.

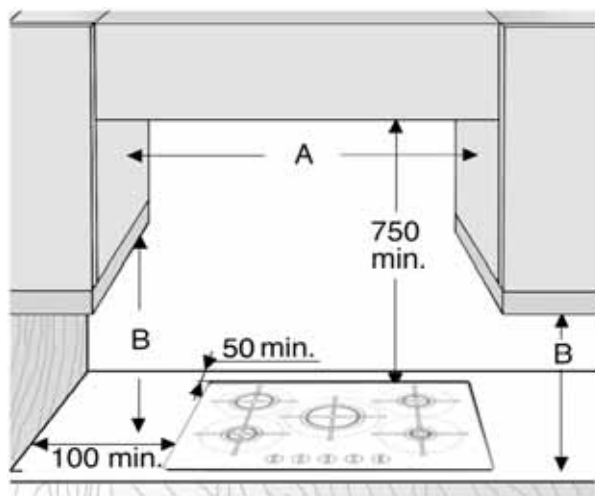
DIMENSIONS AND DISTANCES TO BE MAINTAINED (mm)



NOTE: if the distance "A" between the wall cabinets is between 600 mm and 730 mm, the height "B" must be a minimum of 530 mm.

if the distance "A" between the wall cabinets is greater than the width of the hob, the height "B" must be a minimum of 400 mm.

In case of installation of a hood above the hob, please refer to the hood instructions for the correct distance.



INJECTORS TABLE

CATEGORY II2H3+

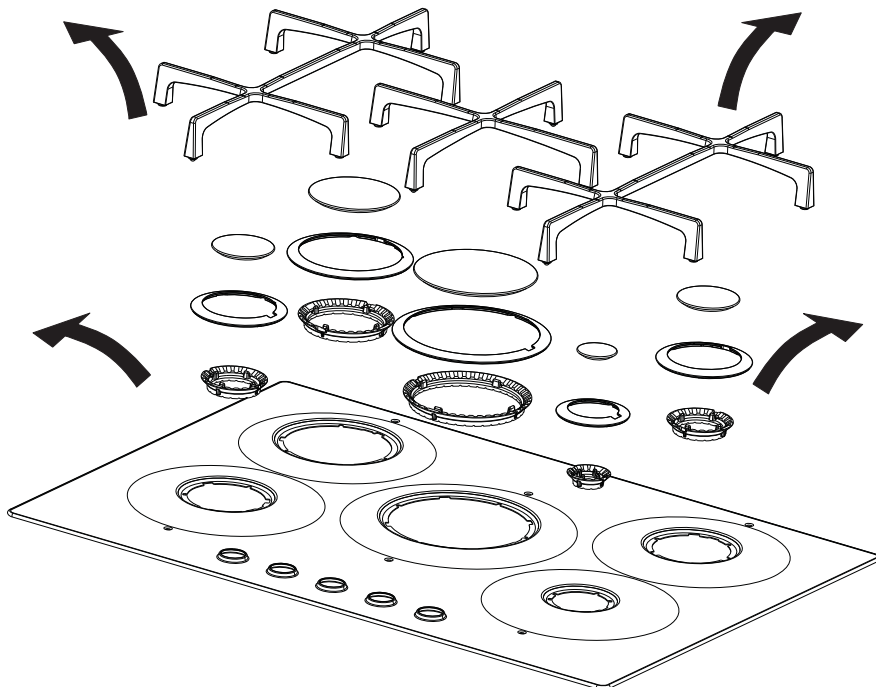
Type of gas used	Type of burner	Injector marking	Primary Air adjusting (X) (mm)	Rated thermal flow rate kW	Rated consumption	Reduced heat capacity kW	Gas pressure mbar		
							min.	rat.	max.
NATURAL GAS (Methane) G20	Ultra-Rapid	147	15	4.20	400 l/h	0.85	17	20	25
	Rapid	125		3.00	286 l/h	0.85			
	Semi-Rapid BR	99		1.90	181 l/h	0.45			
	Semi-Rapid FL	86		1.40	133 l/h	0.45			
	Auxiliary	74		1.00	95 l/h	0.30			
LIQUEFIED PETROLEUM GAS (Butane) G30	Ultra-Rapid	101	15	4.20	305 g/h	0.85	20	28-30	35
	Rapid	84		3.00	218 g/h	0.85			
	Semi-Rapid BR	71		1.90	138 g/h	0.50			
	Semi-Rapid FL	58		1.40	102 g/h	0.50			
	Auxiliary	50		1.00	73 g/h	0.30			
LIQUEFIED PETROLEUM GAS (Propane) G31	Ultra-Rapid	101	15	4.20	300 g/h	0.85	25	37	45
	Rapid	84		3.00	214 g/h	0.85			
	Semi-Rapid BR	71		1.90	136 g/h	0.50			
	Semi-Rapid FL	58		1.40	100 g/h	0.50			
	Auxiliary	50		1.00	71 g/h	0.30			

Type of gas used	Model configuration	Rated thermal flow rate (kW)	Total rated consumption	Air required (m ³) for burning 1 m ³ of gas
G20 20 mbar	5 burners	11.50	1095 l/h	9.52
G30 28-30 mbar	5 burners	11.50	836 g/h	30.94
G31 37 mbar	5 burners	11.50	821 g/h	23.80

ELECTRIC SUPPLY: 220-240 V ~ 50/60 Hz

CLEANING THE HOB PARTS (Appendix A) – See drawing below for parts removal guides.

To reinstall the parts (grids, caps, rings and burners) reverse depicted operation.





Для РФ:
ООО «Виерлпул Си-Ай-Эс»
117105, г. Москва, Варшавское шоссе, дом 9, стр.1Б, 3 эт.
Телефон горячей линии в РФ: 8-800-100-57-31
Whirlpool Europe s.r.l.
Viale Guido Borghi, 27 - 21025 Comerio (Varese) ITALY
Виерлпул Европа с.р.л.
Виае Г.Борге, 27 - 21025 Комерио (Вареце) Италия

КАССИНЕТТА
Завод: Виерлпул Европа с.р.л.
Адрес: Виа АюМоро 5
21024 Кассинетта ди Биандронно
Вареце - Италия

Сделано в Польше

4000 107 40868

