

DAILY REFERENCE GUIDE



THANK YOU FOR BUYING A WHIRLPOOL PRODUCT.
In order to receive a more complete assistance, please register your appliance on: www.whirlpool.eu/register

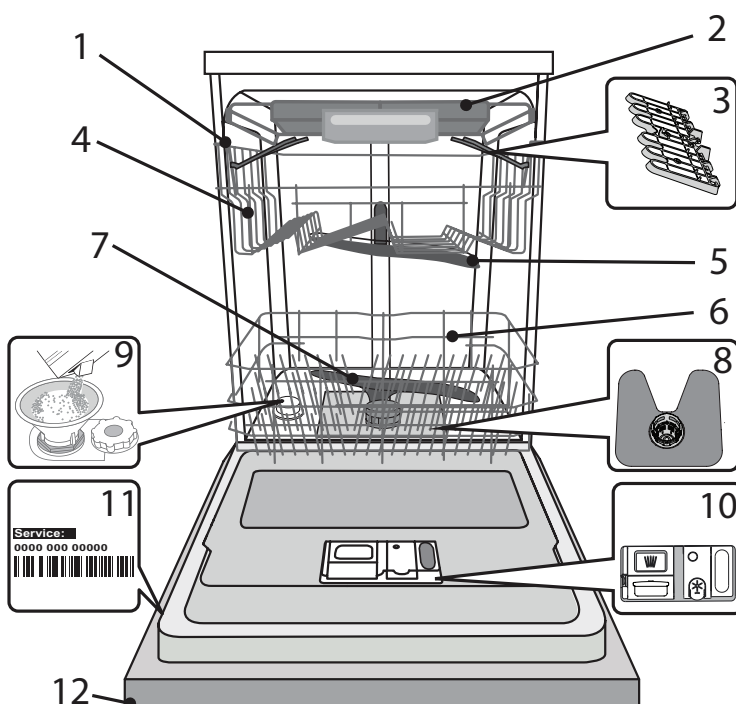
PLEASE SCAN THE QR CODE ON YOUR APPLIANCE IN ORDER TO HAVE MORE DETAILED INFORMATION



⚠ Before using the appliance carefully read Safety Instructions.

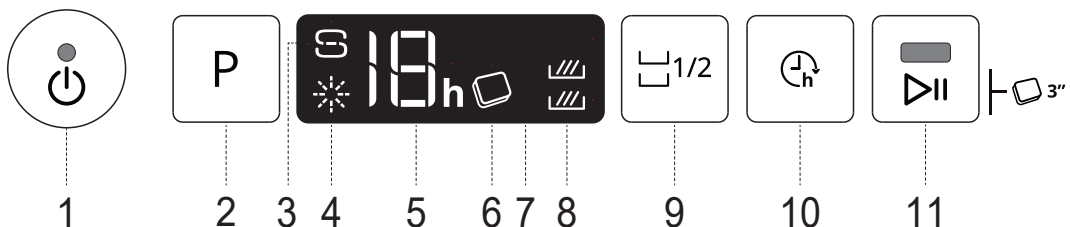
PRODUCT DESCRIPTION

APPLIANCE



1. Upper rack
2. Cutlery rack
3. Foldable flaps
4. Upper rack height adjuster
5. Upper spray arm
6. Lower rack
7. Lower spray arm
8. Filter Assembly
9. Salt reservoir
10. Detergent and Rinse Aid dispensers
11. Rating plate
12. Control panel

CONTROL PANEL



1. ON-OFF/Reset button with indicator light
2. Program selection button
3. Salt refill indicator light
4. Rinse Aid refill indicator light
5. Program number and delay time indicator
6. Tablet indicator light
7. Display
8. Half Load indicator lights
9. Half Load button
10. Delay button
11. START/Pause button with indicator light / Tab

FIRST TIME USE

SALT, RINSE AID AND DETERGENT


ADVICE REGARDING THE FIRST TIME USE

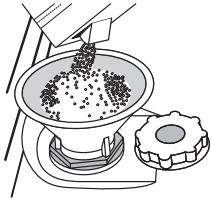
After installation, remove the stoppers from the racks and the retaining elastic elements from the upper rack.

FILLING THE SALT RESERVOIR

The use of salt prevents the formation of LIMESCALE on the dishes and on the machine's functional components.

- It is mandatory that **THE SALT RESERVOIR NEVER BE EMPTY.**
- It is important to set the water hardness.

The salt reservoir is located in the lower part of the dishwasher (see *PRODUCT DESCRIPTION*) and must be filled when the **SALT REFILL indicator light**  in the control panel is lit.



1. Remove the lower rack and unscrew the reservoir cap (anticlockwise).
2. **Only the first time you do this: fill the salt reservoir with water.**
3. Position the funnel (see figure) and fill the salt reservoir right up to its edge (approximately 1 kg); it is not unusual for a little water to leak out.
4. Remove the funnel and wipe any salt residue away from the opening.

Make sure the cap is screwed on tightly, so that no detergent can get into the container during the wash program (this could damage the water softener beyond repair).

Whenever you need to add salt, it is mandatory to complete the procedure before the beginning of the washing cycle to avoid corrosion.

SETTING THE WATER HARDNESS

To allow the water softener to work in a perfect way, it is essential that the water hardness setting is based on the actual water hardness in your house. This information can be obtained from your local water supplier.

The factory sets the default value for the water hardness.

- Switch on the appliance by pressing the **ON/OFF** button.
- Switch off the appliance by pressing the **ON/OFF** button.
- Hold down button **P** for 5 seconds, until you hear a beep.
- Switch on the appliance by pressing the **ON/OFF** button.
- The current selection level number and the salt indicator light both flash.
- Press button **P** to select the desired hardness level (see *WATER HARDNESS TABLE*).

Water Hardness Table				
Level		°dH German degrees	°fH French degrees	°Clark English degrees
1	Soft	0 - 6	0 - 10	0 - 7
2	Medium	7 - 11	11 - 20	8 - 14
3	Average	12 - 16	21 - 29	15 - 20
4	Hard	17 - 34	30 - 60	21 - 42
5	Very hard	35 - 50	61 - 90	43 - 62

- Switch off the appliance by pressing the **ON/OFF** button.

Setting is complete!

As soon as this procedure is complete, run a program without loading.

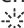
Only use salt that has been specifically designed for dishwashers.

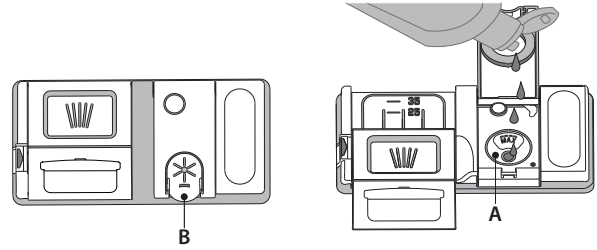
After the salt has been poured into the machine, the SALT REFILL indicator light switches off.

If the salt container is not filled, the water softener and the heating element may be damaged as a result of limescale accumulation.

Using of Salt is recommended with any type of dishwasher detergent.

FILLING THE RINSE AID DISPENSER

Rinse aid makes dish DRYING easier. The rinse aid dispenser **A** should be filled when the **RINSE AID REFILL indicator light**  in the control panel is lit.



1. Open the dispenser **B** by pressing and pulling up the tab on the lid.
 2. Pour in the rinse aid (max.110 ml), making sure it does not overflow from the dispenser. If this happens, clean the spill immediately with a dry cloth.
 3. Press the lid down until you hear a click to close it.
- NEVER pour the rinse aid directly into the appliance tub.**

ADJUSTING THE DOSAGE OF RINSE AID

If you are not completely satisfied with the drying results, you can adjust the quantity of rinse aid used.

- Switch the dishwasher on using the **ON/OFF** button.
- Switch it off using the **ON/OFF** button.
- Press button **P** three times - a beep will be heard.
- Switch it on using the **ON/OFF** button.
- The current selection level number and rinse aid indicator light flash.
- Press button **P** to select the level of rinse aid quantity to be supplied.
- Switch it off using the **ON/OFF** button

Setting is complete!

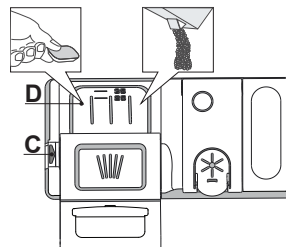
If the rinse aid level is set to ZERO (ECO), no rinse aid will be supplied. The LOW RINSE AID indicator light will not be lit if you run out of rinse aid.

A maximum of 5 levels can be set according to the dishwasher model. The factory setting is specific to the model, please follow instruction above to check this for your machine.

- If you see bluish streaks on the dishes, set a low number (1-2).
- If there are drops of water or limescale marks on the dishes, set a mid-range number (3-4).

FILLING THE DETERGENT DISPENSER

To open the detergent dispenser use the opening device C. Introduce the detergent into the dry dispenser D only. Place the amount of detergent for pre-washing directly inside the tub.



1. When measuring out the detergent refer to the mentioned earlier information to add the proper quantity. Inside the dispenser **D** there are indications to help the detergent dosing.
2. Remove detergent residues from the edges of the dispenser and close the cover until it clicks.
3. Close the lid of the detergent dispenser by pulling it up until the closing device is secured in place.

The detergent dispenser automatically opens up at the right time according to the program.

If all-in-one detergents are used, we recommend using the **TABLET** button, because it adjusts the program so that the best washing and drying results are always achieved.

Usage of detergent not designed for dishwashers may cause malfunction or damage to the appliance.

PROGRAMS TABLE

Program	Drying phase	Natu-ralDry	Available options ^{*)}	Duration of wash program (h:min) ^{**)}	Water consumption (litres/cycle)	Energy consumption (kWh/cycle)	
1. Eco	ECO 50°	✓	✓		3:10	8.9	0.75
2. Intensive	65°	✓	✓		2:50	17.0	1.60
3. 6 th Sense®	50-60°	✓	✓		1:25 - 3:00	7.0 - 14.0	0.90 - 1.40
4. Fast Wash&Dry	50°	✓	✓		1:25	11.5	1.10
5. Rapid 30'	50°	✗	✓		0:30	9.0	0.50
6. Silent	50°	✓	✓		3:30	16.0	1.15
7. Sanitizing	65°	✓	✗		1:50	12.0	1.30
8. Prewash	-	✗	✗		0:12	4.5	0.01
9. Self-Clean	65°	✗	✗		0:50	8.0	0.85

ECO program data is measured under laboratory conditions according to European Standard EN 60436:2020.

Note for Test Laboratories:

For information on comparative EN testing conditions, please send an email to the following address: dw_test_support@europeanappliances.com

Pre-treatment of the dishes is not needed before any of the programs.

*) Not all options can be used simultaneously.

***) Values given for programs other than the program Eco are indicative only. The actual time may vary depending on many factors such as temperature and pressure of the incoming water, room temperature, amount of detergent, quantity and type of load, load balancing, additional selected options and sensor calibration. The sensor calibration can increase program duration up to 20 min.

PROGRAMS DESCRIPTION

Instructions on wash cycle selection.

1 ECO

Eco programme is suitable to clean normally soiled tableware, that for this use, it is the most efficient programme in terms of its combined energy and water consumption, and that it is used to assess compliance with the EU Ecodesign legislation.

2 INTENSIVE

Program recommended for heavily soiled crockery, especially suitable for pans and saucepans (not to be used for delicate items).

3 6th SENSE®

For normally soiled dishes with dried food residues. Senses the level of soiling on the dishes and adjusts the program accordingly.

4 FAST WASH&DRY

Normally soiled crockery. Everyday cycle, that ensures optimal cleaning and drying performance in shorter time.

5 RAPID 30'

Program to be used for half load of lightly-soiled dishes with no dried food residues. Does not include drying phase.

6 SILENT

Suitable for night-time operation of the appliance. Ensures optimal cleaning and drying performance with the lowest noise emission.

7 SANITIZING

Normally or heavily soiled crockery, with additional antibacterial wash. Can be used to perform maintenance of the dishwasher.

8 PREWASH

Use to refresh crockery planned to be washed later. No detergent to be used with this program.

9 SELF-CLEAN

Program to be used to perform maintenance of the dishwasher, to be carried out only when the dishwasher is EMPTY using specific detergents designed for dishwasher maintenance.

Notes:

Please note that cycle *Rapid 30'* is dedicated for lightly soiled dishes.

OPTIONS AND FUNCTIONS

OPTIONS can be selected directly by pressing the corresponding button (see *CONTROL PANEL*).

If an option is not compatible with the selected program see *PROGRAMS TABLE*, the corresponding LED flashes rapidly 3 times and beeps will sound. The option will not be enabled.

1/2 HALF LOAD

If there are not many dishes to be washed, a half loading may be used in order to save water, electricity and detergent. Select the program and press the HALF LOAD button: the indicator light will light up. Press the HALF LOAD button to deselect this option.

Remember to halve the amount of detergent.

TABLET (Tab)

This setting allows you to optimize the performance of the program according to the type of detergent used. Press the START/PAUSE button for 3 seconds (the corresponding symbol will light up) if you use combined detergents in tablet form (rinse aid, salt and detergent in 1 dose).

If you use powder or liquid detergent, this option should be off.

DELAY

The start time of the program may be delayed for a period of time between **1** and **12** hours.

1. Press the DELAY button: the corresponding «h» symbol appears on the display; each time you press the button, the time (1h, 2h, etc. up to max. 12h) from the start of the selected wash cycle will be increased.
2. Select the wash program, press the START/PAUSE button and within 4 seconds close the door: the timer will begin counting down.
3. Once this time has elapsed, the indicator light «h» switches off and the wash cycle begins.

To adjust the delay time and select a shorter period of time, press the DELAY button. To cancel it, press the button repeatedly until the selected delayed start indicator light «h» switches off.

The DELAY function cannot be set once a wash cycle has been started.

NaturalDry

NaturalDry is a convection drying system which automatically opens the door during/after drying phase to ensure exceptional drying performance every day. Door opens at the temperature that is safe to your kitchen furniture.

As additional steam protection, special designed protection foil is added together with the dishwasher. To see how to mount protection foil please refer to (*INSTALLATION GUIDE*).

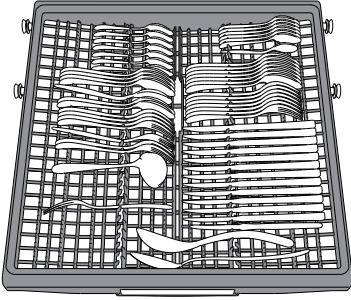
NaturalDry functionality could be disabled by the user as follows:

1. Go to the Dishwasher software menu pressing and holding **P** button (6 sec).
2. You switched to *NaturalDry* Control Menu, you could change status of *NaturalDry* functionality by pressing **P** button:
E – enabled **d** – disabled

To confirm the change and exit from the Control Menu please press and hold **P** button (3 sec).

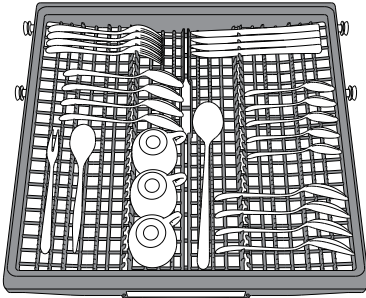
LOADING THE RACKS

CUTLERY RACK



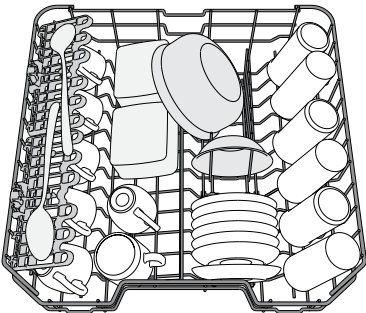
The third rack was designed to house the cutlery. Arrange the cutlery as shown in the figure. A separate arrangement of the cutlery makes collection easier after washing and improves washing and drying performance.

Knives and other utensils with sharp edges must be positioned with the blades facing downwards.



The geometry of the rack makes it possible to place such small items as coffee cups in the area in the middle.

UPPER RACK



(loading example for the upper rack)

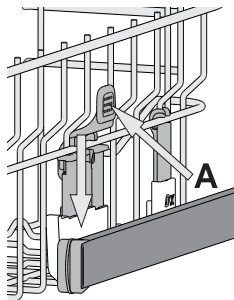
ADJUSTING THE HEIGHT OF THE UPPER RACK

The height of the upper rack can be adjusted: high position to place bulky crockery in the lower basket and low position to make the most of the tip-up supports by creating more space upwards and avoid collision with the items loaded into lower rack.

The upper rack is equipped with a **Upper Rack height adjuster** (see figure), without pressing the levers, lift it up by simply holding the rack sides, as soon as the rack is stable in its upper position. To restore to the lower position, press the levers **A** at the sides of the rack and move the basket downwards.

We strongly recommend that you do not adjust the height of the rack when it is loaded.

NEVER raise or lower the basket on one side only.

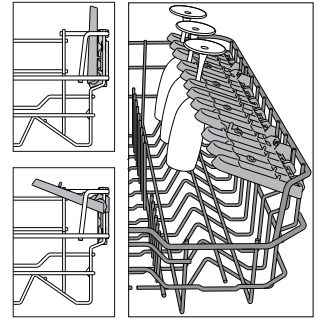


FOLDABLE FLAPS WITH ADJUSTABLE POSITION

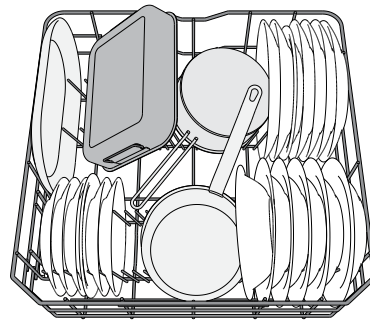
The side foldable flaps can be fold or unfold to optimize the arrangement of crockery inside the rack. Wine glasses can be placed safely in the foldable flaps by inserting the stem of each glass into the corresponding slots.

Depending on the model:

- to unfold the flaps there is needed to slide it up and rotate or release it from the snaps and pull it down.
- to fold the flaps there is needed to rotate it and slide flaps down or pull it up and attach flaps to the snaps.



LOWER RACK



(loading example for the lower rack)

For pots, lids, plates, salad bowls, cutlery etc. Large plates and lids should ideally be placed at the sides to avoid interferences with the spray arm.

DAILY USE

1. CHECK WATER CONNECTION

Check that the dishwasher is connected to the water supply and that the tap is open.

2. SWITCH ON THE DISHWASHER

Open the door and press the **ON/OFF** button.

3. LOAD THE RACKS (see *LOADING THE RACKS*).

4. FILLING THE DETERGENT DISPENSER

5. CHOOSE THE PROGRAM AND CUSTOMISE THE CYCLE

Select the most appropriate program in accordance with the type of crockery and its soiling level (see *PROGRAMS DESCRIPTION*) by pressing the **P** button.

Select the desired options (see *OPTIONS AND FUNCTIONS*).

6. START

Start the wash cycle by pressing **START/Pause** button (led is lit) and closing the door within 4 sec. When the program starts you hear a single beep. If the door was not closed within 4sec., the alarm sound will be played. In this case, open the door, press **START/Pause** button and close the door again within 4 sec.

7. END OF WASH CYCLE

The end of the wash cycle is indicated by beeps and by the flashing of the wash cycle number on the display. Open the door and switch off the appliance by pressing the **ON/OFF** button.

Wait for a few minutes before removing the crockery - to avoid burns. Unload the racks, beginning with the lower one.

The machine will switch off automatically during certain extended periods of inactivity, in order to minimise electricity consumption. If the crockery is only lightly soiled or if it has been rinsed with water before being placed in the dishwasher, reduce the amount of detergent used accordingly.

MODIFYING A RUNNING PROGRAM

If a wrong program was selected, it is possible to change it, provided that it has only just begun: open the door, press and hold the **ON/OFF** button, the machine will switch off.

Switch the machine back on using the **ON/OFF** button and select the new wash cycle and any desired options; Start the wash cycle by pressing **START/Pause** button (led is lit) and closing the door within 4 sec.

ADDING EXTRA CROCKERY

Without switching off the machine, open the door (**START/Pause** led starts blinking) (**be ware of HOT steam!**) and place the crockery inside the dishwasher. Press the **START/Pause** button and close the door within 4 sec., the cycle will resume from the point at which it was interrupted.

ACCIDENTAL INTERRUPTIONS

If the door is opened during the wash cycle, or if there is a power cut, the cycle stops. Press the **START/Pause** button and close the door within 4 sec., the cycle will resume from the point at which it was interrupted.

ADVICE AND TIPS

TIPS

Before loading the baskets, remove all food residues from the crockery and empty the glasses. **You do not need to rinse beforehand under running water.**

Arrange the crockery so that it is held in place firmly and does not tip over; and arrange the containers with the openings facing downwards and the concave/convex parts placed obliquely, thus allowing the water to reach every surface and flow freely.

Warning: lids, handles, trays and frying pans do not prevent the sprayer arms from rotating.

Place any small items in the cutlery basket.

Very soiled dishes and pans should be placed in the lower basket because in this sector the water sprays are stronger and allow a higher washing performance.

After loading the appliance, make sure that the sprayer arms can rotate freely.

UNSUITABLE CROCKERY

- Wooden crockery and cutlery.
- Delicate decorated glasses, artistic handicraft and antique crockery. Their decorations are not resistant.
- Parts in synthetic material which do not withstand high temperatures.
- Copper and tin crockery.
- Crockery soiled with ash, wax, lubricating grease or ink.

The colours of glass decorations and aluminium/silver pieces can change and fade during the washing process. Some types of glass (e.g. crystal objects) can become opaque after a number of wash cycles too.

DAMAGE TO GLASS AND CROCKERY

- Only use glasses and porcelain guaranteed by the manufacturer as dishwasher safe.
- Use a delicate detergent suitable for crockery
- Collect glasses and cutlery from the dishwasher as soon as the wash cycle is over.

TIPS ON ENERGY SAVING

- When the household dishwasher is used according to the manufacturer's instructions, **washing tableware in a dishwasher usually consumes less energy and water than hand dishwashing.**
- In order to maximize dishwasher efficiency it is recommended to **initiate the wash cycle once dishwasher is fully loaded.** Loading the household dishwasher up to the capacity indicated by the manufacturer will contribute to energy and water savings. Information on correct loading of tableware can be found in Loading chapter. In case of partial loading it is recommended to use dedicated wash options if available (Half load/ Zone Wash, Multizone), filling up only selected racks. Incorrect loading or overloading the dishwasher may increase resources usage (such as water, energy and time, as well as increase noise level), reducing cleaning and drying performance.
- Manual pre-rinsing of tableware items leads to increased water and energy consumption and is not recommended.

HYGIENE

To avoid odour and sediment which can be accumulated in the dishwasher **please run a high temperature program at least one a month.** Use a tea spoon of detergent and run it without the loading to clean your appliance.

CARE AND MAINTENANCE

CLEANING THE FILTER ASSEMBLY

Regularly clean the filter assembly so that the filters do not clog and that the waste water flows away correctly.

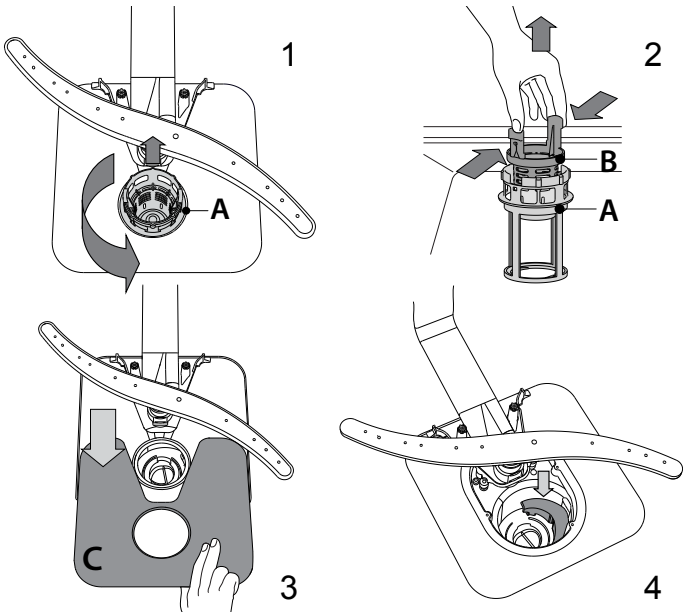
Using dishwasher with clogged filters or foreign objects inside filtration system or sprayarms may cause unit malfunction resulting in lose of performance, noisy work or higher resources usage.

The filter assembly consists of three filters which remove food residues from the washing water and then recirculate the water.

The dishwasher must not be used without filters or if the filter is loose.

At least once per month or after each 30 cycles, check the filter assembly and if necessary clean it thoroughly under running water, using a non-metallic brush and following the instructions below:

1. Turn the cylindrical filter **A** in an anti-clockwise direction and pull it out (Fig 1).
2. Remove the cup filter **B** by exerting a slight pressure on the side flaps (Fig 2).
3. Slide out the stainless-steel plate filter **C** (Fig 3).
4. In case you find foreign objects (such as broken glass, porcelain, bones, fruit seeds etc.) **please remove them carefully**.
5. Inspect the trap and remove any food residues. **NEVER REMOVE** the wash-cycle pump protection (black detail) (Fig 4).



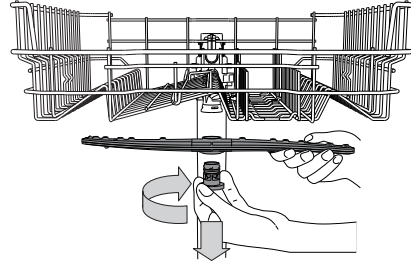
After cleaning the filters, replace the filter assembly and fix it in position correctly; this is essential for maintaining the efficient operation of the dishwasher.

CLEANING THE WATER INLET HOSE

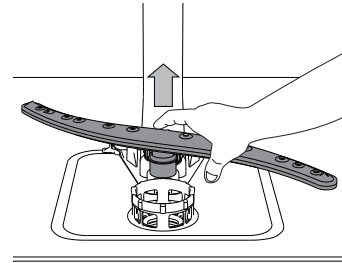
If the water hoses are new or have not been used for an extended period of time, let the water run to make sure it is clear and free of impurities before performing the necessary connections. If this precaution is not taken, the water inlet could become blocked and damage the dishwasher.

CLEANING THE SPRAY ARMS

On occasions, food residue may become encrusted onto the spray arms and block the holes used to spray the water. It is therefore recommended that you check the arms from time to time and clean them with a small non-metallic brush.



To remove the upper spray arm, turn the plastic locking ring in a clockwise direction. The upper spray arm should be replaced so that the side with the greater number of holes is facing upwards.



The lower spray arm may be removed by pulling it upwards.

WATER SOFTENING SYSTEM

Water softener automatically reduces water hardness, consequently preventing scale buildup on heater, contributing also to better cleaning efficiency.

This system regenerates itself with salt, therefore it is required to refill salt container when empty.



Frequency of regeneration depends on water hardness level setting - regeneration takes place once per **6** Eco cycles with water hardness level set to **3**.

Regeneration process starts in final rinse and finishes in drying phase, before cycle ends.

- Single regeneration consumes: ~3.5L of water;
- Takes up to 5 additional minutes for the cycle;
- Consumes below 0.005kWh of energy.

TROUBLESHOOTING

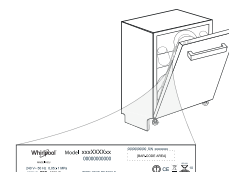
In case your dishwasher doesn't work properly, check if the problem can be solved by going through the following list. For other errors or issues please contact authorized After-sales Service which contact details can be found in the warranty booklet. Spare parts will be available for a period of either up to 7 or up to 10 years, according to the specific Regulation requirements.

PROBLEMS	POSSIBLE CAUSES	SOLUTIONS
 Salt indicator is lit	Salt reservoir is empty. (After refill the salt indicator may remain lit for several wash cycles).	Refill reservoir with salt (for more information - see page 2). Adjust water hardness - see table, page 2.
 Rinse aid indicator is lit	Rinse aid dispenser is empty. (After refill the rinse aid indicator may remain lit for several wash cycles).	Refill dispenser with rinse aid (for more information - see page 2).
The dishwasher won't start or does not respond to commands.	The appliance has not been plugged in properly.	Insert the plug into the socket.
	Power outage.	For safety reasons, dishwasher will not re-start automatically when power returns. Open dishwasher door, press START/Pause button and close the door within 4 seconds.
	The dishwasher door is not closed. NaturalDry pin is not pulled in.	Vigorously push the door until you hear the "click".
	Cycle is interrupted by door opening for more than 4 seconds.	Press START/Pause and close the door within 4 seconds.
The dishwasher won't drain. Display shows: 3 and On/Off LED is blinking rapidly	It does not respond to commands. Display shows: 9 or 12 and On/Off LED is blinking rapidly	Switch off the appliance by pressing the ON/OFF button, switch it back on after approximately one minute and restart the program. If problem persists, unplug the appliance for 1 minute, then plug it back in.
	The wash cycle has not finished yet.	Wait until the wash cycle finishes.
	The drain hose is bent.	Check that the drain hose is not bent (see <i>INSTALLATION INSTRUCTION</i>).
	The sink drain pipe is blocked.	Clean the sink drain pipe.
The dishwasher makes excessive noise.	The filter is clogged up with food residues.	Clean the filter (see <i>CLEANING THE FILTER ASSEMBLY</i>).
	The dishes are rattling against each other. An excessive amount of foam has been produced.	Position the crockery correctly (see <i>LOADING THE RACKS</i>). The detergent has not been measured out correctly or it is not suitable for use in dishwashers (see <i>FILLING THE DETERGENT DISPENSER</i>). Restart the current cycle by switching OFF the dishwasher, then switch it on again, select a new program, press START/Pause and close the door within 4 seconds. Please do not add any detergent.
The dishes are not clean.	The crockery has not been arranged properly.	Arrange the crockery correctly (see <i>LOADING THE RACKS</i>).
	The spray arms cannot rotate freely, being hindered by the dishes.	Arrange the crockery correctly (see <i>LOADING THE RACKS</i>).
	The wash cycle is too gentle.	Select an appropriate wash cycle (see <i>PROGRAMS TABLE</i>).
	An excessive amount of foam has been produced.	The detergent has not been measured out correctly or it is not suitable for use in dishwashers (see <i>FILLING THE DETERGENT DISPENSER</i>).
	The cap on the rinse aid compartment has not been shut correctly.	Make sure the cap of the rinse aid dispenser is closed.
	The filter is soiled or clogged.	Clean the filter assembly (see <i>CARE AND MAINTENANCE</i>).
The dishwasher does not fill the water. Display shows: H , 6 and On/Off LED is blinking rapidly	There is no salt.	Fill the salt reservoir (see <i>FILLING THE SALT RESERVOIR</i>).
	No water in the water supply or the tap is closed.	Make sure there is water in the water supply or the tap running.
	The inlet hose is bent.	Make sure the inlet hose is not bent (see <i>INSTALLATION</i>) reprogram the dishwasher and reboot.
Dishwasher finishes the cycle prematurely. Display shows: 15 and On/Off LED is blinking rapidly	The sieve in the water inlet hose is clogged; it is necessary to clean it	After having carried out the verification and cleaning, turn off and turn on the dishwasher and restart a new program.
	Drain hose positioned too low or siphoning into home sewage system.	Check if end of drain hose is placed at correct height (see <i>INSTALLATION</i>). Check for siphoning into home sewage system, install air admittance valve if necessary.
Detergent leaks.	Air in water supply.	Check water supply for leaks or other issues letting air inside.
	Depends on the liquid detergent used and can be emphasized in case of delay option is activated.	Small leaks will not cause machine malfunction and can be avoided by changing liquid detergent type or using tablets.

Policies, standard documentation, ordering of spare parts and additional product information can be found by:

- Using QR code on your product.
- Visiting our website docs.whirlpool.eu/docs and parts-selfservice.europeanappliances.com
- Alternatively, **contact our After-sales Service** (See phone number in the warranty booklet).
When contacting our After-sales Service, please state the codes provided on your product's identification plate.

The model information can be retrieved using the QR-Code reported in the energy label. The label also includes the model identifier that can be used to consult the portal of the registry at <https://eprel.ec.europa.eu>.



РЪКОВОДСТВО ЗА ВСЕКИДНЕВНА СПРАВКА



БЛАГОДАРИМ ВИ, ЧЕ ЗАКУПИХТЕ ПРОДУКТ НА WHIRLPOOL. За да получавате по-пълно съдействие, регистрирайте Вашия уред на: www.whirlpool.eu/register

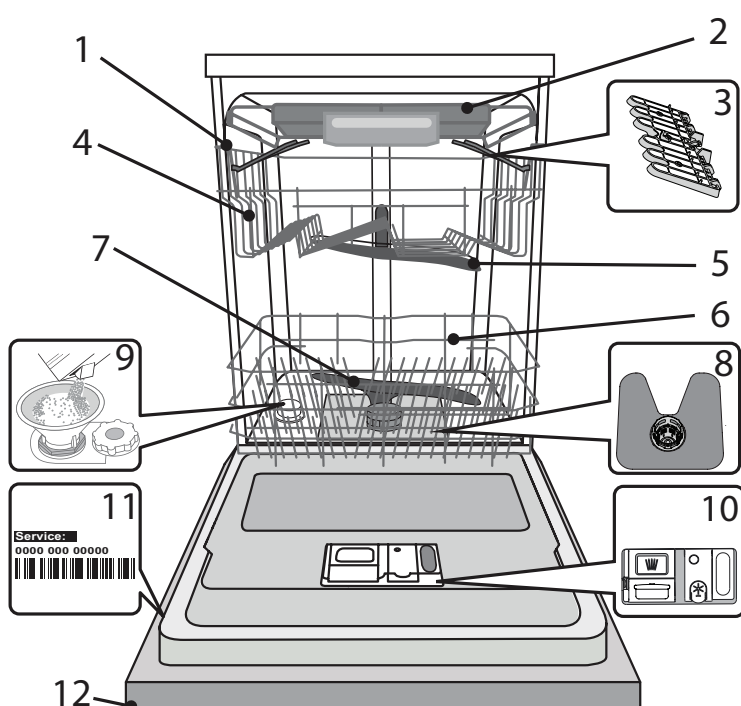
ЗА ПОЛУЧАВАНЕ НА ПО-ПОДРОБНА ИНФОРМАЦИЯ, МОЛЯ, СКАНИРАЙТЕ QR КОДА НА ВАШИЯ УРЕД



⚠ Преди да използвате уреда, прочетете внимателно Инструкциите за безопасност.

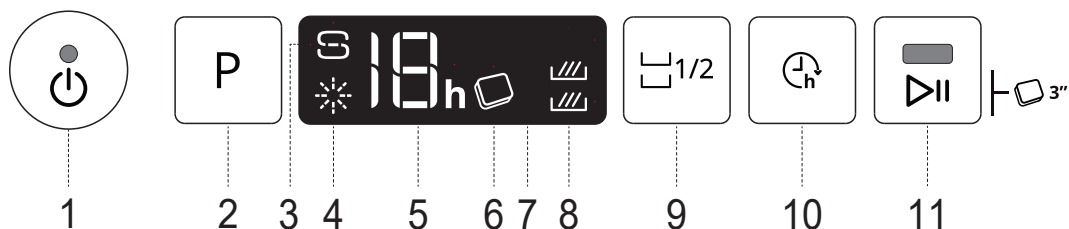
ОПИСАНИЕ НА ПРОДУКТА

УРЕД



1. Горна кошница
2. Кошница за прибори
3. Сгъваеми капаци
4. Регулатор за височината на горната кошница
5. Горно разпръскващо рамо
6. Долна кошница
7. Долно разпръскващо рамо
8. Филтърен възел
9. Резервоар за сол
10. Дозатори за препарат и помощно средство за изплакване
11. Табелка с данни
12. Контролен панел

КОНТРОЛЕН ПАНЕЛ



1. Бутон Вкл.-Изкл. / Нулиране със светлинен индикатор
2. Бутон за избиране на програма
3. Светлинен индикатор за зареждане на сол
4. Светлинен индикатор за зареждане на помощно средство за изплакване
5. Индикатор за номер на програма и индикатор за време на забавяне
6. Светлинен индикатор за Таблетки (Tab)
7. Дисплей
8. Светлинен индикатор за Половин Зареждане
9. Бутон за Половин Зареждане
10. Бутон за Отлагане
11. Бутон Старт/Пауза със светлинен индикатор / Таблетки (Tab)

УПОТРЕБА ЗА ПРЪВ ПЪТ

СОЛ, ПОМОЩНО СРЕДСТВО ЗА ИЗПЛАКВАНЕ И ПОЧИСТВАЩ ПРЕПАРАТ

СЪВЕТИ ЗА УПОТРЕБА ЗА ПЪРВИ ПЪТ

След монтаж отстранете блокиращите елементи от кошниците и задържащите ластички от горната кошница.

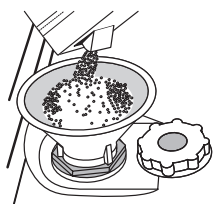
ЗАРЕЖДАНЕ НА РЕЗЕРВОАРА ЗА СОЛ

Използването на сол предотвратява образуването на КОТЛЕН КАМЪК по съдовете и функционалните компоненти на машината.

- Задължително е **РЕЗЕРВОАРЪТ ЗА СОЛ НИКОГА ДА НЕ ОСТАВА ПРАЗЕН**.

- Важно е да зададете твърдостта на водата.

Резервоарът за сол се намира в долната част на миялната машина (вж. „ОПИСАНИЕ НА ПРОДУКТА“) и трябва да се допълва, когато **индикаторът ДОПЪЛВАНЕ НА СОЛ** на контролния панел светне.



- Отстранете долната кошница и развийте капачката на резервоара (обратно на часовниковата стрелка).
- Само първия път правите това: напълнете резервоара за сол с вода.**
- Поставете фунията (вж. фигурата) и напълнете резервоара за сол до ръба (около 1 kg); Не е необичайно да изтече малко вода.
- Отстранете фунията и забършете остатъците от сол от отвора.

Уверете се, че капачката е завита здраво, така че по време на програмата за миене препаратът да не може да влезе в резервоара (това може да повреди непоправимо омекотителя за вода).

Когато е необходимо да добавите сол, е задължително да направите това преди започване на цикъла на измиване, за да се избегне корозия.

НАСТРОЙВАНЕ НА ТВЪРДОСТТА НА ВОДАТА

За да може омекотителят за вода да работи идеално, е особено важно настройката за твърдостта на водата да се базира на реалната твърдост на водата в дома ви. Можете да получите тази информация от местния си доставчик на вода.

Нивото по подразбиране за твърдост на водата е фабрично зададено.

- Включете уреда, като натиснете бутона **ВКЛ./ИЗКЛ.**
- Изключете уреда, като натиснете бутона **ВКЛ./ИЗКЛ.**
- Натиснете и задръжте бутона **P** за 5 секунди, докато чуete звуков сигнал.
- Включете уреда, като натиснете бутона **ВКЛ./ИЗКЛ.**
- Номерът на текущо избраното ниво и светлинният индикатор за сол мигат.
- Натиснете бутона **P**, за да изберете желаното ниво на твърдост на водата (вж. **ТАБЛИЦА НА ТВЪРДОСТТА НА ВОДАТА**).

Таблица на твърдостта на водата			
Ниво	°dH Германски градуси	°fH Френски градуси	°Clark Английски градуси
1	Мека	0 - 6	0 - 10
2	Умерена	7 - 11	11 - 20
3	Средна	12 - 16	21 - 29
4	Твърда	17 - 34	30 - 60
5	Много твърда	35 - 50	61 - 90

- Изключете уреда, като натиснете бутона **ВКЛ./ИЗКЛ.**

Настройката е завършена!

Веднага след завършването на процедурата пуснете програмата без съдове.

Използвайте само сол, която е предназначена специално за съдомиялни машини.

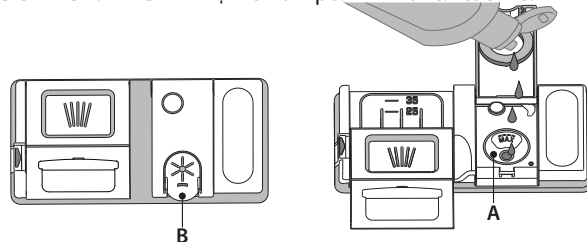
След като поставите сол в машината, светлинният индикатор **ЗАРЕЖДАНЕ НА СОЛ** се изключва.

Ако контейнерът за сол не бъде напълнен, възможно е в резултат на натрупване на варовик да се повреди омекотителят за вода и нагревателният елемент.

Използването на сол е препоръчително с всякакъв тип миялен препарат.

ЗАРЕЖДАНЕ НА ДОЗАТОРА ЗА ПОМОЩНО СРЕДСТВО ЗА ИЗПЛАКВАНЕ

Помощното средство за изплакване улеснява СУШЕНЕТО. Дозаторът за помощното средство за изплакване **A** трябва да се пълни, когато светлинният индикатор **ЗАРЕЖДАНЕ НА ПОМОЩНО СРЕДСТВО ЗА ИЗПЛАКВАНЕ** на контролния панел светне.



- Отворете дозатора **B**, като натиснете и дръпнете нагоре издатината на капака.
- Внимателно добавете помощното средство за изплакване до максималната (110 ml) референтна маркировка на мястото за пълнене - избягвайте да разливате. Ако това се случи, почистете разливането незабавно със суха кърпа
- Натиснете капака надолу, докато чуete щракване, за да го затворите. **НИКОГА НЕ НАЛИВАЙТЕ ПОМОЩНОТО СРЕДСТВО ЗА ИЗПЛАКВАНЕ НАПРАВО ВЪВ ВАНИЧКАТА.**

РЕГУЛИРАНЕ НА ДОЗИРАНЕТО НА ПОМОЩНОТО СРЕДСТВО ЗА ИЗПЛАКВАНЕ

Ако не сте напълно доволни от резултатите от сушенето, можете да регулирате използваното количество помощно средство за изплакване.

- Включете съдомиялната машина с бутона **ВКЛ./ИЗКЛ.**
- Изключете я с бутона **ВКЛ./ИЗКЛ.**
- Натиснете бутона **СТАРТ/ПАУЗА** три пъти - ще чуete звуков сигнал.
- Включете я с бутона **ВКЛ./ИЗКЛ.**
- Номерът на текущо избраното ниво и светлинният индикатор за помощно средство за изплакване мигат.
- Натиснете бутона **P**, за да изберете желаното ниво на количеството помощно средство за изплакване.
- Изключете я с бутона **ВКЛ./ИЗКЛ.**

Настройката е завършена!

Ако нивото на помощното средство за изплакване е зададено на НУЛА (ЕКО), няма да се подава помощно средство за изплакване. Светлинният индикатор **НИСКО НИВО НА ПОМОЩНОТО СРЕДСТВО ЗА ИЗПЛАКВАНЕ** няма да светне, ако помощното средство се изчерпи.

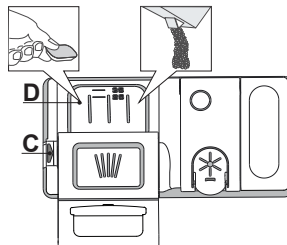
Според модела на съдомиялната машина могат да се задават максимум 5 нива, Фабричната настройка е специфична за всеки модел; следвайте инструкциите по-горе, за да проверите отнася ли се настройката за Вашата машина.

- Ако видите синкави петна по съдовете, задайте нисък номер (1-2).
- Ако по съдовете има капки вода или следи от котлен камък, задайте висок номер (3-4).

ЗАРЕЖДАНЕ НА ДОЗАТОРА ЗА МИЯЛЕН ПРЕПАРАТ

За да отворите дозатора за препарат, използвайте приспособление **C**.

Налейте препаратата само в сухия дозатор **D**. Поставете количеството препарат за предварително измиване направо във ваничката.



- При измерване на препаратата правете справка със споменатата информация по-горе, за да добавите подходящо количество. в дозатора **D** има индикатори, за да помогнат за дозирането на миялния препарат.
- Отстранете остатъците от препарат от ръбовете на дозатора и затворете капака, докато щракне.
- Затворете капака на дозатора за препарат, като го дръпнете нагоре, докато приспособлението за затваряне се закрепи на място.

Дозаторът за препарат се отваря автоматично в правилния момент според програмата. Ако се използват многофункционални препарати, препоръчваме да използвате бутона **ТАБЛЕТКИ**, тъй като той регулира програмата за постигане на винаги най-добри резултати при миене и сушене. **Използването на миялен препарат, който не е предназначен за съдомиялни машини, може да причини неизправност или повреда на уреда.**

ТАБЛИЦА НА ПРОГРАМИТЕ

Програма	Фаза на сушене	NaturalDry	Налични опции *)	Времетраене на програмата за миене (ч:мин)**)	Потребление на вода (литра/програма)	Потребление на енергия (kWh/програма)
1. Еко ECO 50°	✓	✓	1/2	3:10	8,9	0,75
2. Интензивна	✓	✓	1/2	2:50	17,0	1,60
3. 6 th Sense®	✓	✓	1/2	1:25 - 3:00	7,0 - 14,0	0,90 - 1,40
4. Бързо измиване и сушене	✓	✓	1/2	1:25	11,5	1,10
5. Бърза 30'	✗	✓		0:30	9,0	0,50
6. Безшумна	✓	✓		3:30	16,0	1,15
7. Дезинфекциране	✓	✗		1:50	12,0	1,30
8. Предв. изплакване	✗	✗	1/2	0:12	4,5	0,01
9. Самопочистване	✗	✗		0:50	8,0	0,85

Данните за програмата ЕКО са измерени в лабораторни условия съгласно Европейски стандарт EN 60436:2020.

Бележки за тестовите лаборатории: за информация относно сравнителните с EN тестови условия изпратете имейл на следния адрес: dw_test_support@europeanappliances.com.

Не е необходимо предварително третиране на съдовете преди пускане на която и да било програма.

*) Не всички опции могат да се използват едновременно.

**) Стойностите, дадени за програмите, с изключение на програмата Еко, са само ориентировъчни. Реалното време може да се различава в зависимост от множество фактори, като температурата и налягането на подаваната вода, температурата в помещението, количеството препарат, количеството и вида на зареждането, балансирането на зареждането, допълнителните избрани опции и калибрирането на сензора. Калибрирането на сензора може да увеличи продължителността на програмата с до 20 мин.

ОПИСАНИЕ НА ПРОГРАМИТЕ

Указания за избор на програма за миене.

1 ЕКО

Програмата Еко е подходяща за почистване на нормално замърсена домакинска посуда, като използвана по този начин, програмата е най-ефективна по отношение на комбинираното потребление на енергия и вода и отговаря на законодателството на ЕС по отношение на екологичния дизайн.

2 ИНТЕНЗИВНА

Програма, препоръчвана за силно замърсени съдове, особено подходяща за тигани и тенджери (да не се използва за фини изделия).

3 6th SENSE®

За нормално замърсени съдове със залепнали остатъци от храна. Открива нивото на замърсяване на съдовете и регулира програмата.

4 БЪРЗО ИЗМИВАНЕ И СУШЕНЕ

Нормално замърсени съдове. Всекидневна програма, която осигурява оптимална ефективност на почистването и изсушаването за по-кратко време.

5 БЪРЗА 30'

Програма, която да се използва при наполовина пълна съдомиялна или леко замърсени съдове без засъхнали остатъци от храна. Няма фаза на сушене.

6 БЕЗШУМНА

Подходяща за пускане на уреда през нощта. Осигурява оптимална ефективност на почистването и изсушаването с най-малко шумови емисии.

7 ДЕЗИНФЕКЦИРАНЕ

Нормално или силно замърсени съдове, с допълнително антибактериално измиване. Програма, която да се използва за поддръжка на съдомиялната машина.

8 ПРЕДВАРИТЕЛНО ИЗМИВАНЕ

Използва се за освежаване на съдовете, които ще бъдат измити по-късно. За тази програма не се използва препарат.

9 САМОПОЧИСТВАНЕ

Програмата, която се използва за извършване на поддръжка на съдомиялната машина, следва да се изпълнява само когато машината е ПРАЗНА и с препарати, специално предназначени за поддръжка на съдомиялната машина.

Забележки:

Имайте предвид, че програмата Бърза 28' е предназначена за леко замърсени съдове.

ОПЦИИ И ФУНКЦИИ

ОПЦИИТЕ могат да се избират директно с натискане на съответния бутон (вж. КОНТРОЛЕН ПАНЕЛ).

Ако дадена опция не е съвместима с избраната програма (вж. ТАБЛИЦА НА ПРОГРАМИТЕ), съответният светодиод мига бързо 3 пъти и се чуват звукови сигнали. Опцията не се активира.

ПОЛОВИН ЗАРЕЖДАНЕ

Ако няма много чинии за миене, може да се използва половин зареждане, за да се спестят вода, електричество и препарат. Изберете програмата и натиснете бутона ПОЛОВИН ЗАРЕЖДАНЕ: светлинният индикатор светва. Натиснете бутона ПОЛОВИН ЗАРЕЖДАНЕ, за да отмените тази опция.

Не забравяйте да намалите количеството препарат наполовина.



ТАБЛЕТКИ (Tab)

Тази настройка позволява оптимизиране на ефективността на програмата в зависимост от типа на използвания препарат. Натиснете бутона СТАРТ/ПАУЗА за 3 секунди (съответният символ светва), ако използвате комбинирани препарати във формата на таблетки (помощно средство за изплакване, сол и препарат в 1 доза).

Ако използвате препарат на прах или течен, тази опция следва да е изкл.



ОТЛАГАНЕ

Стартирането на програмата може да се отложи за период от време между **1** и **12** часа.

1. Натиснете бутона ОТЛАГАНЕ: на дисплея се появява символът на съответния час «h»; при всяко натискане на бутона времето (1 ч, 2 ч и т.н, до макс, 12 ч) до началото на избраната програма за миене се увеличава.

2. Изберете програмата за миене, натиснете бутона СТАРТ/ПАУЗА и затворете вратичката в рамките на 4 секунди: таймерът ще започне отброяването,

3. След изтичане на времето светлинният индикатор «h» изгасва и цикълът на измиване започва.

За да коригирате времето за отлагане и да изберете по-кратък период, натиснете бутона ОТЛАГАН, За да отмените, натиснете бутона няколко пъти, докато светлинният индикатор за избрания отложен старт «h» се изключи.

Функцията ОТЛАГАНЕ не може да се зададе след стартиране на програмата.

NaturalDry

NaturalDry е конвекторна система за сушене, която автоматично отваря вратичката по време на/след фазата на сушене, за да осигури всекидневно изключителни резултати от сушенето, Вратичката се отваря при температура.

Като допълнителна защита от парата, със съдомиялната машина се предоставя специално проектирано предпазно фолио. За да видите как се монтира предпазното фолио, вижте РЪКОВОДСТВО ЗА МОНТАЖ, Потребителят може да деактивира системата *NaturalDry* по следния начин:

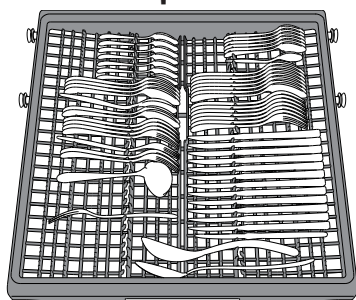
1. Влезте в менюто на софтуера на съдомиялната машина, като натиснете и задържите за 6 секунди бутона “P”.
2. Преминете в менюто за управление на системата *NaturalDry*; можете да промените работното състояние на системата *NaturalDry*, като натиснете бутона “P”:

E – активирана **d** – деактивирана

За потвърждаване на промяната и за излизане от менюто за управление натиснете и задържете за 3 секунди бутона “P”.

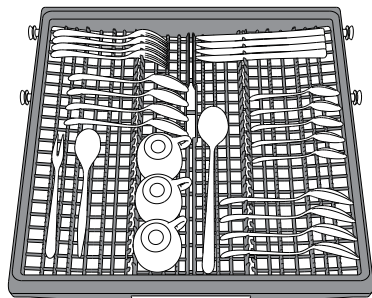
ЗАРЕЖДАНЕ НА КОШНИЦИТЕ

КОШНИЦА ЗА ПРИБОРИ



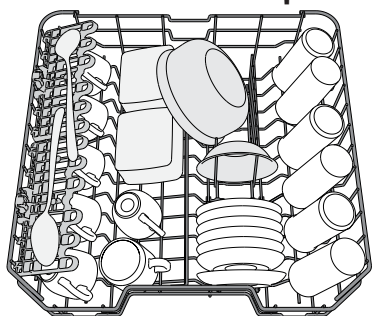
Третата кошница е проектирана за поставяне на прибори. Подредете приборите, както е показано на фигурата. Отделното подреждане на приборите прави събирането по-лесно след миене и подобрява ефективността на миенето и сушенето.

Ножовете и другите прибори с остри ръбове трябва да се поставят с остриетата надолу.



Геометрията на кошницата позволява поставянето на дребни артикули като чашки за кафе в областта в средата.

ГОРНА КОШНИЦА



Заредете деликатните и леки съдове: стъклени и порцеланови чашки, чинийки, ниски купи за салата.

(пример за зареждане на горната кошница)

РЕГУЛИРАНЕ НА ВИСОЧИНАТА НА ГОРНАТА КОШНИЦА

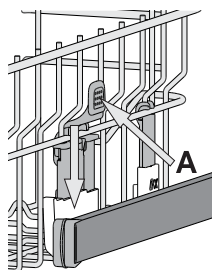
Височината на горната кошница може да се регулира: висока позиция за поставяне на обемни съдове в долната кошница и ниска позиция за пълноценно използване на наклонящите се опори, като се създава повече място нагоре и се избягва сблъскване с изделията в долната кошница.

Горната кошница е оборудвана с **Регулатор на височината на горната кошница** (вж. фигурата), без да натискате лостовете, повдигнете нагоре, като просто хванете кошницата от страни веднага след като кошницата стане стабилна в по-високата си позиция.

За да възстановите по-ниската позицията, натиснете лостовете **A** от страни на кошницата и преместете кошницата надолу.

Силно препоръчваме да не регулирате височината на кошницата, когато е заредена.

НИКОГА не повдигайте или спускате кошницата само от едната страна.



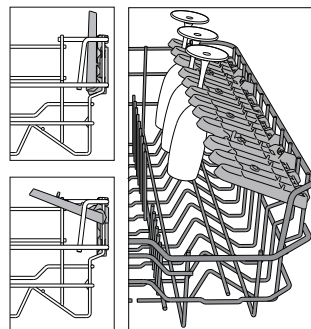
СГЪВАЕМИ КАПАЦИ С РЕГУЛИРУЕМА ПОЗИЦИЯ

Страничните капаци могат да се сгъват или разгъват, за да се оптимизира подреждането на съдовете в кошницата.

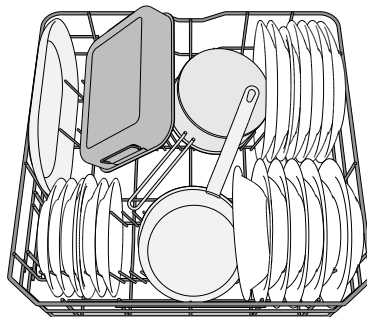
Чашите за вино могат да се поставят безопасно в сгъваемите капаци, като столчето на всяка чаша се вмъкне в съответния процеп.

В зависимост от модела:

- за да разгънете капациите, е необходимо да ги плъзнете нагоре и да ги завъртите или да ги освободите от закопчалките им и да ги издърпате надолу.
- за да сгънете капациите, е необходимо да ги завъртите и да плъзнете капациите надолу или да ги дръпнете нагоре и да ги закачите за закопчалките.



ДОЛНА КОШНИЦА



За тенджери, капаци, чинии, купи за салата и т.н. Едрите чинии и капаци следва в идеалния случай да се поставят от страни, за да не възпрепятстват разпръскващото рамо.

(пример за зареждане на долната кошница)

ВСЕКИДНЕВНА УПОТРЕБА

1. ПРОВЕРКА НА ВОДНАТА ВРЪЗКА

Проверете дали съдомиялната машина е свързана към водопроводната мрежа и дали кранът е отворен.

2. ВКЛЮЧЕТЕ СЪДОМИЯЛНАТА МАШИНА

Отворете вратичката и натиснете бутона **ВКЛ./ИЗКЛ.**

3. ЗАРЕДЕТЕ КОШНИЦИТЕ (вж, ЗАРЕЖДАНЕ НА КОШНИЦИТЕ)

4. ЗАРЕЖДАНЕ НА ДОЗАТОРА ЗА МИЯЛЕН ПРЕПАРАТ

5. ИЗБЕРЕТЕ ПРОГРАМАТА И ПЕРСОНАЛИЗИРАЙТЕ ПРОГРАМАТА

Изберете най-подходящата програма според вида на съдовете и нивото на замърсяване (вж. ОПИСАНИЕ НА ПРОГРАМИТЕ) чрез натискане на бутона **P**.

Изберете желаните опции (вж, ОПЦИИ И ФУНКЦИИ).

6. СТАРТ

Стартирайте цикъла на миене, като натиснете бутона **СТАРТ/ПАУЗА** (светодиодът свети) и затворете вратичката в рамките на 4 секунди. Когато програмата започне, ще чуете единичен звуков сигнал. Ако не сте затворили вратичката в рамките на 4 секунди, ще чуете алармен сигнал. В такъв случай отворете вратичката, натиснете бутона **СТАРТ/ПАУЗА** и затворете вратичката отново в рамките на 4 секунди.

7. КРАЯТ НА ПРОГРАМАТА

Краят на цикъла на измиване се обозначава с няколко звукови сигнала и с премигването на дисплея на номера на съответния цикъл на измиване. Отворете вратичката и изключете уреда, като натиснете бутона **ВКЛ./ИЗКЛ.**

Изчакайте няколко минути, преди да премахнете съдовете, за да избегнете изгаряния.

Извадете съдовете, като започнете от долната кошница.

Машината се изключва автоматично при определени продължителни периоди на неактивност, за да сведе до минимум потреблението на енергия.

Ако съдовете са само леко замърсени или ако са изплакнати с вода преди да се поставят в съдомиялната машина, намалете съответно количеството използван препарат.

МОДИФИЦИРАНЕ НА РАБОТЕЩА ПРОГРАМА

Ако е избрана грешна програма, можете да я промените, при условие че тя е започнала току-що: отворете вратичката, натиснете и задръжте бутона **ВКЛ./ИЗКЛ.**, машината ще се изключи, Включете машината отново с бутона **ВКЛ./ИЗКЛ.** и изберете новата програма за миене и желаните опции; стартирайте програмата, като натиснете бутона **СТАРТ/ПАУЗА** и затворете вратичката в рамките на 4 секунди,

ДОБАВЯНЕ НА СЪДОВЕ

Без да изключвате машината, отворете вратичката (светодиодът **СТАРТ/ПАУЗА** започва да мига) (**внимание с ГОРЕЩАТА пара!**) и поставете съдовете в миалната машина. Натиснете бутона **СТАРТ/ПАУЗА** и в рамките на 4 секунди затворете вратичката, програмата се възобновява от момента, в който е била прекъсната.

СЛУЧАЙНИ ПРЕКЪСВАНИЯ

Ако вратичката бъде отворена по време на програма за миене или при прекъсване на захранването, програмата спира. За да подновите програмата, откъдето е прекъсната, натиснете бутона **СТАРТ/ПАУЗА** и затворете вратичката в рамките на 4 секунди.

ПОЛЕЗНИ СЪВЕТИ

СЪВЕТИ

Преди да зареждате кошниците, отстранете всички остатъци от храна от съдовете и изпразнете чашите. **Не е нужно да изплаквате предварително с течаща вода.**

Подредете съдовете така, че да се задържат добре на място и да не се обърнат; и подредете съдовете с отворите надолу и разположете вдлъбнатите/изпъкналите части така, че водата да може да достигне всяка повърхност и да тече свободно.

Предупреждение: капациите, дръжките, подносите и тиганите за пържене трябва да не пречат на въртенето на разпръскващите рамене.

Поставете дребните артикули в кошницата за прибори. Много замърсените съдове и тенджери следва да се поставят в долната кошница, тъй като в този сектор водните струи са по-силни и позволяват по-добра ефективност при миене. След като заредите уреда, проверете дали разпръскващите рамене могат да се въртят свободно.

НЕПОДХОДЯЩИ СЪДОВЕ

- Дървени съдове и прибори.
- Деликатни чаши с декорации, артистични ръчно изработени съдове и антики. Декорациите им не са устойчиви.
- Части от синтетични материали, които не са устойчиви на високи температури.
- Медни и калаени съдове.
- Замърсени с пепел, восък, грес или мастило съдове.

Цветовете на стъклените декорации и частите от алуминий/сребро могат да се променят и да избледнеят в процеса на миене. Някои видове стъкло (напр. кристалните предмети) могат да станат непрозрачни след няколко измивания.

ПОВРЕДИ ПО ЧАШИТЕ И СЪДОВЕТЕ

- Използвайте само стъклени и порцеланови съдове, за които производителят гарантира, че са подходящи за съдомиялна машина.
- Използвайте деликатен почистващ препарат, подходящ за Вашите съдове
- Изваждайте чашите и приборите от съдомиялната машина веднага след края на програмата за миене.

СЪВЕТИ ЗА ПЕСТЕНЕ НА ЕНЕРГИЯ

- Когато домашната съдомиялна машина се използва съгласно инструкциите на производителя, **измиването на посуда в съдомиялна обикновено консумира ПО-МАЛКО ЕНЕРГИЯ И ВОДА в сравнение с миенето на ръка.**
- За да максимизирате ефективността на съдомиялната машина, **препоръчително е да стартирате цикъл на миене, след като машината е заредена докрай.** Зареждането на домашната съдомиялна машина до капацитета, посочен от производителя, ще спомогне да спестите енергия и вода. Информация относно правилното зареждане на посудата можете да намерите в глава ЗАРЕЖДАНЕ НА КОШНИЦИТЕ.
- При частично зареждане е препоръчително да използвате специално предназначенияте опции (Half load/ Zone Wash/ Multizone), като напълните само избраните кошници. Неправилното зареждане или препълване на съдомиялната машина може да увеличи потреблението на ресурси (като вода, енергия и време, както и да увеличи нивото на шум), което ще намали ефективността на измиване и сушене.
- Предварителното изплакване на посудата на ръка води до увеличено потребление на вода и енергия, затова не е препоръчително.

ХИГИЕНА

За да избегнете миризми и утайки, които могат да се натрупат в съдомиялната машина, **моля, пускайте програма при висока температура най-малко веднъж месечно.** Използвайте супена лъжица препарат и пуснете уреда без да зареждате съдове, за да го почистите.

ГРИЖИ И ПОДДРЪЖКА

ПОЧИСТВАНЕ НА ФИЛТЪРНИЯ ВЪЗЕЛ

Почиствайте филтърния възел редовно, така че филтрите да не се запушват и отпадъчната вода да се източва правилно.

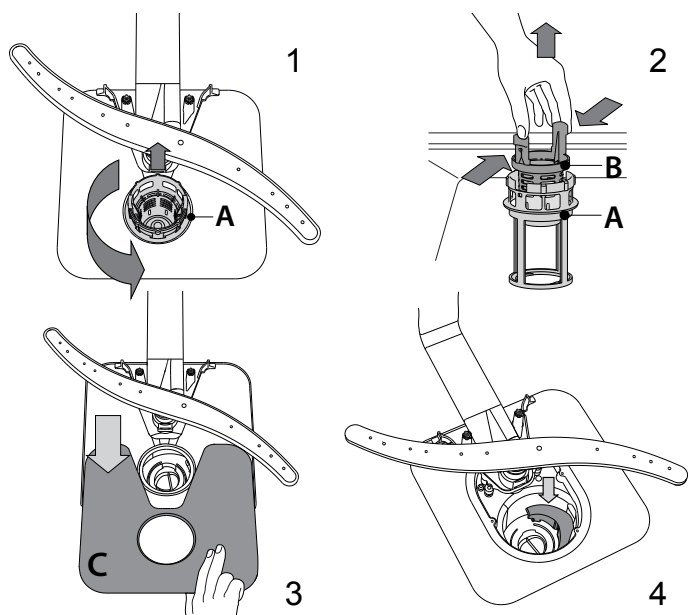
Използването на съдомиялната машина със запушени филтри или външни предмети във филтриращата система или пръскащите рамена, може да влоши работата на уреда и да доведе до намаляване на работните характеристики, шум по време на работа или повишено потребление на ресурси.

Филтърният възел се състои от три филтъра, които премахват остатъците от храна от водата от измиване и след това рециркулират водата.

Съдомиялната машина не трябва да се използва без филтри или ако филтърът е разхлабен.

Най-малко веднъж месечно или на всеки 30 цикъла проверявайте филтърния блок и при необходимост го почистете старателно с течаща вода, като използвате неметална четка и следвайте инструкциите по-долу:

1. Завъртете цилиндричния филтър **A** обратно на часовниковата стрелка и го издърпайте (Фиг. 1).
2. Свалете филтъра чашка **B**, като приложите лек натиск върху страничните капаци (Фиг. 2).
3. Плъзнете навън филтъра-пластина от неръждаема стомана **C** (Фиг. 3).
4. В случай че намерите външни предмети (като счупени стъкла, порцелан, кости, семена на плодове и др.), **внимателно ги отстранете**.
5. Проверете уловителя и премахнете остатъците от храна. **НИКОГА НЕ МАХАЙТЕ** предпазителя на помпата за цикъла на измиване (черния елемент) (Фиг. 4).



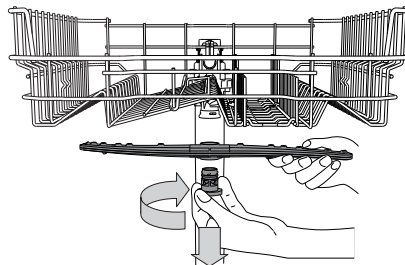
След почистване на филтрите поставете филтърния блок отново и го закрепете правилно на място; това е от ключово значение за поддържане на ефективната работа на съдомиялната машина.

ПОЧИСТВАНЕ НА МАРКУЧА ЗА ПОДАВАНЕ НА ВОДА

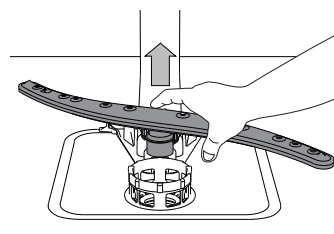
Ако маркучите за вода са нови или не са използвани продължително време, оставете водата да тече, за да се уверите, че е прозрачна и без замърсявания, преди да изпълнявате нужните връзки. Ако тази предпазна мярка не бъде взета, входът за вода може да се блокира и да повреди съдомиялната машина.

ПОЧИСТВАНЕ НА РАЗПРЪСКВАЩИТЕ РАМЕНЕ

Понякога остатъците от храна е възможно да засъхнат върху разпръскващите рамена и да запушат отворите за разпръскване на вода. Следователно се препоръчва да проверявате раменете от време на време и да ги почиствате с малка неметална четка.



За сваляне на горното рамо за пръскане, завъртете пластмасовия заключващ пръстен по посока на часовниковата стрелка. Горното разпръскващо рамо следва да се поставя така, че страната с по-голям брой отвори да е насочена нагоре.



Можете да свалите долното разпръскващо рамо, като го издърпате нагоре.

СИСТЕМА ЗА ОМЕКОТЯВАНЕ НА ВОДАТА

Омекотителят за вода намалява автоматично твърдостта на водата, като по този начин предотвратява натрупването на варовик по нагревателя и повишава ефективността при почистване.

Системата се регенерира сама със сол, затова е необходимо да допълвате контейнера със сол, когато се изпразни.

Честотата на регенериране зависи от настройката на нивото на твърдост на водата - регенерирането се извършва веднъж на всеки 6 цикъла Eco с ниво на твърдост на водата, зададено на 3. Процесът на регенериране започва във фазата на последното изплакване и завършва във фазата на сушене, преди цикълът да завърши.

- Едно регенериране използва: ~3,5 литра вода;
- Към цикъла се добавят 5 допълнителни минути;
- Консумират се по-малко от 0,005 kWh енергия.

ОТСТРАНЯВАНЕ НА НЕИЗПРАВНОСТИ

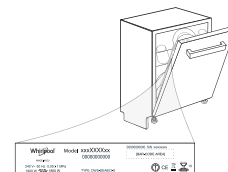
В случай че съдомиялната машина не работи нормално, проверете дали проблемът може да бъде решен, като прегледате следния списък. За други грешки или неизправности се свържете с отдела за следпродажбено обслужване, като данните за контакт можете да намерите в книжката за гаранцията. Резервните части ще бъдат налични за период от 7 или до 10 години, в съответствие със специфичните изисквания на регламента.

ПРОБЛЕМИ	ВЪЗМОЖНИ ПРИЧИНИ	РЕШЕНИЯ
Индикаторът за сол свети	Резервоарът за сол е празен. (След допълване на сол индикаторът може да остане да свети още няколко цикъла на миене).	Напълнете отново резервоара със сол (за повече информация – вж. стр. 2). Регулирайте твърдостта на водата – вижте таблицата. стр. 2.
Индикаторът за препарат за блясък свети	Дозаторът за препарат за блясък е празен. (След допълване на препарат за блясък индикаторът може да остане да свети още няколко цикъла на миене).	Напълнете отново дозатора на препарата за блясък (за повече информация – вж. стр. 2).
Съдомиялната машина не стартира или не реагира на команди.	Уредът не е включен в контакта както трябва.	Включете щепсела в контакта.
	Спиране на хранването.	От съображения за безопасност съдомиялната машина може да не стартира автоматично след пускане на електрозахранването. Отворете вратичката. натиснете бутона СТАРТ/Пауза и затворете вратичката в рамките на 4 секунди.
	Вратичката на съдомиялната не е затворена. Щифтът <i>NaturalDry</i> не е издърпан.	Натиснете вратичката силно, докато чуе щракване.
	Цикълът е прекъснат от отваряне на вратичката за повече от 4 секунди. Не реагира на команди. На дисплея се показва: 9 или 12 и светодиодът за Вкл./Изкл. мига бързо	Натиснете СТАРТ/Пауза и затворете вратичката в рамките на 4 секунди. Изключете уреда, като натиснете бутона ВКЛ./ИЗКЛ. включете го отново след около една минута и рестартирайте програмата. Ако проблемът не бъде отстранен, изключете уреда от щепсела за 1 минута и отново включете щепсела.
Съдомиялната машина не източва. На дисплея се показва: 3 и светодиодът за Вкл./Изкл. мига бързо	Програмата все още не е завършила.	Изчакайте програмата да завърши.
	Маркучът за източване е прегънат.	Проверете дали маркучът за източване не е прегънат (вж. ИНСТРУКЦИЯ ЗА МОНТАЖ).
	Тръбата за източване на мивката е запушена. Филтърът е запушен с остатъци от храна	Почистете тръбата за източване на мивката. Почистете филтъра (вж. ПОЧИСТВАНЕ НА ФИЛТЪРНИЯ МЕХАНИЗЪМ).
Съдомиялната създава рекомерно много шум.	Съдовете тракат един в друг.	Подредете съдовете правилно (вж. ЗАРЕЖДАНЕ НА КОШНИЦИТЕ).
	Създадо се е прекалено голямо количество пяна.	Препаратът не е измерен правилно или не е подходящ за използване в съдомиялни машини (вж. ДОПЪЛВАНЕ НА ДОЗАТОРА ЗА ПОЧИСТВАЩ ПРЕПАРАТ). Рестартирайте текущия цикъл, като изключите и отново включите съдомиялната машина, изберете нова програма, натиснете СТАРТ/Пауза и затворете вратичката в рамките на 4 секунди. Не добавяйте никакъв измиващ препарат.
Съдовете не са почистени.	Съдовете не са подредени както трябва.	Подредете съдовете правилно (вж. ЗАРЕЖДАНЕ НА КОШНИЦИТЕ).
	Разпръскащите рамене не могат да се въртят свободно, тъй като са възпрепятствани от съдовете.	Подредете съдовете правилно (вж. ЗАРЕЖДАНЕ НА КОШНИЦИТЕ).
	Цикълът на измиване е твърде лек.	Изберете подходящ цикъл на измиване (вж. ТАБЛИЦА С ПРОГРАМИ).
	Създадо се е прекалено голямо количество пяна.	Препаратът не е измерен правилно или не е подходящ за използване в съдомиялни машини (вж. ДОПЪЛВАНЕ НА ДОЗАТОРА ЗА ПОЧИСТВАЩ ПРЕПАРАТ).
	Капачката на отделението за помощно средство за изплакване не е затворена правилно.	Уверете се, че капачката на дозатора за помощно средство за изплакване е затворена.
	Филтърът е замърсен или запушен. Няма сол.	Почистете филтърния механизъм (вж. ГРИЖА И ПОДДРЪЖКА). Допълнете резервоара за сол (вж. ДОПЪЛВАНЕ НА РЕЗЕРВОАРА ЗА СОЛ).
Съдомиялната машина не зарежда вода. На дисплея се показва: H, 6 и светодиодът за Вкл./Изкл. мига бързо	Не се подава вода или кранът е затворен.	Уверете се, че се подава вода или кранът е отворен.
	Маркучът за подаване на вода е прегънат.	Уверете се, че маркучът за подаване на вода не е прегънат (вижте ИНСТАЛИРАНЕ). включете нова програма на съдомиялната и я рестартирайте.
	Мрежестият филтър в маркуча за подаване на вода е запушен; необходимо е да го почистите.	След изпълняване на проверката и почистването изключете и включете съдомиялната машина и рестартирайте нова програма.
Съдомиялната машина спира цикъла преждевременно. На дисплея се показва: 15 и светодиодът за Вкл./Изкл. мига бързо	Маркучът за източване е поставен твърде ниско или водата се източва в домашната канализационна система.	Проверете дали краят на маркуча за източване е поставен на правилната височина (вижте ИНСТАЛИРАНЕ). Проверете за източване в домашната канализационна система и ако е необходимо, монтирайте въздушен вентил.
	Въздух в системата за подаване на вода.	Проверете системата за подаване на вода за течове или други проблеми, водещи до навлизане на въздух.
Изтичането на детергент.	Зависи от използвания течен детергент и може да бъде подчертано в случай на активирана опция за забавяне.	Малките течове няма да доведат до неизправност на машината и могат да бъдат избегнати, като се промени видът на течния перилен препарат или се използват таблетки.

Фирмени политики, стандартна документация, поръчка на резервни части и допълнителна информация за продукти можете да намерите на:

- Използване на QR кода на Вашия уред.
- Посетите нашия уебсайт docs.whirlpool.eu/docs и parts-selfservice.europeanappliances.com
- Като алтернатива можете да се свържете с отдела за следпродажбено обслужване (вижте телефонния номер в гаранционната книжка). При контакт с отдела за следпродажбено обслужване на клиенти съобщавайте кодовете, посочени на заводската табелка на Вашия уред.

Информацията за модела може да бъде извлечена чрез сканиране на QR кода на етикета за енергийния клас. На етикета също така е даден идентификатор на модела, който може да се използва за достъп до портала на регистъра на адрес <https://eprel.ec.europa.eu>.



VODIČ ZA SVAKODNEVNU UPOTREBU



ZAHVALJUJEMO VAM NA KUPOVINI PROIZVODA WHIRLPOOL. Kako bismo vam mogli pružiti potpuniju pomoć, registrirajte svoj uređaj na adresi: www.whirlpool.eu/register

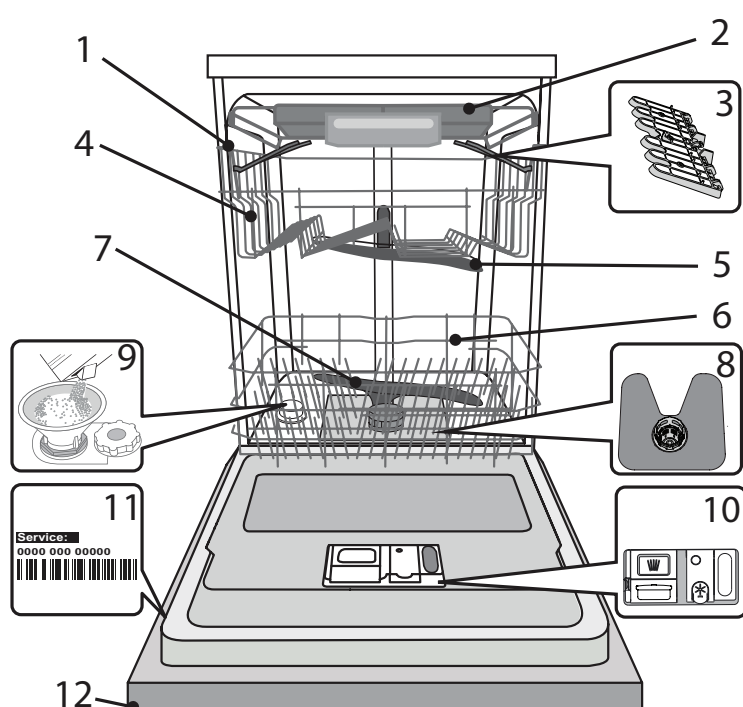
SKENIRAJTE QR KOD NA SVOM UREĐAJU DA BISTE DOBILI VIŠE INFORMACIJA.



Prije upotrebe uređaja pažljivo pročitajte Sigurnosne upute.

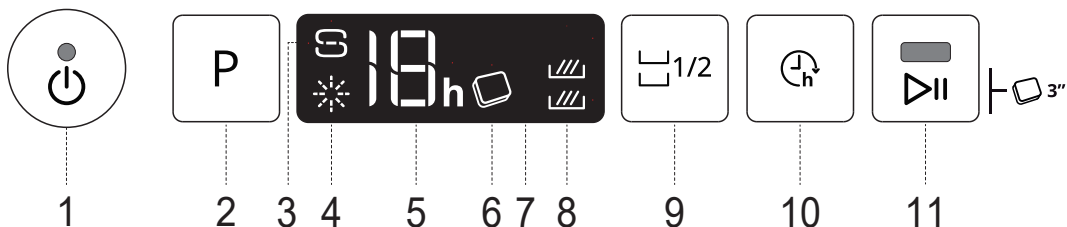
OPIS PROIZVODA

UREĐAJ



1. Gornja košara
2. Stalak za pribor za jelo
3. Pomični preklopi
4. Mehanizam za podešavanje gornje košare po visini
5. Gornji nosač prskalica
6. Donja košara
7. Donji nosač prskalica
8. Sklop filtra
9. Spremnik za sol
10. Spremnici za deterđent i sredstvo za ispiranje
11. Natpisna pločica
12. Upravljačka ploča

UPRAVLJAČKA PLOČA



- | | |
|---|---|
| 1. Gumb za uklj/isklj/ponovno postavljanje sa svjetlom indikatora | 7. Zaslon |
| 2. Gumb za odabir programa | 8. Svjetlo indikatora Pola Punjenja |
| 3. Svjetlo indikatora za dodavanje sol | 9. Gumb Pola Punjenja |
| 4. Svjetlo indikatora za dodavanje sredstva za ispiranje | 10. Gumb odgode |
| 5. Indikator broja programa i vremena odgode | 11. Gumb Start/Pauza sa svjetlom indikatora / Tablete (Tab) |
| 6. Svjetlo indikatora Tablete (Tab) | |

PRVA UPOTREBA

SOL, SREDSTVO ZA ISPIRANJE I DETERDŽENT


SAVJETI ZA PRVU UPOTREBU

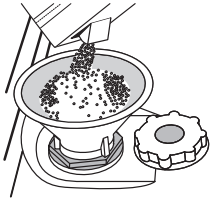
Nakon postavljanje uklonite graničnike s košara i pričvrstne elastične elemente s gornje košare.

PUNJENJE SPREMNIKA ZA SOL

Upotreba soli sprječava stvaranje kamenca na posuđu i na funkcionalnim sastavnim dijelovima stroja.

- Nužno je pridržavati se toga da **SPREMNIK SOLI NIKADA NIJE PRAZAN**.
- Tvrdća vode mora se postaviti.

Spremnik za sol nalazi se u donjem dijelu perilice posuđa (pogledajte *OPIS PROIZVODA*) i mora se napuniti kada kada se **svjetlo indikatora PUNJENJE SOLI**  uključi na upravljačkoj ploči.



1. Skinite donju košaru i odvijte čep spremnika (u smjeru suprotnom od smjera kazaljke na satu).
2. **Samo kod prve uporabe: napunite spremnik za sol vodom.**
3. Postavite lijevak (pogledajte sliku) i spremnik soli napunite do samog ruba (približno 1 kg); Curenje male količine vode nije neobično.
4. Uklonite lijevak i obrišite ostatke soli s otvora.

Provjerite je li poklopac čvrsto zategnut tako da deterdžent ne može ući u spremnik tijekom programa pranja (to bi moglo nepovratni oštetiti omekšivač vode).

Svaki put kada trebate dodati sol obavezno treba završiti cijeli postupak prije početka ciklusa pranja da bi se izbjegla pojava korozije.

POSTAVLJANJE TVRDOĆE VODE

Kako bi omekšivač vode mogao savršeno raditi, tvrdoća vode mora se postaviti na temelju stvarne tvrdoće vode u domaćinstvu. Tu informaciju možete dobiti u lokalnom vodoopskrbnom poduzeću.

Zadana vrijednost tvrdoće vode postavlja se u tvornici.

- Uključite uređaj tako da pritisnete gumb za **uključivanje/isključivanje**.
- Uređaj isključite tako da pritisnete gumb za **uključivanje/isključivanje**.
- Držite pritisnutim gumb **P** 5 sekundi dok ne začujete zvučni signal bip.
- Uključite uređaj tako da pritisnete gumb za **uključivanje/isključivanje**.
- Broj trenutačno odabrane razine i svjetlo indikatora soli trepću.
- Pritisnite gumb **P** za odabir željene razine tvrdoće (pogledajte *TABLICA TVRDOĆE VODE*).

Tablica tvrdoće vode				
Razina		°dH Njemački stupnjevi	°fH Francuski stupnjevi	°Clark Engleski stupnjevi
1	Meka	0 - 6	0 - 10	0 - 7
2	Srednja	7 - 11	11 - 20	8 - 14
3	Prosječna	12 - 16	21 - 29	15 - 20
4	Tvrda	17 - 34	30 - 60	21 - 42
5	Vrlo tvrda	35 - 50	61 - 90	43 - 62

- Uređaj isključite tako da pritisnete gumb za **uključivanje/isključivanje**.

Postavljanje je dovršeno!


Čim taj postupak završi, pokrenite program bez punjenja.

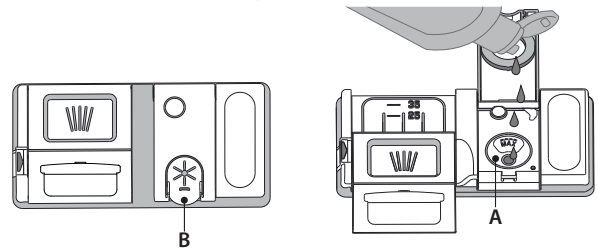
Upotrebljavajte isključivo sol koja je napravljena posebno za perilice suđa.

Nakon što se sol ulije u stroj, isključuje se svjetlo indikator PUNJENJE SOLI. **Ako spremnik za sol nije napunjen zbog nakupljanja kamenca može doći do oštećenje omekšivača vode i grijača.**

Upotreba soli preporučuje se sa svim vrstama deterdženta za pranje suđa.

PUNJENJE DOZATORA SREDSTVA ZA ISPIRANJE

Sredstvo za ispiranje olakšava SUŠENJE posuđa. Dozator sredstva za ispiranje **A** treba se napuniti kada se **svjetlo indikatora PUNJENJE SPREMNIKA ZA ISPIRANJE**  uključi na upravljačkoj ploči.



1. Otvorite dozator **B** tako da pritisnete i povučete jezičac na poklopcu.
2. Pažljivo uvedite sredstvo za ispiranje do referente oznake maksimalne količine (110 ml) prostora za punjenje, pazite da ne dođe do prolijevanja. Ako se to dogodi, suhom krpom odmah očistite proliveno.
3. Pritisnite poklopac dok se ne zatvori uz klik.

Sredstvo za ispiranje NIKADA ne ulijevajte izravno u kadu.

PODEŠAVANJE DOZIRANJA SREDSTVA ZA ISPIRANJE

Ako niste potpuno zadovoljni rezultatima sušenja, možete podesiti količinu upotrijebljenog sredstva za ispiranje.

- Perilicu suđa uključite pomoću gumba za **uključivanje/isključivanje**.
- Isključite je pomoću gumba za **uključivanje/isključivanje**.
- Tri puta pritisnite gumb **P**, začut će se zvučni signal bip.
- Uključite je pomoću gumba za **uključivanje/isključivanje**.
- Broj trenutačno odabrane razine i svjetlo indikatora sredstva za ispiranje trepere.
- Pritisnite gumb **P** za odabir razine količine sredstva za ispiranje koja će se upotrijebiti.
- Isključite ga pomoću gumba za **uključivanje/isključivanje**.

Postavljanje je dovršeno!

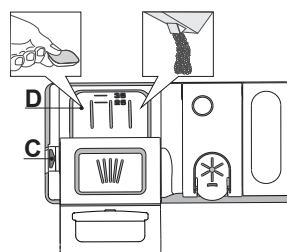
Ako je razina sredstva za ispiranje postavljena na NULU, sredstvo za ispiranje neće se upotrijebiti. Svjetlo indikatora NISKA RAZINA SREDSTVA ZA ISPIRANJE neće se uključiti ako ste potrošili sredstvo za ispiranje.

Ovisno o vrsti perilice suđa mogu se postaviti najviše 5 razine. Tvornička postavka posebno je napravljena za ovaj model, pratite gore navedene upute da biste je provjerili na svom uređaju.

- Ako na suđu primijetite plavičaste pruge, postavite nizak broj (1-2).
- Ako na suđu ima kapi vode ili tragova kamenca, postavite viši broj (3-4).

PUNJENJE SPREMNIKA ZA DETERDŽENT

Za otvaranje spremnika za deterdžent upotrijebite uređaj za otvaranje C. Deterdžent stavite samo u suhi spremnik D. Količinu deterdženta za pretpranje stavite izravno u kadu.



1. Prilikom doziranja deterdženta pogledajte ranije navedene informacije kako biste stavili odgovarajuću količinu. Unutar dozatora **D** nalaze se oznake koje vam pomažu prilikom doziranja.
2. Uklonite ostatke deterdženta s rubova spremnika prije no što poklopac zatvorite tako da sjedne.
3. Poklopac spremnika za deterdžent zatvorite tako da ga povučete dok se mehanizam za zatvaranje ne učvrsti.

Spremnik za deterdžent automatski se otvara u odgovarajućem trenutku ovisno o programu.

Ako se upotrebljava kombinirani deterdžent, preporučujemo upotrebu gumba **TABLETE** jer on prilagođava program tako da se uvijek ostvaruju najbolju rezultati pranja i sušenja.

Upotreba deterdženta koji nije namijenjen perilicama posuđa može prouzročiti nepravilnosti ili oštećenje uređaja.

TABLICA PROGRAMA

Program	Faza sušenja	NaturalDry	Dostupne opcije *)	Trajanje programa pranja (h:min)**	Potrošnja vode (litara po ciklusu)	Potrošnja energije (kWh po ciklusu)	
1. Eko	ECO 50°	✓	✓		3:10	8,9	0,75
2. Intenzivno	65°	✓	✓		2:50	17,0	1,60
3. 6 th Sense®	50-60°	✓	✓		1:25 - 3:00	7,0 - 14,0	0,90 - 1,40
4. Brzo pranje i sušenje	50°	✓	✓		1:25	11,5	1,10
5. Brzo 30'	50°	✗	✓		0:30	9,0	0,50
6. Tiho	50°	✓	✓		3:30	16,0	1,15
7. Higijensko	65°	✓	✗		1:50	12,0	1,30
8. Pretpranje	-	✗	✗		0:12	4,5	0,01
9. Samočišćenje	65°	✗	✗		0:50	8,0	0,85

Podaci EKO programa izmjereni su u laboratorijskim uvjetima u skladu s europskom normom EN 60436:2020. Napomena za pokusne laboratorije: detaljne informacije o uvjetima za komparativni pokus EN zatražite na adresi: dw_test_support@europeanappliances.com

Prije primjene bilo kojeg programa nije potrebno obraditi posuđe.

*) Sve opcije ne mogu se istovremeno upotrebljavati.

**) Vrijednosti navedene za programe, osim programa Eko, služe isključivo kao informacija. Stvarno vrijeme može se razlikovati ovisno o brojnim čimbenicima kao što su temperatura i tlak ulazne vode, sobna temperatura, količina deterdženta, količina i vrsta punjenja, ravnoteža punjenja, dodatne odabrane opcije i baždarenje senzora. Baždarenje senzora može povećati trajanje programa do 20 min.

OPIS PROGRAMA

Upute za odabir ciklusa pranja.

1 EKO

Program Eko prikladan je za uobičajeno prljavo posuđe i pri takvoj je upotrebi to najučinkovitiji program po pitanju ukupne potrošnje vode i energije i upotrebljava se za procjenu usklađenosti s propisima EU o ekološkom načinu izrade.

2 INTENZIVNO

Preporučeni program za jako prljavo posuđe, posebno pogodan za tave i tave za umake (ne upotrebljavati za osjetljivo posuđe).

3 6th SENSE®

Za uobičajeno prljavo posuđe s ostacima sasušene hrane. Osjeća razinu zaprljanosti posuđa i prema tome podešava program. Kad senzor otkrije razinu zaprljanosti prikazuje se animacija na zaslonu i ažurira se trajanje ciklusa.

4 BRZO PRANJE I SUŠENJE

Normalno zaprljano posuđe. Svakodnevni ciklus koji omogućuje optimalne rezultate čišćenja i sušenja za manje vremena.

5 BRZO 30'

Program koji se treba upotrebljavati pola punjenja malo zaprljanog posuđa bez osušenih ostataka hrane. Nema faze sušenja.

6 TIHO

Prikladno za noćni rad uređaja. Osigurava optimalnu učinkovitost čišćenja i sušenja uz najnižu emisiju buke.

7 HIGIJENSKO

Uobičajeno ili jače zaprljano posuđe s dodatnim antibakterijskim pranjem. Može se upotrebljavati za održavanje perilice suđa.

8 PRETPRANJE

Upotrebljava se za osvježavanje posuđa koje će se prati kasnije. S ovim programom ne upotrebljava se deterdžent.

9 SAMOČIŠĆENJE

Program koji se upotrebljava za održavanje perilice posuđa treba izvršiti samo ako je perilica posuđa PRAZNA, a pritom treba rabiti posebne deterdžente za održavanje perilice posuđa.

Napomene:

Napominjemo da je ciklus Brzo 30' namijenjen isključivo malo zaprljanom posuđu.

OPCIJE I FUNKCIJE

OPCIJE se mogu izravno odabrati pritiskom na odgovarajući gumb (pogledajte UPRAVLJAČKA PLOČA).

Ako neka opcija nije kompatibilna s odabranim programom (pogledajte TABLICU PROGRAMA) odgovarajuće LED svjetlo 3 puta brzo trepne i oglašava se zvučno upozorenje bip. Opcija se neće omogućiti.

1/2 POLA PUNJENJA

Ako nemate puno suđa koje treba oprati, može se upotrijebiti pola punjenja kako biste uštedjeli vodu, struju i deterdžent.

Odaberite program i zatim pritisnite gumb POLA PUNJENJA: uključit će se svjetlo indikatora. Pritisnite gumb POLA PUNJENJA kako biste poništili odabir te opcije.

Ne zaboravite prepoloviti količinu deterdženta.



TABLETE (Tab)

Ova postavka omogućuje optimiziranje učinkovitosti programa ovisno o vrsti deterdženta.

Pritisnite gumba START/PAUZA na 3 sekunde (uključit će se odgovarajući simbol) ako upotrebljavate kombinirani deterdžent u tabletama (sredstvo za ispiranje, sol i deterdžent u 1 dozi).

Ako upotrebljavate deterdžent u prahu ili tekući deterdžent, ta opcija treba biti isključena.



ODGODA

Vrijeme pokretanja programa može se odgoditi u razdoblju između 1 i 12 sati.

1. Pritisnite gumb ODGODE: odgovarajući simbol "h" pojavljuje se na zaslonu; svakim pritiskom gumba povećat će se vrijeme (1 h, 2 h i tako do maks. 12 h) od početka željenog ciklusa pranja.
2. Odaberite program pranja, pritisnite tipku START/PAUZA pa zatvorite vrata u roku 4 sekunde: mjerač vremena započet će odbrojanje.
3. Po isteku vremena svjetlo indikatora "h" isključuje se i ciklus pranja započinje.

Za podešavanje vremena odgode i odabir kraćeg razdoblja, pritisnite gumb ODGODE. Za njeno poništavanje uzastopce pritisnite gumb sve dok se ne isključi svjetlo indikatora "h" odabrane odgode pokretanja.

Funkcija ODGODE ne može se postaviti nakon početka programa.

NaturalDry

NaturalDry konvekcijski je sustav sušenja koji automatski otvara vrata tijekom/nakon faze sušenja da bi svakodnevno zajamčio izvanrednu učinkovitost sušenja. Vrata se otvaraju na temperaturi sigurnoj za vaš kuhinjski namještaj.

Kao dodatnu zaštitu od pare, zajedno s perilicom posuđa, isporučuje se posebno dizajnirana zaštitna folija. Način postavljanja zaštitne folije pogledajte u dijelu (VODIČ ZA POSTAVLJANJE).

Korisnik funkciju *NaturalDry* može isključiti na sljedeći način:

1. Idite na izbornik softvera Perilica posuđa tako da pritisnete i držite gumb P (6 s).
2. Prebacili ste se na izbornik upravljanja *NaturalDry* u kojem možete promijeniti stanje funkcije *NaturalDry* pritiskom na gumb P:

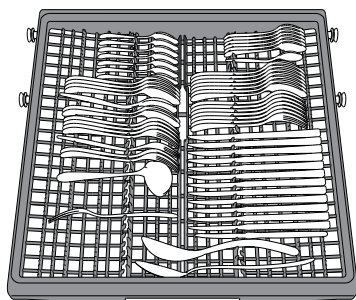
E – omogućeno

d – onemogućeno

Da biste potvrdili promjenu i izašli iz izbornika upravljanja, pritisnite i držite gumb P (3 s).

PUNJENJE KOŠARA

STALAK ZA PRIBOR ZA JELO

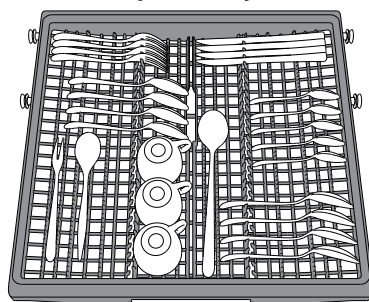


Treća košara namijenjena je priboru za jelo.

Pribor za jelo složite kako je prikazano na slici.

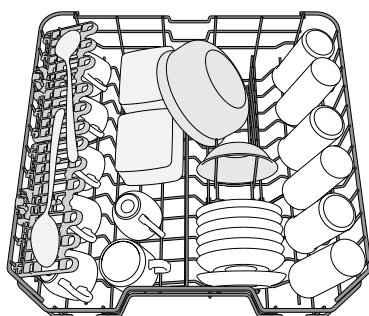
Odvojeno slaganje pribora za jelo olakšava sakupljanje nakon pranje i poboljšava učinkovitost pranja i sušenja.

Noževе i ostali pribor s oštricom mora se postaviti s oštricama okrenutima prema dolje.



Geometrija stalka omogućuje postavljanje malih predmeta kao što su šalice za kavu u sredini.

GORNJA KOŠARA



(primjer punjenja za gornju košaru)

Punite je osjetljivim, laganim sudom: čašama, šalicama, posudama za umake i laganim zdjelama za salatu.

PODEŠAVANJE GORNJE KOŠARE PO VISINI

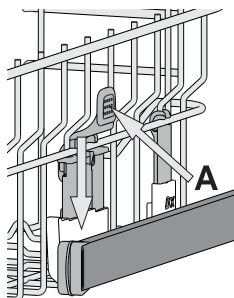
Visina gornje košare može se podesiti: visoki položaj za postavljanje glomaznog suđa u donju košaru i niski položaj za potpuno iskorištavanje potpornja za postavljanje stvaranjem više mjesta u gornjem dijelu i izbjegavanje udaraca s predmetima u donjoj košari.

Gornja je košara opremljena **mehanizmom za podešavanje gornje košare po visini** (pogledajte sliku) i bez pritiska na ručice podignete je tako da smo uhvatite stranice košare čim je košara stabilna u svom gornjem položaju.

Za ponovno postavljanje u donji položaj pritisnite ručice **A** na stranicama košare i pomaknite je prema dolje.

Preporučujemo da podešavanje po visini ne obavljate s punom košarom.

Košaru NIKADA ne podižite ili spuštajte samo na jednoj strani.



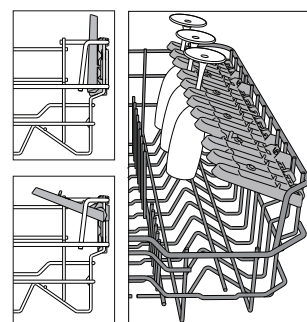
POMIČNI PREKLOPI S PODESIVIM POLOŽAJEM

Bočni pomični preklopi mogu se sklopiti ili rasklopiti da bi se poboljšalo slaganje posuđa u košaru.

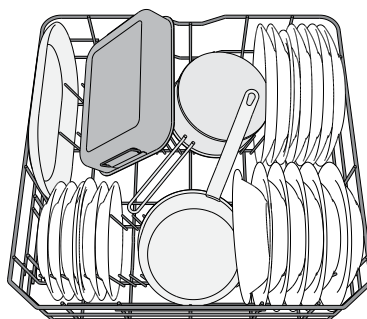
Čaše za vino mogu se sigurno postaviti u pomične preklope tako da se nožica svake čaše umetne u odgovarajući otvor.

Ovisno o modelu:

- preklope sklopite tako da ih skliznete i okrenete ili ih otpustite iz utora i izvučete.
- preklope rasklopite tako da ih okrenete i klizno pomaknete prema dolje ili podignete i preklope pričvrstite na utore.



DONJA KOŠARA



(primjer punjenja za donju košaru)

Za lonce, tave, tanjure, zdjele za salatu, pribor za jelo itd. Velike tanjure i poklopce idealno bi bilo postaviti sa strane kako bi se izbjeglo da ometaju nosače mlaznica.

SVAKODNEVNA UPORABA

1. PROVJERA PRIKLJUČKA ZA VODU

Provjerite je li perilica suđa spojena na dovod vode i je li otvorena slavina.

2. UKLJUČIVANJE PERILICE SUĐA

Otvorite vrata i pritisnite gumb **uključivanje/isključivanje**.

3. PUNJENJE KOŠARA (pogledajte PUNJENJE KOŠARA).

4. PUNJENJE SPREMNIKA ZA DETERDŽENT

(pogledajte TABLICU PROGRAMA).

5. ODABIR PROGRAMA I PRILAGOĐAVANJE CIKLUSA

Odaberite najprikladniji program prema vrsti posuđa i razini zaprljanja (pogledajte OPIS PROGRAMA) pritiskom na gumb **P**.

Odaberite željene opcije (pogledajte OPCIJE I FUNKCIJE).

6. POKRETANJE

Ciklus pranja započnite pritiskom na gumb **START/PAUZA** (uključeno je led svjetlo) i zatvorite vrata u roku od 4 s. Kada program započne oglašava se jedan zvučni signal bip. Ako se vrata ne zatvore u roku od 4 s, oglasit će se zvučni alarm. U tom slučaju otvorite vrata, pritisnite gumb **START/PAUZA** i ponovno zatvorite vrata u roku od 4 s.

7. KRAJ CIKLUSA PRANJA

Kraj ciklusa pranja označavaju zvučni signali bip i treperenje broja ciklusa pranja na zaslonu. Otvorite vrata i uređaj isključite tako da pritisnete gumb za **uključivanje/isključivanje**.

Pričekajte nekoliko minuta prije vađenja posuđa kako biste izbjegli opekotine. Ispraznite košare, započinjući s donjom košarom.

Stroj će se automatski isključiti tijekom produženog razdoblja neaktivnosti kako bi se smanjila potrošnja struje.

Ako je posuđe samo malo prljavo ili ako ga ispirate prije stavljanja u perilicu posuđa, u skladu s tim smanjite količinu deterdženta.

IZMJENA PROGRAMA RADA

Ako odaberete pogrešan program, možete ga promijeniti pod uvjetom da je tek započeo: otvorite vrata, pritisnite i držite gumb za **uključivanje/isključivanje**, stroj će se isključiti.

Ponovno uključite stroj pomoću gumba za **uključivanje/isključivanje** i odaberite novi ciklus pranja i sve željene opcije; ciklus pokrenite pritiskom na gumb **START/PAUZA** i zatvaranjem vrata u roku od 4 s.

DODAVANJE DODATNOG SUĐA

Ne isključujući uređaj otvorite vrata (led svjetlo **START/PAUZA** počinje treperiti) (**pazite na VRUĆU paru!**) i posuđe stavite u perilicu. Pritisnite gumb **START/PAUZA** i zatvorite vrata u roku od 4 s, ciklus će se nastaviti od mjesta na kojem je prekinut.

SLUČAJNI PREKIDI

Ako se tijekom ciklusa pranja vrata otvore ili ako je došlo do nestanka struje, ciklus se zaustavlja. Za nastavak rada od mjesta prekida ciklusa, pritisnite gumb **START/PAUZA** i zatvorite vrata u roku od 4 s.

SAVJETI

SAVJETI

Prije punjenja košara uklonite sve ostatke hrane s posuđa i ispraznite čaše. **Ne morate ih ispirati tekućom vodom.**

Posuđe složite tako da čvrsto stoji i ne prevrće se; spremnike složite tako da su otvori okrenuti prema dolje, a konkavni/konveksni dijelovi ukošeni kako bi se omogućilo da voda dođe do svih površina i slobodno protiče.

Upozorenje: poklopci, ručke, pladnjevi i tave ne sprječavaju okretanje nosača mlaznica.

Sitne predmete stavite u košare za pribor za jelo.

Vrlo prljavo suđe i tave treba staviti u donju košaru jer je u tom dijelu jači mlaz vode i omogućuje se bolja učinkovitost pranja.

Nakon punjenja uređaja provjerite mogu li se nosači mlaznica slobodno okretati.

NEPRIKLADNO SUĐE

- Drveno suđe i pribor za jelo.
- Osjetljive ukrašene čaše, umjetnički predmeti i antičko suđe. Njihovi ukrasi nisu otporni.
- Dijelovi od sintetičkog materijala koji ne podnose visoke temperature.
- Suđe od bakra i lima.
- Suđe zaprljano pepelom, voskom, mazivima ili tintom.

Boje ukrasa na čašama i aluminijski/srebrni dijelovi mogu se promijeniti i izbljediti tijekom postupka pranja. Neke vrste čaša (npr. kristali predmeti) mogu se postati neprozirni nakon određenog broja ciklusa pranja.

OŠTEĆENJE ČAŠA I SUĐA

- Upotrebjavajte samo čaše i porculansko suđe za koje proizvođač jamči da se može prati u perilici suđa.
- Upotrebjavajte deterdžent za osjetljivo posuđe prikladan za posuđe.
- Čaše i pribor za jelo izvadite iz perilice suđa čim ciklus pranja završi.

SAVJETI ZA UŠTEDU ENERGIJE

- Kada se perilica posuđa u domaćinstvu upotrebljava u skladu s uputama proizvođača **pranjem posuđa u perilici posuđa obično se troši MANJE ENERGIJE i vode nego prilikom ručnog pranja.**
- Preporučujemo da povećate učinkovitost perilice posuđa tako da **ciklus pranja pokrećete tek kada je perilica posuđa do kraja napunjena.** Kada perilicu posuđa puniti do kapaciteta koji je naveo proizvođač, pridonosite uštedi energije i vode. Podatke o pravilnom punjenju posuđa možete pronaći u poglavlju PUNJENJE KOŠARA. U slučaju da je perilica djelimično napunjena, preporučuje se da upotrebjavate posebne opcije pranja, ako su dostupne (Half load/ Zone Wash/ Multizone) i puniti samo odabrane košare. Nepravilno punjenje ili pretjerano punjenje može povećati upotrebu resursa (kao što su voda, energija i vrijeme te povećati razinu buke) i smanjiti učinkovitost pranja i sušenja.
- Ručno ispiranje posuđa dovodi do veće potrošnje vode i energije te se ne preporučuje.

HIGIJENSKI PROGRAM

Kako bi se izbjegla pojava neugodnih mirisa i taloga koji se može nakupiti u perilici suđa, **program s visokom temperaturom pokrećite najmanje jednom mjesečno.** Upotrijebite čajnu žlicu deterdženta i pokrenite perilicu bez punjenja kako biste očistili uređaj.

ČIŠĆENJE I ODRŽAVANJE

ČIŠĆENJE SKLOPA FILTRA

Redovito čistite sklop filtra tako da se filtri ne začepe i da otpadna voda ispravno istječe.

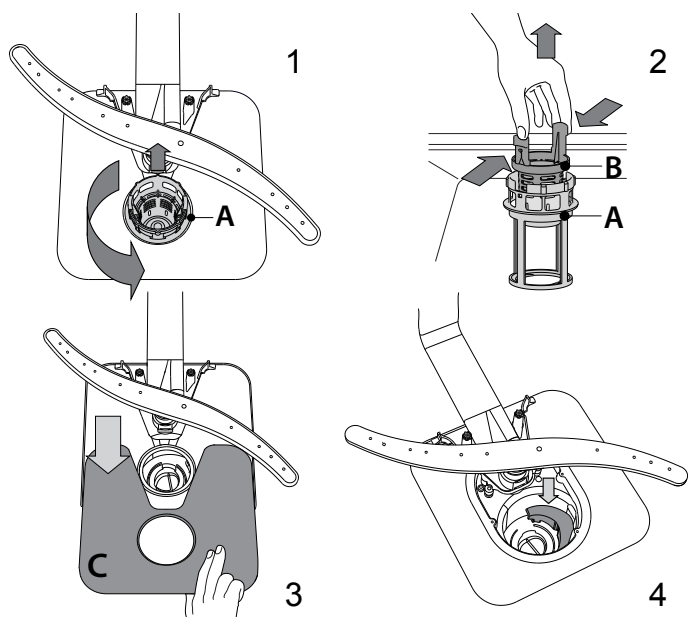
Upotreba perilice posuđe sa začepljenim filtrima ili stranim predmetima u sustavu filtriranja ili prskalicama može prouzročiti neispravnosti koje dovode do gubitka učinkovitosti, veće buke u radu ili veće potrošnje energenata.

Sklop filtra sastoji se od tri filtra koji uklanjaju ostatke hrane iz vode za pranje i zatim ponovno pokreću kruženje vode.

Perilica suđa ne smije se upotrebljavati bez filtara ili s otpuštenim filtrom.

Najmanje jednom mjesečno ili nakon svakih 30 ciklusa pranja provjerite sklop filtra i po potrebi ga temeljito očistite tekućom vodom upotrebljavajući četku koja nije od metala i prema uputama u nastavku:

1. Cilindrični filtar **A** okrenite u smjeru suprotnom od smjera kazaljke na satu i izvucite ga (sl. 1).
2. Skinite filtar šalicu **B** tako da lagano pritisnete bočna krilca (sl. 2).
3. Klizno izvadite pločasti filtar od nehrđajućeg čelika **C** (sl. 3).
4. Ako pronađete strane predmete (npr. razbijeno staklo, porculan, kosti, sjemenke voća itd.), **pažljivo ih uklonite**.
5. Pregledajte otvor i uklonite sve ostatke hrane. **NIKADA NE SKIDAJTE** štitnik pumpe ciklusa pranja (crni detalj) (sl. 4).



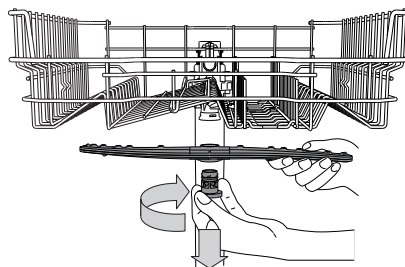
Nakon čišćenja filtara vratite sklop filtra i pravilno ga učvrstite na mjesto; to je važno za održavanje učinkovitog rada perilice suđa..

ČIŠĆENJE ULAZNOG CRIJEVA ZA VODU

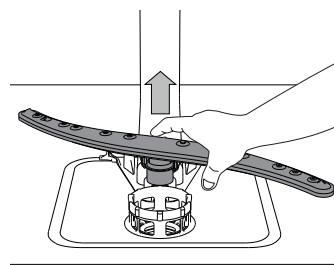
Ako su crijeva za vodu nova ili se dulje vrijeme nisu upotrebljavala pustite da kroz njih prođe voda kako biste bili sigurni da nema nečistoća prije obavljanja potrebnih priključivanja. Ako se ne pridržavate te mjera opreza, može se dogoditi da je blokiran ulaz vode u da se perilica suđa ošteti.

ČIŠĆENJE NOSAČA MLAZNICA

Povremeno, ostaci hrane mogu se skoriti na nosačima mlaznica i blokirati otvore za raspršivanje vode. Zbog toga se preporučuje da povremeno provjerite nosače i očistite ih malom četkicom koja nije metalna.



Gornji krak mlaznice skinite tako da okrenete plastični prsten za završavanje u smjeru kazaljke na satu. Gornji nosač mlaznice treba se zamijeniti tako da je strana s većim brojem otvora okrenuta prema gore.



Donji krak mlaznice može se skinuti tako da se povuče prema gore.

SUSTAV OMEKŠAVANJA VODE

Omekšivač vode automatski smanjuje tvrdoću vode čime se posljedično smanjuje nakupljanje kamenca na grijaču i pridonosi većoj učinkovitosti pranja.

Ovaj se sustav sam obnavlja pomoću soli pa zato spremnik soli treba napuniti kada je prazan.

Učestalost obnavljanja ovisi o postavci razine tvrdoće vode – obnavljanje se odvija jednom na svakih 6 Eko ciklusa s razinom tvrdoće vode postavljenom na 3.

Postupak obnavljanja započinje u fazi završnog ispiranja i završava u fazi sušenja, prije završetka ciklusa.

- Potrošnja jednog ciklusa obnavljanja: ~3,5 l vode;
- Ciklus traje 5 minuta dulje;
- Troši manje od 0,005 kWh struje.

RJEŠAVANJE PROBLEMA

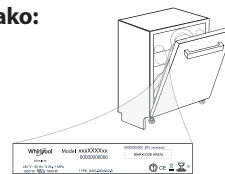
Ako vaša perilica posuđa ne radi ispravno, provjerite može li se problem riješiti prateći popis u nastavku. U slučaju pojave drugih grešaka ili problema obratite se ovlaštenom postprodajnom servisu čije podatke za kontakt možete pronaći u knjižici jamstva. Rezervni dijelovi bit će dostupni u razdoblju narednih 7 ili 10 godina, ovisno o posebnim zakonskim propisima.

PROBLEMI	MOGUĆI UZROCI	RJEŠENJA
Indikator soli je uključen	Spremnik soli je prazan. (Indikator soli može nakon punjenja ostati uključen kroz nekoliko ciklusa pranja).	Napunite spremnik za sol solju (za više informacija pogledajte stranicu 2). Podesite tvrdoću vode - pogledajte tablicu na stranici 2.
Indikator sredstva za ispiranje je uključen	Spremnik sredstva za ispiranje je prazan. (Indikator sredstva za ispiranje može nakon punjenja ostati uključen kroz nekoliko ciklusa pranja).	Napunite spremnik sredstvom za ispiranje (za više informacija pogledajte stranicu 2).
Perilica suđa se ne pokreće ili ne odgovara na komande.	Uređaj nije ispravno priključen.	Uključite utikač u električnu utičnicu.
	Nestanak struje.	Perilica posuđa se iz sigurnosnih razloga neće automatski pokrenuti nakon povratka struje. Otvorite vrata perilice posuđa, pritisnite gumb START/Pauza i u roku od 4 sekunde zatvorite vrata.
	Vrata perilice suša nisu zatvorena. NaturalDry igla nije uvučena.	Vrata čvrsto zatvorite tako da začujete "klik".
	Ciklus se prekida ako su vrata otvorena > 4 sekunde.	Pritisnite START/Pauza i zatvorite vrata uređaja u roku od 4 sekunde.
Perilica suđa ne odgovara na komande. Na zaslonu se prikazuje: 9 ili 12 i LED svjetlo Uključivanje/isključivanje brzo treperi.	Ne odgovara na komande. Na zaslonu se prikazuje: 9 ili 12 i LED svjetlo Uključivanje/isključivanje brzo treperi.	Uređaj isključite pritiskom na gumb uključivanje/isključivanje pa ga nakon otprilike jedne minute ponovno uključite i ponovno pokrenite program. Ako se problem i dalje javlja, uređaj isključite na 1 minutu, zatim ga ponovno uključite
	Perilica suđa ne ispušta vodu. Na zaslonu se prikazuje: 3 i LED svjetlo Uključivanje/isključivanje brzo treperi.	Ciklus pranja još nije završio. Odvodno crijevo je savijeno. Crijevo za pražnjenje izljeva je blokirano. Filtar je začepljen ostacima hrane
Perilica suđa stvara preveliku buku.	Suđe se međusobno udara. Došlo je do stvaranja prevelike količine pjene.	Pravilno složite suđe (<i>pogledajte PUNJENJE KOŠARA</i>). Deterdžent nije pravilno izmjeren ili nije prikladan za upotrebu u perilici suđa (<i>pogledajte PUNJENJE DOZATORA ZA DETERDŽENT</i>). Ponovno pokrenite trenutni ciklus isključivanje perilice posuđa i zatim njenim ponovnim uključivanjem, odaberite novi program, pritisnite START/Pauza i zatvorite vrata u roku 4 sekunde. Nemojte dodavati deterdžent.
Suđe nije čisto.	Suđe nije ispravno složeno.	Pravilno složite suđe (<i>pogledajte PUNJENJE KOŠARA</i>).
	Nosači mlaznica ne mogu se slobodno okretati jer ih ometa suđe.	Pravilno složite suđe (<i>pogledajte PUNJENJE KOŠARA</i>).
	Ciklus pranja je prenježan.	Odaberite odgovarajući ciklus pranja (<i>pogledajte TABLICU PROGRAMA</i>).
	Došlo je do stvaranja prevelike količine pjene.	Deterdžent nije pravilno izmjeren ili nije prikladan za upotrebu u perilici suđa (<i>pogledajte PUNJENJE DOZATORA ZA DETERDŽENT</i>).
	Čep na spremniku sredstva za ispiranje nije pravilno zatvoren.	Provjerite je li čep spremnika za ispiranje zatvoren.
	Filtar je prljav ili začepljen.	Očistite sklop filtra (<i>pogledajte ČIŠĆENJE I ODRŽAVANJE</i>).
Perilica posuđa ne puni se vodom. Svi LED-i brzo trepere. Na zaslonu se prikazuje: H , 6 i LED svjetlo Uključivanje/isključivanje brzo treperi.	Nema soli.	Napunite spremnik soli (<i>pogledajte PUNJENJE I SPREMNİK SOLI</i>).
Perilica posuđa prerano završava ciklus. Na zaslonu se prikazuje: 5 i LED svjetlo Uključivanje/isključivanje brzo treperi.	Nema vode u dovodu vode ili je slavina zatvorena.	Provjerite ima li vode u dovodu vode ili radi li slavina.
	Dovodno crijevo je savijeno.	Provjerite da dovodno crijevo nije savijeno (<i>pogledajte poglavlje INSTALACIJA</i>), ponovno programirajte perilicu posuđa i ponovno pokrenite.
	Sito na dovodnom crijevu vode je začepljeno; treba ga očistiti.	Nakon provjere i čišćenja isključite i uključite perilicu posuđa i pokrenite novi program.
Perilica posuđa prerano završava ciklus. Na zaslonu se prikazuje: 5 i LED svjetlo Uključivanje/isključivanje brzo treperi.	Odvodno je crijevo prenisko postavljeno ili se izljeva u kanalizaciju.	Provjerite je li kraj odvodnog crijeva na ispravnoj visini (<i>pogledajte poglavlje INSTALACIJA</i>). Provjerite izljev u kanalizaciju, ugradite, prema potrebi, ventil za ulaz zraka.
	Zrak u dovodu vode.	Provjerite da na dovodu vode nema propuštanja ili drugih problema koji omogućuju ulaz zraka.
Curenje deterdženta.	Ovisi o vrsti tekućeg deterdženta koji se upotrebljava i može biti jače izraženo u slučaju uključivanja opcije odgode.	Malo curenje neće izazvati neispravnosti uređaja i može se izbjeći promjenom vrste tekućeg deterdženta ili upotrebom tableta.

Pravila, standardne dokumente, naručivanje rezervnih dijelova i dodatne informacije o proizvodu možete pronaći tako:

- Upotreba QR koda na proizvodu.
- Posjetite naše web.mjesto docs.whirlpool.eu/docs i parts-selfservice.europeanappliances.com
- Možete i **kontaktirati naš postprodajni servis** (broj telefona potražite u knjižici jamstva). Kada se obraćate našem postprodajnom servisu navedite kodove navedene na identifikacijskoj pločici proizvoda.

Informacije o modelu mogu se dobiti pomoću QR koda koji se nalazi na oznaci energetske učinkovitosti. Na oznaci se nalazi i identifikacijska oznaka modela koji se može upotrijebiti za pregledavanje portala registra na <https://eprel.ec.europa.eu>.



MINDENNAPI HASZNÁLATI ÚTMUTATÓ



KÖSZÖNJÜK, HOGY A WHIRLPOOL TERMÉKÉT
VÁLASZTOTTA! Teljes körű támogatásért kérjük, regisztrálja
termékét honlapunkon: www.whirlpool.eu/register

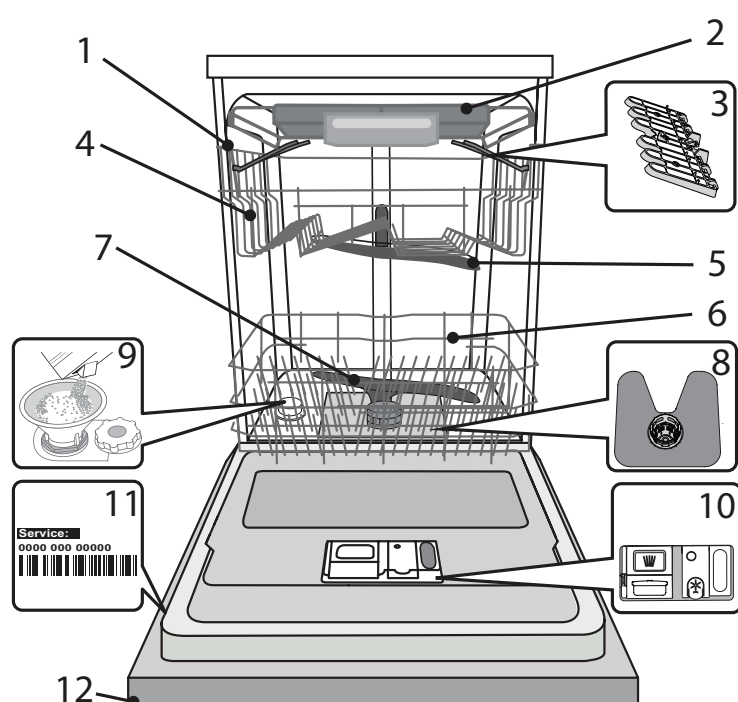
A RÉSZLETESEBB INFORMÁCIÓKÉRT
KÉRJÜK, SZKENNELJE BE A KÉSZÜLÉ-
KÉN TALÁLHATÓ QR KÓDOT



A készülék használata előtt olvassa el figyelmesen a Biztonsági útmutatót.

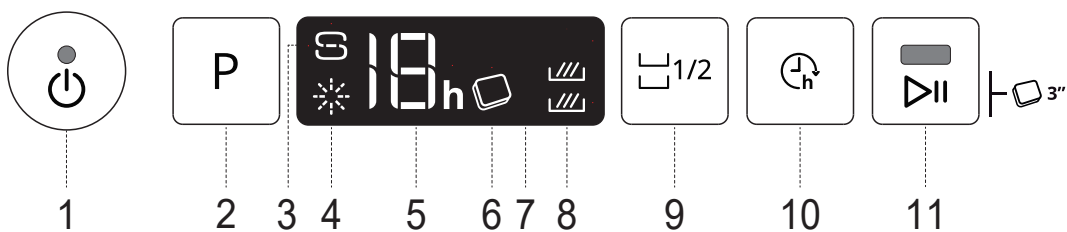
A TERMÉK BEMUTATÁSA

KÉSZÜLÉK



1. Felső kosár
2. Evőeszköztartó
3. Lehajtható polcok
4. Felső kosár magasságbeállítója
5. Felső permetezőkar
6. Alsó kosár
7. Alsó permetezőkar
8. Szűrőegység
9. Sótartály
10. Mosogatószer- és öblítőszer-adagoló
11. Adattábla
12. Kezelőpanel

KEZELŐPANEL



1. Be/Ki/Újraindítás gomb és jelzőfény
2. Programválasztó gomb
3. Só utántöltése jelzőfény
4. Öblítőszer utántöltése jelzőfény
5. Program száma és a késleltetés kijelzése
6. Tabletta (Tab) jelzőfény
7. Kijelző
8. Fél töltet jelzőfénye
9. Fél töltet gomb
10. Késleltetés gomb
11. Indítás/Szünet gomb és jelzőfény / Tabletta (Tab)

ELSŐ HASZNÁLAT SÓ, ÖBLÍTŐSZER ÉS MOSOGATÓSZER


TANÁCSOK AZ ELSŐ HASZNÁLATHOZ

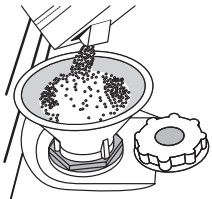
Az üzembe helyezés után távolítsa el az ütközőket a kosarakról és a rugalmas rögzítőelemeket a felső kosárról.

A SÓTARTÁLY FELTÖLTÉSE

Só használatával elkerülhető, hogy VÍZKŐ képződjön az edényeken és a gép funkcionális alkatrészein.

- Feltétlenül szükséges, hogy a **SÓTARTÁLY SOHA NE LEGYEN ÜRES.**
- Fontos, hogy a vízkeménység be legyen állítva.

A sótartály a mosogatógép alsó részén található (lásd **TERMÉK BEMUTATÁSA**), és akkor kell feltölteni, amikor a kezelőpanelen az, **SÓ UTÁNTÖLTÉSE jelzőfény**  világitani kezd.



1. Vegye ki az alsó kosarat, és csavarja ki a tartály kupakját (az óramutató járásával ellentétes irányba).
2. **Csak a legelső használatkor: tölts fel vizzel a sótartályt!**
3. Helyezze be a tölcsejt (lásd az ábrát), és tölts fel teljesen a sótartályt (ehhez kb. 1 kg só szükséges). Előfordulhat, hogy egy kevés víz kifolyik a rekeszből.

4. Vegye ki a tölcsejt, és törölje le az esetlegesen kiszóródott sót a nyílás környékéről.

Zárja vissza szorosan a kupakot úgy, hogy a mosogatási program során ne kerülhessen mosogatószert a tartályba (ellenkező esetben a vízlágyító helyrehozhatatlanul károsodhat).

Ha esedékes a só hozzáadása, mindenképpen el kell végezni az eljárást a mosogatási ciklus megkezdése előtt a korrózió elkerülése érdekében.

A VÍZKEMÉNYSÉG BEÁLLÍTÁSA

A vízlágyító akkor működik tökéletesen, ha a vízkeménységet a lakóhelyén elérhető víz tényleges keménysége alapján állítja be. Ezzel kapcsolatban érdeklődjön a helyi vízműveknél.

A gyár beállítja a vízkeménység alapértelmezett értékét.

- Kapcsolja be a készüléket a **BE/KI** gombbal.
- Kapcsolja ki a készüléket a **BE/KI** gombbal.
- Nyomja meg és tartsa lenyomva a **P** gombot 5 másodpercig, amíg sípolás nem hallatszik.
- Kapcsolja be a készüléket a **BE/KI** gombbal.
- Villogni kezd az aktuálisan kiválasztott szintet jelző szám és asótöltetet jelző fény.
- Nyomja meg a **P** gombot a kívánt keménységi szint kiválasztásához (lásd **VÍZKEMÉNYSÉGI TÁBLÁZAT**).

Víz keménységi táblázat				
Szint	°dH Német rendszer	°fH Francia rendszer	°Clark Angol rendszer	
1	Lágy	0 - 6	0 - 10	0 - 7
2	Közepes	7 - 11	11 - 20	8 - 14
3	Átlagos	12 - 16	21 - 29	15 - 20
4	Kemény	17 - 34	30 - 60	21 - 42
5	Nagyon kemény	35 - 50	61 - 90	43 - 62

- Kapcsolja ki a készüléket a **BE/KI** gombbal.

A beállítás megtörtént.

Ezután edények nélkül futtasson le egy programot.


Kizárólag mosogatógépekhez készült só használjon.

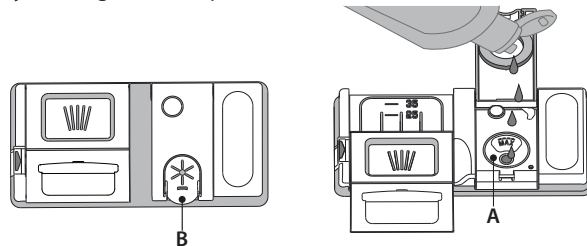
Miután sónt öntött a készülékbe, a „SÓ UTÁNTÖLTÉSE” jelzőfény kialszik.

Ha nem tölti fel a sótartályt, a vízlágyító és a fűtőelem a vízkő felhalmozódása miatt károsodhat.

Só használata bármilyen mosogatószert mellett ajánlott.

AZ ÖBLÍTŐSZER-ADAGOLÓ FELTÖLTÉSE

Az öblítőszert könnyebben SZÁRADNAK az edények. Az öblítőszert-adagoló **A** akkor kell feltölteni, ha az **ÖBLÍTŐSZER UTÁNTÖLTÉSE jelzőfény**  világit a kezelőpanelen.



1. Nyissa ki az adagolót **B** úgy, hogy a fedélén lévő fület lenyomja, majd felfelé húzza.
2. Óvatosan öntse be az öblítőszert. Ne lépje túl a tartályban jelölt maximális mennyiséget (110 ml), és ne öntse ki a folyadékot. Ha ez mégis megtörténik, azonnal törölje fel a kiömlött folyadékot egy száraz ruhával
3. Csukja vissza a fedelet: ehhez nyomja le, amíg kattanás nem hallatszik.

SOHA ne öntse az öblítőszert közvetlenül a mosogatótérbe.

AZ ÖBLÍTŐSZER ADAGOLÁSA

Ha nem elégedett a szárítási eredménnyel, módosítsa a használt öblítőszert mennyiségét.

- Kapcsolja be a mosogatógépet a **BE/KI** gombbal.
- Kapcsolja ki a készüléket a **BE/KI** gombbal.
- Nyomja meg háromszor a **P** gombot, ekkor sípolás hallatszik.
- Kapcsolja be a készüléket a **BE/KI** gombbal.
- Az aktuálisan kiválasztott szintet jelző szám és az öblítőszert jelzőfénye villog.
- Az adagolandó öblítőszert mennyiségét jelző szint beállításához nyomja meg a **P** gombot.
- Kapcsolja ki a készüléket a **BE/KI** gombbal.

A beállítás megtörtént.

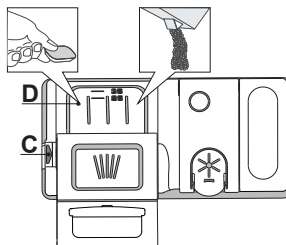
Ha az öblítőszert szintjét 0-ra állítja (ÖKO), a készülék nem adagol öblítőszert. Az **ÖBLÍTŐSZER UTÁNTÖLTÉSE** jelzőfény nem fog kigyulladni, amikor kifogy az öblítőszert.

A mosogatógép típusától függően legfeljebb 5 szint állítható be. A gyári beállítás a modelltől függ – az adott készüléken történő meghatározáshoz kövesse a fenti utasításokat.

- Ha kékes csíkok jelennek meg az edényeken, alacsony értéket állítson be (1-2).
- Ha vízcspek vagy vízkő látható az edényeken, magas értéket állítson be (3-4).

A MOSOGATÓSZER-ADAGOLÓ FELTÖLTÉSE

A mosogatószert-adagoló nyitására használja az C eszközt. A mosogatószert kizárólag a száraz D adagolóba önthető. Az előmosogatáshoz használt mosogatószert közvetlenül a mosogatótérbe helyezze.



















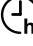

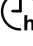

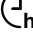


1. A mosogatószert kimérésekor a helyes mennyiség meghatározását az eddigi információk alapján végezze. A mosogatószert-adagoló (**D**) belsejében elhelyezett jelzések segítenek a megfelelő mennyiség meghatározásában.
2. Törölje le a kiömlött mosogatószert az adagoló széléről, majd zárja vissza a fedelet kattanásig.
3. Zárja vissza a mosogatószert-adagoló fedelét: húzza felfelé, amíg a zár szerkezet rögzül.

A mosogatószert-adagoló automatikusan kinyílik, amikor a program az adott szakaszba ér. Kombinált mosogatószert használatok javaslunk, hogy nyomja meg a **TABLETTA** gombot. Ezzel a program úgy módosul, hogy a legjobb mosogatási és szárítási eredményt nyújtja.

A nem mosogatógéphez készült mosogatószert használata a készülék hibás működését vagy sérülését okozhatja.

PROGRAMTÁBLÁZAT

Program	Szárítási fázis	NaturalDry	Választható beállítások **)	A mosogatási program időtartama (óra:perc)***)	Víz-fogyasztás (liter/ciklus)	Energia-fogyasztás (kWh/ciklus)
1. Öko ECO 50°	✓	✓	1/2  	3:10	8,9	0,75
2. Intenzív  65°	✓	✓	1/2  	2:50	17,0	1,60
3. 6 th Sense®  50-60°	✓	✓	1/2  	1:25 - 3:00	7,0 - 14,0	0,90 - 1,40
4. Gyors mosogatás és szárítás  50°	✓	✓	1/2  	1:25	11,5	1,10
5. Gyors 30'  50°	✗	✓	 	0:30	9,0	0,50
6. Halk  50°	✓	✓	 	3:30	16,0	1,15
7. Fertőtlenítő  65°	✓	✗		1:50	12,0	1,30
8. Előmosogatás  -	✗	✗	1/2 	0:12	4,5	0,01
9. Öntisztítás  65°	✗	✗		0:50	8,0	0,85

Az ÖKO program adatainak mérése laboratóriumi körülmények között, az EN 60436:2020 európai szabvány előírásainak megfelelően történt.

Megjegyzés a vizsgáló laboratóriumok számára: az EN összehasonlító vizsgálatainak körülményeivel kapcsolatos információkért írjon a következő címre: dw_test_support@europeanappliances.com. Az edények előkezelése egyik programnál sem szükséges.

*) Nem minden opció használható egyszerre.

**) Az energiatakarékos programtól eltérő programokhoz megadott értékek csak tájékoztató jellegűek.. A tényleges időtartam számos tényezőtől függ, mint például a belépő víz hőmérsékletétől és nyomásától, a helyiség hőmérsékletétől, a mosogatószer mennyiségétől, az edények mennyiségétől és típusától, a súlyelosztástól, a kiválasztott kiegészítő funkcióktól és az érzékelő kalibrációjától. Az érzékelő kalibrációja akár 20 perccel is növelheti a program hosszát.

A PROGRAMOK BEMUTATÁSA

Utasítások a mosogatási ciklus kiválasztásához.

1 ÖKO

Az energiatakarékos programmal átlagosan szennyezett edényeket tisztíthat, amely a kombinált energia- és vízfogyasztása miatt a leghatékonyabb program, és a segítségével kiértékelhető, hogy a készülék megfelel-e az EU energiatakarékos kivitelre vonatkozó jogszabályának.

2 INTENZÍV

Erősen szennyezett edényekhez ajánlott program, amely különösen serpenyőkhöz és sütőedényekhez ideális (kényes edényekhez nem használható).

3 6th SENSE®

Normál szennyezettségű edényekhez, melyeken rászáradt ételmaradék található. Érzékeli a szennyezettség szintjét az edényeken, és a programot ennek megfelelően állítja be.

4 GYORS MOSOGATÁS ÉS SZÁRÍTÁS

Normál mértékben szennyezett edényekhez használható. Mindennap használható program, amely rövid idő alatt optimális mosogatási és szárítási eredményt nyújt.

5 GYORS 30'

Program fél töltes enyhén szennyezett edényhez, amelyen nincs rászáradt ételmaradék. Nem rendelkezik szárítási szakasszal.

6 HALK

Ha a készüléket éjszaka kívánja működtetni, ez a megfelelő program. Optimális mosogatási és szárítási eredményt nyújt a legalacsonyabb zajszint mellett.

7 FERTŐTLENÍTŐ

Normál vagy erősen szennyezett edényekhez használható program, amely egy kiegészítő antibakteriális mosogatást is tartalmaz.

A mosogatógép karbantartására is használható.

8 ELŐMOSOGATÁS

Az edények frissítéséhez, amennyiben azokat később szeretné elmosogatni. Ehhez a programhoz nem kell mosogatószert használni.

9 ÖNTISZTÍTÁS

A mosogatógép karbantartására szolgáló programot csak akkor alkalmazza, ha a mosogatógép ÜRES, valamint használjon a mosogatógép karbantartására alkalmas, speciális tisztítószert.

Megjegyzések:

Vegye figyelembe, hogy a Gyors 28' program enyhén szennyezett edényekhez használható.

OPCIÓK ÉS FUNKCIÓK

Az OPCIÓK kiválasztásához nyomja meg a megfelelő gombot (lásd: KEZELŐPANEL)

Ha valamely opció nem kompatibilis a kiválasztott programmal (lásd: PROGRAMOK TÁBLÁZATA), a megfelelő LED háromszor gyorsan felvillan, és sípoló hangjelzések hallhatók. Az opció nem aktív.

1/2 FÉL TÖLTET

Ha nincs sok mosatlan edény, vizet, áramot és mosogatószert takaríthat meg úgy, hogy fél töltettel indítja el a ciklust. Válassza ki a programot, és nyomja meg a FÉLTÖLTET gombot. Kigyullad a jelzőfény. A beállítás kikapcsolásához nyomja meg a FÉLTÖLTET gombot.

Ne feledje felére csökkenteni a mosogatószer mennyiségét!

KÉSLELTETÉS

A program indítása 1–12 órával késleltethető.

1. Nyomja meg a KÉSLELTETÉS gombot: a kijelzőn kigyullad a megfelelő „h” szimbólum; a gomb minden megnyomáskor nő a beállított mosogatási ciklus indításáig hátralévő idő (1 óra, 2 óra stb., de legfeljebb 12 óra).
2. Válassza ki a mosogatási programot, nyomja meg a INDÍTÁS/SZÜNET gombot, és zárja be az ajtót 4 másodpercen belül. Az időzítő elkezd a visszazámlálást.
3. A beállított idő leteltekor kialszik a „h” jelzőfény, és elindul a mosogatási ciklus.

A késleltetési idő módosításához, azaz rövidebb idő kiválasztásához nyomja meg a KÉSLELTETÉS gombot. A késleltetés törléséhez nyomja meg többször egymás után a gombot, amíg a késleltetett indításhoz tartozó „h” jelzőfény kialszik.

A KÉSLELTETÉS funkció nem állítható be, ha a mosogatási ciklus már fut.

TABLETTA (TAB)

Ezzel a beállítással a használt mosogatószer típusának megfelelően optimalizálható a program hatékonysága.

Ha tablettá formájában kombinált (öblítőt, sót és mosogatószert egyaránt tartalmazó) mosogatószert használ, nyomja meg és tartsa lenyomva a INDÍTÁS/SZÜNET gombot 3 másodpercig (kigyullad a megfelelő szimbólum).

Ha mosogatóport vagy folyékony mosogatószert használ, ezt az opciót ki kell kapcsolni.

NaturalDry

NaturalDry egy olyan konvekciós szárítórendszer, amely automatikusan kinyitja az ajtót a szárítási fázis közben/után a folyamatos, kiemelkedően jó szárítási eredmény érdekében. Az ajtó csak olyan hőmérsékleten nyílik ki, amely nem károsítja a konyhaszekrényeket.

A gőz ellen további védelmet nyújt a mosogatógéphez mellékelt, külön erre a célra tervezett védőfólia. A védőfólia felhelyezésének lépéseit az ÜZEMBE HELYEZÉSI ÚTMUTATÓBAN találja.

A *NaturalDry* működését a felhasználó kikapcsolhatja:

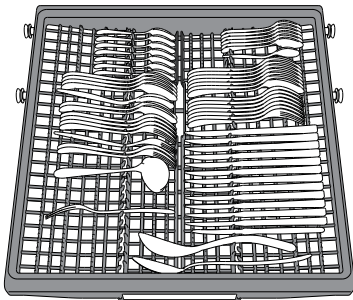
1. Lépjen be a mosogatógép szoftver menüjébe a **P** gomb nyomva tartásával (kb. 6 másodpercig).
2. Ekkor megjelenik a *NaturalDry* Control (*NaturalDry* vezérlés) menü, ahol a **P** gombbal ki- vagy bekapcsolhatja a *NaturalDry* funkciót:

E – engedélyez **d** – letilt

A beállítás jóváhagyásához és a menüből való kilépéshez tartsa nyomva a **P** gombot (3 másodpercig).

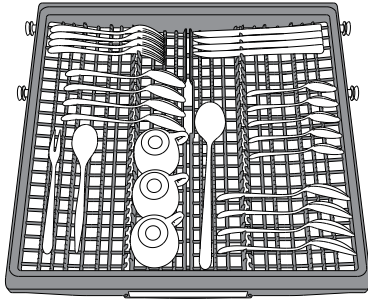
A KOSARAK MEGTÖLTÉSE

EVŐESZKÖZTARTÓ



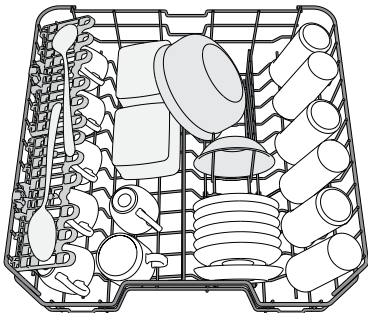
A harmadik kosár az evőeszközök bepakolására szolgál. Az evőeszközöket az ábrán látható módon helyezze el. A külön gyűjtött evőeszközök a mosogatás után könnyebben kivehetőek, valamint így a mosogatási és szárítási eredmény is javul.

A késeket és egyéb éles eszközöket élükkel lefelé rakja a kosárba.



A kosár kialakításának köszönhetően az olyan kisméretű edények, mint a kávécsészék középre helyezhetők.

FELSŐ KOSÁR



(Példa a megtöltött felső kosárra.)

Ide helyezhetők a kényesebb és könnyű edények, például poharak, csészék, tálkák, kis salátástálak.

A FELSŐ KOSÁR MAGASSÁGÁNAK BEÁLLÍTÁSA

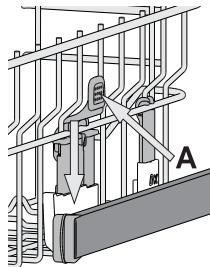
A felső kosár magassága állítható. Ha a felső állásba állítja, az alsó kosárba nagyobb edények helyezhetők; ha az alsó állásba állítja, maximálisan kihasználhatók a lehajtható rögzítőelemek: függőlegesen több hely áll rendelkezésre, és az alsó kosárba pakolt edényeknek is elegendő hely jut.

A **felső kosár magasságbeállítóval** rendelkezik (lásd az ábrát). Magasabbra állításához fogja meg a kosár két oldalát, és az emelőkarok megnyomása nélkül emelje azt feljebb. A kosár a felső helyzetbe áll.

Az alsó helyzetbe állításához nyomja meg a kosár két oldalán lévő emelőkarokat **A**, és tolja lefelé a kosarat.

Kifejezetten javasoljuk, hogy ne módosítsa a kosár magasságát akkor, amikor a kosárban edények találhatók.

A kosár lejjebb vagy feljebb helyezésekor SOHA ne csak az egyik oldal magasságát módosítsa.



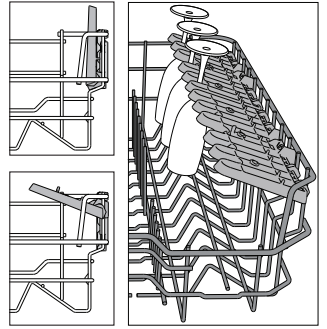
ÁLLÍTHATÓ MAGASSÁGÚ LEHAJTHATÓ POLCOK

A kosárban lévő edények optimális elrendezése érdekében az oldalsó polcok fel- és lehajthatók.

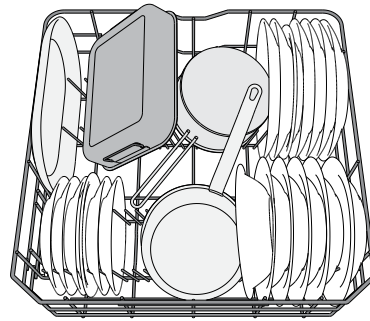
A borospoharak biztonságosan helyezhetők a lehajtható polcokra: a poharak talpát illessze a megfelelő nyílásokba.

Készüléktípustól függően:

- a polcok lehajtatásához csúsztassa azokat fel és forgassa el, vagy vegye ki a rögzítőkből és húzza lefelé.
- a polcok felhajtatásához forgassa azokat el és csúsztassa lefelé, vagy húzza felfelé és rögzítse.



ALSÓ KOSÁR



Ide fazekak, fedők, tányérok, salátástálak, evőeszközök stb. pakolhatók.

A nagyobb tányérokat és fedőket lehetőség szerint a kosár szélére helyezze, hogy biztosan ne érjenek a szórókarokhoz.

(Példa a megtöltött alsó kosárra.)

MINDENNAPI HASZNÁLAT

1. ELLENŐRIZZE A VÍZBEKÖTÉST

Ellenőrizze, hogy a mosogatógép rá van-e kötve a vízhálózatra, és hogy a csap nyitva van-e.

2. KAPCSOLJA BE A MOSOGATÓGÉPET

Nyissa ki a készülék ajtaját, és nyomja meg a **BE/KI** gombot.

3. A KOSARAK MEGTÖLTÉSE (lásd: A KOSARAK MEGTÖLTÉSE)

4. A MOSOGATÓSZER-ADAGOLÓ FELTÖLTÉSE

5. A PROGRAM KIVÁLASZTÁSA ÉS A CIKLUS BEÁLLÍTÁSA

Az edények típusa és szennyezettségi szintje alapján válassza ki a leginkább megfelelő programot (lásd: PROGRAMOK ISMERTETÉSE) a **P** gombbal.

Állítsa be a kívánt opciókat (lásd: OPCIOK ÉS FUNKCIÓK).

6. INDÍTÁS

Indítsa el a programot úgy, hogy megnyomja az **INDÍTÁS/Szünet** gombot (a LED kigyullad), majd 4 másodpercen belül becsukja a készülék ajtaját. A program indítását egy hangjelzés jelzi. Ha az ajtót nem csukja be 4 másodpercen belül, riasztás hallható. Ilyenkor nyissa ki az ajtót, nyomja meg ismét az **INDÍTÁS/Szünet** gombot, majd 4 másodpercen belül csukja be az ajtót.

7. A MOSOGATÁSI CIKLUS VÉGE

A mosogatási ciklus végén sípoló hangjelzések hallhatók, és a kijelzőn villogni kezd a mosogatási ciklus száma.

Nyissa ki az ajtót, és kapcsolja ki a készüléket a **BE/KI** gombbal. Az égési sérülések elkerülése érdekében az edények kipakolása előtt várjon néhány percet. Vegye ki az edényeket. Először az alsó kosarat ürítse ki.

Az energiafogyasztás csökkentése érdekében a készülék automatikusan kikapcsol, ha bizonyos ideig nem használják. Ha az edények enyhén szennyezettek, vagy a mosogatógépbe helyezés előtt vízzel leöblítették azokat, használjon kevesebb mosogatószert.

FUTÓ PROGRAM MÓDOSÍTÁSA

Ha nem megfelelő programot választott, az közvetlenül az indulás után még módosítható: nyissa ki az ajtót, és tartsa nyomva a **BE/KI** gombot, amíg a készülék kikapcsol.

Kapcsolja vissza a mosogatógépet a **BE/KI** gombbal, majd válassza ki az új mosogatási ciklust és az esetleges opciókat. Indítsa el a programot úgy, hogy megnyomja az **INDÍTÁS/Szünet** gombot, majd 4 másodpercen belül becsukja a készülék ajtaját.

TOVÁBBI EDÉNYEK HOZZÁADÁSA

A készülék kikapcsolása nélkül nyissa ki az ajtót. Ekkor az **INDÍTÁS/Szünet** LED villogni kezd (**vigyázzon a kicsapó FORRÓ gőzre!**), majd tegyen be további edényeket a mosogatógépbe. Nyomja meg az **INDÍTÁS/Szünet** gombot, majd 4 másodpercen belül csukja be az ajtót. A készülék onnan folytatja a mosogatási ciklust, ahol az félbeszakadt.

VÉLETLEN MEGSZAKÍTÁS

Ha a mosogatási ciklus közben kinyitják az ajtót, vagy elmegy az áram, a ciklus leáll. Nyomja meg az **INDÍTÁS/Szünet** gombot, majd 4 másodpercen belül csukja be az ajtót. A készülék onnan folytatja a mosogatási ciklust, ahol az félbeszakadt.

TANÁCSOK ÉS TIPPEK

TANÁCSOK

A kosarak megtöltése előtt távolítsa el az ételmaradékokat az edényekről, és ürítse ki a poharakat. **Mosogatás előtt nem szükséges folyó vízzel leöblíteni az edényeket.**

Az edényeket úgy rendezze el, hogy biztosan álljanak, ne dőljenek el könnyen. Az edények nyílása lefelé nézzen, és a homorú/domború részek ferdén álljanak, hogy a víz mindenhova elérjen, és akadálytalanul folyhasson.

Vigyázat! A fedők, fogantyúk, tálak és serpenyők nem állítják meg a forgó szórókarokat.

A kisebb tárgyakat az evőeszközkosárba helyezze. Az erősen szennyezett edényeket az alsó kosárba kell helyezni, mivel ott erősebb a vízpermet, azaz jobb a mosogatási eredmény. A készülék megtöltése után ellenőrizze, hogy a szórókarok forgását nem akadályozza-e valami.

GÉPBE NEM MOSOGATHATÓ EDÉNYEK

- Fából készült edények és evőeszközök.
- Kényes, díszes poharak, kézműves és antik edények. Ezek a díszítések nem bírják a gépi mosogatást.
- Szintetikus anyagból készült részek, amelyek nem bírják a magas hőmérsékletet.
- Réz- és bádogedények.
- Hamuval, viasszal, kenőzsírral vagy tintával szennyezett edények.

A poharakon lévő díszítés és az alumínium- vagy ezüstedények színe megváltozhat, kifakulhat a mosogatás során. Egyes üvegtípusok (pl. kristályüveg) néhány mosogatási ciklus után homályossá válhatnak.

A POHARAK ÉS AZ EDÉNYEK KÁROSODÁSA

- A készülékbe kizárólag olyan üveg- és porcelánedények helyezhetők, amelyek a gyártó állítása szerint mosogatógépben mosogathatók.
- Az edényekhez megfelelő, kímélő mosogatószert használjon.
- Az edényeket és az evőeszközöket a mosogatási ciklus végeztével azonnal vegye ki a mosogatógépből.

A POHARAK ÉS AZ EDÉNYEK KÁROSODÁSA

- Ha a háztartási mosogatógépet a gyártó utasításainak megfelelően használják, **az edények mosogatógépben történő mosogatása általában KEVESEBB ENERGIÁT és vizet igényel, mint a kézi mosogatás.**
- A mosogatógép hatékonyságának maximalizálásához javasolt **a mosogatási programot a mosogatógép teljes betöltése után indítani.** Ha a háztartási mosogatógépet a gyártó által jelzett kapacitásig tölti fel, azzal energiát és vizet takaríthat meg. Az edények helyes betöltésével kapcsolatos információt a **KOSARAK MEGRAKODÁSA** című fejezetben talál. Részleges betöltés esetén javasolt a megfelelő mosogatási beállítást (Fél töltet / Zónamosogatás / Multizone) használni, ha lehetséges, csak a kijelölt kosarakat használva. A mosogatógép helytelen betöltése vagy túltöltése fokozhatja az erőforrások (például víz, energia és idő) felhasználását, megnövelheti a zajszintet, és csökkentheti a mosogatási és szárítási teljesítményt.
- Az edények manuális előöblítése megnövekedett víz- és energiafogyasztást eredményezhet, és nem javasolt.

HIGIÉNYIA

A mosogatógépben keletkező kellemetlen szag és lerakódások elkerülése érdekében legalább havonta egyszer futtasson le egy magas hőmérsékletű programot. Használjon egy teáskanál mosogatószert, és a készülék tisztításához futtassa le a programot edények nélkül.

ÁPOLÁS ÉS KARBANTARTÁS

A SZŰRŐEGYSÉG TISZTÍTÁSA

Rendszeresen tisztítsa ki a szűrőegységet, így megelőzhető a szűrők eltömődése, és a víz szabadon tud távozni.

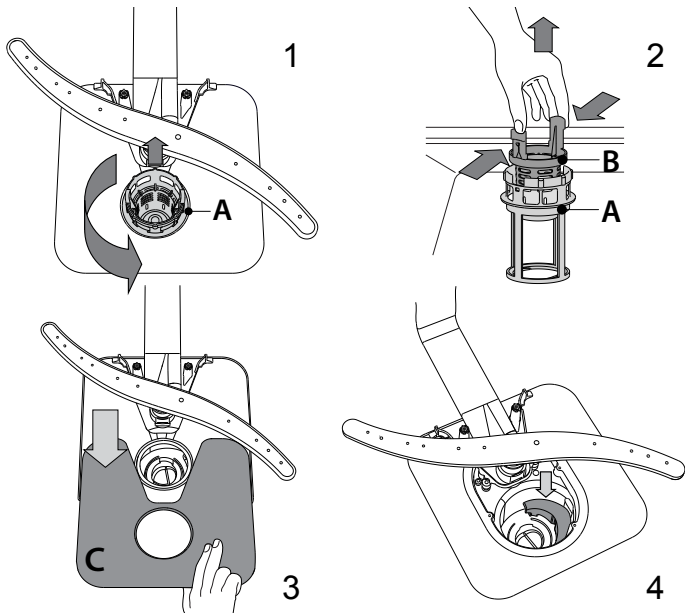
Ha a mosogatógép használata során a szűrők el vannak tömődve, illetve ha a szűrőrendszerben vagy a szórókarokban tárgyak vannak, az a berendezés nem megfelelő működését okozhatja, ami a teljesítmény csökkenését, zajos működést vagy nagyobb erőforrás-felhasználást eredményezhet.

A szűrőegység három szűrőből áll, amelyek eltávolítják az ételmaradékokat a mosogatóvízből, majd visszaforgatják a vizet.

A mosogatógép nem használható szűrők nélkül vagy meglazult szűrővel.

Havonta legalább egyszer vagy 30 programonként ellenőrizze a szűrőegységet, és szükség esetén tisztítsa meg alaposan folyó víz alatt, nemfémes kefével, az alábbi utasításoknak megfelelően:

1. Forgassa a henger alakú szűrőt **A** az óramutató járásával ellentétes irányba, majd húzza ki (1. ábra).
2. Vegye ki a kehely alakú szűrőt **B** úgy, hogy enyhén megnyomja az oldalsó füleket (2. ábra).
3. Csúsztassa ki a rozsdamentes acélból készült szűrőlemezt **C** (3. ábra).
4. Ha idegen tárgyat (például törött üveget, porcelánt, csontot, gyümölcsmagot stb.) talál, **óvatosan távolítsa el azt**.
5. Ellenőrizze a szűrőrészt, és távolítsa el az ételmaradékokat. **SOHA NE TÁVOLÍTSA EL** a mosogatóciklust végző pumpa védőfedelét (feketével jelölve) (4. ábra)!



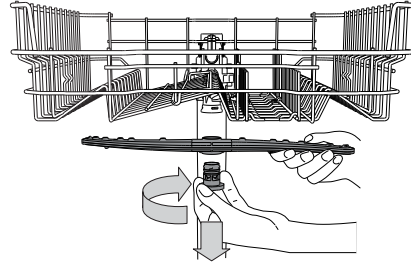
A szűrők tisztítása után helyezze vissza a szűrőegységet, és rögzítse megfelelően a helyére. Ez elengedhetetlen a mosogatógép hatékony működéséhez.

A VÍZBEVEZETŐ TÖMLŐ TISZTÍTÁSA

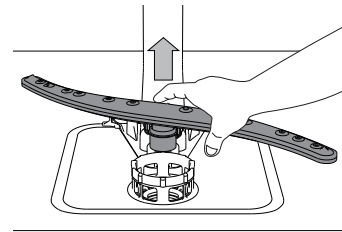
Ha a víztömlők újak, vagy azokat hosszabb ideig nem használták, a csatlakoztatás előtt folyasson át rajtuk vizet, hogy biztosan tiszták és szennyeződéstől mentesek legyenek. Ha nem végzi el ezt az óvintézkedést, a vízbevezető tömlő eltömődhet, és károsíthatja a mosogatógépet.

A SZÓRÓKAROK TISZTÍTÁSA

Időnként ételmaradék száradhat a szórókarokra, és eltömítheti a víz permetezésére szolgáló nyílásokat. Ezért javasoljuk, hogy rendszeresen ellenőrizze a szórókarokat, és tisztítsa meg azokat egy kisméretű, nemfémes kefével.



A felső szórókar leszereléséhez forgassa el a műanyag rögzítőgyűrűt az óramutató járásával megegyező irányba. A felső szórókar visszahelyezésekor ügyeljen arra, hogy a több nyílást tartalmazó oldala nézzen felfelé.



Az alsó szórókart felfelé húzva lehet kivenni a helyéről.

VÍZLÁGYÍTÓ RENDSZER

A vízlágyító rendszer automatikusan csökkenti a víz keménységét, így megelőzve a vízkő felhalmozódását a fűtőszálon, így jobb mosogatási hatékonyságot biztosítva.

A rendszer sóval regenerálja magát, ezért a só tárolót kiürülés esetén fel kell tölteni.



A regenerálás gyakorisága a vízkeménység szintjének beállításától függ - a regenerálás 6 Eco ciklusként történik meg 3-ra állított vízkeménység szinttel.

A regenerálás a végső öblítés közben kezdődik, és a szárítási fázisban, a program vége előtt fejeződik be.

- Egyetlen regenerálás során a készülék: ~3,5 l vizet használ fel;
- A program 5 perccel tovább tart;
- Kevesebb, mint 0,005 kWh energiát használ fel.

HIBAEELHÁRÍTÁS

Ha a mosogatógép nem megfelelően működik, ellenőrizze, hogy a probléma javítható-e az alábbi lista lépéseinek végrehajtásával. Más hibák vagy problémák esetében lépjen kapcsolatba a hivatalos vevőszolgálattal, amelynek kapcsolattartási adatai a garanciafüzetben találhatóak. A pótalkatrészek akár 7, akár 10 évig is rendelkezésre állnak, az adott rendelet követelményeinek megfelelően.

HIBA	LEHETSÉGES OK	MEGOLDÁS
 A só jelzőfénye ég	A sótartály üres. (A sótartály feltöltése után előfordulhat, hogy néhány mosogatási programon keresztül a sószint jelzőfénye tovább világít).	Töltse fel a tartályt sóval (további tudnivalók: 2. oldal). Állítsa be a vízkeménységet. Lásd a 2. oldalon található táblázatot.
 Az öblítőszer jelzőfénye ég	Az öblítőszer adagolója üres. (Az öblítőszer tartály feltöltése után előfordulhat, hogy néhány mosogatási programon keresztül az öblítőszer szintjének jelzőfénye tovább világít).	Töltse fel az adagolót öblítőszerrel (további tudnivalók: 2. oldal).
A mosogatógép nem indul vagy nem reagál a parancsokra.	Nem megfelelően csatlakoztatta a készüléket.	Csatlakoztassa a dugót a hálózati aljzatba.
	Áramkimaradás.	A mosogatógép biztonsági okokból nem indul újra automatikusan az áramszolgáltatás visszatértekor. Nyissa ki a mosogatógép ajtaját, nyomja meg az INDÍTÁS/Szünet gombot, majd 4 másodpercen belül csukja be az ajtót.
	Nincs bezárva a mosogatógép ajtaja. A NaturalDry-fül nincs bepatintva.	Erőteljesen nyomja be az ajtót, amíg kattantást nem hall.
	Az ajtó nyitása miatt a program félbeszakad > 4 másodpercre.	Nyomja meg az INDÍTÁS/Szünet gombot, és csukja be az ajtót 4 másodpercen belül.
A mosogatógép túl hangosan működik. A kijelzőn olvasható felirat: Az 3 és a BE/KI LED gyorsan villog.	A készülék nem reagál a parancsokra. A kijelzőn olvasható felirat: Az 9 vagy 12 és a BE/KI LED gyorsan villog.	Kapcsolja ki a készüléket a BE/KI gombbal, majd kb. 1 perc elteltével kapcsolja vissza, és indítsa újra a programot. Ha a probléma továbbra is fennáll, húzza ki a készüléket a hálózatból 1 percre, majd csatlakoztassa ismét.
	Még tart a mosogatási ciklus.	Várja meg, amíg a mosogatási ciklus véget ér.
	Meghajlott a leeresztőtömlő.	Ellenőrizze, hogy nem hajlott-e meg a leeresztőtömlő (lásd BESZERELÉSI ÚTMUTATÓ).
	Eltömődött a mosogató lefolyócsöve. Az ételmaradékok eltömítették a szűrőt.	Tisztítsa meg a mosogató lefolyócsövét. Tisztítsa ki a szűrőt (lásd A SZÜRŐEGYSÉG TISZTÍTÁSA).
A mosogatógép túl hangosan működik.	Az edények egymáshoz ütődnek.	Az edényeket megfelelően rendezze el (lásd A KOSARAK MEGTÖLTÉSE).
	Túl sok hab képződött.	Nem megfelelően mérte ki a mosogatószert, vagy az nem használható mosogatógépben (lásd A MOSOGATÓSZER-ADAGOLÓ FELTÖLTÉSE). Indítsa el újra az aktuális programot a BE/KI gombbal, majd kapcsolja be ismét a készüléket, válasszon egy új programot, nyomja meg a INDÍTÁS/Szünet gombot, és csukja be az ajtót 4 másodpercen belül. Ne töltsön bele mosogatószert.
Az edények nem tiszták.	Nem megfelelően rendezte el az edényeket.	Az edényeket megfelelően rendezze el (lásd A KOSARAK MEGTÖLTÉSE).
	A szűrőkarok nem forognak szabadon, mivel az edények útban vannak.	Az edényeket megfelelően rendezze el (lásd A KOSARAK MEGTÖLTÉSE).
	A mosogatási ciklus túlzottan kímélő.	Válasszon megfelelő mosogatási ciklust (lásd: PROGRAMOK TÁBLÁZATA).
	Túl sok hab képződött.	Nem megfelelően mérte ki a mosogatószert, vagy az nem használható mosogatógépben (lásd A MOSOGATÓSZER-ADAGOLÓ FELTÖLTÉSE).
	Nem megfelelően zárta vissza az öblítőszer rekeszének kupakját.	Zárja vissza az öblítőszer-adagoló kupakját.
	A szűrő szennyezett vagy eltömődött.	Tisztítsa ki a szűrőegységet (lásd ÁPOLÁS ÉS KARBANTARTÁS).
A készülék nem vesz fel vizet. A kijelzőn olvasható felirat: Az H, 6 és a BE/KI LED gyorsan villog.	Kifogyott a só.	Töltse fel a tartályt (lásd A SÓTARTÁLY FELTÖLTÉSE).
	Nem jön víz a vízvezetékéből, vagy el van zárva a vízcsap.	Ellenőrizze, hogy jön-e víz a vízvezetékéből, és a vízcsap nyitva van-e.
	Meghajlott a vízbevezető tömlő.	Ellenőrizze, hogy nincs-e megtörve a vízbevezető tömlő (lásd: ÜZEMBE HELYEZÉS), állítsa be újra a mosogatógépet, majd indítsa újra.
A mosogatógép idő előtt befejezi a programot. A kijelzőn olvasható felirat: Az 15 és a BE/KI LED gyorsan villog.	Eltömődött a vízbevezető tömlőben lévő szűrő; ki kell tisztítani.	Az ellenőrzés és a tisztítás után kapcsolja ki, majd be a mosogatógépet, és indítson el egy új programot.
	A leeresztőtömlő túl alacsonyra van pozicionálva, vagy háztartási szennyvízelvezető rendszerbe vezet le.	Ellenőrizze, hogy a leeresztőtömlő vége megfelelő magasságban van-e (lásd: ÜZEMBE HELYEZÉS). Ellenőrizze a levezetést a háztartási szennyvízelvezető rendszerbe, és ha szükséges, szereljen be légbevezető szelepet.
A mosószer-szivárgás.	Levegő van a vízrendszerben.	Ellenőrizze, hogy a vízrendszer nem szivárog-e, illetve más probléma miatt nem jut-e be levegő.
	Mértéke a használt folyékony mosószertől függően változik, és a késleltetés opció használata esetén fokozódhat.	A kis szivárgások nem okoznak géphibát, és elkerülhetők a folyékony mosószer típusának megváltoztatásával vagy tabletták használatával.

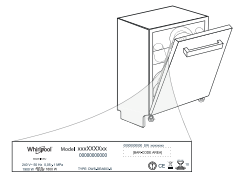
A szabályzatok, a szabványos dokumentáció, a tartalékalkatrészek rendelése és a termékkel kapcsolatos további információk az alábbi elérhetőségeken találhatóak:

- A terméken lévő QR kód használata.
- Látogasson el a docs.whirlpool.eu/docs and parts-selfservice.europeanappliances.com weboldalra.
- Vagy vegye fel a kapcsolatot a vevőszolgálattal (a telefonszámot lásd a garanciafüzetben).

Amennyiben a vevőszolgálathoz fordul, kérjük, adja meg a termék adattábláján feltüntetett kódokat.

A modell adataihoz olvassa be az energiafogyasztást jelölő címkén található QR-kódot.

A címkén található modellazonosító segítségével használható a regisztrációs portál <https://eprel.ec.europa.eu>.



ДНЕВЕН РЕФЕРЕНТЕН ВОДИЧ



ВИ БЛАГОДАРИМЕ ШТО КУПИВТЕ ПРОИЗВОД НА WHIRLPOOL. За да добиете поцелосна помош, ве молиме регистрирајте го вашиот апарат на: www.whirlpool.eu/register

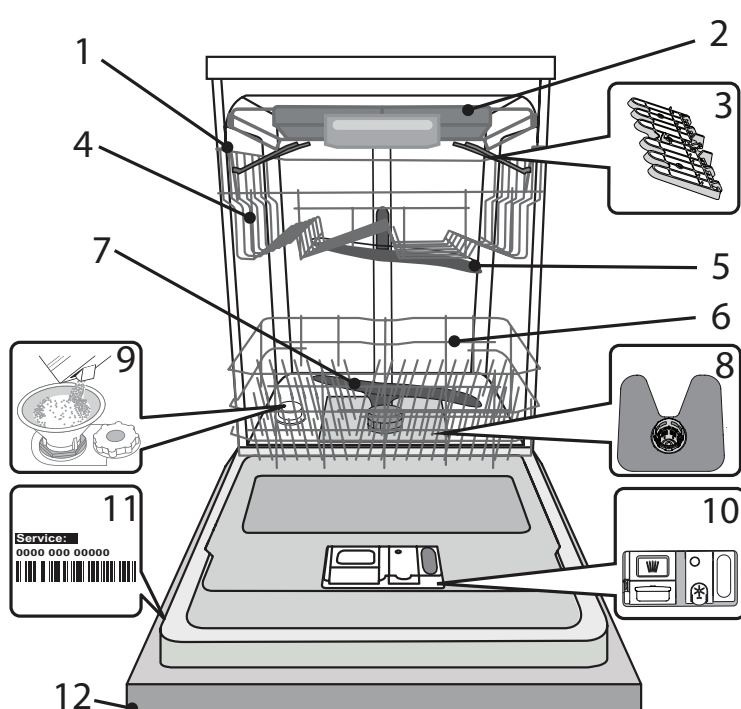
ВЕ МОЛИМЕ СКЕНИРАЈТЕ ГО QR-КОДОТ НА ВАШИОТ ПРОИЗВОД ЗА ДА ИМАТЕ ПОДЕТАЛНИ ИНФОРМАЦИИ.



Пред да го користите апаратот, внимателно прочитајте го Водичот за безбедносни упатства.

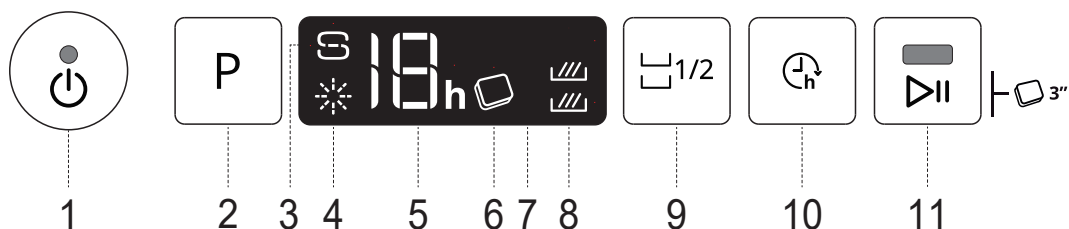
ОПИС НА ПРОИЗВОДОТ

АПАРАТ



1. Горна решетка
2. Решетка за прибор за јадење
3. Склопливи клапи
4. Горна решетка Регулација на висината
5. Горна рачка за прскање
6. Долна решетка
7. Долна рачка за прскање
8. Филтер Склоп
9. Резервоар за сол
10. Резервоар за детергент и средство за плакнење
11. Плоча со ознака
12. Контролна табла

КОНТРОЛЕН ПАНЕЛ



- | | |
|--|--|
| 1. ON-OFF/Копче за ресетирање со индикаторско светло | 7. Екран |
| 2. Копче за избор на програма | 8. Индикаторско светло за Половина Полнење |
| 3. Индикаторско светло за полнење Сол | 9. Копче за Половина Полнење |
| 4. Индикаторско светло за Помош за Плакнење | 10. Копче за Одложување со индикаторско светло |
| 5. Број на програма и индикатор за одложено време | 11. Копче СТАРТ/Пауза со индикаторско светло /
Таблет (Tab) |
| 6. Индикаторско светло за Таблет (Tab) | |

ПРВ ПАТ КОРИСТЕЊЕ СОЛ, СРЕДСТВО ЗА ПЛАКНЕЊЕ И ДЕТЕРГЕНТ

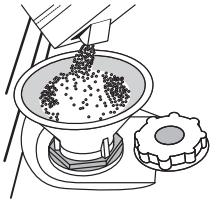
СОВЕТ ЗА ПРВА УПОТРЕБА

По монтажата, извадете ги запирачите од решетките и елементите за прицврстување од горната решетка.

ПОЛНЕЊЕ НА РЕЗЕРВОАРОТ ЗА СОЛ

Употребата на сол го спречува создавањето на ВАРОВНИК на садовите и на функционалните компоненти на машината.

- Задолжително е РЕЗЕРВОАРОТ ЗА СОЛ НИКОГАШ да НЕ БИДЕ ПРАЗЕН.
 - Важно е да ја поставите тврдоста на водата.
- Резервоарот за сол се наоѓа во долниот дел на машината за миене садови (видете ОПИС НА ПРОИЗВОДОТ) и мора да се наполни кога свети индикаторското светло за ПОПОЛНУВАЊЕ СОЛ S во контролната табла.



1. Отстранете ја долната решетка и одвртете го капачето на резервоарот (спротивно од стрелките на часовникот).
2. Само првиот пат кога ќе го направите ова: наполнете го резервоарот за сол со вода.
3. Поставете ја инката (види слика) и наполнете го резервоарот за сол до нејзиниот раб (приближно 1 кг); не е невообичаено да истече малку вода.

4. Отстранете ја инката и избришете ги остатоците од сол од отворот. Проверете дали капачето е цврсто зашрафено, за да не може да влезе детергент во садот за време на програмата за миене (ова може да го оштети омекнувачот на вода трајно).

Секогаш кога треба да додадете сол, задолжително е да ја завршите постапката пред почетокот на циклусот на перење за да избегнете корозија.

ПОСТАВУВАЊЕ НА ТВРДОСТА НА ВОДАТА

За да се овозможи омекнувачот на вода да работи на совршен начин, неопходно е поставката за тврдост на водата да се заснова на вистинската тврдост на водата во вашата куќа. Овие информации може да се добијат од вашиот локален снабдувач со вода.

- Фабриката ја поставува стандардната вредност за тврдоста на водата.
- Вклучете го апаратот со притискање на копчето **ON/OFF**.
 - Исклучете го апаратот со притискање на копчето **ON/OFF**.
 - Држете го копчето **P** 5 секунди, додека не слушнете звучен сигнал.
 - Вклучете го апаратот со притискање на копчето **ON/OFF**.
 - Трепкаат избраниот број на тековното ниво на и показното светло за сол.
 - Притиснете го копчето **P** за да го изберете саканото ниво (видете ТАБЕЛА ЗА ТРЖЛИВОСТ НА ВОДА).

Табела За Тврдоста На Вода

Ниво	°dH		
	Германски степени	Француски степени	°Clark Англиски степени
1 Мека	0 - 6	0 - 10	0 - 7
2 Средна	7 - 11	11 - 20	8 - 14
3 Просечна тврда	12 - 16	21 - 29	15 - 20
4 Тврда	17 - 34	30 - 60	21 - 42
5 Многу тврда	35 - 50	61 - 90	43 - 62

- Исклучете го апаратот со притискање на копчето **ON/OFF**. Постапувањето е завршено!

Штом оваа постапка ќе заврши, стартувајте програма без вчитување.

Користете само сол што е специјално дизајнирана за машини за миене садови.

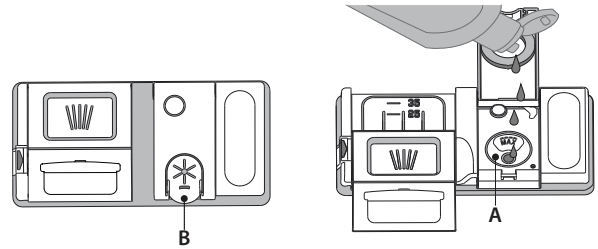
Откако солта ќе се истури во машината, показното светло за ПОПОЛНУВАЊЕ СОЛ се исклучува.

Ако садот за сол не е наполнет, омекнувачот на вода и грејниот елемент може да се оштетат како резултат на акумулација на бигор.

Се препорачува употреба на сол со секаков вид детергент за миене садови.

ПОЛНЕЊЕ НА ДИСПЕНЗЕРОТ ЗА ПЛАКНЕЊЕ

Средството за плакнење го олеснува СУШЕЊЕТО на садовите. Дозерот за средство за плакнење **A** треба да се наполни кога свети индикаторското светло за ПОМОШ ЗА ПЛАКНЕЊЕ REFILL * во контролната табла.



1. Отворете го дозерот **B** со притискање и повлекување на јазичето на капакот.
2. Истурете го средството за плакнење (макс. 110 ml), внимавајте да не се прелее од дозерот. Ако тоа се случи, веднаш исчистете го истекувањето со сува крпа.
3. Притиснете го капакот надолу додека не слушнете клик за да го затворите.

НИКОГАШ не истурајте го средството за плакнење директно во кадата на апаратот.

ПРИЛАГОДУВАЊЕ НА ДОЗАТА НА СРЕДСТВОТО ЗА ПЛАКНЕЊЕ

Ако не сте целосно задоволни со резултатите од сушењето, можете да ја прилагодите количината на употребеното средство за плакнење.

- Вклучете ја машината за миене садови користејќи го копчето **ON/OFF**.
 - Исклучете го со копчето **ON/OFF**.
 - Притиснете го копчето **P** три пати - ќе се слушне звучен сигнал.
 - Вклучете го со копчето **ON/OFF**.
 - Трепкаат бројот на тековното ниво на избор и индикаторското светло за средство за плакнење.
 - Притиснете го копчето **P** за да го изберете нивото на количината на средство за плакнење што треба да се испорача.
 - Исклучете го со помош на копчето **ON/OFF**.
- Постапувањето е завршено!

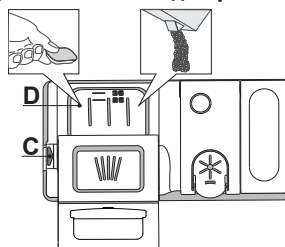
Ако нивото на средството за плакнење е поставено на НУЛА, нема да се испорача средство за плакнење. Показното светло НИСКО ПОМОШ ЗА ПЛАКНЕЊЕ нема да свети ако ви снеса средство за плакнење. Може да се постават најмногу 5 нивоа според моделот на машината за миене садови.

Фабричкото поставување е специфично за моделот, следете ги упатствата погоре за да го проверите ова за вашата машина.

- Ако видите синкасти ленти на садовите, поставете мал број (1-2).
- Ако има капки вода или траги од бигор на садовите, поставете број од среден опсег (3-4).

ПОЛНЕЊЕ НА ДИСПЕНЗЕРОТ ЗА ДЕТЕРГЕНТ

За да го отворите дозерот за детергент, користете го уредот за отворање **C**. Внесете го детергентот само во сувиот дозер **D**. Поставете ја количината на детергент за предмиење директно во кадата.



1. Кога го мерите детергентот, погледнете ги споменатите претходни информации за да ја додадете соодветната количина. Внатре во дозерот **D** има индикации кои помагаат во дозирањето на детергентот.
2. Отстранете ги остатоците од детергентот од рабовите на дозерот и затворете го капакот додека не кликне.
3. Затворете го капакот на дозерот за детергент со влечење нагоре додека уредот за затворање не се прицврсти на своето место. Дозерот за детергент автоматски се отвора во вистинско време според програмата. Ако се користат сè-во-едно детергенти, препорачуваме да го користите копчето ТАБЛЕТ, бидејќи ја прилагодува програмата така што секогаш се постигнуваат најдобри резултати при перење и сушење.

Употребата на детергент што не е наменет за машини за миене садови може да предизвика дефект или оштетување на апаратот.

ТАБЕЛА НА ПРОГРАМИ

Програма	Фаза на сушење Natural-Dry	Достапни опции *)	Времетраење на програмата за миење (ч:мин)**)	Потрошувачка на вода (литри/циклус)	Потрошувачка на енергија (kWh/циклус)
1. Еко ECO 50°	✓	1/2, 1h, 1.5h	3:10	8,9	0,75
2. Интензивно 65°	✓	1/2, 1h, 1.5h	2:50	17,0	1,60
3. 6 th Sense® 50-60°	✓	1/2, 1h, 1.5h	1:25 - 3:00	7,0 - 14,0	0,90 - 1,40
4. Брзо миење и сушење 50°	✓	1/2, 1h, 1.5h	1:25	11,5	1,10
5. Рапид 30' 50°	✗	1h, 1.5h	0:30	9,0	0,50
6. Тивко 50°	✓	1h, 1.5h	3:30	16,0	1,15
7. Дезинфекција 65°	✓	1h	1:50	12,0	1,30
8. Пред-миење -	✗	1/2, 1h	0:12	4,5	0,01
9. Самочистење 65°	✗	1h	0:50	8,0	0,85

Податоците од програмата ЕКО се мерат во лабораториски услови според европскиот стандард EN 60436:2020.

Забелешка за тест лаборатории: За информации за компаративните услови за тестирање EN, ве молиме испратете е-пошта на следната адреса: dw_test_support@eurolpanappliances.com

Не е потребен претходен третман на садовите пред некоја од програмите.

*) Не можат сите опции да се користат истовремено.

**) Вредностите дадени за програми различни од еко-програмата се само индикативни. Вистинското време може да варира во зависност од многу фактори како што се температурата и притисокот на влезната вода, собната температура, количината на детергент, количината и типот на полнење, балансирањето на товарот, дополнителните избрани опции и калибрацијата на сензорот. Калибрацијата на сензорот може да го зголеми времетраењето на програмата до 20 мин..

ОПИС НА ПРОГРАМИТЕ

Инструкции за избор на циклус на миење

1 ЕКО

Еко програмата е погодна за чистење на нормално извалкани садови, бидејќи за оваа употреба е најефикасната програма во однос на нејзината комбинирана потрошувачка на енергија и вода и дека се користи за проценка на усогласеноста со законодавството на ЕУ за екодизајн.

2 ИНТЕНЗИВНО

Програма се препорачува за многу извалкани садови, особено погодна за тави и тенџериња (дане се користи за деликатни предмети).

3 6th SENSE®

За нормално извалкани садови со остатоци од сушена храна. Го детектира нивото на нечистотија на садовите и соодветно ја прилагодува програмата.

4 БРЗО МИЕЊЕ И СУШЕЊЕ

Нормално извалкани садови. Секојдневен циклус, кој обезбедува оптимални перформанси на чистење за пократко време.

5 РАПИД 30'

Програма што ќе се користи за половина товар на лесно извалкани садови без остатоци од исушена храна. Нема фаза на сушење.

6 ТИВКО

Погоден за ноќно работење на апаратот. Обезбедува оптимални перформанси на чистење и сушење со најниска емисија на бучава.

7 ДЕЗИНФЕКЦИЈА

Нормално или многу извалкани садови, со дополнително антибактериско перење. Може да се користи за одржување на машината за миење садови.

8 ПРЕД-МИЕЊЕ

Користете го за освежување на садовите што се планира да се мијат подоцна. Не може да се користи детергент со оваа програма.

9 САМОЧИСТЕЊЕ

Програма што треба да се користи за одржување на машината за миење садови, да се врши само кога машината за миење садови е ПРАЗНА со користење на специфични детергенти наменети за одржување на машината за миење садови.

Забелешки:

Ве молиме имајте предвид тој циклус *Рапид 30'*, е наменет за малку извалкани садови.

ОПЦИИ И ФУНКЦИИ

ОПЦИИ може да се избераат директно со притискање на соодветното копче (видете КОНТРОЛЕН ПАНЕЛ).

Ако некоја опција не е компатибилна со избраната програма (видете ТАБЕЛА НА ПРОГРАМИ), соодветната LED трепка брзо 3 пати и ќе се огласат звучни сигнали. Опцијата нема да биде овозможена.

1/2 ПОЛОВИНА ПОЛНЕЊЕ

Ако нема многу садови за миеење, може да се користи циклус на половина полнење за да се заштеди вода, струја и детергент. Изберете ја програмата и притиснете го копчето ПОЛОВИНА ПОЛНЕЊЕ: индикаторското светло ќе светне. Притиснете го копчето ПОЛОВИНА ПОЛНЕЊЕ за да ја поништите оваа опција.

Не заборавајте да ја преполовите количината на детергент.

ТАБЛЕТ (ТАБ)

Оваа поставка ви овозможува да ги оптимизирате перформансите на програмата според видот на употребениот детергент.

Притиснете го СТАРТ/Пауза копче за 3 секунди (соодветниот симбол ќе светне) ако користите комбинирани детергенти во форма на таблети (средство за плакнење, сол и детергент во 1 доза).

Ако користите прашок или течен детергент, оваа опција треба да биде исклучена.

ОДЛОЖУВАЊЕ

Времето на започнување на програмата може да биде одложено за временски период помеѓу 1 и 12 часа.

1. Притиснете го копчето ОДЛОЖУВАЊЕ: соодветниот симбол «h» се појавува на екранот; секогаш кога ќе го притиснете копчето, времето (1h, 2h итн. до макс. 12h) од почетокот на избраниот циклус на перење ќе се зголемува.
2. Изберете ја програмата за миеење, притиснете го копчето СТАРТ/Пауза и затворете ја вратата во рок од 4 секунди: тајмерот ќе почне да одбројува.
3. Откако ќе истече ова време, показното светло «h» се исклучува и циклусот на перење започнува.

За да го прилагодите времето на одложување и да изберете пократок временски период, притиснете го копчето ОДЛОЖУВАЊЕ. За да го откажете, притискајте го копчето повеќепати додека не се исклучи избраното показно светло за одложен почеток «h».

Функцијата ОДЛОЖУВАЊЕ не може да се постави откако ќе се стартува програмата.

NaturalDry

NaturalDry - Тоа е систем за сушење со конвекција кој автоматски ја отвора вратата за време/по фазата на сушење за да обезбеди исклучителни перформанси на сушење секој ден. Вратата се отвора на температура што е безбедна за мебелот од вашата кујна.

Како дополнителна заштита од пареа, заедно со машината за садови се додава специјално изработена заштитна фолија. За да видите како да ја монтирате заштитната фолија, погледнете го УПАТСТВОТО ЗА ИНСТАЛАЦИЈА.

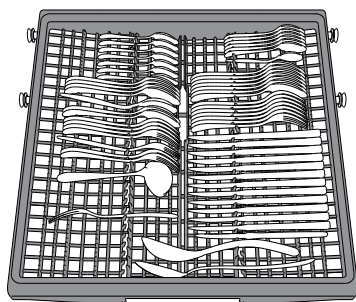
Корисникот може да ја оневозможи функцијата *NaturalDry* на следниов начин:

1. Одете во менито на софтверот Машина за миеење садови притискајќи и држејќи го копчето **P** (6 секунди).
2. Се префрливте на менито за контрола на *NaturalDry*, можете да го промените статусот на функцијата *NaturalDry* со притискање на копчето **P**:
E – овозможено **d** – оневозможено

За да ја потврдите промената и да излезете од Контролното мени, притиснете и задржете го копчето **P** (3 секунди).

ПОПОЛНУВАЊЕ НА РЕШТКИТЕ

РЕШЕТКА ЗА ПРИБОР ЗА ЈАДЕЊЕ

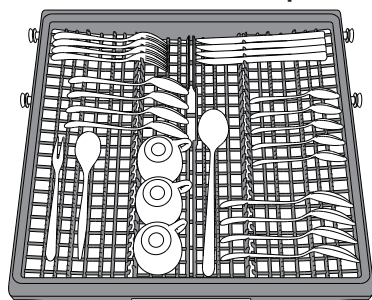


Третата решетка е наменета за приборот за јадење.

Наредете го приборот за јадење како што е прикажано на сликата.

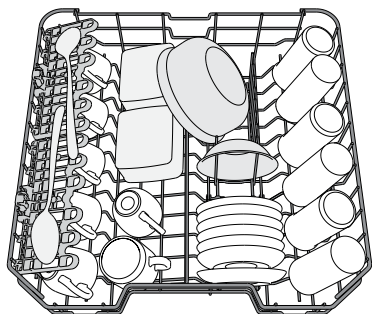
Посебното распоредување на приборот за јадење го олеснува собирањето по миењето и ги подобрува перформансите на миење и сушење.

Ножевите и другите прибори со остри рабови мора да бидат поставени со сечилата свртени надолу.



Геометријата на стелажата позволява поставянето на малки предмети како чаши за кафе в зоната в средата.

ГОРНА РЕШЕТКА



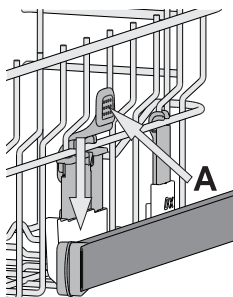
Ставете деликатни и лесни садови: чаши, шољи, чинии, ниски чинии за салатата.

(пример за пополнување на горната решетка)

ПРИЛАГОДУВАЊЕ НА ВИСИНАТА НА ГОРНАТА РЕШЕТКА

Висината на горната решетка може да се прилагоди: висока положба за ставање гломазни садови во долната корпа и ниска положба за максимално искористување на потпирачите за капење со создавање повеќе простор нагоре и избегнување судир со ставки натоварени во долната решетка.

Горната решетка е опремена со **регулатор на висината на горниот решетка** (види слика), без притискање на рачките, подигнете ја нагоре со едноставно држење на страните на решетката, штом решетката е стабилна во горната положба. За да се вратите во долната положба, притиснете ги рачките **A** на страните на решетката и поместете ја корпата надолу.



Силно препорачуваме да не ја прилагодувате висината на решетката кога е наполнета.

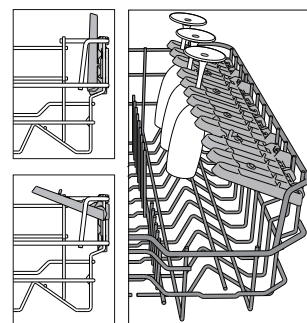
НИКОГАШ не ја кревајте или спуштајте корпата само од едната страна.

СТРАНИЧНИ КЛАПИ СО ПРИЛАГОДЛИВА ПОЛОЖБА

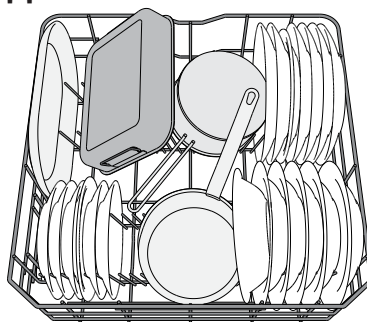
Страничните преклопни клапи може да се преклопат или да се расклопат за да се оптимизира распоредот на садовите во решетката. Чашите за вино може безбедно да се стават во преклопните клапи со вметнување на стеблото на секоја чаша во соодветните отвори.

Во зависност од моделот:

- за да ги одвиткате клапите, потребно е да го лизнете нагоре и да го ротираете или ослободите од прицврстувачите и да го повлечете надолу.
- за да ги свиткате клапите, потребно е да го ротираете и да ги лизнете клапите надолу или да го повлечете нагоре и да ги закачите клапите на клиповите.



ДОЛНА РЕШЕТКА



За тенџериња, капаци, чинии, чинии за салатата, прибор за јадење итн. Големите чинии и капаци може идеално да се постават на страните за да не се попречи кракот на прскалката.

(пример за полнење на долната решетка)

СЕКОЈДНЕВНА УПОТРЕБА

1. ПРОВЕРЕТЕ ГО ПОВРЗУВАЊЕТО ВО ВОДА

Проверете дали машината за миење садови е поврзана со довод на вода и дали славината е отворена.

2. ВКЛУЧЕТЕ ЈА МАШИНАТА ЗА МИЕЊЕ ЗА САДОВИ

Отворете ја вратата и притиснете го копчето **ON/OFF**.

3. ПОЛНЕТЕ ГИ РЕШЕТКИТЕ

(видете ПОПОЛНУВАЊЕ НА РЕШЕТКИТЕ)

4. ПОЛНЕЊЕ НА ДИСПЕНЗЕРОТ ЗА ДЕТЕРГЕНТ

5. ИЗБЕРЕТЕ ЈА ПРОГРАМАТА И ПРИЛАГОДУВАЈТЕ ГО ЦИКЛУСОТ

Изберете ја најсоодветната програма во согласност со типот на садовите и нивото на неговата извалканост (видете ОПИС НА ПРОГРАМИТЕ) со притискање на копчето **P**. Изберете ги саканите опции (видете ОПЦИИ И ФУНКЦИИ).

6. СТАРТ

Започнете го циклусот на перење со притискање на копчето **СТАРТ/Пауза** (светилката свети) и затворање на вратата во рок од 4 секунди. Кога програмата ќе започне, слушате еден звучен сигнал. Ако вратата не се затвори во рок од 4 секунди, ќе се репродуцира алармот. Во овој случај, отворете ја вратата, притиснете го копчето **СТАРТ/Пауза** и повторно затворете ја вратата во рок од 4 секунди.

7. КРАЈ НА ЦИКЛУСОТ НА ПЕРЕЊЕ

Крајот на циклусот на перење се означува со звучни сигнали и со трепкање на бројот на циклусот на перење на екранот. Отворете ја вратата и исклучете го апаратот со притискање на копчето **ON/OFF**. Почekaјте неколку минути пред да ги извадите садовите - за да избегнете изгореници. Растоварете ги решетките, почнувајќи од долниот.

Машината автоматски ќе се исклучи за време на одредени подолги периоди на неактивност, со цел да се минимизира потрошувачката на електрична енергија. Ако садовите се малку извалкани или ако се исплакнат со вода пред да се стават во машина за миење садови, соодветно намалете ја количината на употребениот детергент

МОДИФИКУВАЊЕ НА ВКЛУЧЕНА ПРОГРАМА

Ако е избрана погрешна програма, можно е да се смени, под услов да само што започнала: притиснете и задржете го копчето **ON/OFF**, машината ќе се исклучи. Вклучете ја машината повторно користејќи го копчето **ON/OFF** и изберете го новиот циклус на перење и сите посакувани опции; започнете го циклусот со притискање на копчето **СТАРТ/Пауза**.

ДОДАВАЊЕ НА ДОПОЛНИТЕЛНИ САДОВИ

Без исклучување на машината, отворете ја вратата (**пазете се од ТОПЛА пареа!**) и ставете ги садовите во машината за миење садови. Затворете ја вратата и притиснете го копчето **СТАРТ/Пауза** циклусот ќе започне од местото каде што бил прекинат.

СЛУЧАЈНИ ПРЕКИНИ

Ако вратата се отвори за време на циклусот на перење или ако дојде до прекин на струја, циклусот престанува. Откако ќе се затвори вратата или ќе се врати напојувањето со електрична енергија, за повторно да го започнете циклусот од местото каде што беше прекинат, притиснете го копчето **СТАРТ/Пауза**.

СОВЕТИ И ПРЕДЛОЗИ

СОВЕТИ

Пред да ги ставите корпите, отстранете ги сите остатоци од храна од садовите и испразнете ги чашите. Не треба претходно да се плакнете под млаз вода.

Наредете ги садовите така што да се држат цврсто и да не се превртуваат; и наредете ги контејнерите со отворите свртени надолу и конкавните/конвексните делови поставени косо, со што ќе дозволите водата да стигне до секоја површина и слободно да тече.

Предупредување: капаците, рачките, плеховите и тавите за пржење не го спречуваат ротирањето на краците на распрскувачот. Ставете ги сите мали предмети во корпата за прибор за јадење.

Многу валкани садови и тави треба да се стават во долната корпа бидејќи во овој сектор прскањата со вода се посилен и овозможуваат повисоки перформанси на миење.

Откако ќе го наполните апаратот, проверете дали краците на распрскувачот можат слободно да се ротираат.

ОШТЕТУВАЊЕ НА ЧАШИТЕ И ПРИБОРОТ

- Користете само чаши и порцелан гарантирани од производителот како безбедни во машина за миење садови.
- Користете нежен детергент погоден за садови
- Соберете чаши и прибор за јадење од машината за миење садови штом ќе заврши циклусот на миење.

ХИГИЕНА

За да избегнете мирис и талог што може да се акумулира во машината за миење садови, **користете програма за висока температура најмалку една месечно**. Користете една кафена лажичка детергент и истурете ја без полнење за да го исчистите вашиот апарат.

НЕСООДВЕТНИ САДОВИ

- Дрвени садови и прибор за јадење.
- Нежно украсени чаши, уметнички ракотворби и антички садови. Нивните украси не се отпорни.
- Делови од синтетички материјал кои не издржуваат високи температури.
- Бакарни и лимени садови.
- Садови извалкани со пепел, восок, маст за подмачкување или мастило. Боите на стаклените украси и алуминиумските/сребрените парчиња може да се променат и избледат за време на процесот на перење. Некои видови стакло (на пр. кристални предмети) може да станат непроѕирни и по неколку циклуси на перење.

СОВЕТИ ЗА ШТЕДЕЊЕ НА ЕНЕРГИЈА

- Кога машината за миење садови за домаќинство се користи според упатствата на производителот, **миењето садови во машина за садови обично троши помалку енергија и вода отколку рачното миење садови**.
- Со цел да се зголеми ефикасноста на машината за миење садови, **се препорачува да се започне циклусот на миење откако машината за миење садови е целосно наполнета**. Полнењето на машината за миење садови за домаќинство до капацитетот назначен од производителот ќе придонесе за заштеда на енергија и вода. Информациите за правилното ставање на садовите за јадење може да се најдат во поглавјето **ПОПОЛНУВАЊЕ НА РЕШЕТКИТЕ**. Во случај на делумно полнење, се препорачува да се користат посебни опции за перење доколку се достапни (Половина Полнење, Zone Wash, Multizone), пополнувајќи ги само избраните лавици. Неправилното полнење или преоптоварување на машината за миење садови може да го зголеми искористувањето на ресурсите (како што се вода, енергија и време, како и да го зголеми нивото на бучава), намалувајќи ги перформансите на чистење и сушење.
- Рачното претходно плакнење на садовите за јадење доведува до зголемена потрошувачка на вода и енергија и не се препорачува. лажичка детергент и истурете ја без полнење за да го исчистите вашиот апарат.

НЕГА И ОДРЖУВАЊЕ

ЧИСТЕЊЕ НА СКЛОПОТ НА ФИЛТЕРОТ

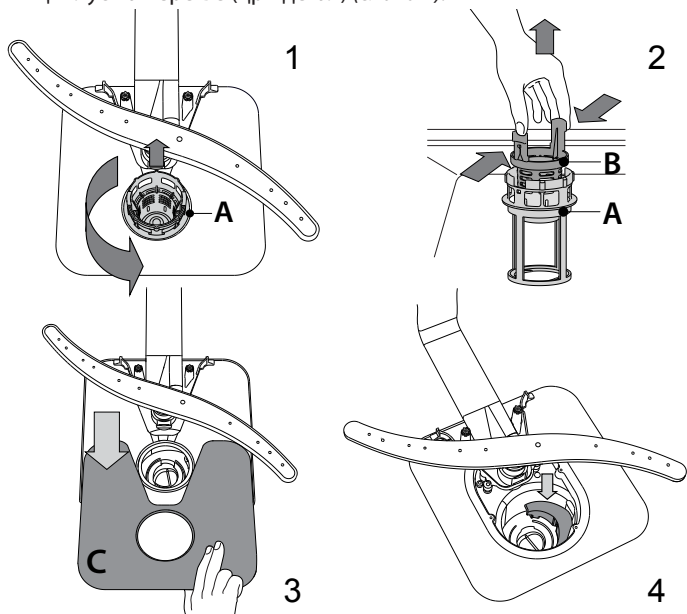
Редовно чистете го склопот на филтерот за да не се затнат филтрите и правилно да тече отпадната вода.

Користењето машина за миење садови со затнати филтри или туѓи предмети во системот за филтрирање или прскалки може да предизвика дефект на единицата што резултира со губење на перформансите, бучна работа или поголема употреба на ресурси. Склопот на филтерот се состои од три филтри кои ги отстрануваат остатоците од храна од водата за перење и потоа ја рециркулираат водата.

Машината за миење садови не смее да се користи без филтри или ако филтерот е лабав.

Најмалку еднаш месечно или по секои 30 циклуси, проверете го склопот на филтерот и доколку е потребно исчистете го темелно под проточна вода, користејќи неметална четка и следејќи ги упатствата подолу:

1. Свртете го цилиндричниот филтер **A** во насока спротивно од стрелките на часовникот и извлекете го (слика 1).
2. Отстранете го филтерот за чаши **B** со мал притисок врз страничните клапи (слика 2).
3. Извлекете го филтерот со плоча од не'рѓосувачки челик **C** (слика 3).
4. Во случај да најдете туѓи предмети (како скршено стакло, порцелан, коски, семки од овошје итн.) **Ве молиме внимателно отстранете ги.**
5. Проверете ја стапицата и отстранете ги сите остатоци од храна. **НИКОГАШ НЕ ОТСТРАНУВАЈТЕ** ја заштитата на пумпата за циклус на перење (црн детал) (слика 4).



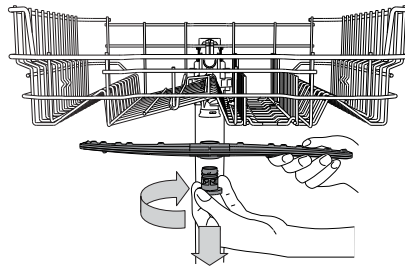
Откако ќе ги исчистите филтрите, повторно поставете го склопот на филтерот и правилно фиксирајте го во положбата; ова е од суштинско значење за одржување на ефикасната работа на машината за миење садови.

ЧИСТЕЊЕ НА ЦРЕВОТО ЗА ВЛЕЗ НА ВОДА

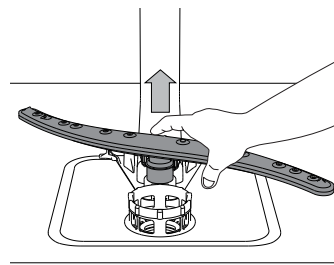
Ако цревата за вода се нови или не биле користени подолг временски период, оставете ја водата да тече за да бидете сигурни дека е чиста и без нечистотии пред да ги извршите потребните приклучоци. Ако не се преземе оваа мерка на претпазливост, доводот за вода може да се блокира и да ја оштети машината за миење садови.

ЧИСТЕЊЕ НА ПРСКАЛКИТЕ

Во некои прилики, остатоците од храна може да се наталожат на прскалките и да ги блокираат дупките што се користат за прскање на водата. Затоа се препорачува одвреме-навреме да ги проверувате краците и да ги чистите со мала неметална четка.



За да ја извадите горната рачка за прскање, свртете го пластичниот прстен за заклучување во насока на стрелките на часовникот. Горната прскалка треба да се замени така што страната со поголем број отвори да биде свртена нагоре.



Долната рачка за прскање може да се отстрани со влечење нагоре.

СИСТЕМ ЗА ОМЕКНУВАЊЕ НА ВОДАТА

Омекнувачот на вода автоматски ја намалува тврдоста на водата, следствено, спречувајќи наталожување бигор на грејачот, придонесувајќи и за подобра ефикасност на чистењето.

Овој систем сам се регенерира со сол, затоа е потребно повторно да се наполни садот за сол кога е празен.

Фреквенцијата на регенерација зависи од поставувањето на нивото на тврдост на водата. Регенерацијата се одвива еднаш на секои **6** Еко циклуси со ниво на тврдост на водата поставено на 3.

Процесот на регенерација започнува во последното плакнење и завршува во фазата на сушење, пред да заврши циклусот.

- Единечната регенерација троши: ~3,5L вода;
- Потребни се до 5 дополнителни минути за циклусот;
- Троши под 0,005 kWh енергија.

РЕШАВАЊЕ НА ПРОБЛЕМИ

Во случај вашата машина за миене садови да не работи правилно, проверете дали проблемот може да се реши со одење низ следнава листа. За други грешки или проблеми, ве молиме контактирајте со овластен сервис за постпродажба, кој деталите за контакт може да ги најдете во гарантната книшка. Резервните делови ќе бидат достапни за период до 7 или до 10 години, во согласност со специфичните барања на регулативата.

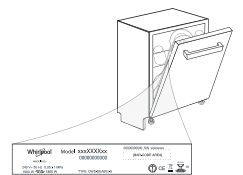
ПРОБЛЕМИ	МОЖНИ ПРИЧИНИ	РЕШЕНИЈА
Индикаторот за сол свети.	Резервоарот за сол е празен. (По повторно полнење, индикаторот за сол може да остане запален неколку циклуси на перење).	Пополнете го резервоарот со сол (за повеќе информации - видете на страница 2). Прилагодете ја тврдоста на водата - видете ја табелата, страница 2.
Индикаторот за средство за плакнење свети.	Дозерот за средство за плакнење е празен. (По повторно полнење, индикаторот за средство за плакнење може да остане запален неколку циклуси на перење).	Наполнете го дозерот со средство за плакнење (за повеќе информации - видете на страница 2).
Машината за миене садови нема да се вклучи или не реагира на командите.	Апаратот не е приклучен правилно.	Вметнете го приклучокот во штекерот.
	Прекин на струја	Од безбедносни причини, машината за миене садови нема повторно да се вклучи автоматски кога ќе се врати напојувањето. Отворете ја вратата од машината за миене садови, притиснете го копчето СТАРТ/Пауза и затворете ја вратата во рок од 4 секунди.
	Вратата на машината за миене садови не е затворена. Иглата NaturalDry не е вовлечена.	Енергично туркајте ја вратата додека не слушнете „клик“.
	Циклусот е прекинат со отворање на вратата повеќе од 4 секунди.	Притиснете СТАРТ/Пауза и затворете ја вратата во рок од 4 секунди.
Машината за миене садови нема да исцеди. Екранот покажува: 3 и двете LED диоди за вклучување/исклучување и СТАРТ/Пауза брзо трепкаат.	Не реагира на команди. Екранот покажува: 9 или 12 и LED-то за вклучување/исклучување брзо трепка.	Исклучете го апаратот со притискање на копчето за ON/OFF, вклучете го повторно по приближно една минута и рестартирајте ја програмата. Ако проблемот продолжи, исклучете го апаратот 1 минута, а потоа повторно вклучете го.
	Циклусот на перење сè уште не е завршен.	Почekaјте додека не заврши циклусот на перење.
	Цревото за одвод е свиткано.	Проверете дали одводното црево не е свиткано (видете УПАТСТВО ЗА ИНСТАЛАЦИЈА).
	Цевката за одвод на мијалникот е блокирана.	Исчистете ја одводната цевка на мијалникот.
Машината за миене садови прави прекумерна бучава.	Филтерот е затнат со остатоци од храна.	Исчистете го филтерот (видете ЧИСТЕЊЕ НА СКЛОПОТ НА ФИЛТЕР).
	Садовите се удаат едни со други.	Правилно поставете ги садовите (видете ПОПОЛНУВАЊЕ НА РЕШЕТКИТЕ).
	Произведено е прекумерно количество пена.	Детергентот не е правилно измерен или не е погоден за употреба во машини за миене садови (видете ПОЛНЕЊЕ НА ДИСПЕНЗЕРОТ ЗА ДЕТЕРГЕНТ). Рестартирајте го тековниот циклус со исклучување на машината за миене садови, потоа повторно вклучете ја, изберете нова програма, притиснете СТАРТ/Пауза и затворете ја вратата во рок од 4 секунди. Ве молиме не додавајте детергент.
Садовите не се чисти.	Садовите не се наредени како што треба.	Правилно наредете ги садовите (видете ПОПОЛНУВАЊЕ НА РЕШЕТКИТЕ).
	Прскалките не можат слободно да се ротираат, бидејќи садовите ги попречуваат.	Правилно наредете ги садовите (видете ПОПОЛНУВАЊЕ НА РЕШЕТКИТЕ).
	Циклусот на миене е премногу нежен.	Изберете соодветен циклус на перење (видете ТАБЕЛА НА ПРОГРАМИ).
	Произведено е прекумерно количество пена.	Детергентот не е правилно измерен или не е погоден за употреба во машини за миене садови (видете ПОЛНЕЊЕ НА ДИСПЕНЗЕРОТ ЗА ДЕТЕРГЕНТ).
	Капачето на преградата за средство за плакнење не е правилно затворено.	Проверете дали капачето на дозерот за средство за плакнење е затворено.
	Филтерот е извалкан или затнат.	Исчистете го склопот на филтерот (видете ГРИЖА И ОДРЖУВАЊЕ).
	Нема сол.	Наполнете го резервоарот за сол (видете ПОЛНЕЊЕ НА РЕЗЕРВОАРОТ ЗА СОЛ).
Машината за миене садови не ја полни водата. Екранот покажува: H, 6 и Вклучено/Исклучено LED брзо трепка.	Нема вода во доводот за вода или славината е затворена.	Проверете дали има вода во доводот за вода или водоводната славина.
	Доводното црево е свиткано.	Проверете дали доводното црево не е свиткано (видете ИНСТАЛАЦИЈА) репрограмирајте ја машината за миене садови и рестартирајте ја.
	Ситото во цревото за довод на вода е затнато; потребно е да се исчисти	Откако ќе ја извршите проверката и чистењето, исклучете ја и вклучете ја машината за миене садови и рестартирајте нова програма.
Машината за миене садови предвреме го завршува циклусот. Екранот покажува: 15 и Вклучено/Исклучено LED брзо трепка.	Цревото за одводнување е поставено премногу ниско или се влева во домашната канализација.	Проверете дали крајот на одводното црево е поставен на правилна висина (видете ИНСТАЛАЦИЈА).
	Воздух во снабдувањето со вода.	Проверете го доводот на вода за протекување или други проблеми што го пуштаат воздухот внатре.
Истекувањето на детергентот.	Зависи од течниот детергент што се користи и може да се нагласи во случај на активирање на опцијата за одложување.	Малите протекувања нема да предизвикаат дефект на машината и може да се спречат со промена на типот на течен детергент или со користење таблети.

Политики, стандардна документација, нарачка на резервни делови и дополнителни информации за производот може да се најдат со:

- Користење на QR-код
- Посетете ја нашата веб-страница docs.whirlpool.eu/docs и parts-selfservice.europeanappliances.com
- Алтернативно, **контактирајте ја нашата служба за постпродажба** (види телефонски број во гарантната книшка). Кога ја контактирате нашата служба за постпродажба, ве молиме наведете ги шифрите дадени на идентификациската табличка на вашиот производ.

Информациите за моделот може да се вратат со користење на QR-кодот пријавен во енергетската етикета. Етикетата го вклучува и идентификаторот на моделот што може да се користи за да се консултира порталот на регистарот на <https://eprel.ec.europa.eu>.

©/TM/ © 2025 Whirlpool. Се произведува под лиценца.

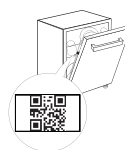


GHID DE REFERINȚĂ PENTRU UTILIZARE ZILNICĂ



VĂ MULȚUMIM CĂ AȚI ACHIZIȚIONAT UN PRODUS WHIRLPOOL.
Pentru a beneficia de servicii complete de asistență, vă rugăm să vă înregistrați aparatul pe: www.whirlpool.eu/register

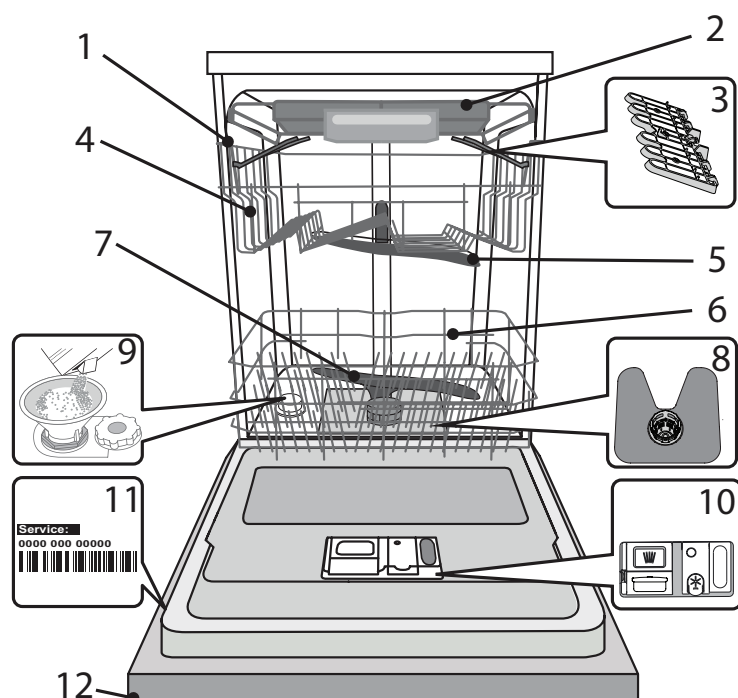
SCANAȚI CODUL QR DE PE APARATUL DUMNEAVOASTRĂ PENTRU A OBȚINE INFORMAȚII MAI DETALIIATE



Înainte de a utiliza aparatul, citiți cu atenție Instrucțiunile de siguranță.

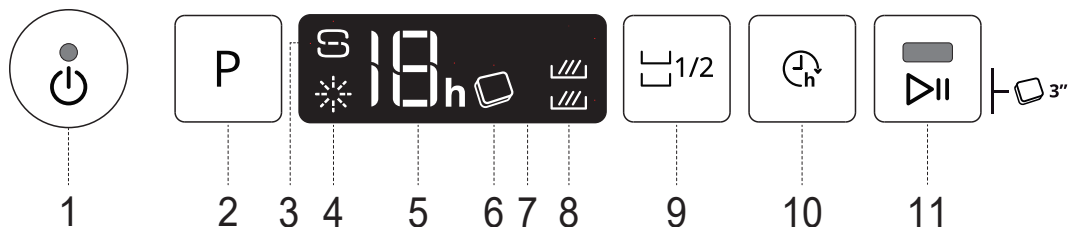
DESCRIEREA PRODUSULUI

APARATUL



1. Coșul superior
2. Coșul pentru tacâmuri
3. Clapete rabatabile
4. Mecanism de reglare a înălțimii raftului superior
5. Brațul de pulverizare superior
6. Coșul inferior
7. Brațul de pulverizare inferior
8. Ansamblu de filtre
9. Compartimentul pentru săruri
10. Dozatoare de detergent și agent de clătire
11. Plăcuța cu datele tehnice
12. Panoul de comandă

PANOUL DE COMANDĂ



1. Buton Pornire/Oprire / Resetare cu indicator luminos
2. Butonul pentru selectarea programelor
3. Indicator luminos de nivel al sărurilor
4. Indicator luminos de nivel al agentului de clătire
5. Numărul programului și indicatorul timpului de întârziere
6. Indicator luminos opțiune Tabletă
7. Afișaj
8. Indicator luminos opțiune Încărcare la jumătate
9. Buton Încărcare la jumătate
10. Buton Întârziere
11. Buton PORNIRE/Pauză cu indicator luminos / Tabletă

PRIMA UTILIZARE SĂRURI, AGENT DE CLĂTIRE ȘI DETERGENT


RECOMANDĂRI PRIVIND PRIMA UTILIZARE

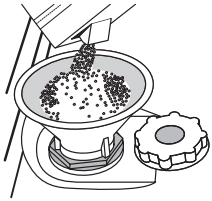
După instalare, demontați opritoarele rafturilor și elementele elastice de fixare a raftului superior.

UMPLEREA COMPARTIMENTULUI PENTRU SĂRURI

Utilizarea sărurilor previne formarea DEPUNERILOR DE CALCAR pe vase și pe componentele funcționale ale mașinii.

- Este obligatoriu ca **COMPARTIMENTUL PENTRU SĂRURI SĂ NU FIE NICIODATĂ GOL.**
- Este important să setați duritatea apei.

Compartimentul pentru săruri se află în partea inferioară a mașinii de spălat vase (*consultați DESCRIEREA PRODUSULUI*) și trebuie să fie umplut când **indicatorul luminos de NIVEL AL SĂRURILOR**  de pe panoul de comandă este aprins.



1. Demontați raftul inferior și desfiletați capacul compartimentului (în sens antiorar).
2. **Nu mai la prima operațiune de acest fel: umpleți compartimentul pentru săruri cu apă.**
3. Poziționați pâlnia (*consultați figura*) și umpleți compartimentul pentru săruri până la margine (aproximativ 1 kg); este perfect normal să curgă puțină apă în afară.
4. Scoateți pâlnia și ștergeți resturile de săruri de pe deschidere.

Asigurați-vă că este înfiletat bine capacul, astfel încât să nu intre detergent în compartiment în timpul programului de spălare (acest lucru poate avea consecințe iremediabile în instalația de dedurizare a apei).

Oricând trebuie să adăugați săruri, este obligatoriu să finalizați procedura înainte de a începe ciclul de spălare pentru a evita coroziunea.

SETAREA DURITĂȚII APEI

Pentru a permite instalației de dedurizare a apei să funcționeze perfect, este esențial ca setarea durității apei să se bazeze pe nivelul de duritate a apei din locuința dumneavoastră. Aceste informații pot fi obținute de la furnizorul local de apă.

Fabricantul setează valoarea implicită pentru duritatea apei.

- Porniți aparatul apăsând pe butonul **PORNIRE/OPRIRE**.
- Opriți aparatul apăsând pe butonul **PORNIRE/OPRIRE**.
- Țineți apăsat butonul **P** timp de 5 secunde, până când auziți un semnal sonor.
- Porniți aparatul apăsând pe butonul **PORNIRE/OPRIRE**.
- Numărul nivelului selectat în mod curent și indicatorul luminos de nivel al sărurilor clipească simultan.
- Apăsați butonul **P** pentru a selecta nivelul de duritate dorit (*consultați TABELUL DURITĂȚII APEI*).

Tabelul durității apei			
Nivel	°dH	°fH	°Clark
	Grade germane	Grade franceze	Grade engleze
1	Moale	0 - 6	0 - 10
2	Medie	7 - 11	11 - 20
3	Normală	12 - 16	21 - 29
4	Dură	17 - 34	30 - 60
5	Foarte dură	35 - 50	61 - 90

- Opriți aparatul apăsând pe butonul **PORNIRE/OPRIRE**.

Setarea este finalizată!

După finalizarea acestei proceduri, rulați un program fără a încărca mașina.

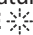
Utilizați numai săruri concepute special pentru mașini de spălat vase.

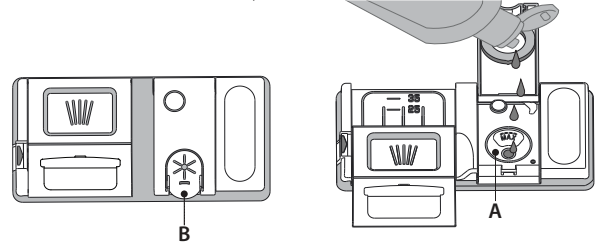
După ce ați introdus sărurile în mașină, indicatorul luminos de nivel al sărurilor se stinge.

Dacă compartimentul pentru săruri nu este umplut, este posibilă deteriorarea instalației de dedurizare a apei și a rezistenței din cauza acumulării depunerilor.

Se recomandă utilizarea sării indiferent de tipul de detergent pentru mașina de spălat vase.

UMPLEREA DOZATORULUI PENTRU AGENT DE CLĂTIRE

Agentul de clătire facilitează uscarea vaselor. Dozatorul pentru agentul de clătire **A** trebuie umplut atunci când **indicatorul luminos de NIVEL AL AGENTULUI DE CLĂTIRE**  de pe panoul de comandă este aprins.



1. Deschideți dozatorul **B** apăsând și trăgând în sus clapeta de pe capac.
2. Introduceți cu grijă agentul de clătire până la marcajul de referință maxim (110 ml) al spațiului de umplere - evitați scurgerile. În caz contrar, curățați imediat folosind o lavetă uscată.
3. Apăsați capacul în jos până când auziți un clic de închidere.

Nu turnați NICIODATĂ agentul de clătire direct în cuvă.

REGLAREA DOZEI DE AGENT DE CLĂTIRE

Dacă nu sunteți pe deplin mulțumit de rezultatele de uscare, puteți regla cantitatea de agent de clătire utilizat.

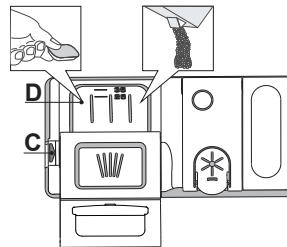
- Porniți mașina de spălat vase folosind butonul **PORNIRE/OPRIRE**.
- Opriți-o folosind butonul **PORNIRE/OPRIRE**.
- Apăsați pe butonul **P** de trei ori - se va auzi un semnal sonor.
- Porniți mașina folosind butonul **PORNIRE/OPRIRE**.
- Numărul nivelului selectat în mod curent și indicatorul luminos de nivel al agentului de clătire clipească.
- Apăsați pe butonul **P** pentru a selecta cantitatea de agent de clătire care trebuie alimentată.
- Opriți mașina folosind butonul **PORNIRE/OPRIRE**.
- Setarea este finalizată!

Dacă nivelul de agent de clătire este setat la ZERO (ECO), nu se va alimenta cu agent de clătire. Indicatorul luminos pentru NIVEL SCĂZUT DE AGENT DE CLĂTIRE nu se va aprinde dacă agentul de clătire este consumat. Pot fi setate maxim 5 niveluri în conformitate cu modelul de mașină de spălat vase. Setarea din fabrică este specifică modelului, vă rugăm să respectați instrucțiunile de mai sus pentru a verifica setarea adecvată pentru mașina dumneavoastră.

- Dacă observați urme de albăstrui pe vase, setați un număr mic (1-2).
- Dacă există urme de apă sau depuneri de calcar pe vase, setați un număr mare (3-4).

UMPLEREA DOZATORULUI DE DETERGENT

Pentru a deschide dozatorul de detergent, folosiți dispozitivul de deschidere C. Introduceți detergent numai în compartimentul uscat D. Introduceți cantitatea de detergent pentru prespălare direct în cuvă.



1. Atunci când măsurați cantitatea de detergent, consultați informațiile menționate anterior pentru a adăuga cantitatea corespunzătoare. În interiorul dozatorului **D** există indicații care vă pot ajuta la dozarea detergentului.
2. Îndepărtați resturile de detergent de pe marginile dozatorului și închideți sonor capacul.
3. Închideți capacul dozatorului de detergent trăgând în sus până când dispozitivul de închidere este fixat în poziție.

Dozatorul de detergent se deschide automat la momentul potrivit, în conformitate cu programul.

Dacă se utilizează detergenți universali, vă recomandăm să folosiți butonul **TABLETĂ**, deoarece reglează programul pentru a se obține întotdeauna rezultate optime de spălare și uscare.

Utilizarea unui detergent care nu este conceput pentru mașinile de spălat vase poate provoca defecțiuni sau deteriorarea mașinii.

TABEL CU PROGRAME

Program	Durate de uscare	Natural-Dry	Opțiuni disponibile *)	Durata programului de spălare (h:min)**	Consum de apă (litri/ciclu)	Consum de energie (kWh/ciclu)
1. Eco ECO 50°	✓	✓		3:10	8,9	0,75
2. Intensiv 65°	✓	✓		2:50	17,0	1,60
3. 6 th Sense® 50-60°	✓	✓		1:25 - 3:00	7,0 - 14,0	0,90 - 1,40
4. Spălare și uscare rapidă 50°	✓	✓		1:25	11,5	1,10
5. Rapidă 30' 50°	✗	✓		0:30	9,0	0,50
6. Silențios 50°	✓	✓		3:30	16,0	1,15
7. Igienizare 65°	✓	✗		1:50	12,0	1,30
8. Prespălare -	✗	✗		0:12	4,5	0,01
9. Autocurățare 65°	✗	✗		0:50	8,0	0,85

Datele programului ECO sunt stabilite în condiții de laborator, în conformitate cu standardul european EN 60436:2020.

Notă pentru laboratoarele de testări: pentru informații privind condițiile testului comparativ EN, trimiteți o solicitare la adresa:

dw_test_support@europeanappliances.com

Nu este necesară tratarea în prealabil a vaselor înaintea oricăruia dintre aceste programe.

*) Nu toate opțiunile pot fi utilizate simultan.

**) Valorile date pentru alte programe diferite de programul Eco sunt doar orientative. Durata actuală poate varia în funcție de o multitudine de factori, cum ar fi temperatura și presiunea apei la intrare, temperatura încăperii, cantitatea de detergent, dimensiunea și tipul încărcăturii, distribuția încărcăturii, opțiunile suplimentare selectate și calibrarea senzorului. Calibrarea senzorului poate mări durata programului cu până la 20 min.

DESCRIEREA PROGRAMELOR

Instrucțiuni privind selectarea ciclului de spălare.

1 ECO

Program Eco este potrivit pentru curățarea tacâmurilor cu un grad mediu de murdărie, fiind cel mai eficient program pentru această utilizare din punct de vedere al consumului combinat de energie și apă și este utilizat pentru a evalua respectarea legislației UE de proiectare ecologică.

2 INTENSIV

Program recomandat pentru vase foarte murdare, adecvat în special pentru tigăi și cratițe (a nu se utiliza în cazul articolelor delicate).

3 6th SENSE®

Pentru vase cu grad normal de murdărie, cu resturi uscate de alimente. Detectează gradul de murdărie a vaselor și adaptează programul în funcție de acesta.

4 SPĂLARE ȘI USCARE RAPIDĂ

Vase normal murdare. Ciclu zilnic, care asigură performanțe de curățare și uscare optime într-un timp mai scurt.

5 RAPIDĂ 30'

Program utilizat pentru mașina încărcată pe jumătate cu vase cu grad redus de murdărie, fără resturi uscate de alimente. Nu are etapă de uscare

6 SILENȚIOS

Program adecvat pentru funcționarea pe timpul nopții a aparatului. Asigură performanțe optime de curățare și uscare cu emisii minime de zgomot.

7 IGIENIZARE

Vase normal murdare sau foarte murdare, cu acțiune antibacteriană suplimentară. Poate fi utilizat pentru efectuarea întreținerii mașinii de spălat vase.

8 PRESPĂLARE

Utilizat pentru a împăspăta vasele care trebuie să fie spălate mai târziu. A nu se utiliza detergent cu acest program.

9 AUTOCURĂȚARE

Utilizați acest program pentru a efectua întreținerea mașinii de spălat vase; a se realiza numai când mașina de spălat vase este GOALĂ, utilizând detergenți special concepuți pentru întreținerea mașinii de spălat vase.

Note:

Vă rugăm să rețineți că ciclul *Rapidă 30'* este destinat vaselor cu un grad redus de murdărie.

OPȚIUNI ȘI FUNCȚII

OPȚIUNILE pot fi selectate direct prin apăsarea pe butonul corespunzător (*consultați PANOUL DE COMANDĂ*).

Dacă o opțiune nu este compatibilă cu programul selectat, consultați TABELUL CU PROGRAME, LED-ul aferent clipește rapid de 3 ori și sunt emise semnale sonore. Opțiunea nu va fi activată.

1/2 ÎNCĂRCAREA PE JUMĂTATE

Dacă nu aveți multe vase de spălat, puteți utiliza un ciclu pentru încărcare la jumătate pentru a economisi apă, energie electrică și detergent. Selectați programul și apăsați pe butonul ÎNCĂRCARE LA JUMĂTATE: indicatorul luminos se va aprinde. Apăsați pe butonul ÎNCĂRCARE LA JUMĂTATE pentru a deselecta această opțiune.

Nu uitați să înjumătățiți cantitatea de detergent.



TABLETĂ

Această setare vă permite să optimizați performanțele programului în funcție de tipul de detergent folosit. Apăsați butonul PORNIRE/PAUZĂ timp de 3 secunde (simbolul corespunzător se va aprinde) în cazul în care utilizați detergenți combinați sub formă de tabletă (agent de clătire, săruri și detergent într-o singură doză).

Dacă folosiți detergent pudră sau lichid, această opțiune trebuie să fie dezactivată.



INTĂRZIERE

Pornirea programului poate fi amânată pentru o perioadă de timp cuprinsă între **1 și 12 ore**.

1. Apăsați pe butonul ÎNTĂRZIERE: pe afișaj apare simbolul corespunzător „h”; la fiecare apăsare pe buton, durata de temporizare (1 h, 2 h etc. până la max. 12 h) până la pornirea ciclului de spălare selectat va crește.
2. Selectați programul de spălare, apăsați pe butonul PORNIRE/PAUZĂ și închideți ușa în decursul a 4 secunde: temporizatorul va începe numărătoarea inversă.
3. După finalizarea perioadei de timp setate, indicatorul luminos „h” se stinge, iar ciclul de spălare începe.

Pentru a regla durata de temporizare și pentru a selecta o perioadă mai scurtă de timp, apăsați pe butonul ÎNTĂRZIERE. Pentru a anula, apăsați în mod repetat pe buton până când indicatorul luminos „h” al duratei de temporizare se stinge.

Funcția ÎNTĂRZIERE nu poate fi setată după pornirea ciclului de spălare.

NaturalDry

NaturalDry este unul de uscare prin convecție, care deschide automat ușa în timpul desfășurării/după desfășurarea etapei de uscare pentru a asigura performanțe excepționale de uscare în fiecare zi.

Ușa se deschide la o temperatură care este sigură pentru mobilierul din bucătăria dvs.

Ca protecție suplimentată împotriva acțiunii aburilor, se poate adăuga și o folie de protecție specială pe mașina de spălat vase. Pentru a afla cum trebuie montată folia de protecție, vă rugăm să consultați GHIDUL DE INSTALARE.

Funcționalitatea *NaturalDry* poate fi dezactivată de către utilizator după cum urmează:

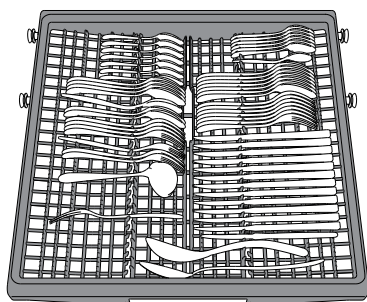
1. Accesați meniul software-ului mașinii de spălat apăsând și menținând apăsat butonul **P** (6 secunde).
2. Comutați în meniul pentru controlul *NaturalDry* pentru a putea modifica starea funcționalității *NaturalDry* apăsând butonul **P**:

E – activat **d** – dezactivat

Pentru a confirma schimbarea și pentru a ieși din meniul de control, vă rugăm să apăsați și să mențineți apăsat butonul **P** (3 secunde).

ÎNCĂRCAREA RAFTURILOR

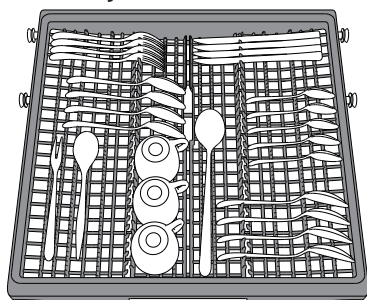
SUPORT PENTRU TACĂMURI



Al treilea raft a fost conceput pentru depozitarea tacămurilor. Aranjați tacămurile conform indicațiilor din figură.

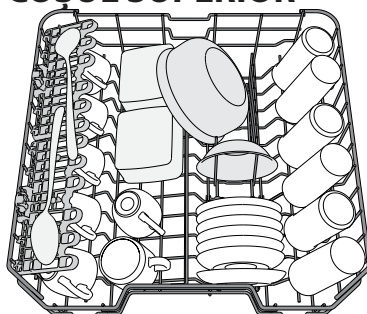
Aranjarea separată a tacămurilor permite scoaterea cu ușurință a acestora după spălare și optimizează performanțele de spălare și uscare.

Cuțitele și alte ustensile cu margini ascuțite trebuie poziționate cu lamele în jos.



Structura raftului face posibilă amplasarea articolelor de dimensiuni mici, cum ar fi ceștile de cafea, în zona din mijloc.

COȘUL SUPERIOR



(exemplu de încărcare pentru raftul superior)

Încărcați vasele delicate și ușoare: pahare, cești, farfurioare, boluri pentru salată puțin adânci.

REGLAREA ÎNĂLȚIMII RAFTULUI SUPERIOR

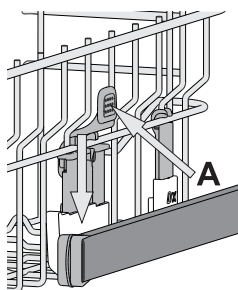
Înălțimea raftului superior poate fi reglată: în poziție înaltă pentru a introduce vesela voluminoasă pe raftul inferior și în poziție joasă pentru a profita din plin de suporturile rabatabile, creând mai mult spațiu în partea superioară și evitând ciocnirea cu articolele de pe raftul inferior.

Raftul superior este prevăzut cu un **mecanism de reglare a înălțimii raftului superior** (consultați figura); fără a apăsa pe manete, ridicați în sus ținând pur și simplu de părțile laterale ale raftului, și fixați imediat ce raftul este stabil în poziția de sus.

Pentru a reveni în poziția inferioară, apăsați pe manetele **A** din părțile laterale ale raftului și deplasați-l în jos.

Vă recomandăm cu insistență să nu reglați înălțimea raftului atunci când acesta este încărcat.

Nu ridicați și nu coborâți NICIODATĂ raftul numai pe o singură parte.



CLAPETE RABATABILE CU POZIȚIE REGLABILĂ

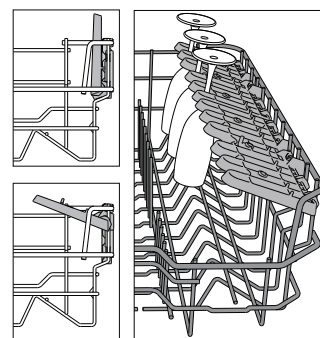
Clapetele rabatabile laterale pot fi pliate sau depliate pentru a optimiza aranjarea veselei pe raft.

Paharele pentru vin pot fi așezate în siguranță pe clapetele rabatabile, introducând picioarele acestora în fanțele corespunzătoare.

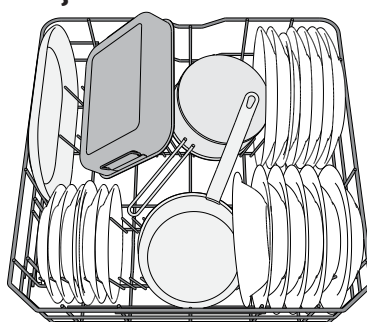
În funcție de model:

- pentru a deplia clapetele, este necesar să le glisați în sus și să le rotiți sau să le eliberați din clemele de fixare, trăgându-le în jos.

- pentru a plia clapetele, este necesar să le rotiți și să le glisați în jos sau să le trageți în sus și să le fixați pe poziție.



COȘUL INFERIOR



(exemplu de încărcare pentru raftul inferior)

Pentru oale, capace, farfurii, boluri pentru salată, tacămuri etc. În mod ideal, farfuriile și capacele mari trebuie amplasate în părțile laterale, pentru a se evita interferențele cu brațul de pulverizare.

UTILIZAREA ZILNICĂ

1. VERIFICAREA RACORDĂRII LA REȚEAUA DE ALIMENTARE CU APĂ

Verificați ca mașina de spălat vase să fie racordată la rețeaua de alimentare cu apă și ca robinetul să fie deschis.

2. PORNIREA MAȘINII DE SPĂLAT VASE

Deschideți ușa și apăsați pe butonul de **PORNIRE/OPRIRE**.

3. ÎNCĂRCAREA RAFTURILOR (consultați ÎNCĂRCAREA RAFTURILOR).

4. UMPLEAREA DOZATORULUI DE DETERGENT

5. SELECTAREA PROGRAMULUI ȘI PERSONALIZAREA CICLULUI

Selectați cel mai adecvat program în conformitate cu tipul de veselă și gradul de murdărie al acesteia (consultați *DESCRIEREA PROGRAMELOR*) apăsând pe butonul **P**.

Selectați opțiunile dorite (consultați *OPȚIUNI ȘI FUNCȚII*).

6. PORNIREA

Porniți ciclul de spălare prin apăsarea butonului **PORNIRE/Pauză** (LED aprins) și închideți ușa în decursul a 4 secunde. La pornirea programului, se aude un singur semnal sonor. Dacă ușa nu este închisă în decursul a 4 secunde, se aude sunetul de alarmă.

În acest caz, deschideți ușa, apăsați pe butonul **PORNIRE/Pauză** și închideți ușa în decursul a 4 secunde.

7. TERMINAREA CICLULUI DE SPĂLARE

Terminarea ciclului de spălare este indicată de semnalele sonore și de clipirea numărului ciclului de spălare pe afișaj. Deschideți ușa și opriți aparatul apăsând pe butonul **PORNIRE/OPRIRE**.

Așteptați câteva minute înainte de a scoate vesela pentru a evita producerea arsurilor. Descărcați rafturile, începând cu cel inferior.

Mașina se va opri automat în timpul anumitor perioade prelungite de inactivitate, pentru a reduce consumul de electricitate.

Dacă vasele prezintă un grad redus de murdărie sau dacă au fost clătite cu apă înainte de a le introduce în mașina de spălat vase, reduceți în mod corespunzător cantitatea de detergent utilizat.

MODIFICAREA UNUI PROGRAM CARE RULEAZĂ

Dacă a fost selectat un program greșit, îl puteți schimba, cu condiția ca acesta abia să fi început: deschideți ușa, apăsați și mențineți apăsat butonul de **PORNIRE/OPRIRE** și mașina se va opri. Reporniți mașina folosind butonul de **PORNIRE/OPRIRE** și selectați noul ciclu de spălare, precum și opțiunile dorite; porniți ciclul apăsând pe butonul **PORNIRE/Pauză** și închizând ușa în decursul a 4 secunde.

ADĂUGAREA DE VASE SUPLIMENTARE

Fără a opri mașina, deschideți ușa (LED-ul pentru **PORNIRE/Pauză** începe să clipească) (**atenție la aburii FIERBINȚII!**) și introduceți vasele în mașină. Apăsați pe butonul **PORNIRE/Pauză** și închideți ușa în decursul a 4 secunde; ciclul va fi reluat din punctul în care a fost întrerupt.

ÎNTRERUPERI ACCIDENTALE

Dacă ușa este deschisă în timpul ciclului de spălare sau dacă s-a produs o pană de curent, ciclul se oprește. Pentru a relua ciclul din punctul în care a fost întrerupt, apăsați pe butonul **PORNIRE/Pauză** și închideți ușa în decursul a 4 secunde.

SFATURI ȘI RECOMANDĂRI

RECOMANDĂRI

Înainte de a încărca rafturile, eliminați toate resturile de alimente de pe vase și goliți paharele. **Nu este necesar să le clătiți în prealabil sub jet de apă curentă.**

Aranjați vesela astfel încât să fie bine poziționată și să nu se răstoarne; de asemenea, aranjați recipientele cu deschiderile în jos și așezați înclinat articolele concave/convexe, pentru a permite apei să ajungă pe orice suprafață și să curgă liber.

Avertisment: capacele, mânerele, tăvile și tigăile nu trebuie să împiedice rotirea brațelor de pulverizare.

Amplasați articolele mici în coșul pentru tacâmuri. Vasele și cratițele foarte murdare trebuie așezate pe raftul inferior deoarece în această zonă jeturile de apă sunt mai puternice și se înregistrează performanțe mai mari de spălare. După încărcarea aparatului, asigurați-vă că brațele de pulverizare se pot roti liber.

VESELĂ NECORESPUNZĂTOARE PENTRU SPĂLAREA ÎN MAȘINĂ

- Veselă și tacâmuri din lemn.
- Pahare cu decorațiuni delicate, veselă artizanală și veselă antică. Aceste decorațiuni nu sunt rezistente la spălarea în mașina de spălat vase.
- Articole din material sintetic care nu sunt rezistente la temperaturi ridicate.
- Veselă din cupru și cositor.
- Veselă murdară de cenușă, ceară, unsoare sau cerneală.

Culorile decorațiunilor de pe articolele din sticlă și ale articolelor din aluminiu/argint se pot modifica și pot albi în timpul procesului de spălare. Unele tipuri de articole din sticlă (de exemplu, obiecte de cristal) pot deveni opace după câteva cicluri de spălare.

DETERIORAREA PAHARELOR ȘI A VESELEI

- Utilizați numai pahare și veselă din porțelan marcate de către producător ca fiind rezistente la spălarea în mașină.
- Utilizați un detergent delicat pentru veselă
- Scoateți paharele și vesela din mașina de spălat vase imediat ce ciclul de spălare este finalizat.

RECOMANDĂRI PRIVIND ECONOMISIREA DE ENERGIE

- Atunci când mașina de spălat vase este folosită conform instrucțiunilor producătorului, **spălarea tacâmurilor într-o mașină de spălat vase consumă de obicei MAI PUȚINĂ ENERGIE și apă decât spălarea manuală.**
- Pentru a crește la maximum eficiența mașinii de spălat vase, se recomandă **inițierea ciclului de spălare după ce mașina este încărcată complet.** Încărcarea mașinii de spălat vase de uz domestic până la capacitatea indicată de producător va contribui la economii de energie și apă. Informații despre încărcarea corectă a vaselor pot fi găsite în capitolul ÎNCĂRCAREA RAFTURILOR. În cazul încărcării parțiale, se recomandă utilizarea opțiunilor de spălare dedicate, dacă sunt disponibile (Half load/ Zone Wash/ Multizone), adăugând vase doar pe rafturile selectate. Încărcarea incorectă sau supraîncărcarea mașinii de spălat vase poate crește utilizarea resurselor (cum ar fi apa, energia și timpul, precum și nivelul de zgomot), reducând performanțele de curățare și uscare.
- Pre-clătirea manuală a vaselor duce la creșterea consumului de apă și energie și nu este recomandată.

IGIENĂ

Pentru a evita acumularea mirosurilor neplăcute și a sedimentelor în mașina de spălat vase, **vă rugăm să rulați un program de temperatură ridicată cel puțin o dată pe lună.** Folosiți o măsură de detergent și rulați un program fără a încărca vase pentru a curăța aparatul.

CURĂȚAREA ȘI ÎNTREȚINEREA

CURĂȚAREA ANSAMBLULUI DE FILTRE

Curățați în mod regulat ansamblul de filtre astfel încât filtrele să nu se înfunde și apa reziduală să fie evacuată în mod corespunzător.

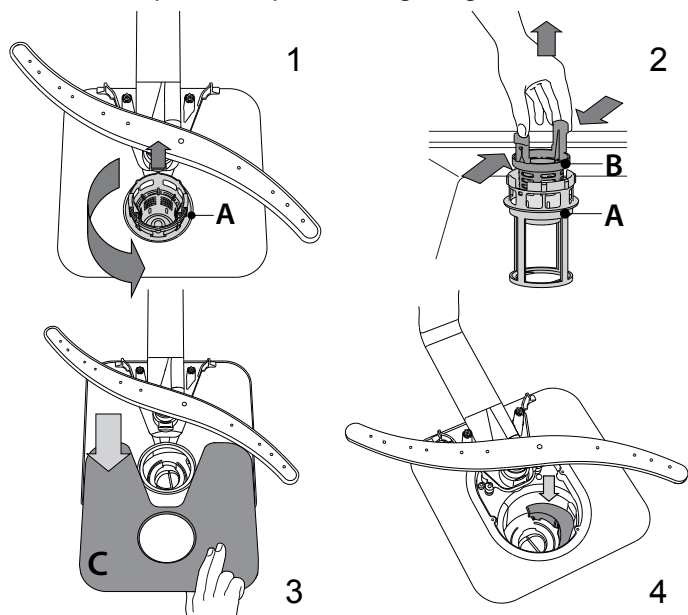
Utilizarea mașinii de spălat vase cu filtre înfundate sau obiecte străine în interiorul sistemului de filtrare sau al brațelor de pulverizare poate provoca defecțiuni ale unității, conducând la scăderea performanței, creșterea nivelului de zgomot sau utilizarea mai multor resurse.

Ansamblul de filtre este alcătuit din trei filtre care îndepărtează resturile de alimente din apa de spălare, permițând apoi recircularea acesteia.

Mașina de spălat vase nu trebuie utilizată fără filtre sau dacă un filtru este desprins.

Cel puțin o dată pe lună sau după fiecare 30 de cicluri, verificați ansamblul de filtre și, dacă este necesar, curățați-l temeinic sub jet de apă curentă, folosind o perie nemetalică și respectând instrucțiunile de mai jos:

1. Rotiți filtrul cilindric **A** în sens antiorar și scoateți-l afară (Fig 1).
2. Demontați filtrul în formă de ceașcă **B** apăsând ușor pe clapetele laterale (Fig 2).
3. Culisați în afară placa din oțel inoxidabil a filtrului **C** (Fig 3).
4. În cazul în care găsiți obiecte străine (cum ar fi sticlă spartă, porțelan, oase, semințe de fructe etc.), vă rugăm să le îndepărtați cu atenție.
5. Examinați obturațiile și îndepărtați resturile de alimente.
NU DEMONTAȚI NICIODATĂ protecția pompei acționate în timpul ciclului de spălare (componentă neagră) (Fig 4).



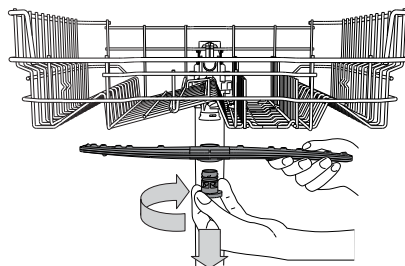
După curățarea filtrelor, montați la loc ansamblul de filtre și fixați-l în poziția corectă; acest lucru este esențial pentru menținerea funcționării eficiente a mașinii de spălat vase.

CURĂȚAREA FURTUNULUI DE ALIMENTARE CU APĂ

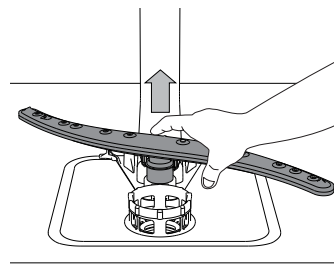
Dacă furtunurile pentru apă sunt noi sau dacă nu au fost utilizate o perioadă lungă de timp, lăsați apa să curgă pentru a vă asigura că acestea sunt curate și că nu prezintă impurități înainte de a efectua conexiunile necesare. Dacă nu luați măsurile de precauție necesare, furtunul de alimentare cu apă se poate bloca și poate deteriora mașina de spălat vase.

CURĂȚAREA BRAȚELOR DE PULVERIZARE

Ocazional, resturile de alimente se pot usca pe brațele de pulverizare și pot bloca orificiile de pulverizare a apei. Prin urmare, se recomandă să verificați brațele din când în când și să le curățați folosind o perie nemetalică mică.



Pentru a demonta brațul de pulverizare superior, rotiți inelul de fixare din plastic în sens orar. Brațul de pulverizare superior trebuie introdus astfel încât partea cu cele mai multe orificii să fie îndreptată în sus.



Brațul de pulverizare inferior poate fi demontat prin tragerea în sus.

SISTEMUL DE DEDURIZARE A APEI

Sistemul de dedurizare a apei reduce automat duritatea apei, împiedicând astfel acumularea de depuneri pe încălzitor și contribuind, de asemenea, la creșterea eficienței de curățare.

Acest sistem se regenerează singur cu sare, de aceea este necesar să reumpleți recipientul pentru sare când este gol.

Frecvența regenerării depinde de setarea nivelului durității apei - regenerarea are loc odată la **6** cicluri Eco cu nivelul durității apei setat la **3**. Procesul de regenerare începe la clătirea finală și se termină în faza de uscare, înainte de terminarea ciclului.

- Procesul de regenerare implică următorul consum: ~3.5 L de apă;
- Adaugă până la 5 minute suplimentare pe ciclu;
- Consumul de energie este sub 0,005 kWh.

REMEDIEREA PROBLEMELOR

În cazul în care mașina de spălat vase nu funcționează corect, verificați dacă problema poate fi remediată parcurgând lista de mai jos. Pentru alte erori sau probleme, vă rugăm să contactați serviciul de asistență tehnică post-vânzare autorizat, ale cărui date de contact pot fi găsite în certificatul de garanție. Piesele de schimb vor fi disponibile pentru o perioadă de până la 7 sau până la 10 ani, în conformitate cu cerințele normelor specifice.

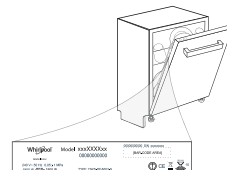
PROBLEME	CAUZE POSIBILE	SOLUȚII
Indicatorul de sare este aprins	Rezervorul de sare este gol. (După reumplere, indicatorul pentru sare poate rămâne aprins pe durata mai multor cicluri de spălare).	Reumpleți rezervorul cu sare (pentru mai multe informații - vezi pagina 2). Corectați nivelul de duritate a apei - vezi tabelul de la pagina 2.
Indicatorul agentului de clătire este aprins	Dozatorul pentru agentul de clătire este gol. (După reumplere, indicatorul agentului de clătire poate rămâne aprins pe durata mai multor cicluri de spălare).	Reumpleți dozatorul cu agent de clătire (pentru mai multe informații - vezi pagina 2).
Mașina de spălat vase nu pornește sau nu răspunde la comenzi.	Aparatul nu a fost conectat la priză în mod corespunzător.	Introduceți ștecherul în priză.
	Pană de curent.	Din motive de siguranță, mașina de spălat vase nu va reporni automat la restabilirea alimentării cu energie. Deschideți ușa mașinii de spălat vase, apăsați butonul PORNIRE/Pauză și închideți ușa în 4 secunde.
	Ușa mașinii de spălat vase nu este închisă. Știftul <i>NaturalDry</i> nu este tras.	Împingeți ferm ușa până când auziți un „clic”.
	Ciclul este întrerupt prin deschiderea ușii timp de > 4 secunde.	Apăsați butonul PORNIRE/Pauză și închideți ușa în decurs de 4 secunde.
	Aparatul nu răspunde la comenzi. Pe afișaj apare: 9 sau 12 și LED-ul de PORNIRE/OPRIRE clipește rapid.	Opriți aparatul apăsând pe butonul PORNIRE/OPRIRE, reporniți-l după aproximativ un minut și reporniți programul. Dacă problema persistă, deconectați aparatul timp de 1 minut, apoi conectați-o din nou.
Mașina de spălat vase nu evacuează apa. Pe afișaj apare: 3 și LED-ul de PORNIRE/OPRIRE clipește rapid.	Încă nu s-a terminat ciclul de spălare.	Așteptați finalizarea ciclului de spălare.
	Furtunul de evacuare este îndoit.	Asigurați-vă că furtunul de evacuare nu este îndoit (<i>consultați INSTRUCȚIUNILE DE INSTALARE</i>).
	Conducta de evacuare a chiuvetei este blocată.	Curățați conducta de evacuare a chiuvetei.
	Filtrul este infundat cu resturi de alimente	Curățați filtrul (<i>consultați CURĂȚAREA ANSAMBLULUI DE FILTRE</i>).
Mașina de spălat vase produce zgomot excesiv.	Vasele se lovesc unele de celelalte.	Aranjați corect vesela (<i>consultați ÎNCĂRCAREA RAFTURILOR</i>).
	S-a produs o cantitate excesivă de spumă.	Detergentul nu a fost măsurat corect sau nu este adecvat pentru utilizare în mașini de spălat vase (<i>consultați UMPLEREA DOZATORULUI DE DETERGENT</i>). Reporniți ciclul curent prin oprirea mașinii de spălat vase, apoi reporniți-o, selectați un program nou, apăsați butonul PORNIRE/Pauză și închideți ușa în decurs de 4 secunde. Vă rugăm să nu mai adăugați detergent.
Vasele nu sunt curate.	Vesela nu a fost aranjată corespunzător.	Aranjați corect vesela (<i>consultați ÎNCĂRCAREA RAFTURILOR</i>).
	Brațele de pulverizare nu se pot roti liber, acestea fiind împiedicate de vase.	Aranjați corect vesela (<i>consultați ÎNCĂRCAREA RAFTURILOR</i>).
	Ciclul de spălare este prea lejer.	Selectați un ciclu de spălare corespunzător (<i>consultați TABELUL CU PROGRAME</i>).
	S-a produs o cantitate excesivă de spumă.	Detergentul nu a fost măsurat corect sau nu este adecvat pentru utilizare în mașini de spălat vase (<i>consultați UMPLEREA DOZATORULUI DE DETERGENT</i>).
	Capacul compartimentului pentru agent de clătire nu a fost închis corect.	Asigurați-vă că este închis capacul dozatorului pentru agent de clătire.
	Filtrul este murdar sau infundat.	Curățați ansamblul de filtre (<i>consultați secțiunea ÎNGRIJIRE ȘI ÎNTREȚINERE</i>).
Mașina de spălat vase nu încarcă apă. Pe afișaj apare: H , 6 și LED-ul de PORNIRE/OPRIRE clipește rapid.	Lipsește sărurile.	Umpleți compartimentul pentru săruri (<i>consultați UMPLEREA COMPARTIMENTULUI PENTRU SĂRURI</i>).
	Nu există apă în rețeaua de alimentare sau robinetul este închis.	Asigurați-vă că există apă în rețeaua de alimentare sau că robinetul este deschis.
	Furtunul de alimentare este îndoit.	Asigurați-vă că furtunul de alimentare nu este îndoit (<i>consultați INSTALARE</i>), reprogramați mașina de spălat vase și reporniți-o.
Mașina de spălat vase termină ciclul prematur. Pe afișaj apare: 15 și LED-ul de PORNIRE/OPRIRE clipește rapid.	Sita furtunului de alimentare cu apă este infundată; aceasta necesită curățare.	După efectuarea controalelor și a curățării, opriți și porniți mașina de spălat vase, iar apoi rulați un program nou.
	Furtunul de evacuare este poziționat prea jos sau evacuează în sistemul de canalizare local.	Verificați dacă furtunul de evacuare este așezat la înălțimea corectă (<i>consultați secțiunea INSTALARE</i>). Verificați dacă evacuarea are loc în sistemul de canalizare local, instalați supapa de admisie a aerului, dacă este necesar.
Scurgerea de detergent.	Aer în rețeaua de alimentare cu apă.	Verificați alimentarea cu apă pentru a vă asigura că nu există scurgeri sau alte probleme care lasă aerul să pătrundă în interior.
	Depinde de detergentul lichid utilizat și poate fi accentuată în cazul opțiunii de întârziere activate.	Scurgerile mici nu vor cauza defectarea mașinii și pot fi evitate schimbând tipul de detergent lichid sau folosind tablete.

Puteți găsi politicile, documentația standard, informațiile despre comandarea pieselor de schimb și informațiile suplimentare despre produs:

- Utilizarea codului QR de pe produsul dumneavoastră.
- Vizitând site-urile noastre web docs.whirlpool.eu/docs și parts-selfservice.europeanappliances.com
- Ca alternativă, **contactați serviciul nostru de asistență tehnică post-vânzare** (consultați numărul de telefon din certificatul de garanție). Când contactați serviciul nostru de asistență tehnică post-vânzare, vă rugăm să precizați codurile specificate pe plăcuța cu date de identificare a produsului dumneavoastră.

Informațiile modelului pot fi accesate folosind codul QR indicat pe eticheta energetică. Eticheta include, de asemenea, identificatorul de model care poate fi utilizat pentru a consulta portalul de înregistrare la <https://eprel.ec.europa.eu>.

®/TM/ © 2025 Whirlpool. Produs sub licență.

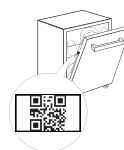


NAVODILA ZA ODPRAVLJANJE TEŽAV



HVALA, KER STE KUPILI IZDELEK ZNAMKE WHIRLPOOL.
Za popolno podporo aparat registrirajte na spletni strani:
www.whirlpool.eu/register

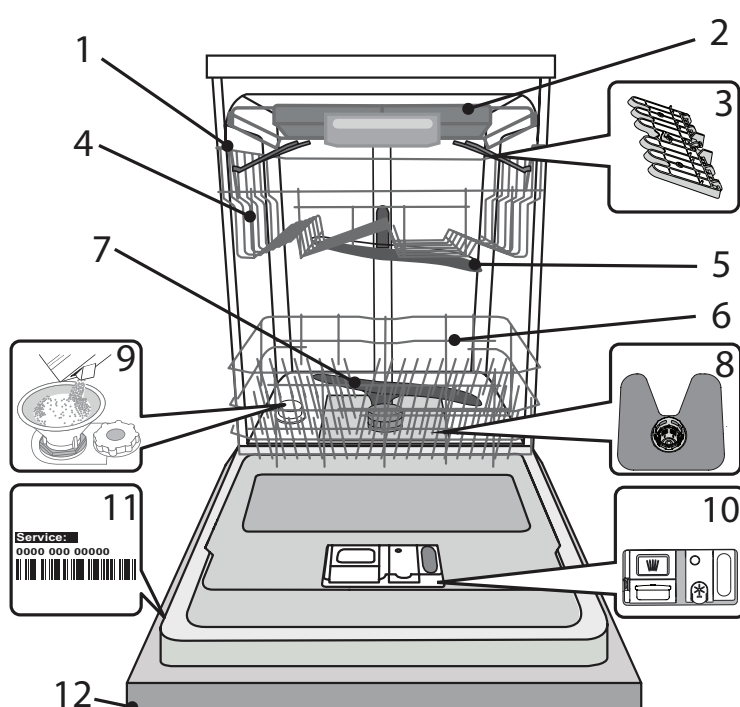
ZA PODROBNEJŠE INFORMACIJE
POSKENIRAJTE KODO QR NA
NAPRAVI



! Pred uporabo aparata pozorno preberite Varnostna navodila.

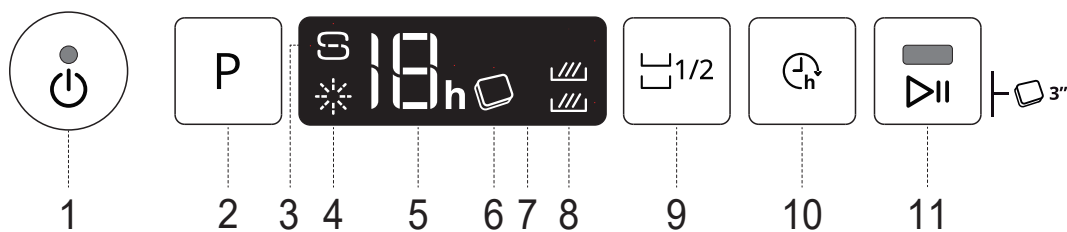
OPIS IZDELKA

APARAT



1. Zgornja košara
2. Košara za pribor
3. Zložljiva polička
4. Regulator višine zgornje košare
5. Zgornja pršilna roka
6. Spodnja košara
7. Spodnja pršilna roka
8. Filtrirni sklop
9. Posoda za sol
10. Prekat za pomivalno sredstvo in posoda za tekočino za lesk
11. Napisna ploščica
12. Upravljalna plošča

UPRAVLJALNA PLOŠČA



1. Tipka za vklop/izklop/ponastavitev s signalno lučko
2. Tipka za izbiro programa
3. Signalna lučka za nizko raven soli
4. Signalna lučka za nizko raven tekočine za lesk
5. Številka programa in prikaz zamika vklopa
6. Signalna lučka za Tablete
7. Zaslona
8. Signalna lučka za Polovično Polnjenje
9. Tipka za Polovično Polnjenje
10. Tipka za zamik vklopa
11. Tipka za ZAGON/Premor s signalno lučko/ Tableta

PRVA UPORABA

SOL, TEKOČINA ZA LESK IN POMIVALNO SREDSTVO

NASVETI ZA PRVO UPORABO

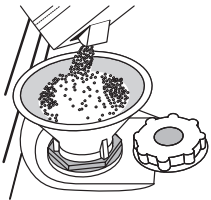
Po namestitvi iz košar odstranite varovala in pritrtilne elastike iz zgornje košare.

POLNJENJE POSODE ZA SOL

Uporaba soli preprečuje nastajanje VODNEGA KAMNA na posodi in na delujočih komponentah aparata.

- Obvezno je, da **POSODA ZA SOL NI NIKOLI PRAZNA**.
- Trdoto vode je treba obvezno nastaviti.

Posoda za sol je nameščena na spodnji strani pomivalnega stroja (glejte OPIS IZDELKA). Morate jo napolniti, kadar na nadzorni plošči sveti indikatorna lučka za **POLNJENJE SOLI**.



1. Izvzemite spodnjo košaro in odvijte pokrovček posode (v nasprotni smeri urnega kazalca).
2. **Samo ob prvi uporabi: posodo za sol napolnite z vodo.**
3. Namestite lijak (glejte sliko) in posodo za sol napolnite do roba (približno 1 kg); nič nenačnega ni, če pri tem iz posode izteče nekaj vode.
4. Odstranite lijak in obrišite ostanke soli okrog odprtine.

Pokrovček mora biti trdno pravit, da pomivalno sredstvo med pomivanjem ne more prodreti v posodo (to bi lahko sistem za mehčanje vode nepopravljivo poškodovalo).

Ko je treba dodati sol, morate postopek obvezno zaključiti pred začetkom pralnega cikla, da preprečite korozijo.

NASTAVITEV TRDOTE VODE

Za brezhibno delovanje sistema za mehčanje vode je ključnega pomena, da nastavev trdote vode ustreza dejanskim vrednostim trdote vode v vašem domu. Te vrednosti so vam na voljo pri krajevnem vodovodnem podjetju.

Privzeta vrednost trdote vode je nastavljena tovarniško.

- S pritiskom na tipko za **VKLOP/IZKLOP** vklopite aparat.
- S pritiskom na tipko za **VKLOP/IZKLOP** izklopite aparat.
- 5 sekund držite tipko za **P**, da zaslišite zvočni signal.
- S pritiskom na tipko za **VKLOP/IZKLOP** vklopite aparat.
- Številka trenutno izbrane stopnje in signalna lučka za nizko raven soli utripata.
- Pritisnite tipko **P** za izbiro zelene ravni trdote (glejte RAZPREDELNICO ZA TRDOTO VODE).

Tabela trdote vode				
Stopnja		°dH Nemške stopinje	°fH Francoske stopinje	°Clark Angleške stopinje
1	Mehka	0 - 6	0 - 10	0 - 7
2	Srednja	7 - 11	11 - 20	8 - 14
3	Povprečna	12 - 16	21 - 29	15 - 20
4	Trda	17 - 34	30 - 60	21 - 42
5	Zelo trda	35 - 50	61 - 90	43 - 62

- S pritiskom na tipko za **VKLOP/IZKLOP** izklopite aparat.

Nastavev je končana!

Ko to storite, zaženite program brez posode.

Uporabite sol, ki je bila zasnovana posebej za pomivalne stroje.

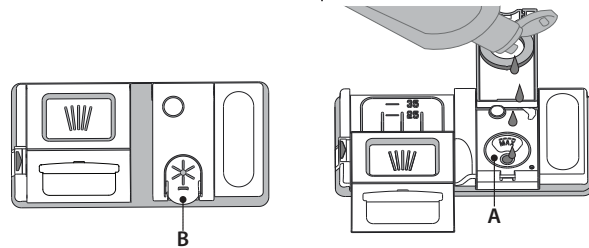
Ko dodate sol, signalna lučka za NIZKO RAVEN SOLI ugasne.

Če posoda za sol ni napolnjena, se lahko sistem za mehčanje vode in grelnik poškodujeta zaradi nabiranja vodnega kamna.

Uporaba soli je priporočljiva s katero koli vrsto sredstva za pomivanje posode.

POLNJENJE POSODE ZA TEKOČINO ZA LESK

Teočina za lesk olajša SUŠENJE posode. Posodo za teočino za lesk **A** je treba napolniti, ko na upravljalni plošči zasveti **signalna lučka za NIZKO RAVEN TEKOČINE ZA LESK**.



1. Posodo **B** odprete tako, da pritisnete na jeziček na pokrovčku in ga povlečete.
2. Teočino za lesk previdno nalijte do oznake za maksimum (110 ml), pri čemer pazite, da teočine ne polivate. Če se to vseeno zgodi, razlito teočino nemudoma pobrišite s suho krpo.
3. Pritisnite na pokrovček, da se slišno zaskoči.

Teočine za lesk NE nalivajte neposredno v kad.

NASTAVITEV ODMERJANJA TEKOČINE ZA LESK

Če rezultati sušenja niso popolnoma zadovoljivi, lahko spremenite količino uporabljene teočine za lesk.

- Vključite pomivalni stroj s tipko za **VKLOP/IZKLOP**.
- Aparat izklopite s tipko za **VKLOP/IZKLOP**.
- Trikrat pritisnite tipko **P** – zasliši se zvočni signal.
- Aparat vklopite s tipko za **VKLOP/IZKLOP**.
- Številka trenutno izbrane ravni in signalna lučka teočine za lesk utripata.
- Pritisnite tipko **P**, da izberete količino dovajanja teočine za lesk.
- Aparat izklopite s tipko za **VKLOP/IZKLOP**.

Nastavev je končana!

Če je raven teočine za lesk nastavljena na NIČ (EKO), aparat ne bo dovajal teočine za lesk. Signalna lučka za NIZKO RAVEN TEKOČINE ZA LESK ne bo zasvetila, če teočine za lesk zmanjka.

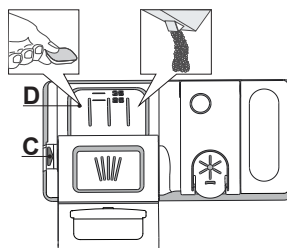
Glede na model pomivalnega stroja je mogoče nastaviti največ 5 stopnje. Tovarniška namestitev je odvisna od modela. Pri svojem aparatu jo preverite, tako da sledite zgornjim navodilom.

- Če so na posodi modre črte, nastavite nižjo vrednost (1-2).
- Če so na posodi sledi vodnih kapljic ali vodnega kamna, nastavite višjo vrednost (3-4).

POLNJENJE PREKATA ZA POMIVALNO SREDSTVO

Da odprete prekat za pomivalno sredstvo, uporabite odpiralo.

Pomivalno sredstvo dodajte samo v suh prekat D. Količino pomivalnega sredstva za predpomivanje odmerite neposredno v kad.



1. Pri odmerjanju pomivalnega sredstva glejte prej omenjene podatke, da boste odmerili ustrezno količino. V prekату **D** so označbe za pomoč pri doziranju pomivalnega sredstva.
2. Odstranite ostanke pomivalnega sredstva z robov prekata in zaprite pokrovček tako, da se slišno zaskoči.
3. Zaprite pokrovček prekata za pomivalno sredstvo tako, da ga potiskate navzgor, dokler zapiralo ni na svojem mestu.

Prekat za pomivalno sredstvo se ob pravem času glede na dani program samodejno odpre.

Če uporabljate detergente „vse v enem“, priporočamo uporabo tipke za **TABLETE**, ki program nastavi tako, da so zagotovljeni najboljši rezultati pomivanja in sušenja.

Uporaba pralnega sredstva, ki ni namenjen strojnemu pomivanju, lahko povzroči nepravilno delovanje ali aparat poškoduje.

PROGRAMSKA TABELA

Program	Faza sušenja	NaturalDry	Razpoložljive možnosti *)	Trajanje pomivanja (h:min)**)	Poraba vode (litri/pranje)	Poraba energije (kWh/pranje)
1. Eko ECO 50°	✓	✓		3:10	8,9	0,75
2. Intenzivno	✓	✓		2:50	17,0	1,60
3. 6 th Sense®	✓	✓		1:25 - 3:00	7,0 - 14,0	0,90 - 1,40
4. Hitro pranje in sušenje	✓	✓		1:25	11,5	1,10
5. Hitro 30'	✗	✓		0:30	9,0	0,50
6. Tiho	✓	✓		3:30	16,0	1,15
7. Dezinfekcija	✓	✗		1:50	12,0	1,30
8. Predpomivanje	✗	✗		0:12	4,5	0,01
9. Samočiščenje	✗	✗		0:50	8,0	0,85

Meritve podatkov za program ECO so bile izvedene v laboratorijskih pogojih v skladu z evropskim standardom EN 60436:2020
Opozorilo za preizkusne laboratorije: za informacije o pogojih izvajanja primerjalnega preizkusa EN pišite na naslednji elektronski naslov: dw_test_support@europeanappliances.com.

Predhodna obdelava posode ni potrebna pri nobenem programu.

*) Vseh možnosti ni mogoče uporabljati istočasno.

***) Vrednosti, podane za druge programe, razen za program Eco, so samo okvirne. Dejanski čas je odvisen od številnih faktorjev, kot so temperatura in tlak dovodne vode, sobna temperatura, količina pomivalnega sredstva, količina in vrsta posode, uravnotežena porazdelitev posode, dodatne izbrane možnosti in umerjanje senzorja. Umerjanje senzorja lahko program podaljša do 20 min.

OPISI PROGRAMOV

Navodila za izbiro programov pomivanja.

1 EKO

Program Eko je primeren za pomivanje običajno umazane posode, saj je za to uporabo najučinkovitejši program z vidika kombinirane porabe energije in vode, poleg tega pa izpolnjuje skladnost z zakonodajo EU o okoljsko primerni zasnovi.

2 INTENZIVNO

Program priporočamo za pomivanje zelo umazane posode. Še posebej primeren je za lonce in ponve (ne uporabljajte ga za občutljivo posodo).

3 6th SENSE®

Za običajno umazano posodo z zasušeni ostanki hrane. Senzor zazna raven umazanije posode in ustrezno prilagodi program.

4 HITRO PRANJE IN SUŠENJE

Običajno umazana posoda. Vsakodnevno pomivanje in sušenje, ki v krajšem času zagotovi optimalne rezultate.

5 HITRO 30'

Program, ki se uporablja za polovično napolnjen pomivalni stroj in je namenjen pomivanju rahlo umazane posode brez posušeni ostankov hrane. Brez faze sušenja.

6 TIHO

Primeren za nočno delovanje aparata. Zagotavlja optimalne rezultate čiščenja in sušenja s kar najbolj tihim delovanjem.

7 DEZINFEKCIJA

Za pomivanje običajno ali zelo umazane posode z dodatnim antibakterijskim pomivanjem. Lahko se ga uporabi tudi za vzdrževanje pomivalnega stroja.

8 PREDPOMIVANJE

Za predpomivanje posode, ki jo boste pomili pozneje. Za ta program pomivalno sredstvo ni potrebno.

9 SAMOČIŠČENJE

Program za vzdrževanje pomivalnega stroja. Uporabljajte ga samo, kadar je pomivalni stroj prazen, in sicer z namenskim sredstvi za vzdrževanje pomivalnih strojev.

Opombe:

Upoštevajte, da je cikel *Hitro 30'* namenjen pomivanju rahlo umazane posode.

MOŽNOSTI IN FUNKCIJE

MOŽNOSTI je mogoče neposredno izbrati s pritiskom na ustrezno tipko (glejte NADZORNO PLOŠČO).

Če določena možnost ni združljiva z izbranim programom glejte PROGRAMSKO TABELO, pripadajoča LED-lučka trikrat utripne in zasliši se zvočni signal. Možnost ne bo omogočena.

POLOVIČNO POLNENJE

Če vam ni treba oprati veliko posode, lahko uporabite polovično polnjenje, da tako varčujete z vodo, elektriko in pomivalnim sredstvom. Izberite program in pritisnite tipko za POLOVIČNO POLNENJE: signalna lučka zasveti. Za izklop možnosti znova pritisnite tipko za POLOVIČNO POLNENJE. **Ne pozabite razpoloviti količine pomivalnega sredstva.**

ZAMIK VKLOPA

Začetek programa lahko zamaknete za obdobje med 1 in 12 urami.

1. Pritisnite tipko za ZAMIK VKLOPA; na prikazovalniku se pojavi ustrezen simbol **h**; vsakič, ko pritisnete na tipko, se bo čas od začetka izbranega programa povečal (1 h, 2 h itd. do maks. 12 h).
2. Izberite program, pritisnite gumb za ZAGON/Premor in v 4 sekundah zaprite vrata: čas se začne odšteti.
3. Ko čas poteče, signalna lučka **h** ugasne, program pa se zažene.

Za nastavitev časa zamika in izbor krajšega časa pritisnite tipko za ZAMIK VKLOPA. Za preklic možnosti tipko pritisnite tolikokrat, da signalna lučka **h** za zamik vklopa ugasne.

Po vklopu pomivanja funkcije za zamik vklopa ni več mogoče nastaviti.

TABLETE

S to nastavitvijo lahko optimizirate delovanje programa glede na vrsto uporabljenega pomivalnega sredstva.

Če uporabljate kombinirano pomivalno sredstvo v obliki tablet (tekočina za lesk, sol in pomivalno sredstvo v eni tableti), 3 sekunde držite tipko za ZAGON/Premor (ustrezen simbol zasvetita).

Možnost izklopite, če uporabljate tekoče pomivalno sredstvo ali pomivalno sredstvo v prahu.

NaturalDry

NaturalDry je konvekcijski sušilni sistem, ki samodejno odpre vrata med sušenjem/po njem, da vedno poskrbi za najboljše rezultate sušenja.

Vrata se odprejo pri temperaturi, ki ne poškoduje kuhinjskega pohištva. Vrata se ne odprejo.

Pomivalnemu stroju je dodana posebna folija za zaščito pred paro.

Za informacije o namestitvi zaščitne folije glejte NAVODILA ZA NAMESTITEV.

Delovanje NaturalDry lahko uporabnik izklopi na naslednji način:

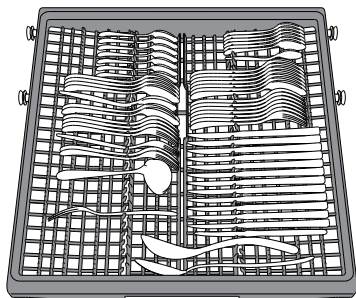
1. Gumb **P** držite 6 sekund, da odprete programski meni pomivalnega stroja.
2. Preklopili ste v upravljalni meni sistema za odpiranje vrat, kjer lahko s pritiskom na gumb **P** spremenite stanje delovanja sistema za odpiranje vrat:

E – vklopljeno **d** – izklopljeno

Držite gumb **P** (3 sekunde), da potrdite spremembo in zapustite upravljalni meni.

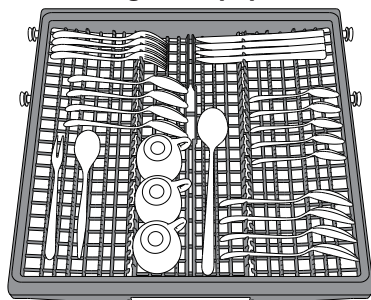
NALAGANJE KOŠAR

KOŠARA ZA PRIBOR



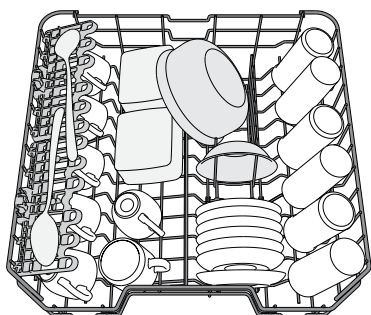
Tretja košara je bila zasnovana za pribor. Pribor razporedite, kot prikazuje slika. Ustrezna razporeditev pribora olajša pobiranje pribora iz aparata po končanem pomivanju in izboljša rezultat pomivanja in sušenja.

Nože in druge ostre pripomočke naložite z rezili navzdol.



Oblika košare omogoča nalaganje manjših kosov posode, kot so npr. kavne skodelice, na sredinsko območje.

ZGORNJA KOŠARA



Vanjo naložite občutljivo in lahko posodo: kozarce, skodelice, krožnike in nizke sklede za solato.

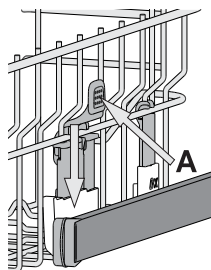
(primer nalaganja posode v zgornjo košaro)

NASTAVITEV VIŠINE ZGORNJE KOŠARE

Višino zgornje košare je mogoče nastaviti: zgornji položaj omogoča zlaganje večje posode v spodnjo košaro, s spodnjim položajem pa lahko bolje izkoristite postavljalna držala. S pomikom košare ustvarite več prostora in preprečite trk s posodo, ki je naložena v spodnjo košaro. Zgornja košara je opremljena z regulatorjem višine (glejte sliko). Brez pritiska na ročice jo dvignite tako, da jo preprosto držite na obeh straneh in jo dvigate, dokler ni stabilno nameščena v zgornjem položaju. Da košaro znižate v spodnji položaj pritisnite na ročici **A** na straneh košare in jo pomaknite navzdol.

Močno odsvetujemo nastavljanje višine košare, ko je ta polna.

Košare NIKDAR ne dvigajte ali spuščajte samo na eni strani.



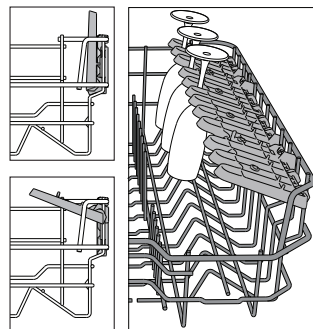
ZLOŽLJIVA POLIČKA Z NASTAVLJIVIM POLOŽAJEM

Stranske zložljive poličke je mogoče sklopiti ali razklopiti, da lahko tako posodo kar najboljše razporedite po zgornji košari.

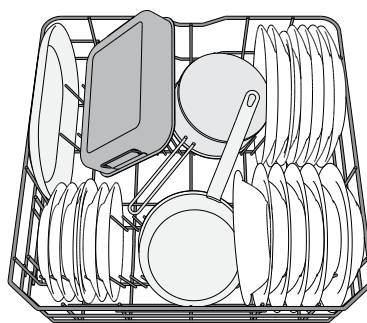
Kozarce za vino lahko z zložljivo poličko zavarujete tako, da njihove peclje vstavite v ustrezne zareze.

Glede na model pomivalnega stroja:

- če želite razklopiti poličko, jo povlecite navzgor in jo obrnite ali sprostite iz zapahov ter jo povlecite navzdol.
- če želite sklopiti poličko, jo obrnite, povlecite navzdol ali jo povlecite navzgor in namestite v zapaha.



SPODNJA KOŠARA



Za lonce, pokrovke, krožnike, solatne sklede, pribor itd. Najboljše je, da večje krožnike in pokrovke naložite na strani, da tako ne ovirajo pršilne roke.

(primer zlaganja posode v spodnjo košaro)

VSAKODNEVNA UPORABA

1. PREVERJANJE PRIKLOPA VODE

Preverite, ali je pomivalni stroj priključen na dovod vode in ali je vodovodna pipa odprta.

2. VKLOP POMIVALNEGA STROJA

Odprite vrata in pritisnite tipko za **VKLOP/IZKLOP**.

3. NALAGANJE POSODE V KOŠARE

(glej **NALAGANJE KOŠAR**)

4. POLNENJE PREKATA ZA POMIVALNO SREDSTVO

(glej **PROGRAMSKA TABELA**).

5. IZBIRA PROGRAMA IN NASTAVITEV MOŽNOSTI

Izberite najprimernejši program glede na vrsto posode in stopnjo umazanosti (glejte **OPIS PROGRAMOV**) tako, da pritisnete tipko P. Izberite zeleno možnost (glejte **MOŽNOSTI IN FUNKCIJE**).

6. ZAGON

Pomivanje zaženite tako, da pritisnete na tipko za **ZAGON/Premor**, (LED-lučka zasveti) in v 4 sekundah zaprete vrata. Ob začetku programa se oglasi zvočni signal. Če v 4 sekundah ne zaprete vrat, se oglasi zvočno opozorilo. V tem primeru odprite vrata, pritisnite tipko za **ZAGON/Premor**, nato pa vrata v 4 sekundah znova zaprite.

7. KONEC POMIVANJA

Ob koncu programa pomivanja se oglasi zvočni signal in na prikazovalniku začne utripati številka programa pomivanja. Odprite vrata in s pritiskom na tipko za **VKLOP/IZKLOP** izklopite aparat. Preden izvezete posodo počakajte nekaj minut, da se ne opečete. Izpraznite košare, pri čemer začnite s spodnjo.

Aparat se med daljšimi obdobji neaktivnosti samodejno izklopi, da tako varčuje z energijo.

Če je posoda le rahlo umazana ali če ste jo pred vstavljanjem v aparat sprali z vodo, ustrezno zmanjšajte količino uporabljenega pomivalnega sredstva.

SPREMINJANJE PROGRAMA V TEKU

Če ste izbrali napačen program, ga lahko spremenite pod pogojem, da se je program pravkar zagnal: odprite vrata, držite tipko za **VKLOP/IZKLOP** in tako izklopite aparat.

Aparat ponovno vklopite s tipko za **VKLOP/IZKLOP** in izberite nov program pomivanja ter zelene možnosti; pomivalni cikel zaženite tako, da pritisnete tipko za **ZAGON/Premor** in v 4 sekundah zaprete vrata.

DODAJANJE POSODE

Brez izklopa aparata odprite vrata (LED-dioda za **ZAGON/Premor** začne utripati) (**pazite na VROČO paro!**) in vstavite posodo v pomivalni stroj. Pritisnite tipko za **ZAGON/Premor** in v 4 sekundah zaprite vrata. Program se nadaljuje od točke prekinitve.

NENAMERNE PREKINITVE

Če med pomivanjem odprete vrata ali če pride do izpada električne energije, se program zaustavi. Če želite, da se program nadaljuje od točke prekinitve, pritisnite tipko za **ZAGON/Premor** in v 4 sekundah zaprite vrata.

NASVETI IN NAMIGI

NASVETI

Predn posodo naložite v košare, iz nje odstranite vse ostanke hrane, kozarce pa izpraznite. **Posode vam pred pomivanjem ni treba izprati pod tekočo vodo.**

Posodo naložite tako, da je trdno nameščena in se ne prevrne; posode naložite z odprtim delom navzdol, konkavne/konveksne kose pa poševno, da tako omogočite prost pretok vode za pomivanje vseh površin.

Pozor: pokrovi, ročaji, pladnji in ponve ne smejo ovirati vrtenja pršilnih rok.

V košarico za pribor lahko naložite katere koli manjše kose.

Zelo umazane lonce in ponve položite v spodnjo košaro, saj so curki vode v tem delu močnejši, kar izboljša rezultat pomivanja.

Ko v aparat zložite posodo, se prepričajte, da se pršilne roke neovirano vrtijo.

NEUSTREZNA POSODA

- Lesena posoda in pribor.
- Občutljivi okrašeni kozarci, umetniška ročna dela in starinski pribor. Okras na teh predmetih ni dovolj obstojen.
- Predmeti iz sintetičnih materialov, ki niso odporni na visoke temperature.
- Bakrena in pločevinasta posoda.
- Posoda, umazana od pepela, voska, maziv ali črnila.

Barva steklenih okraskov in aluminijastih/srebrnih predmetov se lahko med pomivanjem spremeni in zbledi. Nekatere vrste stekla (npr. predmeti iz kristala) lahko po nekaj pomivanjih postanejo motne.

POŠKODBE KOZARCEV IN POSODE

- Pomivajte le kozarce in porcelan, za katere proizvajalec jamči, da jih lahko pomivate v pomivalnem stroju.
- Uporabite blago pomivalno sredstvo, ki je primerno za posodo.
- Kozarce in posodo iz pomivalnega stroja vzemite takoj po koncu programa.

NAMIGI ZA VARČEVANJE Z ENERGIJO

- Kadar gospodinjski pomivalni stroj uporabljate v skladu z navodili proizvajalca, **pomivanje posode v pomivalnem stroju običajno porabi manj ENERGIJE in vode kot ročno pomivanje posode.**
- Za povečanje učinkovitosti pomivalnega stroja priporočamo, **da pomivalni cikel zaženete, ko je pomivalni stroj popolnoma napolnjen.** Nalaganje gospodinjskega pomivalnega stroja do zmogljivosti, ki jo je navedel proizvajalec, pripomore k prihranku energije in vode. Informacije o pravilnem nalaganju posode najdete v poglavju **NALAGANJE KOŠAR**. V primeru polovičnega polnjenja priporočamo, da uporabite ustrezne možnosti pomivanja, če so na voljo (polovično polnjenje/Zone Wash/ Multizone), in naložite le izbrane košare. Nepravilno polnjenje ali preobremenitev pomivalnega stroja lahko poveča porabo virov (kot so voda, energija in čas, kot tudi raven hrupa), kar zmanjša učinkovitost pomivanja in sušenja.
- Ročno predpomivanje posode pomeni večjo porabo vode in energije in se zato ne priporoča.

HIGIENA

Da preprečite nastanek neprijetnih vonjav ali nabiranje oblog v pomivalnem stroju, **vsaj enkrat na mesec zaženite program z visoko temperaturo.** Uporabite eno žličko pomivalnega sredstva in program zaženite brez posode, da tako očistite pomivalni stroj.

SERVIS IN VZDRŽEVANJE

ČIŠČENJE FILTRIRNEGA SKLOPA

Filtrirni sklop redno čistite, da se filtri ne zamašijo in da odpadna voda pravilno odteka.

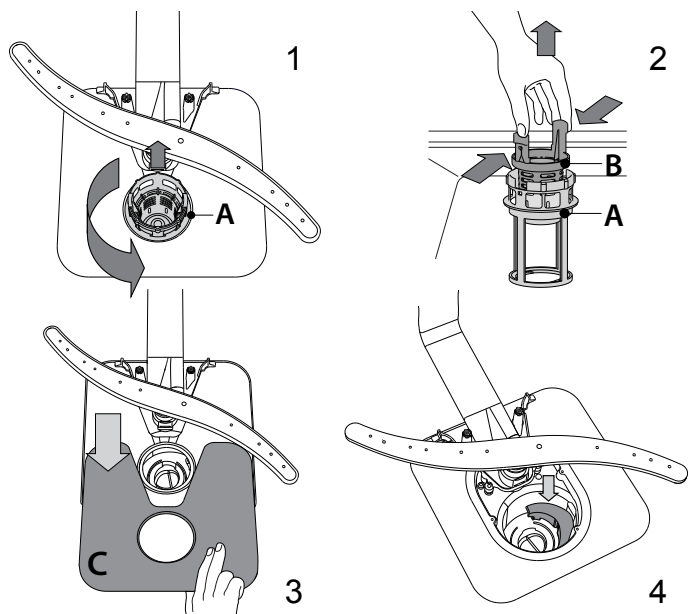
Uporaba pomivalnega stroja z zamašenimi filtri ali tujki znotraj filtracijskega sistema ali pršilnih rok lahko povzroči okvaro aparata, kar se kaže v izgubi učinkovitosti, hrupnem delovanju ali višjo porabo virov.

Filtrirni sklop je sestavljen iz treh filtrov, ki iz pomivalne vode odstranjujejo ostanke hrane in vodo ponovno usmerijo v aparat: za doseg najboljših rezultatov pri pomivanju morajo biti filtri čisti.

Pomivalnega stroja ni dovoljeno uporabljati brez filtrov ali z nepritrjenimi filtri.

Vsaj enkrat na mesec ali po vsakih 30 ciklih preverite sklop filtra in ga po potrebi temeljito očistite pod tekočo vodo in z nekovinsko krtačko, pri čemer upoštevajte spodnja navodila:

1. Cilindrični filter **A** zavrtite v nasprotni smeri urnega kazalca in ga izvlecite (Slika 1).
2. Odstranite mrežico filtra **B** tako, da nekoliko stisnete stranska jezička (Slika 2).
3. Izvlecite ploščo iz nerjavnega jekla za filter **C** (Slika 3).
4. V primeru, da najdete tujke (kot so razbito steklo, porcelan, kosti, sadna semena itd.), jih **previdno odstranite**.
5. Preglejte mrežico in iz nje odstranite ostanke hrane. **NIKOLI NE ODSTRANITE** zaščitne črpalke pri pomivanju (na sliki je počrtnjena) (Slika 4).



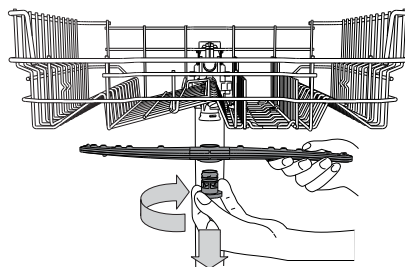
Ko ste očistili filtre, filtrirni sklop znova sestavite in ga pritrдите v pravi položaj. Ta postopek je ključnega pomena pri vzdrževanju brezhibnega delovanja pomivalnega stroja.

ČIŠČENJE DOVODNE CEVI ZA VODO

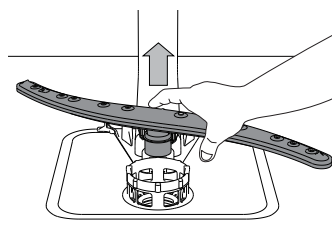
Če so vodovodne cevi nove ali pa jih dalj časa niste uporabljali, naj pred priključitvijo voda najprej nekaj časa teče. Tako se boste lahko prepričali, da je čista in da v njej ni nečistoč. Če tega ne storite, se lahko dovod vode zamaši, kar pripelje do poškodb pomivalnega stroja.

ČIŠČENJE PRŠILNIH ROK

Občasno se lahko na pršilnih rokah naberejo ostanke hrane in zamašijo luknjice, iz katerih brizga voda. Zato priporočamo, da roke od časa do časa preverite in jih očistite z majhno nekovinsko krtačko.



Da odstranite zgornjo pršilno roko, zavrtite plastični pritrdilni obroč v smeri urnega kazalca. Zgornjo pršilno roko znova namestite tako, da je stran z več luknjicami obrnjena navzgor.



Spodnjo pršilno roko odstranite tako, da jo potegnete navzgor.

SISTEM ZA MEHČANJE VODE

Sistem za mehčanje vode samodejno zmanjša trdoto vode, kar preprečuje kopičenje oblog na grelniku in prispeva k večji učinkovitosti pomivanja.

Ta sistem se obnovi z regeneracijsko soljo, zato morate poskrbeti, da je posoda za sol napolnjena.



Pogostost regeneracije je odvisna od nastavitve stopnje trdote vode – regeneracija poteka enkrat na 6 Eko ciklov, pri čemer je stopnja trdote vode nastavljena na 3.

Postopek regeneracije se začne s končnim izpiranjem in konča s fazo sušenja, preden se cikel konča.

- Posamezna regeneracija porabi: ~3,5 l vode;
- Cikel traja do 5 minut dlje;
- Porabi manj kot 0,005 kWh električne energije.

ODPRAVLJANJE TEŽAV

V primeru, da vaš pomivalni stroj ne deluje pravilno, preverite, ali lahko težavo odpravite s spodnjimi nasveti. Za druge napake ali težave se obrnite na pooblaščen servisno službo. Kontaktne podatke najdete v garancijski knjižici. Nadomestni deli bodo na voljo za obdobje do 7 ali do 10 let, v skladu s posebnimi zahtevami uredbe..

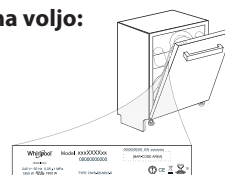
TEŽAVE	MOREBITNI VZROKI	REŠITVE
 Indikator soli sveti	Posoda za sol je prazna. (Ko sol dodate, lahko indikator soli sveti še več pomivalnih ciklov).	Napolnite posodo s soljo (za več informacij glejte stran 2). Prilagodite trdoto vode - glejte tabelo, stran 2.
 Indikator tekočine za lesk sveti	Posoda za tekočino za lesk je prazna. (Ko tekočino za lesk dodate, lahko indikator tekočine za lesk sveti še več pomivalnih ciklov).	Napolnite posodo s tekočino za lesk (za več informacij glejte stran 2).
Pomivalni stroj se ne zažene oz. se ne odziva na ukaze.	Aparat ni ustrezno priključen na električno omrežje.	Vtaknite vtič v vtičnico.
	Izpad električne energije	Iz varnostnih razlogov se pomivalni stroj ne bo samodejno ponovno zagnal, ko je napajanje znova vzpostavljeno. Odprite vrata pomivalnega stroja, pritisnite tipko ZAGON/Premor in v 4 sekundah zaprite vrata.
	Vrata pomivalnega stroja niso zaprta. Zatič NaturalDry ni uvlečen.	Na vrata močneje pritisnite, da zaslišite „klik“.
	Cikel se prekine, če so vrata odprta za več kot 4 sekunde.	Pritisnite ZAGON/Premor in zaprite vrata v 4 sekundah.
Voda ne odteka iz pomivalnega stroja. Zaslón prikazuje: 3 in LED-lučka za vklop/izklop hitro utripa	Pomivanje se še ni zaključilo.	Počakajte, da se pomivanje zaključi.
	Odtočna cev je upognjena.	Preverite, da odtočna cev ni upognjena (glejte NAVODILA ZA NASTAVITEV).
	Odtočna cev v koritu je zamašena.	Očistite odtočno cev v koritu.
	Ostanki hrane so zamašili filter.	Očistite filter (glejte ČIŠČENJE FILTRIRNEGA SKLOPA).
Iz pomivalnega stroja se slišijo glasni zvoki.	Posode se dotikajo ena druge in povzročajo zvoke.	Pravilno naložite posodo (glejte NALAGANJE KOŠAR).
	Nastaja prekomerna količina pene.	Pomivalnega sredstva niste pravilno odmerili ali pa pomivalno sredstvo ni primerno za strojno pomivanje posode (glejte POLNJENJE PREKATA ZA POMIVALNO SREDSTVO). Znova zaženite trenutni program, tako da izklopite pomivalni stroj, ga spet vklopite, izberete nov program, pritisnete tipko ZAGON/Premor in zaprete vrata v roku 4 sekund. Ne dodajajte pomivalnega sredstva.
Posoda ni čista.	Posode niste pravilno razporedili.	Pravilno naložite posodo (glejte NALAGANJE KOŠAR).
	Pršilne roke se ne morejo prosto vrteti, saj jih ovira posoda.	Pravilno naložite posodo (glejte NALAGANJE KOŠAR).
	Program pomivanja ni dovolj močan.	Izberite primeren program pomivanja (glejte PROGRAMSKO TABELO).
	Nastaja prekomerna količina pene.	Pomivalnega sredstva niste pravilno odmerili ali pa pomivalno sredstvo ni primerno za strojno pomivanje posode (glejte POLNJENJE PREKATA ZA POMIVALNO SREDSTVO).
	Pokrovček posode za tekočino za lesk ni ustrezno zaprt.	Zaprite pokrovček posode za tekočino za lesk.
	Umazan ali zamašen filter	Očistite filtrirni sklop (glejte NEGA IN VZDRŽEVANJE).
V pomivalni stroj ne doteka voda. Zaslón prikazuje: H , 6 in LED-lučka za vklop/izklop hitro utripa	V aparatu ni soli.	Napolnite posodo s soljo (glejte POLNJENJE POSODE ZA SOL).
	Prazen dovod vode ali zaprta vodovodna pipa.	Prepričajte se, da v aparat doteka voda in da je vodovodna pipa odprta.
	Dovodna cev je upognjena.	Prepričajte se, da dovodna cev ni upognjena (glejte NAMESTITEV) ponastavite program pomivanja in stroj znova zaženite.
Pomivalni stroj predčasno zaključi cikel. Zaslón prikazuje: 15 in LED-lučka za vklop/izklop hitro utripa	Cedilo dovodne cevi za vodo je zamašeno; Očistite ga	Ko ste preverili in očistili cedilo, pomivalni stroj izklopite in vklopite ter zaženite nov program.
	Odtočna cev je postavljena prenizko ali odlivanje v domači kanalizacijski sistem.	Preverite, če je konec odtočne cevi nameščen na ustrezni višini (glejte NAMESTITEV). Preverite odlivanje v domači kanalizacijski sistem in po potrebi namestite ventil za vstop zraka.
Puščanje detergenta.	Zrak v dovodu vode	Preverite dovod vode ali druge težave, ki povzročajo puščanje zraka v notranjost.
	Je odvisno od uporabljenega tekočega detergenta in je lahko opaznejše v primeru vklopa možnosti zakasnitve.	Manjša puščanja ne bodo povzročila okvare stroja, izognete pa se jim lahko z zamenjavo vrste tekočega detergenta ali uporabo tablet.

Pravila uporabe, standardna dokumentacija, naročanje nadomestnih delov in dodatne informacije o izdelkih so na voljo:

- Uporabite kodo QR na svojem izdelku.
- Z obiskom naših spletnih strani docs.whirlpool.eu/docs in parts-selfservice.europeanappliances.com
- **Obrnete se lahko tudi na našo servisno službo** (telefonske številke so navedene v servisni knjižici).

Ko stopite v stik z našo servisno službo, navedite kode, ki so zapisane na identifikacijski ploščici izdelka.

Podatke o modelu je mogoče pridobiti s kodo QR na energijski nalepki. Na nalepki je prav tako identifikator modela, ki ga lahko uporabite za preverjanje podatkov na portalu za registracijo <https://eprel.ec.europa.eu>.



UDHËZUESI PËR PËRDORIMIN E PËRDITSHËM



**FALEMINDERIT QË KENI BLERË PRODUKTIN
WHIRLPOOL.**

Për të marrë mbështetjen më të plotë, ju lutemi të regjistrohni në: www.whirlpool.eu/register

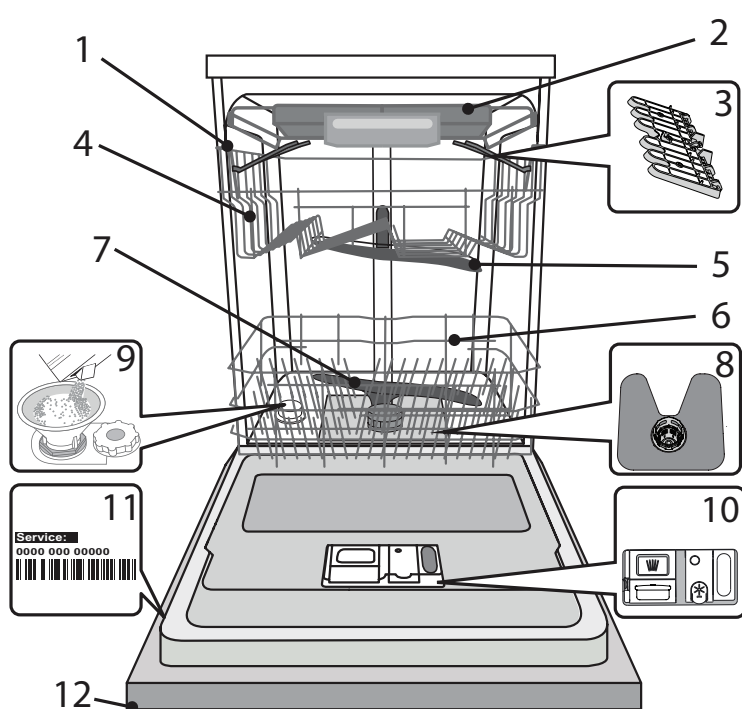
**JU LUTEMI TË SKANONI KODIN QR
NË PRODUKTIN TUAJ PËR TË MARRË
INFORMACIONET MË TË DETAJUARA**



Para se të përdorni këtë pajisje lexoni Udhëzimin për shëndetin dhe sigurinë.

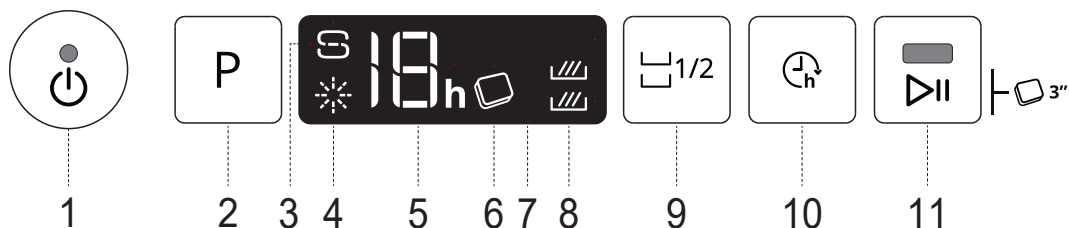
PËRSHKRIMI I PRODUKTIT

PAJISJA



1. Rafti i sipërm
2. Rafti i takëveve
3. Krahët e palosshëm
4. Rregullimi i lartësisë së raftit të sipërm
5. Spërkatësja e sipërme
6. Rafti i poshtëm
7. Spërkatësja e poshtme
8. Sistemi i filtrave
9. Kutia e kripës
10. Detergjenti dhe kutia e mjetit për shpëlarje
11. Pllakëza identifikuese
12. Paneli i kontrollit

PANELI I KONTROLLIT



1. Butoni Ndiz-Fik/Rivendos me llambushkën treguese
2. Butoni i përzgjedhjes së programit
3. Llambushka e treguesit të rimbushjes me kripë
4. Llambushka e treguesit të rimbushjes së shpëlarësit
5. Treguesi i numrit të programit dhe kohës së ndezjes me vonesë
6. Llambushka treguese e Tabletës (Tab)
7. Ekran
8. Llambushka e treguesit të treguesit të Gjysmën e Ngarkesës
9. Butoni për Gjysmën e Ngarkesës
10. Butoni i Ndezjes me vonesë
11. Butoni FILLIM/Pushim me dritën treguese / Tableta (Tab)

PËRDORIMI I PARË I PAJISJES KRIPË, MJET PËR SHPËLARJE DHE DETERGJENT


REKOMANDIMET NË LIDHJE ME PËRDORIMIN E PARË

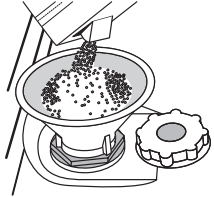
Pas instalimit, hiqni kapakët nga raftet dhe elementet shtrënguese elastike nga rafti i sipërm.

MBUSHJA E KUTISË SË KRIPËS

Përdorimi i kripës parandalon formimin e GËLQERES në enët dhe komponentët funksionalë të makinës.

- **KUTIA E KRIPËS NUK DUHET** të jetë **I ZBRAZËT KURRË**.
- Është e rëndësishme të rregulloni fortësinë e ujit.

Kutia e kripës gjendet në pjesën e poshtme të enëlarësës (*shihni PËRSH-KRIMIN E PRODUKTIT*) dhe duhet të mbushet kur ndriçon në panelin e kontrollit drita treguese **RIMBUSHJA E KRIPËS** .



1. Hiqni raftin e poshtëm dhe zhvidhosni kapakun e kutisë (në drejtim të kundërt të akrepave të sahatit).
2. Kur e bëni këtë vetëm për herë të parë mbushni me ujë kutinë e kripës.
3. Vendosni hinkën (*shihni imazhin*) dhe mbushni kutinë e kripës deri në buzën e tij (përafërsisht 1 kg); nuk është e pazakonshe nëse rrjedh pak ujë.

4. Hiqni hinkën dhe fshini të gjitha pjesët e mbetura të kripës. Sigurohuni se është vidhosur fort kapaku në mënyrë që detergjenti të mos hyjë brenda gjatë programit të larjes (kjo mund të dëmtojë përherë zbutësin e ujit).

Sa herë që duhet të shtoni kripën, procedura duhet të mbarohet detyrisht para fillimit të ciklit të larjes me qëllim që të shmanget gërryerja.

KONFIGURIMI I FORTËSISË SË UJIT

Në mënyrë që zbutësi i ujit të punojë pa gabim, është e domosdoshme që konfigurimi i fortësisë së ujit të bazohet mbi fortësinë reale të ujit në shtëpinë tuaj. Këto informacione mund t'i merrni nga furnizuesi juaj lokal i ujit.

Fabrika vendos vlerën fillestare të fortësisë së ujit.

- Ndizni pajisjen duke shtypur butonin **Ndiz-Fik**.
- Fikni pajisjen duke shtypur butonin **Ndiz-Fik**.
- Mbani të shtypur për 5 sekonda butonin **P**, derisa të dëgjoni një sinjal zanor.
- Ndizni pajisjen duke shtypur butonin **Ndiz-Fik**.
- Numri aktual i nivelit të zgjedhjes dhe drita treguese e kripës po pulsojnë.
- Shtypni butonin **P** për të zgjedhur nivelin e dëshiruar të fortësisë (*shihni TABELËN E FORTËSISË SË UJIT*).

Tabela e fortësisë së ujit			
Niveli	°dH Shkalla gjermane	°fH Shkalla franceze	°Clark Shkalla angleze
1 E butë	0 - 6	0 - 10	0 - 7
2 E mesme	7 - 11	11 - 20	8 - 14
3 Mesatare	12 - 16	21 - 29	15 - 20
4 E fortë	17 - 34	30 - 60	21 - 42
5 Shumë e fortë	35 - 50	61 - 90	43 - 62

- Fikni pajisjen duke shtypur butonin **Ndiz-Fik**.

Konfigurimi ka përfunduar!

Kur të përfundojë kjo procedurë, nisni menjëherë programin.


Përdorni vetëm kripën që është krijuar veçanërisht për enëlarëset.

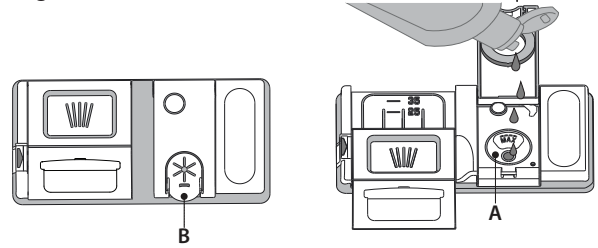
Pasi është vendosur kripa në enëlarësen, do të fiket drita treguese e RIMBUSHJES SË KRIPËS.

Nëse nuk është mbushur kutia e kripës, zbutësi i ujit dhe elementi ngrohës mund të dëmtohen si pasojë e grumbullimit të gëlqeres.

Përdorimi i kripës rekomandohet me cilindo lloj të detergjentit për enëlarëset.

MBUSHJA E KUTISË SË MJETIT PËR SHPËLARJE

Mjeti për shpëlarje lehtëson THARJEN e enëve. Kutia e mjetit për shpëlarje **A** duhet të mbushet kur të ndriçojë në panelin e kontrollit drita treguese **RIMBUSHJA E MJETIT PËR SHPËLARJE** .



1. Hapni kutinë **B** duke shtypur dhe tërhequr lart skedën në kapak.
 2. Dërdhni mjetin për shpëlarje (maks. 110 ml), duke kujdesur që të mos dalë jashtë shtratit të kutisë. Nëse ndodh kjo, fshini menjëherë këtë me një leckë të thatë.
 3. Për të mbyllur kapakun, shtypni atë poshtë derisa të dëgjoni një klik.
- Mos vendosni KURRË mjetin për shpëlarje drejtpërdrejt në pajisjen.**

KONFIGURIMI I DOZËS SË MJETIT PËR SHPËLARJE

Nëse nuk jeni plotësisht të kënaqur me rezultatet e tharjes, mund të konfiguroni sasinë e mjetit për shpëlarje.

- Ndizni enëlarësen duke shtypur butonin **Ndiz-Fik**.
- Fikni enëlarësen duke shtypur butonin **Ndiz-Fik**.
- Shtypni tri herë butonin **P** - do të dëgjohet një sinjal zanor.
- Ndizni enëlarësen duke shtypur butonin **Ndiz-Fik**.
- Numri aktual i nivelit të zgjedhjes dhe drita treguese e kripës po pulsojnë.
- Shtypni butonin **P** për të zgjedhur nivelin e sasisë së mjetit për shpëlarje.
- Fikeni atë duke shtypur butonin **Ndiz-Fik**.

Konfigurimi ka përfunduar!

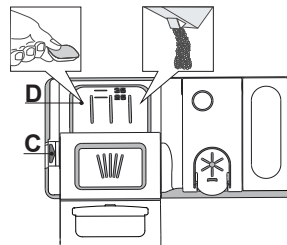
Nëse është konfiguruar në ZERO nivelin e mjetit për shpëlarje, nuk do të përdoret asnjë mjet për shpëlarje. Drita treguese RIMBUSHJA E MJETIT PËR SHPËLARJE nuk do të ndriçojë nëse ju mungon mjeti për shpëlarje. Varësisht nga modeli i enëlarësës mund të konfigurohen jo më shumë se 5 nivele. Konfigurimi fillestar është specifik për modelin, ju lutemi që të ndiqni udhëzimet e sipërme për ta kontrolluar këtë lidhur me enëlarësen tuaj.

- Nëse shihni vija blu në enët, konfiguroni numrin më të ulët (1-2).
- Nëse ka pika uji ose shenja gëlqereje në enët, konfiguroni numrin e mesëm (3-4).

MBUSHJA E KUTISË SË DETERGJENTIT

Për të hapur kutinë e detergjentit përdorni hapësen C.

Vendosni detergjentin vetëm në kutinë D. Vendosni sasinë e detergjentit për paralarje drejtpërdrejt në pajisjen.



1. Kur matni sasinë e detergjentit merrni parasysh informacionet e përmendura më herët për të shtuar sasinë e përshtatshme. Brenda kutisë **D** gjenden informacionet që ndihmojnë në dozimin e detergjentit.
2. Hiqni pjesët e mbetura të detergjentit nga buzët e kutisë dhe mbyllni kapakun derisa të dëgjohet një klik.
3. Mbyllni kapakun e kutisë së detergjentit duke e tërhequr lart derisa të fiksohet mirë mbyllësja.

Kutia e detergjentit hapet automatikisht në kohën e duhur në përputhje me programin.

Nëse përdorni detergjentët all-in-one (gjithçka në një), ju rekomandojmë që të përdorni butonin **TABLETA**, sepse ai adapton programin në mënyrë që të arrijë gjithmonë rezultatet më të mira.

Përdorimi i detergjentit i cili nuk është i destinuar për përdorim në enëlarëset mund të shkaktojë ose të dëmtojë pajisjen.

TABELA E PROGRAMEVE

Programi	Faza e tharjes	NaturalDry	Opsionet e disponueshme *)	Kohëzgjatja e programit të larjes (o:min)**)	Konsumi i ujit (litra/cikël)	Konsumi i energjisë (kWh/cikël)
1. Eko ECO 50°	✓	✓		3:10	8,9	0,75
2. Intensiv	✓	✓		2:50	17,0	1,60
3. 6 th Sense®	✓	✓		1:25 - 3:00	7,0 - 14,0	0,90 - 1,40
4. Larje dhe tharje shpejtë	✓	✓		1:25	11,5	1,10
5. E Shpejtë 30'	✗	✓		0:30	9,0	0,50
6. E heshtur	✓	✓		3:30	16,0	1,15
7. Pastrimi	✓	✗		1:50	12,0	1,30
8. Para-larje	✗	✗		0:12	4,5	0,01
9. Vetëpastrim	✗	✗		0:50	8,0	0,85

Të dhënat e programit EKO maten nën kushte laboratorike në përputhje me Standardin Evropian EN 60436:2020.

Shënimi për laboratorët e testimit: Për informacionet rreth kushteve të testimit krahasues EN, ju lutemi të dërgoni një e-mail në adresën e mëposhtme: dw_test_support@europeanappliances.com

Para përdorimit të një programi nuk është i nevojshëm trajtimi paraprak i enëve.

*) Jo të gjitha opsionet mund të përdoren njëkohësisht.

** Vlerat e dhëna për programet përveç programit EKO janë vetëm me karakter tregues. Koha reale mund të variojë nga shumë faktorë siç janë temperatura dhe presioni i ujit, temperatura e dhomës, sasia e detergjentit, sasia dhe lloji i enëve, balancimi i ngarkesës, opsionet shtesë dhe kalibrimi i sensorit. Kalibrimi i sensorit mund të rrisë kohëzgjatjen e programit deri në 20 min.

PËRSHKRIMI I PROGRAMEVE

Udhëzimi për zgjedhjen e ciklit të larjes.

1 EKO

Programi Eko është i përshtatshëm për larjen e enëve mesatarisht të pista, dhe për këtë qëllim ky është programi më efikas nga pikëpamja e konsumit të energjisë dhe ujit dhe duhet të përdoret për vlerësimin e përputhshmërisë me rregullat e BE-së për dizajnin ekologjik.

2 INTENSIV

Ky program rekomandohet për enët shumë të pista, veçanërisht për tiganët dhe tenxheret (mos e përdorni për enët delikate).

3 6th SENSE®

Për enët mesatarisht të pista me pjesët e mbetura të thata të ushqimit. Gjen nivelin e papastërtisë dhe në bazë të kësaj konfiguroni programin.

4 LARJE DHE THARJE SHPEJTË

Enët mesatarisht të pista. Cikli i përditshëm i cili siguron performancat optimale të larjes për një kohë më të shkurtër.

5 E SHPEJTË 30'

Ky program përdoret për gjysmën e ngarkesës së enëve pak të pista pa pjesë të mbetura të thata të ushqimit. Nuk ka fazën e tharjes.

6 E HESHTUR

I përshtatshëm për përdorim gjatë natës. Siguron performancat optimale të larjes dhe tharjes me emetimin më të ulët të zhurmës.

7 PASTRIMI

Enët mesatarisht ose shumë të pista, me larjen shtesë antibakteriale. Mund të përdoret për mirëmbajtjen e enëlarësës.

8 PARA-LARJE

Përdoret për freskimin e enëve të cilat duhet të lahen. Mos përdorni detergjentin për këtë program.

9 VETËPASTRIM

Programi i cili përdoret për mirëmbajtjen e enëlarësës dhe duhet të përdoret vetëm kur është E ZBRAZËT enëlarësja duke përdorur detergjentët e veçantë të parashikuar për mirëmbajtjen e enëlarësës.

Shënimet:

Kini parasysh se cikli E Shpejtë 30' është i destinuar për enët pak të pista.

OPSIONET DHE FUNKSIONET

OPSIONET mund t'i zgjidhni drejtpërdrejt duke shtypur butonin përkatës (shihni PANELIN E KONTROLLIT).

Nëse një opzion nuk i përshtatet programit të zgjedhur (shihni TABELËN E PROGRAMEVEA), drita përkatëse LED do të pulsojë shpejt 3 herë dhe do të dëgjohej një sinjal zanor. Opsioni nuk do të jetë i mundur.

1/2 GJYSMA E NGARKESËS

Nëse nuk ka shumë enë për t'u larë, mund të përdorni ciklin për gjysmën e ngarkesës me qëllim të kursimit të ujit, energjisë elektrike dhe detergjentit. Zgjidhni programin dhe shtypni butonin GJYSMA E NGARKESËS: do të ndizet drita treguese. Shtypni butonin GJYSMA E NGARKESËS për të zgjedhur këtë opzion.

Mos harroni të përgjysmoni sasinë e detergjentit.



TABLETA (Tab)

Ky konfigurim ju mundëson optimizimin e performancave të programit në përputhje me llojin e detergjentit të përdorur. Shtypni për 3 sekonda butonin FILLIM/PUSHIM (do të ndriçojë simboli përkatës) nëse përdorni detergjentët e kombinuar në formë tablete (mjet për shpëlarje, kripë dhe detergjent në 1 dozë).

Nëse përdorni detergjentin e pluhurit ose të lëngshëm, ky opzion duhet të jetë i fikur.



NDEZJA ME VONESË

Koha e fillimit të programit mund të shtyhet për periudhën kohore midis **1** dhe **12** orëve.

1. Shtypni butonin NDEZJA ME VONESË: simboli përkatës «h» shfaqet në ekran; çdo herë kur shtypni butonin, do të shtohet (1o, 2o, etj. deri në 12o) koha e fillimit të ciklit të zgjedhur të larjes.
2. Zgjidhni programin e larjes, shtypni butonin FILLIM/Pushim dhe mbyllni derën brenda 4 sekondave; kohëmatësi do të fillojë të numërojë.
3. Pasi të ketë kaluar koha, drita treguese «h» fiket dhe nisët cikli i larjes.

Për të konfiguruar kohën e ndezjes me vonesë dhe për të zgjedhur një periudhë më të shkurtër, shtypni butonin NDEZJA ME VONESË. Për ta anuluar, shtypni butonin disa herë derisa të fiket drita treguese «h» e ndezjes me vonesë.

Funksioni NDEZJA ME VONESË nuk mund të konfigurohet nëse është nisur cikli i larjes.

NaturalDry

NaturalDry është një sistem tharjeje me konveksion, e cila e hap derën automatikisht gjatë/pas fazës së tharjes, për të garantuar rezultate të shkëlqyera të tharjes çdo ditë. Dera hapet kur temperatura është e sigurt për mobilet e kuzhinës.

Si mbrojtje shtesë me avull, fleta mbrojtëse e projektuar posaçërisht, shtohet bashkë me pjatarësin. Për të parë se si montohet fleta mbrojtëse, ju lutem referojuni (*UDHËZUESIT TË INSTALIMIT*).

Funksionalitet *NaturalDry* mund të çaktivizohet nga përdoruesi si më poshtë:

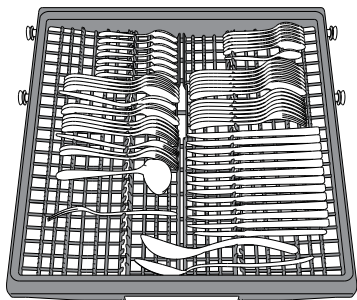
1. Shkoni tek menuja e softuerit të pjatarësit duke mbajtur shtypur butonin **P** (6 sek.).
2. Keni kaluar në menunë e kontrollit *NaturalDry*, e mund ta ndryshoni statusin e funksionalitetit *NaturalDry* duke shtypur butonin **P**:

E – aktive **d** – jo aktive

Për të konfirmuar ndryshimin dhe për të dalë nga menuja e kontrollit, ju lutemi mbani shtypur butonin **P** (3 sek.).

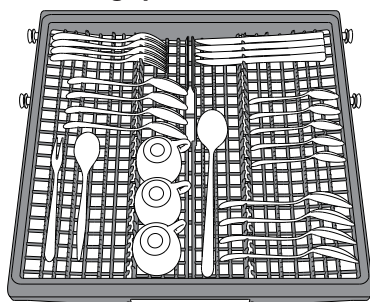
NGARKIMI I RAFTEVE

RAFTI I TAKËMEVE



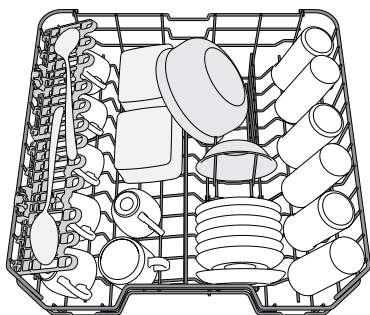
Rafti i tretë është caktuar për të mbajtur takëmet. Vendosini takëmet si tregohet në figurë. Një vendosja e ndarë e takëmeve bën më të lehtë mbledhjen pas larjes dhe përmirëson larjen dhe tharjen.

Thikat dhe takëmet e tjera me tehe të mprehta duhet të vendosen me tehe nga poshtë.



Gjeometria e raftit bën të mundur vendosjen e sendeve të vogla si filxhanë kafeje në zonën në mes.

RAFTI I SIPËRM



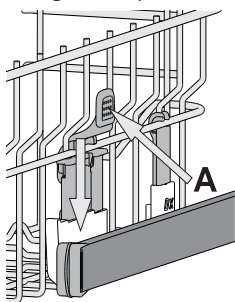
(shembulli i ngarkimit të raftit të sipërm)

RREGULLIMI I LARTËSISË SË RAFTIT TË SIPËRM

Lartësia e raftit të sipërm mund të rregullohet: pozita e lartë për vendosjen e enëve të mëdha në shportat e poshtme dhe pozita e ulët për përdorimin maksimal të mbajtësve lëvizës, duke krijuar më shumë hapësirë lart dhe duke shmangur përplasjen e enëve nga rafti i poshtëm. Rafti i sipërm ka **Rregullimin e lartësisë** së raftit të sipërm (shihni imazhin), pa shtypur dorezat, ngrijeni atë duke mbajtur raftin nga një anë, sapo të vendoset rafti në mënyrë të qëndrueshme në pozitën më të lartë. Për ta kthyer në pozitën më të ulët, shtypni dorezat (A) të cilat gjenden në anët e raftit dhe lëvizni shportën poshtë.

Ju rekomandojmë që të mos rregulloni lartësinë e raftit të mbushur.

KURRË mos ngrini o zbritni shportën vetëm në një anë.

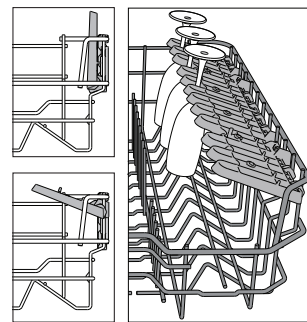


KRAHËT E PALOSSHËM ME POZITËN E RREGULLUESHME

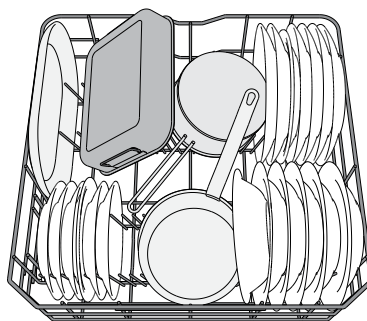
Krahët e palosshëm mund t'i palosni ose shpalosni dhe kështu mund optimizoni vendosjen e enëve brenda raftit. Gotat e verës mund të vendosen në mënyrë të sigurt në krahët e palosshëm duke futur çdo gotë në vrimën përkatëse.

Varësisht nga modeli:

- për të shpalosur krahët, duhet t'i shtypni lart dhe t'i rrotulloni ose t'i ndani nga mbajtësit dhe t'i zbritni poshtë.
- për të palosur krahët, duhet t'i rrotulloni dhe t'i shtypni poshtë ose lart, dhe t'i varni për mbajtësit.



RAFTI I POSHTËM



(shembulli i ngarkimit të raftit të poshtëm)

Për vazo, kapakë, pjata, tasa salate, takëme, etj. Pllakat e mëdha dhe kapakët duhet të vendosen në mënyrë ideale në anë për të shmangur pengesën e krahut spërkatës.

PËRDORIMI I PËRDITSHËM

1. KONTROLLONI LIDHJEN ME RRJETIN E UJIT

Kontrolloni nëse është lidhur enëlarësja me ujësjellësin dhe nëse është hapur rubineti.

2. NDIZNI ENËLARËSËN

Hapni derën dhe shtypni butonin **Ndiz-Fik**.

3. NGARKONI RAFTET (shihni NGARKIMIN I RAFTEVE)

4. MBUSHJA E KUTISË SË DETERGJENTIT

5. ZGJIDHNI PROGRAMIN DHE KONFIGURONI CIKLIN

Zgjidhni programin më të përshtatshëm në përputhje me llojin e enëve dhe nivelin e papastërtisë (shihni PËRSHKRIMIN E PROGRAMIT) duke shtypur butonin **P**. Zgjidhni opsionin e dëshiruar (shihni OPSIONET DHE FUNKSIONET).

6. FILLIM

Nisni ciklin e larjes duke shtypur butonin **FILLIM/Pushim** (drita LED është ndezur) dhe mbyllni derën brenda 4 sekondave. Kur fillon programi, do të dëgjoni një sinjal zanor. Nëse nuk mbyllni derën brenda 4 sekondave do të dëgjohet alarmi. Në këtë rast, hapni derën, shtypni butonin **FILLIM/Pushim** dhe mbyllni derën përsëri brenda 4 sekondave.

7. PËRFUNDIMI I CIKLIT TË LARJES

Pas përfundimit të ciklit të larjes do të dëgjohet një sinjal zanor dhe do të pulsojë në ekran numri i ciklave të larjes. Hapni derën dhe fikni pajisjen duke shtypur butonin **Ndiz-Fik**. Pritni disa minuta para se të nxirni enët me qëllim që të shmangni djegiet. Zbrazni raftet, duke filluar nga rafti i poshtëm.

Enëlarësja do të fiket automatikisht gjatë periudhave të gjata të mospërdorimit me qëllim që të ulët konsumi i energjisë elektrike. Nëse enët janë vetëm pak të pista ose janë shpëlarë me ujë para se t'i vendosni në enëlarësen, ulni sasinë e detergjentit të përdorur.

NDRYSHIMI I PROGRAMIT AKTUAL

Nëse keni zgjedhur një program të gabuar, mund ta ndryshoni, me kusht që sapo ka filluar: hapni derën, shtypni dhe mbani të shtypur butonin **Ndiz-Fik**, enëlarësja do të fiket. Ndizni përsëri enëlarësen duke shtypur butonin **Ndiz-Fik** dhe zgjidhni ciklin e ri të larjes dhe opsionet e tjera të dëshiruara; Nisni ciklin e ri duke shtypur butonin **FILLIM/Pushim** dhe duke mbyllur derën brenda 4 sekondave.

SHTIMI I ENËVE SHITESË

Pa fikur enëlarësen, hapni derën (drita LED **FILLIMI/Pushim** fillon të pulsojë) (**kini kujdes nga avulli I NXEHTË!**) dhe vendosni enët në enëlarësen. Shtypni butonin **FILLIM/Pushim** dhe mbyllni derën brenda 4 sekondave, cikli do të vazhdojë nga momenti i ndërprerjes.

NDËRPRERJET E RASTËSISHTME

Nëse dera mbetet e hapur gjatë ciklit të larjes ose nëse ndodh një ndërprerje e energjisë elektrike, cikli do të ndalet. Shtypni butonin **FILLIM/Pushim** dhe mbyllni derën brenda 4 sekondave, cikli do të vazhdojë nga momenti i ndërprerjes.

KËSHILLAT DHE REKOMANDIMET

REKOMANDIMET

Para se të ngarkoni shportat, hiqni të gjitha pjesët e mbetura të ushqimit nga enët dhe zbrazni gotat. Nuk ka nevojë që ta shpëlani praktikisht me ujë të rrjedhshëm.

Vendosni enët në mënyrë që të qëndrojnë fort në vend dhe që të mos rrëshqasin; vendosni enët me vrimat e kthyer nga poshtë, vendosni pjerrtas pjesët e thelluara/dala, në mënyrë që uji të arrijë të gjitha sipërfaqet dhe të rrjedhë lirisht.

Paralajmërimi: mbulesat, dorezat, tabakatë dhe tiganët nuk parandalojnë rrotullimin e spërkatësve.

Vendosni të gjitha enët e vogla në shportën e takëmit për ngrënie.

Enët shumë të pista dhe tenxheret duhet t'i vendosni në shportën e poshtme sepse spërkatësit janë më të fortë në këtë pjesë dhe ofrojnë performanca më të mira të larjes.

Pasi keni ngarkuar pajisjen, kini kujdes që spërkatësit të rrotullohen lirisht.

ENËT E PAPËRSHTATSHME

- Enët dhe takëmi për ngrënie prej druri.
- Gotat dekorative delikate, zejtaritë artistike dhe enët antike. Dekorimi i tyre nuk është rezistent.
- Pjesët prej materiali sintetik nuk durojnë temperatura të larta.
- Enët prej bakri dhe kallaji.
- Enët e pista nga pluhuri, dylli, yndyra për lyerje ose boja e shkrimi. Ngjyrat e dekorimeve qelqore dhe pjesëve prej alumini/argjendi mund të ndryshohen dhe të zbehen gjatë procesit të larjes. Disa lloje të qelqit (psh. sendet prej kristali) mund të turbullohen pas një numri të caktuar të ciklave të larjes.

DËMTIMI I GOTAVE DHE ENËVE

- Përdorni vetëm gotat dhe enët prej porcelani për të cilat prodhuesi garanton se mund të lahen në enëlarësen.
- Përdorni një detergjent të butë për enët.
- Sapo të përfundohet cikli i larjes mblidhni gotat dhe enët nga enëlarësja.

KËSHILLAT PËR KURSIMIN E ENERGJISË

- Kur enëlarësja përdoret në përputhje me udhëzimet e prodhuesit, **larja e enëve në enëlarësen zakonisht konsumon më pak energji dhe ujë sesa larja me dorë.**
- Për të rritur efikasitetin e enëlarëses, ju rekomandojmë që të **nisni ciklin e larjes kur të ngarkohet plotësisht enëlarësja**. Ngarkimi i enëlarëses deri në kapacitetin e caktuar nga prodhuesi do të kontribuojë në kursimin e energjisë dhe ujit. Informacionet rreth ngarkimit të rregullt të enëve mund t'i gjeni në kapitullin NGARKIMI I RAFTEVE.

Në rast të ngarkimit të pjesshëm, rekomandohet përdorimi i opsionit të përshtatshëm të larjes, nëse ekzistojnë (Half load/Zone Wash/Multizone), duke ngarkuar vetëm raftet e zgjedhura. Ngarkimi i parregullt ose mbingarkimi i enëlarëses mund të rrisë konsumin e resurseve (siç janë ujë, energji elektrike dhe kohë, si edhe nivelin e zhurmës), duke ulur performancat e pastrimit dhe tharjes.

- Shpëlarja paraprake me dorë e enëve shkakton konsumin e shtuar të ujit dhe energjisë elektrike dhe nuk rekomandohet.

HIGJIENA

Për të shmangur krijimin e aromave të pakëndshme dhe depozitave në enëlarësen, **ndizni të paktën një herë në muaj programin me temperaturën e lartë**. Përdorni një lugë çaji të detergjentit dhe ndizni programin pa vendosur enët për të pastruar pajisjen.

KUJDESI DHE MIRËMBAJTJA

PASTRIMI I SISTEMIT TË FILTRAVE

Pastroni rregullisht filtrat që të mos bllokohen dhe që ujërat e zeza të shkarkohen në mënyrë të rregullt.

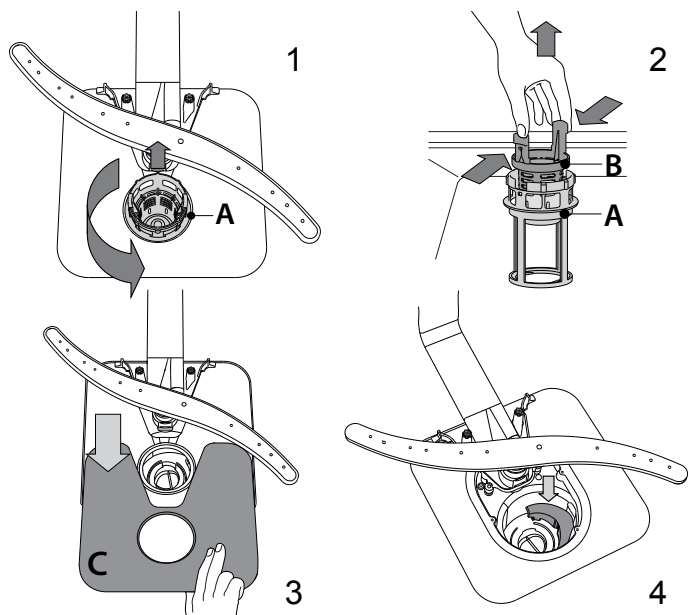
Përdorimi i enëlarësës me filtrat e bllokuar ose sendet e huaja brenda sistemit të filtrimit ose spërkatësve mund të shkaktojë prishjen e pajisjes dhe të rezultojë me humbjen e performancave, punën e zhurmshe ose konsumin më të lartë të resurseve.

Sistemi i filtrave përbëhet prej tre filtrash të cilët heqin pjesët e mbetura të ushqimit nga uji për larje dhe mundësojnë riqarkullimin e ujit.

Enëlarësja nuk duhet të përdoret pa filtra ose në raste kur filtri është i lirshëm.

Kontrolloni sistemin e filtrave të paktën një herë në muaj ose pas çdo 30 ciklave, dhe nëse ka nevojë pastrojeni atë hollësisht me ujë, duke përdorur furçën jometalike dhe duke ndjekur udhëzimet e mëposhtme:

1. Rrotulloni filtrin cilindrik **A** në drejtim të kundërt të akrepave të sahatit dhe nxirreni jashtë atë (imazhi 1).
2. Hiqni filtrin konik **B** duke shtypur lehtë krahët anësorë (imazhi 2).
3. Nxirrni filtrin e sheshtë prej çeliku të pandryshkshëm **C** (imazhi 3).
4. Nëse gjeni ndonjë send të huaj (siç janë qelq i thyer, porcelan, kocka, fara frutash etj.) **hiqini ata me kujdes**.
5. Kontrolloni filtrat dhe hiqni të gjitha pjesët e mbetura të ushqimit. **KURRË MOS HIQNI** mbrojtjen e pompës për ciklin e larjes (pjesa e zezë) (imazhi 4).



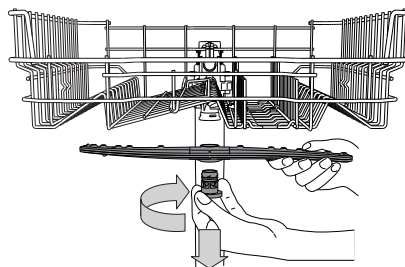
Pas pastrimit të filtrit, rivendosni filtrat dhe shtrëngojeni në mënyrë të rregullt; kjo është e nevojshme për punën e efikasë të enëlarësës.

PASTRIMI I ZORRËS SË FURNIZIMIT ME UJË

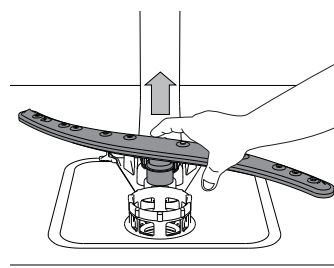
Nëse zorrët e ujit janë të reja ose nuk janë përdorur për një periudhë të gjatë, lini që uji të kalojë nëpër to me qëllim që të siguroheni se janë të pastra dhe të pastrohen nga papastërtitë para se të lidhen. Nëse nuk bëni këtë masë paraprake, furnizimi me ujë mund të bllokohet dhe të dëmtojë enëlarësen.

PASTRIMI I SPËRKATËSVE

Kohë pas kohe, pjesët e mbetura të ushqimit mund të thahen në spërkatësit dhe në këtë mënyrë bllokojnë vrimat që përdoren për spërkatjen e ujit. Prandaj ju rekomandojmë që të kontrolloni periodikisht spërkatësit dhe t'i pastroni me një furçë të vogël jometalike.



Për të hequr spërkatësin e sipërm, rrotulloni unazën plastike bllokuese në drejtim të kundërt të akrepave të sahatit. Spërkatësi i sipërm duhet të zëvendësohet në mënyrë që ana me më shumë vrima të kthehet nga lart.



Mund të hiqni spërkatësin e poshtëm duke e tërhequr lart.

SISTEMI I ZBUTJES SË UJIT

Zbutësi i ujit ul automatikisht fortësinë e ujit duke parandaluar grumbullimin e gëlqeres në ngrohësin, dhe gjithashtu kontribuon në efikasitetin më të mirë të pastrimit.

Ky sistem vetë-rigjenerohet me kripë, dhe prandaj duhet të mbushni kutinë e kripës kur është e zbrazët.


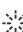
Shpeshësia e rigjenerimit varet nga konfigurimi i nivelit të fortësisë së ujit. Rigjenerimi zhvillohet njëherë në 6 cikla Eco me nivelin e konfiguruar të fortësisë së ujit në 3.

Procesi i rigjenerimit fillon në shpëlarjen përfundimtare dhe përfundon në fazën e tharjes, para se të përfundojë cikli.

- Rigjenerimi individual i konsumon: ~3.5L ujë;
- Nevojiten deri 5 minuta shtesë për ciklin;
- Konsumon nën 0.005 kWh energji.

ZGJIDHJA E PROBLEMIT

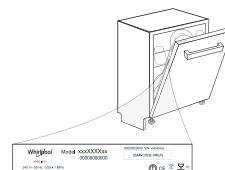
Nëse enëlarësja juaj nuk punon në mënyrë të rregullt, kontrolloni nëse mund të zgjidhni problemin me anë të listës së mëposhtme. Për gabimet ose problemet e tjera kontaktoni shërbimin e autorizuar të shitjes detajet e kontaktit të cilin mund t'i gjeni në librezën e garancisë. Pjesët rezervë do të jenë në dispozicion për një periudhë nga 7 deri 10 vjet, në përputhje me Kërkesat rregulluese.

PROBLEMET	SHKAQET E MUNDURA	ZGJIDHJET
 Treguesi i kripës është nderur.	Kutia e kripës është e zbrazët. (Pas rimbushjes, treguesi i kripës mund të mbetet i nderur gjatë disa ciklave të larjes).	Rimbushni kutinë e kripës (për më shumë informacione shihni faqen 2). Konfigurimi i fortësisë së uji - shihni tabelën në faqen 2.
 Treguesi i mjetit për shpëlarje është nderur.	Kutia e mjetit për shpëlarje është e zbrazët. (Pas rimbushjes, treguesi i mjetit për shpëlarje mund të mbetet i nderur gjatë disa ciklave të larjes).	Rimbushni kutinë e kripës (për më shumë informacione shihni faqen 2).
Enëlarësja nuk do të fillojë të punojë ose nuk reagon ndaj komandave.	Pajisja nuk është lidhur mirë në furnizimin me energji elektrike.	Vendosni kabllon elektrike në prizën elektrike.
	Nuk ka energji elektrike.	Për arsye sigurie, enëlarësja nuk do të fillojë të punojë automatikisht pas rikthimit të energjisë elektrike. Hapni derën e enëlarësës, shtypni butonin FILLIM/Pushim dhe mbyllni derën përsëri brenda 4 sekondave.
	Dera e enëlarësës nuk është mbyllur. Kunji i funksionit NaturalDry nuk është futur.	Shtypni fort derën derisa të dëgjohet një tingull "klik"
	Cikli ndërpritet kur dera hapet për më shumë se 4 sekonda.	Shtypni butonin FILLIM/Pushim dhe mbyllni derën përsëri brenda 4 sekondave.
	Nuk reagon ndaj komandave. Ekran tregon: 9 ose 12 dhe të gjitha dritat LED pulsojnë shpejt.	Fikni pajisjen duke shtypur butonin Ndiz-Fik, ndizeni përsëri atë pas një minute dhe rivendosni programin. Nëse problemi vazhdon, nxirrni kabllon elektrike për 1 minutë, dhe pastaj lidheni përsëri.
Uji nuk rrjedh nga enëlarësja. Ekran tregon: 3 dhe të dyjat dritat LED Ndiz-Fik dhe FILLIM/Pushim pulsojnë shpejt.	Cikli i larjes nuk ka përfunduar ende.	Pritni që të përfundojë cikli i larjes.
	Zorra e kullimit është përthyer.	Kontrolloni nëse është përthyer zorra e kullimit (<i>shihni UDHËZIMET E INSTALIMIT</i>).
	Zorra e kullimit të lavamanit është bllokuar.	Pastroni zorrën e kullimit të lavamanit.
	Filtri është bllokuar me pjesët e mbetura të ushqimit.	Pastroni filtrin (<i>shihni PASTRIMIN E SISTEMIT TË FILTRAVE</i>).
Enëlarësja bën zhurmë të jashtëzakonshme.	Enët përplasen njëri me tjetrin.	Ndani enët në mënyrë të rregullt (<i>shihni NGARKIMIN E RAFTEVE</i>).
	Krijohet shumë shumë.	Detergjenti nuk është matur mirë ose nuk është i përshtatshëm për përdorim në enëlarësen (<i>shihni MBUSHJA E KUTISË SË DETERGJENTIT</i>). Rivendosni ciklin aktual DUKE FIKUR enëlarësen, pastaj ndizeni përsëri atë, zgjidhni programin e ri dhe shtypni butonin FILLIM/Pushim dhe mbyllni derën brenda 4 sekondave. Mos shtoni detergjentin.
Enët nuk janë të pastra.	Enët nuk janë vendosur në mënyrë të rregullt.	Ndani enët në mënyrë të rregullt (<i>shihni NGARKIMIN E RAFTEVE</i>).
	Spërkatësit nuk mund të rrotullohen lirisht sepse i pengojnë enët.	Ndani enët në mënyrë të rregullt (<i>shihni NGARKIMIN E RAFTEVE</i>).
	Ciki i larjes është shumë i butë.	Zgjidhni ciklin përkatës të larjes (<i>shihni TABELËN E PROGRAMEVE</i>).
	Krijohet shumë shumë.	Detergjenti nuk është matur mirë ose nuk është i përshtatshëm për përdorim në enëlarësen (<i>shihni MBUSHJA E KUTISË SË DETERGJENTIT</i>).
	Nuk është mbyllur mirë kapaku në kutinë e mjetit për shpëlarje.	Kini kujdes që të mbyllet kapaku i kutisë së mjetit për shpëlarje.
	Filtri është i pistë ose i bllokuar.	Pastroni sistemin e filtrave (<i>shihni KUJDESIN DHE MIRËMBAJTJEN</i>).
Enëlarësja nuk merr ujë. Ekran tregon: H, 6 dhe drita LED Ndiz-Fik pulsojnë shpejt.	Nuk ka ujë në sistemin e furnizimit me ujë ose është mbyllur rubineti.	Kini kujdes që të ketë ujë në sistemin e furnizimit me ujë ose që rubineti të jetë i hapur.
	Zorra e furnizimit me ujë është përthyer.	Kini kujdes që zorra e furnizimit me ujë të mos përthyeret (<i>shihni INSTALIMIN</i>), konfiguroni përsëri programin dhe ndizeni enëlarësen.
	Sita në zorrën e furnizimit me ujë është bllokuar; duhet të pastrohet.	Pasi keni bërë kontrollimin dhe pastrimin, fikni dhe ndizeni enëlarësen dhe nisni përsëri programin e ri.
Enëlarësja mbaron shumë herët ciklin. Ekran tregon: 15 dhe drita LED Ndiz-Fik pulsojnë shpejt.	Zorra e kullimit është vendosur shumë ulët ose sifonimi shkon në sistemin e kanalizimit të shtëpisë.	Kontrolloni nëse fundi i zorrës së kullimit është vendosur në lartësinë e duhur (<i>shihni INSTALIMIN</i>). Kontrolloni nëse sifonimi shkon në sistemin e kanalizimit të shtëpisë, nëse ka nevojë instaloni ventilin për furnizimin me ajër.
	Ajër në furnizimin me ujë.	Kontrolloni nëse furnizimi me ujë rrjedh ose problemet e tjera lënë ajrin brenda.
Rrjedhja e detergjentit.	Varet nga lloji i detergjentit të lëngshëm që përdoret dhe mund të theksohet nëse aktivizohet opsioni i vonimit.	Rrjedhjet e vogla nuk çojnë në keqfunksionimin e makinës. Ato mund të shmangen duke ndryshuar llojin e detergjentit të lëngshëm ose duke përdorur tableta.

Udhëzimet, dokumentacionet standarde dhe informacionet shtesë mund të gjenden:

- Duke përdorur kodin QR
- Në faqen tonë të internetit docs.whirlpool.eu/docs dhe parts-selfservice.europeanappliances.com
- Gjithashtu, mund të kontaktoni shërbimin tonë të shitjes (numri telefonik gjendet në librezën e garancisë). Kur kontaktoni shërbimin tonë të shitjes për klientët, ju lutemi të lexoni shifrat të cilat gjenden në pllakëzën identifikuese të produktit tuaj.

Informacionet rreth modelit mund t'i shkarkoni duke përdorur kodin QR të shkruar në shenjë energjetike. Shenja përfshin edhe identifikuesin e modelit që mund të përdoret për kontrollimin e regjistrimit në portalin, në adresën <https://eprel.ec.europa.eu>.



UPUTSTVO ZA SVAKODNEVNU UPOTREBU



HVALA ŠTO STE KUPILI PROIZVOD KOMPANIJE WHIRLPOOL. Kako biste dobili kompletniju podršku, molimo da registrujete Vaš uređaj na: www.whirlpool.eu/register

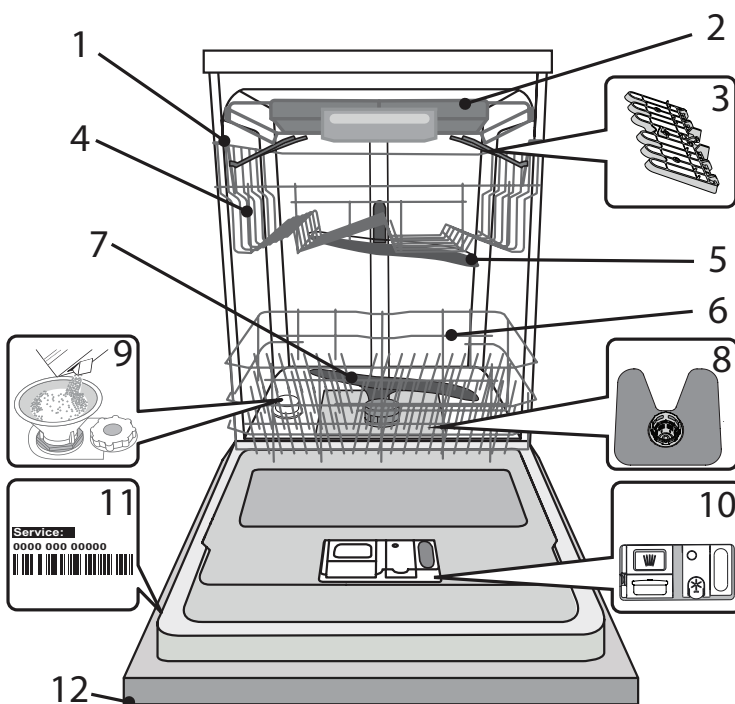
SKENIRAJTE QR KOD NA SVOM UREĐAJU DA BISTE DOBILI DETALJNIJE INFORMACIJE



Pre korišćenja uređaja pažljivo pročitajte Bezbednosna Uputstva.

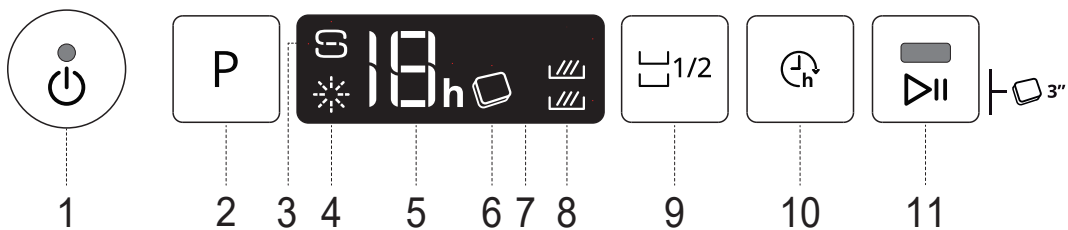
OPIS PROIZVODA

UREĐAJ



1. Gornja korpa
2. Polica za pribor za jelo
3. Sklopiva krilca
4. Podešivač visine gornje korpe
5. Gornja prskalica
6. Donja korpa
7. Donja prskalica
8. Sklop filtera
9. Rezervoar za so
10. Posude za deterdžent i sredstvo za ispiranje
11. Natpisna pločica
12. Kontrolna tabla

KONTROLNA TABLA



1. Dugme za uključivanje-isključivanje/ponovno podešavanje sa svetlosnim indikatorom
2. Dugme za izbor programa
3. Svetlosni indikator za dopuna soli
4. Svetlosni indikator za sredstvo za ispiranje
5. Broj programa in indikator zakasnitve
6. Svetlosni indikator za Tabletu (Tab)
7. Ekran
8. Svetlosni indikator za Polupuno
9. Dugme za Polupuno
10. Dugme za Odlaganje
11. Dugme za POČETAK/Pauza sa svetlosnim indikatorom / Tableta (Tab)

PRVA UPOTREBA

SO, SREDSTVO ZA ISPIRANJE I DETERDŽENT

SAVETI U VEZI SA PRVOM UPOTREBOM

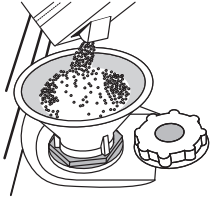
Nakon ugradnje, uklonite zapašaće sa korpi i elastične elemente za zadržavanje sa gornje korpe.

PUNJENJE REZERVOARA ZA SO

Upotreba soli sprečava stvaranje KAMENCA na posudu i na funkcionalnim komponentama mašine.

- Obavezno je **DA REZERVOAR ZA SO NIKADA NE BUDE PRAZAN.**
- Važno je podesiti tvrdoću vode.

Rezervoar za so se nalazi u donjem delu mašine za pranje sudova (videti OPIS PROIZVODA) i mora se puniti kada se uključi **INDIKATORSKO SVETLO DOPUNA SOLI** na kontrolnoj tabli.



1. Uklonite donju korpu i odvrnite poklopac rezervoara (u smeru suprotnom od smera kretanja kazaljki na satu).
2. **Samo prvi put kada ovo radite: napunite rezervoar za so vodom.**
3. Postavite levak (vidite sliku) i napunite rezervoar za so do ivice (oko 1 kg); nije neobičajeno da malo vode iscuri.
4. Uklonite levak i obrišite ostatke soli sa otvora.

Vodite računa da poklopac bude čvrsto zavijen, tako da deterdžent ne može da uđe u posudu tokom programa pranja (to može da ošteti omekšivač za vodu tako da se ne može popraviti).

Kad god je potrebno da dodate so, obavezno je da obavite proceduru pre početka ciklusa pranja da bi se izbegla korozija.

PODEŠAVANJE TVRDOĆE VODE

Da bi omekšivač za vodu radio kako treba, neophodno je da tvrdoća vode bude podešena na osnovu stvarne tvrdoće vode u vašoj kući. Ove informacije možete dobiti od lokalnog snabdevača vodom.

Podrazumevana vrednost tvrdoće vode se fabrički podešava.

- Uključite uređaj pritiskom na dugme **UKLJUČI/ISKLJUČI.**
- Isključite uređaj pritiskom na dugme **UKLJUČI/ISKLJUČI.**
- Zadržite dugme **P** 5 sekundi, dok se ne začuje zvučni signal.
- Uključite uređaj pritiskom na dugme **UKLJUČI/ISKLJUČI.**
- Uključeni su i broj nivoa trenutnog biranja i svetlosni indikator za so.
- Pritisnite taster **P** za izbor željene tvrdoće vode (videti **TABELU TVRDOĆE VODE**).

Tabela tvrdoće vode				
	Nivo	°dH nemački stepeni	°fH francuski stepeni	°Clark engleski stepeni
1	Meka	0 - 6	0 - 10	0 - 7
2	Srednja	7 - 11	11 - 20	8 - 14
3	Prosečna	12 - 16	21 - 29	15 - 20
4	Tvrda	17 - 34	30 - 60	21 - 42
5	Veoma tvrda	35 - 50	61 - 90	43 - 62

- Isključite uređaj pritiskom na dugme **UKLJUČI/ISKLJUČI**

Podešavanje je završeno!

Čim se ovaj postupak završi, pokrenite program bez punjenja.

Koristite samo so koja je posebno napravljena za mašine za pranje sudova.

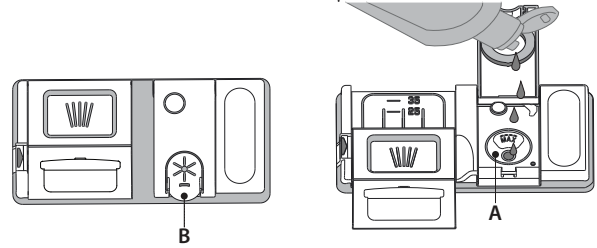
Nakon što sipate so u mašinu, svetlosni indikator za DOPUNA SOLI se isključuje.

Ako rezervoar za so nije pun, može doći do oštećenja omekšivača vode i grejača usled nagomilavanja kamenca.

Korišćenje soli se preporučuje sa bilo kojom vrstom deterdženta za mašinu za pranje sudova.

PUNJENJE POSUDA ZA SREDSTVO ZA ISPIRANJE

Sredstvo za ispiranje olakšava SUŠENJE posuda. Posuda za sredstvo za ispiranje **A** treba da se napuni kada se upali **svetlosni indikator DOPUNA SREDSTVA ZA ISPIRANJE** na kontrolnoj tabli.



1. Otvorite posudu **B** tako što ćete pritisnuti i povući na gore jezičak na poklopcu.
2. Pažljivo sipajte sredstvo za ispiranje do oznake za maksimum (110 ml) na prostoru za punjenje - izbegavajte prosipanje. Ako se to dogodi, odmah obrišite prosuto suvom krpom.
3. Pritisnite poklopac dok se ne začuje zvuk škljocanja.

NIKADA ne sipajte sredstvo za ispiranje direktno u kadicu.

PODEŠAVANJE DOZIRANJA SREDSTVA ZA ISPIRANJE

Ako niste u potpunosti zadovoljni rezultatima sušenja, možete da podesite količinu sredstva za ispiranje koja se koristi.

- Uključite mašinu za pranje sudova pomoću dugmeta **UKLJUČI/ISKLJUČI.**
- Isključite je pomoću dugmeta **UKLJUČI/ISKLJUČI.**
- Pritisnite dugme **P** tri puta - začuje se zvučni signal.
- Uključite je pomoću dugmeta **UKLJUČI/ISKLJUČI.**
- Broj trenutno izabranog nivoa i svetlosni indikator sredstva za ispiranje trepere.
- Pritisnite dugme **P** da biste izabrali nivo količine sredstva za ispiranje koje će se koristiti.
- Isključite pomoću dugmeta **UKLJUČI/ISKLJUČI.**

Podešavanje je završeno!

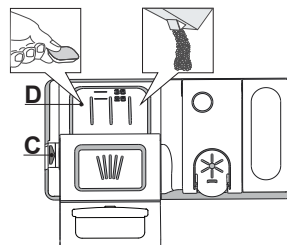
Ako je nivo sredstva za ispiranje podešen na NULU, sredstvo za ispiranje se neće koristiti. Svetlosni indikator NIZAK NIVO SREDSTVA ZA ISPIRANJE neće svetleti ako nestane sredstva za ispiranje.

Mogu se podesiti maksimalno 5 nivoa u zavisnosti od modela mašine za pranje sudova. Fabričko podešavanje zavisi od modela, sledite gorenavedena uputstva da biste proverili za svoju mašinu.

- Ako vidite plavičaste tragove na posudu, podesite nizak broj (1-2).
- Ako na posudu ima kapljica vode ili tragova kamenca, podesite visok broj (3-4).

PUNJENJE POSUDE ZA DETERDŽENT

Za otvaranje posude za deterdžent koristite uređaj za otvaranje C. Deterdžent sipajte samo u suhu posudu D. Deterdžent za pretpranje sipajte direktno u kadicu.



1. Za odmeravanje deterdženta pogledajte prethodno pomenute informacije kako biste sipali odgovarajuću količinu. U posudi **D** nalaze se oznake koje vam mogu pomoći u doziranju deterdženta.
2. Uklonite ostatke deterdženta sa ivica posuda pre nego što i zatvorite poklopac dok se ne začuje zvuk škljocanja.
3. Zatvorite poklopac posude za deterdžent povlačenjem na gore dok uređaj za zatvaranje ne bude čvrsto na mestu.

Posuda za deterdžent se automatski otvara u odgovarajućem trenutku u skladu sa programom. Ako koristite deterdžente sve u jednom, preporučujemo da koristite dugme **TABLETA**, jer ono podešava program tako da se uvek postignu najbolji rezultati pranja i sušenja.

Korišćenje deterdžente koji nije namenjen za mašine za pranje sudova može da izazove kvar ili oštećenje uređaja.

TABELA SA PROGRAMIMA

Program	Faza sušenja Natural-Dry	Dostupne opcije *)	Trajanje programa za pranje (h:min)**	Potrošnja vode (litri/ciklus)	Potrošnja energije (kWh/ciklus)	
1. Eko ECO 50°	✓	✓	1/2	3:10	8,9	0,75
2. Intenzivan 65°	✓	✓	1/2	2:50	17,0	1,60
3. 6 th Sense® 50-60°	✓	✓	1/2	1:25 - 3:00	7,0 - 14,0	0,90 - 1,40
4. Brzo pranje i sušenje 50°	✓	✓	1/2	1:25	11,5	1,10
5. Brzi program 30' 50°	✗	✓		0:30	9,0	0,50
6. Tiho 50°	✓	✓		3:30	16,0	1,15
7. Sanitarna 65°	✓	✗		1:50	12,0	1,30
8. Pretpranje -	✗	✗	1/2	0:12	4,5	0,01
9. Samočišćenje 65°	✗	✗		0:50	8,0	0,85

Podaci programa EKO su mereni u laboratorijskim uslovima u skladu sa evropskim standardom EN 60436:2020. Napomena za laboratorije za testiranje: za informacije na uslove komparativnog ispitivanja EN, pogledajte adresa: dw_test_support@europeanappliances.com
Prethodno tretiranje posuđa nije potrebno ni za jedan program.

*) Ne mogu se sve opcije koristiti istovremeno.

***) Vrednosti koje su date za programe koji nisu Eko program su samo pokazne. Stvarno vreme može da varira u zavisnosti od mnogih faktora kao što su temperatura, količina deterdženta, količina i vrsta posuđa, balansiranje posuđa, dodatne izabrane opcije i kalibracija senzora. Kalibracija senzora može da poveća trajanje programa do 20 min.

OPIS PROGRAMA

Uputstva za biranje ciklusa pranja.

1 EKO

Eko program je podesan za pranje umereno zaprljanog posuđa, i u tu svrhu je ovo najefikasniji program u pogledu kombinovane potrošnje energije i vode i da se koristi za procenu usklađenosti sa propisima EU za ekološki dizajn.

2 INTENZIVAN

Program preporučen za jako zaprljano posuđe, naročito za tiganje i šerpe (ne koristiti za osetljivo posuđe).

3 6th SENSE®

Za normalno zaprljano posuđe sa sasušanim ostacima hrane. Detektuje nivo zaprljanosti posuđa i prema tome prilagođava program.

4 BRZO PRANJE I SUŠENJE

Normalno zaprljano keramičko posuđe. Ciklus za svakodnevnu upotrebu, koji obezbeđuje optimalne performanse čišćenja i sušenja za kraće vreme.

5 BRZI PROGRAM 30'

Program za korišćenje sa polupunom mašinom ili sa blago zaprljanim posuđem bez sasušanih ostataka hrane. Nema faze sušenja.

6 TIHO

Pogodno za korišćenje uređaja tokom noći. Obezbeđuje optimalne performanse čišćenja i sušenja sa najnižom emisijom buke.

7 SANITARNA

Normalno ili jako zaprljano posuđe, sa dodatnim antibakterijskim pranjem. Može se koristiti za obavljanje održavanja mašine za pranje posuđa.

8 PRETPRANJE

Koristi se za osvežavanje keramičkog posuđa koje će se kasnije oprati. Za ovaj program se ne koristi deterdžent.

9 SAMOČIŠĆENJE

Program koji se koristi za održavanje mašine za pranje posuđa, obavljati samo kada je mašina za pranje sudova PRAZNA uz korišćenje posebnih deterdženata predviđenih za održavanje mašine za pranje sudova.

Napomene:

Imajte u vidu da je ciklus *Brzi program 30'* namenjen za blago zaprljano posuđe.

OPCIJE I FUNKCIJE

OPCIJE se mogu direktno odabrati pritiskom na odgovarajuće dugme (videti KONTROLNU TABLU).

Ako opcija ne odgovara izabranom programu videti TABELU SA PROGRAMIMA, odgovarajuće LED svetlo će brzo da zatreperi 3 puta i oglašiće se zvučni signal. Opcija neće biti omogućena.

1/2 POLUPUNO

Ako nema puno posuđa za pranje, može se koristiti opcija za polupunu mašinu radi uštede vode, električne energije i deterdženta. Izaberite program, a zatim pritisnite dugme POLUPUNO: svetlosni indikator će zasvetleti. Pritisnite dugme POLUPUNO da poništite biranje ove opcije.

Vodite računa da količinu deterdženta duplo smanjite.

ODLAGANJE

Početak programa se može odložiti za vremenski period između 1 i 12 sati.

1. Pritisnite dugme ODLAGANJE: odgovarajući simbol «h» se pojavljuje na ekranu; svaki put kada pritisnete dugme, vreme (1 sat, 2 sata itd. do maks. 12 sati) početka izabranog ciklusa pranja će se povećavati.
2. Izaberite program za pranje, pritisnite dugme POČETAK/Pauza i u roku od 4 sekunde zatvorite vrata: tajmer će početi sa odbrojavanjem.
3. Kada ovo vreme istekne, svetlosni indikator «h» se isključuje i ciklus pranja počinje.

Da biste podesili vreme odlaganja i izabrali kraći period, pritisnite dugme ODLAGANJE. Da biste ga otkazali, pritisnite dugme nekoliko puta dok se svetlosni indikator odloženog početka «h» ne isključuje.

Funkcija ODLAGANJE se ne može podesiti kada program počne.

TABLETA (Tab)

Ova postavka vam omogućava da optimizujete performanse programa u zavisnosti od vrste deterdženta koji koristite. Dugme POČETAK/Pauza držite pritisnuto 3 sekunde (odgovarajući simbol će zasvetleti) ukoliko koristite kombinovane deterdžente u obliku tablete (sredstvo za ispiranje, so i deterdžent u jednoj dozi).

Ukoliko koristite deterdžent u prahu ili tečni deterdžent, ova opcija treba da bude isključena.

NaturalDry

NaturalDry je sistem konvekcionog sušenja koji automatski otvara vrata tokom/nakon faze sušenja i koji svakodnevno obezbeđuje izvanredne performanse sušenja. Vrata se otvaraju na temperaturi koja je bezbedna za vaš kuhinjski nameštaj.

Radi dodatne zaštite od pare, mašini je dodata posebno dizajnirana zaštitna folija. Da biste videli kako da instalirate zaštitnu foliju, pogledajte (UPUTSTVO ZA INSTALACIJU).

Korisnik može da onemogući rad *NaturalDry* na sledeći način:

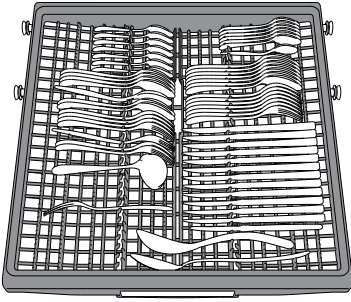
1. Idite na meni softvera mašine za sudove pritiskom na dugme **P** (6 sek.).
2. Prešli ste meni *NaturalDry* Control (Kontrola *NaturalDry*), možete promeniti status rada *NaturalDry* pritiskom na dugme **P**:

E – omogućeno **d** – onemogućeno

Da biste potvrdili promenu i izašli iz menija Control (Kontrola), pritisnite i zadržite dugme **P** (3 sek.).

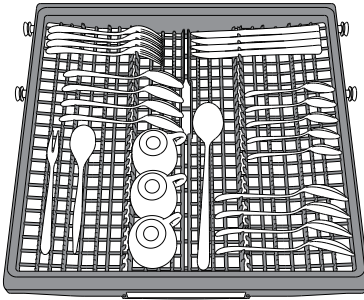
PUNJENJE KORPI

POLICA ZA PRIBOR ZA JELO



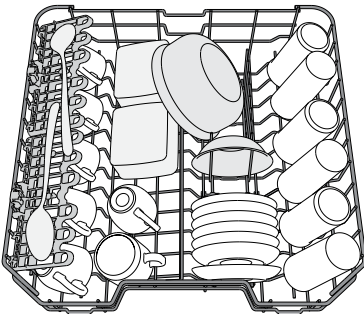
Treća korpa je namenjena za postavljanje pribora. Pribor postavite kao što je prikazano na slici. Odvajanje pribora prilikom postavljanja čini sakupljanje nakon pranja lakšim i poboljšava performanse pranja i sušenja.

Noževi i drugi pribor sa oštrim ivicama se mora postaviti sa oštrima okrenutim na dole.



Geometrija korpe omogućava postavljanje sitnih predmeta, kao što su šolje za kafu, u središnju oblast.

GORNJA KORPA



(primer punjenja gornje korpe)

Stavite osetljivo i lako posuđe: čaše, šolje, tacne, plitke posude za salatu.

PODEŠAVANJE VISINE GORNJE KORPE

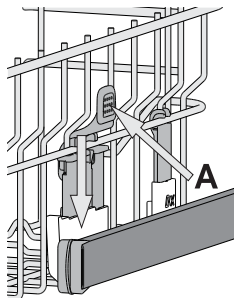
Visina gornje korpe se može podesiti: visoki položaj za postavljanje velikog posuđa u donju korpu i nizak položaj za maksimalno korišćenje držača koji se pomeraju, tako što se stvara više prostora na gore i izbegava sudaranje sa sudovima iz donje korpe.

Gornja korpa ima **Podešivač visine gornje korpe** (vidite sliku), bez pritiskanja ručica, jednostavno podignite držeći korpu sa strane, čim se korpa stabilno namesti u viši položaj.

Da biste vratili na niži položaj, pritisnite ručice **A** koje se nalaze na stranama korpe i pomerite korpu na dole.

Preporučujemo da ne podešavate visinu korpe kada je napunjena.

NIKADA ne podižite niti spuštajte samo jednu stranu korpe.



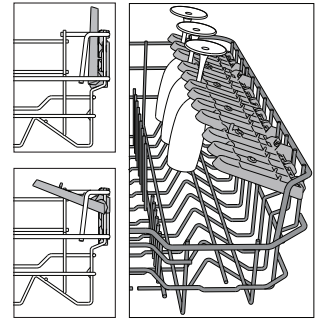
SKLOPIVA KRILCA SA PODESIVIM POLOŽAJEM

Sklopiva krilca možete da sklopite ili rasklopite i tako pronađete najbolji raspored posuđa na rešetki.

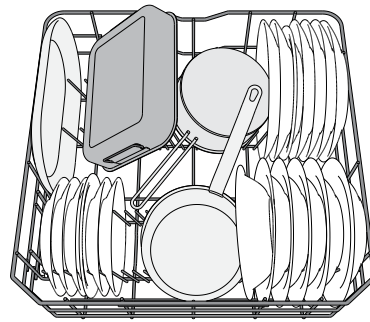
Čaše za vino se bezbedno mogu staviti u sklopiva krilca tako što se stopa svake čaše stavi u odgovarajući otvor.

Zavisno od modela:

- da biste rasklopili krilca, treba da ih gurnete nagore i okrenete ili da ih odvojite od držača i spustite nadole.
- da biste sklopili krilca, treba da ih okrenete i gurnete nadole ili nagore, pa ih zakačite za držače.



DONJA KORPA



(primer punjenja donje korpe)

Za šerpe, poklopce, tanjire, posude za salatu, pribor itd. Velike tanjire i poklopce treba stavljati sa strane, kako bi se izbeglo dodirivanje prskalica.

SVAKODNEVNA UPOTREBA

1. PROVERITE PRIKLJUČAK NA VODOVODNU MREŽU

Proverite da li je mašina za pranje sudova povezana na dovod vode i da je slavina otvorena.

2. UKLJUČITE MAŠINU ZA PRANJE SUDOVA

Otvorite vrata i pritisnite dugme **UKLJUČI/ISKLUJUČI**.

3. NAPUNITE KORPE (videti PUNJENJE KORPI)

4. PUNJENJE POSUDE ZA DETERDŽENT

(videti TABELU SA PROGRAMIMA).

5. IZABERITE PROGRAM I PRILAGODITE CIKLUS

Izaberite najprikladniji program u skladu sa vrstom posuđa i nivoom zaprljanosti (videti OPIS PROGRAMA) pritiskom na dugme **P**. Izaberite željene opcije (videti OPCIJE I FUNKCIJE).

6. POČETAK

Započnite ciklus pranja pritiskom na dugme **POČETAK/Pauza** (led svetlo je uključeno) i zatvaranjem vrata u roku od 4 sekunde. Kada program počne, začujete jedan zvučni signal. Ukoliko se vrata ne zatvore u roku od 4 sekunde, oglašava se alarm. U tom slučaju, otvorite vrata, pritisnite dugme **POČETAK/Pauza** i ponovo zatvorite vrata u roku od 4 sekunde.

7. ZAVRŠETAK CIKLUSA PRANJA

Kraj ciklusa pranja je označen zvučnim signalom i treperenjem broja ciklusa pranja na displeju. Otvorite vrata i isključite uređaj pritiskom na dugme **UKLJUČI/ISKLUJUČI**.

Sačekajte nekoliko minuta pre nego što izvadite posuđe - da biste izbegli opekotine. Ispraznite korpe, počevši sa donjom.

Mašina će se automatski isključiti tokom dužih perioda neaktivnosti, kako bi se smanjila potrošnja električne energije. Ako je posuđe samo blago uprljano ili ako ga isperete vodom pre nego što ga stavite u mašinu za pranje sudova, u skladu s tim smanjite količinu deterdženta koji koristite.

MENJANJE PROGRAMA KOJI JE U TOKU

Ako ste izabrali pogrešan program, možete da ga promenite, pod uslovom da je tek počeo: otvorite vrata, pritisnite i zadržite dugme **UKLJUČI/ISKLUJUČI** mašina će se isključiti.

Ponovo uključite mašinu pomoću dugmeta **UKLJUČI/ISKLUJUČI** i izaberite novi ciklus pranja i željene opcije; započnite ciklus pritiskom na dugme **POČETAK/Pauza** i zatvaranjem vrata u roku od 4 sekunde.

DODAVANJE DODATNOG POSUĐA

Ne isključujući mašinu, otvorite vrata (led svetlo dugmeta **POČETAK/Pauza** počinje da treperi) (**pazite se VRELE pare!**) i stavite posuđe u mašinu. Pritisnite dugme **POČETAK/Pauza** i zatvorite vrata u roku od 4 sekunde, ciklus će se nastaviti od trenutka u kom je zaustavljen.

SLUČAJNI PREKIDI

Ako su vrata otvorena tokom ciklusa pranja ili ako dođe do prekida napajanja električnom energijom, ciklus se zaustavlja. Da biste nastavili ciklus tamo gde je prekinut, pritisnite dugme **POČETAK/Pauza** i zatvorite vrata u roku od 4 sekunde.

SAVETI I PREDLOZI

SAVETI

Pre nego što napunite korpe, uklonite sve ostatke hrane sa posuđa i ispraznite čaše. **Nije potrebno da prethodno ispirate vodom.** Posuđe postavite tako da stoji čvrsto na mestu i da ne sklizne; posuđe postavite sa otvorima okrenutim na dole, a udubljene/ispupčene delove postavite koso, kako bi voda mogla da dopre do svih površina i da slobodno teče.

Upozorenje: poklopci, ručice, poslužavnici i tiganji ne sprečavaju rotiranje prskalica.

Svo malo posuđe stavite u korpu za pribor.

Veoma zaprljano posuđe i šerpe bi trebalo da stavite u donju korpu, jer su prskalice u ovom delu jače i pružaju bolje performanse pranja. Nakon što napunite uređaj, vodite računa da prskalice mogu slobodno da se rotiraju.

NEODGOVARAJUĆE POSUĐE

- Drveno posuđe i pribor.
- Osetljive ukrašene čaše, umetničke rukotvorine i antičko posuđe. Dekoracija na njima nije otporna.
- Delovi od sintetičkog materijala ne podnose visoke temperature.
- Posuđe od bakra i kalaja.
- Posuđe zaprljano pepelom, voskom, mašću za podmazivanje ili mastilom.

Boja dekoracije na staklu i komadima od aluminijuma/srebra može da se promeni i izbledi tokom procesa pranja. Neke vrste stakla (npr. kristalni predmeti) takođe mogu da se zamute nakon određenog broja ciklusa pranja.

OŠTEĆENJE ČAŠA I POSUĐA

- Koristite samo čaše i porculansko posuđe za koje proizvođač garantuje da je bezbedno za mašinsko pranje.
- Koristite blag deterdžent za posuđe
- Sakupite čaše i posuđe iz mašine za pranje sudova čim se ciklus pranja završi.

SAVETI ZA UŠTEDU ENERGIJE

- Kada se mašina za pranje sudova za domaćinstvo koristi u skladu sa uputstvima proizvođača, **pranje posuđa u mašini za pranje sudova uglavnom troši MANJE ENERGIJE i vode od ručnog pranja.**
- Da biste povećali efikasnost mašine za pranje sudova, **preporučuje se da ciklus pranja pokrenete kada se mašina za sudove u potpunosti napuni.** Punjenje mašine za pranje sudova za domaćinstvo do kapaciteta koji je naveo proizvođač će doprineti uštedi energije i vode. Informacije o pravilnom slaganju posuđa možete pronaći u poglavlju PUNJENJE KORPI. U slučaju delimične napunjenosti, preporučuje se da koristite odgovarajuće opcije za pranje, ako postoje (Half load/Zone Wash/Multizone (Polupuno/zonsko pranje/više zona)), popunjavajući samo izabrane korpe. Nepravilno punjenje ili prepunjavanje mašine za pranje sudova može da poveća potrošnju resursa (poput vode, energije i vremena, kao i da poveća nivo buke), smanjujući performanse čišćenja i sušenja.
- Ručno predispiranje komada posuđa dovodi do povećane potrošnje vode i energije i nije preporučljivo.

HIGIJENA

Da bi se izbeglo stvaranje neprijatnih mirisa i naslaga u mašini za pranje sudova, **program sa visokom temperaturom pokrenite najmanje jednom mesečno.** Koristite jednu kafenu kašičicu deterdženta i pokrenite program bez postavljanja posuđa kako biste očistili uređaj.

NEGA I ODRŽAVANJE

ČIŠĆENJE SKLOPA FILTERA

Redovno čistite sklop filtera kako se filteri ne bi zapušili i kako bi otpadna voda pravilno oticala.

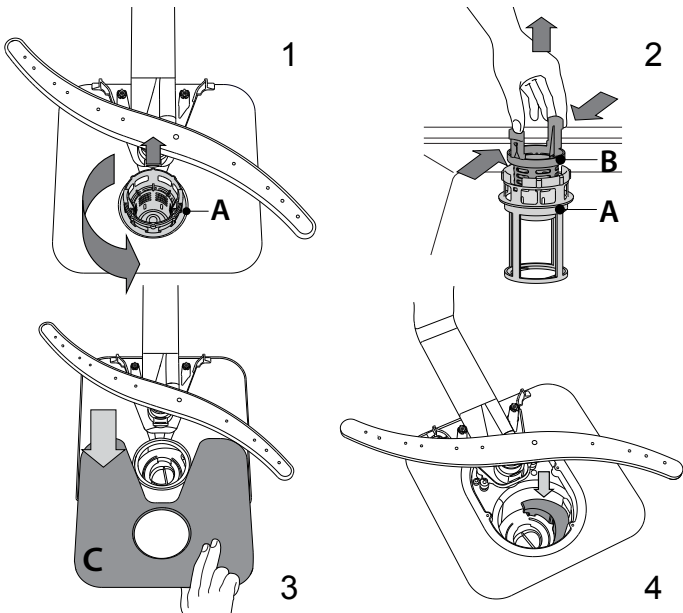
Korišćenje mašine za pranje sudova sa zapušnim filterima ili stranim predmetima unutar sistema za filtriranje ili prskalicama može dovesti do kvara uređaja i time gubitka performansi, glasnog rada ili veće potrošnje resursa.

Sklop filtera se sastoji od tri filtera koji uklanjaju ostatke hrane iz vode za pranje i omogućavaju recirkulaciju vode.

Mašina za pranje sudova se ne sme koristiti bez filtera ili ako je filter labav.

Barem jednom mesečno ili nakon svakih 30 ciklusa, proverite sklop filtera i ukoliko je potrebno detaljno ga očistite pod mlazom vode, pomoću četke koja nije metalna i sledeći uputstva navedena u nastavku:

1. Okrenite cilindrični filter **A** u smeru suprotnom od smeru kretanja kazaljki na satu i izvucite ga (slika 1).
2. Uklonite kupasti filter **B** primenom blagog pritiska na bočna krilca (slika 2).
3. Izvucite pločasti filter od nerđajućeg čelika **C** (slika 3).
4. Ukoliko pronađete strane predmete (kao što je slomljeno staklo, porcelan, kosti, semenke voća itd.) **pažljivo ih uklonite**.
5. Proverite sklopku i uklonite sve ostatke hrane. **NIKADA NE UKLANJAJTE** zaštitu pumpe za ciklus pranja (crni deo) (slika 4).



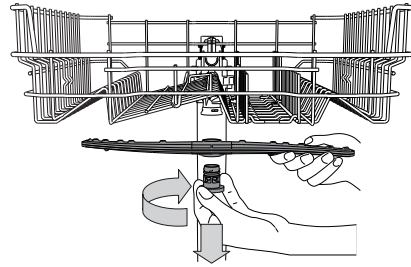
Nakon čišćenja filtera, ponovo postavite sklop filtera i pravilno ih pričvrstite na mesto; ovo je neophodno za efikasan rad mašine za pranje sudova.

ČIŠĆENJE CREVA ZA DOVOD VODE

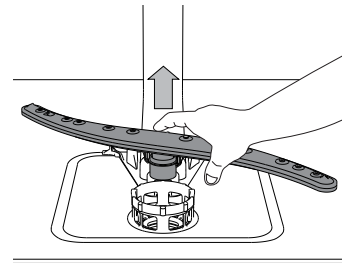
Ako su creva za vodu nova ili neko vreme nisu korišćena, pustite vodu kroz njih da biste bili sigurni da su čista i da bi se očistila od nečistoća pre nego što se povežu. Ako ne obavite ovu meru opreza, dovod vode se može blokirati i oštetiti mašinu za pranje sudova.

ČIŠĆENJE PRSKALICA

Povremeno, ostaci hrane mogu da se score na prskalicama i tako blokiraju otvore za prskanje vode. Stoga se preporučuje da povremeno proveravate prskalice i čistite ih malom četkom koja nije od metala.



Da biste uklonili gornju prskalicu, okrenite plastični prsten za zaključavanje u smeru kretanja kazaljki na satu. Gornja prskalica se ponovo postavlja tako da strana sa više otvora bude okrenuta na gore.



Donju prskalicu možete ukloniti tako što ćete je povući na gore.

SISTEM ZA OMEKŠAVANJE VODE

Omekšivač vode automatski smanjuje tvrdoću vode i time sprečava nakupljanje kamenca na grejaču, čime takođe doprinosi efikasnijem čišćenju.

Ovaj sistem sam sebe regeneriše pomoću soli, te je stoga obavezno da dopunite rezervoar za so kada je prazan.



Učestalost regeneracije zavisi od postavke nivoa tvrdoće vode – regeneracija se odvija jednom u 6 Eko ciklusa kada je nivo tvrdoće vode podešen na 3.

Proces regeneracije počinje sa poslednjim ispiranjem i završava se u fazi sušenja, pre završetka ciklusa.

- Jedna regeneracija troši: ~3,5 l vode;
- Produžava ciklus za još 5 minuta;
- Troši ispod 0,005 kWh energije

OTKLANJANJE PROBLEMA

Ukoliko vaša mašina za pranje sudova ne radi pravilno, proverite da li je moguće rešiti problem pomoću sledeće liste. Za ostale greške ili probleme obratite se ovlašćenom postprodajnom servisu čije detalje za kontakt možete pronaći u garantnoj knjižici. Rezervni delovi su dostupni u periodu od 7 do 10 godina, u skladu sa posebnim zahtevima odredbe.

PROBLEMI	MOGUĆI UZROCI	REŠENJA
 Indikator za so je upaljen	Rezervoar za so je prazan. (Nakon dopune, indikator za so može da ostane upaljen još nekoliko ciklusa pranja).	Dopunite rezervoar solju (više informacija potražite na 2. strani). Prilagođavanje tvrdoće vode – pogledajte tabelu na 2. strani.
 Indikator sredstva za ispiranje je upaljen	Rezervoar za sredstvo za ispiranje je prazan. (Nakon dopune, indikator za sredstvo za ispiranje može da ostane upaljen još nekoliko ciklusa pranja).	Dopunite posudu sredstvom za ispiranje (više informacija potražite na 2. strani).
Mašina za pranje sudova neće da se pokrene ili ne reaguje na komande.	Uređaj nije pravilno uključen u strujno napajanje.	Umetnite utikač u utičnicu.
	Nema električne energije.	Iz bezbednosnih razloga, mašina za pranje sudova se neće automatski ponovo pokrenuti kada dođe do povraćaja električne energije. Otvorite vrata mašine za pranje sudova, pritisnite dugme POČETAK/PAUZU i zatvorite vrata u roku od 4 sekunde.
	Vrata mašine za pranje sudova nisu zatvorena. NaturalDry pin nije uvučen.	Snažno gurnite vrata dok se ne začuje zvuk „kliktanja“.
	Ciklus je prekinut otvaranjem vrata na > 4 sekunde.	Pritisnite dugme POČETAK/PAUZU i zatvorite vrata u roku od 4 sekunde.
Voda ne otiče iz mašine za pranje sudova. Ekran prikazuje: 3 i LED svetlo dugmeta Uključi/isključi brzo treperi	Ne reaguje na komande. Ekran prikazuje: 9 ili 12 i LED svetlo dugmeta Uključi/isključi brzo treperi	Isključite uređaj pritiskom na dugme UKLJUČI/ISKLJUČI, nakon jednog minuta ga ponovo uključite i ponovo pokrenite program. Ukoliko se problem nastavi, izvucite utikač uređaja na 1 minut, a zatim ga ponovo utaknite.
	Ciklus pranja se još nije završio.	Sačekajte da se ciklus pranja završi.
	Crevo za odvod je savijeno. Odvodna cev sudopere je blokirana. Filter je zapušten ostacima hrane	Proverite da li je crevo za odvod savijeno (<i>videti UPUTSTVA ZA UGRADNJU</i>). Očistite odvodnu cev sudopere. Očistite filter (<i>videti ČIŠĆENJE SKLOPA FILTERA</i>).
Mašina za pranje sudova proizvodi neobičajenu buku.	Sudovi udaraju jedan o drugi.	Pravilno poredajte posuđe (<i>videti PUNJENJE KORPI</i>).
	Proizvodi se previše pene.	Deterdžent nije pravilno odmeren ili nije pogodan za korišćenje u mašini za pranje sudova (<i>videti PUNJENJE POSUDE ZA DETERDŽENT</i>). Ponovo pokrenite trenutni ciklus tako što ćete ISKLJUČITI mašinu za pranje posuđa, a zatim je ponovo uključiti, odabrati novi program, pritisnuti dugme POČETAK/PAUZU i zatvoriti vrata u roku od 4 sekunde. Nemojte dodavati deterdžent.
Posuđe nije čisto.	Posuđe nije pravilno postavljeno.	Pravilno poredajte posuđe (<i>videti PUNJENJE KORPI</i>).
	Prskalice ne mogu slobodno da se okreću, jer ih zaustavlja posuđe.	Pravilno poredajte posuđe (<i>videti PUNJENJE KORPI</i>).
	Ciklus pranja je previše blag.	Izaberite odgovarajući ciklus pranja (<i>videti TABELU SA PROGRAMIMA</i>).
	Proizvodi se previše pene.	Deterdžent nije pravilno odmeren ili nije pogodan za korišćenje u mašini za pranje sudova (<i>videti PUNJENJE POSUDE ZA DETERDŽENT</i>).
	Poklopac na odeljku za sredstvo za ispiranje nije pravilno zatvoren.	Vodite računa da poklopac posude za sredstvo za ispiranje bude zatvoren.
	Filter je zaprljan ili zapušten.	Očistite sklop filtera (<i>videti ČUVANJE I ODRŽAVANJE</i>).
Mašina za pranje sudova ne prima vodu. Ekran prikazuje: H, 6 i LED svetlo dugmeta Uključi/isključi brzo treperi	Nema soli.	Napunite rezervoar za so (<i>videti PUNJENJE REZERVOARA ZA SO</i>).
	Nema vode u sistemu za dovod vode ili je slavina zatvorena.	Vodite računa da ima vode u sistemu za dovod vode ili da je slavina odvrnuta.
	Crevo za dovod vode je savijeno.	Vodite računa da crevo za dovod ne bude savijeno (<i>videti POSTAVLJANJE</i>), ponovo podesite program i pokrenite mašinu za pranje sudova.
Mašina za pranje sudova prerano završava ciklus. Ekran prikazuje: 15 i LED svetlo dugmeta Uključi/isključi brzo treperi	Sito u crevu za dovod vode je zapušeno; neophodno je očistiti ga	Nakon što obavite proveru i čišćenje, isključite i uključite mašinu za pranje sudova i ponovo pokrenite novi program.
	Crevo za odvod je postavljeno prenisko ili odvod sifona ide u sistem kućne kanalizacije	Proverite da li je kraj creva za odvod postavljen na odgovarajućoj visini (<i>videti POSTAVLJANJE</i>). Proverite da li odvod sifona ide u sistem kućne kanalizacije, po potrebi ugradite ventil za dovod vazduha.
Curenje deterdženta.	Vazduh u dovodu vode.	Proverite da li dovod vode curi ili drugi problemi propuštaju vazduh unutra.
	Zavis od tečnog deterdženta koji se koristi i može da se pojača u slučaju da se aktivira opcija odlaganja.	Mala curenja neće izazvati kvar mašine i mogu da se spreče zamenom tipa tečnog deterdženta ili upotrebom tableta.

Smernice, standardna dokumentacija, poručivanje rezervnih delova i dodatne informacije o proizvodu se mogu naći putem:

- Pomoću QR koda na vašem uređaju.
- Našeg veb-sajta docs.whirlpool.eu/docs i parts-selfservice.europeanappliances.com
- Takođe, možete **kontaktirati naš postprodajni servis** (broj se nalazi u garantnoj knjižici).
Prilikom kontaktiranja našeg postprodajnog servisa, navedite šifru koja se nalazi na pločici za identifikaciju proizvoda.

Informacije o modelu se mogu preuzeti pomoću QR koda navedenog na energetske oznaci. Oznaka uključuje i identifikator modela koji može da se upotrebi za proveru registracije na portalu, na adresi <https://eprel.ec.europa.eu>.

