

**Operating instructions  
and  
installation manual**

**KitchenAid**



<b>Important safety instructions</b>	<b>4</b>
<b>Safeguarding the environment</b>	<b>5</b>
<b>Electrical connection for Great Britain and Ireland only</b>	<b>5</b>
<b>Energy-saving tips</b>	<b>6</b>
<b>Before using the appliance</b>	<b>6</b>
<b>Precautions and general recommendations</b>	<b>6</b>
<b>Cleaning, sanitization and maintenance of the ice and/or water dispenser (if present)</b>	<b>7</b>
<b>Installation requirements</b>	<b>8</b>
<b>Technical specifications</b>	<b>9</b>
<b>Installation</b>	<b>9</b>
<b>Foreword</b>	<b>14</b>
<b>First use</b>	<b>15</b>
<b>Troubleshooting guide</b>	<b>17</b>
<b>After-sales service</b>	<b>18</b>

**Important safety instructions** Original instructions are the ones in English language. All other instructions in different languages have been translated from the original version.

• **WARNING:** to avoid a hazard due to instability, positioning or fixing of the appliance must be done in accordance with the manufacturer instructions.

• **WARNING:** keep the appliance ventilation openings clear of obstruction.

• **WARNING:** do not damage the appliance refrigerant circuit pipes.

• **WARNING:** Do not use mechanical, electric or chemical means other than those recommended by the Manufacturer to speed up the defrost process.

• **WARNING:** Do not use or place electrical devices inside the appliance compartments if they are not of the type expressly authorised by the Manufacturer.

**Information:** This appliance does not contain CFCs. The refrigerant circuit contains R134a (see the rating plate inside the appliance).

• This product may contain Fluorinated Greenhouse Gases covered by the Kyoto Protocol; the refrigerant gas is inside a hermetically sealed system. Refrigerant gas: R134a has a Global Warming Potential of (GWP) 3210.

• C-Pentane is used as blowing agent in the insulation foam and it is a flammable gas. Pay special attention during disposal operations.

• This appliance is intended to be used in household and similar applications such as

- staff kitchen areas in shops, offices and other working environments;

- farm houses and by clients in hotels, motels and other residential type environments;

- bed and breakfast type environments;

- catering and similar non-retail applications

• Do not store explosive substances such as aerosol cans with a flammable

propellant in this appliance.

• This appliance can be used by children aged from 8 years and above and persons with reduced physical, sensory or mental capabilities or lack of experience and knowledge if they have been given supervision or instruction concerning use of the appliance in a safe way and understand the hazards involved.

• Cleaning and user maintenance shall not be made by children without supervision.

• To avoid the risk of children becoming trapped and suffocating, do not allow them to play or hide inside the appliance.

• It must be possible to disconnect the appliance from the power supply by unplugging it if plug is accessible, or by means of an accessible multi-pole switch installed upstream of the socket in conformity with national safety standards.

• Plug the appliance into a grounding socket: the appliance must be correctly connected to an approved earthing system.

• Do not use single/multi adapters or extension cords.

• During installation, make sure the appliance does not damage the power cable.


• Do not pull the appliance power cable

• The appliance must be handled and installed by two or more persons.

• Installation and maintenance including replacement of the supply cord must be carried out by the manufacturer or a qualified technician, in compliance with the manufacturer's instructions and the local safety regulations in force. In order to avoid a hazard do not repair or replace any part of the appliance including the supply cord, unless specifically stated in the user manual.

# Safeguarding the environment

## 1. Packing


The packing material is 100% recyclable and bears the recycling symbol . For disposal, comply with the local regulations. Keep the packing materials (plastic bags, polystyrene parts, etc.) out of the reach of children, as they are a potential source of danger.

## 2. Scrapping/Disposal

The appliance is manufactured using recyclable material.

This appliance is marked in compliance with European Directive 2002/96/EC on Waste Electrical and Electronic Equipment (WEEE). By ensuring the correct disposal of this appliance, you can help prevent potentially negative consequences for the environment and the health of persons.



The symbol  on the appliance, or on the accompanying documents, indicates that this appliance should not be treated as domestic waste but must be taken to a special collection centre for the recycling of electrical and electronic equipment. When scrapping the appliance, make it unusable by cutting off the power cable and removing the doors and shelves so that children cannot easily climb inside and become trapped.

# Electrical connection for Great Britain and Ireland only

**Warning** - this appliance must be earthed

**Fuse replacement** If the mains lead of this appliance is fitted with a BS 1363A 13amp fused plug, to change a fuse in this type of plug use an A.S.T.A. approved fuse to BS 1362 type and proceed as follows:

1. Remove the fuse cover (A) and fuse (B).
2. Fit replacement 13A fuse into fuse cover.
3. Refit both into plug.

### Important:

The fuse cover must be refitted when changing a fuse and if the fuse cover is lost the plug must not be used until a correct replacement is fitted. Correct replacement are identified by the colour insert or the colour embossed in words on the base of the plug.

Replacement fuse covers are available from your local electrical store.

### For the Republic of Ireland only

The information given in respect of Great Britain will frequently apply, but a third type of plug and socket is also used, the 2-pin, side earth type.

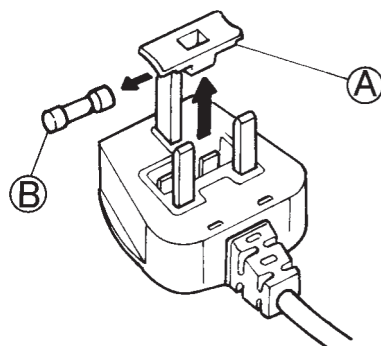
Scrap the appliance in compliance with local regulations on waste disposal, taking it to a special collection centre; do not leave the appliance unattended even for a few days, since it is a potential source of danger for children. For further information on the treatment, recovery and recycling of this product, contact your competent local office, the household waste collection service or the shop where you purchased the appliance.

## Declaration of conformity

- This appliance has been designed for preserving food and is manufactured in compliance with Regulation (CE) No. 1935/2004.
- This appliance has been designed, manufactured and marketed in compliance with:
  - safety objectives of the "Low Voltage" Directive 2006/95/CE (which replaces 73/23/CEE and subsequent amendments); and also integrated with the safety principles of the "machinery" DIRECTIVE 2006/42/EC OF THE EUROPEAN PARLIAMENT AND OF THE COUNCIL of 17 may 2006
  - the protection requirements of Directive "EMC" 2004/108/EC.
- The appliance has a noise emission which does not exceed 70 dB(A)

### Socket outlet / plug (valid for both countries)

If the fitted plug is not suitable for your socket outlet, please contact After-sales Service for further instruction. Please do not attempt to change plug yourself. This procedure needs to be carried out by a qualified technician in compliance with the manufactures instructions and current standard safety regulations.



## Energy-saving tips

- Install the appliance in a dry, well ventilated room far away from any heat source (e.g. radiator, cooker, etc.) and in a place not exposed directly to the sun. If required, use an insulating plate.
- To guarantee adequate ventilation follow installation instructions.

## Before using the appliance

**To ensure best use of your appliance, carefully read the operating instructions which contain a description of the product and useful advice. Keep these instructions for future reference.**

1. After unpacking the appliance, make sure it is not damaged and that the door closes properly. Any damage must be reported to the dealer within 24 hours of delivery of the appliance.
2. Wait at least two hours before switching the appliance on, to ensure that the refrigerant circuit is fully efficient.
3. Clean the inside of the appliance before using it.
4. This product is a “blast chiller” not a food conservator, as a consequence, then, cannot be used for food conservation. After the selected program is over, food must be taken and put in a fridge or freezer.

## Precautions and general recommendations

### INSTALLATION

- Be careful not to damage the floors (e.g. parquet) when moving the appliance.
- Install and level the appliance on a floor strong enough to take its weight and in a place suitable for its size and use.
- The appliance is arranged for operation in places where the temperature comes within the following ranges, according to the climatic class given on the rating plate. The appliance may not work properly if it is left for a long time at a temperature outside the specified range.
- Do not eat ice cubes or ice lollies immediately after taking them out of the freezer since they may cause cold burns.
- Before carrying out any maintenance or cleaning operation, unplug the appliance or disconnect it from the power supply.
- Do not store glass containers with liquids in the freezer compartment since they may break.
- Avoid storing unwrapped food in direct contact with internal surfaces of the freezer compartment.
- Do not directly touch internal walls or frozen food when taking it out the freezer or, if you need to open the door in the middle of the process, because this could cause burns.

Climatic Class	Amb. temperature (°C)	Relative humidity (%)
3	25	60
4	30	55
5	40	40

- Make sure the voltage specified on the rating plate corresponds to that of your home.

### SAFE USE

- Do not store or use petrol, flammable liquids or gas in the vicinity of this or other electrical appliances. The fumes can cause fires or explosions.

**The Manufacturer declines any liability for injury to persons or animals or damage to property if the above advice and precautions are not respected.**

## **Cleaning, sanitization and maintenance of the ice and/or water dispenser (if present)**

**Failure to follow the instructions regarding sanitizing can compromise the hygienic safety of the water dispensed.**

- When using the appliance for the first time and every time the filter is changed, discard the first 9-14 litres of water, equivalent to 6-7 minutes of dispensing (not necessarily consecutive, but before initial consumption) and discard the ice produced in the first 24 hours.
- If the water dispenser has not been used for more than 4/5 days, it is advisable to clean the circuit and run off the first litre of water.
- Reposition the removable water dispenser (if present), ensuring your hands are hygienically clean.
- Clean the ice bucket or drawer regularly but using only drinking water.
- The filter must be changed when indicated on the control panel or when the ice/water dispenser has not been used for more than 30 days.
- With each filter replacement, sanitise the ice and/or water distribution system using a food grade disinfectant (with sodium hypochlorite), which does not alter the characteristics of the materials, or use the “Sanitising Kit” available from the After-Sales Service. Rinse with at least 2 litres of water before use.
- Only original spare parts supplied by the manufacturer should be used when replacing components in the ice and water dispenser.
- Any work on the appliance must be carried out by a qualified technician or the After-sales Service.

## Installation requirements

### Location zone conditions

The ice maker machines are designed to operate at room temperature between 5°C (41°F) and 43°C (109.40°F).

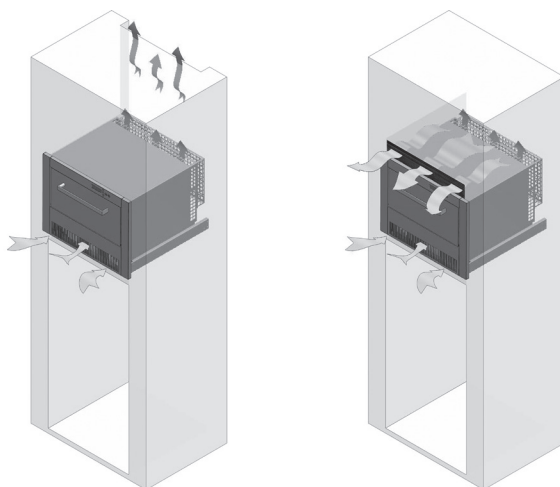
### Housing dimensions

To install the ice maker in the correct way, it will be necessary that the hole located for such effect in the piece of furniture has the dimensions established in the drawing (560x440x560 mm).

The drainage must be in the position indicated in the drawing. In the left part of the housing and below the inferior level of the machine. In this way the flexible pipes have the enough path to allow the extraction of the machine.

### IMPORTANT

It must be taken into account that an exit must be left for the air that the machines takes through the front louver. It can be a back hole (with an outdoor exit) near the compressor area, or a louver on the machine. The water connection, drainage and electrical steps of the equipment are also necessary (see the figure).





## Technical specifications

- Sizes External: 596x455x538  
Cabinet hole size: 560x440x560
- Mounting on sliding rails.
- Production:  
Rated production: 10 Kg/24h (Ambient temperature 20°C / Water temperature 15°C).
  - 12 cubes/cycle
  - ice cube weight 22 g
  - Ice tank: 8 Kg
- Power supply connection:
  - Power supply: 220 V / 50 Hz.
  - Power: 250 W
  - Intensity: 1.8 A
- Water connection
  - Male thread tap socket 3/4" BSP
  - Consumption: 2.4 l/h
  - Maximum instantaneous capacity: 1 l/min
  - Pressure: 1-5 bar
- Cooling
  - Refrigerant: R134A
  - Air condensation. Front input. Back output

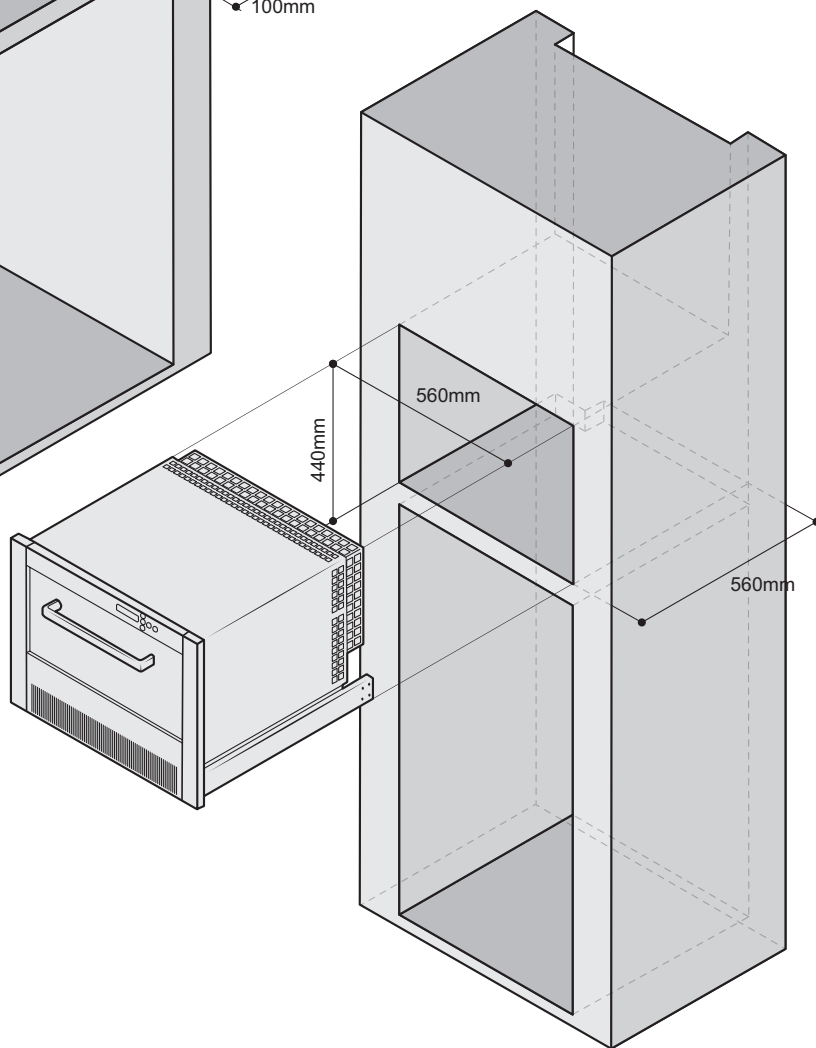
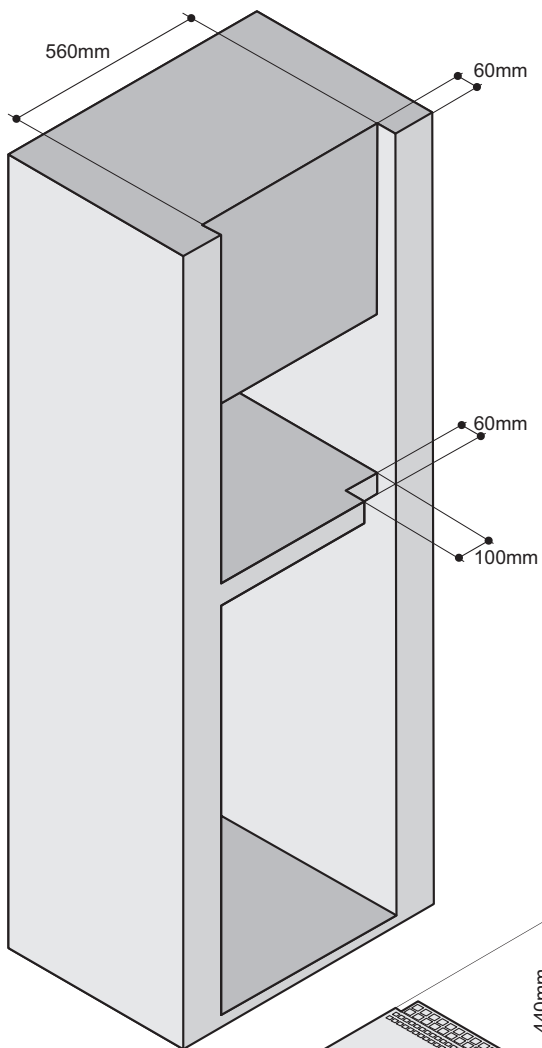
## Installation

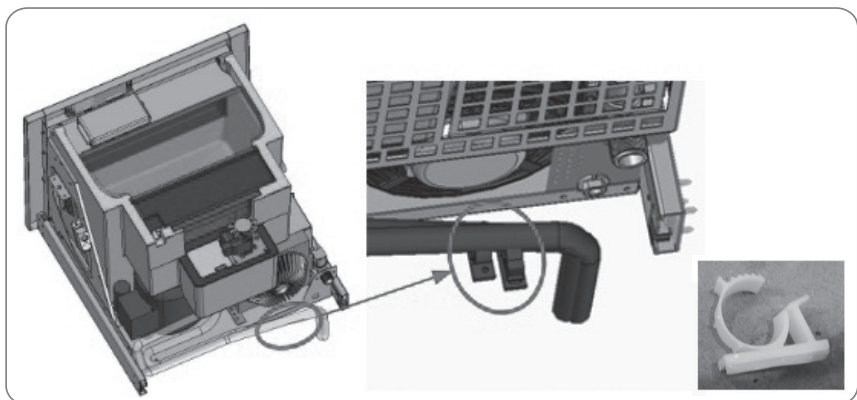
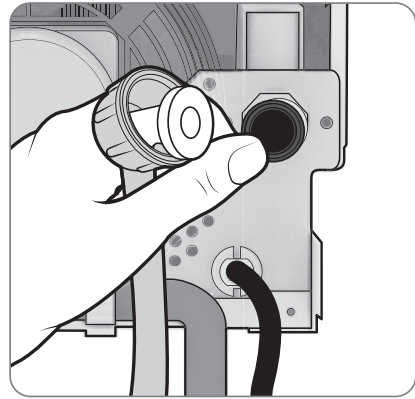
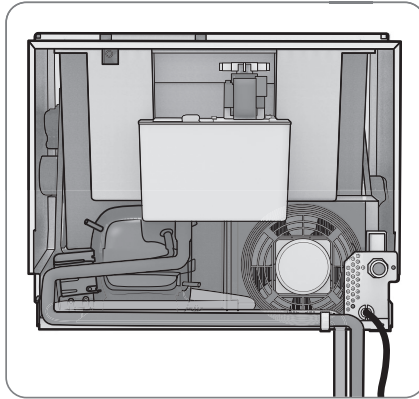
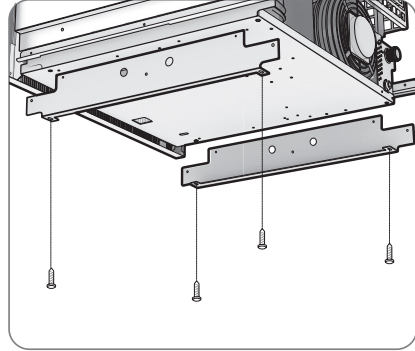
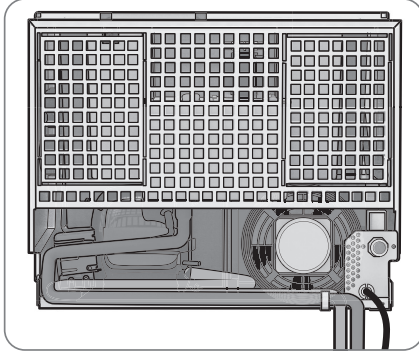
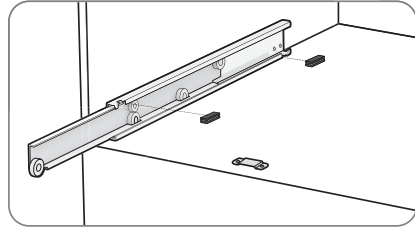
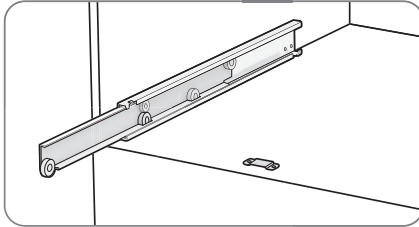
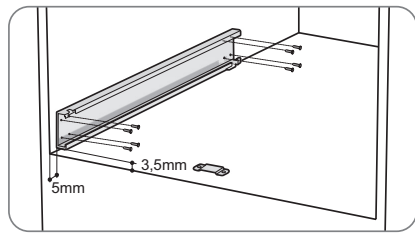
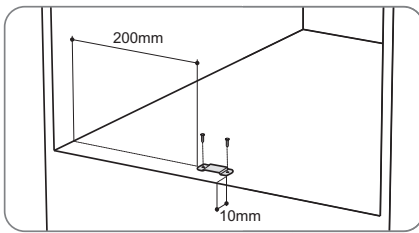
### Anchoring of the machine

Extract the water discharge pipes and the power supply cable on the rear of the appliance, by removing the rear grille. Make sure that the two discharge pipes are installed as shown in the picture and that they are not bent nor squashed, as this may cause the appliance to malfunction.

Follow the following steps:

1. Screw the guides in the hole of the piece of furniture to have them horizontally and set back 5 mm as it is indicated on the figure.
2. Screw the fastening bridge of the machine in the position of the drawing.
3. Screw the fastening flanges of the drainage hoses.
4. Place the machine on the support angles of the guides. Adjust the width before fastening the screws checking that it slides softly along the path.





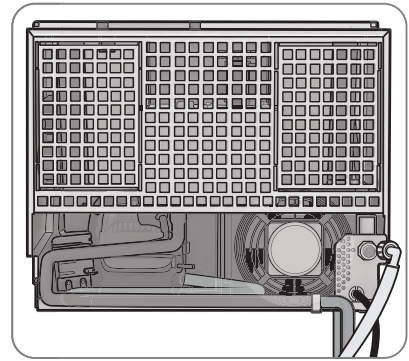
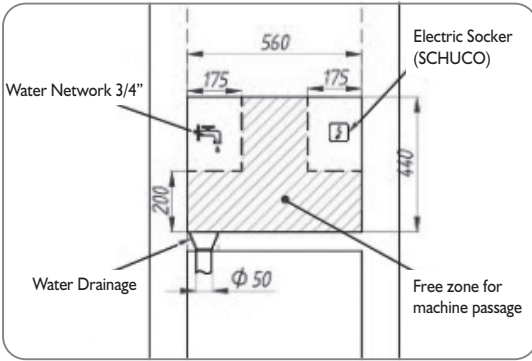


Fig.1

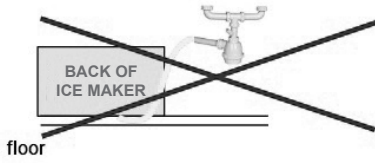


Fig.2

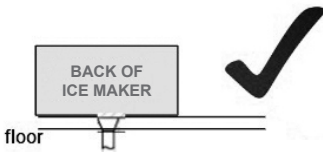


Fig.4

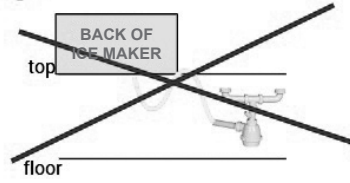
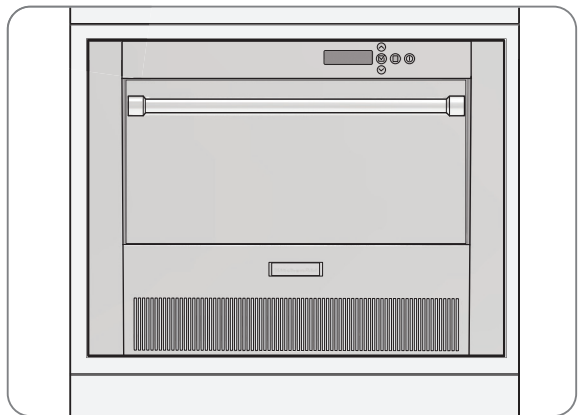
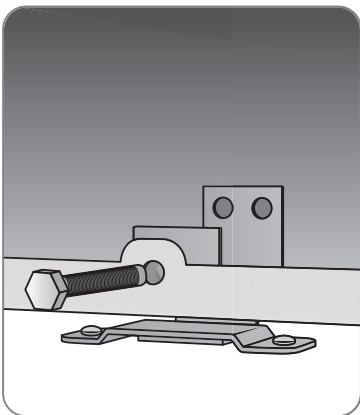
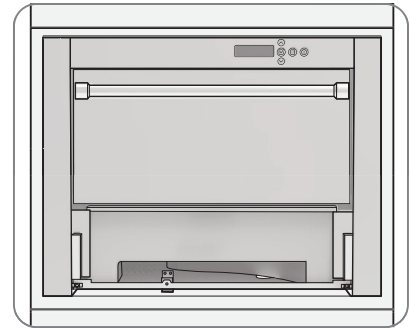
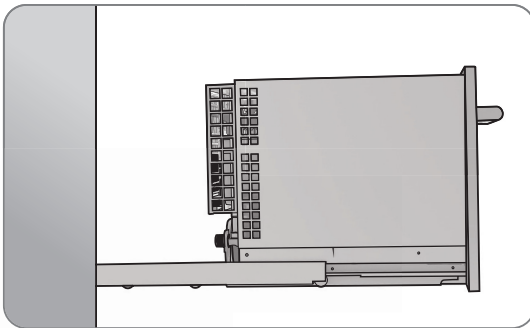
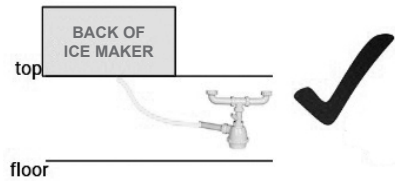


Fig.3



### **Connections to the Water Network**

Use the flexible pipe with the two filter joints supplied with the machine. Pressure should be between 1 and 5 Bar.

If pressures overpass such values, install the necessary corrective devices.

Leave free the needed length to extract the machine up to the end of the guides.

The rest can be flanged and gathered at a side to avoid that when storing the machine it can touch the water pump and stop it or make noise.

### **Connection to drainage**

The drainage must be in the position established in the drawing. In the left part of the housing and below the inferior level of the machine. In this way the flexible pipes have the enough path to allow the extraction of the machine.

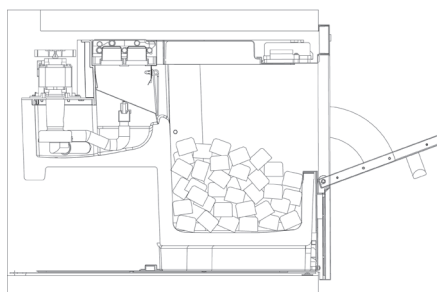
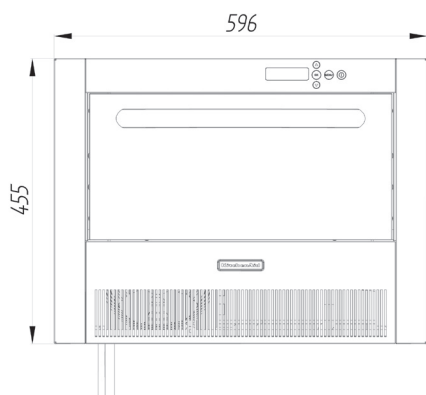
It is convenient that the drainage pipe has an entry with an interior diameter of 50 mm to introduce the two drainage hoses of the machine.

Fix the pipes with the flanges that were provided. Thus, we ensure that when taking out and storing the machine, the pipes do not come out.

Water drainage works only by gravity and has to be connected as shown at page 12 with sketches 2 and 3.

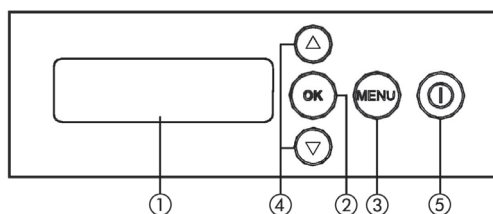
## Foreword

- The appliance requires connection to the water supply for filling with drinkable water, and a drainage outlet for any residual cycle water.
- The appliance has a cyclical operation: the production cycle continues until the container is full; a thermostat below the ice output automatically stops the appliance when the tank is full.
- When the quantity of ice falls below a certain level, due to use or melting, the same thermostat will reactivate the appliance. Any residual water due to melting is directed outside the appliance through the discharge pipe. The appliance can produce approximately 12 cubes every 40 minutes.



### CONTROL PANEL DESCRIPTION

1. Display
2. Confirmation key
3. Menu
4. Program selection arrows
5. Appliance ON/OFF key



## First use

### Settings

#### Warning:

before opening the settings menu ensure that the appliance is off.

The following parameters can be set

TIME



PROGRAMMING OF THE APPLIANCE

NUMBER OF ICE CUBES

ICE CUBE SIZE

LANGUAGE

### Setting the time

et the desired time using the program selection arrow   (the hours will flash first, followed by the minutes) and confirm the selection at each stage using the OK key.

### Programming the appliance

When the appliance is switched on, it will automatically be set to the “Program disabled” option. To begin the cycle start and end setting operation, select “program enabled” and press OK to confirm.

The cycle start and end times are set in the same way as the clock. The display can be used to enter the time for appliance startup in the desired hh:mm format (the appliance will keep the last settings in the memory). Press OK to return to the main menu. At the set start time the appliance will switch on and operate until the set stop time.

### IMPORTANT NOTE

If the set cycle start and end times are before the current time shown on the clock, the settings will be kept for the following day.

If the start time is before the time currently set on the clock, pressing OK to confirm will automatically activate the appliance, which will continue operation until the set end time is reached.

### Number of ice cubes

The appliance has 3 separate production modes:

- CONTINUOUS: the appliance will produce ice cubes until switched off or until the ice cube container is full.
- 24: maximum allowed number of ice cubes, after which the appliance will be switched off.
- 48: maximum allowed number of ice cubes, after which the appliance will be switched off.

### Ice cube size

This option can be selected to increase or decrease the size of the ice cubes based on personal needs. To increase or decrease size use the arrows.

### Language

To change the language select Menu - Language and then the desired language. Press OK to confirm.

## **Startup**

The appliance is configured at the factory with preset values.

**Warning:** in case of power cut setting parameters are conserved. Only hour and timer programmer are lost because pcb board has no battery

Before switching the appliance off, a thorough cleaning is necessary, following the instructions of the "Maintenance and cleaning" section.

- Insert the plug in the electric socket.
- Press the ON key for a few seconds.
- Two minutes after switching the appliance on, the water circulation pump and the cooling system will be activated.

## **Maintenance and Cleaning**

- Always disconnect the appliance from the electric power supply before performing any maintenance or cleaning operations.
- Clean the inside of the appliance regularly, using a cloth dampened with a solution of lukewarm water and neutral detergent. (Cleaning should take place at least once every six months)
- Never use abrasive detergents.
- Do not use steam cleaners.
- The panel keys and display must not be cleaned using alcohol based substances or similar. Only use a dry cloth.
- 

### **Cleaning the internal tank**

- Disconnect the appliance from the electric power supply and remove any left over ice cubes from the tank.
- Clean using a cloth dampened with a solution of lukewarm water and neutral detergent.
- Remove all limescale traces applying a specific limescale product. Give the product time to act and then remove with a dry cloth.

## **Sanitization**

Sanitization must be performed by qualified technical service every six months.



## Troubleshooting guide

If the appliance does not operate correctly, or does not operate at all, before contacting customer care refer to the following alarm table:

Alarm	Probable cause	Verification
Full tank Bin Machine is stopped	Thermostat failure	In the storage bin the ice cubes do not touch the thermostat rod
Cycle probe. Machine is stopped	Damaged cycle probe	Room temperature information menu *****
High temperature Machine is stopped	Lack of ventilation	Objects that block the machine air inlet
		Dirty ventilation filter
		Dirty condenser
Short time Machine is stopped	No Water incoming into the machine.	Water supply
		Filter or water valve
	No water arrive to nozzles	Pump does not work
		Impulse tube or nozzle are loose
Long time Machine is stopped	The compressor or the fan isn't working	Output I information menu, signal during manufacturing process.
	Lack of ventilation	Low or no passage of recommended air outlets

## After-sales service

### Before contacting the After-sales Service:

1. Ensure that you are unable to resolve the fault.
2. Switch the appliance on again to see if the problem has been solved. If it has not, disconnect the appliance from the power supply and wait for about an hour before switching on again.
3. If the problem persists contact After-sales Service.

### Specify:

- the type of fault,
- the model,
- the Service number (the number after the word SERVICE on the rating plate on the back the appliance),
- your full address,
- your telephone number and area code

**SERVICE** 0000 000 00000







FOR THE WAY IT'S MADE.

Printed in Italy

Q 11/18

400011324317

EN