

# AKR 5390/1 IX

12NC: 859991568520

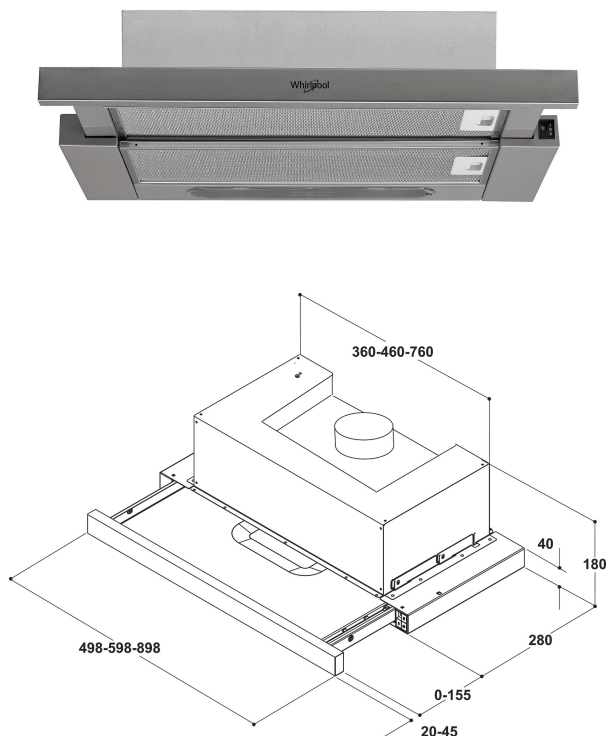
GTIN (EAN) code: 8003437236891

Whirlpool

SENSING THE DIFFERENCE

## MAIN FEATURES

Product group	Napa
Colour body	Inox
Material body	Stainless steel
Colour chimney	-
Material chimney	-
Typology	Pull-out
Installation type	Ugradbeni
Type of control	Mechanical
Type of control settings	-
Decor panel options	Possible and included
Motor location	Integrated motor in hood body
Operating Mode	Convertible
Electrical connection rating (W)	121
Current (A)	0,9
Voltage (V)	220-240
Frequency (Hz)	50/60
Length of Electrical Supply Cord (cm)	150
Plug type	Schuko
Chimney height (mm)	-
Height of product, without chimney (mm)	211
Height of the product	180
Width of the product	599
Depth of the product	300
Minimum niche height	0
Minimum niche width	0
Niche depth	0
Net weight (kg)	6



## TECHNICAL FEATURES

Type of manual control devices	Buttons
Type of automatic control devices	-
Number of motors	1
Total power of the motors (W)	116
Number of speed settings: boost option availability	3
Boost presence	Ne
Maximum output air extraction (m <sup>3</sup> /h)	304
Boost position air extraction (m <sup>3</sup> /h)	0
Maximum output recirculating air (m <sup>3</sup> /h)	125
Boost position output recirculating (m <sup>3</sup> /h)	0
Light Control Type	On/Off
Number of lights	2
Type of lamps used	LED
Total power of the lamps (W)	5
Diameter of air outlet (mm)	120
No-return airflow flap	Ne
Grease filter material	Washable aluminium
Odour filter	Ne

## ENERGY LABEL

Sound power at min. speed (2010/30/EU)	48
Sound power at max. speed (2010/30/EU)	65
Noise level with boost position (dB(A) re 1 pW)	0