

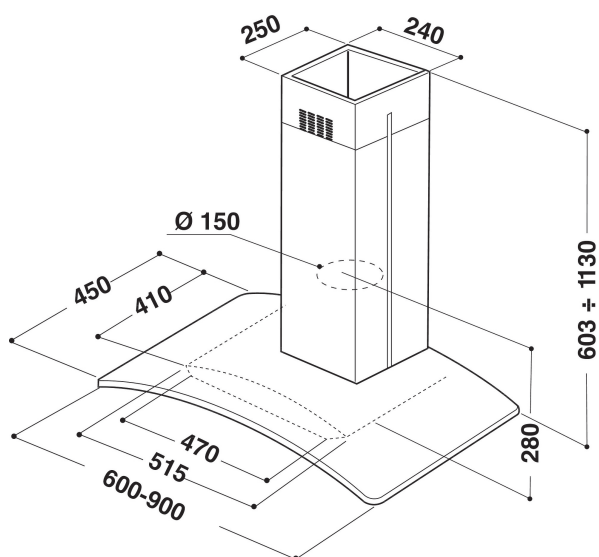
# AKR 503 IX

12NC: 857850315000

GTIN (EAN) code: 8003437969348

**Whirlpool**

SENSING THE DIFFERENCE



## MAIN FEATURES

Product group	Hood
Colour body	Inox
Material body	Stainless steel / glass
Colour chimney	-
Material chimney	-
Typology	Wall-mounted
Installation type	Wall-mounted
Type of control	Mechanical
Type of control settings	-
Decor panel options	N/A
Motor location	Integrated motor in hood chimney
Operating Mode	Convertible
Electrical connection rating (W)	220
Current (A)	1
Voltage (V)	220-240
Frequency (Hz)	50/60
Length of Electrical Supply Cord (cm)	150
Plug type	No
Chimney height (mm)	76-603
Height of product, without chimney (mm)	70
Height of the product	1130
Width of the product	598
Depth of the product	450
Minimum niche height	-
Minimum niche width	-
Niche depth	-
Net weight (kg)	14.55

## TECHNICAL FEATURES

Type of manual control devices	Buttons
Type of automatic control devices	-
Number of motors	1
Total power of the motors (W)	180
Number of speed settings: boost option availability	3
Boost presence	No
Maximum output air extraction (m <sup>3</sup> /h)	630
Boost position air extraction (m <sup>3</sup> /h)	-
Maximum output recirculating air (m <sup>3</sup> /h)	455
Boost position output recirculating (m <sup>3</sup> /h)	-
Light Control Type	On/Off
Number of lights	2
Type of lamps used	Halogen
Total power of the lamps (W)	40
Diameter of air outlet (mm)	150
No-return airflow flap	No
Grease filter material	Washable aluminium
Odour filter	No

## PERFORMANCES

Sound power at min. speed (2010/30/EU)	44
Sound power at max. speed (2010/30/EU)	67
Noise level with boost position (dB(A) re 1 pW)	-