

## SAFETY INSTRUCTIONS

## IMPORTANT TO BE READ AND OBSERVED

⚠ These instructions are valid if the country symbol appears on the appliance. If the symbol doesn't appear on the appliance, it is necessary to refer to the technical instructions which will provide the necessary instructions concerning modification of the appliance to the conditions of use of the country.

⚠ CAUTION: The use of the gas cooking appliance results in the production of heat, moisture and products of combustion in the room in which it is installed. Ensure that the kitchen is well ventilated especially when the appliance is in use: keep natural ventilation holes open or install a mechanical ventilation device (mechanical extractor hood). Prolonged intensive use of the appliance may call for additional ventilation, such as opening a window, or more effective ventilation, for example increasing the level of mechanical ventilation (if possible).

⚠ Failure to follow the information in this manual exactly may cause a fire or explosion, resulting in property damage or personal injury.

Before using the appliance, read these safety instructions. Keep them nearby for future reference.

These instructions and the appliance itself provide important safety warnings, to be observed at all times. The manufacturer declines any liability for failure to observe these safety instructions, for inappropriate use of the appliance or incorrect setting of controls.

⚠ WARNING: If the hob surface is cracked, don't use the appliance – risk of electrical shock.

⚠ WARNING: Danger of fire: Do not store items on the cooking surfaces.

⚠ CAUTION: The cooking process has to be supervised. A short cooking process has to be supervised continuously.

⚠ WARNING: Unattended cooking on a hob with fat or oil can be dangerous – risk of fire. NEVER try to extinguish a fire with water, but switch off the appliance and then cover flame e.g. with a lid or a fire blanket.

⚠ Do not use the hob as a work surface or support. Keep clothes or other flammable materials away from the appliance, until all the components have cooled down completely – risk of fire.

⚠ Very young children (0-3 years) should be kept away from the appliance. Young children (3-8 years) should be kept away from the appliance unless continuously supervised. Children from 8 years old and above and persons with reduced physical, sensory or mental capabilities or lack of experience and knowledge can use this appliance only if they are supervised or have been given instructions on safe use and understand the hazards involved. Children must not play with the appliance. Cleaning and user maintenance must not be carried out by children without supervision.

⚠ CAUTION: In case of hotplate glass breakage: shut immediately off all burners and any electrical heating element and isolate the appliance from the power

supply; do not touch the appliance surface; do not use the appliance.

The glass lid can break in if it is heated up. Turn off all the burners and the electric plates before closing the lid. Do not shout down lid when burner alight.

⚠ WARNING: The appliance and its accessible parts become hot during use. Care should be taken to avoid touching heating elements. Children less than 8 years of age must be kept away unless continuously supervised.

⚠ The food must not be left in or on the product for more than one hour before or after cooking.

### PERMITTED USE

⚠ CAUTION: the appliance is not intended to be operated by means of an external switching device, such as a timer, or separate remote controlled system.

⚠ This appliance is intended to be used in household and similar applications such as: staff kitchen areas in shops, offices and other working environments; farm houses; by clients in hotels, motels, bed & breakfast and other residential environments.

⚠ No other use is permitted (e.g. heating rooms).

⚠ This appliance is not for professional use. Do not use the appliance outdoors.

⚠ Use pots and pans with bottoms the same width as that of the burners or slightly larger (see specific table). Make sure pots on the grates do not protrude beyond the edge of the hob.

⚠ Improper use of the grids can result in damage to the hob: do not position the grids upside down or slide them across the hob.

Do not let the burner flame extend beyond the edge of the pan.

If the hob surface is in glass material, do not use the cast iron griddles, ollar stones, terracotta pots and pans.

Do not use: heat diffusers such as metal mesh, or any other types; two burners simultaneously for one receptacle (e.g. Fish kettle).

Should particular local conditions of the delivered gas make the ignition of burner difficult, it is advisable to repeat the operation with the knob turned to small flame setting.

In case of installation of a hood above the cooktop, please refer to the hood instructions for the correct distance.

The protective rubber feet on the grids represent a choking hazard for young children. After removing the grids, please ensure that all the feet are correctly fitted.

### INSTALLATION

⚠ The appliance must be handled and installed by two or more persons - risk of injury. Use protective gloves to unpack and install - risk of cuts.

⚠ The electrical and gas connections must comply with local regulation.

⚠ Installation, including water supply (if any) and electrical connections, and repairs must be carried out by a qualified technician. Do not repair or replace any part of the appliance unless specifically stated in the user manual. Keep children away from the installation site. After unpacking the appliance, make sure that it has not been damaged during transport. In the event of problems, contact the dealer or your nearest After-sales Service. Once installed, packaging waste (plastic, styrofoam parts etc.) must be stored out of reach of children - risk of suffocation. The appliance must be disconnected from

the power supply before any installation operation - risk of electrical shock. During installation, make sure the appliance does not damage the power cable - risk of fire or electrical shock. Only activate the appliance when the installation has been completed.

⚠ **WARNING:** Modification of the appliance and its method of installation are essential in order to use the appliances safely and correctly in all the additional countries.

⚠ Use pressure regulators suitable for the gas pressure indicated in the instruction.

⚠ The room must be equipped with an air extraction system that expels any combustion fumes.

⚠ The room must also allow proper air circulation, as air is needed for combustion to occur normally. The flow of air must not be less than 2 m<sup>3</sup>/h per kW of installed power.

⚠ The air circulation system may take air directly from the outside by means of a pipe with an inner cross section of at least 100 cm<sup>2</sup>; the opening must not be vulnerable to any type of blockages.

⚠ The system can also provide the air needed for combustion indirectly, i.e. from adjacent rooms fitted with air circulation tubes as described above. However, these rooms must not be communal rooms, bedrooms or rooms that may present a fire hazard.

⚠ Liquid petroleum gas sinks to the floor as it is heavier than air. Therefore, rooms containing LPG cylinders must also be equipped with vents to allow gas to escape in the event of a leak. As a result LPG cylinders, whether partially or completely full, must not be installed or stored in rooms or storage areas that are below ground level (cellars, etc.). It is advisable to keep only the cylinder being used in the room, positioned so that it is not subject to heat produced by external sources (ovens, fireplaces, stoves, etc. ) which could raise the temperature of the cylinder above 50°C.

Should you experience difficulty in turning the burners knobs, please contact After Sales Service for replacement of the burner tap if found to be faulty.

The openings used for the ventilation and dispersion of heat must never be covered.

⚠ Carry out all cabinet cutting works before fitting the appliance in the furniture and remove all wood chips and sawdust.

⚠ If the appliance is not installed above an oven, a separator panel (not included) must be installed in the compartment under the appliance.

### **GAS CONNECTION**

⚠ **WARNING:** Prior to installation, ensure that the local distribution conditions (type of gas and gas pressure) and the adjustment of the appliance are compatible.

⚠ Check that the pressure of the gas supply is consistent with the values indicated in "Burner and nozzle specifications" table.

⚠ **WARNING:** The configuration conditions for this appliance are stated on the label (or data plate).

⚠ **WARNING:** This appliance is not connected to a combustion products evacuation device. It must be installed and connected in accordance with current installation regulations. Particular attention must be paid to the relevant requirements regarding ventilation.

⚠ If the appliances is connected to liquid gas, the regulation screw must be fastened as tightly as possible.

⚠ **IMPORTANT:** When the gas cylinder or gas container is installed, it must be properly settled (vertical orientation).

⚠ **WARNING:** This operation must be performed by a qualified technician.

⚠ Use only flexible or rigid metal hose for gas connection.

⚠ Connection with a rigid pipe (copper or steel) Connection to the gas system must be carried out in such a way as not to place any strain of any kind on the appliance. There is an adjustable L-shaped pipe fitting on the appliance supply ramp and this is fitted with a seal in order to prevent leaks. The seal must always be replaced after rotating the pipe fitting (the seal is provided with the appliance). The gas supply pipe fitting is a threaded 1/2 gas cylindrical male attachment.

⚠ Connecting a flexible jointless stainless steel pipe to a threaded attachment. The gas supply pipe fitting is a threaded 1/2 gas cylindrical male attachment. These pipes must be installed so that they are never longer than 2000 mm when fully extended. Once connection has been carried out, make sure that the flexible metal pipe does not touch any moving parts and is not compressed. Only use pipes and seals that comply with current National regulations.

⚠ **IMPORTANT:** If a stainless steel hose is used, it must be installed so as not to touch any mobile part of the furniture (e.g. drawer). It must pass through an area where there are no obstructions and where it is possible to inspect it on all its length.

⚠ The appliance should be connected to the main gas supply or to gas cylinder in compliance with the current national regulations. Before making the connection, make sure that the appliance is compatible with the gas supply you wish to use. If this is not the case, follow the instructions indicated in the paragraph "Adapting to different types of gas".

⚠ After connection to the gas supply, check for leaks with soapy water. Light up the burners and turn the knobs from maximum position 1\* to minimum position 2\* to check flame stability.

### **ADAPTING TO DIFFERENT TYPES OF GAS**

(This operation needs to be carried out by a qualified technician).

⚠ In order to adapt the appliance to a type of gas other than the type for which it was manufactured (indicated on the rating label), follow the dedicated steps provided after installation drawings.

### **ELECTRICAL WARNINGS**

⚠ **IMPORTANT:** Information about current and voltage consumption is provided on the rating plate.

⚠ It must be possible to disconnect the appliance from the power supply by unplugging it if plug is accessible, or by a multi-pole switch installed upstream of the socket in accordance with the wiring rules and the appliance must be earthed in conformity with national electrical safety standards.

---

⚠ The power cable must be long enough to connect the appliance, once fitted in its housing, to the main power supply. Do not pull the power supply cable.

⚠ Do not use extension leads, multiple sockets or adapters. The electrical components must not be accessible to the user after installation. Do not use the appliance when you are wet or barefoot. Do not operate this appliance if it has a damaged power cable or plug, if it is not working properly, or if it has been damaged or dropped.

⚠ If the supply cord is damaged, it must be replaced with an identical one by the manufacturer, its service agent or similarly qualified persons in order to avoid a hazard - risk of electrical shock.


### **CLEANING AND MAINTENANCE**

⚠ **WARNING:** Ensure that the appliance is switched off and disconnected from the power supply before performing any maintenance operation; never use steam cleaning equipment - risk of electric shock.

⚠ Do not use abrasive or corrosive products, chlorine-based cleaners or pan scourers.

⚠ To avoid damaging the electric ignition device, do not use it when the burners are not in their housing.

### **DISPOSAL OF PACKAGING MATERIALS**


The packaging material is 100% recyclable and is marked with the recycle symbol .

The various parts of the packaging must therefore be disposed of responsibly and in full compliance with local authority regulations governing waste disposal.

### **DISPOSAL OF HOUSEHOLD APPLIANCES**

This appliance is manufactured with recyclable or reusable materials. Dispose of it in accordance with local waste disposal regulations. For further information on the treatment, recovery and recycling of household electrical appliances, contact your local authority, the collection service for household waste or the store where you purchased the appliance. This appliance is marked in compliance with European Directive 2012/19/EU, Waste Electrical and Electronic Equipment (WEEE) and with the Waste Electrical and Electronic Equipment regulations 2013 (as amended).

By ensuring this product is disposed of correctly, you will help prevent negative consequences for the environment and human health.

The symbol  on the product or on the accompanying documentation indicates that it should not be treated as domestic waste but must be taken to an appropriate collection center for the recycling of electrical and electronic equipment.

### **ENERGY SAVING TIPS**

Use pots and pans with bottom width equal to that of the cooking zone.

Only use flat-bottomed pots and pans.

When possible, keep pot lids on during cooking.

Use a pressure cooker to save even more energy and time.

### **DECLARATION OF CONFORMITY**

This appliance meets Ecodesign requirements of European Regulation 66/2014 and The Ecodesign for Energy-Related Products and Energy Information (Amendment) (EU Exit) Regulations 2019 in compliance with the European standard EN 30-2-1.

The information related to low power mode of the appliance in accordance with Regulation (EU) 2023/826 can be found in the following link: <https://docs.emeaappliance-docs.eu>.

Type of gas used	Type of burner	Injector marking	Rated thermal flow rate kW	Rated consumption	Reduced heat capacity kW	Gas pressure mbar		
						min.	rat.	max.
NATURAL GAS (Methane) <b>G20</b>	Rapid (R)	128 B	3,00	286 l/h	0,70	17	20	25
	Semi-rapid (SR)	97	1,75	167 l/h	0,40			
	Auxiliary (AUX)	78 A	1,00	95 l/h	0,40			
	DCC - Outer + Inner	155 S4 + 70 H1	5,00	476 l/h	2,20			
	DCC - Inner	70 H1	0,90	86 l/h	0,30			
LIQUEFIED PETROLEUM GAS (Butane) <b>G30</b>	Rapid (R)	87	3,00	218 g/h	0,70	20	28-30	35
	Semi-rapid (SR)	67	1,75	127 g/h	0,40			
	Auxiliary (AUX)	50	1,00	73 g/h	0,40			
	DCC - Outer + Inner	100 + 44	4,60	334 g/h	2,20			
	DCC - Inner	44	0,80	58 g/h	0,30			
LIQUEFIED PETROLEUM GAS (Propane) <b>G31</b>	Rapid (R)	87	3,00	214 g/h	0,70	25	37	45
	Semi-rapid (SR)	67	1,75	125 g/h	0,40			
	Auxiliary (AUX)	50	1,00	71 g/h	0,40			
	DCC - Outer + Inner	100 + 44	4,60	329 g/h	2,20			
	DCC - Inner	44	0,80	57 g/h	0,30			

Type of gas used	Model configuration 5 BURNERS	Rated thermal flowrate (kW)	Total rated consumption	Air required (m <sup>3</sup> ) for burning 1m <sup>3</sup> of gas
<b>G20</b> 20 mbar	1R - 2SR - 1AUX - 1DCC	12,50	1190 l/h	9,52
<b>G30</b> 28-30 mbar	1R - 2SR - 1AUX - 1DCC	12,10	880 g/h	30,94
<b>G31</b> 37 mbar	1R - 2SR - 1AUX - 1DCC	12,10	864 g/h	23,80

**ELECTRIC SUPPLY: 220-240 V ~ 50-60 Hz - 0,6W**

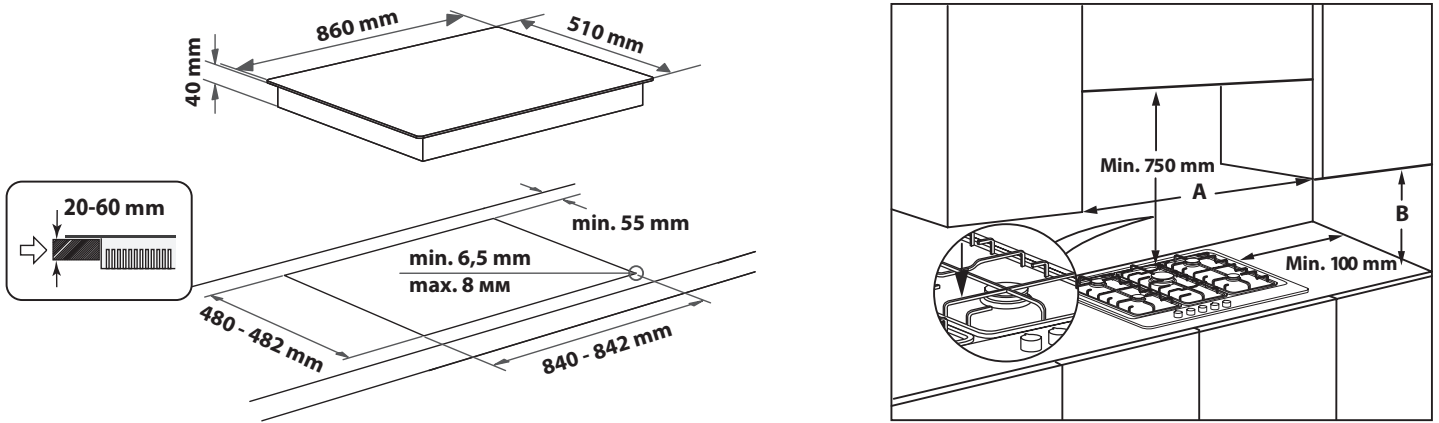


# INSTALLATION (CLASS 3)

## TECHNICAL INFORMATION FOR THE INSTALLER

- Use protective gloves for handling, preparing, and installing the product.
- This product can be embedded in a worktop 20 ÷ 60 mm thick.
- If there is no oven beneath the hob, insert a separator panel with a surface at least equal to the work surface's opening. This panel must be positioned at a maximum distance of 150 mm below the upper surface of the work surface but, in no case less than 20 mm from the bottom of the hob. In case you intend to install an oven beneath the hob, make sure that it is equipped with a cooling system.

## DIMENSIONS AND DISTANCES TO BE MAINTAINED



**NOTE:** If distance "A" between the kitchen cabinets is between 600 mm and 730 mm, height "B" must be at least 530 mm. If distance "A" between the kitchen cabinets is greater than the width of the hob, height "B" must be at least 400 mm. If a hood is installed above the hob, refer to the assembly instructions for the hood to see the necessary distance.

## ASSEMBLY

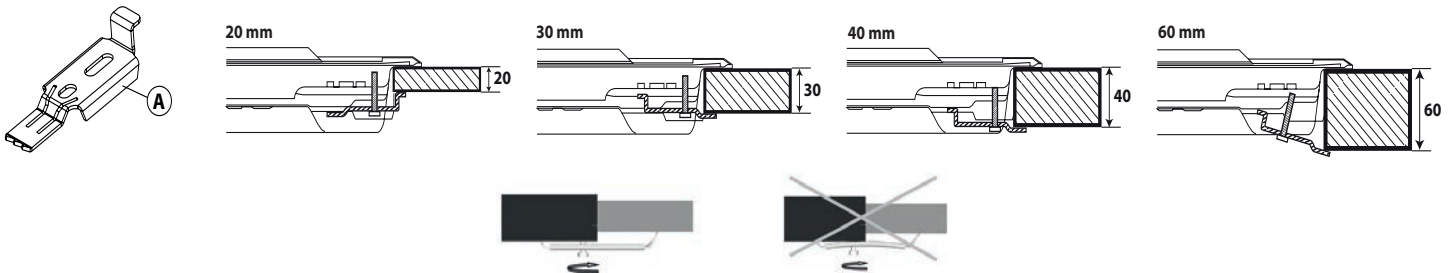
After cleaning the perimeter surface, apply the supplied gasket to the hob as shown in the figure.

Position the hob in the worktop opening made respecting the dimensions indicated in the Instruction.



**NOTE:** the power supply cable must be long enough to permit its upward extraction.

To secure the hob, use the brackets (A) provided with it. Fit the brackets into the relevant bores shown by the arrow and fasten them by means of their screws in accordance with the thickness of the worktop (see the following figures).

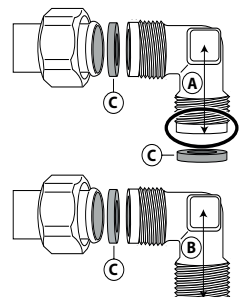


## GAS CONNECTION

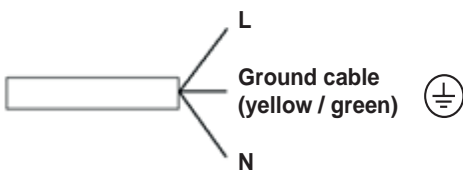
- Connect elbow (A)\* or (B)\* supplied with to the hob inlet main pipe and interpose the washer (C) supplied, in compliance with EN 549.

\* Use elbow (A) for France and elbow (B) for all other destinations.

- After connection to the gas supply, check for leaks with soapy water. Light up the burners and turn the knobs from max position to minimum position to check flame stability.



## ELECTRICAL CONNECTION





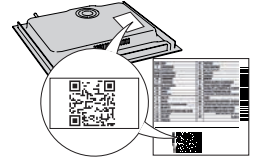
### THANK YOU FOR BUYING A WHIRLPOOL PRODUCT

In order to receive a more complete assistance, please register your product on [www.register10.eu](http://www.register10.eu).

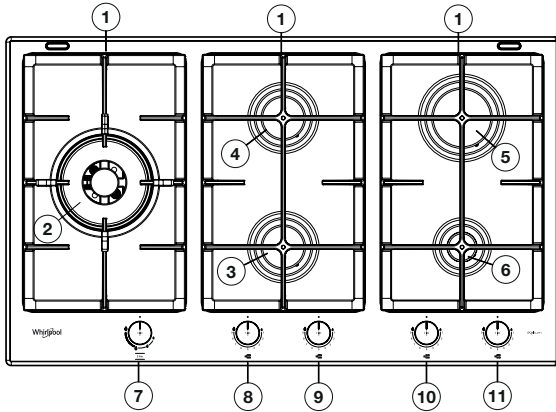


**Before using the appliance carefully read the Safety Instruction.**

**PLEASE SCAN THE QR CODE ON YOUR APPLIANCE IN ORDER TO REACH MORE INFORMATION**



## PRODUCT DESCRIPTION



1. Removable panstand grids
2. 2 Crown burner
3. Semi-rapid burner
4. Semi-rapid burner
5. Rapid burner
6. Auxiliary burner
7. 2 Crown burner control knob
8. Semi-rapid burner control knob
9. Semi-rapid burner control knob
10. Rapid burner control knob
11. Auxiliary burner control knob

### Symbols

- Shaded circle ● Tap closed
- Large flame Maximum opening/delivery and electric ignition
- Small flame Minimum opening or reduced delivery

5 kw



## DAILY USE

### HOW TO USE THE HOB

Do not let the burner flame extend beyond the edge of the pan.

**IMPORTANT: when the hob is in use, the entire hob area may become hot.**

- To ignite one of the burners, turn the relative knob anti-clockwise to the maximum flame setting.
- Press the knob against the control panel to ignite the burner.
- After the burner has ignited, keep the knob pressed for about 5-10 seconds to allow proper device operation.
- This burner safety device shuts off the gas supply to the burner if the flame goes out accidentally (because of sudden draught, an interruption in the gas delivery, boiling over liquids, etc.).
- **The knob must not be pressed for more than 15 sec. If, after that time has elapsed, the burner does not remain lit, wait at least one minute before trying to light it again.**

**NOTE: should particular local conditions of the delivered gas make the ignition of burner difficult, it is advisable to repeat the operation with the knob turned to the small flame setting.**

**The burner might go out when the knob is released.** This means that the safety device has not warmed up enough. In this case, repeat the operations described above.

If the burner flame is accidentally extinguished, switch off the burner control and do not try to ignite for at least 1 minute.

### PRACTICAL ADVICE FOR USING THE BURNERS

This hob has burners of different diameters. For better burner performance, please stick to the following rules:

- use pots and pans with bottoms the same width as that of the burners or slightly larger (see table on the right);
- only use flat-bottomed pots and pans;
- use the correct amount of water for cooking foods and keep the pot covered;
- make sure pots on the grates do not protrude beyond the edge of the hob;
- In the case of pans with convex bottoms (WOK), use the support grille (not provided), which should be positioned only on the multi-ring burner;
- avoid accidentally knocking the hob with pans, racks or other kitchen utensils;
- do not leave empty steak grills over the lit burner for longer than 5 minutes.

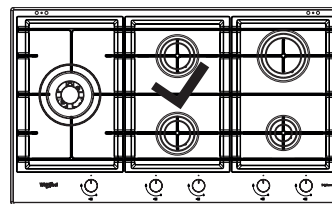
**IMPORTANT: improper use of the grids can damage the hob: do not position the grids upside down or slide them across the hob.**

BURNER	POT Ø
2 Ring	From 24 to 26 cm
Rapid	From 24 to 26 cm
Semi-rapid	From 16 to 22 cm
Auxiliary	From 8 to 14 cm

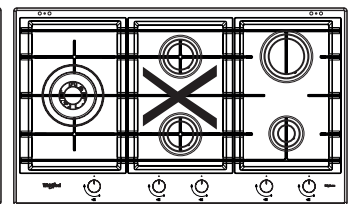
Do not use:

- cast iron griddles, ollar stones, terracotta pots, and pans;
- heat diffusers such as metal mesh, or any other types;
- two burners simultaneously for one receptacle (e.g., fish kettle).

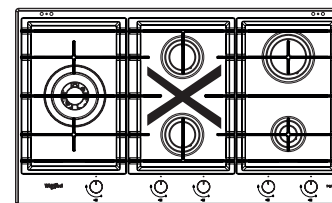
### CORRECT POSITIONING OF THE GRIDS



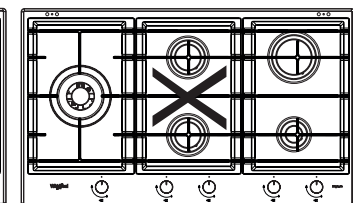
OK



NO



NO



NO

### ADAPTING TO DIFFERENT TYPES OF GAS

This operation must be performed by a qualified technician.

If the appliance is intended to operate with a different gas from the gas type stated on the rating plate and information label on the top of the hob, change the injectors.

Remove the information label and keep it with the instructions booklet.

**Use pressure regulators suitable for the gas pressure indicated in the Instruction:**

- the gas injector must be changed by After Sales Service or a qualified technician;
- injector not supplied with the appliance must be ordered from After Sales Service;
- adjust the minimum setting of the taps.

**NOTE: when liquid petroleum gas is used (G30/G31), the minimum gas setting screw must be tightened as far as it will go.**

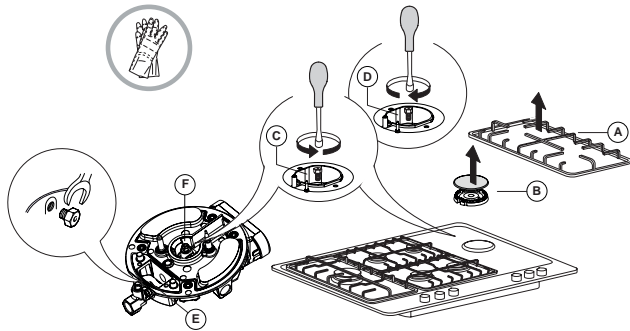
**IMPORTANT: should you experience difficulty in turning the burners knobs, please contact the After Sales Service for the replacement of the burner tap if found to be faulty.**

**IMPORTANT: when gas cylinder is adopted, the gas cylinder or gas container must be properly settled (vertical orientation).**

**REPLACING THE INJECTORS (see the injector table in the Safety instructions)**

**!** This operation must be performed by a qualified technician.

- Remove grids (A).
- Extract burners (B).
- Using a socket spanner of the appropriate size unscrew the injector (C), to be replaced.
- Replace it with the injector suitable for the new type of gas.
- Re-assemble the injector in (D).
- If you have a multiple crown burner, use a side spanner to replace the injector (E) and a socket spanner to replace the injector (F).



Before installing the hob, remember to affix the gas calibration plate supplied with the injectors in such a way that it covers the existing information relating to gas calibration.

**ADJUSTING MINIMUM GAS SETTING OF TAPS**

**!** This operation must be performed by a qualified technician.

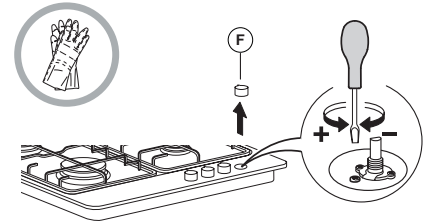
The adjustment must be performed with the tap in a minimum gas setting position (small flame).

The primary air of the burners does not need to be adjusted.

To ensure that the minimum setting is correctly adjusted, remove the knob (F) and proceed as follows:

- tighten the screw to reduce the flame height (-);
- loosen the screw to increase the flame height (+).

At this stage, light up the burners and turn the knobs from max. position to minimum position to check flame stability.



Upon completion of adjustment, reseal using sealing wax or an equivalent material.

**COOKING TABLE**

LEVEL	COOKING METHOD/TYPE (SUGGESTED FOR)	COOKING TIPS
1-2	KEEP WARM	Ideal for softening butter, gently melting chocolate in bagnemarie, thawing small portions, creaming risotto.
	GENTILE COOK	
3-4	SIMMERING	Ideal for slow-cook recipes (rice, sauces, roast, fish) using liquids (water, wine, broth), and for creaming pasta, maintaining a gentle boiling.
	STEWING	
5-6	ROASTING	Ideal for sauteing, stewing vegetables, cooking for longer period, preheating accessories, cooking until creamy.
	FRYING	
7-8	STIR FRYING	Ideal for browning, starting to cook, bringing liquids to the boil quickly, frying deep-frozen products, grilling meat and fish, maintaining a lively boil.
	GRILLING	
9	FAST HEATING	Ideal for rapidly increasing the temperature of food or for heating up liquids (water).

**CLEANING AND MAINTENANCE**

**!** Disconnect the appliance from the power supply.

**CLEANING THE HOB SURFACE**

- All the enamelled and glass parts should be cleaned with warm water and a neutral solution.
- Stainless steel surfaces may be stained by calcareous water or aggressive detergents if left in contact for too long. Any food spills (water, sauce, coffee, etc.) should be wiped away before they dry.
- Clean with warm water and neutral detergent, and then dry with a soft cloth or chamois. Remove baked-on dirt with specific cleaners for stainless steel surfaces.

**NOTE: clean stainless steel only with soft cloth or sponge.**

- Do not use abrasive or corrosive products, chlorine-based cleaners or pan scourers.
- Do not use steam cleaning appliances.
- Do not use flammable products.
- Do not leave acid or alkaline substances, such as vinegar, mustard, salt, sugar or lemon juice on the hob.

**CLEANING THE HOB PARTS**

- Clean glass and enamelled parts only with soft cloth or sponge.
- Grids, burner caps and burners can be removed to be cleaned.

- Clean them by hand with warm water and non-abrasive detergent, removing any food residues and checking that none of the burner openings is clogged.
- Rinse and dry.
- **The cast-iron grates may be cleaned in the dishwasher. Remove any burnt-on food before placing the grates in the lowest rack in the dishwasher.**
- Refit burners and burner caps correctly in the respective housings.

- When replacing the grids, make sure that the panstand area is aligned with the burner.
- Models equipped with electrical ignition plugs and safety device require thorough cleaning of the plug end in order to ensure correct operation. Check these items frequently, and if necessary, clean them with a damp cloth. Any baked-on food should be removed with a toothpick or needle.

**NOTE: to avoid damaging the electric ignition device, do not use it when the burners are not in their housing.**

## TROUBLESHOOTING

If the hob does not operate correctly, before calling the After-Sales Service, refer to the Troubleshooting Guide to determine the problem

### 1. The burner fails to ignite, or the flame is not even

Check that:

- the gas or electrical supplies are not shut off and especially that the gas supply tap is open;
- the gas cylinder (liquid gas) is not empty;
- the burner openings are not clogged;
- the plug end is not dirty;
- all the burner parts have been positioned correctly;
- there are no draughts near the hob.

### 2. The burner does not stay lit

Check that:

- when lighting the burner, the knob has been pressed for enough time to activate the protection device;
- the burner openings are not clogged near the thermocouple;
- the end of the safety device is not dirty;
- the minimum gas setting is correct (see relevant paragraph).

### 3. The containers are not stable

Check that:

- the bottom of the container is perfectly flat;
- the container is centred on the burner;
- the grids have not been exchanged or positioned incorrectly.

If after the above checks the fault still occurs, get in touch with the nearest After Sales Service.

## AFTER-SALES SERVICE

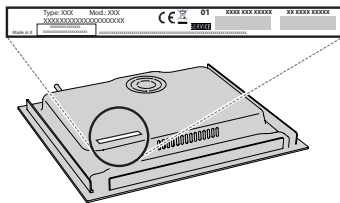
### BEFORE CALLING THE AFTER-SALES SERVICE:

1. See if you can solve the problem by yourself with the help of the **TROUBLESHOOTING** suggestions.
2. Switch the appliance off and back on again to see if the fault persists.

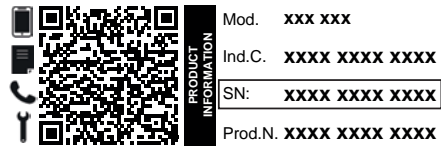
### IF AFTER THE ABOVE CHECKS THE FAULT STILL OCCURS, GET IN TOUCH WITH THE NEAREST AFTER-SALES SERVICE.

When contacting our Client After-sales service, always specify:

- a brief description of the fault;
- the type and exact model of the appliance;



- the serial number (number after the word SN on the rating plate located under the appliance). The serial number is also indicated in the documentation;

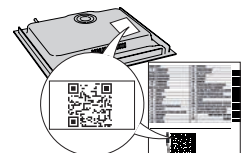


- your full address;
- your telephone number.

If any repairs are required, please contact an authorized after-sales service (to guarantee that original spare parts will be used and repairs carried out correctly).

### Policies, standard documentation and additional product information can be found by:

- Using QR code in your appliance;
- Visiting our website [docs.whirlpool.eu/docs](https://docs.whirlpool.eu/docs);
- Alternatively, **contact our After-sales Service** (See phone number in the warranty booklet). When contacting our After-sales Service, please state the codes provided on your product's identification plate.





## NORME DI SICUREZZA

⚠ Queste istruzioni sono valide se sull'apparecchio è riportato il simbolo del paese. Se il simbolo del paese non è presente sull'apparecchio occorre fare riferimento alle istruzioni tecniche, che contengono le istruzioni necessarie per la modifica dell'apparecchio secondo le condizioni d'uso del paese.

⚠ **ATTENZIONE:** l'uso di apparecchi di cottura a gas causa la produzione di calore, umidità e prodotti di combustione nel locale di installazione. La cucina deve essere ben ventilata, soprattutto durante l'uso dell'apparecchio: tenere aperti i canali di ventilazione naturali o installare un dispositivo di ventilazione meccanica (una cappa di estrazione meccanica). Un uso intensivo e prolungato dell'apparecchio può richiedere una ventilazione supplementare o più efficace, ad esempio l'apertura di una finestra o, se possibile, l'attivazione a una maggiore velocità di un dispositivo di ventilazione meccanica.

⚠ La mancata osservanza delle informazioni contenute in questo manuale può causare rischi di incendio o esplosione, con conseguenti danni materiali o lesioni personali.

Prima di utilizzare l'apparecchio, leggere le seguenti norme di sicurezza. Conservarle per eventuali consultazioni successive. Questo manuale e l'apparecchio sono corredati da importanti avvertenze di sicurezza, da leggere e rispettare sempre. Il fabbricante declina qualsiasi responsabilità che derivi dalla mancata osservanza delle presenti istruzioni di sicurezza, da usi impropri dell'apparecchio o da errate impostazioni dei comandi.

⚠ **AVVERTENZA:** Se la superficie del piano cottura è incrinata, non utilizzare l'apparecchio per evitare il rischio di folgorazione.

⚠ **AVVERTENZA:** Pericolo di incendio: non appoggiare oggetti sulle superfici di cottura.

⚠ **ATTENZIONE:** Il processo di cottura deve essere sorvegliato. I processi di cottura brevi richiedono una supervisione continua.

⚠ **AVVERTENZA:** La cottura non sorvegliata su un piano di cottura con grasso e olio può essere pericolosa e generare incendi. Non tentare MAI di spegnere le fiamme con acqua. Al contrario, spegnere l'apparecchio e soffocare le fiamme, ad esempio con un coperchio o una coperta antincendio.

⚠ Non utilizzare il piano di cottura come superficie di lavoro o appoggio. Non avvicinare all'apparecchio stoffe o altri materiali infiammabili fino a che tutti i componenti non si siano completamente raffreddati per evitare il rischio di incendi.

⚠ Tenere l'apparecchio fuori dalla portata dei bambini di età inferiore a 3 anni. Senza la sorveglianza costante di un adulto, tenere l'apparecchio fuori dalla portata dei bambini di età inferiore a 8 anni. I bambini di età superiore agli 8 anni, le persone con ridotte capacità fisiche, sensoriali o mentali e le persone che non abbiano esperienza o conoscenza dell'apparecchio potranno utilizzarlo solo sotto sorveglianza, o quando siano state istruite sull'utilizzo sicuro dell'apparecchio e siano consapevoli dei rischi del suo utilizzo. Vietare ai bambini di giocare con l'apparecchio. La pulizia e la manutenzione ordinaria non devono essere effettuate da bambini senza la supervisione di un adulto.

⚠ **ATTENZIONE:** in caso di rottura del vetro del piano di cottura: spegnere immediatamente tutti i bruciatori e le resistenze elettriche e scollegare l'apparecchio

## IMPORTANTE: DA LEGGERE E OSSERVARE

dall'alimentazione, non toccare la superficie dell'apparecchio; non utilizzare l'apparecchio.

Il coperchio di vetro può rompersi se viene riscaldato. Prima di chiudere il coperchio, spegnere tutti i bruciatori e le piastre elettriche. Non chiudere il coperchio se i bruciatori sono accesi.

⚠ **AVVERTENZA:** L'apparecchio e i suoi componenti accessibili possono diventare molto caldi durante l'uso. Fare attenzione a non toccare gli elementi riscaldanti. Tenere lontani i bambini di età inferiore agli 8 anni, a meno che non siano costantemente sorvegliati.

⚠ L'alimento non deve essere lasciato nel o sul prodotto per più di un'ora prima o dopo la cottura.

### USO CONSENTITO

⚠ **ATTENZIONE:** l'apparecchio non è destinato ad essere messo in funzione mediante un dispositivo di commutazione esterno, ad esempio un temporizzatore, o attraverso un sistema di comando a distanza separato.

⚠ L'apparecchio è destinato all'uso domestico e ad applicazioni analoghe, quali: aree di cucina per il personale di negozi, uffici e altri contesti lavorativi; agriturismi; camere di hotel, motel, bed & breakfast e altri ambienti residenziali.

⚠ Non sono consentiti altri usi (ad esempio, il riscaldamento di locali).

⚠ Questo apparecchio non è destinato all'uso professionale. Non utilizzare l'apparecchio all'aperto.

⚠ Utilizzare pentole e tegami di diametro pari o leggermente superiore al diametro dei bruciatori (vedere la tabella). Evitare che le pentole, posizionate sulle griglie, fuoriescano dal perimetro del piano di cottura.

⚠ L'uso improprio delle griglie potrebbe danneggiare il piano: evitare di appoggiare le griglie capovolte o di trascinarle sul piano.

Non lasciare che la fiamma del bruciatore si estenda oltre il bordo della pentola.

Se la superficie del piano è in vetro, non utilizzare le bisticchiere in ghisa, le pietre di collare, le pentole e le padelle in terracotta.

Non utilizzare: dissipatori di rete metallica o di altro tipo; due bruciatori simultaneamente per la cottura con un solo recipiente (ad esempio una pesciera).

Qualora particolari condizioni del gas erogato localmente rendessero difficoltosa l'accensione del bruciatore, si consiglia di ripetere l'operazione con la manopola ruotata sulla posizione della fiamma piccola.

In caso di installazione di una cappa sul piano di cottura, fare riferimento alle relative istruzioni per la distanza corretta.

I piedini di protezione in gomma sotto le griglie potrebbero essere ingeriti dai bambini piccoli rappresentando il rischio di soffocamento. Dopo avere rimosso le griglie, controllare che tutti i piedini siano montati correttamente.

### INSTALLAZIONE

⚠ Per evitare il rischio di lesioni personali, le operazioni di movimentazione e installazione dell'apparecchio devono essere eseguite da almeno due persone. Per evitare rischi di taglio, durante le operazioni di disimballaggio e installazione utilizzare i guanti protettivi.

⚠ I collegamenti di gas ed elettricità devono essere conformi alle norme locali.

⚠ L'installazione, comprendente anche eventuali raccordi per l'alimentazione idrica e i collegamenti elettrici, e gli interventi di riparazione devono essere eseguiti da personale qualificato. Non riparare o sostituire qualsiasi parte dell'apparecchio se non espressamente richiesto nel manuale d'uso. Tenere i bambini a distanza dal luogo dell'installazione. Dopo aver

disimballato l'apparecchio, assicurarsi che non sia stato danneggiato durante il trasporto. In caso di problemi, contattare il rivenditore o il Servizio Assistenza. A installazione completata, conservare il materiale di imballaggio (parti in plastica, polistirolo, ecc.) fuori della portata dei bambini per evitare potenziali rischi di soffocamento. Prima di procedere all'installazione, scollegare l'apparecchio dalla rete elettrica per non correre il rischio di scosse elettriche. Per evitare il rischio di incendio o di folgorazione, durante l'installazione assicurarsi che l'apparecchio non danneggi il cavo di alimentazione. Attivare l'apparecchio solo dopo avere completato la procedura di installazione.

⚠ **AVVERTENZA:** la modifica dell'apparecchio e del metodo di installazione sono essenziali per il suo utilizzo sicuro e corretto in ogni paese.

⚠ Utilizzare regolatori di pressione idonei alla pressione del gas indicata nelle istruzioni.

⚠ Il locale deve essere provvisto di un sistema di estrazione dell'aria in grado di espellere i fumi prodotti dalla combustione.

⚠ Il locale deve inoltre consentire un'adeguata circolazione dell'aria, in quanto l'aria è necessaria per la normale combustione. Il flusso d'aria non deve essere inferiore a 2 m<sup>3</sup>/h per ogni kW di potenza installata.

⚠ Il sistema di circolazione può aspirare l'aria direttamente dall'esterno mediante una tubazione con sezione interna non inferiore a 100 cm<sup>2</sup>; l'apertura non deve essere soggetta ad alcun tipo di ostruzione.

⚠ Il sistema può fornire l'aria necessaria per la combustione anche in modo indiretto, ad esempio da locali adiacenti provvisti di tubazioni di circolazione dell'aria del tipo sopra descritto. Tali locali, tuttavia, non devono essere spazi comuni, camere da letto o stanze che possano presentare rischi d'incendio.

⚠ Il gas di petrolio liquido (GPL) si sposta verso terra perché è più pesante dell'aria. Per questa ragione, i locali che contengano bombole di GPL devono essere provvisti di sfiami che consentano al gas di fuoriuscire in caso di perdite. Le bombole di GPL, anche solo parzialmente piene, non devono essere installate o conservate in locali o aree di deposito situate sotto il piano terreno (cantine, ecc.). È consigliabile tenere nel locale solo la bombola in uso, posizionandola in modo che non sia esposta a fonti di calore esterne (forni, camini, stufe, ecc.) che possano innalzare la temperatura della bombola oltre 50°C.

Se la rotazione delle manopole dei bruciatori dovesse risultare difficoltosa, contattare il Servizio Assistenza, che in caso di rubinetto difettoso provvederà a sostituirlo.

Le aperture utilizzate per la ventilazione e la dispersione del calore non devono mai essere coperte.

⚠ Eseguire tutte le operazioni di taglio del mobile prima di inserire il forno, avendo cura di rimuovere trucioli o residui di segatura.

⚠ Se l'apparecchio non è installato sopra un forno, è necessario installare un pannello divisorio (non in dotazione) nel vano sottostante.

### **COLLEGAMENTO DEL GAS**

⚠ **AVVERTENZA:** Prima dell'installazione, controllare che le condizioni di distribuzione del locale (tipo e pressione del gas) siano compatibili con la configurazione dell'apparecchio.

⚠ Controllare che la pressione del gas dell'impianto sia in linea con i valori riportati nella Tabella "Specifiche di bruciatori e ugelli".

⚠ **AVVERTENZA:** le condizioni di configurazione dell'apparecchio sono riportate sull'etichetta (o sulla targhetta matricola).

⚠ **AVVERTENZA:** questo apparecchio non è collegato a un dispositivo di evacuazione dei prodotti di combustione. l'installazione e l'allacciamento devono essere eseguiti in conformità alle norme vigenti. Prestare particolare attenzione ai requisiti in materia di ventilazione.

⚠ Se l'apparecchio è collegato a un impianto a gas liquido, la vite di regolazione deve essere serrata con la massima forza possibile.

⚠ **IMPORTANTE:** se si utilizza una bombola di gas o è installato un serbatoio di gas, questi devono essere posizionati correttamente (orientamento verticale).

⚠ **AVVERTENZA:** questa operazione deve essere eseguita da un tecnico qualificato.

⚠ Per l'allacciamento del gas, utilizzare solo un tubo di metallo flessibile o rigido.

⚠ **Collegamento con tubo rigido (rame o acciaio)**  
Il collegamento all'impianto del gas deve essere eseguito in modo da evitare qualsiasi forma di compressione o di trazione sull'apparecchio. Sulla rampa di alimentazione dell'apparecchio si trova un raccordo a L regolabile, provvisto di una guarnizione di tenuta contro le perdite. La guarnizione deve essere riapplicata dopo ogni rotazione del raccordo (la guarnizione è in dotazione con l'apparecchio). Il raccordo per il tubo di mandata del gas è un attacco maschio cilindrico 1/2 filettato.

⚠ **Collegamento di un tubo in acciaio inox flessibile senza saldature a un attacco filettato**  
Il raccordo per il tubo di mandata del gas è un attacco maschio cilindrico 1/2 filettato. Questi tubi devono essere installati in modo che la loro estensione completa non superi i 2000 mm di lunghezza. Una volta eseguito il collegamento, controllare che il tubo in metallo flessibile non entri a contatto con parti mobili e non sia compresso. Usare solo tubi e guarnizioni conformi alle norme nazionali vigenti.

⚠ **IMPORTANTE:** nel caso si utilizzi un tubo in acciaio inox, questo dovrà essere installato in modo da non entrare in contatto con parti mobili (es. cassette). Il tubo deve passare in un'area libera da ingombri e deve essere ispezionabile su tutta la lunghezza.

⚠ L'apparecchio deve essere collegato all'impianto del gas o alla bombola del gas in conformità alle norme nazionali vigenti. Prima di procedere al collegamento, verificare che l'apparecchio sia compatibile con l'impianto di alimentazione del gas che si intende utilizzare. In caso contrario, seguire le istruzioni del paragrafo "Adattamento dell'apparecchio al tipo di gas".

⚠ Dopo il collegamento all'alimentazione del gas, verificare con una soluzione di acqua saponata che non vi siano perdite. Con i bruciatori accesi, ruotare le manopole dalla posizione massima 1\* alla posizione minima 2\* per verificare la stabilità della fiamma.

## ADATTAMENTO DELL'APPARECCHIO AL TIPO DI GAS

(Questa operazione deve essere eseguita da un tecnico qualificato).

⚠ Per adattare l'apparecchio a un tipo di gas diverso da quello per il quale è stato prodotto (indicato sull'etichetta), seguire la procedura riportata dopo i disegni di installazione.

## AVVERTENZE ELETTRICHE

⚠ **IMPORTANTE:** Le informazioni sui consumi di corrente e tensione sono riportate sulla targhetta matricola.

⚠ Il cavo di alimentazione deve essere sufficientemente lungo da consentire il collegamento dell'apparecchio, una volta posizionato nell'ubicazione definitiva, alla presa di corrente. Non tirare il cavo di alimentazione.

⚠ Deve essere possibile scollegare l'apparecchio dalla rete elettrica disinserendo la spina, se questa è accessibile, o tramite un interruttore multipolare installato a monte della presa nel rispetto dei regolamenti elettrici vigenti; inoltre, l'apparecchio deve essere messo a terra in conformità alle norme di sicurezza elettrica nazionali.

⚠ Non utilizzare cavi di prolunga, prese multiple o adattatori. Una volta terminata l'installazione, i componenti elettrici non devono più essere accessibili. Non utilizzare l'apparecchio quando si è bagnati oppure a piedi nudi. Non accendere l'apparecchio se il cavo di alimentazione o la spina sono danneggiati, se si osservano anomalie di funzionamento o se l'apparecchio è caduto o è stato danneggiato.

⚠ Se il cavo di alimentazione è danneggiato, deve essere sostituito con uno dello stesso tipo dal produttore, da un centro di assistenza autorizzato o da un tecnico qualificato per evitare situazioni di pericolo o rischi di scosse elettriche.


## PULIZIA E MANUTENZIONE

⚠ **AVVERTENZA:** Per evitare rischi di folgorazione, prima di qualsiasi intervento di manutenzione accertarsi che l'apparecchio sia spento e scollegato dall'alimentazione elettrica; non usare in nessun caso pulitrici a getto di vapore.

⚠ Non utilizzare prodotti abrasivi o corrosivi, prodotti a base di cloro o pagliette.

⚠ Per evitare danni all'accensione elettrica, non utilizzarla quando i bruciatori non sono nella loro sede.

## SMALTIMENTO DEL MATERIALE DI IMBALLAGGIO


Il materiale di imballaggio è riciclabile al 100% ed è contrassegnato dal simbolo del riciclaggio .

Le varie parti dell'imballaggio devono pertanto essere smaltite responsabilmente e in stretta osservanza delle norme stabilite dalle autorità locali.

## SMALTIMENTO DEGLI ELETTRODOMESTICI

Questo prodotto è fabbricato con materiale riciclabile o riutilizzabile. Smaltire il prodotto rispettando le normative locali in materia. Per ulteriori informazioni sul trattamento, il recupero e il riciclaggio degli elettrodomestici, contattare l'ufficio locale competente, il servizio di raccolta dei rifiuti domestici o il negozio presso il quale il prodotto è stato acquistato. Questo apparecchio è contrassegnato in conformità alla direttiva europea 2012/19/UE, Rifiuti di apparecchiature elettriche ed elettroniche (RAEE) e alle norme sui rifiuti di apparecchiature elettriche ed elettroniche 2013 (e successive modifiche).

Assicurandosi che questo prodotto sia smaltito in modo corretto, l'utente contribuisce a prevenire le conseguenze negative per l'ambiente e la salute.

Il simbolo  sul prodotto o sulla documentazione di accompagnamento indica che questo apparecchio non deve essere smaltito come rifiuto domestico, bensì conferito presso un centro di raccolta preposto al ritiro delle apparecchiature elettriche ed elettroniche.

## CONSIGLI PER IL RISPARMIO ENERGETICO

Utilizzare pentole e tegami con diametro del fondo corrispondente al diametro della zona di cottura.

Utilizzare solo pentole e padelle con fondo piatto.

Se possibile, tenere il coperchio sulle pentole durante la cottura.

Utilizzare la pentola a pressione per ridurre il consumo di energia e il tempo di cottura.

## DICHIARAZIONE DI CONFORMITÀ

Questo apparecchio soddisfa i requisiti di Ecodesign del regolamento europeo 66/2014 e l'Ecodesign per i prodotti connessi all'energia e le informazioni sull'energia (emendamento) (Uscita UE) Regolamenti 2019 in conformità con la norma europea EN 30-2-1.

Le informazioni relative alla modalità a basso consumo dell'apparecchio in conformità con il Regolamento (UE) 2023/826 sono disponibili al seguente link: <https://docs.emeaappliance-docs.eu>.

Tipo di gas utilizzato	Tipo di bruciatore	Iniettore	Portata termica nominale kW	Consumo nominale	Potenza termica ridotta kW	Pressione del gas mbar		
						min.	nom.	max.
GAS NATURALE (Metano) <b>G20</b>	Rapido (R)	128 B	3,00	286 l/h	0,70	17	20	25
	Semirapido (SR)	97	1,75	167 l/h	0,40			
	Ausiliario (AUX)	78 A	1,00	95 l/h	0,40			
	DCC (esterno + interno)	155 S4 + 70 H1	5,00	476 l/h	2,20			
	DCC - Interno	70 H1	0,90	86 l/h	0,30			
GAS PETROLIO LIQUIDO (Butano) <b>G30</b>	Rapido (R)	87	3,00	218 g/h	0,70	20	28-30	35
	Semirapido (SR)	67	1,75	127 g/h	0,40			
	Ausiliario (AUX)	50	1,00	73 g/h	0,40			
	DCC (esterno + interno)	100 + 44	4,60	334 g/h	2,20			
	DCC - Interno	44	0,80	58 g/h	0,30			
GAS PETROLIO LIQUIDO (Propano) <b>G31</b>	Rapido (R)	87	3,00	214 g/h	0,70	25	37	45
	Semirapido (SR)	67	1,75	125 g/h	0,40			
	Ausiliario (AUX)	50	1,00	71 g/h	0,40			
	DCC (esterno + interno)	100 + 44	4,60	329 g/h	2,20			
	DCC - Interno	44	0,80	57 g/h	0,30			

Tipo di gas utilizzato	Configurazione modello 5 BRUCIATORI	Potenza termica nominale (kW)	Consumo totale nominale	Aria necessaria (m <sup>3</sup> ) per la combustione di 1 m <sup>3</sup> di gas
<b>G20</b> 20 mbar	1R - 2SR - 1AUX - 1DCC	12,50	1190 l/h	9,52
<b>G30</b> 28-30 mbar	1R - 2SR - 1AUX - 1DCC	12,10	880 g/h	30,94
<b>G31</b> 37 mbar	1R - 2SR - 1AUX - 1DCC	12,10	864 g/h	23,80

ALIMENTAZIONE ELETTRICA: 220-240 V ~ 50-60 Hz - 0,6W

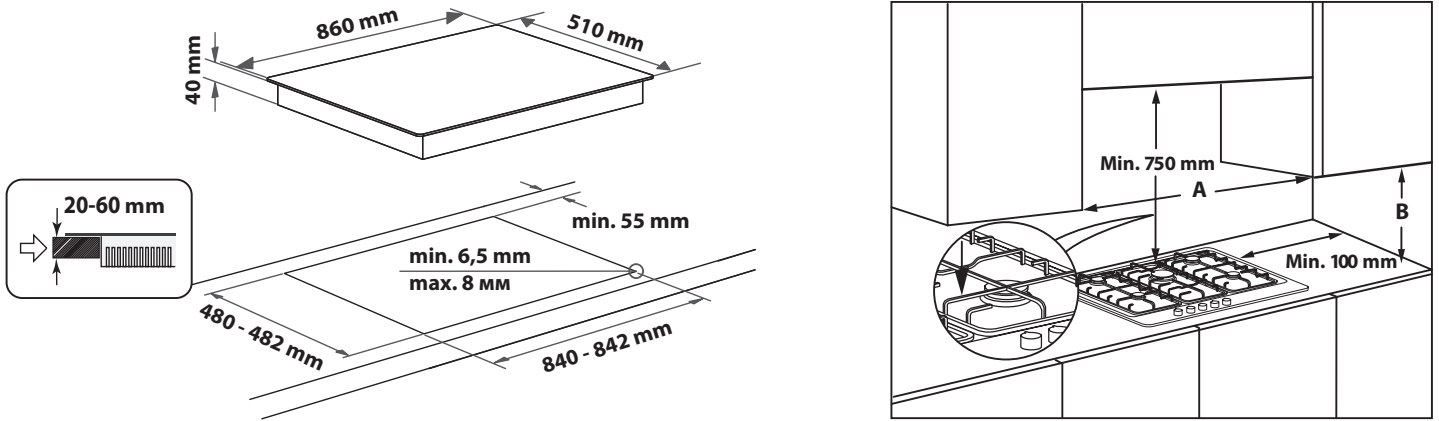


# INSTALLAZIONE (CLASSE 3)

## INFORMAZIONI TECNICHE PER L'INSTALLATORE

- Utilizzare guanti protettivi per maneggiare, preparare e installare il prodotto.
- Questo prodotto può essere incassato in un top (piano di lavoro) dello spessore di 20 ÷ 60 mm.
- Se sotto il piano di cottura non è previsto un forno, inserire un pannello separatore che abbia una superficie pari almeno all'apertura nel piano di lavoro. Tale pannello deve essere posizionato a una distanza massima di 150 mm dalla superficie superiore del piano di lavoro e in nessun caso inferiore a 20 mm dal fondo del piano di cottura. In caso si intenda installare un forno sotto il piano di cottura, assicurarsi che il forno sia dotato di un sistema di raffreddamento.

## DIMENSIONI E DISTANZE DA RISPETTARE



**NOTA:** se la distanza "A" tra i pensili è compresa tra 600 mm e 730 mm, l'altezza "B" deve essere minimo 530 mm.  
Se la distanza "A" tra i pensili è maggiore della larghezza del piano di cottura, l'altezza "B" deve essere minimo 400 mm.  
Qualora venga installata una cappa sopra il piano di cottura, fare riferimento alle istruzioni di montaggio della cappa per la distanza da rispettare.

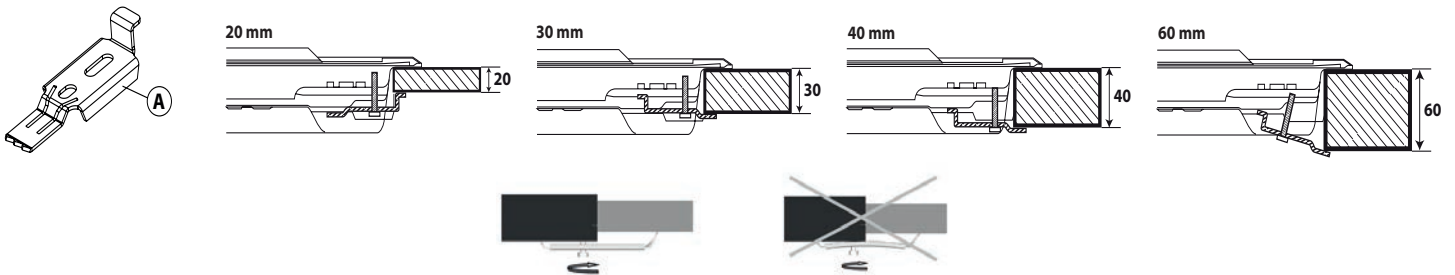
## MONTAGGIO

Dopo aver pulito la superficie perimetrale, applicare al piano di cottura la guarnizione in dotazione come mostrato in figura.

Posizionare il piano all'interno dell'apertura praticata secondo le dimensioni indicate nelle istruzioni.

**NOTA:** il cavo di alimentazione deve essere sufficientemente lungo da permetterne l'estrazione dall'alto.

Per bloccare il piano di cottura, utilizzare le staffe (A) in dotazione. Posizionare le staffe in corrispondenza dei fori evidenziati dalla freccia e fissarle con le apposite viti in modo da adattarle allo spessore del top (vedere le figure seguenti).

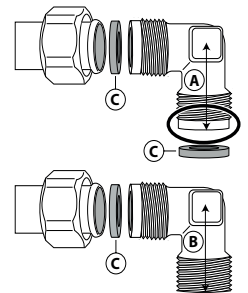


## COLLEGAMENTO GAS

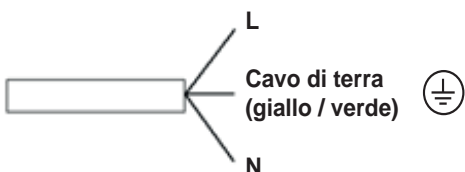
- Collegare il raccordo a gomito (A)\* o (B)\* fornito insieme al tubo di alimentazione principale del piano di cottura e interporre la guarnizione (C) in dotazione, a norma EN 549.

\* Utilizzare il raccordo a gomito (A) per la Francia e il raccordo a gomito (B) per tutti gli altri paesi.

- Dopo il collegamento all'alimentazione del gas, verificare con una soluzione di acqua saponata che non vi siano perdite. Con i bruciatori accesi, ruotare le manopole dalla posizione massima (flame icon) alla posizione minima (flame icon) per verificare la stabilità della fiamma.



## CONNESSIONE ELETTRICA



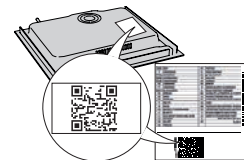
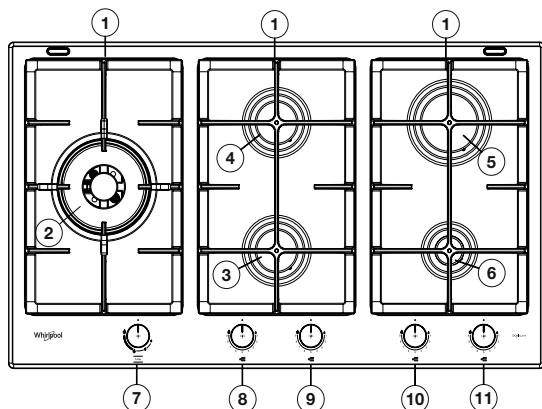
**GRAZIE PER AVERE ACQUISTATO UN PRODOTTO WHIRLPOOL**

Per ricevere un'assistenza più completa, registrare il prodotto su [www.register10.eu](http://www.register10.eu).



**Prima di utilizzare l'apparecchio leggere attentamente le istruzioni di sicurezza.**

**SI PREGA DI SCANSIONARE IL CODICE QR SUL PROPRIO APPARECCHIO PER OTTENERE MAGGIORI INFORMAZIONI**

**DESCRIZIONE DEL PRODOTTO**

1. Griglie amovibili
2. Bruciatore 2 corone
3. Bruciatore Semirapido
4. Bruciatore Semirapido
5. Bruciatore Rapido
6. Bruciatore Ausiliario
7. Manopola comando del bruciatore 2 corone
8. Manopola comando del bruciatore Rapido
9. Manopola comando del bruciatore 2 corone
10. Manopola comando del bruciatore Semirapido
11. Manopola comando del bruciatore Ausiliario

**Simboli**

- Pallino pieno ● Rubinetto chiuso
- Fiamma grande Massima apertura/erogazione e accensione elettrica
- Fiamma piccola Minima apertura o erogazione ridotta

5 kw

**USO QUOTIDIANO****UTILIZZO DEL PIANO DI COTTURA**

Non lasciare che la fiamma del bruciatore si estenda oltre il bordo della pentola.

**IMPORTANTE: quando è in funzione, tutta la superficie del piano di cottura potrebbe riscaldarsi.**

- Per accendere uno dei bruciatori, ruotare la manopola corrispondente in senso antiorario fino a far coincidere l'indice con il simbolo di fiamma massima.
- Premere la manopola contro la mascherina dei comandi per accendere il bruciatore.
- Una volta acceso il bruciatore, è necessario continuare a tenere premuta la manopola per circa 5-10 secondi per consentire il corretto funzionamento del dispositivo.
- Si tratta di un dispositivo di sicurezza che interrompe la fuoriuscita di gas in caso di spegnimento accidentale della fiamma (dovuto a correnti d'aria, interruzione momentanea dell'alimentazione del gas, traboccamenti di liquidi, ecc.).
- **La manopola non deve essere tenuta premuta per più di 15 secondi. Se, trascorso tale tempo, il bruciatore non rimane acceso, attendere almeno un minuto prima di tentare un'ulteriore accensione.**

**NOTA: qualora particolari condizioni del gas erogato localmente rendessero difficoltosa l'accensione del bruciatore, si consiglia di ripetere l'operazione con la manopola ruotata sulla posizione della fiamma piccola.**

**Può accadere che il bruciatore si spenga al momento del rilascio della manopola.** Ciò indica che il dispositivo di sicurezza non si è scaldato a sufficienza. In questo caso, ripetere le operazioni sopra descritte.

Nel caso di una estinzione accidentale delle fiamme del bruciatore, chiudere la manopola di comando e non tentare di accenderlo per almeno 1 minuto.

**CONSIGLI PRATICI PER L'USO DEI BRUCIATORI**

Questo piano di cottura è dotato di bruciatori con diametri diversi. Al fine di ottenere il massimo rendimento, è utile attenersi alle seguenti regole:

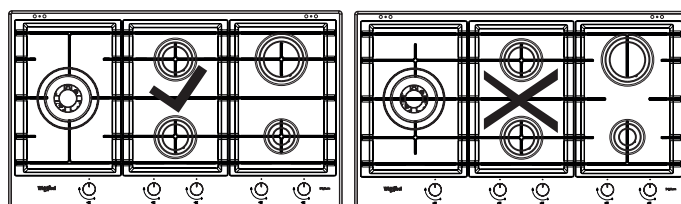
- utilizzare pentole e tegami di diametro pari o leggermente superiore al diametro dei bruciatori (vedere la tabella a destra);
- utilizzare soltanto pentole e tegami con fondi piatti;
- utilizzare la giusta quantità d'acqua per la cottura dei cibi e usare il coperchio;
- evitare che le pentole, posizionate sulle griglie, fuoriescano dal perimetro del piano di cottura;
- nel caso di recipienti con fondo convesso (WOK), utilizzare la griglia di supporto che deve essere posizionata solo sul bruciatore multicorona;
- evitare urti accidentali con pentole, griglie o altri utensili da cucina;
- non lasciare bisteccchiere vuote sul fornello acceso per più di 5 minuti.

**IMPORTANTE: l'uso improprio delle griglie potrebbe danneggiare il piano; evitare di appoggiare le griglie capovolte o di trascinarle sul piano.**

BRUCIATORE	Ø RECIPIENTI
2 Corone	da 24 a 26 cm
Rapido	da 24 a 26 cm
Semirapido	da 16 a 22 cm
Ausiliario	da 8 a 14 cm

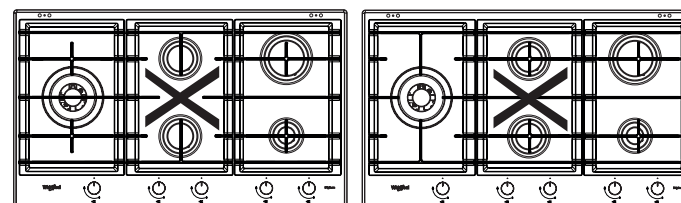
Non utilizzare:

- bisteccchiere in ghisa, supporti in pietra naturale, tegami o pentole in terracotta;
- dissipatori di rete metallica o di altro tipo;
- due bruciatori simultaneamente per la cottura con un solo recipiente (ad esempio una pesciera).

**POSIZIONAMENTO CORRETTO DELLE GRIGLIE**

OK

NO



NO

NO

**ADATTAMENTO AI DIVERSI TIPI DI GAS**

Questa operazione deve essere eseguita da un tecnico qualificato.

In caso di utilizzo con un gas diverso da quello indicato sulla targhetta matricola e sull'etichetta informativa posta sulla parte superiore del piano di cottura, è necessario sostituire gli iniettori.

L'etichetta informativa va rimossa e conservata insieme al libretto istruzioni.

### Utilizzare regolatori di pressione idonei alla pressione del gas indicata nelle istruzioni:

- per la sostituzione degli iniettori del gas, rivolgersi al servizio assistenza o a un tecnico qualificato;
- gli iniettori non forniti in dotazione devono essere richiesti al servizio assistenza;
- regolare il minimo dei rubinetti.

**NOTA:** se si utilizza gas di petrolio liquefatto (G30/G31), la vite di regolazione del minimo deve essere avvvitata a fondo.

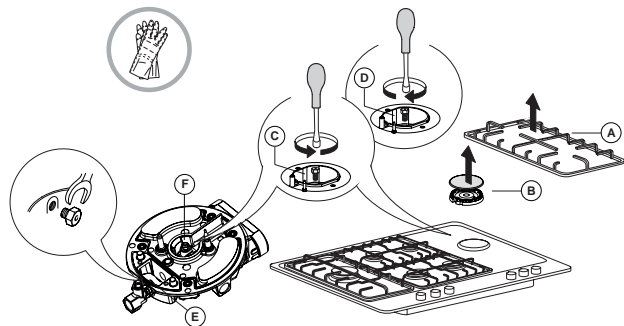
**IMPORTANTE:** se la rotazione delle manopole dei bruciatori dovesse risultare difficoltosa, contattare il Servizio di assistenza tecnica autorizzato che provvederà alla sostituzione del rubinetto, se difettoso.

**IMPORTANTE:** se si utilizza la bombola del gas, questa deve essere posizionata correttamente (orientamento verticale).

### SOSTITUZIONE DEGLI INIETTORI (per il tipo vedere tabella ugelli nelle Norme di Sicurezza)

⚠ Questa operazione deve essere eseguita da un tecnico qualificato.

- Rimuovere le griglie (A).
- Estrarre i bruciatori (B).
- Con una chiave a tubo della dimensione appropriata, svitare l'iniettore da sostituire (C).
- Sostituirlo con l'iniettore previsto per il nuovo tipo di gas.
- Rimontare l'iniettore in (D).
- Se si dispone di un bruciatore a corona multipla, utilizzare una chiave laterale per sostituire l'iniettore (E) e una chiave a tubo per sostituire l'iniettore (F).



Prima di installare il piano di cottura, ricordarsi di applicare la targhetta di taratura gas fornita con gli iniettori di ricambio, in modo che copra le informazioni già presenti.

### REGOLAZIONE DEL MINIMO DEI BRUCIATORI

⚠ Questa operazione deve essere eseguita da un tecnico qualificato.

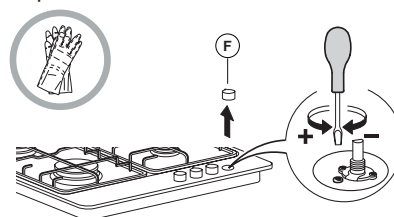
La regolazione deve essere eseguita con il rubinetto nella posizione di minimo (fiamma piccola).

Non occorre regolare l'aria primaria dei bruciatori.

Per garantire una corretta regolazione del minimo, rimuovere la manopola e procedere nel modo seguente:

- avvitare la vite per ridurre l'altezza della fiamma (-);
- allentare la vite per aumentare l'altezza della fiamma (+);

Con i bruciatori accesi, ruotare le manopole dalla posizione massima alla posizione minima per verificare la stabilità della fiamma.



Terminata la regolazione, ripristinare i sigilli con ceralacca o materiale equivalente.

## TABELLA DI COTTURA

LIVELLO	METODO/TIPO DI COTTURA (CONSIGLIATO PER)	CONSIGLI PER LA COTTURA
1-2	MANTENIMENTO IN CALDO	Ideale per ammorbidire il burro, fondere delicatamente il cioccolato a bagnomaria, scongelare piccole porzioni, mantecare risotti.
	COTTURA DELICATA	
3-4	COTTURA IN UMIDO	Ideale per cuocere a fuoco lento (riso, sughi, arrosti, pesce) con l'uso di liquidi (acqua, vino, brodo) e mantecare la pasta mantenendo un leggero bollore.
	STUFATI	
5-6	ARROSTI	Ideale per rosolare e stufare le verdure, effettuare cotture prolungate, preriscaldare gli accessori, addensare.
	FRITTURA	
7-8	FRITTURA AL SALTO	Ideale per rosolare, iniziare la cottura, portare a ebollizione rapidamente, friggere prodotti surgelati, grigliare carne e pesce, mantenere un bollore vivace.
	GRIGLIARE	
9	RISCALDAMENTO RAPIDO	Ideale per innalzare in breve tempo la temperatura degli alimenti o riscaldare liquidi (acqua).

## PULIZIA E CURA

⚠ Scollegare l'alimentazione prima di eseguire la manutenzione.

### PULIZIA DEL PIANO COTTURA

- Le parti smaltate e in vetro vanno lavate con acqua calda e detergente neutro.
- L'acqua calcarea o detersivi aggressivi potrebbero lasciare macchie sulle superfici in acciaio inox, se rimangono a contatto troppo a lungo. Eliminare prontamente eventuali residui di cibo (acqua, sugo, caffè, ecc.) prima che si seccino.
- Pulire con acqua calda e detergente neutro, quindi asciugare con un panno morbido o una pelle di daino. In caso di sporco difficile, usare esclusivamente detersivi indicati per le superfici in acciaio inox.

**NOTA:** pulire le superfici in acciaio inox solo con un panno morbido o una spugna.

- Non utilizzare prodotti abrasivi o corrosivi, prodotti a base di cloro o pagliette.
- Non utilizzare pulitrici a getto di vapore.
- Non utilizzare prodotti infiammabili.
- Evitare di lasciare sul piano sostanze acide o alcaline come aceto, mostarda, sale, zucchero o succo di limone.

## PULIZIA DEI COMPONENTI DEL PIANO

- Le griglie, i cappellotti e i bruciatori sono rimovibili per facilitarne la pulizia.
- Lavarli a mano con acqua calda e detersivo non aggressivo avendo cura di eliminare eventuali incrostazioni e controllando che nessuna delle aperture del bruciatore sia otturata.
- Sciacquare e asciugare.
- **Le griglie in ghisa possono essere pulite in lavastoviglie.**  
**Rimuovere eventuali residui di cibo bruciato prima di riporre le griglie nel cestello più basso della lavastoviglie.**
- Rimontare correttamente bruciatori e cappellotti nelle rispettive sedi.

- Nel riposizionare le griglie, assicurarsi che la zona di appoggio delle pentole sia allineata con il bruciatore.
- Nei modelli dotati di candeline di accensione elettrica e di termocoppie di sicurezza, occorre procedere a un'accurata pulizia della parte terminale della candelina per assicurarne il buon funzionamento. Controllare questi componenti frequentemente e, se necessario, pulirli con un panno umido. Eventuali residui di cibo secchi vanno rimossi con uno stuzzicadenti o un ago.

**NOTA: per evitare danni all'accensione elettrica, non utilizzarla quando i bruciatori non sono nella loro sede.**

## RISOLUZIONE DEI PROBLEMI

Se il piano cottura non funziona correttamente, prima di chiamare l'assistenza esaminare questa guida rapida per individuare il problema.

### 1. Il bruciatore non si accende o la fiamma non è uniforme

Controllare che:

- non ci siano interruzioni nella rete di alimentazione del gas ed elettrica e, in particolare, che il rubinetto del gas sia aperto;
- la bombola del gas liquido non si sia esaurita;
- le aperture del bruciatore non siano ostruite;
- la parte terminale della candelina non sia sporca;
- tutte le parti che compongono il bruciatore siano posizionate correttamente;
- non ci siano correnti d'aria in prossimità del piano.

### 2. La fiamma non rimane accesa

Controllare che:

- la manopola sia stata premuta a fondo durante l'accensione del bruciatore per il tempo sufficiente ad attivare il dispositivo di sicurezza;
- le aperture del bruciatore non siano ostruite in corrispondenza della termocoppia;
- la parte terminale del dispositivo di sicurezza non sia sporca;
- la regolazione del minimo sia corretta (vedere il paragrafo corrispondente).

### 3. I recipienti sono instabili

Controllare che:

- il fondo del recipiente sia perfettamente piano;
- il recipiente sia centrato sul bruciatore;
- le griglie non siano state invertite o posizionate in modo errato.

Se dopo le suddette verifiche il problema persiste, contattare il Servizio Assistenza più vicino.

## SERVIZIO ASSISTENZA

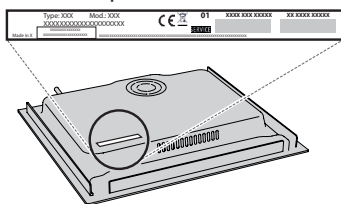
### PRIMA DI CHIAMARE IL SERVIZIO ASSISTENZA:

1. Verificare se non sia possibile eliminare da soli i guasti. Vedere "RISOLUZIONE DEI PROBLEMI".
2. Spegnerne e riaccendere l'apparecchio per assicurarsi che l'inconveniente sia stato eliminato.

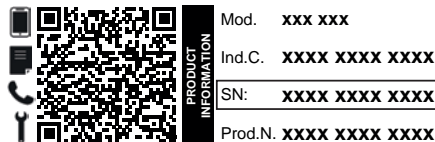
### SE DOPO I SUDDETTI CONTROLLI IL PROBLEMA PERSISTE, CONTATTARE IL SERVIZIO ASSISTENZA PIÙ VICINO.

Quando si contatta il nostro servizio assistenza, indicare sempre:

- una breve descrizione del guasto;
- il tipo e il modello esatti del prodotto;



- il numero di serie (è il numero che si trova dopo la parola SN sulla targhetta matricola posta sotto l'apparecchio). Il numero di serie è indicato anche nella documentazione;

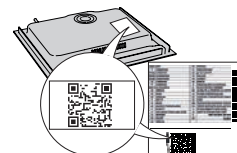


- il proprio indirizzo completo;
- il proprio numero di telefono.

Qualora si renda necessaria una riparazione, rivolgersi ad un centro del Servizio Assistenza (a garanzia dell'utilizzo di pezzi di ricambio originali e di una corretta riparazione).

### Per le linee guida, la documentazione standard e altre informazioni sui prodotti:

- Utilizzando il codice QR nel proprio apparecchio;
- Visitando il nostro sito web [docs.whirlpool.eu/docs](https://docs.whirlpool.eu/docs);
- Oppure, **contattare il Servizio Assistenza Tecnica** (al numero di telefono riportato sul libretto di garanzia). Prima di contattare il Servizio Assistenza Clienti, prepararsi a fornire i codici riportati sulla targhetta matricola del prodotto.





⚠ Estas instruções são válidas se o símbolo do país constar no aparelho. Caso o símbolo não conste no aparelho é necessário consultar as instruções técnicas que fornecem as instruções necessárias relativamente às condições de utilização específicas do país.

⚠ **ATENÇÃO:** A utilização do aparelho de cozedura a gás resulta numa produção de calor, humidade e produtos da combustão no espaço onde o aparelho está instalado. Certifique-se de que a cozinha dispõe de uma boa ventilação, especialmente durante a utilização do aparelho: mantenha os orifícios de ventilação natural abertos ou instale um dispositivo de ventilação mecânico (exaustor mecânico). A utilização intensiva prolongada do aparelho pode requerer uma ventilação adicional como, por exemplo, a abertura de janelas ou até de uma ventilação mais eficiente, aumentando o nível de ventilação mecânica (se possível).

⚠ A estrita inobservância das instruções contidas no presente manual pode levar a uma explosão, causando danos pessoais ou à propriedade.

Antes de utilizar o aparelho, leia estas instruções de segurança com atenção. Guarde-as por perto para consulta futura.

As presentes instruções e o próprio aparelho possuem informações importantes relativas à segurança, as quais deverá ler e respeitar sempre. O fabricante não se responsabiliza por quaisquer acontecimentos decorrentes do incumprimento das presentes instruções de segurança, da utilização inadequada do aparelho ou da configuração incorreta dos respectivos controlos.

⚠ **AVISO:** Se a superfície da placa estiver rachada, não utilize o aparelho - risco de choque elétrico.

⚠ **AVISO:** Perigo de incêndio: não guarde objetos nas superfícies de cozedura.

⚠ **ATENÇÃO:** O processo de cozedura tem de ser vigiado. Os processos de cozedura de curta duração devem ser continuamente vigiados.

⚠ **AVISO:** A cozedura de alimentos com gorduras ou óleos numa placa sem vigilância pode ser perigosa - risco de incêndio. NUNCA tente apagar um incêndio com água. Desligue o aparelho e depois cubra a chama, por exemplo com uma tampa ou manta antifogo.

⚠ Não utilize a placa como superfície ou suporte de trabalho. Mantenha quaisquer peças de vestuário ou outros materiais inflamáveis afastados do aparelho até que todos os componentes deste tenham arrefecido completamente, pois existe risco de incêndio.

⚠ As crianças até aos 3 anos deverão manter-se afastadas do aparelho. As crianças entre os 3 e os 8 anos devem ser mantidas afastadas do aparelho, exceto se estiverem sob supervisão permanente. Este aparelho pode ser utilizado por crianças a partir dos 8 anos e por pessoas com capacidades físicas, sensoriais ou mentais reduzidas ou com falta de experiência e conhecimento, desde que estejam sob supervisão ou tenham recebido instruções quanto à utilização segura deste aparelho e se compreenderem os perigos envolvidos. As crianças não devem brincar com o aparelho. A limpeza e a manutenção a

cargo do utilizador não devem ser realizadas por crianças sem supervisão.

⚠ **ATENÇÃO:** Caso o vidro da placa se parta: desligue de imediato todos os queimadores e qualquer elemento de aquecimento elétrico e isole o aparelho da alimentação de corrente; não toque na superfície do aparelho; não utilize o aparelho.

A tampa de vidro pode partir-se caso seja exposta ao calor. Desligue todos os queimadores e placas elétricas antes de fechar a tampa. Não feche a tampa caso algum queimador esteja ligado.

⚠ **AVISO:** O aparelho e os seus componentes acessíveis ficam quentes durante o funcionamento. Deve ter-se cuidado para evitar tocar nos elementos quentes. Mantenha as crianças com idade inferior a 8 anos afastadas do aparelho a menos que estejam vigiadas em permanência.

⚠ Os alimentos não devem ser deixados dentro ou sobre o produto durante mais de uma hora, antes ou depois da cozedura.

#### **UTILIZAÇÃO PERMITIDA**

⚠ **ATENÇÃO:** o aparelho não deve ser ligado a partir de um dispositivo de comutação externa, como, por exemplo, um temporizador, nem a partir de um sistema de controlo remoto em separado.

⚠ Este aparelho destina-se a ser utilizado em ambiente doméstico e em aplicações semelhantes, tais como: copas para utilização dos funcionários em lojas, escritórios e outros ambientes de trabalho; quintas de exploração agrícola; clientes em hotéis, motéis, *bed & breakfast* e outros tipos de ambientes residenciais.

⚠ Estão proibidos outros tipos de utilização (por exemplo, aquecimento de divisões da casa).

⚠ Este aparelho não está concebido para o uso profissional. Não utilize o aparelho no exterior.

⚠ Utilize panelas e frigideiras com um diâmetro de base igual ou ligeiramente superior ao dos queimadores (consulte a tabela específica). Certifique-se de que os tachos nas grelhas não vão para além do rebordo da placa.

⚠ A utilização incorreta das grelhas pode causar danos à placa: não coloque as grelhas de cima para baixo nem as arraste sobre a placa.

⚠ Não deixe que a chama do queimador vá para além do rebordo do fundo da panela. Se a superfície da placa for em vidro, não utilize frigideiras em ferro fundido, pedras para grelhador, panelas de terracota ou çaçarolas.

⚠ Não utilize: Difusores de calor tais como malhas de metal, ou de qualquer outro tipo. Dois queimadores em simultâneo para um utensílio (por exemplo panela para peixe).

⚠ caso condições particulares do abastecimento de gás tornem difícil acender o queimador, recomendamos que repita a operação com o botão na posição da chama mais pequena.

⚠ Caso instale um exaustor por cima da placa, consulte as instruções do mesmo quanto à distância correta a manter entre ambos os aparelhos.

⚠ As bases de borracha de protecção situadas sob as grelhas constituem um perigo de sufocação para as crianças se forem engolidas. Após remover as grelhas, certifique-se de que todos os pés estão instalados corretamente.

#### **INSTALAÇÃO**

⚠ O aparelho deve ser transportado e instalado por duas ou mais pessoas - risco de lesões. Use luvas de protecção para desembalar e instalar o aparelho - risco de cortes.

⚠ As ligações do gás e elétricas devem estar em conformidade com os regulamentos locais.

⚠ A instalação, incluindo a alimentação de água (caso seja necessário) e as ligações elétricas, bem como quaisquer reparações devem ser realizadas por um técnico devidamente qualificado. Não repare nem substitua nenhuma peça do aparelho a não ser que tal seja especificamente indicado no manual de utilização. Mantenha as crianças afastadas do local da instalação. Depois de desembalar o aparelho, certifique-se de que este não foi danificado durante o transporte. Em caso de problemas, contacte o revendedor ou o Serviço Pós-Venda mais próximo. Uma vez instalado o aparelho, os elementos da embalagem (plástico, peças de esferovite, etc.) devem ser armazenados longe do alcance das crianças - risco de asfixia. Deve desligar o aparelho da corrente elétrica antes de efetuar qualquer operação de instalação - risco de choques elétricos. Durante a instalação, certifique-se de que o aparelho não danifica o cabo de alimentação - risco de incêndio ou de choques elétricos. Ligue o aparelho apenas depois de concluída a instalação do mesmo.

⚠ **AVISO:** a alteração do aparelho e do seu método de instalação são essenciais para uma utilização segura e correta do mesmo em todos os países adicionais.

⚠ Utilize reguladores de pressão adequados à pressão do gás indicada nas Instruções.

⚠ O espaço deve dispor de um sistema de extração de ar que expulse os gases de combustão.

⚠ Além disso, o espaço deve dispor também de uma circulação de ar adequada, uma vez que é necessário existir ar para que a combustão ocorra normalmente. O fluxo de ar não deve ser inferior a 2 m<sup>3</sup>/h por kW de potência instalada.

⚠ O sistema de circulação de ar pode transportar o ar diretamente a partir do exterior através de um tubo com uma secção transversal interna com pelo menos, 100 cm<sup>2</sup>; esta abertura não deve estar vulnerável a quaisquer tipos de obstruções.

⚠ O sistema poderá fornecer o ar necessário à combustão de forma indireta, ou seja, a partir das divisões adjacentes que disponham de tubos de circulação de ar, como descrito acima. Contudo, estas divisões não deverão ser espaços comuns, quartos de dormir ou divisões que apresentem risco de incêndio.

⚠ O gás de petróleo liquefeito dissipa-se no chão, uma vez que é mais pesado do que o ar. Como tal, as divisões contendo botijas de GPL também devem dispor de ventilação para permitir a libertação do gás em caso de fuga. Deste modo, as botijas de GPL, quer estejam parcialmente ou totalmente cheias, não devem ser instaladas ou armazenadas em espaços ou áreas de armazenamento que estejam abaixo do nível do solo (caves, etc.). É recomendável que mantenha na divisão apenas a botija em utilização, posicionado de forma a que não esteja sujeita ao calor produzido por fontes externas (fornos, lareiras, fogões, etc.), o que pode levar a um aumento da temperatura da botija para valores superiores a 50 °C.

Se tiver dificuldade ao rodar os botões dos queimadores, contacte o Serviço Pós-Venda a fim de proceder à substituição da tampa do queimador, caso verifique que está danificada. As aberturas utilizadas para realizar a ventilação e dispersão do calor nunca devem ser cobertas.

⚠ Execute todos os trabalhos de corte no móvel antes de instalar o aparelho e remova todas as lascas de madeira e a serradura.

⚠ Caso o aparelho não seja instalado sobre um forno, deverá instalar um painel de separação (não incluído) no compartimento localizado sob o aparelho.

### **LIGAÇÃO DO GÁS**

⚠ **AVISO:** Antes da instalação, certifique-se de que as condições de distribuição local (tipo de gás e pressão do gás) e a configuração do aparelho são compatíveis.

⚠ Assegure-se de que a pressão do fornecimento de gás é consistente com os valores indicados na Tabela "Especificações dos queimadores".

⚠ **AVISO:** As condições de configuração para este aparelho encontram-se indicadas na tabela (ou na placa de características).

⚠ **AVISO:** este aparelho não está ligado a um dispositivo de extração de produtos de combustão. Este deve ser instalado e ligado de acordo com os regulamentos de instalação em vigor. Deve ser tomada atenção especial aos requisitos relevantes relativos à ventilação.

⚠ Caso o aparelho esteja ligado a gás liquefeito, o parafuso de regulação deve ser apertado tanto quanto possível.

⚠ **IMPORTANTE:** Quando utiliza uma botija de gás, esta deve ser colocada adequadamente (na posição vertical).

⚠ **AVISO:** esta operação deve ser realizada por um técnico qualificado.

⚠ Para a ligação do gás, utilize apenas uma mangueira flexível ou rígida de metal.

⚠ Ligação a um tubo rígido (cobre ou aço) A ligação ao sistema de gás deve ser efetuada de forma a não sobrecarregar nenhum outro eletrodoméstico. Existe um encaixe ajustável ao tubo em forma de L na fonte de alimentação do aparelho e este está equipado com uma vedação para evitar quaisquer fugas. A vedação deve ser substituída após a rotação do conector (a vedação vem fornecida com o aparelho). A junta do tubo de entrada de gás tem rosca de 1/2 gás macho cilíndrica.

⚠ Ligação de um tubo de aço inoxidável sem juntas flexíveis para um acessório roscado. O encaixe do tubo de fornecimento de gás é um acessório roscado 1/2 gás macho cilíndrico. A instalação destes tubos deve ser efetuada de maneira que o seu comprimento, em condições de máxima extensão, não seja maior de 2000 mm. Quando a ligação estiver terminada, assegure-se de que o tubo metálico flexível não entre em contacto com as partes móveis ou fique amassado. Utilize exclusivamente tubos e guarnições de retenção em conformidade com as normas nacionais em vigor.

⚠ **IMPORTANTE:** se usar um tubo de aço inoxidável, este deve ser instalado de forma a não tocar em qualquer parte móvel do armário (p. ex., numa gaveta). Este deve passar por uma área onde não existam obstruções e onde seja possível inspecioná-lo a todo o seu comprimento.

⚠ O aparelho deve estar ligado ao fornecimento de gás principal ou à botija de gás, em conformidade com as normas nacionais atuais. Antes de efetuar a ligação certifique-se de que o aparelho é compatível com o fornecimento de gás que pretende utilizar. Se não for o caso, siga as instruções indicadas no parágrafo "Adaptar a diferentes tipos de gás".

⚠ Após a ligação ao abastecimento de gás, procure se existem fugas usando água com detergente. Ligue os queimadores e

rode os botões da posição máx. 1\* para a posição mínima 2\* para verificar a estabilidade da chama.

### **ADAPTAR A DIFERENTES TIPOS DE GÁS**

(Esta operação deve ser efetuado por um técnico qualificado).

⚠ Para adaptar o aparelho a um tipo de gás diferente do tipo para o qual foi fabricado (indicado na etiqueta de classificação), siga as etapas específicas fornecidas após as figuras relativas à instalação.

### **AVISOS RELATIVOS À ELETRICIDADE**

⚠ **IMPORTANTE:** os dados relevantes sobre voltagem e absorção de energia estão indicados na placa de características.

⚠ O cabo de alimentação deve ser suficientemente comprido para ligar o aparelho à tomada elétrica da parede, depois de instalado no respetivo lugar. Não puxe o cabo de alimentação.

⚠ Deve ser possível desligar o aparelho da fonte de alimentação, desligando-o na ficha, caso esta esteja acessível, ou através de um interruptor multipolar instalado na tomada de acordo com a regulamentação aplicável a ligações elétricas; além disso, o aparelho deve dispor de ligação à terra, de acordo com as normas de segurança elétrica nacionais.

⚠ Não utilize adaptadores, fichas múltiplas ou extensões. Após a instalação do aparelho, os componentes elétricos devem estar inacessíveis ao utilizador. Não utilize o aparelho com os pés descalços ou molhados. Não ligue este aparelho se o cabo ou a ficha elétrica apresentar danos, se não estiver a funcionar corretamente, se estiver danificado ou se tiver caído.

⚠ Se o cabo de alimentação estiver danificado deverá ser substituído por um idêntico pelo fabricante ou por um técnico de assistência ou pessoas similarmente qualificadas de modo a evitar a ocorrência de situações perigosas, pois existe o risco de choques elétricos.

### **LIMPEZA E MANUTENÇÃO**

⚠ **AVISO:** Assegure-se de que o aparelho está desligado da fonte de alimentação antes de realizar quaisquer operações de manutenção; nunca use uma máquina de limpeza a vapor para limpar o aparelho - risco de choques elétricos.

⚠ Não utilize produtos abrasivos ou corrosivos, produtos de limpeza à base de cloro, ou esfregões da louça.

⚠ Para evitar danificar o isqueiro elétrico, não o utilize quando os queimadores não estiverem instalados.

### **ELIMINAÇÃO DA EMBALAGEM**


O material da embalagem é 100% reciclável, conforme indicado pelo símbolo de reciclagem .

As várias partes da embalagem devem ser eliminadas de forma responsável e em total conformidade com as normas estabelecidas pelas autoridades locais.

### **ELIMINAÇÃO DE ELETRODOMÉSTICOS**

Este aparelho é fabricado com materiais recicláveis ou reutilizáveis. Elimine-o em conformidade com as normas de eliminação de resíduos locais. Para obter mais informações sobre o tratamento, recuperação e reciclagem de eletrodomésticos, contacte as autoridades locais, o serviço de recolha de resíduos domésticos ou a loja onde adquiriu o aparelho. Este aparelho está classificado em conformidade com a Diretiva Europeia 2012/19/UE relativa aos Resíduos de Equipamentos Elétricos e Eletrónicos (REEE) e com os regulamentos referentes à gestão de resíduos de equipamentos elétricos e eletrónicos de 2013 (conforme alteração).

Ao assegurar a eliminação correta deste produto, estamos a proteger o ambiente e a saúde humana contra riscos negativos.

O símbolo  no produto, ou nos documentos que acompanham o produto, indica que este aparelho não deve ser tratado como resíduo doméstico e deve ser transportado para um centro de recolha adequado para proceder à reciclagem do equipamento elétrico e eletrónico.

### **SUGESTÕES PARA POUPAR ENERGIA**

Utilize panelas e frigideiras com um diâmetro de base igual ao da superfície de cozedura.

Utilize apenas panelas e frigideiras com fundo plano.

Se possível, mantenha as panelas tapadas durante a cozedura.

Utilize uma panela de pressão para poupar ainda mais energia e tempo.

### **DECLARAÇÃO DE CONFORMIDADE**

Este aparelho cumpre os requisitos de conceção ecológica do regulamento europeu n.º 66/2014, os requisitos de conceção ecológica dos produtos relacionados com o consumo de energia e o regulamento sobre as informações energéticas (alteração) (saída UE) de 2019 em conformidade com a norma europeia EN 30-2-1.

As informações relacionadas com o modo de baixo consumo do aparelho, em conformidade com o Regulamento (UE) 2023/826, podem ser encontradas na seguinte hiperligação: <https://docs.emeaappliance-docs.eu>.

Tipo de gás utilizado	Tipo de queimador	Marca do injetor	Fluxo térmico anunciado kW	Consumo anunciado	Capacidade reduzida de calor kW	Pressão do gás mbar		
						min.	anunc.	máx.
GÁS NATURAL (Metano) <b>G20</b>	Rápido (R)	128 B	3,00	286 l/h	0,70	17	20	25
	Semi-rápido (SR)	97	1,75	167 l/h	0,40			
	Auxiliar (AUX)	78 A	1,00	95 l/h	0,40			
	DCC - Exterior + Interior	155 S4 + 70 H1	5,00	476 l/h	2,20			
	DCC - Interior	70 H1	0,90	86 l/h	0,30			
GÁS DE PETRÓLEO LIQUEFEITO (Butano) <b>G30</b>	Rápido (R)	87	3,00	218 g/h	0,70	20	28-30	35
	Semi-rápido (SR)	67	1,75	127 g/h	0,40			
	Auxiliar (AUX)	50	1,00	73 g/h	0,40			
	DCC - Exterior + Interior	100 + 44	4,60	334 g/h	2,20			
	DCC - Interior	44	0,80	58 g/h	0,30			
GÁS DE PETRÓLEO LIQUEFEITO (Propano) <b>G31</b>	Rápido (R)	87	3,00	214 g/h	0,70	25	37	45
	Semi-rápido (SR)	67	1,75	125 g/h	0,40			
	Auxiliar (AUX)	50	1,00	71 g/h	0,40			
	DCC - Exterior + Interior	100 + 44	4,60	329 g/h	2,20			
	DCC - Interior	44	0,80	57 g/h	0,30			

Tipo de gás utilizado	Configuração do modelo 5 QUEIMADORES	Taxa de fluxo térmico nominal (kW)	Consumo total nominal	Ar necessário (m <sup>3</sup> ) para queimar 1m <sup>3</sup> de gás
<b>G20</b> 20 mbar	1R - 2SR - 1AUX - 1DCC	12,50	1190 l/h	9,52
<b>G30</b> 28-30 mbar	1R - 2SR - 1AUX - 1DCC	12,10	880 g/h	30,94
<b>G31</b> 37 mbar	1R - 2SR - 1AUX - 1DCC	12,10	864 g/h	23,80

CORRENTE ELÉCTRICA: 220-240 V ~ 50-60 Hz - 0,6 W

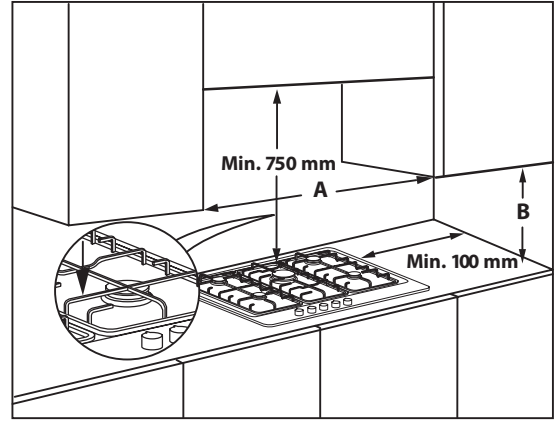
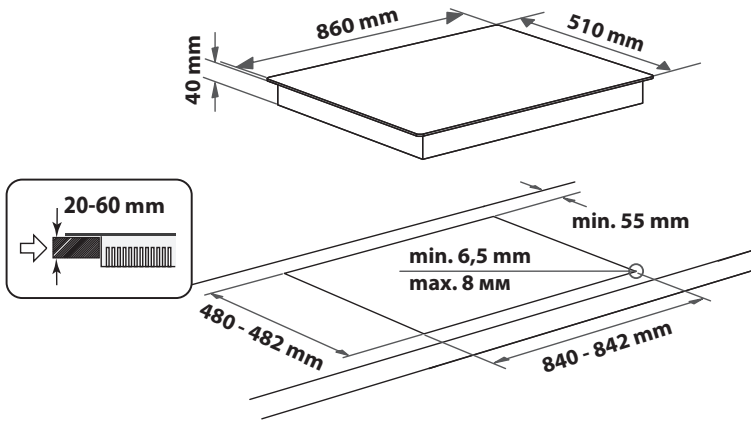


# INSTALAÇÃO (CLASSE 3)

## INFORMAÇÃO TÉCNICA PARA QUEM INSTALAR A PLACA

- Utilize luvas de proteção quando manusear, preparar e instalar o produto.
- Este produto pode ser encastrado numa bancada com 20 a 60 mm de espessura.
- Se não for inserido um forno sob a placa, insira um painel separador com uma superfície no mínimo igual à abertura existente no tampo. Este painel deve ser colocado a uma distância máxima de 150 mm abaixo da superfície superior da bancada, mas nunca a menos de 20 mm do fundo da placa. Caso pretenda instalar um forno sob a placa, certifique-se de que este está equipado com um sistema de arrefecimento.

## DIMENSÕES E DISTÂNCIAS A SEREM MANTIDAS



**NOTA:** se a distância "A" entre a parede dos armários for entre 600 mm e 730 mm, a altura "B" terá de ser, no mínimo, de 530 mm. Se a distância "A" entre a parede dos armários for maior do que a largura da placa, a altura "B" terá de ser, no mínimo, de 400 mm. Em caso de instalação de um exaustor por cima da placa, consulte as instruções do exaustor para uma distância correcta.

## MONTAGEM

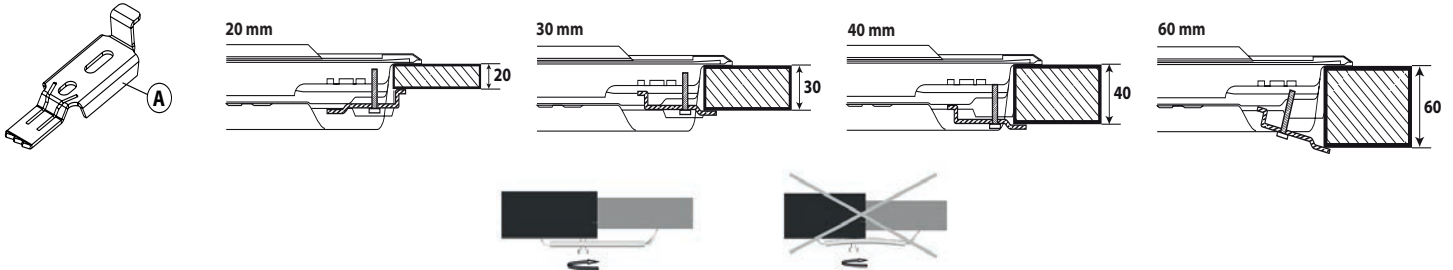
Depois de limpar a superfície periférica, aplique a junta fornecida na placa conforme indicado na figura.

Posicione a placa sobre a abertura da bancada que foi feita respeitando as dimensões indicadas nas Instruções.



**NOTA:** o cabo de alimentação deve ser suficientemente longo para permitir ser extraído para cima.

Para fixar a placa, utilize os suportes (A) fornecidos. Fixe os suportes nos respetivos orifícios indicados pelas setas e aperte-os com os respetivos parafusos de acordo com a espessura da bancada (consulte as figuras seguintes).

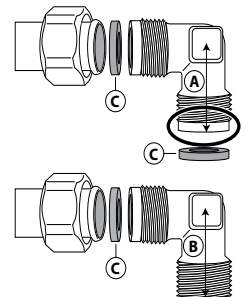


## LIGAÇÃO DO GÁS

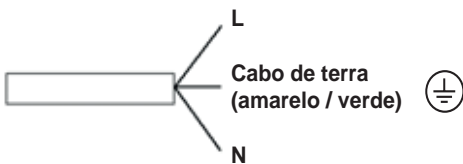
Ligue o cotovelo (A)\* ou (B)\* fornecido, ao tubo de entrada principal da placa e introduza a anilha (C) fornecida, em conformidade com EN 549.\*

\*O cotovelo (A) deve ser usado em França e o cotovelo (B) em todos os outros países.

- Após a ligação ao abastecimento de gás, procure se existem fugas usando água com detergente. Ligue os queimadores e rode os botões desde a posição máxima até à posição mínima para verificar a estabilidade da chama.



## LIGAÇÃO ELÉCTRICA



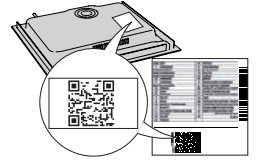

**OBRIGADO POR COMPRAR UM PRODUTO WHIRLPOOL**

Para beneficiar de uma assistência mais completa, registre o seu produto em [www.register10.eu](http://www.register10.eu).

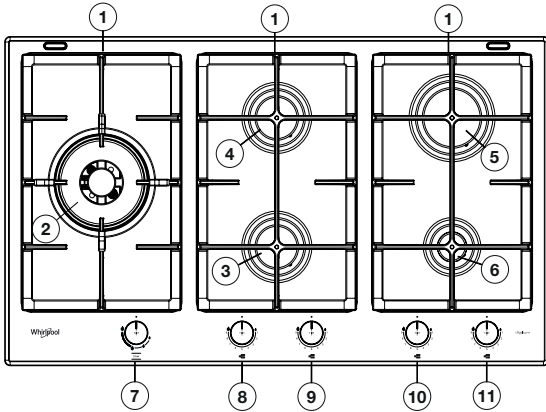


**Leia as instruções de segurança com atenção antes de usar o aparelho.**

**EFETUE A LEITURA DO CÓDIGO QR NO SEU APARELHO PARA OBTTER MAIS INFORMAÇÕES**



## DESCRIÇÃO DO PRODUTO



1. Grelhas amovíveis
2. Queimador de 2 anéis
3. Queimador semirrápido
4. Queimador semirrápido
5. Queimador rápido
6. Queimador auxiliar
7. Botão de controlo do queimador com 2 anéis
8. Botão de controlo do queimador semirrápido
9. Botão de controlo do queimador semirrápido
10. Botão de controlo do queimador rápido
11. Botão de controlo do queimador auxiliar

### Símbolos

- Círculo sombreado ● Torneira fechada
- Chama grande Abertura/saída máxima e acendedor elétrico
- Chama pequena Abertura mínima ou saída reduzida

5 kw



## UTILIZAÇÃO DIÁRIA

### COMO UTILIZAR A PLACA

**⚠** Não deixe que a chama do queimador vá para além do rebordo do fundo da panela.

**IMPORTANTE:** quando a placa está a ser usada, toda a área da placa pode estar quente.

- Para acender um dos queimadores, rode o respetivo botão no sentido inverso ao dos ponteiros do relógio até à posição de chama máxima.
- Carregue no botão contra o painel de controlo para ativar o isqueiro.
- Após acender o queimador, mantenha o botão premido durante cerca de 5-10 segundos para permitir uma operação correta do dispositivo.
- Este dispositivo de segurança do queimador desliga o abastecimento de gás até ao queimador caso a chama se apague acidentalmente (devido a uma súbita corrente de ar, interrupção no abastecimento de gás, líquidos que saíam por fora ao ferver, etc.).
- Não deve premir o botão durante mais do que 15 segundos. Se, após esse tempo, o queimador não se mantiver aceso, espere pelo menos um minuto antes de o tentar acender de novo.

**NOTA:** caso condições particulares do abastecimento de gás tornem difícil acender o queimador, recomendamos que repita a operação com o botão na posição da chama mais pequena.

**O queimador pode apagar-se quando solta o botão.** Isto significa que o dispositivo de segurança não aqueceu o suficiente. Neste caso, repita as operações descritas acima.

Se apagar-se acidentalmente a chama do queimador feche o botão de comando e tente acender novamente somente após um minuto no mínimo.

### CONSELHOS PRÁTICOS PARA UTILIZAÇÃO DOS QUEIMADORES

Esta placa possui queimadores de diferentes diâmetros. Para um melhor desempenho, cumpra as seguintes regras:

- Utilize panelas e frigideiras que tenham um fundo com a mesma largura dos queimadores ou ligeiramente maior (consulte a tabela à direita).
- Utilize apenas panelas e frigideiras com fundo plano.
- Utilize a quantidade correta de água quando cozinhar alimentos, mantendo o tacho tapado.
- Certifique-se de que os tachos nas grelhas não vão para além do rebordo da placa.
- No caso de panelas com fundos convexos (WOK), utilize a grelha de suporte fornecida, que deve ser colocada apenas no queimador multianéis.
- Evitar batidas acidentais com panelas, grades ou outros utensílios da cozinha.
- Não deixar frigoderais vaziar somber o fogão aceso por mais de 5 minutos.

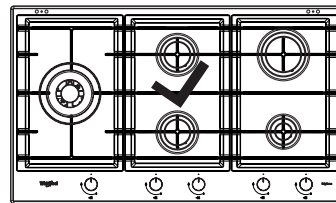
**IMPORTANTE:** uma utilização incorreta das grelhas pode originar danos na placa: não coloque as grelhas de cima para baixo nem as arraste sobre a placa.

QUEIMADOR	Ø PANELA
2 anéis	Entre 24 e 26 cm
Rápido	Entre 24 e 26 cm
Semi-rápido	Entre 16 e 22 cm
Auxiliar	Entre 8 e 14 cm

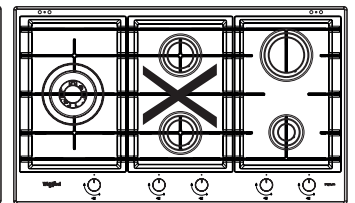
Não utilize:

- frigideiras de ferro fundido, pedras para grelhador, potes e panelas de terracota;
- difusores de calor tais como malhas de metal, ou de qualquer outro tipo;
- dois queimadores em simultâneo para um utensílio (por exemplo panela para peixe).

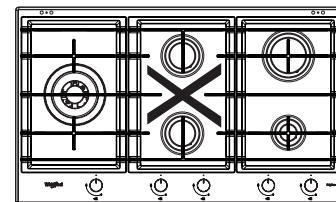
### POSICIONAMENTO CORRETO DAS GRELHAS



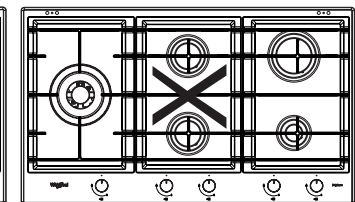
OK



NO



NO



NO

### ADAPTAR A DIFERENTES TIPOS DE GÁS

**⚠** Esta operação deve ser realizada por um técnico qualificado.

Se o aparelho vai ser usado com um tipo de gás diferente do que está indicado na placa de características e etiqueta de informações no topo da placa, mude os injetores.

Retire a etiqueta de informações e guarde-a com o livro de instruções.

### Utilize reguladores de pressão adequados à pressão do gás indicada nas Instruções:

- o injetor de gás deve ser trocado pelo Serviço Pós-Venda ou por um técnico qualificado;
- o injetor não fornecido com o aparelho deve ser encomendado ao Serviço Pós-Venda;
- ajuste a definição mínima das torneiras.

**NOTA: quando é usado gás de petróleo líquido (G30/G31), o parafuso de ajuste de saída mínima de gás, deve ser apertado o máximo possível.**

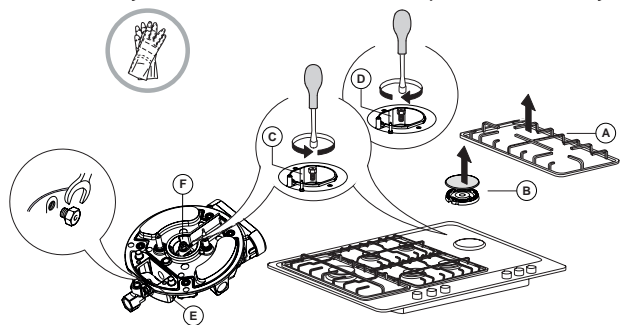
**IMPORTANTE: se tiver dificuldade em rodar os botões dos queimadores, contacte o Serviço Pós-Venda para substituir a torneira do queimador caso tenha algum defeito.**

**IMPORTANTE: quando utiliza uma botija de gás, esta deve ser colocada devidamente (na posição vertical).**

### SUBSTITUIR OS INJETORES (consulte a tabela de injetores nas Instruções de segurança)

⚠ Esta operação deve ser realizada por um técnico qualificado.

- Retire as grelhas (A).
- Extraia os queimadores (B).
- Utilizando uma chave sextavada do tamanho adequado, desaperte o injetor (C), desaperte o injetor que quer substituir.
- Substitua-o pelo injetor adequado ao novo tipo de gás.
- Torne a montar o injetor em (D).
- Se tiver um queimador com várias coroas, utilize uma chave lateral para substituir o injetor (E) e uma chave sextavada para substituir o injetor (F).



Antes de instalar a placa, não se esqueça de afixar a placa de calibração do gás fornecida com os injetores, de forma que esta cubra a informação anterior relativa à calibração de gás.

### AJUSTAR A SAÍDA MÍNIMA DE GÁS DAS TORNEIRAS

⚠ Esta operação deve ser realizada por um técnico qualificado.

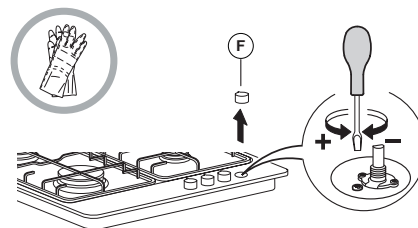
Os ajustes devem ser realizados com o botão na posição de mínimo (chama pequena).

O ar primário dos queimadores não precisa de ser ajustado.

Para garantir que a saída mínima está corretamente ajustada, retire o botão (F) e faça o seguinte:

- aperte o parafuso para reduzir a altura da chama (-);
- solte o parafuso para aumentar a altura da chama (+).

Nesta fase, ligue os queimadores e rode os botões desde a posição máxima até à posição mínima para verificar a estabilidade da chama.



Quando terminar o ajuste, tome a selar usando cera ou um material equivalente.

## TABELA DE COZEDURA

NÍVEL	MÉTODO/TIPO DE COZEDURA (SUGERIDOS PARA)	SUGESTÕES DE COZEDURA
1-2	MANTER QUENTE	Ideal para amolecer manteiga, derreter levemente chocolate em banho maria, descongelar pequenas porções e preparar risoto cremoso.
	COZEDURA SUAVE	
3-4	COZINHAR LENTAMENTE	Ideal para receitas de cozedura lenta (arroz, molhos, assados, peixe) utilizando líquidos (água, vinho, caldo), e massas cremosas, manter uma cozedura leve.
	GUIZAR	
5-6	A ASSAR	Ideal para saltear, estufar vegetais, cozinhar durante períodos mais longos, preaquecer acessórios, cozinhar até ficar cremoso.
	FRITAR	
7-8	FRITAR	Ideal para dourar, começar a cozinhar, ferver rapidamente os líquidos, fritar alimentos congelados a baixas temperaturas, grelhar carne e peixe, manter uma cozedura forte.
	GRELHAR	
9	AQUECIMENTO RÁPIDO	Ideal para o aumento rápido da temperatura dos alimentos ou para o aquecimento rápido de líquidos (água).

## LIMPEZA E MANUTENÇÃO

⚠ Desligue o aparelho da corrente elétrica.

### LIMPAR A SUPERFÍCIE DA PLACA

- Todas as partes de esmaltadas e de vidro, devem ser limpas com água quente e uma solução neutra.
- As superfícies em aço inoxidável podem ficar manchadas por água calcária ou detergentes agressivos, se ficarem em contacto com estes durante muito tempo. Qualquer alimento derramado (água, molho, café, etc.) deve ser limpo antes que seque.

- Limpe com água quente e detergente neutro e, de seguida, seque com um pano macio ou camurça. Retire a sujidade acumulada com produtos de limpeza específicos para superfícies de aço inoxidável.

**NOTA: limpe o aço inoxidável apenas com um pano macio ou com uma esponja.**

- Não utilize produtos abrasivos ou corrosivos, produtos de limpeza à base de cloro, ou esfregões da louça.
- Não utilize aparelhos de limpeza a vapor.
- Não utilize produtos inflamáveis.

- Não deixe substâncias ácidas ou alcalinas, tais como vinagre, mostarda, sal, açúcar ou sumo de limão, sobre a placa de fogo.

### LIMPAR AS PARTES DA PLACA

- Limpe o vidro e as partes esmaltadas apenas com um pano macio ou uma esponja.
- Grelhas, tampas dos queimadores e queimadores, podem ser retirados para limpeza.
- Limpe-os manualmente com água quente e detergente não abrasivo, removendo quaisquer resíduos de alimentos e verificando se nenhum dos orifícios do queimador está entupido.
- Enxague e seque.
- **As grelhas de ferro fundido podem ser lavadas na máquina de lavar loiça. Remova quaisquer vestígios de alimentos queimados antes de colocar as grelhas na prateleira inferior da máquina de lavar loiça.**

- Torne a colocar os queimadores e as tampas corretamente nos respetivos locais.
- Quando tornar a colocar as grelhas, certifique-se de que a área onde assentam as painéis está alinhada com o queimador.
- Os modelos equipados com isqueiro elétrico e dispositivo de segurança, exigem uma limpeza mais aprofundada da extremidade do acendedor para garantir uma operação correta. Verifique estas partes frequentemente e, se necessário, limpe-as com um pano húmido. Quaisquer restos de alimentos devem ser retirados com um palito ou uma agulha.

**NOTA: Para evitar danificar o isqueiro elétrico, não o utilize quando os queimadores não estiverem instalados.**

## RESOLUÇÃO DE PROBLEMAS

Se a placa não funcionar devidamente, antes de contactar o Serviço Pós-Venda, consulte o Guia para Resolução de Problemas para determinar qual o problema.

### 1. O queimador não acende ou a chama não é regular

Verifique se:

- o abastecimento de gás ou energia elétrica não estão desligados, e especialmente se a torneira de segurança do gás está aberta.
- a botija de gás (gás líquido) não está vazia;
- as aberturas do queimador não estão entupidas;
- a extremidade do acendedor não está suja;
- todas as partes do queimador estão posicionadas corretamente;
- não existem correntes de ar perto da placa.

### 2. O queimador não se mantém aceso

Verifique se:

- quando acende o queimador, o botão foi premido o tempo suficiente para ativar o dispositivo de proteção;

- as aberturas do queimador não estão entupidas perto do par termoeletrico;
- a extremidade do dispositivo de segurança não está suja;
- a saída mínima de gás está corretamente ajustada (consulte o parágrafo relevante)

### 3. Os recipientes não estão estáveis

Verifique se:

- o fundo do recipiente é perfeitamente plano;
- o recipiente está centrado sobre o queimador;
- as grelhas não foram trocadas ou posicionadas incorretamente.

Se, após efetuar as verificações acima indicadas, o problema persistir, contacte o Serviço Pós-Venda mais próximo.

## SERVIÇO PÓS-VENDA

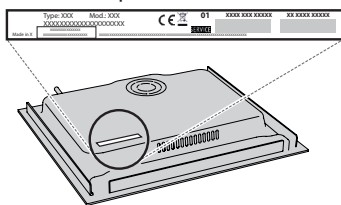
### ANTES DE CONTACTAR O SERVIÇO PÓS-VENDA:

1. Tente solucionar o problema sozinho com a ajuda das sugestões fornecidas na secção de **RESOLUÇÃO DE PROBLEMAS**.
2. Desligue e volte a ligar o aparelho para verificar se o problema ficou resolvido.

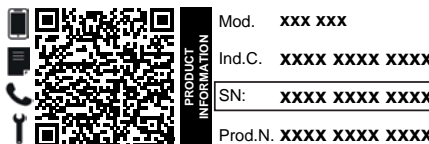
### SE O PROBLEMA PERSISTIR APÓS ESSAS VERIFICAÇÕES, CONTACTE O SERVIÇO PÓS-VENDA MAIS PRÓXIMO.

Quando contactar o nosso Serviço de Pós-venda indique sempre:

- uma breve descrição da anomalia;
- o tipo e o modelo exato do aparelho;



- o número de série (número situado após a palavra SN na chapa de características localizada por baixo do aparelho). O número de série também se encontra indicado na documentação;



- a sua morada completa;
- o seu número de telefone.

Se for necessário efetuar alguma reparação, contacte um Serviço de Assistência Técnica autorizado (para garantir a utilização de peças sobressalentes originais e uma reparação correta).

### As políticas, a documentação padrão e as informações de produto adicionais poderão ser consultadas:

- Utilizar o código QR no seu aparelho;
- Visitando o nosso website [docs.whirlpool.eu/docs](https://docs.whirlpool.eu/docs);
- Em alternativa, **contacte o nosso Serviço Pós-venda** (através do número de telefone contido no livrete da garantia). Ao contactar o nosso Serviço Pós-Venda, indique os códigos fornecidos na placa de identificação do seu produto.

