

- GB** User and maintenance manual
- S** Bruks- och underhållsanvisning
- N** Bruks- og vedlikeholdsanvisning
- DK** Bruger- og vedligeholdelsesvejledning
- FIN** Käyttö- ja huolto-opas


Whirlpool

SENSING THE DIFFERENCE

IMPORTANT SAFETY INSTRUCTIONS

YOUR SAFETY AND THAT OF OTHERS IS PARAMOUNT

This manual and the appliance itself provide important safety warnings, to be read and observed at all times.

 This is the attention symbol, pertaining to safety, which alerts users to potential risks to themselves and others.


All safety warnings are preceded by the attention symbol and the following terms:

 **DANGER:** indicates a hazardous situation which, if not avoided, will cause serious injury.

 **WARNING:** Indicates a hazardous situation which, if not avoided, could cause serious injury.

All safety warnings give specific details of the potential danger/warning present and indicate how to reduce risk of injury, damage and electric shock resulting from improper use of the appliance.

Carefully observe the following instructions:

- Installation and maintenance must be carried out by a qualified technician, in compliance with the manufacturer's instructions and local safety regulations. Do not repair or replace any part of the appliance unless specifically stated in the user manual.
- The appliance must be disconnected from the power supply before carrying out any installation work.
- Earthing of the appliance is compulsory. (Not possible for class II hoods identified by the symbol  on the dataplate).
- The power cable must be long enough for connecting the appliance, once fitted in its housing, to the power supply socket.
- Do not pull the power supply cable in order to unplug the appliance.
- The electrical components must not be accessible to the user after installation.
- Do not touch the appliance with any wet part of the body and do not operate it when barefoot.
- The appliance is not intended for use by persons (including children) with any physical, sensory or mental impairment, or without experience and knowledge of the appliance, unless supervised or previously instructed in its use by those responsible for their safety.
- Do not repair or replace any part of the appliance unless specifically indicated in the manual. All other maintenance services must be carried out by a specialised technician.
- Children must be supervised to ensure they do not play with the appliance.
- When drilling through the wall pay attention not to damage electric connections and/or pipes:
- Air vents must always discharge to the outside.
- The manufacturer rejects all responsibilities for any damage caused by improper use or wrong settings.
- Appropriate maintenance and cleaning ensure the good working order and the best performance of the appliance. Regularly clean all stubborn surface dirt to avoid grease build up. Remove and clean or change the filter regularly.
- Never flame cook food (flambé) under the appliance. Using free flames might cause fire.
- Failure to observe the instructions for cleaning the hood and replacing the filters may result in a fire.
- Exhaust air must not be vented through a flue used for removal of fumes produced by gas combustion appliances or other combustible materials, but must have a separate outlet. All national regulations governing extraction of fumes must be observed.
- If the hood is being used at the same time as other appliances using gas or other combustible materials, the negative pressure of the room must not exceed 4 Pa (4x 10⁻⁵ bars). For this reason ensure that the room is well ventilated.
- Do not leave frying pans unattended when frying, as the frying oil may catch fire.
- Before touching the light bulbs, ensure that they are cold.
- Do not use or leave the hood without the light bulb correctly fitted, as this may cause electric shock.
- The hood is not a worktop, therefore do not place any objects on top of it or overload it.
- During all installation and maintenance operations wear appropriate working gloves.
- This appliance is not suitable for outdoor use.
- When the hob is in use, accessible parts of the hood may become hot.

Scrapping of household appliances

- This appliance is manufactured with recyclable or reusable materials. Dispose of it in accordance with local waste disposal regulations. Before scrapping, cut off the power supply cable.
- For further information on the treatment, recovery and recycling of household electrical appliances, contact your competent local authority, the collection service for household waste or the store where you purchased the appliance.

KEEP THIS BOOKLET FOR FUTURE CONSULTATION.

INSTALLATION

After unpacking the appliance, check for any transport damage. In the event of problems, contact the dealer or your nearest After-sales Service. To prevent any damage, only remove the appliance from its polystyrene foam packaging at the time of installation.

PREPARING FOR INSTALLATION

⚠ WARNING: this is a heavy product; the hood should only be lifted and installed by two or more people.

The minimum distance between the support of the cooking pans on top of the cooker and the bottom of the hood must not be less than 50 cm for electric cookers and 65 cm for gas or mixed cookers.

Before installation also check the minimum distances stated in the manual of the cooker.

If the installation instructions for the cooker specify a greater distance between cooker and hood, this distance must be observed.

ELECTRICAL CONNECTION

Make sure the power voltage specified on the appliance rating plate is the same as the mains voltage.

This information may be found on the inside of the hood, under the grease filter.

Power cable replacement (type H05 VV-F 3 x 0,75 mm²) must be carried out by a qualified electrician. Contact an authorized service centre.

If the hood is fitted with an electric plug, connect the plug to a socket complying with current regulations, located in an accessible place after installation. If no plug is fitted (direct wiring to the mains), or if the socket is not located in an accessible place, install a standardised double pole power switch that will enable complete isolation from the mains in case of category III overvoltage conditions, in accordance with installation rules.

GENERAL RECOMMENDATIONS

Before use

Remove cardboard protection pieces, protective film and adhesive labels from accessories.

Check the appliance for any transport damage.


During use

To avoid any damage do not place any weights on the appliance.


Do not expose the appliance to atmospheric agents.

SAFEGUARDING THE ENVIRONMENT

Disposal of packing

The packing material is 100% recyclable and is marked with the recycle symbol . The various parts of the packing must therefore be disposed of responsibly and in full compliance with local authority regulations governing waste disposal.

Scrapping the product

- This appliance is marked in compliance with European Directive 2002/96/EC, Waste Electrical and Electronic Equipment (WEEE).
- By ensuring this product is disposed of correctly, you will help prevent potential negative consequences for the environment and human health, which could otherwise be caused by inappropriate waste handling of this product.
- The symbol  on the product or on the accompanying documentation indicates that it should not be treated as domestic waste but must be taken to an appropriate collection centre for the recycling of electrical and electronic equipment.

TROUBLESHOOTING GUIDE

The appliance does not work:

- Check for the presence of mains electrical power and if the appliance is connected to the electrical supply.
- Turn off the appliance and restart it to see if the fault persists.

The hood's suction level is not sufficient:

- Check the suction speed and adjust as necessary;
- Check that the filters are clean;
- Check the air vents for any obstructions.

The light does not work:

- Check the light bulb and replace if necessary;
- Check that the light bulb has been correctly fitted;

AFTER-SALES SERVICE

Before calling the After-Sales Service:

1. See if you can solve the problem yourself with the help of the suggestions given in the "Troubleshooting guide".
2. Switch the appliance off and back on again it to see if the fault persists.

If after the above checks the fault still occurs, get in touch with the nearest After-Sales Service.

Always specify:

- A brief description of the fault;
- The exact type and model of the appliance;
- The service number (number after the word "Service" on the rating plate), located on the inside of the appliance. The service number is also indicated on the guarantee booklet;
- Your full address;
- Your telephone number.

SERVICE 0000 000 00000



If any repairs are required, please contact an **authorised After-sales Service** (to guarantee that original spare parts will be used and repairs carried out correctly).

CLEANING



WARNING

- Never use steam cleaning equipment.
- Disconnect the appliance from the power supply.

IMPORTANT: do not use corrosive or abrasive detergents. If any of these products accidentally comes into contact with the appliance, clean immediately with a damp cloth.

- Clean the surfaces with a damp cloth. If it is very dirty, add a few drops of washing up detergent to the water. Finish off with a dry cloth.

IMPORTANT: do not use abrasive sponges or metallic scrapers or scourers. Over time, these can ruin the enamel surface.

- Use detergents specifically designed for cleaning the appliance and follow the manufacturer instructions.

IMPORTANT: clean the filters at least monthly to remove any oil or grease residuals.

MAINTENANCE

⚠ ATTENTION:

- use protective gloves.
- disconnect the appliance from the power supply.



GREASE FILTERS

The metal grease filter has an unlimited life and should be cleaned once a month by hand or in a dishwasher at low temperature and with a short cycle. Cleaning in a dishwasher may cause discoloring of the grease filter, but its filtering efficiency is unaffected.

Pull out the handle to remove the filter.

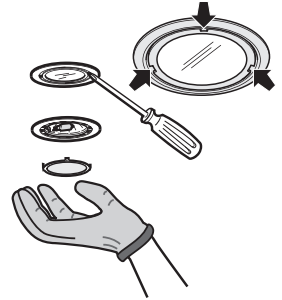
Wash the filter and leave it to dry, proceeding in reverse order to refit.

REPLACING HALOGEN LAMPS

⚠ ATTENTION:

- Only use 20W MAX - G4 halogen lamps.

1. Disconnect the hood from the household power supply.
2. Use a small screwdriver to gently prise (at the three points indicated) the lamp cover off.
3. Remove the burnt-out lamp and fit a new one.
4. Refit (snap-on) the lamp cover.



CARBON FILTER (filter hoods only)

It retains the unpleasant odors produced during cooking.

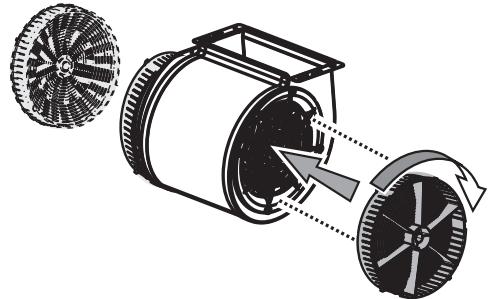
Change the carbon filter every 4 months

Fitting or changing the carbon filter

1. Disconnect the hood from the power supply.
2. Remove the grease filters.
3. Fit one carbon filter each side, covering both protection grilles of the motor impeller. Turn the filters clockwise to secure them to the middle pins.

Proceed in reverse order to remove.

Refit the grease filters.



MATERIAL SUPPLIED

Remove all the components from the packets. Check that all the components are included.

- Hood assembled with motor, lamps and grease filters fitted (1 or 2 grease filters, depending on the model).
- Instructions for assembly and use
- 1 Assembly template
- 1 - adapter Torx T10
- 1 - adapter Torx T20
- 1 deflector
- 3 wall plugs Ø 8mm
- 3 screws Ø 5x45
- 3 screws Ø 3.5x9.5
- 1 washer Ø 5.3x2
- 1 cable clamp
- Power cable
- 2 carbon filters

INSTALLATION - PRELIMINARY ASSEMBLY INSTRUCTIONS

The hood is designed for installation in "Filter version".

Filter Version

Air is filtered through the carbon filter/s and recycled into the surrounding environment.

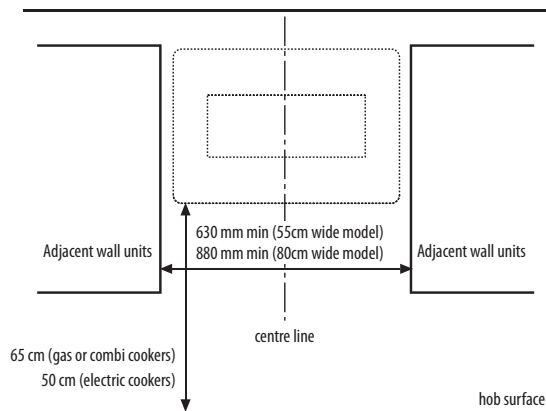
IMPORTANT: Check that air recirculation is ensured.

If the hood does not have the carbon filter/s, order one/them and fit before use.

Install the hood away from very dirty areas, windows, doors and heat sources.

The hood comes with all the materials necessary for installation on the majority walls/ceilings. However, a qualified technician must ensure that the materials are suitable according to the type of wall/ceiling.

INSTALLATION DIMENSIONS



INSTALLATION - ASSEMBLY INSTRUCTIONS

The instructions below, to be carried out in the order in which they are numbered, refer to the figures (with the same step numbers) given on the last pages of this manual.

IMPORTANT: The hood comes in filter version.

The carbon filter is supplied and must be fitted after installation (as shown in **fig.12**).

1. Mark a vertical centre line on the wall.
2. Place the drilling diagram against the wall (fix it with adhesive tape): the vertical centre line printed on the drilling diagram must match the centre line drawn on the wall, and the bottom edge of the drilling diagram must match the bottom edge of the hood.

IMPORTANT: The bottom edge of the drilling diagram must have a min. distance of 50 cm (for electric hobs) or 65 cm (for gas hobs).

3. Drill the 3 holes as shown on the drawing.
4. Remove the drilling diagram from the wall, insert the 2 plugs and the 2 screws in the wall, making sure they protrude about 5 mm; insert the third plug in the bottom hole.
5. Fit the plastic grille on the hood air outlet hole
6. Hook the hood on the fixing screws through the special rear perforation.
7. Remove the grease filters.
8. Insert the washer and safety screw in the bottom hole.
9. Secure the hood to the wall by tightening down the fixing screws.
10. **Fit the power cable in its special place.**
11. **Secure the cable to the cable clamp.**

IMPORTANT: This operation is compulsory. It will prevent accidental disconnection of the power cable.

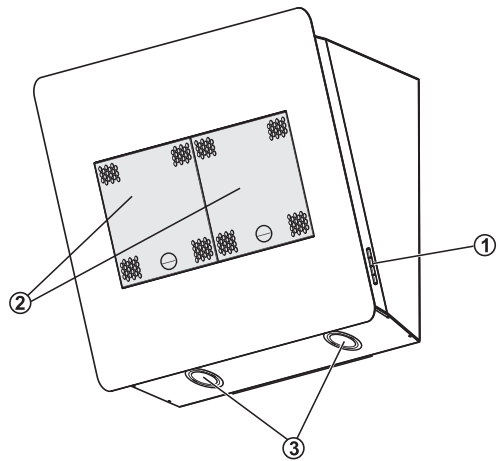
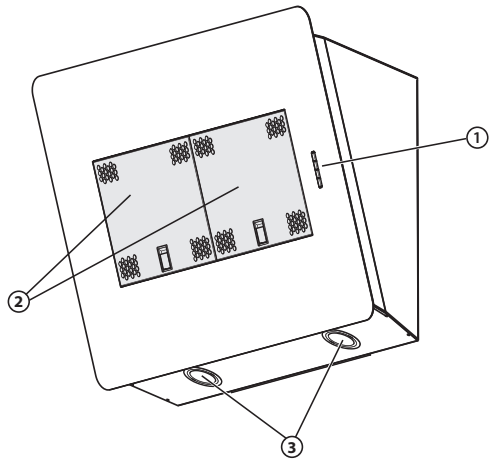
Carry out the connection to the household electrical system.

12. Fit the carbon filters over the motor covering. Turn the filters to secure them to the middle pins.
13. Refit the grease filters.

Check hood operation, referring to the section giving a description of the hood and its use.

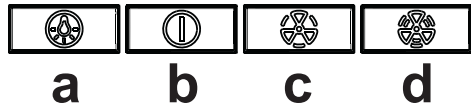
DESCRIPTION AND USE OF HOOD

1. Control panel.
2. Grease filters.
3. Halogen lamps.



Control panel

- a. Lights ON/OFF button
- b. Motor ON/OFF and minimum speed (extraction power) selection button
- c. Medium speed (extraction power) selection button
- d. Maximum speed (extraction power) selection button



VIKTIGA SÄKERHETSANVISNINGAR

DET ÄR MYCKET VIKTIGT ATT DU VÄRNAR OM DIN EGEN OCH ANDRAS SÄKERHET.

Detta häfte innehåller en mängd viktiga säkerhetsanvisningar som även återfinns på apparaten. Läs och iaktta alltid dessa.

 Denna symbol indikerar en varning. Symbolen vill göra dig uppmärksam på potentiella risker för dig som användare och andra personer.

Samtliga säkerhetsanvisningar föregås av denna symbol samt ett av följande ord:

 **FARA:**


Överhängande risk för allvarliga personskador om anvisningarna inte iakttas.

 **VARNING:**

Risk för allvarliga personskador om anvisningarna inte iakttas.

Samtliga säkerhetsanvisningar talar om vad de potentiella riskerna består i och hur du gör för att reducera risken för skador och elstötar till följd av ett felaktigt bruk av apparaten.

Iaktta noggrant följande anvisningar:

- Installation och underhåll skall utföras av en behörig fackman i enlighet med tillverkarens anvisningar och lokala säkerhetsbestämmelser. Reparera inte eller byt inte ut några delar på apparaten om det inte rekommenderas i bruksanvisningen.
- Koppla apparaten från elnätet innan installationen påbörjas.
- Enligt lag är det obligatoriskt att ansluta apparaten till jord. (Det är inte möjligt för fläktkåpor ur klass II som är identifierade med symbolen  på egenskapetiketten).
- Elsladden måste vara såpass lång att apparaten kan anslutas till eluttaget.
- Dra inte i apparatens elsladd för att lossa den från eluttaget.
- De elektriska delarna skall vara oätkomliga när installationen är klar.
- Vidrör inte apparaten med fuktiga händer och använd den inte när du är barfota.
- Apparaten är inte avsedd att användas av barn eller funktionshindrade personer som saknar erfarenhet eller kunskap om hur den används, såvida de inte övervakas av någon som kan ansvara för deras säkerhet eller som har lärt dem hur apparaten används.
- Reparera inte eller byt ut delar på apparaten om detta inte direkt rekommenderas i instruktionsboken. För andra underhållsarbeten krävs specialutbildad personal.
- Barn måste hållas under uppsikt så att de inte leker med apparaten.
- Se till att du inte skadar el- och/eller röranlutningarna när du borrar i väggen.
- Ventilationskanalerna skall alltid leda ut luften utomhus.
- Tillverkaren fransäger sig allt ansvar för felaktig användning eller felaktig inställning av vred och knappar.
- Regelbundet underhåll och rengöring av apparaten borgar för en korrekt funktion och optimal prestanda. Ta regelbundet bort alla smutsbeläggningar från ytorna för att förhindra att det ansamlas fett. Ta bort och diska eller byt ut filtret regelbundet.
- Flambera inte under apparaten. Lågorna kan förorsaka brand.
- Underlåtenhet att följa rengöringsanvisningarna för fläktkåpan och byte och rengöring av filtren medför risk för brand.
- Luftutsläppet får inte tömmas i ett rör som används för att evakuera rök som bildas av apparater vid förbränning gas eller andra bränslen, men måste ha ett oberoende utsläpp. Samtliga nationella bestämmelser gällande utsläpp av luft måste följas.
- Om köksfläkten används i närheten av gasdrivna eller andra bränsle drivna apparater får det negativa trycket i rummet inte vara större än 4 Pa (4 x 10⁻⁵ bar). Detta är anledningen till varför du måste försäkra dig om att rummet har god ventilation.
- Lämna inte stekpannor obebakade när du friterar eftersom frityroljan kan fatta eld.
- Försäkra dig om att glödlamporna har svalnat innan du tar på dem.
- Använd inte eller lämna inte köksfläkten utan glödlampor (som skall vara korrekt isatta). Det kan medföra risk för elstöt.
- Köksfläkten är inte avsedd att användas som avställningsyta. Placera därför inga föremål på köksfläkten så att den blir överbelastad.
- Använd skyddshandskar i samband med alla installations- och underhållsmoment.
- Apparaten är inte avsedd för utomhusbruk.
- När spishällen är i funktion kan fläktkåpens åtkomliga delar bli mycket heta.

Kassering av hushållsapparater

- Denna apparat är tillverkad av material som kan återanvändas eller återvinnas. Skrota din gamla hushållsapparat enligt bestämmelserna om avfallshantering som gäller i ditt land. Innan du skrotar den måste du skära av elsladden så att apparaten blir obrukbar.
- Kontakta berörda lokala myndigheter, renhållningsverket eller din återförsäljare för ytterligare information om hantering, återvinning och återanvändning av hushållsapparater.

SPARA DETTA HÄFTE SOM REFERENSMATERIAL.

INSTALLATION

Ta av emballaget och kontrollera att apparaten inte är skadad. Kontakta återförsäljaren eller Service vid problem. Ta loss apparaten från frigolitbasen först när den skall installeras så att risk för skador minimeras.

FÖRBEREDELSE FÖR INSTALLATION

VARNING:

Denna apparat är mycket tung och skall därför flyttas och installeras av minst två personer.

Avståndet mellan spishällens översta del och köksfläktens nedersta del skall vara minst 50 cm vid elektriska spisar och 65 cm vid gas- eller kombispisar.

Kontrollera avstånden i spishällens bruksanvisning före installationen.

Om monteringsanvisningarna för matlagingsanordningen anger ett större avstånd, måste hänsyn tas till detta.

ANSLUTNING TILL ELNÄTET

Kontrollera att märkspänningen enligt typskylten motsvarar nätspänningen på installationsplatsen. Typskylten sitter inuti köksfläkten. Den syns när du tar bort fettfiltret.

Eventuella byten av elsladd (typ H05 VV-F) får endast ombesörjas av en behörig elektriker. Vänd dig till en auktoriserad serviceverkstad.

Om apparaten är utrustad med stickkontakt skall apparaten anslutas till ett lättåtkomligt eluttag som uppfyller kraven i gällande lagstiftning. Om stickkontakt saknas (direktanslutning till elnätet) eller om eluttaget inte är lättåtkomligt skall en tvåpolig brytare installeras som uppfyller kraven i gällande lagstiftning.

Denna skall säkerställa att nätspänningen frånkopplas helt i händelse av ett spänningssprång i elledningarna av kategori 3 i överensstämmelse med gällande installationsföreskrifter.

ALLMÄNNA RÅD

Innan apparaten tas i bruk

Ta bort alla skydd i kartong, plastfilm och klisteretiketter från tillbehören.

Kontrollera att apparaten inte har skadats under transporten.

Vid användning

Placera inga tunga föremål på apparaten eftersom detta kan skada den.


Utsätt inte apparaten för väder och vind.

MILJÖRÅD

Kassering av förpackningsmaterialet

Förpackningsmaterialet kan återvinnas till 100 %, vilket framgår av återvinningsymbolen . De olika delarna av emballaget skall kasseras enligt bestämmelserna från lokala myndigheter och får inte kastas i naturen.

Kassering av apparaten

- Denna produkt är märkt enligt direktiv 2002/96/EG beträffande kassering av elektriskt och elektroniskt avfall.
- Genom att säkerställa en korrekt kassering av denna produkt bidrar du till att förhindra potentiella, negativa konsekvenser för vår miljö och vår hälsa, vilket däremot kan bli följden om produkten inte hanteras på rätt sätt.
- Symbolen  på apparaten eller den medföljande dokumentationen anger att denna apparat inte får hanteras som vanligt hushållsavfall. Apparaten skall istället lämnas in till en lämplig soptentral för återvinning av avfall från elektrisk och elektronisk utrustning.

FELSÖKNING

Apparaten fungerar inte:

- Kontrollera att det finns ström och att apparaten är ansluten till elnätet.
- Stäng av och slå på apparaten igen för att undersöka om problemet har löst sig.

Köksfläktens utsugskapacitet är otillräcklig:

- Kontrollera att du har valt önskad fläkthastighet.
- Kontrollera att filtren är rena.
- Kontrollera att luftöppningarna inte är igensatta.

Belysningen fungerar inte:

- Kontrollera om glödlampan behöver bytas ut.
- Kontrollera om glödlampan är korrekt isatt.

SERVICE

Innan du kontaktar Service:

1. Undersök om det inte går att lösa problemet på egen hand enligt anvisningarna i avsnittet Felsökning.
2. Stäng av och slå på apparaten igen för att undersöka om problemet har löst sig.

Om problemet kvarstår efter dessa kontroller bör du kontakta närmaste Service.

Lämna alltid följande uppgifter:

- en kort beskrivning av problemet
- exakt apparattyp och -modell
- servicenumret (detta nummer finns efter ordet SERVICE på typskylten) inuti apparaten. Servicenumret finns även i garantihäftet.
- fullständig adress
- telefonnummer.

SERVICE 0000 000 00000



Om det blir nödvändigt att göra en reparation, vänd dig till **en auktoriserad serviceverkstad** (detta garanterar att originalreservdelar används och att reparationen görs på korrekt sätt).

RENGÖRING



VARNING!

- Använd inte ångtvättar.
- Koppla apparaten från elnätet.

VIKTIGT! Använd inte frätande eller slipande rengöringsmedel. Om någon av dessa produkter oavsiktligt skulle komma i kontakt med apparaten skall apparaten rengöras omedelbart med en fuktig trasa.

- Rengör ytorna med en fuktig trasa. Tillsätt några droppar diskmedel vid mycket envis smuts. Torka rent med en torr trasa.

VIKTIGT! Använd inte slipande svampar, stålull eller metallskrapor. De kan med tiden skada de lackerade ytorna.

- Använd specifika rengöringsmedel för apparaten och följ tillverkarens anvisningar.

VIKTIGT! Rengör filtren minst en gång i månaden för att ta bort olje- och fettrester.

UNDERHÅLL

! OBSERVERA:

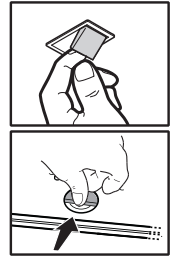
- Använd skyddshandskar.
- Koppla loss apparaten från elnätet.

FETTFILTER

Fettfiltret i metall har en obegränsad hållbarhet och bör rengöras en gång i månaden. Filtret kan rengöras för hand eller i diskmaskin med ett kort program och låg temperatur. Fettfiltret kan missfärgas när det maskindiskas, men filtreringseffekten påverkas inte på något sätt.

Dra i handtaget för att ta ut filtret.

Diska filtret och låt det torka. Följ sedan anvisningarna i omvänd ordning och gör på motsatt sätt för att sätta tillbaka filtret.

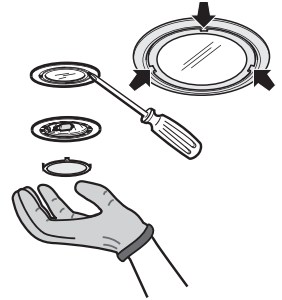


ATT BYTA HALOGENLAMPOR

! OBSERVERA:

- Använd aldrig annat än max. 20 W - G4 halogenlampor.

1. Koppla loss fläkten från elnätet.
2. Bänd försiktigt i de tre markerade punkterna med en liten, platt skruvmejsel och ta ut lampskyddet.
3. Byt den skadade glödlampan genom att dra ut den ur hållaren och sätt i en ny.
4. Sätt tillbaka lampskyddet (det skall klicka på plats).



KOLFILTER (endast modeller med filterfläkt)

Absorberar obehaglig lukt från matlagningen.

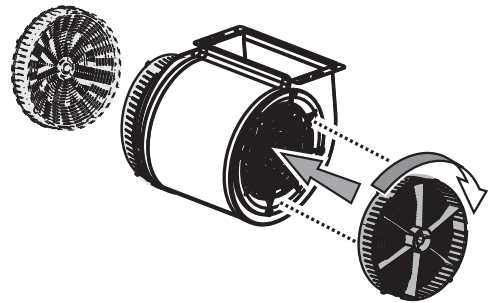
Kolfiltret måste bytas var 4:e månad

Montering eller byte av kolfilter

1. Koppla bort fläkten från elnätet.
2. Ta ut fettfiltren.
3. Sätt ett kolfilter på varje sida, täck över bägge skyddsgallren på motorns skovelblad. Vrid filtren medsols för att fästa dem vid mittenstiften.

Proceed in reverse order to remove.

Refit the grease filters.



MEDFÖLJANDE TILLBEHÖR

Ta ut alla delar ur paketen. Kontrollera att alla delar finns med.

- Monterad fläktkåpa med motor, lampor och fettfilter installerade (1 eller 2 fettfilter, beroende på modell).
- Monterings- och användaranvisningar
- 1 Monteringsschablon
- 1 - adapter Torx T10
- 1 - adapter Torx T20
- 1 matosskärm
- 3 väggpluggar \varnothing 8mm
- 3 skruvar \varnothing 5x45
- 3 skruvar \varnothing 3,5x9,5
- 1 bricka \varnothing 5,3x2
- 1 kabelklämma
- Nätkabel
- 2 kolfilter

INSTALLATION - FÖRSTA MONTERINGSANVISNINGAR

Fläktkåpan är avsedd att endast installeras som "Filterfläkt".

Filterfläkt

Luften filtreras när den passerar genom ett eller flera kolfilter och leds tillbaka till rummet.

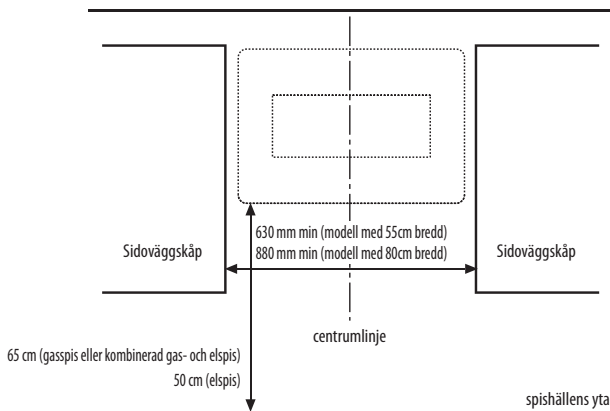
VIKTIGT: Kontrollera att luftcirkulationen inte hindras.

Om fläktkåpan inte är försedd med kolfilter måste ett sådant/sådana beställas och monteras innan fläktkåpan tas i bruk.

Denna fläktkåpa ska monteras långt från mycket hårt smutsade platser, fönster, dörrar och värmekällor.

Fläktkåpan levereras med alla tillbehör som behövs för att installera den på de flesta väggar/tak. En fackman skall däremot kontrollera att materialen är lämpade för den aktuella väggen/taket.

MONTERINGSDIMENSIONER



INSTALLATION - MONTERINGSANVISNINGAR

De numererade instruktionerna nedan hänvisar till bilden med sifferreferenser som du hittar på den sista sidan i denna manual.

VIKTIGT: Fläkten finns i filterversion.

Kolfilter medföljer och skall sättas i efter installation (se anvisningar i **fig.12**).

1. Dra en vertikal mittlinje på väggen.
2. Placera borrhscemat på väggen (fäst upp det med tejp): borrhscemats vertikala mittlinje måste sammanfalla med mittlinjen som du ritat på väggen. Dessutom skall borrhscemats underkant sammanfalla med fläktkåpens underkant.

VIKTIGT: Borrhscemats nedre marginal måste ha ett minimum avstånd på 50 cm (vid elspisar) eller 65 cm (vid gasspisar).

3. Borra 3 hål såsom angivet på ritningen.
4. Avlägsna borrhscemat från väggen, sätt i de 2 pluggarna och de 2 skruvarna i hålen - se till att de sticker ut cirka 5 mm, och sätt sedan in den tredje pluggen i bottenhålet.
5. Fäst plastgallret på fläktkåpens luftutloppshål
6. Haka fast fläktkåpan på fixerskruvarna genom hålen på baksidan.
7. Ta ut fettfiltren.
8. Sätt i brickan och säkerhetsskruven i bottenhålet.
9. Fäst fläktkåpan i väggen genom att skruva i fixerskruvarna helt.
10. **För in strömkabeln på sin plats.**
11. **Fäst kabeln till kabelfästet.**

VIKTIGT: Det är obligatoriskt att göra detta ingrepp. Det gör att strömkabeln inte lossnar av misstag.

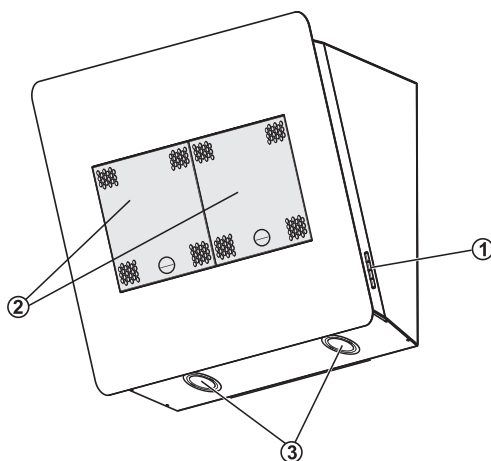
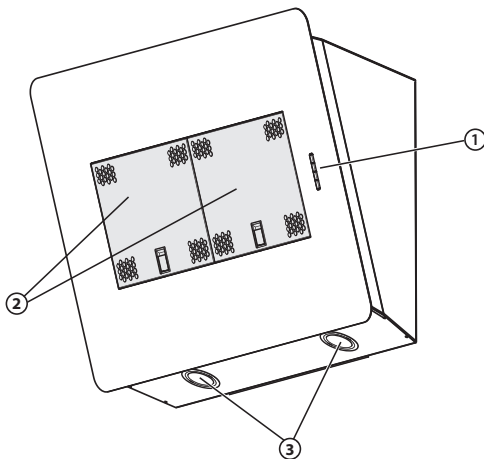
Gör anslutningen till elnätet.

12. Montera kolfiltren över motorskyddet. Vrid på filtren för att fästa dem vid mittenstiften.
13. Sätt tillbaka fettfiltren.

Kontrollera att fläktkåpan fungerar. Se kapitlet om beskrivning och användning av fläkten.

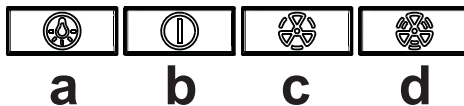
BESKRIVNING OCH ANVÄNDNING AV FLÄKTEN

1. Kontrollpanel.
2. Fettfilter.
3. Halogenlampor.



Kontrollpanel

- a. Belysningens På/Av-knapp
- b. Knapp för påslagning/avslagning av fläktmotorn och för inställning av lägsta hastighet (fläkteffekt)
- c. Knapp för inställning av medelmåttig hastighet (fläkteffekt)
- d. Knapp för inställning av högsta hastighet (fläkteffekt)



VIKTIGE SIKKERHETSINSTRUKSJONER

DIN OG ANDRES SIKKERHET ER VELDIG VIKTIG.

I bruksanvisningen og på apparatet finnes det viktige sikkerhetsmeldinger som må leses og følges.

 Dette er et varselsymbol for sikkerheten, og varsler om potensielle risikoer for brukeren og andre.


Alle sikkerhetsmeldingene forutgår av varselsymbolet og følgende uttrykk:

 **FARE:** Farlig situasjon som forårsaker alvorlige skader hvis den ikke unngås.

 **ADVARSEL:** Farlig situasjon som kan forårsake alvorlige skader hvis den ikke unngås.

Alle sikkerhetsmeldingene spesifiserer den potensielle faren/advarselen som de refererer til, og oppgir hvordan man skal unngå skader på personer og gjenstander og elektriske støt som følge av en feil bruk av apparatet.

Følg instruksjonene nøye:

- Installasjonen eller vedlikeholdet må utføres av en kvalifisert tekniker i samsvar med produsentens instruksjoner, og i samsvar med gjeldende sikkerhetsstandarder. Ikke reparer eller skift ut deler av apparatet hvis det ikke er oppgitt i bruksanvisningen.
- Apparatet må kobles fra strømmen før installasjonen.
- Jording av apparatet er påbudt. (Det er ikke mulig for ventilatorene i klasse II merket med symbolet  på typeskiltet).
- Nettledningen må være lang nok til at apparatet kan kobles til stikkkontakten.
- Ikke dra i nettledningen for å trekke den ut av stikkkontakten.
- Når installasjonen er ferdig, må ikke de elektriske delene være tilgjengelige for brukeren.
- Ikke ta på apparatet med våte eller fuktige hender, og ikke bruk det med bare føtter.
- Dette apparatet må ikke brukes av barn eller personer med reduserte psykiske evner og ferdigheter, eller av uerfarne personer uten kjennskap til apparatet, eller hvis de ikke er under oppsyn eller opplæring av personer ansvarlige for deres sikkerhet.
- Ingen del av apparatet må repareres eller skiftes ut dersom det ikke er spesielt nevnt i bruksanvisningen. Alle vedlikeholdstiltak må utføres av en autorisert elektriker.
- Pass på at barn ikke leker med apparatet.
- Når det bores hull i veggen, pass på å ikke ødelegge de elektriske koblingene og/eller rørdledningene.
- Utløpet fra lufttrørene må alltid være utendørs.
- Produsenten fraskriver seg ethvert ansvar for feil bruk eller feil innstillinger av kontrollene.
- Jevnlig vedlikehold og rengjøring garanterer god funksjon og gode ytelser av apparatet. Rengjør ofte de skitne overflatene for å unngå at det samler seg fett. Ta ut og rengjør eller skift ut filteret jevnlig.
- Ikke flamber under apparatet. Bruk av åpen flamme kan forårsake brann.
- Dersom rengjøring av ventilatoren og utskifting og rengjøring av filterne ikke utføres forskriftsmessig, kan det medføre brannrisiko.
- Avtrekksluften må ikke føres ut gjennom et avtrekk som brukes av apparater som brenner gass eller andre brennstoffer, men må ha et eget avtrekk. Overhold alle de nasjonale forskriftene når det gjelder avtrekket for utblåsning av luft.
- Hvis ventilatoren brukes sammen med andre apparat som bruker gass, olje, el., må ikke undertrykket i rommet være over 4 Pa (4 x 10⁻⁵ bar). Rommet må derfor være godt ventilert.
- Ikke forlat en stekepanne mens du steker, fordi matoljen kan ta fyr.
- Pass på at lyspærene har kjølnet før du tar på dem.
- Ikke bruk eller la ventilatoren stå uten at lyspærene er riktig montert pga. faren for elektriske støt.
- Ventilatoren er ikke en arbeidsbenk, og legg derfor ikke gjenstander oppå den og ikke overbelast den.
- Bruk arbeidshansker ved installasjon og vedlikehold.
- Apparatet må ikke brukes utendørs.
- Når platetoppen er i bruk kan tilgjengelige deler av ventilatoren bli varme.

Avhengig av husholdningsapparat

- Dette apparatet er fremstilt av materialer som kan resirkuleres eller gjenvinnes. Apparatet må avhendes i henhold til de lokale renovasjonsforskriftene. Før avhending må apparatet gjøres ubrukelig ved at nettledningen klippes av.
- For ytterligere informasjon om behandling, gjenvinning og resirkulering av dette apparatet, ta kontakt med kommunen, renovasjonsservice for husholdningsavfall, eller butikken hvor du har kjøpt apparatet.

TA VARE PÅ HEFTET FOR FREMTIDIGE BEHOV.

INSTALLASJON

Når apparatet er pakket ut, kontroller at det ikke har blitt skadet under transporten. Ved problemer, kontakt forhandleren eller Service. For å unngå ev. skader anbefales det at apparatet kun tas av polystyrenbasen like før installasjonen.

KLARGJØRING TIL INSTALLASJONEN



ADVARSEL:

Ventilatoren er veldig tung, og må håndteres og installeres av minst to personer.

Det må være en minimumsavstand mellom komfyrens platetopp og ventilatorens underkant på 50 cm ved bruk av elektriske komfyrer, og 65 cm ved bruk av gasskomfyrer eller kombinerte gass/elektriske komfyrer.

Før installasjonen, kontroller avstandene i platetoppens bruksanvisning.

Dersom monteringsanvisningene for platetoppens spesifiserer en større avstand, må man ta hensyn til dette.

ELEKTRISK TILKOBLING

Kontroller at voltspenningen oppført på typeskiltet tilsvarer spenningen i ditt hjem. Typeskiltet er plassert på innsiden av ventilatoren, og er synlig når du tar ut fettfilteret.

Ev. utskiftninger av nettledningen (type H05 VV-F) må kun utføres av kvalifisert personale. Kontakt et autorisert servicesenter.

Hvis apparatet er utstyrt med støpsel, må apparatet kobles til en lett tilgjengelig stikkontakt i samsvar med gjeldende lovbestemmelser. Hvis apparatet ikke er utstyrt med støpsel (direkte strømkobling), eller hvis støpslet er vanskelig tilgjengelig, må det i samsvar med installasjonsbestemmelsene installeres en godkjent topolet bryter som sikrer en total strømbryting i tilfelle strømslutt i klasse III.

GENERELLE RÅD

Før bruk

Fjern kartongbiter, beskyttelsesfilmer og klistermerker på tilbehøret.

Kontroller at apparatet ikke har blitt skadet under transporten.

Under bruk

Ikke legg vekt oppå apparatet, fordi det kan skade apparatet.


Ikke utsett apparatet for vær og vind.

MILJØVENNLIG BRUK

Avhending av emballasje

Emballasjen består av 100 % resirkulerbart materiale og er merket med resirkuleringssymbolet . Delene i emballasjen må aldri kastes i naturen, men avhendes ifølge de lokale renovasjonsforskriftene.

Avhending av apparat

- Dette apparatet er merket i samsvar med EU-direktiv 2002/96/EF om avhending av elektrisk og elektronisk utstyr (Waste Electrical and Electronic Equipment - WEEE).
- Forsikre deg om at dette apparatet blir avhendet på korrekt vis, slik at det ikke kan utgjøre noen helse- eller miljørisiko.
- Symbolet  på apparatet eller på dokumentasjonen som følger med, angir at dette apparatet ikke må behandles som husholdningsavfall, men må leveres til et kildesorteringssenter for resirkulering av elektriske og elektroniske apparat.

FEILSØKINGSLISTE

Apparatet fungerer ikke:

- Kontroller at det finnes spenning, og at apparatet er koblet til strømmen.
- Slå apparatet av og på igjen for å se om problemet har løst seg.

Ventilatoren suger ikke ut skikkelig:

- Kontroller at ønsket utsugingshastighet er innstilt.
- Kontroller at filtrene er rene.
- Kontroller at luftløpene ikke er tilstoppet.

Belysningen fungerer ikke:

- Kontroller om lyspæren må skiftes ut.
- Kontroller at lyspæren er riktig montert.

SERVICE

Før Service kontaktes:

1. Kontroller om du kan løse problemet selv ut fra punktene under "Feilsøkingliste".
2. Slå apparatet av og på igjen for å se om problemet har løst seg.

Dersom problemet vedvarer etter disse kontrollene, kontakt nærmeste servicesenter.

Oppgi alltid:

- en kort beskrivelse av feilen
- nøyaktig apparattype og modell
- servicenummeret (nummeret som står etter ordet SERVICE på typeskiltet) på innsiden av apparatet. Servicenummeret er også oppgitt på garantiseddelen
- din adresse
- ditt telefonnummer.

SERVICE 0000 000 00000



Dersom du har behov for en reparasjon, må du henvende deg til et autorisert servicesenter (dette garanterer at det benyttes originale reservedeler, og at reparasjonen utføres korrekt).

RENGJØRING



ADVARSEL:

- Ikke bruk dampensere.
- Koble apparatet fra strømmen.

VIKTIG: Ikke bruk etsende eller slipende rengjøringsmidler. Hvis ett av disse produktene skulle komme i kontakt med apparatet, må det vaskes umiddelbart med en fuktig klut.

- Rengjør overflatene med en fuktig klut. Ved mye skitt kan det tilsettes noen dråper oppvaskmiddel i vannet. Tørk av med en tørr klut.

VIKTIG: Ikke bruk slipesvamper, stålull eller metallskrapere. Bruk av slike redskaper kan med tiden ødelegge emaljeoverflatene.

- Bruk de rengjøringsmidlene som anbefales for rengjøringen av apparatet, og følg produsentens anbefalinger.

VIKTIG: Rengjør filtrene minst én gang i måneden for å fjerne rester av olje og fett.

VEDLIKEHOLD

⚠ VIKTIG:

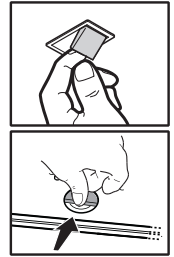
- Bruk vernehansker.
- Koble apparatet fra strømmettet.

FETTEFILTERE

Fettfilteret i metall har ubegrenset levetid og må vaskes én gang hver måned for hånd eller i en oppvaskmaskin ved lav temperatur og i en kort syklus. Ved vask i oppvaskmaskin kan det hende fettfilteret blir matt, men det vil fungere akkurat like bra for det.

Trekk ut håndtaket for å fjerne filteret.

Etter å ha vasket det og latt det tørke, monterer du det ved å gå frem i omvendt rekkefølge.

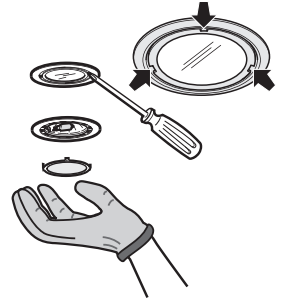


UTSKIFTING AV HALOGENLAMPENE

⚠ VIKTIG:

- Bruk kun halogenlamper på maks. 20 W - G4.

1. Koble ventilatoren fra strømmettet.
2. Vipp løs lampedeckslet ved de tre punktene med en liten skrutrekker eller lignende og fjern det.
3. Trekk ut den skadde pæren og skift den med en ny.
4. Trykk på lampedeckslet slik at det smekker på plass.



KULLFILTER (kun for modeller i filterversjon)

Suger opp ubehagelig lukt fra matlagning.

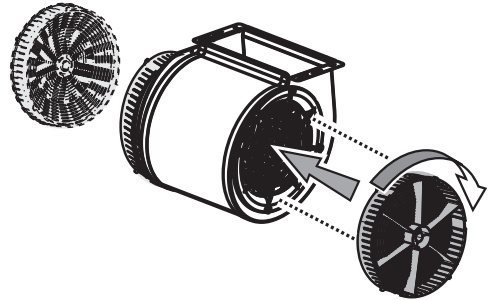
Kullfilteret må skiftes ut hver 4. måned

Montering eller utskifting av kullfilteret

1. Frakoble ventilatoren fra nettstrømmen.
2. Fjern fettfiltrene.
3. Sett et kullfilter på hver side slik at de dekker begge beskyttelsesristene på viftemotoren. Drei filtrene med urviseren for å låse dem fast på tappene på midten.

Gå fram i motsatt rekkefølge ved demontering.

Sett fettfiltrene tilbake på plass.



VEDLAGT MATERIALE

Ta alle komponentene ut av pakningene. Kontroller at alle komponentene er tilstede.

- Ventilator med motor, lamper og fettfiltre montert (1 eller 2 fettfiltre, avhengig av modellen).
- Bruks- og monteringsanvisning
- 1 hullskjema for montering
- 1 - overgangsstykke Torx T10
- 1 - overgangsstykke Torx T20
- 1 luftskjerm
- 3 murplugger Ø 8mm
- 3 skruer Ø 5x45
- 3 skruer Ø 3,5x9,5
- 1 skive Ø 5,3x2
- 1 ledningsklemme
- Strømledning
- 2 kullfiltre

INSTALLASJON - MONTERINGSFORUTSETNINGER

Ventilatoren er beregnet for installasjon i "filterversjon".

Filterversjon

Luften filtreres gjennom ett eller flere kullfiltre og føres ut i rommet igjen.

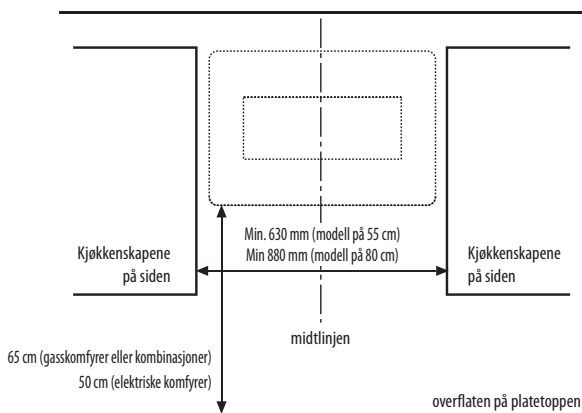
VIKTIG: Kontroller at luften kan sirkulere fritt.

Dersom ventilatoren ikke er utstyrt med kullfilter/filtre, må dette/disse anskaffes og monteres før bruk.

Installasjon av ventilatoren bør utføres i rene omgivelser, langt fra vinduer, dører og varmekilder.

Ventilatoren leveres med alt materiale som er nødvendig for installasjon på de fleste vegger/tak. Du bør likevel kontakte en kvalifisert tekniker og forsikre deg om at det vedlagte materialet egner seg til veggene/taket.

INSTALLASJONSMÅL



INSTALLASJON - MONTERINGSANVISNINGER

Instruksene nedenfor med løpende nummerering, viser til tegningene som du finner på de siste sidene i denne anvisningen og med den samme nummereringen.

VIKTIG: Ventilatoren leveres som filterversjon.

Kullfilteret er vedlagt og må monteres etter installasjon (som vist på **fig.12**).

1. Lag en loddrett midtlinje på veggen.
2. Hold hullskjemaet mot veggen (fest det med teip): Den loddrette midtlinjen på hullskjemaet skal følge midtlinjen du tegnet på veggen. Videre skal underkanten av hullskjemaet svare til underkanten av ventilatoren.

VIKTIG: Underkanten av hullskjemaet må ha en avstand på minst 50 cm (elektriske platetopper) eller på 65 cm (gassplatetopper).

3. Lag 3 hull som vist på tegningen.
4. Fjern hullskjemaet fra veggen, sett de 2 pluggene og de 2 skruene inn i veggen. Påse at de stikker ut cirka 5 mm; sett den tredje pluggen inn i det nederste hullet.
5. Sett plastristen over ventilatorens luftutløp
6. Hekt ventilatoren på festeskruene ved hjelp av hullene på baksiden.
7. Fjern fettfiltrene.
8. Sett skiven og sikkerhetsskruen i det nederste hullet.
9. Fest ventilatoren til veggen ved å stramme festeskruene.
10. **Legg strømledningen på plass.**
11. **Fest ledningen med ledningsklemmen.**

VIKTIG: Det er påbudt å utføre denne operasjonen. På denne måten hindres utilsiktet frakobling av strømledningen.

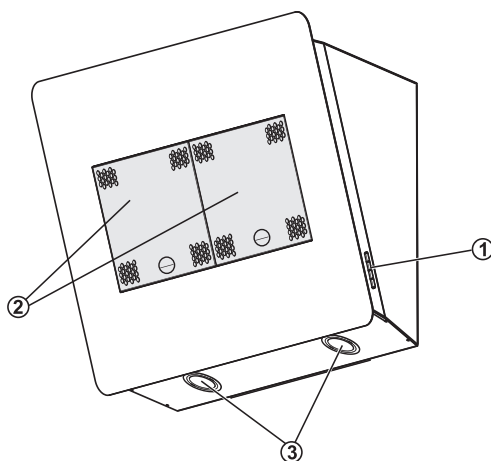
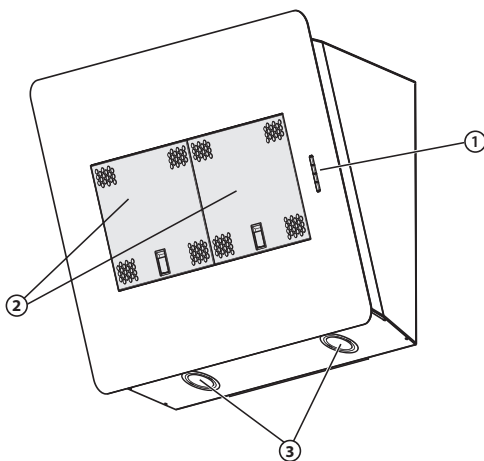
Tilkobling til strømmettet.

12. Plasser kullfiltrene over motoren. Drei filtrene for å låse dem fast på tappene i midten.
13. Sett fettfiltrene tilbake på plass.

Kontroller at ventilatoren fungerer som den skal. Se avsnittet Beskrivelse og bruk av ventilatoren.

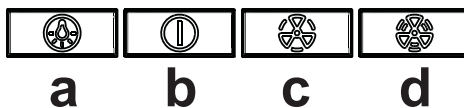
BESKRIVELSE OG BRUK AV VENTILATOREN

1. Betjeningspanel.
2. Fettfiltre.
3. Halogenlamper.



Betjeningspanel


- a. PÅ/AV-lys bryter
- b. PÅ/AV-tast for motoren og valg av laveste hastighet (sugeeffekt)
- c. Tast for valg av middels hastighet (sugeeffekt)
- d. Tast for valg av høyeste hastighet (sugeeffekt)



VIGTIGE SIKKERHEDSVEJLEDNINGER

DIN SIKKERHED OG ANDRES ER DET VIGTIGSTE

Denne vejledning og apparatet selv indeholder vigtige sikkerhedsadvarsler, som skal læses og overholdes på alle tidspunkter.

 Dette er opmærksomheds-symbolet, hvad angår sikkerhed, som advarer brugere om potentielle risici for dem selv og andre.

Alle sikkerhedsadvarsler indledes med opmærksomheds-symbolet og de følgende udtryk:



FARE:

Angiver en farlig situation, som, hvis den ikke undgås, vil forårsage alvorlig kvæstelse.




ADVARSEL:

Angiver en farlig situation, som, hvis den ikke undgås, kan forårsage alvorlig kvæstelse.

Alle sikkerhedsadvarsler indeholder specifikke oplysninger om den foreliggende potentielle fare/advarsel, og angiver, hvordan man reducerer risikoen for kvæstelse, beskadigelse og elektrisk stød som følge af ukorrekt anvendelse af apparatet.

Følg nøje de følgende instruktioner:

- Installering og vedligeholdelse skal udføres af en kvalificeret tekniker i overensstemmelse med producentens instruktioner og lokale sikkerhedsregler. Reparer eller udskift ikke nogen af apparatets dele, med mindre det specifikt er angivet i brugervejledningen.
- Apparatet skal afbrydes fra strømforsyningen, før der udføres noget installeringsarbejde.
- Apparatet skal ekstrabeskyttes jvf. stærkstrømsreglementet. (Det er ikke muligt ved emhætter i klasse II identificeret med symbolet  på typepladen).
- Strømkablet skal være langt nok, til at apparatet kan tilsluttes stikkontakten, efter det er sat i stikdåsen.
- Hiv ikke i strømkablet for at trække stikket ud af apparatet.
- De elektriske komponenter må ikke være tilgængelige for brugeren efter installering.
- Rør ikke ved apparatet med nogen våd kropsdel, og betjen det ikke med bare fødder.
- Dette apparat er ikke beregnet til at blive brugt af børn eller personer med fysiske, sensoriske eller mentale handicap eller med manglende erfaring og kendskab til apparatet, medmindre disse personer er under opsyn eller er oplært i brugen af apparatet af en person, der er ansvarlig for deres sikkerhed.
- Undlad at reparere eller udskifte nogen som helst del af emhætten, med mindre det udtrykkeligt anbefales i håndbogen. Al form for vedligeholdelse skal udføres af en faguddannet tekniker.
- Børn skal overvåges, så de ikke leger med apparatet.
- Når der bores gennem væggen, skal du være opmærksom på ikke at beskadige elektriske forbindelse og/eller rør.
- Luftaftræk skal altid ledes udenfor.
- Producenten afviser alt ansvar for nogen skade, der er forårsaget ved ukorrekt anvendelse eller forkerte indstillinger.
- Passende vedligeholdelse og rengøring sikrer gode driftsforhold og den bedste ydelse af apparatet. Fjern regelmæssigt alt fastsiddende snavs på overfladerne, så ophobning af fedt undgås. Fjern og rengør eller udskift filteret regelmæssigt.
- Tilbered aldrig mad med flammer (flambering) under apparatet. Brugen af åben ild kan forårsage brand.
- Manglende overholdelse af anvisningerne for rengøring af emhætten samt for udskiftning eller rengøring af filtrene medfører risiko for brand.
- Udsugningsluften må ikke ledes ud i et rør, der bruges til aftræk fra apparater, der er forsynet med gas eller anden form for brændstof, men skal have et separat aftræk. Al national lovgivning med hensyn til udledning af luften skal overholdes.
- Hvis emhætten bruges samtidigt med andre apparater der bruger gas eller andre brændbare materialer, må det negative tryk i rummet ikke overstige 4 Pa (4x 10⁻⁵ bar). Af denne grund skal det sikres, at rummet er godt ventileret.
- Efterlad ikke stegepander uden opsyn ved stegning, da stegeolie kan antændes.
- Før lyspærerne berøres, sikres det, at de er kolde.
- Brug ikke eller efterlad ikke emhætten uden at lyspæren er isat korrekt, da dette kan forårsage elektrisk stød.
- Emhætten er ikke et køkkenbord og der må derfor ikke placeres nogen objekter ovenpå den, og den må ikke overbelastes.
- Under alt installerings- og vedligeholdelsesarbejde skal der bæres egnede arbejdshandsker.
- Dette apparat er ikke egnet for udendørs brug.
- Når kogesektionen er i funktion, kan alle tilgængelige dele på emhætten blive varme.

Bortskaffelse af husholdningsapparater

- Dette apparat er fremstillet af genanvendelige materialer. Bortskaf det i overensstemmelse med lokale regler for bortskaffelse af affald. Før kassering skæres elkablet af.
- For yderligere information om behandling, genindvinding og genbrug af elektriske husholdningsapparater, bedes du kontakte dine lokale myndigheder, indsamlingservice for husholdningsaffald eller den butik, hvor du købte apparatet.

GEM DENNE VEJLEDNING TIL SENERE BRUG.

INSTALLERING

Efter udpakning af apparatet checkes det for eventuelle transportskader. I tilfælde af problemer kontaktes forhandleren eller din nærmeste After-sales service. For at forebygge skader bør apparatet kun fjernes fra sin flamengoindpakning, når den skal til at installeres.

FORBEREDELSE TIL INSTALLERING



ADVARSEL:

Dette er et tungt produkt; Emhætten bør kun løftes og installeres af to eller flere personer.

Afstanden mellem gryder og pander ovenpå komfuret og bunden af emhætten må ikke være mindre end 50 cm for elektriske komfurer og 65 cm for gas- eller blandede komfurer.

Før installation checkes også de minimumsafstande, der er angivet i komfurets vejledning.

Hvis installationsvejledningen for kogesektionen angiver en større afstand, skal denne overholdes.

ELEKTRISK TILSLUTNING

Sørg for, at den spænding, der er specificeret på apparatets kapacitetsplade, er den samme som forsyningsspændingen.

Denne information kan findes på indersiden af emhætten, under fedtfilteret.

Udskiftning af elkabel (type H 05 VV-F) skal udføres af en autoriseret elektriker. Kontakt et autoriseret servicecenter.

Hvis emhætten er udstyret med et elektrisk stik, slutes stikket til en stikkontakt, som opfylder de gældende regler, placeret på et tilgængeligt sted. Hvis der ikke er et stik (direkte ledningstilslutning til strømforsyningen) eller hvis stikkontakten ikke er placeret på et tilgængeligt sted, installeres en standardiseret dobbeltpolet kontakt, som vil sikre fuld isolering fra strømforsyningen i tilfælde af kategori III overspændingsforhold, i overensstemmelse med installationsregler.

GENERELLE ANBEFALINGER

Før brug

Fjern beskyttelsesappet, beskyttende film og klistermærker fra udstyret.

Undersøg apparatet for eventuelle transportskader..


Under brug

For at undgå skader må der ikke placeres vægt på apparatet.


Udsæt ikke apparatet for vejr- og vindforhold.

OPLYSNINGER OM MILJØHENSYN

Bortskaffelse af emballage

Emballagen kan genbruges 100% og er mærket med genbrugssymbolet . Derfor skal de forskellige dele af emballagen bortskaffes på ansvarlig vis og i fuld overensstemmelse med de lokale myndigheders regler vedrørende bortskaffelse af affald.

Bortskaffelse af produktet

- Dette produkt er mærket i henhold til EU-direktiv 2002/96/EF om Kasseret elektrisk og elektronisk udstyr (WEEE).
- Ved at sikre, at dette produkt bliver bortskaffet korrekt, hjælper du med til at forhindre potentielle, negative konsekvenser for miljøet og folkesundheden.
- Symbolet  på produktet eller på den medfølgende dokumentation angiver, at det ikke skal behandles som husholdningsaffald, men skal bringes til et egnet indsamlingssted for genanvendelse af elektrisk og elektronisk udstyr.

FEJLFINDINGSOVERSIGT

Apparatet virker ikke:

- Undersøg om strømforsyningen virker og om apparatet er tilsluttet strømforsyningen;
- Sluk for apparatet og genstart det for at se, om fejlen varer ved.

Emhættens udsugningsniveau er ikke tilstrækkeligt:

- Kontrollér hastigheden for udsugning og juster efter behov;
- Kontrollér, at filtrene er rene;
- Kontrollér luftaftrækkene for tilstopninger.

Lyset virker ikke:

- Kontrollér lyspæren og udskift den om nødvendigt;
- Kontrollér, at lyspæren er sat korrekt i.

SERVICE

Før Service kontaktes:

1. Forsøg om du selv kan løse problemet med hjælp af forslagene, der er angivet i "Fejlfindingsguiden".
2. Sluk for apparatet og tænd igen for at se, om fejlen varer ved.

Hvis fejlen stadig forekommer efter ovenstående kontroller, tages kontakt til den nærmeste After-sales service.

Angiv altid:

- en kort beskrivelse af fejlen;
- apparatets præcise type og model;
- servicenummeret (nummer efter ordet Service på kapacitetspladen) der findes inden i apparatet. Servicenummeret er også angivet på garantihæftet;
- din fulde adresse;
- dit telefonnummer.

SERVICE 0000 000 00000



Hvis der kræves reparationer, kontakt venligst en autoriseret After-sales service (for at garantere, at der vil blive brugt originale reservedele, og at reparationer vil blive udført korrekt).

RENGØRING



ADVARSEL

- Brug aldrig damprensningsudstyr.
- Afbryd apparatet fra strømforsyningen.

VIGTIGT: Brug ikke ætsende eller slibende rensmidler. Hvis nogen af disse produkter kommer i kontakt med apparatet ved et uheld, tørres det straks af med en fugtig klud.

- Rengør overfladerne med en fugtig klud. Hvis det er meget snavset, tilføjes nogle få dråber opvaskemiddel i vandet. Slut af med en tør klud.

VIGTIGT: Brug ikke slibende svampe eller metalskrabere eller skuresvampe. Med tiden kan disse ødelægge den lakerede overflade.

- Brug rengøringsmidler specielt beregnet til rengøring af apparatet og følg producentens vejledninger.

VIGTIGT: Rengør filtrene mindst en gang om måneden for at fjerne rester af olie eller fedt.

VEDLIGEHOLDELSE

! VIGTIGT:

- brug beskyttelsehandsker.
- tag emhættens stik ud af stikkontakten.

FEDTFILTRE

Fedtfileret af metal har en ubegrænset holdbarhed og skal vaskes én gang om måneden i hånden eller i opvaskemaskine ved lav temperatur og på kort program. Hvis fedtfileret vaskes i opvaskemaskinen, kan det blive mat, men dette ændrer ikke dets filtrerende egenskaber.

Træk i håndtaget for at fjerne filteret.

Når filteret er vasket og tørret, sættes det i igen i omvendt rækkefølge.

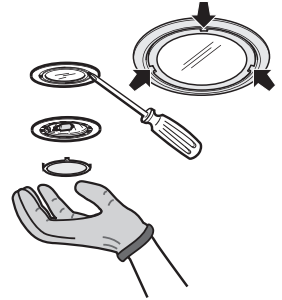


UDSKIFTNING AF HALOGENPÆRERNE

! VIGTIGT:

- Anvend kun nye halogenpærer på maks. 20W - G4.

1. Tag emhættens stik ud af stikkontakten.
2. Anvend en lille skruetrækker til at skubbe forsigtigt i nærheden af de tre angivne punkter, og træk lampedækslet af.
3. Fjern den sprungne pære, og sæt en ny i.
4. Luk loftslampedækslet igen (snaplås).



KULFILTER (kun modeller med filtrering)

Tilbageholder ubehagelige lugte fra tilberedningen.

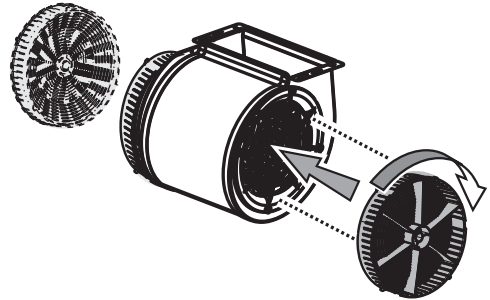
Udskift kulfilteret hver 4. måned

Montering eller udskiftning af kulfilteret

1. Tag emhættens stik ud af stikkontakten.
2. Fjern fedtfiltrene.
3. Monter et kulfilter på hver side, så de dækker dækker motorsvinghjulets beskyttelsesriste. Drej filtrene med uret, så de midterste stifter fastlåser dem.

Afmonteres i omvendt rækkefølge.

Monter fedtfiltrene igen.



MEDFØLGENDE MATERIALE

Tag alle delene ud af pakkerne. Kontrollér, at alle delene findes.

- Emhætte samlet med motor, lamper og fedtfilter (1 eller 2 fedtfilter afhængigt af modellen).
- Vejledning i montering og brug
- 1 montageskabelon
- 1 adapter Torx T10
- 1 adapter Torx T20
- 1 deflektor
- 3 raw/plugs, Ø 8 mm
- 3 skruer, Ø 5x45
- 3 skruer, Ø 3,5x9,5
- 1 spændskive, Ø 5,3x2
- 1 kabelholder
- Tilgangskabel
- 2 kulfiltere

INSTALLATION - INDLEDENDE MONTERINGSVEJLEDNING

Emhætten er beregnet til brug i "Version med filtrering".

Version med filtrering

Luften filtreres gennem et kulfilter/nogle kulfiltere, hvorefter den igen strømmer ud i rummet.

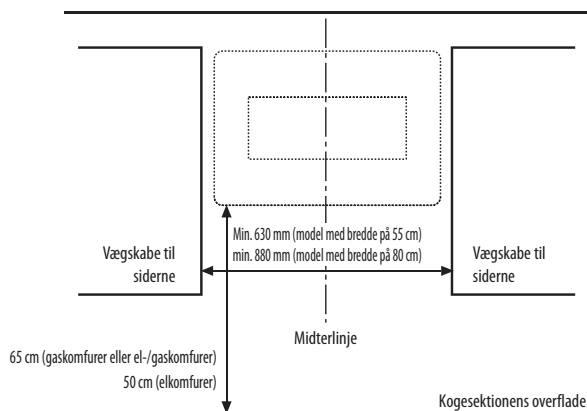
VIGTIGT: Kontrollér, at luftcirkulationen forekommer uhindret.

Hvis emhætten ikke er udstyret med kulfilter/-filtre, skal dette/disse bestilles og monteres, inden emhætten anvendes.

Installation af emhætten skal ske langt fra meget snavsede områder og fra vinduer, døre og varmekilder.

Emhætten leveres sammen med alt det nødvendige materiale til monteringen på langt de fleste typer vægge/lofter. En erfaren montør skal dog kontrollere, at materialerne er egnede til den pågældende type væg/loft.

INSTALLATIONSMÅL



INSTALLATION - MONTERINGSVEJLEDNING

Vejledningen i numerisk rækkefølge herunder refererer til tegningerne på de sidste sider i denne vejledning med de pågældende talreferencer.

VIGTIGT: Emhætten leveres i den filtrerede version.

Kulfilteret medfølger, og det skal monteres efter installationen (som vist i **fig. 12**).

1. Tegn en lodret midterlinje på væggen med en blyant.
2. Anbring boreskabelonen på væggen (fastgør den med tape): Den lodrette midterlinje på boreskabelonen skal svare til den midterlinje, der er tegnet på væggen. Desuden skal skabelonens nederste kant svare til emhættens nederste kant.

VIGTIGT: Boreskabelonens nederste kant skal befinde sig i en afstand på mindst 50 cm (elkogezone) eller 65 cm (gaskogezone).

3. Bor 3 huller som angivet på tegningen.
4. Fjern boreskabelonen fra væggen, og sæt de 2 rawplugs og de 2 skruer i væggen. Sørg for, at de rager ca. 5 mm ud. Sæt den tredje rawplug i det nederste hul.
5. Monter plastristen på emhættens luftudgangshul.
6. Hæng emhætten på fastgørelsesskruerne gennem den specielle perforering på bagsiden.
7. Fjern fedtfilterne.
8. Sæt spændskiven og sikkerhedsskruen i det nederste hul.
9. Fastgør emhætten til væggen ved at skrue fastgørelsesskruerne helt i.
10. **Anbring elledningen i det dertil beregnede sted.**
11. **Fastgør ledningen med kabelklemmen.**

VIGTIGT: Denne operation skal udføres. Den har til formål at forhindre, at ledningen kobles fra ved et uheld.

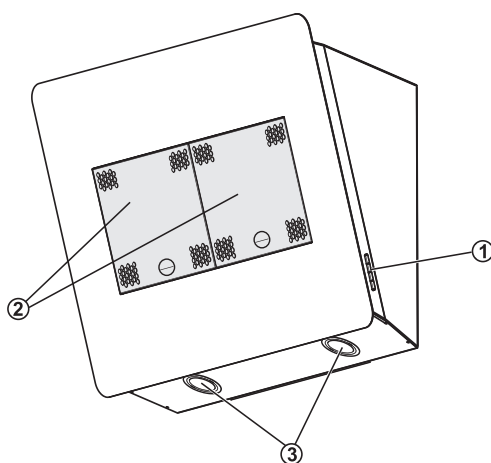
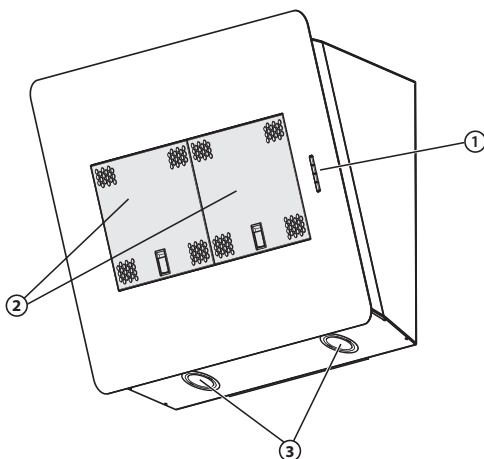
Slut apparatet til husets elforsyning.

12. Monter kulfilterne over motordækslet. Drej filterne, så de midterste stifter fastlåser dem.
13. Monter fedtfilterne igen.

Kontrollér emhættens funktion med reference til afsnittet med beskrivelsen og brugen af emhætten.

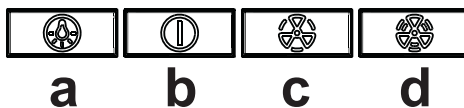
BESKRIVELSE OG BRUG AF EMHÆTTEN

1. Betjeningspanel.
2. Fedtfiltere.
3. Halogenlamper.



Betjeningspanel

- a. ON/OFF-knap til lys
- b. OFF/ON-knap til motor og valg af minimum udsugningshastighed (effekt)
- c. Knap til valg af middel udsugningshastighed (effekt)
- d. Knap til valg af maksimal udsugningshastighed (effekt)



TÄRKEITÄ TURVALLISUUSOHJEITA

SINUN JA TOISTEN TURVALLISUUS ON HYVIN TÄRKEÄÄ.

Ohjekirjassa ja laitteessa on useita tärkeitä turvallisuusviestejä. Lue aina kaikki turvallisuusviestit ja noudata niitä.

 Tämä on varoitussymboli, joka varoittaa käyttäjään ja muihin kohdistuvista mahdollisista vaaroista.


Kaikkien turvallisuusviestien edessä on varoitussymboli ja yksi seuraavista sanoista:

 **VAARA:** vaarallinen tilanne, josta on seurauksena vakava loukkaantuminen.

 **VAROITUS:** vaarallinen tilanne, josta saattaa olla seurauksena vakava loukkaantuminen.

Kaikkissa turvallisuusviesteissä kerrotaan vaaran luonne/varoitus ja kuinka laitteen virheellisestä käytöstä johtuvan loukkaantumisen, vaurioiden ja sähköiskujen vaaraa voidaan vähentää.

Noudata seuraavia ohjeita huolellisesti:

- Asennuksen ja huollon saa suorittaa vain pätevä asiantuntija valmistajan ohjeiden ja voimassa olevien paikallisten turvallisuusmääräysten mukaisesti. Älä korjaa tai vaihda mitään laitteen osia tai huolla sitä, ellei niin erikseen mainita käyttöohjeessa.
- Katkaise laitteen sähkö ennen asennustoimenpiteitä.
- Laitteen maadoittaminen on pakollista. (Se ei ole mahdollista luokan II liesituulettimille, joiden  arvokilvessä on vastaava merkintä.)
- Sähköjohdon tulee olla riittävän pitkä laitteen liittämiseksi pistorasiaan.
- Katkaise laitteen sähkö irrottamalla pistoke pistorasiasta. Älä vedä sähköjohdosta.
- Laitteen sähköosiin ei tule voida koskea laitteen asennuksen jälkeen.
- Älä koske laitetta märillä kehon osilla tai käytä sitä paljain jaloin.
- Laitetta ei ole tarkoitettu sellaisten henkilöiden käyttöön (lapset mukaan lukien), joiden fyysinen, aistien tai mielen terveys on heikentynyt tai joilla ei ole asianmukaista kokemusta tai tietoa laitteen käytöstä, ellei heidän turvallisuudestaan vastaava henkilö ole valmentanut heitä laitteen käyttöön tai valvo sitä.
- Älä korjaa laitetta tai vaihda mitään sen osaa ellei käyttöohjeessa erityisesti näin neuvota. Kaikki muut huoltotoimenpiteet saa suorittaa vain pätevä teknikko.
- Lapsia on valvottava, jotta voidaan olla varmoja siitä, etteivät he leiki laitteella.
- Varo seinää poratessasi, ettet vaurioita sähköjohtoja ja/tai putkia.
- Tuuletuskanavien tulee aina johtaa ulos.
- Valmistaja vapautuu kaikesta vastuusta, jos laitetta käytetään virheellisesti tai säätimet asetetaan väärin.
- Laitteen säännöllinen puhdistus ja huolto takaa sen asianmukaisen toiminnan ja hyvän suorituskyvyn. Poista ruokatahrat säännöllisesti pinnoilta, ettei niille muodostu rasvakerääntymiä. Poista ja puhdista tai vaihda suodatin säännöllisesti.
- Älä liekitä ruokaa laitteen alla. Liekit saattavat sytyttää tulipalon.
- Liesituulettimen puhdistusohjeiden ja suodattimien puhdistus- ja vaihto-ohjeiden noudattamatta jättäminen aiheuttaa tulipalovaaran.
- Poistoilmaa ei saa ohjata putkistoon, jota käytetään kaasulla tai muilla palavilla aineilla toimivien laitteiden aiheuttamien savujen poistamiseen, vaan sitä varten on varattava oma poistoputkensa. Kaikkia kansallisia ilmanpoistoon liittyviä määräyksiä on noudatettava.
- Jos käytät liesituuletinta tilassa, jossa on kaasulla tai muilla polttoaineilla toimivia laitteita, huoneen alipaine ei saa olla yli 4 Pa (4 x 10⁻⁵ bar). Varmista, että huoneen ilmastointi on riittävä.
- Älä jätä paistinpannu valvomatta ruokaa paistaessasi, sillä paistoöljy saattaa syttyä palamaan.
- Varmista ennen lamppujen koskettamista, että ne ovat jäähtyneet.
- Älä käytä tai jätä liesituuletinta ilman asianmukaisesti asennettuja lamppuja, sillä vaarana on sähköisku.
- Liesituuletin ei ole tukitaso, joten älä aseta sen päälle esineitä tai ylikuormita liesituuletinta.
- Käytä aina käsiineitä asennus- ja huoltotoimenpiteiden aikana.
- Laitetta ei tule käyttää ulkona.
- Keittotason ollessa käytössä liesituulettimen esillä olevat osat voivat kuumentua.

Laitteen hävitys

- Laitte on valmistettu kierrätettävästä tai uusiokäyttöön kelpaavasta materiaalista. Noudata paikallisia jätehuoltomääräyksiä, kun poistat laitteen käytöstä. Leikkaa sähköjohto poikki ennen käytöstä poistoa, jotta laitetta ei voida enää liittää sähköverkkoon.
- Pyydä lisätietoja laitteen käsittelystä, talteenotosta ja kierrätyksestä paikallisesta virastosta, jätehuoltolaitoksesta tai laitteen jälleenmyyjältä.

LUETTUASI OHJEKIRJAN PANE SE TALTEEN VASTAISUUDEN VARALLE.

ASENNUS

Kun laite on purettu pakkauksesta, varmista ettei se ole vaurioitunut kuljetuksen aikana. Jos käytössä on ongelmia, ota yhteys jälleenmyyjään tai huoltopalveluun. Poista laite polystyreenialustalta vasta ennen asennusta, ettei se vaurioidu.

ENNEN ASENNUSTA



VAROITUS:

Painava esine; liesituulettimen siirtoon ja asennukseen tarvitaan kaksi tai useampi henkilö.

Lieden keittotason ja liesituulettimen alaosan välisen etäisyyden tulee olla vähintään 50 cm (sähköliesi) tai 65 cm (kaasu- tai sekaliesi).

Tarkista oikea etäisyys keittotason käyttöohjeesta ennen asennusta.

Hellan asennusohjeissa mahdollisesti määritetty tavallista suurempi etäisyys on huomioitava asennuksessa

SÄHKÖLIITÄNTÄ

Tarkista, että arvokilvessä annettu jännite vastaa asuntosi jännitettä. Arvokilpi sijaitsee liesituulettimen sisällä; poista rasvasuodatin.

Sähköjohdon (tyyppi H05 VV-F) saa vaihtaa ainoastaan pätevä asiantuntija. Ota yhteys valtuutettuun huoltopalveluun.

Jos laitteessa on pistoke, liitä se pistorasiaan, joka on voimassa olevien lakien mukainen ja helposti saavutettavassa paikassa. Ellei pistoketta ole (suora liitäntä sähköverkkoon) tai pistorasia on vaikeasti saavutettavassa paikassa, asenna lakien mukainen kaksinapainen kytkin, joka katkaisee sähkön ylijännitteen ollessa luokkaa III. Noudata asennusmääräyksiä.

YLEISIÄ SUOSITUKSIA

Ennen käyttöä

Poista pahvisuojukset, suojakelmut ja varusteissa olevat tarrat.

Varmista, ettei laite ole vaurioitunut kuljetuksen aikana.

Käytön aikana

Älä aseta laitteen päälle painoja, ettei se vaurioidu.


Älä altista laitetta ilmastotekijöille.

YMPÄRISTÖNSUOJELUA KOSKEVIA OHJEITA

Pakkauksen hävitys

Pakkaus on valmistettu 100-prosenttisesti kierrätettävästä materiaalista ja siinä on kierrätysmerkki . Pakkausmateriaaleja ei saa heittää roskiin, vaan ne on hävitettävä paikallisten viranomaisten määräysten mukaisesti.

Laitteen hävitys

- Tämä laite vastaa Euroopan Unionin Sähkö- ja elektroniikkalaitteiden kierrätysdirektiiviä (WEEE) 2002/96/EY.
- Varmistamalla, että tuote poistetaan käytöstä asianmukaisesti, voidaan auttaa estämään sellaiset ympäristö- ja terveyshaitat, joita voi aiheutua jätteiden asiattomasta käsittelystä.
- Laitteessa tai rahtikirjassa oleva merkintä  osoittaa, ettei laitetta saa hävittää sekajätteen seassa. Se tulee toimittaa asianmukaiseen sähkö- ja elektroniikkalaiteromun keräyspisteeseen.

VIANETSINTÄ

Laite ei toimi:

- Tarkista, että verkossa on jännitettä ja että laite on liitetty sähköverkkoon.
- Sammuta laite ja kytke se päälle uudelleen nähdäksesi, toistuuko häiriö.

Liesituuletin ei toimi riittävän tehokkaasti:

- Tarkista, että imunopeus on halutun mukainen.
- Tarkista, että suodattimet ovat puhtaat.
- Tarkista, etteivät ilmanvaihtoaukot ole tukossa.

Lamppu ei toimi:

- Tarkista, tarvitseeko lamppu vaihtaa.
- Tarkista, onko lamppu asennettu oikein.

HUOLTOPALVELU

Ennen kuin otat yhteyttä huoltoon:

1. Kokeile, voitko korjata vian itse. Katso Vianetsintäluvun selitystä.
2. Sammuta laite ja kytke se päälle uudelleen nähdäksesi, toistuuko häiriö.

Jos vika ei yllä mainittujen tarkistusten jälkeen ole korjautunut, ota yhteys lähimpään huoltopalveluun.

Ilmoita aina:

- vian lyhyt kuvaus
- laitteen tyyppi ja malli
- Service-numero (arvokilpeen sanan SERVICE jälkeen merkitty numero), joka sijaitsee laitteen sisällä. Service-numero on merkitty myös takuukorttiin.
- täydellinen osoitteesi
- puhelinnumerosi.

SERVICE 0000 000 00000



Jos laite täytyy korjata, ota yhteys **valtuutettuun huoltopisteeseen**, jotta voit olla varma, että varaosat ovat alkuperäisiä ja korjaus suoritetaan oikein.

PUHDISTUS

VAROITUS

- Älä käytä höyrypesuria.
- Katkaise laitteen sähkö.

TÄRKEÄÄ: Älä käytä syövyttäviä tai hankaavia aineita. Jos näitä aineita joutuu tahattomasti laitteen pinnoille, puhdista välittömästi kostealla pyyhkeellä.

- Puhdista pinnat kostealla pyyhkeellä. Jos likaa on huomattavasti, lisää veteen hieman astianpesuainetta. Pyyhi kuivalla pyyhkeellä.

TÄRKEÄÄ: Älä käytä hankaussieniä, teräsvillaa tai metalliraaputtimia. Niiden käyttö saattaa ajan myötä vaurioittaa emaloituja pintoja.

- Käytä erityistä laitteelle tarkoitettua puhdistusainetta. Noudata valmistajan ohjeita.

TÄRKEÄÄ: puhdista suodattimet vähintään kerran kuukaudessa poistaaksesi rasvat.

⚠ HUOMIO:

- Käytä suojakäsineitä.
- Kytke laite irti sähköverkosta.

RASVASUODATTIMET

Metallisen rasvasuodattimen käyttöikä on rajaton, ja se on pestävä kerran kuussa käsin tai astianpesukoneessa alhaisessa lämpötilassa lyhyellä pesuohjelmalla. Konepesussa rasvasuodattimen väri voi himmentyä, mutta sen suodatusteho ei muutu. Irrota suodatin vetämällä kahvasta.

Kun olet pessyt rasvasuodattimen ja antanut sen kuivua, aseta se takaisin paikalleen toimien päinvastaisessa järjestyksessä.

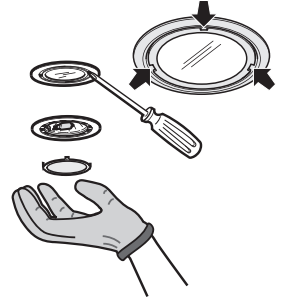


HALOGEENILAMPUJEN VAIHTAMINEN

⚠ HUOMIO:

- Käytä vain tyyppi G4 halogeenilamppuja, joiden teho on enintään 20 W.

1. Kytke liesituuletin irti sähköverkosta.
2. Käytä pientä ruuvimeisseliä varovasti vipuna (kolmessa kuvassa näkyvässä kohdassa) ja irrota lampun suojuus.
3. Irrota viallinen lamppu kannasta ja vaihda se uuteen.
4. Aseta lampun suojuus paikalleen (se napsahtaa kiinni).



HIILISUODATIN (vain suodatinmallit)

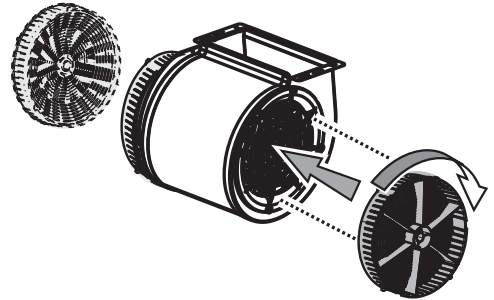
Pidättää ruoanvalmistuksessa syntyvät epämiellyttävät hajut. Hiilisuodatin täytyy vaihtaa 4 kuukauden välein

Hiilisuodattimen asennus tai vaihto

1. Kytke liesituuletin irti sähköverkosta.
2. Irrota rasvasuodattimet.
3. Aseta yksi hiilisuodatin molemmille puolille peittämään molemmat moottorin juoksupyörän suojaritilät. Lukitse suodattimet keskitappeihin kiertämällä niitä myötäpäivään.

Suodattimet irrotetaan toimien päinvastaisessa järjestyksessä.

Aseta rasvasuodattimet takaisin paikalleen.



TOIMITETTU MATERIAALI

Pura kaikki osat pakkauksista. Tarkista, että mitään ei puutu.

- Liesituuletin, jossa moottori, lamput ja rasvasuodattimet (1 tai 2 rasvasuodatinta mallista riippuen).
- Asennus- ja käyttöohjeet
- 1 porausmalline
- 1 - sovitin Torx T10
- 1 - sovitin Torx T20
- 1 suuntauslevy
- 3 ruuvitulppaa Ø 8 mm
- 3 ruuvia Ø 5x45
- 3 ruuvia Ø 3,5x9,5
- 1 ruuvi Ø 5,3x2
- 1 kaapelin vedonpoistin
- Verkkovirtajohto
- 2 hiilisuodatinta

ASENNUS - ALUSTAVAT KOKOAMISOHJEET

Tämä liesituuletin on tarkoitettu käytettäväksi suodatinversiona.

Suodatinversio

Ilma puhdistuu kiertäessään hiilisuodattimen tai -suodattimien läpi ja palaa sitten huoneilmaan.

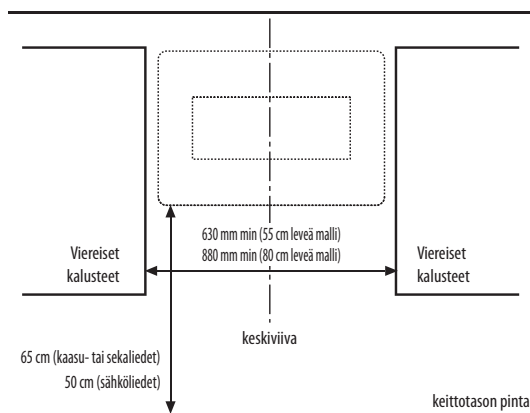
TÄRKEÄÄ: Varmista, että ilmankierto sujuu häiriöttä.

Jos liesituulettimeen ei kuulu hiilisuodatinta, se on tilattava ja asennettava ennen laitteen käyttöä.

Liesituuletin on asennettava etäälle hyvin likaisista kohdista sekä ikkunoista, ovista ja lämmönlähteistä.

Liesituulettimen mukana toimitetaan kaikki materiaalit, joita sen asennuksessa tarvitaan. Tämä koskee suurinta osaa erilaisia seinä- ja kattorakenteita. Pyydä kuitenkin asentajaa tarkistamaan, että toimitetut materiaalit soveltuvat kyseessä olevaan seinä- tai kattotyyppiin.

ASENNUSMITAT



ASENNUS - KOKOAMISOHJEET

Alla olevat numeroidut ohjeet viittaavat tämän käyttöohjeen viimeisillä sivuilla oleviin numeroilla varustettuihin piirustuksiin.

TÄRKEÄÄ: Liesituuletin toimitetaan suodatinversiona.

Hiilisuodatin kuuluu toimitukseen ja se täytyy sijoittaa paikalleen asennuksen jälkeen (kuten **kuvas**a 12).

1. Piirrä seinään keskiviivaa vastaava pystyviiva.
2. Aseta seinälle porausmalline (kiinnitä se teipillä): mallineen pystysuoran keskiviivan tulee olla seinälle piirretyn keskiviivan kohdalla ja porausmallineen alaosan täytyy olla liesituulettimen alareunan kohdalla.

TÄRKEÄÄ: Porausmallin alareunan on oltava vähintään 50 cm:n (sähköliedet) tai 65 cm:n (kaasuliedet) etäisyydellä.

3. Pora
4. Ota porausmalline seinältä, laita seinään 2 ruuvitulppaa ja 2 ruuvia. Varmista, että ne jäävät ulos noin 5 mm; aseta kolmas ruuvitulppa alareikään.
5. Aseta muoviritilä liesituulettimen ilman ulostuloaukkoon
6. Kiinnitä liesituuletin kiinnitysruuveihin erityisen takareijityksen avulla.
7. Irrota rasvasuodattimet.
8. Laita alareikään aluslaatta ja turvaruuvi.
9. Kiinnitä liesituuletin seinään kiristämällä kiinnitysruuvit.
10. **Laita sähköjohto paikalleen.**
11. **Kiinnitä johto vedonpoistimeen.**

TÄRKEÄÄ: Toimenpide on pakollinen. Näin sähköjohto ei voi irrota vahingossa.

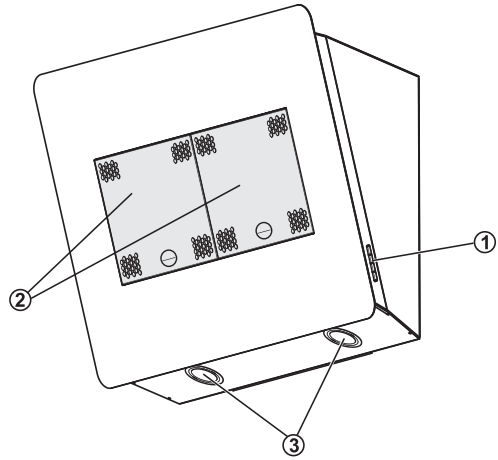
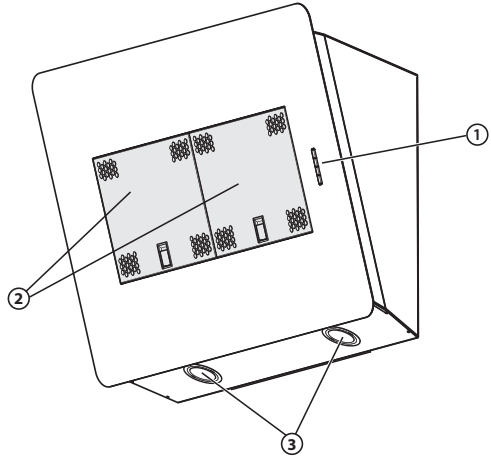
Tee liitäntä kodin sähköjärjestelmään.

12. Aseta hiilisuodattimet moottorin suojuksen päälle. Lukitse suodattimet keskitappeihin kiertämällä niitä.
13. Aseta rasvasuodattimet takaisin paikalleen.

Tarkista liesituulettimen toiminta kappaleen Liesituulettimen kuvaus ja käyttö ohjeiden mukaan.

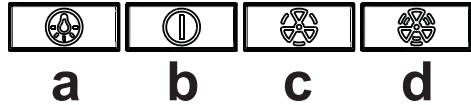
LIESITUULETTIMEN KUVAUS JA KÄYTTÖ

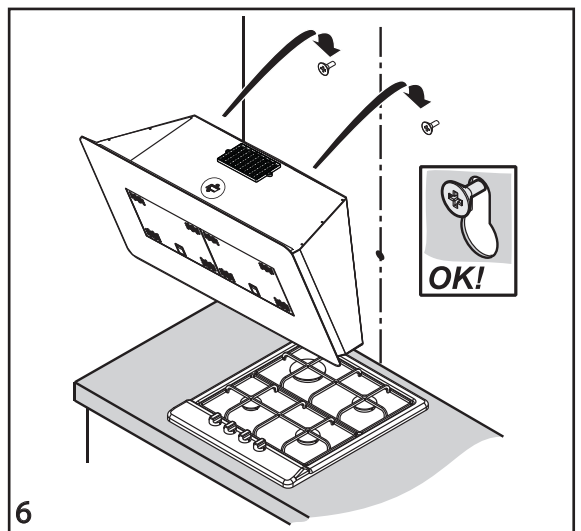
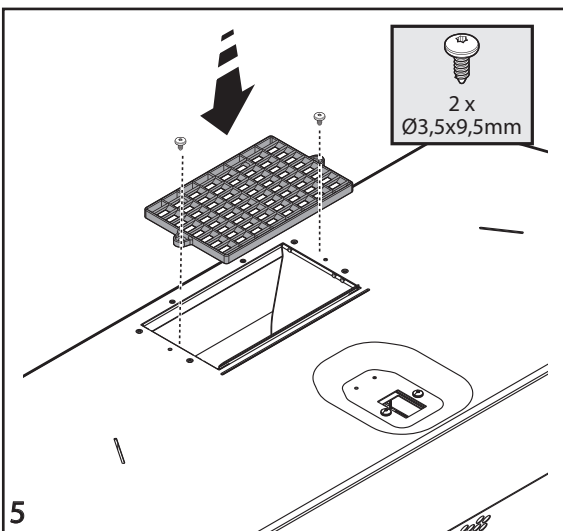
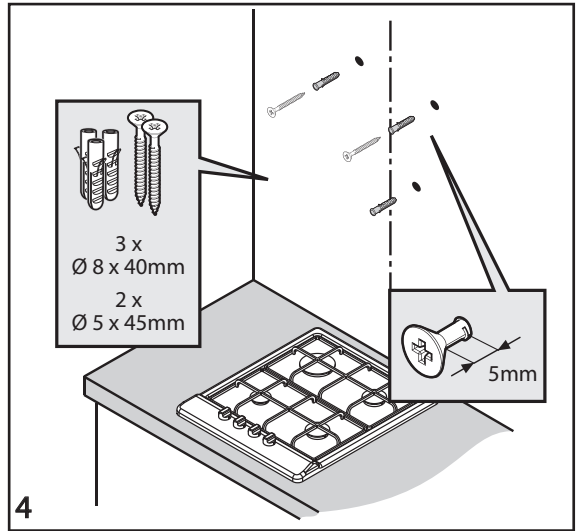
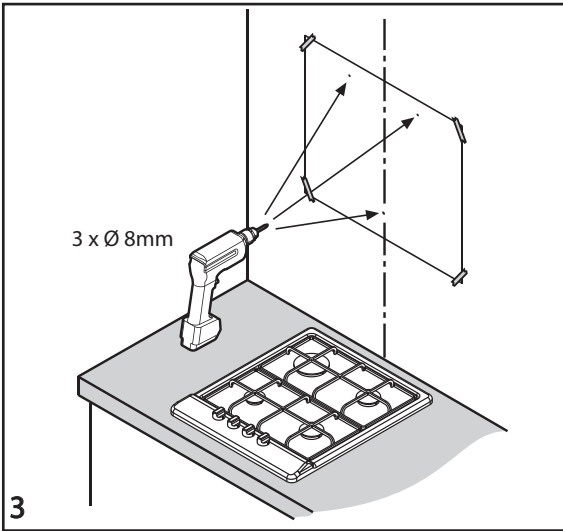
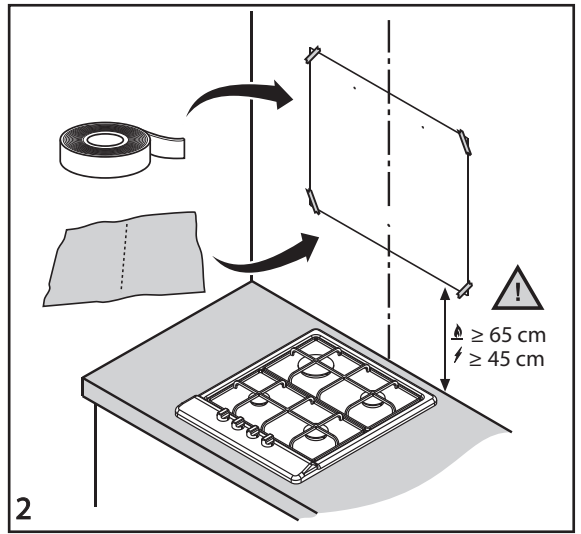
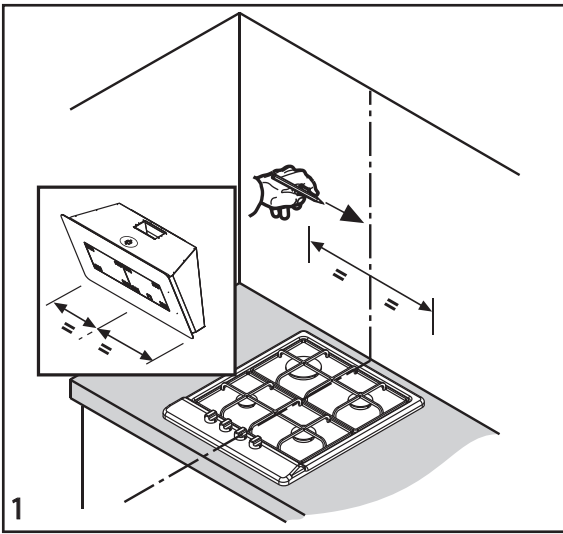
1. Käyttöpaneeli.
2. Rasvasuodattimet.
3. Halogeenilamput.

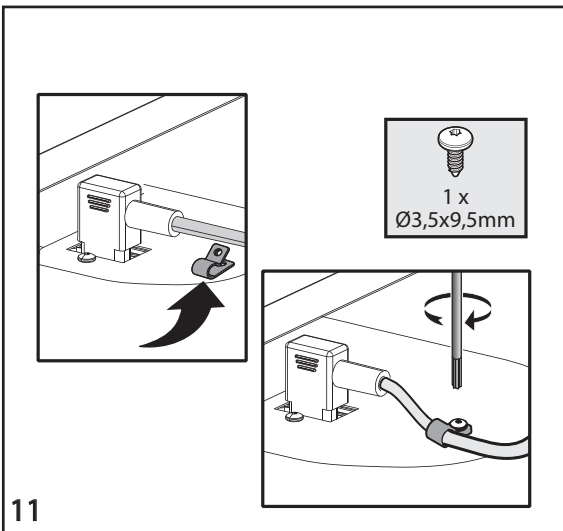
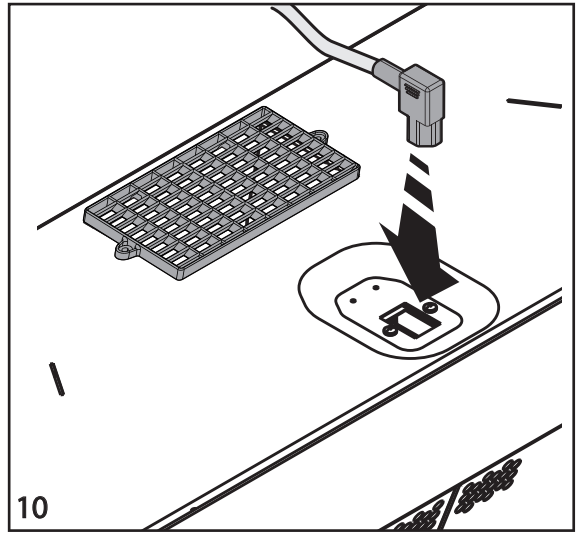
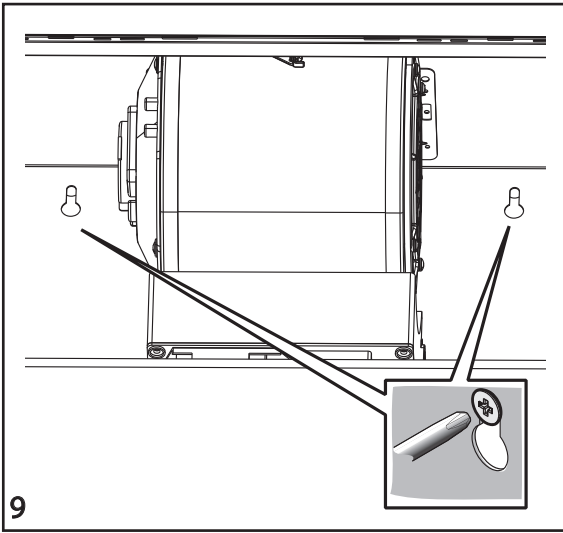
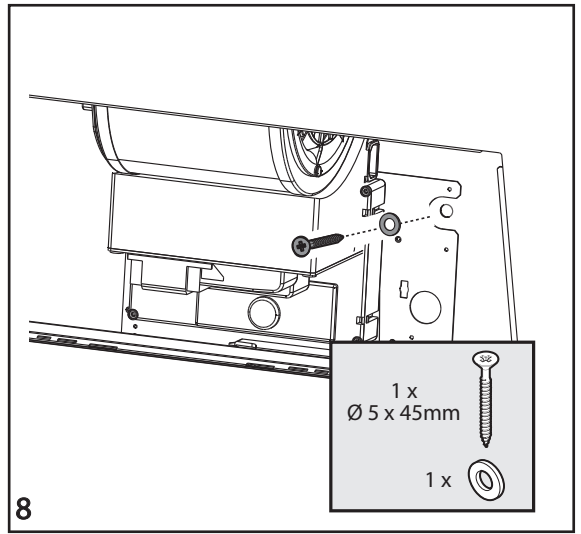
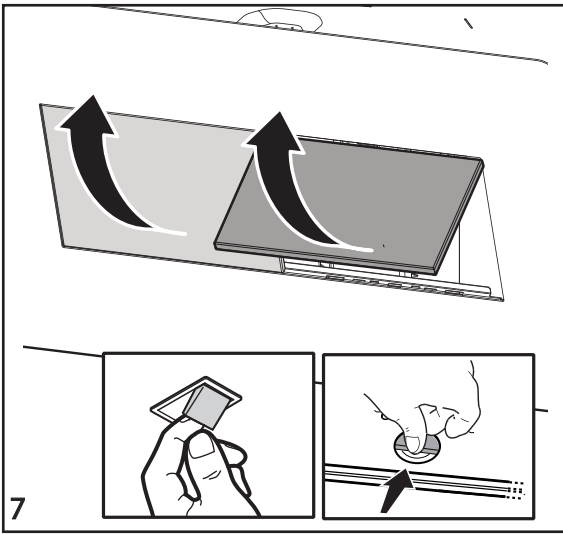


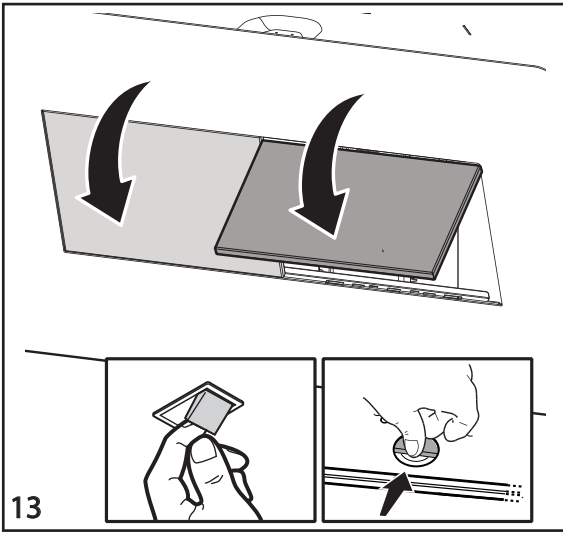
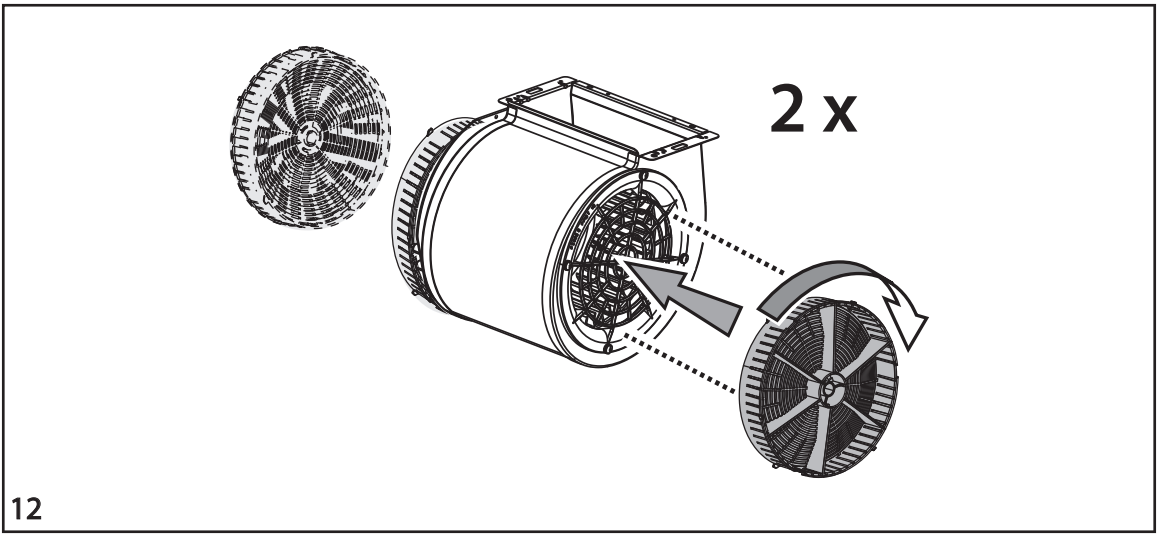
Käyttöpaneeli

- a. Valokatkaisija
- b. Moottorin virtapainike ja alimman nopeuden (imutehon) valinta
- c. Keskitason nopeuden (imutehon) valinta
- d. Suurimman nopeuden (imutehon) valinta









5019 300 01025

