

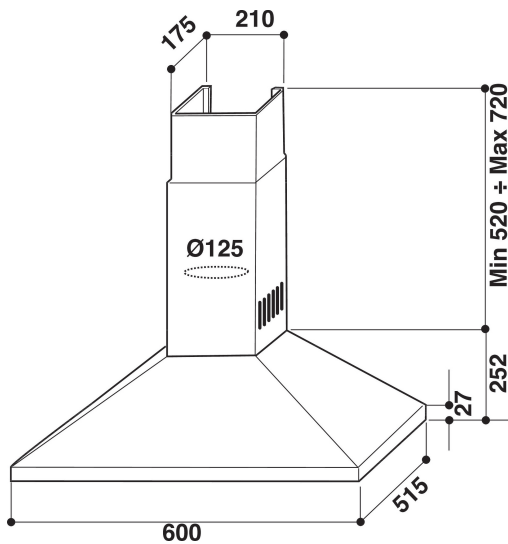
# AKR 551 NA

12NC: 857855101000

GTIN (EAN) code: 8003437974366

Whirlpool

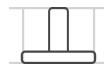
SENSING THE DIFFERENCE



- Maximum noise level 69 dBA
- Noise Level (min. - max.): 61-69 dBA
- Air Flow (min. - max.): 272, 448 m<sup>3</sup>/h
- Maximum extraction rate: 448 (m<sup>3</sup>/h)
- Energy class E
- 3 speed settings
- Integrated controls
- 2 Halogen, 56 W lamps
- 1 x 150 W motor
- Mechanical Slider
- 2 Washable aluminium filters
- Grease Filtering Efficiency Class: C
- Lighting Efficiency Class: F
- Fluid Dynamic Efficiency Class: F
- Operating Mode: Air extraction, Recirculating air
- 1 Motor
- Motor Power: 150 W

## Whirlpool wall mounted cooker hood: 60cm - AKR 551 NA

This Whirlpool wall mounted Cooker Hood features: dishwasher-safe, washable aluminium grease filters. An outstanding cooker extractor fan, ensuring a fresh, grease-free cooking environment. Between 60cm and 90cm wide appliance. New design ensuring extra silent performance.



### Flexible Installation

Flexible installation options. This Whirlpool Hood can be operated in either Ducted or Recirculated mode (filter needed), so you can enjoy complete freedom when designing your kitchen.



### Mechanical control

Effortless control. This Whirlpool Hood includes an analogue control interface designed for simplicity and ease-of-use.



### Mechanical Slider

Effortless control. This Whirlpool Hood features a slider controller, providing effortless control of your appliance.



### 3 Speeds

Versatile performance. This Whirlpool Hood offers 3 speed options, giving you complete control over the extraction rate.



### Wall-mounted installation

Wall-mounted installation. This wall-mounted Whirlpool Hood is a breeze to install.



### Total annual energy consumption

Ideal performance, outstanding savings. Whirlpool Hoods are designed to provide exceptional results, while reducing energy costs.



### Halogen Lamps

Halogen lamps generate 3 times more light than normal lamps, so you can always see what's cooking.



### 2 lights

Perfect lighting. This Whirlpool Hood features two integrated lights, providing ideal illumination, so you'll always be able to see what's cooking.



### Energy class E

This is an Energy Class E appliance.

# AKR 551 NA

12NC: 857855101000

GTIN (EAN) code: 8003437974366

# Whirlpool

SENSING THE DIFFERENCE

## MAIN FEATURES

Product group	Hood
Colour body	Anthracite
Material body	Metal
Colour chimney	-
Material chimney	-
Typology	Wall-mounted
Installation type	Wall-mounted
Type of control	Mechanical
Type of control settings	-
Decor panel options	N/A
Motor location	Integrated motor in hood body
Operating Mode	Convertible
Electrical connection rating (W)	206
Current (A)	0,9
Voltage (V)	220-240
Frequency (Hz)	50/60
Length of Electrical Supply Cord (cm)	-
Plug type	Europlug
Chimney height (mm)	320-520
Height of product, without chimney (mm)	262
Height of the product	720
Width of the product	600
Depth of the product	515
Minimum niche height	0
Minimum niche width	0
Niche depth	0
Net weight (kg)	13

## TECHNICAL FEATURES

Type of manual control devices	Slider
Type of automatic control devices	-
Number of motors	1
Total power of the motors (W)	150
Number of speed settings: boost option availability	3
Boost presence	No
Maximum output air extraction (m <sup>3</sup> /h)	372
Boost position air extraction (m <sup>3</sup> /h)	0
Maximum output recirculating air (m <sup>3</sup> /h)	217
Boost position output recirculating (m <sup>3</sup> /h)	0
Light Control Type	On/Off
Number of lights	2
Type of lamps used	Halogen
Total power of the lamps (W)	56
Diameter of air outlet (mm)	125
No-return airflow flap	No
Grease filter material	Washable aluminium
Odour filter	No

## PERFORMANCES

Sound power at min. speed (2010/30/EU)	61
Sound power at max. speed (2010/30/EU)	69
Noise level with boost position (dB(A) re 1 pW)	0

