

IMPORTANT SAFETY INSTRUCTIONS

YOUR SAFETY AND THAT OF OTHERS IS PARAMOUNT

This manual and the appliance itself provide important safety warnings, to be read and observed at all times.

 This is the attention symbol, pertaining to safety, which alerts users to potential risks to themselves and others.

All safety warnings are preceded by the attention symbol and the following terms:

 **DANGER:** indicates a hazardous situation which, if not avoided, will cause serious injury.

 **WARNING:** Indicates a hazardous situation which, if not avoided, could cause serious injury.

All safety warnings give specific details of the potential danger/warning present and indicate how to reduce risk of injury, damage and electric shock resulting from improper use of the appliance. Carefully observe the following instructions:

- Installation and maintenance must be carried out by a qualified technician, in compliance with the manufacturer's instructions and local safety regulations.
Do not repair or replace any part of the appliance unless specifically stated in the user manual.
- The appliance must be disconnected from the power supply before carrying out any installation work.
- Regulations require that the appliance is earthed. (not possible for class II hoods)
- The power cable must be long enough for connecting the appliance, once fitted in its housing, to the power supply socket.
- Do not pull the power supply cable in order to unplug the appliance.
- The electrical components must not be accessible to the user after installation.
- Do not touch the appliance with any wet part of the body and do not operate it when barefoot.
- The appliance is not intended for use by persons (including children) with any physical, sensory or mental impairment, or without experience and knowledge of the appliance, unless supervised or previously instructed in its use by those responsible for their safety.
- Do not repair or replace any part of the appliance unless specifically indicated in the manual. All other maintenance services must be carried out by a specialised technician.
- When drilling through the wall pay attention not to damage electric connections and/or pipes:
- Air vents must always discharge to the outside.
- The manufacturer rejects all responsibilities for any damage caused by improper use or wrong settings.
- Appropriate maintenance and cleaning ensure the good working order and the best performance of the appliance. Regularly clean all stubborn surface dirt to avoid grease build up. Remove and clean or change the filter regularly.
- Never flame cook food (flambé) under the appliance. Using free flames might cause fire.
- The discharge air must not be discharged in ducts that are being used to discharge combustion fumes from gas heaters or heaters using any other combustible materials. The appliance must have its own dedicated discharge outlet. All national requirements of art. 7.12.1 of CEI EN 60335-2-31 must be strictly complied with.
- If the hood is being used at the same time as other appliances using gas or other combustible materials, the negative pressure of the room must not exceed 4 Pa (4x 10⁻⁵ bars). For this reason ensure that the room is well ventilated.
- Do not leave frying pans unattended when frying, as the frying oil may catch fire.
- Before touching the light bulbs, ensure that they are cold.
- Do not use or leave the hood without the light bulb correctly fitted, as this may cause electric shock.
- The hood is not a worktop, therefore do not place any objects on top of it or overload it.
- During all installation and maintenance operations wear appropriate working gloves.
- This appliance is not suitable for outdoor use.

Scrapping of household appliances

- This appliance is manufactured with recyclable or reusable materials. Dispose of it in accordance with local waste disposal regulations. Before scrapping, cut off the power supply cable.
- For further information on the treatment, recovery and recycling of household electrical appliances, contact your competent local authority, the collection service for household waste or the store where you purchased the appliance.

KEEP THIS BOOKLET FOR FUTURE CONSULTATION.

INSTALLATION

After unpacking the appliance, check for any transport damage. In the event of problems, contact the dealer or your nearest After-sales Service. To prevent any damage, only remove the appliance from its polystyrene foam packaging at the time of installation.

PREPARING FOR INSTALLATION



WARNING:

this is a heavy product; the hood should only be lifted and installed by two or more people.

The minimum distance between the cooking pans on top of the cooker and the bottom of the hood must not be less than 50 cm for electric cookers and 65 cm for gas or mixed cookers.

Before installation also check the minimum distances stated in the manual of the cooker.

ELECTRICAL CONNECTION

Make sure the power voltage specified on the appliance rating plate is the same as the mains voltage.

This information may be found on the inside of the hood, under the grease filter.

Power cable replacement (type H05 RR-F 3 x 1.5 mm) must be carried out by a qualified electrician. Contact an authorized service centre.

If the hood is fitted with an electric plug, connect the plug to a socket complying with current regulations, located in an accessible place. If no plug is fitted (direct wiring to the mains), or if the socket is not located in an accessible place, install a standardised double pole power switch that will enable complete isolation from the mains in case of category III overvoltage conditions, in accordance with installation rules.

GENERAL RECOMMENDATIONS

Before use

Remove cardboard protection pieces, protective film and adhesive labels from accessories.

Check the appliance for any transport damage.


During use

To avoid any damage do not place any weights on the appliance.


Do not expose the appliance to atmospheric agents.

SAFEGUARDING THE ENVIRONMENT

Disposal of packing

The packing material is 100% recyclable and is marked with the recycle symbol (). The various parts of the packing must therefore be disposed of responsibly and in full compliance with local authority regulations governing waste disposal.

Scrapping the product

- This appliance is marked in compliance with European Directive 2002/96/EC, Waste Electrical and Electronic Equipment (WEEE).
- By ensuring this product is disposed of correctly, you will help prevent potential negative consequences for the environment and human health, which could otherwise be caused by inappropriate waste handling of this product.
- The symbol  on the product or on the accompanying documentation indicates that it should not be treated as domestic waste but must be taken to an appropriate collection centre for the recycling of electrical and electronic equipment.

TROUBLESHOOTING GUIDE

The appliance does not work:

- Check for the presence of mains electrical power and if the appliance is connected to the electrical supply.
- Turn off the appliance and restart it to see if the fault persists.

The hood's suction level is not sufficient:

- Check the suction speed and adjust as necessary;
- Check that the filters are clean;
- Check the air vents for any obstructions;

The light does not work:

- Check the light bulb and replace if necessary;
- Check that the light bulb has been correctly fitted;

AFTER-SALES SERVICE

Before calling the After-Sales Service:

1. See if you can solve the problem yourself with the help of the suggestions given in the "Troubleshooting guide".
2. Switch the appliance off and back on again it to see if the fault persists.

If after the above checks the fault still occurs, get in touch with the nearest After-sales Service.

Always specify:

- a brief description of the fault;
- the exact type and model of the appliance;
- the service number (number after the word Service on the rating plate), located on the inside of the appliance. The service number is also indicated on the guarantee booklet;
- your full address;
- your telephone number.

SERVICE 0000 000 00000



If any repairs are required, please contact an authorised After-sales Service (to guarantee that original spare parts will be used and repairs carried out correctly).

CLEANING

- ! WARNING**
- Never use steam cleaning equipment.
 - Disconnect the appliance from the power supply.

IMPORTANT: do not use corrosive or abrasive detergents. If any of these products accidentally comes into contact with the appliance, clean immediately with a damp cloth.

- Clean the surfaces with a damp cloth. If it is very dirty, add a few drops of washing up detergent to the water. Finish off with a dry cloth.

IMPORTANT: do not use abrasive sponges or metallic scrapers or scourers. Over time, these can ruin the enamel surface.

- Use detergents specifically designed for cleaning the appliance and follow the manufacturer instructions.

IMPORTANT: clean the filters at least monthly to remove any oil or grease residuals.

MAINTENANCE

! IMPORTANT:

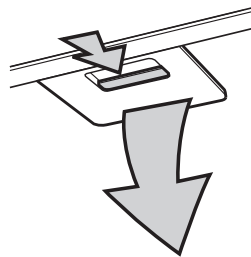
- Use protective gloves.
- disconnect the appliance from the mains power supply.

GREASE FILTERS

Metal grease filters have an unlimited life and should be cleaned once a month by hand or in a dishwasher at low temperature and with a short cycle. Cleaning in a dishwasher may cause discolouring of the grease filter, but its filtering efficiency is unaffected.

Pull out the handle to remove the filter.

Wash the filter and leave it to dry, proceeding in reverse order to refit it.

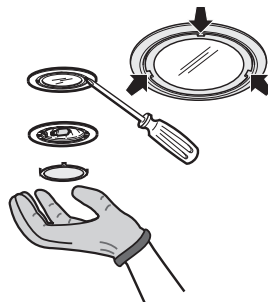


REPLACING HALOGEN LAMPS

! IMPORTANT:

- Only use 20W MAX - G4 halogen lamps.

1. Disconnect the hood from the household power supply.
2. Use a small screwdriver to gently prise (at the three points indicated) the lamp cover off.
3. Remove the burnt-out lamp and fit a new one.
4. Refit (snap-on) the lamp cover.



ACTIVATED CARBON FILTER

(filter hoods only):

The carbon filter must be cleaned once a month in a dishwasher at the highest temperature, using a normal dishwasher detergent. It is advisable to clean the filter separately.

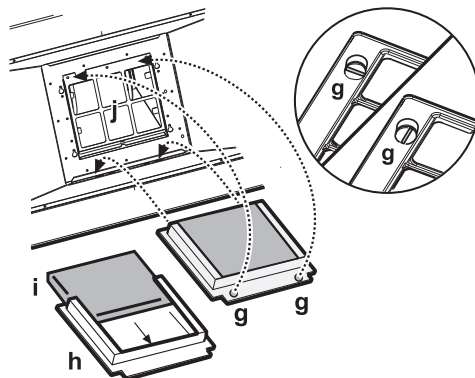
After cleaning, reactivate the carbon filter by drying it in the oven at 100°C for 10 minutes.

Change the carbon filter every 3 years.

Fitting the carbon filter:

1. Remove the grease filter.
2. Remove the filter holder, turning the knobs "g" 90°.
3. Fit the carbon filter "h" inside the filter holder "h".

Proceed in reverse order to refit the filter holder and grease filter.



MATERIAL SUPPLIED

Remove all the components from the packets. Check that all the components are included.

- Hood assembled with motor, lamps and grease filters installed.
- 1 pre-assembled truss
- 1 filter connector with extension
- Instructions for assembly and use
- 1 connection ring
- 1 electrical cable
- 1 cable clamp
- 1 assembly template
- 6 screws Ø 6x70
- 6 wall plugs Ø 10x60
- 14 screws Ø 4x7
- 14 cage nuts
- 46 screws Ø 3.5x9.5
- 4 screws 3x9

INSTALLATION - PRELIMINARY ASSEMBLY INSTRUCTIONS

The hood is designed for installation and use in "Extractor version" or in "Filter version".

Note: The model with electric shutter can only be used in "Extractor version" and the exhaust pipe must be connected to a peripheral extraction unit.

Extractor Version

Fumes are extracted and expelled to the outside through an exhaust pipe (not supplied) fixed to the hood exhaust pipe connector.

Depending on the exhaust pipe purchased, provide for suitable fixing to the exhaust pipe connector.

IMPORTANT: If already installed, remove the carbon filter/s.

Filter Version

Air is filtered through the carbon filter/s and recycled into the surrounding environment.

IMPORTANT: check that air recirculation is facilitated.

If the hood does not have a carbon filter/s, order one/them and fit it/them before use.

Install the hood away from very dirty locations, windows, doors and sources of heat.

The hood comes supplied with all the materials required for installation on most walls/ceilings. However, a qualified technician is needed to make sure that the plugs are suitable for your ceiling.

INSTALLATION - ASSEMBLY INSTRUCTIONS

The instructions below, to be carried out in the order in which they are numbered, refer to the figures (with the same step numbers) given on the last pages of this manual.

- 1. IMPORTANT:** Work out the exact position where the hood is to be installed:
R1 = Middle of installation point and opening for the exhaust pipe.
FRONT = The side at the front of the hood.
LFT: left side of the hood.
RHT: right side of the hood.

N.B.: the same wording appears on numerous drawings to make it easier to understand the assembly instructions.
- Place the template on the ceiling, taking into account the above-mentioned reference points and making sure the arrows stamped on the template correspond with the front part of the hood (**FRONT**). Drill the number of holes of diameter as indicated.

Insert the wall plugs provided.
- Half-tighten the screws as indicated (at corners), as these will be needed to fix the truss to the hood.

For Extractor Version only: Make an opening in the ceiling for the exhaust pipe.
- Take out and set aside the screws securing the top bracket and the truss sections.
- 5. IMPORTANT:** Adjust the extension of the truss, bearing in mind the following mathematical formula:
$$H \text{ (cm)} = (X - Y - M) + 10.5$$

H = Extension of truss to be calculated
X = Distance from ceiling to hob.
Y = Minimum distance from the hob to burners on hob (65cm gas hobs, 50cm electric hobs).
M = Height of motor unit from hood.
- Fix the two sections of the truss using the screws as illustrated.
- 7. For Extractor Version only:** fit an exhaust pipe to extract fumes and carry them to the outside.
This pipe must exit through the ceiling at a height as indicated in the drawing.

N.B.: **H** = Calculated truss extension (see assembly sequence 5)
N.B.: the exhaust pipe is not included in the packaging.
- Remove the adhesive tape holding the control electronics box to the motor body.

N.B.: the figure is indicative only, the box may be temporarily fixed to other sides of the motor body.
- Fix the collar to the exhaust opening.
- Lift the box as shown.
- Fully tighten the screws fixing the box to the motor body.

N.B.: there are two types of box, either front or rear-fixing. Follow the instructions in the figures (11a or 11b) depending on the model you have purchased).
- Slide the power supply cable into its housing (12a or 12b)
- Secure the cable with a cable clamp.

IMPORTANT: It is essential to carry out this operation. in order to avoid accidental disconnection of the cable.
- Fix the truss to the hood using the screws as shown.
- 15. IMPORTANT:** Attach the hood to the ceiling and fully tighten the screws.
- 16. IMPORTANT:** Insert and tighten 2 screws (1 on each side) - these are OBLIGATORY safety anchors.
- Fix the exhaust pipe to the connecting ring.

N.B.: the anchor band is not included in the packaging.

Carry out the electrical connection to the mains power supply.
- 18. For Filter Version only:** Attach the deflector.

N.B.: the deflector comes in 3 pieces and must be assembled to size.
- Depending on the resultant truss size, you can decide if the top reinforcing bracket that was previously removed is needed, assembling with the screws provided.

N.B.: If the minimum extension was used, the bracket won't be necessary.

N.B.: We recommend placing the bracket at equal distances from the ceiling and the lower bracket welded to the truss.

20. Fit the cage nuts provided inside the top section of the flues.
21. Assemble the upper sections of the flue covering the truss.
22. Secure the two parts with the screws as shown.
23. Attach the upper section of the flue to the truss secured to the ceiling.
24. Fit the cage nuts provided inside the lower section of the flue, through the square slots.

N.B.: this section should preferably be installed on the lower side.

25. Assemble the lower sections of the flue covering the truss.
26. Secure the two parts using the screws as shown.
27. Fit the flues in their seat over the hood and completely covering it .
28. Remove the grease filter/s.
29. Secure the lower sections of the flues from inside the hood, using the screws as shown.
30. **For Filter Version only:** Fit the carbon filter

N.B.: Some models may already have a carbon filter (installed and supplied with the appliance); if not, it must be ordered separately.

31. Fit the lower tabs (hook fitting).
32. Fit the upper tabs (press fitting).

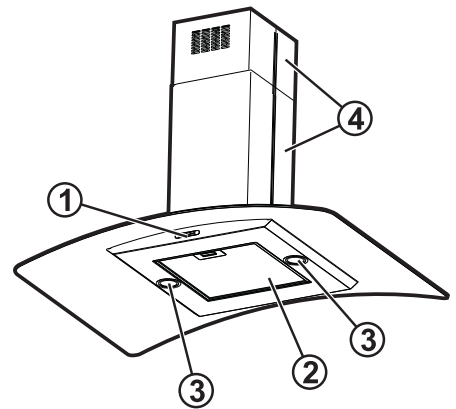
N.B.: The upper tabs should be cut to size.

33. Install the filter(s) / fill grease.

Check for correct hood operation, referring to the section describing the hood and how to use it.

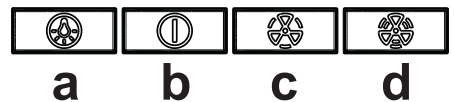
DESCRIPTION AND USE OF HOOD

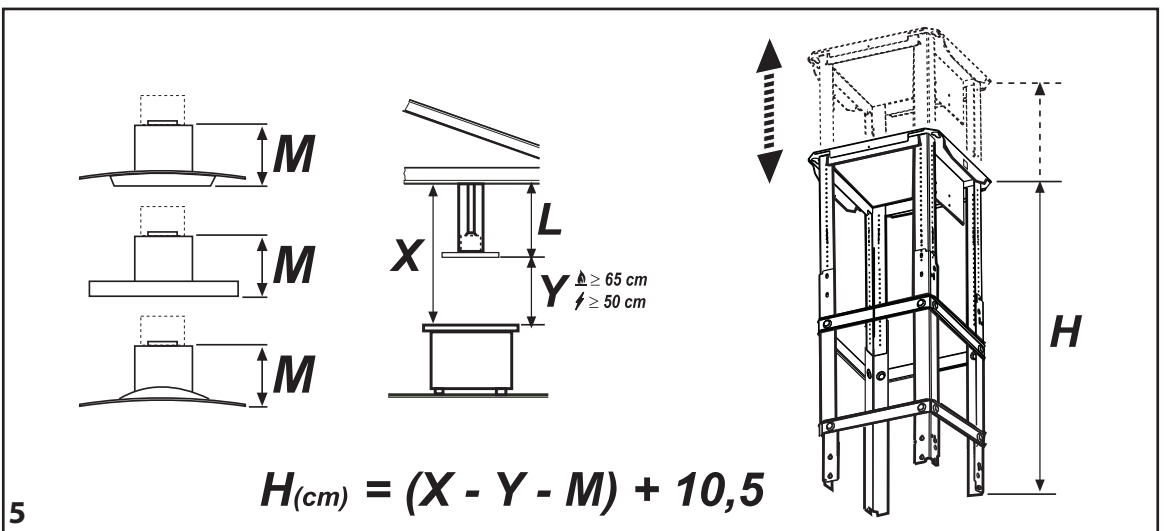
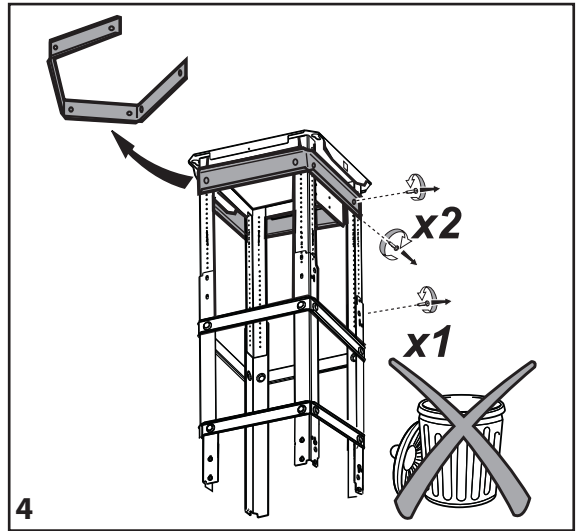
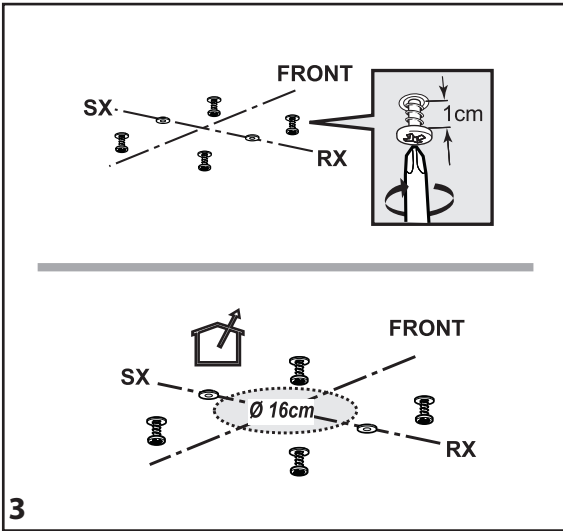
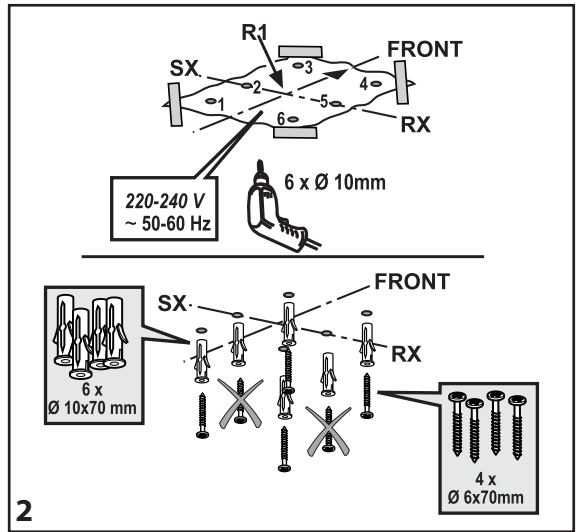
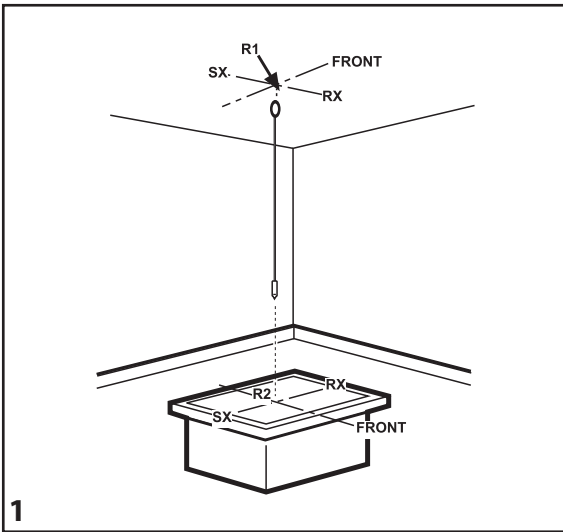
1. Control panel.
2. Grease filters.
3. Halogen lamps.
4. Telescopic flue.

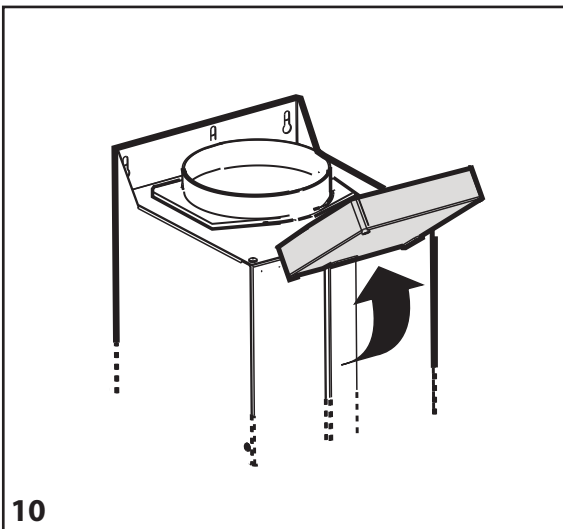
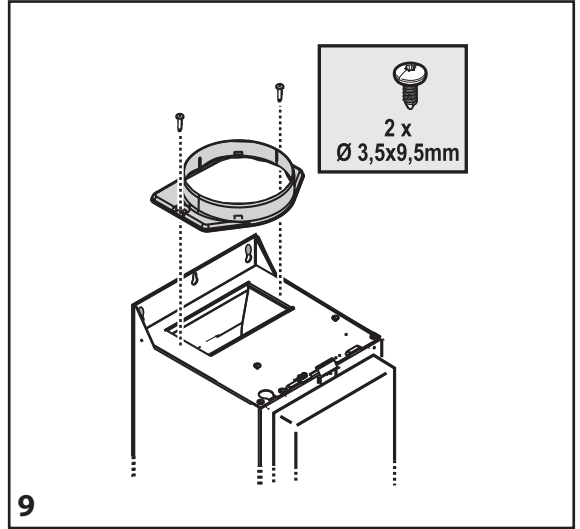
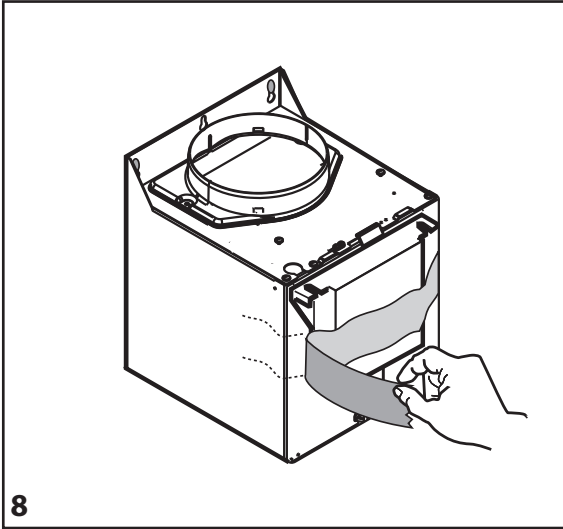
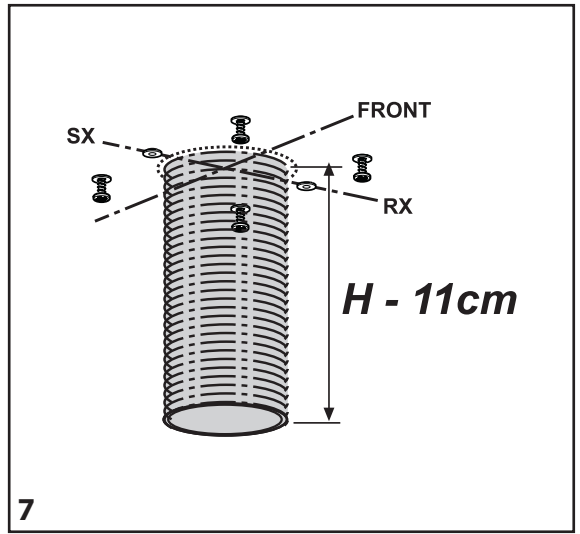
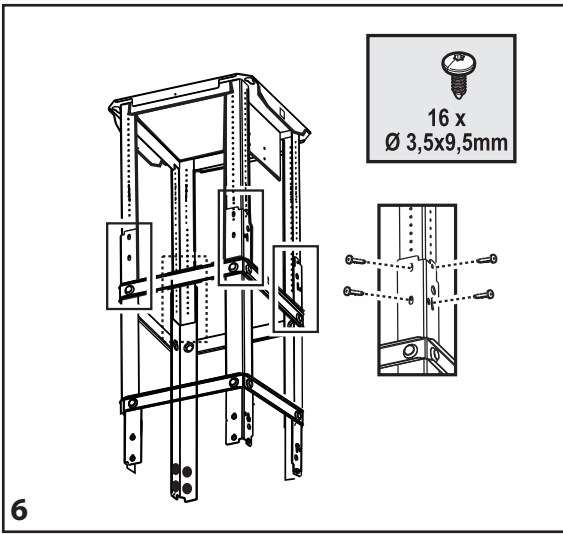


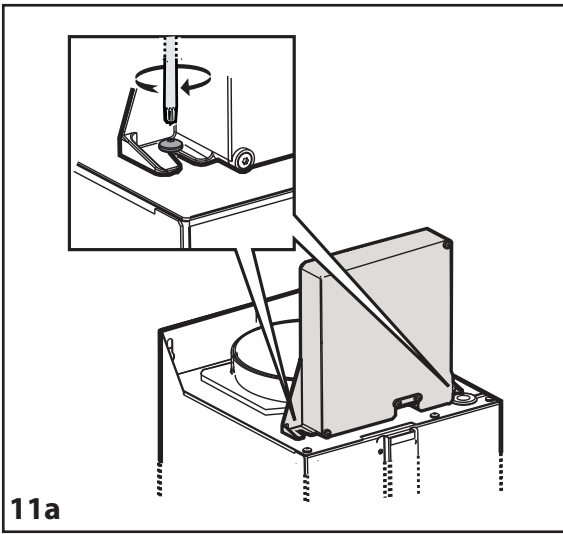
Control panel

- a. Light ON/OFF switch
- b. Motor ON/OFF and minimum speed (extraction power) selection button
- c. Medium speed (extraction power) selection button
- d. Maximum speed (extraction power) selection button

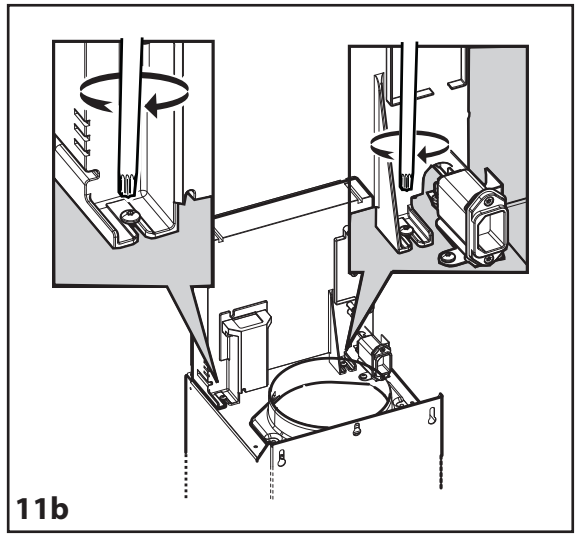




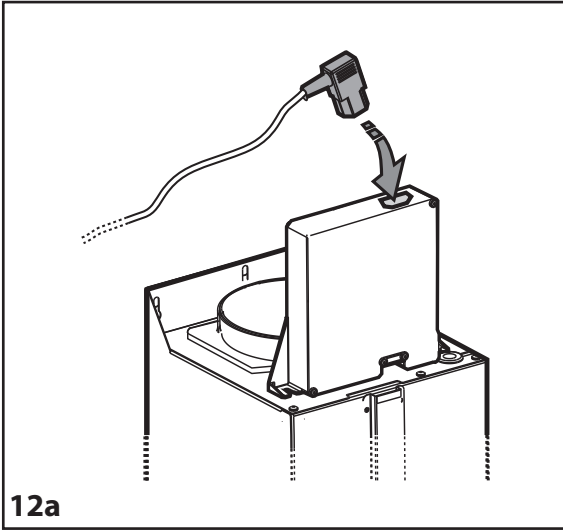




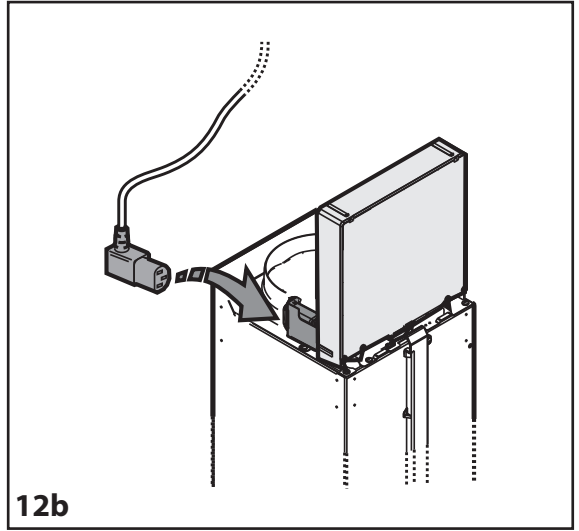
11a



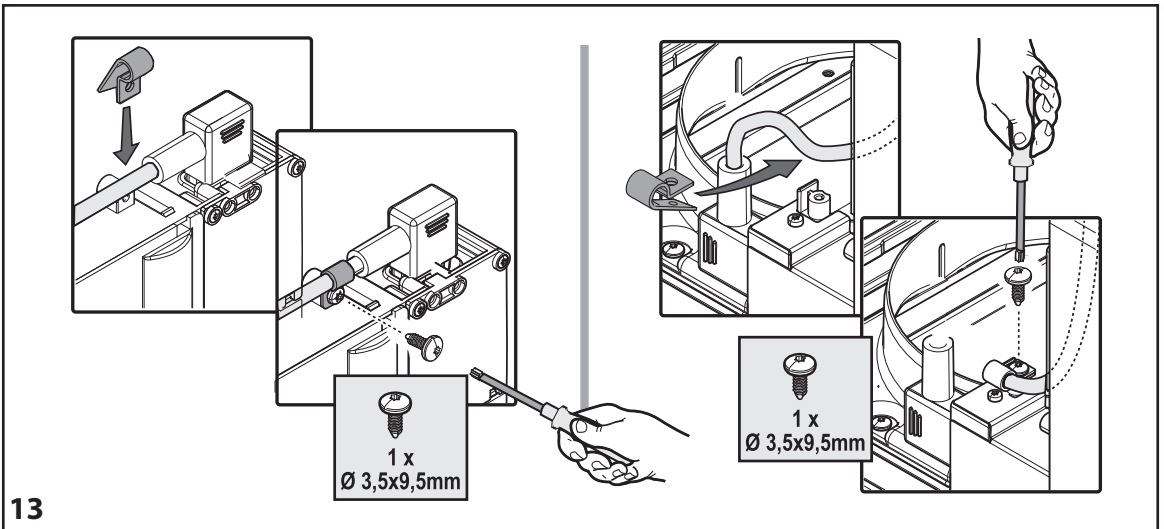
11b



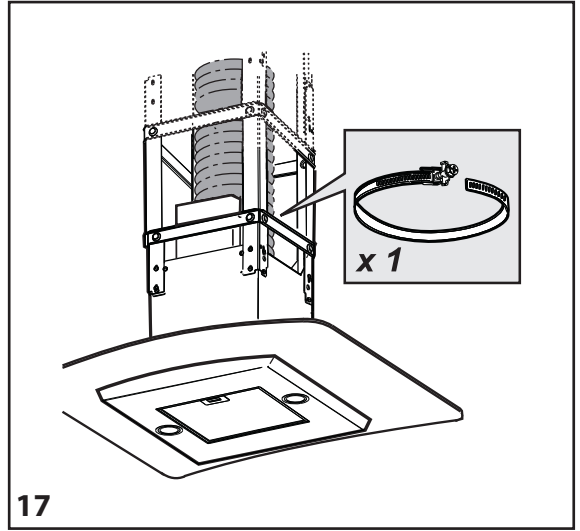
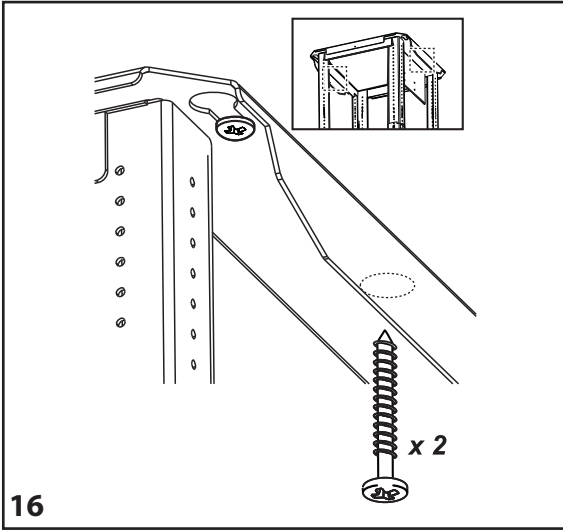
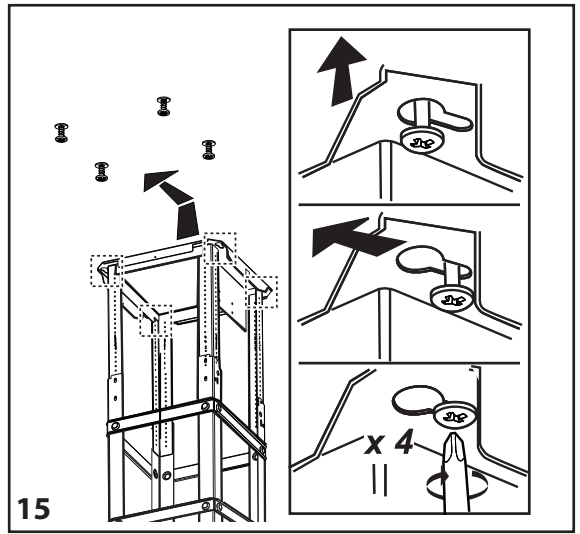
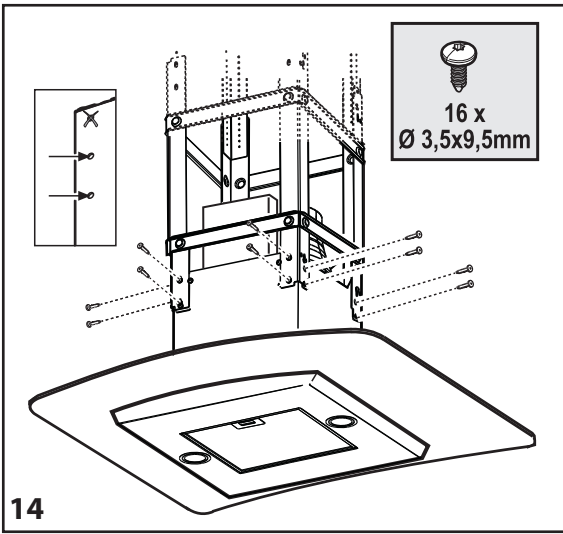
12a

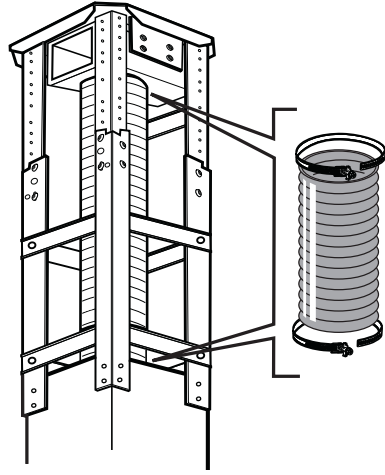
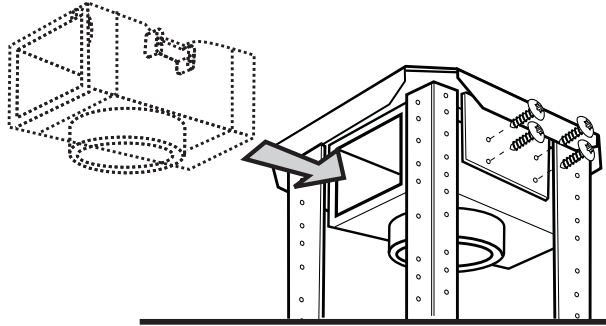
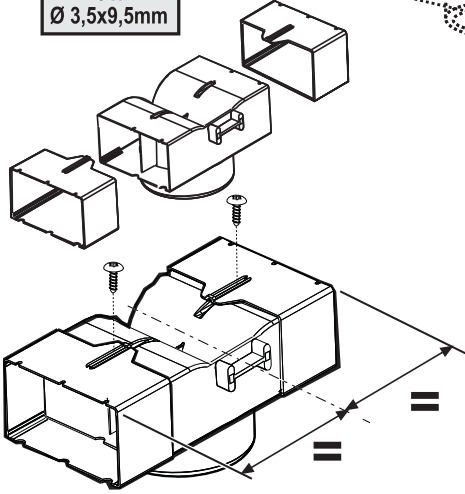


12b

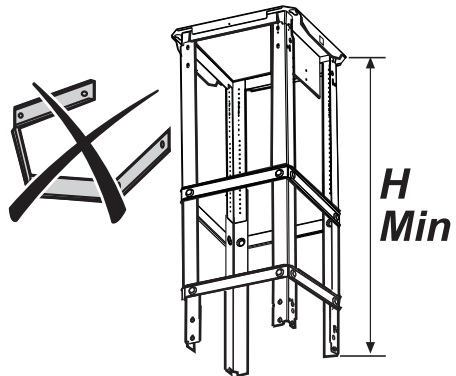
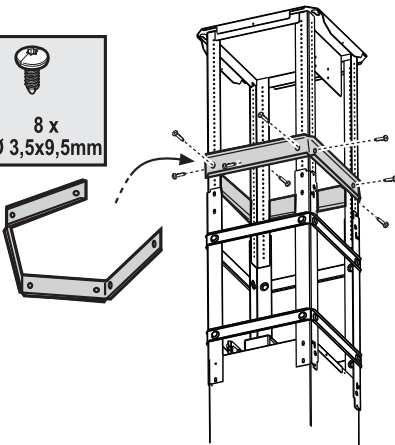


13





18



19

