

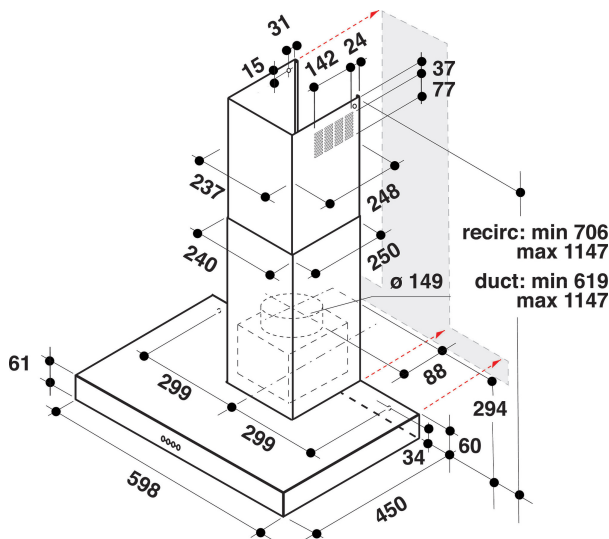
# AKR 558/2 IX

12NC: 857855801500

GTIN (EAN) code: 8003437215407

Whirlpool

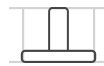
SENSING THE DIFFERENCE



- Maximum noise level 61 dBA
- Noise Level (min. - max.): 44-61 dBA
- Air Flow (min. - max.): 185, 368 m<sup>3</sup>/h
- Maximum extraction rate: 368 (m<sup>3</sup>/h)
- Energy class E
- Extraction / Recirculation Rate 430 / 321 m<sup>3</sup>/h
- 3 speed settings
- 2 Halogen, 56 W lamps
- 1 x 120 W motor
- Mechanical Buttons
- 2 Washable aluminium filters
- Grease Filtering Efficiency Class: E
- Lighting Efficiency Class: G
- Fluid Dynamic Efficiency Class: F
- Operating Mode: Air extraction, Recirculating air
- Inox Finishing
- 1 Motor

## Whirlpool wall mounted cooker hood - AKR 558/2 IX

This Whirlpool wall mounted Cooker Hood features: dishwasher-safe, washable aluminium grease filters. An outstanding cooker extractor fan, ensuring a fresh, grease-free cooking environment. Less than 60cm wide appliance. New design ensuring extra silent performance.



### Flexible Installation

Flexible installation options. This Whirlpool Hood can be operated in either Ducted or Recirculated mode (filter needed), so you can enjoy complete freedom when designing your kitchen.



### Mechanical control

Effortless control. This Whirlpool Hood includes an analogue control interface designed for simplicity and ease-of-use.



### Halogen Lamps

Halogen lamps generate 3 times more light than normal lamps, so you can always see what's cooking.



### 3 Speeds

Versatile performance. This Whirlpool Hood offers 3 speed options, giving you complete control over the extraction rate.



### Super Silent

Silent efficiency. This Whirlpool Hood is designed to operate at low noise-levels, so you can enjoy some extra peace and quiet.



### Wall-mounted installation

Wall-mounted installation. This wall-mounted Whirlpool Hood is a breeze to install.



### Total annual energy consumption

Ideal performance, outstanding savings. Whirlpool Hoods are designed to provide exceptional results, while reducing energy costs.



### 2 lights

Perfect lighting. This Whirlpool Hood features two integrated lights, providing ideal illumination, so you'll always be able to see what's cooking.



### Energy class E

This is an Energy Class E appliance.

# AKR 558/2 IX

12NC: 857855801500

GTIN (EAN) code: 8003437215407

Whirlpool

SENSING THE DIFFERENCE

## MAIN FEATURES

Product group	Hood
Colour body	Inox
Material body	Stainless steel
Colour chimney	Inox
Material chimney	Stainless steel
Typology	Wall-mounted
Installation type	Wall-mounted
Type of control	Mechanical
Type of control settings	-
Decor panel options	N/A
Motor location	Integrated motor in hood chimney
Operating Mode	Convertible
Electrical connection rating (W)	176
Current (A)	0,8
Voltage (V)	220-240
Frequency (Hz)	50/60
Length of Electrical Supply Cord (cm)	150
Plug type	Europlug
Chimney height (mm)	640
Height of product, without chimney (mm)	60
Height of the product	1090
Width of the product	598
Depth of the product	450
Minimum niche height	0
Minimum niche width	0
Niche depth	0
Net weight (kg)	11.9

## TECHNICAL FEATURES

Type of manual control devices	Buttons
Type of automatic control devices	-
Number of motors	1
Total power of the motors (W)	120
Number of speed settings: boost option availability	3
Boost presence	No
Maximum output air extraction (m <sup>3</sup> /h)	433
Boost position air extraction (m <sup>3</sup> /h)	0
Maximum output recirculating air (m <sup>3</sup> /h)	321
Boost position output recirculating (m <sup>3</sup> /h)	0
Light Control Type	On/Off
Number of lights	2
Type of lamps used	Halogen
Total power of the lamps (W)	56
Diameter of air outlet (mm)	150
No-return airflow flap	No
Grease filter material	Washable aluminium
Odour filter	No

## PERFORMANCES

Sound power at min. speed (2010/30/EU)	44
Sound power at max. speed (2010/30/EU)	61
Noise level with boost position (dB(A) re 1 pW)	0

