

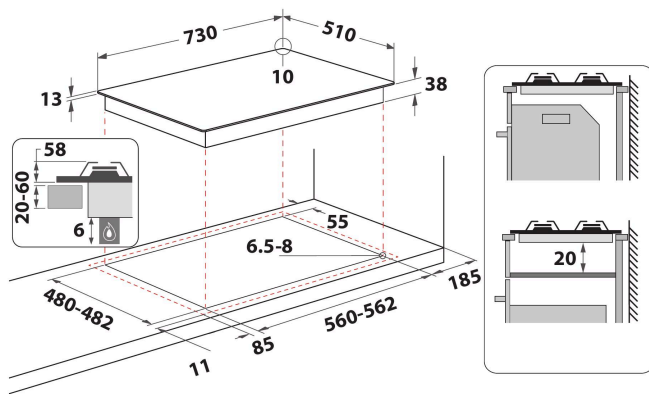
TKRL 761 IX K

12NC: 859991661100

GTIN (EAN) code: 8003437939600

Whirlpool

SENSING THE DIFFERENCE



- Cast Iron Pan Supports
- Electromagnetic safety device for each burner
- Silver painted body/Inox cap knobs
- 3 Rectangular (kitchen design) Cast Iron grids
- Front controls
- 75 cm hob
- Ignition type: knob
- 5 Burners
- 5 burners: 1 Semirapid 1650 W burner, 1 Semirapid 1650 W burner, 1 Rapid 3000 W burner, 1 Auxiliary 1000 W burner, and 1 MINI WOK 3500 W burner.
- Supply cord included
- Dimensions HxWxD: 58x730x510 mm
- Niche dimensions HxWxD: 60x562x480 mm
- Voltage: 220-240 V
- Gas Connection Rating: 10800 W
- Gas Type: Methane

Whirlpool gas hob: 5 gas burners - TKRL 761 IX K

Standard Whirlpool technologies and features for you to enjoy.



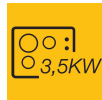
MultiLevel Flame

9 flame levels for different cooking methods. Always get the ideal flame for your cooking methods, to achieve perfect cooking results effortlessly.



Dishwashable Grids

Keep your hob clean easily and safely thanks to the dishwasher safe grids.



Power Burner 3500W

3.5kW burner. Enjoy tastier results, faster. Seal your meat to perfection, boil water faster or enjoy a perfect stir-fry dishes with the outstanding Power Burner 3.500W.



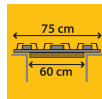
Speed to Boil

Enjoy faster boiling. Our innovative technology, by effectively harnessing the energy of the flames, ensures more heat is delivered directly to your pots and pans allowing you to enjoy ideal cooking results, sooner.



Cast Iron Supports

Cast Iron pan supports for that professional look and maximum stability in use.



EasyReplace

Install in the 60cm worktop cut-out a 75cm Hob. Maximum versatility in your kitchen



Power Burner 5gas (PB)

Power cooking. This Whirlpool Hob features 5 Power burners to provide extra heat and speed up boiling, frying and steaming, while ensuring maximum energy efficiency.



Front Controls

Complete control over your cooking. Easily accessible and genuinely intuitive, the controls are conveniently positioned on the front panel of your hob, providing a frictionless cooking experience.



Stainless Steel

For the stylish modern look in your kitchen.

TKRL 761 IX K

12NC: 859991661100

GTIN (EAN) code: 8003437939600

Whirlpool

SENSING THE DIFFERENCE

MAIN FEATURES

Product group	Hob
Construction type	Built-in
Type of control	N/A
Type of control settings	N/A
Number of gas burners	5
Number of electric cooking zones	0
Number of electric plates	0
Number of radiant plates	0
Number of halogen plates	0
Number of induction plates	0
Number of electric warming zones	0
Location of control panel	Front
Basic surface material	Inox
Main colour of product	Inox
Electrical connection rating (W)	0
Gas connection rating (W)	10800
Gas type	Methane
Current (A)	0,2
Voltage (V)	220-240
Frequency (Hz)	50/60
Length of Electrical Supply Cord (cm)	100
Plug type	No
Gas connection	N/A
Width of the product	730
Height of the product	58
Depth of the product	510
Minimum niche height	20
Minimum niche width	560
Niche depth	480
Net weight (kg)	12.9
Automatic programmes	No

TECHNICAL FEATURES

Power on indicator	No
Number of indicators	0
Type of regulation	Stepless energy regulated
Type of lid	Without
Residual heat indicator	Without
Main on/off switch	No
Safety device	Yes
Timer	No

PERFORMANCES

Energy input	Gas
--------------	-----