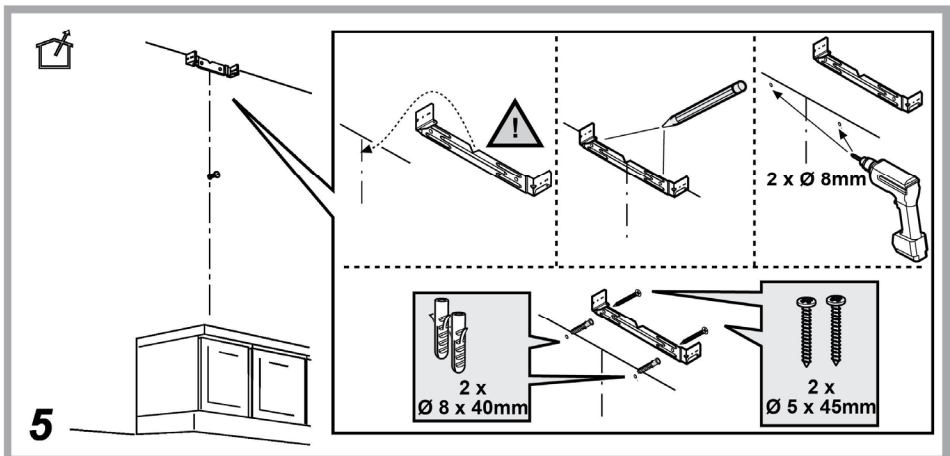
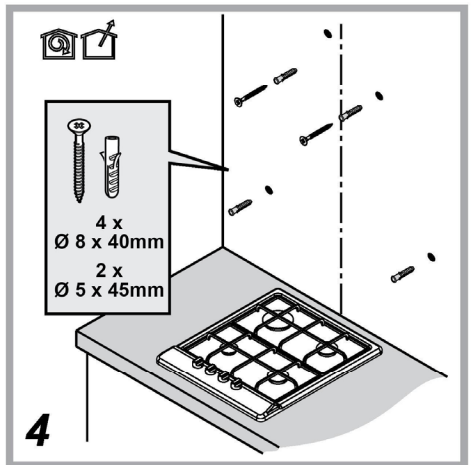
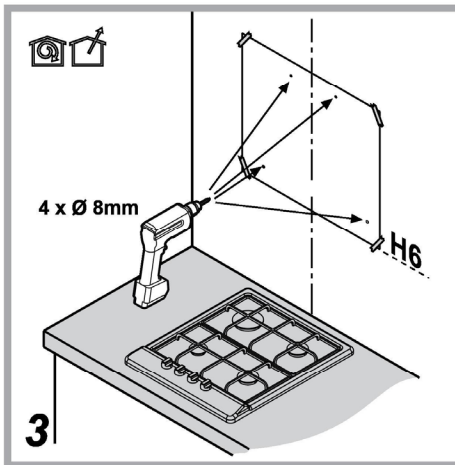
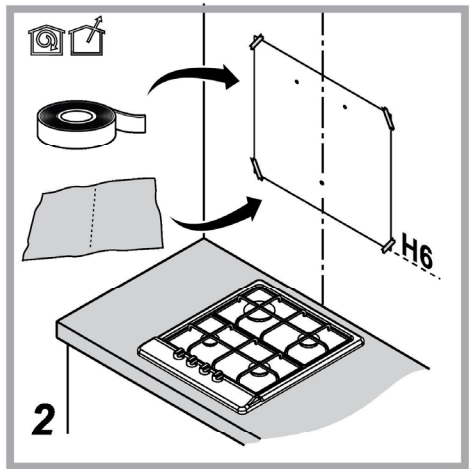
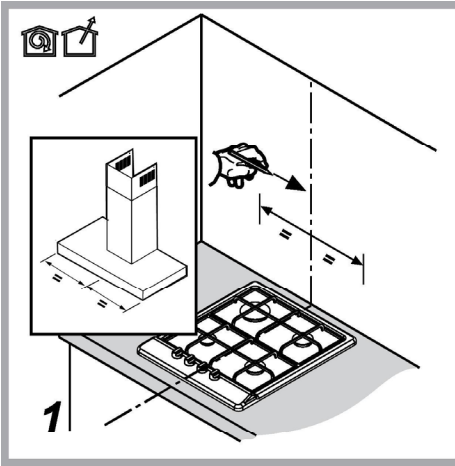
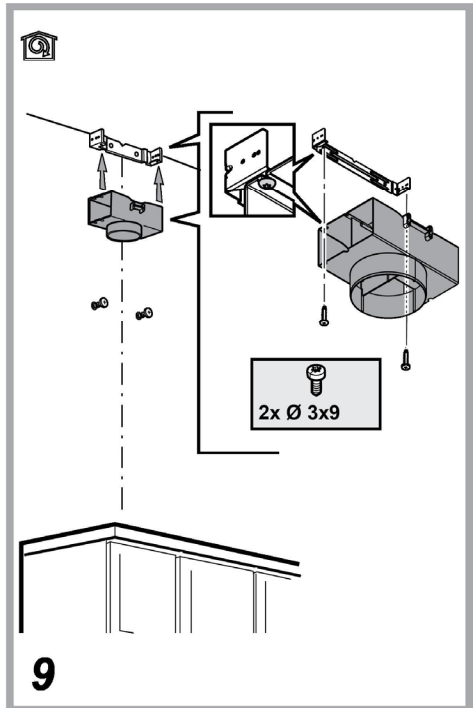
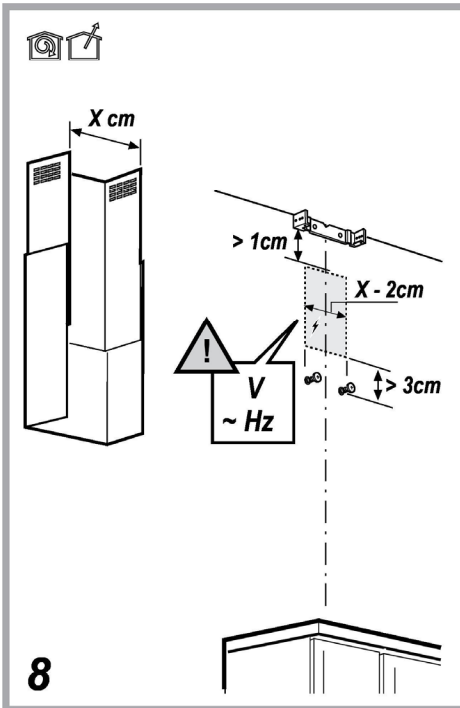
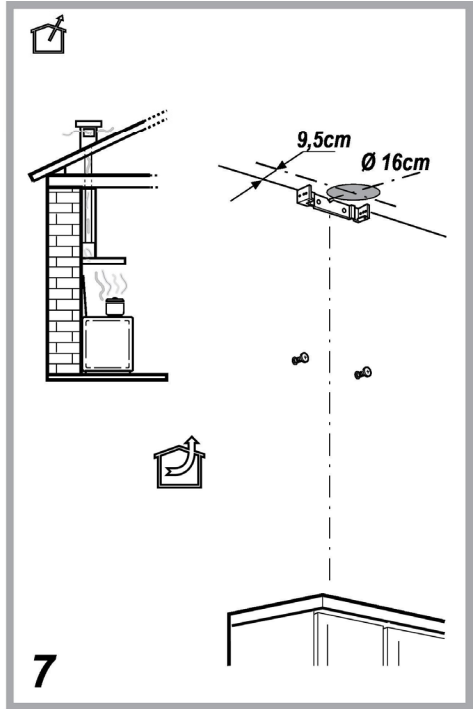
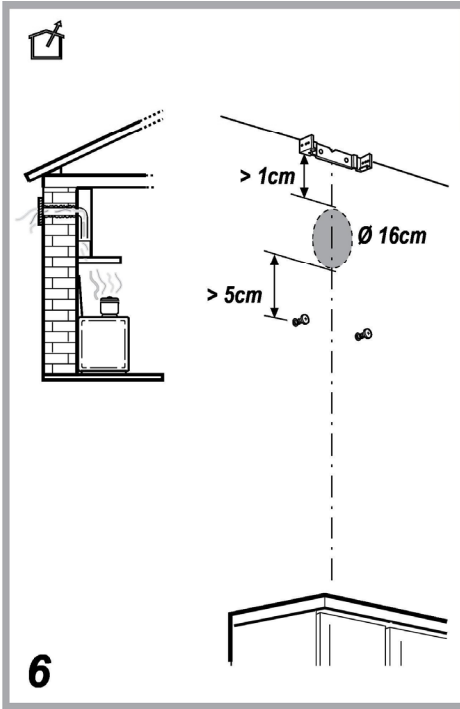
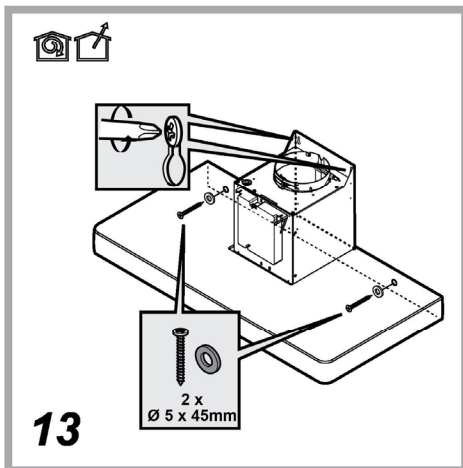
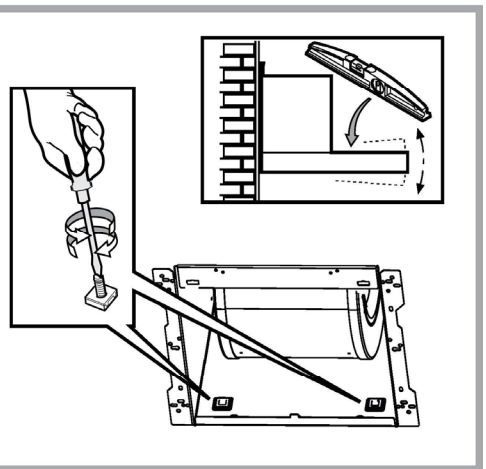
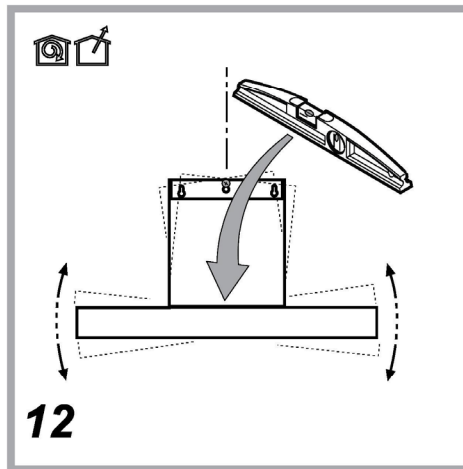
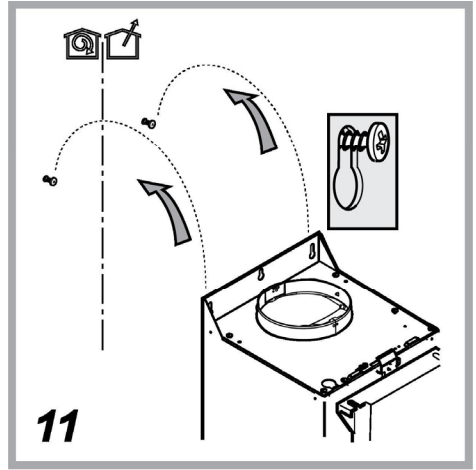
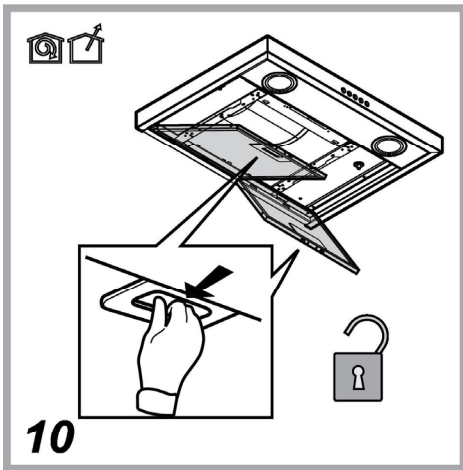


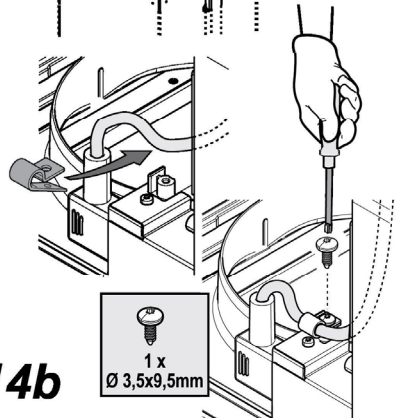
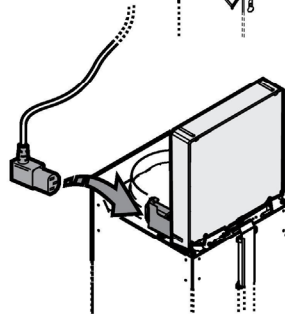
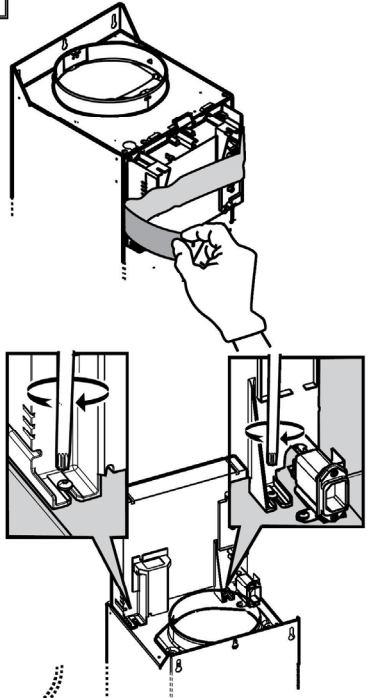
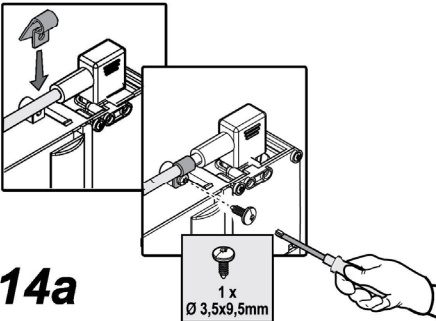
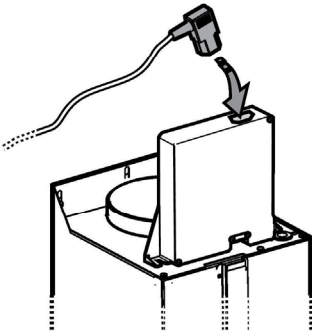
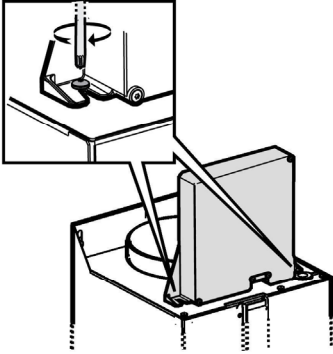
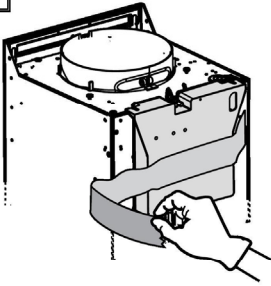
EN Instructions for use
DE Betriebsanleitung
FR Mode d'emploi
NL Gebruiksaanwijzingen
IT Istruzioni per l'uso
ES Instrucciones de uso
PT Instruções de uso
BG Ръководство за употреба
CS Návod k použití
DA Brugsanvisning
FI Käyttöohje
EL Οδηγίες χρήσης
HU Használati útmutató
NO Brugsanvisning
PL Instrukcja obsługi
RO Informații pentru utilizator
RU Инструкция по эксплуатации
SK Návod na používanie
SV Bruksanvisning
UK Інструкції з використання
AR طرق الاستعمال

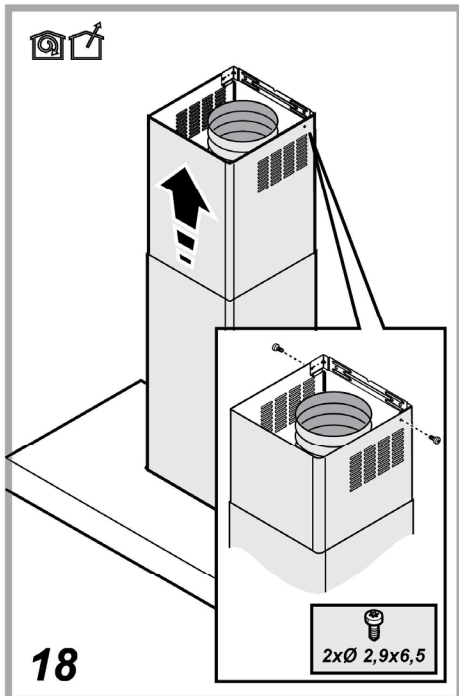
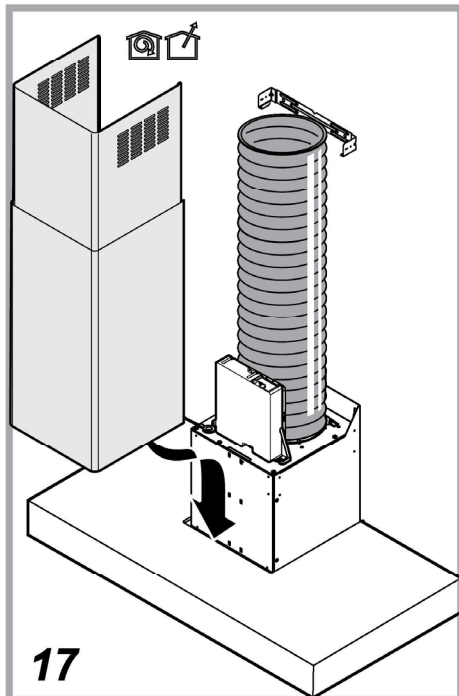
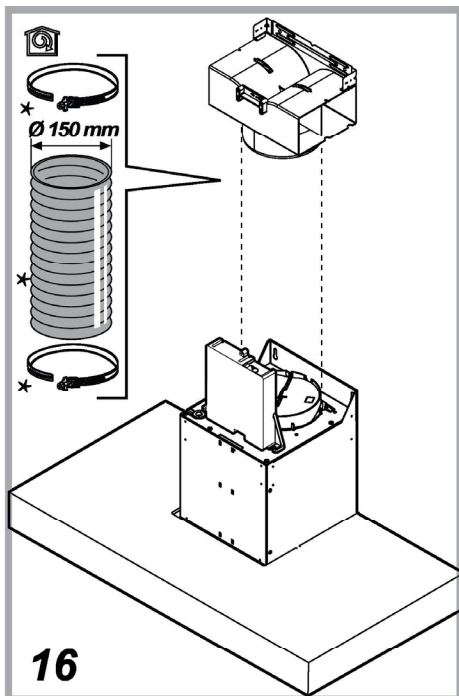
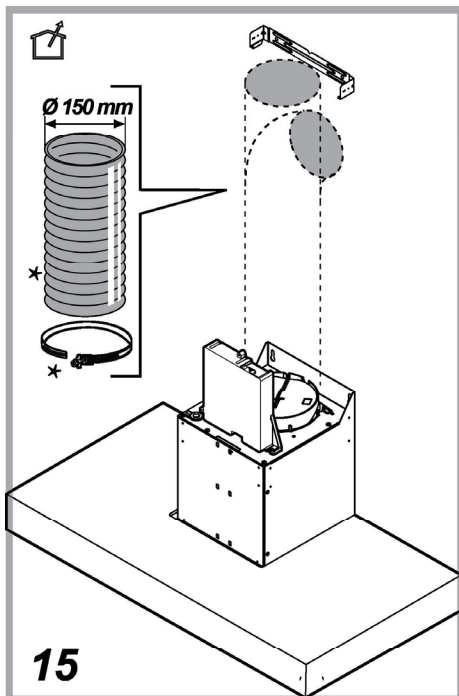
Whirlpool

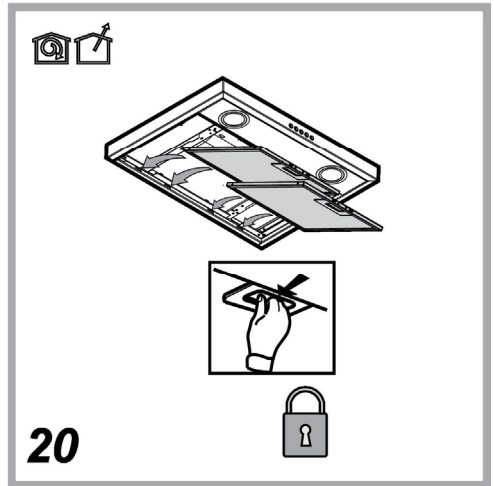
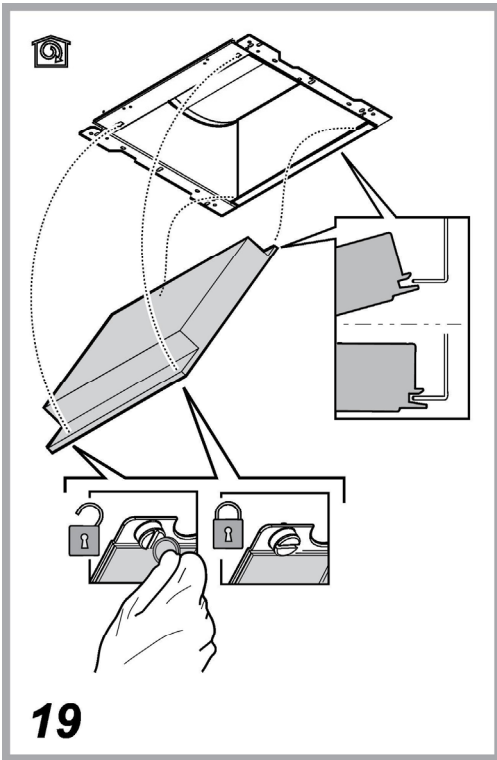












GENERAL SAFETY

- Before any cleaning or maintenance operation, disconnect hood from the mains by removing the plug or disconnecting the mains electrical supply.
- Always wear work gloves for all installation and maintenance operations.
- This appliance can be used by children aged from 8 years and above and persons with reduced physical, sensory or mental capabilities or lack of experience and knowledge if they have been given supervision or instruction concerning use of the appliance in a safe way and understand the hazards involved.
- Children shall not be allowed to tamper with the controls or play with the appliance.
- Cleaning and user maintenance shall not be made by children without supervision.
- The premises where the appliance is installed must be sufficiently ventilated, when the kitchen hood is used together with other gas combustion devices or other fuels.
- The hood must be regularly cleaned on both the inside and outside (AT LEAST ONCE A MONTH).
- This must be completed in accordance with the maintenance instructions provided. Failure to follow the instructions provided regarding the cleaning of the hood and filters will lead to the risk of fires.
- Do not flambé under the range hood.
- Do not remove filters during cooking.
- For lamp replacement use only lamp type indicated in the Maintenance/Replacing lamps section of this manual.

The use of exposed flames is detrimental to the filters and may cause a fire risk, and must therefore be avoided in all circumstances.

Any frying must be done with care in order to make sure that the oil does not overheat and ignite.

CAUTION: Accessible parts of the hood may become hot when used with cooking appliances.

- Do not connect the appliance to the mains until the installation is fully complete.
- With regards to the technical and safety measures to be adopted for fume discharging it is important to closely follow the regulations provided by the local authorities.
- The air must not be discharged into a flue that is used for exhausting fumes from appliance burning gas or other fuels.
- Do not use or leave the hood without the lamp correctly mounted due to the possible risk of electric shocks.
- Never use the hood without effectively mounted grids.
- The hood must NEVER be used as a support surface unless specifically indicated.
- Use only the fixing screws supplied with the product for installation or, if not supplied, purchase the correct screws type.
- Use the correct length for the screws which are identified in the Installation Guide.
- In case of doubt, consult an authorized service assistance center or similar qualified person.

▲ WARNING!

- Failure to install the screws or fixing device in accordance with these instructions may result in electrical hazards.
- Do not use with a programmer, timer, separate remote control system or any other device that switches on automatically.

Very young children(0-3years)should be kept away from the appliance.Young children (3-8 years)should be kept away from the appliance unless continuously supervised.

▲ CAUTION:The appliance is not intended to be operated by means of an external switching device, such as a timer,or separate remote controlled system.

- ▲ This appliance is not for professional use. Do not use the appliance outdoors.
- ▲ The appliance must be handled and installed by two or more persons-risk of injury.
- ▲ Installation, including water supply (if any),electrical connections and repairs must be carried out by a qualified technician. Once installed,packaging waste (plastic,styrofoam parts etc.) must be stored out of reach of children – risk of suffocation. Do not use the appliance when you are wet or barefoot. Never use steam cleaning equipment – risk of electric shock.



The packaging material is 100% recyclable and is marked with the recycle symbol

The hood can look different to that illustrated in the drawings in this booklet. The instructions for use, maintenance and installation, however, remain the same.

Closely follow the instructions set out in this manual. All responsibility, for any eventual inconveniences, damages or fires caused by not complying with the instructions in this manual, is declined. This appliance is intended to be used in household and similar application such as: - staff kitchen areas in shop, offices and other working environments; - farm houses; - by clients in hotels, motels and other residential type environments; - bed and breakfast type environments.

- It is important to conserve this booklet for consultation at any moment. In the case of sale, cession or move, make sure it is together with the product.
- Read the instructions carefully: there is important information about installation, use and safety.
- Do not carry out electrical or mechanical variations on the product or on the discharge conduits.
- Before proceeding with the installation of the appliance verify that there are no damaged all components. Otherwise contact your dealer and do not proceed with the installation.

The minimum distance between the supporting surface for the cooking equipment on the hob and the lowest part of the range hood must be not less than 50cm from electric cookers and 65cm from gas or mixed cookers.

If the instructions for installation for the gas hob specify a greater distance, this must be adhered to.

ELECTRICAL CONNECTION

The mains power supply must correspond to the rating indicated on the plate situated inside the hood. If provided with a plug connect the hood to a socket in compliance with current regulations and positioned in an accessible area, after installation. If it not fitted with a plug (direct mains connection) or if the plug is not located in an accessible area, after installation, apply a double pole switch in accordance with standards which assures the complete disconnection of the mains under conditions relating to over-current category III, in accordance with installation instructions.

▲ WARNING!

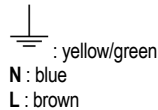
Before re-connecting the hood circuit to the mains supply and checking the efficient function, always check that the mains cable is correctly assembled.

If the cable is not fitted with a plug, connect the wires according to the following table:

Mains voltage and frequency

Refer to the rating indicated on the plate inside of the hood

Wire connection



Replacing the power cable

The hood is provided with a special power cable ; if the cable is damaged, request a new one from Technical Service.

AIR VENT

(for the suction versions)

Connect the hood and discharge holes on the walls with a diameter equivalent to the air outlet (connection flange).

Using the tubes and discharge holes on walls with smaller dimensions will cause a diminution of the suction performance and a drastic increase in noise.

Any responsibility in the matter is therefore declined.

- ! Use a duct of the minimum indispensable length.
- ! Use a duct with as few elbows as possible (maximum elbow angle: 90°).
- ! Avoid drastic changes in the duct cross-section.
- ! The company declines any responsibility whenever these regulations are not respected.

FILTERING OR DUCTING ?

! Your cooker hood is ready to be used in suction version.

To use the hood in filtering version the special ACCESSORY KIT must be installed.

Check on the first pages of this manual if the ACCESSORY KIT is furnished or must be bought separately.

Note: If furnished, in certain cases, the additional activated carbon filtering system may be installed on the hood.

Information about the conversion of the hood from suction version to filtering version is present in this manual.

Ducting version

In this case the fumes are conveyed outside of the building by means of a special pipe connected with the connection ring located on top of the hood.

CAUTION!

The exhausting pipe is not supplied and must be purchased apart.

Diameter of the exhausting pipe must be equal to that of the connection ring.

CAUTION!

If the hood is supplied with active charcoal filter, then it must be removed.

Filter version

The aspirated air will be degreased and deodorised before being fed back into the room.

In order to use the hood in this version, you have to install a system of additional filtering based on activated charcoal.

CONTROLS

The hood is fitted with a control panel with aspiration speed selection control and a light switch to control cooking area lights.



T1



T2



T3



T4

ZEN

T5



T6



Fan Motor / ON/OFF 1st speed



Fan Motor / ON/OFF 2nd speed



Fan Motor / ON/OFF 3rd speed



POWER BOOST™ ON/OFF Function (time-controlled)

Note: the hood will go back to running at the 3th speed, after five minutes.



Operation "ZEN Mode" ON/OFF Function

Note: This function makes it possible to activate an extraction speed with the perfect balance between quietness and extraction efficiency.

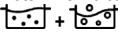


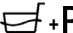
Main light ON/OFF

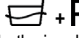
GREASE/CHARCOAL FILTER ALARM/RESET

At regular intervals, the hood signals the need to perform filter maintenance.

Note: The indicators will only work for 40secs after switching OFF Fan Motor speed.

 flashing: carry out maintenance of the grease filter.

 + **P** flashing: carry out maintenance of the charcoal filter.

Note: charcoal filter alarm is normally disabled, to enable: switch hood OFF then press and hold  + **P** for more than 3 secs, both signals lit for about 3secs to indicate charcoal filter alarm is enabled. Repeat operation to disable (both signals flashes for about 3 secs).

Resetting the filter saturation indicators

Press and hold for almost 3 secs signals while flashing.

MAINTENANCE

Cleaning

Clean using **ONLY** a cloth dampened with neutral liquid detergent. **DO NOT CLEAN WITH TOOLS OR INSTRUMENTS.** Do not use abrasive products. **DO NOT USE ALCOHOL!**

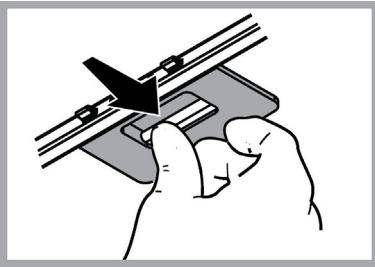
Maintenance of the anti-grease filters

Traps cooking grease particles.

This must be cleaned once a month (or when the filter saturation indication system – if envisaged on the model in possession – indicates this necessity) using non aggressive detergents, either by hand or in the dishwasher, which must be set to a low temperature and a short cycle.

When washed in a dishwasher, the grease filter may discolor slightly, but this does not affect its filtering capacity.

To remove the grease filter, pull the spring release handle.



Maintenance of the charcoal filter

It absorbs unpleasant odors caused by cooking.

The saturation of the charcoal filter occurs after more or less prolonged use, depending on the type of cooking and the regularity of cleaning of the grease filter.

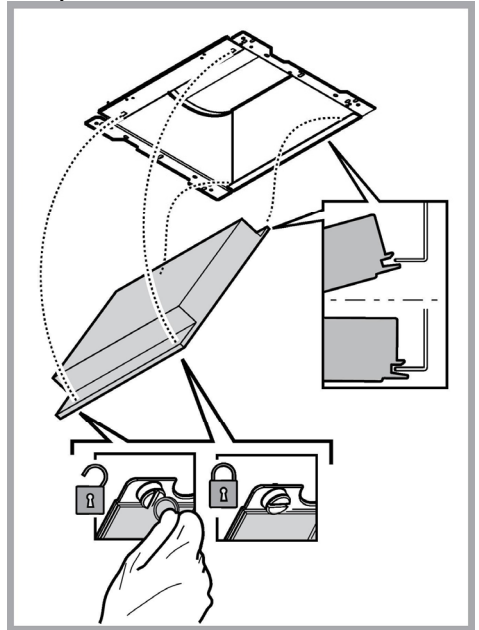
In any case it is necessary to replace the cartridge at least every four months (or when the filter saturation indication system – if envisaged on the model in possession – indicates this necessity). The charcoal filter may **NOT** be washed or regenerated.

Assembly

Hook the charcoal filter at the back on the metal tongue of the hood first, then on the front with the two knobs.

Disassembly

Remove the charcoal filter by turning the knobs fixing it to the hood by 90°.



Replacing lamps

The hood is equipped with a lighting system based on LED technology.


The LEDs guarantee an optimum lighting, a duration up to 10 times longer than the traditional lamps and allow to save 90% electrical energy.

To replace lights, contact authorised spare part center.

DISPOSAL

- This appliance is marked according to the European directive 2012/19/EC on Waste Electrical and Electronic Equipment (WEEE).
- By ensuring this product is disposed of correctly, you will help prevent potential negative consequences for the environment and human health, which could otherwise be caused by inappropriate waste handling of this product.



- The symbol  on the product, or on the documents accompanying the product, indicates that this appliance may not be treated as household waste. Instead it should be taken to the appropriate collection point for the recycling of electrical and electronic equipment. Disposal must be carried out in accordance with local environmental regulations for waste disposal.
- For further detailed information regarding the process, collection and recycling of this product, please contact the appropriate department of your local authorities or the local department for household waste or the shop where you purchased this product.

Appliance designed, tested and manufactured according to:

- Safety: EN/IEC 60335-1; EN/IEC 60335-2-31, EN/IEC 62233.
- Performance: EN/IEC 61591; ISO 5167-1; ISO 5167-3; ISO 5168; EN/IEC 60704-1; EN/IEC 60704-2-13; EN/IEC 60704-3; ISO 3741; EN 50564; IEC 62301.
- EMC: EN 55014-1; CISPR 14-1; EN 55014-2; CISPR 14-2; EN/IEC 61000-3-2; EN/IEC 61000-3-3. Suggestions for a correct use in order to reduce the environmental impact: Switch ON the hood at minimum speed when you start cooking and kept it running for few minutes after cooking is finished. Increase the speed only in case of large amount of smoke and vapor and use boost speed(s) only in extreme situations. Replace the charcoal filter(s) when necessary to maintain a good odor reduction efficiency. Clean the grease filter(s) when necessary to maintain a good grease filter efficiency. Use the maximum diameter of the ducting system indicated in this manual to optimize efficiency and minimize noise.





MALFUNCTIONS

If something appears not to be working properly, do the following simple checks before calling Technical Service:

- If the hood is not working:
Check that:
 - The power has not been disconnected.
 - A speed has been selected.
- If the hood performs inefficiently:
Check that:
 - The motor speed selected is sufficient for the amount of smoke and vapours released.
 - The kitchen is sufficiently ventilated to allow air intake.
 - The charcoal filter is not worn (hood in filtering version).
- If the hood has turned off during normal functioning:
Check that:
 - The power has not been disconnected.
 - the omnipolar disconnection device has not tripped.

If the hood fails to operate correctly, briefly disconnect it from the mains power supply for almost 5 sec. Then connect it in again and try once more before contacting the Technical Assistance Service.

TECHNICAL DATA

Height (cm)	Width (cm)	Depth (cm)	Ø of the exhaust tube (cm)
 61,9-114,7  70,6-114,7	89,8	45	15
 61,9-114,7  70,6-114,7	59,8	45	15

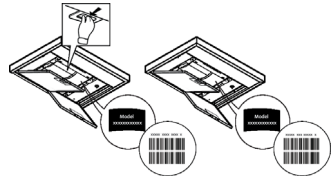


Components not provided with the product



You can download the Safety Instructions, User Manual, Product Fiche and Energy data by:

- Visiting our website docs.whirlpool.eu
- Using QR Code
- Alternatively, **contact our After-sales Service** (See phone number in the warranty booklet). When contacting our After-sales Service, please state the codes provided on your product's identification plate.



ALLGEMEINE SICHERHEIT

- Vor jeglicher Reinigung bzw. Wartung muss das Gerät vom Stromnetz getrennt werden, indem man den Stecker herauszieht bzw. den Hauptschalter ausschaltet.
 - Alle Installations- und Wartungsarbeiten sind mit Arbeitshandschuhen durchzuführen.
 - Das Gerät kann von Kindern ab 8 Jahren, sowie von Menschen mit verringerten physischen, sinnlichen oder psychischen Fähigkeiten (oder ohne Erfahrung und Kenntnisse) benutzt werden, sofern sie entsprechend überwacht werden bzw. in die Benutzung des Geräts sicher eingewiesen wurden und sich der damit verbundenen Gefahren bewusst sind.
 - Darauf achten, dass Kinder mit dem Gerät nicht spielen. Kinder dürfen bei Reinigung und Wartung nur dann helfen, wenn sie dabei beaufsichtigt werden.
 - Der Raum muss ausreichend belüftet sein, wenn die Dunstabzugshaube zusammen mit anderen Gas- bzw. Brennstoffgeräten verwendet wird.
 - Die Dunstabzugshaube muss regelmäßig von innen und außen gereinigt werden (MINDESTENS EINMAL IM MONAT), außerdem sollten die Anweisungen zur Wartung befolgt werden. Das nicht befolgen der Normen zur Reinigung der Dunstabzugshaube, das nicht befolgen der Hinweise zur Reinigung und zum Austausch von Filtern führt zu Brandgefahr.
 - Es ist streng verboten, Speisen auf Kochstellen mit offener Flamme unter der Dunstabzugshaube zu kochen.
 - Für den Lampenersatz verwenden Sie nur den Lampentyp, der in dem Absatz Lampenwartung / Ersatz des vorliegenden Handbuchs angegeben wird. Die Verwendung von offener Flamme schadet den Filtern und kann zu Brandgefahr führen, daher ist sie in jedem Fall zu vermeiden. Das Frittieren muss mit Vorsicht durchgeführt werden, um zu vermeiden, dass das überhitzte Öl Feuer fängt.
- ACHTUNG:** Ist das Kochfeld in Betrieb, können zugängliche Teile der Dunstabzugshaube heiß werden.
- Das Gerät nicht an das Stromnetz anschließen, bis die Installation vollständig abgeschlossen ist.

Für das Ableiten der Küchengerüche halten Sie sich an die Vorschriften der örtlichen Behörde.

- Bei gleichzeitigem Betrieb der Dunstabzugshaube im Abluftbetrieb und gas- oder brennstoffbetriebenen Geräten darf im Aufstellraum der Geräte der Unterdruck nicht größer als 4 Pa (4×10^{-5} bar) sein.
- Die Abluft darf nicht in einen Kamin geleitet werden, der zugleich Abgase von der Verbrennung von Gas oder anderen Brennstoffen führt.
- Benutzen Sie die Haube nicht ohne korrekt montierte Lampen, um Stromschlaggefahr zu vermeiden.
- Die Dunstabzugshaube niemals ohne richtig installiertes Gitter verwenden!
- Die Dunstabzugshaube darf NIEMALS als Auflagefläche verwendet werden, sofern es nicht ausdrücklich angegeben ist.
- Verwenden Sie nur die mit dem Produkt für die Installation mitgelieferten Schrauben, oder, falls nicht im Lieferumfang enthalten, kaufen Sie den richtigen Schraubentyp.
- Die Länge für die Schrauben verwenden, die im Installationshandbuch angegeben wird.
- Im Zweifelsfall, fragen Sie Ihren autorisierten Kundendienst oder ein ähnliches Fachpersonal.

ACHTUNG!

- Schrauben und Befestigungselemente, die nicht in Übereinstimmung mit diesen Hinweisen sind, können zur elektrischen Gefährdung führen.
- Nicht mit einem externen Timer, einer Schaltuhr oder einer Fernbedienung oder jeglicher anderer Vorrichtung, die sich automatisch

aktiviert, verwenden.

Halten Sie Kinder unter 3 Jahren fern vom Gerät. Ohne die ständige Aufsicht eines Erwachsenen Kinder unter 8 Jahren nicht in Reichweite des Geräts lassen.

⚠ ACHTUNG: Das Gerät darf nicht über ein externes Gerät oder mit einer Fernbedienung in Betrieb gesetzt werden.

⚠ Dieses Gerät ist nicht für den professionellen Gebrauch. Das Gerät nicht im Freien benutzen.

⚠ Um Verletzungen zu vermeiden, muss das Gerät von zwei oder mehreren Personen bewegt und installiert werden.

⚠ Die Installation, die auch Anschlüsse an das Wasserversorgungsnetz (wenn vorgesehen) und an das Stromnetz beinhaltet, und Reparaturen müssen von Fachpersonal ausgeführt werden.

Nach abgeschlossener Installation das Verpackungsmaterial (Plastik, Polystyrol usw.) außerhalb der Reichweite von Kindern aufbewahren, um Erstickungsgefahr zu vermeiden. .

Das Gerät nicht benutzen, wenn man nass oder barfuß ist.

Das Gerät niemals mit Dampf reinigen - Stromschlaggefahr.



Das Verpackungsmaterial ist 100% recycelbar und mit dem Recycling-Zeichen gekennzeichnet

Die Dunstabzugshaube kann anders aussehen als auf den Abbildungen in der vorliegenden Bedienungsanleitung. Die Bedienungsanleitungen, die Wartung und die Installation sind aber gleich.

Die Anweisungen, die in diesem Handbuch gegeben werden, müssen strikt eingehalten werden. Es wird keinerlei Haftung übernommen für mögliche Mängel, Schäden oder Brände der Dunstabzugshaube, die auf die Nichtbeachtung der Vorschriften in diesem Handbuch zurückzuführen sind. Die Dunstabzugshaube wurde für die Absaugung der beim Kochen entstehenden Dünste und Dämpfe entwickelt. Sie ist nur für den Hausgebrauch geeignet.

- Die Bedienungsanleitung muss aufbewahrt werden, damit jederzeit ein Nachschlagen möglich ist. Bei Verkauf, Abtretung oder Umzug muss die Bedienungsanleitung immer beim Produkt bleiben.
- Die Bedienungsanleitung muss aufmerksam gelesen werden, da sie wichtige Informationen über Installation, Gebrauch und Sicherheit enthält.
- Es dürfen keine elektrischen oder mechanischen Änderungen am Gerät oder an den Abluftleitungen vorgenommen werden.
- Vergewissern Sie sich vor der Installation, dass das Gerät keine Transportschäden aufweist. Bei auftretenden Problemen setzen Sie sich bitte mit Ihrem Händler in Verbindung.

Der Abstand zwischen der Abstellfläche auf dem Kochfeld und der Unterseite der Dunstabzugshaube darf 50 cm im Fall von elektrischen Kochfeldern und 65 cm im Fall von Gas- oder kombinierten Herden nicht unterschreiten.

Wenn die Installationsanweisungen des Gaskochgeräts einen größeren Abstand vorgeben, ist dieser zu berücksichtigen.

ELEKTRISCHER ANSCHLUSS

Die Netzspannung muss der Spannung entsprechen, die auf dem Typenschild im Innern der Haube angegeben ist. Sofern die Haube einen Netzstecker hat, ist dieser an zugänglicher Stelle an eine den geltenden Vorschriften entsprechende Steckdose nach der Montage anzuschließen. Bei einer Haube ohne Stecker (direkter Netzanschluss) oder falls der Stecker nicht zugänglich ist, ist ein normgerechter zweipoliger Schalter nach der Montage anzubringen, der unter Umständen der Überspannung Kategorie III entsprechend den Installationsregeln ein vollständiges Trennen vom Netz garantiert.

⚠ HINWEIS!

Vor der Inbetriebnahme muss sichergestellt werden, dass die Netzversorgungsleitung (Steckdose) ordnungsgemäß montiert wurde.

Wenn das Kabel keinen Stecker hat, die Drähte entsprechend der folgenden Tabelle verbinden:

Netzspannung und Frequenz

Lesen Sie den Wert auf dem Aufkleber mit den Geräteeigenschaften auf der Innenseite der Kappe.

Verdrahtung



:gelb/grün

N : Blau

L : Braun

Austausch des Netzkabels

Die Dunstabzugshaube ist mit einem Spezialkabel ausgestattet. Sollte das Kabel beschädigt werden, muss beim Kundendienst Ersatz angefordert werden.

ABLEITUNG DER ABLUFT

(bei Abluftversionen)

Die Dunstabzugshaube an Abluftrohre und Abluftöffnungen in der Wand anschließen, die den gleichen Durchmesser haben wie der Abluftstutzen (Anschlussflansch).

Die Benutzung von Rohren und Abluftöffnungen mit geringerem Durchmesser verursacht eine Verringerung der Abluftleistung und eine drastische Zunahme der Geräuschentwicklung.

Bei Nichtbeachtung der Anweisungen übernimmt der Hersteller keine Haftung.

- ! Ein möglichst kurzes Rohr verwenden.
- ! Ein Rohrsystem mit einer möglichst geringen Anzahl von Krümmungen verwenden (max. Winkel der Krümmung: 90°).
- ! Starke Änderungen des Rohrdurchmessers sind zu vermeiden.
- ! Jegliche Verantwortung wird von der Firma abgelehnt, sollten diese Normen nicht respektiert werden.

UMLUFT- ODER ABLUFTBETRIEB ?

! Ihre Haube wird als Abzugshaube geliefert.

Um die Abzugshaube in der Umluftversion verwenden zu können, braucht der AKTIVKOHLE-FILTERSYSTEM installiert zu werden.

Stellen Sie in den ersten Seiten dieser Gebrauchsanleitung fest, ob das AKTIVKOHLE-FILTERSYSTEM mitgeliefert oder separat erhältlich ist.

Anmerkung: Wenn das Aktivkohle-Filterssystem mitgeliefert wird, kann es schon in der Haube installiert worden sein.

Die Informationen über den Umbau der Abzugshaube in Umluftshaube sind in dieser Gebrauchsanleitung enthalten.

Abluftbetrieb

Die Luft wird mit Hilfe eines Rohrs ins Freie geleitet, das am Abluftstutzen angebracht wird.

HINWEIS!

Das Abluftrohr wird nicht mitgeliefert und muss separat erworben werden.

Das Abluftrohr muss den gleichen Durchmesser wie der Abluftstutzen aufweisen.

HINWEIS!

Sollte die Dunstabzugshaube mit Aktivkohlefilter versehen sein, so muss dieser entfernt werden.

Umluftbetrieb

Die angesaugte Luft wird zuvor entfettet und desodoriert werden, bevor sie wieder in den Raum zugeführt wird.

Um die Abzugshaube in dieser Version zu verwenden, müssen Sie ein zusätzliches Filtersystem, welches auf Aktivkohle basiert, installieren.

BEDIENELEMENTE

Die Dunstabzugshaube ist mit einer Bedienungsblende ausgestattet, die mit einer Steuerung für die Ansaugstärke bzw. -geschwindigkeit, sowie einer Steuerung zur Einstellung der Arbeitsplatzbeleuchtung versehen ist.



T1



T2



T3

P

T4

ZEN

T5



T6



Lüftermotor / EIN/AUS 1. Geschwindigkeitsstufe



Lüftermotor / EIN/AUS 2. Geschwindigkeitsstufe



Lüftermotor / EIN/AUS 3. Geschwindigkeitsstufe

P

“POWER BOOST“ EIN/AUS Funktion (zeitgesteuert)

Hinweis: Die Dunstabzugshaube kehrt nach fünf Minuten zur 3. Geschwindigkeitsstufe zurück.

ZEN Vorgang “ZEN-Modus“ EIN/AUS Funktion

Hinweis: Diese Funktion ermöglicht es, eine Absauggeschwindigkeit mit dem perfekten Ausgleich zwischen Stille und Absaugleistung zu aktivieren.



Haupt-Kontrollleuchte EIN/AUS

FETT/AKTIVKOHLEFILTER ALARM/RÜCKSETZEN


In regelmäßigen Abständen zeigt die Dunstabzugshaube an, dass eine Wartung des Filters durchgeführt werden muss.

Hinweis: Die Anzeigen sind nur für 40 Sekunden nach dem Ausschalten der Lüftermotorgeschwindigkeit aktiv.

 +  blinken: Die Wartung des Fettfilters durchführen.

 + **P** blinken: die Wartung des Aktivkohlefilters durchführen.

Hinweis: Aktivkohlefilter Alarm ist normalerweise deaktiviert. Um ihn zu aktivieren, wie folgt vorgehen: Die Dunstabzugshaube Ausschalten,

dann  + **P** drücken und für länger als 3 Sekunden gedrückt halten, beide Signale leuchten für ungefähr 3 Sekunden auf, um anzuzeigen, dass der Aktivkohlefilter Alarm aktiviert ist. Zur Deaktivierung den Vorgang wiederholen (beide Signale blinken ungefähr 3 Sekunden lang).

Die Filtersättigungsanzeigen zurücksetzen

Signale drücken und für fast 3 Sekunden lang gedrückt halten, während sie blinken.

WARTUNG

Reinigung

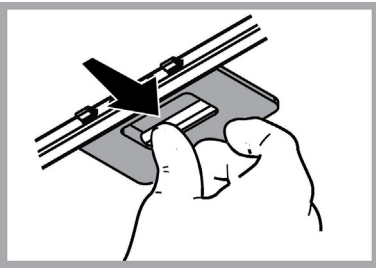
Zur Reinigung **AUSSCHLIESSLICH** ein mit flüssigem Neutralreiniger getränktes Tuch verwenden. **KEINE WERKZEUGE ODER GERÄTE FÜR DIE REINIGUNG VERWENDEN!** Keine Produkte verwenden, die Scheuermittel enthalten. **KEINEN ALKOHOL VERWENDEN!**

Wartung der Fettfilter

Diese dienen dazu, die Fettpartikel, die beim Kochen frei werden, zu binden.

Dieser muss einmal monatlich gewaschen werden (oder wenn das Sättigungsanzeigesystem der Filter – sofern bei dem jeweiligen Modell vorgesehen – dies anzeigt). Das kann mit einem milden Waschmittel von Hand, oder in der Spülmaschine bei niedriger Temperatur und einem Kurzspülgang erfolgen. Der Metallfettfilter kann bei der Reinigung in der Spülmaschine verfärben, was seine Filtermerkmale jedoch in keiner Weise beeinträchtigt.

Zwecks Demontage der Fettfilter den Aushakgriff ziehen.



Wartung des Aktivkohlefilters

Dieser Filter bindet die unangenehmen Gerüche, die beim Kochen entstehen.

Je nach der Benutzungsdauer des Herdes und der Häufigkeit der Reinigung des Fettfilters tritt nach einer mehr oder weniger langen Benutzungsdauer die Sättigung des Aktivkohlefilters auf. Auf jeden Fall muß der Filtereinsatz mindestens alle 4 Monate (oder wenn das Sättigungsanzeigesystem der Filter – sofern bei dem jeweiligen Modell vorgesehen – diese Notwendigkeit anzeigt) ausgewechselt werden.

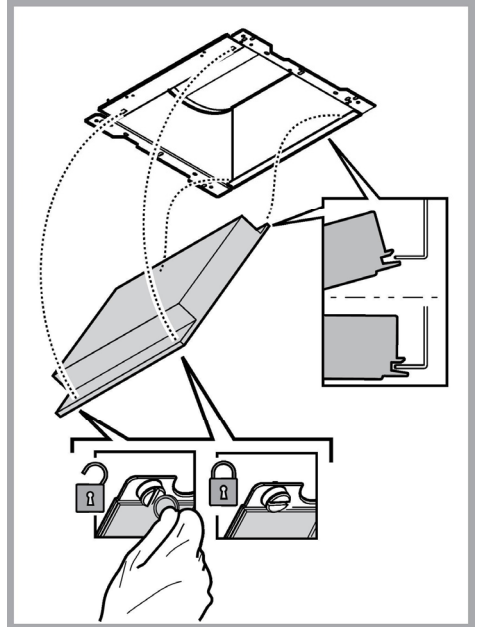
Er kann NICHT gereinigt oder erneut aktiviert werden.

Montage

Den Aktivkohlefilter zuerst von hinten auf der metallischen Feder der Saugkappe anhängen, dann von vorne mit den zwei Knöpfen.

Demontage

Den Aktivkohlefilter entnehmen, in dem man die Knöpfe, die an der Saugkappe fixiert sind, auf 90° dreht.



Ersetzen der Lampen

Die Haube ist mit einem auf der Leuchtdiodentechnologie basierten Beleuchtungssystem ausgestattet.

Die LEDs ermöglichen eine optimale Beleuchtung der Kochfläche. Sie haben eine Leistungsdauer, die das Zehnfache derer der traditionellen Lichter ist und bieten eine Energieersparnis bis zu 90%.


Für den Wechsel der Lampen kontaktieren Sie das zuständige Zentrum für den Austausch.

ENTSORGUNG

In Übereinstimmung mit den Anforderungen der Europäischen Richtlinie 2012/19/EC über Elektro- und Elektronik-Altgeräte (WEEE) ist vorliegendes Gerät mit einer Kennzeichnung versehen.

Sie leisten einen positiven Beitrag für den Schutz der Umwelt und die Gesundheit des Menschen, wenn Sie dieses Gerät einer gesonderten Abfallsammlung zuführen. Im unsortierten Siedlungsmüll könnte ein solches Gerät durch unsachgemäße Entsorgung negative Konsequenzen nach sich ziehen.



Auf dem Produkt oder der beiliegenden Produktdokumentation ist folgendes Symbol  einer durchgestrichenen Abfalltonne abgebildet. Es weist darauf hin, dass eine Entsorgung im normalen Haushaltsabfall nicht zulässig ist. Entsorgen Sie dieses Produkt im Recyclinghof mit einer getrennten Sammlung für Elektro- und Elektronikgeräte. Die Entsorgung muss gemäß den örtlichen Bestimmungen zur Abfallbeseitigung erfolgen.

Bitte wenden Sie sich an die zuständigen Behörden Ihrer Gemeindeverwaltung, an den lokalen Recyclinghof für Haushaltsmüll oder an den Händler, bei dem Sie dieses Gerät erworben haben, um weitere Informationen über Behandlung, Verwertung und Wiederverwendung dieses Produkts zu erhalten.

Gerät entwickelt, getestet und hergestellt nach:

•Sicherheit: EN/IEC 60335-1; EN/IEC 60335-2-31, EN/IEC 62233.

•Leistungsfähigkeit/Gebrauchstauglichkeit: EN/IEC 61591; ISO 5167-1; ISO 5167-3; ISO 5168; EN/IEC 60704-1; EN/IEC 60704-2-13; EN/IEC 60704-3; ISO 3741; EN 50564; IEC 62301.

•EMC: EN 55014-1; CISPR 14-1; EN 55014-2; CISPR 14-2; EN/IEC 61000-3-2; EN/IEC 61000-3-3. Empfehlungen für eine korrekte Verwendung, um die Umweltbelastung zu verringern: Schalten Sie die Haube beim Kochbeginn bei kleinster Geschwindigkeit EIN und lassen Sie die Haube einige Minuten nachlaufen, wenn Sie mit dem Kochen fertig sind. Erhöhen Sie die Geschwindigkeit nur bei großen Mengen von Kochdunst und Dampf und benutzen Sie die Intensivstufe(n) nur bei extremen Situationen. Wechseln Sie die Kohlefilter, wenn notwendig, um eine gute Geruchsreduzierung zu gewährleisten. Säubern Sie die Fettfilter, wenn notwendig, um eine gute Fettfiltereffizienz zu gewährleisten. Verwenden Sie den in der Gebrauchsanweisung angegebenen größten Durchmesser des Luftaustrittssystems, um die Leistungsfähigkeit zu optimieren und die Geräuschentwicklung zu minimieren.





BETRIEBSSTÖRUNGEN

Wenn etwas nicht zu funktionieren scheint, folgende Kontrollen durchführen, bevor der Kundendienst gerufen wird:

- Wenn die Abzugshaube nicht funktioniert:
Prüfen, ob:
 - ein Stromausfall vorliegt.
 - eine Geschwindigkeit gewählt wurde.
- Wenn die Leistung der Abzugshaube mangelhaft ist:
Prüfen, ob:
 - die gewählte Motorgeschwindigkeit für die freigesetzte Menge an Rauch und Dämpfen ausreicht.
 - die Küche ausreichend belüftet ist, um eine Luftansaugung zuzulassen.
 - der Kohlefilter verbraucht ist (bei Umluftversion).
- Wenn sich die Haube im Laufe des normalen Betriebs selbst ausgeschaltet hat.
Prüfen, ob:
 - ein Stromausfall vorliegt.
 - die allpolige Trennvorrichtung ausgelöst wurde.

Die Dunstabzugshaube oder die Bedienelemente funktionieren nicht: Für mindestens 5 Sekunden die Stromversorgung der Dunstabzugshaube unterbrechen und dann die Haube erneut einschalten. Kann die Störung nicht behoben werden, kontaktieren Sie bitte den Kundendienst.

TECHNISCHE DATEN

Höhe (cm)	Breite (cm)	Tiefe (cm)	Ø des Abflutrohrs (cm)
 61,9-114,7	89,8	45	15
 70,6-114,7			
 61,9-114,7	59,8	45	15
 70,6-114,7			



Teile, die nicht zum Lieferumfang des Produkts gehören



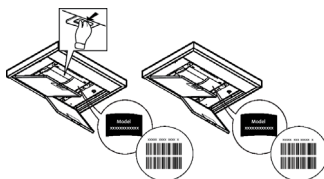
Sie können die **Sicherheitshinweise, Bedienungsanleitung, Technischen Daten und Energiedaten** wie folgt herunterladen:

• Besuchen Sie unsere Internetseite

docs.whirlpool.eu

• Verwenden Sie den QR-Code

• Alternativ können Sie **unserer Kundendienst kontaktieren** (Siehe Telefonnummer in dem Garantieheft). Wird unser Kundendienst kontaktiert, bitte die Codes auf dem Typenschild des Produkts angeben.



SÉCURITÉ GÉNÉRALE

- Avant tout entretien ou nettoyage du produit débranchez l'alimentation électrique en retirant la fiche électrique ou en coupant l'interrupteur général.
- Utilisez des gants de travail pour toute opération de nettoyage ou d'entretien.
- Cet appareil peut être utilisé par des enfants âgés d'au moins 8 ans et par des personnes ayant des capacités physiques, sensorielles ou mentales réduites ou dénuées d'expériences ou de connaissances, sauf si ces personnes sont correctement surveillées ou si des instructions relatives à l'utilisation correcte de l'appareil permettant d'éviter tout danger leur ont été communiquées.
- Les enfants ne doivent pas jouer avec l'appareil.
- Le nettoyage et l'entretien par l'utilisateur ne doivent pas être effectués par des enfants sans surveillance.
- La pièce doit avoir une aération suffisante lorsque la hotte est utilisée conjointement avec d'autres appareils fonctionnant au gaz ou autres combustibles.
- La hotte doit être régulièrement nettoyée à la fois à l'intérieur et à l'extérieur (AU MOINS UNE FOIS PAR MOIS); cela devrait se faire en conformité avec les instructions d'entretien. Le non respect des instructions expressément fournies concernant le nettoyage de la hotte et des filtres peut provoquer des risques d'incendie.
- Ne pas flamber d'aliments sous la hotte.
- Pour le remplacement de la lampe, utilisez uniquement le type de lampe spécifié dans la section remplacement/maintenance lampe dans ce manuel.

L'utilisation d'une flamme nue est dommageable pour les filtres et peut causer un incendie, par conséquent, il est déconseillé de l'utiliser.

La friture doit être faite avec soin afin de s'assurer que l'huile surchauffée ne prenne pas feu.

AVERTISSEMENT: Lorsque la table de cuisson est en fonctionnement, les parties accessibles de la hotte peuvent devenir très chaudes.

• Ne pas brancher l'appareil au réseau électrique avant que l'installation ne soit complètement terminée.

- En ce qui concerne les mesures techniques et de sécurité à prendre pour l'évacuation des fumées, respectez strictement les dispositions des règlements locaux.
- L'air ne doit pas être envoyé dans un conduit utilisé pour évacuer les fumées d'appareils utilisant du gaz ou un autre combustible.
- Ne pas utiliser ou laisser la hotte sans les lampes correctement montées, car un éventuel risque de choc électrique est possible.
- N'utilisez jamais la hotte sans la grille montée correctement!
- La hotte ne doit JAMAIS être utilisée comme une surface d'appui, sauf indication expresse.
- Utilisez uniquement les vis de fixation fournies avec le produit pour l'installation, ou, si non fournies, acheter le type correct de vis.
- Utilisez la longueur correcte pour les vis qui sont identifiées dans le Guide d'installation.
- En cas de doute, consultez votre centre de service agréé ou du personnel qualifié.

▲ ATTENTION !

- Le défaut d'installer les vis et les dispositifs de fixation conformément à ces instructions peut entraîner des risques électriques.
- Ne pas mettre en marche au moyen d'un programmateur, d'une minuterie, ou d'un système de commande à distance séparé ou tout autre dispositif qui met l'appareil sous tension automatiquement.

Les enfants de moins de 3 ans ne doivent pas s'approcher de l'appareil. Sans la surveillance constante d'un adulte, garder l'appareil hors de la portée des enfants de moins de 8 ans.

⚠ ATTENTION : l'appareil ne peut être mis en marche par le biais d'un dispositif externe ou d'un système de commande à distance séparé.

⚠ Cet appareil n'est pas destiné à un usage professionnel. Ne pas utiliser l'appareil à l'extérieur.

⚠ Pour éviter le risque de lésions personnelles, l'appareil doit être déplacé et installé par deux ou plusieurs personnes.

⚠ L'installation, comprenant éventuellement aussi les raccords pour l'alimentation hydriques (si prévus) et les branchements électriques, et les interventions de réparation doivent être effectués par un personnel qualifié.

Après avoir complété l'installation, conserver le matériel d'emballage (plastique, polystyrène, etc.) hors de la portée des enfants pour éviter le risque d'étouffement.

Ne jamais utiliser l'appareil pieds nus ou mouillés.

Ne jamais utiliser d'appareils de nettoyage à vapeur pour éviter le risque de choc électrique.



Comme indiqué par le symbole, le matériel d'emballage est 100 % recyclable

La hotte peut avoir des configurations esthétiques différentes par rapport à ce qui est illustré dans les dessins de ce manuel, cependant les instructions pour l'utilisation, l'entretien et l'installation restent identiques.

Suivre impérativement les instructions de cette notice. Le constructeur décline toute responsabilité pour tous les inconvénients, dommages ou incendies provoqués à l'appareil et dus à la non observation des instructions de la présente notice. Cet appareil est destiné à être utilisé dans des applications domestiques et analogues telles que : - des coins cuisines réservés au personnel dans des magasins, bureaux et autres environnements professionnels ; - des fermes ; - l'utilisation par les clients des hôtels, motels et autres environnements à caractère résidentiel ; - des environnements du type chambre d'hôtes.

- Il est important de conserver ce livret pour pouvoir le consulter à tout moment. En cas de vente, de cession ou de déménagement, assurez-vous que la notice d'utilisation l'accompagne.
- Veuillez lire attentivement les instructions, vous trouverez des informations importantes sur l'installation, le mode d'emploi et la sécurité.
- Ne pas effectuer des modifications électriques ou mécaniques sur le produit ou sur les conduits d'évacuation.
- Avant d'installer l'appareil, vérifiez qu'il n'y a aucun composant endommagé. Sinon, contactez votre revendeur et ne continuez pas l'installation.

La distance minimum entre la superficie de support des récipients sur le dispositif de cuisson et la partie la plus basse de la hotte de cuisine ne doit pas être inférieure à 50cm dans le cas de cuisinières électriques et de 65 cm dans le cas de cuisinières à gaz ou mixtes.

Si les instructions d'installation du dispositif de cuisson au gaz spécifient une plus grande distance, il faut en tenir compte.

BRANCHEMENT ÉLECTRIQUE

La tension électrique doit correspondre à la tension reportée sur la plaque signalétique située à l'intérieur de la hotte. Si une prise est présente, branchez la hotte dans une prise murale conforme aux normes en vigueur et placée dans une zone accessible également après l'installation. Si aucune prise n'est présente (raccordement direct au circuit électrique), ou si la prise ne se trouve pas dans une zone accessible également après l'installation, appliquez un disjoncteur normalisé pour assurer de débrancher complètement la hotte du circuit électrique en conditions de catégorie surtension III, conformément aux réglementations de montage.

⚠ ATTENTION!


Avant de rebrancher le circuit de la hotte à l'alimentation électrique et d'en vérifier le fonctionnement correct, contrôlez toujours que le câble d'alimentation soit monté correctement.

Si le câble n'est pas équipé d'une fiche, branchez les fils selon le tableau suivant:

Tension principale et fréquence

Se référer à la valeur indiquée sur l'étiquette des caractéristiques à l'intérieur de la hotte.

Branchement des fils

 : jaune/vert
N : bleu
L : brun

Changement du câble d'alimentation

La hotte est pourvue d'un câble d'alimentation spécial; en cas de détérioration du câble, en demander un neuf au service d'assistance technique.

ÉVACUATION DE L'AIR

(pour les versions aspirantes)

Relier la hotte aux tubes et trous d'évacuation de la paroi d'un diamètre équivalent à la sortie de l'air (collier de raccord).

L'utilisation de tubes et des trous d'évacuation à paroi avec un diamètre inférieur entraînera une diminution des performances

d'aspiration et une nette augmentation du bruit.

Nous déclinons toute responsabilité à cet égard.

! Utiliser un tuyau de la longueur strictement nécessaire.

! Les coudes du tuyau doivent être en nombre minime (angle maxi du coude: 90°).

! Éviter les variations excessives de section du tuyau.

! La société décline toute responsabilité si ces normes ne sont pas respectées.

FILTRANTE OU ASPIRANTE ?

! Votre hotte est prête pour être utilisée en version aspirante.

Pour utiliser la hotte en version filtrante, il faut installer le KIT ACCESSOIRES prévu.

Vérifier dans les premières pages de ce manuel si le KIT ACCESSOIRES est déjà fourni ou s'il faut l'acheter à part.

Remarque: Si fourni dans le kit, dans certains cas, le système de filtration supplémentaire à base de charbon actif pourrait déjà être installé dans la hotte.

Les informations pour la transformation de la hotte de version aspirante à version filtrante sont déjà contenues dans ce manuel.

Version aspirante

Les vapeurs sont évacuées vers l'extérieur à travers un conduit d'évacuation fixé à la bride de raccord qui se trouve au-dessus de la hotte.

⚠ ATTENTION!

Le tuyau d'évacuation n'est pas fourni et doit être acheté à part.

Le diamètre du tuyau d'évacuation doit être égal à celui de la bride de raccord.

⚠ ATTENTION!

Si la hotte est équipée d'un filtre à charbon, ce dernier doit être enlevé.

Version filtrante

L'air d'aspiration sera dégraissé et désodorisé avant d'être renvoyé dans la pièce.

Pour utiliser la hotte dans cette version, vous devez installer un système de filtrage supplémentaire basé sur charbon actif.

COMMANDES

La hotte est équipée d'un panneau de contrôle doté d'une commande de vitesse d'aspiration et d'une commande d'éclairage du plan de cuisson.



T1



T2



T3

P

T4

ZEN

T5



T6



Moteur ventilateur / MARCHE/ARRÊT 1ère vitesse



Moteur ventilateur / MARCHE/ARRÊT 2ème vitesse



Moteur ventilateur / MARCHE/ARRÊT 3ème vitesse

P

MARCHE/ARRÊT Fonction « POWER BOOST » (contrôlée en temps)

Remarque : la hotte recommencera à fonctionner à la 3ème vitesse, après cinq minutes.

ZEN

MARCHE/ARRÊT Fonction « ZEN Mode » (Mode ZEN)

Remarque : Cette fonction permet d'activer une vitesse d'extraction avec l'équilibre parfait entre le calme et l'efficacité d'extraction.



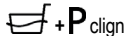
Témoin principal ALLUMÉ/ÉTEINT

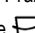
ALARME/RÉINITIALISATION DU FILTRE À GRAISSE/CHARBON

À intervalle régulier, la hotte indique le besoin d'effectuer l'entretien du filtre.

Remarque : Les indicateurs ne fonctionneront que 40 seconds après l'extinction de la vitesse du moteur de ventilateur.

 clignotant : effectuer l'entretien du filtre à graisse.

 + **P** clignotant : effectuer un entretien du filtre au charbon actif.

Remarque : l'alarme du filtre à charbon est normalement désactivée, pour permettre : l'extinction de la hotte puis la pression et le maintien de  + **P** pendant plus de 3 s, les deux signaux étant allumés pendant environ 3 s pour indiquer que l'alarme de filtre à charbon est activée. Répétez l'opération pour désactiver (les deux signaux clignotent environ 3 s).

Réinitialisation des indicateurs de saturation du filtre

Appuyez et maintenez enfoncé pendant au moins 3 s les signaux pendant qu'ils clignotent.

ENTRETIEN

Nettoyage

Pour le nettoyage, utiliser **EXCLUSIVEMENT** un chiffon humidifié avec des détergent liquides neutres. **NE PAS UTILISER D'OUTILS OU D'INSTRUMENTS POUR LE NETTOYAGE !** Éviter l'usage de produits abrasifs, **NE PAS UTILISER D'ALCOOL !**

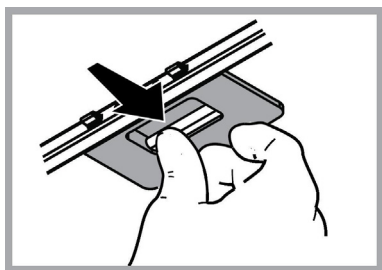
Entretien des filtres anti-grasses

Il retient les particules de graisse issues de la cuisson.

Le filtre doit être nettoyé une fois par mois (ou lorsque le système d'indication de saturation des filtres – si prévu sur le modèle – indique cette nécessité) avec des détergents non agressifs, à la main ou dans le lave-vaisselle à faibles températures et cycle rapide.

Le lavage du filtre anti-graisse métallique au lave-vaisselle peut en provoquer la décoloration. Toutefois, les caractéristiques de filtrage ne seront en aucun cas modifiées.

Pour démonter le filtre anti-graisse, tirer la poignée de décrochement à ressort.



Entretien des filtres au charbon

Retient les odeurs désagréables de cuisson.

La saturation du charbon actif se constate après un emploi plus ou moins long, selon le type de cuisinière et de régularité du nettoyage du filtre à graisses. En tout cas, il est nécessaire de changer le filtre après, au maximum, quatre mois (ou lorsque le système d'indication de saturation des filtres – si prévu sur le modèle possédé – indique cette nécessité).

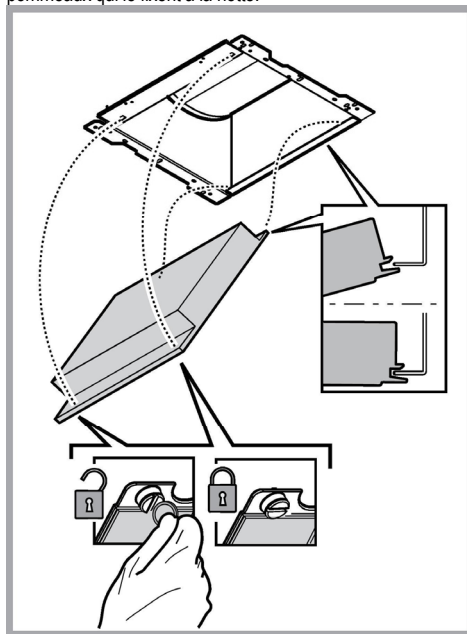
IL NE PEUT PAS être nettoyé ou régénéré.

Montage

Accrocher le filtre au charbon actif d'abord à l'arrière de la languette métallique de la hotte, puis à l'avant avec les deux pommeaux.

Démontage

Enlever le filtre au charbon actif en tournant de 90° les pommeaux qui le fixent à la hotte.



Remplacement des lampes

La hotte est dotée d'un système d'éclairage basé sur la technologie LED.

Les LEDS garantissent un éclairage optimal, une durée jusqu'à 10 fois supérieures aux ampoules traditionnelles et permettent une épargne de 90% en énergie électrique.


Pour remplacer les lampes, contactez le centre service agréé pour pièces de rechange.

ÉLIMINATION

Cet appareil porte le symbole du recyclage conformément à la Directive Européenne 2012/19/EC concernant les Déchets d'Équipements Électriques et Électroniques (DEEE ou WEEE).

En procédant correctement à la mise au rebut de cet appareil, vous contribuerez à empêcher toute conséquence nuisible pour l'environnement et la santé de l'homme.



Le symbole  présent sur l'appareil ou sur la documentation qui l'accompagne indique que ce produit ne peut en aucun cas être traité comme déchet ménager. Il doit par conséquent être remis à un centre de collecte des déchets chargé du recyclage des équipements électriques et électroniques.

Pour la mise au rebut, respectez les normes relatives à l'élimination des déchets en vigueur dans le pays d'installation.

Pour obtenir de plus amples détails au sujet du traitement, de la récupération et du recyclage de cet appareil, veuillez vous adresser au bureau compétent de votre commune, à la société de collecte des déchets ou directement à votre revendeur.

Appareil conçu, testé et fabriqué conformément aux normes suivantes :

- Sécurité : EN/IEC 60335-1; EN/IEC 60335-2-31, EN/IEC 62233.
- Performances : EN/IEC 61591; ISO 5167-1; ISO 5167-3; ISO 5168; EN/IEC 60704-1; EN/IEC 60704-2-13; EN/IEC 60704-3; ISO 3741; EN 50564; IEC 62301.
- EMC: EN 55014-1; CISPR 14-1; EN 55014-2; CISPR 14-2; EN/IEC 61000-3-2; EN/IEC 61000-3-3. Suggestions pour une utilisation correcte afin de réduire l'impact environnemental : Allumer la hotte à la vitesse minimum pendant la cuisson et la laisser fonctionner pendant quelques minutes après la fin de la cuisson. Augmenter la vitesse uniquement en présence d'une grande quantité de fumée ou de vapeur et n'utiliser la/les vitesse(s) accélérées que dans les cas extrêmes. Remplacer le(s) filtre(s) au charbon lorsque cela est nécessaire afin de maintenir une réduction efficace des odeurs. Nettoyer le(s) filtres à graisse lorsque cela est nécessaire afin de maintenir un filtrage efficace des graisses. Utiliser un système de tuyauterie du diamètre maximum indiqué dans ce manuel afin d'optimiser le rendement et de minimiser le bruit.





ANOMALIES DE FONCTIONNEMENT

En cas d'anomalie de fonctionnement, avant de faire appel au service d'assistance, effectuer les contrôles suivants:

- Si la hotte ne fonctionne pas:
S'assurer:
 - de l'absence de coupure de courant.
 - qu'une vitesse a été sélectionnée.
- Si la hotte a un faible rendement:
S'assurer:
 - que la vitesse du moteur sélectionnée est suffisante pour la quantité de fumée et de vapeurs libérées.
 - que la cuisine est insuffisamment aérée pour assurer une prise d'air.
 - que le filtre à charbon n'est pas usé (hotte en version filtrante).
- Si la hotte s'éteint durant son fonctionnement normal:
S'assurer:
 - de l'absence de coupure de courant.
 - que le dispositif d'interruption omnipolaire ne s'est pas déclenché.

Si la hotte ne fonctionne pas correctement, débranchez la prise pendant environ 5 secondes, puis rebranchez-la. Si le problème persiste, contactez le service de réparation compétent.

DONNÉES TECHNIQUE

Hauteur (cm)	Largeur (cm)	Profondeur (cm)	Ø de tube d'évacuation (cm)
 61,9-114,7  70,6-114,7	89,8	45	15
 61,9-114,7  70,6-114,7	59,8	45	15

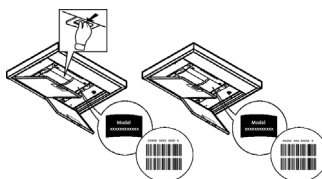


Éléments non fournis avec la hotte



Vous pouvez télécharger les consignes de sécurité, le manuel de l'utilisateur, la fiche produit et les données énergétiques en :

- Visitant notre site internet docs.whirlpool.eu
- Utilisant le Code QR
- Vous pouvez également **contacter notre service après-vente** (voir numéro de téléphone dans le livret de garantie). Lorsque vous contactez notre Service Après-vente, veuillez indiquer les codes visibles sur la plaque signalétique de l'appareil.



ALGEMENE VEILIGHEID

- Zorg voordat u de afzuigkap schoonmaakt of onderhoudt eerst dat hij geen stroom heeft door de stekker uit het stopcontact te halen, de tweepolige schakelaar uit te zetten of de betreffende elektriciteitsgroep geheel uit te schakelen.
- Draag tijdens installatie en onderhoud altijd werkhandschoenen.
- Dit apparaat is geschikt voor bediening door kinderen vanaf 8 jaar, personen met lichamelijke, zintuiglijke of verstandelijke beperkingen, onervaren personen en degenen die over onvoldoende kennis beschikken, onder voorwaarde dat ze hierbij eerst worden begeleid en geïnstrueerd over veilig gebruik en bediening van het apparaat, en voldoende inzicht hebben in de bijbehorende gevaren.
- Laat kinderen niet aan de knoppen zitten of met het apparaat spelen.
- Schoonmaken en onderhoud door kinderen van voor de gebruiker toegankelijke onderdelen mag alleen onder toezicht van een volwassene.
- Wanneer de afzuigkap wordt gebruikt voor apparaten die op gas of een andere brandstof werken, moet de ruimte waar de apparaten zijn geïnstalleerd voldoende worden geventileerd.
- De afzuigkap moet regelmatig van binnen en van buiten worden schoongemaakt (MINSTENS 1 KEER PER MAAND).
- Hierbij moeten de verstrekte onderhoudsinstructies worden opgevolgd. Als de verstrekte instructies voor het reinigen van de afzuigkap en de filters niet worden opgevolgd, ontstaat de kans op brand.
- U mag niets flamberen onder de afzuigkap.
- Vervang de lampen uitsluitend door het type dat staat aangegeven onder "Onderhoud > Lampjes vervangen" van deze gids.

Blootstellen aan vlammen is slecht voor de filters en kan tot brand leiden. Dit moet dus onder alle omstandigheden worden vermeden. Werk bij bakken en braden dus extra zorgvuldig en zorg dat vet of olie niet oververhit raakt en in brand vliegt.

LET OP: het is mogelijk dat toegankelijke onderdelen van de afzuigkap heet worden tijdens het afvoeren van kookdampen.

- Sluit het apparaat niet op het lichtnet aan voordat de installatie is voltooid.
- Bij technische maatregelen en veiligheidsmaatregelen voor installaties die kookdampen afvoeren, is het belangrijk dat de lokale wet- en regelgeving nauwkeurig wordt gevolgd.
- De afgezogen lucht mag niet worden afgevoerd naar een uitvoer voor dampen van apparaten die op gas of andere brandstoffen werken.
- Zorg dat de lamp op de juiste manier is geplaatst omdat anders de kans ontstaat op elektrische schokken, zelfs als de kap niet wordt gebruikt.
- Gebruik de afzuigkap nooit zonder op de juiste manier geplaatste roosters.
- Laat NOOIT andere zaken op de afzuigkap rusten, tenzij specifiek aangegeven.
- Gebruik voor de installatie alleen de meegeleverde schroeven, of koop schroeven van het juiste type.
- Raadpleeg de installatiegids voor de correcte afmetingen van de schroeven.
- Raadpleeg bij twijfel een geautoriseerd service center of iemand met vergelijkbare kwalificaties.

▲ WAARSCHUWING!

- Wanneer niet de in deze instructies vermelde schroeven worden gebruikt of als het apparaat niet volgens deze instructies wordt bevestigd, kunnen elektrische risico's ontstaan.

- Sluit het product niet aan op een (programmeerbare) timer, externe afstandsbediening of ander apparaat waardoor het product automatisch wordt ingeschakeld.

Houd kinderen jonger dan 3 jaar uit de buurt van het apparaat. Zonder het voortdurende toezicht van een volwassene moeten kinderen jonger dan 8 jaar uit de buurt van het apparaat gehouden worden.

⚠ OPGELET: het apparaat is niet bedoeld om in werking te worden gesteld door middel van een extern apparaat of een afzonderlijk afstandsbedieningssysteem.

⚠ Dit apparaat is niet bedoeld voor een professioneel gebruik. Gebruik het apparaat niet in de open lucht.

⚠ Om het risico op persoonlijk letsel te voorkomen, moet het apparaat verplaatst en geïnstalleerd worden door twee of meer personen.

⚠ De installatie, waaronder ook de eventuele aansluiting op de watervoorziening (indien voorzien) en de elektrische aansluitingen, evenals de reparatie-ingrepen moeten worden uitgevoerd door gekwalificeerd personeel.

Na het voltooiën van de installatie moet het verpakkingsmateriaal (plastic, polystyreen, enz.) buiten het bereik van kinderen bewaard worden om verstikkingsgevaar te voorkomen.

Gebruik het apparaat niet wanneer u nat bent of op blote voeten.

Gebruik voor de reiniging nooit stoomreinigers - gevaar voor elektrische schokken.



Het verpakkingsmateriaal is 100% recycleerbaar en is gemarkeerd met het betreffende symbool

De afzuigkap kan er anders uitzien dan de afbeeldingen in dit boekje. De instructies voor bediening, onderhoud en installatie blijven echter hetzelfde.

Houd u altijd aan de instructies in deze gids. Wij aanvaarden geen enkele aansprakelijkheid voor problemen, schade of brand die voortvloeien uit nalatigheid, zoals het niet opvolgen van de instructies in deze gids. Dit apparaat is bedoeld voor huishoudelijk gebruik en vergelijkbare toepassingen zoals: - personeelskeukens in winkels, kantoren en andere werkomgevingen; - boerderijen; - gebruik door klanten in hotels, motels en andere verblijfsomgevingen zoals bed and breakfast.

- Het is belangrijk om dit boekje goed te bewaren zodat u er altijd dingen in kan opzoeken. Zorg dat het boekje bij verhuizing, verkoop of overdracht met het apparaat meegaat.
- Lees de instructies zorgvuldig; het gaat hier om belangrijke informatie over installatie, bediening, onderhoud en veiligheid.
- Voer nooit zelf elektrische of mechanische veranderingen uit op het product of de afvoerbuizen.
- Controleer alle onderdelen op beschadigingen voordat u verder gaat met de installatie van het apparaat. Neem bij beschadiging contact op met uw leverancier, en begin niet aan de installatie.

De minimale afstand tussen het kookoppervlak en de onderkant van de afzuigkap is 50cm bij een elektrische kookplaat en 65 cm, in geval van een gas- of gemengd fornuis.

Als in de installatie-instructies van een gaskookplaat een grotere afstand wordt genoemd, moet de grotere afstand worden gebruikt.

ELEKTRISCHE AANSLUITING

De aansluiting op het lichtnet moet overeenkomen met de waarde op het plaatje aan de binnenkant van de afzuigkap. Als de afzuigkap een stekker heeft, moet deze in een stopcontact dat aan de nieuwste regelgeving voldoet en ook na de installatie bereikbaar blijft. Als het product geen stekker heeft (rechtstreekse aansluiting op lichtnet), of als de stekker na de installatie niet meer bereikbaar is, moet gebruik worden gemaakt van een tweepolige aan/uitschakelaar, zodat het product (bijvoorbeeld bij een te hoge stroomsterkte, categorie III) geheel kan worden losgekoppeld van het lichtnet.

⚠ WAARSCHUWING!

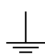
Controleer eerst of het netsnoer correct is gemonteerd voordat de afzuigkap op het lichtnet wordt aangesloten om de juiste werking te controleren.

Als de kabel niet is voorzien van een stekker, sluit u de kabels aan overeenkomstig de volgende tabel:

Spanning en frequentie net

Verwijs naar de waarde aangegeven op het typeplaatje dat is aangebracht in de afzuigkap.

Aansluiting draden

 : geel/groen
 N : blauw
 L : bruin

Vervanging van de voeding

De afzuigkap wordt geleverd met een speciaal netsnoer. Als dit snoer beschadigd is, moet u een nieuw exemplaar aanvragen bij de technische dienst.

LUCHTAFVOER

(afzuigend apparaat)

Sluit de afzuigkap aan op een buis met dezelfde doorsnede als de luchtafvoer van de kap (aansluitflens). Deze diameter geldt ook voor eventuele doorvoeropeningen voor de afvoerbuis.

Een doorvoeropening en/of buis met een kleinere doorsnede verlaagt de zuigkracht en leidt tot een enorme toename van de geluidsproductie. Wij aanvaarden in dit verband dan ook geen enkele verantwoordelijkheid.

- Houd de buis zo kort mogelijk.
 - Gebruik zo weinig mogelijk elleboogkoppelingen (maximale hoek hiervan: 90°).
 - Vermijd grote variaties in de doorsnede van de afvoerbuis.
- ! Het bedrijf wijst iedere aansprakelijkheid af indien deze voorschriften niet in acht worden genomen.

FILTEREND OF AFZUIGEND APPARAAT ?

! Uw afzuigkap is ingesteld om als afzuigend apparaat te worden gebruikt.

Om de kap als filterend apparaat te gebruiken dient de betreffende TOEBEHOREN SET gemonteerd te worden.

Controleer op de eerste pagina's van deze handleiding of de TOEBEHOREN SET wordt meegeleverd of gekocht moet worden.

Opmerking: Indien de set meegeleverd wordt, kan, in enkele gevallen, het extra actieve koolstoffilter reeds op de kap gemonteerd zijn.

De inlichtingen om de kap van afzuigend apparaat in filterend apparaat om te zetten zijn in deze handleiding te vinden.

Uitvoering als afzuigend apparaat

Hierbij wordt de afgevoerde lucht uit het pand gevoerd via een speciaal hiervoor geconstrueerde buis die gekoppeld is aan de aansluiting aan de bovenkant van de afzuigkap.

⚠ LET OP!

De afvoerbuis wordt niet meegeleverd en moet afzonderlijk worden aangeschaft. De afvoerbuis moet dezelfde doorsnede hebben als de aansluiting.

⚠ LET OP!

Als de afzuigkap is geleverd met een actief koolfilter, moet dit worden verwijderd.

Filtrerende versie

De verwijderde lucht wordt ontvet en ontgeurd en vervolgens weer teruggeleid naar de betreffende ruimte.

Om de afzuigkap in deze vorm te gebruiken, moet een extra filtersysteem op basis van geactiveerde kool zijn geïnstalleerd.

BEDIENINGSELEMENTEN

De kap is voorzien van een bedieningspaneel met een schakelaar voor de snelheid van afzuiging en een schakelaar voor de verlichting van het fornuis.



T1



T2



T3

P

T4

ZEN

T5



T6



Ventilator motor / AAN/UIT 1ste snelheid



Ventilator motor / AAN/UIT 2de snelheid



Ventilator motor / AAN/UIT 3de snelheid

P

Functie "VERMOGENSOPVOERING" AAN/UIT (met klokbesturing)

Opmerking: de kap gaat na vijf minuten terug werken aan de 3de snelheid.

ZEN

Functie Werking "ZEN Modus" AAN/UIT

Opmerking: Deze functie dient om een afzuigsnelheid in te schakelen die perfect gebalanceerd is tussen stilte en efficiëntie.

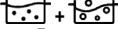


Hoofdlampje ON/OFF

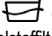
VET/KOOLSTOFFILTER ALARM/RESET

De kap signaleert regelmatig de behoefte om de filter te onderhouden.

Opmerking: De indicatoren werken slechts 40 seconden nadat de ventilatormotorsnelheid is UITgeschakeld.

 knipperen: voer het onderhoud van de vetfilter uit.

 + **P** knipperen: voer onderhoud uit aan het koolstoffilter.

Opmerking: het koolstoffilteralarm is gewoonlijk uitgeschakeld, om het in te schakelen: schakel de kap UIT, druk vervolgens op  + **P** en houd ze langer dan 3 seconden ingedrukt, beide verlikkers lichten ongeveer 3 seconden lang op om aan te geven dat het koolstoffilteralarm ingeschakeld is. Herhaal de handeling om het uit te schakelen (beide verlikkers knipperen ongeveer 3 seconden).

De indicatoren van filterverzadiging resetten

Druk op de verlikkers en houd ze bijna 3 seconden ingedrukt terwijl ze knipperen.

ONDERHOUD

Schoonmaak

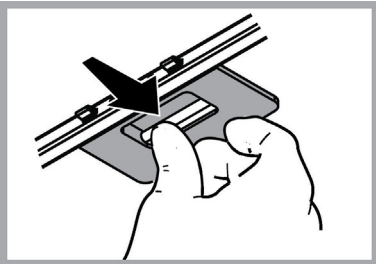
ALLEEN reinigen met een doek die is bevochtigd met een neutraal vloeibaar schoonmaakmiddel. **GEBRUIK BIJ HET REINIGEN GEEN GEREEDSCHAPPEN OF ANDERE VOORWERPEN.** Gebruik geen schuurmiddelen. **GEBRUIK GEEN ALCOHOL!**

Onderhoud van de vetfilters

Vangt vetdeeltjes op uit de kookdampen.

Moet één keer per maand worden gereinigd (of als de aanwijzer verzadigde filters – indien aanwezig op het model in Uw bezit – deze noodzaak aangeeft) met neutrale reinigingsmiddelen, met de hand of in de vaatwasmachine op lage temperaturen en met een kort programma. Door hem in de vaatwasmachine te wassen kan het metalen vetfilter ontkleuren, maar dit is niet van invloed op de eigenschappen, die beslist niet veranderen.

Trek aan de verende hendel om het vetfilter te verwijderen.



Onderhoud van het koolstoffilter

Absorbeert ongewenste kookgeurtjes. De verzadiging van de koolstoffilter vindt plaats na een min of meer geprolongerd gebruik en hangt af van het soort koken en de regelmaat waarmee de vetfilter wordt gewassen. In ieder geval moet de filter minstens om de 4 maanden (of als de aanwijzer verzadigde filters – indien aanwezig op het model in Uw bezit – deze noodzaak aangeeft) vervangen worden. Het kan NIET gewassen of opnieuw gebruikt worden

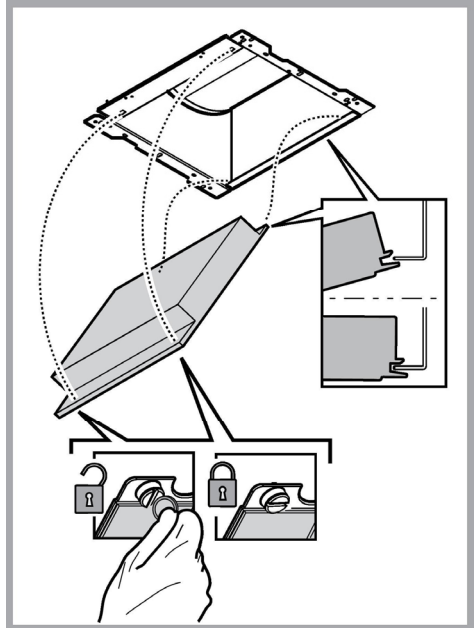
Montage

Haak eerst het koolfilter aan de achterkant van de metalen lip van de afzuigkap, en zet het daarna vast met de twee knoppen aan de voorkant.

Demontage

Verwijder het koolfilter door de bevestigingsknoppen op de

afzuigkap een kwartslag te draaien.



Vervanging lampjes

De kap is voorzien van een verlichtingssysteem gebaseerd op de LEDDEN technologie.

De Ledden zorgen voor een optimale verlichting, voor een 10 maal langere tijdsduur ten opzichte van de traditionele lampjes en een elektriciteitsbesparing van wel 90%.


Om de lampen te vervangen, neem contact op met de erkende assistentie service voor de reserveonderdelen.

VERWIJDERING

Dit toestel is gemarkeerd in overeenstemming met Europese richtlijn 2012/19/EC betreffende afgedankte elektrische en elektronische apparatuur (AEEA).

Zorg aan het einde van de levensduur van het apparaat dat het op de juiste manier wordt afgevoerd en verwerkt. Zo voorkomt u negatieve gevolgen voor volksgezondheid en milieu.



Het pictogram  op het product en/of in de bijbehorende documenten geeft aan dat dit apparaat niet als normaal huishoudelijk afval mag worden behandeld. Het product dient te worden afgegeven bij een officieel innamepunt voor elektrische en elektronische apparatuur om gerecycled te worden. Afvoer en verwerking moet worden uitgevoerd volgens plaatselijke milieu-regelgeving. Neem voor nadere informatie over inzamelen, verwerken en recyclen van dit product contact op met de betreffende afdeling van de lokale overheid, of de afdeling van uw leverancier die verantwoordelijkheid draagt voor afvalverwerking.

Toestel ontworpen, getest en gefabriceerd volgens:

- Veiligheid: EN/IEC 60335-1; EN/IEC 60335-2-31, EN/IEC 62233.
- Prestaties: EN/IEC 61591; ISO 5167-1; ISO 5167-3; ISO 5168; EN/IEC 60704-1; EN/IEC 60704-2-13; EN/IEC 60704-3; ISO 3741; EN 50564; IEC 62301.
- EMC: EN 55014-1; CISPR 14-1; EN 55014-2; CISPR 14-2; EN/IEC 61000-3-2; EN/IEC 61000-3-3. Suggesties voor correct gebruik om impact op het milieu te verkleinen: zet de afzuigkap aan op de laagste snelheid wanneer u gaat koken en laat hem na afloop nog een paar minuten doorlopen. Kies alleen een hogere snelheid bij grote hoeveelheden damp of rook en gebruik de hoge snelheid/snelheden (Boost) alleen voor extreme omstandigheden. Vervang tijdig de koolfilter(s) om de afzuiging van kookgeurtjes zo effectief mogelijk te houden. Vervang tijdig vetfilter(s) om de gevolgen van vetafzetting zo effectief mogelijk tegen te gaan. Gebruik buizen van de maximale doorsnede zoals vermeld in deze gids, voor optimale efficiëntie en minimale geluidsproductie.





STORINGEN

Bij een storing van de afzuigkap, voer de volgende controles uit alvorens de Technische Dienst te raadplegen:

- Als de afzuigkap niet functioneert:
Controleer of: Controleer dat:
 - er geen stroomonderbreking is.
 - er een snelheid is geselecteerd.
- Bij een laag rendement van de afzuigkap:
Controleer of: Controleer dat:
 - de ingestelde snelheid volstaat voor de afgegeven hoeveelheid rook en dampen.
 - de keuken is voldoende geventileerd voor een correcte luchttoevoer.
 - de koolstoffilter niet is verzadigd (i.g.v. recirculatie).
- het uitvallen van de afzuigkap tijdens de normale werking heeft plaatsgevonden.
Controleer of: Controleer dat:
 - er geen stroomonderbreking is.
 - de omnipolaire schakelaar niet is opgetreden.

In geval van storingen, voordat U zich tot de assistentie service wendt, minstens 5 seconden het apparaat van de elektrische voeding doen, door de stekker uit te trekken, en daarna weer invoeren. In het geval dat de storing blijft voortbestaan, wendt U zich tot de assistentie service.

TECHNISCHE GEGEVENS

Højde (cm)	Bredde (cm)	Dybde (cm)	Ø på udsugningsrør (cm)
 61,9-114,7  70,6-114,7	89,8	45	15
 61,9-114,7  70,6-114,7	59,8	45	15

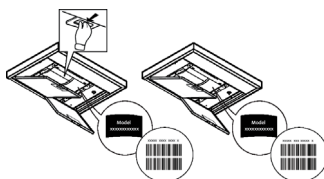


Niet meegeleverde onderdelen



U kunt de Veiligheidsinstructies, de Handleiding, de Productfiche en de Energiegegevens downloaden:

- Op onze website docs.whirlpool.eu
- Gebruik makend van de QR-code
- Anders, **contacteer onze Klantenservice** (Het telefoonnummer staat in het garantieboekje). Wanneer u contact neemt met de Klantenservice, gelieve de codes te vermelden die op het identificatieplaatje van het apparaat staan.



SICUREZZA GENERALE

- Prima di qualsiasi operazione di pulizia o manutenzione, disinserire la cappa dalla rete elettrica togliendo la spina o staccando l'interruttore generale dell'abitazione.
- Per tutte le operazioni di installazione e manutenzione utilizzare guanti da lavoro.
- L'apparecchio può essere utilizzato da bambini di età non inferiore a 8 anni e da persone con ridotte capacità fisiche, sensoriali o mentali, o prive di esperienza o della necessaria conoscenza, purché sotto sorveglianza oppure dopo che le stesse abbiano ricevuto istruzioni relative all'uso sicuro dell'apparecchio e alla comprensione dei pericoli ad esso inerenti.
- I bambini devono essere controllati affinché non giochino con l'apparecchio.
- La pulizia e la manutenzione non deve essere effettuata da bambini senza sorveglianza.
- Il locale deve disporre di sufficiente ventilazione, quando la cappa da cucina viene utilizzata contemporaneamente ad altri apparecchi a combustione di gas o altri combustibili.
- La cappa va frequentemente pulita sia internamente che esternamente (ALMENO UNA VOLTA AL MESE), rispettare comunque quanto espressamente indicato nelle istruzioni di manutenzione. L'inosservanza delle norme di pulizia della cappa e della sostituzione e pulizia dei filtri comporta rischi di incendi.
- E' severamente vietato fare cibi alla fiamma sotto la cappa.
- Per la sostituzione della lampada utilizzare solo il tipo lampada indicato nella sezione manutenzione /sostituzione lampada di questo manuale.

L'impiego di fiamma libera è dannoso ai filtri e può dar luogo ad incendi, pertanto deve essere evitato in ogni caso.

La frittura deve essere fatta sotto controllo onde evitare che l'olio surriscaldato prenda fuoco.

ATTENZIONE: Quando il piano di cottura è in funzione le parti accessibili della cappa possono diventare calde.

- Non collegare l'apparecchio alla rete elettrica finché l'installazione non è totalmente completata.

- Per quanto riguarda le misure tecniche e di sicurezza da adottare per lo scarico dei fumi attenersi strettamente a quanto previsto dai regolamenti delle autorità locali competenti.
- L'aria aspirata non deve essere convogliata in un condotto usato per lo scarico dei fumi prodotti da apparecchi a combustione di gas o di altri combustibili.
- Non utilizzare o lasciare la cappa priva di lampade correttamente montate per possibile rischio di scossa elettrica.
- Mai utilizzare la cappa senza griglia correttamente montata!
- La cappa non va MAI utilizzata come piano di appoggio a meno che non sia espressamente indicato.
- Utilizzare solo le viti di fissaggio in dotazione con il prodotto per l'installazione o, se non in dotazione, acquistare il tipo di viti corretto.
- Utilizzare la lunghezza corretta per le viti che sono identificati nella Guida all'installazione.
- In caso di dubbio, consultare il centro di assistenza autorizzato o personale qualificato similare.

▲ ATTENZIONE!

- La mancata installazione di viti e dispositivi di fissaggio in conformità di queste istruzioni può comportare rischi di natura elettrica.
- Non utilizzare con un programmatore, timer, telecomando separato o qualsiasi altro dispositivo che si attiva automaticamente.

Tenere i bambini di età inferiore a 3 anni lontani dall'apparecchio. Senza la sorveglianza costante di un adulto, tenere l'apparecchio fuori dalla portata dei bambini di età inferiore a 8 anni.

⚠ ATTENZIONE: l'apparecchio non è destinato ad essere messo in funzione mediante un dispositivo esterno o un sistema di comando a distanza separato.

⚠ Questo apparecchio non è destinato all'uso professionale. Non utilizzare l'apparecchio all'aperto.

⚠ Per evitare il rischio di lesioni personali, l'apparecchio deve essere movimentato e installato da due o più persone.

⚠ L'installazione, comprendente anche eventuali raccordi per l'alimentazione idrica (se previsti) e i collegamenti elettrici, e gli interventi di riparazione devono essere eseguiti da personale qualificato.

A installazione completata, conservare il materiale di imballaggio (parti in plastica, polistirolo, ecc.) fuori della portata dei bambini per evitare il rischio di soffocamento.

Non utilizzare l'apparecchio quando si è bagnati oppure a piedi nudi.

Mai utilizzare apparecchi per pulizia a vapore – rischio di shock elettrico.



Il materiale dell'imballo è riciclabile al 100% ed è contrassegnato con il simbolo del riciclo

La cappa può avere estetiche differenti rispetto a quanto illustrato nei disegni di questo libretto, comunque le istruzioni per l'uso, la manutenzione e l'installazione rimangono le stesse.

Attenersi strettamente alle istruzioni riportate in questo manuale. Si declina ogni responsabilità per eventuali inconvenienti, danni o incendi provocati all'apparecchio derivati dall'inosservanza delle istruzioni riportate in questo manuale. La cappa è concepita per l'aspirazione dei fumi e vapori della cottura ed è destinata al solo uso domestico.

- E' importante conservare tutti i manuali che accompagnano il prodotto per poterli consultare in ogni momento. In caso di vendita, di cessione o di trasloco, assicurarsi che restino insieme al prodotto.
- Leggere attentamente le istruzioni: ci sono importanti informazioni sull'installazione, sull'uso e sulla sicurezza.
- Non effettuare variazioni elettriche o meccaniche sul prodotto o sulle condotte di scarico.
- Verificare l'integrità della cappa prima di procedere con l'installazione. In caso contrario contattare il rivenditore e non proseguire con l'installazione.

La distanza minima fra la superficie di supporto dei recipienti sul dispositivo di cottura e la parte più bassa della cappa da cucina deve essere non inferiore a 50 cm in caso di cucine elettriche e di 65 cm in caso di cucine a gas o miste.

Se le istruzioni di installazione del dispositivo di cottura a gas specificano una distanza maggiore, bisogna tenerne conto.

COLLEGAMENTO ELETTRICO

La tensione di rete deve corrispondere alla tensione riportata sull'etichetta caratteristiche situata all'interno della cappa. Se provvista di spina allacciare la cappa ad una presa conforme alle norme vigenti posta in zona accessibile anche dopo l'installazione. Se sprovvista di spina (collegamento diretto alla rete) o la spina non è posta in zona accessibile, anche dopo installazione, applicare un interruttore bipolare a norma che assicuri la disconnessione completa della rete nelle condizioni della categoria di sovratensione III, conformemente alle regole di installazione.

⚠ ATTENZIONE!

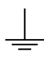
Prima di ricollegare il circuito della cappa all'alimentazione di rete e di verificarne il corretto funzionamento, controllare sempre che il cavo di rete sia stato montato correttamente.

Se il cavo non è provvisto di spina, collegare i fili attenendosi alla tabella seguente:

Tensione e frequenza della rete

Fare riferimento al valore indicato nella etichetta caratteristiche all'interno della cappa.

Collegamento fili

 : giallo/verde

N : blu

L : marrone

Sostituzione del cavo di alimentazione

La cappa è provvista di un cavo alimentazione speciale; in caso di danneggiamento del cavo, richiederlo al servizio assistenza tecnica.

SCARICO DELL'ARIA

(per le versioni aspiranti)

Collegare la cappa a tubi e fori di scarico a parete con diametro equivalente all'uscita d'aria (flangia di raccordo).

L'utilizzo di tubi e fori di scarico a parete con diametro inferiore determinerà una diminuzione delle prestazioni di aspirazione ed un drastico aumento della rumorosità.

Si declina perciò ogni responsabilità in merito.

- ! Usare un condotto lungo il minimo indispensabile.
- ! Usare un condotto con minor numero di curve possibile (angolo massimo della curva: 90°).
- ! Evitare cambiamenti drastici di sezione del condotto.
- ! L'azienda declina ogni responsabilità qualora queste norme non vengano rispettate.

FILTRANTE O ASPIRANTE?

! La vostra cappa è pronta per essere utilizzata in versione aspirante.

Per utilizzare la cappa in versione filtrante va installato l'apposito KIT ACCESSORIO.

Verificate nelle prime pagine di questo manuale se il KIT ACCESSORIO è già fornito a corredo o va acquistato a parte.

Nota: Se fornito a corredo, in alcuni casi, il sistema di filtraggio aggiuntivo a base di carboni attivi potrebbe essere già installato sulla cappa.

Le informazioni per la trasformazione della cappa da versione aspirante a versione filtrante sono già contenute in questo manuale.

Versione aspirante

I vapori vengono evacuati verso l'esterno tramite un tubo di scarico fissato alla flangia di raccordo.

ATTENZIONE!

Il tubo di evacuazione non è fornito e va acquistato.

Il diametro del tubo di scarico deve essere equivalente al diametro dell'anello di connessione.

ATTENZIONE!

Se la cappa è provvista di filtro/i a carbone, questo/i deve/devono essere rimosso/i.

Versione filtrante

L'aria aspirata verrà sgrassata e deodorata prima di essere riconvogliata nella stanza. Per utilizzare la cappa in questa versione è necessario installare un sistema di filtraggio aggiuntivo a base di carboni attivi.

COMANDI

La cappa è fornita di un pannello comandi con un controllo delle velocità di aspirazione ed un controllo di accensione della luce per l'illuminazione del piano di cottura.



T1



T2



T3

P

T4

ZEN

T5



T6



Motore ventola / Accensione/ spegnimento 1° velocità



Motore ventola / Accensione/ spegnimento 2° velocità



Motore ventola / Accensione/ spegnimento 3° velocità

P

Accensione/spegnimento funzione "POWER BOOST" (temporizzata)

Nota: dopo 5 minuti la cappa tornerà alla 3° velocità.

ZEN Accensione/spegnimento funzione "ZEN Mode"

Nota: Questa funzione permette di attivare una velocità di aspirazione che risulti il miglior compromesso fra silenziosità ed efficienza di aspirazione.

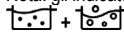


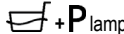
Accensione/spegnimento della luce principale

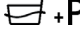
ALLARME/RESET DEL FILTRO ANTIGRASSO O DEL FILTRO AL CARBONE

Ad intervalli regolari la cappa segnala la necessità di eseguire la manutenzione dei filtri.

Nota: gli indicatori rimangono attivi solo per 40 secondi dopo avere disattivato il motore della ventola.

 lampeggianti: eseguire la manutenzione del filtro antigrasso.

 lampeggianti: eseguire la manutenzione del filtro al carbone.

Nota: l'allarme del filtro al carbone è normalmente disabilitato. Per abilitarlo: spegnere la cappa, quindi premere  +P per almeno 3 secondi; i due segnali si accenderanno per circa 3 secondi per indicare che l'allarme del filtro al carbone è abilitato. Ripetere l'operazione per disabilitare l'allarme (i due segnali lampeggeranno per circa 3 secondi).

Reset degli indicatori di saturazione dei filtri

Premere per circa 3 secondi i segnali mentre lampeggiano.

MANUTENZIONE

Pulizia

Per la pulizia usare **ESCLUSIVAMENTE** un panno inumidito con detersivi liquidi neutri. **NON UTILIZZARE UTENSILI O STRUMENTI PER LA PULIZIA!**

Evitare l'uso di prodotti contenenti abrasivi. **NON UTILIZZARE ALCOOL!**

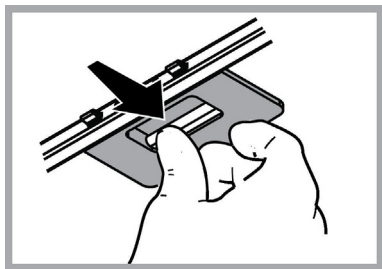
Manutenzione dei filtri antigrasso

Trattiene le particelle di grasso derivanti dalla cottura.

Deve essere pulito una volta al mese (o quando il sistema di indicazione di saturazione dei filtri - se previsto sul modello in possesso - indica questa necessità), con detersivi non aggressivi, manualmente oppure in lavastoviglie a basse temperature ed a ciclo breve.

Con il lavaggio in lavastoviglie il filtro antigrasso metallico può scolorirsi ma le sue caratteristiche di filtraggio non cambiano assolutamente.

Per smontare il filtro grassi tirare la maniglia di sgancio a molla.



Manutenzione del filtro al carbone

Trattiene gli odori sgradevoli derivanti dalla cottura.

La saturazione del filtro carbone si verifica dopo un uso più o meno prolungato a seconda del tipo di cucina e della regolarità della pulizia del filtro grassi. In ogni caso è necessario sostituire la cartuccia al massimo ogni quattro mesi (o quando il sistema di indicazione di saturazione dei filtri - se previsto sul modello in possesso - indica questa necessità).

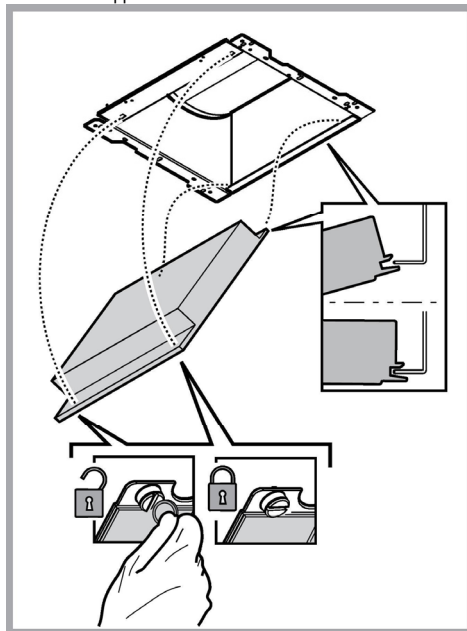
NON può essere lavato o rigenerato

Montaggio

Agganciare il filtro ai carboni attivi prima posteriormente sulla linguetta metallica della cappa, poi anteriormente con i due pomelli.

Smontaggio

Rimuovere il filtro ai carboni attivi girando di 90° i pomelli che lo fissano alla cappa.



Sostituzione delle lampade

La cappa è dotata di un sistema di illuminazione basato sulla tecnologia LED.


I LED garantiscono una illuminazione ottimale, una durata fino a 10 volte maggiore delle lampade tradizionali e consentono di risparmiare il 90% di energia elettrica.

Per la sostituzione delle lampade, contattare il centro autorizzato per i ricambi.

SMALTIMENTO

Questo apparecchio è contrassegnato in conformità alla Direttiva Europea 2012/19/EC, Waste Electrical and Electronic Equipment (WEEE). Assicurandosi che questo prodotto sia smaltito in modo corretto, l'utente contribuisce a prevenire le potenziali conseguenze negative per l'ambiente e la salute.



Il simbolo  sul prodotto o sulla documentazione di accompagnamento indica che questo prodotto non deve essere trattato come rifiuto domestico ma deve essere consegnato presso l'idoneo punto di raccolta per il riciclaggio di apparecchiature elettriche ed elettroniche. Disfarsene seguendo le normative locali per lo smaltimento dei rifiuti. Per ulteriori informazioni sul trattamento, recupero e riciclaggio di questo prodotto, contattare l'idoneo ufficio locale, il servizio di raccolta dei rifiuti domestici o il negozio presso il quale il prodotto è stato acquistato.

Apparecchiatura progettata, testata e realizzata nel rispetto delle norme sulla:

- Sicurezza: EN/IEC 60335-1; EN/IEC 60335-2-31, EN/IEC 62233.
- Prestazione: EN/IEC 61591; ISO 5167-1; ISO 5167-3; ISO 5168; EN/IEC 60704-1; EN/IEC 60704-2-13; EN/IEC 60704-3; ISO 3741; EN 50564; IEC 62301.
- EMC: EN 55014-1; CISPR 14-1; EN 55014-2; CISPR 14-2; EN/IEC 61000-3-2; EN/IEC 61000-3-3. Suggerimenti per un corretto utilizzo al fine di ridurre l'impatto ambientale: Quando iniziate a cucinare, accendere la cappa alla velocità minima, lasciandola accesa per alcuni minuti anche dopo il termine della cottura. Aumentare la velocità solo in caso di grandi quantità di fumo e vapore, utilizzando la funzione booster solo in casi estremi. Per mantenere ben efficiente il sistema di riduzione degli odori, sostituire, quando è necessario, il/i filtro/i carbone. Per mantenere ben efficiente il filtro del grasso, pulirlo in caso di necessità. Per ottimizzare l'efficienza e minimizzare i rumori, utilizzare il diametro massimo del sistema di canalizzazione indicato in questo manuale.





ANOMALIE DI FUNZIONAMENTO

Se qualcosa non sembra funzionare, prima di chiamare il Servizio Assistenza effettuare i seguenti semplici controlli:

- Se la cappa non funziona:
Verificare che:
 - non c'è interruzione di corrente.
 - è stata selezionata una velocità.
- Se la cappa ha un rendimento scarso:
Verificare che:
 - La velocità motore selezionata è sufficiente per la quantità di fumo e di vapori liberata.
 - La cucina è sufficientemente areata per permettere una presa d'aria.
 - Il filtro carbone non è consumato (cappa in versione filtrante).
- Se la cappa si è spenta nel corso del normale funzionamento:
Verificare che:
 - non c'è interruzione di corrente.
 - il dispositivo di interruzione omipolare non è scattato.

In caso di eventuali anomalie di funzionamento, prima di rivolgerVi al servizio assistenza scollegate per almeno 5 sec. l'apparecchio dall'alimentazione elettrica estraendo la spina e collegatelo poi nuovamente. Nel caso in cui l'anomalia di funzionamento dovesse perdurare, rivolgersi al servizio d'assistenza.

DATI TECNICI

Altezza (cm)	Larghezza (cm)	Profondità (cm)	Ø del tubodi scarico (cm)
 61,9-114,7  70,6-114,7	89,8	45	15
 61,9-114,7  70,6-114,7	59,8	45	15

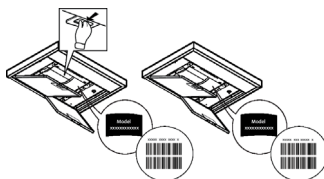


Componenti non in dotazione con il prodotto



Per scaricare le istruzioni di sicurezza, il manuale d'uso, la scheda tecnica e i dati energetici:

- Visitare il sito web docs.whirlpool.eu
- Usare il codice QR
- Oppure, **contattare il Servizio Assistenza** (al numero di telefono riportato sul libretto di garanzia). Quando si contatta il Servizio Assistenza, fornire i codici presenti sulla targhetta matricola del prodotto.



SEGURIDAD GENERAL

- Antes de llevar a cabo cualquier operación de limpieza o mantenimiento, desconectar la campana de la alimentación eléctrica desenchufando la clavija o desconectando el interruptor general de la vivienda.
- Para todas las operaciones de instalación y mantenimiento utilizar los guantes de trabajo.
- El aparato puede ser usado por niños mayores a 8 años y por personas con discapacidades físicas, sensoriales o mentales, o con falta de experiencia o de conocimiento necesario, previsto que estén bajo vigilancia o después de que las mismas hayan recibido instrucción relacionada con el uso seguro del aparato y de la comprensión de los peligros inherentes a éste.
- Los niños deben ser supervisados para asegurarse de que no jueguen con el aparato.
- La limpieza y el mantenimiento no deben ser realizados por niños sin debida supervisión.
- La habitación debe estar suficientemente ventilada cuando la campana se utiliza contemporáneamente con otros dispositivos a combustión de gas u otros combustibles.
- La campana debe ser limpiada con frecuencia, tanto internamente como externamente (POR LO MENOS UNA VEZ AL MES), en todo caso seguir lo que se indica expresamente en las instrucciones de mantenimiento.
- La inobservancia de las normas de limpieza de la campana y del cambio y la limpieza puede comportar riesgo de incendios.
- Es estrictamente prohibido flamear los alimentos bajo la campana.
- Para la sustitución de la lámpara sólo utilizar el tipo de lámpara indicado en la sección de mantenimiento/sustitución de este manual.

El uso de una llama libre es perjudicial para los filtros y puede provocar incendios, por lo tanto, debe evitarse en cualquier caso.

Los fritos debe realizarse con cuidado para evitar que el aceite caliente prenda fuego.

ATENCIÓN: Cuando la placa de cocción está funcionando las partes accesibles de la campana pueden calentarse.

- No conectar la unidad a la red eléctrica hasta que la instalación sea totalmente completada.
- En cuanto a las medidas técnicas y de seguridad a adoptar para la descarga de los humos, seguir estrictamente lo previsto por los reglamentos de las autoridades locales competentes.
- El aire aspirado no debe ser transportado en un conducto usado para la descarga de humos producidos por dispositivos de combustión a gas u otros combustibles.
- No utilizar ni dejar la campana sin las luces correctamente instaladas debido al posible riesgo de descarga eléctrica.
- No utilizar nunca la campana sin la rejilla montada correctamente!
- La campana NUNCA debe utilizarse como una superficie de apoyo a menos que así se indique específicamente.
- Utilizar sólo los tornillos para fijación suministrados con el producto para su instalación, o, si no se suministran, comprar el tipo correcto de tornillos. Utilizar la longitud correcta para los tornillos que se identifican en la Guía de instalación.
- En caso de duda, consultar el centro de asistencia autorizado o un similar personal calificado.

⚠ ¡ATENCIÓN!

- Si no se instalan los tornillos y elementos de fijación de acuerdo con estas instrucciones se puede incurrir en riesgos de naturaleza eléctricos.
- No utilizar con un programador, temporizador, mando a distancia separado o cualquier otro dispositivo que se active automáticamente.

Mantener a los niños menores de 3 años alejados del equipo. Sin la vigilancia constante de un adulto, mantener el equipo alejado del alcance de niños menores de 8 años.

⚠ **ATENCIÓN:** el equipo no está destinado para ser puesto en funcionamiento mediante un dispositivo externo o un sistema de mando a distancia separado.

⚠ Este equipo no está destinado al uso profesional. No utilizar el equipo al abierto.

⚠ Para evitar el riesgo de lesiones personales, el equipo debe ser movilizado e instalado por dos o más personas.

⚠ La instalación, incluye además eventuales empalmes para la alimentación hídrica (si están previstos) y las conexiones eléctricas, y las intervenciones de reparación deben ser realizadas por personal cualificado.

Al finalizar la instalación, conservar el material de embalaje (partes en plástico, polistireno, etc.) fuera del alcance de los niños para evitar el riesgo de asfixia. .

No utilizar el equipo cuando se está mojado o descalzo.

Nunca utilizar equipos para limpieza a vapor – riesgo de descarga eléctrica.

El material del embalaje es reciclable al 100% y está marcado con el símbolo de reciclaje



La campana puede ser diferente con respecto a los dibujos de este manual, aunque las instrucciones para su uso, la manutención y la instalación son las mismas.

Aténgase estrictamente a las instrucciones del presente manual. Se declina cada responsabilidad por eventuales inconvenientes, daños o incendios provocados al aparato originados por la inobservancia de las instrucciones colocadas en este manual. La campana extractora ha sido ideada para la aspiración de humos y vapores producidos durante la cocción y para el uso doméstico.

- Es importante guardar este manual para poder consultar si fuera necesario. En el caso de venta, de inutilidad o de mudanza, asegurarse que quede junto al producto.
- Leer atentamente las instrucciones: contiene importantes informaciones sobre la instalación, el uso y la seguridad.
- No realizar variaciones eléctricas o mecánicas en el producto o en el tubo de escape.
- Antes de instalar el aparato, controlar que todas sus partes no estén dañadas. En caso contrario llamar al revendedor y no realizar la instalación.

La distancia mínima entre la superficie de cocción y la parte más baja de la campana no debe ser inferior a 50cm en el caso de cocinas eléctricas y de 65cm en el caso de cocinas a gas o mixtas.

Si las instrucciones para la instalación del dispositivo para cocinar con gas especifican una distancia mayor, hay que tenerlo en consideración.

CONEXIÓN ELÉCTRICA

La tensión de red debe corresponder con la tensión indicada en la etiqueta colocada en el interior de la campana. Si es suministrada con un enchufe, conectar la campana a un enchufe conforme a las normas en vigor y colocarlo en una zona accesible, aun después de la instalación. Si no es suministrada con enchufe (conexión directa a la red) o clavija y no es posible situarla en un lugar accesible, aun después de la instalación, colocar un interruptor bipolar de acuerdo con las normativas, para asegurarse la desconexión completa a la red en el caso de la categoría de alta tensión III, conforme con las reglas de instalación.

⚠ ATENCIÓN!


Antes de reconectar el circuito de la campana a la red y de verificar el correcto funcionamiento, controlar siempre que el cable de red fue montado correctamente.

Si el cable no dispone de enchufe, conecte los cables tal como indica la siguiente tabla:

Tensión y frecuencia de la red eléctrica

Consultar el valor indicado en la etiqueta de características dentro de la campana.

Conexión por cable

 : amarillo/verde

N : azul

L : marrón

Sustitución del cable de alimentación

La campana está provista de un cable de alimentación especial; si el cable se daña, solicite uno nuevo al Servicio de Asistencia Técnica.

EXTRACCIÓN DE AIRE

(Para las versiones aspirantes) Conectar la campana en los tubos y en los orificios de escape de pared con diámetro equivalente a la salida del aire (brida de empalme).

El uso de tubos u orificios de escape de pared con diámetro inferior, determinará una reducción de los rendimientos de la aspiración y un drástico aumento del ruido.

Se deslinda responsabilidad.

- ! Utilice un conducto cuya longitud sea la mínima indispensable.
- ! Utilice un conducto con el menor número posible de curvas (ángulo máximo de la curva: 90°).
- ! Evite los cambios drásticos en la sección del conducto
- ! La empresa declina cada responsabilidad en caso de que estas normas no sean respetadas!

¿ FILTRANTE O ASPIRANTE ?

! Su campana extractora está lista para ser usada en versión aspirante.

Para utilizar la campana en versión filtrante se instala el KIT ACCESORIO.

Controle en las primeras paginas de este manual si el KIT ACCESORIO ya está proveído o si hay que comprarlo.

Nota: Si proveído, en algunos casos, el sistema de filtración añadido a base de carbones activos podría estar ya instalado en la campana.

Las informaciones para la transformación de la campana en versión aspirante a versión filtrante ya están presentes en este manual.

Versión aspirante

El vapor es evacuado hacia el exterior a través de un tubo de escape introducido en el aro de sujeción que se encuentra arriba de la campana.

ATENCIÓN!

El diámetro del tubo de escape debe ser igual al diámetro del aro de sujeción.

ATENCIÓN!

Si la campana está provista de filtro de carbón, hay que sacarlo.

Versión filtrante

El aire aspirado vendrá desgrasado y desodorizado antes de ser alimentado de nuevo en la habitación.

Para utilizar la campana en esta versión es necesario instalar un sistema de filtración adicional a base de carbón activado.

MANDOS

La campana está dotada de un panel de mandos con control de las velocidades de aspiración y control de encendido de la luz para la iluminación del plano de cocción.



T1



T2



T3

P

T4

ZEN

T5



T6



Motor del ventilador / Encendido/ Apagado 1ra velocidad



Motor del ventilador / Encendido/ Apagado 2da velocidad



Motor del ventilador / Encendido/ Apagado 3ra velocidad

P

Función "POWER BOOST" Encendida/ Apagada (controlada por tiempo)

Nota: la campana volverá a funcionar en la 3ra velocidad pasados cinco minutos.

ZEN

Funcionamiento "ZEN Mode" Función Encendida/Apagada

Nota: Esta función permite activar una velocidad de extracción con el equilibrio perfecto entre silencio y eficacia de extracción.

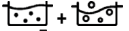


Luz principal Encendida/Apagada

ALARMA/REINICIO FILTRO GRASA/CARBÓN

A intervalos regulares, la campana indica la necesidad de realizar tareas de mantenimiento de los filtros.

Nota: Los indicadores solo funcionarán durante 40 segundos después de desconectar la velocidad del motor del ventilador.



parpadeando: Realizar el mantenimiento del filtro de grasa.



parpadeando: llevar a cabo el mantenimiento del filtro de carbón.

Nota: La alarma del filtro de carbón normalmente está desactivada, para activar: apague la campana y luego mantenga presionado



durante más de 3 segundos, ambas señales se iluminarán durante aproximadamente 3 segundos para indicar que la alarma del filtro de carbón está activada. Repita la operación para desactivar (ambas señales parpadean durante aproximadamente 3 segundos).

Restablecer los indicadores de saturación del filtro

Manténgalos presionados durante casi 3 segundos mientras parpadean.

MANTENIMIENTO

Limpeza

Para la limpieza, utilice **EXCLUSIVAMENTE** un paño impregnado de detergente líquido neutro. **¡NO UTILICE UTENSILIOS O INSTRUMENTOS PARA LA LIMPIEZA!** No utilice productos que contengan abrasivos. **¡NO UTILICE ALCOHOL! ¡NO UTILICE DESINFECTANTES NI PRODUCTOS QUE CONTENGAN CLORO!**

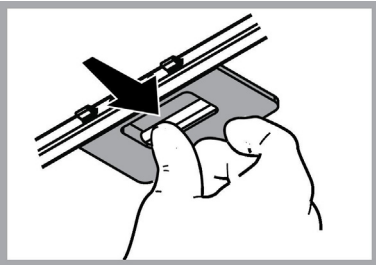
Mantenimientos de los filtros antigrasa

Retiene las partículas de grasa producidas cuando se cocina.

Debe limpiarse una vez al mes (o cuando el sistema de indicación de saturación de los filtros - si está previsto en el modelo que se posee - indica esta necesidad) con detergentes no agresivos, manualmente con un cepillo de cerdas suaves o bien en lavavajillas a bajas temperaturas y con ciclo breve.

Con el lavado en el lavavajilla el filtro antigrasa metálico puede desteñirse pero sus características de filtrado no cambian absolutamente.

Para desmontar el filtro antigrasa, tirar de la manija de desenganche de muelle.



Mantenimiento del filtro al carbón

Retiene los olores desagradables producidos por la cocción de alimentos.

El filtro de carbón activado se satura después de un tiempo de uso, dependiendo del tipo de cocción de alimentos y la regularidad con que se limpia el filtro de grasa. En cualquier caso es necesario sustituir el cartucho al menos cada 4 meses (o cuando el sistema de indicación de saturación de los filtros - si está previsto en el modelo que se posee - indica esta necesidad).

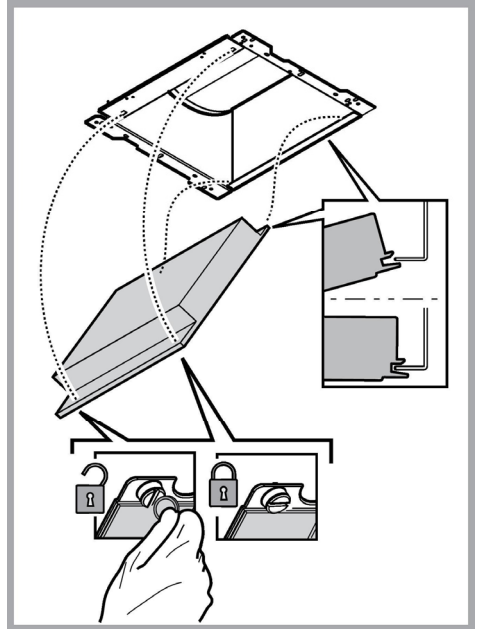
NO puede lavarse o reciclarse.

Montaje

Enganchar el filtro de carbón activo primero, posteriormente sobre la pestaña metálica de la campana, y después en la parte anterior con las dos perillas.

Desmontaje

Quitar el filtro de carbón activo girando 90° grados las perillas que lo fijan a la campana.



Sustitución de la lámpara

La campana viene provista de un sistema de iluminación basado en la tecnología LED.

Los LEDS garantizan una óptima iluminación, una duración hasta 10 veces mayor de las lámparas tradicionales y permiten aborrra el 90% de energía eléctrica. .


Para reemplazar las lámparas, contactar el centro de servicio autorizado para los repuestos.

ELIMINACIÓN

Este aparato lleva el marcado CE en conformidad con la Directiva 2012/19/EC del Parlamento Europeo y del Consejo sobre residuos de aparatos eléctricos y electrónicos (RAEE).

La correcta eliminación de este producto evita consecuencias negativas para el medioambiente y la salud.



El símbolo  en el producto o en los documentos que se incluyen con el producto, indica que no se puede tratar como residuo doméstico. Es necesario entregarlo en un punto de recogida para reciclar aparatos eléctricos y electrónicos.

Deséchelo con arreglo a las normas medioambientales para eliminación de residuos.

Para obtener información más detallada sobre el tratamiento, recuperación y reciclaje de este producto, póngase en contacto con su Municipalidad, con el servicio de eliminación de residuos urbanos o la tienda donde adquirió el producto.

Aparato diseñado, probado y fabricado de acuerdo con:

- Seguridad: EN/IEC 60335-1; EN/IEC 60335-2-31, EN/IEC 62233.
- Prestación: EN/IEC 61591; ISO 5167-1; ISO 5167-3; ISO 5168; EN/IEC 60704-1; EN/IEC 60704-2-13; EN/IEC 60704-3; ISO 3741; EN 50564; IEC 62301.
- EMC: EN 55014-1; CISPR 14-1; EN 55014-2; CISPR 14-2; EN/IEC 61000-3-2; EN/IEC 61000-3-3. Sugerencias para un uso correcto con el fin de reducir el impacto ambiental: Encienda la campana a la velocidad mínima cuando empiece a cocinar y mantenga en marcha durante unos minutos después de haber acabado de cocinar. Aumente la velocidad solo si se produjera una gran cantidad de humo y vapor y use la velocidad o velocidades turbo solo en situaciones extremas. Cambie el filtro o filtros de carbón cuando sea necesario para mantener un buen rendimiento en la reducción de los olores. Limpie el filtro o filtros de grasa cuando sea necesario para mantener un buen rendimiento del filtro de grasa. Utilice el diámetro máximo del sistema de conductos indicado en este manual, para optimizar el rendimiento y minimizar el ruido.





ANOMALÍAS DE FUNCIONAMIENTO

Si alguna pieza parece no funcionar, realice los siguientes controles antes de llamar al Servicio de Asistencia:

- Si la campana no funciona:
Compruebe que:
 - no haya interrupciones de corriente.
 - se haya seleccionado una velocidad.
- Si la campana presenta un rendimiento escaso:
Compruebe que:
 - La velocidad del motor seleccionada es suficiente para la cantidad de humo y vapores emitida.
 - La cocina está suficientemente ventilada para permitir una toma de aire.
 - el filtro de carbón no está gastado (campana en versión filtrante).
- Si la campana se ha apagado durante el funcionamiento normal:
Compruebe que:
 - no haya interrupciones de corriente.
 - el dispositivo de interrupción omnipolar no se ha disparado.

En caso de eventuales anomalías en el funcionamiento, antes de dirigirse al servicio de asistencia, desconectar el aparato de la alimentación eléctrica, extrayendo el enchufe al menos durante 5 segundos, y después conectarlo nuevamente. Si la anomalía de funcionamiento no desaparece, dirigirse al servicio de asistencia.

DATOS TÉCNICOS

Alto (cm)	Ancho (cm)	Fondo (cm)	Ø del tubo de salida (cm)
 61,9-114,7  70,6-114,7	89,8	45	15
 61,9-114,7  70,6-114,7	59,8	45	15

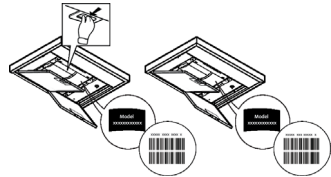


Componentes no suministrados con el producto



Puede descargarse las Instrucciones de seguridad, el Manual del usuario, la Ficha del producto y los Datos de energía:

- Visitando nuestra página web docs.whirlpool.eu
- Usando el código QR
- También puede, **ponerse en contacto con nuestro Servicio postventa** (Consulte el número de teléfono en el folleto de la garantía). Cuando se ponga en contacto con nuestro Servicio Postventa, deberá indicar los códigos que figuran en la placa de características de su producto.



SEGURANÇA GERAL

- Antes de fazer qualquer operação de limpeza ou de manutenção, deve-se desligar o exaustor da rede elétrica retirando a tomada ou desligando a alimentação da rede elétrica.
- Usar sempre luvas de trabalho para todas as operações de instalação e manutenção.
- Este aparelho pode ser usado por crianças a partir de 8 anos de idade e por pessoas com reduzidas capacidades físicas, sensoriais e mentais, ou falta de experiência e conhecimento, desde que sejam supervisionadas ou se tiverem recebido as necessárias instruções relativas ao uso em segurança do aparelho e que tenham conhecimento dos riscos envolvidos.
- As crianças não devem ser autorizadas a manipular os comandos ou a brincar com o aparelho.
- A limpeza e a manutenção não devem ser feitas por crianças sem supervisão.
- O local onde o aparelho será instalado, deve ser suficientemente ventilado, quando o exaustor for utilizado em conjunto com outros dispositivos de combustão de gás ou outros combustíveis.
- O exaustor deve ser limpo regularmente, interna e externamente (PELO MENOS UMA VEZ POR MÊS), respeitando expressamente as indicações no manual, nas instruções de manutenção.

- A inobservância das normas de limpeza do aparelho e da substituição e limpeza dos filtros comporta riscos de incêndio.
- É severamente proibido colocar alimentos diretamente na chama, sob o exaustor.
- Para a substituição da lâmpada, utilizar apenas o tipo de lâmpada indicado na secção de Manutenção/Substituição de lâmpadas deste manual.

O uso de chama livre causa danos aos filtros e pode originar incêndios, portanto, deve ser evitado em quaisquer circunstâncias.

Os alimentos fritos devem ser feitos sob controle, para evitar que o óleo sobreaqueça e se incendeie.

CUIDADO: Peças acessíveis do exaustor podem queimar quando utilizado com a placa de fogão.

- **Não ligar o aparelho à rede elétrica até que a instalação esteja totalmente concluída.**
- Relativamente às medidas técnicas e de segurança a serem adotadas para a descarga de fumos, é importante respeitar rigorosamente os regulamentos fornecidos pelas autoridades locais.
- O sistema de condutas deste aparelho não pode ser conectado a outro sistema de ventilação já existente que esteja a ser usado para qualquer outra finalidade, como descarga de fumos de aparelhos a gás ou outros combustíveis.
- Não utilizar ou deixar o exaustor sem lâmpadas corretamente montadas, devido ao possível risco de choques elétricos.
- Nunca utilizar o exaustor sem as grades montadas corretamente.
- O exaustor NUNCA deve ser utilizado como uma superfície de apoio, a menos que seja especificamente indicado.
- Usar somente os parafusos de fixação fornecidos com o aparelho, para a instalação, ou, se não for fornecido, comprar o tipo de parafuso correto.
- Usar o comprimento correto para os parafusos que são identificados no Guia de Instalação.
- Em caso de dúvida, consultar um centro de assistência autorizado ou técnico qualificado.

▲ ATENÇÃO!

- A falta de instalação de parafusos ou dispositivos de fixação em conformidade com estas instruções, pode resultar em riscos elétricos.

• Não utilizar com um programador, temporizador, telecomando separado ou qualquer outro dispositivo que se ativa automaticamente. Manter as crianças menores de 3 anos afastadas do aparelho. Quando não vigiadas por um adulto, as crianças menores de 8 anos devem ser mantidas afastadas do aparelho.

⚠ ATENÇÃO: o aparelho não deve ser operado mediante um dispositivo externo ou através dum sistema de comando à distância separado.

⚠ Este aparelho não se destina ao uso profissional. Não utilizar o aparelho ao ar livre.

⚠ Para evitar o risco de ferimentos pessoais, o aparelho deve ser movido e instalado por duas ou mais pessoas.

⚠ A instalação - incluindo também quaisquer conexões para fornecimento de água (caso previsto) e as ligações elétricas - e as operações de reparação devem ser realizadas por pessoal qualificado.

Uma vez concluída a instalação, o material de embalagem (peças de plástico, poliestireno, etc.) deve ser mantido fora do alcance das crianças para evitar o risco de asfixia. .

Não utilizar o aparelho quando estiver molhado ou descalço.

Nunca utilizar um aparelho de limpeza a vapor para limpar o aparelho - risco de choque elétrico.

O material de embalagem é 100% reciclável e está marcado com o símbolo da reciclagem



O exaustor pode ser esteticamente diferente do modelo ilustrado neste manual, no entanto as instruções de uso, manutenção e instalação são as mesmas.

Siga especificamente as instruções indicadas neste manual. Declina-se qualquer responsabilidade por eventuais inconvenientes, danos ou incêndios provocados ao aparelho, derivantes da inobservância das instruções indicadas neste manual. O exaustor foi concebido para a aspiração de fumos e vapores de cozedura e é destinado exclusivamente para uso doméstico.

- É importante conservar este manual para eventuais consultas futuras.
Em caso de venda ou mudança, certifique-se que o manual acompanha o produto.
- Leia cuidadosamente as instruções: apresentam importantes informações sobre a instalação, uso e segurança.
- Não efectue variações elétricas ou mecânicas no produto ou nos tubos de fuga.
- Antes de prosseguir com a instalação do aparelho, verifique se todos os componentes não estão danificados. Caso contrário, contacte o seu fornecedor e não prossiga com a instalação.

A distância mínima entre a superfície de suporte dos recipientes sobre o fogão e a parte mais baixa do exaustor não deve ser inferior a 50cm no caso de fogões elétricos e 65 cm no caso de fogões a gás ou combinados.

Se as instruções de instalação do fogão a gás especificarem uma distância maior, deve-se levar em conta esta indicação.

CONEXÃO ELÉTRICA

A voltagem da rede elétrica deve corresponder com a voltagem indicada na etiqueta das características, situada no interior do exaustor. Se dotado de ficha, conectar o exaustor a uma tomada, em conformidade com as normas vigentes, posta em zona acessível, mesmo depois da instalação. Se não tiver ficha (conexão direta à rede) ou a tomada não se encontrar numa zona acessível, mesmo depois da instalação, aplicar um interruptor bipolar, em conformidade com a norma que assegure a desconexão completa da rede nas condições da categoria de sobretensão III, de acordo com as regras de instalação.

⚠ ATENÇÃO!


Antes de conectar novamente o circuito do exaustor com a alimentação elétrica, verificar o seu funcionamento, e verificar se o cabo de rede está montado corretamente.

Se o cabo não estiver equipado com uma ficha, ligue os cabos de acordo com a tabela seguinte:

Tensão da rede elétrica e frequência

Consultar o valor indicado na etiqueta de características no interior do exaustor.

Ligação de cabo

 : amarelo/verde

N : azul

L : castanho

Substituição do cabo de alimentação

O exaustor está equipado com um cabo de alimentação especial; no caso do cabo ficar danificado, efetuar um pedido ao serviço de assistência técnica.

SAÍDA DO AR

(para as versões aspirantes)

Conectar o exaustor aos tubos e orifícios de descarga da parede com diâmetro equivalente à saída de ar (falange de união).

O uso de tubos ou orifícios de descarga de parede com diâmetro inferior, pode provocar a diminuição do desempenho de aspiração e um drástico aumento do ruído.

Não nos responsabilizamos a este respeito.

- ! Utilizar um tubo condutor com comprimento não inferior ao indicado.
- ! Utilizar um tubo condutor com o menor número possível de curvas (ângulo máximo da curva: 90°C).
- ! Evitar alterações drásticas da secção do tubo (diâmetro).
- ! Caso estas normas não sejam respeitadas a empresa declina qualquer responsabilidade.

FILTRANTE OU ASPIRANTE ?

! O seu exaustor está pronto para ser utilizado na versão aspirante.

Para utilizar o exaustor na versão filtrante deve ser instalado um KIT ACESSÓRIO apropriado.

Verifique nas primeiras páginas deste manual se o KIT ACESSÓRIO já vem fornecido ou se deve ser comprado separadamente.

Nota: Se for fornecido com o equipamento, em alguns casos, o sistema de filtragem adjunta à base de carvão activo pode já estar instalado no exaustor.

As informações para a transformação do exaustor da versão aspirante à versão filtrante já estão contidas neste manual.

Versão aspirante

Os vapores são evacuados para o exterior, por meio de um tubo de descarga fixado à falange de conexão que se encontra sobre o exaustor.

⚠ ATENÇÃO!

O diâmetro do tubo de descarga deve ser equivalente ao diâmetro do anel de conexão.

⚠ ATENÇÃO!

Se o exaustor for dotado de filtros de carvão ativo, estes deverão ser retirados.

Versão filtrante

O ar aspirado será desengordurado e desodorizado antes de ser recanalizado de volta para o ambiente.

Para usar o exaustor nesta versão é necessário instalar um sistema de filtragem adicional à base de carvão ativado.

COMANDOS

O exaustor vem equipado com um painel de comandos com um controlo de velocidade de aspiração e um controlo para acender a luz de iluminação do plano de cozedura.



T1



T2



T3



T4



T5



T6



Motor da Ventoinha / LIGAR/DESLIGAR 1.ª velocidade



Motor da Ventoinha / LIGAR/DESLIGAR 2.ª velocidade



Motor da Ventoinha / LIGAR/DESLIGAR 3.ª velocidade



Função "POWER BOOST" (temporizada)
Nota: o exaustor voltará à 3.ª velocidade após cinco minutos.



Função do funcionamento "ZEN Mode" LIGAR/DESLIGAR
Nota: Esta função permite ativar uma velocidade de extração que oferece o equilíbrio ideal entre silêncio e eficiência de extração.






LIGAR/DESLIGAR luz principal


ALARME/RECONFIGURAÇÃO DOS FILTROS DE GORDURA/CARVÃO

A intervalos regulares, o exaustor sinaliza a necessidade de se efetuar a manutenção dos filtros.

Nota: Os indicadores irão funcionar apenas durante 40 segundos após DESLIGAR a velocidade do motor da ventoinha.

 +  a piscar: realize a manutenção do filtro de gordura.

 + **P** a piscar: efetuar a manutenção do filtro de carvão.

Nota: o alarme do filtro de carvão está normalmente desligado, para ativar: desligue o exaustor e depois prima e mantenha premidos  +

P durante mais de 3 segundos, ambos os sinais acendem-se durante 3 segundos para indicar que o alarme do filtro de carvão está ligado.

Repita a operação para desligar (ambos os sinais piscam durante cerca de 3 segundos).

Reposição dos indicadores de saturação do filtro

Prima e mantenha premidos os sinais durante quase 3 segundos enquanto estes estiverem a piscar.

MANUTENÇÃO

Limpeza

Para a limpeza, utilizar um pano humedecido com detergentes líquidos neutros. Evitar o uso de produtos contendo abrasivos.

NÃO UTILIZE ALCOOL!

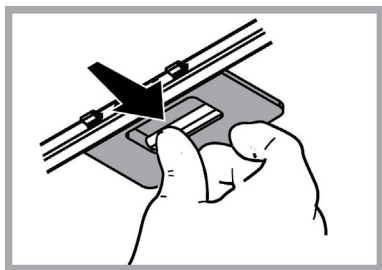
Manutenção dos filtros anti-gordura

Capta as partículas de gordura provenientes da cozedura.

O Filtro de gordura deve ser limpo uma vez por mês (ou quando o sistema de indicação da saturação dos filtros - se previsto no modelo adquirido - indicar esta necessidade), com detergentes não agressivos. O filtro pode ser lavado manualmente ou em máquina de lavar louça a baixas temperaturas e com ciclo breve.

O filtro metálico para a gordura pode perder cor com as lavagens na máquina da louça, mas suas características de filtração não se alteram.

Para desmontar o filtro antigordura puxe o puxador de libertação com mola.



Manutenção do filtro a carvão

Retém os odores desagradáveis produzidos durante a preparação de alimentos.

A saturação do filtro de carvão activado se verifica após um uso mais ou menos prolongado em função do tipo de cozinha e da regularidade da limpeza do filtro de gorduras. Em todo caso, é necessário substituir o cartucho no máximo cada 4 meses (ou quando o sistema de indicação da saturação dos filtros - se previsto no modelo que se possui - indicar esta necessidade).

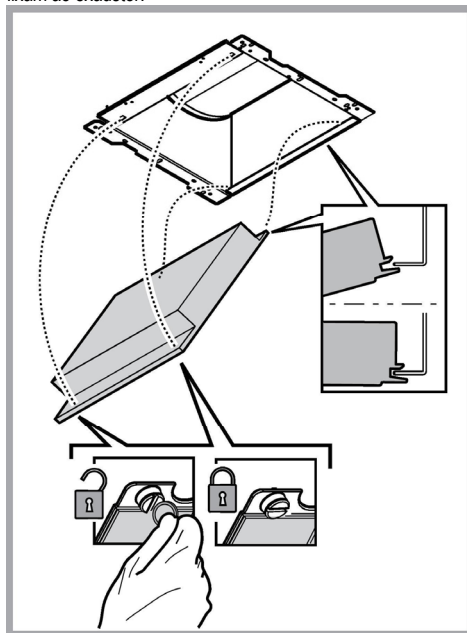
NÃO pode ser lavado ou regenerado.

Montagem:

Coloque o gancho do filtro de carvão ativo, primeiro na parte de trás da lingueta metálica do exaustor e depois na parte dianteira com os dois botões.

Desmontagem:

Remova o filtro de carvão ativo rodando 90° os botões que o fixam ao exaustor.



Substituição das lâmpadas

A coifa é dotada de um sistema de iluminação baseada na tecnologia LED.

Os LED garantem uma iluminação melhor e uma duração de até 10 vezes maior que as lâmpadas tradicionais e economizam 90% de energia elétrica.


Para a substituição das lâmpadas, contatar o centro de serviço autorizado de peças de reposição.

ELIMINAÇÃO

Este aparelho está classificado de acordo com a Diretiva Europeia 2012/19/EC sobre Resíduos de equipamento elétrico e eletrónico (REEE).

Ao garantir a eliminação adequada deste produto, estará a ajudar a evitar potenciais consequências negativas para o ambiente e para a saúde pública, que poderiam derivar de um manuseamento de dispersão inadequada deste produto.



O símbolo  no produto ou nos documentos que acompanham o produto, indica que este aparelho não pode receber um tratamento semelhante ao de uma dispersão doméstica.

Pelo contrário, deverá ser depositado no respectivo centro de recolha para a reciclagem de equipamento elétrico e eletrónico.

A eliminação deverá ser efetuada em conformidade com as normas ambientais locais para a eliminação de desperdícios.

Para obter informações mais detalhadas sobre o tratamento, a recuperação e a reciclagem deste produto, contate o Departamento na sua localidade, o seu serviço de eliminação de desperdícios domésticos ou a loja onde adquiriu o produto.

Aparelho projetado, testado e fabricado de acordo com:

- Segurança: EN/IEC 60335-1; EN/IEC 60335-2-31, EN/IEC 62233.
- Desempenho: EN/IEC 61591; ISO 5167-1; ISO 5167-3; ISO 5168; EN/IEC 60704-1; EN/IEC 60704-2-13; EN/IEC 60704-3; ISO 3741; EN 50564; IEC 62301.
- EMC: EN 55014-1; CISPR 14-1; EN 55014-2; CISPR 14-2; EN/IEC 61000-3-2; EN/IEC 61000-3-3. Sugestões para uma utilização correta, de modo a reduzir o impacto ambiental: LIGUE o exaustor na velocidade mínima quando começar a cozinhar e mantenha-o em função por mais alguns minutos após ter terminado. Aumente a velocidade somente em caso de muito fumo ou vapor e use as velocidades altas somente em situações extremas. Substitua o(s) filtro(s) a carvão quando necessário, para manter uma boa eficiência na redução dos odores. Limpe o(s) filtro(s) de gordura quando necessário para manter uma boa eficiência. Use o diâmetro máximo do sistema de condutas indicado neste manual para otimizar a eficiência e minimizar o ruído.





ANOMALIAS DE FUNCIONAMENTO

Se algo parece não funcionar, antes de contactar o Serviço de Assistência efectuar seguintes controlos simples:

- Se o exaustor não funcionar:
Verificar que:
 - não há interrupção de corrente.
 - foi seleccionada uma velocidade.
- Se o exaustor tiver uma performance fraca:
Verificar que:
 - A velocidade do motor seleccionada é suficiente para a quantidade de fumo e vapores libertada.
 - O fogão é suficientemente arejado para permitir uma tomada de ar.
 - O filtro de carvão não está gasto (exaustor em versão filtrante).
- Se o exaustor desligar durante o funcionamento normal:
Verificar que:
 - não há interrupção de corrente.
 - o dispositivo de corte omnipolar não disparou.

Se o exaustor não funcionar correctamente, retirar a ficha para desligá-lo por um breve período da rede eléctrica principal (pelo menos 5 seg.). Em seguida colocar novamente a ficha e experimentar mais uma vez antes de contactar o Serviço de assistência técnica. Se o problema de funcionamento persistir, contacte o serviço de assistência.

DADOS TÉCNICOS

Altura (cm)	Largura (cm)	Profundidade (cm)	Ø do tubo de escape (cm)
 61,9-114,7  70,6-114,7	89,8	45	15
 61,9-114,7  70,6-114,7	59,8	45	15

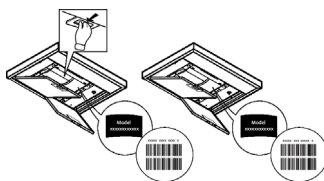


Componentes não fornecidas com o produto.



Pode transferir as Instruções de Segurança, o Manual do Utilizador, a Ficha do Produto e os Dados Energéticos:

- Visitando o nosso website docs.whirlpool.eu
- Utilizando o código QR
- Em alternativa, **contacte o nosso Serviço Pós-venda** (através do número de telefone contido no livrete da garantia). Ao contactar o nosso Serviço Pós-Venda, indique os códigos fornecidos na placa de identificação do seu produto.



ОБЩА БЕЗОПАСНОСТ

- Преди каквато и да било операция, свързана с почистването или поддръжката, изключете аспиратора от ел. мрежата, като извадите щепсела от контакта или изключите главния прекъсвач в жилището.
 - При извършване на всички операции свързани с инсталирането и поддръжката, използвайте работни ръкавици.
 - Уредът може да бъде използван от деца на възраст не по-ниска от 8 години и от лица с ограничени физически, сетивни или умствени възможности или хора без опит или необходимите познания, но при условие че са под наблюдение или след като са получили необходимите инструкции за безопасно използване на уреда и свързаните с него опасности.
 - Не позволявайте на децата да си играят с уреда!
 - Почистването и поддръжката не трябва да се извършва от деца без наблюдението на възрастен.
 - Помещението трябва да разполага с достатъчна вентилация когато аспираторът се използва едновременно с други уреди на газ или друг вид гориво.
 - Аспираторът трябва да се почиства често както отвътре така и отвън (ПОНЕ ВЕДНЪЖ В МЕСЕЦА).
 - Придържайте се към инструкциите посочени в наръчника за поддръжка!
 - Неспазването на инструкциите за почистване на аспиратора и за подмяна и почистване на филтрите води до риск от пожар.
 - Строго забранено е приготвянето на ястия фламбе под аспиратора.
 - За да подмените лампите, използвайте само тези, които са посочени в раздел „Поддръжка/подмяна на лампите“, както е посочено в настоящия наръчник за експлоатация.
- Използването на открит пламък е вредно за филтрите и може да предизвика пожар, затова трябва на всяка цена да се избягва.
- Приготвянето на пържени храни трябва да се извършва под наблюдение, тъй като сгорешеното олио може да се възпламени.
- ВНИМАНИЕ:** Когато готварският плот работи, достъпните части на аспиратора могат да се нагорещат.
- Не свързвайте уреда към ел. мрежата докато не сте приключили окончателно с монтажа.
 - Що се отнася до техническите размери и мерките за безопасност, които трябва да предприемете за отвеждането на димните газове навън, Ви препоръчваме да се придържате стриктно към правилата, предвидени в регламентите на компетентните местни власти.
 - Аспирираният въздух не трябва да се насочва към тръбопроводите, които се използват за отвеждане на димните газове, отделящи се при използването на уреди работещи с газ или друг вид гориво.
 - Не използвайте и не оставяйте аспиратора без правилно монтирани лампички поради евентуален риск от токов удар.
 - Никога не използвайте аспиратора без правилно монтирана решетка!
 - Аспираторът не трябва НИКОГА да се използва като опорен плот освен ако това не е специално указано.
 - При монтажа използвайте само фиксиращите болтове, които са доставени заедно с уреда или ако няма такива, закупете подходящи болтове.

- Използвайте болтове с подходяща дължина, както е посочено в наръчника за инсталиране.
- При наличие на съмнения, моля свържете се с оторизирания сервиз за техническо обслужване или квалифициран персонал.

⚠ ВНИМАНИЕ!

- Неинсталирането на болтовете и механизмите за фиксиране в съответствие с настоящите инструкции може да доведе до рискове от електрическо естество.
- Не използвайте с програматор, таймер, отделно дистанционно управление или каквото и да е друго устройство, което се активира автоматично.

Дръжте децата под 3 годишна възраст далеч от уреда. Без непрекъснато наблюдение на възрастен, съхранявайте уреда далеч от деца на възраст под 8 години.

⚠ ВНИМАНИЕ: уредът не е предназначен да функционира чрез външно устройство или отделна система за дистанционно управление.

⚠ Този уред не е предназначен за професионална употреба. Не използвайте уреда на открито.

⚠ За да избегнете риск от нараняване на хора, този уред трябва да бъде преместван и инсталиран от двама или повече човека.

⚠ Инсталирането, включващо евентуални съединения за водно захранване (ако е предвидено), електрически свързвания, и операциите, свързани с ремонт трябва да се извършват от квалифициран персонал.

Като приключи инсталирането, съхранявайте опаковъчния материал (пластмасови части, полистирол и т.н.) далеч от деца, за да се избегне риск от задушаване. .

Не използвайте уреда, когато сте мокри или с боси крака.

Никога не използвайте парочистачки за почистване – риск от токов удар.



Опаковъчният материал се рециклира на 100% и е маркиран със символа за рециклиране

Аспираторът може да се различава външно от чертежите поместени в настоящото упътване, но независимо от това инструкциите за употреба, поддръжката и инсталирането са абсолютно същите.

Придържайте се стриктно към тук посочените инструкции. Фирмата не носи отговорност за евентуални неизправности, повреди или възпламеняване на уреда, възникнали в резултат на неспазване на инструкциите в настоящото упътване. Аспираторът е проектиран за аспириране на дима и парата, които се отделят при готвене, и е предназначен само за битова употреба.

- Съветваме Ви да съхранявате настоящото упътване за да може да го използвате във всеки един момент. При продажба, отдаване под наем или преместване, упътването за употреба трябва да остане заедно с продукта.
- Прочетете внимателно инструкциите! Те съдържат важна информация относно инсталирането, употребата и мерките за безопасност.
- Забранено е нанасянето на електрически или механически изменения върху продукта и върху въздуховодните тръби!
- Преди да пристъпите към инсталирането на уреда, уверете се, че няма увредени части. Ако има такива, свържете се с търговския представител и не пристъпвайте към инсталиране.

Минималното разстояние между повърхността, на която се поставят съдовете за готвене и най-ниската част на кухненския аспиратор, трябва да бъде не по-малко от 50cm в случай на електрически печки и не по-малко от 65cm, в случай на газови или комбинирани печки.

Ако в инструкциите на газовия уред за готвене е посочено по-голямо разстояние, то трябва да се има предвид.

ЕЛ. СВЪРЗВАНЕ

Напрежението в ел.мрежата трябва да отговаря на напрежението, което е посочено върху етикета с данните за аспиратора, поставен от вътрешната му страна. Ако е снабден с щепсел свържете аспиратора към контакт, съответстващ на действащите норми и намиращ се на лесно достъпно място дори и след приключване на монтажа. Ако не е снабден с щепсел (директно свързване към мрежата), или щепселът не е на достъпно място след приключване на монтажа, използвайте двуполусен прекъсвач според нормите, така че да се осигури пълно изключване на мрежата при свръхнапрежение III, в съответствие с правилата за монтиране.

⚠ ВНИМАНИЕ!

Преди да свържете отново аспиратора към мрежата и да проверите дали функционира правилно, проверете дали кабелът е

мантиран както трябва.

Ако кабелът не е оборудван с щепсел, свържете проводниците съгласно следната таблица:

Напрежение и честота на мрежата

Направете справка със стойността, посочена на етикета с характеристики вътре в аспиратора.

Свързване на кабелите



: жълт/зелен

N : син

L : кафяв

Подмяна на захранващия кабел

Аспираторът е снабден със специален кабел за захранване; в случай, че кабелът бъде увреден обърнете се към гаранционния сервис за да получите нов.

ОТВЕЖДАНЕ НА ВЪЗДУХА

(за аспирираща версия)

Свържете аспиратора към въздуховодни тръби и отвори в стената. Диаметърът на тръбите трябва да съответства на диаметъра на съединителния фланец за отвеждане на въздуха.

Свързването към въздуховодни тръби и отвори с по-малък диаметър намалява капацитета на аспириране и увеличава значително шума по време на работа.

В тези случаи фирмата не поема никаква отговорност.

! Използвайте тръба с необходимата дължина.

! Използвайте тръба с възможно най-малко тръбни колена (с максимален ъгъл на извивка: 90°).

! Не променяйте рязко сечението на тръбите!

! Фирмата не поема никаква отговорност в случай на неспазване на настоящите норми.

ФИЛТРИРАЩА ИЛИ АСПИРИРАЩА ВЕРСИЯ?

! Аспираторът е готов за употреба във вариант на аспирираща версия.

За да използвате аспиратора във вариант на филтрираща версия е необходимо да инсталирате специалния ДОПЪЛНИТЕЛЕН КОМПЛЕКТ.

В началото на настоящия наръчник е посочено дали ДОПЪЛНИТЕЛНИЯТ КОМПЛЕКТ е доставен или трябва да бъде закупен отделно.

Бележка: Ако комплектът е вече доставен, имайте предвид, че в някои случаи допълнителната филтрираща система на базата на филтри с активен въглен може вече да е инсталирана върху аспиратора.

Информацията относно трансформирането на аспиратора от аспирираща във филтрираща версия се съдържа в настоящото ръководство.

Аспирираща версия

Парата се отвежда навън посредством въздуховодна тръба свързана със съединителния фланец.

⚠ ВНИМАНИЕ!

Въздуховодната тръба не е включена към аксесоарите и трябва да бъде закупена отделно.

Диаметърът на въздуховодната тръба трябва да отговаря на диаметъра на съединителния пръстен.

⚠ ВНИМАНИЕ!

Ако аспираторът е снабден с филтри с активен въглен, въпросните трябва да бъдат отстранени.

Филтрираща версия

Аспирираният въздух се пречиства и освежава преди да влезе отново в обръщение в помещението. За да използвате аспиратора в този вариант на работа трябва да инсталирате допълнителна филтрираща система на базата на филтри с активен въглен.

КОМАНДИ

Аспираторът е снабден с командно табло с възможност за регулиране скоростта на аспириране и превключвател на осветлението на готварския плот.



T1



T2



T3

P

T4

ZEN

T5



T6



Мотор на вентилатора / ВКЛ./ИЗКЛ. 1-ва скорост



Мотор на вентилатора / ВКЛ./ИЗКЛ. 2-ра скорост



Мотор на вентилатора / ВКЛ./ИЗКЛ. 3-та скорост

P

ВКЛ./ИЗКЛ. на функцията "POWER BOOST" (управлявана с таймер)

Забележка: след пет минути аспираторът ще се върне в режим на работа на 3-та скорост.

ZEN

ВКЛ./ИЗКЛ. на работен режим "ZEN" Забележка: Тази функция включва скорост на екстракция с перфектен баланс между безшумна работа и ефективност на екстракцията.

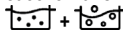


ВКЛ./ИЗКЛ. на основното осветление

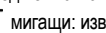
НУЛИРАНЕ НА АЛАРМАТА ЗА ФИЛТЪРА ЗА МАЗНИНИ/ФИЛТЪРА С АКТИВЕН ВЪГЛЕН

На равни интервали от време аспираторът сигнализира за нужда от обслужване на филтъра.

Забележка: След изключване на мотора на вентилатора индикаторите ще работят само за 40 секунди.



+




мигащи: извършете обслужване на филтъра за мазнини.



P

мигащи: извършете обслужване на филтъра с активен въглен.

Забележка: по принцип, алармата за филтъра с активен въглен е деактивирана; за да я активирате: изключете аспиратора и

натиснете и задръжте за повече от 3 секунди  + P; и двата индикатора ще светнат за около 3 секунди, за да потвърдят, че алармата за филтъра е активирана. Повторете стъпките, за да деактивирате алармата (и двата индикатора премигват за около 3 секунди).

Нулиране на индикаторите за насищане на филтрите

Натиснете и задръжте за около 3 секунди индикаторите, докато премигват.

ПОДДРЪЖКА

Почистване

За почистването използвайте **ЕДИНСТВЕНО** кърпа, навлажнена с неутрални течни почистващи препарати. **НЕ ИЗПОЛЗВАЙТЕ ИНСТРУМЕНТИ ИЛИ ПРИБОРИ ЗА ПОЧИСТВАНЕ!**

Избягвайте препарати, които съдържат абразивни частици. **НЕ ИЗПОЛЗВАЙТЕ СПИРТ!**

Поддръжка на филтрите за мазнини

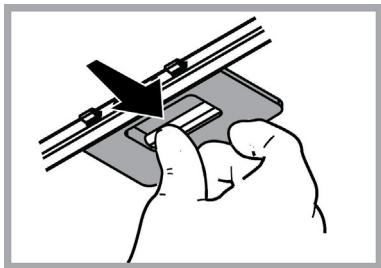
Филтърът задържа мазните частици, отделени при готвене.

Да се почиства веднъж месечно или когато индикаторът за пренасищане на филтрите го показва (разбира се в случай, че моделът, който сте закупили е снабден с такъв индикатор).

Използвайте не много силни миялни препарати и почиствайте ръчно или в съдомиялна машина, но на ниска температура и кратък режим на измиване.

При миене на металния филтър за мазнините в съдомиялната машина е възможно той да се обезцвети, но това по никакъв случай не намалява възможностите му за филтриране.

За да разглобите филтъра за мазнините, дръпнете дръжката с пружинен механизъм.



Поддръжка на филтъра с активен въглен

Задържа неприятните миризми, които се отделят при пържене.

Филтърът с активен въглен се запушва приблизително след дълъг период на използване в зависимост от начина на готвене и от това колко често почиствате филтъра.

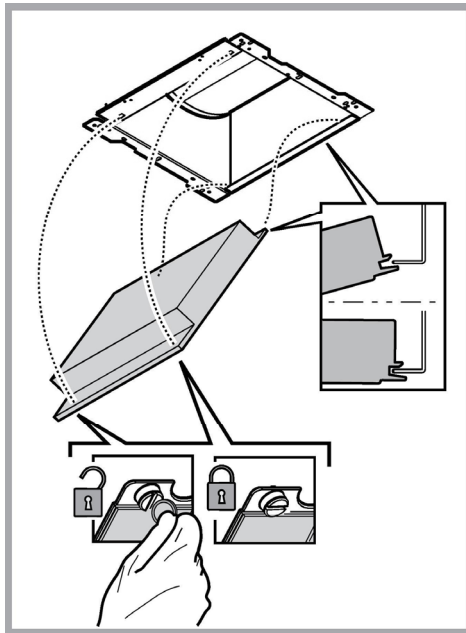
Във всеки случай е необходимо да подмените филтъра с активен въглен на всеки четири месеца или когато индикаторът за насищане на филтрите (разбира се ако вашият модел разполага с такъв) показва, че е необходимо. Не се мие нито може да се използва повторно.

Монтиране

Фиксирайте филтъра с активен въглен най-напред от задната страна върху металното езиче на аспиратора и след това от лицевата страна с помощта на двете кръгли ръкохватки.

Демонтиране

Филтърът с активен въглен се демонтира като се завъртят на 90° кръглите ръкохватки, които го придържат към аспиратора.



Подмяна на лампите

Аспираторът разполага с осветителна система със **СВЕТОДИОДИ**.

СВЕТОДИОДИТЕ гарантират оптимално осветление, до 10 пъти по-силно от традиционните лампи и позволяват 90% икономия на електроенергия.

За да подмените лампите, моля свържете с оторизирания сервиз за резервни части.


РЕЦИКЛИРАНЕ

Този уред отговаря на изискванията на :

- Европейската директива 2012/19/EC
- Waste Electrical and Electronic Equipment (WEEE).

Уверявайки се, че този уред ще бъде рециклиран по подобаващият за това начин, Вие допринасяте за опазването на околната среда и вашето здраве.



Символът  върху уреда или в придружаващата го документация посочва, че този продукт не трябва да бъде считан за домашен отпадък, а трябва да бъде предаден в специално предназначени за това пунктове за рециклиране на електрическа и електронна техника. Придържайте се към местните нормативи за преработка на отпадъци. За по-подробна информация във връзка с предаването, събирането и рециклирането на този продукт ви съветваме да се обърнете към компетентните местни служби, службите за събиране на домашни отпадъци или магазинът, в който сте закупили този ел. уред.

Уредът е проектиран, тестван и произведен в съответствие с:

- Безопасност: EN/IEC 60335-1; EN/IEC 60335-2-31, EN/IEC 62233.
- Работни характеристики: EN/IEC 61591; ISO 5167-1; ISO 5167-3; ISO 5168; EN/IEC 60704-1; EN/IEC 60704-2-13; EN/IEC 60704-3; ISO 3741; EN 50564; IEC 62301.

- EMC - Електромагнитна съвместимост: EN 55014-1; CISPR 14-1; EN 55014-2; CISPR 14-2; EN/IEC 61000-3-2; EN/IEC 61000-3-3.

Предложения за правилна употреба, за да се намали въздействието върху околната среда: Включете (ON) аспиратора на минимална скорост, когато започнете да готвите и го оставете да работи няколко минути след приключване на готвенето. Увеличавайте скоростта само в случай на голямо количество дим и пари и използвайте увеличените скорости само в екстремни ситуации. Сменяйте филтъра/филтрите с активен въглен, когато е необходимо, за да поддържате добра ефективност на намаляване на миризмата. Почиствайте филтъра/филтрите за мазнини, когато е необходимо, за да поддържате добра ефективност на филтъра за мазнините. Използвайте максималния диаметър на системата за отвеждане на въздуха, посочен в това ръководство за оптимизиране на ефективността и за намаляване на шума.

НЕИЗПРАВНОСТ ВЪВ ФУНКЦИОНИРАНЕТО

Ако нещо не функционира както трябва, преди да се свържете с Техническото обслужване, направете някои семпли проверки:

- Ако аспираторът не функционира:

Проверете дали:

- не е прекъснал тока;
- е зададена някаква скорост.

- Ако аспираторът не засмуква достатъчно:

Проверете дали:

- Избраната скорост е подходяща в зависимост от отделеното количество дим и пара.
- Дали кухнята се проветрява достатъчно, за да се осигури обмяна на въздуха.
- Филтърът с активен въглен не е износен (филтрираща версия).



- Ако аспираторът е изгаснал по време на работа:

Проверете дали:

- не е прекъснал тока;
- многополюсният прекъсвач не е изключил.

В случай на неизправност във функционирането, преди да се обърнете към техническия сервиз, изключете аспиратора от мрежата най-малко за 5 секунди, като извадите щепсела, след което го свържете отново. В случай, че неизправността все още е налице, обърнете се към гаранционния сервиз.

ТЕХНИЧЕСКИ ДАННИ

Височина (cm)	Широчина (cm)	Дълбочина (cm)	Ø на изпускателната тръба (cm)
 61,9-114,7  70,6-114,7	89,8	45	15
 61,9-114,7  70,6-114,7	59,8	45	15

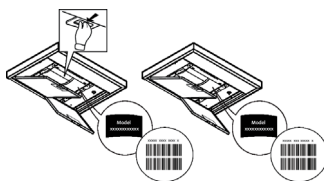


Компоненти, които не са включени към продукта



Можете да свалите инструкциите за безопасност, ръководството за потребителя и листовката с енергийните показатели на уреда, като:

- Посетите нашия уебсайт docs.whirlpool.eu
- Използвате QR кода
- Освен това можете да се свържете с отдела за следпродажбено обслужване (вижте телефонния номер в книжката за гаранцията). При контакт с отдела за следпродажбено обслужване на клиенти съобщавайте кодовете, посочени на заводската табелка на Вашия уред.



VŠEOBECNÁ BEZPEČNOSTNÍ OPATŘENÍ

- Před jakýmkoli čištěním či údržbou odpojte digestoř z elektrické sítě odpojením ze zásuvky nebo vypnutím hlavního domovního vypínače.
- Při jakýchkoli úkonech spojených s instalací či údržbou používejte ochranné rukavice.
- Tento přístroj mohou používat děti starší 8 let a osoby se sníženými tělesnými, smyslovými či duševními schopnostmi nebo osoby bez patřičných zkušeností a znalostí, pouze pokud jsou pod neustálým dozorem nebo byly poučeny o bezpečném použití výrobku a jsou si vědomy rizik spojených s jeho použitím.
- Je nutné se ujistit, zda si děti nehrají se zařízením.
- Čištění a údržba nesmí být prováděna dětmi bez dozoru.
- Místnost musí být dostatečně větraná, pokud je digestoř používána společně s jinými spalovacími zařízeními na plyn či jiná paliva.
- Vnitřní a vnější části digestoře musí být často čištěny (NEJMÉNĚ JEDNOU ZA MĚSÍC), za dodržení výslovných pokynů uvedených v návodu k údržbě.
- Při nedodržení pokynů pro čištění digestoře a výměnu a čištění filtrů hrozí nebezpečí požáru.
- Je přísně zakázáno připravovat pod digestoři pokrmy na ohni.
- Při výměně žárovky používejte pouze typ žárovky uvedený v tomto návodu, v části věnované údržbě/výměně žárovek.

Použití otevřeného ohně může poškodit filtry a způsobit požáry, proto oheň nesmí být nikdy používán.

Zvýšenou pozornost je nutné věnovat smažení, protože přehřátý olej by se mohl vznítit.

POZOR: Pokud je varná deska v provozu, přístupné části digestoře se mohou stát velmi teplými.

- Nepřipojujte přístroj k elektrické síti, dokud instalace nebude zcela ukončena.
- Nepřipojujte přístroj k elektrické síti, dokud instalace nebude zcela ukončena.
- Co se týče technických a bezpečnostních opatření pro odvod kouře, postupujte přesně podle předpisů příslušných místních orgánů.
- Odsávaný vzduch musí být odváděn do potrubí používaného pro odtah kouřů vznikajících při použití spalovacích zařízení na plyn či jiná paliva.
- Nepoužívejte a nenechávejte digestoř bez správně instalovaných žárovek, jelikož hrozí nebezpečí úrazu elektrickým proudem.
- Nikdy nepoužívejte digestoř bez správně namontované mřížky!
- Digestoř nesmí být NIKDY používána jako opěrná plocha, pokud pro tento účel není výslovně určena.
- Při instalaci používejte pouze úchytné šrouby dodané z výrobkem.
- Pokud šrouby nejsou součástí vybavení, zakupte správný typ šroubů. Používejte šrouby se správnou délkou, podle pokynů v Návodu pro instalaci.
- V případě pochyb se obraťte na pověřený servis nebo se poraďte s odborným personálem.


▲ POZOR!

- V případě chybějící instalace šroubů a úchytných prvků dle pokynů uvedených v tomto návodu může dojít k vzniku nebezpečí elektrické povahy.
- Nepoužívejte s programátorem, časovým spínačem, samostatným dálkovým ovládním nebo jiným zařízením, které se aktivuje automaticky.

Uchovávejte spotřebič mimo dosah dětí mladších 3 let. Bez stálého dohledu dospělá osoba uchovávejte mimo dosah dětí mladších 8 let.

- ▲ UPOZORNĚNÍ:** spotřebič není určen ke spuštění externím zařízením nebo odděleným dálkovým ovládaním.
 - ▲** Tento spotřebič není určen pro profesionální použití. Nepoužívejte spotřebič na otevřeném prostranství.
 - ▲** Aby nedošlo k poranění osob, musí být spotřebič přemístěn a nainstalován dvěma nebo více osobami.
 - ▲** Instalace, včetně případných přípojek na vodu (pokud jsou k dispozici) a elektrických přípojek, jakož i opravy musí provádět kvalifikovaný personál.
- Po dokončení instalace uložte obalový materiál (plastové díly, polystyren, atd) mimo dosah dětí, aby se zabránilo riziku udušení. .

Nepoužívejte přístroj, pokud jste mokří nebo naboso.
Nikdy nepoužívejte parní čistící přístroje - nebezpečí úrazu elektrickým proudem.

Obalový materiál je 100% recyklovatelný a je označen symbolem recyklace 

Digestoř může mít odlišný vzhled od ilustrací na výkresech této příručky, nicméně návod k použití, údržba a montáž zůstávají nezměněny.

Výrobce odmítá převzít jakoukoliv odpovědnost za případné závady, škody nebo vznícení digestoře, které byly způsobeny nedodržением těchto předpisů. Digestoř je projektována pro odsávání dýmů a par při vaření a je určena pouze k domácím účelům.

- Je důležité uchovat si tuto příručku, abyste ji mohli konzultovat v jakémkoliv okamžiku. V případě prodeje, postoupení či stěhování si zajistěte, aby zůstala společně s přístrojem.
- Přečtěte si pozorně návod: obsahuje důležité informace o instalaci, užití a bezpečnosti.
- Neměňte elektrickou či mechanickou úpravu výrobku anebo vývodního zařízení.
- Před instalací zařízení zkontrolujte, zda některá ze součástí není poškozena. V opačném případě kontaktujte prodejce a nepokračujte v instalaci.

Minimální vzdálenost mezi podporou nádoby na varné ploše a nejnižší částí digestoře nesmí být menší než 50cm v případě elektrických sporáků 65cm v případě plynových či smíšených sporáků.

Pokud návod na instalaci varného zařízení na plyn doporučují větší vzdálenost, je třeba se tímto pokynem řídit.

NAPOJENÍ NA ELEKTRICKOU SÍŤ

Síťové napětí musí odpovídat napětí uvedenému na štítku s charakteristikami umístěného uvnitř krytu. Pokud je kryt vybaven přípojkou, stačí jej zapojit do zásuvky odpovídající stávajícím normám, která se nachází ve snadno dosažitelném prostoru i po provedené montáži. Pokud kryt není vybaven přípojkami (přímé připojení k síti) nebo se zásuvka nenachází ve snadno dosažitelném prostoru i po provedené montáži, je třeba použít dvojpólový vypínač odpovídající normám, který zaručí úplné odpojení od sítě v podmínkách kategorie přepětí III, v souladu s pravidly instalace.

▲ POZOR!


Dříve než opět napojíte obvod digestoře na síťové napájení a ověříte správné fungování, zkontrolujte si vždy, že síťový kabel byl správně namontován.

Pokud není kabel opatřen zástrčkou, připojte vodiče podle informací v následující tabulce:

Síťové napětí a frekvence

Viz hodnota uvedená na technickém štítku s vlastnostmi uvnitř digestoře..

Připojení vodičů

 : žluto/zelená
N : modrá
L : hnědá

Výměna napájecího kabelu

Digestoř je vybavena speciálním napájecím kabelem; v případě poškození kabelu vyžádejte si ho u servisní služby.

VÝVOD VZDUCHU

(pro odsávací verze)

Napojte digestoř na odtahového potrubí se stejným průměrem jako vývod vzduchu (spojovací příruba).

Použití odtahového potrubí s menším průměrem způsobí snížení výkonu a zvýšení hluku.

Za to výrobce odmítá jakoukoliv zodpovědnost.

! Používejte co nejkratší odtahové potrubí.

- ! Použijte odtahové potrubí s co nejmenším počtem záhybů (maximální úhel záhybu: 90°).
- ! Vyhněte se zásadním změnám sekce vedení odtahu.
- ! Výrobce odmítá veškerou zodpovědnost v případě, že tyto předpisy nebudou dodržovány.

FILTRUJÍCÍ ANEBY ODSÁVACÍ?

- ! Vaše digestoř je připraven k použití v odsávací verzi.
K použití ve filtrující verzi je třeba instalovat příslušný KIT PŘÍSLUŠENSTVÍ.
Ověřte si na prvních stránkách této příručky, zda KIT PŘÍSLUŠENSTVÍ je součástí vybavení přístroje anebo zda je třeba ho zakoupit.
- Poznámka:** Pokud je součástí vybavení, v některých případech dodatečný filtrační systém založený na aktivních uhlících by již mohl být nainstalován na digestoř.
- Informace týkající se přeměny digestoře z odsávací verze na verzi filtrující jsou obsaženy v této příručce.

Odsávací verze

Páry jsou vyváděny mimo místnost odtahovým potrubím upevněného na spojovací přírubě.

POZOR!

Odtahové potrubí není součástí vybavení a je třeba ho zakoupit.
Průměr odtahového potrubí se musí rovnat průměru spojovacího prstence.

POZOR!

Jestliže je digestoř vybavena filtry s uhlíkem, musejí být vyňaty.

Filtrující verze

Odsávaný vzduch bude před návratem do místnosti zbaven tuku a pachů. K použití digestoře v této verzi je nutné instalovat dodatečný systém filtrování na základě aktivních uhlíků.

OVLÁDÁNÍ

Odsavač je vybaven ovládacím panelem s ovládním rychlosti odsávání a zapínáním osvětlení pracovní plochy.



T1



T2



T3

P

T4

ZEN

T5



T6



Motor ventilátoru / ZAP/VYP 1. rychlost



Motor ventilátoru / ZAP/VYP 2. rychlost



Motor ventilátoru / ZAP/VYP 3. rychlost

P

Funkce „POWER BOOST“ ZAP/VYP (časově řízeno)
Poznámka: Po pěti minutách se digestoř vrátí na třetí stupeň rychlosti.

ZEN Provoz „ZEN Mode“ funkce ZAP/VYP

Poznámka: Tato funkce umožňuje aktivovat rychlost odsávání s dokonalým vyvážením tichosti a účinnosti odsávání.

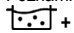
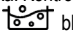


Hlavní osvětlení ZAP/VYP


UHLÍKOVÝ FILTR / FILTR PRO ZACHYCOVÁNÍ MASTNOTY – ALARM/ RESET

Digestoř v pravidelných intervalech signalizuje, že je zapotřebí provést údržbu filtru.

Poznámka: Kontrolky budou aktivní pouze po dobu 40 sekund po vypnutí rychlosti motoru ventilátoru.

 +  blikají: Proveďte údržbu filtru pro zachycování mastnoty.

 + **P** blikají: proveďte údržbu uhlíkového filtru.

Poznámka: alarm uhlíkového filtru je standardně deaktivovaný. Pro jeho aktivaci: Vypněte digestoř a poté na více než 3 sekundy podržte stisknutá tlačítka  + **P**. Obě kontrolky se rozsvítí asi na 3 sekundy jako potvrzení, že je alarm uhlíkového filtru aktivní. Pro deaktivaci tento postup opakujte (obě kontrolky budou asi 3 sekundy blikat).

Vynulování indikátorů stavu zanesení filtru

Tlačítka s blikajícími kontrolkami stiskněte na necelé 3 sekundy.

ÚDRŽBA

Čištění

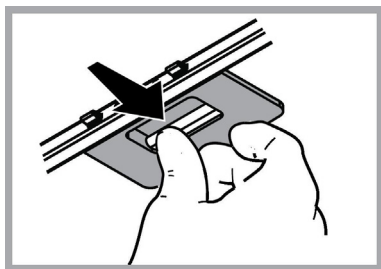
Pro čištění je třeba použít **VÝHRADNĚ** látku navlhčenou neutrálními tekutými čistícími prostředky. **NEPOUŽÍVEJTE ŽÁDNÉ NÁSTROJE NEBO POMŮCKY NA ČIŠTĚNÍ. NEPOUŽÍVEJTE ALKOHOL!**

Údržba tukových filtrů

Zadržuje částice tuku uvolňující se při vaření.

Tukový filtr se musí 1x do měsíce vyčistit (vyprat), anebo jestliže systém vyznačování saturace filtru - pokud je součástí vybavení vlastního modelu - vyznačuje tuto potřebu. Je možné jej čistit ručně jemným mycím prostředkem nebo v kuchyňské myčce při nejnižší teplotě a kratším programu.

Demontáž tukového filtru je znázorněna - zatlačte na západku filtru.



Údržba filtrů s uhlíkem

Tento filtr pohlcuje nepříjemné pachy vznikající při vaření.

Saturace filtru s uhlíkem nastane po více či méně dlouhém užití, tj. závisí na typu kuchyně a pravidelném čištění filtru proti mastnotám. V každém případě je nutné nahradit patronu maximálně jednou za 4 měsíce (anebo jestliže systém vyznačování saturace filtrů – pokud je součástí vybavení vlastního modelu – vyznačuje tuto potřebu).

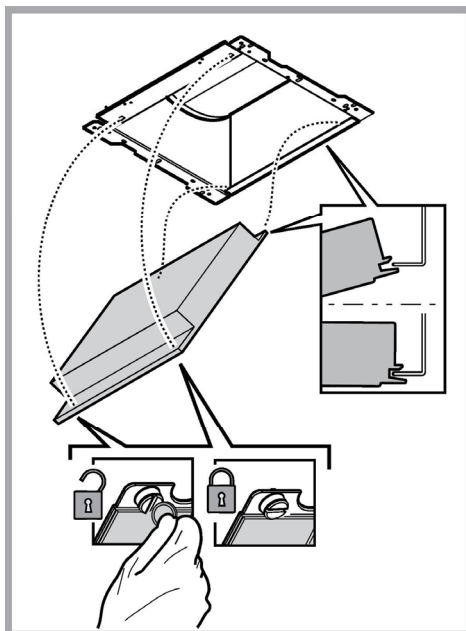
NEMŮŽE být umýván či regenerován.

Montáž

Zavěste nejdříve filtr s aktivním uhlíkem vzadu, na kovový jazýček digestoře, pak vepředu, dvěma dvěma držadly.

Demontáž

Vyjměte filtr s aktivním uhlíkem tak, že budete otáčet o 90° držadla, která ho upevňují na digestoř.



Výměna svídel

Digestoř je vybavena osvětlovacím systémem založeným na technologii DIOD.


DIODY zaručují optimální osvětlení, s trvanlivostí až 10 krát delší než tradiční svídky a umožňují úspory 90% elektrické energie.

Pro výměnu žárovek kontaktujte servisní středisko, pověřené prodejem náhradních dílů.

LIKVIDACE ODPADU

Tento spotřebič je označený v souladu s evropskou směrnicí 2012/19/EC o likvidaci elektrického a elektronického zařízení (WEEE). Zajištěním správné likvidace tohoto výrobku pomůžete zabránit případným negativním důsledkům na životní prostředí a lidské zdraví, ke kterým by nevhodnou likvidací tohoto výrobku mohlo dojít.



Symbol  na výrobku nebo na dokumentech přiložených k výrobku udává, že tento spotřebič nepatří do domácího odpadu. Spotřebič je nutné odvézt do sběrného místa pro recyklaci elektrického a elektronického zařízení.

Likvidace musí být provedena v souladu s místními předpisy o ochraně životního prostředí, které se týkají likvidace odpadu.

Podrobnější informace o zpracování, rekuperaci a recyklaci tohoto výrobku zjistíte u příslušného místního úřadu, služby pro likvidaci domovního odpadu nebo v obchodě, kde jste výrobek zakoupili.

Přístroj byl navržen, testován a vyroben v souladu s:

- Bezpečnost: EN/IEC 60335-1; EN/IEC 60335-2-31, EN/IEC 62233.
- Výkonnost: EN/IEC 61591; ISO 5167-1; ISO 5167-3; ISO 5168; EN/IEC 60704-1; EN/IEC 60704-2-13; EN/IEC 60704-3; ISO 3741; EN 50564; IEC 62301.

- EMC: EN 55014-1; CISPR 14-1; EN 55014-2; CISPR 14-2; EN/IEC 61000-3-2; EN/IEC 61000-3-3.

(Osobitý mezinárodní výbor pro rádiové rušení, pozn. překl)

Doporučení pro správné použití s cílem snížit dopad na životní prostředí:

Zapněte digestoř na minimální rychlost, když začnete s vařením a nechte ji běžet několik minut poté, co jste vaření ukončili. Zvyšte rychlost pouze v případě nadměrného množství kouře nebo páry a použijte podpornou rychlost (i) jenom v extrémních situacích. Vyměňte uhlíkový filtr (y), je-li to nutné pro udržování účinnosti snižování zápachu. Vyčistěte tukový filtr (y), je-li to nutné pro udržování jeho účinnosti. Použijte maximální průměr potrubního systému, jak je uvedeno v tomto návodu, pro optimalizaci účinnosti a minimalizaci hluku.





TECHNICKÉ PORUCHY

Pokud máte dojem, že něco správně nefunguje, dříve než se obrátíte na servisní službu, proveďte následující jednoduchá kontrolní opatření:

- jestliže digestoř nefunguje:
Ověřte si, zda:
 - nedošlo k přerušení elektrického proudu.
- jestliže digestoř má nedostatečný výkon:
Ověřte si, zda:
 - zvolená rychlost motoru je postačující pro uvolněné množství dýmu a par.
 - zda je kuchyně dostatečně větrána, aby v ní bylo možno umístit přívod vzduchu.
 - zda filtr s uhlíkem není opotřeben (pokud je digestoř ve filtrující verzi).
- Pokud se digestoř při normálním provozu vypne:
Ověřte si, zda:
 - nedošlo k přerušení elektrického proudu.
 - zda nezasáhl multipólový jistič

V případě eventuálních technických poruch dříve než se obrátíte na servisní službu, odpojte přístroj alespoň na 5 vteřin z elektrické sítě, vyjměte zásuvku ze zásuvky a pak ho opět napojte na síť. V případě, že technická porucha trvá, obraťte se na servisní službu.

TECHNICKÉ ÚDAJE

Výška (cm)	Šířka (cm)	Hloubka (cm)	Ø potrubí odtahu (cm)
 61,9-114,7  70,6-114,7	89,8	45	15
 61,9-114,7  70,6-114,7	59,8	45	15

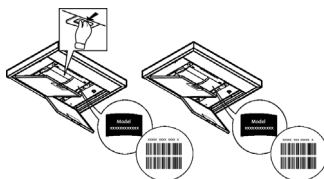


Komponenty, které nejsou součástí vybavení výrobku



Bezpečnostní pokyny, návod k použití, štítek výrobku a energetické údaje si můžete stáhnout pomocí:

- naší webové stránky docs.whirlpool.eu
- naskenování QR kódu
- případně **kontaktujte náš poprodejní servis** (telefonní číslo najdete vzáručním listě). Při kontaktování našeho poprodejního servisu prosím uveďte kódy na identifikačním štítku produktu.



GENEREL SIKKERHED

- Før deres foretages nogen form for indgreb i forbindelse med rengøring og vedligeholdelse skal forbindelsen til strømforsyningen afbrydes ved at trække stikket ud eller ved at slukke for boligens hovedafbryder.

- For indgreb i forbindelse med installation og vedligeholdelse skal der bruges arbejdshandsker.

- Apparatet må kun anvendes af børn under 8 år eller af personer med nedsatte fysiske eller mentale evner, eller som ikke har den nødvendige erfaring og kendskab til det, hvis de er under opsyn, eller såfremt de har modtaget de nødvendige anvisninger til sikker brug af apparatet og kender de dermed forbundne risici.

- Det er nødvendigt at holde øje med, at børnene ikke leger med opladeren.

- Rengøring og vedligeholdelse må ikke udføres af børn uden opsyn.

- Lokalet skal være udstyret med tilstrækkelig ventilation, hvis emhætten bruges samtidig med andre forbrændingsapparater, der drives af gas eller andre brændstoffer.

- Emhætten skal rengøres med hyppige mellemrum, både indvendigt og udvendigt (MINDST EN GANG OM MÅNEDEN).

- Overhold under alle omstændigheder anvisningerne i vedligeholdelsesvejledningen.

Manglende overholdelse af emhættens rengøringsforskrifter og af filtrens udskiftning og rengøring medfører fare for brand. Det er strengt forbudt at tilberede mad under åben ild under emhætten.

- Ved udskiftning af pæren må du kun anvendes den type lyspære, der er angivet i afsnittet om vedligeholdelse/udskiftning af pære i denne manual.

Brug af åben ild er skadeligt for filtrene og kan medføre en brand, og det skal derfor for enhver pris undgås.

Friturestegning skal udføres under overvågning for at undgå, at olien overophedes og antændes.

PAS PÅ! Når kogepladen er i brug, kan emhættens tilgængelige dele blive meget varme.

- Apparatet må ikke tilsluttes strømforsyningen, før installationen er helt fuldført.

- Hvad angår de anviste tekniske og sikkerhedsmæssige forholdsregler til udledning af røg, skal du omhyggeligt overholde de lokale myndigheders forskrifter.

- Den udsugede luft må ikke tilføres en skakt, der bruges til udledning af røg fra forbrændingsapparater, der fungerer med gas eller andre brændstoffer.

- Du må ikke bruge eller efterlade emhætten uden korrekt monterede pærer for at undgå en risiko for elektrisk stød.

- Brug aldrig emhætten uden en korrekt monteret rist!

- Emhættens overflade må ALDRIG anvendes som afsætningsplade, med mindre dette er udtrykkeligt angivet.

- Brug kun de medfølgende fastspændingsskruer til produktet i forbindelse med installationen eller – såfremt de ikke medfølger – skal du indkøbe den korrekte type skruer.

- Brug skruer af korrekt længde, som anført i installationsvejledningen.

- I tvivlstilfælde bør du kontakte dit autoriserede servicecenter eller en kvalificeret tekniker.

⚠ ADVARSEL!

- Hvis der ikke monteres de skruer og fastspændingsanordninger som angivet i disse anvisninger, kan der opstå risiko for elektriske problemer.

- Brug ikke sammen med en programmeringsenhed, timer, separat fjernbetjening eller andre enheder, der aktiveres automatisk.

Børn under 3 år skal holdes langt væk fra apparatet. Hold apparatet utilgængeligt for børn under 8 år, med mindre de konstant overvåges af en voksen.

⚠ ADVARSEL: Apparatet er ikke beregnet til at blive idriftsat ved hjælp af en ekstern enhed eller et separat fjernbetjeningsystem.

⚠ Dette apparat er ikke beregnet til professionel brug. Apparatet må ikke anvendes i det fri.

⚠ For at undgå risiko for kvæstelser skal apparatet håndteres og installeres af to eller flere personer.

⚠ Installationen, herunder også eventuelle vandforsyningsforbindelser (hvis relevant), og de elektriske tilslutninger, og reparationsarbejde skal udføres af kvalificeret personale.

Når installationen er færdig, skal emballagen (plastikdele, polystyren osv.) opbevares uden for børns rækkevidde for at undgå kvælningsrisiko. .

Brug aldrig apparatet, når du er våd eller barfodet.

Brug aldrig damprensingsapparater – risiko for elektrisk stød.



Emballagen er 100% genanvendelig og er markeret med genbrugssymbolet

Emhætten kan have et andet udseende i forhold til modellen på tegningerne i denne vejledning. Vejledningen til brug, vedligeholdelse og installation er dog uændret.

Overhold venligst alle instruktioner i denne vejledning. Fabrikanten frasiger sig ethvert ansvar for eventuelle fejl, skader eller brande forårsaget af apparatet, men afledt af manglende overholdelse af instruktionerne i denne vejledning. Emhætten er beregnet til udsugning af røg og damp fra madlavning, og må kun benyttes til almindelig husholdning.

- Det er vigtigt at opbevare denne vejledning, så man får mulighed for at læse den senere. Ved viseresalg, overdragelse eller flytning skal man sørge for, at vejledningen følger emhætten.
- Læs instruktionerne omhyggeligt: der findes vigtige oplysninger om installation, brug og sikkerhed.
- Der må ikke udføres elektriske eller mekaniske ændringer på emhætten eller på udslipsrørene.
- Undersøg at ingen komponenter er beskadiget, før apparatet installeres. Kontakt forhandleren og undlad at fortsætte med installationen, hvis der påvises beskadigelser.

Minimumsafstanden mellem kogegrejets støtteoverflade på komfuret og den nederste del af emhætten må ikke være under 50cm ved elektriske kogeplader, og ikke under 65cm ved gasblus eller komfurer med både gasblus og elektriske kogeplader.

Hvis gaskomfurets vejledning angiver en større afstand, skal dette overholdes.

ELEKTRISK TILSLUTNING

Netspændingen skal svare til spændingen vist på typeskiltet internt i emhætten. Hvis emhætten er udstyret med et stik, skal emhætten tilsluttes en let tilgængelig stikkontakt, der er i overensstemmelse med de gældende standarder. Stikkontakten skal også være let tilgængelig efter installationen. Hvis emhætten ikke er udstyret med et stik (direkte tilslutning til elnettet), eller hvis stikket ikke findes i et område, der også er let tilgængeligt efter installationen, skal der monteres en topolet afbryderkontakt i overensstemmelse med standarderne, der sørger for fuld afbrydelse fra elnettet i tilfælde af forhold i overspændingskategori III, og i overensstemmelse med reglerne for elektriske installationer.

⚠ OBS!

Undersøg altid, at netkablet er blevet monteret rigtigt, før emhættens kredsløb tilsluttes forsyningsnettet og der udføres kontrol af korrekt funktion.

Hvis kablet ikke er udstyret med et stik, skal ledningerne forbindes i overensstemmelse med den følgende tabel:

Ledningsnettets spænding og frekvens

Se den angivne værdi på etiketten med tekniske data inde i emhætten.

Ledningsforbindelse



: gul/grøn

N : blå

L : brun

Udskiftning af forsyningskabel

Emhætten er udstyret med en speciel forsyningsledning; hvis denne ledning beskadiges, skal den bestilles hos den tekniske service.

UDLEDNING AF LUFT

(til versioner med udsugning)

Tilslut emhætten til aftræksrør og aftrækshullet i væggen, som skal have en diameter, der passer til luftudsugningen (studsflange).

Hvis rør og hul har en mindre diameter, forringes udsugningskapaciteten og støjen øges betydeligt.

Producenten fralægger sig ethvert ansvar i forbindelse hermed.

- ! Benyt et rør, der er så kort som muligt.
- ! Benyt et rør, der har så få kurver som muligt (max. vinkel på kurven: 90°).
- ! Undgå drastiske ændringer i rørets tværsnit.
- ! Fabrikanten fralægger sig ethvert ansvar, hvis disse regler ikke overholdes.

FILTRERENDE ELLER SUGENDE ?

! Emhætten er parat til brug i den sugende udgave.

For at benytte emhætten i den filtrerende udgave, skal det specielle SÆT MED UDSTYR installeres.

Undersøg på de første sider i denne vejledning, om SÆTTET MED UDSTYR allerede er leveret med emhætten, eller om det skal købes separat.

Bemærk: Hvis sættet leveres med emhætten, er det supplerende filtreringssystem baseret på aktivt kul eventuelt allerede installeret i emhætten.

Oplysningerne til forvandling af emhætten fra den sugende udgave til den filtrerende udgave findes allerede i denne vejledning.

Sugende udgave

Dampen ledes udenfor vha. et aftræksrør fastgjort til samleflangen.

⚠ OBS!

Udledningsrøret leveres ikke, og skal købes.

Aftræksrørets diameter skal svare til diameteren på forbindelsesringen.

⚠ OBS!

Hvis emhætten er udstyret med kulfiltre, skal disse filtre fjernes.

Filtrerende udgave

Den indsugede luft affædtes og lugten fjernes, før luften sendes tilbage i lokalet. For at benytte emhætten i denne udgave skal der monteres et supplerende filtreringssystem baseret på aktivt kul.

BETJENINGSANORDNINGER

Emhætten er udstyret med et betjeningspanel med mulighed for regulering af sugestyrken og lys til oplysning af kogeområdet.



T1



T2



T3

P

T4

ZEN

T5



T6



Ventilator motor / TIL/FRA 1. hastighed



Ventilator motor / TIL/FRA 2. hastighed



Ventilator motor / TIL/FRA 3. hastighed

P

"POWER BOOST" TIL/FRA funktion (tidsstyret)

Bemærk: emhætten går tilbage til 3. hastighed efter fem minutter.

ZEN Betjening "ZEN indstilling" TIL/FRA funktion

Bemærk: Denne funktion giver mulighed for at aktivere en udsugningshastighed med den perfekte balance mellem støjsvagthed og udsugningens styrke.

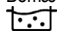
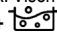



TÆND/SLUK hovedlys


SMØRE-/KULFILTER ALARM/NULSTIL

Ved regelmæssige intervaller signalerer emhætten behovet for at vedligeholde filteret.

Bemærk: Viserne vil kun fungere i 40 sekunder efter slukning af ventilatorens motorhastighed.

 +  blinker: udfør vedligeholdelse af fedtfilteret.

 + **P** blinker: udfør vedligeholdelse af kulfilteret.

Bemærk: kulfilterets alarm er normalt deaktiveret, for at aktivere den: sluk for emhætten og tryk derefter på  + **P** i mere end 3 sekunder. Begge signaler tænder i ca. 3 sekunder for at indikere at kulfilterets alarm er aktiveret. Gentag denne handling for deaktivering (begge signaler blinker i ca. 3 sekunder).

Nulstilling af filtermætningsindikatorer

Tryk på signaleme i næsten 3 sekunder, mens de blinker.

VEDLIGEHOLDELSE

Rengøring

Ved rengøring må der **UDELUKKENDE** anvendes en klud fugtet med neutrale, milde rengøringsmidler i flydende form.

ANVEND IKKE VÆRKTØJ ELLER ANDET UDSTYR TIL RENGØRING.

Undgå brug af produkter indeholdende slibemidler **BENYT ALDRIG SPRIT!**

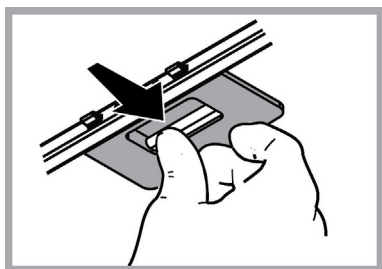
Vedligeholdelse af fedtfiltere

Tilbageholder de fedtpartikler, der dannes under tilberedning af mad.

Fedtfilteret skal rengøres med milde vaskemidler en gang om måneden (eller når signaleringssystemet for filtermætning angiver behovet – hvis denne funktion findes på den købte model); filteret kan også vaskes i opvaskemaskine ved lave temperaturer og med en kort opvaskecyklus.

Ved vask i opvaskemaskinen kan metal-fedtfilteret blive misfarvet, men dette vil ikke have negativ indflydelse på dets filtrerende egenskaber.

Træk i fjederhåndtaget for at afmontere fedtfilteret.



Vedligeholdelse af kulfilter

Filteret opfanger lugt fra madlavning.

Kulfilteret mættes efter længere tids brug alt efter typen af komfuret og hyppigheden for rengøring af fedtfilteret. Filterpatronen skal dog under alle omstændigheder skiftes hvert fjerde måned (eller når indikatoren for mætning af filteret angiver det, hvis en sådan indikator findes på modellen).

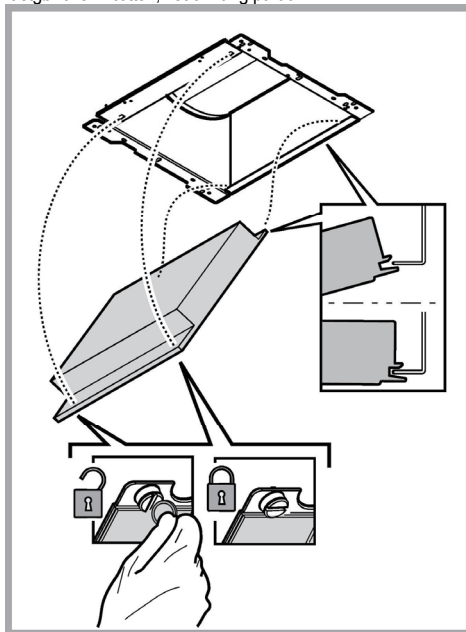
Kulfilteret kan IKKE vaskes eller genanvendes.

Montering

Fastgør først filteret med aktivt kul til emhættens metalflap bagpå, og derefter foran vha. de to runde håndtag.

Afmontering

Fjern filteret med aktivt kul ved at dreje de runde håndtag, der fastgør til emhætten, i et omfang på 90°.



Udskiftning af pærer

Emhætten er udstyret med et belysningsystem baseret på lysdioder-teknologi.

Lysdioderne sikrer optimal belysning, holdbarhed op til 10 gange længere end almindelige pærer, og de giver mulighed for at spare 90% elektricitet.


Til udskiftning af lamperne, ret henvendelse til det godkendte reservedelscenter.

BORTSKAFFELSE

Dette apparat er mærket i overensstemmelse med det Europæiske Direktiv 2012/19/EC, Waste Electrical and Electronic Equipment (WEEE).

Elektrisk og elektronisk udstyr indeholder materiale, komponenter og stoffer, der kan være skadelige for menneskers sundhed og for miljøet, hvis kasseret elektrisk og elektronisk udstyr ikke håndteres korrekt.



Elektrisk og elektronisk udstyr er mærket med nedenstående overkrydsede skraldespand . Den symboliserer, at elektrisk og elektronisk udstyr ikke må bortskaffes sammen med usorteret husholdningsaffald, men indsamles særskilt.

Alle kommuner har etableret indsamlingsordninger, hvor elektrisk og elektronisk udstyr gratis kan afleveres af borgerne på genbrugsstationer og andre indsamlingssteder eller bliver afhentet direkte fra husholdningerne. Nærmere information kan fås hos kommunens tekniske forvaltning.

Produktet er designet, testet og produceret i henhold til:

- Sikkerhed: EN/IEC 60335-1; EN/IEC 60335-2-31, EN/IEC 62233.
- Kapacitet: EN/IEC 61591; ISO 5167-1; ISO 5167-3; ISO 5168; EN/IEC 60704-1; EN/IEC 60704-2-13; EN/IEC 60704-3; ISO 3741; EN 50564; IEC 62301.
- EMC: EN 55014-1; CISPR 14-1; EN 55014-2; CISPR 14-2; EN/IEC 61000-3-2; EN/IEC 61000-3-3. Forslag til korrekt anvendelse til reducere af miljøbelastning: Indstil ON på emhættens laveste hastighed, når du begynder at lave mad og sluk den først et par minutter efter endt madlavning. Forhøj kun hastigheden ved meget røg og damp. Anvend kun boost hastigheden i tilfælde, hvor det er nødvendigt. Udskift kulfilteret/kulfiltrene, når det er nødvendigt for at bibeholde udsugningseffektiviteten. Rens fedtfilteret/fedtfilterne, når det er nødvendigt for at bibeholde filtereffektiviteten. Anvend det største kabelsystemdiameter til optimering af effektiviteten og tilminimering af støjen.





FUNKTIONSFEJL

Hvis der opstår funktionsfejl, bør man foretage nedenstående kontrol før man ringer til Servicecenteret.

- Hvis emhætten ikke fungerer:
Kontroller følgende:
 - at der ikke er strømsvigt.
 - at der er valgt en hastighed.
- Hvis emhætten ikke rensr luften korrekt:
Kontroller følgende:
 - at den valgte motorhastighed er tilstrækkelig til mængden af røg og damp.
 - at køkkenet er korrekt ventileret af hensyn til luftindtaget.
 - at kulfilteret ikke er slidt (emhætter i filtrerende udgaver).
- Hvis emhætten slukkes under normal funktion:
Kontroller følgende:
 - at der ikke er strømsvigt.
 - om den flerpolde afbryderkontakt har grebet ind.

Hvis der opstår funktionsfejl, bør man inden henvendelse til Servicecenteret, afbryde emhætten fra elforsyningen i mindst 5 sekunder ved at trække stikket ud, og derefter tilslutte emhætten igen. Hvis funktionsfejlen stadig er til stede bedes man kontakte Servicecenteret.

TEKNISKE DATA

Højde (cm)	Bredde (cm)	Dybde (cm)	Ø på udsugningsrør (cm)
 61,9-114,7  70,6-114,7	89,8	45	15
 61,9-114,7  70,6-114,7	59,8	45	15

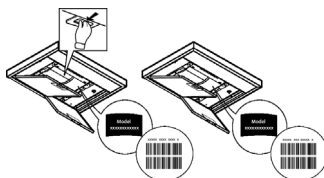


Komponenter der ikke leveres med emhætten



Du kan downloade Sikkerhedsanvisningerne, Brugsvejledningen, Databladet og Energidataene, ved at:

- Besøge vores website docs.whirlpool.eu
- Ved hjælp af QR-koden
- Eller som alternativ **kontakte vores serviceafdeling** (Telefonnummeret findes i garantihæftet). Når du kontakter vores serviceafdeling, bedes du angive koderne på dit produkts identifikationsskilt.



YLEINEN TURVALLISUUS

- Ennen minkään asennustoimenpiteen aloittamista laite tulee kytkeä irti sähköverkosta irrottamalla liitäntäjohto tai katkaisemalla virta huoneiston pääkytkimestä.
 - Käytä kaikkien asennus- ja huoltotöiden aikana työkasineitä.
 - Yli 8-vuotiaat lapset sekä henkilöt, joiden fyysinen, aistien tai mielen terveys on heikentynyt tai joilla ei ole tarpeellista kokemusta ja tietoa, saavat käyttää tätä laitetta, jos käyttöä valvotaan tai jos heille on annettu laitteen turvallista käyttöä koskevat ohjeet ja he ymmärtävät mahdolliset vaarat.
 - Valvo, että lapset eivät pääse leikkimään laitteella.
 - Lapset eivät saa puhdistaa laitetta tai tehdä kunnossapitotoimenpiteitä ilman valvontaa.
 - Huoneisto on aina tuuletettava hyvin, kun tuuletinta käytetään yhtäaikaaisesti kaasulla tai muilla polttoaineilla toimivien laitteiden kanssa.
 - Tuuletin on puhdistettava säännöllisesti sisä- ja ulkopuolelta (VÄHINTÄÄN KERRAN KUUKAUDESSA), noudata kuitenkin tämän käyttöohjeen neuvoja.
 - Tuulettimen puhdistusta ja suodattimien vaihtoa ja puhdistusta koskevien määräysten noudattamatta jättäminen voi aiheuttaa tulipalovaaran.
 - Tuulettimen alla liekittäminen on ehdottomasti kielletty.
 - Käytä ainoastaan lamppujen huolto/vaihto-ohjeessa ilmoitettuja vaihtolamppuja.
- Avotulen käyttö vahingoittaa suodattimia ja voi aiheuttaa tulipalon, siksi sitä on vältettävä joka tapauksessa.

Älä jätä paistumassa olevaa ruokaa ilman valvontaa, jotta kuumentunut öljy ei syty palamaan.

HUOMIO: Liesituulettimen esillä olevat osat voivat kuumentua keittotason käytön aikana.

- Älä yhdistä laitetta sähköverkkoon ennenkuin asennus on täysin valmis.
- Noudata huolellisesti paikallisten viranomaisten antamia savunpoiston teknisiä ja turvatoimenpiteitä koskevia määräyksiä.
- Poistoilmaa ei saa johtaa kaasulla tai muilla polttoaineilla toimivien laitteiden savunpoistohormiin.
- Älä käytä liesituuletinta, jos lamppu ei ole paikallaan tai jos lamppuja ei ole asennettu oikein, sillä seurauksena voi olla sähköisku.
- Älä koskaan käytä tuuletinta, jos sen verkkoa ei ole asennettu oikealla tavalla!
- Tuuletinta ei saa KOSKAAN käyttää tukipintana, jollei niin ole erikseen mainittu.
- Käytä vain laitteen mukana tulevia asennukseen tarkoitettuja kiinnitysruuveja, tai hanki oikeanlaisia ruuveja jos ne eivät kuulu varustukseen.
- Käytä Asennusohjeen mukaisia oikean pituisia ruuveja.
- Epäselvissä tapauksissa ota yhteys tekniseen tukeen tai vastaavaan asiantuntijaan.

▲ VAROITUS!

- Kiinnitysruuvien ja –laitteiden ohjeiden vastainen asennus voi vaikuttaa sähköturvallisuuteen.
- Älä käytä ohjelmoitilaitteen, ajastimen, erillisen kaukosäätimen tai minkä tahansa laitteen kanssa, joka aktivoituu automaattisesti.

Pidä alle 3-vuotiaita lapsia loitolla laitteesta. Pidä laitetta pois alle 8-vuotiaiden lasten ulottuvilta ellei heidän toimintaansa valvo jatkuvasti aikuinen henkilö.

▲ VAROITUS: laitetta ei ole tarkoitettu otettavaksi käyttöön ulkoisen laitteen avulla tai käyttämällä erillistä kauko-ohjausjärjestelmää.

▲ Tämä laite ei ole tarkoitettu ammattimaiseen käyttöön. Älä käytä laitetta ulkona.

▲ Loukkaantumista koskevien vaarojen välttämiseksi, laitetta on liikutettava ja se on asennettava kahden tai useamman henkilön toimesta.

▲ Asennus, joka koskee myös mahdollisia vesijohtoliitoksia (mikäli kuuluu asennukseen) ja sähköliitäntöjä sekä korjaustoimenpiteet on suoritettava pätevän henkilöstön toimesta.

Kun asennus on valmis, säilytä pakkausmateriaaleja (muovi- ja polystyreeniosat tms.) pois lasten ulottuvilta tukehtumisvaaran välttämiseksi. .

Älä käytä laitetta kun olet märkä tai paljain jaloin.

Älä koskaan käytä höyrypuhdistimia - sähköiskun vaara.

Pakkausmateriaali on 100 % kierrätettävä ja se on merkitty kierrätysmerkillä



Tuuletin voi olla ulkonäöltään erilainen kuin käyttöohjeen kuvissa näkyvä malli. Käyttöohjeet, asennus ja huolto ovat kuitenkin muuttumattomat.

Noudata käyttöohjetta huolellisesti. Valmistaja ei vastaa käyttöohjeen noudattamattajättämisestä aiheutuneista haitoista, vahingoista tai tulipaloista. Tuuletin imee savun ja höyryn ja se on tarkoitettu ainoastaan kotitalouskäyttöön.

- On tärkeää säilyttää ohjekirja tulevaa tarvetta varten.
Mikäli laite myydään tai siirretään uudelle omistajalle tai jos laitteen käyttäjä muuttaa, on varmistettava että käyttöohje jää uuden käyttäjän saataville.
- Lue käyttöohjeet huolellisesti: ne sisältävät tärkeää tietoa laitteen asennuksesta, käytöstä ja turvallisuudesta.
- Älä tee muutoksia laitteen sähköliitäntöihin, mekaanisiin osiin tai poistoputkiin.
- Tarkista ennen laitteen asennusta, että kaikki osat ovat vahingoittumattomia. Jos laitteessa on viallisia osia, ota yhteys jälleenmyyjään ja keskeytä asennus.

Lieden keittotason tukipinnan ja keittiötuulettimen alimman osan välinen minimietäisyys on oltava vähintään 50cm sähköliesien osalta ja 65cm kaasu- ja sekaliesien osalta.

Jos kaasulieden käyttöohjeissa vaaditaan suurempi etäisyys, on se otettava huomioon.

SÄHKÖLIITÄNTÄ

Verkon jännitteen on oltava sama kuin tuulettimen sisäpuolella olevassa tyyppikilvessä ilmoitettu jännite. Jos laitteessa on pistoke, liitä tuuletin voimassaolevien normien mukaiseen pistorasiaan, joka sijaitsee sellaisessa paikassa, että siihen pääsee käsiksi myös asennuksen jälkeen. Jos laitteessa ei ole pistoketta (suora liitos verkkoon) tai pistoke ei ole sellaisessa paikassa että siihen pääsee käsiksi myös asennuksen jälkeen, käytä normien mukaista kaksinapaista katkaisijaa, jolla varmistetaan että laite saadaan kokonaan irti sähköverkosta, jos ylijännite kategoria on III, asennussääntöjen mukaisesti.

▲ HUOMIO!

Tarkista aina, että verkkokaapeli on asennettu oikealla tavalla ennen kuin yhdistät tuulettimen sähköverkkoon ja tarkistat että se toimii oikein.

Jos kaapelissa ei ole pistoketta, kytkä johdot seuraavan taulukon mukaisesti:

Verkon jännite ja taajuus

Viittaa liesituulettimen sisällä olevaan ominaisuudet sisältävään taraan.

Johtojen kytkentä



: keltainen/vihreä

N : sininen

L : ruskea

Virtajohdon vaihto

Tuulettimessa on erityinen sähköjohto; jos johto rikkoutuu, pyydä uusi johto tekniseltä tuelta.

ILMANPOISTO

(imukupversiossa)

Liitä liesituuletin poistoputkiin sekä seinän poistoaukkoihin, joiden halkaisija on yhtä suuri kuin ilman ulostuloukossa (liitäntälaiPASSA).

Halkaisijaltaan pienempien poistoputkien ja seinän poistoaukkojen käyttö aiheuttaa imutehon pienentymistä ja meluisuuden huomattavan lisäyksen.

Kiellädytään siten kaikesta vastuusta kyseisessä tapauksessa.

! Käytä mahdollisimman lyhyttä putkea.

! Käytä putkea, jossa on mahdollisimman vähän mutkia (max taivutus: 90°)

! Älä tee suuria muutoksia putkiston alueella.

! Valmistaja ei ole vastuussa käyttöohjeiden vastaisesta käytöstä

SUODATIN- VAI IMUKUVERSIO?

! Tuulettimenne on valmis käytettäväksi imukupuversiona.

Jos tuuletinta käytetään suodatinversiona, on asennettava tarvittavat LISÄVARUSTEET.

Tarkistakaa käyttöohjeen ensimmäisiltä sivuilta sisältyvätkö LISÄVARUSTEET toimitukseen vai onko ne ostettava erikseen.

Huomio: Jos aktiivihiilisuodatin sisältyy toimitukseen lisävarusteena, on mahdollista että se on jo asennettu tuulettimeen.

Le informazioni per la trasformazione della cappa da versione aspirante a versione filtrante sono già contenute in questo manuale.

Ohjeet tuulettimen vaihtamiseksi imukupuversionasta suodatinversioksi sisältyvät jo tähän käyttöohjeeseen

Imukuperversio

Höyry poistuu ulos liitoslaippaan kiinnitetyn poistoputken kautta.

HUOMIO!

Poistoputki ei kuulu varustukseen ja se on ostettava erikseen.

Poistoputken on oltava halkaisijaltaan samankokoinen kuin liitosrenkas.

HUOMIO!

Jos tuulettimessa on hiilisuodattimet, ne on irrotettava.

Suodatinversio

Suodatetusta ilmasta poistuu rasva ja pahat hajut ennen kuin se palautuu takaisin huoneistoon. Kun tuuletinta käytetään tässä toimintamallissa, siihen on asennettava aktiivihiili lisäsuodatinjärjestelmä.

OHJAIMET

Liesituuletin on varustettu ohjauspaneelilla, josta voidaan säätää imun nopeuksia ja kytkeä valo, joka valaisee keittotasoa.



T1



T2



T3

P

T4

ZEN

T5



T6



Tuulettimen moottori / PÄÄLLE/POIS 1. nopeus



Tuulettimen moottori / PÄÄLLE/POIS 2. nopeus



Tuulettimen moottori / PÄÄLLE/POIS 3. nopeus

P "POWER BOOST" -toiminto PÄÄLLE/POIS (LISÄTEHO) (aikaohjattu)

Huomaa: liesituuletin palauttaa nopeuden 3. nopeudelle viiden minuutin kuluttua.

ZEN "ZEN Mode" -toiminto PÄÄLLE/POIS

Huomaa: Tämä toiminto mahdollistaa imunopeuden käynnistämisen siten, että hiljaisuus ja ilmanpoiston tehokkuus pysyvät ihanteellisessa tasapainossa.

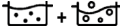


Päävalo päällä / pois päältä

RASVA-/HIILISUODATTIMEN HÄLYTYS/NOLLAUS

Liesituuletin ilmoittaa säännöllisin väliajoin, että on tullut aika suorittaa suodattimen huolto.

Huomaa: Ilmaisimet ovat toiminnassa vain 40 sekuntia sen jälkeen kun tuulettimen moottorin nopeus on asetettu kohtaan OFF.




viikkuvat: suorita rasvasuodattimen huolto.



+ P viikkuvat: suorita hiilisuodattimen huolto.

Huomaa: hiilisuodattimen hälytys on yleensä poissa päältä. Sen aktivoiminen suoritetaan seuraavalla tavalla: laita liesituuletin pois päältä,

paina sitten  + **P** yli 3 sekunnin ajan; molemmat ilmaisimet syttyvät noin 3 sekunniksi, ilmoittaen näin, että hiilisuodattimen hälytys on aktivoitu.

Jos haluat poistaa aktiivoinnin, toista toimenpide (molemmat ilmaisimet vilkkuvat noin 3 sekuntia).

Suodattimen kyllästymisen ilmaisimien palauttaminen normaalitilaan

Paina vilkkuvia ilmaisimia melkein 3 sekunnin ajan.

HUOLTO

Puhdistus

Puhdistusta varten käytä **YKSINOMAAN** neutraaleihin pesuaineisiin kostutettua liinaa. **ÄLÄ KÄYTÄ PUHDISTUKSESSA TYÖKALUJA TAI VÄLINEITÄ!** Vältä hankaavien tuotteiden käyttöä. **ÄLÄ KÄYTÄ ALKOHOLIA!**

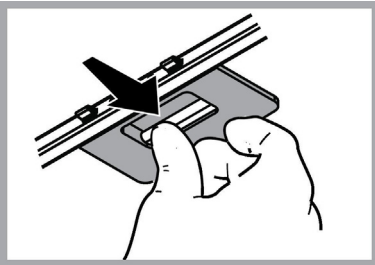
Rasvasuodatin

Se pidättää ruuanlaitosta syntyvät rasvahiukkaset.

Rasvasuodatin on puhdistettava kerran kuukaudessa (tai kun suodattimien kyllästymisen merkkijärjestelmä ilmoittaa puhdistuksen tarpeesta – jos laitteessa on tämä järjestelmä), miedolla pesuaineella, käsin tai astianpesukoneessa alhaisella lämpötilalla ja lyhyellä pesuohjelmalla.

Metallinen rasvasuodatin voi haalistua astianpesukoneessa, mutta tämä ei vaikuta sen suodatustehoon millään tavalla.

Rasvasuodatin irrotetaan vetämällä jousikahvasta.



Hiilisuodattimen huolto

Imee ruuanlaitosta aiheutuvat epämiellyttävät hajut.

Hiilisuodatin kyllästyy ajanjaksossa, jonka pituus riippuu keittotason käyttötavoista ja rasvasuodattimen puhdistuksen säännöllisyydestä. Joka tapauksessa kasetti tulee vaihtaa joka neljäs kuukausi (tai kun suodattimien kyllästymistä osoittava järjestelmä – mikäli olemassa omistettavassa mallissa – osoittaa vaihdon tarpeellisuuden)

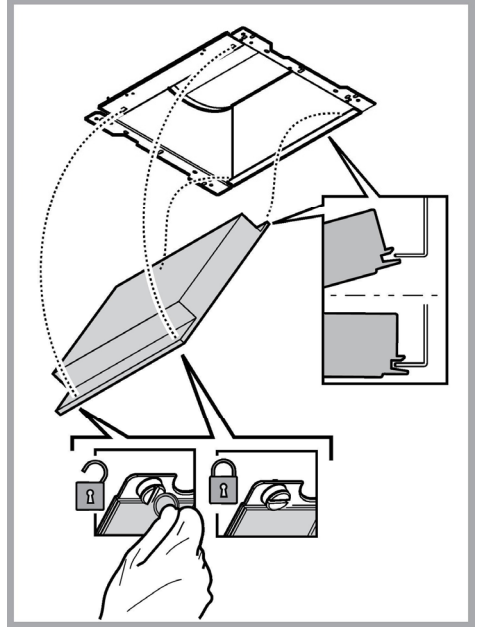
Sitä EI voi pestä eikä käyttää uudestaan

Asennus

Kiinnitä aktiivihiiisuodatin ensin takaosastaan tuulettimen metalliosaan ja sen jälkeen etupuolelta kahdella nupilla.

Purkaminen

Irrota aktiivihiiisuodatin kiertämällä **90°** nuppeja, joilla se on kiinnitetty tuulettimeen.



Lampujen vaihto

Tuulettimessa on LED teknologiaan perustuva valaistusjärjestelmä.


LED valot takaavat parhaan mahdollisen valaistuksen, lampujen kesto on 10 kertaa parempi kuin perinteisten lampujen ja niiden avulla säästetään 90% energiaa.

Jos lamppu on vaihdettava, ota yhteys valtuutettuun huoltoliikkeeseen.

HÄVITTÄMINEN

Tämä laite on valmistettu EU-direktiivin 2012/19/EC, Waste Electrical and Electronic Equipment (WEEE) mukaisesti. Hävittämällä laitteen asianmukaisesti käyttäjä voi ehkäistä mahdolliset ympäristölle ja ihmisten terveydelle haitalliset seuraukset



Tuotteesta tai tuoteasiakirjoista löytyvä merkki  ilmoittaa, että tuotetta ei saa käsitellä talousjätteenä ja että se on toimitettava sähkö- ja elektronisten laitteiden kierrätyspisteeseen. Laite on hävitettävä paikallisten jätteenkäsittelysäännösten mukaisesti. Jos tarvitset lisätietoja laitteen käsittelystä, palautuksesta ja kierrätyksestä, ota yhteys paikalliseen viranomaiseen, jätehuoltoon tai liikkeeseen josta tuote on ostettu.

Laitteisto suunniteltu, testattu ja valmistettu seuraavien standardien mukaisesti:

- Turvallisuus: EN/IEC 60335-1; EN/IEC 60335-2-31; EN/IEC 62233.
- Suorituskyky: EN/IEC 61591; ISO 5167-1; ISO 5167-3; ISO 5168; EN/IEC 60704-1; EN/IEC 60704-2-13; EN/IEC 60704-3; ISO 3741; EN 50564; IEC 62301.
- EMC: EN 55014-1; CISPR 14-1; EN 55014-2; CISPR 14-2; EN/IEC 61000-3-2; EN/IEC 61000-3-3. Suositukset oikeaa käyttöä varten ympäristövaikutusten vähentämiseksi: Kytke liesikupu päälle miniminopeudelle, kun aloitat kypsennyksen, ja pidä sitä päällä muutama minuutti kypsennyksen jälkeen. Nosta nopeutta vain, jos tilassa on runsaasti savua tai höyryä, ja käytä tehostettua/-ja nopeutta/nopeuksia vain erityistarpeessa. Vaihda aktiivihillisuodatin/-suodattimet, kun haluat säilyttää hyvän hajujenpoistotehokkuuden. Puhdista rasvasuodatin/-suodattimet, kun haluat säilyttää hyvän rasvasuodatus tehokkuuden. Käytä tässä oppaassa annetun kanavointijärjestelmän maksimilämpimittaa tehokkuuden parantamiseksi ja melun vähentämiseksi.





TOIMINTAHÄIRIÖT

Jos liesituuletin ei tunnu toimivan, tarkista seuraavat seikat ennen kuin soitat huoltopalveluun:

- Jos tuuletin ei toimi:
Tarkista että:
 - sähkönsyöttö ei ole katkennut
 - on valittu tietty nopeus
- Jos liesituuletin vetää huonosti:
Tarkista että:
 - Valittu moottorin nopeus on riittävä poistamaan kertyneen savun ja höyryn.
 - Keittiön tuuletus on riittävän hyvä, jotta ilma poistuu ulos.
 - Hillisuodatin ei ole kulunut (suodatinversiossa).
- Jos tuuletin on sammunut normaalin toiminnan aikana:
Tarkista että:
 - sähkönsyöttö ei ole katkennut
 - että moninapainen katkaisinlaite ei ole lauennut.

Ennen kuin otat yhteyttä tekniseen tukeen mahdollisten toimintahäiriöiden yhteydessä katkaise laitteesta virta vähintään 5 sekunnin ajaksi vetämällä töpseli irti seinästä ja kytke virta uudestaan päälle. Jos laite ei vielä toimi, ota yhteys tekniseen tukeen

TEKNISET TIEDOT

Korkeus (cm)	Leveys (cm)	Syvyys (cm)	Poistoputken halkaisija (cm)
 61,9-114,7  70,6-114,7	89,8	45	15
 61,9-114,7  70,6-114,7	59,8	45	15

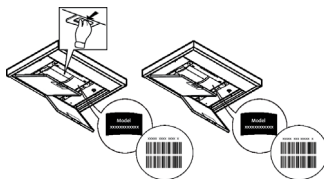


Toimitukseen kuulumattomat osat



Voit ladata itsellesi turvaohjeet, käyttöoppaan, tuoteselosteen ja energiatiedot seuraavalla tavalla:

- Verkkosivustolta docs.whirlpool.eu
- Käyttämällä QR-koodia
- Vaihtoehtoisesti **ottamalla yhteyttä huoltopalveluumme** (katso puhelinnumero takuuvihkosesta). Kun otat yhteyttä huoltopalveluun, ilmoita tuotteen tunnistekilvessä olevat koodit.



ΓΕΝΙΚΗ ΑΣΦΑΛΕΙΑ

• Πριν εκτελέσετε οποιαδήποτε διαδικασία καθαρισμού ή συντήρησης, αποσυνδέστε τη συσκευή από το ρεύμα, βγάζοντας το φως από την πρίζα ή κλείνοντας την ηλεκτρική παροχή.

• Για όλες τις εργασίες εγκατάστασης και συντήρησης χρησιμοποιείτε γάντια εργασίας.
• Η συσκευή αυτή μπορεί να χρησιμοποιηθεί από παιδιά ηλικίας 8 ετών και άνω και από άτομα με μειωμένες σωματικές, αισθητηριακές ή πνευματικές δυνατότητες ή έλλειψη εμπειρίας και γνώσης, εάν επιβλέπονται ή έχουν λάβει οδηγίες σχετικά με τη χρήση της συσκευής με ασφαλή τρόπο και κατανοούν τους κινδύνους που ενέχονται.

• Μην αφήνετε μικρά παιδιά να παίζουν με τη συσκευή.

• Ο καθαρισμός και η συντήρηση δεν πρέπει να πραγματοποιούνται από παιδιά χωρίς επίβλεψη. • Όταν στον χώρο που λειτουργεί ο απορροφητήρας υπάρχουν και συσκευές καύσης αερίου ή άλλων καυσίμων, πρέπει να εξασφαλίζεται πάντα επαρκής αερισμός.

• Ο απορροφητήρας πρέπει να καθαρίζεται συστηματικά, τόσο εσωτερικά όσο και εξωτερικά (ΤΟΥΛΑΧΙΣΤΟΝ ΜΙΑ ΦΟΡΑ ΤΟΝ ΜΗΝΑ), σε κάθε περίπτωση δώστε μεγάλη προσοχή στις οδηγίες συντήρησης του παρόντος εγχειριδίου.

• Η μη τήρηση των κανονισμών σχετικά με τον καθαρισμό του απορροφητήρα και την αντικατάσταση και καθαρισμό των φίλτρων μπορεί να προκαλέσει πυρκαγιές.

• Απαγορεύεται αυστηρά το μαγείρεμα σε φλόγα (φλαμπέ) κάτω από τον απορροφητήρα.

• Αντικαταστήστε τον λαμπτήρα μόνο με ίδιου τύπου λαμπτήρα (βλέπε κεφάλαιο συντήρησης/αντικατάστασης λαμπτήρων του παρόντος εγχειριδίου).

Η χρήση ελεύθερης φλόγας καταστρέφει τα φίλτρα και μπορεί να προκαλέσει πυρκαγιά, για αυτό θα πρέπει να αποφεύγεται. Το τηγάνισμα πρέπει να γίνεται υπό έλεγχο έτσι ώστε να αποφευχθεί φωτιά από υπερθέρμανση λαδιού.

ΠΡΟΕΙΔΟΠΟΙΗΣΗ: Όταν η μονάδα εστιών βρίσκεται σε λειτουργία, τα προσβάσιμα μέρη του απορροφητήρα μπορεί να είναι ζεστά.

• Μην συνδέετε τη συσκευή στο ηλεκτρικό δίκτυο εάν δεν έχει ολοκληρωθεί η εγκατάσταση.

• Πρέπει να τηρούνται πιστά όλοι οι ισχύοντες τοπικοί κανονισμοί για τα τεχνικά μέτρα και τα μέτρα ασφαλείας της εκκένωσης των καπνών.

• Ο αέρας που αποβάλλεται δεν πρέπει να κατευθύνεται σε αγωγό που χρησιμοποιείται για την εκκένωση καπνών που παράγονται από συσκευές καύσης αερίου ή άλλου είδους καύση.

• Μη χρησιμοποιείτε ή μην αφήνετε τον απορροφητήρα χωρίς λάμπες σωστά τοποθετημένες, εξαιτίας ενδεχόμενου κινδύνου ηλεκτροπληξίας.

• Μη χρησιμοποιείτε ποτέ τον απορροφητήρα αν δεν είναι σωστά τοποθετημένο το μεταλλικό πλέγμα!

• Μη χρησιμοποιείτε ΠΟΤΕ τον απορροφητήρα σαν επίπεδο στήριξης, εκτός αν αναφέρεται ρητά στο εγχειρίδιο.

• Χρησιμοποιήστε μόνο τις βίδες στερέωσης που παρέχονται με το προϊόν εγκατάστασης ή, αν δεν παρέχονται, προμηθευτείτε τον σωστό τύπο βιδών.

• Χρησιμοποιήστε το σωστό μέγεθος βιδών, όπως ορίζεται στις Οδηγίες εγκατάστασης.

• Σε περίπτωση αμφιβολίας, συμβουλευτείτε αντιπρόσωπο ή εξουσιοδοτημένο κέντρο εξυπηρέτησης.

▲ ΠΡΟΣΟΧΗ!

• Εάν η εγκατάσταση βιδών και σπηριγμάτων στερέωσης δεν γίνει σύμφωνα με τις οδηγίες, μπορεί να προκληθούν κίνδυνοι ηλεκτρικής φύσεως.

• Να μην χρησιμοποιείται με προγραμματιστή, χρονόμετρο, ξεχωριστό τηλεχειριστήριο ή οποιοδήποτε άλλη συσκευή που ενεργοποιείται αυτομάτως.

Φυλάξτε τα παιδιά κάτω των 3 ετών μακριά από τη συσκευή. Σε περίπτωση που δεν υπάρχει συνεχής επίβλεψη ενός ενήλικα, φυλάξτε τη συσκευή μακριά από παιδιά κάτω των 8 ετών.

- ▲ ΠΡΟΣΟΧΗ: η συσκευή δεν προορίζεται για λειτουργία μέσω εξωτερικής διάταξης ή ξεχωριστού συστήματος απομακρυσμένου ελέγχου.
 - ▲ Η παρούσα συσκευή δεν προορίζεται για επαγγελματική χρήση. Μην χρησιμοποιείτε τη συσκευή σε εξωτερικούς χώρους.
 - ▲ Για την αποφυγή του κινδύνου ατομικών τραυματισμών, η συσκευή πρέπει να μεταφέρεται και να εγκαθίσταται από δύο ή περισσότερα άτομα.
 - ▲ Η εγκατάσταση, συμπεριλαμβανομένων των πιθανών συνδέσεων για την υδροδότηση (εφόσον προβλέπονται) και των ηλεκτρικών συνδέσεων, καθώς και οι εργασίες επιδιόρθωσης πρέπει να εκτελούνται από ειδικευμένο προσωπικό. Μόλις ολοκληρωθεί η εγκατάσταση, φυλάξτε το υλικό συσκευασίας (πλαστικά μέρη, φελιζόλ, κλπ.) μακριά από παιδιά για την αποφυγή του κινδύνου ασφυξίας.
- Μην χρησιμοποιείτε τη συσκευή αν είστε βρεγμένοι ή με γυμνά πόδια.
Ποτέ μην χρησιμοποιείτε συσκευές καθαρισμού με ατμό – κίνδυνος ηλεκτροπληξίας.



Το υλικό της συσκευασίας είναι ανακυκλώσιμο 100% και φέρει το σύμβολο της ανακύκλωσης. **Ο απορροφητήρας μπορεί να παρουσιάσει διαφορές σε σχέση με τα σχέδια του παρόντος εγχειρίδιου. Παρόλα αυτά, οι οδηγίες χρήσης, συντήρησης και εγκατάστασης παραμένουν οι ίδιες.**

Ακολουθήστε αυστηρά τις οδηγίες που αναφέρονται σε αυτό το εγχειρίδιο. Δεν αναλαμβάνουμε καμία ευθύνη για τυχόν δυσχερείς, ζημιές ή πυρκαγιές που προκαλούνται και προέρχονται από την μη τήρηση των οδηγιών που αναφέρονται σε αυτό το εγχειρίδιο. Ο απορροφητήρας έχει κατασκευαστεί για την απορρόφηση καπνών και ατμών μαγειρέματος και έχει σχεδιαστεί αποκλειστικά για οικιακή χρήση.

- Είναι σημαντικό να διατηρήσετε το παρόν εγχειρίδιο για να το συμβουλευέστε οποιαδήποτε στιγμή το χρειάζεστε! Σε περίπτωση πώλησης, δανεισμού ή μετακόμισης, βεβαιωθείτε ότι βρίσκεται συσκευασμένο μαζί με το προϊόν!
- Διαβάστε προσεκτικά τις οδηγίες: περιέχουν χρήσιμες πληροφορίες για την εγκατάσταση και χρήση του προϊόντος και για την ασφάλεια σας!
- Μην επιφέρετε ηλεκτρικές ή μηχανικές αλλαγές στο προϊόν ή στους σωλήνες εξάερωσης!
- Πρίν προχωρήσετε σ την εγκατάσταση της συσκευής βεβαιωθείτε ότι όλα τα εξαρτήματα δεν έχουν υποστεί ζημιά. Σε αντίθεση περίπτωση να έρθετε σε επαφή με τον πωλητή σας και να μην συνεχίσετε με την εγκατάσταση.

Η ελάχιστη απόσταση μεταξύ της επιφάνειας της βάσης εστιών και του κατώτερου μέρους του απορροφητήρα κουζίνας δεν πρέπει να είναι μικρότερη των 50εκ. στην περίπτωση ηλεκτρικών κουζινών και των 65εκ στην περίπτωση κουζινών υγραερίου ή μικτών.

Εάν οι οδηγίες εγκατάστασης για βάση εστιών με αέριο καθορίζουν μια μεγαλύτερη απόσταση, πρέπει να την λάβετε υπόψη.

ΗΛΕΚΤΡΙΚΗ ΣΥΝΔΕΣΗ

Η τάση των κεντρικών αγωγών πρέπει να αντιστοιχεί σε αυτήν που αναγράφεται στην χαρακτηριστική ετικέτα, τοποθετημένη στο εσωτερικό του απορροφητήρα. Εάν παρέχεται η πρίζα, συνδέστε τον απορροφητήρα με παροχή ρεύματος που, σύμφωνα με τους προβλεπόμενους κανονισμούς, πρέπει να βρίσκεται σε προσπή ζώνη, ακόμη και μετά την εγκατάσταση. Εάν δεν παρέχεται η πρίζα (προβλεπόμενη σύνδεση απευθείας με το ρεύμα) ή η πρίζα δεν είναι σε προσβάσιμη ζώνη, ακόμη και μετά την εγκατάσταση, εφαρμόστε έναν διπολικό διακόπτη ώστε να πληρεί τους κανόνες ασφαλείας που εξασφαλίζουν την ολοκληρωμένη αποσύνδεση του συστήματος σε περίπτωση υπέρτασης (κατηγορίας III), σύμφωνα με τις οδηγίες και τους κανόνες εγκαταστάσεως.

▲ ΠΡΟΕΙΔΟΠΟΙΗΣΗ!

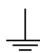
πριν συνδέσετε το σύστημα του απορροφητήρα με την ηλεκτρική εγκατάσταση και βεβαιωθείτε για την σωστή του λειτουργία, να ελέγχετε πάντοτε εάν το καλώδιο σύνδεσης είναι ορθά μονταρισμένο.

Αν το καλώδιο δεν διαθέτει βύσμα, συνδέστε τα σύρματα σύμφωνα με τον ακόλουθο πίνακα:

Τάση και συχνότητα του δικτύου

Συμβουλευτείτε την τιμή που αναφέρεται στην ετικέτα με τα χαρακτηριστικά στο εσωτερικό του απορροφητήρα.

Σύνδεση συρμάτων

 : κίτρινο/πράσινο

N : μπλε

L : καφέ

Αντικατάσταση του καλωδίου τροφοδοσίας

Ο απορροφητήρας έχει ένα ειδικό ηλεκτρικό καλώδιο τροφοδοσίας. Σε περίπτωση φθοράς του καλωδίου, ζητήστε το από την υπηρεσία τεχνικής βοήθειας.

ΕΚΚΕΝΩΣΗ ΤΟΥ ΑΕΡΑ

(για τους απορροφητήρες με λειτουργία αναρρόφησης)

Συνδέστε τον απορροφητήρα με τους σωλήνες εκκένωσης καπνών πάνω στον τοίχο με διάμετρο αντίστοιχη της εξόδου αέρα.

Η χρήση σωλήνων μικρότερης διαμέτρου έχει σαν αποτέλεσμα την μείωση της απορροφητικής ικανότητας και τη δραστική αύξηση του

θορύβου.

Δεν αναλαμβάνουμε καμία ευθύνη για το συγκεκριμένο θέμα.

! Χρησιμοποιήστε έναν αγωγό όσο το δυνατόν μικρότερου μήκους.

! Χρησιμοποιήστε έναν αγωγό με όσο το δυνατόν λιγότερες γωνίες (μέγιστη γωνία : 90°).

! Αποφεύγετε δραστικές αλλαγές της διατομής του αγωγού.

! Η εταιρεία δε φέρει καμία ευθύνη σε περίπτωση μη τήρησης των εν λόγω κανονισμών.

ΦΙΛΤΡΑΡΙΣΜΑ Ή ΑΝΑΡΡΟΦΗΣΗ?

! Ο απορροφητήρας με λειτουργία αναρρόφησης είναι έτοιμος να χρησιμοποιηθεί.

Για να μπορέσετε να χρησιμοποιήσετε τον απορροφητήρα με λειτουργία αναρρόφησης, θα πρέπει να εγκαταστήσετε το κατάλληλο ΚΙΤ ΕΞΑΡΤΗΜΑΤΩΝ.

Ελέγξτε στις πρώτες σελίδες τους εγχειριδίου αν το ΚΙΤ ΕΞΑΡΤΗΜΑΤΩΝ ήδη παρέχεται ή αν θα πρέπει να αγοραστεί ξεχωριστά.

Σημείωση: Αν το kit παρέχεται, και σε ορισμένες περιπτώσεις, το επιπρόσθετο σύστημα φιλτραρίσματος με φίλτρα ενεργού άνθρακα μπορεί να είναι ήδη εγκατεστημένο στον απορροφητήρα.

Οι πληροφορίες για τη μετατροπή του απορροφητήρα αναρρόφησης σε απορροφητήρα φιλτραρίσματος εμπεριέχονται στο εγχειρίδιο.

Έκδοση αναρρόφησης

Σε αυτήν την περίπτωση οι ατμοί αποβάλλονται στο εξωτερικό περιβάλλον μέσω ενός ειδικού αγωγού εξερισμού που συνδέεται με το δακτύλιο σύνδεσης που βρίσκεται στο πάνω μέρος του απορροφητήρα.

⚠ ΠΡΟΕΙΔΟΠΟΙΗΣΗ!

Ο σωλήνας εξερισμού δεν παρέχεται και πρέπει να αγοραστεί.

Η διάμετρος του αγωγού εξερισμού πρέπει να είναι αντίστοιχη με την διάμετρο του δακτυλίου σύνδεσης.

⚠ ΠΡΟΕΙΔΟΠΟΙΗΣΗ!

Εάν ο απορροφητήρας έχει φίλτρο ενεργού άνθρακα, τότε αυτό πρέπει να αφαιρεθεί.

Έκδοση φιλτραρίσματος

Το φίλτρο αφαιρεί τα λίπη και τις μυρωδιές από τον εξαγόμενο αέρα πριν διοχετευτεί στο εσωτερικό του δωματίου μέσω της επάνω σχάρας. Προκειμένου να χρησιμοποιήσετε τον απορροφητήρα σε αυτό τον τύπο, πρέπει να εγκαταστήσετε ένα σύστημα πρόσθετου φιλτραρίσματος, βασισμένο στον ενεργό άνθρακα.

ΕΝΤΟΛΕΣ

Ο απορροφητήρας είναι εξοπλισμένος με πίνακα ελέγχου που έχει τη δυνατότητα ελέγχου επιλογής ταχυτήτων και με διακόπτη φωτισμού για να ελέγχει το φωτισμό στη μαγειρική ζώνη.



T1



T2



T3

P

T4

ZEN

T5



T6



Μοτέρ ανεμιστήρα / ON/OFF 1η ταχύτητα



Μοτέρ ανεμιστήρα / ON/OFF 2η ταχύτητα



Μοτέρ ανεμιστήρα / ON/OFF 3η ταχύτητα

P

Ενεργοποίηση/απενεργοποίηση λειτουργίας "POWER BOOST" (χρονοελεγχόμενη)

Σημείωση: ο απορροφητήρας θα επιστρέψει σε λειτουργία με 3η ταχύτητα, μετά από πέντε λεπτά.

ZEN

Λειτουργία ενεργοποίησης/ απενεργοποίησης "Λειτουργίας ZEN"

Σημείωση: αυτή η λειτουργία καθιστά δυνατή την ενεργοποίηση της ταχύτητας εξαγωγής με τέλεια ισορροπία ανάμεσα στην αθόρυβη λειτουργία και την απόδοση εξαγωγής.





Κεντρικό φως ANAMMENO/ΣΒΗΣΤΟ


ΣΥΝΑΓΕΡΜΟΣ/ΕΠΑΝΑΦΟΡΑ ΦΙΛΤΡΟΥ ΛΙΠΟΥΣ/ΑΝΘΡΑΚΑ

Σε τακτικά διαστήματα, ο απορροφητήρας επισημαίνει την ανάγκη συντήρησης του φίλτρου.

Σημείωση: Οι ενδείξεις θα λειτουργήσουν μόνο για 40 δευτ. μετά την απενεργοποίηση της ταχύτητας του μοτέρ του ανεμιστήρα.

Τα  +  αναβοσβήνουν: προχωρήστε σε συντήρηση του φίλτρου λίπους.

Τα  + **P** αναβοσβήνουν: προχωρήστε σε συντήρηση του φίλτρου άνθρακα.

Σημείωση: ο συναγερμός του φίλτρου άνθρακα είναι συνήθως απενεργοποιημένος, για να τον ενεργοποιήσετε: απενεργοποιήστε τον απορροφητήρα, μετά πιέστε και κρατήστε πατημένα τα  + **P** για περισσότερο από 3 δευτ., και οι δύο ενδείξεις ανάβουν για περίπου 3 δευτ. υποδεικνύοντας ότι ο συναγερμός του φίλτρου άνθρακα είναι ενεργοποιημένος. Επαναλάβετε την ίδια διαδικασία για να τον απενεργοποιήσετε (και οι δύο ενδείξεις αναβοσβήνουν για περίπου 3 δευτ.).

Επαναφορά των δεικτών κορεσμού του φίλτρου

Κρατήστε πατημένα για περίπου 3 δευτ., τις ενδείξεις καθώς αναβοσβήνουν.

ΣΥΝΤΗΡΗΣΗ

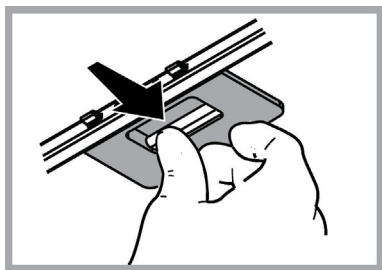
Καθαρισμός

Για τον καθαρισμό χρησιμοποιήστε **ΑΠΟΚΛΕΙΣΤΙΚΑ** ένα υγρό πανί με ουδέτερα υγρά απορρυπαντικά. **ΜΗΝ ΧΡΗΣΙΜΟΠΟΙΕΙΤΕ ΕΡΓΑΛΕΙΑ Ή ΜΕΣΑ ΚΑΘΑΡΙΣΜΟΥ!** Αποφύγετε τη χρήση λειαντικών μέσων. **ΜΗ ΧΡΗΣΙΜΟΠΟΙΕΙΤΕ ΑΛΚΟΟΛ!**

Συντήρηση των φίλτρων λίπους

Συγκρατεί τα σωματίδια λίπους που προέρχονται από το μαγείρεμα.

Πρέπει να καθαρίζεται μια φορά τον μήνα (ή όταν το σύστημα ένδειξης κορεσμού των φίλτρων – εάν προβλέπεται στο μοντέλο που έχετε αποκτήσει – δείχνει αυτή την αναγκαιότητα), με απορρυπαντικά που δεν χαραξουν, είτε στο χέρι ή στο πλυντήριο πιάτων το οποίο πρέπει να ρυθμιστεί σε χαμηλή θερμοκρασία και σε σύντομο κύκλο. Με το πλύσιμο στο πλυντήριο πιάτων το φίλτρο για τα λίπη μπορεί ελαφρώς να χάσει το χρώμα του αλλά αυτό δεν μεταβάλλει τις ιδιότητες φιλτραρίσματος. Για να βγάλετε το φίλτρο για τα λίπη τράβηξε την λαβή αποσυμπλοκής.



Συντήρηση του φίλτρου άνθρακα

Απορροφά τις δυσάρεστες οσμές που προέρχονται από το μαγείρεμα.

Ο κορεσμός του φίλτρου ενεργού άνθρακα συντελείται, λίγο πολύ, από την παρατεταμένη χρήση ανάλογα με τον τύπο του μαγειρέματος και την συχνότητα καθαρισμού του φίλτρου για τα λίπη. Σε κάθε περίπτωση είναι αναγκαία η αντικατάσταση του φίλτρου το αργότερο κάθε τέσσερις μήνες (ή όταν το σύστημα ένδειξης του κορεσμού των φίλτρων – εάν προβλέπεται στο μοντέλο που κατέχετε – δείχνει αυτή την ανάγκη).

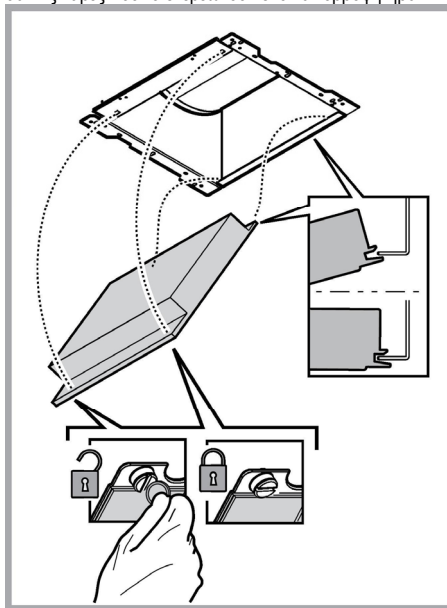
ΔΕΝ μπορεί να πλυθεί ή να αναγεννηθεί

Μοντάρισμα

Αγκιστρώστε το φίλτρο ενεργού άνθρακα πρώτα στην οπίσθια μεταλλική εσχρή του απορροφητήρα και κατόπιν εμπρόσθια στις δυο λαβές.

Αποσυναρμολόγηση

Αφαιρέστε το φίλτρο ενεργού άνθρακα περιστρέφοντας κατά 90° τις λαβές που το στερεώνουν στον απορροφητήρα.



Αντικατάσταση των λυχνιών

Ο απορροφητήρας διαθέτει σύστημα φωτισμού που χρησιμοποιεί την τεχνολογία LED.

Η τεχνολογία LED εγγυάται άριστο φωτισμό, διάρκεια έως 10 φορές μεγαλύτερη των κοινών λαμπτήρων ενώ παράλληλα επιτρέπουν την εξοικονόμηση έως και του 90% της ηλεκτρικής ενέργειας.


Για την αντικατάσταση των λαμπτήρων, επικοινωνήστε με το εξουσιοδοτημένο κέντρο ανταλλακτικών.

ΑΠΟΡΡΙΨΗ

Αυτή η συσκευή φέρει σήμανση σύμφωνα με την Ευρωπαϊκή οδηγία 2012/19/EC σχετικά με τα Απορριπτόμενα ηλεκτρικά και ηλεκτρονικά εξαρτήματα (WEEE).

Εξασφαλίζοντας ότι το προϊόν αυτό απορρίπτεται σωστά, θα βοηθήσετε στην πρόληψη πιθανά αρνητικών επιπτώσεων για το περιβάλλον και την ανθρώπινη υγεία, οι οποίες θα μπορούσαν να δημιουργηθούν από τον ακατάλληλο χειρισμό αυτού του προϊόντος ως απόρριμμα.



Το σύμβολο  πάνω στο προϊόν, ή στα έγγραφα που συνοδεύουν το προϊόν, υποδεικνύει ότι αυτή η συσκευή δεν μπορεί να θεωρηθεί οικιακό απόρριμμα. Αντί για αυτό θα πρέπει να παραδοθεί στο κατάλληλο σημείο περισυλλογής για την ανακύκλωση των ηλεκτρικών και ηλεκτρονικών εξαρτημάτων. Η απόρριψη του πρέπει να πραγματοποιείται τηρώντας την τοπική νομοθεσία για την διάθεση των απορριμμάτων.

Για πιο λεπτομερείς πληροφορίες σχετικά με την επεξεργασία, την περισυλλογή και την ανακύκλωση αυτού του προϊόντος, παρακαλούμε επικοινωνήστε με το αρμόδιο γραφείο την τοπικής αυτοδιοίκησης, την τοπική σας υπηρεσία αποκομιδής οικιακών απορριμμάτων ή το κατάστημα όπου αγοράσατε αυτό το προϊόν.

Η συσκευή έχει σχεδιαστεί, δοκιμαστεί και κατασκευαστεί σύμφωνα με την:

- Ασφάλεια: EN/IEC 60335-1; EN/IEC 60335-2-31, EN/IEC 62233.
- Επίδοση: EN/IEC 61591; ISO 5167-1; ISO 5167-3; ISO 5168; EN/IEC 60704-1; EN/IEC 60704-2-13; EN/IEC 60704-3; ISO 3741; EN 50564; IEC 62301.
- EMC: EN 55014-1; CISPR 14-1; EN 55014-2; CISPR 14-2; EN/IEC 61000-3-2; EN/IEC 61000-3-3. Προτάσεις για μια σωστή χρήση ούτως ώστε να μειωθούν οι περιβαλλοντικές επιπτώσεις: Ενεργοποιήστε τον απορροφητήρα στην ελάχιστη ταχύτητα όταν αρχίσετε το μαγείρεμα και αφήστε τον αναμμένο για λίγα λεπτά μετά το τέλος του μαγειρέματος. Αυξήστε την ταχύτητα μόνο σε περίπτωση μεγάλης συγκέντρωσης καπνού και ατμού και χρησιμοποιήστε την επιταχυνόμενη ταχύτητα μόνο σε ακραίες καταστάσεις. Αντικαταστήστε το φίλτρο ενεργού άνθρακα όταν θα πρέπει να διατηρηθεί μια καλή απόδοση της μείωσης της οσμής. Καθαρίστε το φίλτρο λίπους όταν θα πρέπει να διατηρηθεί μια καλή απόδοση του φίλτρου λίπους. Χρησιμοποιήστε τη μέγιστη διάμετρο του συστήματος των σωληνώσεων που υποδεικνύεται στο εγχειρίδιο αυτό, ούτως ώστε να βελτιστοποιηθεί η απόδοση και να ελαχιστοποιηθεί ο θόρυβος.





ΔΥΣΛΕΙΤΟΥΡΓΙΕΣ

Αν φαίνεται ότι υπάρχει κάτι που δεν λειτουργεί, πριν καλέσετε την υπηρεσία τεχνικής υποστήριξης εκτελέστε τους εξής απλούς ελέγχους:

- Αν δεν λειτουργεί ο απορροφητήρας:
Ελέγξτε ότι:
 - δεν υπάρχει διακοπή του ηλεκτρικού ρεύματος.
 - έχει επιλεγεί μια ταχύτητα.
- Αν ο απορροφητήρας έχει μειωμένη απόδοση:
Ελέγξτε ότι:
 - Η επιλεγμένη ταχύτητα του κινητήρα είναι αρκετή για την ποσότητα του καπνού και των ελεύθερων ατμών.
 - Η κουζίνα αερίζεται επαρκώς επιτρέποντας την λήψη αέρα.
 - Το φίλτρο άνθρακα δεν έχει φθαρεί (απορροφητήρας σε έκδοση φιλτραρίσματος).
- Αν ο απορροφητήρας έχει απενεργοποιηθεί κατά την εξέλιξη της ομαλής λειτουργίας:
Ελέγξτε ότι:
 - δεν υπάρχει διακοπή του ηλεκτρικού ρεύματος.
 - δεν έχει ενεργοποιηθεί η συσκευή του οπτι-πολικού διακόπτη.

Σε περίπτωση ενδεχομένων δυσλειτουργιών, πριν απευθυνθείτε στην υπηρεσία τεχνικής υποστήριξης, αποσυνδέστε για 5 δευτ. τουλάχιστον τη συσκευή της ηλεκτρικής τροφοδοσίας βγάζοντας το φις και στη συνέχεια συνδέστε το ξανά. Σε περίπτωση που η δυσλειτουργία παραμένει, απευθυνθείτε στην υπηρεσία τεχνικής υποστήριξης.

ΤΕΧΝΙΚΑ ΣΤΟΙΧΕΙΑ

Ύψος (εκ.)	Πλάτος (εκ.)	Βάθος (εκ.)	Ø του σωλήνα εκκένωσης (εκ.)
 61,9-114,7  70,6-114,7	89,8	45	15
 61,9-114,7  70,6-114,7	59,8	45	15



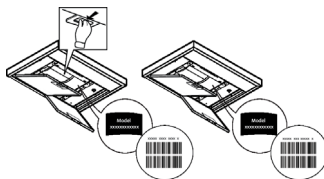
Εξαρτήματα που δεν παρέχονται με το προϊόν



Για να κατεβάσετε τις οδηγίες ασφαλείας, το εγχειρίδιο χρήσης, το τεχνικό δελτίο και τα ενεργειακά δεδομένα:

- Επισκεφθείτε την ιστοσελίδα docs.whirlpool.eu
- Χρησιμοποιήστε τον κωδικό QR

• Ή, επικοινωνήστε με την Υπηρεσία Εξυπηρέτησης (στον τηλεφωνικό αριθμό που αναγράφεται στο δελτίο εγγύησης). Όταν επικοινωνείτε με την Υπηρεσία Εξυπηρέτησης, να δηλώνετε τους κωδικούς που υπάρχουν στην πινακίδα μητρώου του προϊόντος.



ÁLTALÁNOS BIZTONSÁGI ELŐÍRÁSOK

• Bármilyen tisztítási és karbantartási művelet megkezdése előtt, a készüléket le kell választani az elektromos hálózatról! Húzza ki a készülék villásdugóját, vagy áramtalanítsa a háztartási elosztódoboz főkapcsolóját lekapcsolva!

- Minden beszerelési és karbantartási munkálathoz használjon munkavédelmi kesztyűt!
- A készüléket 8 éven felüli gyerekek, valamint a csökkent fizikális, érzékszervi és szellemi képességekkel bíró személyek, illetve azok, akik nem rendelkeznek megfelelő tudással és tapasztalattal, kizárólag megfelelő felügyelet mellett használhatják, illetve abban az esetben, ha megfelelő útmutatást kaptak a készülék biztonságos használatát illetően és megértették a készülék használatával járó veszélyeket!
- Ne engedje, hogy a gyermekek játsszanak a készülékkel!
- A készülék tisztítását és karbantartását gyermekek csak felügyelet mellett végezhetik!
- Az elszívó más, gáz- vagy egyéb tüzelőanyagú készülékkel való egyidejű használata esetén biztosítani kell a helyiség megfelelő szellőzését!
- Az elszívót mind belül, mind kívül (LEGALÁBB HAVONTA EGYSZER) rendszeres gyakorisággal tisztítani kell!

- A kézikönyvben feltüntetett karbantartási utasításokat minden esetben tartsa be!
- Az elszívó tisztítási előírásainak, valamint a szűrők cseréjének és tisztításának figyelmen kívül hagyása tűzveszélyt okoz! Az elszívó alatt szigorúan tilos nyílt lángon készíteni ételt!
- Az izzó cseréjéhez kizárólag az e kézikönyv „karbantartás - izzó cseréje” c. részben megadott típusú izzót használjon!

A nyílt láng használata károsítja a szűrőket és tűzveszélyt okozhat, emiatt minden esetben kerülni kell a nyílt láng használatát!

Ne hagyja őrizetlenül a sütést, mert a túlhevült olaj meggyulladhat!

FIGYELEM! A főzőlap működése közben az elszívó hozzáférhető részei felforrósodhatnak!

- Ne csatlakoztassa a készüléket az elektromos hálózatra, amíg a beszerelést teljesen el nem végezte!

- A füstelvezetéshez szükséges műszaki és biztonsági intézkedéseket illetően, az illetékes helyi hatóságok vonatkozó rendeleteit szigorúan tartsa be!
- A keringetett levegőt nem szabad a gáz- vagy egyéb égéstermék üzemű készülékek füstjének elvezetéséhez használt csőben szállítani!
- Ne használja az elszívót helytelenül felszerelt lámpával, illetve ne hagyja azt lámpa nélkül, mert áramütést okozhat!
- Soha ne használja az elszívót felszerelt rostély nélkül!
- Az elszívót SOHA ne használja tárolófelületként, hacsak az ilyen célra való használata nincs egyértelműen jelezve!
- Beszereléshez kizárólag a készülékhez mellékelte csavarokat használja! Amennyiben a csavar nem része a csomagnak, ügyeljen a megfelelő típusú csavarok beszerzésére!
- A beszerelési útmutatóban feltüntetett, megfelelő hosszúságú csavarokat használjon!
- Kétség esetén kérjen tájékoztatást a szakszerviztől, vagy hasonló képesítésű személyzettől!

▲ FIGYELEM!

- A csavarok és rögzítő elemeknek nem az útmutató szerinti felhelyezése áramütés-veszélyt okozhat!
- Ne használja programozóval, időzítővel, különálló távirányítóval vagy bármilyen más olyan eszközzel, amelyek automatikusan kapcsol be.

A 3 évesnél fiatalabb gyermekeket tartsa távol a készüléktől. Felnőtt állandó felügyelete nélkül a készüléket 8 évesnél fiatalabb gyermekektől tartsa távol.

▲ FIGYELEM: a készüléket ne üzemeltesse külső eszközzel vagy külön távirányítóval.

▲ Ez a készülék nem professzionális használatra készült. Ne használja a készüléket a szabadban.

▲ A személyi sérülés elkerülése érdekében a készüléket két vagy több embernek kell mozgatnia és telepítenie.

▲ A telepítést, beleértve a vízellátó csatlakozásokat (ha vannak) és az elektromos csatlakozásokat, valamint a javítási műveleteket, szakképzett személyzetnek kell elvégeznie.

A telepítés befejezése után tartsa a csomagolóanyagot (műanyag részeket, polisztirolt stb.) gyermekektől távol, hogy elkerülje a fulladást.

Ne használja a készüléket vizes testrészekkel vagy meztitáb.

Soha ne használjon gőztisztító berendezéseket - áramütés veszélye.



A csomagolóanyag 100% -ban újrahasznosítható és újrahasznosítási szimbólummal van ellátva

Az elszívó esztétikai megjelenésében eltérhet a jelen kézikönyv ábráin szereplőtől, de a használati, karbantartási és felszerelési utasítások nem változnak.

Ezen kézikönyv utasításait szigorúan be kell tartani. Az itt feltüntetett utasítások be nem tartásából származó bármilyen hiba, kár vagy tüzesettel kapcsolatban a gyártó felelősséget nem vállal. A páraelszívó a főzési pára és füst elszívására szolgál, kizárólag háztartási használatra.

- Fontos, hogy ezt a kézikönyvet megőrizze, hogy bármikor tájékozódhasson belőle. Eladás, átadás vagy költözés esetén gondoskodjon arról, hogy a kézikönyv a terméket kísérelje.
- Az útmutatásokat figyelmesen olvassa el: fontos tájékoztatások találhatók köztük a telepítésre, a használatra és a biztonságra vonatkozóan.
- Ne módosítsa a termék elektromos vagy mechanikai rendszerét, vagy a kivezető csöveket.
- A berendezés beszerelésének megkezdése előtt győződjön meg róla, hogy minden alkatrész sérülésmentes-e. Ellenkező esetben forduljon a viszonteladóhoz és ne szerelje fel a berendezést.

A főzőkészülék felülete és a konyhai szagelszívó legalsó része közötti minimális távolság nem lehet kisebb, mint 50cm elektromos főzőlap, és 65cm gáz vagy vegyes tüzelésű főzőlap esetén.

Ha a gázfőzőlap beszerelési utasításában ennél nagyobb távolság szerepel, azt kellfigyelembe venni.

ELEKTROMOS CSATLAKOZÁS

A hálózati feszültségnek azonosnak kell lennie a konyhai páraelszívó belsejében elhelyezett műszaki adattáblán feltüntetett feszültséggel. Ha az elszívó rendelkezik villásdugóval, csatlakoztassa egy hozzáférhető helyen elhelyezett, az érvényben lévő szabványoknak megfelelő dugaszoló aljzathoz, akár a beszerelést követően is. Ha nem rendelkezik csatlakozódugóval (közvetlen csatlakozás a hálózathoz) vagy a dugaszoló aljzat nem hozzáférhető, szereljen fel egy szabványos, kétpólusú megszakítót akár a beszerelést követően is, amely III. túláram-kategória esetén biztosítja a hálózatról való teljes leválasztását, a telepítési szabályoknak megfelelően.

▲ FIGYELEM!


Mielőtt az elszívó áramkörét visszakeríti a hálózatba és ellenőrzi, hogy az elszívó helyesen működik-e, mindig ellenőrizze azt is, hogy a hálózati vezeték beszerelése szabályos-e.

Ha a kábel nem rendelkezik csatlakozódugóval, csatlakoztassa a vezetékeket az alábbi táblázat szerint:

Hálózati feszültség és frekvencia

Lásd a páraelszívó belsejében található, a jellemzőket felsoroló címkén feltüntetett értéket.

Vezetékek

 : sárga/zöld

N : kék

L : barna

Elektromos vezeték cseréje

Az elszívó speciális kábellel rendelkezik, melynek sérülése esetén cseréjét kéri a szakszervíz szolgáltatótól.

LÉGKIVEZETÉS

(kivezetett verziónál)

Csatlakoztassa a páraelszívót a levegőkimenettel (csatlakozó karima) azonos átmérőjű kivezető csőhöz.

A kisebb átmérőjű cső használata az elszívás hatásfokának csökkenését és a készülék zajszintjének drasztikus növekedéséhez vezet. Ezért ezzel kapcsolatban felelősséget nem vállalunk.

! Minimális hosszúságú csővezetékét használjon.

! A csővezeték a lehető legkevesebb hajlattal rendelkezzen (maximális hajlásszög: 90°).

! Kerülje a cső deformálódását.

! A gyártó nem vállal felelősséget a fent leírt előírások be nem tartása esetén.

KERINGETETT VAGY KIVEZETETT ?

! Az Ön által vásárolt elszívó kivezetett változatban való alkalmazásra készült

Amennyiben a páraelszívót keringetett verzióban szeretné használni, úgy a megfelelő **KELLÉK KÉSZLETET** be kell szerelnie.

Ellenőrizze ezen kézikönyv első oldalain, hogy a **KELLÉK KÉSZLET** a csomag része-e, vagy külön szükséges-e megvásárolnia.

Megjegyzés: Amennyiben a készlet része, előfordulhat, hogy az aktív szénfilter alapú kiegészítő szűrőrendszer a páraelszívóba már beépítésre került.

A páraelszívó kivezetett verzióból keringetett verziójúvá való átalakításához szükséges információkat ebben a kézikönyvben megtalálja.

Kivezetett verzió

A gőzök kivezetése a gyújtókarimához rögzített elvezető csövön történik.

FIGYELEM!

Kivezetőcső nincs a csomagban, külön kell azt megvennie.

Az elvezetőcső átmérője az összekötő gyűrű átmérőjével azonos kell legyen

FIGYELEM!

Amennyiben az elszívó szénfilteres, szükséges annak kiemelése.

Keringetett verzió

Az elszívott levegő zsírtalanításra, majd szagtalanításra kerül, mielőtt a terembe visszaáramoltatásra kerülne. Az elszívó ilyen üzemmódban való használatához szükséges további, aktív szén alapú szűrőrendszer installálása.

VEZÉRLŐGOMBOK

Az elszívó szíváséresség-szabályozóval és főzőlapvilágítás-kapcsolóval ellátott kezelőpanellel rendelkezik.



T1



T2



T3

P

T4

ZEN

T5



T6



Ventilátor Motor / ON/OFF 1. sebesség



Ventilátor Motor / ON/OFF 2. sebesség



Ventilátor Motor / ON/OFF 3. sebesség

P

POWER BOOST™ ON/OFF funkció (idő-vezérelt)

Megjegyzés: az elszívó öt perc után visszatér a 3. sebességben való üzemeléshez.

ZEN "ZEN üzemmód" üzemelés ON/OFF funkció

Megjegyzés: Ezzel a funkcióval olyan elszívási fokozat állítható be, amely biztosítja a tökéletes egyensúlyt a halk működés és a hatékony elszívás között.

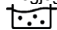




Fő világítás BE/KI

ZSÍR-/SZÉNSZŰRŐ RIASZTÁS/VISSZAÁLLÍTÁS

Az elszívó rendszeres időközönként jelzi, hogy a szűrő karbantartása szükséges.

Megjegyzés: A jelzők csak 40 másodpercre fognak működni, miután KIKAPCSOLTA a ventilátormotor sebességét.

 +  villog: végezze el a zsírszűrő karbantartását.

 + **P** villog: Végezze el a szénszűrő karbantartását.

Megjegyzés: szénszűrő riasztás általában ki van iktatva, a beiktatásához:kapcsolja KI az elszívót, majd nyomja meg és tartsa lenyomva a

 + **P**-et több mint 3 másodpercre, mindkét jelzés villog nagyjából 3 másodpercre, és jelzi, hogy a szénszűrő riasztás be van iktatva.

Ismételje meg a műveletet a kiiktatásához (mindkét jelzés villog nagyjából 3 másodpercen át).

A szűrő telítettségjelzőjének nullázása:

Nyomja meg és tartsa meg majdnem 3 másodperce a jelzést, miközben villog.

KARBANTARTÁS

Tisztítás

A tisztításhoz KIZÁRÓLAG semleges folyékony mosószerrel átitatott nedves ruhát használjon. **A TISZTÍTÁSHOZ NINCS SZÜKSÉG SEMMILYEN ESZKÖZRE.** Kerülje a súrolószert tartalmazó mosószerek használatát. **NE HASZNÁLJON ALKOHOLT!**

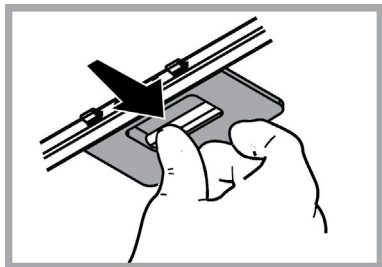
Zsírszűrők karbantartása

Visszatartja a főzésből eredő zsírrészecskéket.

Havonta egyszer (vagy amikor a filter telítődésjelző rendszere - ha a megvásárolt modell rendelkezik ilyenrel - jelzi, hogy szükség van rá) nem agresszív tisztítószerezrel, kézzel vagy mosogatógépben, alacsony hőfokon és rövid ciklussal el kell mosogatni.

Mosogatógépben történő mosogatás a zsírszűrő elszíneződését okozhatja, de ez nem változtat hatékonyságán.

A zsírszűrő filter leszereléséhez húzza meg a rugós horgot.



Szénfilter karbantartása

Magában tartja a főzésből származó kellemetlen szagokat.

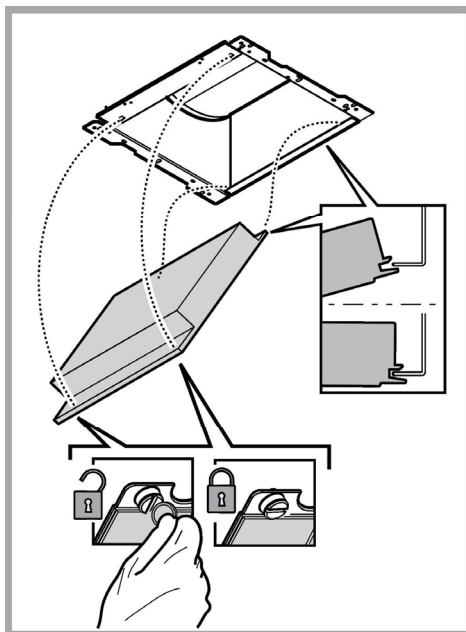
A szénfilter telítődése többé vagy kevésbé hosszú idő alatt történik meg, a tűzhely típusától és a zsírszűrő tisztogatásának rendszerességétől függően. Mindenképpen cserélni kell a betétet legalább négyhavonként (vagy amikor a filterek telítődését jelző rendszer – ha a birtokunkban lévő modellnél van ilyen - ennek szükségességét jelzi.

NEMŐZE byt' umývaný alebo regenerovaný.

Szerelés

Helyezze be az aktív szénszűrőt, annak hátsó részét az elszívó fém nyelveire akasztva, az első részét a két gombbal rögzítve.

Az aktív szénszűrő kiemelése a szűrőt az elszívóhoz rögzítő gombok 90°-os elforgatásával lehetséges.



Izzók cseréje

Az elszívó LED technológiára épülő világítási rendszerrel van felszerelve.

A LEDEK optimális megvilágítást biztosítanak, a hagyományos lámpák élettartamánál 10-szer nagyobb élettartammal rendelkeznek, mindemellett 90%-os elektromos energia megtakarítást tesznek lehetővé.

Az izzó cseréjéhez vegye fel a kapcsolatot a hivatalos alkatrész kereskedőkkel!

HULLADÉK KEZELÉS

A készüléken található jelzés megfelel az elektromos és elektronikus berendezések hulladékairól szóló 2012/19/EC európai irányelvben (WEEE) foglalt előírásoknak.

A hulladékká vált termék szabályszerű elhelyezésével Ön segít elkerülni a környezettel és az emberi egészséggel kapcsolatos azonnali negatív következményeket, amelyeket a termék nem megfelelő hulladékkezelése egyébként okozhatna.

A terméken vagy a termékhez mellékelte dokumentumokon feltüntetett



■ jelzés arra utal, hogy ez a termék nem kezelhető háztartási hulladékként. Ehelyett a terméket a villamos és elektronikus berendezések újrahasznosítását végző telephelyek valamelyikén kell leadni.

Kiselejtezőskor a hulladéktávollításra vonatkozó helyi környezetvédelmi előírások szerint kell eljárni.

A termék kezelésével, hasznosításával és újrahasznosításával kapcsolatos bővebb tájékoztatásért forduljon a lakóhelye szerinti polgármesteri hivatalhoz, a háztartási hulladékok kezelését végző társasághoz vagy ahhoz a bolthoz, ahol a terméket vásárolta.

A berendezést a következő szabványoknak megfelelően tervezték, gyártották, és ellenőrizték:

• Biztonság: EN/IEC 60335-1; EN/IEC 60335-2-31, EN/IEC 62233.

• Teljesítmény: EN/IEC 61591; ISO 5167-1; ISO 5167-3; ISO 5168; EN/IEC 60704-1; EN/IEC 60704-2-13; EN/IEC 60704-3; ISO 3741; EN 50564; IEC 62301.

• Elektromágneses összeférhetőség EMC: EN 55014-1; CISPR 14-1; EN 55014-2; CISPR 14-2; EN/IEC 61000-3-2; EN/IEC 61000-3-3.

A megfelelő használatot és a környezetre gyakorolt káros hatás mérséklését elősegítő javaslatok: Az elszívót a minimum sebességen kapcsolja be akkor, amikor a főzést megkezdji, és hagyja néhány percig üzemelni még azt követően is, hogy a főzést befejezte. A berendezést csak akkor kapcsolja nagyobb sebességfokozatra, ha a főzés közben nagy mennyiségű füst vagy gőz keletkezik, és csak akkor használja az intenzív sebességet, ha arra ténylegesen szükség van. Cserélje ki a szénzsűrőt akkor, amikor a berendezés jelzi ennek szükségességét, így biztosíthatja, hogy a készülék hatékonyan nyeli el a szagokat. A megfelelő szűrőképesség biztosítása érdekében cserélje ki a zsírszűrőt akkor, amikor a berendezés erre figyelmeztet. A hatékonyság növelése és a zajszint csökkentése érdekében tanácsos a jelen útmutató által megadott maximális csőátmérőket alkalmazni.





MŰKÖDÉSI HIBÁK

Amennyiben úgy tapasztalja, hogy valami nem működik, mielőtt a Szervíz szolgálathoz fordulna, próbálja elvégezni az alábbi egyszerű ellenőrzéseket:

- Ha az elszívó nem működik
Ellenőrizze, hogy:
 - nincs-e áramkimaradás.
 - be van-e állítva a sebesség.
- Ha az elszívó alacsony teljesítményű
Ellenőrizze, hogy:
 - A kiválasztott motorsebesség megfelelő-e a keletkezett füst- és gőz elvezetésére
 - A konyha megfelelően szellőzőt-e a működéshez szükséges levegő biztosításához.
 - A szénfilter nem használódott-e el (kivezetett verziójú páraelszívó).
- Ha az elszívó normál működés közben állt le:
Ellenőrizze, hogy:
 - nincs-e áramkimaradás.
 - a biztosíték nem kapcsolódott-e le.

Az esetleges működési hibák esetén, mielőtt a szakszervízhez fordulna, húzza ki a készülék villásdugóját az elektromos hálózatról legalább 5 másodpercre, majd próbálja újra áram alá helyezni. Amennyiben a hiba továbbra is fennáll, forduljon a szakszervízhez.

MŰSZAKI ADATOK

Magasság (cm)	Szélesség (cm)	Mélység (cm)	Kivezetőcső átmérője (cm)
 61,9-114,7  70,6-114,7	89,8	45	15
 61,9-114,7  70,6-114,7	59,8	45	15

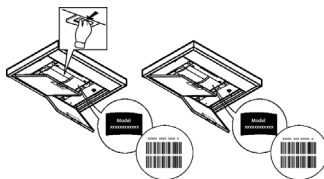


Készletben nem mellékelt termékek



A Biztonsági útmutatót, a Használati útmutatót, a termékspecifikációt és az energiafogyasztási adatokat letöltheti:

- a docs.whirlpool.eu honlapról
- a QR-kód segítségével
- Vagy **vegye fel a kapcsolatot a vevőszolgálattal** (a telefonszámot lásd a garanciafüzetben). Amikor a vevőszolgálatot hívja, kérjük, hogy készítse elő a termék azonosító lemezén látható adatokat.



ADVARSEL

- Før det utføres et hvilket som helst vedlikehold eller rengjøring må hetten kobles fra strømmen, enten ved å dra ut støpselet eller ved å kutte strømmen i hele huset.
 - Bruk alltid arbeidshansker under hele installasjonen og når det utføres vedlikehold.
 - Dette apparatet kan benyttes av barn fra 8 år og oppover og av personer med svekkede fysiske, følelsesmessige eller mentale egenskaper, eller manglende erfaring og kjennskap, hvis de overvåkes eller hvis de er opplært til å ta apparatet i bruk på en sikker måte og er informert om tilhørende farer.
 - Pass på at barn ikke leker med apparatet.
 - Rengjøring og vedlikehold må ikke utføres av barn, med mindre de overvåkes.
 - Rommet må være tilstrekkelig ventilert hvis hetten anvendes sammen med andre apparater som forbrenner gass eller annet brensel.
 - Hetten må rengjøres ofte både innvendig og utvendig (MINST EN GANG I MÅNED), ta hensyn til informasjonene skrevet i bruksanvisning og vedlikehold håndbok.
 - Manglende overholdelse av rengjørings indikasjon samt som erstatning og rengjør av filter kan føre til brann fare.
 - Det er strengt forbudt å lage flambert mat under hetten.
 - Bruk kun samme type lyspære som indikeres i avsnittet vedlikehold/utbytting av lyspære i denne veiledningen når lyspæren skal byttes ut.
- Frie flammer kan skade filtrene og medføre brann og må derfor alltid unngås.
Frityrsteking må overvåkes for å unngå at oljen blir for varm og antennes.
VÆR OPPMERKSOM: Hettens tilgjengelige deler kan bli varme når koketoppen er i drift.
- Ikke kobl apparatet til strømmettet før installasjonen er helt ferdig.
 - Når det gjelder tekniske mål og sikkerhet for røykuttak, følg nøye alle lokale forskrifter og regler.
 - Oppsugd luft må ikke føres inn i et rør som benyttes som uttak for apparater med gassforbrenning eller annen brensel.
 - Ikke bruk hetten uten lyspære eller med feilmontert lyspære, da det finnes fare for elektriske støt.
- Ikke bruk hetten med feilmontert rist!
Hetten må ALDRIG brukes som støtteflate, med mindre dette er uttrykkelig indikert.
- Bruk kun de festeskruene som leveres sammen med apparatet for å utføre installasjonen eller, hvis de ikke utleveres, kjøp riktige skruer.
 - Bruk riktig lengde på skruene som er oppført i Installasjonsveiledningen.
 - Vennligst ta kontakt med et autorisert servicesenter eller lignende kvalifisert personell hvis man er i tvil.

▲ VÆR OPPMERKSOM!

- Manglende installasjon av skruer og festeanordninger i samsvar med disse instruksjonene kan føre til elektriske farer.
- Ikke bruk tidsmåler, timer, separat fjernkontroll eller andre typer anordninger som aktiveres automatisk.

Barn under 3 års alder må holdes på avstand fra apparatet. Barn under 8 års alder må holdes på avstand fra apparatet dersom de ikke holdes under konstant oppsyn av en voksen.

▲ OBS! Apparatet er ikke utviklet for å styres av eksterne enheter eller separate fjernstyrte systemer.

▲ Dette apparatet er ikke utviklet for profesjonell bruk. Ikke bruk apparatet under åpen himmel.

▲ For å motvirke risikoen for personskader må apparatet flyttes og installeres av to eller flere personer.

▲ Installasjonen innbefatter også eventuelle opplegg for vannforsyning og elektriske forbindelser, og reparasjonsinngrep må derfor utføres av kvalifisert personell.

Når installasjonen er fullført må alt emballasjemateriell (plast, styrenplast osv.) holdes på avstand fra barn. Dette for å unngå

kvelningsrisiko. .

Apparatet må ikke brukes av våte personer eller personer med våte føtter.
Ikke bruk apparatet til dampvask - risiko for elektriske støt.

Emballasjemateriell er 100% resirkulerbart og avmerket med gjenvinningsymbol



Ventilatorhetten kan se annerledes ut enn det som vises på tegningene i denne håndboken. Bruksanvisningen, vedlikehold og installasjon forblir allikevel de samme.

Instruksjonene i denne håndboken må følges nøye. Produsenten fraskriver seg ethvert ansvar for eventuelle uhell, skader eller brann på apparatet som skyldes at bruksanvisningen i denne håndboken ikke har blitt overholdt. Ventilatoren er ment for avtrekk av røyk og damp fra matlagning og er kun til husholdningsbruk.

- Det er viktig å oppbevare denne håndboken for å kunne konsultere den i ethvert øyeblikk. Ved salg, overdragelse eller flytting av produktet, må man forsikre seg om at den følger med.
- Les bruksanvisningen nøye: den inneholder viktige informasjonen om installasjon, bruk og sikkerhet.
- Ikke utfør elektriske eller mekaniske endringer på produktet eller på avtrekksrørene.
- Før man fortsetter med installasjon av apparatet, skal man undersøke at ingen komponenter er skadet. Hvis det skulle være skade på komponentene, skal man ta kontakt med forhandleren og ikke fortsette med installasjonen.

Minimumsavstanden mellom koketoppen og undersiden av kjøkkenventilatoren må ikke være på mindre enn 50cm når det gjelder elektriske kokeplater og 65cm når det gjelder gassbluss og kombinerte koketopper.

Dersom bruksanvisningen for et gasskokeapparat opererer med en større avstand, må denne overholdes.

ELEKTRISK TILKOBLING

Nettspenningen må være i samsvar med den elektriske spenningen som angis på typeskiltet inne i ventilatoren. Hvis det følger med støpsel, kobles ventilatoren til en lett tilgjengelig stikkontakt som er godkjent i henhold til gjeldende normer. Stikkontakten må være lett tilgjengelig også etter installasjonen. Hvis det ikke følger med støpsel (direkte kobling til strømmettet), eller stikkontakten selv etter installasjonen ikke er lett tilgjengelig, må man sette på en godkjent topolet bryter som garanterer fullstendig frakobling fra strømmettet i situasjonene som oppstår i kategorien overspenning III, i henhold til installasjonsreglene.

MERK!


Før man kobler ventilatorens strømkrets til strømmettet og fastslår at alt fungerer korrekt, må man alltid kontrollere at strømledningen er korrekt montert.

Dersom det ikke er montert et støpsel på ledningen, må du gå fram i henhold til tabellen nedenfor:

Nettets spenning og frekvens

Vær oppmerksom på verdien på merkeetiketten innenfor avtrekksketten.

Kopling av ledning

 : gul/grønn
N : blå
L : brun

Utbytte av strømforsyning ledning

Ventilatoren har en spesiell strømledning; dersom denne skades, skal man henvende seg til kundeassistenten for kjøp av en ny.

AVTREKK AV LUFT

(for sugende versjoner)

Koble ventilatoren til rør og avtrekksåpning i veggen med en diameter tilsvarende luftuttaket (koblingsflensen).

Bruk av rør og avtrekksåpning på veggen med en mindre diameter, vil medføre en minsking i avtrekksytelsene og en drastisk økning av støyen.

Ethvert ansvar gjeldende dette fraskrives derfor.

- ! Bruk et så kort rør som mulig.
- ! Bruk et rør med færrest mulig vinkler (vinkelen må aldri være skarpere enn 90°).
- ! Unngå drastiske endringer i rørets tverrsnitt.
- ! Selskapet fratrer seg eventuelt ansvar dersom slike veiledelser ikke blir tatt i bruk.

FILTRERENDE ELLER SUGENDE?

! Din hetten er klar for å bli tatt i bruk med sugende funksjon.

For å bruke hetten i med filtrerings funksjon må man ta i bruk tilsvarende EKSTRA UTSTYR.

Vær oppmerksom ved første sider av denne bruksanvisning dersom nødvendig EKSTRA UTSTYR er allerede gitt ved salget eller dersom den må bli kjøpt separat.

Merk: Dersom den er utdelt ved salget i noen tilfeller, filtrering anlegget basert på bruk av aktiv kull kan vær installert på forhånd på hetten. Informasjonene for forandring av hetten fra sugende bruk til filtrerings bruk er allerede skrevet i denne bruksanvisning.

Sugende versjon

Dampene føres ut i friluft gjennom et avløpsrør som er festet til koblingsflensen.

 **MERK!**

Avløpsrøret er ikke medlevert, men må kjøpes separat.

Diameteren i avløpsrøret må tilsvare diameteren på tilslutningsringen.

 **MERK!**

Hvis ventilatoren er utstyrt med kullfiltere, må disse fjernes.

Filtrerende versjon

Luften som suges opp blir rensset, og fett og lukter fjernes før den føres tilbake i rommet. Hvis man vil bruke ventilatoren i denne versjonen, er det nødvendig å installere et ekstra filtersystem basert på aktivt kull.

FUNKSJONER

Viften er utstyrt med et kontrollpanel med viftehastighetsvalg og en lysbryter for å kontrollere kokeområdet lys.



T1



T2



T3



T4



T5



T6



Viftemotor / PÅ/AV 1. hastighet



Viftemotor / PÅ/AV 2. hastighet



Viftemotor / PÅ/AV 3. hastighet



POWER BOOST" PÅ/AV-funksjon (tidskontrollert)

Merk: etter fem minutter vil hetten begynne å fungere igjen på 3. hastighet.



Operasjon "ZEN Mode" PÅ/AV-funksjon

Merk: Denne funksjonen gjør det mulig å aktivere en avtrekkshastighet med en perfekt balanse mellom lydløshet og avtrekkseffektivitet.

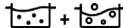



Hovedlys PÅ/AV


ALARM/NULLSTILLING AV FETT-/KULLFILTER

Ved jevne mellomrom varsler hetten at vedlikehold må utføres.

Merk: Indikatoren vil kun fungere i 40 sek etter at viftemotorens hastighet er slått AV.

 blinker: utfør vedlikehold av fettfilteret.

 + **P** blinker: utfør vedlikehold på kullfilteret.

Merk: kullfilterets alarm er vanligvis deaktivert, for å aktivere: slå hetten AV trykk deretter og hold nede  + **P** i mer enn 3 sek, begge signalene lyser i omtrent 3 sek for å indikere at kullfilterets alarm er deaktivert. Gjenta operasjonen for å deaktivere (begge signalene blinker i omtrent 3 sek).

Tilbakestilling av filternes metningsindikatorer

Trykk og hold signalene nede i nesten 3 sek mens de blinker.

VEDLIKEHOLD

Rengjøring

Til rengjøring skal det **KUN** benyttes en klut fuktet med et nøytralt rengjøringsmiddel. **VERKTØY ELLER APPARATER SKAL IKKE BRUKES TIL RENGJØRING!**

Unngå bruk av slipende eller etsende produkter. **ALKOHOL SKAL IKKE BRUKES!**

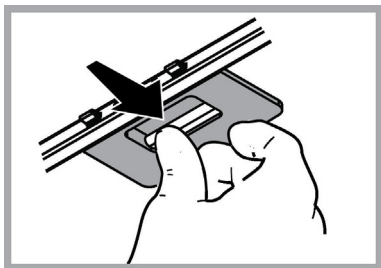
Vedlikehold av moffettet filteret

Fanger kokefettpartikler.

Dette må rengjøres en gang i måneden (eller når det elektroniske systemet viser at filteret er skittent – hvis din modell har denne funksjonen), med milde (ikke aggressive) rengjøringsmidler, for hånd eller i oppvaskmaskin ved lav temperatur og med kort syklus.

Ved vask i oppvaskmaskin kan fettfilteret i metall miste fargen, men dets filterkarakteristikker endres absolutt ikke.

For å demontere fettfilteret må man dra i fjærhåndtaket.



Vedlikehold av kull filter

Holder tilbake ubehagelige lukter fra matlaging.

Kullfilteret mettes etter en mer eller mindre lang tidsperiode, avhengig av typen matlaging og hvor regelmessig filteret rengjøres.

I alle tilfeller er det nødvendig å skifte ut patronen minst hver 4. måned (eller når indikatoren for metning av filteret viser at det er nødvendig, hvis det er en slik indikator på modellen).

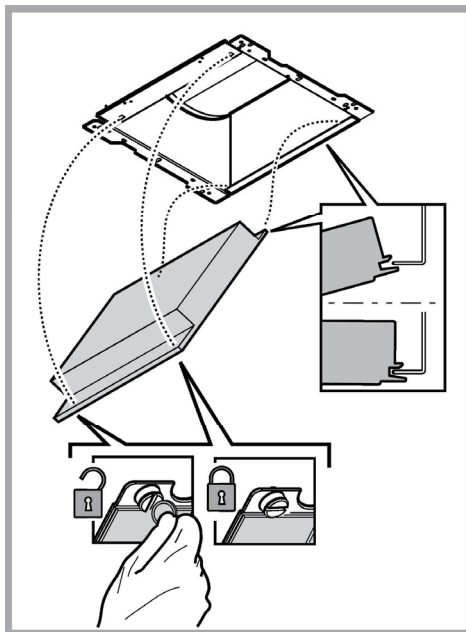
Det kan **IKKE** vaskes eller benyttes om igjen

Montering

Hekt først kullfilteret bak på ventilatorens metallhekte, og fest det deretter foran med de to kulehåndtakene.

Demontering

Fjern kullfilteret ved å dreie kulehåndtakene som fester det til ventilatoren 90°.



Utbytting av lyspære

Ventilatoren er utstyrt med et belysningsssystem basert på LED-teknologi.


LED-lysene garanterer optimal belysning, har opptil 10 ganger lengre varighet enn tradisjonelle lyspærer og tillater en strømsparing på 90 %.

Vennligst ta kontakt med autorisert kontor for reservedeler for å bytte ut lyspæren.

KASSERING

Dette apparatet er merket i konformitet med EU-direktivet 2012/19/EC, Waste Electrical and Electronic Equipment (WEEE). Ved å forsikre seg om at dette produktet kasseres forskriftsmessig, bidrar brukeren med å forebygge mulige negative miljø- og helsekonsekvenser.



Symbolet  på produktet eller på papirer som følger med viser at dette produktet ikke må behandles som vanlig husholdningsavfall, men må leveres til et egnet gjenvinningscenter for elektrisk og elektronisk avfall. Produktet må kasseres i henhold til lokale normer for kassering av avfall. For videre informasjon om behandling, gjenvinning og resirkulering av dette produktet kan du kontakte egnet lokalt kontor, renovasjonskontoret for husholdningsavfall eller butikken hvor du kjøpte produktet.

Apparatet er utformet, testet og produsert i henhold til:

- Sikkerhet: EN/IEC 60335-1; EN/IEC 60335-2-31, EN/IEC 62233.
- Kapasitet: EN/IEC 61591; ISO 5167-1; ISO 5167-3; ISO 5168; EN/IEC 60704-1; EN/IEC 60704-2-13; EN/IEC 60704-3; ISO 3741; EN 50564; IEC 62301.
- Elektromagnetisk kompatibilitet EMC: EN 55014-1; CISPR 14-1; EN 55014-2; CISPR 14-2; EN/IEC 61000-3-2; EN/IEC 61000-3-3.

Forslag til riktig bruk for å redusere miljøpåvirkning: Skru PÅ ventilatorhetten på minimum hastighet når du starter matlagingen og lå den holdes i gang i noen minutter etter at matlagingen er ferdig. Øk hastigheten kun ved store mengder røyk og damp og bruk boost-hastighet(er) kun i ekstreme situasjoner. Skift ut kullfilter når det er nødvendig for å opprettholde optimal effektivitet for odørreduksjon. Rengjør fettfilter når det er nødvendig for å opprettholde optimal effektivitet for fettfilter. Bruk maksimum diameter på kanalsystemet som er angitt i denne bruksanvisningen for å optimalisere effektivitet og minimere støy.





FEIL VED BRUK

Dersom feil oppstår ved bruk før du tar kontakt med Kunde Service se etter følgende kontroll:

- Dersom hetten ikke virker:
Verifiser at:
 - Brudd i strøm forsyning ikke har tatt sted.
 - Det har blitt valgt en hastighet.
- Dersom hetten har en lav kapasitet:
Verifiser at:
 - Motor hastighet som har blitt valgt er i stand til å fjerne mengden på røyk og damp som er til stede
 - Kjøkkenet er ventilert nok for å bidra til et luft oppsuging.
 - Kull filter ikke er oppbrukt (ved hetten i filtrerings funksjon).
- Dersom hetten har slutt seg av ved vanlig bruk:
Verifiser at:
 - Brudd i strøm forsyning ikke har tatt sted.
 - Omnipolar av sperre system ikke har aktivert seg.

Dersom det oppstår feil ved vanlig idriftsettelse før du tar kontakt med Kunde Service slå av for minst 5 sec. Strøm forsyning ved å ta ut strøm kontakt og deretter ved å koble den på igjen. Dersom feilet fortsetter ta kontakt med Kunde Service.

TEKNISKE DATA

Høyde (cm)	Bredde (cm)	Dybde (cm)	Ø ved uttaksrøret (cm)
 61,9-114,7  70,6-114,7	89,8	45	15
 61,9-114,7  70,6-114,7	59,8	45	15

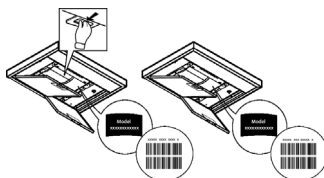


Utstyr som ikke følger ved kjøpet



Du kan laste ned Sikkerhetsinstruksene, Brukerhåndboken, Produktkortet og Energidata ved:

- Besøke vårt nettsted docs.whirlpool.eu
- Ved å benytte QR-koden
- Alternativt kan du kontakte vår **Ettersalgsservice** (se telefonnummeret i garantiheftet). Når du kontakter vår Ettersalgsservice, vennligst oppgi kodene du finner på produktets typeskilt.



OGÓLNE BEZPIECZEŃSTWO

- Przed każdym rozpoczęciem czyszczenia lub konserwacji należy odłączyć okap od zasilania elektrycznego poprzez wyciągnięcie wtyczki lub odłączenie głównego bezpiecznika pomieszczenia.
 - W trakcie wykonywania wszystkich prac instalacyjnych i konserwacyjnych należy używać rękawice robocze.
 - Urządzenie może być używane przez dzieci w wieku nie niższym niż 8 lat oraz osoby o ograniczonej zdolności fizycznej, czuciowej lub psychicznej lub pozbawione doświadczenia czy niezbędnej wiedzy, pod warunkiem, że pozostaną pod nadzorem lub zostaną poinstruowane o bezpiecznym używaniu urządzenia i rozumieją niebezpieczeństwa z nim związane. Dzieci powinny być pilnowane, aby nie bawiły się urządzeniem.
 - Czyszczenie i konserwacja nie może być wykonywana przez dzieci pozostawione bez opieki.
 - Pomieszczenie, w którym zainstalowany jest okap powinno posiadać odpowiednią wentylację, kiedy jest on używany jednocześnie z innymi urządzeniami zasilanymi gazem lub innymi paliwami.
 - Okap powinien być często czyszczony zarówno wewnątrz jak i na zewnątrz (PRZYNAJMNIEJ RAZ NA MIESIĄC), należy bezwzględnie przestrzegać wskazówek zawartych w instrukcji konserwacji. Nieprzestrzeganie zasad czyszczenia okapu oraz wymiany i czyszczenia filtrów może spowodować ryzyko powstania pożaru.
 - Jest surowo zabronione przygotowywanie posiłków z płomieniem pod okapem.
 - Aby wymienić lampkę należy użyć wyłącznie ten rodzaj lampki, który został wskazany w rozdziale konserwacja/wymiana lampki w niniejszej instrukcji. Używanie wolnego płomienia jest szkodliwe dla filtrów i może spowodować pożary, dlatego należy tego unikać w każdym przypadku. Smażenie musi być wykonywane pod kontrolą, aby uniknąć zapalenia się rozgrzanego oleju.
- UWAGA: Kiedy powierzchnia do gotowania jest włączona dostępne części okapu mogą się rozgrzać.
- Nie podłączać urządzenia do sieci elektrycznej dopóki instalacja nie zostanie całkowicie zakończona.
 - Jeśli chodzi o normy techniczne i bezpieczeństwa, których należy przestrzegać podczas wydalania oparów należy rygorystycznie przestrzegać zasad przewidzianych w regulaminie właściwych organów lokalnych.
 - Zasyrane powietrze nie może być przekazane do kanału używanego do wydalania oparów wytworzonych przez urządzenia spalania gazów lub innych paliw.
 - Nie należy używać ani pozostawiać okapu pozbawionego poprawnie zamontowanych lampek w związku z możliwością porażenia prądem.
 - Nigdy nie używać okapu bez poprawnie zamontowanej kratki!
 - Okap nie może być NIGDY używany, jako płaszczyna oparcia, o ile nie zostało to wyraźnie wskazane.
 - Należy używać do instalacji wyłącznie śrub mocujących będących na wyposażeniu z produktem lub jeśli ich nie ma na wyposażeniu, zakupić właściwy rodzaj śrub.
 - Używać śrub o odpowiedniej długości, które są opisane w Przewodniku do instalacji.
 - W razie wątpliwości, skontaktować się z odnośnym autoryzowanym centrum obsługi lub z wykwalifikowanym personelem.

⚠ UWAGA!

- Niezainstalowanie śrub i urządzeń mocujących zgodnie z instrukcją może spowodować zagrożenia natury elektrycznej.
- Nie stosować w połączeniu z oddzielnym programatorem, timerem, zdalnym sterowaniem lub każdym innym urządzeniem, które uaktywnia się automatycznie.

Trzymać dzieci poniżej 3 roku życia z dala od urządzenia. Bez ciągłego nadzoru osoby dorosłej, trzymać urządzenie z dala od dzieci poniżej 8 roku życia.

⚠ UWAGA: urządzenie nie jest przeznaczone do uruchamiania za pomocą urządzenia zewnętrznego lub oddzielnego systemu zdalnego sterowania.

⚠ Omawiane urządzenie nie jest przeznaczone do użytku profesjonalnego. Nie używać urządzenia na zewnątrz.

⚠ Aby uniknąć ryzyka obrażeń, urządzenie powinny instalować i przenosić dwie osoby.

⚠ Montaż, który obejmuje również ewentualne połączenia do zasilania wodą (jeżeli przewidziane) oraz podłączenia elektryczne jak również interwencje naprawcze może być wykonywany wyłącznie przez wykwalifikowany personel.

Po zainstalowaniu, przechowywać materiał opakowaniowy (plastikowe elementy, styropian itd.) poza zasięgiem dzieci, aby uniknąć ryzyka uduszenia. .

Nie używać urządzenia, gdy ciało i ręce są mokre lub w gółych stopach.

Nigdy nie używać parowych urządzeń czyszczących – ryzyko porażenia prądem.



Materiał opakowaniowy nadaje się w 100% do recyklingu i jest oznaczony symbolem

Okap może różnić się pod względem wyglądu od okapu przedstawionego na rysunkach niniejszej instrukcji, ale zalecenia dotyczące obsługi, konserwacji i montażu pozostają niezmienione.

Przy przeprowadzaniu instalacji urządzenia należy postępować według wskazówek podanych w niniejszej instrukcji. Producent uchyla się od wszelkiej odpowiedzialności za uszkodzenia wynikłe na skutek instalacji niezgodnej z informacjami podanymi w niniejszej instrukcji. Okap służy do zasysania oparów kuchennych i jest przeznaczony wyłącznie do użytku domowego.

- Należy zachować instrukcję obsługi aby móc z niej skorzystać w każdej chwili. W przypadku sprzedaży urządzenia lub przeprowadzki, należy upewnić się, że dołączono do niego instrukcję obsługi.
- Uważnie zapoznać się z treścią instrukcji obsługi, która dostarcza dokładne informacje dotyczące instalacji, użytkowania i pielęgnacji urządzenia..
- Nie dokonywać zmian elektrycznych czy mechanicznych w urządzeniu lub na przewodach odprowadzających.
- Przed przystąpieniem do montażu urządzenia należy sprawdzić czy któraś z jego części składowych nie jest uszkodzona. Jeśli tak, należy skontaktować się ze sprzedawcą i zaprzestać kontynuowania instalacji.

Minimalna odległość między powierzchnią, na której znajdują się naczynia na urządzeniu grzejnym a najniższą częścią okapu kuchennego powinna wynosić nie mniej niż 50cm w przypadku kuchenek elektrycznych i nie mniej niż 65cm w przypadku kuchenek gazowych lub typu mieszanego.

Jeżeli w instrukcji zainstalowania kuchni gazowej podana jest większa odległość, należy dostosować się do takich wskazań.

POŁĄCZENIE ELEKTRYCZNE

Napięcie sieciowe musi odpowiadać napięciu wskazanemu na tabliczce umieszczonej w wewnętrznej części okapu. Jeśli okap jest wyposażony we wtyczkę, należy ją podłączyć do gniazodka zgodnego z obowiązującymi normami i umieszczonego w łatwo dostępnym miejscu, również po zakończonej instalacji.

Jeśli okap nie jest wyposażony we wtyczkę (bezpośrednie podłączenie do sieci) lub wtyczka nie znajduje się w łatwo dostępnym miejscu, również po zakończonej instalacji, należy zastosować znormalizowany wyłącznik dwubiegunowy, który umożliwi całkowite odcięcie od sieci elektrycznej w warunkach nadprądowych kategorii III, zgodnie z zasadami instalacji.

⚠ UWAGA!

Przed ponownym podłączeniem obwodu okapu do zasilania i sprawdzeniem poprawności jego działania należy się zawsze upewnić, czy przewód zasilający jest prawidłowo zamontowany.

Jeżeli kabel nie jest wyposażony we wtyczkę, należy podłączyć przewody zgodnie z poniższą tabelą:

Napięcie sieciowe i jego częstotliwość

Sprawdzić wartość wskazaną na tabliczce danych, znajdującej się wewnątrz okapu.

Podłączenie przewodu



: żółty/zielony

N : niebieski

L : brązowy

Wymiana kabla zasilającego

Okap jest wyposażony w specjalny przewód zasilający.

W razie uszkodzenia tego przewodu, należy go zamówić w biurze obsługi serwisowej.

ODPROWADZANIE POWIETRZA

(dla wersji zasysających)

Podłączyć okap do przewodu wentylacyjnego rurą odprowadzającą o średnicy odpowiadającej rozmiarowi wylotu z okapu (kołnierza łączeniowego).

Użycie przewodów o mniejszym przekroju powoduje zmniejszenie zdolności zasysania oraz drastyczne zwiększenie hałaśliwości okapu.

Producent, zatem, nie ponosi żadnej odpowiedzialności za ten stan.

! Używać jak najkrótszego przewodu.

! Używać przewodu o jak najmniejszej liczbie zagięć (maksymalny kąt zagięcia: 90°).

! Unikać radykalnych zmian przekroju przewodu.

! Producent nie ponosi żadnej odpowiedzialności w przypadku nie przestrzegania powyższych norm.

FILTRUJĄCY CZY ZASYSAJĄCY?

! Wasz okap gotowy jest do użytkowania w wersji zasysającej.

Aby używać okapu w wersji filtrującej należy zainstalować odpowiedni KOMPLET AKCESORIÓW.

Sprawdzić na pierwszych stronach niniejszej instrukcji czy KOMPLET AKCESORIÓW jest dostarczany na wyposażeniu czy też należy go zakupić oddzielnie.

Uwaga: Jeśli znajduje się na wyposażeniu, to w niektórych przypadkach, dodatkowy system filtrowania na bazie aktywnego węgla mógłby być już zainstalowany na okapie.

Informacje dotyczące transformacji okapu z wersji zasysającej na wersję filtrującą zostały umieszczone w niniejszej instrukcji.

Wersja zasysająca

Opary są usuwane na zewnątrz rurą odprowadzającą zamocowaną do kołnierza łączeniowego.

⚠ UWAGA!

Rura odprowadzająca nie jest dostarczona w komplecie z urządzeniem i należy ją zakupić.

Średnica rury odprowadzającej musi być równa średnicy kołnierza łączeniowego.

⚠ UWAGA!

Jeśli okap jest zaopatrzony w filtry węglowe, to muszą one zostać zdjęte.

Wersja filtrująca

Aby używać okapu w tej wersji należy zainstalować filtr węglowy.

Można go kupić u sprzedawcy.

Zasyrane powietrze jest oczyszczane z tłuszczu i zapachów zanim zostanie zwrócone do pomieszczenia przez kratki w górnej osłonie komina.

KOMENDY

Okap jest wyposażony w panel sterowania z regulacją prędkości turbiny zasysającej oraz włącznikiem oświetlenia przestrzeni roboczej pod okapem.



T1



T2



T3

P

T4

ZEN

T5



T6



Silnik wentylatora / WŁ / WYŁ 1. prędkość



Silnik wentylatora / WŁ / WYŁ 2. prędkość



Silnik wentylatora / WŁ / WYŁ 3. prędkość

P

Funkcja „POWER BOOST” WŁ./WYŁ. (sterowana czasowo)

Uwaga: okap powróci do pracy z 3 prędkością, po pięciu minutach.

ZEN Obsługa funkcji „Tryb ZEN” WŁ./WYŁ

Uwaga: Ta funkcja umożliwia uruchamianie prędkości zasysania przy zachowaniu doskonałej równowagi między niskim poziomem głośności, a wydajnością działania.






Oświetlenie główne WŁ./WYŁ


ALARM/RESET FILTRA PRZECIWTŁUSZCZOWEGO I WĘGLOWEGO

W regularnych odstępach czasu okap sygnalizuje konieczność konserwacji filtra.

Uwaga: Wskaźniki zadziałają tylko przez 40 sekund po wyłączeniu silnika wentylatora.

Migają  +  : wymagana konserwacja filtra przeciwtłuszczowego.

Migają  + P : wymagana konserwacja filtra węglowego.

Uwaga: alarm filtra węglowego jest zwykle wyłączony, aby włączyć: wyłączyć okap, a następnie nacisnąć i przytrzymać  + P przez ponad 3 sekundy, oba sygnały zapalona na około 3 sekundy, aby zasignalizować włączenie alarmu filtra węglowego. Powtórzyć operację, aby wyłączyć (oba sygnały migają przez ok. 3 sekundy).

Resetowanie wskaźników nasycenia filtra

Nacisnąć i przytrzymać przez prawie 3 sekundy migające sygnały.

KONSERWACJA

Czyszczenie

Do czyszczenia używać **WYŁĄCZNIE** szmatki nawilżonej płynnymi neutralnymi środkami czyszczącymi. **DO CZYSZCZENIA NIE NALEŻY UŻYWAĆ NARZĘDZI ANI PRZYRZĄDÓW!** Unikać stosowania produktów zawierających środki ściernie. **NIE STOSOWAĆ ALKOHOLU!**

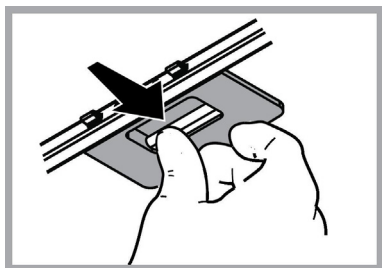
Konserwacja filtrów przeciw tłuszczowym

Zatrzymuje cząstki tłuszczu pochodzące z gotowania.

Musi być czyszczony co najmniej raz w miesiącu (lub gdy wskaźnik zanieczyszczenia filtrów – jeżeli wasz model okapu posiada wskaźnik – informuje o konieczności jego wymiany), za pomocą nieagresywnego środka czyszczącego, ręcznie lub w zmywarce w niskiej temperaturze i krótkim cyklu mycia.

Podczas mycia w zmywarce metalowy filtr tłuszczowy może się odbarwić, ale nie zmienia się jego charakterystyczne cechy filtrujące.

Aby wyjąć filtr tłuszczowy należy pociągnąć za klamkę sprężynową.



Konserwacja filtra węglowego

Zatrzymuje przykre zapachy pochodzące z gotowania.

Nasylenie filtra następuje po mniej lub bardziej długim okresie użytkowania w zależności od rodzaju kuchenki i od regularności z jaką jest wykonywane czyszczenie filtra przeciw tłuszczowego. Wkład filtra powinien być w każdym razie wymieniony po upływie nie więcej niż czterech miesięcy (lub, gdy wskaźnik nasycenia filtra sygnalizuje konieczność wymiany filtra – jeżeli posiadany model jest wyposażony w taki wskaźnik).

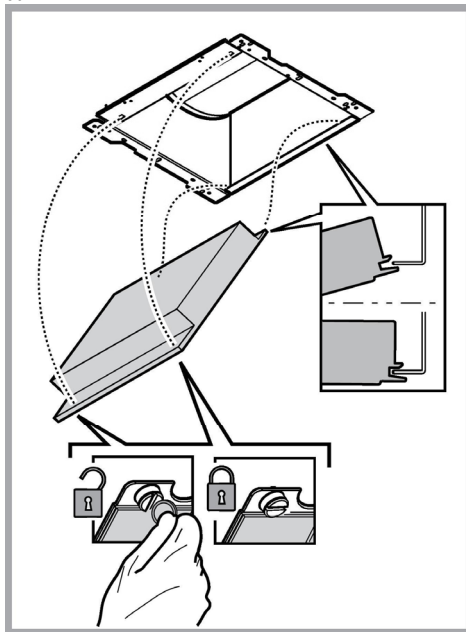
NIE wolno myć lub regenerować filtra.

Montaż

Włożyć filtr węglowy najpierw z tyłu do metalowej kasety okapu, a następnie zamocować z przodu, za pomocą dwóch pokręteł.

Demontaż

Wyjąć filtr węglowy obracając pokrętła mocujące do okapu o 90°.



Wymiana żarówek

Okap zaopatrzony jest w system oświetlenia, który bazuje się na technologii LED.

LED gwarantują optymalne oświetlenie, trwałość 10 razy większą od lamp tradycyjnych i pozwalają zaoszczędzić 90% energii elektrycznej.


Aby wymienić lampy, należy skontaktować się z autoryzowanym centrum obsługi w sprawie części zamiennych.

ZŁOMOWANIE

Niniejsze urządzenie posiada oznaczenia zgodnie z Dyrektywą Unijną 2012/19/EC w sprawie zużytego sprzętu elektrycznego i elektronicznego (WEEE).

Zapewniając prawidłowe złomowanie niniejszego urządzenia, przyczynią się Państwo do ograniczenia ryzyka wystąpienia negatywnego wpływu produktu na środowisko i zdrowie ludzi, które mogłoby zaistnieć w przypadku niewłaściwej utylizacji urządzenia.



Symbol  na urządzeniu lub opakowaniu oznacza, że tego produktu nie można traktować jak innych odpadów komunalnych. Należy oddać go do właściwego punktu zbiórki i recyklingu sprzętów elektrycznych i elektronicznych.

Właściwa utylizacja i złomowanie pomaga w eliminacji niekorzystnego wpływu złomowanych urządzeń na środowisko oraz zdrowie. Aby uzyskać szczegółowe dane dotyczące możliwości recyklingu niniejszego urządzenia, należy skontaktować się z lokalnym urzędem miasta, służbami oczyszczania miasta lub sklepem, w którym produkt został zakupiony.

Urządzenie zostało zaprojektowane, przetestowane i wyprodukowane zgodnie z następującymi warunkami:

- Bezpieczeństwo: EN/IEC 60335-1; EN/IEC 60335-2-31, EN/IEC 62233.
- Wydajność: EN/IEC 61591; ISO 5167-1; ISO 5167-3; ISO 5168; EN/IEC 60704-1; EN/IEC 60704-2-13; EN/IEC 60704-3; ISO 3741; EN 50564; IEC 62301.
- EMC: EN 55014-1; CISPR 14-1; EN 55014-2; CISPR 14-2; EN/IEC 61000-3-2; EN/IEC 61000-3-3.

Sugestie dotyczące prawidłowego użytkowania w celu zmniejszenia wpływu na środowisko:

Włączyć okap na minimalne obroty w momencie rozpoczęcia gotowania i zostawić go włączony przez kilka minut po zakończeniu gotowania. Zwiększać obroty jedynie w przypadku dużej ilości dymu i pary oraz używać wysokich obrotów tylko w ekstremalnych sytuacjach. W razie potrzeby wymienić filtr/filtry węglowe, aby utrzymać dobrą skuteczność redukcji zapachów. W razie konieczności wyczyścić filtr/filtry smaru, aby utrzymać dobrą wydajność filtra smaru. Używać maksymalnej średnicy systemu wentylacyjnego wskazanej w niniejszej instrukcji, w celu optymalizacji wydajności i minimalizacji hałasu.





NIEPRAWIDŁOŚCI FUNKCJONOWANIA

Jeśli wydaje się, że coś nie działa prawidłowo, przed wezwaniem Serwisu Technicznego, należy wykonać następujące proste kontrole:

- Jeśli okap nie działa:
Sprawdzić czy:
 - nie nastąpiło przerwanie dopływu prądu.
 - została wybrana jakaś prędkość działania.
- Jeśli okap ma słabą wydajność:
Sprawdzić czy:
 - Wybrana prędkość silnika jest wystarczająca dla uwolnionej ilości dymu i oparów.
 - Kuchnia jest wystarczająco przewietrzona pozwalając na pobór powietrza.
 - Filtr węglowy nie jest zużyty (okap w wersji filtrującej).
- Jeśli okap wyłączył się w trakcie normalnego funkcjonowania:
Sprawdzić czy:
 - nie nastąpiło przerwanie dopływu prądu.
 - nie wyskoczył główny wyłącznik.

W przypadku ewentualnych nieprawidłowości działania, przed wezwaniem Serwisu Technicznego, należy przez przynajmniej 5 sekund odłączyć urządzenie od zasilania elektrycznego poprzez wyciągnięcie wtyczki a następnie ponownie je podłączyć. Jeśli nieprawidłowości dalej będą miały miejsce, należy zwrócić się do Serwisu Technicznego.

DANE TECHNICZNE

Wysokość (cm)	Szerokość (cm)	Głębokość (cm)	Średnica przewodu odprowadzającego (cm)
 61,9-114,7  70,6-114,7	89,8	45	15
 61,9-114,7  70,6-114,7	59,8	45	15



Komponenty niebędące na wyposażeniu razem z produktem

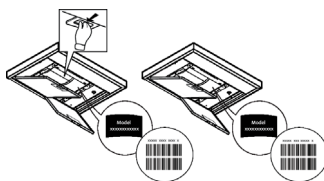


Instrukcje bezpieczeństwa, instrukcję obsługi, karta produktu oraz parametry poboru energii można pobrać:

- Odwiedzając naszą stronę internetową docs.whirlpool.eu

- Używając kodu QR

- Można również **skontaktować się z Centrum pomocy technicznej** (Patrz numer telefonu na karcie gwarancyjnej). Kontaktując się z naszym serwisem technicznym, należy podać kody z tabliczki znamionowej urządzenia.



SIGURANȚĂ GENERALĂ

- Înainte de orice operațiune de curățare sau de întreținere, deconectați hota de la rețea prin scoaterea ștecherului sau deconectați sursa de alimentare cu energie.
- Purtați întotdeauna mănuși de lucru pentru toate operațiunile de instalare și întreținere.
- Acest aparat poate fi folosit de copii cu vârsta peste 8 ani și persoane cu capacități fizice, senzoriale sau mentale reduse sau lipsite de experiență și cunoștințe, dacă sunt sub supraveghere și au fost instruite cu privire la utilizarea aparatului în condiții de siguranță și înțeleg riscurile implicate.
- Copiiiilor nu trebuie să li se permită să manipuleze comenzile sau să se joace cu aparatul.
- Curățarea și întreținerea nu se face de către copii fără supraveghere.
- Locul în care este instalat aparatul trebuie să fie ventilat suficient, în cazul în care hota de bucătărie se utilizează împreună cu alte dispozitive de ardere a gazelor sau a altor combustibili.
- Hota trebuie să fie curățată în mod regulat atât în interior cât și în exterior (cel puțin o dată pe lună).
- Trebuie să se respecte în mod expres ceea ce este indicat în Instrucțiunile de întreținere.
- Defectarea capotei de curățare a aparatului, schimbarea și curățarea filtrelor poate provoca incendii.
- Gătirea alimentelor cu foc cu flacără direct sub hotă este strict interzisă.
- Pentru înlocuirea becurilor, utilizați numai tipul de becuri indicat în secțiunea Întreținere/Înlocuirea becurilor din acest manual.

Utilizarea flăcării este dăunătoare filtrelor și poate provoca risc de incendiu; prin urmare, trebuie evitată în orice situație. Orice prăjire trebuie să se facă cu grijă, pentru a se asigura că uleiul nu se supraîncălzește și aprinde.

AVERTISMENT: Părțile accesibile ale hotei pot deveni fierbinti pe durata utilizării.

- Nu conectați aparatul la rețeaua electrică până când instalarea este până când instalarea nu este complet terminată.
- În ceea ce privește măsurile tehnice și de siguranță care trebuie adoptate pentru evacuarea fumului, este important să se urmărească îndeaproape normele locale.
- Sistemul de evacuare a fumului pentru acest aparat nu trebuie să fie conectat la nici un sistem de ventilație existent care este folosit în alte scopuri, cum ar fi evacuarea gazelor de ardere rezultate de la aparatele consumatoare de gaz sau alți combustibili.
- Nu folosiți și nu lăsați hota fără bec montat corect din cauza riscului de electrocutare.
- Nu folosiți niciodată hota fără ca aceasta să aibă grilele montate în mod eficient.
- Hota nu trebuie utilizată NICIODATĂ ca suprafață de sprijin dacă acest lucru nu este precizat în mod expres.
- Folosiți numai șuruburile de fixare furnizate împreună cu produsul pentru instalare sau, în cazul în care nu sunt incluse, achiziționați tipul corespunzător de șuruburi.
- Utilizați lungimea corectă pentru șuruburile identificate în Ghidul de instalare.
- În caz de incertitudine, consultați un centru de asistență service autorizat sau o persoană cu calificare corespunzătoare.

⚠ ATENȚIE!

- Neinstalarea șuruburilor sau a dispozitivelor de fixare în conformitate cu aceste instrucțiuni poate duce la pericolele de natură electrică.
- Nu utilizați cu un temporizator, timer, o telecomandă separată sau orice alt dispozitiv care este activat automat.

Nu permiteți copiilor cu vârstă sub 3 ani să se apropie de aparat. Nu lăsați aparatul la îndemâna copiilor cu vârstă sub 8 ani, decât sub supravegherea continuă a unui adult.

⚠ ATENȚIE: aparatul nu este destinat punerii în funcțiune prin intermediul unui dispozitiv extern sau al unui sistem separat de comandă de la distanță.

⚠ Acest aparat nu este destinat uzului profesional. Nu utilizați aparatul în aer liber.

⚠ Pentru a evita pericolul de accidentare, aparatul trebuie să fie manevrat și instalat de două sau mai multe persoane.

⚠ Operațiunile de instalare, inclusiv eventualele recordări la linia de alimentare cu apă (dacă sunt prevăzute) și legăturile electrice, precum și lucrările de reparație trebuie să fie efectuate de personal calificat.

După terminarea operațiunilor de instalare, nu lăsați materialele folosite pentru ambalare (bucăți din plastic, polistiren etc.) la îndemâna copiilor, pentru a evita pericolul de sufocare.

Nu folosiți aparatul dacă aveți părți ale corpului umede sau dacă sunteți desculți.

Nu folosiți niciodată aparate de curățat cu aburi - pericol de electrocutare.



Materialele folosite pentru ambalare sunt 100% reciclabile și sunt marcate cu simbolul de reciclare

Hota poate fi din punct de vedere estetic diferită față de cea ilustrată în desenele acestui manual, totuși instrucțiunile de utilizare, întreținere și instalare rămân aceleași.

Urmăriți îndeaproape instrucțiunile conținute în acest manual. Producătorul își declină orice responsabilitate în cazul daunelor sau incendiilor provocate aparatului și derivate dintr-o utilizare incorectă și din nerespectarea instrucțiunilor conținute în acest manual. Hota a fost proiectată pentru aspirarea gazelor arse și vaporilor rezultați în urma gătirii alimentelor și este destinată doar utilizării casnice.

- Este important să păstrați acest manual pentru a-l putea consulta în orice moment. În caz de vânzare, cesiune sau mutare, asigurați-vă că acesta rămâne împreună cu produsul.
- Citiți cu atenție instrucțiunile: există informații importante privind instalarea, utilizarea și siguranța.
- Nu efectuați modificări de tip electric sau mecanic asupra produsului sau asupra țevilor de evacuare.
- Înainte de instalarea aparatului, verificați dacă toate componentele nu sunt deteriorate. În caz contrar, contactați furnizorul și nu continuați cu instalarea.

Distanța minimă între suprafața suportului recipientelor pe dispozitivul de gătit și partea de jos a hotei nu trebuie să fie mai mică de 50cm în cazul mașinilor de gătit electrice și de 65cm în cazul mașinilor de gătit cu gaz sau mixte.

Dacă instrucțiunile dispozitivului de gătit cu gaz specifică o distanță mai mare, este necesar să țineți cont de aceasta.

CONEXAREA ELECTRICĂ

Tensiunea din rețea trebuie să corespundă cu tensiunea la care se referă eticheta situată în interiorul hotei. Dacă este prevăzută cu ștecher conectați hota la o priză conform cu normele în vigoare, poziționată într-o zonă accesibilă și după instalare. Dacă nu este prevăzută cu ștecher (conexiunea este direct la rețea) sau ștecherul nu este poziționat într-o zonă accesibilă și după instalare, aplicați un întrerupător bipolar la normă care să asigure deconectarea completă de la rețea în condițiile categoriei de supratensiune III, conform regulilor de instalare.

⚠ ATENȚIE!


Înainte de a efectua conectarea circuitului hotei la alimentația din rețea și de a verifica funcționarea corectă, controlați întotdeauna dacă cablul a fost montat în mod corect.

În cazul în care cablul nu este prevăzut cu unștecher, conectați-l respectând datele din următorul tabel:

Tensiunea și frecvența rețelei electrice

Consultați valoarea indicată pe eticheta cu caracteristici, aplicată în interiorul hotei.

Conexiune cablu

 : galben/verde
N : albastru
L : maro

Inlocuirea cablului de alimentare

Hota este prevăzută cu un cablu de alimentare special; în cazul deteriorării acestuia, apălați la serviciul de asistență tehnică.

EVACUAREA AERULUI

(pentru versiunile cu ventilație)

Racordați hota la cablurile și orificiile de evacuare prin perete cu diametru egal cu ieșirea aerului (flanșa de record).

Utilizarea tuburilor și orificiilor de evacuare la perete cu diametrul mai mic va determina o diminuare a prestațiilor de aspirare și o creștere drastică a zgomotului.

Se declină însă orice responsabilitate în acest sens.

! Folosiți un tub de lungime minimă indispensabilă.

! Folosiți un tub cu un număr cât mai mic de curbe posibil (unghiul maxim al curbei: 90°).

! Evitați schimbările drastice de secțiuni ale tubului.

! Producătorul și declină orice responsabilitate dacă aceste măsuri de siguranță nu sunt respectate.

FILTRANTA SAU CU VENTILATIE ?

! Hota dumneavoastră este gata pentru a fi folosită în versiunea cu ventilație.

Pentru a utiliza hota în versiune filtrantă, se instalează SETUL DE ACCESORII corespunzător.

Verificați primele pagini ale acestui manual, dacă SETUL DE ACCESORII este deja furnizat sau trebuie să fie achiziționat separat.

Notă: Dacă este furnizat, în unele cazuri, sistemul de filtrare suplimentar pe bază de cărbune activ poate să fie deja instalat pe hotă.

Informațiile referitoare la trecerea hotei din versiunea cu ventilație în cea filtrantă sunt deja conținute în acest manual.

Versiunea aspirantă

Vaporii sunt evacuați către exterior prin intermediul unui tub de evacuare fixat la flanșa de racord.

⚠ ATENȚIE!

Tubul de evacuare nu se furnizează din dotare; acesta trebuie achiziționat.

Diametrul tubului de evacuare trebuie să fie echivalent cu diametrul inelului de conexiune.

⚠ ATENȚIE!

Dacă hota este prevăzută cu filtre de carbon, acestea trebuie să fie scoase.

Versiunea filtrantă

Aerul aspirat va fi degresat și dezodorizat înainte de a fi reintrodus în cameră. Pentru a utiliza hota în această versiune este necesar să instalați un sistem de filtrare suplimentar pe bază de carbon activ.

COMENZI

Hota este dotată cu un panou de comandă, de la care se modifică viteza de aspirație și se declanșează aprinderea becurilor pentru iluminarea blatului de aragaz.



T1



T2



T3

P

T4

ZEN

T5



T6



ACTIVAREA/DEZACTIVAREA vitezei 1 a motorului ventilator



ACTIVAREA/DEZACTIVAREA vitezei 2 a motorului ventilator



ACTIVAREA/DEZACTIVAREA vitezei 3 a motorului ventilator

P

ACTIVAREA/DEZACTIVAREA funcției „POWER BOOST” (controlată în timp)

Notă: hota va reveni la treapta a 3-a de viteză după cinci minute.

ZEN

Funcționarea funcției de ACTIVARE/ DEZACTIVARE a „Modului ZEN”

Notă: Această funcție permite activarea unei viteze de aspirație care reprezintă echilibrul perfect dintre silențiozitate și eficiență a aspirației.




APRINDEREA/STINGEREA luminii principale

ALARMĂ FILTRU PENTRU GRĂSIME/DE CARBON/RESETARE

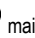
La intervale regulate, hota semnalizează necesitatea de a efectua întreținerea filtrului.

Notă: Indicatorii vor funcționa timp de 40 de secunde după oprirea motorului ventilatorului.

butoanele  +  clipească: efectuați întreținerea filtrului pentru grăsime.

butoanele  + **P** clipească: efectuați întreținerea filtrului de carbon.

Notă: alarma filtrului de carbon este în mod normal dezactivată, pentru activare: opriți hota, apoi apăsați și mențineți apăsată butoanele

 + **P** mai mult de 3 secunde, amândouă semnalele se aprind pentru aproximativ 3 secunde pentru a indica activarea alarmei filtrului de carbon. Repetați operațiunea pentru dezactivare (amândouă semnalele clipească pentru 3 secunde).

Resetarea indicatorilor de semnalizare a saturației filtrului

Apăsați și mențineți apăsată semnalele pentru aproximativ 3 secunde în timp ce clipească.

ÎNTREȚINEREA

Curățarea

Pentru curățare folosiți **EXCLUSIV** un material îmbibat cu detergenți lichizi neutri. **NU UTILIZAȚI UNELTE SAU INSTRUMENTE PENTRU CURĂȚARE!** Evitați folosirea produselor pe bază de abrazivi **NU FOLOSIȚI ALCOOL!**

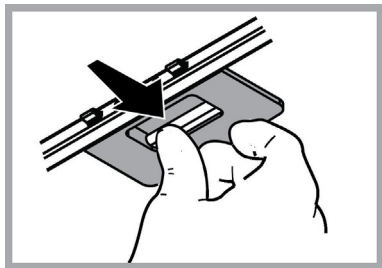
Întreținere filtra anti-grăsimi

Captează particulele de grăsime care apar în timpul pregătirii alimentelor.

Trebuie să fie curățat o dată pe lună (sau când sistemul de semnalizare a saturației filtrelor – dacă modelul dvs. este prevăzut – indică această necesitate), cu detergenți neabrazivi, manual sau utilizând mașina de spălat vase, la temperaturi scăzute și folosind un program scurt.

Filtrul metallic anti-grăsimi, spălat cu mașina de spălat vase se poate decolora, dar nu-și va pierde caracteristicile de filtrare.

Pentru demontarea filtrului trageți mânerul de prindere cu resort.



Întreținere filtru cu cărbune activ

Reține mirosurile neplăcute, derivate în urma procesului de gătit a alimentelor.

Saturarea filtrului de carbon apare după un anumit timp de utilizare, care variază în funcție de tipul aragazului și de regularitatea curățării filtrului degresant. În orice caz, este necesar să înlocuiți cartușul la maxim patru luni (sau când sistemul indicator vă semnalizează saturarea filtrelor – dacă este prevăzut pe modelul dvs).

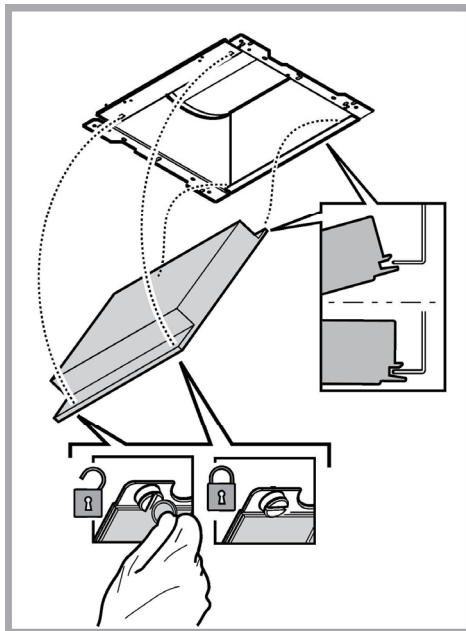
NU-1 spălați sau refolosiți

Montare

Agățați filtrul de cărbune activ mai întâi posterior pe dispozitivul metallic al hotei, apoi anterior cu cele două mânere.

Demontare

Îndepărtați filtrul de cărbune activ rotind 90° mânerul ce îl fixează la hotă.



Înlocuirea becurilor

Hota este dotată cu un sistem de iluminare bazat pe tehnologia LED.

LEDURILE garantează o iluminare optimă, o durată de până la 10 ori mai mare față de becurile tradiționale și permit economisirea a 90% de energia electrică.


Pentru înlocuirea becurilor, contactați centrul de service autorizat pentru piese de schimb.

ELIMINARE

Acest aparat este marcat în conformitate cu Directiva Europeană 2012/19/EC referitoare la Deșeurile de Echipament Electric și Electronic (WEEE).

Asigurându-vă că acest produs este eliminat în mod corect, contribuiți la prevenirea potențialelor consecințe negative asupra mediului înconjurător și sănătății persoanelor, consecințe care ar putea fi provocate de aruncarea necorespunzătoare la gunoi a acestui produs.



Simbolul  de pe produs, sau de pe documentele care însoțesc produsul, indică faptul că acesta nu poate fi aruncat împreună cu deșeurile menajere. Trebuie predat la punctul de colectare corespunzător, pentru reciclarea echipamentului electric și electronic.

Aruncarea la gunoi a aparatului trebuie făcută în conformitate cu normele locale pentru eliminarea deșeurilor.

Pentru informații mai detaliate privind eliminarea, valorificarea și reciclarea acestui produs, vă rugăm să contactați administrația locală, serviciul de eliminare a deșeurilor menajere sau magazinul de unde ați cumpărat produsul.

Aparat proiectat, testat și fabricat în conformitate cu:

- Siguranță: EN/IEC 60335-1; EN/IEC 60335-2-31, EN/IEC 62233.
- Randament: EN/IEC 61591; ISO 5167-1; ISO 5167-3; ISO 5168; EN/IEC 60704-1; EN/IEC 60704-2-13; EN/IEC 60704-3; ISO 3741; EN 50564; IEC 62301.
- EMC: EN 55014-1; CISPR 14-1; EN 55014-2; CISPR 14-2; EN/IEC 61000-3-2; EN/IEC 61000-3-3.

Recomandări pentru o utilizare corespunzătoare în scopul reducerii impactului asupra mediului: Când începeți să gătiți, porniți hota la viteză minimă și lăsați-o să funcționeze timp câteva minute după ce ați terminat de gătit. Măriți viteza în cazul cantităților mari de fum sau vapori și utilizați viteza/ele sporită/e doar în cazuri extreme. Înlocuiți filtrul/ele de carbon, atunci când este necesar, pentru a menține o eficiență optimă de reducere a mirosului. Curățați filtrul/ele de grăsime, atunci când este necesar, pentru a menține o eficiență optimă a filtrului. Utilizați diametrul maxim al sistemului de conducte indicat în acest manual pentru a optimiza eficiența și pentru a reduce la minimum nivelul de zgomot.





ANOMALII DE FUNCȚIONARE

Dacă ceva nu pare să funcționeze, înainte de a face un apel la Serviciul de Asistență, efectuați următoarele verificări simple:

- Dacă hota nu funcționează:
 - Verificați dacă:
 - nu este vorba de o pană de curent.
 - a fost selecționată o viteză.
- Dacă hota are un randament redus: Verificați dacă:
 - Viteza selecționată pentru motor este suficientă pentru cantitatea de fum și vapori care este eliberată.
 - Bucătăria este aerată suficient pentru a permite priza de aer.
 - Filtrul cu cărbune nu este consumat (hota în versiunea filtrantă).
- Dacă hota s-a oprit în timpul funcționării normale: Verificați dacă:
 - nu este vorba de o pană de curent.
 - dispozitivul de comutare nu s-a decuplat.

În caz de defecțiuni, înainte de a contacta Serviciul de Asistență Tehnică, deconectați timp de cel puțin 5 sec. aparatul trăgând de ștecher și apoi conectați-l din nou. În cazul în care defecțiunea persistă, contactați Serviciul de asistență.

CARACTERISTICI TEHNICE

Înălțime (cm)	Lățime (cm)	Adâncime (cm)	Ø tubului de evacuare (cm)
 61,9-114,7  70,6-114,7	89,8	45	15
 61,9-114,7  70,6-114,7	59,8	45	15

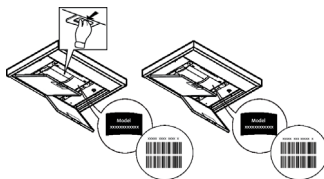


Componentele nu sunt furnizate împreună cu produsul



Puteți descărca instrucțiunile privind siguranța, manualul de utilizare, fișa tehnică a produsului și datele energetice:

- Vizitând site-ul nostru web docs.whirlpool.eu
- Utilizând codul QR
- Ca alternativă, **contactați serviciul nostru de asistență tehnică post-vânzare** (consultați numărul de telefon din certificatul de garanție). Când contactați serviciul nostru de asistență tehnică post-vânzare, vă rugăm să precizați codurile specificate pe plăcuța cu date de identificare a produsului dumneavoastră.



ОБЩИЕ ПРАВИЛА ТЕХНИКИ БЕЗОПАСНОСТИ

- Перед началом какой либо операции по чистке или обслуживанию, отключить вытяжку от электрической сети, вынимая вилку из розетки или отключая общий выключатель помещения. Для всех операций по установке и обслуживанию использовать рабочие рукавицы.
- Прибор может быть использован детьми не младше 8 лет и лицами со сниженными физическими, сенсорными или умственными способностями, или же с недостаточным опытом, если находятся под контролем, или если были обучены использовать прибор безопасным образом и если понимают связанные с этим опасности.
- Дети должны быть под контролем и не должны играть с прибором.
- Операции по чистке и обслуживанию не должны проводиться детьми без надзора
- Помещение должно иметь достаточную вентиляцию, когда кухонная вытяжка используется одновременно с другими приборами, работающими на газе или других топливах.
- Вытяжка должна часто очищаться как внутри, так и снаружи (ХОТЯ БЫ ОДИН РАЗ В МЕСЯЦ), придерживаясь того, что указано в инструкциях по обслуживанию.
- Несоблюдение норм чистки вытяжки и замены и чистки фильтров увеличивает риск возгорания.

Строго запрещено приготовление еды на открытом огне под вытяжкой.

- Для замены лампочки освещения использовать только тип лампочки указанный в разделе обслуживания/замены лампочки этого руководства.
- Использование открытого пламени наносит ущерб фильтрам и может привести к загораниям, поэтому должно избегаться в любом случаи.

Жаренье должно проводиться под надзором, чтобы избежать возможности возгорания раскаленного подсолнечного масла.

ВНИМАНИЕ: Когда варочная поверхность работает, доступные части вытяжки могут нагреваться.

- Не подключать прибор к электрической сети до тех пор, пока установка полностью не закончена.
- То что касается технических мер и мер безопасности в применении до сброса паров строго придерживаться того что предусматривается по нормам локальных компетентных органов.
- Всасываемый воздух не должен выпускаться в трубу, используемую для выбросов дымов приборами, работающими на газе или других топливах.
- Не использовать или оставлять вытяжку без лампочек правильно установленных с риском получить удар электрическим током.
- Никогда не использовать вытяжку без правильно установленной решётки!
- Вытяжка НИКОГДА не должна использоваться, как опорная поверхность, если только не указано иначе.
- Использовать только винты для фиксирования в комплекте с продуктом для установки или, если нет в комплекте, приобрести винты правильного типа.
- Использовать правильную длину винтов, указанную в руководстве по установке.
- В случае сомнений, консультироваться в авторизованном центре по обслуживанию или с квалифицированным персоналом.

▲ ВНИМАНИЕ!

- Неустановка соответствующих винтов и приспособлений для фиксирования в соответствии с этими инструкциями может привести к рискам электрического происхождения.
- Не используйте устройство с программатором, таймером, отдельным пультом дистанционного управления или любым другим устройством, которое включается автоматически.

Не подпускайте к прибору детей младше 3 лет. Без постоянного надзора со стороны взрослых к прибору нельзя допускать детей младше 8 лет.

▲ ВНИМАНИЕ: прибор не предназначен для включения при помощи внешних устройств или отдельного дистанционного управления.

▲ Этот прибор не предназначен для профессионального применения. Не используйте прибор вне помещений.

▲ Во избежание травм, прибор должен перемещаться и устанавливаться силами не менее двух человек.

▲ Установка, включая подключение водопроводной сети (если такое предусмотрено) и электрические соединения, а также ремонтные операции, должны выполняться квалифицированными специалистами.

По завершении установки, храните упаковочные материалы (пластиковые, полистироловые детали и т.п.) в недоступном для детей месте во избежание инцидентов с удушьем.

Не пользуйтесь прибором, будучи мокрыми или с босыми ногами.

Никогда не применяйте прибор для чистки паром - риск удара электрическим током.

Упаковочный материал может на 100% использоваться вторично и маркирован соответствующим значком вторпереработки



Вытяжка может иметь дизайн, отличающийся от вытяжки показанной на рисунках данного руководства, тем не менее, руководство по эксплуатации, техническое обслуживание и установка остаются те же.

Изделие хозяйственно-бытового назначения. Производитель снимает с себя всякую ответственность за неполадки, ущерб или пожар, которые возникли при использовании прибора вследствие несоблюдения инструкций, приведенных в данном руководстве. Вытяжка служит для всасывания дыма и пара при приготовлении пищи и предназначена только для бытового использования.

- Очень важно сохранить эту инструкцию, чтобы можно было обратиться к ней в любой момент. Если изделие продается, передается или переносится обеспечить, чтобы инструкция всегда была с ним.
- Внимательно прочитайте инструкцию. В ней находится важная информация по установке, эксплуатации и безопасности.
- Запрещается выполнять изменения в электрической или механической части изделия или в трубах рассеивания.
- Перед началом установки оборудования убедитесь в целостности и сохранности всех компонентов. При наличии любых повреждений обратитесь к поставщику и ни в коем случае не начинайте монтаж оборудования.

Расстояние нижней грани вытяжки над опорной плоскостью под сосуды на кухонной плите должно быть не менее 50см – для электрических плит, и не менее 65 см для газовых или комбинированных плит.

Если в инструкциях по установке газовой плиты оговорено большее расстояние, то учтите это.

ЭЛЕКТРИЧЕСКОЕ СОЕДИНЕНИЕ

Напряжение сети должно соответствовать напряжению, указанному на табличке технических данных, которая размещена внутри прибора. Если вытяжка снабжена вилкой, подключите вытяжку к штепсельному разъему. Он должен отвечать действующим правилам и быть расположен в легкодоступном месте. Включить в розетку можно после установки. Если же вытяжка не снабжена вилкой (прямое подключения к сети), или штепсельный разъем не расположен в доступном месте, также и после установки, то используйте надлежащий двухполюсный выключатель, обеспечивающий полное размыкание сети при возникновении условий перенапряжения 3-ей категории, в соответствии с инструкциями по установке.

▲ ВНИМАНИЕ!

прежде чем подключить к сети питания электрическую систему вытяжки и проверить исправное функционирование ее убедитесь в том, что кабель питания правильно смонтирован.

Если кабель не оснащен вилкой, подключите провода в соответствии со следующей таблицей:

Напряжение и частота сети

См. величины, указанные в наклейке с техническими характеристиками внутри колпака.

Цвет жилы



: желтый/зеленый

N : синий

L : коричневый

Замена электрокабеля

Вытяжка имеет специальный кабель электропитания; в случае повреждения кабеля, необходимо заказать его в службе по техническому обслуживанию.

ВЫБРОС ВОЗДУХА

(для исполнения с отводом воздуха)

Подсоедините вытяжку к выводной трубе с диаметром соответствующим отверстию выхода воздуха (соединительный фланец).

Установка труб с меньшим диаметром даст уменьшение мощности всасывания воздуха и резкое увеличение уровня шума.

Производитель снимает с себя всякую ответственность по отношению выше сказанного.

! Использовать трубу с минимально необходимой длиной.

! Использовать трубу с наименьшим количеством изгибов (максимальный угол изгиба: 90°).

! Избегать резкого изменения сечения трубы.

! Предприятие снимает с себя какую-либо ответственность если данные правила не выполняются.

С РЕЦИРКУЛЯЦИЕЙ ИЛИ С ВЫВОДОМ ?

! Ваша вытяжка готова к использованию в режиме отвода.

Для того чтобы использовать вытяжку в режиме рециркуляции необходимо установить ДОПОЛНИТЕЛЬНЫЙ КОМПЛЕКТ.

Проверьте на первых страницах данного руководства, входит ли ДОПОЛНИТЕЛЬНЫЙ КОМПЛЕКТ в поставку или его необходимо приобрести отдельно.

Примечание: Если входит в поставку оборудования, в некоторых случаях, дополнительный комплект угольных фильтров может уже быть установлен на вытяжке.

Информация по переводу вытяжки из режима отвода в режим рециркуляции уже входит в данное руководство.

Исполнение с рециркуляцией

В этом режиме испарения выводятся наружу через гибкий трубопровод, подсоединенный к соединительному кольцу.

⚠ ВНИМАНИЕ!

Выводная труба не входит в комплект и должна быть приобретена отдельно.

Диаметр выводной трубы должен соответствовать диаметру соединительного кольца.

⚠ ВНИМАНИЕ!

Если вытяжка снабжена угольным фильтром, то уберите его.

Исполнение с отводом воздуха

Должен использоваться угольный фильтр, имеющийся в наличии у вашего дистрибьютора. Втягиваемый воздух обезжиривается и дезодорируется перед тем, как вновь возвращается в помещение через верхнюю решетку.

КОМАНДЫ

Вытяжка оснащена панелью управления для контроля скорости вытяжного вентилятора и включения света для освещения рабочей поверхности плиты.



T1



T2



T3

P

T4

ZEN

T5



T6



Двигатель вентилятора / ВКЛ/ВЫКЛ 1-ю скорость



Двигатель вентилятора / ВКЛ/ВЫКЛ 2-ю скорость



Двигатель вентилятора / ВКЛ/ВЫКЛ 3-ю скорость

P

Функция ВКЛ/ВЫКЛ "POWER BOOST" (с управлением по времени)

Примечание: вытяжка вернется к 3-й скорости через пять минут.

ZEN Функция ВКЛ/ВЫКЛ режима "ZEN Mode"

Примечание: Этот режим позволяет активировать скорость вытяжной вентиляции с идеальным балансом между бесшумностью и эффективностью.


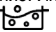


Главный выключатель подсветки

АВАРИЙНЫЙ СИГНАЛ ЖИРОВОГО/УГОЛЬНОГО ФИЛЬТРА / СБРОС


С регулярными интервалами вытяжка сигнализирует о необходимости технического обслуживания фильтров.

Примечание: Индикаторы будут работать всего 40 секунд после выключения частоты вращения вентилятора.

 +  мигают: выполните обслуживание жирового фильтра.

 + P мигают: выполните обслуживание угольного фильтра.

Примечание: Сигнал угольного фильтра обычно отключен, для включения: выключить вытяжку, затем нажать комбинацию

 + P и удерживать более 3 секунд, оба сигнала загораются примерно на

3 секунды, указывая на включение сигнала угольного фильтра. Для отключения повторить операцию (оба сигнала мигают примерно 3 секунды).

Сброс индикаторов засорения фильтра

Нажать и удерживать почти 3 секунды мигающие сигналы.

ТЕХНИЧЕСКОЕ ОБСЛУЖИВАНИЕ

Очистка

Для очистки используйте **ТОЛЬКО** специальную тряпку, смоченную нейтральным жидким моющим средством. **НЕ ИСПОЛЬЗУЙТЕ НИКАКИЕ ИНСТРУМЕНТЫ ДЛЯ ОЧИСТКИ.** Не применяйте средства, содержащие абразивные материалы. **НЕ ПРИМЕНЯЙТЕ СПИРТ!**

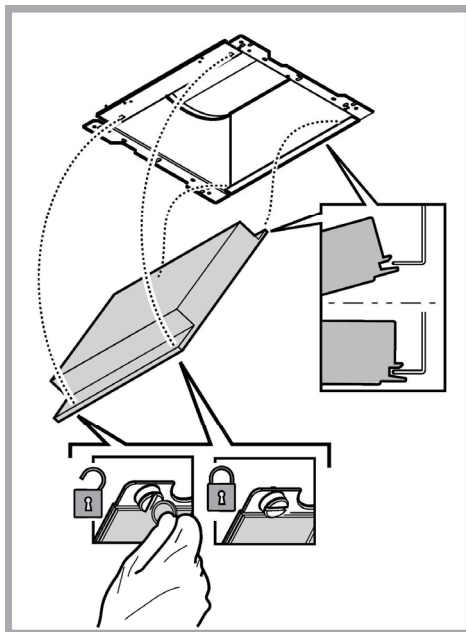
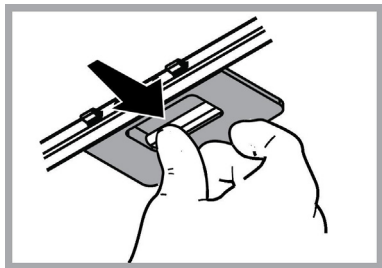
Обслуживание жировых фильтров

Удерживает частицы жира, исходящие от плиты.

Фильтр следует чистить ежемесячно (или когда система индикации насыщения фильтров, если она имеется в Вашей модели, указывает на данную необходимость) неагрессивными моющими средствами, вручную или в посудомоечной машине при низкой температуре и экономичном цикле мытья.

При мытье в посудомоечной машине может иметь место некоторое обесцвечивание фильтра задержки жира, но его фильтрующая характеристика остается абсолютно неизменной.

Для снятия жирового фильтра потяните к себе подпружиненную ручку отцепления фильтра.



Замена ламп

Вытяжка оборудована освещением на светодиодах LED.

Светодиоды обеспечивают оптимальное освещение, их срок службы в 10 раз превышает срок работы традиционных лампочек, и позволяют экономить 90% электроэнергии.

Для замены светодиодов обратитесь в авторизованный сервисный центр.

Обслуживание угольного фильтра

Удаляет неприятные запахи кухни.

Насыщение угольного фильтра происходит по истечении более или менее длительного периода эксплуатации, предопределяемого типом кухни и периодичностью очистки фильтров задержки жира. В любом случае, заменяйте картридж по крайней мере через каждые 4 месяца (или когда система индикации насыщения фильтров, если она имеется в Вашей модели, указывает на данную необходимость).

Угольный фильтр НЕ подлежит мойке или регенерации.

Установка

Навесить угольный фильтр сначала задней стороной на металлический язычок вытяжки, потом переднюю часть закрепить двумя ручьятами.

Демонтаж


Снять угольный фильтр, поворачивая на 90° ручьятки, которые фиксируют его с вытяжкой.

УТИЛИЗАЦИЯ

Данное изделие помаркировано в соответствии с Европейской директивой 2012/19/EC по утилизации электрического и электронного оборудования (WEEE).

Обеспечив правильную утилизацию данного изделия, Вы можете предотвратить потенциальные негативные последствия для окружающей среды и здоровья человека.



Символ  на самом изделии или сопроводительной документации указывает, что при утилизации данного изделия с ним нельзя обращаться как с обычными бытовыми отходами. Вместо этого, его следует сдавать в соответствующий пункт приемки электрического и электронного оборудования для последующей утилизации.

Сдача на слом должна производиться в соответствии с местными правилами по утилизации отходов.

За более подробной информацией о правилах обращения с такими изделиями, их утилизации и переработки обращайтесь в местные органы власти, в службу по утилизации отходов или в магазин, в котором Вы приобрели данное изделие.

Устройство разработано, испытано и изготовлено в соответствии с:

- Безопасность: EN/IEC 60335-1; EN/IEC 60335-2-31, EN/IEC 62233.
- Эксплуатационные характеристики: EN/IEC 61591; ISO 5167-1; ISO 5167-3; ISO 5168; EN/IEC 60704-1; EN/IEC 60704-2-13; EN/IEC 60704-3; ISO 3741; EN 50564; IEC 62301.
- EMC: EN 55014-1; CISPR 14-1; EN 55014-2; CISPR 14-2; EN/IEC 61000-3-2; EN/IEC 61000-3-3. Предложения для правильного использования в целях снижения воздействия на окружающую среду: Включите вытяжной колпак на минимальной скорости, когда начинаете готовить, и оставьте его работать в течение нескольких минут после того, как закончите готовить. Увеличивайте скорость только в случае большого количества дыма и пара, и прибегайте к использованию повышенных скоростей только в экстремальных ситуациях. Заменяйте угольный фильтр(ы), когда это необходимо, для поддержания хорошей эффективности уменьшения запахов. Очищайте жировой/ые фильтр(ы), когда это необходимо, для поддержания хорошей эффективности жирового фильтра. Используйте максимальный диаметр системы воздухопроводов, указанный в данном руководстве, для оптимизации эффективности и минимизации уровня шума.



АНОМАЛИИ В РАБОТЕ

Если что-то не работает должным образом, перед тем как обратиться в Службу по техническому обслуживанию, выполните следующие простые проверки:

- Если вытяжка не работает:
Проверить:
 - что бы не была прервана подача тока.
 - что бы была выбрана скорость.
- Если вытяжка плохо работает:
Проверить:
 - что выбранная скорость двигателя достаточна для выработанного количества дыма и пара.
 - что кухня достаточно проветрена для того, чтобы вытяжка могла выполнить забор воздуха.
 - что угольный фильтр не отработан (вытяжка в режиме с рециркуляцией воздуха).
- Если вытяжка выключилась в ходе нормальной работы:
Проверить:
 - что не прервана подача тока.
 - что не сработал однополюсный выключающий аппарат.

В случае возможных аномалий в работе, перед тем как обратиться в службу технического обслуживания отключить от электропитания аппарат минимум на 5 секунд, вынимая вилку и потом подсоединить его снова. Если аномалия в работе продолжает существовать обратиться в службу техобслуживания.

ТЕХНИЧЕСКИЕ ДАННЫЕ

Высота (см)	Ширина (см)	Глубина (см)	Ø вытяжной трубы (см)
 61,9-114,7  70,6-114,7	89,8	45	15
 61,9-114,7  70,6-114,7	59,8	45	15

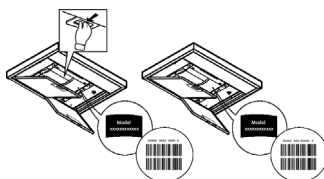


Комплектующие, не входящие в комплект деталей к изделию



Чтобы загрузить инструкции по безопасности, руководство по эксплуатации, технический лист изделия и показатели энергоэффективности:

- Посетите наш веб-сайт docs.whirlpool.eu
- Используйте QR-код
- Или обратитесь в наш Сервисный центр (Номер телефона указан в гарантийном талоне). При обращении в наш Сервисный центр сообщите коды, указанные на паспортной табличке изделия.



VŠEOBECNÁ BEZPEČNOSŤ

- Pred každým čistením alebo údržbou, odpojte odsávač pár od elektrickej siete vytiahnutím zástrčky alebo vypnutím hlavného vypínača bytu.
- Pre všetky inštaláčne a údržbové operácie používajte pracovné rukavice.
- Zariadenie môže byť používané deťmi vo veku nie menej ako 8 rokov a osobami so zníženými fyzickými, zmyslovými alebo duševnými schopnosťami, alebo nedostatkom skúseností a potrebných znalostí, pokiaľ sú pod primeraným dozorom, alebo dostali pokyny o bezpečnom užívaní zariadenia a keď si uvedomujú s ňou spojené nebezpečenstvo.
- Deti musia byť kontrolované, aby sa nehrali so zariadením.
- Čistenie a údržbu nesmú vykonávať deti bez dozoru.
- Miestnosť musí mať dostatočné vetranie, keď kuchynský odsávač pár sa používa súčasne s inými zariadeniami spaľujúce plyn alebo iných palív.
- Odsávač pár sa musí pravidelne čistiť ako vnútorne tak zvonka (ASPOŇ RAZ ZA MESIAC), v každom prípade rešpektujte ako je výslovne uvedené v návode na údržbu.
- Nedodržiavanie noriem čistenia odsávača pár a výmeny a čistenia filtrov môže spôsobiť požiare. Je prísne zakázané pod odsávačom pár robiť jedlá na plameni.
- Pri výmene lampy používajte len typ lampy uvedený v sekcii údržba/výmena lampy v tejto príručke.

Používanie otvoreného ohňa poškodzuje filtre a môže spôsobiť požiar a preto sa mu treba v každom prípade vyhnúť.

Vyprázdnenie musí byť vykonané pod kontrolou, aby prehriaty olej sa nezapálil.

POZOR: Keď je varná doska v prevádzke, prístupné časti odsávača pary sa môžu zahriať.

- **Nepripájajte zariadenie do elektrickej siete, kým inštalácia nie úplne dokončená.**
- Pokiaľ ide o technické a bezpečnostné opatrenia, ktoré sa majú prijať pre vypúšťanie výparov, prísne sa dodržujte nariadeniami ustanovenými príslušnými miestnymi úradmi .
- Odsávaný vzduch nesmie byť dopravený do potrubia používaného pre vypúšťanie výparov produkovaných zariadeniami spaľujúcimi plyn alebo iné palivá.
- Nepoužívajte alebo nechajte odsávač pár bez správne namontovaných lúčok kvôli možnému riziku úrazu elektrickým prúdom.
- Nikdy nepoužívajte odsávač pár bez správne namontovanej mriežky!
- Odsávač pár sa nesmie NIKDY používať ako nosný povrch, pokiaľ nie je výslovne uvedené
- Používajte len upevňovacie skrutky dodávané s výrobkom pre inštaláciu alebo, ak nie sú súčasťou dodávky, kúpte správny typ skrutiek.
- Používajte správnu dĺžku skrutiek, ktorá je označená v Návode na inštaláciu.
- Ak si nie ste istí, poraďte sa s autorizovaným servisným strediskom alebo podobným kvalifikovaným personálom.


▲ POZOR!


- Chýbajúca inštalácia upevňovacích skrutiek alebo prostriedkov v súlade s týmito pokynmi môže spôsobiť úraz elektrickým prúdom.
- Nepoužívajte s programovacím zariadením, časovačom, samostatným diaľkovým ovládaním alebo s akýmkoľvek iným zariadením, ktoré sa aktivuje samostatne.

Uchovávajte zariadenie mimo dosahu detí vo veku do 3 rokov. Uchovávajte zariadenie mimo dosahu detí vo veku do 8 rokov, pokiaľ nie sú pod nepretržitým dozorom dospelého osoby.

▲ OPOZORNENIE: zariadenie nie je určené na to, aby sa spúšťalo pomocou externého zariadenia alebo samostatného diaľkového ovládacieho systému.

 Toto zariadenie nie je určené na profesionálne použitie. Nepoužívajte zariadenie v exteriéri.

 Aby sa predišlo riziku zranenia osôb, zariadenie musia premiestňovať a inštalovať minimálne dve osoby.

 Inštaláciu, vrátane prípadných vodovodných prípojek a elektrického vedenia, a opravy smú vykonávať iba kvalifikovaní pracovníci. Po dokončení inštalácie uchovávajte obalové materiály (plastové časti, polystyrén atď.) mimo dosahu detí, aby ste predišli riziku udusenía.

Nepoužívajte zariadenie, keď ste mokří alebo bosí.

Nikdy nepoužívajte prístroje na tlakové čistenie – riziko úrazu elektrickým prúdom.



Obalové materiály sú 100 % recyklovateľné a sú označené značkou pre recykláciu

Odsávač pary môže mať odlišný vzhľad ako je zobrazený na nákrese v tejto knižke, ale napriek tomu návody pre použitie, údržba a montáž ostávajú rovnaké.

Prísne dodržiavajte pokyny uvedené v tomto návode. Výrobca odmieta prevziať akúkoľvek zodpovednosť za prípadné poškodenie, poruchy, škody, alebo vznietenie odsávača, ktoré bolo spôsobené nedodržaním týchto predpisov. Odsávač pár slúži výhradne na odsávanie pár, dymu, pachov vzniknutých pri varení a je určený výhradne pre domáce použitie.

- Je dôležité uchovať si túto príručku, aby ste ju mohli Použiť v akomkoľvek okamihu. V prípade predaje, postúpení či sťahovaní zaistite, aby zostala spoločne s odsávačom pár.
- Pozorne si prečítajte návod: obsahuje dôležité informácie o inštalácii, použití a bezpečnosti.
- Nemeňte elektrickú či mechanickú úpravu výrobku alebo potrubie na odvod pár.
- Skôr než budete pokračovať s inštaláciou zariadenia, overte, všetky súčiastky či nie sú poškodené. V opačnom prípade obráťte sa na predajcu a nepokračujte v inštalácii.

Minimálna vzdialenosť medzi podporou nádoby na varnej ploche a najnižšou časťou digestora nesmie byť menšia než 50cm v prípade elektrických sporákov, 65cm v prípade plynových či kombinovaných/zmiešaných sporákov.

Pokiaľ návod na inštaláciu varného zariadenia na plyn odporúča väčšiu vzdialenosť, je treba sa týmto pokynom riadiť.

ELEKTRICKÉ PRIPOJENIE

Sieťové napätie musí zodpovedať napätiu uvedenému na štítku s charakteristikami umiestnenom vo vnútri odsávača. Pokiaľ je odsávač vybavený prípojkou/vidlicou, stačí ju zapojiť do zásuvky zodpovedajúcej aktuálnym normám, ktorá sa nachádza v ľahko dosiahnuteľnom priestore aj po prevedenej montáži. Pokiaľ odsávač nie je vybavený prípojkami/vidlicou (priame pripojenie k sieti) alebo sa zásuvka nenachádza v ľahko dosiahnuteľnom priestore aj po prevedení montáže, je nutné použiť dvojpólový vypínač zodpovedajúci normám, ktorý zaručí úplné odpojenie od siete v podmienkach kategórie prepätí III, v súlade s pravidlami inštalácie.

UPOZORNENIE!


Skôr než opäť napojíte obvod digestora na sieťové napájanie a overíte správne fungovanie, skontrolujte si vždy, že sieťový kábel bol správne namontovaný.

Pokiaľ nie je kábel opatrený zástrčkou, pripojte vodiče podľa informácií nasledujúcej tabuľky:

Sieťové napätie a frekvencia

Uvedenú hodnotu si overte na štítku s vlastnosťami zariadenia, umiestnenom vo vnútri zariadenia.

Pripojenie vodičov

 : žltá/zelený

N : modrý

L : hnedý

Výmena napájacieho kábla

Digestor je vybavený špeciálnym napájacím káblom; v prípade poškodenia káblu si ho vyžiadajte u servisnej služby.

VYPÚŠŤANIE VZDUCHU

(iba pre odsávacie verzie)

Napojte digestor na odtáhové potrubie s rovnakým priemerom ako vývod vzduchu (spojovacia príručka).

Použitie odvodových trubíc a otvorov do steny s menším priemerom má za následok zníženie odsávadsej výkonnosti e drastické zvýšenie hlučnosti.

V tejto zásluže sa vyhýba každej zodpovednosti.

- ! Používajte čo najkratšie odťahové potrubie.
- ! Používajte odťahové potrubie s čo najmenším počtom záhybov (maximálny uhol záhybu: 90°).
- ! Vyhňte sa zásadným zmenám sekcie vedenia odťahu.
- ! Spoločnosť sa vyhýba akejkoľvek zodpovednosti, pokiaľ tieto normy sa nedodržia.

FILTRČNÁ ALEBO ODSÁVACIA ?

- ! Váš odsávač pary je pripravený pre použitie v odsávacej verzii. Pre použitie odsávača pary vo filtračnej verzii, nainštaluje sa príslušná SADA PRÍSLUŠENSTVA. Overiť si na prvých stranách tejto príručky, či SADA PRÍSLUŠENSTVA je dodaná vo výbave alebo je ju potrebné zakúpiť. **Poznámka:** Ak je dodaná vo výbave, doplnkový filtračný systém na základe aktívneho uhlia, mohol už by byť nainštalovaný na odsávači pary. Informácie pre transformáciu odsávača pary z odsávacej verzii na filtračnú verziu sú už zahrnuté v tejto príručke.

Odsávacia verzia

Výpary sú vypúšťané von prostredníctvom výfukového potrubia upevneného na spojovacej príruke.

⚠ UPOZORNENIE!

Odťahové potrubie nie je súčasťou výbavy a je nutné ho zakúpiť. Priemer výfukového potrubia sa musí zhodovať s priemerom spojovacieho prstenca.

⚠ UPOZORNENIE!

Ak odsávač pary je vybavený uhlíkovými filtrami, tak tie musia byť vybraté.

Filtračné verzia

Odsávaný vzduch bude pred návratom do miestnosti zbavený tukov a pachov. K použitiu digestora v tejto verzii je nutné inštalovať dodatočný systém filtrovania na základe aktívnych uhlíkov.

Nasatý vzduch sa pred znovu privedením do miestnosti najprv odmastí a sa zbaví zápachu. Aby sa mohol odsávač pary používať v takejto verzii, je potrebné nainštalovať dopĺňajúci filtračný systém na základe aktívneho uhlia.

RIADENIA

Odsávač pary je vybavený ovládacím panelom s kontrolou odsávacej rýchlosti a s kontrolou zapínania svetidla na osvetlenie varnej pracovnej plochy.



T1



T2



T3

P

T4

ZEN

T5



T6



Motor ventilátora/ ZAP./VYP. 1. rýchlosť



Motor ventilátora/ ZAP./VYP. 2. rýchlosť



Motor ventilátora/ ZAP./VYP. 3. rýchlosť

P

Funkcia ZAP./VYP. POWER BOOST (s časovou reguláciou)
Poznámka: Digestor sa po piatich minútach vráti na 3. rýchlosť.

ZEN Funkcia ZAP./VYP. režimu „ZEN Mode“

Poznámka: Táto funkcia umožňuje aktivovať rýchlosť odsávania s dokonalou rovnováhou medzi tichom a účinnosťou odsávania.

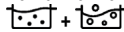
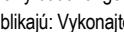


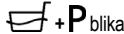
ZAP./VYP. hlavné osvetlenie

ALARM/RESETOVANIE FILTRA MASTNOTY/UHLÍKOVÉHO FILTRA


V pravidelných intervaloch digester signalizuje potrebu vykonať údržbu filtra.

Poznámka: Kontrolky budú fungovať iba 40 sekúnd po vypnutí rýchlosti ventilátora.

 +  blikajú: Vykonajte údržbu filtra mastnoty.

 + **P** blikajú: vykonajte údržbu uhlíkového filtra.

Poznámka: alarm uhlíkového filtra je normálne vypnutý, ak ho chcete

aktivovať: vypnite digester, potom stlačte a podržte  + **P** dlhšie ako 3 sekundy, obe kontrolky sa asi na 3 sekundy rozsvietia, čo znamená, že alarm uhlíkového filtra je aktivovaný. Ak ho chcete vypnúť, postup zopakujte (obe kontrolky cca 3 sekundy blikajú).

Vynulovanie ukazovateľov nasýtenia filtra

Stlačte a podržte takmer na 3 sekundy blikajúce kontrolky.

ÚDRŽBA

Čistenie

Pri čistení je treba použiť **VÝLUČNE** látku navrhnutú neutrálnymi tekutými čistiacimi prostriedkami.

NEPOUŽÍVAJTE ŽIADNE NÁSTROJE ALEBO POMOCKY NA ČISTENIE. NEPOUŽÍVAJTE ALKOHOOL!

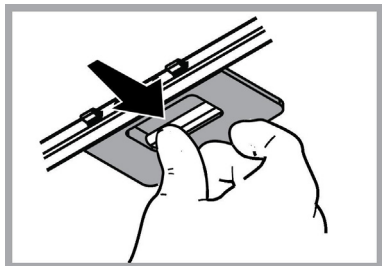
Údržba protitukových filtrov

Udržiava častice tukov pochádzajúcich z varenia.

Musí byť čistený jedenkrát za mesiac (alebo keď upozorňovací systém nasýtenosti filtrov – ak je s ním príslušný model vybavený – upozorňuje túto nevyhnutnosť), neodráždivými čistiacimi prostriedkami ručne alebo v umývačke s nízkou teplotou vody a krátkym cyklusovým programom.

Umývaním v umývačke, protitukový filter sa môže odfarbiť, ale jeho filtračná charakteristika sa tým vôbec nezmení.

Na odpojenie protitukových filtrov potiahnite za pružinový háčik.



Údržba uhlíkového filtra

Udržiava nepríjemné zápachy pochádzajúce z varenia.

Nasýtenosť uhoľného filtra sa odhaľuje iba po viac-menej predĺženom použití, na základe typu kuchyne a pravidelnosti čistenia filtra tukov. V každom prípade je nevyhnutné vymeniť zásobník maximálne každé štyri mesiace (alebo keď upevňovací systém nasýtenosti filtrov – ak je s ním príslušný model vybavený – upozorňuje túto nevyhnutnosť).

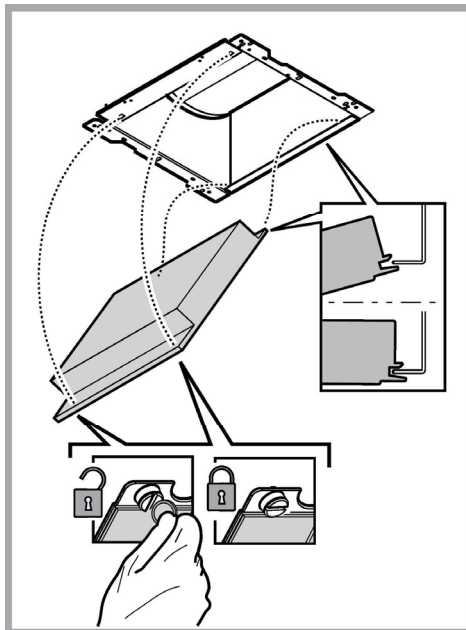
NEMÔŽE byť umývaný alebo regenerovaný.

Montáž:

Zavesiť uhoľno-aktívny filter najprv zozadu na kovový háčik odsávača pary, potom zpredu s dvoma rúčkami.

Odmontovanie:

Vybrať uhoľno-aktívny filter otočením ručiek, ktoré ho upevňujú o odsávač pary o 90°.



Výmena žiaroviek

Odsávač pary je vybavený systémom osvetlenia založenom na technológii LED.


Kontrolky LED zaručujú optimálne osvetlenie, trvanie až 10 krát dlhšie ako tradičné žiarovky a umožňujú ušetriť 90% elektrickej energie.

Pre výmenu lúčok kontaktujte autorizované servisné stredisko náhradných dielov.

LIKVIDÁCIA

Tento spotrebič je označený v súlade s európskou smernicou 2012/19/EC o likvidácii elektrického a elektronického zariadenia (WEEE). Uistením sa, že tento výrobok bol po svojej životnosti odstránený správnym spôsobom, užívateľ prispieva k predchádzaniu možným negatívnym následkom pre životné prostredie a zdravie.



Symbol  výrobku alebo na jeho sprievodnej dokumentácii, upozorňuje, že s týmto výrobkom sa nesmie zaobchádzať ako s domácim odpadom, ale musí byť odovzdaný do príslušného miesta zberu pre recykláciu elektrických a elektronických prístrojov. Zbaviť sa ho riadením sa podľa miestnych zákonov o odstránení odpadkov. Kvôli dokonalejším informáciám o zaobchádzaní, znovuzískaní a recyklácii tohto výrobku, kontaktujte príslušné miestne úrady, služby pre zber domáceho odpadu alebo predajňu, v ktorej výrobok bol zakúpený.

Prístroj bol navrhnutý, testovaný a vyrobený v súlade s:

- Bezpečnosť: EN/IEC 60335-1; EN/IEC 60335-2-31, EN/IEC 62233.
- Výkonnosť: EN/IEC 61591; ISO 5167-1; ISO 5167-3; ISO 5168; EN/IEC 60704-1; EN/IEC 60704-2-13; EN/IEC 60704-3; ISO 3741; EN 50564; IEC 62301.
- EMC: EN 55014-1; CISPR 14-1; EN 55014-2; CISPR 14-2; EN/IEC 61000-3-2; EN/IEC 61000-3-3.

(CISPR - Osobitný medzinárodný výbor pre rádiové rušenie, pozn. prekl.)

Odporúčania pre správne použitie s cieľom znížiť dopad na životné prostredie: Zapnite digestor na minimálnu rýchlosť, keď začnete s varením a nechajte ho bežať niekoľko minút po ukončení varenia. Zvýšte rýchlosť len v prípade veľkého množstva dymu a pary a použite podpornú rýchlosť (rýchlosti) len v extrémnych situáciách. Vymeňte uhlíkový filter (filtre), ak je to potrebné na udržiavanie dobrej účinnosti zníženia zápachu. Vyčistite tukový filter (filtre), ak je to potrebné na udržiavanie jeho účinnosti. Použite maximálny priemer potrubného systému, ako je uvedené v tomto návode, na optimalizáciu účinnosti a minimalizáciu hluku.





PREVÁDKOVÉ PORUCHY

Ak sa zdá, že niečo nefunguje, skôr než sa zavolá servis, vykonať nasledujúce jednoduché kontroly.

- Ak odsávač pary nefunguje:
Skontrolovať, že:
 - nedošlo k výpadku elektrického prúdu.
 - bola zvolená jedna rýchlosť.
- ak odsávač pary má slabý výkon:
Skontrolovať, že:
 - zvolená rýchlosť motora je dostačujúca pre množstvo uvoľnených dymov a pár.
 - Kuchyňa je dostatočne vzdušná pre možnosť príjem vzduchu.
 - uhlíkový filter nie je spotrebovaný (odsávač pary vo filtračnej verzii).
- ak odsávač pary sa vypol počas normálnej prevádzky:
Skontrolovať, že:
 - nedošlo k výpadku elektrického prúdu.
 - vyplo sa zariadenie poisťky.

V prípade eventuálnych porúch v prevádzke, skôr ako sa obrátite na zákaznícky servis, odpojiť zariadenie na 5 sekúnd od elektrického napojenia, vytiahnutím zástrčky a znovu ho pripojiť. V prípade, že porucha prevádzky pretrváva, obrátiť sa na zákaznícky servis.

TECHNICKÉ ÚDAJE

Výška (cm)	Šírka (cm)	Hĺbka (cm)	Ø odsávacej rúry (cm)
 61,9-114,7  70,6-114,7	89,8	45	15
 61,9-114,7  70,6-114,7	59,8	45	15

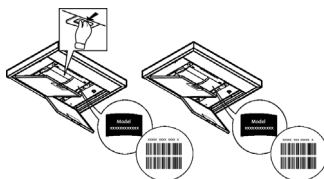


Komponenty, ktoré nie sú dodané s výrobkom



**Bezpečnostné pokyny, Návod na používanie,
Technické a energetické údaje spotrebiča
si môžete stiahnuť:**

- Na našej webovej stránke docs.whirlpool.eu
- Pomocou QR kódu
- Prípadne **sa obráťte na náš popredajný servis** (Telefónne číslo nájdete v záručnej knižke). Pri kontaktovaní nášho popredajného servisu uveďte, prosím, kódy z výrobného štítku vášho spotrebiča.



ALLMÄN SÄKERHET

- Gör alltid fläkten strömlös innan någon typ av underhållsarbete eller rengöring inleds genom att dra ur kontakten eller slå av bostadens huvudströmbrytare.
- Använd alltid skyddshandskar vid installation och underhållsgrepp.
- Apparaten får inte användas av barn från 8 års ålder eller personer med reducerad rörelseförmåga eller mental kapacitet, eller personer som saknar erfarenhet och kännedom om apparaten, såtillvida inte användandet övervakas eller instruktioner ges av erfaren person som ansvarar för säkerheten.
- Barn får inte lämnas utan uppsikt för att förhindra att de leker med apparaten.
- Rengörings- och underhållsgrepp får inte utföras av barn utan uppsikt.
- Lokalen skall vara ordentligt ventilerad när köksfläkten används tillsammans med andra apparater vilka drivs med gas och andra typer av bränsle.
- Fläktkåpan ska rengöras regelbundet både invändigt och utvändigt (MINST EN GÅNG I MÅNADEN), anvisningarna i instruktionerna för skötsel måste emellertid följas.
- Om reglerna för rengöring av fläktkåpan samt utbyte och rengöring av filtren inte observeras kan detta medföra brandrisk.
- Det är strängt förbjudet att flambära mat under fläkten.
- Använd endast den typ av lampor som anges i denna handbok i kapitlet Underhåll/Byte av lampa när lampan skall bytas ut.

Öppna lågor skadar filtren och kan orsaka brand och skall därför undvikas i alla lägen.

Frityrkokning skall ske under uppsikt för att undvika att överhettad olja fattar eld.

WARNING: När spishällen är i funktion kan tillgängliga delar av fläkten hettas upp.

- Anslut inte apparaten till elnätet innan installationen är helt slutförd.
- Vad beträffar de tekniska föreskrifter och säkerhetsåtgärder som skall vidtas för avledning av utblåsningssluffen, skall de föreskrifter som utfärdats av lokala myndigheter noga efterlevas.
- Utblåsningssluffen får inte ledas in i rökkanal som används för avledning av rökångor som kommer från apparater vilka matas med gas eller andra typer av bränsle.
- Använd eller lämna aldrig fläkten utan korrekt imonterade lampor för att undvika risken för elektriska stötar.
- Fläkten får aldrig användas utan att gallret är korrekt monterat!
- Fläkten får ALDRIG användas som avställningsyta om inte detta är uttryckligen angivet.
- Använd endast de medlevererade fixeringskruvarna eller införskaffa skruvar av korrekt typ.
- Använd skruvar med rätt längd enligt föreskrifterna i Installationsguiden. I händelse av tvivel, kontakta Servicekontoret eller behörig personal.

▲ WARNING!

- I det fall skruvar och fixeringsanordningar inte installeras enligt dessa instruktioner kan elektriska risker uppstå.
- Använd inte med en separat programmeringsenhet, timer, fjärrkontroll eller någon annan anordning, som aktiveras automatiskt.

Håll barn under 3 år borta från apparaten. Apparaten måste förvaras utom räckhåll för barn under 8 år, som inte är under konstant uppsikt av en vuxen.

▲ WARNING: apparaten är inte avsedd att sättas i drift med hjälp av en extern enhet eller ett separat fjärrstyrningssystem.

▲ Denna apparat är inte avsedd för professionell användning. Använd inte apparaten utomhus.

▲ För att undvika risk för kroppsskador måste förflyttning och installation av apparaten utföras av två eller flera personer.

▲ Installationen, inklusive eventuell anslutning till vattenförsörjning (om sådan föreskrivs), samt elektriska anslutningar och reparationsåtgärder, måste utföras av kvalificerad personal.

När installationen har slutförts förvaras förpackningsmaterialet (plastdelar, frigolit etc.) utom räckhåll för barn för att undvika kvävningsrisk.

Använd inte apparaten om du är blöt eller barfota.
Använd aldrig apparaten för ångrengöring – risk för elstöt.



Förpackningsmaterialet är 100 % återvinningsbart och är märkt med symbolen för återvinning

Fläktens utseende kan skilja sig från illustrationen i ritningarna i denna handbok men alla anvisningar för användning, underhåll och installation förblir desamma.

Följ noga instruktionerna i denna manual. Tillverkaren fransäger sig allt ansvar för eventuella funktionsfel, skador eller bränder som uppstår på apparaten på grund av att instruktionerna i denna manual inte har respekterats. Fläkten har tillverkats för utsugning av matos och ånga som bildas vid matlagning och är endast ämnad för privat bruk.

- Det är viktigt att spara denna manual så att den när som helst är tillgänglig för framtida konsultationer. I händelse av försäljning, överlåtelse eller flytt skall manualen alltid följa med produkten.
- Läs instruktionerna noga: dessa tillhandahåller viktig information beträffande installation, användning och säkerhet.
- Utför inga elektriska eller mekaniska ändringar på produkten eller avledningskanalerna.
- Kontrollera innan apparaten installeras att inga komponenter är skadade. Kontakta i sådant fall återförsäljaren innan installationen utförs.

Minsta tillåtna avstånd mellan kokkärlens stödyta på spishällen och köksfläktens underkant är 50cm om det är frågan om en elektrisk spis och 65cm om det är frågan om gasspis eller kombinerad gashäll.

Om spishällens instruktioner anger ett större avstånd skall detta respekteras.

ELANSLUTNING

Nätspänningen skall motsvara spänningen som anges på märkplåten som sitter inne i fläkten. Om fläkten är utrustad med stickkontakt skall denna anslutas till ett uttag som är lättillgängligt även efter installationen och som uppfyller gällande föreskrifter. I det fall fläkten saknar stickkontakt (*direktanslutning till nätet*), eller om uttaget är placerat på en svåråtkomlig plats skall en godkänd tvåpolig strömbrytare installeras som garanterar en fullkomlig fränkoppling från nätet i samband med överspänningsklass III, i enlighet med installationsbestämmelserna.

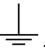
▲ VARNING!

Kontrollera innan fläktens krets ansluts med nätspänningen att den fungerar korrekt och är korrekt monterad.
Om kabeln inte är försedd med stickpropp ska kablarna anslutas enligt följande tabell:

Nätspänning och frekvens

Hänvisa till det värde som anges på etiketten på insidan av fläkten.

Trådanslutning

 : gul/grön
N : blå
L : brun

Utbyte av matarkabel

Fläkten är försedd med en speciell elkabel, kontakta därför vårt tekniska servicekontor om kabeln skadats.

LUFTUTSLÄPP

(för utsugsversioner)

Rören och utloppsöppningarna i väggen med vilka fläkten skall anslutas bör ha samma diameter som luftutsläppet (anslutningsflänsen). I det fall man använder rör och utloppsöppningar i väggen med mindre diameter medför detta en lägre utblåsprestanda och en drastisk förhöjning av bullemnivån.

Vi avsåger oss därför allt ansvar gällande denna typ av problem.

- ! Använd ett så kort rör som möjligt.
- ! Röret skall vara så rakt som möjligt (högsta tillåtna vinkel på böjarna 90°).
- ! Undvik stora skillnader i rörets tvärsnittsarea.
- ! Företaget fransäger sig allt ansvar om dessa förordningar inte respekteras.

MED FILTER ELLER UTSUG?

! Er fläktfläkt är klar att användas i utsugsversionen.

För att använda fläkten med filterversionen ska det tillhörande TILLBEHÖRSKITSET installeras.

Kontrollera på de första sidorna i denna manual om TILLBEHÖRSKITSET levererats eller om det inköps separat.

Observera: Om det levereras med maskinen, kanske det extra filtersystemet i vissa fall redan är installerat på fläkten. Informationen för omvandling av fläkten från utsugsversion till filterversion finns i denna manual.

Utsugsversion

Matoset leds ut ur lokalen med hjälp av ett avledningsrör som är fixerat på anslutningsflänsen.

VARNING!

Avledningsröret medlevereras inte och skall införskaffas separat. Avledningsröret skall ha samma diameter som anslutningsflänsen.

VARNING!

I det fall fläkten är försedd med kolfilter skall dessa tas ur.

Filterversion

Den utsugna luften avfettas och befrias från odörer innan den leds ut i lokalen igen. När fläkten används med denna version är det nödvändigt att installera ett extra aktivt kolfiltersystem.

KOMMANDON

Fläkten är utrustad med en manöverpanel med en hastighetskontroll och en strömbrytare för spishällens belysning.



T1



T2



T3

P

T4

ZEN

T5



T6



Fläktmotor / PÅ/AV 1:a hastighet



Fläktmotor / PÅ/AV 2:a hastighet



Fläktmotor / PÅ/AV 3:e hastighet

P

POWER BOOST™ PÅ/AV-funktion (tidskontrollerad)

Notera: fläkten går tillbaka till den 3:e hastigheten efter fem minuter.

ZEN

Läget "ZEN Mode" PÅ/AV-funktion

Notera: Funktionen aktiverar ett frånluftsläge med perfekt balans mellan ljudnivå och fläkteffektivitet.

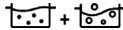


Huvudbelysning PÅ/AV

FETT-/KOLFILTERALARM/ÅTERSTÄLLNING

Med jämna mellanrum indikerar fläkten att filterunderhåll krävs.

Notera: Indikatorerna kommer endast att fungera i 40 sek. efter att du stängt AV fläktmotorhastigheten.



+  blinkar: utför underhåll på fettfiltret.



+ **P** blinkar: utför underhåll på kolfiltret.

Notera: kolfilteralarmet är vanligtvis inaktiverat, för att aktivera: Stäng AV fläkten och tryck sedan på  + **P** i mer än 3 sekunder, båda signaler lyser upp i ungefär 3 sekunder för att indikera att kolfilteralarmet är aktiverat.

Upprepa proceduren för att inaktivera (båda signalerna blinkar i ungefär 3 sekunder).

Återställning av indikatorer för mättat filter

Tryck och håll in i nästan 3 sekunder medan de blinkar.

UNDERHÅLL

Rengöring

Använd endast en trasa fuktad med neutrala rengöringsmedel vid rengöring. **Använd inte några verktyg eller instrument för rengöringen!**

Undvik produkter som innehåller slipmedel. **ANVÄND INTE ALKOHOL!**

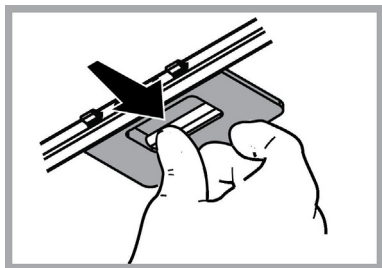
Skötsel av avfettningsfilter

Detta suger upp fettpartiklar som bildas i samband med matlagningen.

Filtret skall rengöras en gång i månaden (eller när indikatorn för filtrets mätning – om sådan finns på er modell – anger att detta är nödvändigt), med ett mildt rengöringsmedel, för hand eller i diskmaskin, med låg temperatur och kort program.

Vi tvätt i diskmaskin kan fettfiltret av metall missfärgas utan att detta på något sätt påverkar filtrets uppsugningsförmåga.

När filtret skall monteras ur drar man i handtaget som lossas med hjälp av en fjäder.



Skötsel av kolfilter

Kolfiltret fångar upp obehagliga odörer som uppstår i samband med matlagningen.

Kolfiltret mättas efter en mer eller mindre lång tidsperiod beroende på i vilken utsträckning fläkten används, på typen av matlagning och hur regelbundet fettfiltren rengörs. Det är under alla händelser nödvändigt att ersätta kolfilterpatronen minst var 4 månad (eller när indikatorn för filtrets mätning – om sådan finns på er modell - anger att detta är nödvändigt).

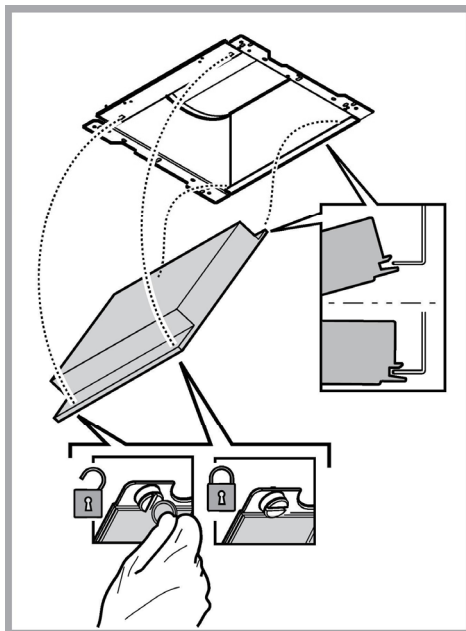
Filtret kan INTE rengöras eller återanvändas.

Montering

Haka först fast det aktiva kolfiltret baktill på fläktens metallflik och därefter framtill med de båda rattarna.

Nedmontering

Ta ur det aktiva kolfiltret genom att vrida de båda rattarna med vilka det är fixerat i fläkten 90°.



Utbyte av lampor

Fläkten är utrustad med ett belysningsssystem som bygger på lysdiodsteknologi.

Lysdioderna garanterar optimal belysning, upptill 10 gånger längre livslängd jämfört med konventionella lampor och möjliggör en energibesparing på 90%.


Kontakta den auktoriserade reservdelsåterförsäljaren vid byte av lampor.

BORTSKAFFNING

Denna produkt är märkt enligt EG-direktiv 2012/19/EC beträffande elektriskt och elektroniskt avfall (Waste Electrical and Electronic Equipment, WEEE).

Genom att säkerställa en korrekt kassering av denna produkt bidrar du till att förhindra potentiella, negativa konsekvenser för vår miljö och vår hälsa, som annars kan bli följden om produkten inte hanteras på rätt sätt.



Symbolen  på produkten, eller i medföljande dokumentation, indikerar att denna produkt inte får behandlas som vanligt hushållsavfall. Den skall i stället lämnas in på en lämplig uppsamlingsplats för återvinning av elektrisk och elektronisk utrustning. Produkten måste kasseras enligt lokala miljöbestämmelser för avfallshantering.

För mer information om hantering, återvinning och återanvändning av denna produkt, var god kontakta de lokala myndigheterna, ortens sophanteringstjänst eller butiken där produkten inhandlades.

Apparat utformad, testad och tillverkad i enlighet med:

- Säkerhet: EN/IEC 60335-1; EN/IEC 60335-2-31, EN/IEC 62233.
- Prestanda: EN/IEC 61591; ISO 5167-1; ISO 5167-3; ISO 5168; EN/IEC 60704-1; EN/IEC 60704-2-13; EN/IEC 60704-3; ISO 3741; EN 50564; IEC 62301.
- EMC: EN 55014-1; CISPR 14-1; EN 55014-2; CISPR 14-2; EN/IEC 61000-3-2; EN/IEC 61000-3-3. Råd för en korrekt användning för att minska miljöpåverkan: Sätt PÅ fläkten på minsta farten när du börjar att laga mat och låt den vara på i några minuter efter att du är färdig. Öka farten bara om det skulle uppstå mycket rök och ånga och använd ökad fart bara i extrema fall. Byt ut kolfiltret(en) vid behov för att bevara en god lukt och effektivitet. Rengör fettfiltret vid behov för att bevara fettfiltrets effektivitet. Använd den maximala diametern på ventilationssystemet som indikeras i denna manualen för att förbättra effektiviteten och minimera oljudet.





FUNKTIONSFEL

Om något inte verkar fungera, utför först följande enkla kontrollera innan servicekontoret kontaktas:

- Om fläkten inte fungerar:
Kontrollera att:
 - inget strömavbrott förekommer.
 - en hastighet valts.
- Om fläktens prestanda är dålig:
Kontrollera att:
 - Den valda motorhastigheten är tillräcklig för mängden rök och avgas som släpps ut.
 - Köket är tillräckligt ventilerat för ett luftuttag.
 - Kolfiltret inte är förbrukat (fläkt i filterversion).
- Om fläkten släckts under normal funktion:
Kontrollera att:
 - inget strömavbrott förekommer.
 - den omnipolära öppningsanordningen inte utlösts.

Vid eventuella funktionsfel, koppla först ifrån apparaten ur elnätet i cirka 5 sekunder genom att dra ur kontakten och sedan ansluta apparaten igen, innan servicekontoret kontaktas. Om ett funktionsfel kvarstår, kontakta servicekontoret.

TEKNISKA SPECIFIKATIONER

Höjd (cm)	Bredd (cm)	Djup (cm)	Ø på frånlufts rör (cm)
 61,9-114,7  70,6-114,7	89,8	45	15
 61,9-114,7  70,6-114,7	59,8	45	15

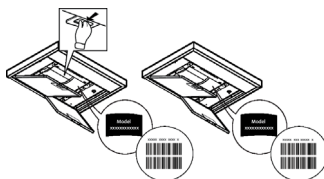


Komponenter som inte medföljer produkten



Du kan ladda ner Säkerhetsinstruktioner, Bruksanvisning, Produktblad och Energidata genom att:

- Besöka vår webbsida docs.whirlpool.eu
- Använda QR-koden
- Eller kontakta vår kundservice (Se telefonnumret i garantihäftet). När du kontaktar vår kundservice, ange koderna som står på produktens typskylt.



Загальні ПРАВИЛА З ТЕХНІКИ БЕЗПЕКИ

Перед початком будь якої операції по очищенню або обслуговуванню, відключіть витяжку від електричної сітки витягуючи вилку з розетки або відключаючи загальний вимикач приміщення.

- Для усіх операцій по установці та обслуговуванню використовуйте робочі рукавиці.
- Пристрій може використовуватися дітьми не молодшими 8 років та особами із зниженими фізичними, сенсорними або розумовими здібностями, або з недостатнім досвідом якщо знаходяться під контролем, або були навчені використовувати пристрій в безпечній спосіб та якщо розуміють пов'язані з тим небезпеки.
- Діти повинні бути під контролем і не повинні гратися з пристроєм.
- Операції по чищенню та обслуговуванню не повинні проводитися дітьми без нагляду.

• Приміщення повинно мати достатню вентиляцію коли витяжка використовується одночасно з іншими пристроями що працюють на газі або інших паливах.

• Витяжку необхідно часто чистити як в середині, так і ззовні (ХОЧА Б ОДИН РАЗ НА МІСЯЦЬ), дотримуватися в будь якому випадку того, що вказується в інструкціях по обслуговуванню.

• Не дотримання норм очищення та заміни і очищення фільтрів збільшує ймовірність ризику загоряння.

• Суворо заборонено приготування їжі на відкритому вогні під витяжкою.

• Для заміни лампочки освітлення використовувати тільки тип лампочки вказаний в розділі обслуговування/заміна лампочки цього посібника.

Використання відкритого полум'я наносить збиток фільтрам і може призвести до загорання, тому потрібно уникати в будь якому випадку.

Смаження повинно проводитися під наглядом щоб уникнути загоряння розлитої олії.

УВАГА: Коли варильна поверхня працює, доступні частини можуть нагріватися.

• Не підключати пристрій до електричної сітки до тих пір, поки не буде повністю закінчена установка.

• Що стосується технічних мір та мір безпеки у використанні що відноситься до викидів парів, суворо дотримуйтеся норм місцевих компетентних органів.

• Повітря що втягується, не повинно випускатися в трубу яка використовується для викиду димів пристроями що працюють на газі та інших паливах.

• Не використовувати або залишати витяжку без правильно встановлених лампочок з ризиком отримати удар електричним струмом.

• Ніколи не використовувати витяжку без правильно встановленої решітки!

• Витяжка НІКОЛИ не повинна використовуватися як опорна поверхня, якщо тільки не вказується.

• Використовувати гвинти для фіксування в наборі з продуктом для установки, якщо немає в наборі, придбати гвинти правильного типу.

• Використовувати правильну довжину гвинтів яка вказується в посібнику по встановленню.

• У випадку сумнівів, консулюватися в авторизованому центрі або з кваліфікованим персоналом.

▲ УВАГА!

• Не встановлювання відповідних гвинтів і пристроїв для фіксування у відповідності з цими інструкціями може привести до ризиків електричного походження.

• Не слід використовувати з програматором, таймером, окремим пультом керування або з будь-яким іншим пристроєм,

який приводиться в дію автоматично.

Тримати прилад подалі від дітей до 3 років. Зберігайте прилад у недоступному місці для дітей до 8 років, що не перебувають під постійним наглядом дорослих.

- ⚠ УВАГА:** прилад не призначений для роботи із зовнішнім пристроєм або окремою системою дистанційного керування.
 - ⚠** Цей прилад не призначений для професійного використання. Не використовуйте пристрій на відкритому повітрі.
 - ⚠** Щоб уникнути ризику травмування, прилад повинен переміщатися та встановлюватися двома або більше людьми.
 - ⚠** Установка, включаючи також будь-які підключення водопостачання (якщо є) та електричні з'єднання, а також ремонтні роботи повинні виконуватися кваліфікованим персоналом.
- Після завершення установки відкладіть пакувальний матеріал (пластмасові деталі, полістирол тощо) поза досяжністю дітей, щоб уникнути ризику удушення. .
- Не використовуйте прилад, якщо у вас вологі руки або босоніж.
- Ніколи не використовуйте парові прилади для чищення - ризик ураження електричним струмом.



Пакувальний матеріал на 100% піддається переробці і позначений символом переробки

Кухонна витяжка може мати дизайн, що відрізняється від витяжки зображеної на малюнках цієї інструкції але в будь-якому випадку інструкції з монтажу, технічного обслуговування та експлуатації залишаються без змін.

Чітко дотримуйтеся приведених в даному керівництві інструкцій. Виробник знімає з себе будь-яку відповідальність за несправності, збитки або пожежу, що може мати місце при використанні пристрою внаслідок невиконання інструкцій, приведених в даному керівництві. Витяжний ковпак спроектований для всмоктування диму та пару, що утворюється під час приготування їжі та призначений лише для побутового використання..

- Важливо зберегти ці інструкції для того, щоб можна було звернутися до них в будь-який час. У випадку продажу, передачі чи переїзду, переконатися в тому щоб інструкції були разом з виробом.
- Уважно прочитати інструкції: В них міститься важлива інформація з встановлення, використання та безпеки.
- Заборонено виконувати електричні чи механічні зміни у виробі чи у вивідних каналах.
- Перш ніж приступити до монтажу виробу перевірте чи всі компоненти без дефектів та не є пошкодженими. У протилежному випадку зверніться в місце продажу та зупиніть монтування виробу.

Відстань нижньої від частини витяжки до посуду на кухонній плиті має бути не менше 50cm, у випадку електричних плит, та 65 cm, у випадку газових та комбінованих плит.

Необхідно приймати до уваги відстані, які вказуються в інструкції з інсталяції газової плити.

ЕЛЕКТРИЧНЕ ПІД'ЄДНАННЯ

Напряга в електромережі має відповідати вказаним характеристикам на етикетці, яка знаходиться всередині витяжки. Якщо в комплект входить вилка під'єднання в електромережу, то слід під'єднати витяжку до розетки, що відповідає існуючим нормам та знаходиться в доступному місці, що можна виконати й після інсталяції. Якщо ж вилка не входить в комплект (пряме під'єднання в електромережу), або розетка не знаходиться в доступному місці, також і після інсталяції, то слід вмонтувати належний двох-полюсний вимикач, який забезпечить повне відключення від мережі в умовах перенапруги III категорії, в повній відповідності з правилами інсталяції.

⚠ УВАГА!

перед тим як знову підключити витяжку до електромережі і перевірити правильність роботи, завжди контролюйте щоб шнур мережі був змонтований вірно.

Якщо кабель не оснащений вилкою, підключіть дроти згідно з наступною таблицею:

Напряга і частота мережі

Дивіться значення, вказане на таблиці з даними всередині витяжки.

Підключення дротів



: жовтий/зелений

N : синій

L : коричневий

Заміна електрокабеля

Витяжний ковпак має спеціальний провід живлення; у випадку пошкодження проводу, замовте його у службі технічного обслуговування.

ВИВІД ПОВІТРЯ

(для виконання з відводом) Під'єднати ковпак до настінної вивідної труби та вивідного отвору з однаковим діаметром виходу повітря (з'єднуючий фланець).

Використання настінних вивідних труб з отворів з меншим діаметром приведе до зменшення ефективності всмоктування та значне збільшення рівня шуму.

Тому ми знімаємо з себе будь-яку відповідальність по вищесказаному.

! Використовуйте найкоротший витяжний канал.

! Використовуйте витяжний канал з найменшою кількістю поворотів (максимальний кут повороту: 90°).

! Уникайте різких змін площі перерізу витяжного каналу.

! Підприємство знімає з себе будь-яку відповідальність, якщо дійсні

3 РЕЦИРКУЛЯЦІЮ ЧИ З ВІДВОДОМ

! Ваша витяжка готова до використання в режимі відводу.

Для того щоб використовувати витяжку в режимі рециркуляції необхідно встановити ДОДАТКОВИЙ КОМПЛЕКТ.

Перевірте на перших сторінках даного посібника, чи входить ДОДАТКОВИЙ КОМПЛЕКТ у поставку або його необхідно придбати окремо.

Примітка: Якщо входить в поставку обладнання, в деяких випадках, додатковий комплект вугільних фільтрів може вже бути встановлений на витяжці.

Інформація щодо переведення витяжки з режиму відведення в режим рециркуляції вже входить у даний посібник.

Виконання з відводом

Пари виводяться назовні через вивідну трубу закріплену до фланця з'єднання.

УВАГА!

Вивідна труба не постачається і тому необхідно її придбати окремо.

Діаметр вивідної труби повинен відповідати діаметру з'єднувального кільця.

УВАГА!

Якщо витяжний ковпак має вугільні фільтри, то їх треба зняти.

Виконання з рециркуляцією

Втягнуте повітря знежирюється та очищується та знову повертається в приміщення. Для того, щоб використовувати ковпак у цьому режимі, необхідно встановити додаткову систему фільтрів з активованим вугіллям.

КОМАНДИ

Витяжка обладнана панеллю команд з контролем швидкості витягування та контролем світла для освітлення варильної поверхні.



T1



T2



T3

P

T4

ZEN

T5



T6



Двигун вентилятора / Перша швидкість, УВІМКН./ВИМКН.



Двигун вентилятора / Друга швидкість, УВІМКН./ВИМКН.



Двигун вентилятора / Третя швидкість, УВІМКН./ВИМКН.

P

«POWER BOOST» (Підвищення швидкості) УВІМКН./ВИМКН. Функція (контрольована за часом)

Примітка: Витяжка перемикається на третю швидкість роботи через 5 хвилин.

ZEN

Робочий режим «ZEN Mode» УВІМКН./ ВИМКН. Функція

Примітка: Ця функція дозволяє активувати швидкість витяжки з ідеальним балансом між безшумною та ефективною роботою.





Основне освітлення, УВІМКН./ВИМКН.

ЖИРОВИЙ ФІЛЬТР/ПОПЕРЕДЖЕННЯ ВУГІЛЬНОГО ФІЛЬТРА/ СКИДАННЯ НАЛАШТУВАНЬ


Через певні інтервали часу витяжка сигналізуватиме про необхідність виконувати технічне обслуговування фільтра.

Примітка: Індикатори працюватимуть протягом 40 секунд після вимкнення двигуна вентилятора.

 +  блимання: проведіть технічне обслуговування жирового фільтра.

 + **P** блимання: проведіть технічне обслуговування вугільного фільтра.

Примітка: попередження вугільного фільтра за замовчуванням вимкнено, щоб увімкнути: вимкніть витяжку, а потім натисніть і

утримуйте  + **P** більше 3 секунд, обидва сигнали засвіяться приблизно на 3 секунди, це означатиме, що індикація вугільного фільтра увімкнена. Для відключення, повторіть операції (обидва сигнали засвіяться приблизно на 3 секунди).

Скидання індикації насиченості фільтра

Натисніть та утримуйте близько 3 секунд поки миготітиме індикатор.

ТЕХНІЧНЕ ОБСЛУГОВУВАННЯ

Чищення

Для чистки використовуйте **ЛИШЕ** спеціальну серветку, намочену нейтральним рідким миючим засобом. **НЕ ВИКОРИСТОВУЙТЕ ЗАСОБІВ АБО ІНСТРУМЕНТІВ ДЛЯ ОЧИЩЕННЯ!**

Не використовуйте засоби що мають абразивні матеріали. **НЕ ВИКОРИСТОВУЙТЕ СПИРТ!**

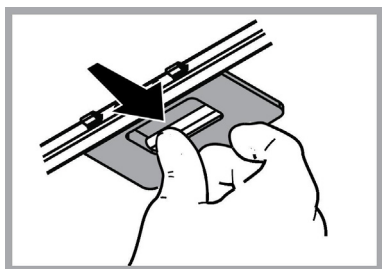
Обслуговування жирових фільтрів

Затримує жиrowі сполучення, що виникають під час приготування їжі.

Повинен чиститися один раз в місяць (або коли система індикації переповнення фільтрів, якщо є у вашій моделі, вказує на дану необхідність), з використанням неагресивних миючих засобів вручну або в посудомийчій машині при низькій температурі і короткому циклі.

При митті в посудомийчій машині може мати місце деяке знебарвлення фільтра, проте його фільтруючі характеристики залишаються незмінними.

Для зняття фільтра затримки потягніть на себе пружинну ручку відчеплення фільтра.



Обслуговування вугільного фільтра

Вбирає неприємні запахи кухні.

Насиченість вугільного фільтра перевіряється після більш або менш довгого використання в залежності від типу плити та регулярності чищення жиропоглинаючого фільтра. У будь-якому випадку необхідно замінити картридж принаймні через кожні чотири місяці (або коли система індикації насиченості фільтрів – якщо така передбачена у вашій моделі - вказує на таку необхідність)

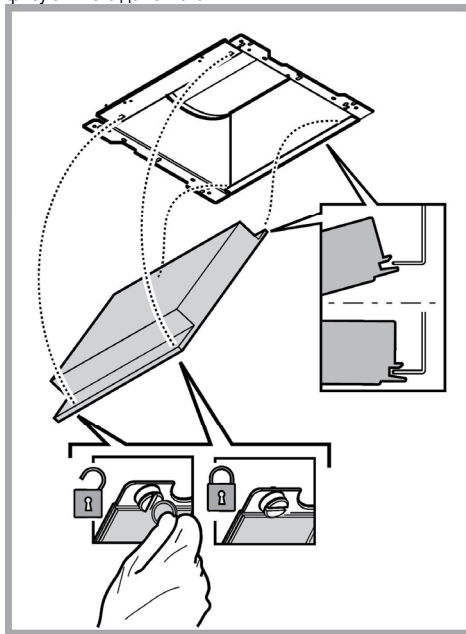
НЕ підлягає миттю чи поновленню.

Встановлення

Підвісити вугільний фільтр спочатку задньою стороною на металевий язичок ковпака, потім передню частину закріпити двома ручками.

Зняття

Зняти вугільний фільтр повертаючи ручки на 90° що фіксують його до ковпака.



Заміна лампочок

Витяжка обладнана системою освітлення на основі технології діодів (LED).


ДІОДИ забезпечують оптимальне освітлення, тривалість їх в 10 раз вища від звичайних лампочок та дають 90% економії електроенергії.

Для заміни ламп контактувати авторизований сервісний центр запасних частин.

УТИЛІЗАЦІЯ

Даний виріб промаркований відповідно до Європейської директиви 2012/19/EC, утилізація електричного і електронного обладнання (WEEE). Забезпечуючи вірну утилізацію цього виробу, Ви допоможете попередити потенційні негативні наслідки для оточуючого середовища і здоров'я людини, котрі могли б мати місце в протилежному випадку.



Символ  на самому виробі або на супроводжуючому його документі вказує, що при утилізації цього виробу з ним не можна поводитися як зі звичайними побутовими відходами. Він має здаватися у відповідний пункт прийому електричного і електронного обладнання для подальшої утилізації. Здавання на злам повинно виконуватися згідно з місцевими правилами по утилізації відходів. Для більше детальної інформації про правила поводження з такими виробами, їх утилізації і переробки звертайтеся в місцеві органи влади, в службу по утилізації відходів, або в магазин, в якому Ви придбали даний виріб.

Прилад спроектовано, випробувано і виготовлено згідно з:

- Безпека: EN/IEC 60335-1; EN/IEC 60335-2-31, EN/IEC 62233.
- Експлуатаційні якості: EN/IEC 61591; ISO 5167-1; ISO 5167-3; ISO 5168; EN/IEC 60704-1; EN/IEC 60704-2-13; EN/IEC 60704-3; ISO 3741; EN 50564; IEC 62301.
- EMC: EN 55014-1; CISPR 14-1; EN 55014-2; CISPR 14-2; EN/IEC 61000-3-2; EN/IEC 61000-3-3. Поради для правильної експлуатації та для зниження впливу на середовище: Вмикайте витяжку на мінімальну швидкість перед початком приготування їжі, і залишайте її працювати на декілька хвилин після закінчення приготування. Збільшуйте швидкість тільки у разі великої кількості диму і пару та використовуйте наддув тільки у крайніх випадках. Для підтримання високої ефективності видалення запахів, за необхідності, виконуйте заміну вугільного(-их) фільтру(-ів). Для підтримання високої ефективності фільтру жирів, за необхідності, виконуйте чистку фільтру(-ів) жирів. Використовуйте максимальний діаметр системи повітроводів, що вказаний у інструкції для оптимізації ефективності та мінімізації шуму.



ЗБОЇ У ФУНКЦІОНУВАННІ

Якщо щось не працює належним чином, перед тим як звернутися в Службу по технічному обслуговуванню, виконайте наступні прості перевірки:

- Якщо витяжка не працює:
перевірити:
 - Чи не було перервано подачу струму.
 - Чи було обрано будь-яку швидкість.
- Якщо витяжка погано працює:
перевірити:
 - чи обрана швидкість двигуна достатня для виробленої кількості диму і пари.
 - Чи кухня достатньо провітрена для того, щоб витяжка могла виконати забір повітря.
 - Чи вугільний фільтр не відпрацьований (витяжка в режимі з рециркуляцією повітря).
- Якщо витяжка вимкнулася в ході нормальної роботи:
перевірити:
 - Чи не було перервано подачу струму.
 - Чи не спрацював однополюсний вимикач апарату.

У разі можливих збоїв у роботі, перед тим як звернутися до служби технічного обслуговування відключити від електроживлення апарат мінімум на 5 секунд, виймаючи вилку і потім знову під'єднати його. Якщо аномалія в роботі продовжує існувати звернутися в службу техобслуговування.

ТЕХНІЧНІ ДАНІ

Висота (см)	Ширина (см)	Глибина (см)	Ø випускної труби (см)
 61,9-114,7  70,6-114,7	89,8	45	15
 61,9-114,7  70,6-114,7	59,8	45	15

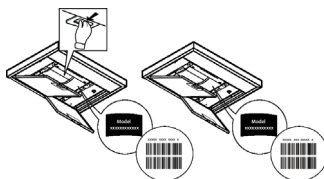


Комплектуючі, не входять у комплект деталей до виробу



Щоб завантажити інструкції з техніки безпеки, посібник користувача, технічний паспорт та енергетичні показники:

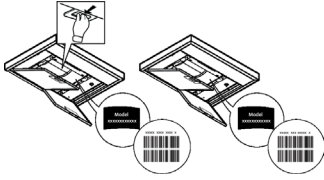
- Зайдіть на веб-сайт docs.whirlpool.eu
- Використовуйте QR-код
- Або, зверніться до Сервісної служби (за номером телефону, вказаним у гарантійному талоні). При зверненні до служби післяпродажного обслуговування вкажіть коди, що містяться на заводській табличці виробу.





الارتفاع (سم)	العرض (سم)	العمق (سم)	أنتيوب الصرف (سم)
114,7-61,9 114,7-70,6	89.8	45	15
114,7-61,9 114,7-70,6	59.8	45	15

مكونات غير مزودة مع الجهاز



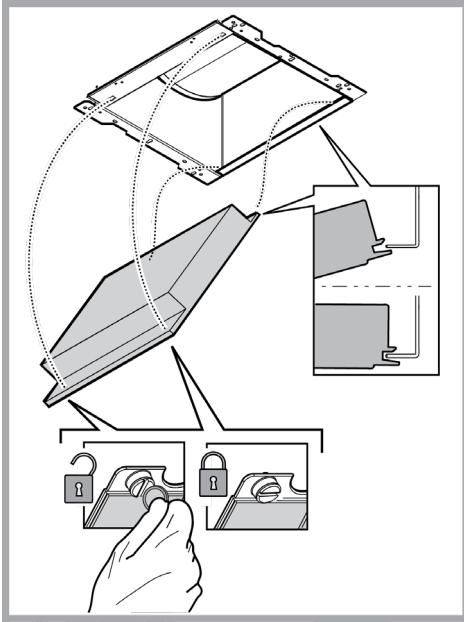
من أجل تنزيل تعليمات السلامة ودليل مداخلتسلا والوثيقة الفنية وبيانات الطاقة:

- زوروا موقعنا الإلكتروني docs.whirlpool.eu
- استخدم رمز الكشف السريع QR
- أو، اتصل بخدمة الدعم الفني (على رقم الهاتف الوارد على كتيب الضمان). عند الاتصال بمركز الدعم الفني، قم بتزويدكم بالأكواد الموجودة على لوحة الرقم المسلسل للمنتج.



الصيانة

التنظيف



للقيام بعملية التنظيف استخدم فقط وحصرًا قطعة قماش مبللة بمنظفات سائلة محايدة. لا تستخدم أية أدوات أو معدات للقيام بالتنظيف!

تجنب استخدام المنتجات المحتوية على مواد كاشطة. لا تستخدم الكحول!

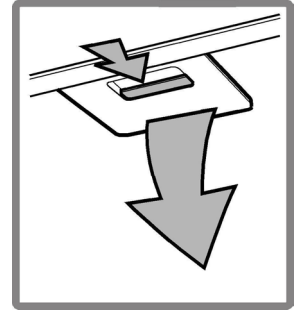
صيانة مرشحات إزالة للدهون

يجز الروائح الكريهة الناتجة عن عملية الطهي.

يجب تنظيفه مرة واحدة كل شهر (أو عندما يُشير نظام التنبيه الخاص بتشبع المرشحات - إذا ما نُصنَّ على ذلك في الموديل المملوك - فإنه يشير إلى ضرورة القيام بتنظيفها)، باستخدام منظفات غير عدوانية، سواء بشكل يدوي أو في غسالة الأطباق بدرجات حرارة منخفضة وبدورة تنظيف قصيرة.

عند الغسيل في غسالة الأطباق فإن مرشح إزالة الدهون المعدني يمكن أن يفقد لونه ولكن خصائصه ومواصفاته المتعلقة بعملية الترشيح لا تتغير مطلقًا.

لإزالة مُرشح الدهون قم بشد مقبض الفك ذي النابض.



استبدال المصابيح

تم تزويد الشفاط بنظام إضاءة يقوم على تكنولوجيا الـ LED. مصابيح الإضاءة LED تضمن توفير إضاءة ممتازة ومثالية، وتستمر حتى 10 مرات أطول من المصابيح العادية التقليدية وتسمح بتوفير حتى 90% من الطاقة الكهربائية المستخدمة للمصابيح التقليدية.

لاستبدال المصابيح، اتصل بالمركز المعتمد لقطع الغيار.

صيانة مرشح الكربون

يجز الروائح الكريهة الناتجة عن عملية الطهي.

يحدث تشبع مُرشح الكربون بعد فترة استخدام طويلة وفقا لنوعية المطبخ وطبيعة وعدد مرات تنظيف وغسل مرشحات حجب وإزالة الدهون. يجب في جميع الأحوال استبدال الخرطوشة كل أربعة أشهر كحد أقصى (أو عندما يشير نظام التنبيه عن تشبع المرشحات - إذا كان موجودا في الموديل الذي بحوزتكم- إلى ضرورة الاستبدال).

لا يجوز غسله أو إعادة استخدامه

التركيب

قم بتثبيت مرشح الكربون النشط في البداية من الناحية الخلفية على لسان التركيب المعدني في الشفاط، ثم بعد ذلك من الناحية الأمامية باستخدام المقبضين.

الفك والإزالة

انزع مرشح الكربون النشط بلف المقبضين اللذان يثبتان المرشح بالشفاط بنسبة 90 درجة.

تم تزويد الشفاط بلوحة أوامر ومفاتيح تشغيل من خلالها يتم التحكم في سرعات الشفط وإضاءة مصابيح إنارة موقد الطهي المسطح.



T1



T2



T3

P

T4

ZEN

T5



T6

T1. محرك المروحة / تشغيل/إطفاء السرعة الأولى

T2. محرك المروحة / تشغيل/إطفاء السرعة الثانية

T3. محرك المروحة / تشغيل/إطفاء السرعة الثالثة

T4. إشعال/إطفاء خاصية «POWER BOOST» (المحددة الوقت)

ملاحظة: سيعود الشفاط بعد 5 دقائق إلى السرعة الثالثة.

T5. تشغيل/إطفاء خاصية «ZEN Mode»

ملاحظة: تسمح هذه الخاصية بتفعيل سرعة الشفط التي تجمع بأفضل طريقة بين صمت التشغيل وكفاءة الشفط.

T6. إشعال/إطفاء الضوء الرئيسي

الإنذار التشغيلي/إعادة ضبط مرشح إزالة الدهون أو مرشح الكربون

ينبه الشفاط على فترات منتظمة بضرورة القيام بصيانة المرشحات.

ملاحظة: تبقى المؤشرات مفعلة فقط لمدة 40 ثانية بعد إيقاف عمل محرك المروحة.

T1 + T2 تومض: قم بإجراء صيانة لمرشح إزالة الدهون.

T3 + T4 تومض: قم بإجراء صيانة لمرشح الكربون.

ملاحظة: يتم بشكل اعتيادي إيقاف الإنذار التشغيلي الخاص بمرشح الكربون. لتشغيله: أطفئ الشفاط، ثم اضغط T3+T4 على الأقل لمدة

3 ثوانٍ؛ سيومض المؤشران لمدة 3 ثوانٍ للإشارة إلى تفعيل الإنذار التشغيلي الخاص بمرشح الكربون. كرر هذه العملية لإيقاف الإنذار

التشغيلي (سيومض المؤشران لمدة 3 ثوانٍ تقريبًا).

إعادة ضبط مؤشرات تشبع المرشحات

اضغط لمدة 3 ثوانٍ على المؤشرات أثناء وميضها.

(لموديلات الشفط)

قم بتوصيل الشفط بأنابيب وفتحات التفريغ الحائطية والتي قُطرها يجب أن يكون مساوي لمخرج الهواء (حافة الوصلة). استخدام أنابيب أو فتحات تفريغ حائطية بقطر أقل يمكن أن يتسبب في تقليل مستوى الأداء التشغيلي لعملية الشفط ويؤدي إلى زيادة كبيرة وملحوظة في مستوى الضوضاء.

لا تتحمل الشركة المصنعة أية مسؤولية كانت في هذا الشأن.

! استخدم أنبوب بأقل طول ضروري.

! استخدم أنبوب به أقل عدد ممكن من أنواع التوصيل (الحد الأقصى لانحناء الأكواع هو 90 درجة).

! تجنب التغييرات العنيفة لقطر الأنابيب.

! لا تتحمل الشركة أية مسؤولية في حالة عدم الالتزام بهذه التوجيهات.

موديل الترشيح أو موديل الشفط؟

! الشفط الخاص بكم جاهز لكي يستخدم بإصدار الشفط.

من أجل استخدام الشفط بإصدار الترشيح فإنه يجب تركيب طقم الملحقات المخصص لذلك.

تأكدوا في الصفحات الأولى من هذا الدليل إذا كان طقم الملحقات وارد بالفعل أو أنه يجب شراؤه منفصلاً.

ملاحظة: إن تم توريده، في بعض الحالات، فإن نظام الترشيح الإضافي المكون من الكربون النشط قد يكون مركباً بالفعل على الشفط.

المعلومات الخاصة بتحويل الشفط من إصدار الشفط إلى إصدار الترشيح يتضمنها بالفعل هذا الدليل.

موديل الشفط

يتم طرد الأبخرة إلى الخارج عن طريق أنبوب التفريغ المثبت على حافة الوصلة.

⚠ انتبه!

أنبوب التفريغ لا يأتي مع الجهاز ويجب شراؤه.

قُطر أنبوب التفريغ يجب أن يكون مساوي لقطر حلقة التوصيل.

⚠ انتبه!

إذا كان الشفط مزود بمرشح / مرشحات كربون، يجب إزالة هذا المرشح / المرشحات.

موديل الترشيح

يتم تخليص الهواء المشفوط من الدهون ثم إزالة الروائح الكريهة منه قبل إعادة ضخه في الغرفة. قبل استخدام الشفط بموديل الترشيح يجب تركيب نظام ترشيح إضافي يعمل بالكربون النشط.

- ⚠️ انتبه: الجهاز غير مخصص للتشغيل بواسطة جهاز خارجي أو جهاز تحكم منفصل عن بعد.
- ⚠️ هذا الجهاز غير مخصص للاستخدام المهني. لا تستخدم الجهاز في مكان مفتوح.
- ⚠️ من أجل تجنب خطر الإصابات الشخصية، يجب تحريك الجهاز وتركيبه بواسطة شخصين أو أكثر.
- ⚠️ يجب إجراء التركيب من قِبل طاقم عمل مؤهل، بما في ذلك أيضاً أية توصيلات للتغذية بالماء (إن وجدت) والتوصيلات الكهربائية، وعمليات الإصلاح.
- عند اكتمال التركيب، احتفظ بمواد التغليف (الأجزاء البلاستيكية، البوليسترين، الخ) بعيداً عن متناول الأطفال لتجنب خطر الاختناق .

لا تستخدم الجهاز عندما تكون مبتلاً أو حافي القدمين.
لا تستخدم أبداً أجهزة التنظيف بالبخار – يوجد خطر التعرض لصدمة كهربائية.



مواد التغليف قابلة لإعادة التدوير بنسبة 100% وتحمل رمز إعادة التدوير

يمكن للشفاط من الناحية الشكلية الجمالية أن يختلف عن تصميمات الشفاطات الواردة في هذا الدليل، ولكن بالرغم من ذلك فإن تعليماتماداختسلا والصيانة والتركيب تظل نفسها.

يرجى اتباع التعليمات والإرشادات الواردة في هذا الدليل والالتزام التام بها. لا تتحمل الشركة المصنعة أية مسؤولية أياً كانت عن أية مشاكل أو أضرار أو حرائق تلحق بالجهاز نتيجة لعدم مراعاة التعليمات الواردة في هذا الدليل. تم تصميم هذا الشفاط لشفاط الأبخرة والأبخرة الناتجة عن عمليات الطهي وهو مخصص فقط للاستخدام المنزلي.

- من المهم حفظ جميع الكتيبات المرفقة للمنتج للتأكد من الإطلاع عليها مستقبلاً عند الحاجة إلى ذلك. في حالة البيع أو التنازل أو النقل، تأكد من أن الكتيبات تبقى مع المنتج.
- اقرأ بعناية التعليمات: توجد معلومات هامة بشأن التركيب والاستخدام والأمان.
- لا تُنفذ تعديلات كهربائية أو ميكانيكية على المنتج أو على أنابيب الصرف.
- قفحتنمتملاسد فمشلاطلامنكاو وكمتاندلبق عورشلا في قمتيلمع ببيكرنلا. خلاف ذلك يجب الإتصال بوكيل التوزيع ويجب إيقاف عملية التركيب.

المسافة الصغرى بين سطح دعامة الأواني على الموقد والجزء السفلي من شفاط الموقد يجب ألا تقل عن 50 سم في حالة الموقد الكهربائي و 65 سم في حالة الموقد التي تعمل بالغاز أو المختلطة.

إذا ما كانت التعليمات الخاصة بتركيب جهاز الطهي الذي يعمل بالغاز تحدد مسافة فاصلة أكبر، فإنه يجب أخذ ذلك في الاعتبار.

التوصيل الكهربائي


يجب أن يتوافق تردد وفلطية التيار الموجود في شبكة التيار الكهربائي المنزلية مع تردد وفلطية التيار المحدد لتشغيل الشفاط والمذكور على لوحة البيانات التعريفية والمواصفات الموجودة داخل الشفاط. في حالة وجود قابس تيار قم بتوصيل الشفاط بأخذ تيار مطابق للقواعد والقوانين المعمول بها في هذا الشأن والذي يجب تواجده في منطقة قريبة سهلة الوصول إليها أيضاً بعد إتمام عملية التركيب. في حالة عدم وجود قابس التيار (للتوصيل المباشر بشبكة التيار) أو في حالة أن قابس التيار موجود في مكان بعيد يصعب الوصول إليه، حتى بعد إتمام عملية التركيب، قم بوضع مفتاح قطع وتوصيل تيار ثنائي الأقطاب مطابق للمواصفات التي تضمن الفصل الكامل للتيار الكهربائي في حالات الحملات الكهربائية الزائدة من الفئة III، بالشكل الذي ينطبق مع قواعد وشروط التركيب.

⚠️ انتبه!

قبل إعادة توصيل دائرة الشفاط بشبكة التيار الكهربائي وقبل التأكد من عمله بالشكل الصحيح، يجب دائماً التأكد أولاً من أن كابل شبكة التيار قد تم تركيبه بالشكل الصحيح.

إن لم يكن الكابل مزوداً بقابس، قم بتوصيل الأسلاك وفقاً للجدول التالي:

توصيل الأسلاك



يرجى الرجوع إلى القيمة المشار إليها في ملصق المواصفات داخل الشفاط.

N : أزرق
L : بني

جدد وتردد الشبكة

استبدال كابل التيار الكهربائي

الشفاط مزود بكابل تغذية خاص؛ في حالة تلف الكابل، اطلبه من خدمة الدعم الفني.

صرف الهواء

- قبل أية عملية نظافة أو صيانة، افصل الشفط عن الشبكة الكهربائية عن طريق نزع القابس أو فصل المفتاح العام للمنزل.
- من أجل إجراء كافة عمليات التركيب والصيانة استخدم قفازات عمل.
- يمكن استخدام هذا الجهاز من قبل الأطفال الأكبر من سن 8 سنوات والأشخاص الذين يعانون من قصور في قدراتهم البدنية أو الحسية أو العقلية، أو الذين لديهم نقص في الخبرة اللازمة أو المعرفة الضرورية لاستخدام هذا الجهاز شريطة أن يكونوا تحت ملاحظة وإشراف شخص بالغ أو بعد تعريفهم بالإرشادات والتعليمات اللازمة للاستخدام الصحيح لهذا الجهاز وبعد توعيتهم بالأخطار ذات الصلة.
- يجب مراقبة الأطفال حتى لا يلعبوا بالجهاز.
- لا يجب أن تُنفذ النظافة والصيانة من قبل أطفال دون مراقبة.
- يجب توفير تهوية كافية في مكان التركيب خاصة عند استخدام شفاط المطبخ في نفس وقت عمل أجهزة أخرى تعمل بالغاز أو بأي محروقات أخرى.
- يجب أن يُنظف الشفط بصفة متكررة سواء من الداخل أو من الخارج (على الأقل مرة شهرياً)، التزم في جميع الأحوال بما تشير إليه صراحةً تعليمات الصيانة. عدم مراعاة قواعد تنظيف الشفاط وعمليات استبدال وتنظيف المرشحات يسبب أضرار الحرائق.
- ممنوع منعاً باتاً طهي الطعام باللهب تحت الشفاط.
- لاستبدال المصابيح استخدم مصابيح من النوعية المحددة والمذكورة في قسم صيانة استبدال المصابيح في هذا الدليل.
- استخدام اللهب الحُر ضارٌّ للغاية بالمرشحات ويمكن أن يسبب الحرائق، لذلك يجب تجنُّب القيام بذلك في جميع الأحوال.
- يجب أن يتم القلي تحت مراقبة من أجل تجنب أن يشتعل الزيت الساخن.
- انتبه: عند استخدام موقد الطهي يمكن أن تُصبح الأجزاء القريبة من الشفاط ساخنة.
- لا توصّل الجهاز بشبكة التيار الكهربائي إلا بعد الانتهاء تماماً من عملية التركيب.
- فيما يخص الإجراءات الفنية وتلك الخاصة بالأمن والسلامة والتي يجب اتخاذها لشطف وطرّد الأدخنة، يجب الرجوع دائماً إلى ما تنص عليه لوائح وقوانين السلطات المحلية المعنية بهذا الشأن والالتزام بها.
- لا يجب توجيه وطرّد الهواء المسحوب من الشفاط في الأبواب المستخدمة لتفريغ وطرّد الأدخنة الناتجة عن أجهزة الاحتراق التي تعمل بالغاز أو بأي محروقات أخرى.
- لا تستخدم أو تترك الشفاط دون مصابيح مركبة بشكل صحيح لتجنب خطر الصعق الكهربائي المحتمل.
- لا تقم أبداً باستخدام الشفاط دون شبكة مركبة بشكل جيد!
- لا يجب استخدام الشفاط أبداً كسطح إسناد إلا أن يُشار إلى ذلك صراحةً.
- لا تستخدم إلا مسامير التثبيت المرفقة مع المنتج من أجل التركيب، أو إن لم تكن مرفقة، اشتر نوع المسامير الصحيح.
- استخدم البراغي ذات الأطوال الصحيحة والتي تم تحديدها في دليل عملية التركيب.
- في حالة الشك، استشر مركز الدعم الفني المعتمد أو العمالة المؤهلة المماثلة.

⚠️ انتبه!

- عدم تركيب براغي وأجهزة التثبيت بالشكل المحدد في الإرشادات الواردة في هذا الدليل يمكن أن يعرضك لأخطار كهربائية.
 - لا تستخدم الجهاز مع أداة برمجة أو مؤقت أو جهاز تحكم عن بعد منفصل أو أي جهاز يتم تنشيطه تلقائياً.
- أبغ الأطفال الذين تقل أعمارهم عن 3 سنوات بعيدين عن الجهاز. أبغ الجهاز بعيداً عن الأطفال الذين تقل أعمارهم عن 8 سنوات، في حالة عدم وجود مراقبة مستمرة من أحد البالغين.

