

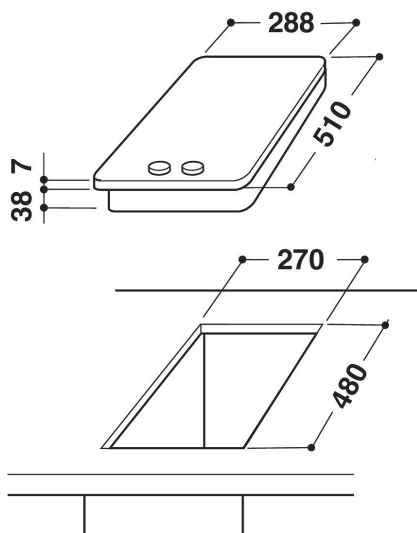
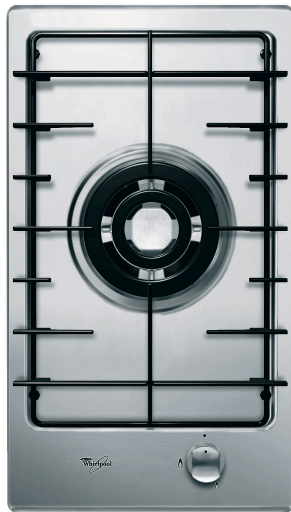
AKT 305/IX

12NC: 859430510000

GTIN (EAN) code: 8003437811753

Whirlpool

SENSING THE DIFFERENCE



Whirlpool gas hob: 1 gas burner - AKT 305/IX

This Whirlpool gas Hob features: wok cooking adapter, specifically tailored for wok use.



Power Burner 4000W

4kW burner. Enjoy tastier results, faster. Seal your meat to perfection, boil water faster or enjoy a perfect stir-fry dishes with the outstanding Power Burner 4000W.



Wok Cooking

This hob comes with a wok burner and is perfect for stir fries and all fast cooking requirements.



Stainless Steel

For the stylish modern look in your kitchen.



Front Controls

Complete control over your cooking. Easily accessible and genuinely intuitive, the controls are conveniently positioned on the front panel of your hob, providing a frictionless cooking experience.

- Enamel Pan Supports
- Electromagnetic safety device for each burner
- Wok grid adapter
- Silver painted body/Inox cap knobs
- 1 Rectangular Strip iron grid
- Front controls
- 30 cm hob
- Mechanical control
- Ignition type: knob
- 1 Burner
- 1 Four crown 3700 W burner
- Supply cord included
- Dimensions HxWxD: 45x288x510 mm
- Niche dimensions HxWxD: 38x270x490 mm
- Voltage: 230 V
- Gas Connection Rating: 3700 W
- Gas Type: G20

AKT 305/IX

12NC: 859430510000

GTIN (EAN) code: 8003437811753

Whirlpool

SENSING THE DIFFERENCE

MAIN FEATURES

Product group	Hob
Construction type	Built-in
Type of control	Mechanical
Type of control settings	-
Number of gas burners	1
Number of electric cooking zones	0
Number of electric plates	0
Number of radiant plates	0
Number of halogen plates	0
Number of induction plates	0
Number of electric warming zones	0
Location of control panel	Front
Basic surface material	Inox
Main colour of product	Inox
Electrical connection rating (W)	0
Gas connection rating (W)	3700
Gas type	G20
Current (A)	-
Voltage (V)	230
Frequency (Hz)	50
Length of Electrical Supply Cord (cm)	-
Plug type	No
Gas connection	Cilindric
Width of the product	288
Height of the product	45
Depth of the product	510
Minimum niche height	38
Minimum niche width	270
Niche depth	490
Net weight (kg)	5.5
Automatic programmes	No

TECHNICAL FEATURES

Power on indicator	-
Number of indicators	-
Type of regulation	Temperature regulated
Type of lid	-
Residual heat indicator	Without
Main on/off switch	No
Safety device	-
Timer	No

PERFORMANCES

Energy input	Gas
--------------	-----