

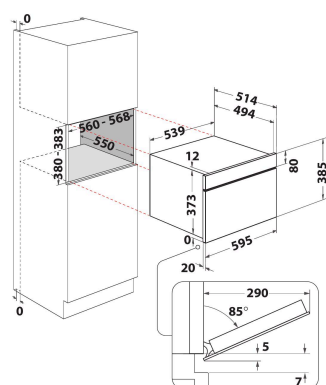
AMW 730/IX

12NC: 858773001900

GTIN (EAN) code: 8003437394768

Whirlpool

SENSING THE DIFFERENCE



MAIN FEATURES

Product group	Mikrovalna pečnica
Commercial code	AMW 730/IX
Main colour of product	Stainless steel
Type of micro-wave oven	MW+Grill function
Construction type	Ugradbeni
Type of control	Electronic
Type of control settings	LCD
Additional cooking method Grill	Yes
Funkcija Crisp	Yes
Steam	Ne
Additional cooking method Fan cooking	Ne
Clock	Yes
Automatic programmes	Yes
Height of the product	385
Width of the product	595
Depth of the product	468
Minimum niche height	380
Minimum niche width	556
Niche depth	550
Net weight (kg)	27
Ljubičasta sa bisernim odsjajem	31
Turntable	Yes
Turntable diameter (mm)	325
Integrated Cleaning system	Ne

TECHNICAL FEATURES

Current (A)	10
Voltage (V)	230
Frequency (Hz)	50
Length of Electrical Supply Cord (cm)	135
Plug type	Schuko
Timer	Ne
Grill power (W)	800
Type of grill	Quartz
Funkcija Crisp	Stainless steel
Interior light	Yes
Additional cooking method Grill	Yes
Position of interior lights of the cavity	Right side

ENERGY LABEL

6th Sense / Dynamic Intelligence	Tehnologija 6.ČULO
Number of power levels	7
Maximum micro-wave power (W)	1000
Funkcija Bread defrost	Ne
Funkcija Jet defrost	Yes
Funkcija Jet Start	Yes