

SAFETY INSTRUCTIONS

IMPORTANT TO BE READ AND OBSERVED

⚠ These instructions are valid if the country symbol appears on the appliance. If the symbol doesn't appear on the appliance, it is necessary to refer to the technical instructions which will provide the necessary instructions concerning modification of the appliance to the conditions of use of the country.

⚠ CAUTION: The use of the gas cooking appliance results in the production of heat, moisture and products of combustion in the room in which it is installed. Ensure that the kitchen is well ventilated especially when the appliance is in use: keep natural ventilation holes open or install a mechanical ventilation device (mechanical extractor hood). Prolonged intensive use of the appliance may call for additional ventilation, such as opening a window, or more effective ventilation, for example increasing the level of mechanical ventilation (if possible).

⚠ Failure to follow the information in this manual exactly may cause a fire or explosion, resulting in property damage or personal injury.

Before using the appliance, read these safety instructions. Keep them nearby for future reference.

These instructions and the appliance itself provide important safety warnings, to be observed at all times. The manufacturer declines any liability for failure to observe these safety instructions, for inappropriate use of the appliance or incorrect setting of controls.

⚠ WARNING: If the hob surface is cracked, don't use the appliance – risk of electrical shock.

⚠ WARNING: Danger of fire: Do not store items on the cooking surfaces.

⚠ CAUTION: The cooking process has to be supervised. A short cooking process has to be supervised continuously.

⚠ WARNING: Unattended cooking on a hob with fat or oil can be dangerous – risk of fire. NEVER try to extinguish a fire with water, but switch off the appliance and then cover flame e.g. with a lid or a fire blanket.

⚠ Do not use the hob as a work surface or support. Keep clothes or other flammable materials away from the appliance, until all the components have cooled down completely – risk of fire.

⚠ Very young children (0-3 years) should be kept away from the appliance. Young children (3-8 years) should be kept away from the appliance unless continuously supervised. Children from 8 years old and above and persons with reduced physical, sensory or mental capabilities or lack of experience and knowledge can use this appliance only if they are supervised or have been given instructions on safe use and understand the hazards involved. Children must not play with the appliance. Cleaning and user maintenance must not be carried out by children without supervision.

⚠ CAUTION: In case of hotplate glass breakage: shut immediately off all burners and any electrical heating element and isolate the appliance from the power

supply; do not touch the appliance surface; do not use the appliance.

The glass lid can break in if it is heated up. Turn off all the burners and the electric plates before closing the lid. Do not shout down lid when burner alight.

⚠ WARNING: The appliance and its accessible parts become hot during use. Care should be taken to avoid touching heating elements. Children less than 8 years of age must be kept away unless continuously supervised.

⚠ The food must not be left in or on the product for more than one hour before or after cooking.

PERMITTED USE

⚠ CAUTION: the appliance is not intended to be operated by means of an external switching device, such as a timer, or separate remote controlled system.

⚠ This appliance is intended to be used in household and similar applications such as: staff kitchen areas in shops, offices and other working environments; farm houses; by clients in hotels, motels, bed & breakfast and other residential environments.

⚠ No other use is permitted (e.g. heating rooms).

⚠ This appliance is not for professional use. Do not use the appliance outdoors.

⚠ Use pots and pans with bottoms the same width as that of the burners or slightly larger (see specific table). Make sure pots on the grates do not protrude beyond the edge of the hob.

⚠ Improper use of the grids can result in damage to the hob: do not position the grids upside down or slide them across the hob.

Do not let the burner flame extend beyond the edge of the pan.

If the hob surface is in glass material, do not use the cast iron griddles, ollar stones, terracotta pots and pans.

Do not use: heat diffusers such as metal mesh, or any other types; two burners simultaneously for one receptacle (e.g. Fish kettle).

Should particular local conditions of the delivered gas make the ignition of burner difficult, it is advisable to repeat the operation with the knob turned to small flame setting.

In case of installation of a hood above the cooktop, please refer to the hood instructions for the correct distance.

The protective rubber feet on the grids represent a choking hazard for young children. After removing the grids, please ensure that all the feet are correctly fitted.

INSTALLATION

⚠ The appliance must be handled and installed by two or more persons - risk of injury. Use protective gloves to unpack and install - risk of cuts.

⚠ The electrical and gas connections must comply with local regulation.

⚠ Installation, including water supply (if any) and electrical connections, and repairs must be carried out by a qualified technician. Do not repair or replace any part of the appliance unless specifically stated in the user manual. Keep children away from the installation site. After unpacking the appliance, make sure that it has not been damaged during transport. In the event of problems, contact the dealer or your nearest After-sales Service. Once installed, packaging waste (plastic, styrofoam parts etc.) must be stored out of reach of children - risk of suffocation. The appliance must be disconnected from

the power supply before any installation operation - risk of electrical shock. During installation, make sure the appliance does not damage the power cable - risk of fire or electrical shock. Only activate the appliance when the installation has been completed.

⚠ **WARNING:** Modification of the appliance and its method of installation are essential in order to use the appliances safely and correctly in all the additional countries.

⚠ Use pressure regulators suitable for the gas pressure indicated in the instruction.

⚠ The room must be equipped with an air extraction system that expels any combustion fumes.

⚠ The room must also allow proper air circulation, as air is needed for combustion to occur normally. The flow of air must not be less than 2 m³/h per kW of installed power.

⚠ The air circulation system may take air directly from the outside by means of a pipe with an inner cross section of at least 100 cm²; the opening must not be vulnerable to any type of blockages.

⚠ The system can also provide the air needed for combustion indirectly, i.e. from adjacent rooms fitted with air circulation tubes as described above. However, these rooms must not be communal rooms, bedrooms or rooms that may present a fire hazard.

⚠ Liquid petroleum gas sinks to the floor as it is heavier than air. Therefore, rooms containing LPG cylinders must also be equipped with vents to allow gas to escape in the event of a leak. As a result LPG cylinders, whether partially or completely full, must not be installed or stored in rooms or storage areas that are below ground level (cellars, etc.). It is advisable to keep only the cylinder being used in the room, positioned so that it is not subject to heat produced by external sources (ovens, fireplaces, stoves, etc.) which could raise the temperature of the cylinder above 50°C.

Should you experience difficulty in turning the burners knobs, please contact After Sales Service for replacement of the burner tap if found to be faulty.

The openings used for the ventilation and dispersion of heat must never be covered.

⚠ Carry out all cabinet cutting works before fitting the appliance in the furniture and remove all wood chips and sawdust.

⚠ If the appliance is not installed above an oven, a separator panel (not included) must be installed in the compartment under the appliance.

GAS CONNECTION

⚠ **WARNING:** Prior to installation, ensure that the local distribution conditions (type of gas and gas pressure) and the adjustment of the appliance are compatible.

⚠ Check that the pressure of the gas supply is consistent with the values indicated in "Burner and nozzle specifications" table.

⚠ **WARNING:** The configuration conditions for this appliance are stated on the label (or data plate).

⚠ **WARNING:** This appliance is not connected to a combustion products evacuation device. It must be installed and connected in accordance with current installation regulations. Particular attention must be paid to the relevant requirements regarding ventilation.

⚠ If the appliances is connected to liquid gas, the regulation screw must be fastened as tightly as possible.

⚠ **IMPORTANT:** When the gas cylinder or gas container is installed, it must be properly settled (vertical orientation).

⚠ **WARNING:** This operation must be performed by a qualified technician.

⚠ Use only flexible or rigid metal hose for gas connection.

⚠ Connection with a rigid pipe (copper or steel) Connection to the gas system must be carried out in such a way as not to place any strain of any kind on the appliance. There is an adjustable L-shaped pipe fitting on the appliance supply ramp and this is fitted with a seal in order to prevent leaks. The seal must always be replaced after rotating the pipe fitting (the seal is provided with the appliance). The gas supply pipe fitting is a threaded 1/2 gas cylindrical male attachment.

⚠ Connecting a flexible jointless stainless steel pipe to a threaded attachment. The gas supply pipe fitting is a threaded 1/2 gas cylindrical male attachment. These pipes must be installed so that they are never longer than 2000 mm when fully extended. Once connection has been carried out, make sure that the flexible metal pipe does not touch any moving parts and is not compressed. Only use pipes and seals that comply with current National regulations.

⚠ **IMPORTANT:** If a stainless steel hose is used, it must be installed so as not to touch any mobile part of the furniture (e.g. drawer). It must pass through an area where there are no obstructions and where it is possible to inspect it on all its length.

⚠ The appliance should be connected to the main gas supply or to gas cylinder in compliance with the current national regulations. Before making the connection, make sure that the appliance is compatible with the gas supply you wish to use. If this is not the case, follow the instructions indicated in the paragraph "Adapting to different types of gas".

⚠ After connection to the gas supply, check for leaks with soapy water. Light up the burners and turn the knobs from maximum position 1* to minimum position 2* to check flame stability.

ADAPTING TO DIFFERENT TYPES OF GAS

(This operation needs to be carried out by a qualified technician).

⚠ In order to adapt the appliance to a type of gas other than the type for which it was manufactured (indicated on the rating label), follow the dedicated steps provided after installation drawings.

ELECTRICAL WARNINGS

⚠ **IMPORTANT:** Information about current and voltage consumption is provided on the rating plate.

⚠ It must be possible to disconnect the appliance from the power supply by unplugging it if plug is accessible, or by a multi-pole switch installed upstream of the socket in accordance with the wiring rules and the appliance must be earthed in conformity with national electrical safety standards.

⚠ The power cable must be long enough to connect the appliance, once fitted in its housing, to the main power supply. Do not pull the power supply cable.

⚠ Do not use extension leads, multiple sockets or adapters. The electrical components must not be accessible to the user after installation. Do not use the appliance when you are wet or barefoot. Do not operate this appliance if it has a damaged power cable or plug, if it is not working properly, or if it has been damaged or dropped.

⚠ If the supply cord is damaged, it must be replaced with an identical one by the manufacturer, its service agent or similarly qualified persons in order to avoid a hazard - risk of electrical shock.


CLEANING AND MAINTENANCE

⚠ **WARNING:** Ensure that the appliance is switched off and disconnected from the power supply before performing any maintenance operation; never use steam cleaning equipment - risk of electric shock.

⚠ Do not use abrasive or corrosive products, chlorine-based cleaners or pan scourers.

⚠ To avoid damaging the electric ignition device, do not use it when the burners are not in their housing.

DISPOSAL OF PACKAGING MATERIALS


The packaging material is 100% recyclable and is marked with the recycle symbol .

The various parts of the packaging must therefore be disposed of responsibly and in full compliance with local authority regulations governing waste disposal.

DISPOSAL OF HOUSEHOLD APPLIANCES

This appliance is manufactured with recyclable or reusable materials. Dispose of it in accordance with local waste disposal regulations. For further information on the treatment, recovery and recycling of household electrical appliances, contact your local authority, the collection service for household waste or the store where you purchased the appliance. This appliance is marked in compliance with European Directive 2012/19/EU, Waste Electrical and Electronic Equipment (WEEE) and with the Waste Electrical and Electronic Equipment regulations 2013 (as amended).

By ensuring this product is disposed of correctly, you will help prevent negative consequences for the environment and human health.

The symbol  on the product or on the accompanying documentation indicates that it should not be treated as domestic waste but must be taken to an appropriate collection center for the recycling of electrical and electronic equipment.

ENERGY SAVING TIPS

Use pots and pans with bottom width equal to that of the cooking zone.

Only use flat-bottomed pots and pans.

When possible, keep pot lids on during cooking.

Use a pressure cooker to save even more energy and time.

DECLARATION OF CONFORMITY

This appliance meets Ecodesign requirements of European Regulation 66/2014 and The Ecodesign for Energy-Related Products and Energy Information (Amendment) (EU Exit) Regulations 2019 in compliance with the European standard EN 30-2-1.

BURNER AND NOZZLE SPECIFICATIONS
CATEGORY I12H3+

Type of gas used	Type of burner	Injector marking	Rated thermal flow rate kW	Rated consumption	Reduced heat capacity kW	Gas pressure mbar		
						min.	rat.	max.
NATURAL GAS (Methane) G20	Rapid (R)	128 B	3,00	286 l/h	0,70	17	20	25
	Semi-rapid (SR)	97	1,75	167 l/h	0,40			
	Auxiliary (AUX)	78 A	1,00	95 l/h	0,40			
	2 ring (DC)	141	4,00	381 l/h	2,20			
LIQUEFIED PETROLEUM GAS (Butane) G30	Rapid (R)	87	3,00	218 g/h	0,70	20	28-30	35
	Semi-rapid (SR)	67	1,75	127 g/h	0,40			
	Auxiliary (AUX)	50	1,00	73 g/h	0,40			
	2 ring (DC)	94	3,70	269 g/h	2,20			
LIQUEFIED PETROLEUM GAS (Propane) G31	Rapid (R)	87	3,00	214 g/h	0,70	25	37	45
	Semi-rapid (SR)	67	1,75	125 g/h	0,40			
	Auxiliary (AUX)	50	1,00	71 g/h	0,40			
	2 ring (DC)	94	3,70	264 g/h	2,20			

Type of gas used	Model configuration 5 BURNERS	Rated thermal flowrate (kW)	Total rated consumption	Air required (m ³) for burning 1m ³ of gas
G20 20 mbar	1R - 2SR - 1AUX - 1DC	11,50	1095 l/h	9,52
G30 28-30 mbar	1R - 2SR - 1AUX - 1DC	11,20	814 g/h	30,94
G31 37 mbar	1R - 2SR - 1AUX - 1DC	11,20	800 g/h	23,80

ELECTRIC SUPPLY: 220-240 V ~ 50-60 Hz - 0,6W
BURNER AND NOZZLE SPECIFICATIONS MT
CATEGORY I12H3B/P

Type of gas used	Type of burner	Injector marking	Rated thermal flow rate kW	Rated consumption	Reduced heat capacity kW	Gas pressure mbar		
						min.	rat.	max.
NATURAL GAS (Methane) G20	Rapid (R)	128 B	3,00	286 l/h	0,70	17	20	25
	Semi-rapid (SR)	97	1,75	167 l/h	0,40			
	Auxiliary (AUX)	78 A	1,00	95 l/h	0,40			
	2 ring (DC)	141	4,00	381 l/h	2,20			
LIQUEFIED PETROLEUM GAS (Butane) G30	Rapid (R)	87	3,00	218 g/h	0,70	20	30	35
	Semi-rapid (SR)	67	1,75	127 g/h	0,40			
	Auxiliary (AUX)	50	1,00	73 g/h	0,40			
	2 ring (DC)	94	3,70	269 g/h	2,20			
LIQUEFIED PETROLEUM GAS (Propane) G31	Rapid (R)	87	3,00	214 g/h	0,70	20	30	35
	Semi-rapid (SR)	67	1,75	125 g/h	0,40			
	Auxiliary (AUX)	50	1,00	71 g/h	0,40			
	2 ring (DC)	94	3,70	264 g/h	2,20			

Type of gas used	Model configuration 5 BURNERS	Rated thermal flowrate (kW)	Total rated consumption	Air required (m ³) for burning 1m ³ of gas
G20 20 mbar	1R - 2SR - 1AUX - 1DC	11,50	1095 l/h	9,52
G30 30 mbar	1R - 2SR - 1AUX - 1DC	11,20	814 g/h	30,94
G31 30 mbar	1R - 2SR - 1AUX - 1DC	11,20	800 g/h	23,80

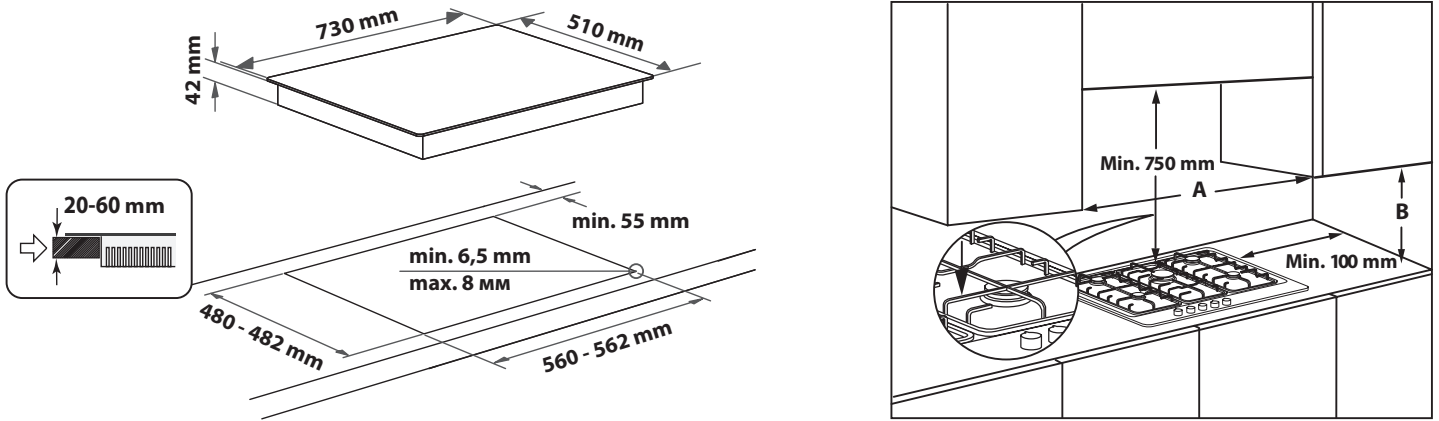
ELECTRIC SUPPLY: 220-240 V ~ 50-60 Hz - 0,6W


INSTALLATION (CLASS 3)

TECHNICAL INFORMATION FOR THE INSTALLER

- Use protective gloves for handling, preparing, and installing the product.
- This product can be embedded in a worktop 20 ÷ 60 mm thick.
- If there is no oven beneath the hob, insert a separator panel with a surface at least equal to the work surface's opening. This panel must be positioned at a maximum distance of 150 mm below the upper surface of the work surface but, in no case less than 20 mm from the bottom of the hob. In case you intend to install an oven beneath the hob, make sure that it is equipped with a cooling system.

DIMENSIONS AND DISTANCES TO BE MAINTAINED



NOTE: If distance "A" between the kitchen cabinets is between 600 mm and 730 mm, height "B" must be at least 530 mm. If distance "A" between the kitchen cabinets is greater than the width of the hob, height "B" must be at least 400 mm. If a hood is installed above the hob, refer to the assembly instructions for the hood to see the necessary distance.

ASSEMBLY

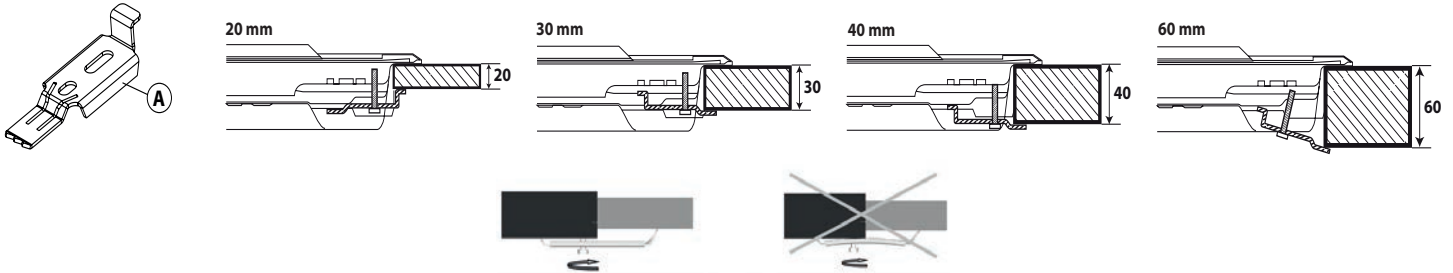
After cleaning the perimeter surface, apply the supplied gasket to the hob as shown in the figure.

Position the hob in the worktop opening made respecting the dimensions indicated in the Instruction.



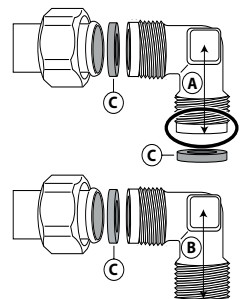
NOTE: the power supply cable must be long enough to permit its upward extraction.

To secure the hob, use the brackets (A) provided with it. Fit the brackets into the relevant bores shown by the arrow and fasten them by means of their screws in accordance with the thickness of the worktop (see the following figures).

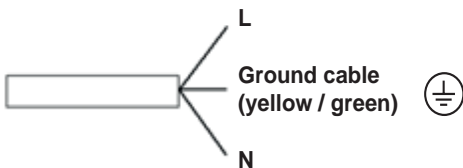


GAS CONNECTION

- Connect elbow (A)* or (B)* supplied with to the hob inlet main pipe and interpose the washer (C) supplied, in compliance with EN 549.
- * Use elbow (A) for France and elbow (B) for all other destinations.
- After connection to the gas supply, check for leaks with soapy water. Light up the burners and turn the knobs from max position to minimum position to check flame stability.



ELECTRICAL CONNECTION





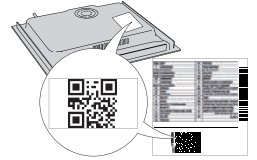
THANK YOU FOR BUYING A WHIRLPOOL PRODUCT

In order to receive a more complete assistance, please register your product on www.whirlpool.eu/register.

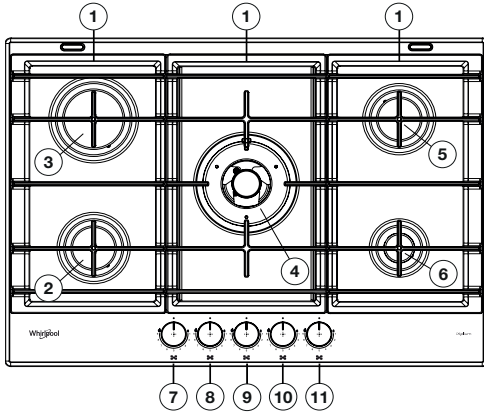


Before using the appliance carefully read the Safety Instruction.

PLEASE SCAN THE QR CODE ON YOUR APPLIANCE IN ORDER TO REACH MORE INFORMATION



PRODUCT DESCRIPTION



1. Removable panstand grids
2. Semi-rapid burner
3. Rapid burner
4. 2 Ring burner
5. Semi-rapid burner
6. Auxiliary burner
7. Semi-rapid burner control knob
8. Rapid burner control knob
9. 2 Ring burner control knob
10. Semi-rapid burner control knob
11. Auxiliary burner control knob

Symbols

- Shaded circle ● Tap closed
- Large flame 🔥 Maximum opening/delivery and electric ignition
- Small flame 🔥 Minimum opening or reduced delivery



DAILY USE

HOW TO USE THE HOB

⚠ Do not let the burner flame extend beyond the edge of the pan.

IMPORTANT: when the hob is in use, the entire hob area may become hot.

- To ignite one of the burners, turn the relative knob anti-clockwise to the maximum flame setting.
- Press the knob against the control panel to ignite the burner.
- After the burner has ignited, keep the knob pressed for about 5-10 seconds to allow proper device operation.
- This burner safety device shuts off the gas supply to the burner if the flame goes out accidentally (because of sudden draught, an interruption in the gas delivery, boiling over liquids, etc.).
- **The knob must not be pressed for more than 15 sec. If, after that time has elapsed, the burner does not remain lit, wait at least one minute before trying to light it again.**

NOTE: should particular local conditions of the delivered gas make the ignition of burner difficult, it is advisable to repeat the operation with the knob turned to the small flame setting.

The burner might go out when the knob is released. This means that the safety device has not warmed up enough. In this case, repeat the operations described above.

If the burner flame is accidentally extinguished, switch off the burner control and do not try to ignite for at least 1 minute.

PRACTICAL ADVICE FOR USING THE BURNERS

This hob has burners of different diameters. For better burner performance, please stick to the following rules:

- use pots and pans with bottoms the same width as that of the burners or slightly larger (see table on the right);
- only use flat-bottomed pots and pans;
- use the correct amount of water for cooking foods and keep the pot covered;
- make sure pots on the grates do not protrude beyond the edge of the hob;
- In the case of pans with convex bottoms (WOK), use the support grille (not provided), which should be positioned only on the multi-ring burner;
- avoid accidentally knocking the hob with pans, racks or other kitchen utensils;
- do not leave empty steak grills over the lit burner for longer than 5 minutes.

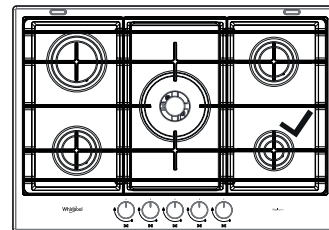
IMPORTANT: improper use of the grids can damage the hob: do not position the grids upside down or slide them across the hob.

BURNER	POT Ø
2 Ring	From 24 to 26 cm
Rapid	From 24 to 26 cm
Semi-rapid	From 16 to 22 cm
Auxiliary	From 8 to 14 cm

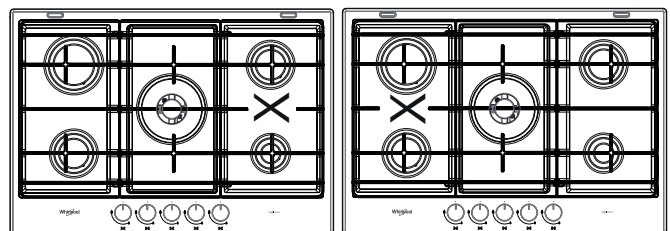
Do not use:

- cast iron griddles, ollar stones, terracotta pots, and pans;
- heat diffusers such as metal mesh, or any other types;
- two burners simultaneously for one receptacle (e.g., fish kettle).

CORRECT POSITIONING OF THE GRIDS



OK



NO

NO

ADAPTING TO DIFFERENT TYPES OF GAS

⚠ This operation must be performed by a qualified technician.

If the appliance is intended to operate with a different gas from the gas type stated on the rating plate and information label on the top of the hob, change the injectors.

Remove the information label and keep it with the instructions booklet.

Use pressure regulators suitable for the gas pressure indicated in the Instruction:

- the gas injector must be changed by After Sales Service or a qualified technician;
- injector not supplied with the appliance must be ordered from After Sales Service;
- adjust the minimum setting of the taps.

NOTE: when liquid petroleum gas is used (G30/G31), the minimum gas setting screw must be tightened as far as it will go.

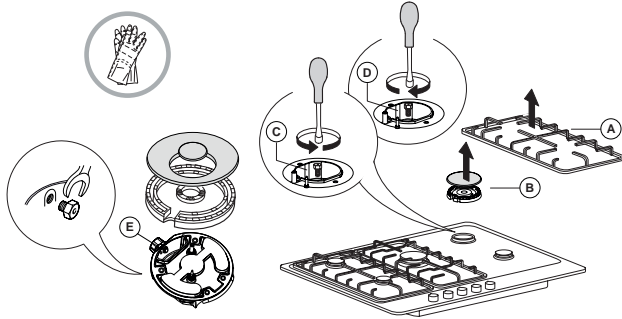
IMPORTANT: should you experience difficulty in turning the burners knobs, please contact the After Sales Service for the replacement of the burner tap if found to be faulty.

IMPORTANT: when gas cylinder is adopted, the gas cylinder or gas container must be properly settled (vertical orientation).

REPLACING THE INJECTORS (see the injector table in the Safety instructions)

⚠ This operation must be performed by a qualified technician.

- Remove grids (A).
- Extract burners (B).
- Using a socket spanner of the appropriate size unscrew the injector (C), to be replaced.
- Replace it with the injector suitable for the new type of gas.
- Re-assemble the injector in (D).
- If you have a multiple crown burner, use a side spanner to replace the injector (E).



Before installing the hob, remember to affix the gas calibration plate supplied with the injectors in such a way that it covers the existing information relating to gas calibration.

ADJUSTING MINIMUM GAS SETTING OF TAPS

⚠ This operation must be performed by a qualified technician.

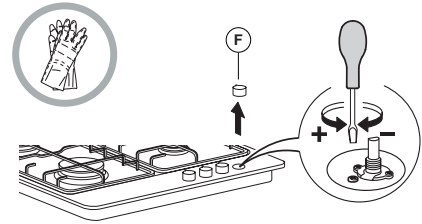
The adjustment must be performed with the tap in a minimum gas setting position (small flame).

The primary air of the burners does not need to be adjusted.

To ensure that the minimum setting is correctly adjusted, remove the knob (F) and proceed as follows:

- tighten the screw to reduce the flame height (-);
- loosen the screw to increase the flame height (+).

At this stage, light up the burners and turn the knobs from max. position to minimum position to check flame stability.



Upon completion of adjustment, reseal using sealing wax or an equivalent material.

COOKING TABLE

LEVEL	COOKING METHOD/TYPE (SUGGESTED FOR)	COOKING TIPS
1-2	KEEPWARM	Ideal for softening butter, gently melting chocolate in bagnemarie, thawing small portions, creaming risotto.
	GENTILE COOK	
3-4	SIMMERING	Ideal for slow-cook recipes (rice, sauces, roast, fish) using liquids (water, wine, broth), and for creaming pasta, maintaining a gentle boiling.
	STEWING	
5-6	ROASTING	Ideal for sauteing, stewing vegetables, cooking for longer period, preheating accessories, cooking until creamy.
	FRYING	
7-8	STIR FRYING	Ideal for browning, starting to cook, bringing liquids to the boil quickly, frying deep-frozen products, grilling meat and fish, maintaining a lively boil.
	GRILLING	
9	FAST HEATING	Ideal for rapidly increasing the temperature of food or for heating up liquids (water).

CLEANING AND MAINTENANCE

⚠ Disconnect the appliance from the power supply.

CLEANING THE HOB SURFACE

- All the enamelled and glass parts should be cleaned with warm water and a neutral solution.
- Stainless steel surfaces may be stained by calcareous water or aggressive detergents if left in contact for too long. Any food spills (water, sauce, coffee, etc.) should be wiped away before they dry.
- Clean with warm water and neutral detergent, and then dry with a soft cloth or chamois. Remove baked-on dirt with specific cleaners for stainless steel surfaces.

NOTE: clean stainless steel only with soft cloth or sponge.

- Do not use abrasive or corrosive products, chlorine-based cleaners or pan scourers.
- Do not use steam cleaning appliances.
- Do not use flammable products.
- Do not leave acid or alkaline substances, such as vinegar, mustard, salt, sugar or lemon juice on the hob.

CLEANING THE HOB PARTS

- Clean glass and enamelled parts only with soft cloth or sponge.
- Grids, burner caps and burners can be removed to be cleaned.

- Clean them by hand with warm water and non-abrasive detergent, removing any food residues and checking that none of the burner openings is clogged.
- Rinse and dry.
- **The cast-iron grates may be cleaned in the dishwasher. Remove any burnt-on food before placing the grates in the lowest rack in the dishwasher.**
- Refit burners and burner caps correctly in the respective housings.

- When replacing the grids, make sure that the panstand area is aligned with the burner.
- Models equipped with electrical ignition plugs and safety device require thorough cleaning of the plug end in order to ensure correct operation. Check these items frequently, and if necessary, clean them with a damp cloth. Any baked-on food should be removed with a toothpick or needle.

NOTE: to avoid damaging the electric ignition device, do not use it when the burners are not in their housing.

TROUBLESHOOTING

If the hob does not operate correctly, before calling the After-Sales Service, refer to the Troubleshooting Guide to determine the problem

1. The burner fails to ignite, or the flame is not even

Check that:

- the gas or electrical supplies are not shut off and especially that the gas supply tap is open;
- the gas cylinder (liquid gas) is not empty;
- the burner openings are not clogged;
- the plug end is not dirty;
- all the burner parts have been positioned correctly;
- there are no draughts near the hob.

2. The burner does not stay lit

Check that:

- when lighting the burner, the knob has been pressed for enough time to activate the protection device;
- the burner openings are not clogged near the thermocouple;
- the end of the safety device is not dirty;
- the minimum gas setting is correct (see relevant paragraph).

3. The containers are not stable

Check that:

- the bottom of the container is perfectly flat;
- the container is centred on the burner;
- the grids have not been exchanged or positioned incorrectly.

If after the above checks the fault still occurs, get in touch with the nearest After Sales Service.

AFTER-SALES SERVICE

In order to receive complete assistance, please register your product on www.whirlpool.eu/register.

BEFORE CALLING THE AFTER-SALES SERVICE:

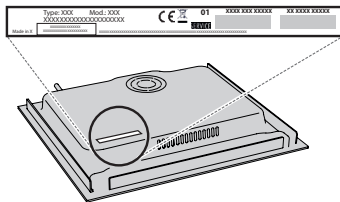
1. See if you can solve the problem by yourself with the help of the **TROUBLESHOOTING** suggestions.
2. Switch the appliance off and back on again to see if the fault persists.

IF AFTER THE ABOVE CHECKS THE FAULT STILL OCCURS, GET IN TOUCH WITH THE NEAREST AFTER-SALES SERVICE.

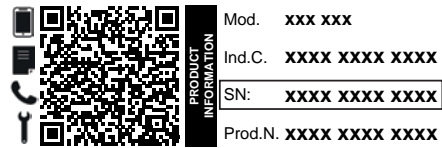
To receive assistance, call the number shown on the warranty booklet or follow the website's instructions on www.whirlpool.eu.

When contacting our Client After-sales service, always specify:

- a brief description of the fault;
- the type and exact model of the appliance;



- the serial number (number after the word SN on the rating plate located under the appliance). The serial number is also indicated in the documentation;



- your full address;
- your telephone number.

If any repairs are required, please contact an authorized after-sales service (to guarantee that original spare parts will be used and repairs carried out correctly).

Policies, standard documentation and additional product information can be found by:

- Using QR code in your appliance;
- Visiting our website docs.whirlpool.eu/docs;
- Alternatively, **contact our After-sales Service** (See phone number in the warranty booklet). When contacting our After-sales Service, please state the codes provided on your product's identification plate.



CONSIGNES DE SÉCURITÉ

IMPORTANT - À LIRE ET À RESPECTER

⚠ Ces directives s'appliquent si le symbole du pays apparaît sur l'appareil. Si le symbole du pays n'apparaît pas sur l'appareil, vous devez vous référer aux consignes techniques qui contiennent les instructions nécessaires concernant la modification de l'appareil afin de se conformer aux conditions d'utilisation du pays.

⚠ **MISE EN GARDE:** L'utilisation d'appareil de cuisson au gaz génère de la chaleur, de l'humidité, et des produits de la combustion dans la pièce dans laquelle il est installé. Assurez-vous que la cuisine est bien aérée, surtout lorsque vous utilisez l'appareil : gardez les trous de ventilations ouverts ou installez un dispositif de ventilation mécanique (hotte de ventilation). Une utilisation intensive et prolongée peut nécessiter une ventilation supplémentaire, comme ouvrir une fenêtre, ou une ventilation plus efficace, par exemple en augmentant le niveau de ventilation mécanique (si possible).

⚠ Le non-respect des informations du présent manuel peut provoquer un incendie ou une explosion, susceptible de provoquer un dommage aux biens ou des lésions personnelles.

Avant d'utiliser l'appareil, lire attentivement les consignes de sécurité. Conservez-les à portée pour consultation ultérieure.

Le présent manuel et l'appareil lui-même contiennent des consignes de sécurité importantes qui doivent être lues et observées en tout temps. Le Fabricant décline toute responsabilité si les consignes de sécurité ne sont pas respectées, en cas de mauvaise utilisation de l'appareil, ou d'un mauvais réglage des commandes.

⚠ **AVERTISSEMENT:** Ne pas utiliser la table de cuisson si la surface est cassée ou fissurée - risque de choc électrique.

⚠ **AVERTISSEMENT:** Risque d'incendie: Ne rangez aucun objet sur les surfaces de cuisson.

⚠ **ATTENTION:** La cuisson doit être supervisée. Une cuisson de courte durée doit être supervisée en tout temps.

⚠ **AVERTISSEMENT:** Une cuisson sans surveillance sur une table de cuisson contenant de la graisse ou de l'huile peut s'avérer dangereuse - risque d'incendie. N'essayez JAMAIS d'éteindre un feu avec de l'eau, mais éteignez l'appareil puis couvrez les flammes à l'aide d'un couvercle par ex. ou d'une couverture ignifuge.

⚠ Utilisez pas la table de cuisson comme surface de travail ou support. Gardez les vêtements et autres matières inflammables loin de l'appareil jusqu'à ce que toutes les composantes soient complètement refroidies - un incendie pourrait se déclarer.

⚠ Les enfants en bas âge (0-3 ans) doivent être tenus à l'écart de l'appareil. Les jeunes enfants (3-8 ans) doivent être tenus à l'écart de l'appareil sauf s'ils se trouvent sous surveillance constante. Les enfants âgés

de 8 ans et plus, ainsi que les personnes présentant des capacités physiques, sensorielles ou mentales réduites, ou ne possédant ni l'expérience ni les connaissances requises, peuvent utiliser cet appareil seulement s'ils sont supervisés, ou si une personne responsable leur a expliqué l'utilisation sécuritaire et les dangers potentiels de l'appareil. Ne laissez pas les enfants jouer avec l'appareil. Les enfants ne doivent pas nettoyer, ni procéder à l'entretien de l'appareil sans surveillance.

⚠ **MISE EN GARDE:** En cas de rupture du verre de la plaque de cuisson: éteignez immédiatement tous les brûleurs et la résistance électrique, et coupez l'alimentation électrique; veillez à ne pas toucher la surface de l'appareil; veillez à ne pas utiliser l'appareil. Le couvercle en verre peut se casser s'il est surchauffé. Coupez tous les brûleurs et les plaques électriques avant de fermer le couvercle. Ne fermez pas le couvercle lorsqu'un brûleur est allumé.

⚠ **AVERTISSEMENT:** L'appareil, ainsi que ses parties accessibles, peuvent atteindre température élevée lors de l'utilisation. Évitez tout contact avec les éléments chauffants. Les enfants de moins de 8 ans doivent être tenus à l'écart de l'appareil, à moins d'être sous surveillance constante.

⚠ Les aliments ne doivent pas être laissés dans ou sur le produit pendant plus d'une heure avant ou après la cuisson.

USAGE AUTORISÉ

⚠ **MISE EN GARDE:** Cet appareil n'est pas conçu pour fonctionner à l'aide d'un dispositif de commutation externe, comme une minuterie ou un système de télécommande.

⚠ Cet appareil est destiné à un usage domestique et peut aussi être utilisé dans les endroits suivants: cuisines pour le personnel dans les magasins, bureaux et autres environnements de travail ; dans les fermes; par les clients dans les hôtels, motels, chambres d'hôtes, et autres résidences similaires.

⚠ Aucune autre utilisation n'est autorisée (p. ex. pour chauffer des pièces).

⚠ Cet appareil n'est pas conçu pour un usage professionnel. N'utilisez pas l'appareil en extérieur.

⚠ Utilisez des ustensiles de cuisson dont le fond dispose d'un diamètre égal ou légèrement supérieur à celui du foyer (voir le tableau suivant). Vérifiez que les ustensiles de cuisson ne dépassent pas de la table de cuisson.

⚠ Une utilisation inappropriée des grilles peut endommager la table de cuisson: ne positionnez pas les grilles sens dessus dessous ou ne les faites pas glisser sur la table de cuisson.

Ne laissez pas la flamme du brûleur dépasser du bord de la casserole.

Si la surface de la plaque de cuisson est en verre, n'utilisez pas les grilles en fonte, des pierres olaires, des casseroles et des poêles en terre cuite.

N'utilisez pas: de diffuseurs de chaleur comme des mailles métalliques ou tout autre type; deux brûleurs simultanément pour un seul récipient (par exemple, une poissonnière).

Si des conditions locales spéciales du gaz distribué rendent l'allumage du brûleur difficile, il est conseillé de répéter l'opération en plaçant le bouton sur la position petite flamme.

Avant d'installer une hotte au-dessus de la table de cuisson, veuillez vous référer au manuel d'utilisation de la hotte qui spécifie les distances adéquates. Les pieds de protection en caoutchouc appliqués sur les grilles sont une source de danger potentiel pour les jeunes enfants. Après avoir enlevé les grilles, assurez-vous que tous les pieds sont correctement installés.

INSTALLATION

⚠ Deux personnes minimum sont nécessaires pour déplacer et installer l'appareil - risque de blessure. Utilisez des gants de protection pour le déballage et l'installation de l'appareil - vous risquez de vous couper.

⚠ Les branchements électriques et le raccordement au gaz doivent être réalisés conformément aux réglementations locales.

⚠ L'installation, incluant l'alimentation en eau (selon le modèle), et les connexions électriques, ainsi que les réparations, doivent être exécutées par un technicien qualifié. Ne procédez à aucune réparation ni à aucun remplacement de pièce sur l'appareil autres que ceux spécifiquement indiqués dans le guide d'utilisation. Gardez les enfants à l'écart du site d'installation. Après avoir déballé l'appareil, assurez-vous qu'il n'a pas été endommagé pendant le transport. En cas de problème, contactez votre revendeur ou le Service Après-Vente le plus proche. Une fois installé, gardez le matériel d'emballage (sacs en plastique, parties en polystyrène, etc.) hors de la portée des enfants - ils pourraient s'étouffer. L'appareil ne doit pas être branché à l'alimentation électrique lors de l'installation - vous pourriez vous électrocuter. Au moment de l'installation, assurez-vous que le câble d'alimentation n'est pas endommagé par l'appareil - vous pourriez vous électrocuter. Allumez l'appareil uniquement lorsque l'installation est terminée.

⚠ **AVERTISSEMENT:** Les modifications sur l'appareil et sur les méthodes d'installation sont essentielles pour utiliser l'appareil de façon sécuritaire et correctement dans tous les autres pays.

⚠ Utiliser des régulateurs de pression adéquats pour la pression de gaz indiquée dans les directives.

⚠ La pièce doit être équipée d'un système d'évacuation d'air qui expulse les fumées de combustion.

⚠ La pièce doit aussi permettre une bonne circulation d'air; l'air est nécessaire pour une combustion normale. La circulation d'air doit être au minimum de 2 m³/h par kW de puissance installée.

⚠ Le système de circulation d'air peut prendre l'air directement de l'extérieur en utilisant un tuyau avec une section transversale intérieure d'au moins 100 cm²; l'ouverture ne doit pas pouvoir se bloquer facilement.

⚠ Le système peut aussi obtenir l'air nécessaire de façon indirecte, p. ex. d'une pièce voisine munie de tuyaux pour la circulation d'air comme décrit plus haut. Cependant, ces pièces ne doivent pas être une salle commune, une chambre à coucher, ou une pièce qui présente un danger d'incendie.

⚠ Comme il est plus pesant que l'air, le gaz de pétrole liquéfié reste au niveau du sol. Donc, les pièces

contenant des cylindres de GPL doivent être équipées de bouches de ventilation qui permettent au gaz de s'échapper en cas de fuite. Donc, les cylindres de GPL, plein ou partiellement rempli, doivent être installés ou entreposés dans des pièces ou entrepôts qui se trouvent sous le niveau du sol (cave, etc.). Nous vous conseillons de garder dans la pièce les cylindres utilisés seulement, placés de façon à ne pas être affecté par la chaleur produite par des sources externes (four, foyer, cuisinière) qui pourrait faire monter la température du cylindre au dessus de 50°C.

Si vous éprouvez des problèmes pour tourner les boutons des brûleurs, veuillez contacter le Service Après-vente pour remplacer le bec du brûleur s'il est défectueux.

Les ouvertures utilisées pour la ventilation et la diffusion de la chaleur ne doivent jamais être obstruées.

⚠ Découpez le contour du meuble avant d'y insérer l'appareil, et enlevez soigneusement les copeaux et la sciure de bois.

⚠ Si l'appareil n'est pas installé au-dessus d'un four, un panneau séparateur (non compris) doit être installé dans le compartiment sous l'appareil.

RACCORDEMENT AU GAZ

⚠ **AVERTISSEMENT:** Avant l'installation, assurez-vous que les conditions de distribution locale (nature et pression du gaz) sont compatibles avec les réglages de l'appareil.

⚠ Vérifiez que la pression de l'alimentation de gaz est conforme aux valeurs indiquées dans le tableau "Caractéristiques du brûleur".

⚠ **AVERTISSEMENT:** Les conditions de configuration pour cet appareil sont indiquées sur l'étiquette (ou la plaque signalétique).

⚠ **AVERTISSEMENT:** Cet appareil n'est pas raccordé à un dispositif d'évacuation des fumées. Il doit être installé et connecté conformément aux réglementations en vigueur en matière d'installation. Faire particulièrement attention aux normes d'aération.

⚠ Si les appareils sont branchés à du gaz liquide, la vis de réglage doit être fixée aussi fermement que possible.

⚠ **IMPORTANT:** Si vous utilisez une bouteille de gaz, le cylindre ou le récipient de gaz doit être correctement installée (orientation verticale).

⚠ **AVERTISSEMENT:** Cette opération doit être effectuée par un technicien spécialisé.

⚠ Effectuez le raccordement au gaz à l'aide d'un flexible ou d'un tuyau en métal rigide uniquement.

⚠ Connexion à un tuyau rigide (cuivre ou acier) La connexion au système de gaz doit être effectuée de façon à ne pas placer de contrainte sur l'appareil. Il existe un raccord de tuyau en forme de L réglable sur la rampe d'alimentation de l'appareil et il est installé avec un joint afin d'éviter des fuites. Le joint d'étanchéité doit toujours être remplacé lorsqu'on remplace le raccord de tuyauterie (le joint est fourni avec l'appareil). Le raccord de tuyauterie de l'alimentation de gaz est un raccord cylindrique mâle avec un filament de 1/2.

⚠ Connexion d'un tuyau en acier inoxydable sans joint flexible à une fixation filetée. Le raccord de tuyau d'alimentation de gaz est une fixation mâle cylindrique de gaz filetée de dimension 1/2. Ces tuyaux doivent être installés de façon à ne pas dépasser 2000 mm de longueur lorsqu'ils sont complètement étirés. Une fois le branchement terminé, assurez-vous que le tuyau flexible en métal ne touche pas aux pièces mobiles et qu'il n'est pas écrasé. Utiliser seulement des tuyaux et des joints d'étanchéité conformes à la réglementation nationale.

⚠ **IMPORTANT:** Si vous utilisez un tuyau en acier inoxydable, assurez-vous qu'il ne touche à aucune pièce mobile du meuble (p. ex. un tiroir). Le tuyau doit passer à travers un endroit libre d'obstruction et où il est possible de l'inspecter sur toute sa longueur.

⚠ L'appareil doit être branché à l'alimentation principale ou à un cylindre de gaz conformément à la réglementation nationale. Avant d'effectuer le branchement, assurez-vous que l'appareil est compatible avec l'alimentation de gaz que vous désirez utiliser. Si ce n'est pas le cas, suivez les directives indiquées au paragraphe "Adapter à différents types de gaz".

⚠ Après le raccordement à l'arrivée de gaz, vérifier qu'il n'y ait pas de fuite à l'aide d'eau savonneuse. Allumez les brûleurs et tournez les boutons de la position maximale 1* à la position minimale 2* pour vérifier la stabilité de la flamme.

ADAPTER À DIFFÉRENTS TYPES DE GAZ

(Cette opération doit être effectuée par un technicien spécialisé).

⚠ Afin d'adapter l'appareil à un type de gaz différent de celui pour lequel il a été fabriqué (indiqué sur l'étiquette nominative), suivez les étapes spécifiques indiquées après les schémas d'installation.

AVERTISSEMENTS ÉLECTRIQUES

⚠ **IMPORTANT:** Des informations concernant la consommation actuelle et de tension figurent sur la plaque signalétique.

⚠ Il doit être possible de débrancher l'appareil de l'alimentation électrique en retirant la fiche de la prise de courant si elle est accessible, ou à l'aide d'un interrupteur multipolaire en amont de la prise de courant, conformément aux règles de câblage et l'appareil doit être mis à la terre conformément aux normes de sécurité électrique nationales.

⚠ Une fois l'appareil installé dans son meuble, le câble d'alimentation doit être suffisamment long pour le brancher à l'alimentation électrique principale. Ne tirez pas sur le cordon d'alimentation pour débrancher l'appareil.

⚠ N'utilisez pas de rallonge, de prises multiples ou d'adaptateurs. Une fois l'installation terminée, l'utilisateur ne devra plus pouvoir accéder aux composantes électriques. N'utilisez pas l'appareil si vous êtes mouillé ou si vous êtes pieds nus. N'utilisez pas cet appareil si le câble d'alimentation ou la prise de courant sont endommagés,

si l'appareil ne fonctionne pas correctement, ou s'il a été endommagé ou échappé.

⚠ Si le câble d'alimentation est endommagé, il doit être remplacé par un câble identique provenant du fabricant, d'un représentant du Service Après-vente, ou par toute autre personne qualifiée - vous pourriez vous électrocuter.


NETTOYAGE ET ENTRETIEN

⚠ **AVERTISSEMENT:** Assurez-vous que l'appareil est éteint et débranché du réseau électrique avant d'effectuer l'entretien - vous pourriez vous électrocuter; n'utilisez jamais un appareil de nettoyage à vapeur - risque de choc électrique.

⚠ N'utilisez en aucun cas de produits abrasifs ou corrosifs, de produits chlorés ou de tampons à récurer.

⚠ Pour ne pas endommager le dispositif d'allumage électrique, actionnez-le uniquement lorsque les brûleurs ont été remis en place.


MISE AU REBUT DES MATÉRIAUX D'EMBALLAGE

Les matériaux d'emballage sont entièrement recyclables comme l'indique le symbole de recyclage .

Les différentes parties de l'emballage doivent donc être jetées de manière responsable et en totale conformité avec la réglementation des autorités locales régissant la mise au rebut de déchets.

MISE AU REBUT DES APPAREILS ÉLECTROMÉNAGERS

Cet appareil est fabriqué avec des matériaux recyclables ou pouvant être réutilisés. Mettez-le au rebut en vous conformant aux réglementations locales en matière d'élimination des déchets. Pour toute information supplémentaire sur le traitement et le recyclage des appareils électroménagers, contactez le service local compétent, le service de collecte des déchets ménagers ou le magasin où vous avez acheté l'appareil. Cet appareil est marqué comme étant conforme à la Directive européenne 2012/19/EU, aux réglementations relatives aux Déchets d'équipement électrique et électronique (DEEE) et relatives aux Déchets d'équipement électrique et électronique de 2013 (tels qu'amendés). En vous assurant que l'appareil est mis au rebut correctement, vous pouvez aider à éviter d'éventuelles conséquences négatives sur l'environnement et la santé humaine.

Ce symbole  sur le produit ou sur la documentation qui l'accompagne indique qu'il ne doit pas être traité comme un déchet domestique, mais doit être remis à un centre de collecte spécialisé pour le recyclage des appareils électriques et électroniques.



CONSEILS RELATIFS À L'ÉCONOMIE D'ÉNERGIE

Utilisez des ustensiles de cuisson d'un diamètre égal à celui de la zone de cuisson.

Utilisez exclusivement des ustensiles de cuisson à fond plat.

Lorsque cela est possible, couvrez les casseroles avec un couvercle pendant la cuisson.

Utilisez un autocuiseur pour économiser encore plus d'énergie et de temps.

DÉCLARATION DE CONFORMITÉ

Cet appareil respecte les conditions requises d'écoconception de la Réglementation européenne 66/2014 et des Réglementations en matière d'écoconception pour les produits liés à l'énergie et les informations énergétiques (Amendement) (Sortie de l'UE) 2019, conformément à la norme européenne EN 30-2-1.

CARACTÉRISTIQUES DU BRÛLEUR
CATÉGORIE I1E+3+

Type de gaz utilisé	Type de brûleur	Marque de l'injecteur	Puissance thermique nominale kW	Consommation nominale	Puissance thermique réduite kW	Pression du gaz mbar		
						min.	nom.	max.
GAZ NATUREL (Méthane) G20	Rapide (R)	128 B	3,00	286 l/h	0,70	17	20	25
	Semi-rapide (SR)	97	1,75	167 l/h	0,40			
	Auxiliaire (AUX)	78 A	1,00	95 l/h	0,40			
	Double couronne (DC)	141	4,00	381 l/h	2,20			
GAZ DE PÉTROLE LIQUÉFIÉ (Butane) G30	Rapide (R)	87	3,00	218 g/h	0,70	20	28-30	35
	Semi-rapide (SR)	67	1,75	127 g/h	0,40			
	Auxiliaire (AUX)	50	1,00	73 g/h	0,40			
	Double couronne (DC)	94	3,70	269 g/h	2,20			
GAZ DE PÉTROLE LIQUÉFIÉ (Propane) G31	Rapide (R)	87	3,00	214 g/h	0,70	25	37	45
	Semi-rapide (SR)	67	1,75	125 g/h	0,40			
	Auxiliaire (AUX)	50	1,00	71 g/h	0,40			
	Double couronne (DC)	94	3,70	264 g/h	2,20			

Type de gaz utilisé	Configuration du modèle 5 BRÛLEURS	Puissance thermique nominale (kW)	Consommation totale nominale	Air nécessaire (m ³) à la combustion de 1m ³ de gaz
G20 20 mbar	1R - 2SR - 1AUX - 1DC	11,50	1095 l/h	9,52
G30 28-30 mbar	1R - 2SR - 1AUX - 1DC	11,20	814 g/h	30,94
G31 37 mbar	1R - 2SR - 1AUX - 1DC	11,20	800 g/h	23,80

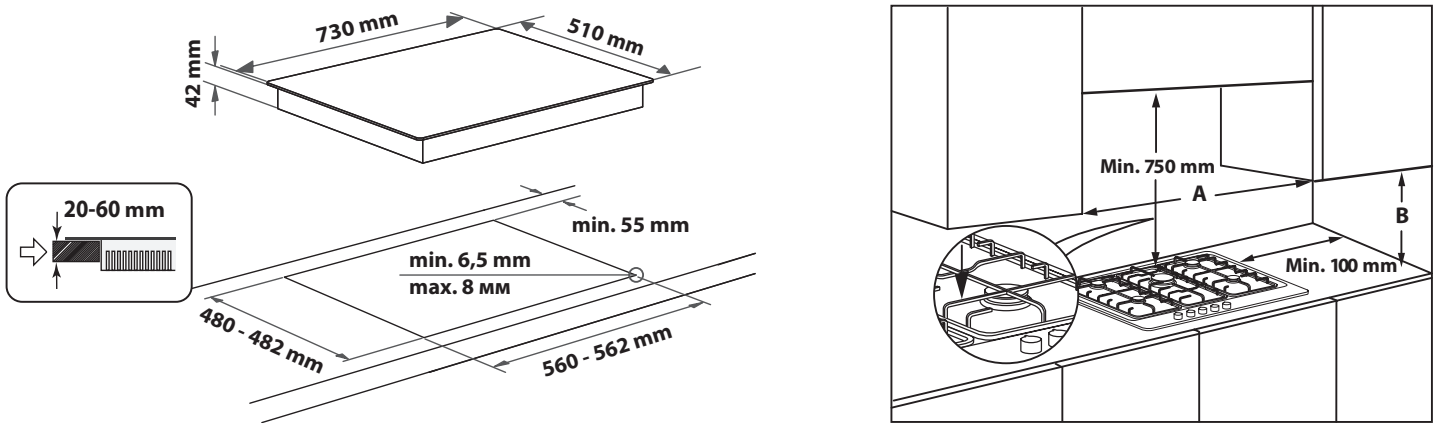
ALIMENTATION ÉLECTRIQUE: 220-240 V ~ 50-60 Hz - 0,6 W


INSTALLATION (CLASSE 3)

INFORMATIONS TECHNIQUES POUR L'INSTALLATEUR

- Utilisez des gants de protection pour manipuler, préparer et installer le produit.
- La table de cuisson peut être encastrée dans un plan de travail de 20 ÷ 60 mm d'épaisseur.
- Si vous n'installez pas de four sous la table de cuisson, placez un panneau de séparation de dimension au moins égale à celle de la découpe pratiquée dans le plan de travail. Ce panneau doit être installé à 150 mm maximum en dessous de la surface supérieure du plan de travail, mais en aucun cas à moins de 20 mm de la partie inférieure de la table de cuisson. Si vous avez l'intention d'installer un four sous la table de cuisson, assurez-vous qu'il est doté d'un système de refroidissement.

DIMENSIONS ET DISTANCES A RESPECTER



REMARQUE: si la distance "A" entre les éléments muraux est de 600 mm à 730 mm, la hauteur "B" doit être au minimum de 530 mm. Si la distance "A" entre les éléments muraux est supérieure à la largeur de la table de cuisson, la hauteur "B" doit être au minimum de 400 mm. Avant d'installer une hotte au-dessus de la table de cuisson, veuillez vous référer au manuel d'utilisation de la hotte qui spécifie les distances adéquates.

ASSEMBLAGE

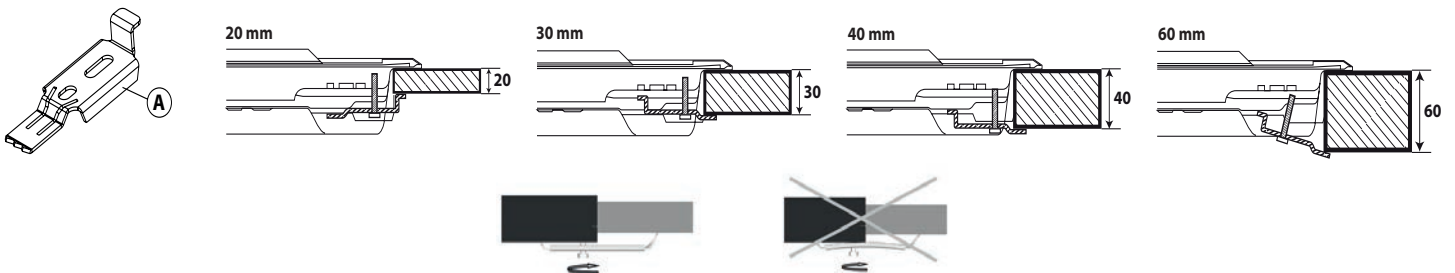
Après avoir nettoyé le pourtour de la table de cuisson, appliquez le joint fourni comme illustré sur la figure.

Installez la table de cuisson dans l'ouverture du plan de cuisson dont les dimensions correspondent à celles figurant dans le mode d'emploi.



REMARQUE: le cordon d'alimentation doit être suffisamment long pour permettre son extraction par le haut.

Pour fixer la table de cuisson, utilisez les attaches (A) fournies. Introduisez les attaches dans les orifices prévus à cet effet (indiqués par la flèche) et fixez-les à l'aide des vis en fonction de l'épaisseur de la table de cuisson (voir figures suivantes).

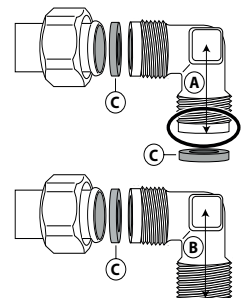


RACCORDEMENT AU GAZ

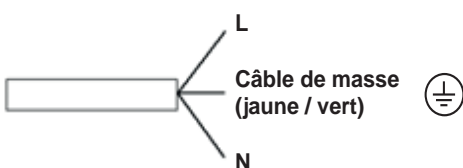
- Raccordez le coude (A)* ou (B)* fourni au tuyau principal d'alimentation de la table de cuisson et installez la rondelle (C) fournie, conformément à la norme EN 549.

* Utilisez le coude (A) pour la France et le coude (B) pour tous les autres pays.

- Une fois le tuyau de gaz raccordé, vérifiez l'absence de fuites à l'aide d'eau savonneuse. Allumez les brûleurs et tournez les boutons de la position maximale (flèche) à la position minimale (flèche) pour vérifier la stabilité de la flamme.



BRANCHEMENT ÉLECTRIQUE





MERCI D'AVOIR CHOISI UN PRODUIT WHIRLPOOL
Afin de profiter d'une assistance plus complète, veuillez enregistrer votre produit sur www.whirlpool.eu/register.

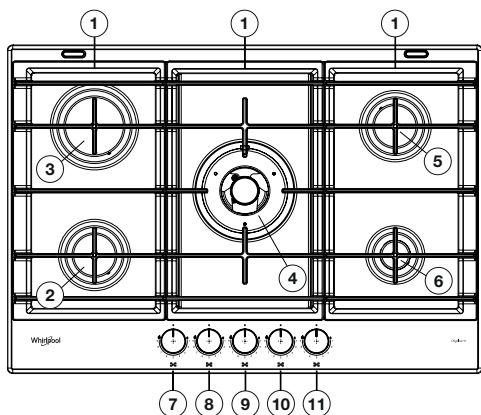


Lisez attentivement les consignes de sécurité avant d'utiliser l'appareil.

**VEUILLEZ SCANNER LE QR CODE
SUR VOTRE APPAREIL POUR
OBTENIR PLUS D'INFORMATIONS**



DESCRIPTION DU PRODUIT



1. Grilles amovibles
2. Brûleur semi-rapide
3. Brûleur rapide
4. Brûleur à double couronne
5. Brûleur semi-rapide
6. Brûleur auxiliaire
7. Bouton de commande du brûleur semi-rapide
8. Bouton de commande du brûleur rapide
9. Bouton de commande du brûleur à double couronne
10. Bouton de commande du brûleur semi-rapide
11. Bouton de commande du brûleur auxiliaire

Symboles

- Cercle ombré ● Robinet fermé
- Flamme maximale 🔥 Ouverture/débit max., et allumage électrique
- Flamme minimale 🔥 Ouverture min./débit réduit



USAGE QUOTIDIEN

MODE D'EMPLOI DE LA TABLE DE CUISSON

⚠ Ne laissez pas la flamme du brûleur dépasser du bord de la casserole.

IMPORTANT: lorsque la table de cuisson est utilisée, elle peut être chaude dans son intégralité.

- Pour allumer un des brûleurs, tournez le bouton correspondant dans le sens inverse des aiguilles d'une montre jusqu'à la position de flamme maximale.
- Appuyez sur le bouton du bandeau de commande et maintenez-le dans cette position jusqu'à ce que le brûleur s'allume.
- Dès que le brûleur est allumé, maintenez le bouton enfoncé pendant 5 à 10 secondes environ pour permettre le fonctionnement correct du dispositif.
- Ce dispositif de sécurité du brûleur permet de couper l'arrivée du gaz en cas d'extinction inopinée de la flamme (suite à un courant d'air, une absence momentanée de gaz, un débordement de liquides, etc.).
- **Ne maintenez pas le bouton enfoncé plus de 15 secondes. Si, une fois ce temps écoulé, le brûleur ne reste pas allumé, attendez au moins une minute avant de répéter l'opération.**

REMARQUE: si des conditions locales spéciales du gaz distribué rendent l'allumage du brûleur difficile, il est conseillé de répéter l'opération en plaçant le bouton sur la position petite flamme.

Il se peut que le brûleur s'éteigne lorsque vous relâchez le bouton. Cela signifie que le dispositif de sécurité n'a pas chauffé suffisamment. Dans un tel cas, veuillez répéter les opérations décrites ci-dessus.

En cas d'extinction accidentelle des flammes du brûleur, tournez la manette jusqu'à l'arrêt et attendez au moins 1 minute avant de tenter de rallumer.

CONSEILS PRATIQUES POUR UTILISER LES BRÛLEURS

Cette table de cuisson est équipée de brûleurs de différents diamètres. Pour obtenir une meilleure performance des brûleurs, veuillez respecter les consignes suivantes:

- utilisez des ustensiles de cuisson d'un diamètre égal ou légèrement supérieur à celui du foyer (voir le tableau de droite);
- utilisez exclusivement des ustensiles de cuisson à fond plat;
- cuisez les aliments dans une quantité d'eau adaptée aux besoins et laissez le couvercle sur la casserole;
- vérifiez que les ustensiles de cuisson ne dépassent pas de la table de cuisson;
- pour les ustensiles de cuisson à fond convexe (WOK), utilisez la grille de support (non fournie), et placez-la uniquement sur le brûleur à plusieurs couronnes.
- éviter les heurts accidentels avec casseroles, grilles ou autres ustensiles de cuisine;
- ne pas utiliser de casseroles ou de faitouts à cheval sur deux brûleurs ou plus.

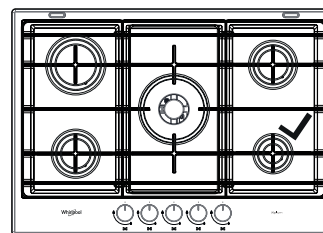
IMPORTANT: une utilisation inappropriée des grilles peut endommager la table de cuisson; ne positionnez pas les grilles sens dessus dessous ou ne les faites pas glisser sur la table de cuisson.

BRÛLEUR	Ø D'USTENSILE DE CUISSON
Double couronne	De 24 à 26 cm
Rapide	De 24 à 26 cm
Semi-rapide	De 16 à 22 cm
Auxiliaire	De 8 à 14 cm

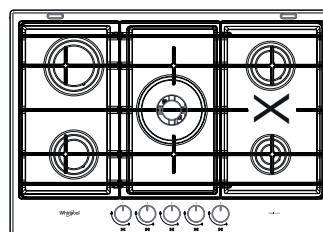
N'utilisez pas:

- de plaques en fonte, de pierres ollaires, d'ustensiles de cuisson en terre cuite;
- de diffuseurs de chaleur comme des mailles métalliques ou tout autre type;
- deux brûleurs simultanément pour un seul récipient (par exemple, une poissonnière).

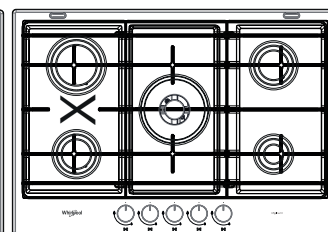
LE CORRECT POSITIONNEMENT DES GRILLES



OK



NO



NO

ADAPTATION A DIFFÉRENTS TYPES DE GAZ

⚠ Cette opération doit être réalisée par un technicien qualifié.

Si votre appareil est conçu pour fonctionner avec un type de gaz différent de celui indiqué sur l'étiquette signalétique et sur l'étiquette d'information appliquée sur le dessus de la table de cuisson, remplacez les injecteurs. Retirez l'étiquette d'information et conservez-la avec le mode d'emploi.

Utilisez des détendeurs compatibles avec la pression du gaz indiquée dans le mode d'emploi:

- l'injecteur de gaz doit être remplacé par le Service Après-vente ou par un technicien qualifié;
- si l'injecteur n'est pas livré avec l'appareil, commandez-le auprès du Service Après-vente;
- réglez les robinets sur le minimum.

REMARQUE: si vous utilisez du gaz de pétrole liquéfié (G30/G31), la vis de réglage du débit minimal de gaz doit être serrée à fond.

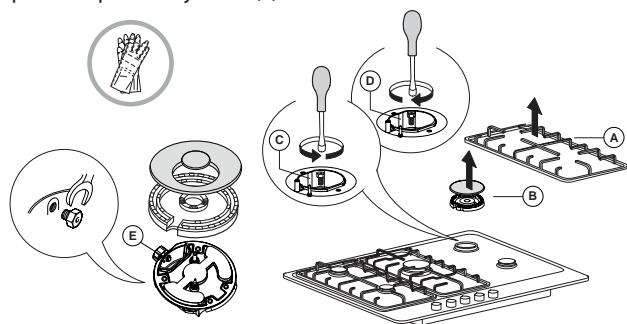
IMPORTANT: si les boutons de commande des brûleurs tournent difficilement, contactez le Service Après-vente pour le remplacement du robinet du brûleur si celui-ci est défectueux.

IMPORTANT: si vous utilisez une bouteille de gaz, veillez à ce qu'elle soit correctement installée (orientation verticale).

REPLACEMENT DES INJECTEURS (voir le tableau des injecteurs dans le Consignes de sécurité)

⚠ Cette opération doit être réalisée par un technicien qualifié.

- Retirez les grilles (A).
- Retirez les brûleurs (B).
- Utilisez une clef à douille de taille appropriée et dévissez l'injecteur (C) à remplacer.
- Remplacez-le par l'injecteur compatible avec le nouveau type de gaz.
- Remontez l'injecteur en (D).
- Si vous possédez un brûleur à multiples couronnes, utilisez la clef latérale pour remplacer l'injecteur (E).



Avant d'installer la table de cuisson, n'oubliez pas de coller l'étiquette fournie avec les injecteurs contenant les informations correspondant au gaz utilisé.

RÉGLAGE DES ROBINETS SUR LE MINIMUM

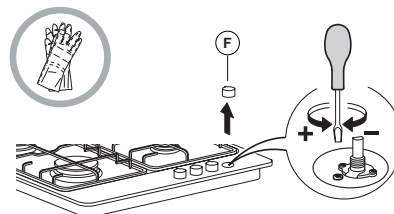
⚠ Cette opération doit être réalisée par un technicien qualifié.

Le réglage doit être effectué avec le robinet sur le minimum (petite flamme). L'air primaire des brûleurs ne doit pas être réglé.

Pour vous assurer que le réglage minimal est correctement réglé, retirez le bouton (F) et procédez comme suit:

- serrez la vis pour réduire la hauteur de la flamme (-);
- desserrez la vis pour augmenter la hauteur de la flamme (+).

Allumez maintenant les brûleurs et tournez les boutons de la position maximale vers la position minimale pour vérifier la stabilité de la flamme.




Une fois le réglage terminé, refaites le joint en utilisant une cire à cacheter ou un matériau équivalent.

TABLEAU DE CUISSON

NIVEAU	MÉTHODE/TYPE DE CUISSON (SUGGÉRÉ POUR)	CONSEILS DE CUISSON
1-2	GARDER AU CHAUD	Idéal pour ramollir le beurre, faire fondre lentement du chocolat au bain-marie, décongeler les aliments de petite taille, préparer la sauce du risotto.
	CUISSON DOUCE	
3-4	MIJOTER	Idéal pour les recettes exigeant une cuisson lente (riz, sauces, rôtis, poisson) avec des liquides (par ex. eau, vin, bouillon), et pour préparer la sauce des pâtes, en maintenant une lente ébullition.
	CUISSON VAPEUR	
5-6	RÔTIR	Idéal pour les légumes sautés, à la vapeur, des cuissons longues, le préchauffage d'accessoires, la cuisson jusqu'à atteindre une texture crémeuse.
	FAIRE FRIRE	
7-8	SAUTER	Idéal pour dorer, démarrer une cuisson, porter à ébullition rapide, frire des produits surgelés, griller la viande et le poisson, maintenir une ébullition vive.
	GRILLER	
9	CHAUFFAGE RAPIDE	Idéal pour augmenter rapidement la température des aliments ou pour chauffer les liquides (eau).

NETTOYAGE ET ENTRETIEN

 Débranchez l'appareil avant de procéder à son entretien.

NETTOYAGE DE LA SURFACE DE LA TABLE DE CUISSON

- Nettoyez les parties émaillées et en verre à l'eau chaude en utilisant un peu de détergent neutre.
- Si les surfaces en acier inoxydable restent trop longtemps en contact avec de l'eau calcaire ou des détergents corrosifs, des taches risquent de se former. Éliminez tout débordement de liquide (eau, sauce, café, etc.) avant qu'il ne sèche.
- Nettoyez à l'eau chaude en utilisant un détergent neutre, puis essuyez à l'aide d'un chiffon doux ou d'une peau de chamois. Éliminez les résidus carbonisés à l'aide d'un produit de nettoyage spécial pour surfaces en acier inoxydable.

REMARQUE: nettoyez l'inox uniquement avec un chiffon doux ou une éponge.

- N'utilisez en aucun cas de produits abrasifs ou corrosifs, de produits chlorés ou de tampons à récurer.
- N'utilisez pas d'appareils de nettoyage à la vapeur.
- N'utilisez pas de produits inflammables.
- Essuyez immédiatement les substances acides ou alcalines, telles que vinaigre, moutarde, sel, sucre ou jus de citron, qui se sont déposées sur la table de cuisson.

NETTOYAGE DES ELEMENTS DE LA TABLE DE CUISSON

- Nettoyez les parties en verre et émaillées uniquement avec un chiffon doux ou une éponge.
- Les grilles, les chapeaux des brûleurs et les brûleurs peuvent être retirés pour être nettoyés.
- Lavez-les à la main, à l'eau chaude en utilisant un détergent non abrasif. Veillez à éliminer soigneusement tous les résidus d'aliments et assurez-vous qu'aucune des ouvertures des brûleurs n'est obstruée.
- Rincez et séchez.
- Les grilles en fonte peuvent être nettoyées au lave-vaisselle. Enlevez tous les résidus d'aliments brûlés avant de placer les grilles dans le rack inférieur du lave-vaisselle.**
- Réinstallez les brûleurs et les chapeaux des brûleurs dans leurs logements respectifs.
- Au moment de réinstaller les grilles, assurez-vous que celles-ci sont alignées par rapport au brûleur.
- Sur les modèles équipés de bougies d'allumage électriques et de dispositif de sécurité, veillez à nettoyer soigneusement l'extrémité de la bougie pour garantir son bon fonctionnement. Vérifiez régulièrement l'état de ces éléments et nettoyez-les à l'aide d'un chiffon humide, si nécessaire. Éliminez tout résidu d'aliment à l'aide d'un cure-dent ou d'une aiguille.

REMARQUE: pour ne pas endommager le dispositif d'allumage électrique, actionnez-le uniquement lorsque les brûleurs ont été remis en place.

GUIDE DE DÉPANNAGE

En cas de mauvais fonctionnement de la table de cuisson, avant de contacter le Service Après-vente, consultez le chapitre Diagnostic des pannes afin d'identifier le problème.

1. Le brûleur ne s'allume pas ou la flamme est irrégulière

Vérifiez que:

- l'alimentation du gaz ou l'alimentation électrique n'est pas coupée et, en particulier, que le robinet d'arrivée du gaz est ouvert;
- la bouteille de gaz (gaz liquide) n'est pas vide;
- les ouvertures des brûleurs ne sont pas obstruées;
- l'extrémité de la bougie n'est pas encrassée;
- tous les éléments des brûleurs sont positionnés correctement;
- Il n'y a pas de courant d'air à proximité de la table de cuisson.

2. Le brûleur ne reste pas allumé

Vérifiez que:

- lors de l'allumage du brûleur, le bouton est maintenu enfoncé pendant un laps de temps suffisant pour permettre au dispositif de protection de s'enclencher;
- les ouvertures du brûleur ne sont pas obstruées à proximité du thermocouple;
- l'extrémité du dispositif de sécurité n'est pas encrassée;
- le réglage du débit minimal de gaz est correct (voir paragraphe correspondant).

3. Les ustensiles de cuisson ne sont pas stables

Vérifiez que:

- le fond des ustensiles de cuisson est parfaitement plat;
- l'ustensile de cuisson est correctement centré sur le brûleur;
- les grilles n'ont pas été inversées ou mises en place de façon incorrecte.

Si le problème persiste après ces vérifications, contactez votre Service Après-vente le plus proche.

SERVICE APRÈS-VENTE

Afin de profiter d'une assistance complète, veuillez enregistrer votre appareil sur www.whirlpool.eu/register.

AVANT D'APPELER LE SERVICE APRÈS-VENTE:

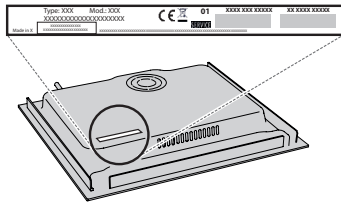
1. Vérifiez en premier lieu si vous pouvez remédier au problème à l'aide des suggestions de la section **GUIDE DE DÉPANNAGE**.
2. Éteignez puis rallumez l'appareil pour voir si le problème persiste.

SI LE PROBLÈME PERSISTE TOUJOURS APRÈS LES VÉRIFICATIONS PRÉCÉDENTES, CONTACTER LE SERVICE APRÈS-VENTE LE PLUS PRÈS.

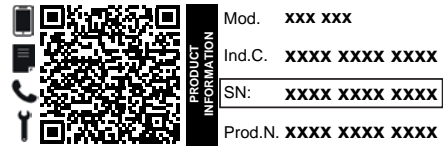
Pour obtenir du support, appeler le numéro disponible dans le livret de garantie ou suivez les consignes sur le site Web www.whirlpool.eu.

Lorsque vous contactez notre Service Après-vente, toujours préciser:

- une brève description du problème;
- le type et le modèle exact de l'appareil;



- le numéro de série (le numéro après le mot «SN» sur la plaque signalétique située sous l'appareil). Le numéro de série est également disponible dans la documentation;



- votre adresse complète ;
- votre numéro de téléphone.

Si des réparations sont nécessaire, contactez un service après-vente agréé (vous aurez ainsi la garantie que les pièces défectueuses seront remplacées par des pièces d'origine et que la réparation de votre appareil sera effectuée correctement).



Vous trouverez les politiques, la documentation standard et des informations supplémentaires sur le produit :

- En utilisant le QR Code dans votre appareil;
- En visitant notre site Internet docs.whirlpool.eu/docs;
- Vous pouvez également **contacter notre service après-vente** (voir numéro de téléphone dans le livret de garantie). Lorsque vous contactez notre Service après-vente, veuillez indiquer les codes figurant sur la plaque signalétique de l'appareil.



WSKAZÓWKI DOTYCZĄCE BEZPIECZENSTWA

PRZECZYTAĆ I ŚCIŚLE PRZESTRZEGAĆ

⚠ Niniejsze instrukcje obowiązują wyłącznie, jeśli na urządzeniu występuje oznaczenie danego kraju. Jeśli na urządzeniu brak tego oznaczenia, należy odnieść się do instrukcji technicznych, w których znajdują się niezbędne wskazówki w zakresie dostosowania urządzenia do warunków użytkowania w danym kraju.

⚠ **UWAGA:** Użytkowanie urządzenia do gotowania na gazie wiąże się z wytwarzaniem w pomieszczeniu, w którym jest ono zainstalowane, ciepła, wilgoci i pozostałych produktów spalania. Należy dopilnować, aby kuchnia była dobrze wentylowana, szczególnie w czasie użytkowania urządzenia: zadbać o drożność naturalnych otworów wentylacyjnych lub zamontować urządzenie do wentylacji mechanicznej (mechaniczny wyciąg kuchenny). Przedłużające się intensywne użytkowanie urządzenia może wymagać dodatkowej wentylacji, np. otwarcia okna, lub bardziej efektywnej wentylacji, np. zwiększenia poziomu wentylacji mechanicznej (jeśli to możliwe).

⚠ Nieprzestrzeganie dokładnej informacji zawartych w tej instrukcji może spowodować pożar lub wybuch, co może skutkować uszkodzeniem mienia lub obrażeniami ciała.

Przed przystąpieniem do użytkowania urządzenia należy zapoznać się instrukcjami bezpieczeństwa. Przechowywać w podręcznym miejscu w celu korzystania z nich w przyszłości.

W instrukcji oraz na samym urządzeniu znajdują się ważne ostrzeżenia dotyczące bezpieczeństwa, których należy zawsze przestrzegać. Producent urządzenia nie ponosi odpowiedzialności za jakiegokolwiek szkody wynikłe z nieprzestrzegania niniejszej instrukcji bezpieczeństwa, nieprawidłowego użytkowania urządzenia lub niewłaściwego ustawienia elementów sterujących.

⚠ **OSTRZEŻENIE:** Jeśli powierzchnia płyty jest pęknięta, nie wolno używać urządzenia – ryzyko porażenia prądem.

⚠ **OSTRZEŻENIE:** Zagrożenie pożarem: na powierzchniach grzejnych nie należy przechowywać żadnych przedmiotów.

⚠ **OSTROŻNIE:** Proces gotowania musi być nadzorowany. Proces krótkiego gotowania musi być nadzorowany przez cały czas.

⚠ **OSTRZEŻENIE:** Pozostawienie urządzenia bez nadzoru podczas przyrządzania potraw z użyciem oleju i tłuszczu może spowodować zagrożenie i prowadzić do powstania pożaru. Pożaru NIGDY nie wolno gasić wodą! Należy wyłączyć urządzenie i przykryć ogień np. pokrywką lub kocem gaśniczym.

⚠ Nie używać płyty kuchennej jako powierzchni roboczej. Ścierki kuchenne i inne łatwopalne materiały powinny być przechowywane z dala od urządzenia, dopóki wszystkie jego podzespoły całkowicie nie ostygną – ryzyko pożaru.

⚠ Młodsze dzieci (0-3 lat) nie powinny przebywać w

poblizu urządzenia. Dzieci (3-8 lat) nie powinny przebywać w poblizu urządzenia bez stałego nadzoru. Dzieci w wieku 8 lat i starsze, osoby o ograniczonej sprawności fizycznej, sensorycznej lub umysłowej oraz osoby bez odpowiedniego doświadczenia i wiedzy, mogą korzystać z urządzenia wyłącznie pod nadzorem lub po otrzymaniu odpowiednich instrukcji dotyczących bezpiecznego użytkowania urządzenia oraz pod warunkiem, że rozumieją zagrożenia związane z obsługą urządzenia. Dzieci nie mogą używać tego urządzenia do zabawy. Dzieci nie mogą czyścić ani konserwować urządzenia bez nadzoru.

⚠ **OSTROŻNIE:** W przypadku pęknięcia szklanej powierzchni płyty grzejnej natychmiast wyłączyć wszystkie palniki oraz elektryczne elementy grzejne i odłączyć urządzenie od zasilania; nie dotykać powierzchni urządzenia; nie korzystać z urządzenia.

Szklana pokrywa może pęknąć, jeśli zostanie podgrzana. Należy wyłączyć wszystkie palniki oraz płyty elektryczne przed zamknięciem pokrywy. Nie zamykać pokrywy, jeśli palnik jest zapalony.

⚠ **OSTRZEŻENIE:** Urządzenie i jego łatwo dostępne części mogą nagrzewać się podczas pracy. Należy uważać, aby nie dotknąć elementów grzejnych. Dzieci do lat 8 nie mogą znajdować się w poblizu urządzenia bez stałego nadzoru.

⚠ Żywność nie może być pozostawiona w urządzeniu lub na nim dłużej niż godzinę przed lub po gotowaniu.

DOZWOLONE ZASTOSOWANIE

⚠ **OSTROŻNIE:** urządzenie nie zostało przeznaczone do obsługi za pomocą zewnętrznego urządzenia, np. timera, ani niezależnego systemu zdalnego sterowania.

⚠ To urządzenie jest przeznaczone do użytku w gospodarstwach domowych oraz do podobnych zastosowań takich jak: kuchnie dla pracowników w sklepach, biurach i innych środowiskach roboczych; gospodarstwa rolne; wykorzystanie przez klientów w hotelach, motelach oraz innych obiektach mieszkalnych.

⚠ Wszelkie inne zastosowania (np. ogrzewanie pomieszczeń) są zabronione.

⚠ To urządzenie nie jest przeznaczone do użytku przemysłowego. Urządzenia nie należy używać na zewnątrz.

⚠ Garnki lub patelnie powinny mieć średnicę dna równą lub nieco większą od palnika (patrz specjalna tabela). Upewnić się, że garnki postawione na ruszcie nie wystają poza krawędź płyty kuchennej.

⚠ Niewłaściwe użytkowanie rusztu może skutkować uszkodzeniem płyty kuchennej. Nie należy ustawiać rusztu do góry nogami lub przesuwając go po płycie kuchennej.

Nie dopuszczać, aby płomień palnika wychodził poza krawędź dna naczynia. Jeżeli powierzchnia płyty jest ze szkła, nie używać płyt żeliwnych, kamiennych grillów, garnków i patelni z terakoty.

Nie wolno używać: dyfuzorów ciepła takich jak siatki metalowe lub innych; dwóch palników jednocześnie dla jednego pojemnika (np. brytfanna do ryb).

Jeśli zapalenie palnika będzie utrudnione z powodu szczególnych lokalnych warunków dostarczania gazu, zaleca się powtórzenie czynności przy pokrętle skręconym do uzyskania małego płomienia.

W przypadku montowania okapu nad płytą kuchenną należy odnieść się do instrukcji montowania okapu, aby sprawdzić prawidłową odległość między nim a płytą kuchenną.

Ochronne podkładki gumowe na rusztach mogą prowadzić do zadławienia małych dzieci. Po zdjęciu rusztu należy upewnić się, że wszystkie ochraniacze zostały prawidłowo założone.

INSTALACJA

⚠ Przemieszczanie i montaż urządzenia wymaga udziału co najmniej dwóch osób – ryzyko obrażeń. Podczas wypakowywania i instalacji stosować rękawice ochronne - ryzyko skaleczenia.

⚠ Połączenia elektryczne i gazowe muszą być wykonane zgodnie z lokalnymi przepisami.

⚠ Instalacje, np. wodne (jeżeli dotyczy), podłączenia elektryczne i wszelkie naprawy powinny być przeprowadzane przez wykwalifikowanego technika. Nie należy naprawiać ani wymieniać żadnej części urządzenia, jeśli nie jest to wyraźnie dozwolone w instrukcji obsługi. Nie należy pozwalać dzieciom zbliżać się do miejsca instalacji. Po rozpakowaniu urządzenia należy sprawdzić, czy nie zostało ono uszkodzone podczas transportu. W przypadku problemów należy skontaktować się z najbliższym serwisem technicznym. Po zakończeniu instalacji niepotrzebne elementy opakowania (plastik, elementy ze styropianu, itd.) należy przechowywać poza zasięgiem dzieci - ryzyko uduszenia. Przed przystąpieniem do jakichkolwiek czynności montażowych urządzenie należy odłączyć od zasilania elektrycznego – ryzyko porażenia prądem. Podczas instalacji upewnić się, że urządzenie nie może uszkodzić przewodu zasilającego – ryzyko pożaru lub porażenia prądem. Urządzenie można uruchomić dopiero po zakończeniu instalacji.

⚠ **OSTRZEŻENIE:** Dla zapewnienia bezpiecznego i prawidłowego użytkowania urządzenia we wszystkich pozostałych krajach, niezbędne jest przeprowadzenie modyfikacji urządzenia i sposobu jego instalacji.

⚠ Używać regulatorów ciśnienia odpowiednich do ciśnienia gazu wskazanego w Instrukcji.

⚠ Pomieszczenie musi być wyposażone w system poboru powietrza, wydalający wszystkie możliwe spaliny.

⚠ Pomieszczenie musi również posiadać odpowiednią wentylację, ponieważ dopływ powietrza jest niezbędny do prawidłowego przebiegu procesu spalania. Przepływ powietrza nie może być mniejszy niż 2 m³/godz. na kW zainstalowanej mocy.

⚠ System cyrkulacji powietrza może pobierać powietrze bezpośrednio z zewnątrz, za pomocą przewodu o przekroju wewnętrznym o średnicy co najmniej 100 cm²; otwór nie może być podatny na żadnego rodzaju blokady.

⚠ System może również dostarczać powietrze potrzebne do spalania w sposób pośredni, np. z przyległych pokoi wyposażonych w opisane wyżej przewody cyrkulacji powietrza. Pokoje te nie mogą być jednak pokojami wspólnymi, sypialniami lub pokojami, w których występuje zagrożenie pożarowe.

⚠ Płynny gaz ziemny, jako cięższy od powietrza, opada na

podłogę. Dlatego też pomieszczenia, w których znajdują się butle z gazem LPG, muszą być wyposażone w wentylację, umożliwiającą migrację gazu w przypadku wystąpienia nieszczelności. Dlatego też, butle z gazem LPG, częściowo ani całkowicie pełne, nie mogą być instalowane ani przechowywane w pomieszczeniach ani obszarach przechowywania znajdujących się pod poziomem ziemi (w piwnicach itd.). Zaleca się przechowywanie wyłącznie butli użytkowanych w danym pomieszczeniu, umieszczonych w taki sposób, by nie były narażone na kontakt z zewnętrznymi źródłami ciepła (piekarnikiem, kominkiem, piecem itp.), co mogłyby doprowadzić do podniesienia temperatury butli powyżej 50°C.

W razie problemów z obracaniem pokręteł palników, należy skontaktować się z serwisem w celu wymiany zaworów palnika, jeżeli okażą się one wadliwe.

Nigdy nie zakrywać otworów używanych do wentylacji i dyspersji ciepła.

⚠ Przed wstawieniem urządzenia przyciąć szafkę i usunąć trociny i wióry.

⚠ Jeśli urządzenie nie zostało zainstalowane nad piekarnikiem, w szafce pod urządzeniem należy zamontować panel oddzielający (brak w zestawie).

PODŁĄCZENIE GAZU

⚠ **OSTRZEŻENIE:** Przed przystąpieniem do montażu należy upewnić się, że lokalne warunki dystrybucji (rodzaj gazu i ciśnienie gazu) oraz konfiguracja urządzenia są zgodne.

⚠ Sprawdzić, czy ciśnienie zasilającego gazu jest zgodne z wartościami podanymi w Tabeli „Specyfikacje palników i dysz”.

⚠ **OSTRZEŻENIE:** Warunki dostosowania tego urządzenia określono w tabeli (lub na tabliczce znamionowej).

⚠ **OSTRZEŻENIE:** Urządzenie to nie jest podłączone do wyciągu produktów spalania. być zamontowane i podłączone zgodnie z obowiązującymi przepisami instalacyjnymi. Szczególną uwagę należy zwrócić na odpowiednie wymagania dotyczące wentylacji.

⚠ Jeśli urządzenie jest podłączone do gazu płynnego, śruba regulacyjna powinna zostać dokręcona możliwie jak najmocniej.

⚠ **WAŻNE:** W przypadku montażu butli z gazem lub pojemnika z gazem należy je odpowiednio osadzić (orientacja pionowa).

⚠ **OSTRZEŻENIE:** Ta operacja powinna być przeprowadzona przez wykwalifikowanego technika.

⚠ Do podłączenia gazowego należy używać wyłącznie elastycznego lub sztywnego węża metalowego.

⚠ Połączenie ze sztywnym przewodem (miedzianym lub stalowym). Podłączenie do instalacji gazowej należy przeprowadzić tak, aby w żaden sposób nie obciążyć urządzenia. Na rampie zasilającej urządzenie znajduje się nastawne złącze przewodu w kształcie litery L a montuje się je razem z uszczelką, aby zapobiec przeciekom. Po obróceniu złącza przewodu, uszczelkę należy zawsze wymieniać (uszczelka jest dostarczona wraz z urządzeniem). Złącze przewodu zasilania gazem to gwintowane, męskie przyłącze gazowe 1/2.

⚠ Podłączenie giętkiego bezszwowego stalowego

przewodu do gwintowanego przyłączenia. Złącze przewodu zasilania gazem to gwintowane, męskie przyłącze gazowe 1/2. Przewody te muszą zostać zainstalowane w taki sposób, by przy pełnym rozwinięciu nie przekraczały 2000 mm długości. Po wykonaniu podłączeń należy upewnić się, że elastyczny przewód metalowy nie dotyka żadnych ruchomych części i nie jest poddawany naciskowi. Należy używać wyłącznie przewodów i uszczelek, które są zgodne z obowiązującymi przepisami krajowymi.

⚠ **WAŻNE:** W przypadku użycia węża ze stali nierdzewnej, należy go zainstalować w taki sposób, aby nie dotykał żadnej ruchomej części umeblowania (np. szafki). Musi on przechodzić przez obszar wolny od jakichkolwiek przeszkód i umożliwiający kontrolę na całej długości.

⚠ Urządzenie należy podłączyć do źródła zasilania gazowego lub butli gazowej zgodnie z obowiązującym przepisami krajowymi. Przed wykonaniem podłączenia, upewnić się, że urządzenie jest kompatybilne z zasilaniem gazu, jakie ma zostać użyte. W przeciwnym razie, należy postępować zgodnie z instrukcjami podanymi w rozdziale „Dostosowanie do różnych typów gazu”.

⚠ Po podłączeniu urządzenia do instalacji gazowej należy sprawdzić podłączenie pod kątem wycieków przy użyciu wody z mydłem. Zapalić palniki i przekręcić pokrętła od pozycji maksymalnej 1* do pozycji minimalnej 2*, aby sprawdzić stabilność płomienia.

DOSTOSOWANIE DO RÓŻNYCH TYPÓW GAZU

(Ta operacja musi być wykonana przez wykwalifikowanego technika).

⚠ W celu dostosowania urządzenia do rodzaju gazu innego niż ten dla którego zostało wyprodukowane (zaznaczono na tabliczce znamionowej) należy postępować zgodnie ze wskazówkami umieszczonymi pod rysunkami dotyczącymi instalacji urządzenia.

OSTRZEŻENIA DOTYCZĄCE ELEKTRYCZNOŚCI

⚠ **WAŻNE:** Informacje dotyczące poboru prądu i napięcia są umieszczone na tabliczce znamionowej.

⚠ Musi istnieć możliwość odłączenia urządzenia od źródła zasilania przez wyjęcie wtyczki (jeśli wtyczka jest dostępna) lub za pomocą dostępnego przełącznika wielobiegowego, zainstalowanego w przewodzie do gniazda zasilania zgodnie z obowiązującymi normami krajowymi; urządzenie musi także posiadać uziemienie zgodne z obowiązującymi normami krajowymi dotyczącymi sprzętu elektrycznego.

⚠ Przewód zasilający powinien mieć wystarczającą długość, aby umożliwić podłączenie zabudowanego urządzenia do sieci. Nie ciągnąć za przewód zasilający.

⚠ Nie stosować przedłużaczy, rozdzielaczy ani adapterów. Po zakończeniu instalacji użytkownik nie powinien mieć dostępu do podzespołów elektrycznych urządzenia. Nie korzystać z urządzenia, będąc mokrym lub bez obuwia. Nie uruchamiać urządzenia, jeżeli kabel zasilający lub wtyczka są uszkodzone, jeśli urządzenie nie działa prawidłowo lub jeśli zostało ono

uszkodzone bądź upuszczone.

⚠ Jeśli przewód zasilający jest uszkodzony, jego wymiana na identyczny powinna być przeprowadzona przez producenta, pracownika serwisu lub inną podobnie wykwalifikowaną osobę w celu uniknięcia niebezpieczeństwa – ryzyko porażenia prądem.


CZYSZCZENIE I KONSERWACJA

⚠ **OSTRZEŻENIE:** Sprawdzić, czy urządzenie zostało wyłączone i odłączone od źródła zasilania przed przystąpieniem do czynności konserwacyjnych; Nigdy nie należy stosować urządzeń czyszczących parą. Występuje ryzyko porażenia prądem.

⚠ Nie należy używać środków ściernych, żrących, środków na bazie chloru ani środków do szorowania.

⚠ Aby nie uszkodzić elektrycznego urządzenia zapłonowego, nie wolno go używać, gdy palniki nie są na swoich miejscach.


UTYLIZACJA OPAKOWANIA

Materiał, z którego zrobione jest opakowanie, w 100% nadaje się do recyklingu i jest oznaczony symbolem .

Części opakowania nie należy wyrzucać, lecz zutylizować zgodnie z przepisami określonymi przez lokalne władze.

UTYLIZACJA URZĄDZEŃ AGD

Urządzenie zostało wykonane z materiałów nadających się do recyklingu lub do ponownego użycia. Urządzenie należy utylizować zgodnie z miejscowymi przepisami dotyczącymi gospodarki odpadami. Aby uzyskać więcej informacji na temat utylizacji, odzyskiwania oraz recyklingu urządzeń AGD należy skontaktować się z lokalnym urzędem, punktem skupu złomu lub sklepem, w którym zakupiono urządzenie. To urządzenie jest oznaczone zgodnie z dyrektywą Unii Europejskiej 2012/19/UE w sprawie zużytego sprzętu elektrotechnicznego i elektronicznego (WEEE) oraz z przepisami dotyczącymi sprzętu elektrycznego i elektronicznego z 2013 r. (w brzmieniu zmienionym). Właściwa utylizacja urządzenia pomoże zapobiec ewentualnym negatywnym skutkom dla środowiska oraz zdrowia ludzkiego.

Symbol  na urządzeniu lub w dołączonej do niego dokumentacji oznacza, że urządzenia nie wolno traktować jak zwykłego odpadu domowego. Należy je przekazać do punktu zajmującego się utylizacją i recyklingiem urządzeń elektrycznych i elektronicznych.

WSKAZÓWKI DOTYCZĄCE OSZCZĘDZANIA ENERGII

Używać naczyń i patelni, których szerokość spodu jest równa szerokości strefy grzewczej.

Stosować tylko garnki i patelnie o płaskim dnie.

Jeśli to możliwe, podczas gotowania przykrywać naczynia pokrywkami.

Dzięki naczyniom ciśnieniowym można zmniejszyć zużycie energii i skrócić czas gotowania.

DEKLARACJA ZGODNOŚCI

To urządzenie spełnia wymagania: ekoprojektu z Rozporządzenia Komisji (UE) nr 66/2014 oraz rozporządzeń z 2019 r. dotyczących ekoprojektu dla produktów związanych z energią oraz informacji na temat energii (zmiana) (wyjście z UE), zgodnie z normą europejską EN 30-2-1.

Rodzaj stosowanego gazu	Rodzaj palnika	Oznakowanie dyszy	Znamionowa wydajność termiczna kW	Zużycie znamionowe	Znamionowa moc cieplna kW	Ciśnienie gazu mbar		
						min.	nom.	maks.
GAZ ZIEMNY (Metan) G20	Dużej mocy (R)	128 B	3,00	286 l/h	0,70	17	20	25
	Średni (SR)	97	1,75	167 l/h	0,40			
	Pomocniczy (AUX)	78 A	1,00	95 l/h	0,40			
	Podwójna korona (DC)	141	4,00	381 l/h	2,20			
GAZ ZIEMNY G2.350	Dużej mocy (R)	181	3,00	397 l/h	0,70	10	13	16
	Średni (SR)	135	1,75	231 l/h	0,40			
	Pomocniczy (AUX)	104 T2	1,00	132 l/h	0,40			
	Podwójna korona (DC)	205	4,00	529 l/h	2,20			
GAZ ZIEMNY G27	Dużej mocy (R)	143	3,00	348 l/h	0,70	16	20	23
	Średni (SR)	112	1,75	203 l/h	0,40			
	Pomocniczy (AUX)	85 T2D	1,00	116 l/h	0,40			
	Podwójna korona (DC)	158	4,00	464 l/h	2,20			
GAZ LPG (Butan) G30	Dużej mocy (R)	85 A	3,00	218 g/h	0,85	25	37	45
	Średni (SR)	63	1,75	127 g/h	0,50			
	Pomocniczy (AUX)	47	1,00	73 g/h	0,45			
	Podwójna korona (DC)	95 A	4,00	291 g/h	2,20			
GAZ LPG (Propan) G31	Dużej mocy (R)	85 A	3,00	214 g/h	0,85	25	37	45
	Średni (SR)	63	1,75	125 g/h	0,50			
	Pomocniczy (AUX)	47	1,00	71 g/h	0,45			
	Podwójna korona (DC)	95 A	4,00	286 g/h	2,20			

Rodzaj stosowanego gazu	Konfiguracja modelu 5 PALNIKÓW	Znamionowa wydajność termiczna (kW)	Zużycie znamionowe całkowite	Objętość powietrza (m ³) wymagana do spalania 1m ³ gazu
G20 20 mbar	1R - 2SR - 1AUX - 1DC	11,50	1095 l/h	9,52
G2.350 13 mbar	1R - 2SR - 1AUX - 1DC	11,50	1521 l/h	6,85
G27 20 mbar	1R - 2SR - 1AUX - 1DC	11,50	1335 l/h	7,90
G30 37 mbar	1R - 2SR - 1AUX - 1DC	11,50	836 g/h	30,94
G31 37 mbar	1R - 2SR - 1AUX - 1DC	11,50	821 g/h	23,80

ZASILANIE ELEKTRYCZNE: 220-240 V ~ 50-60 Hz - 0,6 W

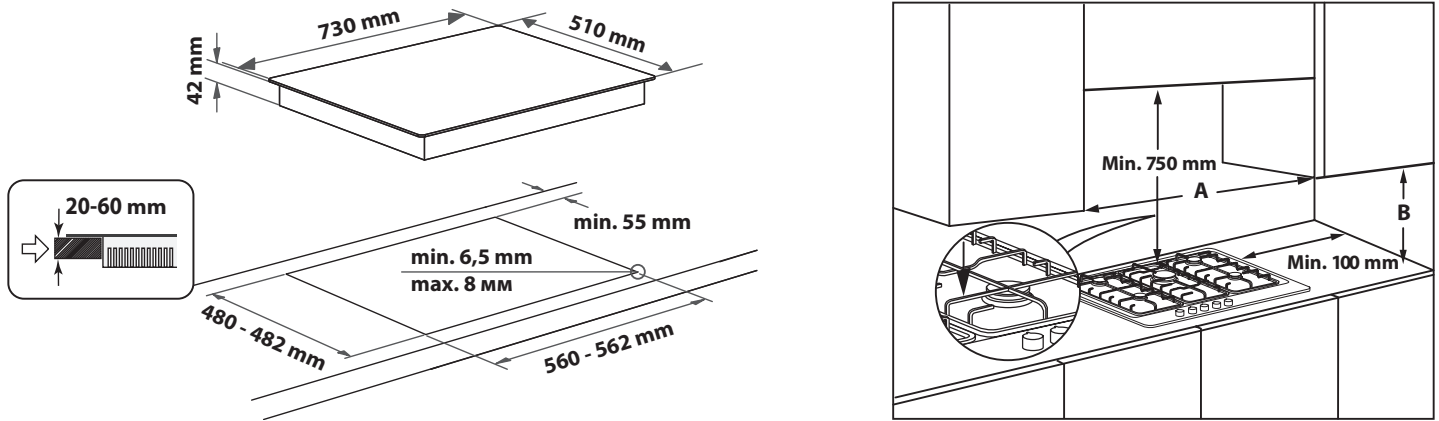


INSTALACJA (KLASA 3)

INFORMACJE TECHNICZNE DLA INSTALATORA

- Podczas przenoszenia, przygotowania i instalowania urządzenia należy używać rękawic ochronnych.
- Niniejsze urządzenie można osadzać w blatach roboczych o grubości od 20 do 60 mm.
- Jeśli pod płytą kuchenną nie ma piekarnika, należy zainstalować płytę oddzielającą, której powierzchnia jest co najmniej równa otworowi w blacie roboczym. Odległość pomiędzy ww. płytą oddzielającą, która musi całkowicie pokrywać wycięcie, aby zapobiec kontaktowi ze spodem płyty kuchennej, a górną powierzchnią blatu roboczego nie może przekraczać 150 mm. W żadnym przypadku odległość pomiędzy płytą oddzielającą a dolną częścią płyty kuchennej nie może być mniejsza od 20 mm. Jeżeli użytkownik zamierza zainstalować piekarnik pod płytą kuchenną, powinno to być urządzenie wyposażone w układ chłodzenia.

OBLIGATORYJNE WYMIARY I ODLEGŁOŚCI



UWAGA: Jeśli odległość "A" pomiędzy szafkami ściennymi mieści się w przedziale od 600 mm do 730 mm, to wysokość "B" musi wynosić minimum 530 mm. Jeśli odległość "A" pomiędzy szafkami ściennymi jest większa od szerokości płyty, to wysokość "B" musi wynosić co najmniej 400 mm. W razie instalowania okapu nad płytą prawidłową odległość należy sprawdzić w instrukcji okapu.

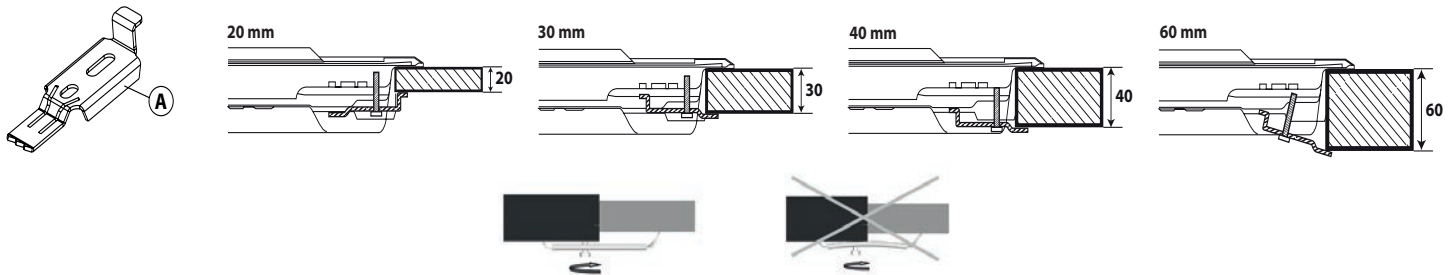
MONTAŻ

Po oczyszczeniu powierzchni na obwodzie należy zamontować dostarczoną uszczelkę na płycie kuchennej.

Ustawić płytę kuchenną w otworze blatu roboczego przestrzegając wymiarów podanych w karcie opisowej urządzenia.

Uwaga: Przewód zasilający musi być wystarczająco długi, aby umożliwić wyjęcie płyty do góry.

Aby zamocować płytę kuchenną, należy użyć dostarczonych w zestawie elementów mocujących (A). Przymocować elementy do odpowiednich otworów wskazanych strzałką, a następnie przykręcić wkrętami w zależności od grubości blatu roboczego (patrz poniższe rysunki).

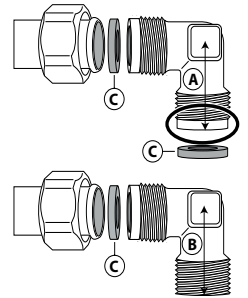


PODŁĄCZENIE GAZOWE

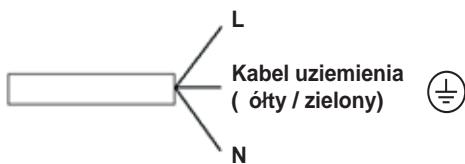
- Podłączyć kolanko (A)* lub (B)* dostarczone z główną rurą wlotową płyty, używając dołączonej podkładki (C), zgodnie z EN 549.

*** We Francji należy użyć kolanka (A), natomiast w innych krajach należy użyć kolanka (B).**

- Po podłączeniu do sieci gazowniczej należy sprawdzić szczelność za pomocą wody z mydłem. Zapalić palniki i przekręcić pokrętkę od pozycji maksymalnej do pozycji minimalnej aby sprawdzić stabilność płomienia.



PODŁĄCZENIE ELEKTRYCZNE



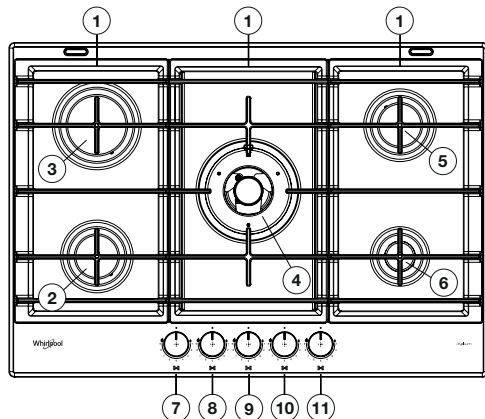
**DZIĘKUJEMY ZA ZAKUP PRODUKTU WHIRLPOOL**

W celu uzyskania kompleksowej pomocy prosimy zarejestrować urządzenie na stronie www.whirlpool.eu/register.

W CELU UZYSKANIA SZCZEGÓŁOWYCH INFORMACJI, NALEŻY ZESKANOWAĆ KOD QR NA URZĄDZENIU



Przed użyciem urządzenia należy uważnie przeczytać instrukcję bezpieczeństwa.

OPIS PRODUKTU

1. Zdejmowane kratki do stawiania naczyń
2. Palnik Średni
3. Palnik Dużej mocy
4. Palnik 2-Pierścieniowy
5. Palnik Średni
6. Palnik Pomocniczy
7. Pokrętko regulacji palnika średniego
8. Pokrętko regulacji palnika dużej mocy
9. Pokrętko regulacji palnika 2-Pierścieniowego
10. Pokrętko regulacji palnika średniego
11. Pokrętko regulacji palnika pomocniczego

Symbole

- Wypełnione kółko ● Zawór zamknięty
- Duży płomień Maksymalne otwarcie/podawanie i elektryczny zapłon
- Mały płomień Minimalne otwarcie lub obniżone dostarczanie

**CODZIENNA EKSPLOATACJA****JAK KORZYSTAĆ Z PŁYTY**

Nie dopuszczać, aby płomień palnika wychodził poza krawędź dna naczynia.

WAŻNE: gdy płyta pracuje, cały jej obszar może być gorący.

- Aby zapalić jeden z palników, należy obrócić odpowiednie pokrętko przeciwnie do ruchu wskazówek zegara, w położenie maksymalnego płomienia.
- Nacisnąć pokrętko w kierunku do pulpitu sterującego, aby dokonać zapłonu palnika.
- Po zapłonie palnika trzymać pokrętko wciśnięte przez ok. 5-10 sekund, aby umożliwić prawidłowe zadziałanie mechanizmu.
- Zabezpieczenie, w które jest wyposażony palnik, zablokuje wypływ gazu w sytuacji przypadkowego zgaśnięcia (podmuchy powietrza, chwilowy brak gazu, wykipienie płynów itd.).
- **Nie wciskać pokrętła na dłużej niż 15 s. Jeżeli po upływie tego czasu palnik gaśnie, należy odczekać co najmniej jedną minutę przed podjęciem następnej próby zapłonu. W razie przypadkowego zgaszenia płomienia, wyłączyć pokrętko palnika i odczekać co najmniej minutę przed ponownym włączeniem.**

UWAGA: Jeżeli parametry gazu dostarczanego w danym regionie powodują, że zapłon palnika jest utrudniony, zaleca się wykonanie ponownego zapłonu, ale przy położeniu pokrętła na symbolu małego płomienia.

Palnik może zgasnąć po zwolnieniu pokrętła. Oznacza to, że mechanizm zabezpieczający nie rozgrzał się w wystarczającym stopniu. W takim przypadku należy powtórzyć czynności opisane powyżej.

W przypadku przypadkowego zgaśnięcia płomienia palnika, zakręcić pokrętko sterujące i ponowić próbę zapalenia po upływie przynajmniej 1 minuty.

PORADY PRAKTYCZNE UŻYTKOWANIA PALNIKÓW

Płyta została wyposażona w palniki o różnych średnicach. W celu zapewnienia optymalnej wydajności palników należy przestrzegać następujących zasad:

- korzystać z garnków i patelni o szerokości dna takiej samej lub nieco większej od szerokości palników (patrz tabela po prawej stronie),
- używać wyłącznie garnków i patelni z płaskim dnem;
- do gotowania używać odpowiedniej ilości wody i przykrywać garnek pokrywą;
- upewnić się, że garnki stojące na kratkach nie wystają poza krawędź płyty, w przypadku patelni z wypukłym dnem (woków) należy korzystać z kratki podpierającej (brak w komplecie), którą należy umieszczać wyłącznie na palniku 2-pierścieniowym,
- unikać przypadkowych uderzeń garnkami, rusztami lub innymi przyrządami kuchennymi;
- nie zostawiać pustej patelni grillowej na palniku na dłużej niż 5 minut.

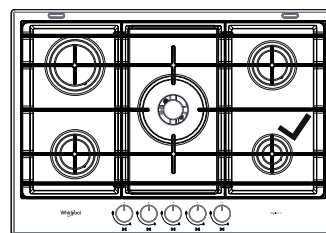
WAŻNE: nieprawidłowe używanie kratek może powodować uszkodzenie płyty; nie kłaść kraterk spodem do góry ani nie przesuwać ich po powierzchni płyty.

PALNIK	Ø GARNKA
Podwójna korona	Od 24 do 26 cm
Dużej mocy	Od 24 do 26 cm
Średni	Od 16 do 22 cm
Pomocniczy	Od 8 do 14 cm

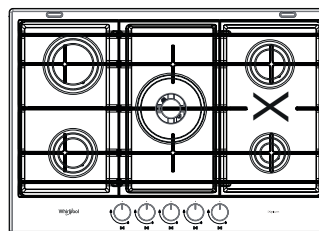
Nie należy używać:

- Żeliwnych form do pieczenia, kamiennych płyt, garnków i patelni z terakoty.
- Rozpraszaczy ciepła takich jak siatki metalowe i inne.
- Jednocześnie dwóch palników do jednego naczynia (np. kocioł do gotowania ryb).

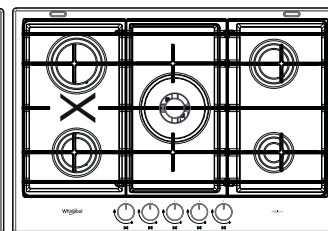
PRAWDŁOWE UMIESZCZENIE ZDEJMOWANYCH KRATEK DO STAWIANIA NACZYŃ



OK



NO



NO

USTAWIANIE DO RÓŻNYCH RODZAJÓW GAZU

⚠ Ta czynność powinna być wykonana przez wykwalifikowanego technika. Jeżeli urządzenie ma pracować z wykorzystaniem gazu innego typu niż podany na tabliczce znamionowej oraz naklejce informacyjnej znajdującej się na górze płyty kuchennej, należy wymienić dysze. Naklejkę informacyjną należy zdjąć i przechowywać łącznie z instrukcją obsługi.

Należy zastosować reduktory gazu odpowiednie dla ciśnień podanych w instrukcji:

- Dyszegazowemusząbyćwymienianewserwisielubprzezwykwalifikowanego technika.
- Dysze, które nie zostały dostarczone wraz z urządzeniem, muszą być zamówione w serwisie.
- Regulacja minimalnego ustawienia zaworów.

UWAGA: Jeżeli używany jest gaz LPG (G30/G31), śruba regulacji minimalnego ustawienia gazu musi zostać wkręcona do oporu.

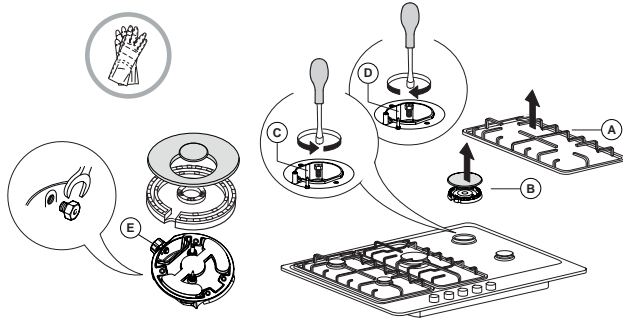
WAŻNE: W razie problemów z obracaniem pokręteł palników należy skontaktować się z serwisem w celu wymiany zaworów palnika, jeżeli okażą się one wadliwe.

WAŻNE: W przypadku korzystania z gazu w butlach należy zapewnić odpowiednie ustawienie butli (w pozycji pionowej).

WYMIANA DYSZ (patrz tabela dysz we Wskazówkach dotyczących bezpieczeństwa)

⚠ Ta czynność powinna być wykonana przez wykwalifikowanego technika.

- Zdjąć ruszt (A).
- Wyjąć palniki (B).
- Odpowiednim kluczem nasadowym odkręcić dyszę (C) do wymiany.
- Dokonać wymiany na dyszę odpowiednią dla nowego rodzaju gazu.
- Ponownie zamontować dyszę (D).
- W przypadku palnika z wieloma koronami należy użyć klucza płaskiego do wymiany dyszy (E).



Przed zainstalowaniem płyty kuchennej pamiętać o przymocowaniu płytki kalibracji gazu dostarczonej wraz z dyszami w taki sposób, aby przykryła ona obecną informację dotyczącą kalibracji gazu.

REGULACJA MINIMALNYCH USTAWIEŃ GAZU W ZAWORACH

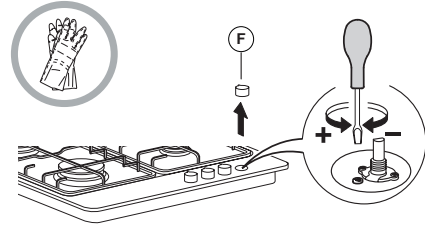
⚠ Ta czynność powinna być wykonana przez wykwalifikowanego technika. Regulacji należy dokonywać, gdy zawór jest ustawiony na pozycji minimalnego gazu (mały płomień).

Powietrze pierwotne palników nie wymaga regulacji.

Aby upewnić się, że ustawienie minimalne jest prawidłowo wyregulowane, należy zdjąć pokrętło (F) i wykonać następujące czynności:

- dokręcić (-), aby zredukować wysokość płomienia;
- poluzować (+), aby zwiększyć wysokość płomienia.

Na tym etapie należy zapalić palniki i przekręcić pokrętła od pozycji maksymalnej do pozycji minimalnej aby sprawdzić stabilność płomienia.



Po zakończeniu regulacji, należy dokonać ponownego uszczelnienia używając kitu próżniowego lub równoważnego materiału.

TABELA GOTOWANIA

POZIOM	METODY/RODZAJE GOTOWANIA (SUGEROWANE DLA)	WSKAZÓWKI DOTYCZĄCE GOTOWANIA
1-2	PODGRZEWANIE	Idealne do zmiękczenia masła, delikatnego roztapiania czekolady w kąpielii wodnej, rozmrażania małych porcji, zagęszczania risotto.
	DELIKATNE GOTOWANIE	
3-4	GOTOWANIE NA WOLNYM OGNIU	Idealne do wolno gotujących się potraw (ryż, sosy, pieczenie, ryby) z płynnymi dodatkami (np. wodą, winem, bulionem), oraz do zagęszczania dań z makaronu, delikatnego gotowania.
	DUSZENIE	
5-6	PIECZENIE	Idealne do smażenia w małej ilości tłuszczu, duszenia warzyw, dłuższego gotowania, podgrzewania akcesoriów kuchennych, gotowania aż do zagęszczenia potrawy.
	SMAŻENIE	
7-8	SMAŻENIE W RUCHU	Doskonały do przyrumieniania, podgotowywania, smażenia produktów głęboko zamrożonych, grillowania mięs i ryb, szybkiego doprowadzania płynów do wrzenia.
	GRILLOWANIE	
9	SZYBKIE PODGRZEWANIE	Idealne do szybkiego podwyższenia temperatury jedzenia lub do podgrzewania płynów (np. wody).

CZYSZCZENIE I KONSERWACJA

 Odlączyć urządzenie od zasilania.

CZYSZCZENIE POWIERZCHNI PŁYTY KUCHENNEJ

- Wszystkie części emaliowane i szklane należy czyścić ciepłą wodą i neutralnym roztworem.
- Powierzchnie ze stali nierdzewnej mogą ulec odbarwieniu w wyniku zbyt długiego kontaktu z zakamienioną wodą lub agresywnymi detergentami. Wszelkie rozlane resztki potraw (woda, sos, kawa, itp.) należy wytrzeć zanim zaschną.
- Czyścić ciepłą wodą z neutralnym detergentem, a następnie osuszyć miękką ściereczką lub irchą. Przypieczony brud należy usuwać przy pomocy specjalnych czyścików do powierzchni ze stali nierdzewnej.

Uwaga: Stal nierdzewną czyścić jedynie miękką ściereczką lub gąbką.

- Nie używać środków ściernych i żrących, czyścików na bazie chloru ani druciaków do patelni.
- Nie korzystać z urządzeń czyszczących parą.
- Nie stosować produktów łatwopalnych.
- Nie pozostawiać na płycie rozlanych substancji kwaśnych lub alkalicznych, jak np. octu, musztardy, soli, cukru lub soku cytrynowego.

CZYSZCZENIE ELEMENTÓW PŁYTY

- Ruszty, korony palników i palniki można zdemontować do czyszczenia.
- Należy je czyścić ręcznie ciepłą wodą z nieściernym detergentem. Ostrożnie usuwać wszelkie pozostałości żywności. Sprawdzić, czy żaden z otworów palników nie jest zatkany.
- Ostrożnie opłukać i wysuszyć.
- **Ruszty żeliwne można myć w zmywarce. Usunąć wszelkie przypalone potrawy przed umieszczeniem rusztów w najniższym koszu zmywarki.**
- Zainstalować palniki i grzybki palników w prawidłowy sposób, umieszczając je w odpowiednich miejscach.
- Przy zakładaniu kratek należy upewnić się, czy miejsca na naczynia są wyrównane z palnikami.
- Modele wyposażone w elektryczne świece zapłonowe oraz urządzenie zabezpieczające wymagają dokładnego czyszczenia końcówek świec, w celu zapewnienia ich prawidłowego działania. Elementy te należy często kontrolować i czyścić wilgotną ściereczką w miarę potrzeb. Przypieczoną żywność należy usuwać wykałaczką lub igłą.

Uwaga: Aby nie uszkodzić elektrycznego urządzenia zapłonowego, nie wolno go używać, gdy palniki nie są na swoich miejscach.

USUWANIE USTEREK

Jeśli płyta nie pracuje prawidłowo, przed wezwaniem serwisu należy zapoznać się z instrukcją wyszukiwania i usuwania usterek, aby ustalić na czym polega problem.

1. Nie można zapalić palnika lub płomień jest nierównomierny

Sprawdzić, czy:

- zasilanie gazowe lub elektryczne nie są odcięte, zwłaszcza jeżeli zawór na linii gazowej jest otwarty.
- butla gazowa (gaz LPG) nie jest pusta.
- otwory palników nie są zatkane.
- końcówka świecy nie jest brudna.
- wszystkie elementy palnika zostały prawidłowo ustawione.
- nie ma przeciągów w pobliżu kuchenki.

2. Palnik gaśnie

Sprawdzić, czy:

- podczas zapalania palnika pokrętko zostało przytrzymane wystarczająco długo, aby uaktywnić zabezpieczenie.
- otwory palnika nie są zatkane w pobliżu termoelementu.
- końcówka urządzenia zabezpieczającego nie jest zanieczyszczona.
- ustawienie minimalne gazu jest prawidłowe (patrz stosowny rozdział).

3. Pojemniki nie są stabilne

Sprawdzić, czy:

- dno pojemnika jest idealnie płaskie
- pojemnik jest ustawiony centralnie nad palnikiem.
- ruszty nie zostały zamienione lub ustawione nieprawidłowo.

Jeśli pomimo powyższych zabiegów usterka wciąż się powtarza, należy skontaktować się z najbliższym serwisem technicznym.

SERWIS TECHNICZNY

W celu uzyskania kompleksowej pomocy prosimy zarejestrować urządzenie na stronie www.whirlpool.eu/register.

PRZED SKONTAKTOWANIEM SIĘ Z SERWISEM NALEŻY:

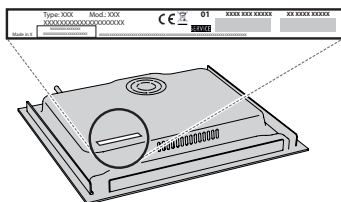
1. Sprawdzić, czy nie można samodzielnie rozwiązać problemu, zgodnie z zaleceniami opisanymi w paragrafie **USUWANIE USTEREK**.
2. Wyłączyć i ponownie włączyć urządzenie, aby sprawdzić, czy usterka nie ustąpiła.

JEŚLI PO PRZEPROWADZENIU POWYŻSZYCH CZYNNOŚCI URZĄDZENIE NADAL NIE DZIAŁA PRAWIDŁOWO, NALEŻY SKONTAKTOWAĆ SIĘ Z NAJBLIŻSZYM AUTORYZOWANYM SERWISEM TECHNICZNYM.

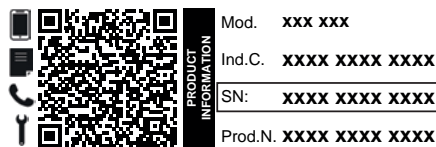
Aby otrzymać pomoc, należy zadzwonić pod numer znajdujący się w karcie gwarancyjnej lub postępować zgodnie z instrukcjami zamieszczonymi na stronie www.whirlpool.eu.

Kontaktując się z naszym serwisem posprzedażnym, należy zawsze podać:

- krótki opis usterki;
- dokładny typ i model urządzenia;



- numer seryjny (numer po literach „SN” na tabliczce znamionowej znajdującej się pod urządzeniem). Numer seryjny jest również podany w dokumentacji;



- dokładny adres;
- numer telefonu

Jeśli konieczna będzie naprawa, należy zwrócić się do autoryzowanego serwisu technicznego (zapewni to gwarancję zastosowania oryginalnych części zamiennych oraz właściwie przeprowadzonej naprawy).

Zasady, standardową dokumentację oraz dodatkowe informacje o produkcie można znaleźć:

- Korzystanie z kodu QR w urządzeniu;
- Odwiedzając naszą stronę internetową docs.whirlpool.eu/docs;
- Ewentualnie można, **skontaktować się naszą obsługą posprzedażową** (patrz numer telefonu w książeczce gwarancyjnej). W przypadku kontaktu z naszą obsługą posprzedażową, prosimy podać kody z tabliczki znamionowej produktu.



⚠ Tyto pokyny platí v případě, pokud je na spotřebiči uveden symbol země. Pokud takový symbol na přístroji není, je třeba nahlédnout do technických pokynů, kde naleznete potřebné informace týkající se úpravy nastavení spotřebiče na podmínky pro používání v dané zemi.

⚠ **UPOZORNĚNÍ:** Použití plynového sporáku vede k produkci tepla, vlhkosti a produktů spalování v místnosti, ve které je instalován. Ujistěte se, že je kuchyň dobře větraná, zvláště je-li spotřebič v provozu: ponechte otevřené otvory pro přirozenou ventilaci, nebo nainstalujte mechanické ventilační zařízení (mechanickou odtahovou digestoř). Dlouhé a intenzivní používání přístroje může vyžadovat další způsob větrání, například otevření okna, popřípadě efektivnější ventilaci zvýšením úrovně mechanické ventilace tam, kde je k dispozici.

⚠ Pokud se nebudete přesně řídit informacemi v této příručce, může dojít k požáru nebo výbuchu s následkem poškození majetku nebo zranění osob.

Před použitím spotřebiče si přečtěte tyto bezpečnostní pokyny. Mějte je při ruce pro účely pozdějšího použití.

V těchto pokynech a na samotném spotřebiči jsou uvedena důležitá bezpečnostní upozornění, která je třeba za všech okolností dodržet. Výrobce odmítá nést jakoukoli odpovědnost za poruchy, které byly způsobeny nedodržením bezpečnostních pokynů, nevhodným používáním spotřebiče nebo nesprávným nastavením ovladačů.

⚠ **VÝSTRAHA:** Pokud je varný povrch popraskaný, zařízení nepoužívejte. Riziko elektrického šoku.

⚠ **VÝSTRAHA:** Nebezpečí požáru: Na varném povrchu neskladujte žádné předměty.

⚠ **UPOZORNĚNÍ:** Proces vaření musí probíhat pod kontrolou. Krátké vaření musí být neustále monitorováno.

⚠ **VÝSTRAHA:** Vaření pokrmů s obsahem tuku nebo oleje bez dozoru na varné desce může být nebezpečné. Riziko požáru! NIKDY se nepokoušejte hasit oheň vodou. Spotřebič vypněte a pak plamen přikryjte pokličkou nebo hasící dekou.

⚠ Varnou plochu nepoužívejte jako pracovní plochu nebo oporu. Do blízkosti spotřebiče nepokládejte oděvy nebo jiné hořlavé materiály, dokud veškeré součásti zcela nevychladnou. Riziko požáru!

⚠ Velmi malé děti (0–3 roky) je třeba držet v bezpečné vzdálenosti od spotřebiče. Malé děti (3–8 let) by se neměly ke spotřebiči přibližovat, pokud nejsou pod dozorem. Děti starší 8 let a osoby s fyzickým, smyslovým či duševním postižením nebo bez patřičných zkušeností a znalostí mohou tento spotřebič používat pouze pod dohledem nebo tehdy, pokud obdržely informace o bezpečném použití spotřebiče a rozumějí rizikům, která s jeho používáním souvisejí. Nedovolte dětem, aby si se spotřebičem hrály. Nedovolte dětem, aby bez dohledu prováděly čištění a běžnou údržbu spotřebiče.

⚠ **UPOZORNĚNÍ:** V případě, že praskne sklo plotýnky: okamžitě vypněte všechny hořáky a všechny elektrické topné články a odpojte spotřebič od elektrické sítě, nedotýkejte se povrchu spotřebiče, spotřebič nepoužívejte.

Skleněné víko se při zahřátí může rozlomit. Před zavřením víka vypněte všechny hořáky a elektrické ploténky. Víko nezavírejte, pokud hořák hoří.

⚠ **VÝSTRAHA:** Spotřebič a jeho přístupné součásti se při použití zahřívají. Je třeba dbát opatrnosti, abyste se nedotkli topných těles. Děti mladší 8 let se nesmějí ke spotřebiči přibližovat, pokud nejsou pod dohledem dospělé osoby.

⚠ Jídlo nesmí zůstat uvnitř výrobku nebo být na výrobku položeno déle než jednu hodinu před jeho tepelnou úpravou či po jejím dokončení.

POVOLENÉ POUŽITÍ

⚠ **UPOZORNĚNÍ:** Tento spotřebič není určen k řízení pomocí externího zařízení, jako je např. časovač, nebo samostatného systému dálkového ovládání.

⚠ Tento spotřebič je určen k použití v domácnostech a zařízeních, jako jsou: kuchyňské kouty pro zaměstnance v obchodech, kancelářích a na jiných pracovištích; statky; klienty hotelů, motelů, zařízení typu „bed & breakfast“ a jiných rezidenčních prostředích.

⚠ Není přípustné jej používat jiným způsobem (např. k vytápění místnosti).

⚠ Tento spotřebič není určen k profesionálnímu použití. Spotřebič nepoužívejte venku.

⚠ Používejte nádoby s průměrem dna stejným, jako je průměr varné zóny hořáku, nebo jen nepatrně větším (viz zvláštní tabulka). Dbejte na to, aby nádoby na mřížce nepřesahovaly okraj varné desky.

⚠ Nevhodné použití mřížek může plotnu poškodit: Nepokládejte mřížky na varnou desku obráceně ani je po desce neposouvejte.

Plamen hořáku nesmí přesahovat za okraj dna hrnce či pánve. Pokud je povrch varné desky vyroben ze skleněného materiálu, nepoužívejte litinové rošty, keramické kameny a terakotové hrnce nebo pánve.

Nepoužívejte: rozptylovače tepla, jako jsou kovové mřížky apod.; dva hořáky současně na jednu nádobu (např. hrnec na ryby).

Pokud konkrétní místní podmínky dodávky plynu znesnadňují zapálení hořáku, doporučujeme zopakovat postup s ovladačem nastaveným na malý plamen.

V případě instalace digestoře nad horní panel sporáku naleznete údaje o správné vzdálenosti digestoře od panelu sporáku v návodu k digestoři.

Malé děti by se při hře s ochrannými gumovými nožičkami na mřížkách mohly udusit. Po odstranění mřížek se prosím ujistěte, že všechny patky jsou správně nasazeny.

INSTALACE

⚠ Stěhování a instalace spotřebiče vyžaduje minimálně dvě osoby – nebezpečí zranění. Při rozbalování a instalaci používejte ochranné rukavice – nebezpečí pořezání.

⚠ Připojení elektřiny a plynu musí být v souladu s místními předpisy.

⚠ Instalaci, včetně připojení přívodu vody (pokud nějaký existuje) a elektřiny, a opravy musí provádět kvalifikovaný technik. Neopravujte ani nevyměňujte žádnou část spotřebiče, pokud to není výslovně uvedeno v návodu

k použití. Nedovolte dětem, aby se přibližovaly k místu instalace. Po vybalení spotřebiče se přesvědčte, že nebyl při dopravě poškozen. V případě problémů se obraťte na prodejce nebo na nejbližší servisní středisko. Po instalaci musí být obalový materiál (plasty, polystyrenová pěna atd.) uložen mimo dosah dětí – nebezpečí udušení. Před zahájením instalace je nutné spotřebič odpojit od elektrické sítě – nebezpečí úrazu elektrickým proudem. Během instalace se ujistěte, že zařízení nepoškozuje napájecí kabel – nebezpečí požáru a úrazu elektrickým proudem. Zařízení nezapínejte, dokud nebyla ukončena instalace.

⚠ **VÝSTRAHA:** Modifikace spotřebiče a způsob jeho instalace mají za účelem bezpečného a správného používání spotřebiče ve všech dalších zemích zásadní důležitost.

⚠ Používejte regulátory tlaku vhodné pro tlak plynu uvedený v pokynech.

⚠ Místnost musí být vybavena systémem odsávání vzduchu, který vypudí veškeré spaliny. Může to být digestoř nebo elektrický ventilátor, které se zapnou automaticky s každým zapnutím spotřebiče.

⚠ Místnost musí také umožňovat správnou cirkulaci vzduchu, protože ten je zapotřebí k tomu, aby spalování probíhalo normálně. Průtok vzduchu nesmí být nižší než 2 m³/h na kW instalovaného výkonu.

⚠ Systém cirkulace vzduchu může odebírat vzduch přímo zvenčí, a to pomocí trubky s vnitřním průřezem alespoň 100 cm²; otvor nesmí být náchylný k zablokování.

⚠ Systém může vzduch potřebný pro spalování dodávat rovněž nepřímou, tj. z přilehlých místností vybavených vzduchovými cirkulačními trubkami, jak je popsáno výše. Nesmí se však jednat o prostory, jako jsou společenské místnosti, ložnice nebo místnosti, které představují nebezpečí požáru.

⚠ Kapalný ropný plyn klesá k podlaze, neboť je těžší než vzduch. Proto musí být místnosti, ve kterých se nacházejí láhve s LPG, rovněž vybaveny větracími otvory, které umožní odvětrání plynu v případě jeho úniku. V důsledku toho nesmí být láhve s LPG, ať již částečně či zcela naplněné, instalovány nebo skladovány v místnostech nebo skladovacích prostorách, které se nacházejí pod úrovní země (ve sklepech apod.). Doporučujeme vám ponechat v místnosti pouze láhev, kterou právě používáte a která je umístěna tak, aby nebyla vystavena působení tepla ze strany externích zdrojů (trub, krbů, sporáků atd.), jejichž prostřednictvím by mohlo dojít ke zvýšení teploty láhve nad 50 °C.

Pokud jdou ovladače hořáků otáčat jen ztuha, obraťte se prosím na náš prodejní servis; v případě shledání závady bude nutné ventil hořáku vyměnit. Otvory používané pro větrání a rozptylování tepla se nikdy nesmí zakrývat.

⚠ Je-li nutné skříňku, do které bude zařízení umístěno, přizpůsobit, proveďte tyto práce ještě předtím, než jej do skříňky zasunete. Následně odstraňte všechny dřevěné třísky a piliny.

⚠ Pokud není spotřebič nainstalován nad troubou, pod spotřebič je třeba nainstalovat i oddělovací panel (není součástí balení).

PŘIPOJENÍ PLYNU

⚠ **VÝSTRAHA:** Před prováděním instalace se ujistěte, že místní distribuční podmínky (druh plynu a jeho tlak) a

nastavení spotřebiče si odpovídají.

⚠ Zkontrolujte, zda přívodní tlak plynu odpovídá hodnotám uvedeným v tabulce „Specifikace hořáku a trysek“.

⚠ **VÝSTRAHA:** Podmínky nastavení vztahující se k tomuto zařízení jsou uvedeny na etiketě (nebo výrobním štítku).

⚠ **VÝSTRAHA:** Tento spotřebič není připojen k zařízení pro odvod produktů spalování. Je třeba jej nainstalovat a připojit v souladu s aktuálními předpisy pro instalaci. Je třeba věnovat zvláštní pozornost příslušným požadavkům na odvětrávání.

⚠ Pokud jsou spotřebiče připojeny k zásobníku kapalného plynu, je třeba co nejvíce utáhnout regulační šroub.

⚠ **DŮLEŽITÉ:** V případě použití tlakové láhve musí být tlaková láhev správně usazena (ve svislé poloze).

⚠ **VÝSTRAHA:** Tento úkon musí provést kvalifikovaný technik.

⚠ K připojení plynu použijte pouze ohebnou nebo pevnou kovovou hadici.

⚠ Připojení k pevnému potrubí (měděnému nebo ocelovému) Připojení k plynovému systému musí být provedeno tak, aby bylo vyloučeno jakékoli zatížení přístroje. Na plošině spotřebiče pro zásobník plynu se nachází nastavitelná potrubní armatura ve tvaru L opatřená těsněním chránícím před úniky. Po otočení potrubní armatury je třeba těsnění vždy vyměnit (těsnění se dodává společně se spotřebičem). Potrubní armatura pro přívod plynu je opatřena vnějším půlpalcovým závitem.

⚠ Připojení flexibilní trubky bez svarů z nerezavějící oceli k závitovému nástavci Potrubní armatura pro přívod plynu je opatřena vnějším půlpalcovým závitem. Tyto trubky musejí být instalovány tak, aby při svém plném roztažení nikdy nepřesáhly délku 2 000 mm. Poté, co připojení zrealizujete, ujistěte se, že se ohebná kovová trubka nedotýká žádných pohyblivých součástí a nic na ni netlačí. Používejte pouze takové trubky a těsnění, která odpovídají aktuálním národním předpisům.

⚠ **DŮLEŽITÉ:** Pokud použijete hadici z nerezové oceli, musí být instalována tak, aby se nedotýkala žádné pohyblivé části nábytku (např. zásuvky). Hadice musí procházet prostorem bez překážek a tak, aby bylo možné ji kontrolovat po celé její délce.

⚠ Spotřebič by měl být k hlavnímu přívodu plynu nebo plynové láhvi připojen v souladu s platnými národními předpisy. Před realizací připojení se ujistěte, že je spotřebič kompatibilní s dodávkou takového plynu, který hodláte použít. Pokud tomu tak není, postupujte podle pokynů uvedených v odstavci „Přizpůsobení pro jiné typy plynových paliv“.

⚠ Po připojení k přívodu plynu zkontrolujte případné netěsnosti pomocí mýdlové vody. Vyzkoušejte stálost plamene tak, že hořáky zapálíte a otočíte ovládací knoflíky z maximální polohy 1* do minimální polohy 2*.

PŘIZPŮSOBENÍ PRO JINÉ TYPY PLYNOVÝCH PALIV

(Tento úkon musí provést kvalifikovaný technik).

⚠ Za účelem přizpůsobení spotřebiče jinému typu plynu, než je ten, pro který byl vyroben (je vyznačeno na

typovém štítku), postupujte podle příslušných kroků uvedených v instalačních výkresech.

UPOZORNĚNÍ NA PŘERUŠENÍ DODÁVKY ELEKTRICKÉ ENERGIE

⚠ DŮLEŽITÉ: Informace o spotřebě proudu a napětí je uvedena na typovém štítku.

⚠ V souladu s národními bezpečnostními normami týkajícími se elektrických zařízení musí být možné odpojit spotřebič od elektrické sítě vytažením zástrčky, pokud je zástrčka přístupná, nebo, v souladu s pravidly pro zapojování, prostřednictvím vícepólového vypínače umístěného před zásuvkou a spotřebič musí být uzemněn.

⚠ Napájecí kabel musí být natolik dlouhý, aby umožnil připojení spotřebiče zabudovaného do skříňky k elektrické síti. Nikdy netahejte za napájecí kabel.

⚠ Nepoužívejte prodlužovací kabely, sdružené zásuvky nebo adaptéry. Po provedení instalace nesmí být elektrické prvky spotřebiče pro uživatele přístupné. Nepoužívejte spotřebič, pokud jste mokří nebo naboso. Tento spotřebič nezapínejte, pokud je poškozen napájecí síťový kabel či zástrčka, pokud správně nefunguje nebo byl poškozen či spadl.

⚠ Jestliže je poškozený přívodní kabel, smí ho vyměnit (za identický díl) pouze výrobce, servisní technik nebo osoba s obdobnou kvalifikací, jinak by mohlo dojít k úrazu – riziko elektrického šoku!


ČIŠTĚNÍ A ÚDRŽBA

⚠ VÝSTRAHA: Než zahájíte jakoukoli údržbovou operaci, ujistěte se, že je spotřebič vypnutý a odpojený od zdroje napájení; nikdy nepoužívejte parní čistič – riziko elektrického šoku.

⚠ Nepoužívejte abrazivní ani agresivní produkty, čisticí prostředky s obsahem chloru ani drátěnky.


⚠ Abyste zabránili poškození elektrického zapalovacího zařízení, nepoužívejte jej, když se hořáky nenacházejí ve svých otvorech.

LIKVIDACE OBALOVÉHO MATERIÁLU

Obal je ze 100% recyklovatelného materiálu a je označen recyklačním znakem . Jednotlivé části obalového materiálu proto zlikvidujte odpovědně podle platných místních předpisů upravujících nakládání s odpady.

LIKVIDACE DOMÁCÍCH ELEKTROSPOTŘEBIČŮ

Tento spotřebič byl vyroben z recyklovatelných nebo opakovaně použitelných materiálů. Zlikvidujte jej podle místních předpisů pro likvidaci odpadu. Další informace o likvidaci, renovaci a recyklaci elektrických spotřebičů získáte na místním úřadě, v podniku pro sběr domácího odpadu nebo v obchodě, kde jste spotřebič zakoupili. Tento spotřebič je označen v souladu s evropskou směrnicí 2012/19/EU o odpadních elektrických a elektronických zařízeních (OEEZ) a nařízeními o odpadních elektrických a elektronických zařízeních 2013 (včetně dodatků). Zajištěním správné likvidace tohoto výrobku pomůžete zabránit negativním vlivům na životní prostředí a lidské zdraví.

Symbol  na výrobku nebo příslušných dokladech udává, že tento výrobek nesmí být likvidován společně s domácím odpadem, nýbrž je nutné jej odevzdat do příslušného sběrného střediska k recyklaci elektrických a elektronických zařízení.

RADY K ÚSPOŘE ELEKTRICKÉ ENERGIE

Používejte hrnce a pánve, jejichž velikost odpovídá velikosti varné zóny.

Používejte pouze hrnce a pánve s plochým dnem.

Je-li to možné, nechte nádobí během vaření přikryté pokličkou.

Chcete-li ušetřit maximum času a elektrické energie, používejte tlakový hrnec.

PROHLÁŠENÍ O SHODĚ

Tento spotřebič splňuje požadavky na ekodesign evropského nařízení 66/2014 a nařízení o ekodesignu výrobků spojených se spotřebou energie a informacích o energii (dodatek) (EU Exít) 2019 v souladu s evropskou normou EN 30-2-1.

Používaný typ plynu	Typ hořáku	Označení injektoru	Jmenovitý tepelný tok kW	Jmenovitá spotřeba	Snížená tepelná kapacita kW	Tlak plynu mbar		
						min.	jmen.	max.
ZEMNÍ PLYN (Metan) G20	Rychlý (R)	128 B	3,00	286 l/h	0,70	17	20	25
	Střední (SR)	97	1,75	167 l/h	0,40			
	Doplňkový (AUX)	78 A	1,00	95 l/h	0,40			
	se dvěma prstenci (DC)	141	4,00	381 l/h	2,20			
LPG (Butan) G30	Rychlý (R)	87	3,00	218 g/h	0,70	20	30	35
	Střední (SR)	67	1,75	127 g/h	0,40			
	Doplňkový (AUX)	50	1,00	73 g/h	0,40			
	se dvěma prstenci (DC)	94	3,70	269 g/h	2,20			
LPG (Propan) G31	Rychlý (R)	87	3,00	214 g/h	0,70	20	30	35
	Střední (SR)	67	1,75	125 g/h	0,40			
	Doplňkový (AUX)	50	1,00	71 g/h	0,40			
	se dvěma prstenci (DC)	94	3,70	264 g/h	2,20			

Používaný typ plynu	Konfigurace modelu 5 HOŘÁKŮ	Jmenovitý tepelný tok (kW)	Celková jmenovitá spotřeba	Vzduch (m ³) nutný ke spálení 1m ³ plynu
G20 20 mbar	1R - 2SR - 1AUX - 1DC	11,50	1095 l/h	9,52
G30 30 mbar	1R - 2SR - 1AUX - 1DC	11,20	814 g/h	30,94
G31 30 mbar	1R - 2SR - 1AUX - 1DC	11,20	800 g/h	23,80

ELEKTRICKÉ NAPÁJENÍ: 220-240 V ~ 50-60 Hz - 0,6W

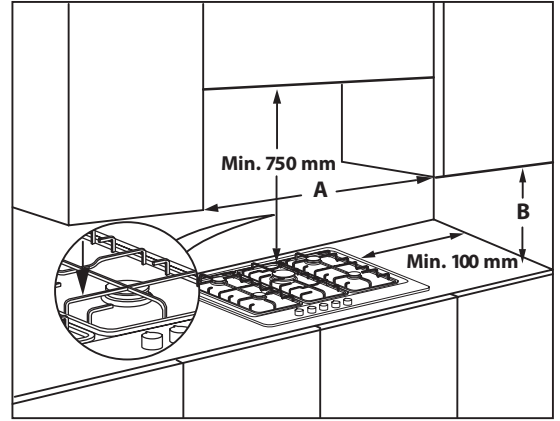
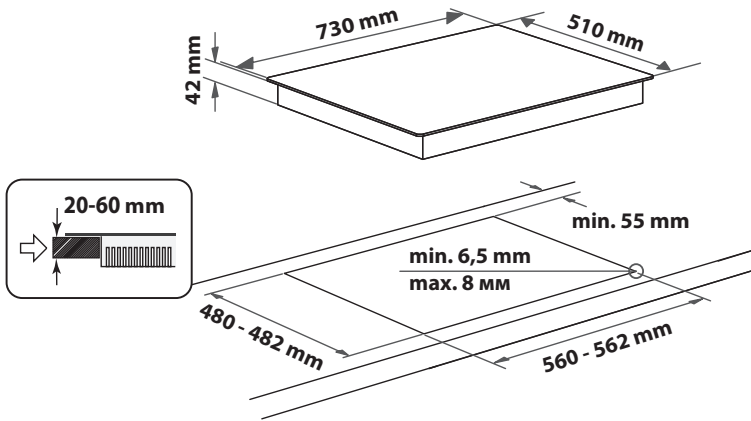


MONTÁŽ (TŘÍDA 3)

TECHNICKÉ INFORMACE PRO MONTÉRA

- Při manipulaci s produktem, jeho přípravě a instalaci použijte ochranné rukavice.
- Tento produkt lze zapustit do pracovní desky o tloušťce 20÷60 mm.
- Pokud pod varnou deskou není umístěna trouba, vložte pod ni oddělovací panel minimální plochou odpovídající otvoru v pracovní desce. Tento panel musí být umístěn maximální vzdálenosti 150 mm pod horní plochou pracovní desky, ale v žádném případě ne blíže než 20 mm ode dna varné desky. V případě, že máte v úmyslu pod varnou desku umístit troubu, tato trouba musí být vybavena systémem chlazení.

ROZMĚRY A VZDÁLENOSTI, KTERÉ JE TŘEBA DODRŽET



POZNÁMKA: Pokud vzdálenost „A“ mezi stěnami linky činí 600mm až 730 mm, musí výška „B“ činit minimálně 530 mm. Je-li vzdálenost „A“ mezi stěnami linky větší než šířka varné desky, musí výška „B“ činit minimálně 400 mm. V případě instalace digestoře nad varnou desku vyhledejte vhodnou vzdálenost v pokynech k digestoři.

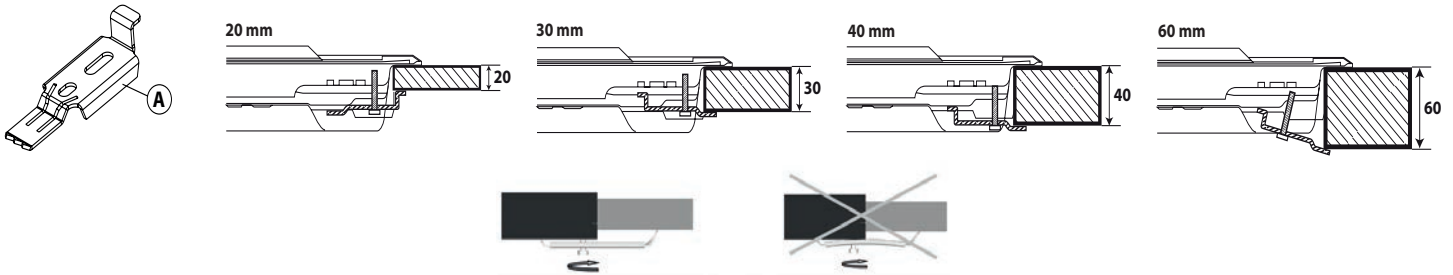
SESTAVENÍ

Po očištění okrajového povrchu na varnou desku připevněte dodané těsnění dle obrázku.

Umístěte varnou desku do otvoru v pracovní desce, který byl připraven s ohledem na rozměry uvedené v návodu.

POZNÁMKA: Přívodní kabel musí být dostatečně dlouhý, aby bylo možné zvednutí spotřebiče.

K zajištění varné desky použijte dodané svorky (A). Vložte svorky do příslušných otvorů označených šipkou a upevněte je pomocí šroubů v závislosti na tloušťce pracovní desky (viz následující obrázky).

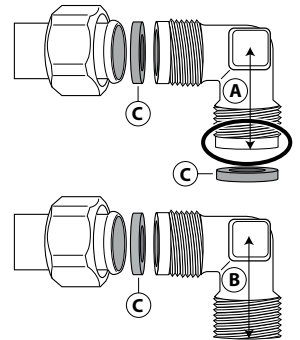


PŘIPOJENÍ PLYNU

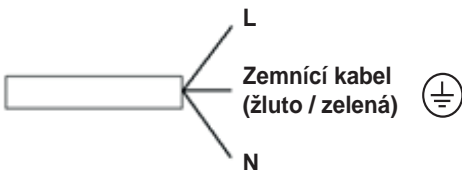
- Připojte dodávané koleno (A)* nebo (B)* k hlavní přívodní trubce varné desky a vložte dodanou podložku (C) v souladu s normou EN 549.

* **Ve Francii použijte koleno (A) a ve všech ostatních zemích koleno (B).**

- Po připojení k přívodu plynu zkontrolujte případné netěsnosti pomocí mýdlové vody. Zapalte hořáky a otočením ovladačů od maximální polohy do minimální polohy zkontrolujte stálost plamene.



ELEKTRICKÉ PŘIPOJENÍ





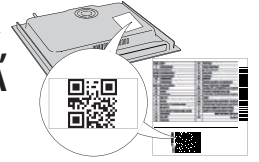
DĚKUJEME VÁM, ŽE JSTE SI ZAKOUPILI VÝROBEK ZNAČKY WHIRLPOOL

Přejete-li si získat plnou podporu, zaregistrujte svůj výrobek na www.whirlpool.eu/register.

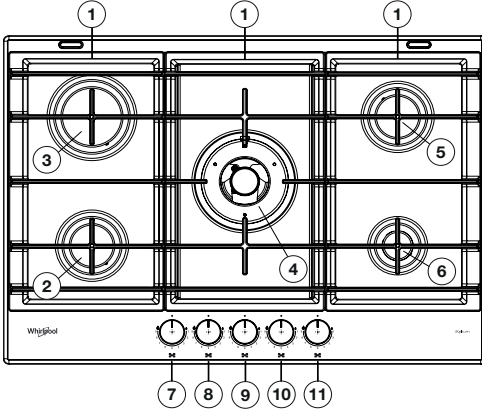


Před použitím spotřebiče si pečlivě přečtěte bezpečnostní pokyny.

ABYSTE ZÍSKALI VÍCE INFORMACÍ, NASKENUJTE PROSÍM QR KÓD NA VAŠEM SPOTŘEBIČI



POPIS PRODUKTU



1. Odnímatelné mřížky
2. Střední hořák
3. Rychlý hořák
4. Hořák se dvěma prstenci
5. Střední hořák
6. Doplňkový hořák
7. Ovladač středního hořáku
8. Ovladač rychlého hořáku
9. Ovladač hořáku se dvěma prstenci
10. Ovladač středního hořáku
11. Ovladač doplňkového hořáku

Symboly

- Plné kolečko ● Přívod uzavřen
 Velký plamen 🔥 Maximální otevření/přívod a elektrické zapalování
 Malý plamen 🔥 Minimální otevření nebo snížený přívod



KAŽDODENNÍ POUŽÍVÁNÍ

POUŽÍVÁNÍ VARNÉ DESKY

⚠ Plamen hořáku nesmí přesahovat za okraj dna hrnce či pánve.

DŮLEŽITÉ UPOZORNĚNÍ: při používání varné desky může dojít ke zvýšení teploty v jejím okolí.

- Pokud chcete zapálit některý z hořáků, otočte příslušný ovladač proti směru hodinových ručiček na největší plamen.
- Přitlačením ovladače k ovládacímu panelu zapalte hořák.
- Po zapálení držte ovladač stisknutý po dobu asi 5–10 sekund, aby hořák nezhasl.
- Tento bezpečnostní prvek hořáků zastaví přívod plynu k hořáku v případě, že plamen nečekaně zhasne (kvůli náhlému průvanu, přerušení dodávky plynu, přetečení vody z hrnce apod.).
- Ovladač by neměl být stisknutý více než 15 sekund. Pokud po uplynutí této doby hořák nezůstane zapálený, počkejte před opakováním pokusu o zapálení alespoň jednu minutu.

POZNÁMKA: Pokud konkrétní místní podmínky dodávky plynu znesnadňují zapálení hořáku, doporučujeme zopakovat postup s ovladačem nastaveným na malý plamen.

Po uvolnění ovladače může hořák zhasnout. To znamená, že bezpečnostní prvek se dostatečně nezahřál. V takovém případě opakujte výše uvedené postupy. Při náhodném zhasnutí plamene otočte otočný ovladač do polohy odpovídající vypnutí a před opětovným pokusem o jeho zapálení vyčkejte nejméně 1 minutu.

PRAKTICKÉ RADY PRO POUŽÍVÁNÍ HOŘÁKŮ

Tato varná deska zahrnuje hořáky různých průměrů. Optimální funkci hořáků zajistíte dodržováním následujících pravidel:

- používejte hrnce a pánve s průměrem stejným nebo mírně větším, než je průměr hořáku (viz tabulka vpravo);
- používejte pouze hrnce a pánve s plochým dnem;
- používejte při vaření potravin vhodné množství vody a zakrývejte hrnce pokličkou;
- hrnce či pánve po položení na mřížku nesmí přesahovat přes okraj varné desky;
- chcete-li použít pánve s vypouklým dnem (wok), použijte podpurnou mřížku (není součástí dodávky) a umístěte ji na hořák se dvěma prstenci;
- zabraňte nárazům hrnců, mřížek nebo jiného kuchyňského nářadí;
- nenechávejte prázdné nádoby na steak na zapnutém sporáku déle než 5 minut.

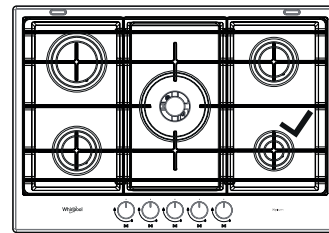
DŮLEŽITÉ UPOZORNĚNÍ: Nevhodné použití mřížek může poškodit varnou desku. Nepokládejte mřížky na varnou desku obrácené ani je po desce neposouvejte.

HOŘÁK	Ø PRŮMĚR HRNCE
se dvěma prstenci	Od 24 do 26 cm
Rychlý	Od 24 do 26 cm
Střední	Od 16 do 22 cm
Doplňkový	Od 8 do 14 cm

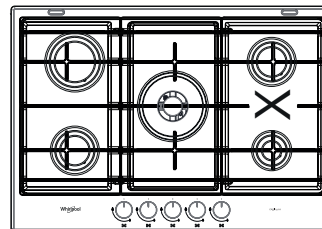
Nepoužívejte:

- litinové plotny, kameninové desky ani terakotové hrnce a pánve;
- rozptylovače tepla, jako jsou kovové mřížky apod.;
- dva hořáky současně na jednu nádobu (např. hrnec na ryby).

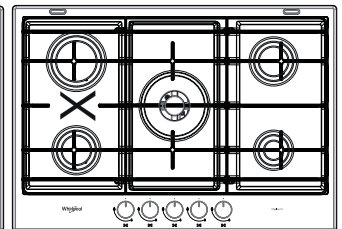
SPRÁVNÉ UMÍSTĚNÍ GRIDŮ



OK



NO



NO

PŘÍZPŮSOBENÍ PRO JINÉ TYPY PLYNU

⚠ Tento úkon musí být proveden kvalifikovaným technikem.

Pokud má spotřebič používat jiný druh plynu než ty, které jsou vedeny na typovém štítku a informačním štítku na horní straně varné desky, vyměňte injektory. Odlepte informační štítek a uchovejte jej spolu s příručkou.

Používejte regulátory tlaku vhodné pro tlak plynu uvedený v pokynech:

- plynový injektor smí vyměnit pouze servisní středisko nebo kvalifikovaný technik;
- injektor není dodáván spolu se spotřebičem a je nutné jej objednat v servisním středisku;
- upravte nastavení minimálních poloh ovladačů.

POZNÁMKA: V případě použití LPG (G30/G31) je nutné šroub pro nastavení minimálního průtoku přitáhnout úplně.

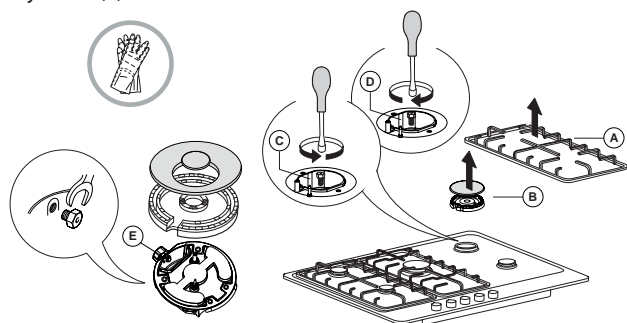
DŮLEŽITÉ UPOZORNĚNÍ: Pokud máte problém s otáčením některého z ovladačů, kontaktujte servisní středisko, které vám v případě zjištění závady poskytne nový kohout hořáku.

DŮLEŽITÉ UPOZORNĚNÍ: V případě použití tlakové lahve musí být tlaková láhev správně usazena (ve svislé poloze).

VÝMĚNA INJEKTORŮ (viz tabulka injektorů v Bezpečnostních pokynech)

⚠ Tento úkon musí být proveden kvalifikovaným technikem.

- Sejměte mřížky (A).
- Vyjměte hořáky (B).
- Pomocí nástrčného klíče odpovídající velikosti odšroubujte injektor (C), který chcete vyměnit.
- Nahraďte jej injektorem vhodným pro daný typ plynu.
- Znovu složte injektor (D).
- Pokud se jedná o hořák s více prstenci, použijte očkový klíč k výměně injektoru (E).



Před instalací varné desky nezapomeňte připravit kalibrační štítek dodaný s injektory takovým způsobem, aby zakryl původní informace týkající se kalibrace pro plyn.

ÚPRAVA NASTAVENÍ MINIMÁLNÍHO PRŮTOKU PLYNU

⚠ Tento úkon musí být proveden kvalifikovaným technikem.

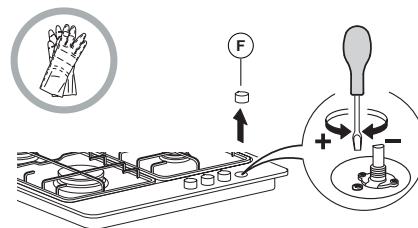
Tuto úpravu je třeba provádět, když je kohout nastaven v poloze minimálního průtoku plynu (malý plamen).

Primární přívod vzduchu k hořákům není třeba nastavovat.

Abyste zajistili správné nastavení minimální polohy, sejměte ovladač (F) a pokračujte dle následujícího postupu:

- přitáhnutím šroubu zmenšíte výšku plamene (-);
- uvolněním šroubu zvětšíte výšku plamene (+).

Nyní zapalte hořáky a otočením ovladačů od maximální polohy do minimální polohy zkontrolujte stálost plamene.



Po dokončení nastavení proveďte utěsnění pomocí pečtního vosku nebo obdobného materiálu.

TABULKA PEČENÍ

ÚROVEŇ	METODA / TYP TEPELNÉ ÚPRAVY (DOPORUČENO PRO)	KUCHAŘSKÉ TIPY
1–2	UDRŽOVÁNÍ V TEPLĚ	Ideální pro změknutí másla, jemné rozpouštění čokolády ve vodní lázni, rozmrazování menších porcí, získání krémové konzistence u rizota.
	ÚPRAVA PŘI MÍRNÉ TEPLOTĚ	
3–4	POVAŘENÍ / MÍRNÝ VAR	Ideální pro recepty vyžadující pozvolné vaření (rýže, omáčky, pečená masa, ryby) v kapalinách (např. vodě, víně, vývaru), rozpouštění másla na těstovinách a udržování mírného varu.
	DUŠENÍ	
5–6	PEČENÍ/OPĚKÁNÍ	Ideální pro přípravu minulek, dušení zeleniny, při delší době tepelné úpravy, pro předehřev příslušenství, pro dosažení krémové konzistence.
	SMAŽENÍ	
7–8	SMAŽENÍ ZA STÁLÉHO MÍCHÁNÍ	Ideální pro opékání dozlatova, při zahájení tepelné úpravy, pro rychlé přivedení kapalin k varu, smažení hluboce zmrazených výrobků, grilování masa a ryb, udržování prudšího varu.
	GRILOVÁNÍ	
9	RYCHLÉ OHRÁTÍ	Ideální pro rychlé zvýšení teploty pokrmu nebo ohřátí kapalin (vody).

ČIŠTĚNÍ A ÚDRŽBA

⚠ Odpojte spotřebič od elektrické sítě.

ČIŠTĚNÍ POVRCHU VARNÉ DESKY

- Veškeré smaltované a skleněné díly je třeba čistit teplou vodou a neutrálním čisticím roztokem.
- Povrch dílů z nerezové oceli může být poškozen v případě delšího kontaktu s tvrdou vodou nebo agresivními čisticími prostředky. Případně ulpělé potraviny (voda, omáčka, káva apod.) je třeba otřít dříve, než zaschnou.
- K čištění použijte teplou vodu s neutrálním čisticím prostředkem a k osušení použijte měkkou tkaninu. Připečené nečistoty odstraňujte čisticími prostředky speciálně určenými pro nerezovou ocel.

POZNÁMKA: Nerezovou ocel čistěte výhradně měkkým hadříkem nebo houbičkou.

- Nepoužívejte abrazivní ani agresivní produkty, čisticí prostředky s obsahem chloru ani drátěnky.
- Nepoužívejte parní čističe.
- Nepoužívejte hořlaviny.
- Nenechávejte na varné desce kyselé ani zásadité potraviny, jako je například ocet, hořčice, cukr nebo citronová šťáva.

ČIŠTĚNÍ SOUČÁSTÍ VARNÉ DESKY

- Skleněné a smaltované díly čistěte pouze měkkým hadříkem či houbičkou.
- Mřížky, krytky hořáků a hořáky samotné lze při čištění vyjmout.
- Čistěte je ručně pomocí teplé vody a neabrazivního čisticího prostředku, odstraňte veškeré zbytky potravin a zajistěte, aby žádný z průduchů hořáku nebyl ucpaný.
- Opláchněte a osušte.
- **Litinné rošty lze mýt v myčce nádobí.**
Před umístěním roštů do nejspodnějšího koše myčky nádobí odstraňte veškeré připáleniny.

- Vložte hořáky a krytky hořáků patřičným způsobem do odpovídajících otvorů.
- Při pokládání mřížek zajistěte, aby byly oblasti podstavců zarovnané s hořáky.
- Modely vybavené elektrickým zapalováním a bezpečnostním prvkem vyžadují důkladné čištění koncovky zapalování, aby byl zajištěn správný provoz. Tyto součásti pravidelně kontrolujte a v případě potřeby je čistěte vlhkým hadříkem. Jakékoli připečené potraviny je třeba odstranit párátkem nebo jehlou.

POZNÁMKA: Abyste zabránili poškození elektrického zapalovacího zařízení, nepoužívejte jej, když se hořáky nenacházejí ve svých otvorech.

ODSTRAŇOVÁNÍ ZÁVAD

Pokud varná deska nepracuje správně, před kontaktováním servisního střediska se pokuste určit příčinu problému podle následujících pokynů.

1. Hořák nelze zapálit nebo je plamen nerovnoměrný

Zkontrolujte, zda:

- dodávka plynu či elektrické energie není přerušena a obzvláště zda není uzavřen kohout přívodu plynu;
- tlaková láhev (se zkapalněným plynem) není prázdná;
- průduchy hořáku nejsou ucpané;
- koncovka elektrické zástrčky není znečištěna;
- všechny součásti hořáku jsou ve správné poloze;
- v blízkosti varné desky není průvan.

2. Hořák nezůstane zapálený

Zkontrolujte, zda:

- byl při zapalování hořáku ovladač stisknut dostatečně dlouho, aby došlo k aktivaci bezpečnostního prvku;
- průduchy hořáku nejsou v blízkosti termočlánku ucpané;
- zakončení bezpečnostního prvku není znečištěno;
- minimální průtok plynu je správně nastaven (viz odpovídající odstavec).

3. Nádoby nelze správně umístit

Zkontrolujte, zda:

- dno nádoby je zcela ploché;
- nádoba je nad hořákem umístěna na střed;
- mřížky nebyly zaměněny nebo nesprávně umístěny.

Jestliže problém přetrvává i po provedení výše uvedených kroků, kontaktujte nejbližší servisní středisko

SERVISNÍ STŘEDISKO

Přejete-li si získat plnou podporu, zaregistrujte svůj výrobek na www.whirlpool.eu/register.

NEŽ ZAVOLÁTE DO SERVISNÍHO STŘEDISKA POPRODEJNÍCH SLUŽEB:

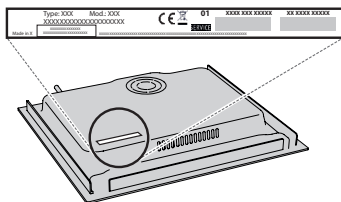
1. Ověřte si, zda nemůžete problém vyřešit sami pomocí doporučení popsanych v oddílu **ODSTRAŇOVÁNÍ ZÁVAD**.
2. Vypněte spotřebič a opět ho zapněte, abyste zjistili, zda porucha stále trvá.

JESTLIŽE PORUCHA PŘETRVÁVÁ I PO PŘEVEDENÍ VÝŠE UVEDENÝCH KROKŮ, ZAVOLEJTE DO NEJBLIŽŠÍHO SERVISNÍHO STŘEDISKA.

Pro asistenční služby volejte na číslo uvedené v záruční knížce nebo postupujte podle pokynů na webových stránkách www.whirlpool.eu.

Pokud se obracíte na náš zákaznický poprodejní servis, vždy upřesněte:

- stručný popis poruchy;
- přesný typ a model spotřebiče;



- sériové číslo (číslo za slovem SN na typovém štítku umístěném pod spotřebičem). Sériové číslo je také uvedeno v dokumentaci;



Mod. **xxx xxx**
Ind.C. **xxxx xxxx xxxx**
SN: **xxxx xxxx xxxx**
Prod.N. **xxxx xxxx xxxx**

- svou úplnou adresu;
- své telefonní číslo.

Jestliže je nutná oprava, obraťte se na autorizované servisní středisko, abyste měli jistotu, že budou použity originální náhradní díly a oprava bude provedena správně).

Zásady, standardní dokumentaci a další informace o výrobku naleznete:

- Načtením QR kódu ve vašem spotřebiči;
- Při navštívení naší webové stránky docs.whirlpool.eu/docs;
- Případně **kontaktujte náš poprodejní servis** (telefonní číslo naleznete v záručním listě). Při kontaktování našeho poprodejního servisu prosím uveďte kódy na identifikačním štítku produktu.



⚠ Tieto pokyny platia, ak je na spotrebiči symbol krajiny. Ak na spotrebiči symbol krajiny nie je, je potrebné sa riadiť technickými pokynmi, kde nájdete potrebný návod týkajúci sa úpravy spotrebiča na podmienky krajiny použitia.

⚠ POZOR: Pri používaní plynového sporáka vzniká v miestnosti, kde je inštalovaný, teplo, vlhkosť a produkty spalovania. Dbajte, aby bola kuchyňa dobre vetraná, najmä keď sa spotrebič používa: nechajte prirodzené vetracie otvory otvorené alebo nainštalujte mechanické vetracie zariadenie (mechanický odsávací digestor). Dlhšie intenzívne používanie spotrebiča môže vyžadovať ďalšie vetranie, napríklad otvorením okna, alebo intenzívnejšie vetranie zvýšením úrovne mechanického vetrania, ak je nainštalované.

⚠ Ak sa nebudete presne riadiť informáciami uvedenými v tejto príručke, môže to spôsobiť požiar alebo výbuch, následkom ktorého dôjde k poškodeniu majetku alebo zraneniu osôb.

Pred použitím spotrebiča si prečítajte tieto bezpečnostné pokyny. Uchovajte ich poruke na budúce použitie.

V týchto pokynoch a na samotnom spotrebiči sú uvedené dôležité upozornenia týkajúce sa bezpečnosti, ktoré treba vždy dodržiavať. Výrobca odmieta zodpovednosť v prípade nedodržania týchto bezpečnostných pokynov, nevhodného používania spotrebiča alebo nesprávneho nastavenia ovládania.

⚠ UPOZORNENIE: Ak je varný panel puknutý, spotrebič nepoužívajte – nebezpečenstvo zásahu elektrickým prúdom.

⚠ UPOZORNENIE: Nebezpečenstvo požiaru: Neskladujte predmety na varných povrchoch.

⚠ UPOZORNENIE: Pri varení musí byť spotrebič pod dohľadom. Pri krátkodobom varení musí byť spotrebič pod nepretržitým dohľadom.

⚠ UPOZORNENIE: Varenie na tuku alebo oleji bez dozoru môže predstavovať nebezpečenstvo a môže mať za následok vznik požiaru. NIKDY sa nepokúšajte uhasiť požiar vodou. Vypnite spotrebič a následne zakryte plameň, napr. pokrievkou alebo hasiacim rúškom.

⚠ Nepoužívajte varnú dosku ako pracovnú alebo odkladaciu plochu. Oblečenie a iné horľavé materiály uchovávajú mimo spotrebiča, kým všetky komponenty úplne nevychladnú – hrozí nebezpečenstvo vzniku požiaru.

⚠ Veľmi malé deti (0 – 3 roky) by sa nemali zdržiavať v okolí spotrebiča. Malé deti (3 – 8 rokov) nepúšťajte k spotrebiču bez dozoru. Deti od 8 rokov a osoby so zníženými fyzickými, zmyslovými a mentálnymi schopnosťami alebo s nedostatkom skúseností a znalostí môžu používať tento spotrebič len v prípade, ak sú pod dozorom alebo dostali pokyny týkajúce sa používania spotrebiča bezpečným spôsobom a chápu hroziace nebezpečenstvá. Deti sa so spotrebičom nesmú hrať. Čistenie a údržbu nesmú vykonávať deti bez dozoru.

⚠ UPOZORNENIE: V prípade, že sa rozbije sklo na varnej doske, ihneď vypnite všetky horáky a elektrické ohrievacie teleso a spotrebič odpojte od prívodu napätia; nedotýkajte sa povrchu spotrebiča, spotrebič nepoužívajte.

Sklený kryt môže puknúť, keď sa zohreje. Pred zatvorením krytu vypnite všetky horáky a elektrické platničky. Ak sú horáky zapnuté, kryt nezatvárajte.

⚠ UPOZORNENIE: Spotrebič a jeho prístupné časti sa počas používania zahrievajú. Dávajte pozor, aby ste sa nedotkli ohrevných článkov. Nedovoľte, aby sa deti mladšie ako 8 rokov priblížili k rúre, pokiaľ nie sú nepretržite pod dozorom.

⚠ Pred alebo po varení sa potraviny nesmú ponechať vo výrobku alebo na ňom dlhšie ako jednu hodinu.

POVOLENÉ POUŽÍVANIE

⚠ UPOZORNENIE: Spotrebič nie je určený na ovládanie externým vypínačom, ako je časovač alebo samostatný systém diaľkového ovládania.

⚠ Tento spotrebič je určený na použitie v domácnosti alebo na podobné účely ako napr.: v oblastiach kuchyniek pre personál v dielňach, kanceláriách a iných pracovných prostrediach; na farmách; pre klientov v hoteloch, motelloch, penziónoch a iných ubytovacích zariadeniach.

⚠ Nie je povolené používať ho na iné účely (napr. vykurovanie miestnosti).

⚠ Tento spotrebič nie je určený na profesionálne používanie. Spotrebič nepoužívajte vonku.

⚠ Používajte hrnce a panvice s rovnakým priemerom dna, ako je priemer varných zón, alebo o niečo väčším (pozrite špeciálnu tabuľku). Nedovoľte, aby hrnce na mriežkach presahovali cez okraj varnej dosky.

⚠ Nevhodné používanie mriežky môže zapríčiniť poškodenie platne sporáka: nekladte preto mriežku opačne, ani ju neposúvajte po ploche platne.

Nedovoľte, aby plameň horáka presahoval cez okraj panvice.

Ak je povrch varného panela zo skleneného materiálu, nepoužívajte liatinové rošty, keramické kamene, terakotové hrnce či panvice.

Neodporúčame Vám používať: Rozptyľovače plameňa vo forme kovovej mriežky alebo iné. Použitie dvoch horákov súčasne pre jednu oválnu nádobu (napr. na prípravu ryby).

Ak by sa horák následkom špecifických podmienok pri miestnej dodávke plynu ťažko zapaloval, odporúčame vám zopakovať uvedený postup s gombíkom otočeným do polohy malého plameňa.

V prípade inštalácie digestora nad varnú plochu, prosím, dodržiavajte pokyny o správnych vzdialenostiach.

Ochranné gumené nožičky na snímateľnej mriežke predstavujú nebezpečenstvo pre malé deti. Po odložení mriežky dbajte, aby boli všetky nožičky správne nasadené.

INŠTALÁCIA

⚠ So spotrebičom musia manipulovať a inštalovať ho minimálne dve osoby – riziko zranenia. Pri vybalovaní a inštalovaní používajte ochranné rukavice – nebezpečenstvo porezania.

⚠ Elektrické a plynové prípojky musia vyhovovať miestnym predpisom.

⚠ Inštaláciu, vrátane prívodu vody (ak je) a elektrického zapojenia a taktiež opravy musí vykonávať kvalifikovaný technik. Nikdy neopravujte ani nevymieňajte žiadnu časť spotrebiča, ak to nie je uvedené v návode na používanie.

Nepúšťajte deti k miestu inštalácie. Po vybalení spotrebiča sa uistite, že sa počas prepravy nepoškodil. V prípade problémov sa obráťte na predajcu alebo popredajný servis. Po inštalácii treba odpad z balenia (plasty, kusy polystyrénu a pod.) uložiť mimo dosahu detí – nebezpečenstvo udusenía. Pred vykonávaním inštalčných prác musíte spotrebič odpojiť od elektrického napájania – nebezpečenstvo zásahu elektrickým prúdom. Počas inštalácie dávajte pozor, aby ste spotrebičom nepoškodili napájací kábel – nebezpečenstvo požiaru alebo zásahu elektrickým prúdom. Spotrebič zapnite až po úplnom dokončení inštalácie.

⚠ **UPOZORNENIE:** Úprava spotrebiča a spôsob jeho inštalácie sú základom bezpečného a správneho používania vo všetkých ďalších krajinách.

⚠ Použite regulátory tlaku vhodné pre tlak plynu uvedený v Pokynoch.

⚠ Miestnosť musí byť vybavená systémom odsávania vzduchu, ktorý odstráni všetky spaliny. Ten môže pozostávať z digestora alebo elektrického ventilátora, ktorý sa spustí automaticky zakaždým, keď sa zapne spotrebič.

⚠ Miestnosť musí umožňovať riadnu cirkuláciu vzduchu, pretože vzduch je potrebný pre normálne spaľovanie. Prúdenie vzduchu musí byť minimálne 2 m³/h na kW inštalovaného výkonu.

⚠ Systém cirkulácie vzduchu môže nasávať vzduch priamo zvonka cez potrubie s prierezom minimálne 100 cm²; otvor nesmie byť ohrozený žiadnym typom upchatia.

⚠ Systém môže zabezpečovať vzduch potrebný na spaľovanie aj nepriamo, t.j. zo susedných miestností vybavených potrubím na cirkuláciu vzduchu, ako je opísané vyššie. Tieto miestnosti však nesmú byť spoločenské miestnosti, spálne alebo miestnosti, ktoré môžu predstavovať riziko požiaru.

⚠ Skvapalnený plyn klesne k podlahe, pretože je ťažší ako vzduch. Preto aj miestnosti, kde sa nachádzajú fľaše s LPG, musia byť vybavené vetracími otvormi, aby v prípade netesnosti mohol plyn uniknúť. V dôsledku toho fľaše s LPG, čiastočne alebo úplne plné, sa nesmú inštalovať ani skladovať v miestnostiach alebo skladoch, ktoré sú pod zemou (pivnice a pod.). Odporúča sa uchovávať v miestnosti iba fľašu, ktorá sa používa, a umiestniť ju tak, aby nebola vystavená teplu z vonkajších zdrojov (pece, kozuby, sporáky a pod.), ktoré by mohli zvýšiť teplotu fľaše nad 50 °C.

Ak by ste mali ťažkosti s otočením gombíkov horákov, prosím, kontaktujte pracovníkov servisu, aby ventil horáka vymenili, ak je chybný. Otvory slúžiace na vetranie a rozptýlenie tepla nesmú byť nikdy prikryté.

⚠ Pred vsadením spotrebiča do nábytkového príslušenstva urobte všetky potrebné výrezy a odstráňte drevené odrezky a piliny.

⚠ Ak spotrebič nie je inštalovaný nad rúrou, je potrebné do priehradky pod spotrebičom nainštalovať oddelovací panel (nie je priložený).

PLYNOVÁ PRÍPOJKA

⚠ **UPOZORNENIE:** Pred inštaláciou zabezpečte, aby boli podmienky miestnej rozvodnej siete (charakter a tlak plynu) kompatibilné s nastavením spotrebiča.

⚠ Skontrolujte, či tlak dodávaného plynu vyhovuje

hodnotám uvedeným v tabuľke "Špecifikácie horáka a dýzy".

⚠ **UPOZORNENIE:** Podmienky nastavenia tohto spotrebiča sú uvedené na nálepke (alebo štítku s údajmi).

⚠ **UPOZORNENIE:** Tento spotrebič nie je pripojený k zariadeniu na odvod spalín. Musí byť nainštalovaný a pripojený v súlade s platnými pravidlami na inštaláciu. Mimoriadnu pozornosť venujte príslušným požiadavkám na vetranie.

⚠ Ak je spotrebič pripojený na skvapalnený plyn, regulačná skrutka musí byť utiahnutá čo najviac.

⚠ **DÔLEŽITÉ:** Ak sa používa tlaková plynová nádoba, tlaková plynová nádoba alebo plynový zásobník musia byť správne osadené (vertikálne smerovanie).

⚠ **UPOZORNENIE:** Túto operáciu musí vykonať kvalifikovaný technik.

⚠ Pri príprave plynovej prípojky použite ohybnú alebo neohybnú kovovú rúrku.

⚠ Pripojenie s neohybnou rúrou (medenou alebo ocelovou) Pripojenie na plynovú sústavu musí byť urobené tak, aby na spotrebič nebol vynakladaný žiaden tlak. Na prívodnej rampe spotrebiča je nastaviteľná potrubná kolenová tvarovka vybavená tesnením, aby sa zabránilo úniku. Po otáčaní potrubnej tvarovky treba tesnenie vždy vymeniť (tesnenie sa dodáva so spotrebičom). Potrubná tvarovka pre prívod plynu má vonkajší 1/2-palcový závit.

⚠ Pripojenie ohybného potrubia z nehrdzavejúcej ocele bez spojov k závitovej prípojke Potrubná tvarovka pre prívod plynu má vonkajší 1/2-palcový závit. Potrubia musia byť nainštalované tak, aby pri úplnom natiahnutí nepresahovali 2 000 mm. Po pripojení sa ubezpečte, že ohybné kovové potrubie sa nedotýka žiadnych pohyblivých častí a nie je stlačené. Používajte iba potrubia a tesnenia, ktoré sú v súlade s vnútroštátnymi predpismi.

⚠ **DÔLEŽITÉ UPOZORNENIE:** Ak je použitá antikorová rúrka, musí byť nainštalovaná tak, aby sa nedotýkala žiadnej pohyblivej časti nábytku (napr. zásuvky). Musí prechádzať oblasťou, kde nie sú žiadne prekážky a kde je možné skontrolovať ju po celej jej dĺžke.

⚠ Spotrebič by mal byť pripojený k zdroju dodávky plynu alebo plynovej fľaši v súlade s aktuálnymi vnútroštátnymi predpismi. Pred pripojením sa presvedčte, či je spotrebič kompatibilný s prívodom plynu, ktorý chcete použiť. Ak nie je, postupujte podľa pokynov uvedených v odseku „Prispôsobenie iným typom plynu“.

⚠ Po pripojení k prívodu plynu vykonajte kontrolu úniku použitím mydlovej vody. Zapáľte horáky a otočte kohútiky z maximálnej polohy 1* do minimálnej polohy 2*, aby ste skontrolovali stabilitu plameňa.

PRISPÔSOBENIE INÝM TYPOM PLYNU

(Túto činnosť musí vykonávať kvalifikovaný technik).

⚠ Aby ste prispôbili spotrebič inému typu plynu, než je ten, pre ktorý bol vyrobený (uvedený na typovom štítku), postupujte podľa krokov uvedených po inštalčných nákresoch.

VAROVANIA PRE POUŽÍVANIE ELEKTRICKÉHO ZARIADENIA

⚠ **DÔLEŽITÉ:** Informácie o spotrebe prúdu a napätia sú uvedené na typovom štítku.

⚠ Spotrebič sa musí dať odpojiť od napájania buď vyťahnutím zástrčky, pokiaľ je ľahko dostupná, alebo prostredníctvom prístupného viacpólového prepínača nainštalovaného pred zásuvkou podľa predpisov pre domovú elektroinštaláciu, pričom musí byť spotrebič uzemnený v súlade s národnými bezpečnostnými normami pre elektrotechniku.

⚠ Prívodný elektrický kábel musí byť dostatočne dlhý, aby sa spotrebič, zabudovaný do kuchynskej linky, dal zapojiť do elektrickej siete. Neťahajte za napájací elektrický kábel.

⚠ Nepoužívajte predlžovacie káble, rozdvojky ani adaptéry. Po inštalácii spotrebiča nesmú byť jeho elektrické časti prístupné používateľom. Nepoužívajte spotrebič, ak ste mokří alebo bosí. Spotrebič neuvádzajte do činnosti, ak je poškodený napájací kábel alebo zástrčka, ak nepracuje správne, ak je poškodený alebo ak spadol.

⚠ Ak je poškodený napájací elektrický kábel, musí ho výrobca, jeho autorizovaný servis alebo podobne kvalifikovaná osoba vymeniť za identický, aby sa predišlo nebezpečenstvu zásahu elektrickým prúdom.


ČISTENIE A ÚDRŽBA

⚠ **UPOZORNENIE:** Pred vykonávaním údržby dbajte, aby bol spotrebič vypnutý alebo odpojený od elektrického napájania; nikdy nepoužívajte zariadenie na čistenie parou – nebezpečenstvo zásahu elektrickým prúdom.

⚠ Nepoužívajte abrazívne alebo korozívne prostriedky, čističe s obsahom chlóru alebo drôtenky na panvice.

⚠ Aby ste predišli poškodeniu zariadenia elektrického zapalovania, nepoužívajte ho, keď horáky nie sú na svojich miestach.

LIKVIDÁCIA OBALOVÝCH MATERIÁLOV


Obalové materiály sa môžu na 100 % recyklovať a sú označené symbolom recyklácie .

Rôzne časti obalu likvidujte zodpovedne, v plnom súlade s platnými miestnymi predpismi o likvidácii odpadov.

LIKVIDÁCIA DOMÁCIH SPOTREBIČOV

Tento spotrebič je vyrobený z recyklovateľných a znovu použiteľných materiálov. Zlikvidujte ho v súlade s miestnymi predpismi o likvidácii odpadov. Podrobnejšie informácie o zaobchádzaní, obnove a recyklácii domácich spotrebičov dostanete na príslušnom miestnom úrade, v zberných strediskách alebo v obchode, kde ste spotrebič kúpili. Tento spotrebič je označený v súlade so smernicou Európskeho parlamentu a Rady 2012/19/EÚ o odpade z elektrických a elektronických zariadení (OEEZ) a s predpismi o odpade z elektrických a elektronických zariadení z r. 2013 (v platnom znení).

Zabezpečením správnej likvidácie výrobku pomôžete predchádzať potenciálnym negatívnym dopadom na životné prostredie a ľudské zdravie.

Symbol  na spotrebiči alebo na sprievodných dokumentoch znamená, že s týmto výrobkom sa nesmie zaobchádzať ako s domácim odpadom, ale je potrebné odovzdať ho v zbernom dvore pre elektrické a elektronické zariadenia.

RADY NA ÚSPORU ELEKTRICKEJ ENERGIE

Používajte hrnce a panvice, ktorých spodný priemer je rovnaký ako priemer varnej zóny.

Používajte iba panvice a hrnce s rovným dnom.

Ak je to možné, prikryte hrnce počas varenia pokrievkami.

Používajte tlakový hrniec kvôli ešte väčšej úspore energie a času.

VYHLÁSENIE O ZHODE

Tento spotrebič spĺňa požiadavky nariadenia Komisie (EÚ) 66/2014 na ekodizajn a predpisy z roku 2019 o ekodizajne energeticky významných výrobkov a energetických informáciách (dodatok) (výstup z EÚ) v súlade s európskou normou EN 30-2-1.

Druh používaného plynu	Typ horáka	Značka vstrekovace dýzy	Menovitý tepelný výkon kW	Menovitá spotreba	Znížená tepelná kapacita kW	Tlak plynu mbar		
						min.	rat.	max.
ZEMNÝ PLYN (Metán) G20	Rýchly (R)	128 B	3,00	286 l/h	0,70	17	20	25
	Stredne rýchly (SR)	97	1,75	167 l/h	0,40			
	Pomocný (AUX)	78 A	1,00	95 l/h	0,40			
	s dvoma prstencami (DC)	141	4,00	381 l/h	2,20			
SKVAPALNENÝ ROPNÝ PLYN (Bután) G30	Rýchly (R)	87	3,00	218 g/h	0,70	20	30	35
	Stredne rýchly (SR)	67	1,75	127 g/h	0,40			
	Pomocný (AUX)	50	1,00	73 g/h	0,40			
	s dvoma prstencami (DC)	94	3,70	269 g/h	2,20			
SKVAPALNENÝ ROPNÝ PLYN (Propán) G31	Rýchly (R)	87	3,00	214 g/h	0,70	20	30	35
	Stredne rýchly (SR)	67	1,75	125 g/h	0,40			
	Pomocný (AUX)	50	1,00	71 g/h	0,40			
	s dvoma prstencami (DC)	94	3,70	264 g/h	2,20			

Druh používaného plynu	Konfigurácia modelu 5 HORÁKOV	Menovitý tepelný príkon (kW)	Celková menovitá spotreba	Objem vzduchu (m ³) potrebný na spálenie 1m ³ plynu
G20 20 mbar	1R - 2SR - 1AUX - 1DC	11,50	1095 l/h	9,52
G30 30 mbar	1R - 2SR - 1AUX - 1DC	11,20	814 g/h	30,94
G31 30 mbar	1R - 2SR - 1AUX - 1DC	11,20	800 g/h	23,80

ELEKTRICKÉ NAPÁJANIE: 220-240 V ~ 50-60 Hz -0,6W

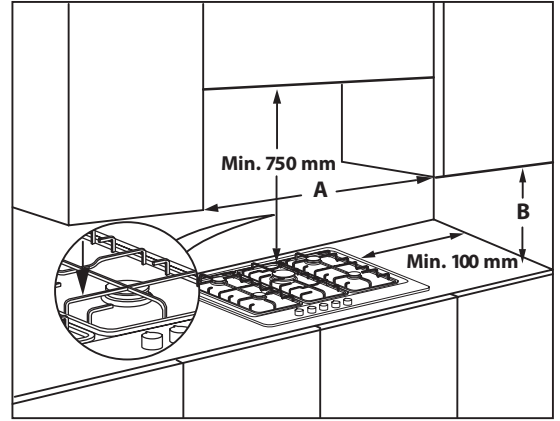
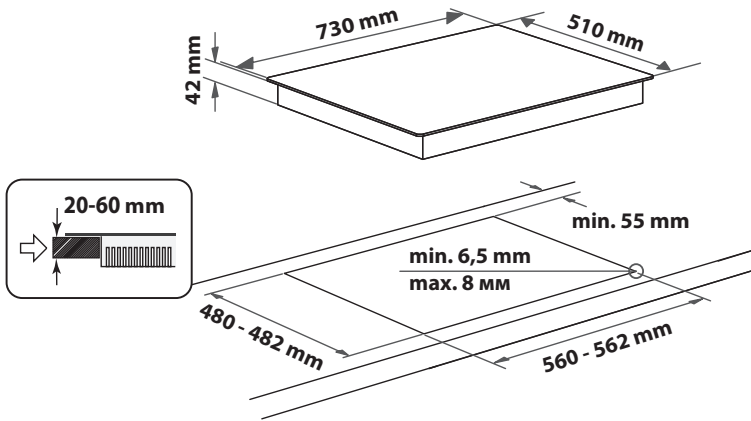


INŠTALÁCIA (TRIEDA 3)

TECHNICKÉ INFORMÁCIE PRE TECHNIKA VYKONÁVAJÚCEHO INŠTALÁCIU

- Pri manipulácii, príprave a inštalácii produktu používajte ochranné rukavice.
- Táto varná doska môže byť zasadená do pracovnej dosky s hrúbkou 20 až 60 mm.
- Ak pod varnou doskou nie je rúra, namontujte oddeľovací panel s minimálne rovnakou plochou ako je plocha otvoru v pracovnej ploche. Tento panel musí byť umiestnený v maximálnej vzdialenosti 150 mm pod horným povrchom pracovnej plochy, ale nikdy nie menej ako 20 mm od dna varnej dosky. V prípade, že chcete pod varnú dosku umiestniť rúru, musí byť táto rúra vybavená systémom chladenia.

ROZMERY A VZDIALENOSTI, KTORÉ TREBA DODRŽIAVAŤ



POZNÁMKA: ak je vzdialenosť „A“ medzi nástennými skrinkami 600 mm až 730 mm, výška „B“ musí byť minimálne 530 mm. Ak je vzdialenosť „A“ medzi nástennými skrinkami väčšia ako šírka varnej dosky, výška „B“ musí byť minimálne 400 mm. V prípade inštalácie odsávača pár nad varnú plochu dodržiavajte pri inštalácii pokyny k odsávaču o správnych vzdialenostiach.

MONTÁŽ

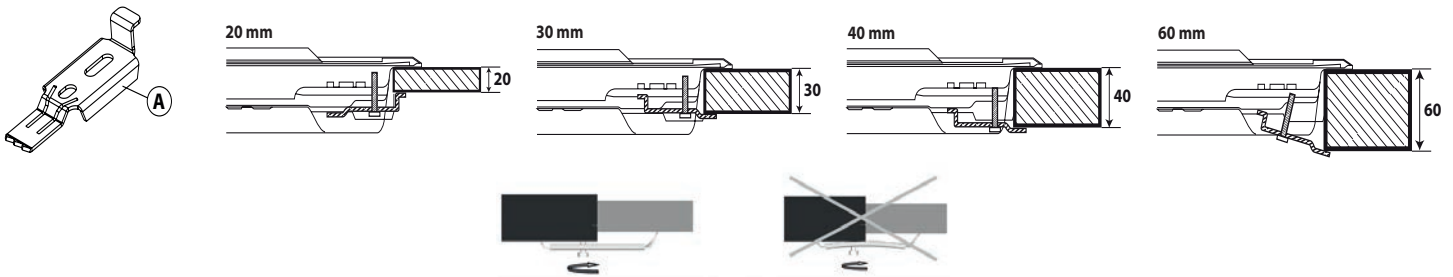
Po vyčistení povrchu obvodu namontujte dodávané tesnenie, ako je zobrazené na obrázku.

Umiestnite varnú dosku v otvore pracovnej plochy, pričom dodržiavajte rozmery uvedené v pokynoch.



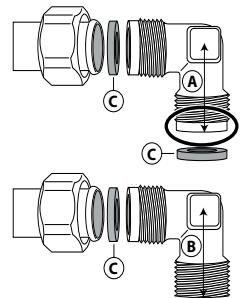
POZNÁMKA: prívodný elektrický kábel musí mať dostatočnú dĺžku, aby bolo možné, aj po zapojení, varnú dosku vybrať z pracovnej plochy.

Na upevnenie varnej dosky použite konzoly (A) dodané s varnou doskou. Upevnite konzoly v príslušných otvoroch zobrazených šípkou a upevnite ich prostredníctvom skrutiek, v závislosti od hrúbky pracovnej dosky (pozrite si nasledujúce obrázky).

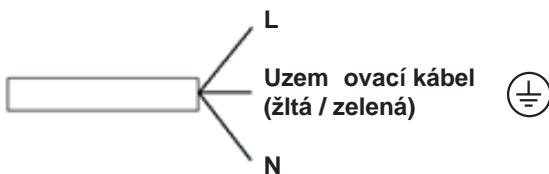


PLYNOVÁ PRÍPOJKA

- Zapojte dodaný ohyb (A)* alebo (B)* ku prípojke varnej dosky, pričom vložte aj dodané tesnenie (C), v súlade s normou EN 549.
- * **Ohyb (A) použite vo Francúzsku a ohyb (B) v ostatných krajinách.**
- Po pripojení k prívodu plynu vykonajte kontrolu úniku použitím mydlovej vody. Zapáľte horáky a otočte kohútiky z maximálnej polohy ☹ do minimálnej polohy ☺ by ste skontrolovali stabilitu plameňa.



ELEKTRICKÉ PRIPOJENIE





ĎAKUJEME, ŽE STE SI KÚPILI VÝROBOK WHIRLPOOL
Aby sme vám mohli lepšie poskytovať pomoc,
zaregistrujte svoj spotrebič na www.whirlpool.eu/register.

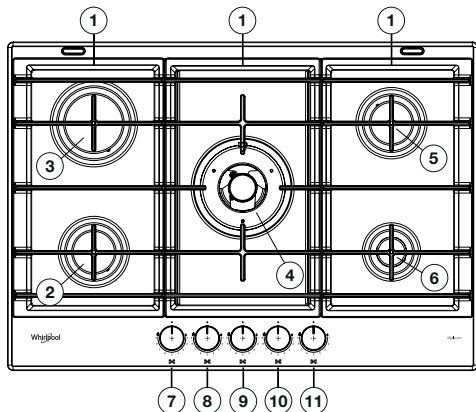


Prv než spotrebič začnete používať, pozorne si prečítajte Bezpečnostné pokyny.

**VIAC INFORMÁCIÍ ZÍSKATE,
AK OSKENUJETE QR KÓD NA
VAŠOM SPOTREBIČI**



OPIS SPOTREBIČA



1. Snímateľná mriežka
2. Rýchly horák
3. Stredne rýchly horák
4. Horák s dvoma prstencami
5. Stredne rýchly horák
6. Pomocný horák
7. Ovládací gombík stredne rýchle horáka
8. Ovládací gombík rýchleho horáka
9. Ovládací gombík horáka s dvoma prstencami
10. Ovládací gombík stredne rýchle horáka
11. Ovládací gombík pomocného horáka

Symbyly

- Plný krúžok ● Kohútik je zatvorený
- Veľký plameň 🔥 Maximálne otvorenie alebo maximálny výkon/elektrické zapálenie
- Malý plameň 🔥 Minimálne otvorenie alebo znížený prívod plynu



KAŽDODENNÉ POUŽÍVANIE

AKO POUŽÍVAŤ VARNÚ DOSKU

⚠ Nedovoľte, aby plameň horáka presahoval cez okraj panvice.

DÔLEŽITÉ UPOZORNENIE: počas používania varnej dosky sa môže rozohriať celý jej povrch.

- aby ste zapálili horák, otočte príslušné ovládacie gombíky smerom vľavo do polohy maximálneho plameňa.
- Zatláčajte gombík proti ovládaciemu panelu, aby ste horák zapálili.
- Po zapálení horáka podržte gombík stlačený ešte približne 5–10 sekúnd, aby sa zabezpečila činnosť poisťky.
- Táto poisťka zastaví unikanie plynu v prípade náhodného zhasnutia plameňa horáka (prievan, momentálne prerušenie dodávky plynu, vykypenie tekutiny na horák atď.).
- **Gombík nesmie ostať stlačený dlhšie ako 15 sekúnd. Ak po uplynutí tejto doby horák neostane horieť, počkajte aspoň jednu minútu, až potom sa pokúste horák znovu zapáliť.**

POZNÁMKA: ak by sa horák následkom špecifických podmienok pri miestnej dodávke plynu ťažko zapaloval, odporúčame vám zopakovať uvedený postup s gombíkom otočeným do polohy malého plameňa.

Horák môže zhasnúť po pustení gombíka. Znamená to, že termoelektrický článok sa nezahrial dostatočne. V tomto prípade zopakujte úkony opísané vyššie. Pri náhodnom zhasnutí plameňa otočte otočný ovládač do polohy odpovedajúcej vypnutiu a pred opätovným pokusom o jeho zapálenie vyčkajte najmenej 1 minútu.

PRAKTICKÉ RADY PRI POUŽÍVANÍ HORÁKOV

Táto varná doska je vybavená horákmi s rôznymi priermi. Na zvýšenie výkonnosti horákov dodržiavajte nasledujúce pravidlá:

- používajte hrnce a panvice s rovnakým priemerom dna, ako je priemer varných zón, alebo o niečo väčším (pozrite tabuľku vpravo);
- používajte iba panvice a hrnce s rovným dnom;
- používajte správne množstvo vody na varenie a na hrncoch používajte pokrievky;
- nedovoľte, aby hrnce na mriežkach presahovali cez okraj varnej dosky;
- v prípade panvíc s vypuklým dnom (wok) použite podpornú mriežku (nie je súčasťou dodávky), ktorú však možno umiestniť iba na viackruhový horák;
- zabráňte nárazom hrncov, mriežok alebo iného kuchynského náradia,
- nenechávajte prázdne nádoby na zapnutom sporáku dlhšie ako 5 minút.

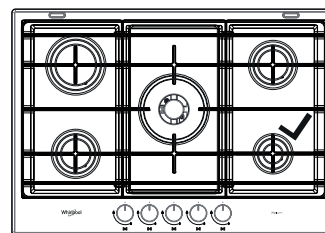
DÔLEŽITÉ UPOZORNENIE: Nevhodné používanie mriežky môže zapríčiniť poškodenie platne sporáka: nekladte preto mriežku opačne, ani ju neposúvajte po ploche platne.

HORÁK	Ø NÁDOBY
2 kruhy	24 až 26 cm
Rýchly	24 až 26 cm
Stredne rýchly	16 až 22 cm
Pomocný	8 až 14 cm

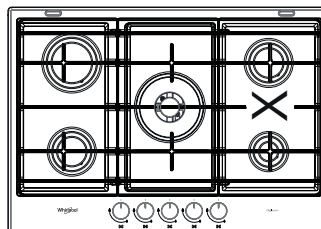
Neodporúčame Vám používať:

- Liatinové panvice, kameninové nádoby, hlinené kastróly alebo keramické hrnce.
- Rozptylovače plameňa vo forme kovovej mriežky alebo iné.
- Použitie dvoch horákov súčasne pre jednu oválnu nádobu (napr. na prípravu ryby).

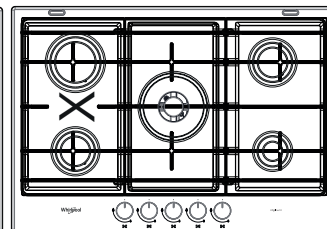
SPRÁVNE UMIESTNENIE MRIEŽOK



OK



NO



NO

REGULÁCIA PRE ODLIŠNÉ DRUHY PLYNU

⚠ Tento úkon musí vykonať vyškolený technik.

Ak má byť spotrebič napájaný iným plynom ako je uvedené na štítku s technickými údajmi a na informačnej nálepke umiestnenej na varnej doske, vymerajte dýzy. Odlepte informačnú nálepku a nalepte ju do návodu na použitie.

Použite regulátory tlaku vhodné pre tlak plynu uvedený v Pokynoch:

- Plynový vstrekovač musia vymeniť v popredajovom servise alebo to musí vykonať kvalifikovaný technik er;
- Vstrekovač sa nedodáva so spotrebičom, musíte ho objednať prostredníctvom popredajového servisu;
- Upravte minimálne nastavenie kohútov.

POZNÁMKA: pri používaní skvapalneného ropného plynu (G30/G31), musí byť skrutka minimálneho nastavenia plynu čo najviac zatahnutá.

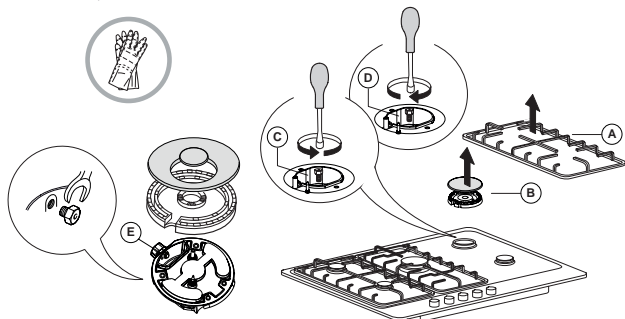
DÔLEŽITÉ UPOZORNENIE: ak by ste mali ťažkosti s otočením gombíkov horákov, prosím, kontaktujte pracovníkov servisu, aby ventil horáka vymenili, ak je chybný.

DÔLEŽITÉ UPOZORNENIE: ak sa používa tlaková plynová nádoba, tlaková plynová nádoba alebo plynový zásobník musia byť správne osadené (vertikálne smerovanie).

VÝMENA DÝZ (pozrite tabuľku dýz v Bezpečnostných pokynoch)

⚠ Tento úkon musí vykonať vyškolený technik.

- Odstráňte mriežky (A).
- Vyberte horáky (B).
- Použitím nástrčného kľúča vhodnej veľkosti odskrutkujte dýzu (C), ktorú treba vymeniť.
- Nahraďte vhodnou dýzou pre nový druh plynu.
- Znovu namontujte dýzu v (D).
- Ak máte horák so zložitou korunkou, použite pri výmene dýzy bočný objímkový kľúč (E).



Pred inštaláciou varnej dosky nezabudnite pripevniť štítok s kalibráciou plynu, ktorý sa dodáva s dýzami tak, aby zakryl existujúce informácie týkajúce sa kalibrácie plynu.

UPRAVENIE MINIMÁLNEHO NASTAVENIA PLYNOVÝCH KOHÚTOV

⚠ Tento úkon musí vykonať vyškolený technik.

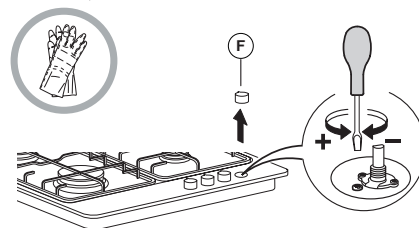
Reguláciu musíte vykonať s kohútom v polohe minimálneho nastavenia (malý plameň).

Primárny vzduch horákov nemusíte nastavovať.

Aby ste zabezpečili správne minimálne nastavenie, odstráňte gombík (F) a postupujte ďalej takto:

- utiahnite skrutku, aby ste znížili výšku plameňa (-);
- uvoľnite skrutku, aby ste výšku plameňa zvýšili (+).

V tomto kroku zapáľte horáky a otočte gombíky z maximálnej polohy na minimálnu polohu, aby ste skontrolovali stabilitu plameňa.



Pred ukončením nastavenia znovu utesnite, použite tesniaci vosk alebo iný vhodný materiál.

TABUĽKA NA VARENIE

ÚROVEŇ	SPÔSOB/TYP VARENIA (ODPORÚČANÉ PRE)	NIEKOĽKO RÁD PRI VARENÍ
1 – 2	UDRŽIAVANIE TEPLoty JEDLA	Ideálne na zmäkčovanie masla, jemné rozpúšťanie čokolády vo vodnom kúpeli, roztápanie malých porcií, príprava rizota.
	JEMNÉ VARENIE	
3 – 4	SLABÉ VRENIE	Ideálne pre recepty s pomalým varením (ryža, omáčky, pečené mäso, ryby) s tekutinami (napr. voda, víno, vývar) a na varenie cestovín v mlieku, udržiavanie v slabom vare.
	DUSENIE	
5 – 6	PRAŽENIE	Ideálne na rýchle o praženie, dusenie zeleniny, varenie dlhšiu dobu, predhrievanie nádob, varenie, až má jedlo krémovú konzistenciu.
	VYPRAŽANIE	
7 – 8	SMAŽENIE S MIEŠANÍM	Ideálne na o praženie dohnedu, začiatok varenia, rýchle zovretie tekutín, vysmážanie hlboko zmrazených jedál, grilovanie mäsa a rýb, udržiavanie silného varu.
	GRILOVANIE	
9	RÝCHLY OHREV	Ideálne na rýchle zvýšenie teploty jedla alebo na zohrievanie tekutín (vody).

ČISTENIE A ÚDRŽBA

⚠ Odpojte prístroj od elektrického napájania.

ČISTENIE POVRCHU VARNEJ DOSKY

- Všetky smaltované a sklenené časti sa musia čistiť teplou vodou s prídavkom neutrálneho čistiaceho prostriedku.
- Na antikorových povrchoch môžu ostať škvrny vodného kameňa alebo škvrny po dlhodobom pôsobení agresívneho čistiaceho prostriedku. Ak niečo vykypelo (voda, omáčka, káva a pod.), odstráňte zvyšky ešte predtým, ako sa priškrvária.

- Povrch čistite teplou vodou a neutrálnym čistiacim prostriedkom, potom osušte mäkkou handrou alebo jelenicou. Zapečené škvrny odstráňte špeciálnym čističom na antikorové povrchy.

POZNÁMKA: antikorový povrch čistite výhradne mäkkou handrou alebo špongiou.

- Nepoužívajte abrazívne alebo korozívne prostriedky, čističe s obsahom chlóru alebo drôtenky na panvice..
- Nepoužívajte spotrebiče využívajúce na čistenie paru.
- Nepoužívajte horľavé výrobky.

- Nenechajte na varnej doske pôsobiť kyselinu alebo alkalické látky, ako ocot, horčicu, soľ, cukor alebo citrónovú šťavu.

ČISTENIE DIELCOV VARNEJ DOSKY

- Sklo a smaltované diely čistite výlučne jemnou handričkou alebo špongiou.
- Mriežky, viečka horákov a horáky môžete pred čistením vybrať.
- Umývajte ich ručne v teplej vode a neabrazívnym čistiacim prostriedkom, pozorne odstráňte všetky zvyšky jedál a skontrolujte, či nie sú upchaté otvory horáka.
- Opláchnite a pozorne osušte.
- **Liatinové rošty možno umývať v umývačke riadu.**
Pred umiestnením roštov do najspodnejšieho koša umývačky riadu odstráňte všetky pripáleniny.

- Horáky a viečka horákov vráťte na miesta.
- Pri umiestňovaní mriežok dávajte pozor, aby oblasť polohy hrncov bola zarovnaná s horákmi.
- Modely vybavené elektrickým zapáľovaním a bezpečnostnou poistkou vyžadujú dokonalé očistenie zapáľovania, aby bola zabezpečená ich správna činnosť. Kontrolujte tieto prvky často a podľa potreby ich čistite vlhkou handričkou. Akékoľvek zapečené zvyšky jedál treba odstrániť špáradlom alebo ihlou.

POZNÁMKA: aby ste predišli poškodeniu zariadenia elektrického zapáľovania, nepoužívajte ho, keď horáky nie sú na svojich miestach.

RIEŠENIE PROBLÉMOV

Ak by varná doska nefungovala správne, predtým, ako zavoláte servis, skúste problém vyriešiť pomocou príručky na odstraňovanie problémov.

1. Ak sa horák nedá zapáliť alebo plameň nie je rovnomerný

Skontrolujte, či:

- Dodávka plynu alebo elektriny nie je prerušená a hlavne, či je otvorený kohút plynovej prípojky.
- Je prázdna tlaková plynová nádoba (kvapalný plyn).
- Otvory horáka nie sú upchaté.
- Koncovka zapáľovania nie je špinavá.
- Všetky časti horáka sú umiestnené na svojich miestach.
- V blízkosti varnej dosky nie je prieván.

2. Horák prestane horieť.

Skontrolujte, či:

- Pri zapálení horáka bol gombík stlačený dosť dlho na to, aby sa aktivovalo ochranné zariadenie.
- Otvory horáka v blízkosti termoelektrického článku nie sú upchaté.
- Koncovka bezpečnostnej poistky nie je špinavá.
- Minimálne nastavenie horáka je správne (pozrite príslušnú časť).

3. Nádoby nie sú stabilné.

Skontrolujte, či:

- Dno nádoby je úplne ploché.
- Nádoba je v strede horáka.
- Mriežky nie sú zamenené alebo nesprávne umiestnené.

Ak po hore uvedených kontrolách porucha pretrváva, zavolajte najbližšie servisné stredisko

PO-PREDAJNÝ SERVIS

Aby sme vám mohli lepšie poskytovať pomoc, zaregistrujte, prosím, svoj spotrebič na www.whirlpool.eu/register.

PREDTÝM, NEŽ ZAVOLÁTE POPREDAJNÝ SERVIS:

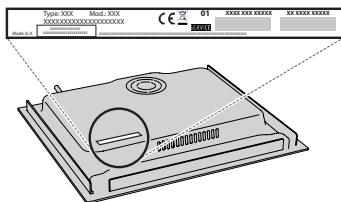
1. Zistite, či nedokážete problém vyriešiť sami s pomocou návrhov riešení uvedených v časti **RIEŠENIE PROBLÉMOV**.
2. Spotrebič vypnite a opäť zapnite, aby ste skontrolovali, či chyba pretrváva.

AK PO KONTROLÁCH UVEDENÝCH VYŠŠIE PORUCHA NAĎALEJ PRETRVÁVA, SPOJTE SA S NAJBLIŽŠÍM AUTORIZOVANÝM SERVISNÝM STREDISKOM.

Ak potrebujete pomoc, volajte na číslo uvedené v záručnej knižke alebo postupujte podľa pokynov na webovej stránke www.whirlpool.eu.

Pri kontaktovaní nášho zákazníckeho popredajného servisu vždy uveďte:

- stručný opis poruchy;
- presný typ a model spotrebiča;



- sériové číslo (číslo uvedené po slove SN na výkonnostnom štítku umiestnenom pod prístrojom). Sériové číslo je tiež uvedené v dokumentácii;



Mod. **xxx xxx**
Ind.C. **xxxx xxxx xxxx**
SN: **xxxx xxxx xxxx**
Prod.N. **xxxx xxxx xxxx**

- vašu úplnú adresu;
- vaše telefónne číslo.

Ak je nevyhnutné spotrebič opraviť, obráťte sa na autorizované servisné stredisko (zaručí sa tým použitie originálnych náhradných dielov a správny postup pri oprave).

Zásady, štandardnú dokumentáciu a ďalšie informácie o výrobku nájdete:

- Použitie QR kódu vo vašom spotrebiči;
- Na našej webovej stránke docs.whirlpool.eu/docs;
- Prípadne **sa obráťte na náš popredajný servis** (telefónne číslo nájdete v záručnej knižke). Pri kontaktovaní nášho popredajného servisu uveďte, prosím, kódy z výrobného štítku vášho spotrebiča.



⚠ Ta navodila veljajo, če se na aparatu pojavi simbol države. Če se simbol ne pojavi na aparatu, glejte tehnična navodila, v katerih boste našli napotke glede prilagoditve aparata pogojem za uporabo v dani državi.

⚠ **POZOR:** Uporaba plinskega kuhalnika v prostoru namestitve ustvarja toploto, vlago in ostanke zgorevanja. Poskrbite za dobro prezračevanje kuhinje, kar še posebej velja med uporabo aparata: prezračevalne odprtine naj bodo odprte, lahko pa namestite tudi mehansko prezračevalno napravo (mehanska kuhinjska napa). Če aparat dalj časa intenzivno uporabljate, boste morebiti morali poskrbeti za dodatno prezračevanje, tako da odprete okno ali zagotovite učinkovitejše prezračevanje, na primer s povečanjem stopnje mehanskega prezračevanja (če je mogoče).

⚠ Neupoštevanje napotkov iz tega priročnika lahko povzroči požar ali eksplozijo, ki lahko ima za posledico materialno škodo ali telesne poškodbe.

Pred uporabo aparata preberite ta varnostna navodila. Navodila za prihodnjo uporabo hranite na dosegu roke. V navodilih za uporabo in na aparatu so pomembna varnostna navodila, ki jih mora uporabnik prebrati in vedno upoštevati. Proizvajalec ne prevzema odgovornosti v primeru neupoštevanja varnostnih navodil, nepravilne uporabe aparata ali napačne nastavitve upravljalnih elementov.

⚠ **OPOZORILO:** če na površini kahalne plošče opazite razpoke, aparata ne uporabljajte, saj obstaja nevarnost električnega udara.

⚠ **OPOZORILO:** Nevarnost požara: Na kahalnih površinah ne shranjujte predmetov.

⚠ **POZOR:** Postopek kuhanja je treba nadzorovati. Postopek kratkotrajnega kuhanja je treba nenehno nadzorovati.

⚠ **OPOZORILO:** nenadzorovano kuhanje na kahalni plošči z mastjo ali oljem je lahko nevarno, saj obstaja možnost požara. NIKOLI ne skušajte pogasiti ognja z vodo, ampak napravo izključite in nato pokrijte plamen npr. s pokrovom ali požarno odejo.

⚠ Kuhalne plošče ne uporabljajte kot delovni pult ali podlago. Pazite, da aparat ne pride v stik s krpami ali drugimi vnetljivimi predmeti, dokler se vse komponente povsem ne ohladijo, saj lahko pride do požara.

⚠ Zelo majhni otroci (0–3 leta) ne smejo biti v bližini aparata. Majhni otroci (3–8 let) ne smejo biti v bližini aparata brez stalnega nadzora. Otroci, stari 8 let ali več, in osebe z omejenimi telesnimi, čutnimi ali razumskimi sposobnostmi oz. osebe, ki nimajo izkušenj in znanja, lahko aparat uporabljajo le, če so pod nadzorom oz. če so bili poučeni o varni uporabi aparata in se zavedajo morebitnih nevarnosti. Otroci se z aparatom ne smejo igrati. Otroci brez nadzora ne smejo čistiti ali vzdrževati aparata.

⚠ **POZOR:** če steklo kahalne plošče počni, nemudoma izklopite vse gorilnike in električne grelnike ter prekinite napajanje aparata; ne dotikajte se površine aparata; aparata ne uporabljajte.

Če se stekleni pokrov segreje, lahko počni. Preden zaprete pokrov, izklopite vse gorilnike in električne plošče. Pokrova ne zaprite, ko gorilnik deluje.

⚠ **OPOZORILO:** Aparat in dostopni deli se med uporabo segrejejo. Pazite, da se ne dotaknete grelnikov. Otroci, mlajši od 8 let, se ne smejo zadrževati v bližini aparata, če niso pod stalnim nadzorom.

⚠ Živila ne smejo ostati v ali na izdelku več kot eno uro pred ali po kuhanju.

DOVOLJENA UPORABA

⚠ **POZOR:** aparat ni namenjen upravljanju z zunanjimi upravljalnimi napravami, kot sta časovnik ali ločen daljinski upravljalnik.

⚠ Aparat je namenjen uporabi v gospodinjstvu in temu podobnim načinom uporabe, kot so: v kuhinjah za osebe v trgovinah, pisarnah in drugih delovnih okoljih, na kmetijah, za goste v hotelih, motelih in prebivalce drugih stanovanjskih okolij.

⚠ Druga uporaba ni dovoljena (npr. segrevanje prostorov).

⚠ Aparat ni namenjen profesionalni uporabi. Aparata ne uporabljajte na prostem.

⚠ Uporabljajte posodo, ki ima dno enake širine kot gorilniki ali rahlo širše (glejte ustrezno preglednico). Pazite, da posode na rešetkah ne segajo čez rob kuhališča.

⚠ Nepravilna uporaba mrež lahko poškoduje kuhališče: ne postavljajte mrež na glavo in ne vlecite jih po kuhališču.

Plamen gorilnika ne sme segati čez rob posode.

Površina kahalne plošče je izdelana iz stekla, zato ne uporabljajte rešetk iz litega železa, kamnitih posod in posod iz terakote.

Ne uporabljajte: Difuzorjev toplote, kot je kovinska mrežica, ali drugih vrst. Dveh gorilnikov hkrati za eno posodo (npr. posoda za pripravo rib).

Če lokalni pogoji dovoda plina otežujejo vžig gorilnika, priporočamo, da postopek ponovite tako, da gumb obrnete na nastavitev za majhen plamen.

Če nad kahalno površino namestite napo, glejte navodila nape za ustrezno razdaljo. Gumirane zaščitne nogice pod rešetkami bi otroci lahko pogoltnili in se zadušili. Ko odstranite mreže, se prepričajte, da so vse noge pravilno nameščene.

NAMESTITEV

⚠ Za premikanje in namestitev aparata sta potrebni najmanj dve osebi – nevarnost poškodb. Za odstranjevanje embalaže in namestitev aparata uporabite zaščitne rokavice – nevarnost ureznin.

⚠ Električni in plinski priključki morajo biti skladni z lokalnimi predpisi.

⚠ Namestitev aparata, vključno z dovodom vode (če je ta prisoten) in električnimi priključki, ter popravila smejo izvajati samo usposobljeni tehniki. Ne popravljajte ali menjajte katerega koli dela aparata, razen če to ni izrecno navedeno v navodilih za uporabo. Otroci se mestu namestitve ne smejo približevati. Ko aparat odstranite iz embalaže, se prepričajte, da med prevozom ni bil poškodovan. Če se pojavijo težave, se obrnite na prodajalca ali na najbližji servisni center. Ko je aparat nameščen, ostanke embalaže (plastika, deli iz stiropora itd.) shranite izven dosega otrok – nevarnost zadušitve. Preden aparat namestite, ga odklopite z električnega omrežja – nevarnost električnega udara. Med namestitvijo pazite, da aparat ne poškoduje napajalnega kabla – nevarnost požara ali

električnega udara. Aparat vklopite šele, ko je namestitev končana.

⚠ **OPOZORILO:** način namestitve in prilagoditve aparata so zelo pomembni za varno ter pravilno uporabo aparata v vseh pogojih.

⚠ Uporabljajte tlačne regulatorje, ki so primerni za tlak plina, naveden v navodilih.

⚠ Prostor mora biti opremljen z odsesovalnim sistemom, ki odstrani vse hlape zgorevanja. To je lahko napa ali električni ventilator, ki se samodejno zažene ob vsakem vklopu aparata.

⚠ V prostoru mora biti poskrbljeno za ustrezno kroženje zraka, saj je zrak pomemben za zagotavljanje zgorevanja. Zračni tok ne sme pasti pod 2 m³/h na kW moči.

⚠ Sistem za kroženje zraka lahko s cevjo z notranjim presekom vsaj 100 cm² zrak zajame neposredno od zunaj; nevarnost za zamašitev odprtine ne sme obstajati.

⚠ Sistem zrak za zgorevanje zagotavlja tudi neposredno iz sosednjih prostorov, pri čemer morajo biti nameščene cevi za kroženje zraka (kot je opisano zgoraj). Ti prostori ne smejo biti dnevna soba, spalnice in sobe, v katerih obstaja nevarnost požara.

⚠ Utekočinjen naftni plin se spusti na tla, saj je težji od zraka. Sobe, v katerih so jeklenke z utekočinjenim naftnim plinom, morajo biti opremljene z zračniki, ki omogočajo odvajanje plina v primeru puščanja. Polnih ali delno napolnjenih jeklenk z utekočinjenim naftnim plinom torej ni dovoljeno namestiti ali shranjevati v podzemnih prostorih ali skladiščih (kleti itd.). Priporočamo, da v prostoru hranite samo jeklenko, ki jo uporabljate, pri čemer jo namestite tako, da nanjo ne vpliva toplota zunanjih virov (pečice, kamini, štedilniki itd.), ki bi lahko jeklenko segreti nad 50 °C.

Če se gumbi gorilnikov težko vrtijo, se obrnite na servisno službo za zamenjavo ventila gorilnika, če je pokvarjen.

Odprtini za prezračevanje in odvajanje toplote nikdar ne prekrivajte.

⚠ Vse potrebne izreze v element izvedite pred vgradnjo aparata ter odstranite vse lesene trske in žagovino.

⚠ Če aparat ni vgrajen nad pečico, je treba v predel pod aparatom vgraditi ločevalno ploščo (ni priložena).

PLINSKI PRIKLJUČEK

⚠ **OPOZORILO:** pred namestitvijo se prepričajte, da je nastavitev aparata skladna z lokalnimi oskrbovalnimi pogoji (vrsta plina in tlak plina).

⚠ Preverite, ali tlak dovoda plina ustreza vrednostim v preglednici „Lastnosti gorilnika in šobe“.

⚠ **OPOZORILO:** pogoji za nastavitev aparata so navedeni na nalepki (ali podatkovni ploščici).

⚠ **OPOZORILO:** aparat ni povezan z napravo za odvajanje ostankov zgorevanja. Nameščen in priključen mora biti skladno z veljavnimi predpisi za namestitev. Posebno pozornost je treba posvetiti ustreznim zahtevam glede prezračevanja.

⚠ Če je aparat priključen na utekočinjen plin, mora biti regulacijski vijak popolnoma privit.

⚠ **POMEMBNO:** Če sta nameščena plinska jeklenka ali plinski vsebnik, ju morate pravilno obrniti (navpično).

⚠ **OPOZORILO:** to delo mora izvesti usposobljen tehnik.

⚠ Za priklop plina uporabljajte samo upogibno ali togo kovinsko cev.

⚠ Prikluček s togo cevjo (bakreno ali jekleno) Prikluček na plinski sistem je treba izvesti tako, da ne obremenjuje aparata. Na vhodnem območju aparata je nastavljen L-prikluček za cev, v katerem je tesnilo za preprečevanje puščanja plina. Ob vsakem zasuku priključka za cev je treba zamenjati tesnilo (tesnilo je priloženo aparatu). Prikluček cevi za dovod plina je cilindrični moški priključek 1/2 z navojem.

⚠ Namestitev gibke cevi iz nerjavnega jekla na navojni priključek. Prikluček za dovod plina je cilindrični moški priključek 1/2 z navojem. Cevi morajo biti nameščene tako, da v popolnoma iztegnjenem stanju nikoli ne presežejo 2000 mm. Po priključitvi se prepričajte, da se gibka kovinska cev ne dotika premičnih delov in da ta ni stisnjena. Uporabljajte samo cevi in tesnila, ki so v skladu z veljavnimi nacionalnimi predpisi.

⚠ **POMEMBNO:** če uporabljate gibko cev iz nerjavnega jekla, mora biti nameščena tako, da se ne dotika premičnih delov pohištva (npr. predalov). Speljana mora biti skozi območje, kjer ni ovir in kjer jo je mogoče pregledati po celotni dolžini.

⚠ Aparat je treba na glavni dovod plina ali na plinsko jeklenko priključiti v skladu z veljavnimi nacionalnimi predpisi. Pred priključitvijo se prepričajte, da aparat ustreza dovodu plina, ki ga želite uporabiti. V nasprotnem primeru upoštevajte navodila v odstavku „Prilagoditev za različne vrste plina“.

⚠ Po priklopu na dovod plina preverite morebitno puščanje z milnico. Prižgite gorilnike ter gumb zavrtite iz položaja za najvišjo vrednost 1* v položaj za najnižjo vrednost 2*, da preverite stabilnost plamena.

PRILAGODITEV ZA RAZLIČNE VRSTE PLINA

(To delo mora opraviti usposobljen tehnik).

⚠ Za prilagoditev aparata na vrsto plina, za katero aparat ni bil proizveden (naveden na tipski ploščici), upoštevajte predpisane korake za shemo namestitve.

OPOZORILO GLEDE ELEKTRIČNEGA TOKA

⚠ **POMEMBNO:** Podatki o porabi toka in napetosti so navedeni na napisni tablici.

⚠ Prekinitiv napajanja aparata mora biti mogoča z izklopom vtiča, če je ta na dosegu roke, ali z večpolnim stikalom, ki je v skladu s predpisi za ožičenje nameščeno na vodu med vtičnico in aparatom. Aparat mora biti ozemljen v skladu z državnimi standardi glede električne varnosti.

⚠ Napajalni kabel mora biti dovolj dolg, da bo aparat mogoče priključiti na električno omrežje, ko bo ta nameščen na ustrezno mesto. Ne vlecite napajalnega kabla.

⚠ Prepovedana je uporaba podaljškov, razdelilnih vtičnic in adapterjev. Električne komponente po namestitvi aparata uporabnikom ne smejo biti dostopne. Aparata ne uporabljajte, kadar ste mokri ali bos. Aparata ne uporabljajte, če ima poškodovan napajalni kabel ali vtič, če ne deluje pravilno oziroma če je bil poškodovan ali je padel.

⚠ Za preprečevanje nevarnosti lahko poškodovan napajalni kabel z enakim kablom nadomesti le proizvajalec, njegov serviser ali podobno usposobljena oseba – nevarnost električnega udara.

ČIŠČENJE IN VZDRŽEVANJE

⚠ **OPOZORILO:** Aparat morate pred vzdrževalnimi deli izklopiti in izključiti z električnega napajanja; ne uporabljajte parnih čistilcev, saj obstaja nevarnost električnega udara.

⚠ Ne uporabljajte abrazivnih ali korozivnih izdelkov, čistil na osnovi klora ali žičnatih gobic.

⚠ Da bi preprečili poškodbe električne vžigalne naprave, je ne uporabljajte, če gorilniki niso v ohišju.

ODSTRANJEVANJE EMBALAŽE

Embalažo je mogoče povsem reciklirati in je označena s simbolom za recikliranje




Dele embalaže zato zavrzite odgovorno in v skladu s predpisi pristojnih služb, ki urejajo odlaganje odpadkov.

ODSTRANJEVANJE GOSPODINJSKIH APARATOV

Aparat je izdelan iz materialov, ki jih je mogoče reciklirati ali ponovno uporabiti. Aparat zavrzite v skladu z veljavnimi lokalnimi predpisi. Dodatne informacije o odstranjevanju in recikliranju električnih gospodinjskih aparatov lahko dobite na pristojnem občinskem uradu, pri komunalni službi ali v trgovini, kjer ste aparat kupili. Aparat je označen v skladu z evropsko Direktivo 2012/19/EU o odpadni električni in elektronski opremi (OEEO) in uredbami o odpadni električni in elektronski opremi (WEEE) iz leta 2013 (v veljavni različici).

Aparat odložite na predvidenih zbirnih mestih, saj lahko s tem preprečite škodljive posledice za okolje in zdravje ljudi.

Simbol  na izdelku ali priloženi dokumentaciji pomeni, da je aparat prepovedano odlagati med gospodinjske odpadke. Oddati ga je treba na zbirnem centru za recikliranje električne in elektronske opreme.

NASVETI ZA VARČEVANJE Z ENERGIJO

Uporabljajte posodo, ki ima dno enake širine kot kuhhalno območje.

Uporabljajte samo posode z ravnim dnom.

Če je možno, naj bodo med kuhanjem na posodah pokrovke.

Z ekonom loncem prihranite še več energije in časa.

IZJAVA O SKLADNOSTI

Ta naprava je skladna z zahtevami za okoljsko primerno zasnovano uredbo Komisije (EU) št. 66/2014 in uredbami iz leta 2019 za okoljsko primerno zasnovane izdelke, povezanih z energijo, in energetske informacije (sprememba) (izstop iz EU) v skladu z evropskim standardom EN 30-2-1.

Vrsta uporabljenega plina	Vrsta gorilnika	Oznaka injektorja	Nazivni toplotni pretok kW	Nazivna poraba	Znižena toplotna kapaciteta kW	Plinski tlak mbar		
						najm.	naz.	najv.
ZEMELJSKI PLIN (Metan) G20	Hitri (R)	128 B	3,00	286 l/h	0,70	17	20	25
	Polhitri (SR)	97	1,75	167 l/h	0,40			
	Pomožni (AUX)	78 A	1,00	95 l/h	0,40			
	2 obročni gorilnik (DC)	141	4,00	381 l/h	2,20			
UTEKOČINJENI NAFTNI PLIN (Butan) G30	Hitri (R)	87	3,00	218 g/h	0,70	20	30	35
	Polhitri (SR)	67	1,75	127 g/h	0,40			
	Pomožni (AUX)	50	1,00	73 g/h	0,40			
	2 obročni gorilnik (DC)	94	3,70	269 g/h	2,20			
UTEKOČINJENI NAFTNI PLIN (Propan) G31	Hitri (R)	87	3,00	214 g/h	0,70	20	30	35
	Polhitri (SR)	67	1,75	125 g/h	0,40			
	Pomožni (AUX)	50	1,00	71 g/h	0,40			
	2 obročni gorilnik (DC)	94	3,70	264 g/h	2,20			

Vrsta uporabljenega plina	Konfiguracija modela 5 GORILNIKOV	Nazivni toplotni pretok (kW)	Skupna nazivna poraba	Zahtevan zrak (m ³) za izgorevanje 1m ³ plina
G20 20 mbar	1R - 2SR - 1AUX - 1DC	11,50	1095 l/h	9,52
G30 30 mbar	1R - 2SR - 1AUX - 1DC	11,20	814 g/h	30,94
G31 30 mbar	1R - 2SR - 1AUX - 1DC	11,20	800 g/h	23,80

ELEKTRICKÉ NAPÁJANIE: 220-240 V ~ 50-60 Hz -0,6W

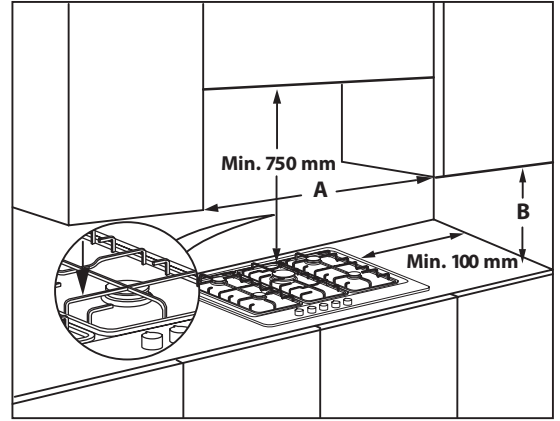
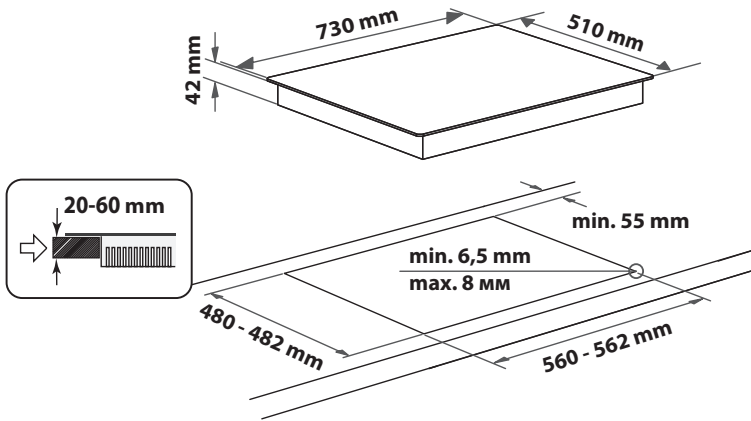


NAMESTITEV (RAZRED 3)

TEHNIČNE INFORMACIJE ZA INŠTALATERJA

- Za delo, pripravo in nameščanje uporabite zaščitne rokavice.
- Ta izdelek lahko vdolate v delovno površino debeline od 20 do 60 mm.
- Če pod kuhališčem ni pečice, vstavite ločevalno ploščo, katere površina je vsaj enaka odprtini v delovni površini. Ta plošča mora biti postavljena največ 150 mm pod zgornjo površino delovne površine, a ne manj kot 20 mm od dna kuhališča. Če nameravate pod kuhališče vgraditi pečico, mora ta biti opremljena s hladilnim sistemom.

DIMENZIJE IN RAZDALJE



OPOMBA: Če je razdalja "A" med stenskimi elementi med 600mm in 730 mm, mora biti višina "B" najmanj 530 mm. Če je razdalja "A" med stenskimi omaricami večja od širine kuhalne plošče, mora biti višina "B" najmanj 400 mm. Če nad kuhavno površino namestite nape, glejte navodila nape za ustrezno razdaljo.

SESTAVLJANJE

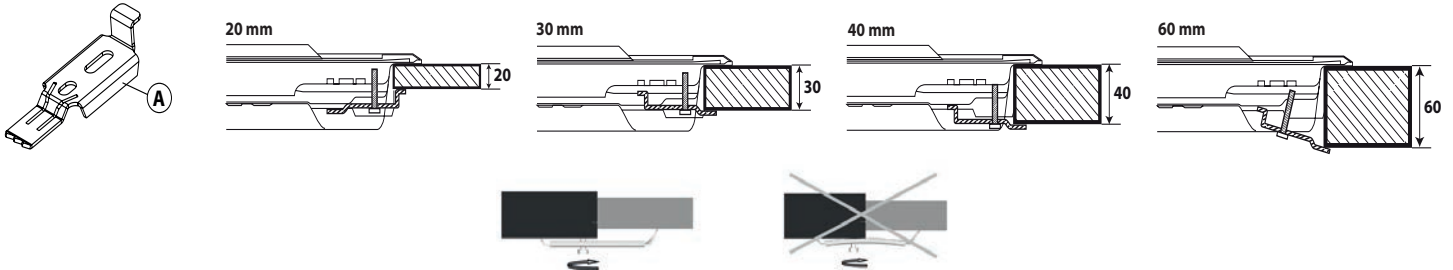
Ko očistite površino obsega, na kuhavno ploščo namestite priloženo tesnilo, kot je prikazano na sliki.

Postavite kuhališče v odprtino na delovni površini, ki je bila izrezana po dimenzijah v navodilih.



OPOMBA: Napajalni kabel mora biti dovolj dolg, da ga lahko izvlečete v smeri navzgor.



Za pritrditev gorilnika uporabite priložene nosilce (A). Namestite nosilce v ustrezne izvrtine, prikazane s puščico, in jih privijte z vijaki glede na debelino delovne površine (glejte naslednje slike).

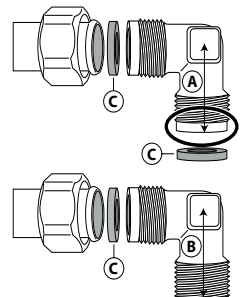


PLINSKI PRIKLJUČEK

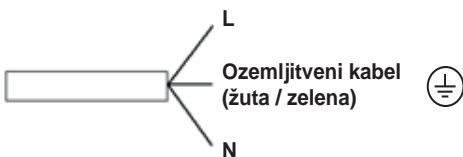
- Priklopite koleno (A)* ali (B)*, ki je priloženo kuhališču, na glavno dovodno cev kuhališča in namestite priloženo podložko (C) skladno z EN 549.

* Za Francijo uporabite koleno (A), za vse druge lokacije pa (B).

- Po priklopu na dovod plina preverite morebitno puščanje z milnico. Prižgite gorilnike in obrnite gumbe z največjega plamena  na najmanjši plamen , da preverite stabilnost plamena.



ELEKTRIČNI PRIKLJUČEK



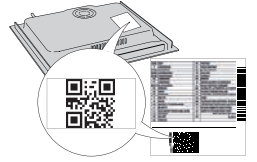


HVALA, KER STE SE ODLOČILI ZA IZDELEK WHIRLPOOL
Če želite celovitejšo pomoč, izdelek registrirajte na spletni strani www.whirlpool.eu/register.

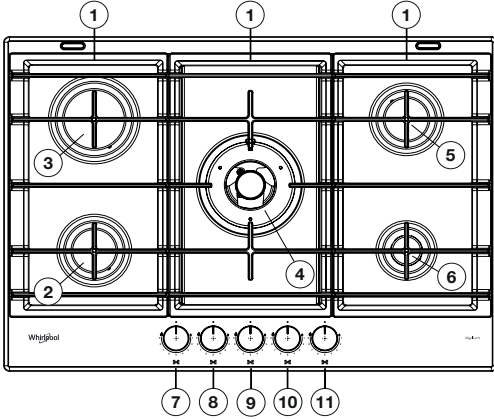


Pred uporabo aparata pozorno preberite varnostna navodila.

**ZA PODROBNEJŠE INFORMACIJE
POSKENIRAJTE KODO QR NA
NAPRAVI**



OPIS IZDELKA



- Mreže za posode, ki jih je mogoče odstraniti
- Polhitri gorilnik
- Hitri gorilnik
- 2-obročni gorilnik
- Polhitri gorilnik
- Pomožni gorilnik
- Krmilni gumb za hitri gorilnika
- Krmilni gumb polhitrega gorilnika
- Krmilni gumb za 2-obročni gorilnika
- Krmilni gumb polhitrega gorilnika
- Krmilni gumb pomožnega gorilnika

Simboli

- | | | |
|----------------|---|--|
| Zasenčeni krog | ● | Zaprta pipa |
| Veliki plamen | 🔥 | Največja odprtina/dovod in električni vžig |
| Majhen plamen | 🔥 | Najmanjša odprtina ali zmanjšani dovod |



PRVA UPORABA

KAKO UPORABLJATI KUHALIŠČE

⚠ Plamen gorilnika ne sme segati čez rob posode.

POMEMBNO: pri uporabi kuhališča lahko celotno območje kuhališča postane vroče.

- Če želite prižgati en gorilnik, obrnite ustrezní gumb v nasprotni smeri urnega kazalca na maksimalno nastavitev plamena.
- Pritisnite gumb v nadzorno ploščo, da prižgete gorilnik.
- Ko se gorilnik prižge, pridržite gumb še nadaljnjih 5-10 sekund, da zagotovite pravilno delovanje naprave.
- Varnostna naprava gorilnika zapre dovod plina gorilniku, če se plamen po nesreči ugasne (npr. prepih, prekinitve dovoda plina, prekipevanje).
- Gumba ne smete držati več kot 15 sekund. Če po tem času gorilnik ne ostane prižgan, počakajte vsaj minuto, preden ga znova poskusite prižgati.**

OPOMBA: Če lokalni pogoji dovoda plina otežujejo vžig gorilnika, priporočamo, da ponovite postopek tako, da gumb obrnete na nastavitev za majhen plamen.

Gorilnik lahko ugasne, ko izpustite gumb. To pomeni, da se varnostna naprava ni dovolj segrela. V tem primeru ponovite postopek zgoraj. Če plamen gorilnika slučajno ugasne, izključite gumb gorilnika in ga ne poskusite znova vključiti najmanj eno minuto.

UPORABNI NASVETI ZA UPORABO GORILNIKOV

To kuhališče ima gorilnike različnih premerov. Za boljše delovanje gorilnikov upoštevajte naslednja pravila:

- uporabljajte posode, ki imajo dno enake širine kot gorilniki ali rahlo širše (glejte preglednico desno);
- uporabljajte samo posode s ploskim dnom,
- uporabljajte ustrezno količino vode za kuhanje hrane in pustite posodo pokrito, pazite, da posode na rešetkah ne segajo čez rob kuhališča,
- če uporabljate ponve s konveksnim dnom (vok), uporabite podporno rešetko (ni priložena), postavite pa jo lahko samo na gorilnik z več obroči,
- izogibajte se naključnim udarcem z lonci, žari ali drugimi kuhinjskimi pripomočki,
- ne puščajte praznih grezij na peči več kot 5 minut.

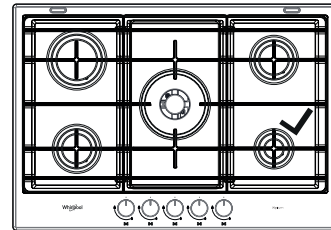
POMEMBNO: Nepravilna uporaba mrež lahko poškoduje kuhališče: ne postavljajte mrež na glavo in ne vlečite jih po kuhališču.

GORILNIK	Ø POSODE
2-Obročni	Od 24 do 26 cm
Hitri	Od 24 do 26 cm
Polhitri	Od 16 do 22 cm
Pomožni	Od 8 do 14 cm

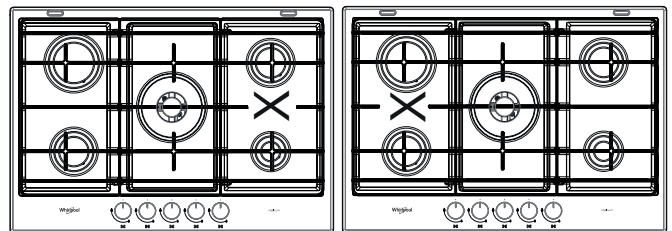
Ne uporabljajte:

- Rešetk iz litega železa, kamnitih posod in posod iz terakote.
- Difuzorjev toplote, kot je kovinska mrežica, ali drugih vrst.
- Dveh gorilnikov hkrati za eno posodo (npr. kotel za ribe).

SPRÁVNE UMIESTNENIE MREŽOK



OK



NO

NO

NASTAVITEV ZA RAZLIČNE VRSTE PLINA

⚠ To delo mora izvesti usposobljen tehnik.

Če bo ta naprava delovala z drugačno vrsto plina, kot je navedena na tipski ploščici in informativni nalepki na vrhu kuhališča, zamenjajte injektorje. Odstranite informativno nalepko in jo shranite v knjižico z navodili.

Uporabljajte tlačne regulatorje, ki so primerni za tlak plina, naveden v navodilih.

- Injektor za plin mora zamenjati servisna služba ali usposobljen tehnik.
- Injektor, ki ni priložen napravi, morate naročiti pri servisni službi.
- Nastavite minimalno nastavitve ventilov.

OPOMBA: Če uporabljate utekočinjeni naftni plin (G30/G31), mora biti vijak za minimalno nastavitvev plina zategnjen, kolikor je mogoče.

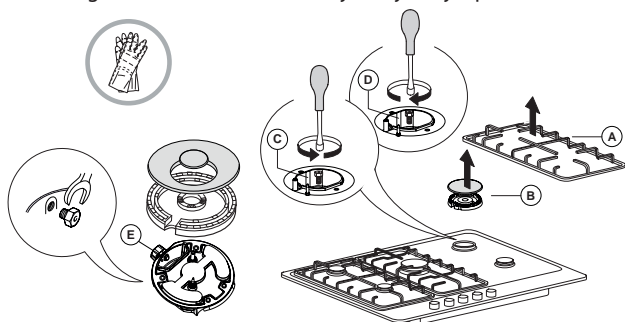
POMEMBNO: Če gumbe gorilnika stežka obračate, se obrnite na servisno službo za zamenjavo ventila gorilnika, če se ugotovi, da je okvarjen.

POMEMBNO: Če uporabljate plinsko jeklenko, morate jeklenko ali vsebnik pravilno obrniti (navpično).

ZAMENJAVA INJECTORJEV (glejte tabelo injektorjev v varnostnih navodilih)

! To delo mora izvesti usposobljen tehnik.

- Odstranite mreže (A).
- Odstranite gorilnike (B).
- Z nasadnim ključem ustrezne velikosti odvijte injektor (C), ki ga boste zamenjali.
- Zamenjajte ga z injektorjem, ki je primeren za novo vrsto plina.
- Znova sestavite injektor v (D).
- Če imate gorilnik z več obroči, za zamenjavo injektorja uporabite stranski ključ (E).



Preden namestite kuhališče, morate pritrditi ploščico za umerjanje plina, ki je priložena injektorjem, tako da pokriva obstoječe informacije glede umerjanja plina.

NASTAVLJANJE MINIMALNE NASTAVITVE PLINA

! To delo mora izvesti usposobljen tehnik.

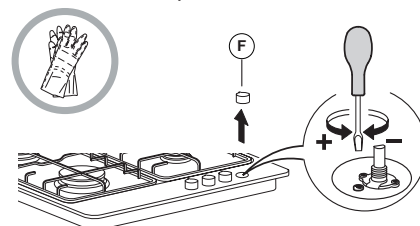
Nastavitve morate izvesti, ko je ventil na položaju za minimalni dovod plina (majhen plamen).

Primarnega dovoda zraka gorilnikov ni treba nastavljanje.

Da zagotovite, da je minimalna nastavitvev pravilno nastavljen, odstranite gumb (F) in storite naslednje:

- privijte vijak, da zmanjšate višino plamena (-);
- popustite vijak, da zvišate višino plamena (+).

Nato prižgite gorilnike in obrnite gumbe z največjega plamena na najmanjši plamen, da preverite stabilnost plamena.



Po zaključku nastavitve jih znova zatesnite s tesnilnim voskom ali ustreznim materialom.

RAZPREDELNICA PRIPRAVE JED

RAVEN	NAČIN PRIPRAVE/VRSTA JEDI (PRIPOROČENO ZA)	NASVETI ZA PRIPRAVO JEDI
1-2	OHRANJANJE JEDI TOPLE	Idealno za mehčanje masla, nežno taljenje čokolade v vodni kopeli, odmrzovanje majhnih porcij, pripravo kremne rižote.
	NEŽNO KUHANJE	
3-4	POČASNO VRENJE	Idealno za recepte, ki zahtevajo dolgotrajno kuhanje (riž, omake, pečenka, ribe) s tekočinami (voda, vino, juha) in za kremne testenine, z ohranjanjem blagega vrenja.
	DUŠENJE	
5-6	PEČENJE	Idealno za praženje, dušenje zelenjave, daljše pripravljane jedi, predgretje pribora, pripravo kremastih jedi.
	CVRTJE	
7-8	HITRO CVRTJE	Idealno za površinsko pečenje, začetek kuhanja, hitro zavretje tekočin, cvrtje zamrznjenih izdelkov, pečenje mesa in rib, ohranjanje močnega vrenja.
	PEKA NA ŽARU	
9	HITRO GRETJE	Idealno za hitro pogrevanje živil ali za segrevanje tekočin (vode).

ČIŠČENJE IN VZDRŽEVANJE

! Aparat izklopite iz električnega napajanja

ČIŠČENJE POVRŠINE GORILNIKA

- Emajlirane in steklene dele čistite s toplo vodo in nevtralnno raztopino.
- Površine iz nerjavnega jekla lahko dobijo madeže zaradi vode, ki vsebuje kalcij, ali agresivnih detergentov, če so predolgo v stiku. Razlito hrano (voda, omake, kava itd.) takoj obrišite, preden se zasuši.
- Očistite s toplo vodo in nevtralnim detergentom, nato pa posušite z mehko krpo ali jelenovo kožo. Prižgano umazanijo odstranite z namenski čistili za površine iz nerjavnega jekla.

OPOMBA: Nerjavno jeklo čistite samo z mehko krpo ali gobico.

- Ne uporabljajte abrazivnih ali korozivnih izdelkov, čistil na osnovi klora ali žičnatih gobic.
- Ne uporabljajte parnih čistilnikov.

- Ne uporabljajte vnetljivih izdelkov.
- Na kuhališču ne puščajte kislih ali alkalnih snovi, kot so kis, gorčica, sol, sladkor ali limonov sok.

ČIŠČENJE DELOV KUHALIŠČA

- Steklene in emajlirane dele čistite samo z mehko krpo ali gobico.
- Mreže, pokrovčke gorilnikov in gorilnike lahko za čiščenje odstranite.
- Očistite jih ročno s toplo vodo in neabrazivnim detergentom, pri čemer odstranite ostanke hrane in preverite, da odprtine gorilnika niso zamašene.
- Sperite in osušite.
- **Litoželezne rešetke lahko pomivate v pomivalnem stroju. Odstranite morebitne zažgane ostanke hrane, preden rešetko namestite v spodnjo košaro pomivalnega stroja.**
- Znova namestite gorilnike in pokrovčke gorilnika v ustreznih ohišja.

- Ko znova nameščate mreže, pazite, da je območje za odlaganje posode poravnano z gorilnikom.
- Modeli, opremljeni z električnimi vžigalnimi svečkami in varnostno napravo, za delovanje potrebujejo temeljito čiščenje vžigalnega dela. Te predmete preverjajte manj pogosto, po potrebi pa jih obrišite z vlažno krpo. Vso prižgano hrano morate odstraniti z zobotrebcom ali iglo.

OPOMBA: Da bi preprečili poškodbe električne vžigalne naprave, je ne uporabljajte, če gorilniki niso v ohišju.

ODPRAVLJANJE TEŽAV

Če gorilnik ne deluje pravilno, preverite navodila za odpravljanje napak, preden kličete servis.

1. Gorilnik se ne prižge ali pa plamen ni enakomeren

Preverite, da:

- Dovod plina ali elektrike ni izklopljen, ventil za dovod plina je odprt.
- Jeklenka s plinom (utekočinjeni plin) ni prazna.
- Odprtine gorilnika niso zamašene.
- Del z vtičem ni umazan.
- Vsi deli gorilnika so pravilno postavljeni.
- V bližini kuhališča ni prepaha.

2. Gorilnik ne ostane prižgan

Preverite, da:

- Ko prižigate gorilnik, je bil gumb pritisnjen dovolj časa, da se je aktivirala zaščitna naprava.
- Odprtine gorilnika v bližini termočlena niso zamašene.
- Konec varnostne naprave ni umazan.
- Minimalna nastavitvev plina je pravilna (glejte ustrezno poglavje).

3. Posode niso stabilne

Preverite, da:

- Dno posode je popolnoma ravno.
- Posoda je na sredini gorilnika.
- Rešetke niso bile zamenjane ali nepravilno postavljene.

Če tudi po zgoraj navedenih ukrepih ne odpravite napake, pokličite najbližjo servisno službo.

SERVISNA SLUŽBA

Izdelek registrirajte na spletni strani www.whirlpool.eu/register, da vam bomo lahko nudili vsestranski servis in podpor.

PREDEN POKLIČETE SERVISNO SLUŽBO:

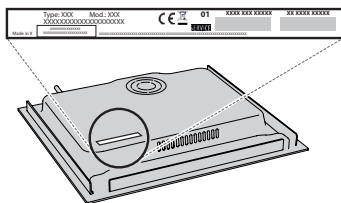
1. Preverite, ali lahko težavo odpravite sami glede na predloge v poglavju **NAVODILA ZA ODPRAVLJANJE TEŽAV**.
2. Z izklopom in ponovnim vklopom aparata preverite, ali je napaka še vedno prisotna.

ČE VAM TUDI PO ZGORAJ NAVEDENIH UKREPIH NE USPE ODPRAVITI NAPAKE, POKLIČITE NAJBLIŽJO SERVISNO SLUŽBO.

Za pomoč pokličite številko, ki je navedena v garancijski knjižici, ali upoštevajte navodila na spletni strani www.whirlpool.eu.

Ko stopite v stik z našo servisno službo, vedno navedite:

- kratek opis napake;
- tip in točen model aparata;



- Serijska številka (številka po besedi SN na napisni ploščici na spodnji strani naprave). Serijska številka je navedena tudi v dokumentaciji;



- točen naslov;
- svojo telefonsko številko.

Če je potrebno popravilo, se obrnite na pooblaščen servisno službo (za zagotovljeno uporabo originalnih nadomestnih delov in pravilno izvedbo popravila).

Do pravil uporabe, standardne dokumentacije in dodatnih informacij o izdelkih lahko dostopate na naslednje načine:

- Skenirajte QR-kodo na svojem aparatu;
- Obiščite našo spletno stran docs.whirlpool.eu/docs;
- **Obrnete se lahko tudi na našo servisno službo** (telefonske številke so navedene v servisni knjižici). Ko stopite v stik z našo servisno službo, navedite kode, ki so zapisane na identifikacijski ploščici izdelka.



⚠ Ove upute su valjane ako se na uređaju nalazi simbol dotične države. Ako se na uređaju ne nalazi simbol, potrebno je konzultirati tehničke upute koje sadrže potrebne upute koje se tiču izmjena na uređaju kako bi se prilagodio uvjetima uporabe u dotičnoj zemlji.

⚠ **OPREZ:** Uporabom plinskog štednjaka u prostoriji u kojoj je postavljen stvara se toplina, vlaga i produkti izgaranja. Pobrinite se da se kuhinja dobro prozračuje dok se uređaj koristi: držite otvore za prirodnu ventilaciju otvorenima ili ugradite uređaj za mehaničku ventilaciju (napu). Duža i intenzivnija uporaba uređaja može zahtijevati dodatnu ventilaciju, kao što je otvaranje prozora ili učinkovitiju ventilaciju, primjerice pojačavanje razine mehaničke ventilacije (ako je moguće).

⚠ Ako se točno ne pridržavate uputa iz ovog priručnika, može doći do požara ili eksplozije, a posljedično do oštećenja imovine ili ozljeda.

Prije upotrebe uređaja pročitajte ove sigurnosne upute. Sačuvajte ih za buduću referencu.

Ovaj priručnik i sam uređaj sadrže važna sigurnosna upozorenja kojih se morate stalno pridržavati. Proizvođač otklanja svaku odgovornost u slučaju nepoštivanja sigurnosnih uputa, za neprikladno korištenje ili za pogrešno podešavanje komandi.

⚠ **UPOZORENJE:** Ako je površina ploče pukla, nemojte koristiti uređaj – opasnost od električnog udara.

⚠ **UPOZORENJE:** Opasnost od požara: Nemojte čuvati predmete na površinama za kuhanje.

⚠ **PAŽNJA:** Postupak kuhanja mora se nadzirati. Kratki postupak kuhanja mora se neprestano nadzirati.

⚠ **UPOZORENJE:** Pripremanje hrane na masnoći ili ulju bez nadziranja ugradne ploče može biti opasno – opasnost od požara. **NIKADA** nemojte gasiti požar vodom, već isključite uređaj i pokrijte plamen, npr. poklopcem ili vatrootpornom dekom.

⚠ Nemojte koristiti ploču za kuhanje kao radnu površinu ili podlogu. Odjeću ili druge zapaljive materijale ne približavajte uređaju dok se sastavni dijelovi potpuno ne ohlade – opasnost od požara.

⚠ Vrlo maloj djeci (0 – 3 godina) ne dopuštajte pristup uređaju. Maloj djeci (3 – 8 godina) ne dopuštajte pristup uređaju ako nisu pod nadzorom. Djeca starija od 8 godina i osobe smanjenih fizičkih, osjetilnih i mentalnih sposobnosti ili osobe bez dovoljnog iskustva i znanja mogu koristiti uređaj samo ako su pod nadzorom ili su dobili upute o sigurnom rukovanju uređajem te ako razumiju potencijalne opasnosti. Djeca se ne smiju igrati s uređajem. Djeca ne smiju čistiti niti održavati uređaj bez nadzora.

⚠ **PAŽNJA:** Ako pukne staklo ploče za kuhanje, odmah zatvorite sve plamenike i svaki grijaći element i izolirajte uređaj od napajanja električnom energijom; ne dirajte površinu uređaja; ne upotrebljavajte uređaj.

Stakleni poklopac može puknuti unutra ako se zagrijava. Zatvorite sve plamenike i električne ploče prije zatvaranja poklopca. Nemojte spuštati poklopac kad plamenik gori.

⚠ **UPOZORENJE:** Uređaj i njegovi dijelovi do kojih postoji pristup se zagrijavaju prilikom uporabe. Pazite da ne biste dodirnuli grijaće elemente. Djeca mlađa od 8 godina trebaju se držati podalje od uređaja, osim ako su pod nadzorom.

⚠ Hrana ne smije biti u proizvodu ili na njemu dulje od jednog sata prije ili nakon kuhanja.

DOZVOLJENI RASPON UPOTREBE

⚠ **PAŽNJA:** uređaj nije namijenjen za korištenje pomoću vanjske sklopke, kao što je vremenski programator ili poseban sustav za daljinsko upravljanje.

⚠ Ovaj uređaj namijenjen je upotrebi u kućanstvima i na sličnim mjestima, kao što su: kuhinje za osoblje u trgovinama, uredi i druge objekti u kojima se radi; seoske kuće; za goste u hotelima, motelima ili sličnim smještajnim jedinicama.

⚠ Ne dopušta se nikakva druga uporaba (npr. grijanje prostorija).

⚠ Ovaj uređaj nije namijenjen za profesionalnu upotrebu. Nemojte koristiti uređaj u vanjskim prostorima.

⚠ Koristite lonce i tavice čija je širina dna ista ili malo veća od plamenika (vidi tablicu u nastavku). Pazite da lonci na rešetkama ne prelaze rubove površine za kuhanje.

⚠ Nepravilna upotreba rešetki može dovesti do oštećenja ploče za kuhanje: mreže ne okrećite naopako i ne gurajte ih preko ploče za kuhanje.

Ne dopustite da plamen plamenika ide preko ruba lonca.

Ako je površina ploče za kuhanje izrađena od stakla, nemojte upotrebljavati rešetke za pečenje lijevanog željeza, kamen za pečenje ollar, lonce i tave od terakote.

Nemojte koristiti: difuzore topline poput metalne mreže ili bilo koje druge vrste. Dva plamenika istovremeno za jednu posudu (npr. za kotlić s ribom).

Ako je zbog lokalnih uvjeta dovoda plina otežano paljenje plamenika, preporučuje se da ponovite radnju s gumbom okrenutim u položaj malog plamena.

U slučaju montiranja kuhinjske nape iznad ploče za kuhanje, molimo vas slijediti upute o pravilnoj udaljenosti.

Mala djeca bi mogla progutati zaštitne gumene noge ispod rešetaka i zagušiti se. Nakon skidanja rešetki, molimo vas da se pobrinite da sve nogice budu ispravno namještene.

POSTAVLJANJE

⚠ Pri postavljanju, uređajem moraju rukovati dvije ili više osoba: opasnost od ozljeda. Za raspakiranje i postavljanje uređaja upotrijebite zaštitne rukavice: opasnost od porezotina.

⚠ Električni i plinski priključci moraju biti u skladu s lokalnim propisima.

⚠ Postavljanje, uključujući dovod vode (ako je uređaj opremljen) i električne priključke te popravke smije obavljati samo kvalificirani tehničar. Nemojte popravljati ni zamjenjivati bilo koji dio uređaja, osim ako to nije izričito navedeno u priručniku za upotrebu. Djeci ne dozvoljavajte približavanje mjestu postavljanja. Nakon uklanjanja ambalaže s proizvoda, provjerite da tijekom transporta nije došlo do oštećenja. U slučaju problema, kontaktirajte distributera ili najbliži postprodajni servis. Nakon postavljanja otpadni materijal pakiranja (plastiku, dijelove od stiropora itd.) odložite van dohvata djece: opasnost od gušenja. Uređaj se prije postavljanja mora isključiti iz napajanja: opasnost od električnog udara. Pazite da za vrijeme postavljanja uređaj ne oštetite električni kabel:

opasnost od požara ili električnog udara. Uređaj uključite tek kada završi postupak postavljanja.

⚠ **UPOZORENJE:** Izmjene na uređaju i način njegova postavljanja od osnovne su važnosti za sigurno i ispravno korištenje uređaja u svim dodatnim zemljama.

⚠ Koristite regulatore tlaka prikladne za tlak plina naznačen u uputama.

⚠ Prostorija mora biti opremljena sustavom za odvod zraka koji odvodi plinove izgaranja. On se može sastojati od nape ili električnog ventilatora koji se automatski pokreću svaki puta kad se upali uređaj.

⚠ Prostorija ujedno mora dopuštati ispravnu cirkulaciju zraka jer je zrak potreban kako bi do izgaranja došlo prirodnim putem. Protok zraka ne smije biti manji od 2 m³/h po kW instalirane snage.

⚠ Sustav cirkulacije zraka može uzimati zrak izravno izvana putem cijevi unutarnjeg presjeka od najmanje 100 cm²; Otvor ne smije biti osjetljiv ni na kakvu vrstu opstrukcije.

⚠ Sustav može osigurati zrak potreban za izgaranje i neizravno, tj. iz susjednih prostorija u kojima su postavljene cijevi za cirkulaciju zraka kao što je gore navedeno. Međutim, te prostorije ne smiju biti zajedničke prostorije, spavaće sobe ili prostorije koje predstavljaju požarnu opasnost.

⚠ Ukapljeni naftni plin se spušta na tlo jer je teži od zraka. Stoga bi prostorije u kojima se nalaze spremnici s LPG-om također trebale imati odušnike kako bi plin mogao izlaziti u slučaju propuštanja. Zbog toga se spremnici s LPG-om, bez obzira da li su skroz puni ili samo djelomično, moraju postaviti ili čuvati u prostorijama ili skladišnim prostorima koji su ispod razine tla (podrumi itd.). Preporučuje se da u prostoriji držite samo onaj spremnik koji koristite i da ga postavite tako da nije izložen toplini od vanjskih izvora (pećnice, kamini, peći itd.) koji bi mogli podići temperaturu spremnika iznad 50°C.

Ako okretanje gumbi plamenika postaje sve otežanje, kontaktirajte Postprodajnu službu koja će, nakon utvrđivanja neispravnosti ventila, isti zamijeniti. Otvori koji se koriste za ventilaciju i disperziju topline nikad ne smiju biti prekriveni.

⚠ Obavite sve radove piljenja i pažljivo uklonite sve strugotine i piljevinu prije postavljanja uređaja u element.

⚠ Ako uređaj nije postavljen iznad pećnice, u pregradu ispod uređaja mora se postaviti pregradna ploča (koja nije uključena).

PRIKLJUČENJE NA PLINSKI SUSTAV

⚠ **UPOZORENJE:** Prije postavljanja, provjerite jesu li usklađeni lokalni uvjeti distribucije (vrsta i tlak plina) i konfiguracija uređaja.

⚠ Provjerite da li opskrba plinom odgovara vrijednostima navedenima u tablici „Specifikacije plamenika i mlaznice“.

⚠ **UPOZORENJE:** Uvjeti konfiguracije za ovaj uređaj navedena su na naljepnici (ili podatkovnoj pločici).

⚠ **UPOZORENJE:** Ovaj uređaj nije priključen na uređaj za odvođenje produkata izgaranja. Mora se instalirati i priključiti u skladu s važećim propisima o instalacijama. Posebnu pozornost potrebno je posvetiti odgovarajućim uvjetima vezanim uz ventilaciju.

⚠ Ako je uređaj spojen na tekući plin, regulacijski vijak mora se zategnuti što je čvršće moguće.

⚠ **VAŽNO:** Kada je ugrađen plinski spremnik ili plinska boca, mora se pravilno smjestiti (u uspravnom položaju).

⚠ **UPOZORENJE:** Taj postupak mora izvršiti kvalificirani tehničar.

⚠ Upotrijebite isključivo savitljivo crijevo ili krutu metalnu cijev za priključak plina.

⚠ Spoj s krutom cijevi (bakrenom ili čeličnom) Spoj na plinski sustav mora se izvesti na način da se uređaj ničim ne optereti. Na opskrbenoj rampi uređaja postoji podesivi cijevni priključak u obliku slova L koji se postavlja s brtvom da se spriječi propuštanje. Brtva se uvijek mora zamijeniti nakon okretanja cijevne spojnice (brtva se isporučuje s uređajem). Cijevni priključak za dovod plina je navojna plinska 1/2 cilindrična muška spojnica.

⚠ Spajanje savitljive bešavne cijevi od nehrđajućeg čelika na navojni priključak Cijevni priključak za dovod plina je navojna plinska 1/2 cilindrična muška spojnica. Ove se cijevi moraju postaviti tako da nikad nisu duže od 2000 mm kada su u potpunosti produžene. Kad je spajanje izvedeno, provjerite da savitljiva metalna cijev ne dodiruje dijelove u pokretu i da nije stisnuta. Koristite isključivo cijevi i brtve koje su sukladne s važećim nacionalnim propisima.

⚠ **VAŽNO:** Ako se upotrebljava crijevo od nehrđajućeg čelika, treba ga spojiti tako da ne dodiruje niti jedan pokretni dio namještaja (npr. ladicu). Mora prolaziti kroz područje bez prepreka i gdje ju je moguće pregledati cijelom duljinom.

⚠ Uređaj treba biti spojen na glavni dovod plina ili plinski spremnik u skladu s važećim nacionalnim propisima. Prije spajanja, provjerite da li je uređaj kompatibilan s dovodom plina koji želite koristiti. Ako nije, pridržavajte se uputa navedenih u odlomku „Prijelaz na različite vrste plina“.

⚠ Nakon spajanja dovoda plina provjerite ima li propuštanja uz pomoć sapunice. Upalite plamenike i okrenite gumbe od maksimalnog 1* do minimalnog položaja 2* kako biste provjerili stabilnost plamena.

PRIJELAZ NA RAZLIČITE VRSTE PLINA

(Ovaj zahvat mora obaviti kvalificirani tehničar).

⚠ Kako biste prilagodili uređaj vrsti plina koji je drugačiji od vrste za koju je proizveden (navedeno na pločici s tehničkim podacima), pridržavajte se opisanih koraka navedenih nakon instalacijskih crteža.

ELEKTRIČNA UPOZORENJA

⚠ **VAŽNO:** Informacije o potrošnji struje i naponu nalaze se na nazivnoj pločici.

⚠ Mora postojati mogućnost isključivanja uređaja iz struje uklanjanjem priključka ako je on dostupan ili to učiniti pomoću dostupne sklopke s više polova instalirane uz utičnicu u skladu s pravilima ožičenja i uređaj mora biti uzemljen u skladu s nacionalnim sigurnosnim standardima za električnu struju.

⚠ Kabel za napajanje mora biti dovoljno dug kako bi se uređaj, nakon postavljanja u element, moglo priključiti na izvor napajanja. Ne povlačite kabel za napajanje.

⚠ Nemojte koristiti produžne kabele, višestruke utičnice ili adaptere. Nakon postavljanja električni dijelovi ne smiju

biti dostupni korisniku. Uređaj ne upotrebljavajte kada ste mokri ili bos. Uređaj ne upotrebljavate ako su njegov dovodni kabel ili utikač oštećeni, ako ne radi ispravno ili ako je oštećen ili je pao na tlo.

⚠ Ako je kabel za napajanje oštećen, istim ga mora zamijeniti proizvođač, ovlašteni serviser ili osobe slične kvalifikacije kako biste izbjegli opasne situacije: opasnost od električnog udara.


ČIŠĆENJE I ODRŽAVANJE

⚠ UPOZORENJE: Provjerite je li uređaj isključen ili odspojen iz napajanja prije obavljanja bilo kojeg zahvata održavanja; nikada ne upotrebljavajte uređaje za čišćenje parom: opasnost od električnog udara.

⚠ Ne koristite abrazivne ili korozivne proizvode, sredstva za čišćenje na bazi klora ili strugače za tave.

⚠ Kako biste izbjegli oštećenja električnih uređaja za paljenje, ne rabite ih kada se plamenici ne nalaze u njihovim kućistima.

ODLAGANJE AMBALAŽNOG MATERIJALA


Ambalažni materijal može se u potpunosti reciklirati i označen je simbolom recikliranja .

Različiti dijelovi ambalaže moraju se zbrinuti na odgovarajući način i u skladu s lokalnim zakonskim propisima za odlaganje otpada.

ODLAGANJE KUĆANSKIH UREĐAJA

Ovaj uređaj proizveden je od materijala koji se može reciklirati ili ponovno iskoristiti. Zbrinite ga sukladno lokalnim pravilnicima o zbrinjavanju otpada. Radi detaljnijih informacija o postupanju, uporabi i recikliranju električnih kućanskih aparata, obratite se nadležnom mjesnom uredu, službi za skupljanje komunalnog otpada ili trgovini u kojoj ste uređaj kupili. Ovaj je uređaj označen u skladu s europskom Direktivom 2012/19/EU o otpadnoj električnoj i elektroničkoj opremi (OEEO) i uredbama o otpadnoj električnoj i elektroničkoj opremi iz 2013. (sukladno izmjenama i dopunama).

Osigurate li ispravno odlaganje tog proizvoda, pomoći ćete u sprječavanju mogućih negativnih posljedica za okoliš i zdravlje ljudi.

Simbol  na proizvodu ili na popratnoj dokumentaciji označava da se s njim ne smije postupati kao s kućnim otpadom, nego ga treba odnijeti na odgovarajuće skupljalište za recikliranje električnog i elektroničkog otpada.

SAVJETI ZA UŠTEDU ENERGIJE

Koristite lonce i tave sa širinom dna jednakoj širini zone kuhanja.

Koristite isključivo lonce i tave s ravnim dnima.

Uvijek kada je to moguće, poklopite posuđe.

Koristite ekspres-lonac da biste uštedjeli još više energije i vremena.

IZJAVA O SUKLADNOSTI

Ovaj uređaj ispunjava zahtjeve o eko-dizajnu europske Uredbe 66/2014 i propise o eko-dizajnu za proizvode povezane s energijom i informacije o energiji (Dopuna) (izlaz iz EU) iz 2019., u skladu s europskom normom EN 30-2-1.

Vrsta uporabljenog plina	Vrsta plamenika	Oznaka sapnice	Nazivni toplinski protok kW	Nazivna potrošnja	Smanjeni toplinskog kapaciteta kW	Tlak plina mbar		
						min.	naz.	maks.
PRIRODNI PLIN (Metan) G20	Brzi (R)	128 B	3,00	286 l/h	0,70	17	20	25
	Polubrzi (SR)	97	1,75	167 l/h	0,40			
	Pomoćno (AUX)	78 A	1,00	95 l/h	0,40			
	2 Prstena (DC)	141	4,00	381 l/h	2,20			
UKAPLJENI NAFTNI PLIN (Butan) G30	Brzi (R)	87	3,00	218 g/h	0,70	20	30	35
	Polubrzi (SR)	67	1,75	127 g/h	0,40			
	Pomoćno (AUX)	50	1,00	73 g/h	0,40			
	2 Prstena (DC)	94	3,70	269 g/h	2,20			
UKAPLJENI NAFTNI PLIN (Propan) G31	Brzi (R)	87	3,00	214 g/h	0,70	20	30	35
	Polubrzi (SR)	67	1,75	125 g/h	0,40			
	Pomoćno (AUX)	50	1,00	71 g/h	0,40			
	2 Prstena (DC)	94	3,70	264 g/h	2,20			

Vrsta uporabljenog plina	Konfiguracija modela 5 PLAMENIKA	Nazivni toplinski protok (kW)	Ukupna nazivna potrošnja	Potrebna količina zraka (m ³) za izgaranje 1m ³ plina
G20 20 mbar	1R - 2SR - 1AUX - 1DC	11,50	1095 l/h	9,52
G30 30 mbar	1R - 2SR - 1AUX - 1DC	11,20	814 g/h	30,94
G31 30 mbar	1R - 2SR - 1AUX - 1DC	11,20	800 g/h	23,80

ELEKTRIČNO NAPAJANJE: 220-240 V ~ 50-60 Hz - 0,6 W

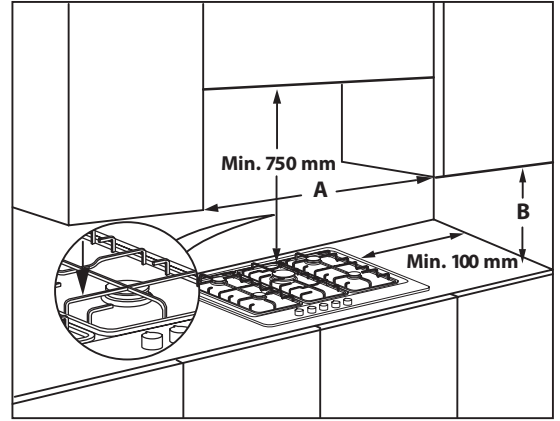
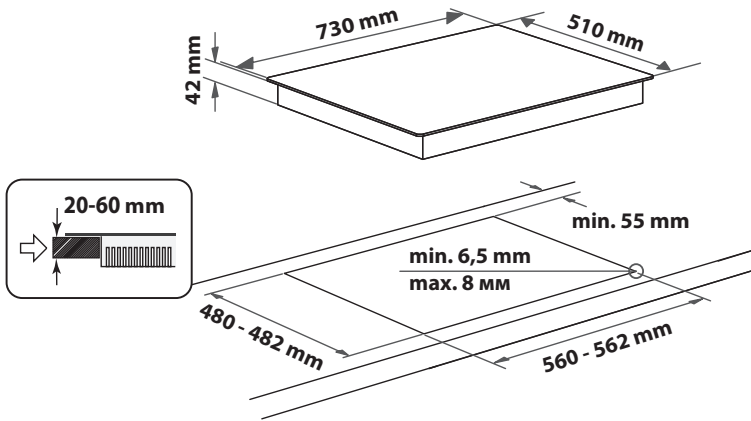


POSTAVLJANJE (RAZRED 3)

TEHNIČKE INFORMACIJE ZA INSTALATERA

- Za rukovanje, pripremu i postavljanje proizvoda uporabite zaštitne rukavice.
- Ovaj se proizvod može ugraditi u radnu ploču debljine 20 do 60 mm.
- Ako se ispod ploče za kuhanje ne nalazi pećnica, umetnite razdvojnu ploču s površinom barem jednakom otvoru u radnoj ploči. Tu je ploču potrebno montirati na udaljenosti od maksimalno 150 mm ispod gornje površine radne ploče, ali nikada na manje od 20 mm od dna ploče za kuhanje. U slučaju da namjeravate ugraditi pećnicu ispod ploče za kuhanje, pobrinite se da je opremljena sustavom za hlađenje.

DIMENZIJE I UDALJENOSTI KOJE TREBA ODRŽAVATI



NAPOMENA: Ako je udaljenost "A" između stijenki ormara između 600 mm i 730 mm, tada visina "B" mora biti najmanje 530mm. Ako je udaljenost "A" između stijenki ormara između veća od širine ploče za kuhanje, tada visina "B" mora biti najmanje 400mm. U slučaju ugradnje nape iznad ploče za kuhanje, pogledajte upute za napu radi pravilne udaljenosti.

SASTAVLJANJE

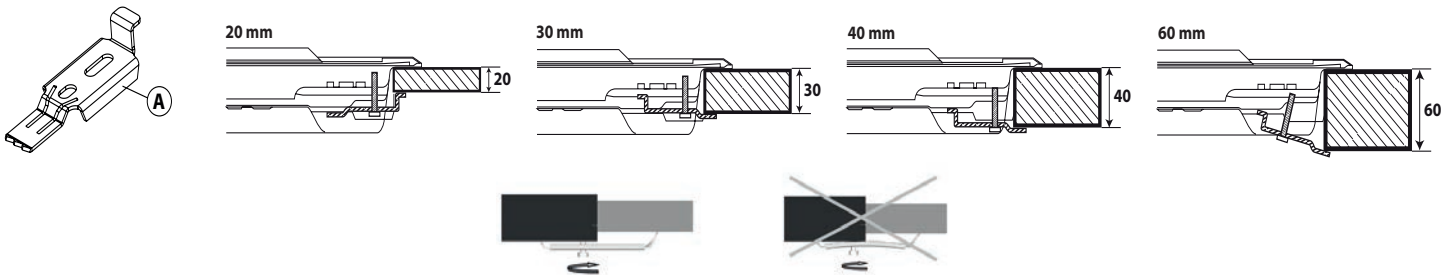
Nakon čišćenja okolne površine uređaja, postavite isporučenu brtvu za ploču za kuhanje kao što je prikazano na slici.

Postavite ploču za kuhanje u izrađeni otvor u radnoj ploči u skladu s dimenzijama naznačenim u uputama.



NAPOMENA: kabel za napajanje mora biti dovoljno dugačak kako bi omogućio izvlačenje prema gore.

Za učvršćivanje ploče za kuhanje uporabite isporučene nosače (A). Postavite nosače u odgovarajuće provrte prikazane strelicom i pričvrstite ih pomoću vijaka u skladu s debljinom radne ploče (pogledajte sljedeće slike).

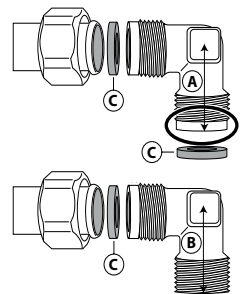


PRIKLJUČENJE NA PLINSKI SUSTAV

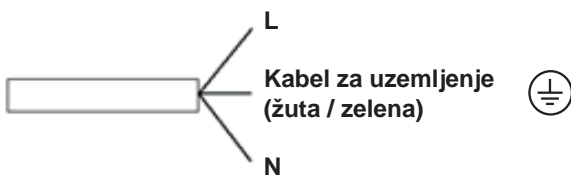
- Spojite isporučeno koljeno (A)* ili (B)* s glavnom ulaznom cijevi ploče za kuhanje i umetnite isporučenu podlošku (C) u skladu s EN 549.

* Za Francusku uporabite koljeno (A), koljeno (B) za druge države.

- Nakon spajanja dovoda plina provjerite ima li propuštanja uz pomoć sapunice. Upalite plamenike i okrenite gumbе s maksimalnog položaja u minimalni položaj kako biste provjerili stabilnost plamena.



ELEKTRIČNI PRIKLJUČAK





ZAHVALJUJEMO VAM NA KUPOVINI PROIZVODA WHIRLPOOL
Kako bismo vam mogli pružiti potpuniju pomoć, registrirajte svoj uređaj na adresi www.whirlpool.eu/register.

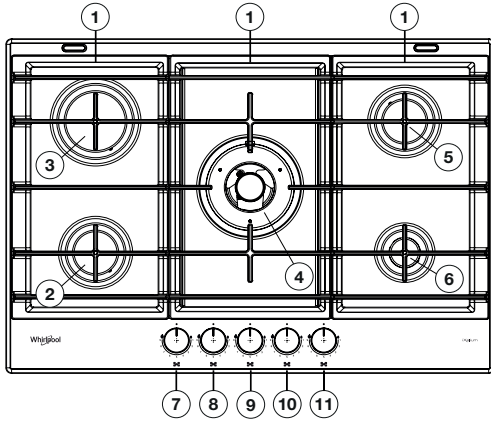


Pažljivo pročitajte sigurnosne upute prije upotrebe uređaja.

SKENIRAJTE QR KOD NA SVOM UREĐAJU DA BISTE DOBILI VIŠE INFORMACIJA



OPIS PROIZVODA



1. Uklonjive mreže za postavljanje lonca
2. Polubrzi plamenik
3. Brzi plamenik
4. 2 prstena plamenik
5. Polubrzi plamenik
6. Pomoćno plamenik
7. Regulacijski gumb polu-brzog plamenika
8. Regulacijski gumb brzog plamenika
9. Regulacijski gumb plamenika s 2 prstena
10. Regulacijski gumb polu-brzog plamenika
11. Regulacijski gumb pomoćnog plamenika

Simboli

- Šrafrani krug ● Zatvoreni ventil
Veliki plamen 🔥 Maksimalni otvor/isporuka i električno paljenje
Mali plamen 🔥 Minimalni otvor ili smanjena isporuka

SVAKODNEVNA UPORABA

KAKO KORISTITI PLOČU ZA KUHANJE

⚠ Ne dopustite da plamen plamenike ide preko ruba lonca.

VAŽNO: kada se ploča za kuhanje koristi; njena cijela površina može postati vruća.

- Kako biste upalili jedan od grijača, okrenite odgovarajući gumb u smjeru suprotnom od kazaljke na satu u položaj maksimalnog plamena.
- Pritisnite gumb prema upravljačkoj ploči i upalite plamenik.
- Nakon što se plamenik upali, držite gumb pritisnut oko 5 – 10 sekundi kako biste omogućili pravilan rad uređaja.
- Ovaj zaštitni uređaj plamenika isključuje dovod plina u plamenik ako se plamen slučajno ugasi (zbog iznenadnog propuha, prekida u dovodu plina, prolijevanja tekućina uslijed kuhanja itd).
- Gumb se ne smije pritikati dulje od 15 s. Ako se plamenik ne upali pravilno nakon što to vrijeme protekne, pričekajte barem jednu minutu prije nego ga ponovno pokušate upaliti.**

NAPOMENA: ako je zbog lokalnih uvjeta dovoda plina otežano paljenje plamenika, preporučuje se da ponovite radnju s gumbom okrenutim u položaj malog plamena.

Plamenik se može ugaziti kada otpustite gumb. To znači da se zaštitni uređaj nije dovoljno ugrijao. U tom slučaju ponovite gore opisani postupak. Ako se plamenovi plamenika slučajno ugase, isključite podešivač plamenika i ne pokušavajte ponovno upaliti plamenik barem jednu minutu.

PRAKTIČNI SAVJET ZA UPORABU PLAMENIKA

Na ovoj se ploči nalaze plamenici različitih promjera. Radi bolje učinka pridržavajte se sljedećih pravila:

- koristite lonce i tave s dnima jednake širine kao i plamenika ili malo šire (pogledajte tablicu desno);
- koristite isključivo lonce i tave s ravnim dnima;
- koristite pravilnu količinu vode za kuhanje hrane i lonce držite zatvorene;
- pazite da lonci na rešetkama ne prelaze rubove površine za kuhanje;
- u slučaju tava s konveksnim dnima (wok) upotrijebite pomoćnu rešetku (ne isporučuje se) koju se stavlja samo na plamenik s višestrukim prstenima;
- izbjegavajte slučajno kucanje kuhališta s posudama, stalcima ili drugim kuhinjskim posuđem;
- ne ostavljajte prazne grudice za odrezak iznad upaljenog plamenika dulje od 5 minuta.

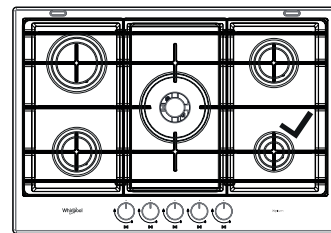
VAŽNO: Nepravilna uporaba mreža može rezultirati oštećenjem ploče za kuhanje: mreže ne okrećite naopako i ne gurajte ih preko ploče za kuhanje.

PLAMENIK	Ø LONCA
2 Prstena	Od 24 do 26 cm
Brzi	Od 24 do 26 cm
Polubrzi	Od 16 do 22 cm
Pomoćno	Od 8 do 14 cm

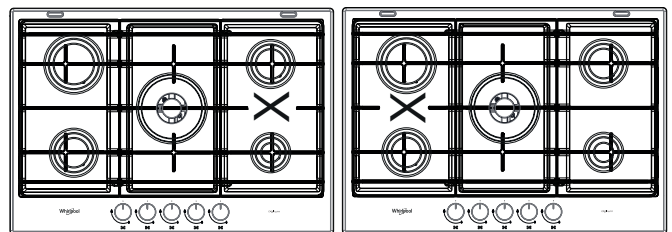
Nemojte koristite:

- pekače od lijevanog željeza, kameno posuđe, lonce i tave od terakote;
- difuzore topline kao što su metalne mrežice ili difuzore bilo koje druge vrste;
- istovremeno dva plamenika za jednu posudu (npr. pladanj za ribu).

ISPRAVNO POSTAVLJANJE REŠETKE



OK



NO

NO

PRILAGOĐAVANJE RAZLIČITIM VRSTAMA PLINA

⚠ Tu radnju mora izvršiti kvalificirani tehničar.

Ako uređaj namjeravate rabiti s različitim plinom od onog navedenog na natpisnoj pločici i informacijskoj naljepnici na vrhu ploče za kuhanje, promijenite sapnice.

Uklonite informacijsku naljepnicu i spremite je s uputama.

Uporabite regulatore tlaka prikladne za tlak plina naznačen u uputama:

- plinsku sapnicu mora promijeniti postprodajni servis ili kvalificirani tehničar;
- sapnica se ne isporučuju s uređajem i potrebno ih je naručiti u postprodajnom servisu;
- podesite minimalnu postavku ventila.

NAPOMENA: kada se koristi ukapljeni naftni plin (G30/G31), vijak za postavljanje minimalnog protoka plina treba pritegnuti do kraja.

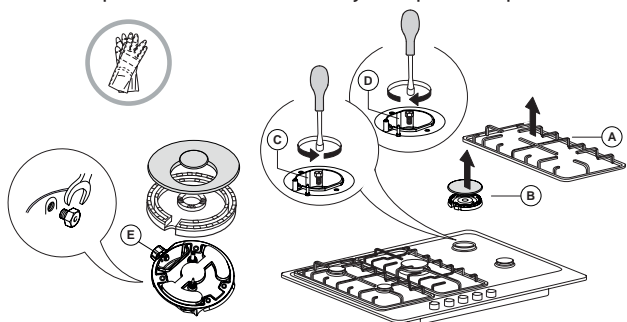
VAŽNO: ako osjetite otežano okretanje gumba plamenika, obratite se postprodajnom servisu za zamjenu ventila plamenika ako je pokvaren.

VAŽNO: kada koristite plinski spremnik, potrebno ga je pravilno smjestiti (u uspravnom položaju).

ZAMJENA SAPNICA (pogledajte tablicu sapnica u Sigurnosnim uputama)

⚠ Tu radnju mora izvršiti kvalificirani tehničar.

- Uklonite rešetke (A).
- Izvucite plamenike (B).
- Uz pomoć utičnog ključa odgovarajuće veličine odvijte sapnicu (C) koju želite zamijeniti.
- Zamijenite je sapnicom prikladnom za novu vrstu plina.
- Ponovno sastavite sapnicu u (D).
- Ako imate plamenik s više kruna, za zamjenu sapnice (E) uporabite bočni ključ.



Prije ugradnje ploče za kuhanje, ne zaboravite pričvrstiti ploču za kalibriranje plina isporučenu sa sapnicama tako da navodi sve postojeće informacije o kalibraciji plina.

PODEŠAVANJE MINIMALNE POSTAVKE PLINSKIH VENTILA

⚠ Tu radnju mora izvršiti kvalificirani tehničar.

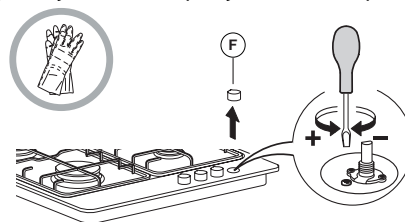
Podešavanje je potrebno vršiti s ventilom u položaju minimalnog protoka plina (mali plamen).

Primarni zrak plamenika nije potrebno podešavati.

Kako bi minimalna postavka bila pravilno podešena, uklonite gumb (F) i postupite na sljedeći način:

- pritegnite vijak kako biste smanjili visinu plamena (-);
- otpustite vijak kako biste povećali visinu plamena (+).

U ovom trenutku upalite plamenike i okrenite gumb s maksimalnog položaja u minimalni položaj kako biste provjerili stabilnost plamena.



Nakon podešavanja ponovno zabrtvite uz pomoć viska za brtvljenje ili sličnog materijala.

TABLICA KUHANJA

RAZINA	NAČIN/VRSTA KUHANJA (PREDLOŽENO ZA)	SAVJETI ZA KUHANJE
1-2	ODRŽAVANJE TOPLINE	Idealno za omekšavanje maslaca, nježno otapanje čokolade u vodenoj kupelji, odmrzavanje manjih komada hrane, kremasti rižoto.
	NJEŽNO KUHANJE	
3-4	KRČKANJE	Idealno za recepte sa sporim kuhanjem (riža, umaci, pečenja, riba) s tekućinama (npr. voda, vino, temeljac) te kremastu tjestenine uz održavanje laganog vrenja.
	VRENJE	
5-6	PEČENJE	Idealno za prženje, variva od povrća, dulja kuhanja, zagrijavanje dodataka, kuhanja do kremastog stanja.
	PRŽENJE	
7-8	BRZO PRŽENJE	Idealno za stvaranje korice, početak kuhanja, brzo ključanje tekućina, prženje zamrznutih proizvoda, prženje mesa i ribe, uz održavanje jakog ključanja.
	ROŠTILJANJE	
9	BRZO ZAGRIJAVANJE	Idealno za brzo povećanje temperature namirnica ili za zagrijavanje tekućina (vode).

ČIŠĆENJE I ODRŽAVANJE

⚠ Iskopčajte uređaj iz struje

ČIŠĆENJE POVRŠINE PLOČE ZA KUHANJE

- Sve emajlirane i staklene površine treba čistiti toplom vodom i prirodnim otopinom.
- Tvrdi voda ili agresivni deterdženti mogu ostaviti mrlje na površinama od nehrđajućeg čelika ako predugo ostanu u kontaktu s njima. Svu prolivenu hranu (voda, umak, kava itd.) treba obrisati prije nego se osuši.
- Očistite čistom vodom i neutralnim deterdžentom i potom osušite mekom krpom. Uklonite zapečenu prljavštinu s posebnim sredstvima za čišćenje za površine od nehrđajućeg čelika.

NAPOMENA: nehrđajući čelik čistite isključivo mekom krpom ili spužvom.

- Ne koristite abrazivne ili korozivne proizvode, sredstva za čišćenje na bazi klora ili strugače za tave.
- Nemojte koristiti uređaje za parno čišćenje.
- Nemojte koristiti zapaljive proizvode.
- Nemojte ostavljati kiseline ili alkalne tvari, kao što su ocat, senf, sol, šećer ili limunov sok na ploči za kuhanje.

ČIŠĆENJE DIJELOVA PLOČE ZA KUHANJE

- Staklene i emajlirane površine čistite isključivo mekom krpom ili spužvom.
- Mreže, poklopci i krune plamenika mogu se skinuti kako bi se očistili.
- Očistite ih ručno toplom vodom i neabrazivnim deterdžentom i uklonite sve ostatke hrane i provjerite da nijedan od otvora plamenika nije začepljen.
- Isperite i osušite.

- **Rešetke od lijevanog željeza mogu se prati u perilici posuđa. Uklonite zagorene ostatke hrane prije postavljanja rešetki u najnižu košaru perilice posuđa.**
- Ponovno postavite plamenike i poklopce plamenika u odgovarajuća kućišta.
- Prilikom postavljanja mreža, pobrinite se da područje za postavljanje posuđa bude poravnato s plamenikom.

- Modeli opremljeni električnim nastavcima za paljenje i sigurnosnim uređajem zahtijevaju temeljito čišćenje završetka nastavka kako bi se zajamčio pravilan rad. Te elemente provjeravajte često i po potrebi ih očistite vlažnom krpom. Svu zapečeni hranu treba ukloniti čačalicom ili iglom.

NAPOMENA: kako biste izbjegli oštećenja električnih uređaja za paljenje, ne rabite ih kada se plamenici ne nalaze u njihovim kućištima.

RJEŠAVANJE PROBLEMA

Ako ploča za kuhanje ne radi pravilno, prije pozivanja postprodajnog servisa pogledajte vodič za otklanjanje poteškoća kako biste utvrdili problem.

1. Plamenik se ne može zapaliti ili je plamen nejednolik

Provjerite:

- jesu li isključeno električno napajanje i posebno je li ventil za plin otvoren;
- je li spremnik plina (tekući pin) prazna;
- jesu li začepljeni otvori plamenika;
- je li čep prljav;
- jesu li dijelovi plamenika ispravno sastavljeni;
- ima li propuha pokraj ploče za kuhanje.

2. Plamenik ne ostaje upaljen

Provjerite:

- je li prilikom paljenja plamenika gumb pritisnut dovoljno dugo kako bi se aktivirao zaštitni uređaj;
- jesu li začepljeni otvori plamenika pokraj termospojke;
- je li kraj zaštitnog uređaja prljav;
- je li pravilno podešen minimalni protok plina (pogledajte odgovarajuće poglavlje).

3. Lonci nisu stabilni

Provjerite:

- je li dno lonca savršeno ravno;
- je li lonac centriran na plameniku;
- jesu li zamijenjene mreže ili su nepravilno postavljene.

Ako i nakon navedenih provjera kvar ostaje, obratite se najbližem postprodajnom servisu.

POSTPRODAJNI SERVIS

Kako bismo vam mogli pružiti potpuniju pomoć, registrirajte svoj uređaj na adresi www.whirlpool.eu/register.

PRIJE NEGO ŠTO KONTAKTIRATE POSTPRODAJNI SERVIS:

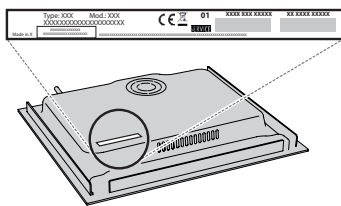
1. Pogledajte možete li sami riješiti problem uz pomoć prijedloga danih u **VODIČ ZA RJEŠAVANJE PROBLEMA**.
2. Isključite i ponovno uključite uređaj kako biste provjerili je li kvar uklonjen.

AKO SE I NAKON NAVEDENIH PROVJERA KVAR I DALJE JAVLJA, OBRATITE SE NAJBLIŽEM POSTPRODAJNOM SERVISU.

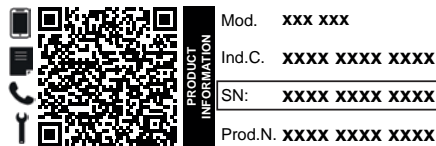
Za pomoć nazovite broj u knjižici jamstva ili slijedite upute na webmjestu www.whirlpool.eu.

Kada kontaktirate korisničku službu uvijek navedite:

- kratki opis kvara,
- vrstu i točan model uređaja;



- serijski broj (broj iza reči SN na pločici sa podacima koja se nalazi ispod uređaja). Serijski broj je takođe naveden u dokumentaciji;



- svoju punu adresu;
- svoj telefonski broj.

Ako je popravak potreban obratite se ovlaštenom Postprodajnom servisu (kako bi se jamčila uporaba originalnih rezervnih dijelova i ispravan popravak).

Pravila, standardne dokumente i dodatne informacije o proizvodu možete pronaći tako da:

- Upotrijebite QR kod na uređaju;
- Posjetite naše web-mjesto docs.whirlpool.eu/docs;
- Možete i **kontaktirati naš postprodajni servis** (broj telefona potražite u knjižici jamstva). Kada se obraćate našem postprodajnom servisu navedite kodove navedene na identifikacijskoj pločici proizvoda.



BEZBEDNOSNA UPUTSTVA

VAŽNO JE DA SE PROČITAJU I POŠTUJU

⚠ Ova uputstva su validna ako se simbol zemlje javlja na uređaju. Ako simbol ne postoji na uređaju, potrebno je pogledati tehnička uputstva koja će vam pružiti potrebna uputstva u vezi sa modifikacijom uređaja u skladu sa uslovima korišćenja u zemlji.

⚠ **OPREZ:** Korišćenje uređaja za kuvanje na gas rezultira proizvodnjom toplote, vlage i proizvoda sagorevanja u prostoriji u kojoj je instaliran. Vodite računa da kuhinja ima dobru ventilaciju, naročito kada se uređaj koristi: držite prirodne otvore za ventilaciju otvorenim ili instalirajte mehanički uređaj za ventilaciju (mehanički aspirator za ekstrakciju). Za dužu intenzivnu upotrebu uređaja može biti potrebna dodatna ventilacija (na primer, otvaranje prozora) ili efikasnija ventilacija (na primer, povećavanje nivoa mehaničke ventilacije, ako je moguće).

⚠ Ako se informacije iz ovog priručnika ne slede precizno, može doći do požara ili eksplozije, što može dovesti do oštećenja imovine ili povrede.

Pažljivo pročitajte ova bezbednosna uputstva pre upotrebe uređaja. Sačuvajte ih za buduću upotrebu.

Ovaj priručnik i sam uređaj pružaju važna bezbednosna upozorenja koja morate pročitati i kojih se morate uvek pridržavati. Proizvođač se odriče svake odgovornosti u slučaju nepoštovanja ovih bezbednosnih uputstava, nepravilnog korišćenja uređaja ili nepravilno podešenih kontrola.

⚠ **UPOZORENJE:** Ukoliko je površina ploče za kuvanje naprsila, ne koristite uređaj – rizik od strujnog udara.

⚠ **UPOZORENJE:** Opasnost od požara: Ne stavljate nikakve predmete na površinu za kuvanje.

⚠ **OPREZ:** Proces kuvanja mora da se nadgleda. Kraći proces kuvanja mora neprekidno da se nadgleda.

⚠ **UPOZORENJE:** Kuvanje na ploči bez nadzora, kada se koristi mast ili ulje, može da bude opasno - postoji rizik od požara. **NIKADA** nemojte pokušavati da ugasi požar vodom, već isključite uređaj, a zatim pokrijte plamen, npr. poklopcem ili vatrostalnim prekrivačem.

⚠ Ne koristite ploču za kuvanje kao radnu površinu ili potporu. Krpe i druge zapaljive materijale držite dalje od uređaja dok se svi delovi potpuno ne ohlade – postoji rizik od požara.

⚠ Vaoma malu decu (do 3 godine) treba držati dalje od uređaja. Malu decu (3-8 godina) treba držati dalje od uređaja, osim ukoliko imaju konstantan nadzor. Deca starosti od 8 godina i više i osobe sa umanjenim fizičkim, čulnim ili mentalnim sposobnostima ili manjkom iskustva i znanja, mogu da koriste ovaj uređaj samo ako su pod nadzorom ili ako su im data uputstva za bezbedno korišćenje uređaja i ukoliko razumeju moguće rizike. Deca se ne smeju igrati uređajem. Čišćenje i održavanje ne smeju vršiti deca bez nadzora.

⚠ **OPREZ:** U slučaju pucanja stakla ploče za kuvanje: odmah isključite sve gorionike i sve električne grejače i izolujte uređaj sa električnog napajanja; ne dodirujte površinu uređaja; ne koristite uređaj.

Stakleni poklopac može da pukne ako se zagreje. Isključite sve gorionike i električne ploče pre zatvaranja poklopcu. Ne zatvarajte poklopac kada je gorionik uključen.

⚠ **UPOZORENJE:** Uređaj i njegovi dostupni delovi jako se zagrevaju u toku upotrebe. Pobrinite se da ne dođe do kontakta sa grejačima. Decu mlađu od 8 godina treba uvek držati po strani, ukoliko nisu pod stalnim nadzorom.

⚠ Hrana ne sme da stoji u ili na proizvodu duže od jednog sata pre ili posle kuvanja.

DOZVOLJENA UPOTREBA

⚠ **OPREZ:** Uređaj nije predviđen da se njime upravlja spoljnim uređajem za uključivanje, kao što je tajmer, ili odvojenim sistemom za daljinsko upravljanje.

⚠ Ovaj uređaj je namenjen za korišćenje u domaćinstvu i za sličnu primenu, kao što je: kuhinjama za osoblje u prodavnicama, kancelarijama i drugim radnim okruženjima; seoskim gazdinstvima; od strane gostiju hotela, motela, prenoćišta sa doručkom i drugih objekata za smeštaj gostiju.

⚠ Nijedna druga upotreba nije dozvoljena (npr. zagrevanje prostorija).

⚠ Ovaj uređaj nije namenjen za profesionalnu upotrebu. Ne koristite uređaj na otvorenom.

⚠ Koristite lonce i tiganje čije je dno iste širine kao gorionik ili nešto veće (pogledajte određenu tabelu). Uverite se u to da lonci na rešetkama za posude ne budu istureni izvan ruba ploče za kuvanje.

⚠ Nepravilno korišćenje rešetki može rezultirati oštećenjem ploče za kuvanje: nemojte da postavljate rešetke naopačke ili da njima klizite preko ploče za kuvanje.

Nemojte dozvoliti da se plamen gorionika proširi preko ivica tiganja.

Ukoliko je površina ploče za kuvanje od staklenog materijala, ne koristite tiganje od livenog gvožđa, kamenje za pečenje, lonce i tiganje od gline.

Nemojte da koristite: Rasipače toplote kao što su metalne mreže ili drugi. Istovremeno dva gorionika za jednu posudu (npr. lonac za riblju čorbu).

Ukoliko se gorionik teško pali usled posebnih lokalnih uslova isporuke gasa, preporučujemo vam da ponovite postupak okretanjem dugmeta u položaj za najmanji plamen.

U slučaju instaliranja ploče za kuvanje iznad radne površine, pogledajte uputstva za aspirator za pravilno rastojanje.

Zaštitne gumene stope na rešetkama predstavljaju opasnost od gušenja za malu decu. Nakon uklanjanja rešetki, vodite računa da sve stope budu pravilno postavljene.

INSTALACIJA

⚠ Ovim uređajem moraju rukovati i montirati ga dve ili više osoba - rizik od povrede. Prilikom raspakivanja i ugradnje, koristite zaštitne rukavice - rizik od posekotina.

⚠ Električni i gasni priključci moraju biti u skladu sa lokalnim propisima.

⚠ Ugradnju, uključujući dovod vode (ako postoji) i električne priključke, i popravke mora da obavi kvalifikovani tehničar. Ne popravljajte delove uređaja ili da ih menjate ukoliko to nije izričito navedeno u uputstvu za upotrebu. Držite decu podalje od mesta ugradnje. Posle vađenja uređaja iz pakovanja proverite da se nije ošteti tokom transporta. U slučaju da postoje neki problemi, obratite se svom prodavcu ili najbližem postprodajnom servisu. Nakon ugradnje, otpadna ambalaža (plastični delovi, delovi od stiropora itd.) se mora čuvati van domašaja dece - rizik od gušenja. Pre

ugradnje, uređaj se mora isključiti sa strujnog napajanja - rizik od strujnog udara. Pazite da uređaj ne ošteti kabl za napajanje tokom ugradnje - rizik od požara ili strujnog udara. Aktivirajte uređaj tek nakon što je postupak ugradnje završen.

⚠ **UPOZORENJE:** Modifikacija uređaja i način instalacije su osnovni za bezbedno i pravilno korišćenje uređaja u svim zemljama.

⚠ Koristite regulatore pritiska pogodne za pritisak gasa naznačen u uputstvu.

⚠ Prostorija mora imati sistem za ekstrakciju vazduha, koji odvodi sva isparenja nastala sagorevanjem. Može se sastojati od aspiratora ili električnog ventilatora koji se automatski uključuju svaki put kada se uređaj uključi.

⚠ Prostorija takođe mora da omogućava pravilnu cirkulaciju vazduha, jer je vazduh potreban za normalno sagorevanje. Protok vazduha ne sme biti manji od 2 m³/h po kW instaliranog napajanja.

⚠ Sistem za cirkulaciju vazduha može uzimati vazduh direktno iz spoljašnjosti putem cevi unutrašnjeg preseka od najmanje 100 cm²; otvor ne sme biti podložan nijednoj vrsti blokade.

⚠ Sistem takođe može indirektno dopremiti vazduh potreban za sagorevanje, tj. iz susednih prostorija opremljenih cevima za cirkulaciju vazduha, kao što je prethodno navedeno. Međutim, ove prostorije ne smeju biti dnevne sobe, spavaće sobe ili prostorije koje mogu predstavljati opasnost od požara.

⚠ Tečni naftni gas curi na pod, jer je teži od vazduha. Stoga, prostorije koje sadrže LPG cilindre takođe moraju biti opremljene otvorima za odvod gasa u slučaju curenja. Za rezultat LPG cilindri, bilo da su delimično ili potpuno puni, se ne smeju instalirati niti čuvati u prostorijama ili skladišnim prostorima koji su ispod nivoa zemlje (podrumi itd.). Savetuje se da se samo cilindar koji se koristi čuva u prostoriji, postavljen tako da ne bude izložen toploti koju proizvode spoljašnji izvori (pećnice, kamini, šporeti itd.) koji mogu da podignu temperaturu cilindra iznad 50 °C.

U slučaju poteškoća sa okretanjem dugmadi za gorionike, kontaktirajte postprodajni servis radi zamene slavine gorionika u slučaju da je neispravna. Otvori koji se koriste za ventilaciju i raspršivanje toplote se nikada ne smeju pokrивati.

⚠ Uklonite sve drvene delove nameštaja pre ugradnje uređaja i uklonite svu piljevinu i strugotinu.

⚠ Ako se uređaj ne postavlja iznad pećnice, pregradna ploča (nije uključena) se mora instalirati u odeljak ispod uređaja.

PRIKLJUČENJE GASA

⚠ **UPOZORENJE:** Pre instalacije, vodite računa da lokalni uslovi za distribuciju (prirodnog gasa i pritiska gasa) i konfiguracija uređaja budu kompatibilni.

⚠ Proverite da li je pritisak dovoda gasa konzistentan sa vrednostima navedenim u tabeli „Specifikacije gorionika i mlaznice“.

⚠ **UPOZORENJE:** Uslovi konfiguracije ovog uređaja navedeni su u tabeli (ili na pločici sa podacima).

⚠ **UPOZORENJE:** Ovaj uređaj nije povezan na uređaj za odvod proizvoda sagorevanja. On se mora instalirati i

povezati u skladu sa važećim propisima za instaliranje. Posebna pažnja se mora obratiti na odgovarajuće zahteve u pogledu ventilacije.

⚠ Ako su uređaji povezani na tečni gas, zavrtanj za regulaciju mora biti zategnut što je više moguće.

⚠ **VAŽNO:** Ako se instaliraju boca ili posuda za gas, one moraju biti pravilno postavljene (uspravno).

⚠ **UPOZORENJE:** Ovu operaciju mora da obavi kvalifikovani tehničar.

⚠ Za priključenje gasa koristite samo metalno crevo ili cev.

⚠ Priključak pomoću čvrste cevi (bakarne ili čelične) Povezivanje na gasni sistem se mora olabaviti na takav način da za uređaj ne postoji nikakav napor. Na dovodnoj rampi na uređaju postoji podesivi priključak za cev u obliku slova L, a postavljen je sa zaptivkom kako bi se sprečilo curenje. Zaptivka se uvek mora postaviti nakon okretanja priključka za cev (zaptivka se dostavlja uz uređaj). Priključak za cev za dovod gasa je navojni 1/2 gasni cilindrični muški priključak.

⚠ Povezivanje fleksibilne cevi od nerđajućeg čelika bez zglobova na navojni priključak. Priključak za cev za dovod gasa je navojni 1/2 gasni cilindrični muški priključak. Ove cevi se moraju instalirati tako da nikada ne budu duže od 2000 mm kada se potpuno rašire. Kada se obavi priključivanje, vodite računa da fleksibilna metalna cev ne dodiruje nijedan pokretan deo i da ne bude komprimovana. Koristite samo cevi i zaptivke koje su u skladu sa važećim nacionalnim propisima.

⚠ **VAŽNO:** Ako se koristi crevo od nerđajućeg čelika, ono se mora instalirati tako da ne dodiruje nijedan pokretan deo nameštaja (npr. fioku). Mora da prolazi kroz prostor bez prepreka i gde može da se proverava čitavom dužinom.

⚠ Uređaj treba povezati na glavni dovod gasa ili na gasni cilindar u skladu sa važećim nacionalnim propisima. Pre povezivanja, proverite da li je uređaj kompatibilan sa dovodom gasa koji želite da koristite. Ako to nije slučaj, sledite uputstva iz odeljka „Adaptiranje na različite vrste gasa“.

⚠ Posle priključenja na gas proverite sapunicom da li gde curi. Uključite gorionike i okrenite dugmad od maks. položaja 1* do minimalnog položaja 2* da biste proverili stabilnost plamena.

PRILAGOĐAVANJE RAZNIM VRSTAMA GASA

(Ovu operaciju mora da obavi kvalifikovani tehničar).

⚠ Da biste adaptirali uređaj za vrstu gasa koja nije ona za koju je on proizveden (naznačeno na nazivnoj etiketi), sledite propisane korake navedene nakon crteža za instalaciju.


UPOZORENJA VEZANA ZA ELEKTRIČNU ENERGIJU


⚠ **VAŽNO:** Informacije o potrošnji struje i o naponu su navedene na nazivnoj pločici.

⚠ Mora biti omogućeno isključivanje uređaja sa napajanja izvlačenjem utikača iz utičnice, ukoliko joj se može pristupiti, ili putem dostupnog višepolnog prekidača postavljenog iznad utičnice u skladu sa pravilima ožičenja, a uređaj mora biti uzemljen u skladu sa nacionalnim standardima električne bezbednosti.


⚠ Kabl za napajanje mora da bude dovoljno dug za povezivanje uređaja na napajanje nakon njegovog


postavljanja u kućište. Nemojte vući električni kabl za napajanje.


 Ne koristite produžne kablove, višestruke utičnice ili adaptere. Nakon ugradnje električni delovi ne smeju da budu dostupni korisniku. Ne koristite uređaj kada ste mokri ili bos. Ne rukujte ovim uređajem ako mu je oštećen kabl za napajanje ili utikač, ako ne radi kako treba, ili ako je oštećen ili ste ga ispustili.

 Ukoliko je kabl za napajanje oštećen, potrebno je da ga proizvođač, serviser ili druga kvalifikovana osoba zameni istim takvim kako bi se izbegla opasnost – postoji rizik od električnog udara.


ČIŠĆENJE I ODRŽAVANJE

 **UPOZORENJE:** Pre obavljanja čišćenja ili održavanja, vodite računa da uređaj bude isključen i da ne bude priključen na strujno napajanje; nikada ne koristite opremu za čišćenje parom – postoji rizik od električnog udara.

 Nemojte da koristite abrazivne ili korozivne proizvode, sredstva za čišćenje na bazi hlora ili mrežice za čišćenje posuđa.

 Kada gorionici nisu u kućištu, nemojte da koristite uređaj za električno paljenje kako biste izbegli njegovo oštećenje.

ODLAGANJE AMBALAŽE


Materijal za pakovanje je moguće 100 % reciklirati i označen je reciklažnim simbolom .

Zato različite delove ambalaže treba odgovorno odložiti i u potpunosti u skladu sa propisima lokalnih vlasti o odlaganju otpada.

ODLAGANJE KUĆNIH UREĐAJA

Ovaj uređaj je proizveden od materijala koji se mogu reciklirati ili ponovo upotrebiti. Odložite ga u skladu s lokalnim propisima o odlaganju otpada. Za više informacija o tretmanu, ponovnom iskorišćavanju i reciklaži kućnih električnih uređaja obratite se nadležnom lokalnom organu vlasti, službi za sakupljanje komunalnog otpada ili prodavnici u kojoj ste kupili uređaj. Ovaj uređaj je označen u skladu sa Evropskom direktivom 2012/19/EU o električnoj i elektronskoj opremi (WEEE) i u skladu sa regulativama o električnoj i elektronskoj opremi 2013 (sa izmenama i dopunama).

Ako pravilno odložite proizvod na otpad, pomoći ćete u sprečavanju potencijalnih negativnih posledica po životnu sredinu i zdravlje ljudi.

Simbol  na proizvodu ili pratećim dokumentima ukazuje na to da sa njim ne treba postupati kao sa komunalnim otpadom, već ga treba predati odgovarajućem centru za sakupljanje i reciklažu električne i elektronske opreme.

SAVETI ZA UŠTEDU ENERGIJE

Koristite šerpe i tiganje čija je širina dna jednaka zoni za kuvanje.

Koristite samo šerpe i tiganje sa ravnim dnom.

Kad god je moguće, poklopci treba da budu na posuđu tokom kuvanja.

Koristite ekspres lonac da biste još više uštedeli energiju i vreme.

IZJAVA O USAGLAŠENOSTI

Ovaj uređaj ispunjava zahteve za Evropsku odredbu 66/2014 i propise za ekološki dizajn za proizvode u vezi sa energijom i energetske informacije (amandman) (izlazak iz EU) 2019, u skladu sa Evropskim standardom EN 30-2-1.

Vrsta korišćenog gasa	Vrsta gorionika	Oznaka injektora	Nazivni protok toplote u kW	Nazivna potrošnja	Smanjen toplotni kapacitet u kW	Pritisak gasa mbara		
						min.	naz.	maks.
GAZE NATURALE (Metan) G20	Brzi (R)	128 B	3,00	286 l/h	0,70	17	20	25
	Polubrzi (SR)	97	1,75	167 l/h	0,40			
	Pomoćni (AUX)	78 A	1,00	95 l/h	0,40			
	2 prstena (DC)	141	4,00	381 l/h	2,20			
GAZ PETROLIER LICHEFIAT (Butan) G30	Brzi (R)	87	3,00	218 g/h	0,70	20	30	35
	Polubrzi (SR)	67	1,75	127 g/h	0,40			
	Pomoćni (AUX)	50	1,00	73 g/h	0,40			
	2 prstena (DC)	94	3,70	269 g/h	2,20			
GAZ PETROLIER LICHEFIAT (Propan) G31	Brzi (R)	87	3,00	214 g/h	0,70	20	30	35
	Polubrzi (SR)	67	1,75	125 g/h	0,40			
	Pomoćni (AUX)	50	1,00	71 g/h	0,40			
	2 prstena (DC)	94	3,70	264 g/h	2,20			

Vrsta korišćenog gasa	Konfiguracija modela 5 GORIONIKA	Nazivni protok toplote (u Kw)	Ukupna nazivna potrošnja	Vazduh (m ³) potreban za sagorevanje 1m ³ gasa
G20 20 mbar	1R - 2SR - 1AUX - 1DC	11,50	1095 l/h	9,52
G30 30 mbar	1R - 2SR - 1AUX - 1DC	11,20	814 g/h	30,94
G31 30 mbar	1R - 2SR - 1AUX - 1DC	11,20	800 g/h	23,80

ELEKTRIČNO NAPAJANJE: 220-240 V ~ 50-60 Hz - 0,6 W

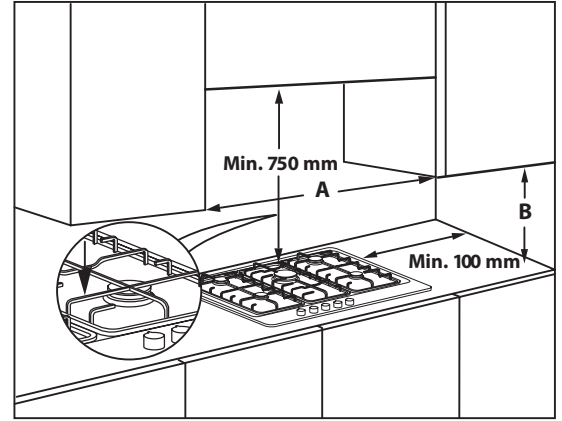
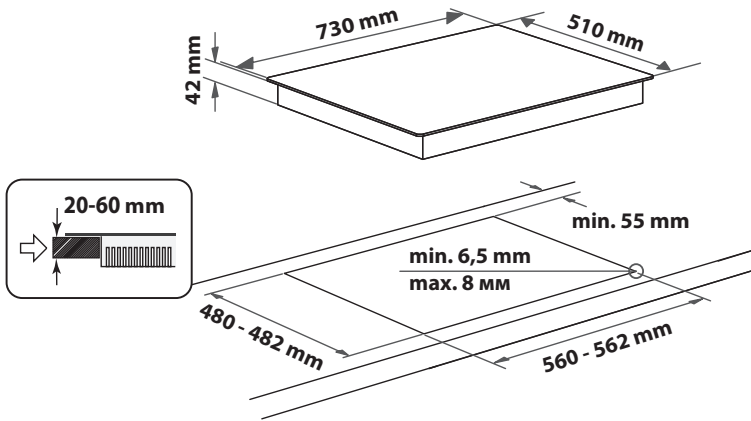


MONTAŽA (KLASA 3)

TEHNIČKE INFORMACIJE ZA MONTERA

- Prilikom rukovanja proizvodom, njegove pripreme i montaže koristite zaštitne rukavice.
- Ovaj proizvod može da se ugradi u radnu površinu debljine od 20 do 60 mm.
- Ukoliko ispod ploče za kuvanje nema rerne, montirajte pregradnu ploču sa površinom koja je najmanje jednaka otvoru u radnoj površini. Ploču treba montirati najviše 150 mm ispod gornjeg dela radne površine, ali ne manje od 20 mm od donjeg dela ploče za kuvanje. Ukoliko želite da ispod ploče za kuvanje montirate rernu, pobrinite se da je opremljena sistemom za hlađenje.

DIMENZIJE I RAZMACI



NAPOMENA: ako je razmak „A“ između strana elemenata od 600 do 730 mm, visina „B“ mora biti najmanje 530 mm. Ako je razmak „A“ između strana elemenata veći od širine ploče za kuvanje, visina „B“ mora biti najmanje 400 mm. U slučaju montaže aspiratora iznad površine za kuvanje, informacije o pravilnim razmacima potražite u uputstvu za aspirator.

SASTAVLJANJE

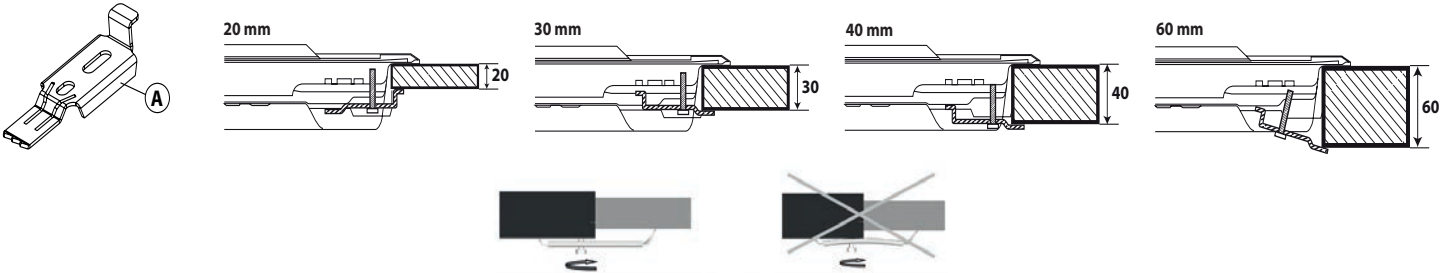
Nakon čišćenja okolne površine, postavite datu zaptivku na ploču za kuvanje kao što je prikazano na slici.

Stavite ploču za kuvanje u otvor na radnoj površini napravljen u skladu sa dimenzijama navedenim u uputstvu.



NAPOMENA: električni kabl za napajanje mora da bude dovoljno dug za izvlačenje prema gore.

Pričvrstite ploču za kuvanje korišćenjem priloženih nosača (A). Stavite nosače na odgovarajuće rupe obeležene strelicom i pričvrstite ih vijcima u skladu sa debljinom radne površine (pogledajte sledeće slike).

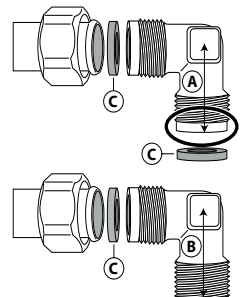


PRIKLJUČENJE GASA

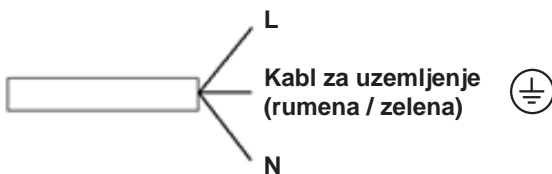
- Priključite priložen kolenasti fitting (A)* ili (B)* na glavnu dovodnu cev ploče za kuvanje stavljajući pri tome između priloženu podlošku (C) u skladu sa standardom EN 549.

* Upotrebite kolenasti fitting (A) u Francuskoj, a fitting (B) u svim ostalim zemljama.

- Posle priključenja na gas proverite sapunicom da li gde curi. Uključite gorionike i okrenite dugmad od maksimalnog do minimalnog položaja kako biste proverili stabilnost plamena.



ELEKTRIČNI PRIKLJUČAK



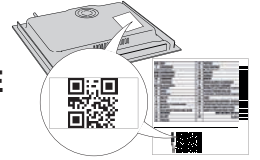
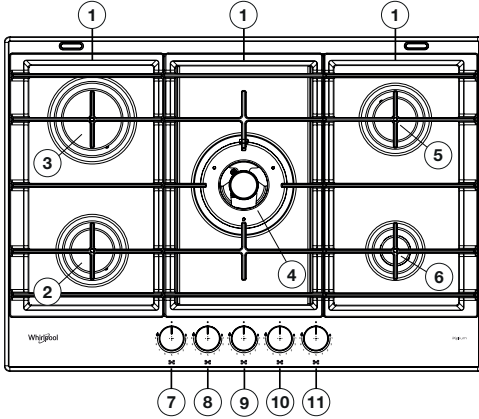
**HVALA ŠTO STE KUPILI PROIZVOD KOMPANIJE WHIRLPOOL**

Kako biste dobili kompletniju podršku, registrujte svoj proizvod putem www.whirlpool.eu/register.



Pažljivo pročitajte bezbednosna uputstva pre upotrebe uređaja.

SKENIRAJTE QR KÔD NA SVOM UREĐAJU DA BISTE DOBILI VIŠE INFORMACIJA

**OPIS PROIZVODA**

1. Rešetke za postavljanje posuđa koje mogu da se skinu
2. Polubrzi gorionik
3. Brzi gorionik
4. 2 prstena gorionik
5. Polubrzi gorionik
6. Pomoćni gorionik
7. Dugme za upravljanje polubrzi gorionikom
8. Dugme za upravljanje brzim gorionikom
9. Dugme za upravljanje 2 prstenam gorionikom
10. Dugme za upravljanje polubrzi gorionikom
11. Dugme za upravljanje pomoćnim gorionikom

Simboli

- Zacrtnjen krug ● Slavina zatvorena
- Velik plamen 🔥 Maksimalno otvaranje/dovod i električno paljenje
- Mali plamen 🔥 Minimalan otvor ili umanjen dovod

PRVA UPOTREBA**KAKO KORISTITI PLOČU ZA KUVANJE**

⚠ Nemojte dozvoliti da se plamen gorionika proširi preko ivica tiganja.

VAŽNO: prilikom korišćenja ploče za kuvanje čitav deo na kome se nalazi ploča za kuvanje može da postane vruć.

- Kako biste upalili jedan od gorionika, okrenite odgovarajuće dugme suprotno od pravca kretanja kazaljke na satu do položaja za najveći plamen.
- Pritisnite dugme do komandne table kako biste upalili gorionik.
- Pošto se gorionik upali, nastavite da pritiskate dugme otprilike 5–10 sekundi kako biste omogućili pravilan rad uređaja.
- Uređaj za zaštitu gorionika prekinuće dovod gasa do gorionika ukoliko se plamen slučajno ugasi (u slučaju iznenadne promaje, prekida u snabdevanju gasom, prekipljenja tečnosti itd.).
- Dugme se ne sme pritiskati više od 15 sekundi. Ukoliko se posle tog vremena gorionik ne upali, sačekajte najmanje jednu minutu pre ponovnog paljenja.**

NAPOMENA: ukoliko se gorionik teško pali usled posebnih lokalnih uslova isporuke gasa, preporučujemo vam da ponovite postupak okretanjem dugmeta u položaj za najmanji plamen.

Gorionik može da se ugasi pošto pustite dugme. To znači da se zaštitni uređaj nije dovoljno jako zagrejavao. U tom slučaju ponovite goreopisani postupak. U slučaju da se plamen gorionika slučajno ugasi, isključite gorionik i ne pokušavajte da ga ponovo upalite bar jedan minut.

PRAKTIČNI SAVETI ZA KORIŠĆENJE GORIONIKA

Ova ploča za kuvanje ima gorionike različitih prečnika. Kako bi gorionici što bolje radili, pridržavajte se sledećih pravila:

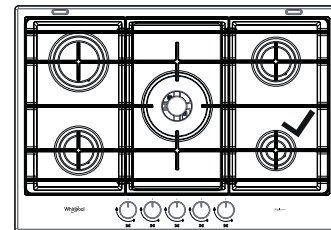
- Koristite lonce i tiganje čiji je prečnik jednak prečniku gorionika ili nešto veći (pogledajte tabelu na desnoj strani).
- Koristite samo lonce i tiganje sa ravnim dnom.
- Upotrebite pravu količinu vode za pripremanje hrane i poklopite lonac.
- Pobrinite se da lonci na rešetki ne vire preko ivice ploče za kuvanje.
- U slučaju tiganja sa izbočenim dnom (vok) upotrebite pomoćni stalak (nije priložen) koji treba da se koristi isključivo na gorioniku sa više prstenova.
- Izbegavajte slučajne udarce šerpama, rešetkama ili drugim kuhinjskim priborom.
- Ne ostavljajte prazne roštiljske tiganje na uključenom šporetu duže od 5 minuta.

VAŽNO: nepravilno korišćenje rešetaka može da ošteti ploče za kuvanje; nemojte da postavljate rešetke naopačke ili da njima klizite preko ploče za kuvanje.

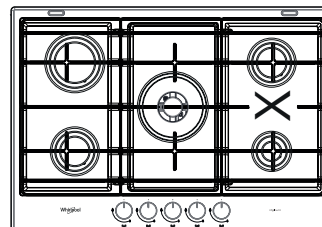
GORIONIK	Ø LONCA
2 prstena	Od 24 do 26 cm
Brzi	Od 24 do 26 cm
Polubrzi	Od 16 do 22 cm
Pomoćni	Od 8 do 14 cm

Nemojte da koristite:

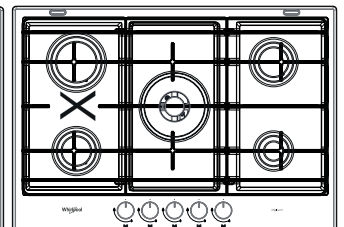
- Ploče za kuvanje od livenog gvožđa, kamenje za pečenje, lonce i tiganje od gline.
- Rasipače toplote kao što su metalne mreže ili drugi.
- Istovremeno dva gorionika za jednu posudu (npr. lonac za riblju čorbu).

PRAVILNO POZICIONIRANJE REŠETKI

OK



NO



NO

PRILAGOĐAVANJE APARATA RAZLIČITIM VRSTAMA GASA

⚠ Radove opisane u nastavku treba da izvrši kvalifikovan serviser.

Ukoliko je aparat namenjen za upotrebu sa vrstom gasa koja se razlikuje od vrste gasa navedene na natpisnoj pločici i nalepnici sa informacijama na gornjem delu ploče za kuvanje, zamenite injektore. Skinite nalepnicu sa informacijama i stavite je u knjižicu sa uputstvima.

Upotrebite regulatore pritiska koji odgovaraju pritisku gasa navedenom u uputstvu:

- Gasni injektor treba da zameni služba za korisnike ili kvalifikovan serviser.
- Injektor koji nije isporučen zajedno sa aparatom treba naručiti kod službe za korisnike.
- Podesite položaj slavina vezano za najmanju količinu gasa.

NAPOMENA: ukoliko se koristi tečni naftni gas (G30/G31), vijak za podešavanje najmanje količine gasa treba da se što jače zavrne.

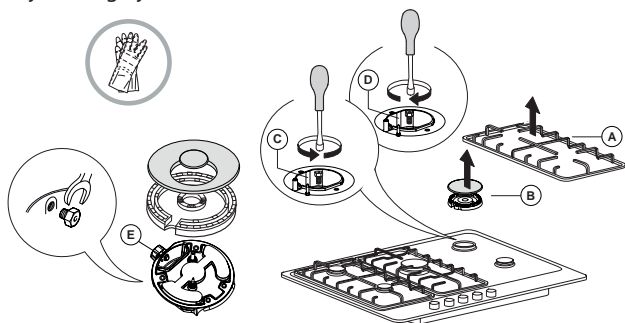
VAŽNO: u slučaju problema sa okretanjem dugmadi za gorionike, obratite se službi za korisnike radi zamene slavine gorionika u slučaju da je neispravna.

VAŽNO: u slučaju korišćenja boce ili posude za gas ista mora da bude pravilno postavljena (uspravno).

ZAMENA INJEKTORA (pogledajte tablicu mlaznica u Bezbednosnim uputstvima)

⚠ Radove opisane u nastavku treba da izvrši kvalifikovan serviser.

- Skinite rešetke (A).
- Izvucite gorionike (B).
- Pomoću nasadnog ključa odgovarajuće veličine odvrnite injektor (C), koji treba zameniti.
- Zamenite ga injektorom koji odgovara novoj vrsti gasa.
- Ponovo sastavite injektor u (D).
- U slučaju gorionika sa višestrukum krunom zamenite injektor (E) pomoću viljuškastog ključa.



Pre montaže ploče za kuvanje pričvrstite pločicu za kalibraciju gasa isporučenu zajedno sa injektorima na način da pokriva postojeće informacije u vezi sa kalibracijom gasa.

PODEŠAVANJE SLAVINA VEZANO ZA NAJMANJU KOLIČINU GASA

⚠ Radove opisane u nastavku treba da izvrši kvalifikovan serviser.

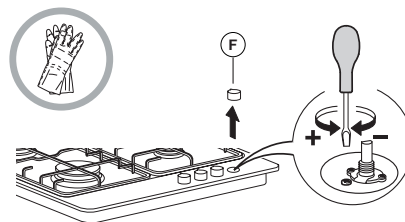
Podešavanje treba izvršiti sa slavnom u položaju za najmanju količinu gasa (fiamma piccola).

Primarni vazduh gorionika ne mora se podesiti.

Kako bi najmanja količina bila pravilno podešena, skinite dugme (F) i postupite na sledeći način:

- zavrnite vijak kako biste smanjili visinu plamena (-);
- odvrnite vijak kako biste povećali visinu plamena (+).

Uključite gorionike i okrenite dugmad od maksimalnog položaja do minimalnog položaja kako biste proverili stabilnost plamena.



Posle završetka podešavanja ponovo zaptite voskom za zaptivanje ili ekvivalentnim materijalom.

TABELA ZA KUVANJE

NIVO	NAČIN/VRSTA KUVANJA (PREPORUČUJE SE ZA)	SAVETI ZA KUVANJE
1-2	ODRŽAVANJE TOPLOTE	Idealno za omekšavanje putera, sporo topljenje čokolade na pari, otapanje malih porcija, kremasti rižoto.
	BLAGO KUVANJE	
3-4	LAGANO KLJUČANJE	Idealno za recepte sa sporijim kuvanjem (pirinač, soseve, pečenje, ribu) sa tečnostima (vodom, vinom, supom) i za pripremu kremaste paste, uz održavanje blagog ključanja.
	KRČKANJE	
5-6	PEČENJE	Idealno za dinstanje, krčkanje povrća, dugo kuvanje, dodatni pribor za predzagrevanje, kuvanje dok ne postane kremasto.
	PRŽENJE	
7-8	PRŽENJE UZ MEŠANJE	Idealno za stvaranje zapečene korice, početak kuvanja, brzo ključanje tečnosti, prženje duboko zamrznutih proizvoda, grilovanje mesa i ribe, održavanje ključanja.
	GRILOVANJE	
9	BRZO ZAGREVANJE	Idealno za brzo povećavanje temperature hrane ili za brzo zagrevanje tečnosti (voda).

ČIŠĆENJE I ODRŽAVANJE

⚠ Isključite uređaj sa električne mreže.

ČIŠĆENJE PLOČE ZA KUVANJE

- Sve emajlirane i staklene delove treba čistiti toplom vodom i neutralnim rastvorom.
- Površine od nerđajućeg čelika mogu da promene boju ukoliko ostanu predugo u dodiru sa tvrdom vodom ili agresivnim detergentima. Prolivenu tečnost (vodu, sos, kafu itd.) treba obrisati pre nego što se osuši.
- Očistite ploču za kuvanje toplom vodom i neutralnim detergentom, a zatim je obrišite mekanom krpom ili krpom od kože. Skinite skorele ostatke pomoću posebnih sredstava za čišćenje površina od nerđajućeg čelika.

NAPOMENA: površine od nerđajućeg čelika čistite samo mekanom krpom ili sunderom.

- Nemojte da koristite abrazivne ili korozivne proizvode, sredstva za čišćenje na bazi hlora ili mrežice za čišćenje posuđa.
- Nemojte da koristite uređaje za čišćenje parom.
- Nemojte da koristite zapaljive proizvode.
- Nemojte da ostavljate kisele ili alkalne materije kao što su sirće, senf, so, šećer ili sok od limuna na ploči za kuvanje.

ČIŠĆENJE DELOVA PLOČE ZA KUVANJE

- Staklene i emajlirane delove treba čistiti isključivo mekanom krpom ili sunderom.
- Rešetke, poklopci gorionika i gorionici mogu da se skinu kako bi se očistili.

- Očistite ih rukom koristeći toplu vodu i neabrazivan detergent i pri tome skinite sve ostatke hrane i proverite da li su otvori gorionika zapušeni.
- Isperite i osušite.
- **Rešetke od živog gvožđa se mogu prati u mašini za pranje sudova. Uklonite svu zagorelu hranu pre nego što postavite rešetke na najnižu pregradu u mašini za pranje sudova.**
- Vratite gorionike i njihove poklopce u odgovarajuća kućišta.
- Prilikom zamene rešetaka pobrinite se da mesto na kome stoji posuda bude tačno iznad gorionika.

- Kod modela sa dugmetom za električno paljenje gasa i zaštitnim uređajem treba dobro očistiti dugme kako bi se obezbedio pravilan rad. Redovno proveravajte te delove i po potrebi ih očistite nakvašenom krpom. Skinite skorele ostatke hrane čačalicom ili iglom.

NAPOMENA: kada gorionici nisu u kućištu, nemojte da koristite uređaj za električno paljenje kako biste izbegli njegovo oštećenje.

OTKLANJANJE PROBLEMA

Ukoliko ploča za kuvanje ne radi kako bi trebalo, pogledajte vodič za rešavanje problema pre nego što pozovete službu za korisnike.

1. Gorionik neće da se upali ili plamen nije ravnomeran

Proverite:

- da li su dovodi gasa ili električne energije zatvoreni, odnosno isključeni, a naročito da li je slavina za dovod gasa otvorena;
- da li je boca za gas (tečni gas) prazna;
- da li su otvori u gorioniku zapušeni;
- da li je dugme za paljenje gasa zaprljano;
- da li su svi delovi gorionika pravilno postavljeni;
- da li u blizini ploče za kuvanje ima promaje.

2. Gorionik se gasi

Proverite:

- da li je prilikom paljenja gorionika dugme dovoljno dugo pritisnuto kako bi se uključio zaštitni uređaj;
- da li su otvori u gorioniku pored termopara zapušeni;
- da li je završetak zaštitnog uređaja zaprljan;
- da li je najmanja količina gasa pravilno podešena (pogledajte odgovarajući odeljak).

3. Posude nisu stabilne

Proverite:

- da li je površina na kojoj stoji posuda potpuno ravna;
- da li je posuda postavljena tačno iznad gorionika;
- da li su rešetke zamenjene ili nepravilno postavljene.

Ukoliko i posle navedenih provera kvar još uvek postoji, obratite se najbližoj službi za korisnike.

POSTPRODAJNI SERVIS

U cilju dobijanja sveobuhvatne pomoći i podrške, registrujte proizvod na www.whirlpool.eu/register.

PRE NEGO ŠTO POZOVETE POSTPRODAJNI SERVIS:

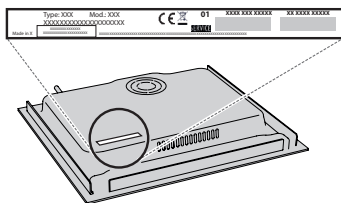
1. Proverite da li možete da rešite problem sami uz pomoć saveta datih u odeljku **OTKLANJANJE PROBLEMA**.
2. Uključite pa isključite uređaj i proverite da li je kvar i dalje prisutan.

UKOLIKO I NAKON GORENAVEDENIH PROVERA KVAR I DALJE POSTOJI, OBRATITE SE NAJBLIŽEM POSTPRODAJNOM SERVISU.

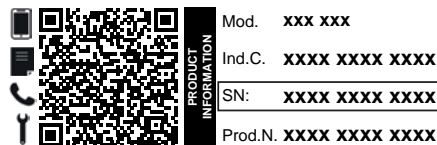
Za dobijanje podrške, pozovite broj prikazan na garantnoj knjižici, ili sledite instrukcije na veb stranici www.whirlpool.eu.

Prilikom kontaktiranja našeg postprodajnog servisa za kupce potrebno je da navedete:

- kratak opis kvara;
- tip i tačan model uređaja;



- serijski broj (broj iza reči SN na pločici sa podacima koja se nalazi ispod uređaja). Serijski broj je takođe naveden u dokumentaciji;



- svoju punu adresu;
- svoj broj telefona.

Ukoliko su potrebne bilo kakve popravke, obratite se ovlašćenom postprodajnom servisu (kako biste bili sigurni da će se koristiti originalni rezervni delovi i da će popravke biti izvedene na pravi način).

Smernice, standardna dokumentacija i dodatne informacije o proizvodu se mogu naći:

- Pomoću QR koda na uređaju;
- Na našem veb-sajtu docs.whirlpool.eu/docs;
- Takođe, možete **kontaktirati naš postprodajni servis** (broj se nalazi u garantnoj knjižici). Prilikom kontaktiranja našeg postprodajnog servisa, navedite šifru koja se nalazi na pločici za identifikaciju proizvoda.



⚠ Jelen utasítások akkor érvényesek, ha az országjelzés a készüléken is szerepel. Ha a jelzés nem szerepel a készüléken, kövesse a műszaki utasításokat, melyek elegendő információt nyújtanak ahhoz, hogy a készüléket megfelelően átalakíthassa az adott országban történő használatához.

⚠ **VIGYÁZAT!** A gázzal működő tűzhely működés közben hőt, párákat és robbanásveszélyes anyagokat bocsát ki abban a helyiségben, ahol üzembe helyezték. Biztosítsa a konyha megfelelő szellőzését, különösen a készülék használata közben: hagyja nyitva a természetes szellőzőnyílásokat, vagy építsen be mechanikus elszívóberendezést (mechanikus szagelszívót). Ha a készüléket hosszabb ideig használja, további szellőztetésre lehet szükség, tehát lehet, hogy ki kell nyitnia az ablakot, vagy magasabb fokozatra kell állítania a mechanikus szagelszívót, ha van.

⚠ Ha nem tartja be pontosan az útmutató utasításait, tűz vagy robbanás keletkezhet, amely anyagi kárt vagy személyi sérülést okozhat.

A készülék használata előtt olvassa el az alábbi biztonsági útmutatót. Őrizze meg a későbbi felhasználás érdekében.

A kézikönyvben és a készüléken található fontos biztonsági figyelmeztetéseket mindig olvassa el és tartsa be. A gyártó nem vállal felelősséget a biztonsági utasítások figyelmen kívül hagyásából, a készülék nem rendeltetésszerű használatából vagy a készülék kezelőszerveinek helytelen beállításából eredő károkért.

⚠ **VIGYÁZAT!** Ha a főzőlap felszíne megrepedt, ne használja a készüléket – elektromos áramütés kockázata.

⚠ **VIGYÁZAT!** Tűzveszély: Ne tároljon semmilyen tárgyat a főzőlapon.

⚠ **FIGYELEM:** A főzési folyamat során ne hagyja a készüléket hosszabb időre felügyelet nélkül. Rövid főzési folyamat során a készülék folyamatos felügyelete szükséges.

⚠ **VIGYÁZAT!** Ha felügyelet nélkül zsírral vagy olajjal főz a főzőlapon, az veszélyes lehet, és tüzet okozhat. SOHA ne próbálja a keletkezett tüzet vízzel eloltani! Inkább kapcsolja ki a készüléket, majd takarja le a lángokat pl. egy fedővel vagy egy tűzálló ponyvával.

⚠ Ne használja a főzőlapot munkafelületként vagy támasztékként. Tűzbiztonsági okokból ne hagyjon konyharuhát vagy más gyúlékony tárgyat a készülék közelében, amíg annak minden része teljesen ki nem hűl.

⚠ Kisgyermeket (0–3 év között) ne engedjen a készülék közelébe. A 3–8 év közötti gyerekek kizárólag felnőtt felügyelete mellett tartózkodhatnak a készülék közelében. A 8 évnél idősebb gyermekek, illetve a korlátozott fizikai, érzékelési vagy mentális képességű felnőttek, valamint a készülék használatát nem ismerő, illetve abban nem gyakorlott személyek kizárólag felügyelet mellett használhatják a készüléket, vagy csak azután, ha a készülék biztonságos használatával kapcsolatos utasításokat és a használatl járó kockázatokat megismerték. Ne engedje, hogy gyermekek játsszanak a készülékkel! A készülék

tisztítását és karbantartását gyermekek kizárólag felügyelet mellett végezhetik.

⚠ **VIGYÁZAT!** Ha a főzőlap üvege eltörik: Azonnal kapcsolja ki az összes gázrőzsát és elektromos fűtőelemet, majd húzza ki a készüléket az elektromos hálózathoz; Ne nyúljon a főzőlap felszínéhez; Ne használja a készüléket.

Az üvegburkolat eltörhet, ha felforrósodik. Kapcsolja ki az összes gázrőzsát és az elektromos főzőlapokat, mielőtt lehajtaná az üvegburkolatot. Ne hajtsa le az üvegburkolatot, amíg a gázrőzsák még égnek.

⚠ **VIGYÁZAT!** A készülék és annak hozzáférhető részei használat közben felforrósodnak. Ügyeljen arra, hogy ne érjen a fűtőelemekhez. A 8 évesnél fiatalabb gyermekeket távol kell tartani a készüléktől, hacsak nincsenek folyamatos felügyelet alatt.

⚠ Sütés előtt vagy után az ételt nem szabad a sütőben vagy annak tetején hagyni több mint egy órán át.

RENDELTESSZERŰ HASZNÁLAT

⚠ **VIGYÁZAT!** A készüléket nem lehet külső kapcsolószerkezettel (pl. időzítő) vagy távirányítóval használni.

⚠ A készüléket háztartási célra és ahhoz hasonló célú felhasználásra tervezték, mint például: munkahelyi konyha boltokban, irodákban és más munkahelyeken; tanyán; szállodák, motelek, reggelit és szobát kínáló és egyéb szálláshelyek vendégei számára.

⚠ Egyéb célra történő használata tilos (pl. helyiség fűtése).

⚠ A készüléket nem ipari felhasználásra tervezték. Ne használja a készüléket a szabadban.

⚠ Olyan edényeket használjon, amelyek aljának átmérője a gázrőzsák méretével azonos vagy annál kissé nagyobb (lásd vonatkozó táblázat). Ügyeljen arra, hogy a rácsokra helyezett edények ne nyúljanak túl a tűzhelylap szélén.

⚠ A rácsok helytelen használata károsíthatja a készüléket: ne használja a rácsokat fordítva, és ne húzza őket a főzőlapon.

Ne hagyja, hogy a gázrőzsák lángja továbbérjen az edény szélénél.

Ha a főzőlap felülete üveg, ne használjon öntöttvas serpenyőket, római tálakat, terrakottaedényeket.

Ne használja a következőket: hőelosztó eszközöket, például fémhálót vagy bármilyen más hálót; egy edényhez (pl. hosszúkás halsütő edény) egyszerre két gázrőzsát.

Ha a gázszolgáltatás helyi körülményei miatt a gázrőzsák begyűjtése nehézkes, javasoljuk, hogy próbálja újra úgy, hogy közben a gázrőzsát a legkisebb lángra állítja.

Ha a főzőlap fölé elszívóberendezést szerel, kövesse az elszívóhoz mellékelt utasításokat az üzembe helyezéshez.

A rácsok védő gumitalpait kisgyermek esetleg lenyelhetik, így fulladásveszélyt jelentenek. A rácsok levétele után ellenőrizze, hogy a gumitalpak megfelelően vannak-e rögzítve.

ÜZEMBE HELYEZÉS

⚠ A készülék mozgatását és üzembe helyezését a sérülésveszély csökkentése érdekében két vagy több személy végezze. Viseljen védőkesztyűt a készülék kicsomagolása és üzembe helyezése során, nehogy megvágja magát.

⚠ Az elektromos és gázbekötéseket a helyi előírásoknak megfelelően kell elvégezni.

⚠ A készülék üzembe helyezését és javítását, a vízbekötést (ha van) és az elektromos csatlakoztatást is beleértve, kizárólag képzett szakember végezheti. Csak akkor javítsa meg vagy cserélje ki a készülék egyes alkatrészeit, ha az adott művelet szerepel a felhasználói kézikönyvben. Ne engedje a gyermekeket abba a helyiségbe, ahol az üzembe helyezést végzi. A készülék kicsomagolása után ellenőrizze, hogy a szállítás során nem sérült-e meg. Probléma esetén vegye fel a kapcsolatot a kereskedővel vagy a legközelebbi vevőszolgálatlalt. Üzembe helyezés után a csomagolóanyagokat (műanyag, habszivacs stb.) az esetleges fulladásveszély miatt olyan helyen tárolja, vagy úgy dobja ki, hogy a gyermekek ne férhessenek hozzá. Az áramütés elkerülése érdekében az üzembe helyezési műveletek előtt húzza ki a készülék hálózati csatlakozóját. Az áramütés elkerülése érdekében az üzembe helyezés során győződjön meg arról, hogy a készülék miatt nem sérül-e a hálózati tápkábel. A készüléket csak a megfelelő üzembe helyezést követően kapcsolja be.

⚠ **VIGYÁZAT!** A készülék adott országnak megfelelő módosítása és az üzembe helyezés módja alapvető fontosságú a készülék biztonságos használata szempontjából.

⚠ A nyomásszabályzók segítségével állítsa be az utasításban jelzett gáznyomást.

⚠ A helyiségben léghűtő berendezést kell elhelyezni a használat során keletkező robbanásveszélyes gázok elvezetéséhez. Erre a célra egy elektromos ventilátorral ellátott szagelszívó is megfelel, amely minden alkalommal automatikusan bekapcsol, amikor a főzőlapot bekapcsolják.

⚠ Biztosítani kell továbbá a helyiségben a szabad légáramlást, mivel a gáz normál égéséhez levegőre van szükség. A légáramlásnak minden kW teljesítményre legalább 2 m³/h-nak kell lenni.

⚠ A szellőzőrendszer közvetlenül a szabadból szívhat be levegőt egy minimum 100 cm² belső átmérőjű csövön keresztül; a kinti nyílást védeni kell az eltömődéstől.

⚠ A rendszer a gáz égéséhez szükséges levegőt akár közvetetten is szolgáltathatja, az a lakás más helyiségeiből átvezetett szellőzőcsövek révén. Viszont ilyen esetben ezek a helyiségek nem lehetnek közös helyiségek, hálószobák vagy tűzveszélyes helyiségek.

⚠ Mivel a PB-gáz nehezebb a levegőnél, lesüllyed a padlószintre. Ezért ha gázpalackról oldják meg a gázellátást, a helyiségben biztosítani kell egy padlón kialakított, alsó szellőzőt is, hogy gázszivárgás esetén a gáz távozni tudjon. Ezért a teljesen vagy részben feltöltött gázpalackot nem szabad a talajszintnél alacsonyabb helyiségekben (pince stb.) üzembe helyezni vagy tárolni. Javasoljuk, hogy kizárólag az éppen használt gázpalackot tartsa a helyiségben, és úgy helyezze el, hogy külső hőforrásoktól távol legyen (sütők, kandallók, tűzhelyek stb.), így azok ne emelhessék a palack hőmérsékletét 50 °C fölé.

Ha a szabályzó gombokat nehezen lehet elforgatni, hívja az ügyfélszolgálatot, mert lehet, hogy a gombok cseréjére van szükség.

A szellőző- és hőelosztó nyílásokat soha ne fedje le.

⚠ Végezzen el minden asztalosmunkát a bútoron, és gondosan távolítsa el minden faforgácsot és fűrészport, mielőtt a készüléket a befoglaló egységbe szerelné.

⚠ Ha a készüléket nem egy sütő fölé szereli be, tegyen egy elválasztó panelt (nem tartozék) az alsó konyhaszekrény és a főzőlap közé.

GÁZCSATLAKOZÁS

⚠ **VIGYÁZAT!** Üzembe helyezés előtt győződjön meg arról, hogy a helyi gázhálózat jellemzői (gáztípus és gáznyomás) megfelelnek a készülék beállításainak.

⚠ Ellenőrizze, hogy a gázellátás megfelel-e az . táblázat „Gázrészak és fűvőkák műszaki adatai” adatainak.

⚠ **VIGYÁZAT!** A készülék konfigurációs feltételei a címkén (vagy adattáblán) találhatóak.

⚠ **VIGYÁZAT!** A készülék nincs felszerelve a robbanásveszélyes gázok elvezetésére szolgáló berendezéssel. A készüléket a hatályos üzembe helyezési előírásoknak megfelelően kell üzembe helyezni. Különösen fontos a vonatkozó, szellőzéssel kapcsolatos előírások pontos betartása.

⚠ Ha a készüléket folyékony gázra csatlakoztatják, a szabályzócsavart a lehető legszorosabban meg kell húzni.

⚠ **FONTOS:** Ha a készüléket gázpalackról üzemeltetik, a palackot megfelelően kell elhelyezni (függőlegesen).

⚠ **VIGYÁZAT!** Ezt a műveletet csak szakképzett szerelő végezheti.

⚠ A gázcsatlakozáshoz csak rugalmas vagy merev fémcsövet használjon.

⚠ Csatlakoztatás merev csőre (réz vagy acél): A gázellátáshoz történő csatlakoztatást úgy kell elvégezni, hogy az semmilyen megterhelésnek ne tegye ki a készüléket, tehát a csatlakozás ne feszüljön. A készülék bemeneti nyílására csatlakozó, L-alakú cső állítható, és egy tömítéssel is fel van szerelve a szivárgás megelőzése érdekében. A tömítést minden alkalommal ki kell cserélni, miután a csőszerelvényt elforgatják (a tömítés a készülék tartozékai között található). A gázellátást biztosító cső egy menetes, 1/2-es, henger alakú cső, apa csatlakozóval.

⚠ Csatlakoztatás hajlékony, illesztékmentes acélcsővel a menetes csatlakozóvégre: A gázellátást biztosító cső egy menetes, 1/2-es, henger alakú cső, apa csatlakozóval. Az ilyen csöveket mindig úgy kell felszerelni, hogy azok teljesen kinyújtva soha ne legyenek hosszabbak 2000 mm-nél. A csatlakoztatás elvégzése után győződjön meg róla, hogy a hajlékony fémcső nem ér hozzá semmilyen mozgó alkatrészhez és nincs összeszorítva. Kizárólag az adott országban hatályos előírásoknak megfelelő csöveket és tömítéseket használjon.

⚠ **FONTOS:** Ha acéltömlőt használ, úgy szerelje be, hogy az ne érjen hozzá a bútorzat mozdítható elemeihez (pl. fiókok). Olyan helyen kell a tömlőt átvezetni, ahol az semmilyen akadályba nem ütközik, és ahol a tömlőt teljes hosszában meg lehet vizsgálni szükség esetén.

⚠ A készüléket az adott országban hatályos előírásoknak megfelelő módon kell a hálózati gázellátásra vagy a gázpalackra csatlakoztatni. A csatlakoztatás elvégzése előtt győződjön meg róla, hogy a készülék kompatibilis-e a használni kívánt gázellátással. Ha nem, kövesse a „Különböző fajta gázok használata” c. bekezdés utasításait.

⚠ Miután csatlakoztatta a gázhálózatához, szappanos

vízzel ellenőrizze, nincs-e szivárgás valahol. Gyűjtsa be a gázrózsákat, majd forgassa a gombokat nagy lángról (1. állás) kis lángra (2. állás), hogy ellenőrizze a láng stabilitását.

KÜLÖNBÖZŐ FAJTA GÁZOK HASZNÁLATA

(Ezt a műveletet csak szakképzett szerelő végezheti).

⚠️ Annak érdekében, hogy a készüléket az eredetileg tervezett (lásd adattáblázat) gázoktól eltérő típusú gázokhoz is használni lehessen, kövesse az üzembe helyezési ábrákon bemutatott lépéseket.

ELEKTROMOS ÁRAMMAL KAPCSOLATOS FIGYELMEZTETÉSEK

⚠️ **FONTOS:** A készülék feszültség- és teljesítményadatait az adattábla tartalmazza.

⚠️ A csatlakoztatási szabályok szerint a tápkábelt jól hozzáférhetően kell elhelyezni úgy, hogy szükség esetén a készüléket ki lehessen húzni a hálózati áramforrásból, vagy egy többpólusú kapcsolóval azonnal le lehessen választani a hálózatról. A készüléket továbbá földelni kell az adott országban hatályos elektromos biztonsági szabványnak megfelelően.

⚠️ A tápkábelnek elég hosszúnak kell lennie ahhoz, hogy a házba beszerelt készülék csatlakoztatható legyen a hálózati aljzathoz. Ne húzza meg a tápkábelt.

⚠️ Ne használjon hosszabbítót, többcsatlakozós dugaljat vagy adaptert. Az elektromos alkatrészek nem lehetnek hozzáférhetőek az üzembe helyezés után. Ne használja a készüléket mezítábor, és ne nyúljon hozzá nedves kézzel. Ne használja a készüléket, ha a tápkábel vagy a csatlakozódugó sérült, illetve ha a készülék nem működik megfelelően, megsérült vagy leejtették.

⚠️ Ha a hálózati kábel sérült, azt az áramütési kockázat elkerülése érdekében a gyártóval, a gyártó szervizképviselőjével vagy hasonlóan képzett személlyel kell egy azonos kábelre kicseréltetni.


TISZTÍTÁS ÉS KARBANTARTÁS

⚠️ **VIGYÁZAT!** Bármilyen karbantartási művelet előtt győződjön meg arról, hogy a készüléket kikapcsolta és kihúzta a konnektorból. Az áramütés elkerülése érdekében soha ne használjon gőznyomással működő tisztítókészüléket.

⚠️ Ne használjon súroló- vagy korrozív szereket, klóros tisztítószerkeket vagy dörzsszivacsot.

⚠️ Az elektromos szikragyújtó berendezés sérülésének elkerülése érdekében ne használja a berendezést, ha a gázrózsák nincsenek a helyükön.

A CSOMAGOLÓANYAGOK HULLADÉKELHELYEZÉSE


A csomagolóanyagok 100%-ban újrahasznosíthatók, és el vannak látva az újrahasznosítás jelével: .

Ezért a csomagolás különböző részeit felelősen és környezettudatosan, a helyi előírásoknak megfelelően kell hulladékként elhelyezni.

HÁZTARTÁSI KÉSZÜLÉKEK LESELEJTÉZÉSE

Ez a készülék újrahasznosítható vagy újrafelhasználható anyagok felhasználásával készült. A készüléket a helyi hulladékkezelési szabályoknak megfelelően selejtezze le. Az elektromos háztartási készülékek kezelésére, hasznosítására és újrafeldolgozására vonatkozó további információkért forduljon az illetékes helyi hatósághoz, a háztartási hulladékok begyűjtését végző vállalathoz vagy az üzlethez, ahol a készüléket vásárolta. Ez a berendezés az elektromos és elektronikus berendezések hulladékairól szóló 2012/19/EU irányelvnek, illetve az elektromos és elektronikus berendezések hulladékairól szóló 2013. évi (módosított) előírásoknak megfelelően került megjelölésre.

A hulladékká vált termék szabályszerű elhelyezésével Ön segít elkerülni a környezettel és az emberi egészséggel kapcsolatos negatív következményeket.

A terméken vagy a kísérő dokumentumokon található  jel azt jelzi, hogy a készüléket nem szabad háztartási hulladékként kezelni, hanem az elektromos és elektronikai készülékeknek megfelelő gyűjtőhelyen kell leadni.

ENERGIATAKARÉKOSÁGI TANÁCSOK

Olyan edényeket használjon, amelyek aljának mérete megegyezik a főzőzóna méretével.

Kizárólag lapos aljú edényeket használjon.

Ha lehetséges, a főzés során fedje le az edényeket.

Az energia- és időmegtakarítás érdekében használjon kuktát.

MEGFELELŐSÉGI NYILATKOZAT

A környezettudatos tervezésre vonatkozó 66/2014/EU rendelet irányelveinek, valamint a környezettudatos tervezésre és energiacímkezésére vonatkozó (módosított) (EU Exit) 2019-es rendelet irányelveinek, az EN 30-2-1 európai szabvánnyal összhangban.

Használt gáz típusa	Gázrőzsa típusa	A befecskendő jelölése	Névleges termikus áram kW	Névleges fogyasztás	Csökkentett hőkapacitás kW	Gáznyomás mbar		
						min.	névl.	max.
FÖLDGÁZ (Metán) G20	Gyors (R)	122 A	3,00	286 l/óra	0,70	20	25	33
	Közepes (SR)	92	1,75	167 l/óra	0,40			
	Kiegészítő (AUX)	74 A	1,00	95 l/óra	0,40			
	2 gyűrűs(DC)	135	4,00	381 l/óra	2,20			
FÖLDGÁZ G25.1	Gyors (R)	131	3,00	332 l/óra	0,70	18	25	33
	Közepes (SR)	102	1,75	194 l/óra	0,40			
	Kiegészítő (AUX)	81	1,00	111 l/óra	0,40			
	2 gyűrűs(DC)	154	3,70	409 l/óra	2,20			
FOLYÉKONY GÁZ (Bután) G30	Gyors (R)	87	3,00	218 g/óra	0,70	20	30	35
	Közepes (SR)	67	1,75	127 g/óra	0,40			
	Kiegészítő (AUX)	50	1,00	73 g/óra	0,40			
	2 gyűrűs(DC)	94	3,70	269 g/óra	2,20			
FOLYÉKONY GÁZ (Propán) G31	Gyors (R)	87	3,00	214 g/óra	0,70	20	30	35
	Közepes (SR)	67	1,75	125 g/óra	0,40			
	Kiegészítő (AUX)	50	1,00	71 g/óra	0,40			
	2 gyűrűs(DC)	94	3,70	264 g/óra	2,20			

Használt gáz típusa	Kivétel 5 ÉGŐ	Névleges áramlási sebesség (kW)	Teljes névleges fogyasztás	1m ³ gáz elégetéséhez szükséges levegő (m ³)
G20 25 mbar	1R - 2SR - 1AUX - 1DC	11,50	1095 l/óra	9,52
G25.1 25 mbar	1R - 2SR - 1AUX - 1DC	11,20	1239 l/óra	8,187
G30 30 mbar	1R - 2SR - 1AUX - 1DC	11,20	814 g/óra	30,94
G31 30 mbar	1R - 2SR - 1AUX - 1DC	11,20	800 g/óra	23,80

ELEKTROMOS HÁLÓZAT: 220-240 V ~ 50-60 Hz - 0,6W

*Amennyiben a készüléket Magyarországon szeretné használni, a már összeszerelt fűvókákat (G20 - 20 mbar) a magyarországi szabályozásoknak megfelelően kell kicserélni, erről a Felhasználó útmutatóban tájékozódhat. A fűvókacserét szakembernek kell végeznie. A Készülékhez Nem Mellékelt Befecskendezők A Vevőszolgálatától Kell Rendelni.

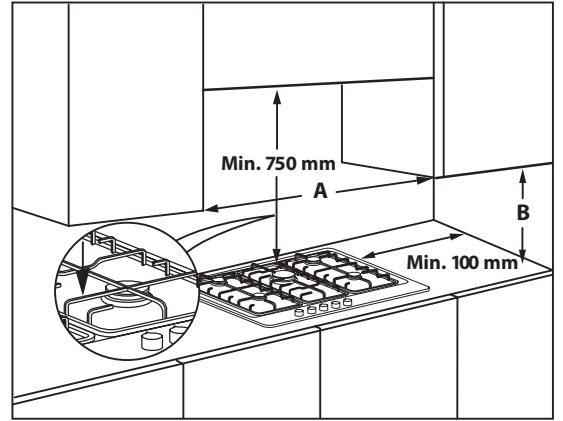
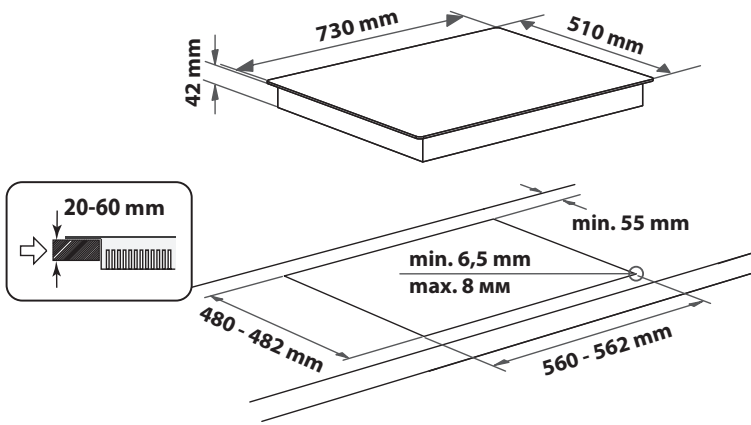


BESZERELÉS (3. OSZTÁLY)

MŰSZAKI INFORMÁCIÓK A BESZERELÉST VÉGZŐ SZAKEMBER SZÁMÁRA

- A termék kezelése, illetve beszerelése során használjon védőkesztyűt.
- A terméket 20–60 mm vastag munkalapba lehet beépíteni.
- Ha nem szerel be sütőt a főzőlap alá, illesszen be egy elválasztólapot, amely legalább akkora felületű, mint a kivágott munkalap felülete. A lapot maximum 150 mm-rel a felső munkalap alá kell beszerelni úgy, hogy ne legyen 20 mm-nél távolabb a főzőlap aljától. Ha sütőt is szeretne beszerelni a főzőlap alá, olyat válasszon, amely hűtőrendszerrel is el van látva.

MÉRETEK ÉS TÁVOLSÁGOK, AMELYEKET BE KELL TARTANI



MEGJEGYZÉS: ha a faliszekrényektől mért „A” távolság 600 mm és 730 mm között van, akkor a „B” magasságnak legalább 530mm-nek kell lennie. Ha a faliszekrényektől mért „A” távolság nagyobb, mint a főzőfelület szélessége, akkor a „B” magasságnak legalább 400mm-nek kell lennie. Ha elszívót is szerel a főzőlap fölé, a megfelelő beszerelési távolságokkal kapcsolatban tekintse meg az elszívó útmutatóját.

ÖSSZESZERELÉS

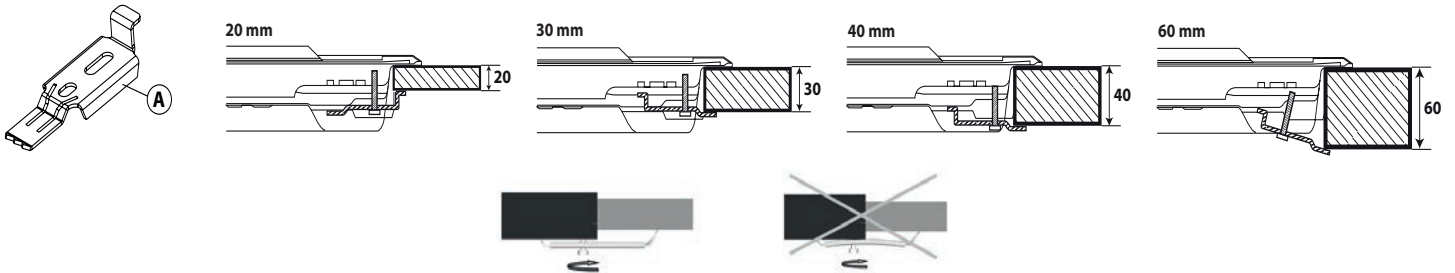
A kerületi felület megtisztítása után illessze a mellékelt tömitést a főzőlapra az ábrán látható módon.

Helyezze a főzőlapot a munkafelületen kialakított nyílásba. Ügyeljen az utasításokban megadott méretekre.



MEGJEGYZÉS: a tápkábelnek elég hosszúnak kell lennie ahhoz, hogy ki lehessen húzni felülről.

A főzőlap rögzítéséhez használja a mellékelt rögzítőszerelvényeket (A). Illessze a rögzítőszerelvényeket a nyílak által jelzett megfelelő furatokba, majd rögzítse őket a csavarokkal a munkalap vastagságának megfelelően (lásd a következő ábrákat).

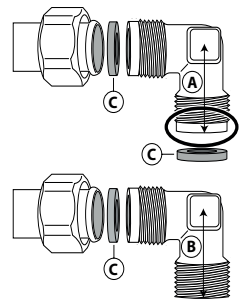


GÁZCSATLAKOZÁS

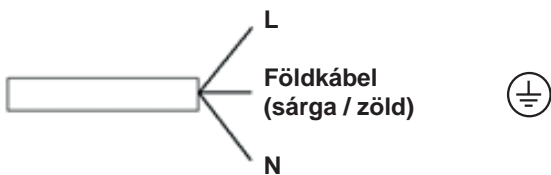
- Az EN 549 előírásainak megfelelően csatlakoztassa a mellékelt derékszögű csatlakozót (A)* vagy (B)* a fő bemeneti csőhöz, és helyezze be a mellékelt alátétet (C).

* **Franciaországban az (A) derékszögű csatlakozó, a többi országban a (B) derékszögű csatlakozó használatos.**

- Miután csatlakoztatta a gázhálózathoz, szappanos vízzel ellenőrizze, nincs-e szivárgás valahol. Gyűjtsa be a gázrőzsákat, majd a gombokat a maximumról ↻ a minimumra ↻ forgatva ellenőrizze a láng stabilitását.



ELEKTROMOS CSATLAKOZTATÁS





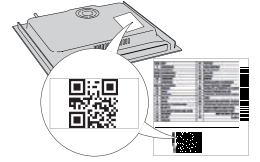
KÖSZÖNJÜK, HOGY A WHIRLPOOL TERMÉKÉT VÁLASZTotta

Teljes körű szolgáltatásaink eléréséhez, kérjük, regisztrálja termékét honlapunkon: www.whirlpool.eu/register.

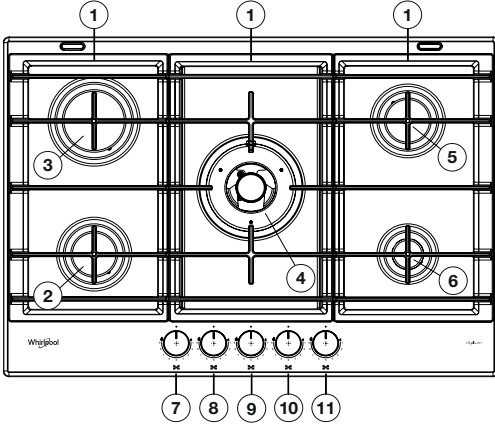


A készülék használata előtt olvassa el figyelmesen a Biztonsági útmutatót.

A TOVÁBBI INFORMÁCIÓK ELÉRÉSÉHEZ OLVASSA BE A KÉSZÜLÉKEN TALÁLHATÓ QR-KÓDOT



TERMÉKLEÍRÁS



- Eltávolítható edénytartó rácsok
- Közepes gáزرózsza
- Gyors gáزرózsza
- 2 gyűrűs gáزرózsza
- Közepes gáزرózsza
- Kiegészítő gáزرózsza
- A közepes gáزرózsza szabályozógombja
- A gyors gáزرózsza szabályozógombja
- A 2 gyűrűs gáزرózsza szabályozógombja
- A közepes gáزرózsza szabályozógombja
- A kiegészítő gáزرózsza szabályozógombja

Szimbólumok

- Árnyékolt kör ● Csap zárva
- Nagy láng 🔥 Maximális fokozat/adagolás és szikragyújtás
- Kis láng 🔥 Minimális fokozat vagy csökkentett adagolás



NAPI HASZNÁLAT

A FŐZŐLAP HASZNÁLATA

⚠ Ne hagyja, hogy a gáزرózsza lángja tovább érjen az edény szélénél.

FONTOS! a főzőlap működésekor a főzőlap teljes felülete meleggé válhat.

- Egy gáزرózsza meggyújtásához fordítsa el a megfelelő gombot az óramutató járásával ellentétes irányba a maximális láng beállításig.
- Nyomja be a gombot a vezérlőpanel felé.
- Miután a gáزرózsza begyullad, tartsa nyomva a gombot körülbelül 5–10 másodpercig a megfelelő működés érdekében.
- A gáزرózsza biztonsági eszköze elzárja a rózsa gázellátását, ha a láng véletlenül megszűnik (huzat, kiömlő folyadék, a gázszolgáltatásban bekövetkező zavar stb. miatt).
- A gombot nem szabad 15 másodpercnél tovább benyomva tartani. Ha ez az idő eltelt, és a gáزرózsza nem marad égve, várjon legalább egy percet, majd próbálja meggyújtani újra.

MEGJEGYZÉS: ha esetleg a helyi gázszolgáltatási körülmények miatt nehézségekbe ütközik a gáزرózsza begyújtása, próbálja begyújtani úgy, hogy kis lángra állítja a gombot.

Elképzeltető, hogy a gáزرózsza kialszik, amikor elengedi a gombot. Ez azt jelenti, hogy a biztonsági eszköz még nem melegedett be kellőképpen. Ebben az esetben ismételje meg a fenti lépéseket.

A gázégő lángjának véletlen kialvása esetén forgassa kikapcsolt helyzetbe a kiterőgombot, majd 1 perc elteltével próbálkozzon meg az újragyújtással.

A GÁZERŐSÁKKAL KAPCSOLATOS GYAKORLATI TANÁCSOK

A gázerősák átmérője különböző. A jobb teljesítmény érdekében tartsa be az alábbi szabályokat:

- olyan lábasokat és serpenyőket használjon, amelyek ugyanakkorak vagy kicsit nagyobbak, mint a gázerősák (lásd a jobb oldali táblázatot);
- csak lapos fenekű lábasokat és serpenyőket használjon;
- az ételkészítéshez megfelelő mennyiségű vizet használjon, és fedje le a lábást;
- a lábasok ne érjenek túl a főzőlap szélén;
- ha olyan serpenyőt használ, amelynek nem teljesen lapos az alja (pl. wok), használja a kiegészítő rácsot (nincs a csomagban), amelyet a többgyűrűs gázerősára kell helyezni;
- kerülje az edényekhez, rácsokhoz vagy egyéb konyhai eszközökhöz való ütközést;
- ne hagyja 5 percnél tovább az üres rostélyokat az égő tűzhelyen.

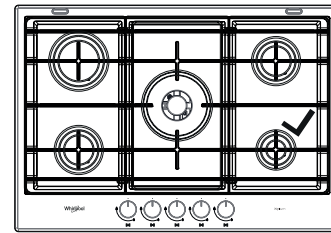
FONTOS! a rácsok nem megfelelő használata sérülést okozhat a főzőlapon: ne használja a rácsokat fordítva, és ne húzza őket a főzőlapon.

GÁZERŐSZA	EDÉNY Ø
2 gyűrűs	24 - 26 cm
Gyors	24 - 26 cm
Közepes	16 - 22 cm
Kiegészítő	8 - 14 cm

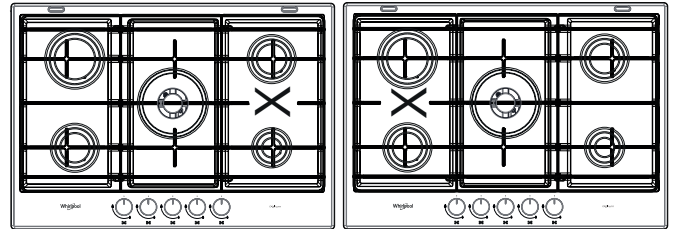
Ne használja a következőket:

- öntöttvas serpenyőket, római tálakat, terrakottaedényeket;
- hőelosztó eszközöket, például fémhálót vagy bármilyen más hálót;
- két gázerősát egyidejűleg egy edényhez (pl. halfőző edény).

HELYES ELHELYEZÉSE RÁCSOK



OK



NO

NO

KOMPATIBILITÁS KÜLÖNBÖZŐ FAJTA GÁZOKKAL

⚠ Ezt a műveletet villanyszerelőnek kell végeznie.

Ha a készüléket az adattáblán és a főzőlap tetején található tájékoztatócímkén feltüntetett gáztípustól eltérő gázzal szeretné használni, cserélje ki a befecskendezőt. Távolítsa el a tájékoztatócímkét, és őrizze meg a kézikönyvvel együtt.

Az útmutatóban megjelölt gáznyomáshoz megfelelő nyomásszabályozókat használjon:

- A gázbefecskendezőt csak a hivatalos szervizzel vagy más szakemberrel szabad cseréltetni;
- A készülékhez nem mellékelt befecskendezőt a vevőszolgálattól kell rendelni;
- Állítsa a csapokat a minimális értékre.

MEGJEGYZÉS: folyékony petróleumgáz esetén (G30/G31) a minimális gázbeállítás csavarját addig kell meghúzni, amíg csak lehet.

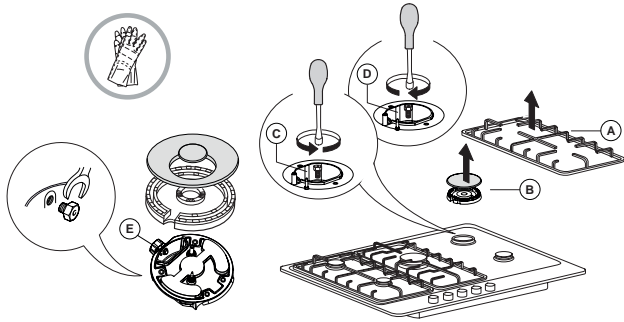
FONTOS! ha nehézségekbe ütközik a gázrőzsák gombjainak működtetése közben, vegye fel a kapcsolatot a vevőszolgálattal, és amennyiben a gázrőzsák csapja hibásnak bizonyul, rendeljen újat.

FONTOS! Ha gázpalackot használ, a palackot megfelelően kell beállítani (függőleges helyzetben).

A BEFECSKENDEZŐK CSERÉJE (lásd az befecskendezők ről szóló táblázatot az Biztonsági utasítások)

⚠ Ezt a műveletet villanyszerelőnek kell végeznie.

- Távolítsa el a rácsokat (A).
- Vegye ki a gázrőzsákat (B).
- Egy megfelelő méretű csőkulcs használatával csavarozza ki a kicserélendő befecskendezőt (C).
- Illessze be a gáztípusnak megfelelő befecskendezőt.
- Szerelje be a befecskendezőt (D).
- Ha többszörös gázrőzsát használ, befecskendezőt (E) kicseréléséhez használjon villáskulcsot.



A főzőlap beszerelése előtt rögzítse a befecskendezőhöz mellékelt gázkalibrációs lemezt úgy, hogy lefedje a gázkalibrálással kapcsolatos már meglévő információkat.

A CSAPOK MINIMÁLIS GÁZBEÁLLÍTÁSA

⚠ Ezt a műveletet villanyszerelőnek kell végeznie.

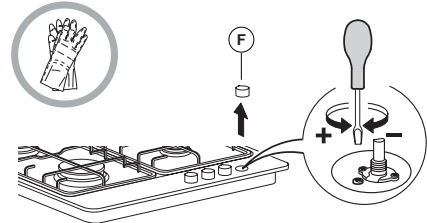
A beállítást úgy kell elvégezni, hogy a csap a minimális gázbeállításon legyen (kis láng).

A gázrőzsák elsődleges levegőjét nem kell beállítani.

A megfelelő beállítás érdekében távolítsa el a gombot (F), és tegye a következőket:

- húzza meg a csavart a lángmagasság csökkentése érdekében (-);
- lazítsa meg a csavart a lángmagasság növelése érdekében (+).

Ezen a ponton, kapcsolja be a gázrőzsákat, forgassa a gombokat a maximumból a minimumra, hogy ellenőrizni tudja a láng stabilitását.



A beállítás végeztével tömítsen újra tömítőviasszal vagy azzal egyenértékű anyaggal.

FŐZÉSI TÁBLÁZAT

SZINT	ÉTELKÉSZÍTÉSI MÓD (A KÖVETKEZŐKHOZ AJÁNLOTT)	ÉTELKÉSZÍTÉSI TANÁCSOK
1-2	MELEGEN TARTÁS	Ideális vaj lágyításához, csokoládé óvatos olvasztásához vízgőz felett, kis adagok kiolvasztásához, rizottó krémesre főzéséhez.
	KÍMÉLETES FŐZÉS	
3-4	GYÖNGYÖZTETÉS	Ideális lassú főzéshez (rizs, mártások, sülték, hal) kísérő folyadékokkal (víz, bor, húslé, tej) és tészta elkeveréséhez, folyamatos gyöngyöztetéshez.
	PÁROLÁS	
5-6	SÜTÉS	Ideális hirtelen sütéshez, zöldségek párolásához, hosszabb ideig tartó főzéshez, tartozékok előmelegítéséhez, krémesre főzéshez.
	OLAJBAN SÜTÉS	
7-8	RÁZVA PIRÍTÁS	Ideális pirításhoz, sütés megkezdéséhez, folyadékok gyors felforralásához, mélyhűtött termékek sütéséhez, hal és hús grillezéséhez, folyamatos forraláshoz.
	GRILLEZÉS	
9	GYORS MELEGÍTÉS	Ideális az étel hőmérsékletének gyors emeléséhez vagy folyadékok (víz) gyors felmelegítéséhez.

TISZTÍTÁS ÉS KARBANTARTÁS

⚠ Válassza le a készüléket az áramforrásról.

A FŐZŐLAP FELÜLETÉNEK TISZTÍTÁSA

- A zománcozott és üvegrészeket meleg vízzel és semleges oldattal tisztítsa.
- A rozsdamentes acél felületeket foltossá teheti a meszes víz vagy az agresszív tisztítószer, ha hosszú időn keresztül érintkeznek velük. A folyadékcspepeket (víz, szósz, kávé stb.) le kell törölni, még mielőtt megszáradnának.

- Meleg vízzel és semleges tisztítószerrel tisztítsa meg, majd szárítsa meg a felületet egy puha ronggyal vagy bőrkendővel. Az odaégett ételmaradékokat a rozsdamentes acél felületekhez ajánlott tisztítószerrel távolítsa el.

MEGJEGYZÉS: a rozsdamentes acél felület tisztításához csak puha rongyot vagy szivacsot használjon.

- Ne használjon súroló- vagy korrozív szereket, klóros tisztítószereket vagy dörzsszivacsot.

- Ne használjon gőznyomással működő tisztítóberendezéseket.
- Ne használjon gyúlékony termékeket.
- Ne hagyjon a tűzhelylapon savas vagy lúgos anyagokat, például ecetet, mustárt, sót, cukrot vagy citromlevet.

A FŐZŐLAP ALKATRÉSZEINEK TISZTÍTÁSA

- Az üveg és zománczott részek tisztításához puha rongyot vagy szivacsot használjon.
- A rácsok, a gázrózsasapkák és a gázrózsák tisztítás céljából eltávolíthatók.
- Tisztítsa meg őket kézzel, meleg vízzel és nem súrolóhatású tisztítószerrel, távolítsa az ételmaradékokat, és ellenőrizze, hogy a gázrózsa nyílásai nincsenek-e eltömődve.
- Öblítse le, majd szárítsa meg őket.
- **Az öntöttvas rácsok mosogatógépben is tisztíthatók.** Távolítsa el minden odaégett ételt, mielőtt a rácsot a mosogatógép legalsó rekeszébe helyezi.

- Illessze vissza a gázrózsákat és a gázrózsasapkákat pontosan a helyükre.
- A rács visszahelyezésekor ügyeljen arra, hogy az edénytartó terület jól illeszkedjen a gázrózsához.
- Az elektromos szikragyújtással és biztonsági eszközzel felszerelt típusokat alaposan meg kell tisztítani a szikragyújtó csatlakozója körül a megfelelő működés érdekében. Gyakran ellenőrizze ezeket az alkatrészeket, és ha szükséges, tisztítsa meg őket egy nedves ronggyal. A rásült ételmaradékokat el kell távolítani egy fogpiszkálóval vagy tűvel.

MEGJEGYZÉS: az elektromos szikragyújtó berendezés sérülésének elkerülése érdekében ne használja a berendezést, ha a gázrózsák nincsenek a helyükön.

A PROBLÉMÁK MEGOLDÁSA

Ha a főzőlap nem megfelelően működik, tekintse meg a hibaelhárítási útmutatót a probléma meghatározásához, és csak ezután vegye fel a kapcsolatot a vevőszolgálattal.

1. A gázrózsák nem égnek, vagy a láng nem egyenletes

Ellenőrizze a következőket:

- A gáz- vagy áramellátás nincs elzárva, és a gázcsap nyitva van.
- A gázpalack (folyékony gáz) nem üres.
- A gázrózsa nyílásai nincsenek eltömődve.
- A dugasz vége nem szennyezett.
- A gázrózsa minden alkatrésze megfelelő helyzetben van.
- Nincs huzat a főzőlap közelében.

2. A gázrózsa nem marad égve

Ellenőrizze a következőket:

- A gázrózsa meggyújtásakor a gombot megfelelő ideig nyomva tartotta, így a védőrendszer aktiválódott.

- A gázrózsa nyílásai nincsenek eltömődve a termoelem közelében.
- A biztonsági eszköz vége nem koszos.
- A gáz minimális beállítása megfelelő (lásd az erről szóló részt).

3. Az edény nem áll stabilan

Ellenőrizze a következőket:

- Az edény alja teljesen lapos.
- A gázrózsa az edény közepén helyezkedik el.
- A rácsok nincsenek felcserélve, illetve megfelelő helyen állnak.

Ha a fenti ellenőrzések után a hiba még mindig fennáll, lépjen kapcsolatba a legközelebbi vevőszolgálattal.

VEVŐSZOLGÁLAT

Ahhoz, hogy átfogóbb támogatásban részesüljön, kérjük, regisztrálja készülékét a www.whirlpool.eu/register oldalon.

MIELŐTT A VEVŐSZOLGÁLATOT HÍVNÁ:

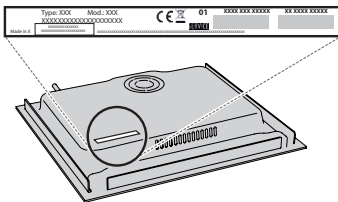
1. Ellenőrizze, hogy a probléma megoldható-e a **HIBAELHÁRÍTÁS** részben ismertetett javaslatok segítségével.
2. Kapcsolja ki, majd kapcsolja be újra a készüléket, hogy lássa, fennáll-e még a hiba.

HA A FENTI LÉPÉSEK ELVÉGZÉSE UTÁN A HIBA TOVÁBBRA IS FENNÁLL, LÉPJEN KAPCSOLATBA A HELYI VEVŐSZOLGÁLATTAL.

Ha segítségre van szüksége, hívja a garanciafüzetben található telefonszámot, vagy kövesse a weboldalon (www.whirlpool.eu) megadott utasításokat.

Ha a vevőszolgálathoz fordul, minden esetben meg kell adnia a következő adatokat:

- a hiba rövid leírását;
- a sütő pontos modelljét és típusát;



- sorozatszám (az SN szó utáni szám a készülék alatt található adattáblán). A sorozatszámot a dokumentáció is megadja;



Mod. **xxx xxx**
Ind.C. **xxxx xxxx xxxx**
SN: **xxxx xxxx xxxx**
Prod.N. **xxxx xxxx xxxx**

- a teljes címét;
- a telefonszámát.

Ha bármilyen javításra van szükség, kérjük, hogy a hivatalos vevőszolgálathoz forduljon (annak biztosítása érdekében, hogy eredeti alkatrészeket használjanak, és a javításokat megfelelően végezzék el).

A szabályzatok, a szabványos dokumentáció és a termékkel kapcsolatos további információk elérhetők:

- A készüléken lévő QR-kód használatával;
- Ha ellátogat a docs.whirlpool.eu/docs weboldalra;
- Vagy **vegye fel a kapcsolatot a vevőszolgálattal** (a telefonszámot lásd a garanciafüzetben). Amennyiben a vevőszolgálathoz fordul, kérjük, adja meg a termék adattábláján feltüntetett kódokat.



INSTRUCȚIUNI PRIVIND SIGURANȚA

IMPORTANT: TREBUIE CITITE ȘI RESPECTATE

⚠ Aceste instrucțiuni sunt valabile numai dacă simbolul țării în care este utilizat aparatul este prezent pe acesta. Dacă simbolul corespunzător nu este prezent pe acesta, este necesar să consultați instrucțiunile tehnice, deoarece acestea conțin instrucțiunile necesare privind modificarea aparatului în funcție de condițiile de utilizare specifice țării respective.

⚠ **ATENȚIE:** Utilizarea unui aparat de gătit cu funcționare pe gaz are ca rezultat generarea de căldură, umiditate și produși combustibili în încăperea în care acesta este instalat. Asigurați-vă că bucătăria este bine ventilată, mai ales atunci când aparatul este în funcțiune: mențineți deschise orificiile de aerisire sau instalați un dispozitiv de ventilare mecanică (hotă cu extracție mecanică). Utilizarea intensivă și îndelungată a aparatului ar putea impune necesitatea unei ventilări suplimentare, de exemplu, deschiderea ferestrei sau o modalitate mai eficientă de ventilare, prin creșterea nivelului de ventilare mecanică atunci când este cazul.

⚠ Nerespectarea cu exactitate a instrucțiunilor din acest manual poate duce la incendiu sau explozie, care se soldează cu pagube materiale sau vătămări corporale.

Înainte de a utiliza aparatul, citiți aceste instrucțiuni privind siguranță. Păstrați-le la îndemână pentru a le putea consulta și pe viitor.

Aceste instrucțiuni și aparatul în sine furnizează avertismente importante privind siguranță, care trebuie respectate întotdeauna. Producătorul nu își asumă nicio răspundere pentru nerespectarea acestor instrucțiuni de siguranță, pentru utilizarea necorespunzătoare a aparatului sau pentru setarea incorectă a butoanelor de comandă.

⚠ **AVERTISMENT:** Aparatul și părțile sale accesibile se înfierbântă în timpul utilizării. Trebuie evitată atingerea elementelor fierbinți. Copiii cu vârste mai mici de 8 ani nu trebuie lăsați să se apropie de aparat, cu excepția cazurilor în care sunt supravegheați în permanentă.

⚠ **AVERTISMENT:** Dacă suprafața plitei este crăpată, nu folosiți aparatul – risc de electrocutare.

⚠ **AVERTISMENT:** Pericol de incendiu: Nu depozitați obiecte pe zonele de gătit.

⚠ **ATENȚIE:** Procesul de preparare trebuie să fie supravegheat. Un proces de preparare care durează puțin trebuie să fie supravegheat în permanentă.

⚠ **AVERTISMENT:** Prepararea la plită cu grăsime sau ulei poate fi periculoasă - risc de incendiu. Nu încercați NICIODATĂ să stingeți un incendiu folosind apă: trebuie să opriți aparatul și apoi trebuie să acoperiți flacăra, de exemplu cu un capac sau cu o pătură ignifugă.

⚠ Nu utilizați plita ca suprafață de lucru sau suport. Nu amplasați articole vestimentare sau alte materiale inflamabile lângă aparat până când nu s-au răcit complet toate componentele acestuia - pericol de incendiu.

⚠ Nu lăsați aparatul la îndemâna copiilor foarte mici (0-3 ani). Nu lăsați aparatul la îndemâna copiilor mici (3-8 ani) decât dacă sunt supravegheați în permanentă. Copiii cu vârsta de peste 8 ani și persoanele cu capacități fizice, senzoriale sau mintale reduse sau fără experiență și cunoștințe pot folosi acest aparat doar dacă sunt supravegheate sau au fost instruite cu privire la utilizarea în siguranță și înțeleg riscurile implicate. Copiii nu trebuie să se joace cu aparatul. Curățarea și întreținerea nu trebuie să fie efectuate de către copii fără a fi supravegheați.

⚠ **ATENȚIE:** În cazul spargerii sticlei plitei: închideți imediat toate arzătoarele și toate rezistențele electrice și deconectați aparatul de la sursa de alimentare; nu atingeți suprafața aparatului; nu utilizați aparatul.

Capacul din sticlă se poate sparge dacă este încălzit excesiv. Opriți toate arzătoarele și plăcile electrice înainte de a închide capacul. Nu închideți capacul dacă arzătorul este aprins.

⚠ Alimentele nu trebuie lăsate în interiorul sau deasupra produsului mai mult de o oră înainte sau după preparare.

UTILIZAREA PERMISĂ

⚠ **ATENȚIE:** aparatul nu trebuie să fie pus în funcțiune prin intermediul unui comutator extern, precum un temporizator, sau al unui sistem de comandă la distanță separat.

⚠ Acest aparat este proiectat pentru a fi utilizat în locuințe, precum și în alte spații similare, precum: bucătării destinate personalului din magazine, birouri și alte spații de lucru; ferme; de către clienții din hoteluri, moteluri, unități de cazare de tip "Bed and breakfast" și alte spații rezidențiale.

⚠ Orice altă utilizare este interzisă (de ex. încălzirea încăperilor).

⚠ Acest aparat nu este destinat utilizării în scop profesional. Nu utilizați aparatul în aer liber.

⚠ Utilizați oale și cratițe cu diametrul bazei egal sau puțin mai mare decât diametrul arzătoarelor (consultați tabelul specific). Aveți grijă ca vasele de gătit așezate pe grătare să nu iasă în afara marginilor plitei.

⚠ Utilizarea necorespunzătoare a grătarelor poate duce la deteriorarea plitei: nu așezați grătarele cu susul în jos și nu le târați pe suprafața plitei.

Aveți grijă ca flacăra arzătorului să nu se extindă dincolo de marginea vasului. Dacă suprafața plitei este fabricată din sticlă, nu utilizați tigăi din fontă, plăci de piatră pentru gătit, oale și cratițe din teracotă.

Nu utilizați: Difuzoare de căldură, de tipul plaselor metalice sau de alte tipuri. Două arzătoare în același timp pentru un singur vas (de ex. o tavă de gătit pește). În cazul în care condițiile locale specifice de distribuire a gazelor fac ca aprinderea arzătorului să fie dificilă, este indicat să repetați operația cu butonul rotit la poziția pentru flacăra mică.

În cazul instalării unei hote deasupra plitei, consultați instrucțiunile care însoțesc hota pentru a identifica distanțele corecte de montare.

Picioarele de protecție din cauciuc de sub grătare ar putea fi înghițite de copii, reprezentând astfel un pericol de sufocare. După îndepărtarea grătarelor, vă rugăm să vă asigurați că toate picioarele sunt montate corect.

INSTALAREA

⚠ Manevrarea și instalarea aparatului trebuie să fie efectuate de două sau mai multe persoane - risc de rănire. Folosiți mănuși de protecție la despachetare și instalare - risc de tăiere.

⚠ Conexiunile electrice și racordurile pentru gaz trebuie să fie efectuate în conformitate cu normele locale.

⚠ Instalarea, inclusiv racordarea la rețeaua de alimentare cu apă (dacă este necesară) și la rețeaua de alimentare cu energie electrică, precum și reparațiile trebuie efectuate de un tehnician calificat. Nu reparați și nu înlocuiți nicio piesă a aparatului, dacă acest lucru nu este indicat în mod expres în manualul de utilizare. Nu lăsați copiii în apropierea zonei de instalare. După despachetarea aparatului, asigurați-vă că acesta nu a fost deteriorat în timpul transportului. Dacă apar probleme, contactați distribuitorul sau cel mai apropiat serviciu de asistență tehnică post-vânzare. Odată instalat aparatul, deșeurile de ambalaje (bucăți de plastic, polistiren etc.) nu trebuie lăsate la îndemâna copiilor - risc de asfixiere. Înainte de orice operație de instalare, aparatul trebuie să fie deconectat de la rețeaua de alimentare cu energie electrică - risc de electrocutare. În timpul instalării, aveți grijă ca aparatul să nu deterioreze cablul de alimentare - risc de incendiu sau de electrocutare. Activați aparatul numai atunci când instalarea a fost finalizată.

⚠ **AVERTISMENT:** Modificarea aparatului și a metodei de instalare a acestuia sunt esențiale în vederea utilizării corecte și în siguranță a aparatului în toate țările ale căror simboluri nu sunt specificate pe acesta.

⚠ Folosiți regulatoare de presiune potrivite pentru presiunea gazului precizată în instrucțiuni.

⚠ Încăperea trebuie să fie prevăzută cu un sistem de extracție a aerului care să elimine din incintă gazele combustibile.

⚠ De asemenea, în încăperea trebuie să fie permisă circulația liberă a aerului, deoarece acesta este absolut necesar pentru o ardere normală. Debitul de aer nu trebuie să fie de sub 2 m³/h per kW de putere instalată.

⚠ Sistemul de circulație a aerului poate extrage aerul direct din exterior prin intermediul unei conducte cu o secțiune transversală internă de cel puțin 100 cm²; deschiderea nu trebuie să fie blocată.

⚠ De asemenea, acest sistem poate asigura indirect aerul necesar pentru ardere, adică din încăperile adiacente prevăzute cu conducte de circulație a aerului, conform descrierii anterioare. Totuși, aceste încăperi nu trebuie să fie camere de zi, dormitoare sau să comporte riscul de izbucnire a unui incendiu.

⚠ Gazul petrolier lichefiat cade pe planșeu deoarece are o greutate mai mare decât cea a aerului. Astfel, încăperile în care se află butelii de GPL trebuie să fie de

asemenea prevăzute cu orificii de aerisire pentru a se permite eliminarea gazului în cazul scurgerii acestuia. În consecință, buteliile de GPL, încărcate parțial sau complet, nu trebuie să fie instalate sau depozitate în încăperi sau spații de depozitare aflate sub nivelul solului (pivnițe etc.). Este recomandat ca în încăperea să fie depozitată numai butelia utilizată, aceasta fiind poziționată într-un loc ferit de căldura produsă de sursele externe (cuptoare, șemineuri, sobe etc.) care ar putea determina creșterea temperaturii buteliei la o valoare de peste 50 °C.

Dacă întâmpinați dificultăți când rotiți butoanele arzătoarelor, vă rugăm să contactați Serviciul de asistență tehnică post-vânzare în vederea înlocuirii robinetului arzătorului dacă acesta este defect.

Deschiderile destinate ventilării și dispersiei căldurii nu trebuie să fie niciodată acoperite.

⚠ Executați toate operațiunile de decupare a mobilei înainte de a încorpora aparatul și înlăturați cu grijă toate așchiile din lemn și rumegușul.

⚠ În cazul în care aparatul nu este montat deasupra unui cuptor, trebuie să fie instalat un panou despărțitor (neinclus în dotarea aparatului) în compartimentul de sub acesta.

RACORDAREA LA GAZ

⚠ **AVERTISMENT:** Înainte de instalare, asigurați-vă că condițiile de distribuție de la nivel local (tipul de gaz și presiunea gazului) sunt compatibile cu configurația aparatului.

⚠ Verificați dacă presiunea de alimentare cu gaz este conformă cu valorile specificate în tabelul „Specificații privind arzătorul și duza”.

⚠ **AVERTISMENT:** Valorile de reglare a aparatului sunt specificate pe etichetă (sau pe plăcuța cu date tehnice).

⚠ **AVERTISMENT:** Acest aparat nu este conectat la un dispozitiv de evacuare a produselor de ardere. Dispozitivul trebuie să fie instalat și conectat în conformitate cu normele în vigoare privind instalarea. Trebuie să se acorde o atenție deosebită cerințelor relevante privind ventilația.

⚠ Dacă aparatul este racordat la o sursă de alimentare cu gaz lichefiat, șurubul de reglare trebuie să fie strâns cât mai mult posibil.

⚠ **IMPORTANT:** Când se folosește alimentarea cu gaz de la butelie, butelia sau recipientul de gaz trebuie să fie așezate în mod adecvat (orientare verticală).

⚠ **AVERTISMENT:** Această operație trebuie să fie efectuată de un tehnician calificat.

⚠ Folosiți numai furtunuri metalice flexibile sau rigide pentru racordul de gaz.

⚠ **Racord rigid (din cupru sau oțel)** Racordul la sistemul de alimentare cu gaz trebuie să fie efectuat astfel încât să nu se exercite presiuni asupra aparatului. Pe rampa de alimentare a aparatului este prezent un racord în forma literei L reglabil, care este prevăzut cu o garnitură ce previne scurgerile. Garnitura trebuie să fie înlocuită întotdeauna după rotirea racordului (garnitura este livrată împreună cu aparatul). Racordul conductei de alimentare cu gaz este un racord 1/2 cilindric filetat de tip tată.

⚠ Racordarea unei țevi din oțel inoxidabil flexibile și fără sudură la un racord filetat Racordul conductei de alimentare cu gaz este un racord 1/2 cilindric filetat de tip tată. Țevile trebuie să fie instalate astfel încât să nu aibă niciodată o lungime mai mare de 2000 mm atunci când sunt complet extinse. Odată ce a fost realizată racordarea, asigurați-vă că țeavă metalică flexibilă nu intră în contact cu nicio componentă mobilă și că nu este presată. Utilizați numai țevi și garnituri care sunt conforme cu normele naționale.

⚠ **IMPORTANT:** Dacă se utilizează un furtun din oțel inoxidabil, acesta trebuie instalat astfel încât să nu atingă nicio componentă mobilă a mobilierului (de exemplu, un sertar). Acesta trebuie să treacă printr-o zonă în care nu există obstacole și care să permită examinarea furtunului pe toată lungimea sa.

⚠ Aparatul trebuie să fie racordat la rețeaua de alimentare cu gaz sau la butelia de gaz în conformitate cu normele naționale. Înainte de a efectua racordarea, asigurați-vă că aparatul este compatibil cu tipul de gaz pe care doriți să îl utilizați. Dacă nu există compatibilitate, urmați instrucțiunile de la paragraful "Adaptarea pentru diferite tipuri de gaz".

⚠ După racordarea la alimentarea cu gaz, verificați etanșeitățile folosind apă cu săpun. Aprindeți arzătoarele și rotiți butoanele de la poziția de maxim 1* la poziția de minim 2* pentru a verifica stabilitatea flăcării.

ADAPTAREA PENTRU DIFERITE TIPURI DE GAZ

(Această operațiune trebuie efectuată de un tehnician calificat).

⚠ Pentru a adapta aparatul la un alt tip de gaz decât cel pentru care a fost fabricat acesta (indicat pe plăcuța cu date tehnice), urmați pașii corespunzători, indicați după desenele aferente instalării.

AVERTISMENTE PRIVIND ALIMENTAREA CU ENERGIE ELECTRICĂ

⚠ **IMPORTANT:** Informațiile despre consumul de curent și tensiune sunt furnizate pe plăcuța cu date tehnice.

⚠ Aparatul trebuie să poată fi deconectat de la rețeaua electrică fie prin scoaterea ștecherului din priză (dacă ștecherul este accesibil), fie prin intermediul unui întrerupător multipolar situat în amonte de priză, în conformitate cu normele privind cablurile electrice, iar aparatul trebuie să fie împământat, în conformitate cu standardele naționale privind siguranța electrică.

⚠ Cablul de alimentare trebuie să fie suficient de lung pentru a putea conecta aparatul la rețeaua de alimentare cu energie electrică, după ce a fost încastrat în mobilă. Nu trageți de cablul de alimentare.

⚠ Nu utilizați prelungitoare, prize multiple sau adaptoare. După finalizarea instalării, componentele electrice nu trebuie să mai fie accesibile pentru utilizator. Nu utilizați aparatul dacă aveți părți ale corpului umede sau când sunteți desculți. Nu puneți în funcțiune acest aparat dacă are cablul de alimentare

sau ștecherul deteriorat, dacă nu funcționează corespunzător sau dacă a fost deteriorat sau a căzut pe jos.

⚠ Dacă este deteriorat cablul de alimentare, acesta trebuie înlocuit cu unul identic de către producător, agentul de service sau de o persoană calificată similară, pentru a se evita pericolele - pericol de electrocutare.


CURĂȚAREA ȘI ÎNTREȚINEREA

⚠ **AVERTISMENT:** Asigurați-vă că aparatul este oprit și deconectat de la rețeaua de alimentare electrică înainte de a efectua orice operație de întreținere; nu folosiți niciodată aparatul de curățare cu aburi-risc de electrocutare.

⚠ Nu utilizați produse abrazive sau corozive, produse pe bază de clor sau bureți de sârmă pentru vase.

⚠ Pentru a evita deteriorarea dispozitivului de aprindere electrică, nu-l folosiți atunci când arzătoarele nu sunt în locașurile lor.

ELIMINAREA AMBALAJULUI


Ambalajul este reciclabil în proporție de 100% și este marcat cu simbolul reciclării .

Prin urmare, diferitele părți ale ambalajului trebuie eliminate în mod corespunzător și în conformitate cu normele stabilite de autoritățile locale privind eliminarea deșeurilor.

ELIMINAREA APARATELOR ELECTROCASNICE

Acest aparat este fabricat cu materiale reciclabile sau reutilizabile. Eliminați-l în conformitate cu normele locale referitoare la eliminarea deșeurilor. Pentru informații suplimentare referitoare la tratarea, valorificarea și reciclarea aparatelor electrocasnice, contactați autoritățile locale competente, serviciul de colectare a deșeurilor menajere sau magazinul de unde ați achiziționat aparatul. Acest aparat este marcat în conformitate cu Directiva europeană 2012/19/UE privind deșeurile de echipamente electrice și electronice (DEEE) și cu reglementările din 2013 privind deșeurile de echipamente electrice și electronice (astfel cum au fost modificate).

Asigurându-vă că acest produs este eliminat în mod corect, contribuiți la prevenirea consecințelor negative asupra mediului înconjurător și sănătății persoanelor.

Simbolul  de pe produs sau de pe documentele care îl însoțesc indică faptul că acest aparat nu trebuie eliminat ca deșeu menajer, ci trebuie predat la un centru de colectare corespunzător, pentru reciclarea echipamentelor electrice și electronice.

RECOMANDĂRI PRIVIND ECONOMISIREA ENERGIEI

Utilizați oale și cratițe cu diametrul bazei egal cu cel al zonei de gătit.

Utilizați numai oale și cratițe cu baza plată.

Când gătiți, pe cât posibil, lăsați oalele acoperite cu capacul.

Utilizați o oală sub presiune pentru a reduce și mai mult consumul de energie și durata de preparare.

DECLARAȚIE DE CONFORMITATE

Acest aparat îndeplinește Cerințele de proiectare ecologică prevăzute de Regulamentul european nr. 66/2014, precum și Regulamentele din 2019 (leșire UE) (Amendamentul) privind informațiile energetice și proiectarea ecologică aplicabilă produselor cu impact energetic, în conformitate cu Standardul european EN 30-2-1.

Tip de gaz utiliza	Tip de arzător	Marcaj injector	Capacitate termică nominală kW	Consum nominal	Capacitate termică redusă kW	Presiune gaz mbar		
						min.	nom.	max.
GAZE NATURALE (Metan) G20	Rapid (R)	128 B	3,00	286 l/h	0,70	17	20	25
	Semi-rapid (SR)	97	1,75	167 l/h	0,40			
	Auxiliary (AUX)	78 A	1,00	95 l/h	0,40			
	2 inele de ardere (DC)	141	4,00	381 l/h	2,20			
GAZ PETROLIER LICHEFIAT (Butan) G30	Rapid (R)	87	3,00	218 g/h	0,70	20	30	35
	Semi-rapid (SR)	67	1,75	127 g/h	0,40			
	Auxiliary (AUX)	50	1,00	73 g/h	0,40			
	2 inele de ardere (DC)	94	3,70	269 g/h	2,20			
GAZ PETROLIER LICHEFIAT (Propan) G31	Rapid (R)	87	3,00	214 g/h	0,70	20	30	35
	Semi-rapid (SR)	67	1,75	125 g/h	0,40			
	Auxiliary (AUX)	50	1,00	71 g/h	0,40			
	2 inele de ardere (DC)	94	3,70	264 g/h	2,20			

Tip de gaz utiliza	Configurație model 5 ARZĂTOARE	Capacitate termică nominală (kW)	Consum total nominal	Aer necesar (m ³) pentru a arde 1m ³ de gaz
G20 20 mbar	1R - 2SR - 1AUX - 1DC	11,50	1095 l/h	9,52
G30 30 mbar	1R - 2SR - 1AUX - 1DC	11,20	814 g/h	30,94
G31 30 mbar	1R - 2SR - 1AUX - 1DC	11,20	800 g/h	23,80

ALIMENTAREA CU ELECTRICITATE: 220-240 V ~ 50-60 Hz - 0,6 W

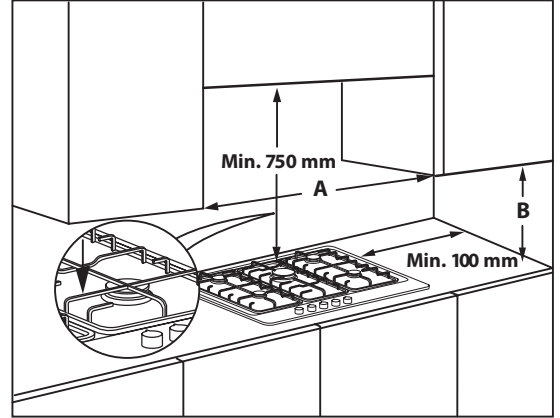
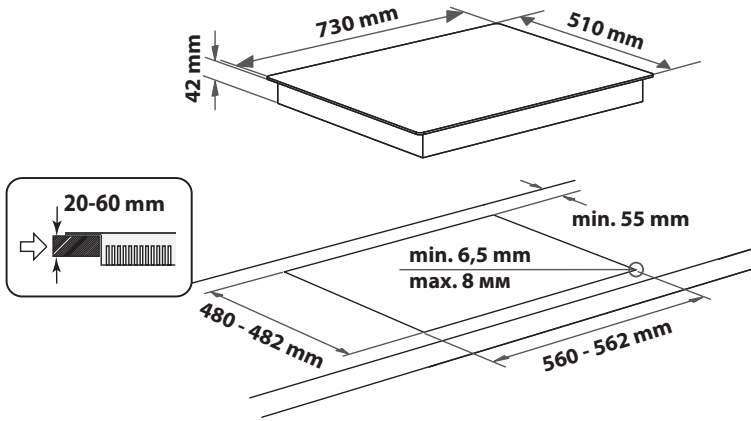


INSTALAREA (CLASA 3)

INFORMAȚII TEHNICE PENTRU INSTALATOR

- Folosiți mănuși de protecție pentru manevrarea, pregătirea și instalarea produsului.
- Acest produs poate fi încadrat într-un blat de lucru cu o grosime de 20 până la 60 mm.
- Dacă nu există un cuptor dedesubtul plitei, introduceți un panou separator cu o suprafață cel puțin egală cu deschiderea din blatul de lucru. Acest panou trebuie poziționat la o distanță maximă de 150 mm sub partea superioară a blatului de lucru, dar în niciun caz la mai puțin de 20 mm de partea inferioară a plitei. Dacă doriți să instalați un cuptor sub plită, asigurați-vă că acesta este echipat cu un sistem de răcire.

DIMENSIUNI ȘI DISTANȚE DE RESPECTAT



NOTĂ: dacă distanța "A" dintre dulapurile suspendate este între 600 mm și 750 mm, înălțimea "B" trebuie să fie de cel puțin 530 mm. Dacă distanța "A" dintre dulapurile suspendate este mai mare decât lățimea suprafeței de gătit, înălțimea "B" trebuie să fie de cel puțin 400 mm. În cazul instalării unei hote deasupra plitei, respectați instrucțiunile cu distanțele corecte de montare a hotei

MONTAREA

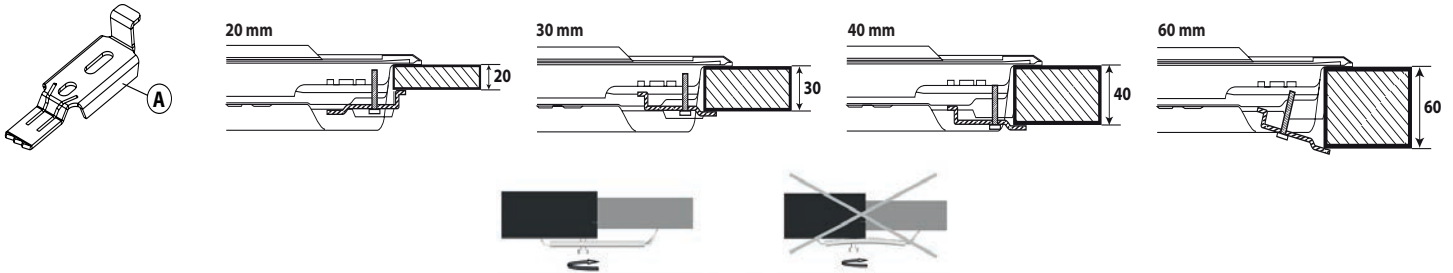
După ce ați curățat suprafața marginilor, aplicați pe plită garnitura furnizată, așa cum se arată în figură.

Poziționați plita în deschiderea practică în blatul de lucru, respectând dimensiunile indicate în Instrucțiuni.

NOTĂ: cablul de alimentare trebuie să fie suficient de lung pentru a permite ca plita să poată fi scoasă prin partea de sus.



Pentru a fixa plita, folosiți consolele (A) livrate împreună cu aceasta. Potrivii consolele în găurile corespunzătoare indicate de săgeată și strângeți-le prin intermediul șuruburilor, în funcție de grosimea blatului de lucru (consultați figurile următoare).

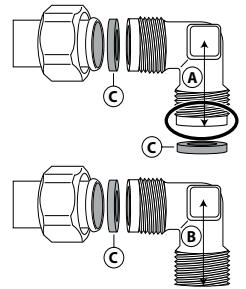


RACORDAREA LA GAZ

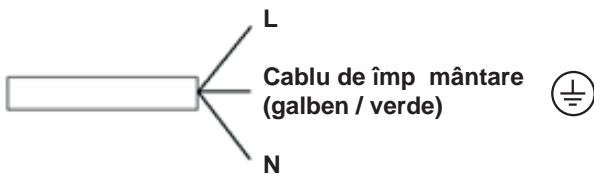
- Racordați cotul (A)* sau (B)* (incluse în pachet) la țeava principală de alimentare a plitei și intercalați șaiba (C) (inclusă în pachet), în conformitate cu standardul EN 549.

* Folosiți cotul (A) pentru Franța și cotul (B) pentru toate celelalte țări.

- După racordarea la alimentarea cu gaz, verificați etanșeitățile folosind apă cu săpun. Aprindeți arzătoarele și rotiți butoanele de la poziția de maxim la poziția de minim pentru a verifica stabilitatea flăcării.



CONECTARE ELECTRICA





VĂ MULȚUMIM CĂ AȚI ACHIZIȚIONAT UN PRODUS WHIRLPOOL

Pentru a beneficia de servicii complete de asistență, vă rugăm să vă înregistrați produsul pe www.whirlpool.eu/register.

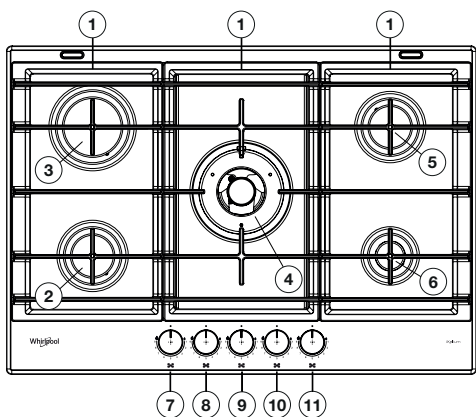


Înainte de a utiliza aparatul, citiți cu atenție instrucțiunile privind siguranța.

SCANĂȚI CODUL QR DE PE APARATUL DUMNEAVOASTRĂ PENTRU A OBȚINE MAI MULTE INFORMAȚII



DESCRIEREA PRODUSULUI



- Grătare detașabile
- Arzător semi-rapid
- Arzător rapid
- Arzător cu 2 inele de ardere
- Arzător semi-rapid
- Arzător auxiliar
- Buton de comandă pentru arzătorul semi-rapid
- Buton de comandă pentru arzătorul rapid
- Buton de comandă pentru arzătorul cu 2 inele de ardere
- Buton de comandă pentru arzătorul semi-rapid
- Buton de comandă pentru arzătorul auxiliar

Simboluri

Cerc de culoare ● Robinet închis închisă

Flacără mare ☹ Deschidere maximă/debit maxim și aprindere electrică

Flacără mică ☺ Deschidere minimă sau debit redus



UTILIZAREA ZILNICĂ

UTILIZAREA PLITEI

⚠ Aveți grijă ca flacăra arzătorului să nu se extindă dincolo de marginea vasului.

IMPORTANT: când plita este în uz, întreaga zonă a plitei se poate înfierbânta.

- Pentru a aprinde un arzător, rotiți butonul corespunzător în sens anti-orar până când ajunge în poziția pentru flacără maximă.
- Apăsăți butonul spre panoul de comandă pentru a aprinde arzătorul.
- După aprinderea arzătorului, continuați să țineți apăsat butonul timp de aproximativ 5-10 secunde pentru a permite funcționarea corectă a dispozitivului.
- Acest dispozitiv de siguranță cu care este prevăzut arzătorul va întrerupe alimentarea cu gaz a arzătorului în cazul în care flacăra se stinge accidental (din cauza unor curenți de aer, a întreruperii furnizării gazelor, a vărsării de lichide etc.).
- Butonul nu trebuie ținut apăsat mai mult de 15 sec. Dacă după trecerea acestui interval arzătorul nu rămâne aprins, așteptați cel puțin un minut înainte de a încerca să-l aprindeți din nou.

NOTĂ: în cazul în care condițiile locale specifice de distribuire a gazelor fac ca aprinderea arzătorului să fie dificilă, este indicat să repetați operația cu butonul rotit la poziția pentru flacără mică.

Arzătorul se poate stinge când butonul este eliberat. Acest lucru înseamnă că dispozitivul de siguranță nu s-a încălzit suficient. În această situație, repetați operațiile descrise mai sus.

Dacă flacăra arzătorului se stinge accidental, opriți comanda arzătorului și nu încercați să o aprindeți timp de cel puțin 1 minut.

SFATURI PRACTICE PENTRU UTILIZAREA ARZĂTOARELOR

Această plită are arzătoare cu diametre diferite. Pentru a obține rezultate optime la folosirea arzătoarelor, vă rugăm să urmați aceste reguli:

- utilizați oale și cratițe cu diametrul bazei egal sau puțin mai mare decât diametrul arzătoarelor (consultați tabelul din dreapta);
- utilizați numai oale și cratițe cu baza plată;
- folosiți cantitatea corectă de apă când gătiți alimentele și țineți oala acoperită;
- aveți grijă ca vasele de gătit așezate pe grătare să nu iasă în afara marginilor plitei;
- în cazul vaselor cu bază convexă (wok), folosiți grătarul-suport care nu este furnizat împreună cu plita, care trebuie plasat numai pe arzătorul cu inele de ardere multiple;
- evitați ciocnirile accidentale cu cratițe, grile sau alte echipamente de bucătărie;
- NU lăsați grătare goale pe focul aprins pentru mai mult de 5 minute.

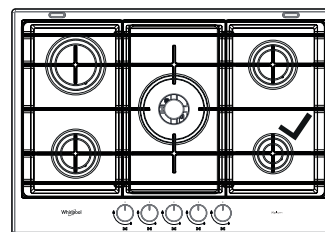
IMPORTANT: utilizarea necorespunzătoare a grătarelor poate duce la deteriorarea plitei: nu așezați grătarele cu susul în jos și nu le târați pe suprafața plitei.

ARZĂTOR	Ø OALĂ
2 inele de ardere	De la 24 la 26 cm
Rapid	De la 24 la 26 cm
Semi-rapid	De la 16 la 22 cm
Auxiliar	De la 8 la 14 cm

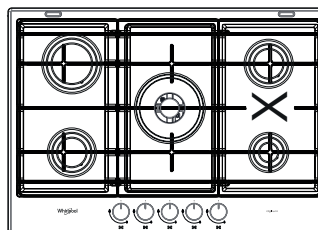
Nu utilizați:

- Tigăi din fontă, plăci de piatră pentru gătit, oale sau cratițe din teracotă.
- Difuzoare de căldură, de tipul plaselor metalice sau de alte tipuri.
- Două arzătoare în același timp pentru un singur vas (de ex. o oală de fiert pește).

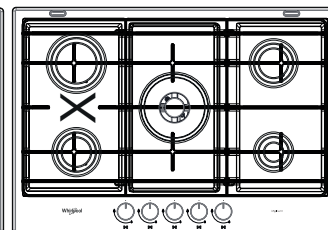
POZIȚIONAREA CORECTĂ A GRIELOR



OK



NO



NO

ADAPTAREA PENTRU DIFERITE TIPURI DE GAZ

⚠ Această operație trebuie să fie efectuată de un tehnician calificat.

Dacă aparatul trebuie să funcționeze cu un tip de gaz diferit de cel indicat pe plăcuța cu date tehnice și pe eticheta informativă de pe partea superioară a plitei, schimbați injectoarele. Înlăturați eticheta informativă și păstrați-o împreună cu manualul de instrucțiuni.

Folosiți regulatoare de presiune potrivite pentru presiunea gazului indicată în Instrucțiuni.

- Injectorul de gaz trebuie schimbat de Serviciul de asistență tehnică sau de un tehnician calificat.
- Injectorul care nu este furnizat împreună cu aparatul trebuie comandat de la Serviciul de asistență tehnică.
- Reglați poziția de minim a robinetelor.

NOTĂ: când se folosește gaz petrolier lichefiat (G30/G31), șurubul pentru reglarea debitului minim de gaz trebuie strâns cât de mult posibil.

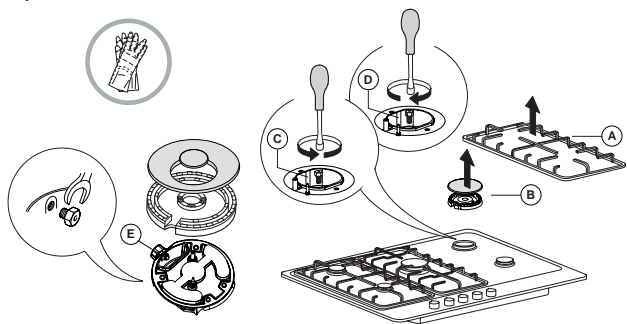
IMPORTANT: dacă aveți dificultăți când rotiți butoanele arzătoarelor, vă rugăm să contactați Serviciul de asistență tehnică pentru înlocuirea robinetului arzătorului, dacă se constată că este defect.

IMPORTANT: când se folosește alimentarea cu gaz de la butelie, butelia sau recipientul de gaz trebuie să fie așezate în mod adecvat (orientare verticală).

ÎNLOCUIREA INJECTOARELOR (consultați tabelul de injectoare din Instrucțiuni privind siguranța)

⚠ Această operație trebuie să fie efectuată de un tehnician calificat.

- Scoateți grătarele (A).
- Extrageți arzătoarele (B).
- Folosind o cheie tubulară de dimensiuni corespunzătoare, deșurubați injectorul (C) care trebuie înlocuit.
- Înlocuiți-l cu injectorul potrivit pentru noul tip de gaz.
- Montați la loc injectorul în (D).
- Dacă aveți un arzător cu coroană multiplă, folosiți o cheie pentru a înlocui injectorul (E).



Înainte de a instala plita, nu uitați să montați plăcuța cu datele privind calibrarea gazului, livrată împreună cu injectoarele, astfel încât să acopere informațiile existente referitoare la calibrarea gazului.

REGLAREA POZIȚIEI DE MINIM A ROBINETELOR

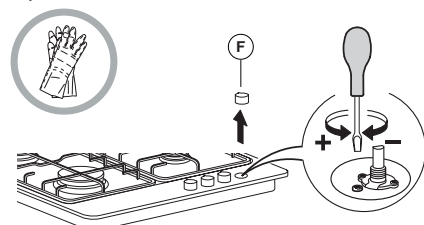
⚠ Această operație trebuie să fie efectuată de un tehnician calificat.

Reglajul trebuie efectuat cu robinetul în poziția de minim de gaz (flacără mică). Aerul primar al arzătoarelor nu trebuie să fie reglat.

Pentru a vă asigura că poziția de minim este corect reglată, scoateți butonul și procedați după cum urmează:

- strângeți șurubul pentru a reduce înălțimea flăcării (-);
- slăbiți șurubul pentru a mări înălțimea flăcării (+).

După aceasta, aprindeți arzătoarele și rotiți butoanele de la poziția de maxim la poziția de minim pentru a verifica stabilitatea flăcării.




După terminarea operației de reglare, resigilați folosind ceară sau un material echivalent.

TABELUL DE GĂTIRE

NIVEL	METODĂ/TIP DE PREPARARE (RECOMANDAT PENTRU)	CÂTEVA SFATURI PENTRU GĂTIT
1-2	MENȚINERE LA CALD	Ideală pentru a înmuia untul, topirea delicată a ciocolatei în baie marie, decongelarea unei porții mici de alimente, obținerea unei texturi cremoase pentru rizoto.
	PREPARARE DELICATĂ	
3-4	FIERBERE LA FOC MIC	Ideală pentru rețete cu durată lungă de preparare (orez, sosuri, friptură, pește) cu lichide (apă, vin, bulion) și pentru obținerea unei texturi cremoase a pastelor, menținând fierberea la foc mic.
	FIERBERE ÎNĂBUȘITĂ	
5-6	FRIGERE	Ideală pentru a sota, a fierbe înăbușit legume, a găti pe perioade mai lungi de timp, a preîncălzi accesorii, a obține o textură cremoasă a alimentelor.
	PRĂJIRE	
7-8	PRĂJIRE LA FOC IUTE	Ideală pentru a rumeni, a căli, a fierbe rapid lichidele, a prăji produse congelate, a frige grătar carne și pește, a menține fierberea.
	FRIGERE LA GRĂTAR	
9	ÎNCĂLZIRE RAPIDĂ	Ideală pentru creșterea rapidă a temperaturii alimentelor sau pentru încălzirea lichidelor (apă).

CURĂȚAREA ȘI ÎNTREȚINEREA

 Deconectați de la electricitate înainte de a efectua orice operație de întreținere.

CURĂȚAREA SUPRAFEȚEI PLITEI

- Toate piesele emailate și de sticlă trebuie curățate cu o soluție de apă caldă și detergent neutru.
- Suprafețele din oțel inoxidabil se pot păta din cauza apei calcaroase sau a detergentilor agresivi, dacă rămân în contact cu acestea prea mult timp. Resturile de mâncare căzute pe suprafață (apă, sos, cafea etc.) trebuie șterse înainte de a se usca.
- Curățați cu apă caldă și detergent neutru, apoi uscați cu o cârpă moale sau cu piele de câprioară. Îndepărtați resturile arse de mâncare cu ajutorul unor produse de curățare speciale pentru suprafețe din oțel inoxidabil.

NOTĂ: curățați oțelul inoxidabil numai cu o cârpă sau un burete moale.

- Nu utilizați produse abrazive sau corozive, produse pe bază de clor sau bureți de sârmă pentru vase.
- Nu utilizați aparate de curățat cu aburi.
- Nu folosiți produse inflamabile.
- Nu lăsați pe plită substanțe acide sau alcaline, cum ar fi oțet, muștar, sare, zahăr sau suc de lămâie.

REMEDIEREA DEFECȚIUNILOR

Dacă plita nu funcționează corect, înainte de a apela la Serviciul de asistență tehnică, consultați Ghidul de remediere a defecțiunilor pentru a stabili care este problema.

1. Arzătorul nu se aprinde sau flacăra nu este uniformă

Verificați următoarele:

- Alimentarea electrică sau cu gaz să nu fie oprită și, mai ales, robinetul de alimentare cu gaz să fie deschis.
- Butelia de gaz (gaz lichid) să nu fie goală.
- Orificiile arzătorului să nu fie înfundate.
- Capătul fișei să nu fie murdar.
- Toate piesele arzătorului să fie poziționate corect.
- Să nu existe curenți de aer în apropierea plitei.

2. Arzătorul nu rămâne aprins

Verificați următoarele:

- La aprinderea arzătorului, butonul să fie ținut apăsat destul timp, astfel încât să se activeze dispozitivul de protecție.
- Orificiile arzătorului să nu fie înfundate lângă termocuplu.
- Capătul dispozitivului de siguranță să nu fie murdar.
- Reglarea debitului minim de gaz să fie corectă (consultați paragraful respectiv).

CURĂȚAREA COMPONENTELOR PLITEI

- Curățați sticla și piesele emailate numai cu o cârpă sau un burete moale.
- Grătarele, capacele arzătoarelor și arzătoarele pot fi scoase pentru a fi curățate.
- Curățați-le manual, cu apă caldă și detergent neabraziv, înlăturând cu grijă toate resturile de mâncare și verificând ca niciun orificiu al arzătorului să nu fie înfundat.
- Clățiți și uscați.
- **Grătarele din fontă pot fi curățate în mașina de spălat vase. Eliminați toate resturile alimentare arse înainte de a introduce grătarele în cel mai de jos coș al mașinii de spălat vase.**
- Puneți la loc arzătoarele și capacele arzătoarelor, în mod corect, în locașurile respective.
- Când puneți la loc grătarele, asigurați-vă că zona pe care se așează oalele este aliniată cu arzătorul.
- Modelele echipate cu fișe pentru aprindere electrică și cu dispozitiv de siguranță necesită o curățare atentă a capătului fișei pentru a asigura funcționarea corectă. Verificați frecvent aceste piese și, dacă este necesar, curățați-le cu o cârpă umedă. Resturile arse de mâncare trebuie îndepărtate cu o scobitoare sau cu un ac.

NOTĂ: pentru a evita deteriorarea dispozitivului de aprindere electrică, nu-l folosiți atunci când arzătoarele nu sunt în locașurile lor.

3. Recipientele nu sunt stabile

Verificați următoarele:

- Fundul recipientului să fie perfect plat.
- Recipientul să fie centrat pe arzător.
- Grătarele să nu fie schimbate între ele sau poziționate incorect.

Dacă problema persistă și după verificările de mai sus, luați legătura cu cel mai apropiat Serviciu de asistență tehnică.

SERVICIUL DE ASISTENȚĂ TEHNICĂ POST-VÂNZARE

Pentru a beneficia de servicii complete de asistență, vă rugăm să vă înregistrați produsul pe www.whirlpool.eu/register.

ÎNAINTEDE A CONTACTA SERVICIUL DE ASISTENȚĂ TEHNICĂ POSTVÂNZARE:

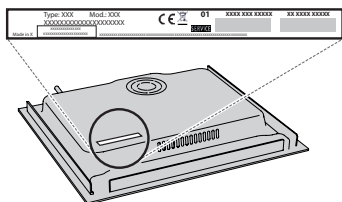
1. Încercați să rezolvați singuri problema, cu ajutorul recomandărilor din **GHIDUL DE REMEDIERE A DEFECȚIUNILOR**.
2. Opriti și puneți din nou în funcțiune aparatul pentru a verifica dacă defecțiunea persistă.

DACĂ PROBLEMA PERSISTĂ CHIAR ȘI DUPĂ CONTROALELE MENȚIONATE, CONTACTAȚI CEL MAI APROPIAT SERVICIU DE ASISTENȚĂ TEHNICĂ POST-VÂNZARE.

Pentru asistență, sunați la numărul de telefon specificat pe certificatul de garanție sau urmați instrucțiunile de pe site-ul web www.whirlpool.eu.

Atunci când contactați serviciul de asistență tehnică post-vânzare, specificați întotdeauna:

- o scurtă descriere a defecțiunii;
- tipul și modelul exact al aparatului;



- numărul de serie (numărul de după cuvântul SN de pe plăcuța cu date tehnice, amplasată sub aparat). De asemenea, numărul de serie este indicat în documentație;



Mod. XXX XXX

Ind.C. XXXX XXXX XXXX

SN: XXXX XXXX XXXX

Prod.N. XXXX XXXX XXXX

- adresa dumneavoastră completă;
- numărul dumneavoastră de telefon

Dacă sunt necesare orice fel de reparații, vă rugăm să contactați un serviciu de asistență tehnică post-vânzare autorizat (pentru a avea garanția că se folosesc piese de schimb originale și că reparațiile vor fi executate corect).

Politice, documentația standard și informații suplimentare despre produs pot fi găsite:

- Utilizând codul QR de pe aparat;
- Vizitând site-ul nostru web docs.whirlpool.eu/docs;
- Ca alternativă, **contactați serviciul nostru de asistență tehnică post-vânzare** (Consultați numărul de telefon din certificatul de garanție). Când contactați serviciul nostru de asistență tehnică post-vânzare, vă rugăm să precizați codurile specificate pe plăcuța cu date de identificare a produsului dumneavoastră.



⚠ Αυτές οι οδηγίες ισχύουν εάν εμφανίζεται στη συσκευή το σύμβολο της χώρας. Εάν το σύμβολο δεν εμφανίζεται στη συσκευή, πρέπει να ανατρέξετε στις τεχνικές οδηγίες που θα σας παρέχουν τις απαραίτητες οδηγίες για την τροποποίηση της συσκευής στην κατάσταση που απαιτείται για χρήση στη χώρα σας.

⚠ ΠΡΟΣΟΧΗ: Η χρήση της συσκευής μαγειρέματος με αέριο έχει ως αποτέλεσμα την παραγωγή θερμότητας, υγρασίας και προϊόντων καύσης στο χώρο όπου είναι εγκατεστημένη. Βεβαιωθείτε ότι η κουζίνα αερίζεται καλά ειδικά όταν η συσκευή βρίσκεται σε λειτουργία: διατηρείτε τις οπές εξαερισμού ανοιχτές ή εγκαταστήστε μια μηχανική συσκευή εξαερισμού (μηχανικός απορροφητήρας). Η παρατεταμένη εντατική χρήση της συσκευής μπορεί να απαιτεί περισσότερο εξαερισμό, όπως π.χ. το άνοιγμα του παραθύρου, ή πιο αποτελεσματικό εξαερισμό, αυξάνοντας το επίπεδο μηχανικού αερισμού (όταν υπάρχει).

⚠ Η μη ακριβής τήρηση των πληροφοριών σε αυτό το εγχειρίδιο μπορεί να προκαλέσει πυρκαγιά ή έκρηξη, με αποτέλεσμα υλικές ζημιές ή τραυματισμό. Πριν χρησιμοποιήσετε τη συσκευή, διαβάστε αυτές τις οδηγίες για την ασφάλεια. Φυλάξτε τις οδηγίες σε κοντινό σημείο για μελλοντική αναφορά.

Αυτές οι οδηγίες και η συσκευή περιλαμβάνουν σημαντικές προειδοποιήσεις σχετικά με την ασφάλεια, τις οποίες πρέπει να τηρείτε σε κάθε περίπτωση. Ο κατασκευαστής δεν φέρει καμία ευθύνη για τη μη τήρηση αυτών των οδηγιών ασφαλείας, για ακατάλληλη χρήση της συσκευής ή λανθασμένη ρύθμιση των χειριστηρίων.

⚠ ΠΡΟΕΙΔΟΠΟΙΗΣΗ: Αν η επιφάνεια της εστίας είναι ραγισμένη, μην χρησιμοποιείτε τη συσκευή – κίνδυνος ηλεκτροπληξίας.

⚠ ΠΡΟΕΙΔΟΠΟΙΗΣΗ: Κίνδυνος πυρκαγιάς: μην αποθηκεύετε στοιχεία στις επιφάνειες μαγειρέματος.

⚠ ΠΡΟΣΟΧΗ: Η διαδικασία μαγειρέματος πρέπει να παρακολουθείται. Μια σύντομη διαδικασία μαγειρέματος πρέπει να παρακολουθείται συνεχώς.

⚠ ΠΡΟΕΙΔΟΠΟΙΗΣΗ: Είναι επικίνδυνο να μαγειρεύετε με λίπη ή λάδι σε εστία χωρίς επιτήρηση - κίνδυνος πυρκαγιάς. Μην προσπαθείτε ΠΟΤΕ να σβήσετε μια φωτιά με νερό, αλλά σβήστε τη συσκευή και μετά καλύψτε τη φλόγα, π.χ. με ένα καπάκι ή μια πυρίμαχη κουβέρτα.

⚠ Μην χρησιμοποιείτε τη μονάδα εστιών ως επιφάνεια εργασίας. Διατηρείται τα ρούχα ή άλλα εύφλεκτα υλικά μακριά από τη συσκευή, έως ότου όλα τα εξαρτήματα να έχουν κρυώσει εντελώς - κίνδυνος πυρκαγιάς.

⚠ Τα πολύ μικρά παιδιά (0-3 ετών) πρέπει να διατηρούνται μακριά από τη συσκευή. Κρατήστε τα μικρά παιδιά (3-8 ετών) μακριά από τη συσκευή εκτός εάν επιτηρούνται διαρκώς. Η συσκευή μπορεί να χρησιμοποιηθεί από παιδιά ηλικίας 8 ετών και άνω ή άτομα με μειωμένες σωματικές, αισθητηριακές ή διανοητικές ικανότητες ή με έλλειψη εμπειρίας και γνώσης της συσκευής, μόνο εφόσον βρίσκονται υπό επιτήρηση ή έχουν λάβει οδηγίες σχετικά με την ασφαλή χρήση της συσκευής και κατανοούν τους

κινδύνους που συνεπάγεται. Τα παιδιά απαγορεύεται να παίζουν με τη συσκευή. Ο καθαρισμός και η συντήρηση από τον χρήστη δεν πρέπει να εκτελούνται από παιδιά χωρίς επιτήρηση.

⚠ ΠΡΟΣΟΧΗ: Σε περίπτωση θραύσης της γυάλινης πλάκας: απενεργοποιήστε αμέσως όλες τις εστίες και οποιαδήποτε ηλεκτρική αντίσταση και απομονώστε τη συσκευή από την παροχή ρεύματος, μην αγγίζετε την επιφάνεια της συσκευής, μην χρησιμοποιείτε τη συσκευή. Το γυάλινο καπάκι μπορεί να σπάσει αν ζεσταθεί. Σβήστε όλες τις εστίες και την ηλεκτρική πλάκα πριν κλείσετε το καπάκι. Μην κλείνετε το καπάκι όταν η εστία είναι αναμμένη.

⚠ ΠΡΟΕΙΔΟΠΟΙΗΣΗ: Η συσκευή και τα προσβάσιμα εξαρτήματά της μπορεί να ζεσταθούν κατά τη διάρκεια της χρήσης. Πρέπει να είστε προσεκτικοί, ώστε να αποφεύγετε τυχόν επαφή με τα θερμαντικά στοιχεία. Τα παιδιά κάτω των 8 ετών δεν πρέπει να πλησιάζουν τη συσκευή, εκτός εάν επιτηρούνται διαρκώς.

⚠ Το φαγητό δεν πρέπει να μείνει μέσα ή πάνω στο προϊόν για περισσότερο από μία ώρα πριν ή μετά το μαγείρεμα.

ΕΠΙΤΡΕΠΟΜΕΝΗ ΧΡΗΣΗ

⚠ ΠΡΟΣΟΧΗ: Η συσκευή δεν προορίζεται για χρήση σε συνδυασμό με εξωτερικό χρονοδιακόπτη ή ξεχωριστό σύστημα απομακρυσμένου ελέγχου.

⚠ Η συσκευή αυτή έχει σχεδιαστεί για οικιακή χρήση καθώς και για παρόμοιες χρήσεις όπως χώροι κουζίνας προσωπικού σε καταστήματα, γραφεία και σε άλλους χώρους εργασίας, αγροκτήματα, από πελάτες σε ξενοδοχεία, μοτέλ, bed & breakfast και άλλους χώρους κατοικίας.

⚠ Δεν επιτρέπεται οποιαδήποτε άλλη χρήση (π.χ. θέρμανση δωματίων).

⚠ Αυτή η συσκευή δεν προορίζεται για επαγγελματική χρήση. Μην χρησιμοποιείτε τη συσκευή σε εξωτερικό χώρο.

⚠ Χρησιμοποιείτε κατσαρόλες και τηγάνια με πλάτος βάσης ίσο ή ελαφρώς μεγαλύτερο (ανατρέξτε στον ειδικό πίνακα). Βεβαιωθείτε ότι οι κατσαρόλες στις σχάρες δεν προεξέχουν από το άκρο της μονάδας εστιών.

⚠ Η ακατάλληλη χρήση των σχαρών μπορεί να προκαλέσει ζημιά στη μονάδα εστιών: μην τοποθετείτε τις σχάρες ανάποδα και μην τις σέρνετε επάνω στη μονάδα εστιών.

Η φλόγα του καυστήρα δεν πρέπει να εκτείνεται μετά το άκρο του σκεύους. Εάν η επιφάνεια της εστίας είναι από γυάλινο υλικό, μην χρησιμοποιείτε ταψιά από χυτοσίδηρο (μαντέμι), φυσική πέτρα, πήλινα σκεύη και τηγάνια.

Μην χρησιμοποιείτε: Αντικείμενα που προκαλούν διάχυση της θερμότητας όπως μεταλλικά πλέγματα ή άλλου τύπου. Δύο καυστήρες ταυτόχρονα για ένα σκεύος (π.χ. κατσαρόλα για ψάρι).

Εάν η ανάφλεξη του καυστήρα είναι δύσκολη λόγω ειδικών τοπικών συνθηκών στην παροχή αερίου, συνιστάται να στρίψετε το κουμπί στη ρύθμιση μικρής φλόγας και να επαναλάβετε τη διαδικασία.

Σε περίπτωση εγκατάστασης απορροφητήρα επάνω από τη μονάδα εστιών, ανατρέξτε στις οδηγίες του απορροφητήρα για τη σωστή απόσταση.

Τα προστατευτικά ελαστικά πόδια στις σχάρες μπορεί να προκαλέσουν τον πνιγμό μικρών παιδιών. Αφού αφαιρέσετε τις σχάρες, βεβαιωθείτε ότι όλα τα ποδαράκια είναι σωστά τοποθετημένα.

ΕΓΚΑΤΑΣΤΑΣΗ

⚠ Ο χειρισμός και η εγκατάσταση της συσκευής πρέπει να γίνονται από δύο ή περισσότερα άτομα - κίνδυνος τραυματισμού. Χρησιμοποιείτε γάντια προστασίας για να αφαιρέσετε τη συσκευασία και να κάνετε την εγκατάσταση - κίνδυνος κοψίματος.

⚠ Οι συνδέσεις ηλεκτρικού ρεύματος και αερίου πρέπει να συμμορφώνονται με τον τοπικό κανονισμό.

⚠ Η εγκατάσταση, συμπεριλαμβανομένης της παροχής νερού (εάν υπάρχει), τις ηλεκτρικές συνδέσεις και τις επισκευές, πρέπει να πραγματοποιούνται από τεχνικά εξειδικευμένο προσωπικό. Μην επισκευάζετε και μην αντικαθιστάτε κανένα εξάρτημα της συσκευής, εκτός εάν αναφέρεται ρητά στο εγχειρίδιο χρήσης. Κρατήστε τα παιδιά μακριά από το χώρο εγκατάστασης. Μετά από την αποσυσκευασία της συσκευής, βεβαιωθείτε ότι δεν έχει προκληθεί ζημιά σε αυτήν κατά τη μεταφορά. Σε περίπτωση προβλημάτων, επικοινωνήστε με τον αντιπρόσωπο ή με το τμήμα τεχνικής υποστήριξης πελατών. Μετά την εγκατάσταση, τα υλικά συσκευασίας (πλαστικά, φελιζόλ, κ.λπ.) πρέπει να φυλάσσονται μακριά από τα παιδιά - κίνδυνος ασφυξίας. Η συσκευή πρέπει να αποσυνδέεται από την ηλεκτρική τροφοδοσία πριν από κάθε εργασία εγκατάστασης - κίνδυνος ηλεκτροπληξίας. Κατά την εγκατάσταση, βεβαιωθείτε ότι δεν έχει προκληθεί ζημιά στο καλώδιο τροφοδοσίας από τη συσκευή - κίνδυνος πυρκαγιάς ή ηλεκτροπληξίας. Ενεργοποιήστε τη συσκευή μόνο εφόσον ολοκληρωθεί η εγκατάσταση.

⚠ ΠΡΟΕΙΔΟΠΟΙΗΣΗ: Η τροποποίηση της συσκευής και του τρόπου εγκατάστασης της είναι απαραίτητα προκειμένου η συσκευή να χρησιμοποιείται σωστά και με ασφάλεια σε όλες τις επιπλέον χώρες.

⚠ Χρησιμοποιήστε ρυθμιστές πίεσης κατάλληλους για την πίεση αερίου που αναφέρεται στις οδηγίες.

⚠ Ο χώρος πρέπει να διαθέτει σύστημα εξαγωγής αέρα που θα αποβάλλει τους καπνούς καύσης.

⚠ Ο χώρος πρέπει επίσης να επιτρέπει την κατάλληλη κυκλοφορία του αέρα, καθώς ο αέρας είναι απαραίτητος για την κανονική καύση. Η ροή του αέρα δεν πρέπει να είναι λιγότερη από 2 m³/h για kW εγκατεστημένης ισχύος.

⚠ Το σύστημα κυκλοφορίας αέρα μπορεί να λαμβάνει αέρα απευθείας από το εξωτερικό μέσω σωλήνα με εσωτερική διατομή τουλάχιστον 100 cm², το άνοιγμα δεν πρέπει να υπόκειται σε κανενός είδους έμφραξη.

⚠ Το σύστημα μπορεί επίσης να παρέχει τον αέρα που απαιτείται για καύση έμμεσα, δηλ. από γειτονικούς χώρους εξοπλισμένους με σωλήνες κυκλοφορίας αέρα όπως περιγράφεται παραπάνω. Ωστόσο, αυτοί οι χώροι δεν πρέπει να είναι κοινόχρηστα δωμάτια, υπνοδωμάτια ή δωμάτια που ενδέχεται να παρουσιάζουν κίνδυνο πυρκαγιάς.

⚠ Το LPG βυθίζεται στο πάτωμα καθώς είναι βαρύτερο από τον αέρα. Συνεπώς, τα δωμάτια που περιέχουν φιάλες LPG πρέπει να είναι εφοδιασμένα με εξαεριστήρες για να επιτρέπουν τη διαφυγή αερίου σε περίπτωση διαρροής. Ως εκ τούτου, οι φιάλες LPG, είτε

εντελώς γεμάτες ή εν μέρει γεμάτες, δεν πρέπει να εγκαθίστανται ή να αποθηκεύονται σε χώρους ή αποθηκευτικούς χώρους που βρίσκονται κάτω από το έδαφος (κελάρια κ.λπ.). Συνιστάται να διατηρείτε μόνο τη φιάλη που χρησιμοποιείτε στο χώρο, τοποθετημένη έτσι ώστε να μην υπόκειται σε θερμότητα που παράγεται από εξωτερικές πηγές (φούρνοι, τζάκια, θερμάστρες κ.λπ.) που θα μπορούσαν να αυξήσουν τη θερμοκρασία της φιάλης πάνω από τους 50 °C.

Εάν έχετε δυσκολία στην περιστροφή των διακοπών των καυστήρων, παρακαλούμε επικοινωνήστε με το σέρβις για την αντικατάσταση της στρόφιγγας του καυστήρα εάν βρεθεί ότι είναι ελαττωματική.

Τα ανοίγματα που χρησιμοποιούνται για εξαερισμό και για διάχυση της θερμότητας δεν πρέπει ποτέ να καλύπτονται.

⚠ Εκτελέστε όλες τις εργασίες κοπής του επίπλου πριν να τοποθετήσετε τη συσκευή στο περίβλημα και αφαιρέστε προσεκτικά όλα τα ροκανίδια και τα πριονίδια.

⚠ Αν η συσκευή δεν εγκατασταθεί πάνω σε ένα φούρνο, πρέπει να τοποθετηθεί ένα διαχωριστικό πάνελ (δεν περιλαμβάνεται) στο χώρο κάτω από τη συσκευή.

ΣΥΝΔΕΣΗ ΑΕΡΙΟΥ

⚠ ΠΡΟΕΙΔΟΠΟΙΗΣΗ: Πριν από την εγκατάσταση, βεβαιωθείτε ότι οι τοπικές συνθήκες διανομής (τύπος αερίου και πίεση αερίου) και η ρύθμιση της συσκευής είναι συμβατά.

⚠ Βεβαιωθείτε ότι η πίεση παροχής αερίου είναι σύμφωνη με τις τιμές που υποδεικνύονται στον Πίνακα ("Χαρακτηριστικά καυστήρα και ακροφυσίου").

⚠ ΠΡΟΕΙΔΟΠΟΙΗΣΗ: Οι συνθήκες ρύθμισης αυτής της συσκευής αναγράφονται στην ετικέτα (ή στην πινακίδα στοιχείων).

⚠ ΠΡΟΕΙΔΟΠΟΙΗΣΗ: Η συσκευή αυτή δεν είναι συνδεδεμένη σε σύστημα εξαγωγής προϊόντων καύσης. Πρέπει να εγκατασταθεί και να συνδεθεί σύμφωνα με τους ισχύοντες κανονισμούς εγκατάστασης. Ιδιαίτερη προσοχή θα πρέπει να δοθεί στις απαιτήσεις σχετικά με τον αερισμό.

⚠ Αν η συσκευή συνδέεται με υγραέριο, πρέπει να σφίξετε τη βίδα ρύθμισης όσο το δυνατόν πιο σφιχτά.

⚠ ΣΗΜΑΝΤΙΚΟ: Εάν χρησιμοποιείται φιάλη αερίου, η δοχείο αερίου πρέπει να στηρίζεται σωστά (κάθετος προσανατολισμός).

⚠ ΠΡΟΕΙΔΟΠΟΙΗΣΗ: Αυτή η λειτουργία πρέπει να διεξαχθεί από εξειδικευμένο τεχνικό.

⚠ Χρησιμοποιήστε μόνο εύκαμπτο ή άκαμπτο μεταλλικό σωλήνα για τη σύνδεση αερίου.

⚠ Σύνδεση με άκαμπτο σωλήνα (από χαλκό ή χάλυβα) Η σύνδεση με το σύστημα αερίου πρέπει να γίνεται με τέτοιο τρόπο ώστε να μην υπάρχει κανενός είδους πίεση για τη συσκευή. Υπάρχει ένα ρυθμιζόμενο εξάρτημα σωλήνα σχήματος L στη γραμμή τροφοδοσίας της συσκευής και αυτό είναι εφοδιασμένο με μια τσιμούχα προκειμένου να αποφεύγονται οι διαρροές. Η τσιμούχα πρέπει πάντα να αντικαθίσταται μετά την περιστροφή του σωλήνα (η τσιμούχα παρέχεται με τη συσκευή). Το εξάρτημα του σωλήνα τροφοδοσίας αερίου είναι ένα κυλινδρικό αρσενικό εξάρτημα με σπείρωμα 1/2 αερίου.

⚠ Σύνδεση εύκαμπτου αγωγού από ανοξείδωτο χάλυβα σε σύνδεσμο με σπείρωμα. Το εξάρτημα του σωλήνα τροφοδοσίας αερίου είναι ένα κυλινδρικό αρσενικό εξάρτημα με 1/2 σπείρωμα αερίου. Οι σωλήνες αυτοί πρέπει να εγκατασταθούν έτσι ώστε να μην υπερβαίνουν ποτέ τα 2000 mm κατά την πλήρη επέκτασή τους. Μόλις ολοκληρωθεί η σύνδεση, βεβαιωθείτε ότι ο εύκαμπτος μεταλλικός σωλήνας δεν έρχεται σε επαφή με κινούμενα μέρη και δεν συμπιέζεται. Χρησιμοποιείτε μόνο σωλήνες και τσιμούχες που συμμορφώνονται με τους ισχύοντες εθνικούς κανονισμούς.

⚠ ΣΗΜΑΝΤΙΚΟ: Εάν χρησιμοποιηθεί σωλήνας από ανοξείδωτο χάλυβα, πρέπει να τοποθετηθεί με τρόπο που να μην αγγίζει οποιοδήποτε κινούμενο σημείο της επίπλωσης. Πρέπει να δρομολογηθεί μέσω περιοχής χωρίς εμπόδια ώστε να μπορεί να ελεγχθεί σε ολόκληρο το μήκος του.

⚠ Η συσκευή πρέπει να συνδέεται στην κύρια τροφοδοσία αερίου ή στην φιάλη αερίου σύμφωνα με τους ισχύοντες εθνικούς κανονισμούς. Πριν κάνετε τη σύνδεση, βεβαιωθείτε ότι η συσκευή είναι συμβατή με την παροχή αερίου που θέλετε να χρησιμοποιήσετε. Εάν δεν συμβαίνει αυτό, ακολουθήστε τις οδηγίες που αναφέρονται στην παράγραφο «Προσαρμογή σε διαφορετικούς τύπους αερίου».

⚠ Μετά τη σύνδεση στην παροχή αερίου, ελέγξτε για διαρροές χρησιμοποιώντας διάλυμα σαπουνιού σε νερό. Ανάψτε τους καυστήρες και περιστρέψτε τους διακόπτες από τη θέση μέγιστης ρύθμισης 1* στη θέση ελάχιστης ρύθμισης 2*, για να ελέγξετε τη σταθερότητα της φλόγας.

ΠΡΟΣΑΡΜΟΓΗ ΣΕ ΔΙΑΦΟΡΕΤΙΚΟΥΣ ΤΥΠΟΥΣ ΑΕΡΙΟΥ
(Η εργασία αυτή πρέπει να πραγματοποιείται από εξειδικευμένο τεχνικό).

⚠ Προκειμένου να προσαρμόσετε τη συσκευή σε έναν τύπο αερίου διαφορετικό από τον τύπο για τον οποίο κατασκευάστηκε (αναγράφεται στην ετικέτα διαβάθμισης), ακολουθήστε τα ειδικά βήματα που υποδεικνύονται με τα σχέδια τοποθέτησης.

ΗΛΕΚΤΡΙΚΕΣ ΠΡΟΕΙΔΟΠΟΙΗΣΕΙΣ

⚠ ΣΗΜΑΝΤΙΚΟ: Πληροφορίες σχετικά με την κατανάλωση ρεύματος και τάσης παρέχονται στην πινακίδα τεχνικών χαρακτηριστικών.

⚠ Πρέπει να είναι δυνατή η αποσύνδεση της συσκευής από την ηλεκτρική τροφοδοσία με αφαίρεση του φινιρίσματος εάν η πρίζα είναι προσβάσιμη ή με χρήση του πολυπολικού διακόπτη που έχει εγκατασταθεί πριν από την πρίζα σύμφωνα με τα εθνικά πρότυπα ηλεκτρικής ασφάλειας και η συσκευή πρέπει να διαθέτει γείωση με βάση τα εθνικά πρότυπα ασφαλείας.

⚠ Το καλώδιο τροφοδοσίας πρέπει να έχει επαρκές μήκος ώστε να είναι δυνατή η σύνδεση της εντοιχισμένης συσκευής στην πρίζα. Μην τραβάτε το καλώδιο τροφοδοσίας.

⚠ Μην χρησιμοποιείτε καλώδια προέκτασης (μπαλαντέζες), πολύπριζα ή προσαρμογείς. Μετά την

ολοκλήρωση της εγκατάστασης, δεν πρέπει να είναι δυνατή η πρόσβαση στα ηλεκτρικά εξαρτήματα. Μην χρησιμοποιείτε τη συσκευή όταν είστε βρεγμένοι ή με γυμνά πόδια. Μην χρησιμοποιήσετε τη συσκευή εάν έχει φθαρεί το ηλεκτρικό καλώδιο ή το φινιρίσμα, εάν δεν λειτουργεί κανονικά, εάν έχει πέσει ή εάν έχει υποστεί άλλη ζημιά.

⚠ Εάν το καλώδιο τροφοδοσίας έχει υποστεί ζημιά, πρέπει να αντικατασταθεί από τον κατασκευαστή, τον αντιπρόσωπο τεχνικής υποστήριξης ή άλλα καταρτισμένα άτομα, ώστε να αποφευχθούν τυχόν κίνδυνοι - κίνδυνος ηλεκτροπληξίας.


ΚΑΘΑΡΙΣΜΟΣ ΚΑΙ ΣΥΝΤΗΡΗΣΗ

⚠ ΠΡΟΕΙΔΟΠΟΙΗΣΗ: Πριν από οποιαδήποτε εργασία συντήρησης, βεβαιωθείτε ότι η συσκευή είναι σβηστή και αποσυνδεδεμένη από το δίκτυο τροφοδοσίας. Ποτέ μην χρησιμοποιείτε συσκευές καθαρισμού με ατμό - κίνδυνος ηλεκτροπληξίας.

⚠ Μην χρησιμοποιείτε αποξεστικά ή διαβρωτικά προϊόντα, καθαριστικά με βάση τη χλωρίνη ή συρμάτινα σφουγγαράκια.

⚠ Για να αποφύγετε τυχόν ζημιά στην ηλεκτρική ανάφλεξη, μην την χρησιμοποιείτε όταν οι καυστήρες δεν βρίσκονται στις υποδοχές τους.

ΑΠΟΡΡΙΨΗ ΥΛΙΚΩΝ ΣΥΣΚΕΥΑΣΙΑΣ


Τα υλικά της συσκευασίας είναι 100% ανακυκλώσιμα και φέρουν το σύμβολο της ανακύκλωσης .

Τα διάφορα μέρη της συσκευασίας πρέπει συνεπώς να απορρίπτονται με υπευθυνότητα και σε πλήρη συμμόρφωση με τους κανονισμούς της τοπικής δημοτικής αρχής όσον αφορά τη διάθεση αποβλήτων.

ΑΠΟΡΡΙΨΗ ΗΛΕΚΤΡΙΚΩΝ ΟΙΚΙΑΚΩΝ ΣΥΣΚΕΥΩΝ

Η συσκευή αυτή έχει κατασκευαστεί από ανακυκλώσιμα ή επαναχρησιμοποιήσιμα υλικά. Απορρίψτε σύμφωνα με τους κανονισμούς των τοπικών αρχών. Για περαιτέρω πληροφορίες σχετικά με την επεξεργασία, την ανάκτηση και την ανακύκλωση των ηλεκτρικών οικιακών συσκευών, επικοινωνήστε με τις αρμόδιες τοπικές αρχές, την υπηρεσία συλλογής οικιακών αποβλήτων ή το κατάστημα από όπου αγοράσατε αυτό το προϊόν. Αυτή η συσκευή επισημαίνεται σύμφωνα με την Ευρωπαϊκή Οδηγία 2012/19/ΕΕ, Απόβλητα Ηλεκτρικού και Ηλεκτρονικού Εξοπλισμού (ΑΗΗΕ) και με τους κανονισμούς 2013 για τα Απόβλητα Ηλεκτρικού και Ηλεκτρονικού Εξοπλισμού (όπως τροποποιήθηκε).

Εξασφαλίζοντας τη σωστή απόρριψη αυτού του προϊόντος, θα βοηθήσετε στην αποτροπή των πιθανών βλαβερών συνεπειών για το περιβάλλον και την ανθρώπινη υγεία.

Το σύμβολο  στο προϊόν ή στα συνοδευτικά έντυπα υποδεικνύει ότι πρέπει να αντιμετωπίζεται ως οικιακό απόρριμμα αλλά πρέπει να μεταφέρετε στο κατάλληλο κέντρο συλλογής για ανακύκλωση ηλεκτρονικού και ηλεκτρικού εξοπλισμού.

ΣΥΜΒΟΥΛΕΣ ΓΙΑ ΕΞΟΙΚΟΝΟΜΗΣΗ ΕΝΕΡΓΕΙΑΣ

Χρησιμοποιείτε καταρόλες και τηγάνια με διάμετρο βάσης ίση με τη διάμετρο της εστίας.

Χρησιμοποιήστε μόνο καταρόλες και τηγάνια με επίπεδη βάση.

Εάν είναι δυνατό, διατηρείτε τα σκεύη σκεπασμένα κατά το μαγείρεμα.

Η χρήση χύτρας ταχύτητας μειώνει ακόμη περισσότερο την κατανάλωση ενέργειας και το χρόνο μαγειρέματος.

ΔΗΛΩΣΗ ΣΥΜΜΟΡΦΩΣΗΣ

Η συσκευή αυτή πληροί τις απαιτήσεις οικολογικού σχεδιασμού του Ευρωπαϊκού κανονισμού 66/2014 και τον οικολογικό σχεδιασμό για σχετικά με την ενέργεια προϊόντα και ενεργειακές πληροφορίες (Τροποποίηση) (EE Exit) Κανονισμοί 2019, σύμφωνα με το Ευρωπαϊκό πρότυπο EN 30-2-1.

Τύπος χρησιμοποιούμενου αερίου	Τύπος καυστήρα	Ένδειξη ακροφυσίου	Ονομαστική θερμική ροή kW	Ονομαστική κατανάλωση	Μειωμένη θερμική ικανότητα kW	Πίεση αερίου mbar		
						ελαχ.	ονομ.	μέγ.
ΦΥΣΙΚΟ ΑΕΡΙΟ (Μεθάνιο) G20	Ταχύς (R)	128 B	3,00	286 λίτρα/ώρα	0,70	17	20	25
	Ημι-ταχύς (SR)	97	1,75	167 λίτρα/ώρα	0,40			
	Βοηθητικός (AUX)	78 A	1,00	95 λίτρα/ώρα	0,40			
	2 δακτυλίων φλόγας (DC)	141	4,00	381 λίτρα/ώρα	2,20			
ΥΓΡΑΕΡΙΟ (Βουτάνιο) G30	Ταχύς (R)	87	3,00	218 γρ./ώρα	0,70	20	28-30	35
	Ημι-ταχύς (SR)	67	1,75	127 γρ./ώρα	0,40			
	Βοηθητικός (AUX)	50	1,00	73 γρ./ώρα	0,40			
	2 δακτυλίων φλόγας (DC)	94	3,70	269 γρ./ώρα	2,20			
ΥΓΡΑΕΡΙΟ (Προπάνιο) G31	Ταχύς (R)	87	3,00	214 γρ./ώρα	0,70	25	37	45
	Ημι-ταχύς (SR)	67	1,75	125 γρ./ώρα	0,40			
	Βοηθητικός (AUX)	50	1,00	71 γρ./ώρα	0,40			
	2 δακτυλίων φλόγας (DC)	94	3,70	264 γρ./ώρα	2,20			

Τύπος χρησιμοποιούμενου αερίου	Διαμόρφωση μοντέλου 5 ΚΑΥΣΤΗΡΕΣ	Ονομαστική θερμική ροή (kW)	Συνολική ονομαστική κατανάλωση	Αέρας που απαιτείται (m ³) για καύση 1m ³ αερίου
G20 20 mbar	1R - 2SR - 1AUX - 1DC	11,50	1095 λίτρα/ώρα	9,52
G30 28-30 mbar	1R - 2SR - 1AUX - 1DC	11,20	814 γρ./ώρα	30,94
G31 37 mbar	1R - 2SR - 1AUX - 1DC	11,20	800 γρ./ώρα	23,80

ΗΛΕΚΤΡΙΚΗ ΠΑΡΟΧΗ: 220-240 V ~ 50-60 Hz - 0,6W

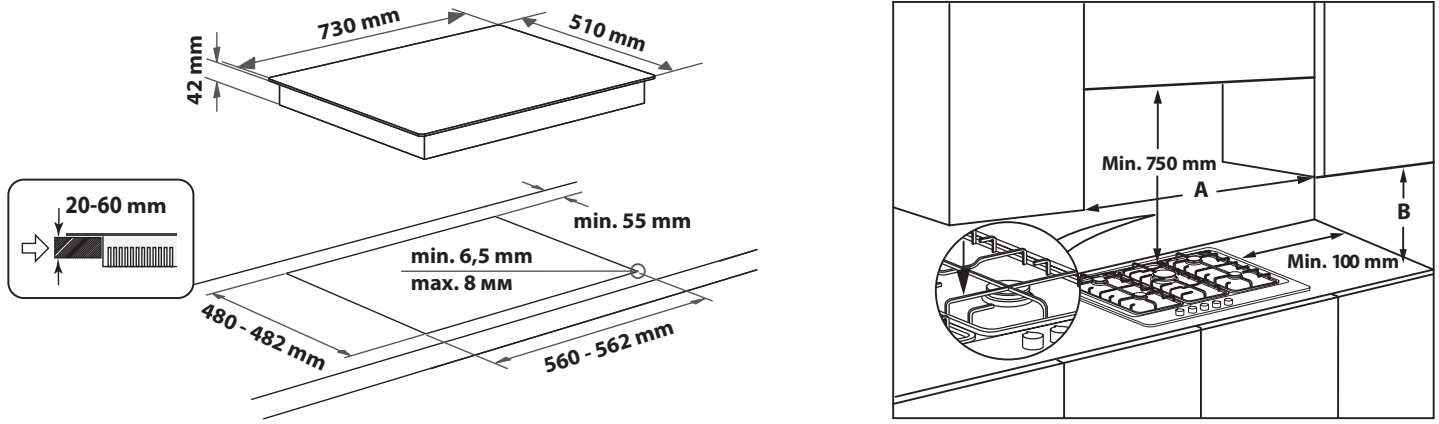


ΕΓΚΑΤΑΣΤΑΣΗ (ΚΑΤΗΓΟΡΙΑ 3)

ΤΕΧΝΙΚΕΣ ΠΛΗΡΟΦΟΡΙΕΣ ΓΙΑ ΤΟΝ ΤΕΧΝΙΚΟ ΕΓΚΑΤΑΣΤΑΣΗΣ

- Χρησιμοποιήστε προστατευτικά γάντια για το χειρισμό, την προετοιμασία και την εγκατάσταση του προϊόντος.
- Το προϊόν αυτό μπορεί να εντοιχιστεί σε πάγκο εργασίας πάχους 20 έως 60 χλστ.
- Εάν δεν υπάρχει φούρνος κάτω από τη μονάδα εστιών, τοποθετήστε μια διαχωριστική επιφάνεια τουλάχιστον ίση με το άνοιγμα στον πάγκο εργασίας. Η επιφάνεια αυτή πρέπει να τοποθετηθεί σε απόσταση το πολύ 150 χλστ. κάτω από την επάνω επιφάνεια του πάγκου εργασίας, αλλά σε καμία περίπτωση σε απόσταση μικρότερη από 20 χλστ. από το κάτω μέρος της μονάδας εστιών. Εάν πρόκειται να εγκαταστήσετε φούρνο κάτω από τη μονάδα εστιών, βεβαιωθείτε ότι ο φούρνος διαθέτει σύστημα ψύξης.

ΔΙΑΣΤΑΣΕΙΣ ΚΑΙ ΑΠΟΣΤΑΣΕΙΣ ΠΟΥ ΠΡΕΠΕΙ ΝΑ ΤΗΡΟΥΝΤΑΙ



ΣΗΜΕΙΩΣΗ: Αν η απόσταση «Α» ανάμεσα στα τοιχώματα του ντουλαπιού είναι από 600 χλστ. έως 730 χλστ., το ύψος «Β» πρέπει να είναι τουλάχιστον 530 χλστ. Αν η απόσταση «Α» ανάμεσα στα τοιχώματα του ντουλαπιού είναι μεγαλύτερη από το πλάτος της μονάδας εστιών, το ύψος «Β» πρέπει να είναι τουλάχιστον 400 χλστ.

Σε περίπτωση εγκατάστασης απορροφητήρα επάνω από τη μονάδα εστιών, ανατρέξτε στις οδηγίες του απορροφητήρα για τη σωστή απόσταση.

ΣΥΝΑΡΜΟΛΟΓΗΣΗ

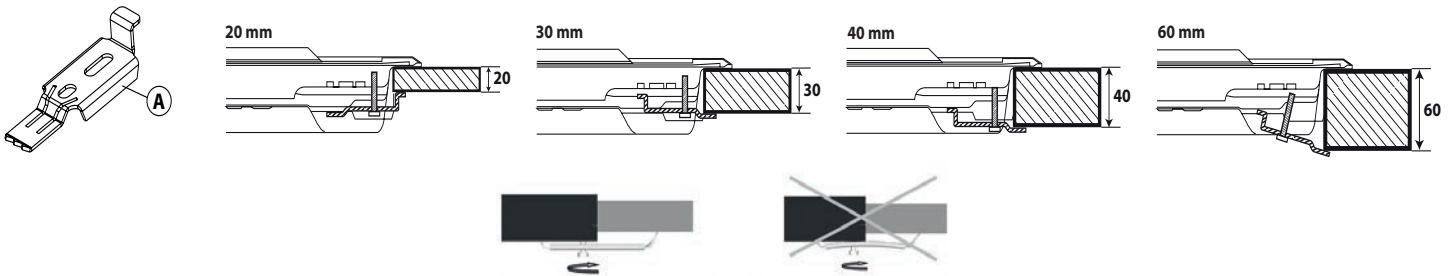
Αφού καθαρίσετε την περιμετρική επιφάνεια, τοποθετήστε την παρεχόμενη φλάντζα στην εστία όπως φαίνεται στην εικόνα.

Τοποθετήστε τη μονάδα εστιών στο άνοιγμα του πάγκου εργασίας που κατασκευάστηκε σύμφωνα με τις διαστάσεις που αναφέρονται στις οδηγίες.



ΣΗΜΕΙΩΣΗ: το καλώδιο τροφοδοσίας πρέπει να είναι αρκετά μακρύ ώστε να επιτρέπει την προς τα επάνω δρομολόγησή του.

Για τη στήριξη της μονάδας εστιών, χρησιμοποιήστε τα παρεχόμενα στηρίγματα (Α). Τοποθετήστε τα στηρίγματα στις αντίστοιχες οπές που απεικονίζονται με το βέλος και σφίξτε τα με τις βίδες τους ανάλογα με το πάχος του πάγκου εργασίας (ανατρέξτε στις παρακάτω εικόνες).

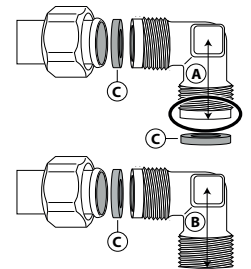


ΣΥΝΔΕΣΗ ΑΕΡΙΟΥ

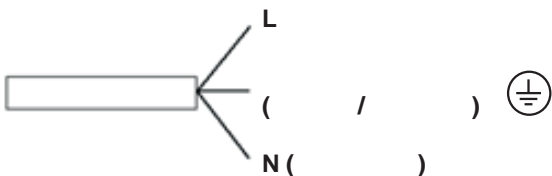
- Συνδέστε την παρεχόμενη γωνία (Α)* ή (Β)* στον κύριο σωλήνα εισόδου της μονάδας εστιών και παρεμβάλετε τη ροδέλα (C) σε συμμόρφωση με το πρότυπο EN 549.

* Χρησιμοποιήστε τη γωνία (Α) για τη Γαλλία και τη γωνία (Β) για όλες τις υπόλοιπες χώρες.

- Μετά τη σύνδεση στην παροχή αερίου, ελέγξτε για διαρροές χρησιμοποιώντας διάλυμα σαπουνιού σε νερό. Ανάψτε τους καυστήρες και στρίψτε τα κουμπιά από τη θέση μέγιστης ρύθμισης (⤴) στη θέση ελάχιστης ρύθμισης (⤵) για να ελέγξετε τη σταθερότητα της φλόγας.



ΣΥΝΔΕΣΗ ΑΕΡΙΟΥ





ΣΑΣ ΕΥΧΑΡΙΣΤΟΥΜΕ ΠΟΥ ΑΓΟΡΑΣΑΤΕ ΕΝΑ ΠΡΟΪΟΝ WHIRLPOOL

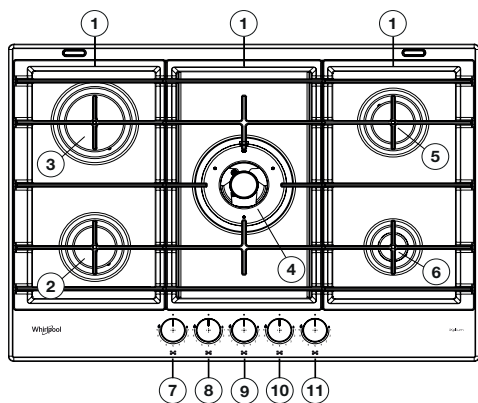
Για να λάβετε πλήρη τεχνική υποστήριξη, παρακαλούμε να καταχωρίσετε τη συσκευή σας στην ιστοσελίδα www.whirlpool.eu/register.

ΣΑΡΩΣΤΕ ΤΟΝ ΚΩΔΙΚΟ QR ΣΤΗ ΣΥΣΚΕΥΗ ΣΑΣ ΓΙΑ ΠΕΡΙΣΣΟΤΕΡΕΣ ΠΛΗΡΟΦΟΡΙΕΣ



Διαβάστε τις οδηγίες για την ασφάλεια προσεκτικά πριν χρησιμοποιήσετε τη συσκευή.

ΠΕΡΙΓΡΑΦΗ ΠΡΟΪΟΝΤΟΣ



1. Αφαιρούμενες σχάρες στήριξης σκευών
2. Ημι-ταχύς καυστήρας
3. Ταχύς καυστήρας
4. Καυστήρας 2 δακτυλίων φλόγας
5. Ημι-ταχύς καυστήρας
6. Βοηθητικός καυστήρας
7. Κουμπί ημι-ταχύς καυστήρα
8. Κουμπί ταχύς καυστήρα
9. Κουμπί καυστήρα 2 δακτυλίων φλόγας
10. Κουμπί ημι-ταχύς καυστήρα
11. Διακόπτης βοηθητικού καυστήρα

Σύμβολα

- Κύκλος με σκίαση ● Κλειστή στρόφιγγα
Μεγάλη φλόγα 🔥 Μέγιστο άνοιγμα/παροχή και ηλεκτρική ανάφλεξη
Μικρή φλόγα 🔥 Ελάχιστο άνοιγμα ή μειωμένη παροχή



ΚΑΘΗΜΕΡΙΝΗ ΧΡΗΣΗ

ΤΡΟΠΟΣ ΧΡΗΣΗΣ ΤΗΣ ΜΟΝΑΔΑΣ ΕΣΤΙΩΝ

⚠ Η φλόγα του καυστήρα δεν πρέπει να εκτείνεται πέρα από την άκρη του σκεύους.

ΣΗΜΑΝΤΙΚΟ: όταν χρησιμοποιείται η μονάδα εστιών, ενδεχεται να ζεσταθεί ολοκληρή η περιοχή της μονάδας εστιών.

- Για να ανάψετε τους καυστήρες, στρίψτε το αντίστοιχο κουμπί προς τα αριστερά στη ρύθμιση μέγιστης φλόγας.
- Πατήστε το κουμπί στον πίνακα ελέγχου για να ανάψει ο καυστήρας.
- Αφού ανάψει ο καυστήρας, κρατήστε το κουμπί πατημένο για περίπου 5-10 δευτερόλεπτα ώστε να λειτουργήσει σωστά η διάταξη.
- Αυτή η διάταξη ασφαλείας του καυστήρα διακόπτει την παροχή αερίου προς τον καυστήρα εάν η φλόγα σβήσει κατά λάθος (λόγω ξαφνικού ρεύματος αέρα, διακοπής στην παροχή αερίου, υπερχειλίσσης υγρού που βράζει κ.λπ.).
- **Μην πατάτε το κουμπί για περισσότερο από 15 δευτερόλεπτα. Εάν μετά το διάστημα αυτό ο καυστήρας δεν παραμένει αναμμένος, περιμένετε τουλάχιστον ένα λεπτό πριν επιχειρήσετε να τον ανάψετε ξανά.**

ΣΗΜΕΙΩΣΗ: Εάν η ανάφλεξη του καυστήρα είναι δύσκολη λόγω ειδικών τοπικών συνθηκών στην παροχή αερίου, συνιστάται να στρίψετε το κουμπί στη ρύθμιση μικρής φλόγας και να επαναλάβετε τη διαδικασία.

Ο καυστήρας μπορεί να σβήσει όταν αφήσετε το κουμπί. Αυτό σημαίνει ότι η διάταξη ασφαλείας δεν έχει ζεσταθεί αρκετά. Στην περίπτωση αυτή, επαναλάβετε τη διαδικασία που περιγράφεται παρακάτω.

Στην περίπτωση τυχαίου σβησίματος των φλογών του καυστήρα, κλείστε τον επιλογέα χειρισμού και ξαναπροσπαθήστε το άναμμα μετά από ουλάχιστον 1 λεπτό.

ΠΡΑΚΤΙΚΕΣ ΣΥΜΒΟΥΛΕΣ ΓΙΑ ΤΗ ΧΡΗΣΗ ΤΩΝ ΚΑΥΣΤΗΡΩΝ

Αυτή η μονάδα εστιών διαθέτει καυστήρες διαφορετικής διαμέτρου. Για τη βέλτιστη απόδοση των καυστήρων, τηρήστε τους παρακάτω κανόνες:

- Χρησιμοποιήστε κατσαρόλες και τηγάνια με πλάτος βάσης ίσο ή ελαφρώς μεγαλύτερο από τους καυστήρες (ανατρέξτε στον πίνακα στα δεξιά);
- Χρησιμοποιήστε μόνο κατσαρόλες και τηγάνια με επίπεδη βάση;
- Χρησιμοποιήστε τη σωστή ποσότητα νερού για το μαγείρεμα των φαγητών και διατηρείτε τις κατσαρόλες σκεπασμένες;
- Βεβαιωθείτε ότι οι κατσαρόλες στις σχάρες δεν προεξέχουν από την άκρη της μονάδας εστιών.
- Για σκεύη με κυρτή βάση (WOK), χρησιμοποιήστε την ειδική σχάρα στήριξης που παρέχεται, η οποία πρέπει να τοποθετείται μόνο στους καυστήρες πολλαπλών δακτυλίων φλόγας.
- Αποφύγετε τυχαία χτυπήματα με κατσαρόλες ή άλλα σκεύη κουζίνας.
- Μην αφήνετε τηγάνια γκριλ στο φούρνο αναμμένο για περισσότερο από 5 λεπτά.

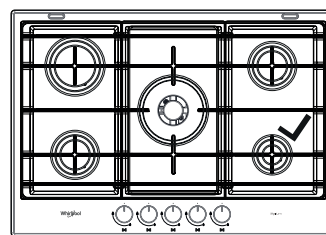
ΣΗΜΑΝΤΙΚΟ: Η ακατάλληλη χρήση των σχαρών μπορεί να προκαλέσει ζημιά στη μονάδα εστιών: μην τοποθετείτε τις σχάρες ανάποδα και μην τις σέρνετε επάνω στη μονάδα εστιών.

ΚΑΥΣΤΗΡΑΣ	Ø ΚΑΤΣΑΡΟΛΑΣ
2 δακτυλίων φλόγας	Από 24 έως 26 εκ.
Ταχύς	Από 24 έως 26 εκ.
Ημι-ταχύς	Από 16 έως 22 εκ.
Βοηθητικός	Από 8 έως 14 εκ.

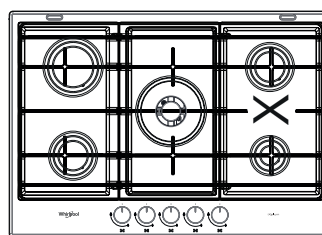
Μην χρησιμοποιείτε:

- Πλάκες ψησίματος από χυτοσίδηρο, σκεύη από φυσική πέτρα, κεραμικές κατσαρόλες και τηγάνια;
- Αντικείμενα που προκαλούν διάχυση της θερμότητας όπως μεταλλικά πλέγματα ή άλλου τύπου;
- Δύο καυστήρες ταυτόχρονα για ένα σκεύος (π.χ. κατσαρόλα για ψάρι).

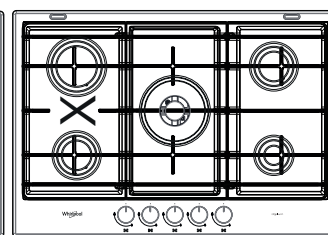
Η ΣΩΣΤΗ ΤΟΠΟΘΕΤΗΣΗ ΤΩΝ ΔΙΚΤΥΩΝ



OK



NO



NO

ΠΡΟΣΑΡΜΟΓΗ ΣΕ ΔΙΑΦΟΡΕΤΙΚΟΥΣ ΤΥΠΟΥΣ ΑΕΡΙΟΥ

⚠ Η εργασία αυτή πρέπει να γίνει από εξειδικευμένο τεχνικό.

Εάν η συσκευή πρόκειται να χρησιμοποιηθεί με αέριο διαφορετικό από τον τύπο του αερίου που αναγράφεται στην πινακίδα τεχνικών στοιχείων και στην ετικέτα πληροφοριών στο επάνω μέρος της μονάδας εστιών, αντικαταστήστε τα μπεκ. Αφαιρέστε την ετικέτα πληροφοριών και φυλάξτε την μαζί με το χειρίδιο οδηγιών.

Χρησιμοποιήστε ρυθμιστές πίεσης κατάλληλους για την πίεση αερίου που αναφέρεται στις οδηγίες:

- Το ακροφύσιο αερίου πρέπει να αντικατασταθεί από συνεργάτη μας μέσω του κέντρου εξυπηρέτησης πελατών ή από εξειδικευμένο τεχνικό;
- Τα ακροφύσια που δεν παρέχεται με τη συσκευή πρέπει να τα παραγγείλετε από το κέντρο εξυπηρέτησης πελατών;
- Προσαρμόστε την ελάχιστη ρύθμιση για τις στρόφιγγες.

ΣΗΜΕΙΩΣΗ: Εάν χρησιμοποιείται υγραέριο (G30/G31), η βίδα ελάχιστης ρύθμισης αερίου πρέπει να σφιχτεί μέχρι τέρμα.

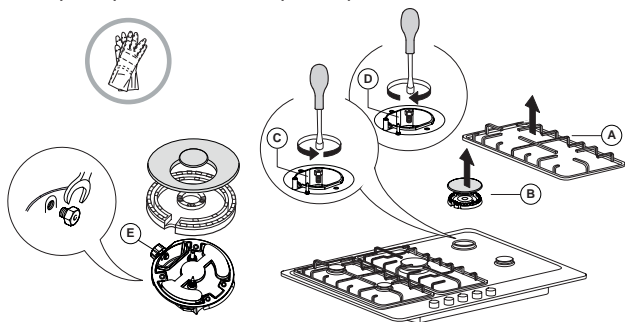
ΣΗΜΑΝΤΙΚΟ: Εάν δυσκολεύεστε κατά το στρίψιμο των κουμπιών των καυστήρων, επικοινωνήστε με το κέντρο εξυπηρέτησης πελατών για την αντικατάσταση της στρόφιγγας του καυστήρα εάν διαπιστωθεί ότι είναι ελαττωματική.

ΣΗΜΑΝΤΙΚΟ: Εάν χρησιμοποιείται φιάλη αερίου, η φιάλη πρέπει να στηρίζεται σωστά (κάθετος προσανατολισμός).

ΑΝΤΙΚΑΤΑΣΤΑΣΗ ΤΩΝ ΜΠΕΚ (ανατρέξτε στον πίνακα των μπεκ στις Οδηγίες για την ασφάλεια)

⚠ Η εργασία αυτή πρέπει να γίνει από εξειδικευμένο τεχνικό.

- Αφαιρέστε τις σχάρες (A).
- Αφαιρέστε τους καυστήρες (B).
- Χρησιμοποιώντας σωληνωτό κλειδί κατάλληλου μεγέθους, ξεβιδώστε (C) το μπεκ που χρειάζεται αντικατάσταση.
- Αντικαταστήστε το με μπεκ κατάλληλο για τον νέο τύπο αερίου.
- Συναρμολογήστε το μπεκ στο (D).
- Εάν διαθέτετε καυστήρα πολλαπλών δακτυλίων, χρησιμοποιήστε πολύγωνο για να αντικαταστήσετε το μπεκ (E).



Πριν εγκαταστήσετε τη μονάδα εστιών, στερεώστε την πινακίδα βαθμονόμησης αερίου που παρέχεται με τα μπεκ με τρόπο που να καλύπτει τις υπάρχουσες πληροφορίες για τη βαθμονόμηση του αερίου.

ΠΡΟΣΑΡΜΟΓΗ ΕΛΑΧΙΣΤΗΣ ΡΥΘΜΙΣΗΣ ΠΑΡΟΧΗΣ ΑΕΡΙΟΥ ΣΤΙΣ ΣΤΡΟΦΙΓΓΕΣ

⚠ Η εργασία αυτή πρέπει να γίνει από εξειδικευμένο τεχνικό.

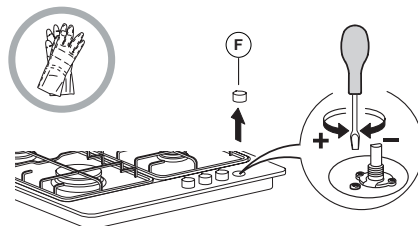
Η προσαρμογή πρέπει να γίνει με τη στρόφιγγα στη θέση ελάχιστης ρύθμισης παροχής (μικρή φλόγα).

Ο πρωτεύων αέρας των καυστήρων δεν χρειάζεται ρύθμιση.

Για να διασφαλιστεί η σωστή προσαρμογή της ελάχιστης ρύθμισης παροχής αφαιρέστε το κουμπί (F) και ακολουθήστε την παρακάτω διαδικασία:

- σφίξτε τη βίδα για να μειώσετε το ύψος της φλόγας (-);
- λασκάρτε τη βίδα για να αυξήσετε το ύψος της φλόγας (+).

Στη συνέχεια, ανάψτε τους καυστήρες και στρίψτε τα κουμπιά από τη θέση μέγιστης ρύθμισης (στη θέση ελάχιστης ρύθμισης) για να ελέγξετε τη σταθερότητα της φλόγας.



Όταν ολοκληρωθεί η προσαρμογή, σφραγίστε ξανά το σημείο χρησιμοποιώντας βουλοκέρι ή άλλο αντίστοιχο υλικό.

ΠΙΝΑΚΑΣ ΨΗΣΙΜΑΤΟΣ

ΕΠΙΠΕΔΟ	ΜΕΘΟΔΙΣΜΕ/ΤΥΠΟΣ ΨΗΣΙΜΑΤΟΣ (ΠΡΟΤΕΙΝΟΜΕΝΟ ΓΙΑ)	ΣΥΜΒΟΥΛΕΣ ΜΑΓΕΙΡΕΜΑΤΟΣ
1-2	ΔΙΑΤΗΡΗΣΗ ΖΕΣΤΟ	Ιδανικό για μαλάκωμα βουτύρου, απαλό λιώσιμο σοκολάτας σε μπεν-μαρί, απόψυξη μικρών πακέτων, κρεμώδες ριζότο.
	ΕΛΑΦΡΥ ΨΗΣΙΜΟ	
3-4	ΣΙΓΟΒΡΑΣΙΜΟ	Ιδανικό για αργό μαγείρ. συνταγών (ρύζι, σάλτσες, ψητό, ψάρι) με υγρά (νερό, κρασί, ζωμός) και για και συμπύκνωση υγρών σε ζυμαρικά, διατήρηση σιγοβρασίματος.
	ΒΡΑΣΤΟ	
5-6	ΨΗΤΟ	Ιδανικό για σοτάρισμα, βράσιμο λαχανικών, ψήσιμο για μεγαλύτερο διάστημα, αξεσουάρ προθέρμανσης, μαγειρέματος έως κρεμώδες.
	ΤΗΓΑΝΙΣΜΑ	
7-8	ΣΤΙΠ-ΦΡΑΙ	Ιδανικό για ροδοκοκκίνισμα, έναρξη μαγειρέματος, ταχεία επίτευξη βρασμού σε υγρά, τηγάνισμα κατεψυγμένων προϊόντων, κρέας και ψάρι στη σχάρα, διατήρηση βρασμού.
	ΨΗΣΙΜΟ ΣΤΟ ΓΚΡΙΛ	
9	ΓΡΗΓΟΡΟ ΖΕΣΤΑΜΑ	Ιδανικό για γρήγορη αύξηση της θερμοκρασίας του φαγητού ή για ζέσταμα υγρών (νερό).

ΚΑΘΑΡΙΣΜΟΣ ΚΑΙ ΣΥΝΤΗΡΗΣΗ

 Αποσυνδέστε τη συσκευή από το ηλεκτρικό δίκτυο.

ΚΑΘΑΡΙΣΜΟΣ ΤΗΣ ΕΠΙΦΑΝΕΙΑΣ ΤΗΣ ΜΟΝΑΔΑΣ ΕΣΤΙΩΝ

- Όλα τα εμαγιέ και γυάλινα εξαρτήματα πρέπει να καθαρίζονται με διάλυμα ζεστού νερού και ουδέτερου απορρυπαντικού.
- Το σκληρό νερό και τα διαβρωτικά απορρυπαντικά μπορεί να προκαλέσουν κηλίδες στις επιφάνειες από ανοξείδωτο χάλυβα σε περίπτωση παρατεταμένης επαφής. Καθαρίζετε αμέσως τα υγρά που χύνονται (νερό, σάλτσα, καφέ κ.λπ.) πριν στεγνώσουν.
- Καθαρίστε την επιφάνεια με διάλυμα ζεστού νερού και ουδέτερου απορρυπαντικού και σκουπίστε την με μαλακό πανί ή δέρμα. Απομακρύνετε τα υπολείμματα που έχουν ξεραθεί με ειδικό καθαριστικό για επιφάνειες από ανοξείδωτο χάλυβα.

ΣΗΜΕΙΩΣΗ: Καθαρίζετε τις επιφάνειες από ανοξείδωτο χάλυβα μόνο με μαλακό πανί ή σφουγγάρι.

- Μην χρησιμοποιείτε αποξεστικά ή διαβρωτικά προϊόντα, καθαριστικά με βάση τη χλωρίνη ή συρμάτινα σφουγγαράκια.
- Μην χρησιμοποιείτε συσκευές καθαρισμού με ατμό.
- Μην χρησιμοποιείτε εύφλεκτα προϊόντα.
- Μην αφήνετε στη μονάδα εστιών όξινες ή αλκαλικές ουσίες όπως ξίδι, μουστάρδα, αλάτι, ζάχαρη ή χυμό λεμονιού.

ΑΝΤΙΜΕΤΩΠΙΣΗ ΠΡΟΒΛΗΜΑΤΩΝ

Εάν η μονάδα εστιών δεν λειτουργεί σωστά, πριν επικοινωνήσετε με το κέντρο εξυπηρέτησης πελατών ανατρέξτε στον οδηγό αντιμετώπισης προβλημάτων για να καθορίσετε το πρόβλημα.

1. Ο καυστήρας δεν ανάβει ή η φλόγα δεν είναι ομοιόμορφη

Βεβαιωθείτε ότι:

- Η παροχή αερίου και ηλεκτρικού ρεύματος δεν είναι κλειστές και ιδίως ότι η στρόφιγγα παροχής αερίου είναι ανοικτή;
- Η φιάλη αερίου (υγραέριο) δεν έχει αδειάσει;
- Τα ανοίγματα του καυστήρα δεν είναι φραγμένα;
- Δεν υπάρχουν ακαθαρσίες στο άκρο του σπινθηριστή;
- Όλα τα εξαρτήματα του καυστήρα έχουν τοποθετηθεί σωστά;
- Δεν υπάρχουν ρεύματα αέρα κοντά στη μονάδα εστιών.

2. Ο καυστήρας δεν παραμένει αναμμένος

Βεβαιωθείτε ότι:

- Όταν ανάβετε τον καυστήρα, πατάτε το κουμπί όσο χρόνο χρειάζεται για την ενεργοποίηση της διάταξης προστασίας;
- Τα ανοίγματα του καυστήρα δεν είναι φραγμένα κοντά στο θερμοστοιχείο;
- Δεν υπάρχουν ακαθαρσίες στο άκρο της διάταξης προστασίας;
- Η ελάχιστη ρύθμιση παροχής αερίου είναι σωστή (ανατρέξτε στη σχετική παράγραφο).

ΚΑΘΑΡΙΣΜΟΣ ΤΩΝ ΕΞΑΡΤΗΜΑΤΩΝ ΤΗΣ ΜΟΝΑΔΑΣ ΕΣΤΙΩΝ

- Καθαρίζετε τα γυάλινα και εμαγιέ εξαρτήματα μόνο με μαλακό πανί ή σφουγγάρι.
- Μπορείτε να αφαιρέσετε τις σχάρες, τα καπάκια των καυστήρων και τους καυστήρες για να τους καθαρίσετε.
- Καθαρίστε τα εξαρτήματα με το χέρι χρησιμοποιώντας ζεστό νερό και μη διαβρωτικό απορρυπαντικό, απομακρύνετε τα υπολείμματα φαγητού και βεβαιωθείτε ότι κανένα από τα ανοίγματα του καυστήρα δεν είναι φραγμένο.
- Ξεπλύνετε και σκουπίστε τα εξαρτήματα.
- **Οι σχάρες από χυτοσίδηρο μπορούν να καθαριστούν στο πλυντήριο πιάτων.**
- **Αφαιρέστε τυχόν καμένα τρόφιμα πριν τοποθετήσετε τις σχάρες στο χαμηλότερο ράφι του πλυντηρίου πιάτων.**
- Τοποθετήστε ξανά τους καυστήρες και τα καπάκια των καυστήρων σωστά στις αντίστοιχες υποδοχές.
- Κατά την επανατοποθέτηση των σχαρών, βεβαιωθείτε ότι η περιοχή στήριξης του σκεύους είναι ευθυγραμμισμένη με τον καυστήρα.
- Στα μοντέλα με ηλεκτρικούς σπινθηριστές και διατάξεις προστασίας, απαιτείται σχολαστικός καθαρισμός του άκρου του σπινθηριστή ώστε να διασφαλιστεί η σωστή λειτουργία. Ελέγχετε τα εξαρτήματα αυτά τακτικά και, εάν απαιτείται, καθαρίστε τα με υγρό πανί. Τα υπολείμματα φαγητών που ξεράθηκαν κατά το μαγείρεμα πρέπει να αφαιρούνται με οδοντογλυφίδα ή βελόνα.

ΣΗΜΕΙΩΣΗ: Για να αποφύγετε τυχόν ζημιά στην ηλεκτρική ανάφλεξη, μην την χρησιμοποιείτε όταν οι καυστήρες δεν βρίσκονται στις υποδοχές τους.

3. Τα σκεύη δεν είναι σταθερά

Βεβαιωθείτε ότι:

- Η βάση του σκεύους είναι απόλυτα επίπεδη;
- Το σκεύος είναι κεντραρισμένο επάνω στον καυστήρα;
- Οι σχάρες δεν έχουν τοποθετηθεί ανάποδα ή λανθασμένα.

Εάν μετά από αυτούς τους ελέγχους το πρόβλημα παραμένει, απευθυνθείτε στο πλησιέστερο κέντρο εξυπηρέτησης πελατών.

ΗΧΟΙ ΠΟΥ ΠΑΡΑΓΟΝΤΑΙ ΚΑΤΑ ΤΗ ΛΕΙΤΟΥΡΓΙΑ

Για να λάβετε πλήρη τεχνική υποστήριξη, παρακαλούμε να καταχωρίσετε τη συσκευή σας στην ιστοσελίδα www.whirlpool.eu/register.

ΠΡΙΝ ΚΑΛΕΣΕΤΕ ΤΟ ΣΕΡΒΙΣ:

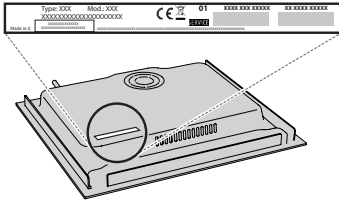
1. Επιχειρήστε να επιλύσετε μόνοι σας το πρόβλημα με τη βοήθεια των συστάσεων που παρέχονται στον **ΟΔΗΓΟ ΑΝΤΙΜΕΤΩΠΙΣΗΣ ΒΛΑΒΩΝ**.
2. Σβήστε και ανάψτε ξανά τη συσκευή για να διαπιστώσετε εάν η βλάβη παραμένει.

ΕΑΝ Η ΒΛΑΒΗ ΕΞΑΚΟΛΟΥΘΕΙ ΝΑ ΕΜΦΑΝΙΖΕΤΑΙ ΜΕΤΑ ΤΟΥΣ ΠΑΡΑΠΑΝΩ ΕΛΕΓΧΟΥΣ, ΕΠΙΚΟΙΝΩΝΗΣΤΕ ΜΕ ΤΟ ΠΛΗΣΙΕΣΤΕΡΟ ΣΕΡΒΙΣ.

Για τεχνική υποστήριξη, καλέστε τον αριθμό που αναγράφεται στο βιβλιαράκι εγγύησης ή ακολουθήστε τις οδηγίες στην www.whirlpool.eu.

Όταν επικοινωνείτε με την Εξυπηρέτηση πελατών, αναφέρετε πάντα:

- Μια σύντομη περιγραφή της βλάβης;
- Τον τύπο και το ακριβές μοντέλο της συσκευής;



- τον σειριακό αριθμό (αριθμός μετά τη λέξη SN στην πινακίδα που βρίσκεται κάτω από τη συσκευή). Ο σειριακός αριθμός αναφέρεται επίσης στην τεκμηρίωση;



Mod. **xxx xxx**
Ind.C. **xxxx xxxx xxxx**
SN: **xxxx xxxx xxxx**
Prod.N. **xxxx xxxx xxxx**

- την πλήρη διεύθυνσή σας;
- τον αριθμό τηλεφώνου σας.

Εάν απαιτείται επισκευή, απευθυνθείτε σε ένα εξουσιοδοτημένο Κέντρο Εξυπηρέτησης Πελατών (για να διασφαλιστεί η χρήση γνήσιων ανταλλακτικών και η σωστή επισκευή).

Μπορείτε να βρείτε πολιτικές, τυπική τεκμηρίωση και πρόσθετες πληροφορίες προϊόντος:

- Χρήση του κωδικού QR στη συσκευή σας;
- Επισκεφθείτε την ιστοσελίδα μας docs.whirlpool.eu/docs;
- Εναλλακτικά, μπορείτε να επικοινωνήσετε με την Υπηρεσία εξυπηρέτησης πελατών (Βλ. τηλεφωνικό αριθμό στο βιβλιαράκι εγγύησης). Όταν επικοινωνείτε με το Κέντρο εξυπηρέτησης πελατών, αναφέρατε τους κωδικούς που αναγράφονται στην ετικέτα αναγνώρισης προϊόντος.



⚠ Ці інструкції дійсні, якщо символ відповідної країни вказаний на приладі. Якщо на приладі немає символу відповідної країни, слід звернутися до технічних інструкцій, де є необхідні вказівки щодо змін, які слід виконати на приладі, щоб він був адаптований до умов використання в цій країні.

⚠ **ОБЕРЕЖНО:** Під час використання газової плити в приміщенні, де вона встановлена, виділяються тепло, волога і продукти згоряння. Слід подбати про добру вентиляцію кухні, головним чином на час використання приладу: залишайте відкритими отвори для природної вентиляції або встановіть пристрій для примусової вентиляції (втяжку з примусовою вентиляцією). Під час тривалого інтенсивного використання приладу може знадобитися додаткова вентиляція, наприклад, може виникнути потреба відкрити вікно, або ж доведеться перемкнути втяжку (за наявності) на вищий рівень потужності.

⚠ Недотримання рекомендацій, зазначених у цьому посібнику, може призвести до займання або вибуху з подальшими матеріальними збитками або травмами.

Перед використанням приладу прочитайте ці інструкції з техніки безпеки. Збережіть їх для подальшого використання.

У цих інструкціях та на самому приладі містяться важливі попередження про небезпеку, які слід завжди виконувати. Виробник не несе жодної відповідальності за недотримання цих інструкцій з техніки безпеки, за неналежне використання приладу або неправильне налаштування елементів управління.

⚠ **ПОПЕРЕДЖЕННЯ:** Якщо варильна поверхня тріснула, не користуйтеся приладом – існує ризик ураження електричним струмом.

⚠ **ПОПЕРЕДЖЕННЯ:** Щоб уникнути пожежі: не зберігайте жодних предметів на поверхнях для приготування.

⚠ **ОБЕРЕЖНО:** за процесом готування слід наглядати. За короткочасним процесом готування слід наглядати постійно.

⚠ **ПОПЕРЕДЖЕННЯ:** Необережне приготування їжі із змістом жиру або олії на варильній панелі може бути небезпечним - це може призвести до виникнення пожежі. **НІКОЛИ** не намагайтеся загасити вогонь водою. Вимкніть прилад і накрийте чимось вогонь, наприклад кришкою або протипожежною ковдрою.

⚠ Не використовуйте варильну панель як робочу поверхню або як підставку. Не кладіть одяг або інші легкозаймисті матеріали поблизу приладу, доки повністю не охолонуть всі його компоненти – існує ризик виникнення пожежі.

⚠ Не дозволяйте маленьким дітям (до 3 років) підходити надто близько до приладу. Не дозволяйте маленьким

дітям (від 3 до 8 років) підходити надто близько до приладу без постійного нагляду. До користування приладом допускаються діти віком від 8 років, особи з фізичними, сенсорними чи розумовими вадами, а також особи, які мають незначний досвід чи знання щодо використання цього приладу, лише за умови, що такі особи отримали інструкції щодо безпечного використання приладу, розуміють можливий ризик або використовують прилад під наглядом осіб, що відповідають за їхню безпеку. Не дозволяйте дітям гратися з приладом. Діти можуть чистити та обслуговувати прилад лише під наглядом дорослих.

⚠ **ОБЕРЕЖНО:** У разі пошкодження скла конфорки: негайно вимкніть усі конфорки та будь-які електричні нагрівальні елементи і відключіть прилад від джерела живлення; не торкайтеся поверхонь приладу; не користуйтеся приладом.

Скляна кришка може зламатися, якщо нагріється. Перед закриванням кришки вимкніть усі конфорки та електричні панелі. Не закривайте кришку під час роботи конфорки.

⚠ **ПОПЕРЕДЖЕННЯ:** Під час використання прилад і його доступні частини нагріваються. Слід бути обережними, щоб не торкнутися нагрівальних елементів. Дітей до 8 років не можна залишати поруч із приладом без постійного нагляду.

⚠ Не залишайте продукти або готові страви у виробі чи на ньому більше ніж протягом однієї години до або після приготування.

ДОЗВОЛЕНЕ ВИКОРИСТАННЯ

⚠ **ОБЕРЕЖНО:** Цей прилад не призначений для експлуатації із зовнішнім приладом для перемикання, наприклад, таймером або окремою системою дистанційного керування.

⚠ Цей прилад призначено для використання в побутових і подібних умовах, наприклад таких: в кухонних зонах магазинів, офісів та інших робочих середовищ; у фермерських господарствах; клієнтами в готелях, мотелях, хостелах й інших житлових приміщеннях.

⚠ Забороняється використовувати прилад для інших цілей (наприклад, для опалення приміщень).

⚠ Цей пристрій не призначений для професійного використання. Не користуйтеся приладом на вулиці.

⚠ Використовувати каструлі та сковороди, дно яких має такий самий або трохи більший діаметр, як і конфорки (див. відповідну таблицю). стежити, щоб каструлі на решітці не виступали за межі варильної панелі.

⚠ Неправильне використання решіток може призвести до пошкодження варильної панелі: Не ставте решітку догори дном і не тягніть її по варильній панелі.

Регулюйте потужність полум'я конфорки так, щоб воно не виходило за межі сковороди або каструлі.

Якщо поверхня варильної панелі виконана зі скла, не використовуйте чавунні, керамічні та виготовлені з натурального каменю каструлі та сковороди.

Не використовуйте: пристрої для рівномірного розсіювання полум'я (наприклад, металева сітка тощо); одночасно дві конфорки для одного посуду (наприклад, довгий посуд для приготування риби).

Якщо через певну місцеву якість подачі газу запалення конфорок викликає труднощі, рекомендовано повторити спробу запалювання, повернувши ручку керування потужністю конфорки до позначки малого полум'я.

У випадку встановлення витяжки над варильною поверхнею див. інструкції виробника витяжки для дотримання правильної відстані.

Захисні гумові ніжки на сітках можуть стати причиною удушення дітей. Після знімання сітки переконайтеся, що всі ніжки правильно встановлені.

УСТАНОВЛЕННЯ

⚠ Встановлення і обслуговування приладу повинно виконуватись принаймні двома особами для уникнення ризику травмування. Під час розпакування та встановлення приладу використовуйте захисні рукавиці – існує ризик порізів.

⚠ Електричні та газові з'єднання мають відповідати місцевим нормам.

⚠ Установлення, підключення водопостачання (за наявності) і електричних з'єднань, які ремонтні роботи, повинні виконуватись кваліфікованим персоналом. Не ремонтуйте та не замінюйте жодну частину приладу, якщо в інструкції з експлуатації прямо не вказано, що це необхідно зробити. Не дозволяйте дітям наближатись до місця установлення. Розпакувавши прилад, перевірте, чи немає на ньому пошкоджень після транспортування. Якщо це так, зверніться до дилера або найближчого центру післяпродажного обслуговування. Після встановлення залишки упаковки (пластик, пінополістиролові елементи тощо) повинні зберігатися в недоступному для дітей місці – існує небезпека удушення. Перед проведенням будь-яких робіт з установлення прилад слід відключити від електромережі для уникнення ризику ураження електричним струмом. Під час установлення приладу переконайтеся, що він не перетискає та не пошкоджує кабель живлення – існує ризик виникнення пожежі або ураження електрострумом. Вмикайте прилад лише після завершення процедури його встановлення.

⚠ **ПОПЕРЕДЖЕННЯ:** Критично важливими для безпеки і правильності використання приладу в усіх додаткових країнах є способи його модифікації і встановлення.

⚠ Використовуйте регулятори тиску, сумісні з показниками тиску газу, вказаними в інструкції.

⚠ Приміщення повинне бути оснащене витяжною системою, що видаляє всі гази і дим, які утворюються під час горіння.

⚠ У приміщенні також слід забезпечити належну циркуляцію повітря, оскільки для забезпечення нормального перебігу горіння потрібне свіже повітря. Приплив повітря не повинен бути меншим від 2 м³/год на кожний кіловат встановленої потужності.

⚠ Система циркуляції повітря повинна забирати свіже повітря безпосередньо з атмосфери за межами приміщення за допомогою труби з площею

внутрішнього перерізу не менше 100 см²; вхідний отвір повинен бути захищеним від будь-якого блокування.

⚠ Система також може постачати потрібне для процесу горіння повітря непрямым способом, тобто з суміжних приміщень, оснащених трубами для циркуляції повітря, що відповідають наведеним вище вимогам. Однак згадані вище приміщення не повинні бути приміщеннями спільного користування, спальними кімнатами або приміщеннями, що можуть бути пожежно небезпечними.

⚠ Пара рідкого палива спускається до підлоги, оскільки вона важча від повітря. Тому приміщення з балонами, наповненими зрідженим вуглеводневим газом, також слід оснастити вентиляторами, які б видаляли газ у випадку його витоку. Враховуючи згадані вище обставини, частково або повністю заповнені зрідженим вуглеводневим газом балони заборонено встановлювати або зберігати в приміщеннях або на складських майданчиках, що знаходяться нижче рівня землі (наприклад, у підвалах і подібних приміщеннях). Рекомендується зберігати лише балон, який використовується в приміщенні, і розташовувати його так, щоб на нього не могло діяти тепло від зовнішніх джерел (духових шаф, камінів, кухонних плит і т. п.), які можуть нагріти балон до температури вище 50 °C.

⚠ Усі столярні роботи виконуйте до вбудовування приладу в меблевий корпус і приберіть усю дерев'яну стружку та тирсу.

⚠ Якщо прилад не встановлений над піччю, необхідно встановити піддон для збирання рідини (не входить в комплект) у відділенні під приладом.

У разі виникнення труднощів з повертанням ручок керування потужністю пальників зверніться до центру післяпродажного обслуговування, щоб замінити кран пальника, якщо він виявиться несправним.

Заборонено перекривати отвори, що використовуються для вентиляції і розсіювання тепла.

ПІДКЛЮЧЕННЯ ГАЗУ

⚠ **ПОПЕРЕДЖЕННЯ:** Перед встановленням слід переконавшись, що місцеві умови постачання (тип газу і його тиск) і конфігурація газового приладу сумісні.

⚠ Перевірте, чи відповідає тиск газу значенням, вказаним у таблиці "Технічні умови пальників і сопел".

⚠ **ПОПЕРЕДЖЕННЯ:** Умови налаштування цього приладу вказані на спеціальній позначці (або на заводській табличці даних).

⚠ **ПОПЕРЕДЖЕННЯ:** Цей прилад не під'єднаний до пристрою видалення продуктів згорання. Його слід встановити і підключити відповідно до чинних норм встановлення. Особливу увагу потрібно приділити відповідним вимогам щодо вентиляції.

⚠ Якщо прилад приєднують до джерела зрідженого газу, слід максимально щільно затягнути регулювальний гвинт.

⚠ **ВАЖЛИВО:** Переконайтеся, що газовий балон або ємність із газом розміщується належним чином (у вертикальному положенні), а вже потім підключайте до них газовий прилад.

⚠ ПОПЕРЕДЖЕННЯ: Лише кваліфікованому майстру дозволяється проводити цю процедуру.

⚠ Використовуйте тільки гнучкий або жорсткий металевий шланг для підключення до газової системи.

⚠ Підключення за допомогою жорсткої труби (мідної або сталеві). Підключення до системи газопостачання слід виконувати таким чином, щоб на газовий прилад не діяло жодне зусилля натягу чи деформації. Газовий прилад оснащений у точці підключення газу Г-подібною з'єднувальною деталлю з ущільнювальним матеріалом, щоб уникнути витоку газу. Після обертання з'єднувальної деталі ущільнювальний матеріал завжди слід міняти (ущільнювальний матеріал постачається в комплекті газового приладу). З'єднувальна трубна деталь являє собою циліндричний охоплюваний з'єднувач із зовнішньою різью 1/2 дюйма для під'єднання газу.

⚠ Підключення безшовної гнучкої труби з нержавіючої сталі до з'єднувача з різью. З'єднувальна трубна деталь являє собою циліндричний охоплюваний з'єднувач із різью 1/2 дюйма для під'єднання газу. Такі труби слід встановлювати таким чином, щоб у повністю розправленому стані їх довжина не перевищувала 2000 мм. Коли з'єднання виконане, гнучка металева труба не повинна торкатися рухомих деталей і не повинна знаходитися в стисненому стані. Слід використовувати лише труби і ущільнювальні матеріали, що відповідають вимогам актуальних національних нормативів.

⚠ ВАЖЛИВО: У разі використання шланга з нержавіючої сталі його слід встановити так, щоб він не торкався жодних рухомих частин меблів (наприклад, висувного ящика). Його слід прокласти в місці, де немає жодних перешкод і де його можна оглянути по всій довжині.

⚠ Цей прилад слід під'єднувати до мережі газопостачання або до газового балона згідно з вимогами чинних національних нормативів. Перш ніж під'єднувати, переконайтеся, що даний прилад сумісний з системою газопостачання, якою плануєте користуватися. Якщо виявиться, що прилад несумісний з наявною системою, див. розділ "Налаштування відповідно до іншого типу газу".

⚠ Підключивши прилад до газової мережі, за допомогою мильної води перевірте, чи немає витоку газу. Запаліть пальники та поверніть відповідні ручки керування потужністю пальників у максимальне (1*), а потім у мінімальне (2*) положення, щоб перевірити рівномірність полум'я.

НАЛАШТУВАННЯ ВІДПОВІДНО ДО ІНШОГО ТИПУ ГАЗУ

(Ці роботи має здійснювати кваліфікований персонал).

⚠ Для того, щоб пристосувати прилад до роботи з іншим типом газу, а не тим, на який він був налаштований на заводі-виробнику (зазначений на етикетці з технічними даними), виконайте наступні кроки, наведені після креслень щодо монтажу.

ПОПЕРЕДЖЕННЯ ПРО НЕБЕЗПЕКУ УРАЖЕННЯ ЕЛЕКТРИЧНИМ СТРУМОМ

⚠ ВАЖЛИВО: Інформація про споживання струму та напруги наведена на інформаційній табличці.

⚠ Слід забезпечити можливість від'єднання приладу від електромережі шляхом витягування вилки (за наявності) з розетки або за допомогою багатополюсного перемикача, встановленого перед розеткою згідно з нормами прокладання електропроводки, крім того, прилад має бути заземлений відповідно до національних стандартів електробезпеки.

⚠ Довжина кабелю живлення має бути достатньою для підключення приладу до електромережі після його встановлення в меблевий корпус. Не тягніть за кабель живлення приладу.

⚠ Не використовуйте подовжувачі, розгалужувачі або адаптери. Після підключення електричні компоненти мають бути недосяжними для користувача. Не використовуйте прилад, якщо ви мокрі або босоніж. Забороняється користуватися цим приладом у разі пошкодження кабелю живлення або вилки й у разі неналежної роботи приладу або пошкодження чи падіння.

⚠ Якщо кабель електроживлення пошкоджений, слід звернутись до виробника, сервісного агента або особи з подібною кваліфікацією для заміни на ідентичний кабель, щоб уникнути небезпеки - існує ризик ураження електричним струмом.


ЧИЩЕННЯ ТА ОБСЛУГОВУВАННЯ

⚠ ПОПЕРЕДЖЕННЯ: перед здійсненням технічного обслуговування приладу переконайтеся в тому, що прилад вимкнений і відключений від джерела живлення ніколи не застосовуйте пристрої чищення парою – існує ризик ураження електричним струмом.

⚠ Не використовуйте абразивні чи їдкі матеріали, очисники на основі хлору або металеві щітки.

⚠ Щоб не пошкодити пристрій електричного запалювання, не використовуйте його, коли конфорки знаходяться не на своїх місцях.


УТИЛІЗАЦІЯ ПАКУВАЛЬНИХ МАТЕРІАЛІВ

Пакувальний матеріал на 100% є вторинною сировиною, придатною для повторного використання, і позначений відповідним символом . Тому різні частини упаковки слід утилізувати відповідально та згідно з місцевими правилами щодо утилізації відходів.

УТИЛІЗАЦІЯ ПОБУТОВИХ ПРИЛАДІВ

Цей прилад виготовлено з матеріалів, які підлягають вторинній переробці або придатні для повторного використання. Утилізуйте Перед проведенням будь-якого чищення або технічного обслуговування слід переконавшись, що прилад охолонув. Його відповідно до місцевих правил утилізації відходів. Для отримання додаткової інформації про поводження з побутовими електричними приладами, їх утилізацію та вторинну переробку зверніться до місцевих органів, служби утилізації побутових відходів або в магазин, де ви придбали прилад. Цей прилад марковано відповідно до Європейської директиви 2012/19/ЄС, Директиви щодо відпрацьованого електричного й електронного обладнання (WEEE) та до Регламенту 2013 року про відходи електричного та електронного обладнання (зі змінами).

Забезпечивши правильну утилізацію цього приладу, ви допоможете запобігти негативним наслідкам для довкілля та здоров'я людей.

Символ  на виробі або в супровідній документації вказує на те, що прилад не можна утилізувати як побутові відходи, і що його потрібно здавати на утилізацію до відповідних центрів збору відходів для вторинної переробки електричного та електронного обладнання.

ПОРАДИ ЩОДО ЕНЕРГОЗБЕРЕЖЕННЯ

Використовувати каструлі та сковороди, площа дна яких дорівнює площі конфорки.

Використовувати тільки каструлі та сковороди з плоским дном.

За нагоди накривати каструлі кришками під час приготування.

Використовувати скороварку, щоб заощадити електроенергію та час.

ДЕКЛАРАЦІЯ ПРО ВІДПОВІДНІСТЬ

Цей прилад відповідає вимогам щодо екодизайну Регламенту ЄС 66/2014, вимогам щодо екодизайну для виробів, що споживають енергію, та Положенням про енергетичну інформацію (Поправка) (Вихід з ЄС) 2019 року, відповідно до європейського стандарту EN 30-2-1.

ТЕХНІЧНІ УМОВИ ПАЛЬНИКІВ І СОПЕЛ UA

КАТЕГОРІЯ II2H3+

Тип газу, що використовується	Тип конфорки	Маркування форсунки	Номинальна потужність теплового потоку кВт	Номинальне споживання	Номинальний обсяг споживання кВт	Тиск газу мбар		
						мін	ном.	макс.
ПРИРОДНИЙ ГАЗ (Метан) G20	Швидка (R)	128 B	3,00	286 л/год	0,70	17	20	25
	Напівшвидка (SR)	97	1,75	167 л/год	0,40			
	Допоміжна (AUX)	78 A	1,00	95 л/год	0,40			
	2-кільцева (DC)	141	4,00	381 л/год	2,20			
СКРАПЛЕНИЙ ГАЗ (Бутан) G30	Швидка (R)	87	3,00	218 г/год	0,70	20	28-30	35
	Напівшвидка (SR)	67	1,75	127 г/год	0,40			
	Допоміжна (AUX)	50	1,00	73 г/год	0,40			
	2-кільцева (DC)	94	3,70	269 г/год	2,20			
СКРАПЛЕНИЙ ГАЗ (Пропан) G31	Швидка (R)	87	3,00	214 г/год	0,70	25	37	45
	Напівшвидка (SR)	67	1,75	125 г/год	0,40			
	Допоміжна (AUX)	50	1,00	71 г/год	0,40			
	2-кільцева (DC)	94	3,70	264 г/год	2,20			

Тип газу, що використовується	Конфігурація моделі 5 КОНФОРКИ	Номинальна потужність теплового потоку (кВт)	Загальний номінальний обсяг споживання	Об'єм повітря (м ³), необхідний для спалювання 1 м ³ газу
G20 20 мбар	1R - 2SR - 1AUX - 1DC	11,50	1095 л/год	9,52
G30 28-30 мбар	1R - 2SR - 1AUX - 1DC	11,20	814 г/год	30,94
G31 37 мбар	1R - 2SR - 1AUX - 1DC	11,20	800 г/год	23,80

ДЖЕРЕЛО ЕЛЕКТРОЕНЕРГІЇ: 220-240В~50-60Гц-0,6Вт

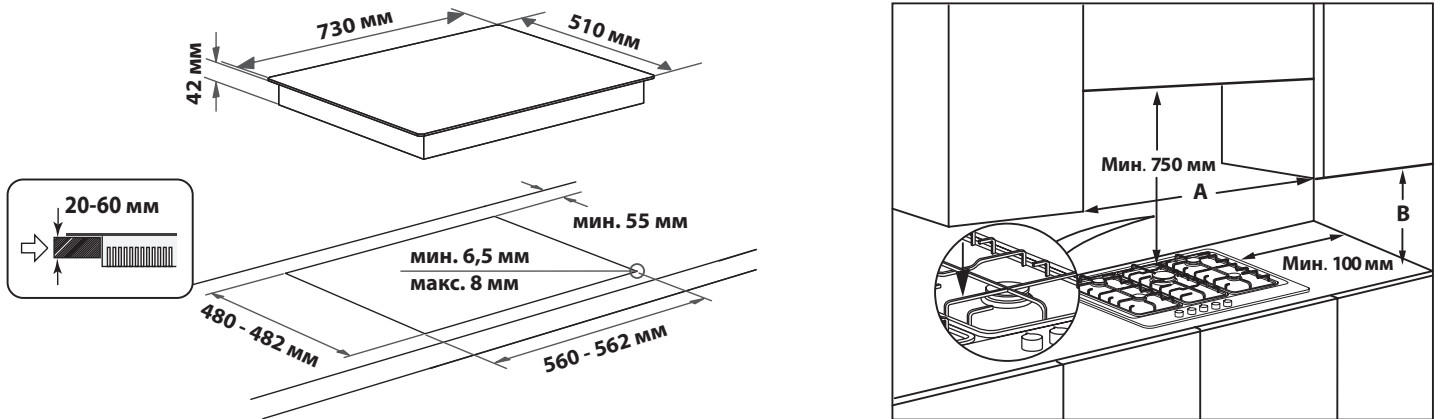


УСТАНОВЛЕННЯ (КЛАС 3)

ТЕХНІЧНА ІНФОРМАЦІЯ ДЛЯ МОНТАЖУ

- Під час обслуговування приладу, його підготовки до роботи та встановлення використовуйте захисні рукавиці.
- Для вбудування цього продукту підійдуть робочі поверхні завтовшки 20–60 мм.
- Якщо під варильною панеллю немає духової шафи, вставте піддон зонайменше такого ж розміру, як і отвір на робочій поверхні. Цей піддон слід розмістити максимум на 150 мм нижче верхньої частини робочої поверхні, але в жодному разі не ближче 20 мм від дна варильної панелі. Якщо ви плануєте встановлювати під варильною панеллю духову шафу, вона має бути оснащена системою охолодження.

РОЗМІРИ ТА ВІДСТАНІ, ЯКИХ СЛІД ДОТРИМУВАТИСЯ



ПРИМІТКА. Якщо відстань «А» між настінними шафами має значення в діапазоні від 600 до 730 мм, висота «Б» повинна мати значення принаймні 530 мм.

Якщо відстань «А» між настінними шафами більша за ширину варильної поверхні, висота «Б» повинна мати значення принаймні 400 мм. У разі встановлення витяжки над варильною панеллю див. інструкції виробника витяжки, щоб визначити правильну відстань.

МОНТАЖ

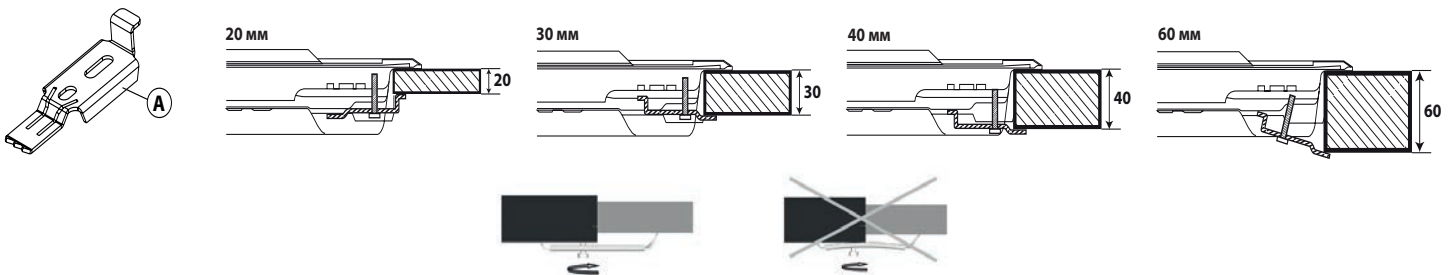
Очистивши поверхню по периметру, застосуйте до варильної панелі прокладку з комплекту постачання (див. рисунок).

Розмістіть варильну панель в отворі робочої поверхні, зробленого відповідно до вказаних у цих інструкціях розмірів.



ПРИМІТКА. Кабель живлення має бути достатньо довгим, щоб його можна було витягнути нагору.


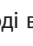
Закріпіть варильну панель за допомогою скоб (А), що входять до комплекту. Припасуйте скоби відповідно до отворів, як показано стрілками на малюнку, а тоді затягніть їх за допомогою шурупів відповідно до товщини робочої поверхні (див. малюнки нижче).

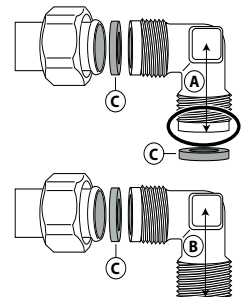


ПІДКЛЮЧЕННЯ ГАЗУ

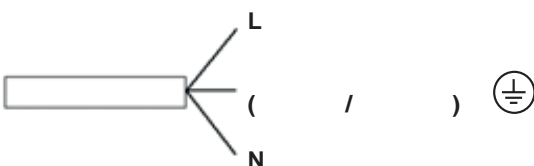
- З'єднайте колінчастий патрубок (А)* або (В)*, що входить до комплекту варильної панелі, з головною впускною трубою, поставивши між ними прокладку (С), що входить до комплекту та відповідає стандарту EN 549.

* Використовуйте патрубок А у Франції, а патрубок В для всіх інших країн.

- Підключивши варильну панель до газової мережі, за допомогою мильної води перевірте, чи немає витіку газу. Запаліть конфорки та поверніть відповідні ручки керування потужністю конфорок у максимальне , а тоді в мінімальне  положення, щоб перевірити рівномірність полум'я.



ЕЛЕКТРИЧНЕ ПІДКЛЮЧЕННЯ



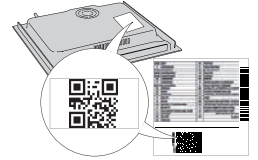
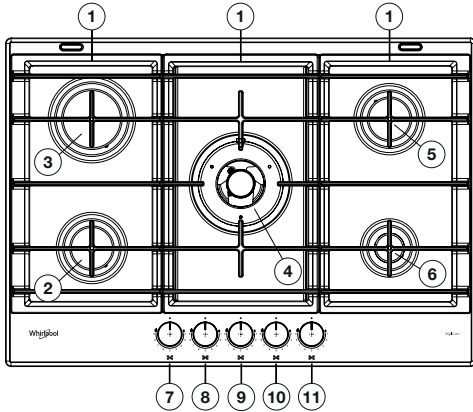
**ДЯКУЄМО ЗА ПРИДБАННЯ ВИРОБУ WHIRLPOOL**

Для отримання більш повної допомоги зареєструйте свій прилад на сайті www.whirlpool.eu/register.



Перед використанням пристрою уважно прочитайте інструкції з техніки безпеки.

ВІДСКАКУЙТЕ QR-КОД НА СВОЄМУ ПРИЛАДІ, ЩОБ ОТРИМАТИ ДОДАТКОВУ ІНФОРМАЦІЮ

**ОПИС ВИРОБУ**

1. Знімні решітки для каструль
2. Напівшвидка конфорка
3. Швидка конфорка
4. 2-кільцева конфорка
5. Напівшвидка конфорка
6. Допоміжна конфорка
7. Ручка керування потужністю напівшвидкої конфорки
8. Ручка керування потужністю швидкої конфорки
9. Ручка керування потужністю 2-кільцевої конфорки
10. Ручка керування потужністю напівшвидкої конфорки
11. Ручка керування потужністю допоміжної конфорки

Символи

- Зафарбований круг ● Перекритий кран
- Велике полум'я Максимальний отвір/подача й електричне запалювання
- Мале полум'я Мінімальний отвір і знижена подача

**ЩОДЕННЕ ВИКОРИСТАННЯ****ВИКОРИСТАННЯ ВАРИЛЬНОЇ ПАНЕЛІ**

Регулюйте потужність полум'я конфорки так, щоб воно не виходило за межі сковороди або каструлі.

ВАЖЛИВО! під час використання варильної панелі може нагріватися вся її поверхня.

- Щоб запалити одну з конфорок, поверніть відповідну ручку проти годинникової стрілки до позначки максимального полум'я.
- Притисніть ручку до панелі керування, щоб запалити конфорку.
- Утримуйте ручку натиснутою впродовж 5–10 секунд після запалювання конфорки, щоб прилад запрацював належним чином.
- Захисний механізм цієї конфорки вимикає подачу газу на конфорку, якщо полум'я раптом зникає (через несподіваний протяг, перебої в подачі газу, википання рідини тощо).
- Не рекомендовано утримувати ручку натиснутою понад 15 секунд. Якщо і після цього періоду часу конфорка не запалиться, зачекайте хвилину, перш ніж спробувати запалити її ще раз.**

ПРИМІТКА. Якщо через певні місцеві умови та якість подачі газу виникають труднощі із запаленням конфорок, рекомендовано повторити спробу запалювання, повернувши ручку керування потужністю конфорки до позначки малого полум'я.

Полум'я конфорки може згаснути, якщо відпустити ручку. Це означає, що захисний механізм недостатньо прогрівся. У такому разі повторіть перелічені вище дії.

Якщо полум'я випадково згасло, вимкніть газ ручкою регулювання та зачекайте приблизно 1 хвилину перед тим як запалювати його знову.

ПРАКТИЧНІ ПОРАДИ З ВИКОРИСТАННЯ КОНФОРОК

Ця варильна панель має конфорки різного діаметру. Щоб ефективніше використовувати конфорки, радимо:

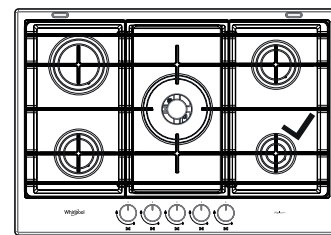
- використовувати каструлі та сковороди, дно яких має такий самий або трохи більший діаметр, як і конфорки (див. таблицю праворуч);
- використовувати тільки каструлі та сковороди з плоским дном;
- використовувати правильну кількість води для приготування страв і накривати каструлі кришками;
- стежити, щоб каструлі на решітці не виступали за межі варильної панелі;
- (для сковорід із випуклим дном – вок) використовувати допоміжну решітку, яку слід розташувати тільки над багатокільцевою конфоркою;
- уникайте випадкових ударів каструлями, ґратками або іншою кухонними начинням;
- Не залишайте порожні сковороди для барбекю на увімкненій конфорці більше 5 хвилин.

ВАЖЛИВО! Неправильне використання решіток може призвести до пошкодження варильної панелі. Не ставте решітку догори дном і не тягніть її по варильній панелі.

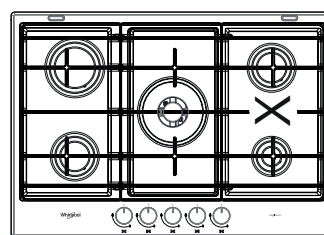
КОНФОРКА	Ø КАСТРУЛІ
2-кільцева	Від 24 до 26 см
Швидка	Від 24 до 26 см
Напівшвидка	Від 16 до 22 см
Допоміжна	Від 8 до 14 см

Не використовуйте:

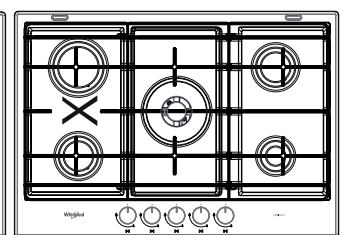
- чавунні, керамічні та виготовлені з натурального каміння каструлі та сковороди;
- пристрої для рівномірного розсіювання полум'я (наприклад, металева сітка тощо);
- одночасно дві конфорки для однієї посудини (наприклад, довга посудина для приготування риби).

ПРАВИЛЬНЕ РОЗТАШУВАННЯ СІТКИ

OK



NO



NO

НАЛАШТУВАННЯ ВАРИЛЬНОЇ ПАНЕЛІ ВІДПОВІДНО ДО ІНШОГО ТИПУ ГАЗУ

⚠ Лише кваліфікований майстер повинен проводити цю процедуру.

Якщо на варильну панель постачатиметься інший тип газу, ніж вказано в таблиці технічних даних і на інформаційній етикетці на самій поверхні панелі, змініть форсунки. Зніміть інформаційну етикетку та зберігайте її в посібнику з інструкціями.

Використовуйте регулятори тиску, сумісні з показниками тиску газу, вказаними в цих інструкціях:

- Лише працівники центру післяпродажного обслуговування або кваліфіковані фахівці повинні замінювати газові форсунки.
- Форсунки, які не входять до комплекту постачання, слід замовляти в центрі післяпродажного обслуговування.
- Установіть для кранів подачі газу мінімальне значення.

ПРИМІТКА. У разі використання зрідженого нафтового газу (G30/G31) гвинт регулювання мінімального значення потрібно максимально закрити.

ВАЖЛИВО! У разі виникнення труднощів з поверненням ручок керування потужністю конфорок, зверніться до центру післяпродажного обслуговування, щоб замінити несправний кран конфорки.

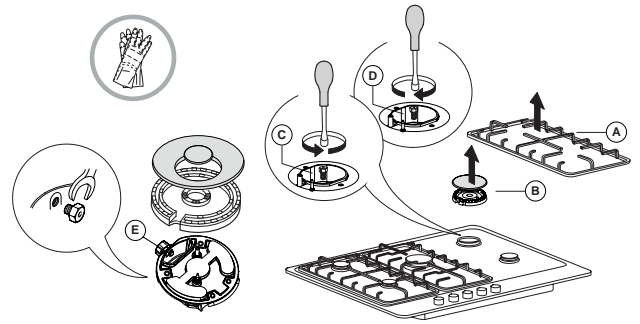
ВАЖЛИВО! Переконайтеся, що газовий балон або ємність із газом розміщуються належним чином (у вертикальному положенні), а вже потім підключайте до них варильну панель.

ВАЖЛИВО! Переконайтеся, що газовий балон або ємність із газом розміщуються належним чином (у вертикальному положенні), а вже потім підключайте до них варильну панель.

ЗАМІНА ФОРСУНОК (див. Таблицю форсунок в Інструкціях з техніки безпеки)

⚠ Лише кваліфікований майстер повинен проводити цю процедуру.

- Зніміть решітки (A).
- Витягніть конфорки (B).
- За допомогою торцевого ключа відповідного розміру розкрутіть форсунку (C) яку потрібно замінити.
- Замініть її на форсунку, придатну для нового типу газу.
- Вмонтуйте форсунку (D).
- Якщо конфорка має декілька коронок, замінить форсунку за допомогою бічного гайкового ключа (E).



Перш ніж установлювати варильну панель, не забудьте прикріпити табличку калібрування газу, що постачається з форсунками, щоб вона відповідала фактичним даним про калібрування подачі газу.

НАЛАШТУВАННЯ КРАНІВ НА МІНІМАЛЬНУ ПОДАЧУ ГАЗУ

⚠ Лише кваліфікований майстер повинен проводити цю процедуру.

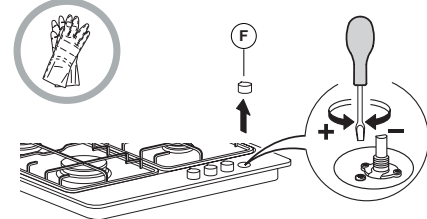
Налаштовувати подачу газу потрібно тоді, коли кран знаходиться в положенні мінімальної подачі (маленьке полум'я).

Первинне повітря в конфорках налаштовувати не потрібно.

Щоб пересвідчитися в правильному налаштуванні мінімальної подачі газу, зніміть ручку керування потужністю конфорки (F) та виконайте перелічені нижче дії:

- Закрутіть гвинт, щоб зменшити висоту полум'я (-);
- Послабте гвинт, щоб збільшити висоту полум'я (+).

На цьому етапі запаліть конфорку та поверніть ручку керування потужністю конфорки на максимальне (велике полум'я), а тоді на мінімальне (маленьке полум'я) значення, щоб перевірити рівномірність полум'я.




Завершивши налаштування, запечатайте необхідні ділянки за допомогою сургучу або аналогічного матеріалу.

ТАБЛИЦЯ ПРИГОТУВАННЯ

РІВЕНЬ	МЕТОД/СПОСІБ ГОТУВАННЯ (РЕКОМЕНДУЄТЬСЯ ДЛЯ)	ПОРАДИ ЩОДО ПРИГОТУВАННЯ
1-2	ПІДТРИМАННЯ ТЕПЛА	Підходить для пом'якшення масла, повільного топлення шоколаду на водяній бані, розморожування дрібних порцій, заправки різонуті соусом.
	БЕРЕЖНЕ ПРИГОТУВАННЯ	
3-4	ПОВІЛЬНЕ КИПІННЯ	Підходить для приготування на повільному вогні (рис, соуси, печеня, риба) з використанням рідин (наприклад, з водою, вином, бульйоном), заправки макаронів соусом та підтримання повільного кипіння.
	ТУШКУВАННЯ	
5-6	СМАЖЕННЯ	Підходить для пасерування, тушкування овочів, приготування протягом тривалого часу, розігрівання посуду, розварювання.
	ТРИВАЄ ЗАЖАРЮВАННЯ	
7-8	СТІР-ФРАЙ	Підходить для підрум'янювання, початкової стадії приготування, швидкого доведення рідин до кипіння, смаження продуктів глибокої заморозки, приготування на грилі м'яса і риби, підтримання інтенсивного кипіння.
	ГРИЛЬ	
9	ШВИДКЕ НАГРІВАННЯ	Підходить для швидкого підігрівання страв або швидкого нагрівання рідин (води).

ОЧИЩЕННЯ І ОБСЛУГОВУВАННЯ

 Від'єднайте прилад від джерела живлення.

ОЧИЩЕННЯ ПОВЕРХНІ ВАРИЛЬНОЇ ПАНЕЛІ

- Усі емальовані та скляні частини слід очищувати теплою водою та нейтральним розчином.
- Під час тривалого контакту з вапнистою водою або абразивними миючими засобами на поверхнях із нержавіючої сталі можуть виникнути плями. Пролиту рідину (вода, соус, кава тощо) слід витирати одразу, ще до того, як вона засохне.
- Очищувати панель потрібно теплою водою та нейтральним миючим засобом, а тоді витирати насухо за допомогою м'якої тканини чи замші. Бруд від припалених решток їжі видаляйте за допомогою спеціальних очисників для поверхонь із нержавіючої сталі.

ПРИМІТКА. Нержавіючу сталь слід чистити тільки за допомогою м'якої тканини або губки.

- Не використовуйте абразивні чи їдкі матеріали, очисники на основі хлору або металеві щітки.
- Ніколи не застосовуйте пристрої, у яких для очищення використовується пара.
- Не використовуйте займісті продукти.
- Не залишайте кислотні або лужні речовини, наприклад оцет, гірчицю, сіль, цукор чи лимонний сік на варильній панелі.

ОЧИЩЕННЯ ЧАСТИН ВАРИЛЬНОЇ ПАНЕЛІ

- Чистьте скляні й емальовані частини лише за допомогою м'якої тканини чи губки.
- Решітки, кришки конфорок і конфорки можна також зняти, щоб почистити їх.
- Очистьте їх вручну за допомогою теплої води з неабразивним миючим засобом, видаляючи будь-які рештки їжі. Перевірте, чи жоден з отворів конфорки не забився.
- Промийте та висушіть їх.
- **Чавунну решітку можна мити в посудомийній машині. Перед тим, як помістити решітки в низ посудомийної машини, видаліть рештки їжі, що пригоріла.**
- Вставте конфорки у відповідні гнізда та належним чином накрийте конфорки кришками.
- Ставлячи на місце решітку, переконайтеся, що місце для каструлі збігається з конфоркою.
- Для забезпечення справної роботи на моделях, що містять поршень електричного запалювання та захисний механізм, слід ретельно очищати край поршня. Часто перевіряйте ці елементи, а в разі необхідності чистьте їх вологою тканиною. Будь-які припалені рештки їжі слід видалити за допомогою зубочистки або голки.

ПРИМІТКА. Щоб не пошкодити пристрій електричного запалювання, не використовуйте його, коли конфорки знаходяться не на своїх місцях.

ПОСІБНИК З УСУНЕННЯ НЕСПРАВНОСТЕЙ

Якщо варильна панель працює неналежним чином, перш ніж звертатися до центру післяпродажного обслуговування, перегляньте "Посібник з усунення несправностей", щоб визначити проблему.

1. Конфорка не запалюється або полум'я нерівномірне

Перевірте, чи:

- не перекрита подача газу та джерело живлення, а особливо, чи відкритий кран подачі газу;
- газовий балон (зріджений газ) не порожній;
- не забиті отвори конфорки;
- не забруднена вилка розетки;
- усі частини конфорки розташовані правильно;
- біля варильної панелі немає протягів.

2. Конфорка гасне

Перевірте, чи:

- під час запалювання конфорки ви протягом тривалого часу утримували натиснутою ручку керування потужністю конфорки, щоб активувати захисний механізм;
- не забиті отвори конфорки біля термопари;
- не забруднено край захисного механізму;
- правильно налаштовано мінімальну подачу газу (див. відповідний розділ).

3. Резервуари конфорки нестабільні

Перевірте, чи:

- дно резервуара ідеально рівне;
- резервуар розміщено на конфорці рівно по центру;
- не переплутано місця решіток і їх правильно встановлено.

Якщо після вищевказаних перевірок несправність не зникає, зверніться до найближчого центру післяпродажного обслуговування.

ПІСЛЯПРОДАЖНЕ ОБСЛУГОВУВАННЯ

Для отримання більш повної допомоги зареєструйте свій прилад на сайті www.whirlpool.eu/register.

ПЕРШ НІЖ ЗВЕРТАТИСЯ ДО ЦЕНТРУ ПІСЛЯПРОДАЖНОГО ОБСЛУГОВУВАННЯ, ВИКОНАЙТЕ НАВЕДЕНІ НИЖЧЕ ДІЇ:

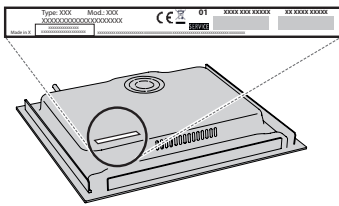
1. Перевірте, чи можна вирішити проблему самостійно за допомогою порад, наведених у розділі **ПОСІБНИК ІЗ УСУНЕННЯ НЕСПРАВНОСТЕЙ**.
2. Вимкніть прилад і знову увімкніть його, щоб перевірити, чи несправність залишається.

ЯКЩО ПІСЛЯ ВИЩЕВКАЗАНОЇ ПЕРЕВІРКИ НЕСПРАВНІСТЬ НЕ ЗНИКНЕ, ЗВЕРНІТЬСЯ ДО НАЙБЛИЖЧОГО ЦЕНТРУ ПІСЛЯПРОДАЖНОГО ОБСЛУГОВУВАННЯ.

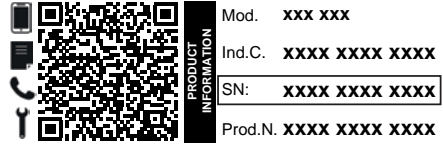
Щоб отримати допомогу, зверніться за номером, що вказаний у гарантійному талоні, або дотримуйтеся інструкцій на сайті www.whirlpool.eu.

Під час зв'язку з нашим Сервісом післяпродажного обслуговування завжди уточнюйте:

- короткий опис несправності;
- тип і точну модель приладу;



- серійний номер (номер після слова SN на паспортній табличці, розташованій під приладом). Серійний номер вказаний також у документації;



- повна адреса вашого місця проживання;
- ваш номер телефону.

Якщо потрібен ремонт, зверніться в авторизований центр післяпродажного обслуговування (щоб гарантувати, що будуть використані оригінальні запчастини та ремонт буде виконано правильно).

З правилами, стандартною документацією та додатковою інформацією про виріб можна ознайомитися наступним чином:

- за допомогою QR-коду на вашому побутовому приладі;
- відвідавши наш веб-сайт docs.whirlpool.eu/docs;
- або **звернувшись до нашого центру післяпродажного обслуговування клієнтів** (номер телефону зазначено у гарантійному талоні). Звертаючись до центру післяпродажного обслуговування, повідомте коди, зазначені на табличці з паспортними даними виробу.



الملائمة لأنواع المختلفة للغاز

(ينبغي إجراء هذه العملية بواسطة فني مؤهل).

⚠ لغرض تهيئة الجهاز مع نوع غاز آخر يختلف عن النوع المقرر من قبل الجهة الصانعة (موضح على لوحة الصنع)، قم بمراعاة الخطوات الواردة بعد الرسومات الموضحة للتركيب.

التحذيرات الكهربائية

⚠ هام: معلومات بشأن استهلاك التيار والجهد الكهربائي مذكورة بلوحة التصنيف.

⚠ يجب أن يكون كابل الكهرباء طويلاً بما يكفي لتوصيل الجهاز بمصدر الكهرباء عند تركيبه في موضعه. لا تسحب كابل الإمداد بالكهرباء.

⚠ يجب إتاحة فصل الجهاز من مصدر الكهرباء بنزع القابس إن أمكن الوصول إليه، أو باستخدام مفتاح متعدد الأقطاب ومركب عند المقبس بالتوافق مع قواعد التوصيل، ويجب أن يكون الجهاز مؤمناً، بالتوافق مع مواصفات الأمان الكهربائية المحلية.

⚠ لا تستخدم أسلاك التمديد، أو المقابس متعددة التوصيلات أو المهايئات. يجب ألا تكون الأجزاء الكهربائية في متناول المستخدم بعد التركيب. لا تستخدم الجهاز وأنت مبلل أو حاف القدمين. لا تقم بتشغيل هذا الجهاز إذا كان هناك تلف في كابل أو قابس الكهرباء، أو إذا لم يكن يعمل بشكل سليم، أو إذا كان تالفاً، أو إذا سقط على الأرض.

⚠ إذا لحق أي تلف بسلك التوصيل يجب استبداله عن طريق جهة الصنع أو وكيل الصيانة التابع لها أو أي شخص مؤهل بنفس الدرجة وذلك لتجنب المخاطر - خطر التعرض لصدمة كهربائية.

التنظيف والصيانة

⚠ تحذير: تأكد من إيقاف الجهاز ومن فصله عن مصدر الكهرباء قبل إجراء أية أعمال صيانة، لا تستخدم أبداً أجهزة التنظيف البخار - خطر الصعق الكهربائي.

⚠ لا تستخدم منتجات أكالة أو كاشطة أو منظفات كلورية أو مسحوق تنظيف الأواني.

⚠ لتجنب تعرض جهاز الإشعاع الكهربي للتلوث، لا تستخدمه إذا كانت الشعلات ليست في مكانها.

التخلص من مواد التغليف

مواد التغليف قابلة لإعادة التدوير بنسبة 100% ومميزة برمز إعادة التدوير ♻️. لذا، يجب التخلص من أجزاء التغليف المختلفة بطريقة مسؤولة وبالتوافق التام مع تشريعات السلطات المحلية بخصوص التخلص من النفايات.

تكهين الأجهزة المنزلية

تم تصنيع هذا الجهاز باستخدام مواد قابلة لإعادة التدوير أو إعادة الاستخدام. تخلص منه وفقاً للوائح المحلية الخاصة بالتخلص من المخلفات. لمزيد من المعلومات حول المعالجة والاسترداد وإعادة التدوير للأجهزة الكهربائية المنزلية، اتصل بالجهة المحلية المختصة أو خدمة جمع النفايات المنزلية أو المتجر الذي اشترت منه الجهاز. هذا الجهاز مميّز حسب المواصفة الأوروبية 2012/EU، والأجهزة الكهربائية والإلكترونية القديمة (WEEE) ومع تشريعات الأجهزة الكهربائية والإلكترونية القديمة 2013 (وتعدلاتها).

من خلال التأكد من التخلص من هذا المنتج بالطريقة الصحيحة سوف تساعد في منع النتائج السلبية على البيئة وصحة الإنسان.

يشير الرمز ♻️ الموجود على المنتج أو على المستندات المرافقة للمنتج إلى أنه لا ينبغي التعامل مع هذا المنتج على أنه من المخلفات المنزلية، ولكن يجب تسليمه إلى مركز تجميع ملانم لإعادة تدوير الأجهزة الكهربائية والإلكترونية.

نصائح توفير الطاقة

استخدم الأواني والقدر التي لها قاعدة بعرض مساو لنطاق الطهي.

اقتصر على استخدام الأواني والقدر ذات القواعد المستوية.

اترك أغطية الأوعية باستمرار فوقها أثناء الطهي إذا أمكن.

استخدم طنجرة (حلة) الضغط لتوفير مزيد من الطاقة والوقت.

بيان المطابقة

هذا الجهاز يطابق متطلبات التصميم الاقتصادي للتشريع الأوروبي 66/2014 وتشريعات التصميم الاقتصادي للمنتجات المرتبطة بالطاقة والمعلومات (المعدلة) (UE Exit) 2019، بالتوافق مع المواصفة الأوروبية EN 30-2-1.

⚠ يُراعى أن الغاز البترولي المسال يهبط إلى الأرض لأنه أكثر كثافة من الهواء. ولذلك يجب أن تشمل الغرفة المزودة بأسطوانات غاز مسال على فتحات للسماح بتصريف الغاز عند وقوع تسريب. وبناءً عليه فإنه يحظر تثبيت أسطوانات الغاز المسال، سواء كانت مملوءة جزئياً أو كلياً، أو حفظها في الغرفة أو مناطق التخزين الموجودة أسفل مستوى الأرض (كالسرايب مثلاً). ننصح بإبقاء أسطوانة الغاز المراد استخدامها فقط في الغرفة ووضعها بحيث لا تكون معرضة للسخونة الناتجة عن مصادر الحرارة الخارجية (الأفران والدفابات والمواقف) التي قد ترفع درجة حرارة الأسطوانة إلى أعلى من 50°م.

إذا واجهتك صعوبة في تدوير مقابض الشعلات، فيرجى الاتصال بخدمة ما بعد البيع لتغيير محبس الشعلات إن كان به خلل. لا يجب أبداً تغطية الفتحات المستخدمة للتهوية وتصريف الحرارة.

⚠ قم بتنفيذ جميع أعمال قطع الخزانة قبل تركيب الجهاز في المبيت وتخلص بعناية من جميع الرقاقت الخشبية ونشارة الخشب.

⚠ إذا لم يتم تركيب الجهاز فوق فرن، فيجب تركيب لوح فاصل (غير مورد) في الجزء الموجود أسفل الجهاز.

وصلة الغاز

⚠ تحذير: قبل التركيب، تأكد من أن شروط التوزيع المحلية (نوع الغاز وضغط الغاز) ومن أن تهيئة الجهاز متوافقة.

⚠ تحقق من أن ضغط إمداد الغاز يتوافق مع القيم المشار إليها في الجدول "مواصفات الشعلة".

⚠ تحذير: شروط التهيئة الخاصة بهذا الجهاز مذكورة على الملصق (أو لوحة البيانات).

⚠ تحذير: هذا الجهاز غير متصل بتجهيزة لإزالة نواتج الاحتراق. ويجب تركيبه وتوصيله وفقاً للوائح التركيب المتبعة. يجب الانتباه جيداً للمتطلبات الخاصة بالتهوية.

⚠ في حالة توصيل الجهاز بالغاز المسال، فيجب تثبيت برغي الضبط وإحكامه قدر الإمكان.

⚠ مهم: عند تركيب أسطوانة الغاز أو حاوية الغاز، يجب تثبيتها بشكل صحيح (الاتجاه الرأسي).

⚠ تحذير: يجب أن تتم هذه العملية بمعرفة فني معتمد.

⚠ اقتصر على استخدام خرطوم معدني مرن أو صلد لوصلة الغاز.

⚠ التوصيل باستخدام أنبوب صلب (نحاس أو فولاذ) يجب أن يتم التوصيل بنظام الغاز على النحو الذي يحمي الجهاز من التعرض لأي ضغط أو إجهاد. يوجد تجهيزة أنبوبية شكل L قابلة للضبط بمجرى إمداد الجهاز وهي مزودة بإطار إحكام لمنع التسريبات. ويجب تغيير إطار الإحكام دائماً بعد تدوير التجهيزة الأنبوبية (يتم توريد إطار الإحكام مع الجهاز). التجهيزة الأنبوبية لإمداد الغاز عبارة عن ملحق إدخال أسطواني ملولب 2/1 بوصة.

⚠ توصيل أنبوب مرن خال من الوصلات ومصنوع من الاستانلس ستيل بالملح الملولب. التجهيزة الأنبوبية لإمداد الغاز عبارة عن ملحق إدخال أسطواني ملولب 2/1 بوصة. يجب تركيب هذه الأنابيب بحيث لا يتعدى طولها 2000 مم وهي ممدودة بالكامل. بمجرد أن يتم التوصيل تأكد أن الأنبوب المعدني المرن لا يلامس الأجزاء المتحركة وغير معرض للضغط. اقتصر على استخدام الأنابيب وإطارات الإحكام التي تتوافق مع التشريعات المحلية المعمول بها.

⚠ هام: في حالة استخدام خرطوم استانلس ستيل، فيجب تركيبه بحيث لا يلامس أي جزء متحرك من قطع الأثاث (مثل الأدرج). ويجب أن يمر عبر منطقة خالية من العوائق تتيح فحصه بكامل طوله.

⚠ يلزم توصيل الجهاز بمصدر الغاز الرئيسي أو بأسطوانة غاز بالتوافق مع التشريعات المحلية المعمول بها. قبل القيام بالتوصيل يجب التأكد من توافق الجهاز مع مصدر الغاز المراد استخدامه. وإن لم يكن الوضع كذلك، اتبع التعليمات الواردة في فقرة "المواءمة مع نوع غاز آخر".

⚠ بعد التوصيل بمصدر الغاز، تحقق من عدم وجود تسريبات باستخدام ماء صابوني. قم بإشعال الشعلات وأدر المفاتيح من الوضع الأقصى 1* إلى الوضع الأدنى 2* للتحقق من ثبات اللهب.

من المهم قراءتها والالتزام بها

⚠ تنبيه: الجهاز غير مخصص للاستخدام عن طريق جهاز تشغيل خارجي، مثل الميقاتي أو نظام تشغيل عن بعد مستقل.

⚠ هذا الجهاز مخصص للاستخدام في الأغراض المنزلية وما شابهها مثل: منطقة المطبخ في المحلات والمكاتب وبيئات العمل الأخرى، البيوت الريفية، ومن قبل نزلاء الفنادق والموتيلات والفنادق الصغيرة والبيئات الأخرى ذات الطابع السكني.

⚠ ولا يُسمح باستخدامه في أي أغراض أخرى (مثلا تدفئة الغرف).
⚠ هذا الجهاز غير مخصص للاستخدام التجاري. لا تستخدم الجهاز في الهواء الطلق.

⚠ استخدم الأواني والقدر التي لها نفس عرض الشعلات أو التي تزيد قليلا عنه (انظر الجدول المعني). تأكد أن الأوعية المستندة على دعائم لا تبرز خارج حافة الموقد.

⚠ الاستخدام غير الصحيح للشبكات يمكن أن يؤدي إلى إلحاق ضرر بالموقد: لا تضع الشبكات بشكل مقلوب أو تحركها على الموقد.
لا تترك لهب الشعلة يتجاوز حافة الوعاء.

لا تستخدم: الشواريب المصنوعة من الحديد المسبوك والأواني الخزفية والأوعية والأواني المصنوعة من التراكوتا. ناشرات السخونة، مثل الشبكات المعنوية، أو أية أنواع أخرى. شعلتين في نفس الوقت لوعاء واحد (على سبيل المثال غلاية الأسماك).

إذا كانت هناك ظروف محلية خاصة تعيق اشتعال الغاز المسحوب بسهولة، فيُنصح بإعادة التشغيل باستخدام المفتاح مع إدارته إلى إعداد اللهب الصغير.

في حالة تركيب شفاط فوق سطح الطهي، فيرجى الرجوع إلى تعليمات الموقد لمعرفة المسافة الصحيحة.
تمثل القدم المطاطية الواقية المثبتة على الشبكات خطر اختناق الأطفال الصغار. بعد خلع الشبكات، يرجى التأكد من تركيب القدم بالكامل بشكل صحيح.

التركيب

⚠ يجب نقل الجهاز وتركيبه بواسطة شخصين على الأقل - خطر الإصابة. استخدم قفازات واقية لإخراج الجهاز من العبوة ولتركيبه - خطر الإصابة بجروح قطعية.

⚠ يجب أن تكون وصلات الكهرباء والغاز متوائمة مع التشريعات المحلية.

⚠ يجب إجراء عمليات التركيب بما فيها الإمداد بالماء (إذا كان موجودا) والتوصيلات الكهربائية والإصلاح بواسطة فني مؤهل. لا تقم بإصلاح أو استبدال أي جزء من أجزاء الجهاز ما لم ينص على ذلك بصفة خاصة في دليل الاستخدام. أبعد الأطفال عن موقع التركيب. بعد إخراج الجهاز من عبوته، تحقق من عدم تضرره أثناء النقل. في حالة وجود مشاكل، اتصل بالوكيل أو أقرب مركز لخدمة ما بعد البيع. بعد الانتهاء من أعمال التركيب، يجب تخزين مخلفات التغليف (البلاستيك وقطع الستايروفوم إلخ) بعيدا عن متناول الأطفال - خطر الاختناق.

يجب فصل الجهاز عن مصدر الكهرباء قبل التركيب - خطر التعرض لصدمة كهربائية. أثناء التركيب، تحقق من عدم تلف كابل الكهرباء الخاص بالجهاز - خطر الحريق أو صاعقة كهربائية. لا تقم بتشغيل الجهاز إلا بعد اكتمال إجراءات التركيب.

⚠ تحذير: تعديل الجهاز وطريقة تركيبه من الأمور الهامة لاستخدام الجهاز بصورة آمنة وصحيحة في جميع البلدان الأخرى.

⚠ استخدم منظّمت ضغط مناسبة لضغط الغاز الموضح في التعليمات
⚠ يجب أن تكون الغرفة مجهزة بنظام شفط الهواء الذي يساهم في تصريف أدخنة الاحتراق.

⚠ ويجب أن تتيح الغرفة حرية تدوير الهواء على النحو السليم، إذ يلزم وجود الهواء لحدوث الاحتراق بشكل صحيح. يجب ألا يقل تدفق الهواء عن 2 متر³/ساعة لكل كيلو واط من القدرة المقررة.

⚠ يمكن لنظام تدوير الهواء أن يسحب الهواء من الخارج مباشرة عن طريق أنبوب بمقطع عرضي خارجي لا يقل عن 100 سم²، يجب ألا تكون الفتحة عرضة لأي نوع من الانسدادات.

⚠ ويمكن للنظام أيضا توفير الهواء اللازم للاحتراق بشكل غير مباشر، أي من خلال الغرف المجاورة المجهزة بأنابيب تدوير الهواء كما هو موضح أعلاه. إلا أنه يجب ألا تكون هذه الغرف هي المخصصة للمعيشة أو النوم أو التي يوجد بها خطر نشوب حريق.

⚠ يجب ألا يتم ترك الطعام داخل المنتج أو عليه لمدة تزيد على ساعة واحدة قبل أو بعد الطهي.

⚠ استخدم المسموح به

⚠ تسري هذه التعليمات في حالة ظهور رمز البلد على الجهاز. إذا لم يظهر الرمز على الجهاز، يتعين عليك الرجوع إلى التعليمات الفنية التي توفر الإرشادات الضرورية المتعلقة بإجراء التعديلات على الجهاز ليتواءم مع ظروف الاستخدام في البلد.

⚠ تنبيه: ينتج عن استخدام جهاز الطهي الغازي توليد حرارة ورطوبة ونواتج احتراق في الغرفة المثبت بها. تأكد من توفر تهوية جيدة بالمطبخ، وخاصة عند استخدام الجهاز: اترك فتحات التهوية الطبيعية مفتوحة أو قم بتركيب جهاز تهوية ميكانيكي (شفاط أبخرة ميكانيكي). الاستخدام المكثف لفترات طويلة للجهاز قد يتطلب تهوية إضافية، مثل فتح النافذة، أو مزيد من التهوية الأكثر فعالية، على سبيل المثال زيادة مستوى التهوية الميكانيكية (إذا أمكن ذلك).

⚠ عدم اتباع المعلومات الموضحة بهذا الدليل بدقة قد ينتج عنه نشوب حريق أو انفجار، مما يتسبب في تلف الممتلكات أو إصابة الأفراد.

اقرأ تعليمات السلامة هذه قبل استخدام الجهاز. واحتفظ بها في مكان قريب للرجوع إليها مستقبلاً.

تقدم هذه التعليمات والجهاز نفسه تحذيرات هامة خاصة بالسلامة يجب مراعاتها في جميع الأوقات. لا تتحمل الجهة الصانعة أي مسؤولية ناجمة عن عدم مراعاة تعليمات السلامة هذه، أو استخدام الجهاز بطريقة غير سليمة، أو ضبط عناصر التحكم بطريقة غير صحيحة.

⚠ تحذير: في حالة تشقق سطح الموقد، لا تستخدم الجهاز - خطر الصعق الكهربائي.

⚠ تحذير: خطر نشوب حريق: لا تقوم بتخزين أشياء على أسطح الطهي.

⚠ تنبيه: يجب مراقبة عملية الطهي. يجب أيضا مراقبة عمليات الطهي القصيرة بصفة مستمرة.

⚠ تحذير: طهي أطعمة تحتوي على دهون أو زيوت على الموقد دون مراقبة يمكن أن يكون خطيرا - خطر نشوب حريق. لا تحاول أبدا إطفاء اللهب في هذه الحالة باستخدام الماء، بل أطفئ الجهاز ثم قم بتغطية اللهب بغطاء أو ببطانية إطفاء حريق.

⚠ لا تستخدم الموقد كسطح عمل أو كسطح ارتكاز. احتفظ بالملايس والمواد الأخرى القابلة للاشتعال بعيدا عن الجهاز إلى أن تبرد جميع الأجزاء تماما - خطر نشوب حريق.

⚠ يجب إبقاء الأطفال الصغار (0-3 سنوات) بعيدا عن الجهاز. يجب إبقاء الأطفال (3-8 سنوات) بعيدا عن الجهاز إلا في حالة الإشراف المستمر عليهم. يمكن استخدام هذا الجهاز من قبل الأطفال بدءا من عمر 8 سنوات فأكثر والأشخاص الذين يعانون من نقص في القدرات البدنية أو الحسية أو العقلية أو الأشخاص الذين يفتقرون إلى الخبرة والمعرفة، شريطة أن يتم مراقبتهم أو توجيههم إلى كيفية استخدام الجهاز بطريقة آمنة واستيعابهم للأخطار التي ينطوي عليها ذلك. يجب ألا يعيب الأطفال بهذا الجهاز. يحظر على الأطفال تنظيف الجهاز وصيانته دون إشراف.

⚠ تنبيه: في حالة تحطم قرص زجاجي ساخن: قم بإطفاء كافة الشعلات على الفور وكذلك أي عنصر تسخين كهربائي، بالإضافة إلى فصل الجهاز عن مصدر الإمداد بالطاقة، لا تقم بلمس سطح الجهاز، لا تستخدم الجهاز.

قد يتلف الغطاء الزجاجي في حالة تسخينه. قبل غلق الغطاء قم بإطفاء كافة الشعلات والألواح الكهربائية. لا تغلق الغطاء بينما الشعلات مشغلة.

⚠ تحذير: يسخن الجهاز وأجزاؤه التي يمكن الوصول إليها أثناء الاستخدام. يجب توخي الانتباه لتجنب ملامسة عناصر التسخين. يجب إبعاد الأطفال دون سن 8 سنوات إلا إذا كانت هناك ملاحظة وإشراف دائم عليهم.

⚠ يجب ألا يتم ترك الطعام داخل المنتج أو عليه لمدة تزيد على ساعة واحدة قبل أو بعد الطهي.

⚠ استخدم المسموح به

⚠ يجب ألا يتم ترك الطعام داخل المنتج أو عليه لمدة تزيد على ساعة واحدة قبل أو بعد الطهي.

⚠ استخدم المسموح به

⚠ يجب ألا يتم ترك الطعام داخل المنتج أو عليه لمدة تزيد على ساعة واحدة قبل أو بعد الطهي.

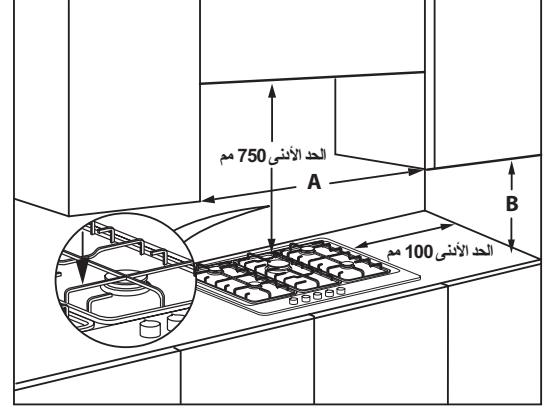
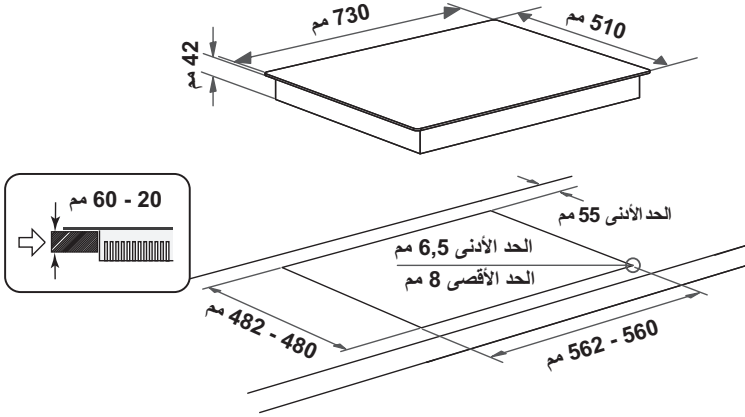
⚠ استخدم المسموح به

التوصيل الكهربائي (الفئة 3)

معلومات فنية لمن يقوم بتركيب الجهاز

- استخدم القفازات الواقية من أجل التعامل مع هذا المنتج وتجهيزه وتركيبه.
- يمكن وضع هذا المنتج في طاولة عمل بسطح سمكه 20 إلى 60 مم.
- في حالة عدم وجود فرن أسفل الموقد، أدخل لوحة فاصلة سطحها يساوي على الأقل الفتحة الموجودة في سطح العمل. يجب أن توضع هذه اللوحة على مسافة ال تزيد عن 150 مم أسفل السطح العلوي لسطح العمل، على ال تقل عن 20 مم من الجانب السفلي للموقد بأي حال من الأحوال. إذا كنت تنوي تركيب فرن أسفل الموقد، فتأكد من أنه مزود بنظام تبريد.

الأبعاد والمسافات التي يجب مراعاتها



ملاحظة: إذا كانت المسافة هي «A» بين خزان الحائط بين 600 مم و 730 ملم ، يجب أن يكون الارتفاع الحد الأدنى من 530 ملم. إذا كانت المسافة «A» بين خزان الحائط أكبر من عرض الفرن ، يجب أن يكون الارتفاع «B» الحد الأدنى من 400 ملم. في حالة وجود غطاء فوق الفرن ، من فضلك الرجوع إلى تعليمات غطاء محرك السيارة إلى المسافة الصحيحة.

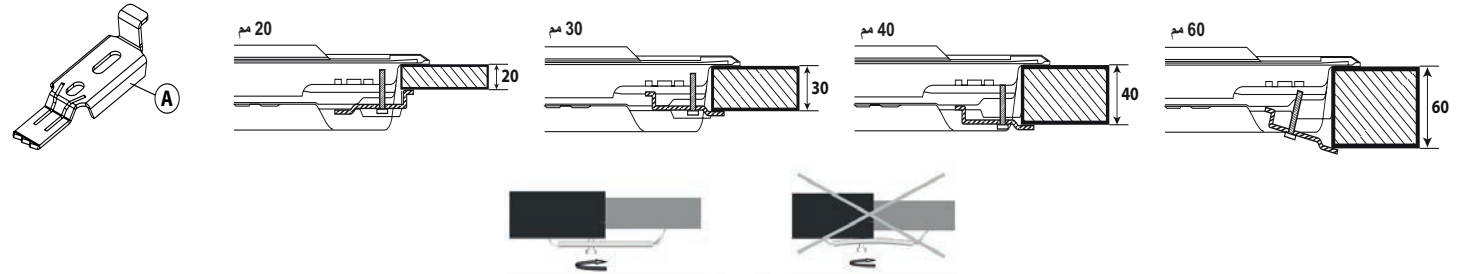
التركيب

بعد تنظيف السطح الخارجي لهذا المنتج، ضع مانع التسرب المرفق على الموقد كما هو مبين في الشكل.

ضع الموقد في فتحة سطح العمل المجهزة مع مراعاة الأبعاد المحددة في نشرة التعليمات.

ملاحظة: يجب أن يكون كبل توصيل التيار الكهربائي طويلا بحيث يسمح بتمريره لأعلى.

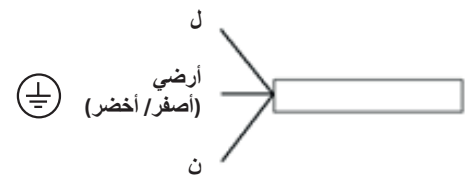
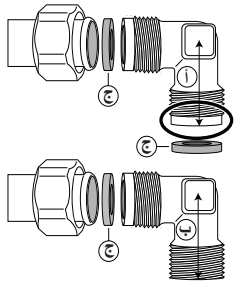
لتنبيت الموقد، استخدم أدوات التنبيت (أ) المرفقة معه. قم بتنبيت أدوات التنبيت في الفتحات المبينة بالسهم واربطها بالمسامير اللولبية حسب سُمك سطح العمل (انظر الأشكال التالية).



توصيل الغاز

- قم بتوصيل الوصلة المرفقية (أ) * أو (ب) * الواردة مع الموقد بأنبوب المدخل الرئيسي مع تركيب فلكة التنبيت (ج) الواردة مع الموقد بما يتفق مع توجيهات المعيار EN 549.
- * استخدم الوصلة المرفقية (أ) في فرنسا واستخدم الوصلة المرفقية (ب) في جميع البلدان الأخرى.
- بعد توصيل مصدر الغاز، تأكد من عدم وجود تسرب وذلك باستخدام ماء به صابون. قم بإشعال الشعلات، وتدوير المفاتيح من موضع الحد الأقصى ⑤ إلى موضع الحد الأدنى ⑥ للتأكد من ثبات اللهب.

التوصيل بالتيار الكهربائي



ضغط الغاز مللي بار			قدرة سخونة منخفضة كيلوواط	الاستهلاك المقدر	المعدل الاسمي للتدفق الحراري كيلوواط	علامة الحاقن	نوع الشعلة	نوع الغاز المستخدم
الحد الأدنى.	اسمي.	الحد الأقصى.						
25	20	17	0,60	286 لتر/ساعة	3,00	128 B	السريعة (R) متوسطة السرعة (SR) إضافية (AUX) تأقلمها في نانت (DC)	الغاز الطبيعي (الميثان) G20
			0,35	167 لتر/ساعة	1,75	97		
			0,30	95 لتر/ساعة	1,00	78 A		
			2,20	381 لتر/ساعة	4,00	141		
35	28-30	20	0,60	218 جم/ساعة	3,00	87	السريعة (R) متوسطة السرعة (SR) إضافية (AUX) تأقلمها في نانت (DC)	غاز البترول المسال (البيوتان) G30
			0,35	127 جم/ساعة	1,75	67		
			0,30	73 جم/ساعة	1,00	50		
			1,90	291 جم/ساعة	4,00	94		
45	37	25	0,60	214 جم/ساعة	3,00	87	السريعة (R) متوسطة السرعة (SR) إضافية (AUX) تأقلمها في نانت (DC)	غاز البترول المسال (البيوتان) G31
			0,35	125 جم/ساعة	1,75	67		
			0,30	71 جم/ساعة	1,00	50		
			1,90	286 جم/ساعة	4,00	94		

نوع الغاز المستخدم	تهينة الموديل 5 شعالت	المعدل الاسمي معدل التدفق (كيلوواط)	المعدل الإجمالي المقدر	الهواء المطلوب (م3) لحرق 1م3 من الغاز
G20 20 مبار	1R - 2SR - 1AUX - 1DC	11,50	1095 لتر/ساعة	9,52
G30 28/30 مبار	1R - 2SR - 1AUX - 1DC	11,20	814 جم/ساعة	30,94
G31 37 مبار	1R - 2SR - 1AUX - 1DC	11,20	800 جم/ساعة	23,80

مداد الكهرباء: 220-240 فلت ~ 50-60 هرتز - 6,0 واط

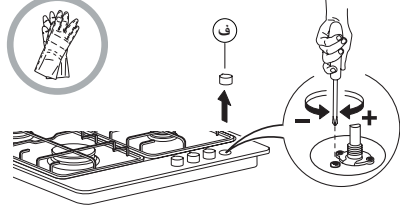


ملاحظة هامة: عند استخدام أسطوانة الغاز، يجب أن يتم تثبيت أسطوانة الغاز أو حاوية الغاز بشكل صحيح (في الاتجاه الرأسي).

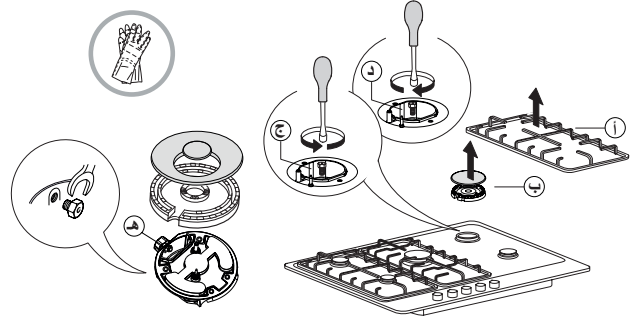
استبدال الحاقنات (انظر جدول الحاقنات الوارد في نشرة تعليمات السلامة)

⚠ يجب ألا تتم هذه العملية إلا بواسطة فني مؤهل.

- اخلع الشبكة (أ).
- اخلع الشعلات (ب).
- اخلع الحاقن (ج) المراد استبداله باستخدام مفتاح ربط ذي مقاس مناسب.
- استبدله بحاقن مناسب لنوع الغاز الجديد.
- أعد تركيب الحاقن في (د).
- إذا كان لديك شعلة متعددة التيجان، فاستخدم مفتاحاً جانبياً لإعادة تركيب الحاقن (هـ).



عند الانتهاء من عملية الضبط، أعد إحكام منع التسرب باستخدام شمع مانع للتسرب أو أي مادة مكافئة



قبل تركيب الموقد، تذكر تثبيت لوحة معايرة الغاز المرفقة مع الحاقنات بالطريقة الموضحة في المعلومات الحالية المتعلقة بمعايرة الغاز.

جدول الطهي

المستوى	طريقة/نوعية الطهي (موصى به ل)	نصائح للطهي
1-2	الاحتفاظ بالسخونة الطهي الخفيف	مثالي لإذابة الزبد والصور البطيء للشيكولاته على حمام ماء، وإذابة الكميات الصغيرة ولتغليظ اليزوتو بالكريمة.
3-4	الطهي البطيء الطهي لفترة طويلة	مثالي لوصفات الطهي البطيء (الأرز والصوص واللحم المشوي والأسماك) باستخدام السوائل (الماء والذبيذ والمرقة) ولتغليظ المعجنات والحفاظ على غليان خفيف.
5-6	الشواء القلي	مثالي للسوتيه وطهي الخضروات ببطء لفترة طويلة وإحماء الملحقات وتغليظ الطعام.
7-8	القلي السريع الشواء	مثالي للتحمير وبدء الطهي وجلي السوائل بسرعة والقلي السريع للمجمدات وشواء اللحم والأسماك والحفاظ على غليان نشط.
9	التسخين السريع	مثالي لزيادة درجة حرارة الطعام بسرعة للغلي السريع أو لتسخين السوائل (الماء).

التنظيف والصيانة

⚠ يجب فصل التيار الكهربائي عن الجهاز قبل إجراء الصيانة.

تنظيف سطح الموقد

- لا تنظف اللوح الزجاجي والأجزاء المطلية بطبقة الميناء إلا بقطعة قماش ناعمة أو قطعة إسفنجية.
- يمكن خلع الشبكات وأغطية الشعلات والشعلات وتنظيفها.
- قم بتنظيفها باليد باستخدام ماء دافئ ومنظف غير كاشط، وتخلص من أي بقايا طعام وتأكد من عدم انسداد أي فتحة من فتحات الشعلات.
- اشطفه وجففه.
- يمكن تنظيف الشبكات المصنوعة من حديد الزهر في غسالة الأطباق.
- أزل أي بقايا أظعمة محترفة قبل وضع الشبكات في الرف السفلي بغسالة الأطباق.
- أعد تركيب الشعلات وأغطية الشعلات بالطريقة الصحيحة في أماكنها المناسبة.
- عند إعادة تركيب الشبكات تأكد أن منطقة حاملات الأواني متوازية مع الشعلة.
- الموديلات المجهزة بقوابس إشعال كهربائية وأداة للسلامة تتطلب تنظيفاً شاملاً لطرف القابس لضمان التشغيل الصحيح. افحص هذه الأشياء بصورة متكررة، وإذا لزم الأمر قم بتنظيفها بقطعة قماش مبللة بالماء. يجب إزالة أي طعام متبقي باستخدام عود تنظيف الأسنان أو إبرة.
- ملاحظة: لتجنب تعرض جهاز الإشعال الكهربائي للتلف، لا تستخدمه إذا كانت الشعلات ليست في مكانها.

- يجب تنظيف كل الأجزاء الزجاجية والمصقولة بماء دافئ ومحلول متعادل.
- الأسطح المصنوعة من الصلب الذي لا يصدأ قد تظهر بها بقع في حالة غسلها بماء به جير أو منظفات قوية وتركها بها لمدة طويلة. يجب مسح أي طعام ينسكب على الموقد (ماء، صلصة، قهوة... الخ) قبل أن يجف.
- يجب أن يتم التنظيف بماء دافئ ومنظف متعادل، ثم تجفيفه بقطعة قماش ناعمة أو قطعة شمواء. تخلص من الأوساخ المتصلبة باستخدام منظفات خاصة بالأسطح المصنوعة من الصلب الذي لا يصدأ (الاستينلس ستيل).
- ملاحظة: لا تنظف الأسطح المصنوعة من الصلب الذي لا يصدأ (الاستينلس ستيل) إلا بقطعة قماش ناعمة أو قطعة إسفنجية.
- لا تستخدم منتجات كاشطة أو أكالة أو منظفات الكلور أو منظفات الأواني المصنوعة من المعدن.
- لا تستخدم أجهزة التنظيف بالبخار.
- لا تستخدم منتجات التنظيف القابلة للاشتعال.
- لا تترك مواد حمضية أو قلووية، كالخل أو المستردة أو الملح أو السكر أو عصير الليمون على الموقد.



يُرجى مسح رمز الاستجابة السريعة على جهازك من أجل الحصول على مزيد من المعلومات

نشرك على شركائك أحد منتجات شركة WHIRLPOOL للحصول على المزيد من المساعدة التفصيلية، يرجى تسجيل جهازك على www.whirlpool.eu/register.

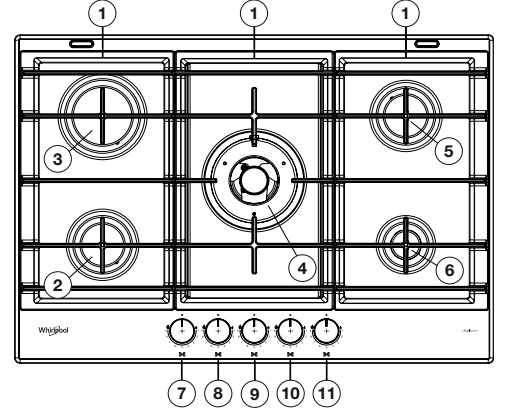


واقرا تعليمات السلامة بعناية قبل استخدام الجهاز.

وصف المنتج

- الرموز**
- دائرة مظلمة • نطاق علوي مغلق
 - ⦿ اللهب الكبير ⦿ أقصى فتح/إمداد والإشعال الكهربائي
 - ⦿ اللهب الصغير ⦿ أدنى فتحة أو تقليل الإمداد

1. شبكات استناد الأوعية القابلة للفك
2. الشعلة متوسطة السرعة
3. الشعلة السريعة
4. الشعلة ذات الحلقين
5. الشعلة متوسطة السرعة
6. الشعلة الإضافية
7. مفتاح التحكم في الشعلة متوسطة السرعة
8. مفتاح التحكم في الشعلة السريعة
9. مفتاح التحكم في الشعلة ذات الحلقين
10. مفتاح التحكم في الشعلة متوسطة السرعة
11. مفتاح التحكم في الشعلة الإضافية



الاستخدام اليومي

طريقة استخدام الموقد

⚠ لا تسمح للهب الشعلات بأن يمتد خارج حافة الإناء.

ملاحظة هامة: قد تصبح منطقة الموقد كلها ساخنة عند وجود الموقد قيد الاستخدام.

- لإشعال إحدى الشعلات، قم بتدوير المفتاح المناسب عكس اتجاه عقارب الساعة إلى ضبط أقصى لهب.
- اضغط المفتاح تجاه لوحة التحكم لإشعال الشعلة.
- بعد اشتعال الشعلة، استمر في الضغط على المفتاح لمدة 5 - 10 ثوان حتى يعمل الجهاز بالطريقة الصحيحة.
- يقوم جهاز أمان الشعلة بإغلاق إمداد الغاز إلى الشعلة إذا انطفأ اللهب بشكل عارض (بسبب تيار هواء مفاجئ، توقف توصيل الغاز، غليان السوائل وفورانها... الخ).
- يجب عدم الضغط على المفتاح أكثر من 15 ثانية. إذا لم تظل الشعلة مشتعلة بعد انتهاء هذه المدة، فانتظر دقيقة على الأقل قبل أن تحاول مرة أخرى.

ملاحظة: إذا أدت ظروف موضعية معينة للغاز الذي يتم توصيله إلى جعل إشعال الشعلة أمراً صعباً، فإننا ننصح بتكرار العملية مع تشغيل الموقد عن طريق تدويره إلى إعداد اللهب المنخفض. قد تنطفئ الشعلة عند تحرير الضغط على المفتاح. يعني ذلك أن جهاز السلامة لم يسخن بدرجة كافية. في هذه الحالة، كرر العملية السابقة. في حالة السنة اللهب التي تنطفئ في الشعلات دون قصد، أدر مفتاح التحكم في الشعلة إلى وضع الإيقاف والحاول إعادة إشعال الشعلة لمدة دقيقة على الأقل.

نصائح عملية لاستخدام الشعلات

هذا الموقد به شعلات ذات أقطار مختلفة. من أجل الحصول على أداء أفضل للشعلة، يرجى مراعاة القواعد التالية:

- استخدم الأواني والقنور التي يكون عرض قواعدها بنفس عرض الشعلات أو أكبر بقليل (انظر الجدول الموجود في الجانب الأيمن)؛
- استعمل فقط القنور والأواني ذات القاعدة المسطحة؛
- استخدم كمية مياه مناسبة لطهي الأطعمة وارك الغطاء فوق القنور؛
- تأكد أن القنور التي على الشبكات غير بارزة خارج حافة الموقد؛
- في حالة المقالي المزودة بقواعد محدبة (WOK)، استخدم دعامة الشواية، غير المرفقة، والتي لا؛
- تجنب الخبط غير المتعمد للموقد باللواني أو الالرف أو أدوات المطبخ الأخرى؛
- تجنب ترك شوايات الستيك فارغة على الشعلة المشغلة لما يزيد عن 5 دقائق.

ملاحظة هامة: قد يؤدي الاستخدام غير الصحيح للشبكات إلى تلف الموقد؛ لا تضع الشبكات في وضع مقلوب أو تقم بامتلتها على الموقد.

الشعلة	قطر أواني الطهي
تأقلحلاي نائذ (DC)	26-24 سم
السريعة (R)	26-24 سم
نصف سريع (SR)	22-16 سم
إضافي (AUX)	8-14 سم

إذا كان الموقد لا يعمل بالطريقة الصحيحة، فارجع إلى دليل استكشاف الأعطال وإصلاحها لتحديد المشكلة قبل استدعاء خدمة ما بعد البيع

1. تعذر إشعال الشعلة أو اللهب غير متساو

تأكد مما يلي:

- لم يتم غلق مصدر توصيل الغاز أو الكهرباء خاصة إذا كان صنوبر توصيل الغاز مفتوحاً.
- أسطوانة الغاز (الغاز السائل) ليست فارغة.
- فتحات الشعلات ليست مسدودة.
- طرف القابس ليس متسخاً.
- جميع أجزاء الشعلة تم تركيبها بالطريقة الصحيحة.
- عدم مرور تيارات هوائيه بالقرب من الموقد.

2. الشعلة لا تبقى مشتعلة

تأكد مما يلي:

- عند إشعال الشعلة، تم الضغط على المفتاح لمدة كافية من الوقت لتشغيل جهاز الحماية.
- فتحات الشعلات ليست مسدودة بالقرب من وصلة الازدواج الحراري.
- طرف جهاز الأمان ليس متسخاً.
- ضبط الحد الأدنى للغاز صحيح (انظر الفقرة المناسبة).

3. الأواني غير ثابتة

تأكد مما يلي:

- قاع الإناء من أسفل مسطح تماماً.
- الإناء تم وضعه في وسط الشعلة.
- الشبكات لم يتم تبديلها أو تم تركيبها بطريقة خاطئة.

إذا استمر حدوث الخلل بعد هذه الفحوصات، فاتصل بأقرب مركز لخدمة ما بعد البيع.

خدمة ما بعد البيع

الرقم التسلسلي (الرقم الوارد بعد كلمة SN على لوحة الصنع الموجودة أسفل الجهاز).
يشار إلى الرقم التسلسلي أيضاً في الوثائق.



Mod. XXX XXX
Ind.C. XXXX XXXX XXXX
SN: XXXX XXXX XXXX
Prod.N. XXXX XXXX XXXX

- عنوانك بالكامل،
- رقم هاتفك.

عند الحاجة للقيام بأية إصلاحات، يرجى الاتصال بأحد مراكز خدمة ما بعد البيع المعتمدة (لضمان استخدام قطع الغيار الأصلية وتنفيذ الإصلاحات بشكل صحيح).

- للحصول على مزيد من المساعدة والدعم الشامل، يرجى تسجيل منتجك على الموقع www.whirlpool.eu/register

قبل الاتصال بخدمة ما بعد البيع:

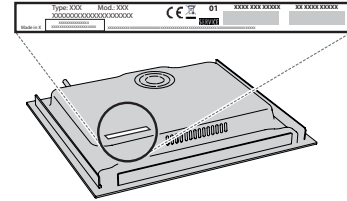
1. تحقق مما إذا كان بمقدورك حل المشكلة بنفسك بمساعدة الاقتراحات المقدمة في دليل التغلب على الأعطال.
2. أوقف الجهاز، ثم أعد تشغيله مرة أخرى للتحقق مما إذا كان العطل لا يزال قائماً.

إذا كان العطل لا يزال قائماً بعد القيام بالفحوصات المذكورة أعلاه، فاتصل بأقرب مركز لخدمة ما بعد البيع.

للحصول على المساعدة اتصل بالرقم المبين في كتيب الضمان أو اتبع التعليمات الموجودة على الموقع الإلكتروني www.whirlpool.eu

عند الاتصال بخدمة ما بعد البيع، يرجى دتما تحديد ما يلي:

- وصف مختصر للعطل،
- نوع الجهاز وطرازه بدقة،



يمكن العثور على السياسات والمستندات القياسية ومعلومات المنتج الإضافية من خلال:

- استخدام كود الاستجابة السريعة بجهازك،
- زيارة موقعنا docs.whirlpool.eu/docs
- وكبديل، يمكنك الاتصال بخدمة ما بعد البيع لدينا (راجع رقم التليفون في كتيب الضمان). يرجى عند الاتصال بخدمة ما بعد البيع ذكر الأكواد المذكورة على لوحة تمييز المنتج.

