

EN

FR

DE

IT

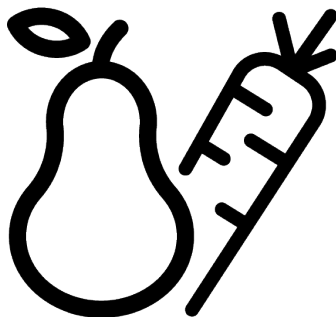
Bauknecht

Refrigerator / User Manual

Congélateur / Réfrigérateur / Manuel d'utilisation

Kühlschrank / Bedienungsanleitung

Frigorifero / Manuale Utente



BKFC8000

15 7550 0263/ EN FR DE IT / AA/ 3/17/2025 11:48 AM
7291841170



Please read this manual first!

Dear Customer

Thank you for choosing this product.

We would like you to achieve the optimal efficiency from this high quality product which has been manufactured with state of the art technology. To do this, carefully read this manual and any other documentation provided before using the product.

Heed all information and warnings in the user manual. This way, you will protect yourself and your product against the dangers that may occur. Keep the user manual. Include this manual with the product if you hand it over to someone else.





The following symbols are used in the user manual and on the product:



Read the user manual.



Hazard that may result in death or injury.

		The model information as stored in the product data base can be reached by entering following website and searching for your model identifier (*) found on energy label. https://eprel.ec.europa.eu/
SUPPLIER'S NAME	MODEL IDENTIFIER → (*)	
		



1	Safety Instructions	4
1.1	Intention of Use	4
1.2	Safety of Children, Vulnerable Persons and Pets	4
1.3	Electrical Safety.....	5
1.4	Handling Safety	6
1.5	Installation Safety.....	6
1.6	Operational Safety.....	9
1.7	Food Storage Safety.....	12
1.8	Maintenance and Cleaning Safety	13
1.9	Lighting	14
1.10	Disposal of the Old Product.....	14
2	Environmental Instructions	15
2.1	Compliance with the WEEE Dir- ective and Disposing of the Waste Product	15
3	Your Refrigerator	16
4	Installation	17
5	Preparation	19
5.1	What To Do For Energy Saving	19
5.2	First Use.....	19
5.3	Climate Class and Definitions	20
6	Operating the Product	20
7	Control Panel of the Product	20
8	Use of Your Appliance	22
8.1	Storing Food in the Freezer and Cooler Compartment.....	22
8.2	Replacing the Illumination Lamp..	24
8.3	Door Open Alert	25
9	Product Features	25
9.1	The ice storage area.....	25
9.2	Egg holder	27
9.3	Crisper	27
9.4	Dairy Products Cold Storage Area	27
9.5	Humidity Controlled Crisper	27
9.6	Water connection	27
10	Maintenance and Cleaning	33
11	Troubleshooting	34

1 Safety Instructions

- This section includes the safety instructions necessary to prevent the risk of personal injury or material damage.
- Our company shall not be held responsible for damages that may occur if these instructions are not observed.
- Always have installation and repair operations performed by manufacturer, authorized service or a person who will be described by importer company.
- Use original spare parts and accessories only.
- Do not repair or replace any component of the product unless it is clearly specified in the user manual.
- Do not perform any modifications on the product.

1.1 Intention of Use

- This product is not suitable for commercial use and should not be used for a purpose other than its intended use.
- This product is intended for operating interiors, such as households or similar.

For example;

In the staff kitchens of the stores, offices and other working environments,

In farm houses,

In the units of hotels, motels or other resting facilities that are used by the customers,

In hostels, or similar environments,

In catering services and similar non-retail applications.

- This product shall not be used in open or enclosed external environments such as vessels, camper vans, balconies or terraces. Exposing the product to rain, snow, sunlight and wind may cause risk of fire.

1.2 Safety of Children, Vulnerable Persons and Pets

- This product may be used by children aged 8 years and older and persons with underdeveloped physical, sensory or mental capabilities or lack of experience and knowledge if they are being supervised or have been given instruction concerning use of the appliance in a safe way and the hazards involved.

- Children between 3 and 8 years are allowed to put and take out food into/from the cooler product.
- Children and pets must not play with, climb on, or get inside the product.
- Children and pets must be kept away from the cabin area (compressor) where electrical parts are located.
- Cleaning and user maintenance must not be performed by children unless there is someone overseeing them.
- Keep the packaging materials away from children. Risk of injury and suffocation.
- If there is a lock available on the product's door, keep the key out of children's reach.

1.3 Electrical Safety

- The product shall not be plugged into the outlet during installation, maintenance, cleaning, repair, and transportation operations.
- If the power cable is damaged, it must be replaced by the person sent by the manufacturer, authorized service provider or the importer to prevent any potential danger.
- Do not tuck the power cable under the product or to the rear of the product. Do not put heavy items on the power cable. The power cable should not be bent, crushed, and come into contact with any heat source.
- Use an original cable only. Do not use cut or damaged cables.
- Do not use an extension cord, multi-plug or adaptor to operate your product.
- Portable multi-plugs or portable power supplies may overheat and cause fire. Thus, do not have a multi-plug, portable power sources behind or in the vicinity of the product.
- Before plugging the product into the power source, please remove the power cable from the condenser hook (if available) during the installation.
- The user should not be able to reach the electrical parts after installation.
- Do not plug the product's power cord in a loose or damaged power outlet. These types of connections may overheat and cause fire.
- The plug shall be easily accessible. If this is not possible, a mechanism that meets the electrical legislation and that disconnects all terminals from

the mains (fuse, switch, main switch, etc.) shall be available on the electrical installation.

- The product must not be operated with an external switching device such as a timer, or a remote controlled system.
- Do not use the product when your feet are bare or your body is wet.
- Do not touch the plug with wet hands.
- When unplugging the appliance, don't hold the power cable, but the plug.
- Make sure that the plug is not wet, dirty or dusty.
- Do not ever connect your product to power saving devices. These systems are harmful for the product.

1.4 Handling Safety

- Make sure to unplug the appliance before carrying the product.
- This product is heavy, do not handle it by yourself. Injuries may occur if the product falls on you. Do not bump into places or drop the product while transporting it.
- Always close the doors and do not hold the product by its doors while transporting it.

- Be careful not to damage the cooling system and the pipes while handling the product. Do not operate the product if the pipes are damaged, and contact an authorized service.

1.5 Installation Safety

- To prepare the product for use, see the information in the user and installation manual and make sure the electric and water utilities are as required. If not, call a qualified electrician and plumber to arrange the utilities as necessary.
- **Failure to do so may result in electric shock, fire, problems with the product, or injury.**
- Before starting the installation, switch off the fuse to de-energise the power line to which the product is connected.
- The product should be installed by two or more people. Use protective gloves while removing the product from the packaging and installation.
- This product is designed for use at a maximum altitude of 2000 metres above sea level.
- Keep children away from installation area.

- Check for any damage on the product before installing it. Do not have the product installed if it is damaged.
- Always use personal protective equipment (gloves, etc.) during product installation, maintenance and repair. Risk of injury.
- Do not install or leave the product in places where it may be exposed to external ambient temperatures.
- Place the product on a clean, level and hard surface and balance it with the adjustable legs (by rotating the front feet to the right or left). Otherwise, the refrigerator may tip over and cause injuries.
- Proceed with care to prevent causing any damage to the floors (tiling etc.) while moving the product. Install the product on a floor, or provide sufficient support depending on the size, weight and the use-case of the product. Ensure that the product is not near a heat source, and all four feet are stable and leaning against the floor. Install the product as necessary, and ensure that it is horizontal, using a bubble level. To ensure the complete efficiency of the refrigerant circuit, wait for at least two hours before operating the product.
- The product shall be installed in a dry and ventilated environment. Do not keep carpets, rugs or similar covers under the product. This may cause risk of fire as a result of inadequate ventilation!
- Do not block or cover ventilation holes. Otherwise, power consumption increases and your product may be damaged.
- Leave sufficient space by the sides and above to ensure adequate ventilation. The gap between the back panel and the wall behind the product must be a minimum of 50mm in order to prevent hot surfaces. Reducing this distance may increase the energy consumption of product.
- When placing the product, make sure that the supply cable is not damaged or pinched.
- The product must not be connected to supply systems and power sources which may cause sudden voltage changes (i.e. a portable solar-energy power source). Otherwise, damage to your product may occur as a result of the abrupt voltage fluctuations!
- The more refrigerant a refrigerator contains, the bigger its installation room shall be. In very

- small rooms, a flammable gas-air mixture may occur in case of a gas leak in the cooling system. At least 1 m³ of volume is required for each 8 grams of refrigerant. The amount of the refrigerant available in your product is specified in the Type Label.
- The product must never be placed in such a way that power cables, the metal hose of the gas stove, metal gas or water pipes come into contact with the product's rear wall (or the condenser).
 - The installation place of the product must not be exposed to direct sunlight and it shall not be in the vicinity of a heat source such as stoves, radiators, etc. If you cannot prevent installation of the product in the vicinity of a heat source, use a suitable insulation plate and make sure the minimum distance to the heat source is as specified below:
 - At least 30 cm away from heat sources such as stoves, ovens, heating units and heaters, etc.,
 - And at least 5 cm away from electrical ovens.
 - Your product has the protection class of I.
 - Plug the product in a grounded socket that conforms with the Voltage, Current and Frequency values specified in the type label. The socket must have a 10A – 16A fuse. Our firm will not assume responsibility for any damages due to usage without earthing and without power connection in compliance with local and national regulations.
 - The product's power cable must be unplugged during installation. Otherwise, risk of electric shock and injury may occur!
 - Do not plug the product to loose, broken, dirty, greasy sockets or sockets that have come out of their seats or sockets with a risk of water contact. These types of connections may overheat and cause fire..
 - Place the power cable and hoses (if any) of the product so that they shall not cause a risk of tripping over.
 - Penetration of humidity and liquid to live parts or to the power cord may cause short circuit. Thus, do not use the product in humid environments or in areas where water may splash (e.g. garage, laun-

dry room, etc.) If the refrigerator is wet by water, unplug it and contact an authorized service.

- Do not ever connect your refrigerator to power saving devices. These systems are harmful for the product.
- There is a risk of contact with electrical parts when removing the electronic board cover and the compressor rear cover (if fitted). Do not remove the electronic board cover and the compressor rear cover (if fitted). There is a risk of electrocution!

1.6 Operational Safety

- Do not ever use chemical solvents on the product. These materials contain an explosion risk.
- In case of a failure of the product, unplug it (or de-energise the fuse to which it is connected), and do not operate until it is repaired by the authorized service. There is a risk of electric shock!
- Do not place flames (lighted candle, cigarette, etc.) or heat sources (iron, hob, oven, etc.) on or near the product. Do not place flammable/explosive materials near the product...
- Do not get on the product. Risk of falling and injury!
- Do not cause damage to the pipes of the cooling system using sharp and piercing tools. The refrigerant that sprays out in case of puncturing the gas pipes, pipe extensions or upper surface coatings may cause irritation of skin and injury to the eyes.
- Do not intervene in or damage the coolant circuit Risk of explosion.
- Do not place and operate electrical appliances inside the refrigerator/freezer unless it is advised by the manufacturer.
- Do not use any procedures other than those recommended by the manufacturer to speed up defrosting.
- Take due care not to jam any parts of your hands or your body to the moving parts inside the product. Be careful to prevent jamming of your fingers between the refrigerator and its door. Be careful while opening or closing the door if there are children around.
- Do not put ice cream, ice cubes or frozen food to your mouth as soon as you take them out of the freezer. Risk of frostbite!

- Do not touch the inner walls, metal parts of the freezer or food kept inside the freezer with wet hands. Risk of frost-bite!
- Do not place soda cans or cans and bottles that contain fluids that may be frozen to the freezer compartment. Cans or bottles may explode. Risk of injury and material damage!
- Do not use or place materials sensitive against temperature such as flammable sprays, flammable objects, dry ice or other chemical agents in the vicinity of the refrigerator. Risk of fire and explosion!
- Do not store explosive materials such as aerosol cans with flammable materials inside the product.
- Do not place cans containing fluids over the product an open state. Splashing of water on an electrical part may cause an electric shock or a fire.
- Due to risk of breaking, do not store glass containers with liquid inside in the freezer compartment.
- This product is not intended for storage and cooling of medicines, blood plasma, laboratory preparations or similar materials and products that are subject to the Medical Products Directive.
- If the product is used against its intended purpose, it may cause damage to or deterioration of the products stored inside.
- If your refrigerator is equipped with blue light, do not look at this light with optical devices. Do not stare directly at UV LED light for a long time. Ultraviolet rays may cause eye strain.
- Do not fill the product with more contents than its capacity. Do not use any procedures other than those recommended by the manufacturer to speed up defrosting. Injuries or damages may occur if the contents of the refrigerator fall when the door is opened. Similar problems may also occur when an object is placed over the product.
- Ensure that you have removed any ice or water that may have fallen to the floor to prevent injuries.
- Change the locations of the racks/bottle racks on the door of your refrigerator only when the racks are empty. Danger of injury!

- Do not place objects that may fall/tip over on the product. These objects may fall while opening or closing the door and cause injuries and/or material damages.
- Do not hit or exert excessive pressure on glass surfaces. Broken glass may cause injuries and/or material damages.
- For products designed to use an air filter inside an accessible fan cover, the filter must always be in position when the refrigerator is in function.
- Do not block out the fan (if available) with food.
- Damaged gaskets should be replaced as soon as possible.
- Your product may have special compartments (Fresh Food Compartment, Zero Degrees Compartment etc.) Unless otherwise stated in the relevant manual of the product, these compartments can be removed, and the product can be used with the same performance.
- The cooling system in your product contains R600a refrigerant. The refrigerant type used in the product is specified in the type label. This gas is flammable. Therefore, be careful not to damage the cooling system and the pipes while operating the product. In case of damage to the pipes;
 1. Do not touch the product or the power cable.
 2. Keep the product away from potential sources of fire that may cause the product to catch fire.
 3. Ventilate the area where the product is placed. Do not use a fan.
 4. Contact Authorized Service.Before disposing of old products that shall not be used any more:
 1. Unplug the power cord from the mains socket.
 2. Cut the power cable and remove it from the appliance together with the plug.
 3. Do not remove the racks and drawers from the product to prevent children from getting inside the appliance.
 4. Remove the doors.
 5. Store the product so that it shall not be tipped over.
 6. Do not allow children to play with the scrapped product.
 7. If the product is damaged and you observe gas leak, please stay away from the gas. Gas may cause frostbite if it contacts your skin.
- Do not dispose of the product by throwing it into fire. Risk of explosion.

- If there is a lock available on the product's door, keep the key out of children's reach.

For Products with Water Dispenser / Icematic

- Use only drinking water. Do not fill the water tank with fruit juice, milk, fizzy beverages, alcoholic beverages or any other liquids incompatible for use in the water dispenser. This may cause risk to your health and safety.
- Do not allow the children to play with the water dispenser or icematic to prevent accidents and injuries.
- Do not insert your hands, fingers or other objects inside the hole of the water dispenser, ice channel or inside the container of the icematic. This may cause injuries or material damages.
- The hose sets supplied with the product shall be used. Do not use the old hose sets. Do not extend the hoses!
- Always connect your product to cold water inlet. Do not perform installation on the hot water inlet. The pressure for the cold water inlet shall be 90 PSi (620 kPa – 6.2 bar) maximum. If your water pressure exceeds 80Psi (550 kPa – 5.5

bar) or has a water impact effect, use a pressure limiting valve on your mains system. Ask help from professional plumbers if you do not know how to control your water pressure.

- High pressure may cause damage to the hose connections and pose a risk of flooding.
- Take required precautions against the risk of freezing of hoses. The operating water temperature interval shall be 0.6°C (33°F) minimum and 38°C (100°F) maximum. There is a risk of flooding if the hose is cracked/perforated.



1.7 Food Storage Safety

Please pay attention to the following warnings to avoid food spoilage:

- Leaving the doors open for a long time may cause the temperature inside the product to rise.
- Regularly clean the accessible drainage systems in contact with food.
- Clean the water tanks that have not been used for 48 hours and mains-fed water systems that have not been used for more than 5 days.

- Store raw meat and fish products in appropriate compartments within the product. Thus, it does not drip on or come into contact with other foods.
- Two-star freezer compartments are used for storing pre-filled foods, making and storing ice and ice cream.
- One, two and three-star compartments are not appropriate for freezing fresh food.
- If the cooling product has been left empty for a long time, turn off the product, defrost, clean, and dry the product in order to protect the housing of the product.
- After the foods are placed, check if the compartment hatches, and especially the freezer door, are properly closed.
- Use the refrigerator compartment for storing fresh foods, and the freezer compartment for storing frozen goods, freezing fresh foods and preparing ice cubes.
- Do not store foods without properly sealing them in the refrigerator and the freezer compartments, to prevent direct contact with the inner surfaces.



1.8 Maintenance and Cleaning Safety

- Unplug the refrigerator or de-energise the fuse before cleaning it or starting to perform maintenance.
- Do not pull by the door or door handle if you are going to move the product for cleaning purposes. The door may cause injuries if the handle is pulled too hard.
- Do not place hands, feet or metal objects under or behind your product. Jamming may occur or any sharp edge may cause personal injuries.
- Do not wash the inside or outside of the product with a pressure washer, steam, spray water or pouring water. Risk of electric shock and fire.
- When cleaning the product, do not use sharp and abrasive tools or household cleaning agents, detergent, gas, gasoline, thinner, alcohol, varnish, and similar substances. Use only cleaning and maintenance agents that are not harmful for food inside the product.
- Do not use paper towels, kitchen sponges or other hard cleaning materials.
- Do not ever use steam or steamed cleaning materials for cleaning the product and thaw-

ing the ice inside it. Steam contacts the live areas in your refrigerator and causes short circuit or electric shock.

- Do not use any mechanical tools or any other tools than the recommendations of the manufacturer to speed up the thawing operation.
- Take care to keep water away from the ventilation holes, electronic circuits or lighting of the product. Otherwise, risk of fire or electric shock may occur.
- Use a clean, dry cloth to wipe the dust or foreign material on the tips of the plugs. Do not use a wet or damp piece of cloth to clean the plug. Otherwise, risk of fire or electric shock may occur.

1.9 Lighting

Contact an authorized service when you shall replace the LED / bulb using for lighting.

1.10 Disposal of the Old Product

When disposing of your old product follow the instructions below:

- To prevent children from accidentally locking themselves into the product, if there is door lock, disable it.
- Splash of coolant is harmful to the eyes. Do not damage any part of the cooling system while disposing of the product.
- It may be fatal if the compressor oil is swallowed or if it penetrates the respiratory tract.
- Cooling system of your product includes R600a gas as specified in the type label. This gas is flammable. Do not dispose of the product by throwing it into fire. Risk of explosion!
- C-Pentane is used as a blowing agent in insulation foam and it is a flammable substance. Do not dispose of the product by throwing it into fire.

2 Environmental Instructions

2.1 Compliance with the WEEE Directive and Disposing of the Waste Product



This product complies with EU WEEE Directive (2012/19/EU). This product bears a classification symbol for waste electrical and electronic equipment (WEEE).

This symbol indicates that this product shall not be disposed with other household wastes at the end of its service life. Used device must be returned to official collection point for recycling of electrical and electronic devices. To find these collection systems please contact to your local authorities or retailer where the product was purchased. Each household performs important role in recovering and recycling of old appliance. Appropriate disposal of used appliance helps prevent potential negative consequences for the environment and human health.

Compliance with RoHS Directive

The product you have purchased complies with EU RoHS Directive (2011/65/EU). It does not contain harmful and prohibited materials specified in the Directive.



Package information

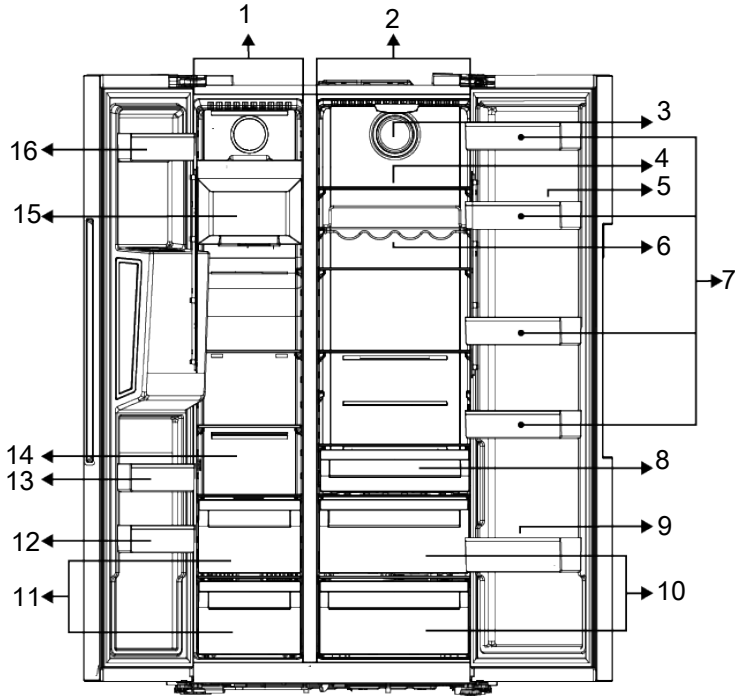
Packaging materials of the product are manufactured from recyclable materials in accordance with our National Environment Regulations. Do not dispose of the packaging materials together with the domestic or other wastes. Take them to the packaging material collection points designated by the local authorities.



Conformity with standards and test information / Declaration of EC conformity

Development, manufacture and sales stages of this product conform to the safety rules in all relevant guidelines of the European Community. 2014/35/EU, 2014/30/EU, 93/68/EC, IEC 60436/DIN 44990, EN 50242

3 Your Refrigerator



1 Freezer compartment

3 Fan

5 Egg holder

7 *Cooler compartment door shelves

9 *Bottle shelf

11 Frozen food storing compartments

13 *Freezer compartment door shelves

15 *Ice machine

2 Cooler compartment

4 *Cooler compartment glass shelves

6 *Bottle shelf

8 *Dairy (cold storage) bin

10 *Crispers

12 *Freezer compartment door shelves

14 Frozen food storing compartments and glass shelf

16 *Freezer compartment door shelves

***Optional:** Figures in this user manual are schematic and may not exactly match your product. If your product does not comprise the relevant parts, the information pertains to other models.

4 Installation

Right place for installation

Read the "Safety Instructions" first!

Contact the Authorized Service for the product's installation. To prepare the product for installation, see the information in the user manual and make sure the electric and water utilities are as required. If not, call an electrician and plumber to arrange the utilities as necessary.

- Damaged power cable must be replaced by Authorized Service.
- When placing two coolers in adjacent position, leave at least 4 cm distance between the two units.
- Keep the product out of direct sunlight and in a dry place.
- The distance between the product and the side walls should be 3 mm and the distance between the product and the rear wall should be 35 mm. (ElegantFit)
- If the door span is too narrow for the product to pass, remove the door and turn the product sideways; if this does not work, contact the authorized service.
- Place the product on a flat surface to avoid vibration
- Place the product at least 30 cm away from the heater, stove and similar sources of heat and at least 5 cm away from electric ovens.
- Do not expose the product to direct sunlight or keep in damp environments.
- Before transport or use, never open the control board cover on the product. Risk of electric shock and fire!
- Our firm will not assume responsibility for any damages due to usage without earthing and without power connection in compliance with national regulations.
- The power cable plug must be easily accessible after installation.

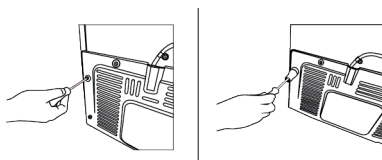
Hot surface warning!

The side walls of your product are equipped with cooler pipes to enhance the cooling system. High pressure fluid may flow through these surfaces, and cause hot surfaces on the side walls. This is normal and it does not require servicing. Be careful when you contact these areas.

Attaching the plastic wedges

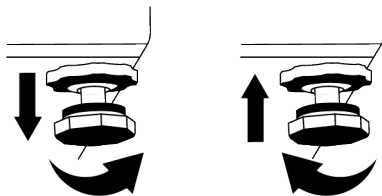
Use the plastic wedges provided with the product to maintain sufficient space for air circulation between the product and the wall.

- Remove the screws on the product and mount the screws provided with the wedges.
- Attach 2 plastic wedges on the ventilation cover as shown in the figure.



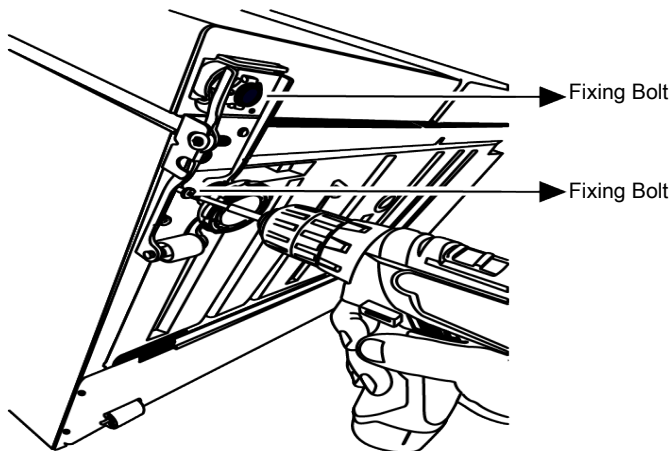
Adjusting the Legs

If the product is not in balanced position, adjust the front adjustable stands by rotating right or left.



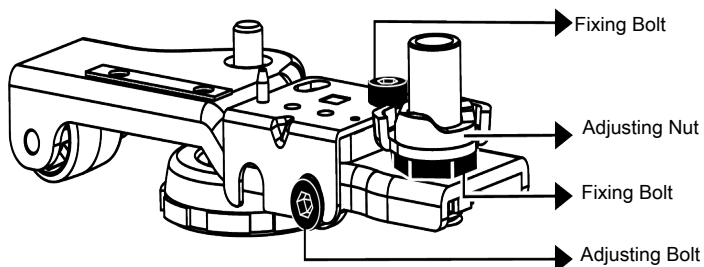
For adjusting the doors vertically,

Loosen the fixing nut at the bottom. Screw adjusting nut (CW/CCW) according to the position of the door. Tighten the fixing nut bolt for the final position.

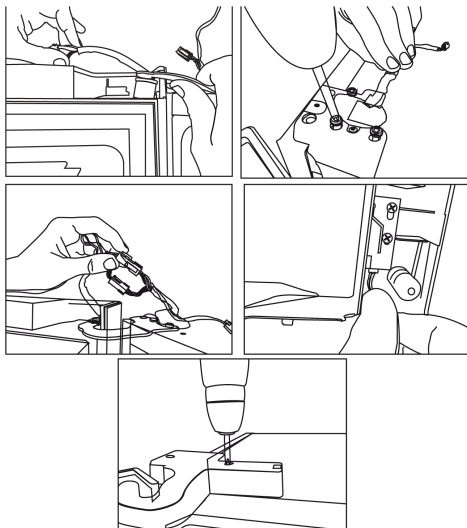


For adjusting the doors horizontally,
 Loosen the fixing screw at the bottom
 Loosen the fixing nut at the top. Screw the
 adjusting bolt (CW/CCW) on the side ac-

ording to the position of the door. Tighten
 the fixing nut on the top for the final posi-
 tion Tighten the fixing screw at the bottom



Fix the upper hinge assembly with 3 screws.
Install the hinge cover after the sockets are installed.
Secure the hinge cover with two screws.



5 Preparation

Read the "Safety Instructions" first!

5.1 What To Do For Energy Saving

- When loading the food, leave enough space inside the refrigerator to allow sufficient air circulation for cooling.
- Since hot and humid air will not directly penetrate into your product when the doors are not opened, your product will optimize itself in conditions sufficient to protect your food. Under these circumstances, functions and components such as compressor, fan, heater, defrost, lighting, display and so on will operate according to the needs by consuming minimum energy.
- In case that multiple options are present, glass shelves must be placed so that the air outlets at the rear wall are not blocked and preferably, in a way that air outlets remain below the glass shelf. This combination may help improving air distribution and energy efficiency.
- Using the below drawer when storing is strongly recommended.
- For optimum performance, Quick Freezing can be used (if available), 24 hours prior to placing fresh foods in the freezer.

- In most cases, 24 hours is enough for the Quick Freezing function after fresh foods are placed in the freezer. After some time, Quick Freezing function will deactivate automatically.
- When freezing a small amount of food, Quick Freezing function can be deactivated after some time to ensure energy saving.
- Food shall be stored using the drawers in the cooler compartment in order to ensure energy saving and protect food in better conditions.

5.2 First Use

Before using your product make sure the necessary preparations are made in line with the instructions in "Safety Instructions" and "Installation" sections.

- Wait for at least 2 hours before operating the product, to ensure the complete efficiency of refrigeration.
- Keep the product running without placing any food inside for 6 hours and the product door should be kept as closed as possible.

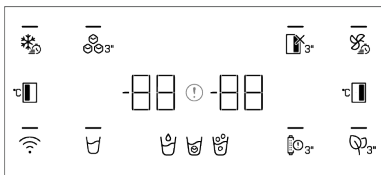
- The temperature change caused by opening and closing of the door while using the product may normally lead to condensation on door/body shelves and glassware placed in the product.
- A sound will be heard when the compressor is engaged. It is normal for the product to make noise even if the compressor is not running, as fluid and gas may be compressed in the cooling system.
- It is normal for the front edges of the product to be warm. These areas are designed to warm up in order to prevent condensation
- For some models, indicator panel turns off automatically 1 minute after the door closes. It will be reactivated when the door is opened or any button is pressed.

6 Operating the Product

Read the "Safety Instructions" first!

- The product shall be used for storing food only.
- Turn off the water valve if you will be away from home (e.g. at vacation) and you will not be using the Icematic or the water dispenser for a long period of time. Otherwise, water leaks may occur.

7 Control Panel of the Product



Read the "Safety Instructions" first!

Auditory and visual functions on the indicator panel will assist you in using the refrigerator.

*Optional: Shown functions are optional, there may be differences of shape and location in functions found on your appliance's indicator panel.

5.3 Climate Class and Definitions

Please refer to the Climate Class on the rating plate of your device. One of the following information is applicable to your device according to the Climate Class.

- **SN:** Long Term Temperate Climate: This cooling device is designed for use at ambient temperatures between 10 °C and 32 °C.
- **N:** Temperate Climate: This cooling device is designed for use at ambient temperatures between 16°C and 32 °C.
- **ST:** Subtropical Climate: This cooling device is designed for use at ambient temperatures between 16°C and 38°C.
- **T:** Tropical Climate: This cooling device is designed for use at ambient temperatures between 16°C and 43°C.

Unplugging the Product

- Remove the food to prevent odours,
- Wait for the ice to melt, clean the interior and let it dry, leave the doors open to avoid damaging the inner body plastics.

Quick Freezing Key

When the quick freezing key is pressed, the LED on the key is illuminated and the quick freezing function will be activated. Freezer compartment temperature is set to -27 Celsius. Press the key again to cancel the function. The quick freezing function will be cancelled automatically. To freeze a large amount of fresh food, press the quick freezing key before placing the food in the freezer compartment.

Icematic On/Off Button

Pressing this key for 3 seconds activates the ice making process and the LED on the key lights up. Pressing the key for 3

seconds again cancels the ice making process and the ice cubes that have been created before can be used even though the function is cancelled.

Error Status Indicator

This indicator shall be active when your refrigerator cannot perform adequate cooling or in case of any sensor error. "E" will be displayed on the freezer compartment temperature indicator and figures such as 1,2,3... will be displayed on the cooler compartment temperature indicator.

These figures provide information to the authorized service on the error that has occurred.

Exclamation mark may be displayed when you load warm food to the freezer compartment or keep the door open for a long period of time. This is not a fault, this warning will be removed when the food is cooled down or when any key is pressed.

Cooler Compartment Off (Vacation)

Function Key

To activate the vacation function, press on the key for 3 seconds.

The vacation mode will be activated and the LED on the key will be illuminated. "- -" shall be displayed on the Cooler Compartment temperature indicator and the cooler compartment does not actively perform cooling. You should not keep your food in the cooler compartment if you activate this function. The other compartments continue to cool according to temperatures set before. Press and hold the key for 3 seconds again to cancel this function.

Quick Cooling Key

When you press the quick cooling key, the LED on the key is illuminated and the quick cooling function shall be activated. Cooler compartment temperature is set to 1 Celsius. Press the key again to cancel the function. The quick freezing function will be cancelled automatically when the cooling is done.

Cooler Compartment Temperature Setting Key

Allows setting of temperature for cooler compartment. Pressing this key will enable the cooler compartment temperature to be set at 8,7,6,5,4,3,2 and 1 Celsius.

Deodoriser Module Key 3"

Press this key for 3 seconds to activate/deactivate the deodoriser feature. When the deodoriser feature is active, the LED on the respective key is illuminated. When the feature is active, the deodoriser module will be operated periodically.

Filter Replacement Warning Key

The water inlet filter of the refrigerator should be changed in regular intervals. Your refrigerator will calculate this time automatically. When the filter lifespan has expired, the LED on the filter replacement warning key lights up. After changing the filter, press and hold the button for 3 seconds to turn off the filter replacement warning LED.

Water, Ice Cube, Crashed Ice Selection

Key

This key allows you to switch between water, ice cube and crushed ice selections. When you activate the feature, light on the key shall remain lit.

Wireless Key

This key is used to make a wireless connection with your product via HomeWhiz mobile app.

When you press the key for 3 seconds, the LED on the key flashes slowly (at intervals of 0.5 seconds). The home network is initialized on the product this way.

After achieving wireless connection with the product, the LED on the key illuminates permanently.

When the initial connection is established, you may activate/deactivate the connection with a short press on this key. The LED on the key shall flash quickly (at intervals of

0.2 seconds) till your appliance is connected. When the connection is active, LED will remain lit.

If the connection cannot be established for a long period, check your connection settings and refer to the “Troubleshooting” section provided in the user manual.

HomeWhiz application will be used for wireless connection. The installation steps are described on the application during installation. You may access the application by reading the QR code available on the HomeWhiz label on the product. Application is offered through App Store for IOS devices, and through Play Store for Android devices.

Visit <https://www.homewhiz.com/> address for detailed information.

8 Use of Your Appliance

8.1 Storing Food in the Freezer and Cooler Compartment

Storing food in the freezer compartment

- You can activate Quick Freezing function 4-6 hours before freezing function and perform a faster cooling.
- Bring hot meals to the room temperature before placing them in the freezer compartment.
- Foods to be frozen must be divided into portions according to a size to be consumed, and frozen in separate packages.
- It is recommended to pack the foods before placing them in the freezer.
- In order to prevent expiration of storage time, write the freezing date, time and name of the product on the package according to the storage times of different foods.
- Consume the foods you have defrosted quickly. Defrosted foods cannot be frozen again unless they are cooked. It is not safe to consume the refrozen fresh foods without cooking after they are defrosted.

Freezer Compartment Temperature Setting Key

Temperature setting is made for freezer compartment. Pressing this key will enable the freezer compartment temperature to be set at -16,-17,-18,-19,-20,-21,-22 Celsius.

WARNING



The temperature can be set between 1-8°C for the chiller compartment and between -24 and -15°C for the freezer compartment. Adjustable temperature values may vary provided that they are within these ranges according to product specifications.

- As you freeze fresh foods, do not bring them in contact with already frozen foods. Otherwise, frozen foods will be defrosted.

Storing the foods, which are sold frozen

- When storing food, follow the time periods specified in these instructions.
- In order to protect the quality of the food, keep the time interval between purchasing transaction and storing as short as possible.
- Buy frozen food which are stored at -18 °C or lower temperatures.
- Avoid buying foods whose packages are covered with ice etc. This means that the product could be partially defrosted and refrozen. Temperature impacts the quality of the food.
- Do not exceed the storing time recommended by the food producer. Remove only the food as much as you need from the freezer.
- Except the cases where extreme circumstances are available in the environment, if your product (on the recommended set values table) is set to the specified set

values, the food keep their freshness for a longer time both in the fresh product compartment and freezer compartment.

- If fresh food compartment is set to a lower temperature, fresh fruits and vegetables may be partially frozen.

Quick freezing

1. Activate the quick freezing function 24 hours before placing your fresh foods.
2. After 24 hours after pressing the button, place your food that you want to freeze in the third or fourth shelves with higher freezing capacity.
3. Once the quick freezing function is activated, it is automatically cancelled after a period of time.

Freezer details

As per the IEC 62552 standards, the freezer must have the capacity to freeze 4,5 kg of food items at -18°C or lower temperatures at 25°C room temperature in 24 hours for each 100 litres of freezer compartment volume.

Food products can only be preserved for extended periods at or below temperature of -18 °C.

You can keep the foods fresh for months (in freezer at or below temperatures of -18 °C).

The food products to be frozen must not contact the already-frozen food inside to avoid partial defrosting.

Boil the vegetables and filter the water to extend the frozen storage time. Place the food in air-tight packages after filtering and place in the freezer. Bananas, tomatoes, lettuce, celery, boiled eggs, potatoes and similar food items should not be frozen. In case these foods are frozen, only nutritional values and eating qualities will be negatively affected. A rotting that would threaten human health is not in question.

Placing the food

Freezer compartment shelves: Different frozen foods like meat, fish, ice cream, vegetables etc.

Cooler compartment shelves: Food items inside pots, capped plate and capped cases, eggs (in closed case)

Cooler compartment door shelves: Small and packaged food or beverages

Crisper: Vegetables and fruits

Fresh food compartment: Delicatessen (breakfast food, meat products to be consumed in short time)

Storing food in the cooler compartment

- Compartment temperatures rise prominently if compartment door is opened and closed frequently and kept open for a long time, this can reduce the life span of the food and cause the food to spoil.
- In order not to cause odour and taste changes, the food should be stored in the closed containers.
- Do not store too much food in your refrigerator. To achieve a better and homogeneous cooling, place the food separately in a way that cold air can wander through them.
- Provide air flow by leaving a space between the food and internal wall. If you lean the food against the rear wall, the food may freeze.
- Bring cooked hot meals to the room temperature before placing them in the refrigerator. Then, you can place the tepid meal in the lower shelves of your refrigerator. Do not place the tepid meals close to the foods which may easily spoil.
- Defrost your frozen food in the fresh food compartment. Thereby, you can cool fresh food compartment by using frozen food and save energy.
- Storing unripe tropical fruits (mango, melon varieties, papaya, banana, pineapple) in the refrigerator may speed up the ripening process. This is not recommended because it will cause shorter storage time.
- You should store onions, garlics, gingers and other root vegetables in dark and cold room conditions, not in the refrigerator.

- If you notice that a food has spoiled in the refrigerator, throw away that food and clean the accessories which have come into contact with it.
- In order to cool the meals like soups and stews, which are cooked in the large pots, quickly, you can put them in the refrigerator by separating them into their own shallow containers.
- Do not place unpackaged food close to eggs.
- Keep the fruits and vegetables separately and store each variety together (for example; apples with apples, carrots with carrots).
- Take green vegetables out of the plastic bag and place them in the refrigerator after wrapping them in a paper towel or drying cloth. If you wash this type of food before placing them in the refrigerator, remember to dry them.
- You can both create a damp environment and provide an air flow by keeping fruits and vegetables, which are prone to drying, in the perforated or unsealed plastic bags.
- Except the cases where extreme circumstances are available in the environment, if your product (on the recommended set values table) is set to the specified set values, the food keep their freshness for a longer time both in the fresh product compartment and freezer compartment.

Store different food in different places according to their properties.

Food	Location
Egg	Door Shelf
Dairy products (butter, cheese)	If available, zero degree (for breakfast food) compartment
Fruits, vegetables and greenery	Fruit-vegetable compartment, crisper or EverFresh+ compartment (if available)
Fresh meat, poultry, fish, sausage etc. Cooked foods	If available, zero degree (for breakfast food) compartment
Ready to serve foods, packaged products, canned foods and pickles	Top shelves or door shelf
Beverages, bottles, spices and snacks	Door Shelf

Recommended set values table

Freezer Compartment Setting	Fridge Compartment Setting	Remarks
-22°C	4°C	This is the default, recommended setting. This setting is recommended if ambient temperature is below 30°C.
-22°C or colder	4°C	These settings are recommended for ambient temperatures exceeding 30°C.
Quick Freeze	4°C	Use when you want to freeze your food in a short time. When the process ends, the product's settings will return to previous position.
-18°C or colder	2°C	Use these settings if you believe the cooler compartment is not cold enough due to ambient temperature or frequently opening the door.

8.2 Replacing the Illumination Lamp

Call the Authorized Service when the Bulb/LED used for lighting in your refrigerator will be replaced.

Lamp(s) used in this appliance cannot be used for house lighting. Intended use of this lamp is to help the user place food into the refrigerator / freezer safely and comfortably.

8.3 Door Open Alert

The door open alert system of your refrigerator may differ depending on the model.

Version 1;

If the door of the product remains open for a certain time (between 60 s and 120 s), an audio warning signal sounds; depending on the product model, a visual warning signal (light flash) can also be displayed. If you close the door of the device or press a button on the screen of the device, if any, the warning sound will stop.

Version 2;

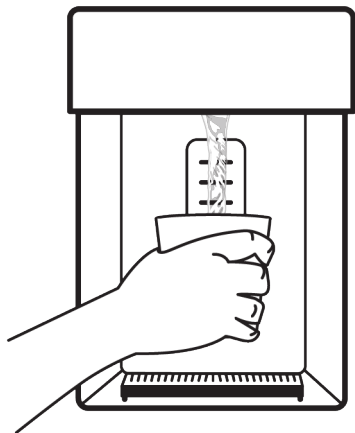
If the door of the device remains open for a certain period of time (between 60 s and 120 s), the door open alert is sounded. The door open alert is sounded gradually. First, an audible warning starts to sound. After 4 minutes, if the door is still not closed, a visual warning (lighting flash) is activated. The door open alert will be delayed for a certain period of time (between 60 s and 120 s) when any key on the product screen, if any, is pressed. Then the process will start again. When the device door is closed, the door open alert will be cancelled.

9 Product Features

9.1 The ice storage area

Ice/Water Taking

Select the related option by using the display in order to take water (🍹) / ice cube (🧊) / crushed ice (🧊). Push forward the trigger on the water dispenser in order to take water/ice. When you switch between ice cube (🧊) / crushed ice (🧊) options, ice type remaining from the previous selection can be given in the first few takings.



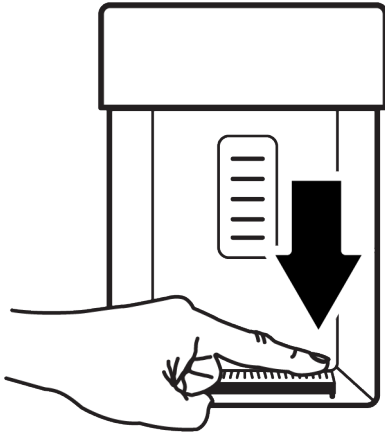
- In order to take ice from ice / water dispenser for the first time, you have to wait approximately for 12 hours. In the event that there is not sufficient ice in the ice container, you cannot take ice from the dispenser.

- Do not consume the ice cubes (3-4 litres) after first running.
- If a power failure or temporary malfunction arises while the product is running, ices may melt a little and refreeze. In this case, ices may stick to each other. In the event that the power failure or the malfunction goes on, ices may melt and cause a water leakage. When such a problem exists, clean the ice container by pouring the ices left in the ice container.
- The water system of the product should only be connected to cold water line. It should not be connected to the hot water line.
- Water may not be taken during the first operation of the product. This is because there is air in the system. You have to discharge the air in the system. For this purpose, press on the trigger of the dispenser for 1-2 minutes until the water comes from the water dispenser. At the beginning, the water flow may be irregular. Water flow will return to normal after the air in the system is discharged.
- A blurry water may come out when the filter is used for the first time. The first 10 glasses of water should not be consumed.
- When the product is set up for the first time, approximately 12 hours should be passed for the water to cool.

- The water system of the product has been designed in a way that it can only work with clean water. Do not use any beverage except water.
- If you will not use the product for a long time for the reasons of vacation etc., we recommend you to cancel the water connection. When the water dispenser is not used for a long time, the first 1-2 glasses of water may come out hot.

Drip tray

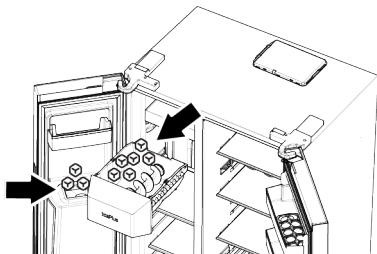
The water dripping from the water dispenser accumulates on the drip tray, there is not a water outlet. You can take out the drip tray by pulling it toward yourself or pressing on its edge. You can clean the water in the drip tray in this way.



Ice Machine

Ice machine is on the upper section of the freezer body.

By grabbing the handle under the front part, pull the ice storage bin towards yourself to remove.



To remove the ice storage bin

Grab the handle on the bottom of the bin and pull it towards yourself.

To reinstall the ice storage bin

Put the bin to its slot and push it back holding parallel to the ground. Please make sure that no space will be left between the bin and the ice maker compartment.

In case you cannot get all the ice cubes produced

Ice cubes remaining in the storage bin for a long time may stick together and form large ice blocks. In this case, remove the ice storage bin as described in the manual, separate ice cubes, remove the ones that cannot be separated from the bin and put the remaining cubes back into the bin.

If the problem persists, please check the ice channel, and clear if it is blocked.

When using the ice machine for the first time or after a long period

Ice cubes may get smaller due to the residual air in the water system. The air will be automatically discharged after being used for some time.

- Do not use the ice cubes produced on the first day so that you can refresh all remaining water in the system.
- Do not insert your hand or any other object into the ice channel and ice crushing blades while the refrigerator is operating.
- Do not allow kids to hang onto the ice machine, ice storage bin or water/ice dispenser.
- Grasp the ice storage bin firmly with both hands so as not to drop it.
- When you close the door of your appliance fast, the water in the ice maker may splash into the ice storage bin.
- Do not disassemble the ice storage bin unless necessary.
- In case of a jam (appliance does not drop ice) while getting crushed ice, try getting ice cube.
- Then you can retry getting crushed ice.

- When getting crushed ice, the appliance may produce ice cubes first. It is possible for the appliance to produce ice cubes when getting crushed ice.
- The freezer door of the ice machine may be covered by a light frost and a film layer.
- This is normal and we recommend you to immediately clean it.
- After some time, water may fill in the grid which is at the bottom of the water dispenser.
- We recommend you to remove the water in the grid regularly.
- It is normal to hear a sound when ice cubes are falling down from the ice storage bin. This does not mean any malfunction.
- The blade mechanism of the ice bin is sharp and may injure your hand.
- If ice cubes aren't released from the ice dispenser, it means that the ice cubes may be stuck together. You need to clean the bin to continue to get ice cubes.
- When the trigger is pressed to get ice (Indicator etc.), ice type cannot be changed. You should release the trigger (Indicator etc.), change the ice type and take ice again. For this purpose, you can take ice again after changing the ice type on the indicator.

9.2 Egg holder

You can place the egg holder on the door or body shelf you wish.

If the egg holder is to be placed on the body shelf, we recommend you to choose colder lower shelves.

- Never place the egg holder on the freezer compartment.

9.3 Crisper

The refrigerator's crisper is designed to keep vegetables fresh by preserving their humidity. For this purpose, the overall cold air circulation is intensified in the crisper. Keep fruits and vegetables in this compartment. Keep the green-leaved vegetables and fruits separately to prolong their life.

9.4 Dairy Products Cold Storage Area

Cold Storage Drawer

The Cold Storage Drawer can reach lower temperatures in the cooler compartment. Use this drawer for delicatessen products (salami, sausage, etc.) and dairy products that require colder storage conditions, or for meat, chicken or fish to be consumed quickly. It is not suitable to store fruits and vegetables in this drawer.

9.5 Humidity Controlled Crisper

With the humidity controlled crisper feature, the humidity of vegetables and fruits is kept under control and the food is kept fresh for a longer period of time.

We recommend that you place leafy vegetables such as lettuce, spinach and similar vegetables that are sensitive to moisture loss in the crisper, not upright on their roots, but as horizontally as possible.

When placing the vegetables, place heavy and hard vegetables at the bottom and light and soft ones on the top, taking into account the specific weights of vegetables.

Never leave vegetables in plastic bags in the crisper. Leaving them in plastic bags causes vegetables to rot in a short time.

In situations where contact with other vegetables is not preferred, use packaging materials such as paper that has a certain level of porosity in terms of hygiene.

Do not put fruits that have a high ethylene gas production such as pear, apricot, peach and particularly apple in the same crisper with other vegetables and fruits. The ethylene gas coming out of these fruits might cause other vegetables and fruits to mature faster and rot in a shorter period of time.

9.6 Water connection

(This feature is optional)



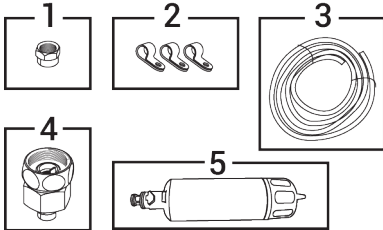
WARNING

The product and the water pump, if any, must be unplugged during connection.

The mains, filter and carboy connections of your product must be made by an authorized service center.

Depending on the model, you can connect your product to a carboy or directly to the water network. To make this connection, you must first connect the water hose to the product.

Depending on the model of your product, check whether the following parts are included with the product:

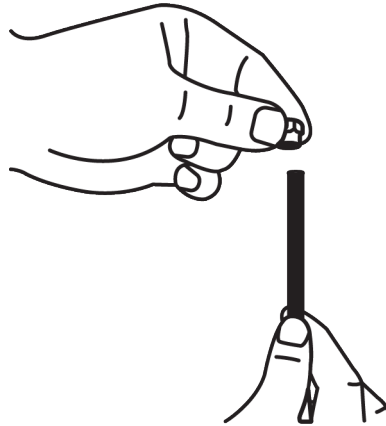
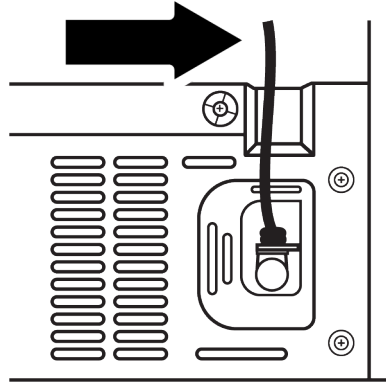


1. Union (1 piece) : Used for attaching the water hose to the back of the product.
2. Hose clip (3 pieces) : Used for fixing the water hose to the wall.
3. Water hose (1 piece, 5 meters diameter 1/4 inch): Used for making water connections.
4. Faucet adapter (1 piece) : Used for cold water mains line connection with porous filter.
5. Water filter (1 piece *Optional): It is used to connect the mains water to the product. If there is a carboy connection; there is no need to use a water filter.

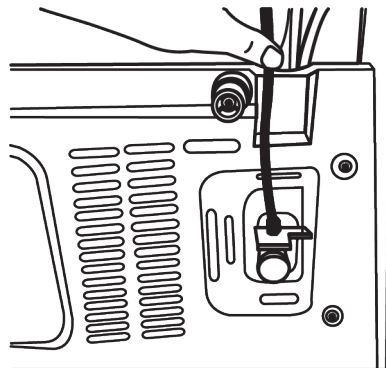
Connecting the water hose to the product

Follow the instructions below to connect the water hose to the product.

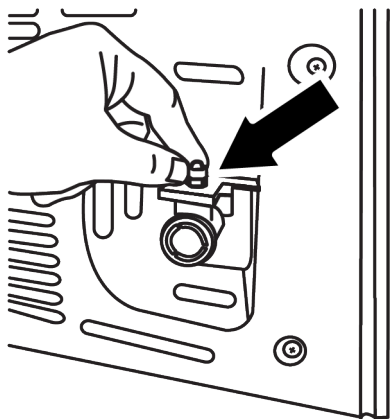
1. Remove the fitting from the hose end adapter attached to the back of the product, thread the fitting onto the water hose.



2. Attach the water hose to the hose-end adapter by pressing down firmly.



3. Secure the union to the hose-end adapter by hand tightening. You can tighten the union using a pipe wrench or pliers.



Connecting to mains water

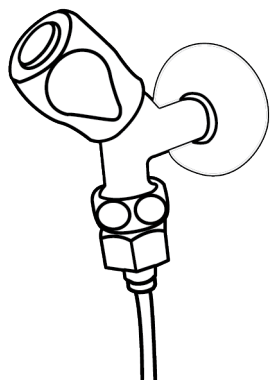
(This feature is optional)

If you are going to use the product by connecting it to the cold water line, you need to install a standard 1/2" valve fitting on the cold water network in your home. If this fitting is not available and you are not sure, consult a qualified plumber.

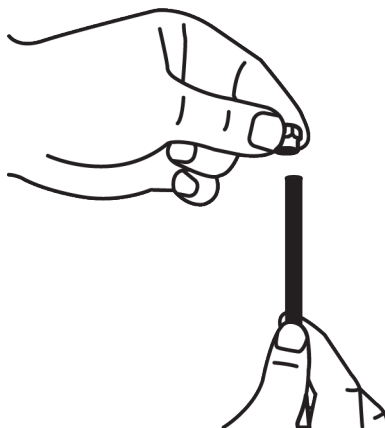
1. Disconnect the union from the faucet adapter.



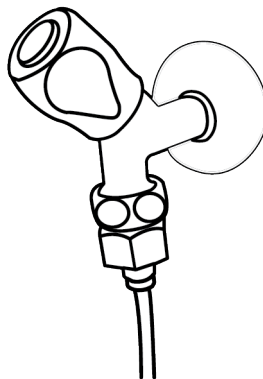
2. Connect the faucet adapter to the mains line valve.



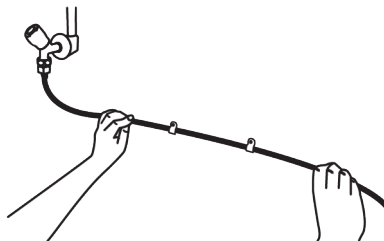
3. Thread the union onto the water hose.



4. Thread the union onto the faucet adapter and tighten by hand/tool.



5. Secure the water hose in suitable places with the clips provided to prevent damage, slipping or accidental dislodging.





WARNING

After opening the faucet, make sure that there is no water leakage at both joints of the water hose. In case of leakage, close the valve immediately and tighten all joints with a pipe wrench or pliers.

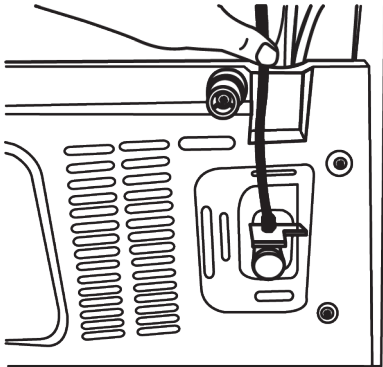
For products to be used in carboys;

(This feature is optional)

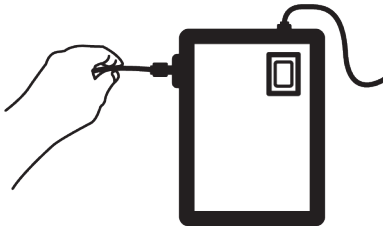
In order to connect carboy water to the product, the water pump recommended by the authorized service is required.

In order to connect carboy water to the product, the water pump recommended by the authorized service is required.

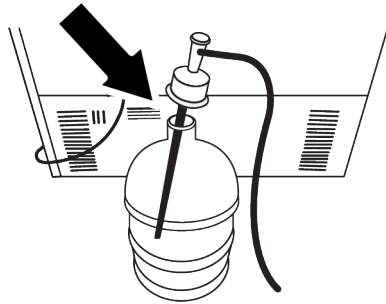
1. After connecting one end of the water hose from the pump to the product, follow the instructions below.



2. Make the connection by pushing the other end of the water hose into the water hose inlet of the pump.



3. Secure the pump hose by placing it into the carboy.



4. After completing the connection, plug the pump into the socket and start the pump.



After starting the pump, wait 2-3 minutes for it to reach the desired efficiency.



Refer to the instruction manual of the pump while making the water connection.



If carboy will be used, there is no need to use a water filter.

Water filter

(This feature is optional)

Depending on the model, your product may have an external or internal filter. To install the water filter, follow the instructions below.

Mounting the external filter on the wall

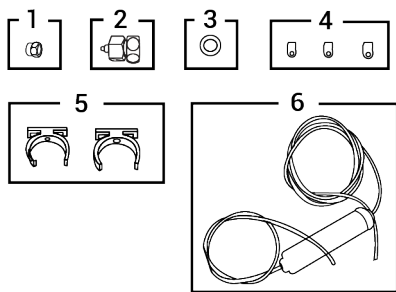
(This feature is optional)



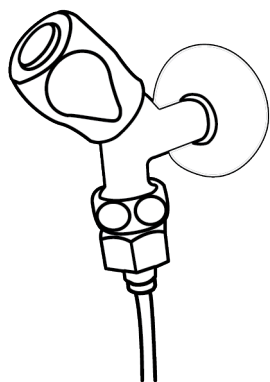
WARNING

Do not install the filter on the product.

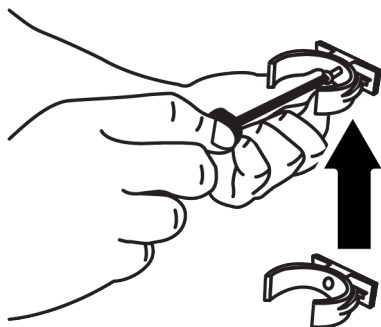
Depending on the model of your product, check whether the following parts are included with the product:



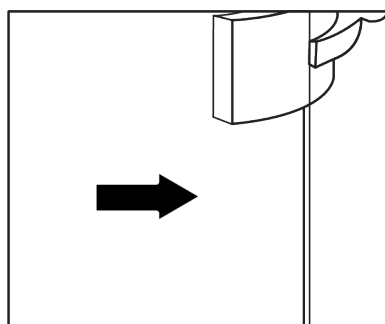
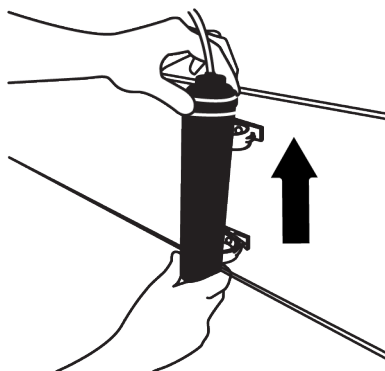
1. Union (1 piece) : Used for attaching the water hose to the back of the product.
2. Faucet adapter (1 piece) : Used for cold water mains line connection.
3. Porous filter (1 piece)
4. Hose clip (3 pieces) : Used for fixing the water hose to the wall.
5. Filter connection apparatus (2 pieces) : Used for mounting the filter on the wall.
6. Water filter (1 piece): It is used to connect the mains water to the product. If there is a carboy connection; there is no need to use a water filter.
7. Connect the faucet adapter to the mains line valve.
8. Determine the place where the external filter will be fixed. Mount the filter connection apparatus (5) on the wall.
9. Attach the filter perpendicularly to the filter bracket as indicated on the label. (6).



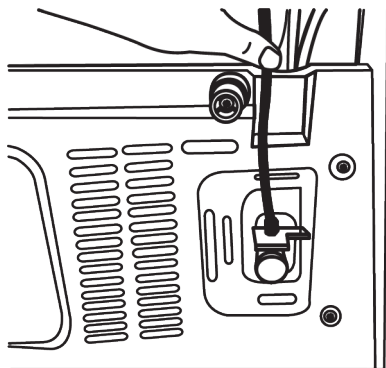
10. Connect the water hose coming out of the top of the filter to the water connection adapter of the product.



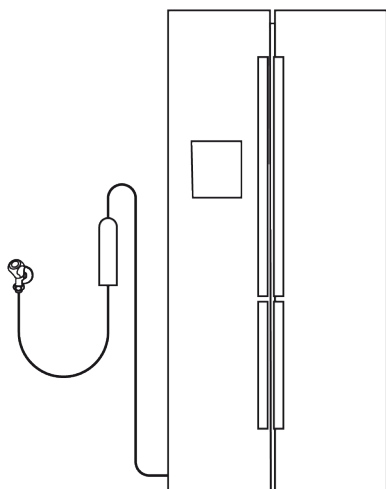
11. After the connection is completed, the image should be as shown below.



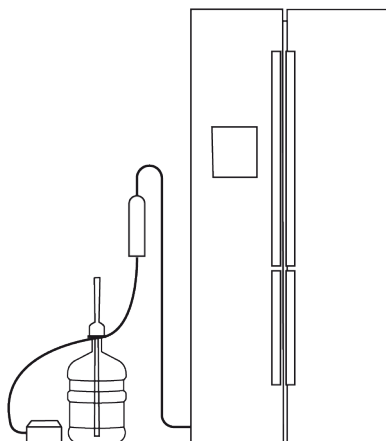
Since the internal filter that comes in the product does not come installed, the necessary procedures for its preparation are as follows:



Water line

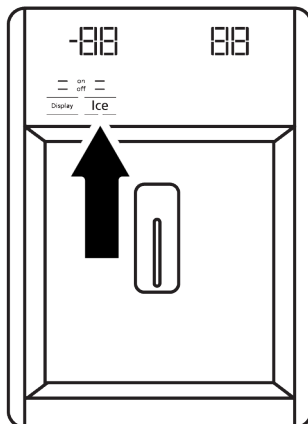


Carboy line:



i Do not use the first 10 glasses of water after connecting the filter.

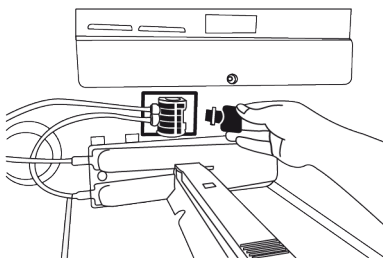
1. For filter installation, the **"Ice Off"** indicator must be active. Switching between ON and OFF indicators on the display is done by pressing the **"Ice"** button.



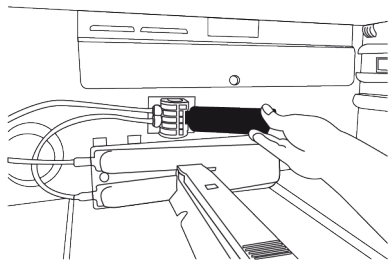
2. Remove the crisper compartment to access the water filter.
3. Remove the water filter by-pass cover by pulling it towards you.

i It is normal for a few drops of water to come out after the cover is removed.

4. Insert the water filter cover into the mechanism and push it forward to lock it in place.



5. Exit the **"Ice Off"** mode by pressing the **"Ice"** button on the display again.



i The water filter removes some foreign particles from the water. It does not purify the water from microorganisms.

10 Maintenance and Cleaning

Read the "Safety Instructions" first!

Before cleaning your product, unplug it or de-energize the fuse to which it is connected.

Do not place your hands, feet or metal objects under the refrigerator or between the refrigerator and the floor for whatsoever reason. Jamming may occur or any sharp edge may cause personal injuries.

- Do not use sharp or abrasive tools to clean the product. Do not use materials such as household cleaning agents, soap, detergents, gas, gasoline, thinner, alcohol, wax, etc.
- The dust shall be removed from the ventilation grill on the rear of the product at least once a year (without opening the cover). Clean the product with a dry cloth.

For products with Water Dispenser / Ice Maker

- If the water in the water tank has waited for 2-3 weeks, it shall be replaced.
- The water tank and the components of the water dispenser shall not be washed in dishwashers.
- Melt a teaspoonful of carbonate in half a litre of water. Moisten a piece of cloth in the water and wring out. Wipe the device with this cloth and dry off thoroughly.
- Take care to keep water away from the lamp's cover, LED lighting glass, vent holes or other electrical parts. Risk of electric shock and short circuit!

- Do not open live sections (control board cover, compressor rear cover if any, etc.) without the presence of an authorized person and do not perform any cleaning, maintenance or repair here. If your product has no cover in the compressor section, do not touch this area with your hands or with any object. Risk of electric shock and injury!
- Clean the door with a damp cloth. Remove door and body racks, as well as all contents within the refrigerator. Remove the door racks by lifting them upwards. Clean and dry the racks, then attach back in place by sliding from above.
- Do not use chlorinated water or cleaning products on the exterior surface and chrome coated parts of the product. Chlorine will cause rust on such metallic surfaces.
- Do not place your hands, feet or metal objects under the refrigerator. Jamming may occur or any sharp edge may cause personal injuries..
- Do not use sharp and abrasive tools, soap, house cleaning materials, detergents, gas, gasoline, varnish and similar substances to prevent deformation of and removal of prints on the plastic part. Use warm water and a soft cloth for cleaning, and then dry it.

On the products without a No-Frost feature;

- Water droplets and icing up to a thickness of a finger may occur on the rear wall of the freezer compartment. Do not clean, and never apply oils or similar materials.
- Use a mildly dampened micro-fibre cloth to clean the external surface of the product. Sponges and other types of cleaning clothes may cause scratches.
- To clean all removable components during the cleaning of the interior surface of the product, wash these components with a mild solution consisting of soap, water and carbonate. Wash and dry thoroughly. Prevent contact of water with illumination components and the control panel.
- Take care to keep water away from the lamp's cover and other electrical parts.
- Clean the door with a damp cloth. Remove all contents to remove the door and body racks. Remove the door racks by lifting them upwards. Clean and dry the shelves, then attach back in place by sliding from above.
- Do not use chlorinated water or cleaning products on the exterior surface and chrome coated parts of the product. Chlorine will cause rust on such metallic surfaces.
- Do not use sharp and abrasive tools, soap, house cleaning materials, detergents, gas, gasoline, varnish and similar substances to prevent deformation of and removal of prints on the plastic part. Use warm water and a soft cloth for cleaning, and then dry it.
- On the products without a No-Frost feature, water droplets and icing up to a thickness of a finger may occur on the rear wall of the cooler compartment. Do not clean, and never apply oils or similar materials.
- Use only a mildly dampened micro-fibre cloth to clean the external surface of the product. Sponges and other types of cleaning clothes may cause scratches.
- To clean all removable components during the cleaning of the interior surface of the product, wash these components with a mild solution consisting of soap, water and carbonate. Wash and dry thoroughly. Prevent contact of water with illumination components and the control panel.
- Do not use vinegar, rubbing alcohol or other alcohol based cleaning agents on any interior surface.

Stainless Steel External Surfaces

Use a non-abrasive stainless steel cleaning agent and apply it with a soft lint-free cloth. To polish, gently wipe the surface with a micro-fibre cloth dampened with water and use dry polishing chamois. Always follow the veins of the stainless steel.

Preventing Odours

The product is manufactured free of any odorous materials. However, inappropriately storing food and improper cleaning of internal surfaces may lead to odours.

- To avoid this, clean the inside with carbonated water every 15 days.
- Keep the foods in sealed holders, as micro-organisms arising from foods kept in unsealed containers will cause bad odour.
- Do not keep expired and spoilt foods in the refrigerator.

Protecting Plastic Surfaces

Oil spilled on plastic surfaces may damage the surface and must be cleaned immediately with warm water.

11 Troubleshooting

Read the "Safety Instructions" first!

Check this list before contacting the service. Doing so will save you time and money. This list includes frequent com-

plaints that are not related to faulty workmanship or materials. Certain features mentioned herein may not apply to your product.

If the problem persists after following the instructions in this section, contact your vendor or an Authorized Service. Do not try to repair the product.

The refrigerator is not working.

- The power plug is not fully settled. >>> Plug it in to settle completely into the socket.
- The fuse connected to the socket powering the product or the main fuse is blown. >>> Check the fuse.

Condensation on the side wall of the cooler compartment (MULTI ZONE, COOL CONTROL and FLEXI ZONE).

- The door is opened too frequently. >>> Take care not to open the product's door too frequently.
- The environment is too humid. >>> Do not install the product in humid environments.
- Foods containing liquids are kept in unsealed holders. >>> Keep the foods containing liquids in sealed holders.
- The product's door is left open. >>> Do not keep the product's door open for long periods.
- The thermostat is set to a very cool temperature. >>> Set the thermostat to an appropriate temperature.

Compressor is not working.

- In case of sudden power failure or pulling the power plug off and putting back on, the gas pressure in the product's cooling system is not balanced, which triggers the compressor thermic safeguard. The product will restart after approximately 6 minutes. If the product does not restart after this period, contact the service.
- Defrosting is active. >>> This is normal for a fully-automatic defrosting product. The defrosting is carried out periodically.
- The product is not plugged in. >>> Make sure the power cord is plugged in.

- The temperature setting is incorrect. >>> Select the appropriate temperature setting.
- The power is out. >>> The product will continue to operate normally once the power is restored.

The refrigerator's operating noise is increasing while in use.

- The product's operating performance may vary depending on the ambient temperature variations. This is normal and not a malfunction.

The refrigerator runs too often or for too long.

- The new product may be larger than the previous one. Larger products will run for longer periods.
- The room temperature may be high. >>> The product will normally run for long periods in higher room temperature.
- The product may have been recently plugged in or a new food item is placed inside. >>> The product will take longer to reach the set temperature when recently plugged in or a new food item is placed inside. This is normal.
- Large quantities of hot food may have been recently placed into the product. >>> Do not place hot food into the product.
- The doors were opened frequently or kept open for long periods. >>> The warm air moving inside will cause the product to run longer. Do not open the doors too frequently.
- The freezer or cooler door may be ajar. >>> Check that the doors are fully closed.
- The product may be set to a temperature that is too low. >>> Set the temperature to a higher degree and wait for the product to reach the adjusted temperature.
- The cooler or freezer door washer may be dirty, worn out, broken or not properly settled. >>> Clean or replace the gasket. Damaged / torn door washer will cause the product to run for longer periods to preserve the current temperature.

The freezer temperature is very low, but the cooler temperature is adequate.

- The freezer compartment temperature is set to a very low degree. >>> Set the freezer compartment temperature to a higher degree and check again.

The cooler temperature is very low, but the freezer temperature is adequate.

- The cooler compartment temperature is set to a very low degree. >>> Set the cooler compartment temperature to a higher degree and check again.

The food items kept in cooler compartment drawers are frozen.

- The cooler compartment temperature is set to a very low degree. >>> Set the cooler compartment temperature to a higher degree and check again.

The temperature in the cooler or the freezer is too high.

- The cooler compartment temperature is set to a very high degree. >>> Temperature setting of the cooler compartment has an effect on the temperature in the freezer compartment. Wait until the temperature of relevant parts reach the sufficient level by changing the temperature of cooler or freezer compartments.
- The doors were opened frequently or kept open for long periods. >>> Do not open the doors too frequently.
- The door may be ajar. >>> Fully close the door.
- The product may have been recently plugged in or a new food item is placed inside. >>> This is normal. The product will take longer to reach the set temperature when recently plugged in or a new food item is placed inside.
- Large quantities of hot food may have been recently placed into the product. >>> Do not place hot food into the product.

Shaking or noise.

- The surface is not flat or durable >>> If the product is shaking when moved slowly, adjust the stands to balance the product. Also make sure the ground is sufficiently durable to bear the product.
- Any items placed on the product may cause noise. >>> Remove any items placed on the product.
- The product is making noise of liquid flowing, spraying etc.
- The product's operating principles involve liquid and gas flows. >>> This is normal and not a malfunction.

There is sound of wind blowing coming from the product.

- The product uses a fan for the cooling process. This is normal and not a malfunction.

There is condensation on the product's internal walls.

- Hot or humid weather will increase icing and condensation. This is normal and not a malfunction.
- The doors were opened frequently or kept open for long periods. >>> Do not open the doors too frequently; if open, close the door.
- The door may be ajar. >>> Fully close the door.

There is condensation on the product's exterior or between the doors.

- The ambient weather may be humid, this is quite normal in humid weather. >>> The condensation will dissipate when the humidity is reduced.

The interior smells bad.

- The product is not cleaned regularly. >>> Clean the interior regularly using sponge, warm water and carbonated water.
- Certain holders and packaging materials may cause odour. >>> Use holders and packaging materials without free of odour.

- The foods were placed in unsealed holders. >>> Keep the foods in sealed holders. Micro-organisms may spread out of unsealed food items and cause bad odour.
- Remove any expired or spoiled foods from the product.

The door is not closing.

- Food packages may be blocking the door. >>> Relocate any items blocking the doors.
- The product is not standing in full upright position on the ground. >>> Adjust the stands to balance the product.
- The surface is not flat or durable >>> Make sure the surface is flat and sufficiently durable to bear the product.

The crisper is jammed.

- The food items may be in contact with the upper section of the drawer. >>> Reorganize the food items in the drawer.

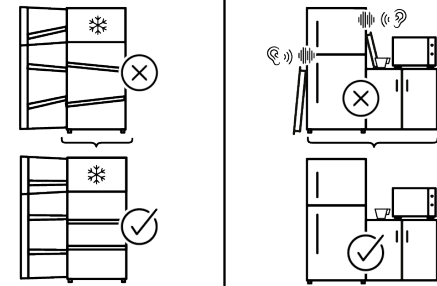
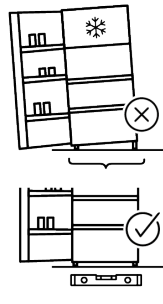
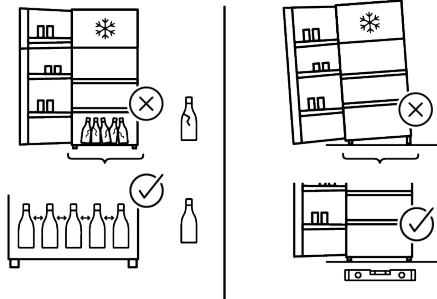
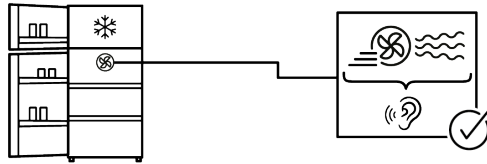
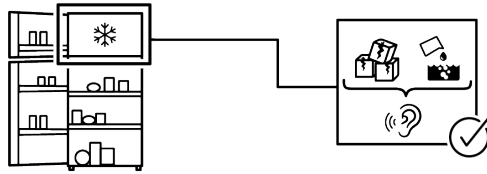
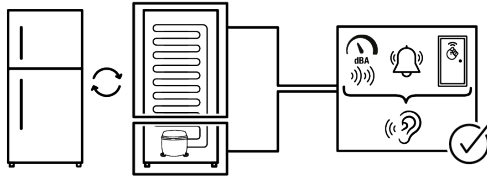
Temperature on the product surface.

- High temperature may be observed between two doors, on the side panels and on the rear grill area while your product is operated. This is normal and it does not require servicing.

Fan continues to operate when the door is opened.

- Fan may continue to operate when the freezer door is open.

If the problem persists after following the instructions in this section, contact your vendor or an Authorized Service. Do not try to repair the product. This is normal.



DISCLAIMER

Some (simple) failures can be adequately handled by the end-user without any safety issue or unsafe use arising, provided that they are carried out within the limits and in accordance with the following instructions (see the "Self-Repair" section).

Therefore, unless otherwise authorized in the "Self-Repair" section below, repairs shall be addressed to registered professional repairers in order to avoid safety issues. A registered Professional repairer is a professional repairer that has been granted access to the instructions and spare parts list of this product by the manufacturer according to the methods described in legislative acts pursuant to Directive 2009/125/EC.

However, only the service agent (i.e. authorized professional repairers) that you can reach through the phone number given in the user manual/warranty card or through your authorized dealer may provide service under the guarantee terms. Therefore, please be advised that repairs by professional repairers (who are not authorized by) Bauknecht shall void the guarantee.

Self-Repair

Self-repair can be done by the end-user with regard exclusively to the following spare parts: door handles, door hinges, trays, baskets and door gaskets (an updated list is also available <https://parts-selfservice.europeanappliances.com> as of 1st March 2021).

Moreover, to ensure product safety and to prevent risk of serious injury, the mentioned self-repair shall be done following the instructions in the user manual for selfrepair or which are available in <https://parts-selfservice.europeanappliances.com>. For your safety, unplug the product before attempting any self-repair.

Repair and repair attempts by end-users for parts not included in such list and/or not following the instructions in the user manuals for self-repair or which are available in <https://parts-selfservice.europeanappliances.com>, might give rise to safety issues not attributable to Bauknecht, and will void the warranty of the product.

Therefore, it is highly recommended that end-users refrain from the attempt to carry out repairs falling outside the mentioned list of spare parts, contacting in such cases authorized professional repairers or registered professional repairers. On the contrary, such attempts by end-users may cause safety issues and damage the product and subsequently cause fire, flood, electrocution and serious personal injury to occur.

By way of example, but not limited to, the following repairs must be addressed to authorized professional repairers or registered professional repairers: compressor, cooling circuit, main board, inverter board, display board, etc.

The manufacturer/seller cannot be held liable in any case where end-users do not comply with the above.

The spare part availability of the refrigerator that you purchased is 10 years. During this period, original spare parts will be available to operate the refrigerator properly. The minimum duration of guarantee of the refrigerator that you purchased is 24 months.

This product is equipped with a lighting source of the "G" energy class.

The lighting source in this product shall only be replaced by Professional repairer.

Premièrement veuillez lire ce manuel !

Cher client, chère cliente,

Nous vous remercions d'avoir choisi ce produit.

Nous aimerions que vous obteniez une efficacité optimale de cet appareil de haute qualité qui a été fabriqué avec une technologie de pointe. Pour ce faire, lisez attentivement ce manuel et toute autre documentation fournie avant d'utiliser le produit.

Tenez compte de toutes les informations et avertissements du manuel d'utilisation. De cette façon, vous vous protégez, vous et votre appareil, contre les dangers qui peuvent survenir. Conservez le manuel d'utilisation. Joignez ce guide à l'unité si vous le remettez à quelqu'un d'autre.






Les symboles suivants sont utilisés dans le manuel de l'utilisateur et sur le produit :



Lisez le manuel d'utilisation.



Il s'agit d'un danger qui peut entraîner la mort ou des blessures.

 ENERG  	Les informations sur le modèle, telles qu'elles sont enregistrées dans la base de données des produits, peuvent être obtenues en accédant au site web suivant et en recherchant l'identifiant du modèle (*) figurant sur l'étiquette énergétique.
SUPPLIER'S NAME	MODEL IDENTIFIER → (*)
	
	https://eprel.ec.europa.eu/



	10 Entretien et nettoyage.....	74
	11 Dépannage.....	76
1	Consignes de sécurité.....	42
1.1	Intention d'utilisation.....	42
1.2	Sécurité des enfants, des personnes vulnérables et des animaux domestiques.....	42
1.3	Sécurité électrique.....	43
1.4	Sécurité de manipulation	44
1.5	Sûreté des installations	45
1.6	Sécurité de fonctionnement	48
1.7	Sécurité du stockage des aliments	52
1.8	Sécurité relative à l'entretien et au nettoyage	53
1.9	Éclairage	54
1.10	Mise au rebut de l'ancien produit .	54
2	Instructions environnementales	55
2.1	Conformité avec la directive DEEE et élimination des déchets..	55
3	Votre réfrigérateur	56
4	Installation.....	57
5	Préparation.....	59
5.1	Moyens d'économiser l'énergie....	59
5.2	Première utilisation	60
5.3	Classe climatique et définitions...	60
6	Fonctionnement de l'appareil	60
7	Panneau de contrôle du produit.....	61
8	Utilisation de votre appareil.....	63
8.1	Stockage des aliments dans le compartiment du congélateur et du réfrigérateur.....	63
8.2	Remplacement de la lampe d'éclairage.....	65
8.3	Alerte de porte ouverte.....	66
9	Caractéristiques du produit.....	66
9.1	La zone de stockage de la glace ..	66
9.2	Porte-œuf	68
9.3	Bac à légumes	68
9.4	Zone d'entreposage frais des produits laitiers	68
9.5	bac à légumes avec contrôle d'humidité	69
9.6	Raccordement de l'eau	69

1 Consignes de sécurité

- Cette section contient les instructions de sécurité nécessaires à la prévention des risques de dommage corporel ou de dommage matériel.
- Notre entreprise ne peut être tenue pour responsable des dommages qui peuvent se produire si ces instructions ne sont pas respectées.
- Confiez toujours les travaux d'installation et de réparation au fabricant, à un service après-vente agréé ou à une personne décrite par l'importateur.
- Utilisez uniquement des pièces de rechange et des accessoires d'origine.
- Évitez de réparer ou de remplacer tout composant de l'appareil sauf si cela est clairement spécifié dans le manuel d'utilisation.
- Il ne faut pas effectuer de modifications sur l'appareil.
- Cet appareil est prévu pour un usage à l'intérieur, notamment les ménages ou autres.
Par exemple ;
cuisines du personnel des magasins, bureaux et autres environnements professionnels, les maisons de campagne, unités des hôtels, motels ou autres installations de repos utilisées par les clients, hôtels ou environnements similaires, services de restauration et les espaces semblables de vente en gros.
- Ce produit ne doit pas être utilisé dans des espaces extérieurs ouverts ou fermés tels que des bateaux, des camping-cars, des balcons ou des terrasses. L'exposition de l'appareil à la pluie, à la neige, au soleil et au vent présente un risque d'incendie.

1.1 Intention d'utilisation

- Ce produit n'est pas destiné à un usage commercial et ne doit pas être utilisé à d'autres fins que celles pour lesquelles il a été conçu.

1.2 Sécurité des enfants, des personnes vulnérables et des animaux domestiques



- Cet appareil peut être utilisé par des enfants âgés d'au moins 8 ans, ainsi que par des personnes avec des capacités

physiques, sensorielles ou mentales réduites ou sans expérience et connaissances, si elles sont supervisées ou ont été formées à l'utilisation sécurisée de l'appareil et comprennent les risques relatifs.

- Les enfants de 3 à 8 ans sont autorisés à mettre les aliments dans la glacière et à les enlever.
- Les enfants et les animaux domestiques ne doivent pas jouer avec le produit, ni grimper dessus, ni y entrer.
- Les enfants et les animaux domestiques doivent être tenus à l'écart de la zone de la cabine (compresseur) où se trouvent les pièces électriques.
- Le nettoyage et l'entretien des utilisateurs ne doivent pas être effectués par des enfants, sauf s'il y a une personne qui les surveille.
- Tenez les emballages hors de la portée des enfants. Risque de blessure et d'asphyxie .
- Si une serrure est disponible sur la porte de l'appareil, gardez la clé hors de la portée des enfants.

1.3 Sécurité électrique

- Il ne faut pas brancher le produit dans la prise de courant pendant les opérations d'ins-

tallation, d'entretien, de nettoyage, de réparation et de transport.

- Si le câble d'alimentation est endommagé, il doit être remplacé par la personne envoyée par le fabricant, le prestataire de services agréé ou l'importateur afin d'éviter tout danger potentiel.
- Ne placez pas le câble d'alimentation sous l'appareil ou à l'arrière de celui-ci. Ne placez aucun objet lourd sur le câble d'alimentation. Le câble d'alimentation ne doit pas être plié, écrasé et entrer en contact avec une source de chaleur.
- Utilisez uniquement un câble d'origine. N'utilisez pas de câbles coupés ou endommagés.
- N'utilisez pas de rallonge, de prise multiple ou d'adaptateur pour faire fonctionner votre appareil.
- Les prises multiples mobiles ou les blocs d'alimentation portatifs peuvent surchauffer et causer un incendie. Par conséquent, ne placez pas de multiprises ou de sources d'alimentation portables derrière ou à proximité de l'appareil.
- Avant de brancher le produit sur la source d'alimentation, veuillez retirer le câble d'ali-

mentation du crochet du condenseur (le cas échéant) pendant l'installation.

- L'utilisateur ne doit pas pouvoir atteindre les parties électriques après l'installation.
- Ne branchez pas le cordon d'alimentation du produit dans une prise de courant mal fixée ou endommagée. Ces types de connexions peuvent surchauffer et provoquer un incendie..
- La prise doit être facilement accessible. Si cela n'est pas possible, l'installation électrique doit être dotée d'un mécanisme conforme à la réglementation en matière d'électricité et qui déconnecte toutes les bornes du réseau (fusible, interrupteur, commutateur principal, etc.).
- Le produit ne doit pas être utilisé avec un dispositif de commutation externe tel qu'une minuterie ou un système télécommandé.
- N'utilisez pas l'appareil lorsque vous avez les pieds nus ou le corps mouillé.
- Évitez de toucher le cordon d'alimentation avec des mains humides.
- Lorsque vous débranchez l'appareil, ne tenez pas le cordon d'alimentation, mais la prise.

- Assurez-vous que la prise n'est pas mouillée, sale ou poussiéreuse.
- Ne branchez jamais votre réfrigérateur sur des dispositifs d'économie d'énergie. Ces systèmes sont nocifs pour l'appareil.



1.4 Sécurité de manipulation

- Assurez-vous de débrancher l'appareil avant de le transporter.
- Cet appareil est lourd, ne le manipulez pas seul. Vous risquez de vous blesser si le produit tombe sur vous. Ne heurtez pas l'appareil et ne le faites pas tomber pendant son transport.
- Fermez toujours les portes et ne tenez pas l'appareil par ses portes lorsque vous le transportez.
- Veillez à ne pas endommager le système de refroidissement et les tuyaux lorsque vous manipulez l'appareil. Évitez de faire fonctionner l'appareil si les tuyaux sont endommagés et contactez un service agréé.



1.5 Sûreté des installations

- Pour préparer l'appareil à l'utilisation, lisez attentivement les instructions du manuel d'utilisation et assurez-vous que les équipements électriques et d'approvisionnement d'eau sont installés convenablement. Si ce n'est pas le cas, appelez un électricien et un plombier qualifiés pour faire le nécessaire.
- **Le non-respect de cette consigne peut entraîner un choc électrique, un incendie, des problèmes avec le produit ou des blessures.**
- Avant de commencer l'installation, coupez le fusible pour mettre hors tension la ligne électrique à laquelle le produit est connecté.
- Le produit doit être installé par deux personnes ou plus. Utilisez des gants de protection pour retirer le produit de son emballage et l'installer.
- Le produit est conçu pour être utilisé à une altitude maximum de 2000m au-dessus du niveau de la mer.
- Tenez les enfants à l'écart de la zone d'installation.
- Vérifiez que l'appareil n'est pas endommagé avant de l'installer. N'installez pas l'appareil lorsqu'il est endommagé.
- Utilisez toujours un équipement de protection individuelle (gants, etc.) pendant l'installation, l'entretien et la réparation du produit. Risque de blessure.
- N'installez pas et ne laissez pas le produit dans des endroits où il pourrait être exposé à des températures ambiantes externes.
- Placez le produit sur une surface propre, plane et dure et équilibrez-le à l'aide des pieds réglables (en tournant les pieds avant vers la droite ou la gauche). Sinon, le réfrigérateur risque de se renverser et provoquer des blessures.
- Procédez avec précaution pour éviter d'endommager les sols (carrelage, etc.) lorsque vous déplacez le produit. Installez le produit sur un sol ou fournissez un support suffisant en fonction de la taille, du poids et de l'utilisation du produit. Assurez-vous que le produit n'est pas à proximité d'une source de chaleur et que ses quatre pieds sont stables et appuyés contre le sol. Installez le produit selon les besoins et assurez-vous qu'il est horizontal, en

- utilisant un niveau à bulle. Pour garantir l'efficacité complète du circuit de réfrigération, attendez au moins deux heures avant de faire fonctionner le produit.
- Installez l'appareil dans un endroit sec et ventilé. Ne laissez pas de tapis, de moquettes ou d'autres revêtements similaires sous l'appareil. Ils peuvent entraîner un risque d'incendie en raison d'une ventilation inadéquate !
 - N'obstruez pas ou ne couvrez pas les orifices de ventilation. Sinon, la consommation d'énergie risque d'augmenter et votre produit pourrait être endommagé.
 - Laissez suffisamment d'espace sur les côtés et au-dessus pour assurer une ventilation adéquate. L'espace entre le panneau arrière et le mur derrière le produit doit être d'au moins 50 mm afin d'éviter les surfaces chaudes. Réduire cette distance peut augmenter la consommation d'énergie du produit.
 - Lorsque vous installez le produit, veillez à ce que le câble d'alimentation ne soit pas endommagé ou pincé.
 - Le produit ne doit pas être connecté à des systèmes d'alimentation et à des sources d'énergie susceptibles de provoquer des variations soudaines de tension (par exemple, une source d'énergie solaire portable). Autrement, votre appareil pourrait être endommagé par les fluctuations brusques de la tension !
 - Plus un réfrigérateur contient de réfrigérant, plus grande doit être la pièce d'installation. Dans les très petites pièces, un mélange gaz-air inflammable peut se produire en cas de fuite de gaz dans le système de refroidissement. Au moins 1 m³ de volume est requis pour chaque 8 grammes de réfrigérant. La quantité de réfrigérant disponible dans votre appareil est indiquée sur la plaque signalétique.
 - Le produit ne doit jamais être placé de manière à ce que les câbles électriques, le tuyau métallique de la cuisinière à gaz, les tuyaux métalliques de gaz ou d'eau entrent en contact avec la paroi arrière du produit (ou le condenseur).
 - Le lieu d'installation du produit ne doit pas être exposé à la lumière directe du soleil et ne

doit pas se trouver à proximité d'une source de chaleur telle qu'un poêle, un radiateur, etc. Si vous ne pouvez pas empêcher l'installation du produit à proximité d'une source de chaleur, utilisez une plaque isolante appropriée et assurez-vous que la distance minimale par rapport à la source de chaleur est conforme aux spécifications ci-dessous.

- À au moins 30 cm des sources de chaleur telles que les cuisinières, les fours, les appareils de chauffage, etc.
- Et à au moins 5 cm des fours électriques.
- Votre produit a la classe de protection I.
- Branchez le produit dans une prise avec mise à la terre conforme aux valeurs de tension, de courant et de fréquence indiquées sur la plaque signalétique. La prise de courant doit être équipée d'un fusible de 10 à 16A. Notre entreprise ne sera pas tenue responsable de tout dommage résultant de l'utilisation de l'appareil sans prise de mise à la terre et sans branchement électrique conforme aux normes locales et nationales en vigueur.
- Débranchez le câble d'alimentation du réfrigérateur pendant l'installation. Dans le cas contraire, vous risquez de vous électrocuter et de vous blesser !
- Ne branchez pas l'appareil sur des prises desserrées, cassées, sales, graisseuses ou qui sont sorties de leur logement ou sur des prises présentant un risque de contact avec l'eau. Ces types de connexions peuvent surchauffer et provoquer un incendie..
- Placez le câble d'alimentation et les flexibles (si disponibles) de l'appareil de sorte qu'ils ne puissent pas provoquer de risque de trébuchement.
- La pénétration de l'humidité et de liquide sur les pièces sous tension ou sur le cordon d'alimentation peut provoquer un court-circuit. Par conséquent, n'utilisez pas l'appareil dans des environnements humides ou dans des zones où l'eau peut éclabousser (p. ex., garage, buanderie, etc.). Si le réfrigérateur est mouillé par l'eau, débranchez-le et communiquez avec un service autorisé.

- Ne branchez jamais votre réfrigérateur sur des dispositifs d'économie d'énergie. Ces systèmes sont nocifs pour l'appareil.
- En retirant le couvercle de la carte électronique et le couvercle arrière du compresseur (si présent), vous risquez d'entrer en contact avec des pièces électriques. Ne retirez pas le couvercle de la carte électronique et le couvercle arrière du compresseur (si présent). Il existe un risque d'électrocution !
- pas de matériaux inflammables/explosifs à proximité de l'appareil...
- Ne montez pas sur l'appareil. Risque de chute et de blessure !
- N'endommagez pas les tuyaux du système de refroidissement avec des outils tranchants et perçants. Le réfrigérant qui s'échappe en cas de perforation des tuyaux à gaz, des tuyaux d'extension ou des revêtements de la surface supérieure peut provoquer une irritation de la peau et des lésions oculaires.



1.6 Sécurité de fonctionnement

- N'utilisez jamais de solvants chimiques sur le réfrigérateur. Ces matériaux présentent un risque d'explosion.
- En cas de défaillance du produit, débranchez-le (ou mettez hors tension le fusible auquel il est connecté) et ne l'utilisez pas jusqu'à ce qu'il soit réparé par le service agréé. Il existe un risque d'électrocution !
- Ne placez pas de flammes (bougie allumée, cigarette, etc.) ou de sources de chaleur (fer à repasser, plaque de cuisson, four, etc.) sur ou à proximité de l'appareil. Ne placez pas de matériaux inflammables/explosifs à proximité de l'appareil...
- N'intervenez pas et n'endommagez pas le circuit de refroidissement. Risque d'explosion.
- Ne placez pas et n'utilisez pas d'appareils électriques à l'intérieur du réfrigérateur/congélateur, sauf avis contraire du fabricant.
- N'utilisez pas d'autres procédures que celles recommandées par le fabricant pour accélérer le dégivrage.
- Veillez à ce qu'aucune partie de vos mains ou de votre corps ne soit en contact avec les pièces mobiles à l'intérieur de l'appareil. Faites attention à ne pas coincer vos doigts entre le réfrigérateur et sa

porte. Soyez prudent lorsque vous ouvrez ou fermez la porte en présence des enfants.

- Ne mettez pas de crème glacée, de glaçons ou d'aliments congelés dans votre bouche immédiatement après les avoir sortis du congélateur. Risque de gelure !
- Ne touchez pas les parois intérieures, les parties métalliques du congélateur ou les aliments conservés dans le congélateur avec les mains mouillées. Risque de gelure !
- Ne placez pas de canettes de soda ou de bouteilles contenant des liquides pouvant être congelés dans le compartiment congélateur. Les canettes ou les bouteilles peuvent exploser. Risque de blessures et de dommages matériels !
- N'utilisez pas ou ne placez pas de matériaux sensibles à la température tels que des aérosols inflammables, des objets inflammables, de la glace sèche ou d'autres agents chimiques à proximité du réfrigérateur. Risque d'incendie ou d'explosion !
- Ne stockez pas de matières explosives telles que des aérosols contenant des matériaux inflammables à l'intérieur de l'appareil.
- Ne placez pas de boîtes contenant des liquides sur l'appareil lorsqu'il est ouvert. Les éclaboussures d'eau sur une pièce électrique peuvent provoquer un choc électrique ou un incendie.
- En raison du risque de rupture, ne stockez pas de récipients en verre contenant du liquide dans le compartiment congélateur.
- Cet appareil n'est pas destiné au stockage et au refroidissement de médicaments, de plasma sanguin, de préparations de laboratoire ou de matériaux et produits similaires qui sont soumis à la directive sur les produits médicaux.
- Si l'appareil est utilisé à d'autres fins que celles pour lesquelles il a été conçu, il peut endommager ou détériorer les produits qu'il contient.
- Si votre réfrigérateur est équipé d'un voyant lumineux bleu, ne contemplez pas le voyant lumineux avec des instruments optiques. Ne fixez pas directement la lumière LED à UV pen-

dant une longue période, car les rayons ultraviolets peuvent entraîner la fatigue oculaire.

- Ne remplissez pas l'appareil de contenu dépassant sa capacité. N'utilisez pas d'autres procédures que celles recommandées par le fabricant pour accélérer le dégivrage. Des blessures ou des dégâts peuvent survenir au cas où le contenu du réfrigérateur tombe lorsque la porte est ouverte. Des problèmes similaires peuvent survenir lorsqu'un objet est placé sur l'appareil.
- Pour éviter tout risque de blessures, rassurez-vous que vous avez retiré toute la glace ou toute l'eau qui auraient pu se verser au sol.
- Changez l'emplacement des casiers/porte-bouteilles sur la porte de votre réfrigérateur uniquement lorsqu'ils sont vides. Risque de blessures !
- Ne placez aucun objet qui pourrait tomber ou basculer sur l'appareil. Ces objets peuvent tomber lors de l'ouverture ou de la fermeture de la porte, et causer des blessures et/ou des dégâts matériels.
- Ne frappez ni n'exercez aucune pression excessive sur les surfaces en verre. Le verre brisé peut causer des blessures et/ou des dégâts matériels.
- Pour les produits conçus pour utiliser un filtre à air à l'intérieur d'un couvercle de ventilateur accessible, le filtre doit toujours être en place lorsque le réfrigérateur fonctionne.
- N'obstruez pas le ventilateur (s'il existe) avec de la nourriture.
- Les joints endommagés doivent être remplacés dès que possible.
- Votre produit peut comporter des compartiments spéciaux (compartiment pour les aliments frais, compartiment pour les aliments à zéro degré, etc.) Sauf indication contraire dans le manuel du produit, ces compartiments peuvent être retirés et le produit peut être utilisé avec les mêmes performances.
- Le système de refroidissement de votre appareil contient du réfrigérant R600a. Le type de réfrigérant utilisé dans l'appareil est indiqué sur la plaque signalétique. Ce gaz est inflammable. Par conséquent, veillez à ne pas endommager le système de refroidissement et les

tuyaux pendant l'utilisation de l'appareil. Si les tuyaux sont endommagés :

1. Ne touchez pas l'appareil ni le câble d'alimentation,
2. Maintenez l'appareil éloigné des sources potentielles d'incendie qui pourraient causer l'incendie de l'appareil,
3. Aérez la zone où l'appareil est placé, N'utilisez pas de ventilateur,
4. Contactez un centre de service agréé.

Avant de vous débarrasser des appareils usagés qui ne doivent plus être utilisés :

1. Débranchez le cordon d'alimentation de la prise de courant.
2. Coupez le cordon d'alimentation et retirez-le de l'appareil avec la prise.
3. Ne retirez pas les étagères et les tiroirs de l'appareil pour empêcher les enfants d'y pénétrer.
4. Démontage des portes.
5. Stockez l'appareil de façon à éviter qu'il se renverse.
6. Ne laissez pas les enfants jouer avec un appareil usagé.
7. Si l'appareil est endommagé et que vous observez une fuite de gaz, éloignez-vous

du gaz. Le gaz peut causer des gelures lorsqu'il entre en contact avec votre peau.

- Ne jetez pas l'appareil en le mettant au feu. Risque d'explosion.
- Si une serrure est disponible sur la porte de l'appareil, gardez la clé hors de la portée des enfants.

Pour des appareils dotés d'un distributeur d'eau/machine à glaçons

- Utilisez uniquement de l'eau potable. Ne remplissez pas le réservoir d'eau de jus de fruits, de lait, de boissons gazeuses, de boissons alcoolisées ou tout autre liquide inapproprié à l'utilisation du distributeur d'eau, car cela pourrait entraîner des risques pour votre santé et votre sécurité.
- Ne laissez pas les enfants jouer avec le distributeur d'eau ou la machine à glaçons pour éviter les accidents et les blessures.
- N'insérez pas vos mains, vos doigts ou d'autres objets dans le trou du distributeur d'eau, dans le canal de glace ou dans le récipient de la machine à glaçons. Cela peut causer des blessures ou des dégâts matériels.

- Les jeux de tuyaux fournis avec le produit doivent être utilisés. N'utilisez pas les anciens jeux de tuyaux. Ne rallongez pas les tuyaux !
- Branchez toujours votre produit à une arrivée d'eau froide. Il ne faut pas effectuer l'installation sur l'arrivée d'eau chaude. La pression à l'entrée de l'eau froide doit être de 90 Psi (620 kPa – 6,2 bar) maximum. En cas de pression d'eau supérieure à 80 Psi (550 kPa – 5,5 bar) ou d'impact sur l'eau, utilisez une vanne de limitation de pression sur votre réseau. Demandez l'aide de plombiers professionnels si vous ne savez pas comment contrôler la pression de votre eau.
- La haute pression peut endommager les raccords des tuyaux et présenter un risque d'inondation.
- Prenez les précautions nécessaires contre le risque de gel des tuyaux. L'intervalle de température de l'eau de fonctionnement est de 0,6°C (33°F) au minimum et de 38°C (100°F) au maximum. Il y a un risque d'inondation si le tuyau est fissuré/perforé.



1.7 Sécurité du stockage des aliments

Veillez prêter attention aux avertissements suivants afin d'éviter la détérioration des aliments :

- Laisser les portes ouvertes pendant une longue période peut entraîner une augmentation de la température à l'intérieur du produit.
- Nettoyez régulièrement les systèmes de drainage accessibles en contact avec les aliments.
- Nettoyez les réservoirs d'eau qui n'ont pas été utilisés pendant 48 heures et les systèmes d'alimentation en eau qui n'ont pas été utilisés pendant plus de 5 jours.
- Conservez les produits de viande et de poisson crus dans des compartiments appropriés à l'intérieur de l'appareil. Ainsi, ils ne coulent pas sur les autres aliments et n'entre pas en contact avec eux.
- Les compartiments de congélation à deux étoiles permettent de conserver les aliments pré-cuisinés, de préparer et de conserver la glace et la crème glacée.

- Les compartiments à une, deux et trois étoiles ne conviennent pas à la congélation des aliments frais.
- Si le produit réfrigérant est resté vide pendant une longue période, éteignez le produit, dégivrez, nettoyez et séchez le produit afin de protéger le boîtier de l'appareil.
- Une fois les aliments placés, vérifiez que les trappes des compartiments, et en particulier la porte du congélateur, sont correctement fermées.
- Utilisez le compartiment réfrigérateur pour conserver les aliments frais et le compartiment congélateur pour conserver les produits surgelés, congeler les aliments frais et préparer des glaçons.
- Ne conservez pas d'aliments sans les fermer correctement dans les compartiments réfrigérateur et congélateur, afin d'éviter tout contact direct avec les surfaces internes.
- Ne tirez pas sur la porte ou la poignée de la porte si vous devez déplacer le produit pour le nettoyer. La porte peut provoquer des blessures si vous tirez trop fort sur la poignée.
- Ne placez pas vos mains, vos pieds ou des objets métalliques sous ou derrière votre produit. Il peut se coincer ou des bords tranchants peuvent provoquer des blessures.
- Ne lavez pas l'intérieur ou l'extérieur du produit avec un nettoyeur haute pression, de la vapeur, de l'eau pulvérisée ou de l'eau versée. Risque de choc électrique et d'incendie.
- Lors du nettoyage de l'appareil, n'utilisez pas d'outils tranchants et abrasifs ni de produits de nettoyage ménagers, de détergents, d'essence, de diluant, d'alcool, de vernis et de substances similaires. Utilisez des produits de nettoyage et d'entretien qui ne sont pas nocifs pour les aliments uniquement à l'intérieur de l'appareil.
- N'utilisez pas d'essuie-tout, d'éponges de cuisine ou d'autres produits de nettoyage durs.
- N'utilisez jamais de vapeur ou de matériel de nettoyage à vapeur pour nettoyer l'appareil et faire fondre la glace qui s'y



1.8 Sécurité relative à l'entretien et au nettoyage

- Débranchez le réfrigérateur ou mettez le fusible hors tension avant de le nettoyer ou d'effectuer des travaux d'entretien.

trouve. Lorsque la vapeur entre en contact avec les zones sensibles de votre réfrigérateur, elle peut provoquer un court-circuit ou un choc électrique.

- Il ne faut pas utiliser d'outils mécaniques ou autres que les recommandations du fabricant pour accélérer l'opération de décongélation.
- Veillez à ce que l'eau ne s'approche pas des ouvertures de ventilation, des circuits électroniques ou de l'éclairage de l'appareil. Ceci, pour éviter tout risque d'incendie ou de choc électrique.
- Utilisez un torchon propre et sec pour essuyer la poussière ou les corps étrangers sur les extrémités des fiches. N'utilisez pas de torchon humide ou mouillé pour nettoyer la fiche. Ceci, pour éviter tout risque d'incendie ou de choc électrique.

1.9 Éclairage

Contactez un centre de service agréé lorsque vous voulez remplacer la LED / l'ampoule utilisée pour l'éclairage.



1.10 Mise au rebut de l'ancien produit

Lorsque vous mettez votre ancien produit au rebut, suivez les instructions ci-dessous :

- Pour éviter que les enfants ne s'enferment accidentellement dans le produit, désactivez le verrou de porte s'il en existe un.
- Les éclaboussures de liquide de refroidissement sont dangereuses pour les yeux. N'endommagez aucune partie du système de refroidissement lorsque vous mettez le produit au rebut.
- L'ingestion de l'huile du compresseur ou sa pénétration dans les voies respiratoires peut être fatale.
- Le système de refroidissement de votre produit comprend du gaz R600a comme spécifié sur la plaque signalétique. Ce gaz est inflammable. Ne jetez pas l'appareil en le mettant au feu. Risque d'explosion !
- C- Le pentane est utilisé comme agent gonflant dans les mousses d'isolation et c'est une substance inflammable. Ne jetez pas l'appareil en le mettant au feu.

2 Instructions environnementales

2.1 Conformité avec la directive DEEE et élimination des déchets



Cet appareil est conforme à la directive DEEE de l'Union européenne (2012/19/UE). Cet appareil porte un symbole de classification pour les déchets d'équipements électriques et

électroniques (DEEE).

Ce symbole indique que cet appareil ne doit pas être mis au rebut avec les ordures ménagères à la fin de sa durée de vie. Les appareils usagés doivent être retournés au point de collecte officiel pour le recyclage des dispositifs électriques et électroniques. Pour trouver ces systèmes de collecte, veuillez contacter les autorités locales ou le détaillant à l'endroit où l'appareil a été acheté. Chaque ménage joue un rôle important dans la récupération et le recyclage des vieux appareils ménagers. La mise au rebut appropriée des appareils usagés permet de prévenir les conséquences négatives potentielles pour l'environnement et la santé humaine.

Conformité à la directive RoHS

Votre appareil est conforme à la directive RoHS de l'Union européenne (2011/65/UE). Il ne comporte pas de matériaux dangereux et interdits mentionnés dans la directive.



Informations sur l'emballage

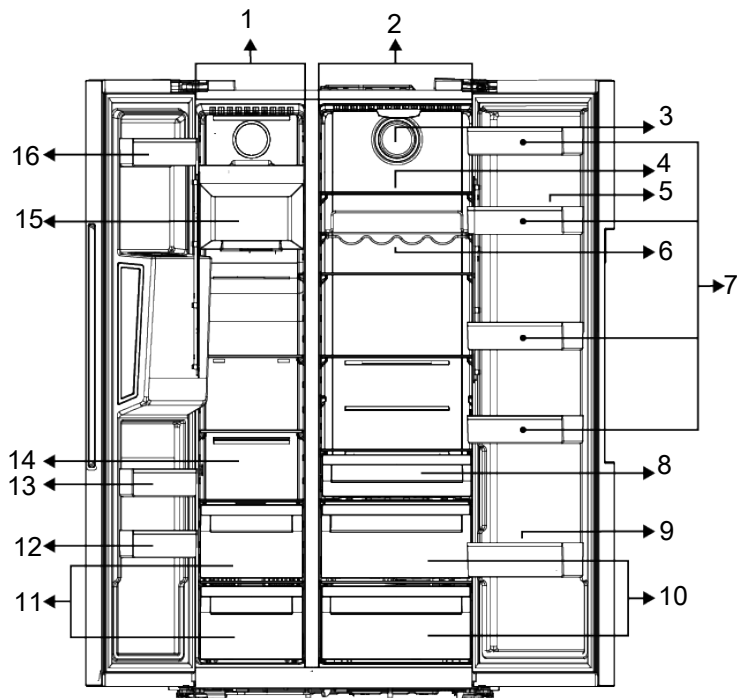
Les matériaux d'emballage de l'appareil sont fabriqués à partir de matériaux recyclables conformément à notre Règlement national sur l'environnement. Ne mettez pas les matériaux d'emballage au rebut avec les ordures ménagères et d'autres déchets. Apportez-les aux points de collecte des matériaux d'emballage désignés par les autorités locales.



Conformité aux normes et informations sur les essais / Déclaration de conformité CE

Les étapes de développement, de fabrication et de vente de ce produit sont conformes aux règles de sécurité de toutes les directives pertinentes de la Communauté européenne. 2014/35/EU, 2014/30/EU, 93/68/EC, IEC 60436/DIN 44990, EN 50242

3 Votre réfrigérateur



1 Compartiment de congélateur

3 Ventilateur

5 Porte-œufs

7 *Étagère de la porte du compartiment réfrigéré

9 Étagère pour les bouteilles

11 Compartiments de conservation des aliments congelés

13 Balconnets de la porte du compartiment congélateur

15 *Machine à glaçons

2 Compartiment réfrigéré

4 * Étagère en verre du compartiment réfrigéré

6 Étagère pour les bouteilles

8 * Bac pour produits laitiers (chambre froide)

10 *Bacs à légumes

12 Balconnets de la porte du compartiment congélateur

14 Compartiments pour produits congelés et tablette en verre

16 Balconnets de la porte du compartiment congélateur

***En option :** Les illustrations présentées dans ce manuel d'utilisation sont schématisées et peuvent ne pas correspondre

exactement à votre produit. Si votre appareil ne présente pas les parties citées, alors l'information s'applique à d'autres modèles.

4 Installation

Le bon endroit pour l'installation

Lisez d'abord la « Instructions de sécurité » !

Contactez le service agréé pour l'installation de votre réfrigérateur. Pour préparer l'installation du réfrigérateur, lisez attentivement les instructions du manuel d'utilisation et assurez-vous que les équipements électriques et d'approvisionnement d'eau sont installés convenablement. Si ce n'est pas le cas, appelez un électricien et un plombier pour faire le nécessaire pour les services publics.

- Les câbles d'alimentation endommagés doivent être remplacés par le service agréé.
- Lorsque deux réfrigérateurs sont installés côte à côte, laissez au moins 4 cm de distance entre les deux appareils
- Conservez le produit à l'abri de la lumière directe du soleil et dans un endroit sec.
- La distance entre le produit et les parois latérales doit être de 3 mm et la distance entre le produit et la paroi arrière doit être de 35 mm. (ElegantFit)
- Si le cadre de la porte est trop étroit pour laisser passer l'appareil, retirez la porte et faites passer l'appareil sur les côtés ; si cela ne fonctionne pas, contactez le service agréé.
- Placez l'appareil sur une surface plane pour éviter les vibrations
- Placez le produit à 30 cm du chauffage, de la cuisinière et des autres sources de chaleur similaires et à au moins 5 cm des fours électriques.
- N'exposez pas le produit directement à lumière du soleil et ne le laissez pas dans des environnements humides.
- Avant le transport ou l'utilisation, n'ouvrez jamais le couvercle de la carte de contrôle du produit. Risque de choc électrique et d'incendie !
- Notre entreprise ne sera pas tenue responsable de tout dommage résultant de l'utilisation de l'appareil sans prise de

mise à la terre ou branchement électrique conforme à la norme nationale en vigueur.

- Gardez la fiche du câble d'alimentation à portée de main après l'installation.

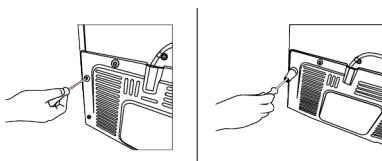
Attention aux surfaces chaudes !

Les parois latérales de votre appareil sont équipées de tuyaux de refroidissement pour améliorer le système de refroidissement. Un fluide à haute pression peut s'écouler à travers ces surfaces, et provoquer des surfaces chaudes sur les parois latérales. C'est normal et cela ne nécessite pas d'entretien. Faites attention lorsque vous contactez ces zones.

Fixation des cales en plastique

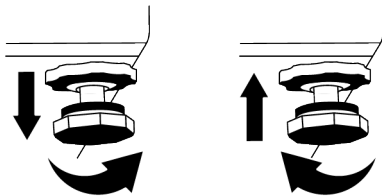
Utilisez les cales en plastiques fournies avec le réfrigérateur pour maintenir une circulation d'air suffisante entre le réfrigérateur et le mur.

- Retirez les vis du produit et montez les vis fournies avec les cales.
- Fixez 2 cales en plastique sur le couvercle de ventilation tel qu'illustré par l'image.



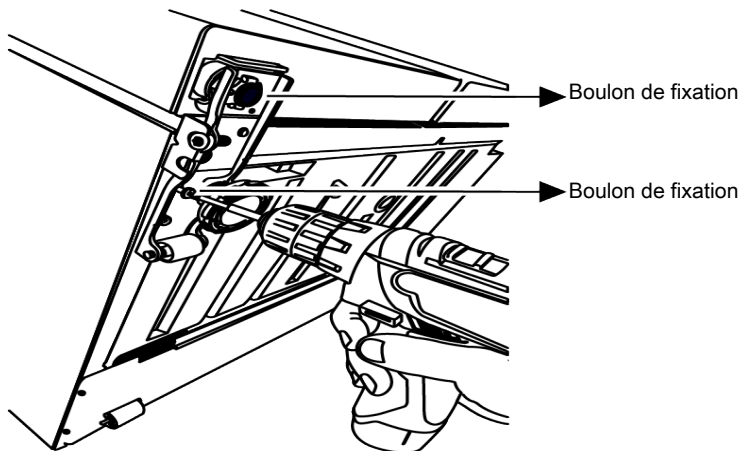
Réglages des pieds avant

Si le réfrigérateur n'est pas équilibré, réglez les pieds avant en les tournant vers la gauche ou la droite.



Pour le réglage vertical des portes,

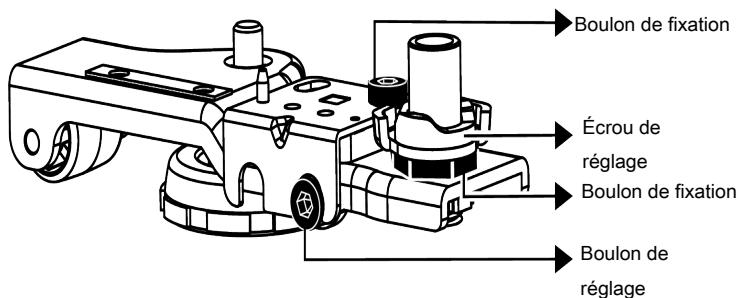
Desserrez l'écrou de fixation en bas. Vissez l'écrou de réglage (CW/CCW) selon la position de la porte. Serrez l'écrou boulon de fixation pour la position finale.



Pour le réglage des portes à l'horizontale,

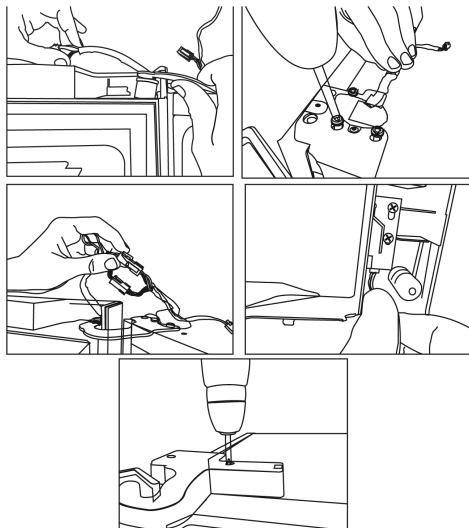
Desserrez la vis de fixation dans la partie inférieure et desserrez l'écrou de fixation dans la partie supérieure. Vissez le boulon

de réglage (CW/CCW) sur le côté en fonction de la position de la porte. Serrez le boulon de fixation dans la partie supérieure pour la position finale et serrez la vis de fixation dans la partie inférieure



Fixez l'ensemble de la charnière supérieure avec 3 vis.
Installez le couvercle de la charnière après

l'installation des prises.
Sécurisez le couvercle de la charnière avec deux vis.



5 Préparation

Lisez d'abord les « Consignes de sécurité » !

5.1 Moyens d'économiser l'énergie

- Lorsque vous chargez les aliments, laissez suffisamment d'espace à l'intérieur du réfrigérateur pour permettre une circulation d'air suffisante pour le refroidissement.
- Comme l'air chaud et humide ne pénètre pas directement dans votre produit lorsque les portes ne sont pas ouvertes, votre produit s'optimisera dans des conditions suffisantes pour protéger vos aliments. Dans ces conditions, les fonctions et les composants tels que le compresseur, le ventilateur, le chauffage, le dégivrage, l'éclairage, l'affichage, etc. fonctionneront en fonction des besoins en consommant un minimum d'énergie.
- Dans le cas où plusieurs options sont présentes, les étagères en verre doivent être placées de manière à ce que les sorties d'air de la paroi arrière ne soient pas bloquées et, de préférence, de manière à ce que les sorties d'air restent sous l'étagère en verre. Cette combinaison peut contribuer à améliorer la distribution de l'air et l'efficacité énergétique.
- Il est fortement recommandé d'utiliser le tiroir du bas pour le rangement.
- Pour une performance optimale, la fonction de congélation rapide peut être utilisée (si elle est disponible) 24 heures avant de placer les aliments frais dans le congélateur.
- Dans la plupart des cas, 24 heures suffisent pour utiliser la fonction de congélation rapide après que les aliments frais ont été placés dans le congélateur. Au bout d'un certain temps, la fonction de congélation rapide se désactive automatiquement.
- Lorsque vous congelez une petite quantité d'aliments, la fonction de congélation rapide peut être désactivée au bout d'un certain temps pour économiser de l'énergie.
- Les aliments sont stockés à l'aide des tiroirs du compartiment réfrigéré afin de garantir une économie d'énergie et de protéger les aliments dans de meilleures conditions.

5.2 Première utilisation

Avant d'utiliser votre appareil, assurez-vous que les installations nécessaires sont conformes aux instructions des sections « Consignes de sécurité » et « Installation ».

- Attendez au moins 2 heures avant de faire fonctionner le produit, afin d'assurer la pleine efficacité de la réfrigération.
- Laissez l'appareil fonctionner à vide pendant 6 heures, et la porte de l'appareil doit être maintenue fermée autant que possible.
- Le changement de température causé par l'ouverture et la fermeture de la porte pendant l'utilisation du produit peut normalement entraîner la formation de condensation sur les tablettes de la porte/du corps et sur les verres placés dans l'appareil.
- Un son retentit à l'activation du compresseur. Il est normal que l'appareil fasse du bruit même si le compresseur ne fonctionne pas, car du fluide et du gaz peuvent être comprimés dans le système de refroidissement.
- Il est normal que les bords avant de l'appareil soient chauds. Ces parties doivent en principe être chaudes afin d'éviter la condensation

6 Fonctionnement de l'appareil

Lisez d'abord les « Consignes de sécurité » !

- Le appareil ne doit être utilisé que pour la conservation des aliments.
- Fermez le robinet d'eau si vous vous absentez de chez vous (par exemple, en vacances) et que vous n'utilisez pas le distributeur d'eau ou le distributeur de glace pendant une longue période. Dans le cas contraire, des fuites d'eau peuvent se produire.

- Pour certains modèles, le panneau indicateur s'éteint automatiquement 1 minute après la fermeture des portes. Il s'active à nouveau à l'ouverture de la porte ou lorsque vous appuyez sur n'importe quelle touche.

5.3 Classe climatique et définitions

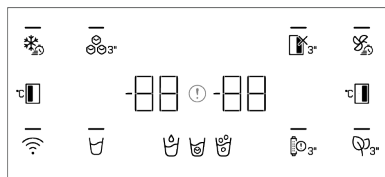
Veillez vous référer à la classe climatique figurant sur la plaque signalétique de votre appareil. L'une des informations suivantes s'applique à votre appareil selon la classe climatique.

- **SN** : Climat tempéré à long terme : Ce dispositif de refroidissement est conçu pour être utilisé à une température ambiante comprise entre 10 °C et 32 °C.
- **N** : Climat tempéré : Ce dispositif de refroidissement est conçu pour être utilisé à une température ambiante comprise entre 16°C et 32 °C.
- **ST** : Climat subtropical : Ce dispositif de refroidissement est conçu pour être utilisé à une température ambiante comprise entre 16°C et 38°C.
- **T** : Climat tropical : Ce dispositif de refroidissement est conçu pour être utilisé à une température ambiante comprise entre 16°C et 43°C.

Débrancher le produit

- Enlevez la nourriture pour éviter les odeurs,
- Attendez que la glace fonde, nettoyez l'intérieur et laissez-le sécher, laissez les portes ouvertes pour éviter d'endommager les plastiques intérieurs de la carrosserie.

7 Panneau de contrôle du produit



Lisez d'abord la « Instructions de sécurité » !

Les fonctions sonores et visuelles dudit panneau vous aident à utiliser votre réfrigérateur.

*En option : Les fonctions indiquées sont facultatives, il peut y avoir des différences de forme et d'emplacement au niveau des fonctions indiquées sur le panneau de votre appareil.

Clé de congélation rapide

Dès que vous appuyez sur la touche de congélation rapide, le voyant LED de la touche s'allume et la fonction de congélation rapide s'active. La température du compartiment de congélation est réglée à -27 Celsius. Appuyez à nouveau sur la touche pour annuler la fonction. La fonction de congélation rapide sera automatiquement annulée. Pour congeler une grande partie d'aliments frais, appuyez sur la touche de congélation rapide avant de mettre les aliments dans le compartiment congélateur.

Bouton marche/arrêt Icematic

Si vous appuyez sur ce bouton pendant 3 secondes, le processus de fabrication de glace est activé et le voyant du bouton s'allume. En appuyant à nouveau sur le bouton pendant 3 secondes, le processus de fabrication de glaçons est interrompu et les glaçons fabriqués précédemment peuvent être utilisés malgré l'interruption de la fonction.

Indicateur de condition d'erreur

Cet indicateur doit être activé lorsque votre réfrigérateur ne peut pas assurer un refroidissement adéquat ou en cas d'erreur de capteur. « E » doit s'afficher sur l'indicateur de température du compartiment de congé-

lation et des chiffres tels que 1,2,3... doivent s'afficher sur l'indicateur de température du compartiment de réfrigération. Ces chiffres fournissent des informations au service autorisé sur l'erreur qui s'est produite.

Un point d'exclamation peut être affiché lorsque vous chargez des aliments chauds dans le compartiment de congélation ou que vous gardez la porte ouverte pendant une longue période. Il ne s'agit pas d'un défaut, cet avertissement disparaît lorsque l'aliment est refroidi ou lorsqu'on appuie sur une touche quelconque.

Touche de fonction Arrêt du compartiment réfrigéré (vacances)

Pour activer la fonction vacances, appuyez sur cette touche pendant 3 secondes.

Le mode vacances s'active et le voyant LED sur le bouton s'allume. « - - » doit être affiché sur l'indicateur de température du compartiment de refroidissement et le compartiment de refroidissement n'effectue pas de refroidissement actif. Vous ne devez pas conserver vos aliments dans le compartiment réfrigérateur lorsque cette fonction est activée. Les autres compartiments continuent à se refroidir en fonction des températures précédemment réglées. Il suffit d'appuyer et de maintenir à nouveau sur la touche pendant 3 secondes pour annuler cette fonction.

Clé de refroidissement rapide

Lorsque vous appuyez sur le bouton de refroidissement rapide, la LED sur le bouton s'allume et la fonction de refroidissement rapide est activée. La température du compartiment de refroidissement est réglée à 1 °Celsius. Appuyez à nouveau sur la touche pour annuler la fonction. La fonction de congélation rapide s'arrête automatiquement lorsque le refroidissement est terminé.

Touche de réglage de la température du compartiment réfrigérateur

Permet de régler la température du compartiment réfrigérateur. En appuyant sur cette touche, la température du compartiment de refroidissement peut être réglée à 8,7,6,5,4,3,2 et 1 Celsius.

Touche du module désodorisant 3"

Appuyez sur cette touche pendant 3 secondes pour activer/désactiver la fonction désodorisante. Lorsque la fonction anti-odeur est activée, le voyant LED de la touche correspondante s'allume. Lorsque la fonction est activée, le module désodorisant fonctionne périodiquement.

Clé d'avertissement de remplacement du filtre

Le filtre d'arrivée d'eau du réfrigérateur doit être remplacé à intervalles réguliers. Votre réfrigérateur calcule ce temps de façon automatique. Lorsque la durée de vie du filtre est écoulee, le voyant du bouton d'avertissement de remplacement du filtre s'allume. Une fois le filtre remplacé, maintenez le bouton enfoncé pendant 3 secondes pour éteindre le voyant d'avertissement de remplacement du filtre.

Clé de sélection de l'eau, des glaçons et des particules de glace

Cette touche permet de passer d'une option à l'autre : eau, glaçons ou glace pilée. Lorsque vous activez la fonction, le voyant du bouton reste allumé.

Clé sans fil

Cette clé est utilisée pour établir une connexion sans fil avec votre produit via l'application mobile HomeWhiz.

Si vous appuyez sur la touche pendant 3 secondes, la LED sur la touche clignote lentement (à des intervalles de 0,5 seconde). Le réseau domestique est initialisé sur le produit de cette façon.

Après avoir établi une connexion sans fil avec l'appareil, le voyant LED de la touche s'allume en continu.

Lorsque la connexion initiale est établie, vous pouvez activer/désactiver la connexion en appuyant brièvement sur cette touche. La LED sur le bouton doit clignoter rapidement (à des intervalles de 0,2 seconde) jusqu'à ce que votre appareil soit connecté. Lorsque la connexion est activée, la LED reste allumée.

En cas d'impossibilité d'établir la connexion pendant une longue période, vérifiez vos paramètres de connexion et reportez-vous à la section « Dépannage » fournie dans le manuel de l'utilisateur.

L'application HomeWhiz doit être utilisée pour la connexion sans fil. Les étapes d'installation sont décrites sur la demande lors de l'installation. Vous pouvez accéder à la demande en lisant le code QR disponible sur l'étiquette HomeWhiz apposée sur le produit. L'application est proposée par l'App Store pour les appareils IOS, et par le Play Store pour les appareils Android.

Visitez l'adresse <https://www.homewhiz.com/> pour des informations détaillées.

Touche de réglage de la température du compartiment congélateur

Le réglage de la température est effectué pour le compartiment de congélation. En appuyant sur cette touche, la température du compartiment congélateur peut être réglée à -16,-17,-18,-19,-20,-21,-22 degrés Celsius.

ATTENTION



La température peut être réglée entre 1-8° C pour le compartiment réfrigérateur et entre - 24 et - 15° C pour le compartiment congélateur. Les valeurs de température réglables peuvent varier, à condition qu'elles se situent dans ces fourchettes, conformément aux spécifications du produit.

8 Utilisation de votre appareil

FR

8.1 Stockage des aliments dans le compartiment du congélateur et du réfrigérateur

Stockage des aliments dans le compartiment congélateur

- Vous pouvez activer la fonction de congélation rapide 4 à 6 heures avant la fonction de congélation et obtenir un refroidissement plus rapide.
- Amenez les repas chauds à la température ambiante avant de les placer dans le compartiment congélateur.
- Les aliments à congeler doivent être divisés en portions en fonction de la taille à consommer, et congelés dans des emballages séparés.
- Il est recommandé d'emballer les aliments avant de les placer dans le congélateur.
- Afin de prévenir l'expiration du temps de conservation, inscrivez la date et l'heure de congélation ainsi que le nom du produit sur l'emballage, en fonction des temps de conservation des différents aliments.
- Consommez rapidement les aliments que vous avez décongelés. Les aliments décongelés ne peuvent être recongelés que s'ils sont cuits. Il n'est pas sûr de consommer les aliments frais recongelés sans cuisson après leur décongélation.
- Lorsque vous congelez des aliments frais, ne les mettez pas en contact avec des aliments déjà congelés. Sinon, les aliments congelés seront décongelés.

Stocker les aliments, qui sont vendus congelés

- Respectez les durées indiquées dans ces instructions pour la conservation des aliments.
- Afin de préserver la qualité des aliments, veillez à ce que l'intervalle de temps entre la transaction d'achat et le stockage soit aussi court que possible.
- Achetez des aliments congelés stockés à des températures inférieures ou égales à -18 °C.

- Évitez d'acheter des aliments dont l'emballage est recouvert de glace, etc. Cela signifie que le produit pourrait être partiellement décongelé et recongelé. La température a un impact sur la qualité des aliments.
- Ne dépassez pas la durée de conservation recommandée par le producteur de l'aliment. Ne sortez du congélateur que les aliments dont vous avez besoin.
- Sauf en cas de circonstances extrêmes dans l'environnement, si votre produit (sur le tableau des valeurs de consigne recommandées) est réglé sur les valeurs de consigne spécifiées, les aliments conservent leur fraîcheur plus longtemps, aussi bien dans le compartiment des produits frais que dans celui du congélateur.
- Si le compartiment des aliments frais est réglé sur une température inférieure, les fruits et légumes frais peuvent être partiellement congelés.

Congélation rapide

1. Activez la fonction de congélation rapide 24 heures avant de placer vos aliments frais dans le congélateur.
2. 24 heures après avoir appuyé sur le bouton, placez les aliments que vous souhaitez congeler dans le troisième ou le quatrième tiroir à capacité de congélation supérieure.
3. Une fois la fonction de congélation rapide activée, elle est automatiquement annulée après un certain temps.

Détails du congélateur

Selon les normes IEC 62552, à une température ambiante de 25° C, le congélateur doit pouvoir congeler 4,5 kg de denrées alimentaires à -18° C ou à des températures inférieures en 24 heures pour chaque 100 litres de volume du compartiment congélateur.

Les aliments peuvent être préservés pour des périodes prolongées uniquement à des températures inférieures ou égales à -18° C.

Vous pouvez garder les aliments frais pendant des mois (dans le congélateur à des températures inférieures ou égales à -18° C).

Les aliments à congeler ne doivent pas être en contact avec ceux déjà congelés pour éviter un dégivrage partiel.

Faites bouillir les légumes et filtrez l'eau pour prolonger la durée de conservation à l'état congelé. Placez les aliments dans des emballages sous vide après les avoir filtrés et placez-les dans le congélateur. Les bananes, les tomates, les feuilles de laitue, le céleri, les œufs durs, les pommes de terre et les aliments similaires ne doivent pas être congelés. Si ces aliments sont congelés, seules les valeurs nutritionnelles et les qualités gustatives seront affectées. Une pourriture qui mettrait en danger la santé humaine n'est pas à l'ordre du jour.

Placer les aliments

Balconnets du compartiment congélateur : Différents aliments congelés comme la viande, le poisson, la crème glacée, les légumes, etc.

Étagères du compartiment réfrigérateur : Les aliments contenus dans des caseroles, des plats couverts, des gamelles et les œufs (dans des gamelles fermées)

Balconnets de la porte du compartiment réfrigérateur : Aliments ou boissons de petite taille et emballés.

Bac à légumes : Légumes et fruits

Compartiment des aliments frais : Delicatessen (aliments pour le petit déjeuner, produits carnés à consommer dans un délai court).

Stockage des aliments dans le compartiment réfrigérant

- La température des compartiments augmente considérablement si la porte du compartiment est ouverte et fermée fréquemment et si elle reste ouverte pendant longtemps, ce qui peut réduire la durée de vie des aliments et les faire se gâter.

- Afin de ne pas provoquer de changements d'odeur et de goût, les aliments doivent être conservés dans des récipients fermés.
- Ne conservez pas de quantités excessives d'aliments dans votre réfrigérateur. Pour obtenir un refroidissement plus efficace et homogène, placez les aliments séparément de manière à ce que l'air froid puisse circuler.
- Assurez la circulation de l'air en laissant un espace entre l'aliment et la paroi interne. Si vous appuyez les aliments contre la paroi arrière, ils risquent de geler.
- Amenez les plats chauds cuisinés à la température ambiante avant de les placer dans le réfrigérateur. Ensuite, vous pouvez placer le repas tiède dans les étagères inférieures de votre réfrigérateur. Ne placez pas les repas tièdes à proximité des aliments qui peuvent facilement se gâter.
- Décongelez vos aliments congelés dans le compartiment des aliments frais. Ainsi, vous pouvez refroidir le compartiment des aliments frais en utilisant des aliments congelés et économiser de l'énergie.
- Conservez les fruits tropicaux non mûrs (mangue, variétés de melon, papaye, banane, ananas) au réfrigérateur peut accélérer le processus de maturation. Ceci n'est pas recommandé car cela entraîne une réduction de la durée de stockage.
- Vous devez conserver les oignons, les aulx, les gingembres et les autres légumes-racines dans une pièce sombre et froide, et non au réfrigérateur.
- Si vous remarquez qu'un aliment a tourné dans le réfrigérateur, jetez-le et nettoyez les accessoires qui ont été en contact avec cet aliment.
- Pour refroidir rapidement les plats tels que les soupes et les ragoûts, qui sont cuits dans de grandes marmites, vous

pouvez les mettre au réfrigérateur en les séparant dans leurs propres récipients peu profonds.

- Ne placez pas d'aliments non emballés à proximité des œufs.
- Conservez les fruits et les légumes séparément et conservez chaque variété dans un même endroit (par exemple, les pommes avec les pommes, les carottes avec les carottes, etc.).
- Sortez les légumes verts du sac en plastique et placez-les au réfrigérateur après les avoir enveloppés dans une serviette en papier ou un linge sec. Si vous lavez ce type d'aliments avant de les placer dans le réfrigérateur, n'oubliez pas de les sécher.

- Vous pouvez à la fois créer un environnement humide et assurer une circulation d'air en conservant les fruits et légumes, qui ont tendance à sécher, dans des sacs en plastique perforés ou non fermés.
- Sauf en cas de circonstances extrêmes dans l'environnement, si votre produit (sur le tableau des valeurs de consigne recommandées) est réglé sur les valeurs de consigne spécifiées, les aliments conservent leur fraîcheur plus longtemps, aussi bien dans le compartiment des produits frais que dans celui du congélateur.

Conservez les différents aliments dans des endroits différents en fonction de leurs caractéristiques.

Aliment	Emplacement
Œuf	Balconnet
Produits laitiers (beurre, fromage)	Si disponible, compartiment zéro degré (pour les aliments du petit-déjeuner)
Fruits, légumes et verdure	Compartiment fruits-légumes, bac à légumes ou Compartiment EverFresh+ (si disponible)
Viande fraîche, volaille, poisson, saucisses, etc. Aliments cuits	Si disponible, compartiment zéro degré (pour les aliments du petit-déjeuner)
Aliments prêts à consommer, produits emballés, conserves, produits marinés	Étagères supérieures ou balconnet
Boissons, bouteilles, épices et snacks	Balconnet

Tableau des valeurs de réglage recommandées

Réglage du compartiment congélateur	Réglage du compartiment réfrigérateur	Remarques
-22°C	4°C	Ce réglage est celui qui est recommandé par défaut. Ce réglage est recommandé si la température ambiante est inférieure à 30° C.
-22°C ou plus froid	4°C	Ces réglages sont recommandés pour des températures ambiantes excédant 30 °C.
Congélation rapide	4°C	Est utilisée lorsque vous voulez congeler vos denrées pendant une courte période. Lorsque le processus se termine, les paramètres du produit reviennent à la position précédente.
-18°C ou plus froid	2 °C.	Utilisez ces paramètres si à votre avis le compartiment réfrigérateur n'est pas assez froid en raison de la température ambiante ou de l'ouverture fréquente de la porte.

8.2 Remplacement de la lampe d'éclairage

Appelez le service autorisé lorsque l'ampoule/LED utilisée pour l'éclairage de votre réfrigérateur doit être remplacée.

La ou les lampes utilisées dans cet appareil ne peuvent pas être utilisées pour l'éclairage de la maison. L'objectif de cette lampe est d'aider l'utilisateur à placer les aliments dans le réfrigérateur/congélateur de manière sûre et confortable.

8.3 Alerte de porte ouverte

Le système d'alerte d'ouverture de porte de votre réfrigérateur peut varier selon le modèle.

Version 1;

Si la porte du produit reste ouverte pendant un certain temps (entre 60 s et 120 s), un signal d'avertissement sonore retentit ; selon le modèle de produit, un signal d'avertissement visuel (flash lumineux) peut également être affiché. Si vous fermez la porte de l'appareil ou appuyez sur une touche de l'écran de l'appareil, le signal d'avertissement sonore s'arrête.






Version 2;

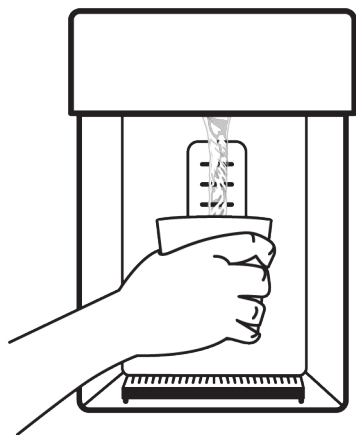
Si la porte de l'appareil reste ouverte pendant un certain temps (entre 60 s et 120 s), l'alarme d'ouverture de porte retentit. L'alarme d'ouverture de porte retentit progressivement. Un signal d'avertissement sonore retentit d'abord. Si la porte n'est toujours pas fermée après 4 minutes, un avertissement visuel (lumière clignotante) est activé. L'alarme d'ouverture de porte est retardée pendant un certain temps (entre 60 s et 120 s) si l'on appuie sur n'importe quelle touche de l'écran du produit (le cas échéant). Le processus recommence alors. Lorsque la porte de l'appareil est fermée, l'alarme d'ouverture de porte est annulée.

9 Caractéristiques du produit

9.1 La zone de stockage de la glace

Prise de glace/eau

Sélectionnez l'option correspondante en utilisant l'écran afin de prendre de l'eau () / glaçons () / glace brisée (). Appuyez sur la gâchette du distributeur d'eau pour prendre de l'eau/de la glace. Lorsque vous passez des options glaçons () / glace brisée (), le type de glace restant de la sélection précédente peut être donné lors des premières prises.



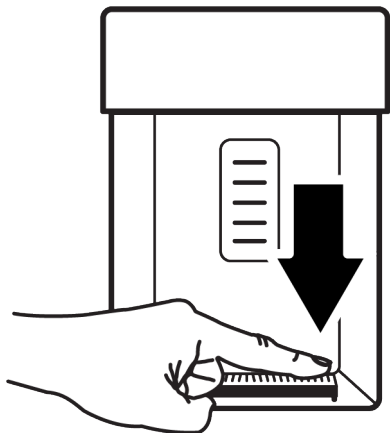
- Pour pouvoir prélever de la glace dans le distributeur de glace/eau pour la première fois, vous devez attendre environ 12 heures. S'il n'y a pas assez de glace dans le bac à glace, vous ne pouvez pas prendre de glace dans le distributeur.
- Ne consommez pas les glaçons (3-4 litres) après la première utilisation.
- Si une panne de courant ou un dysfonctionnement temporaire survient pendant que le produit fonctionne, les glaces peuvent fondre un peu et se recongeler. Dans ce cas, les glaces peuvent se coller les unes aux autres. En cas de panne de courant ou de dysfonctionnement, les glaces peuvent fondre et provoquer une fuite d'eau. Lorsqu'un tel problème se présente, nettoyez le bac à glace en versant les glaçons restés dans le bac à glace.
- Le système d'eau du produit doit uniquement être connecté à la ligne d'eau froide. Il ne doit pas être raccordé à la conduite d'eau chaude.
- Il est interdit de prendre de l'eau lors de la première utilisation du produit. Cela est dû à la présence d'air dans le système. Vous devez évacuer l'air du système. Pour cela, appuyez sur la gâchette du distributeur pendant 1 à 2 minutes jus-

qu'à ce que l'eau sorte du distributeur d'eau. Au début, l'écoulement de l'eau peut être irrégulier. Le débit d'eau reviendra à la normale une fois que l'air du système aura été évacué.

- Une eau trouble peut sortir lorsque le filtre est utilisé pour la première fois. Ne consommez pas les 10 premiers verres d'eau.
- Lorsque le produit est mis en place pour la première fois, il faut attendre environ 12 heures pour que l'eau refroidisse.
- Le système d'eau du produit a été conçu de manière à ce qu'il ne puisse fonctionner qu'avec de l'eau propre. Utilisez uniquement de l'eau
- Si vous n'utilisez pas le produit pendant une longue période pour des raisons de vacances, etc., nous vous recommandons d'annuler le raccordement à l'eau. Lorsque le distributeur d'eau n'est pas utilisé pendant une longue période, les 1 ou 2 premiers verres d'eau peuvent être chauds.

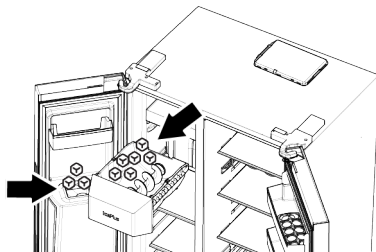
Plateau d'égouttage

L'eau qui s'écoule du distributeur d'eau s'accumule sur le bac de récupération, il n'y a pas de sortie d'eau. Vous pouvez retirer le plateau d'égouttage en le tirant vers vous ou en appuyant sur son bord. Vous pouvez ainsi nettoyer l'eau dans le bac de récupération.



Machine à glaçons

La machine à glaçons est située dans la partie supérieure du corps du congélateur. En saisissant la poignée située sous la partie avant, tirez le bac de stockage de glaçons vers vous pour le retirer.



Pour retirer le bac de stockage de glaçons

Saisissez la poignée située au fond du bac et tirez-la vers vous.

Pour réinstaller le bac de stockage de glaçons

Placez le bac dans sa fente et poussez-le vers l'arrière en le maintenant parallèle au sol. Veillez à ce qu'il n'y ait pas d'espace entre le bac et le compartiment de la machine à glaçons.

Dans le cas où vous ne pouvez pas obtenir tous les glaçons produits

Les glaçons qui restent longtemps dans le bac de stockage peuvent se coller les uns aux autres et former de gros blocs de glace. Dans ce cas, retirez le bac de stockage de glaçons comme décrit dans le manuel, séparez les glaçons, retirez ceux qui ne peuvent pas être séparés du bac et remettez les glaçons restants dans le bac. Si le problème persiste, veuillez vérifier le canal de glace et dégager-le s'il est bloqué.

Lors de la première utilisation de la machine à glaçons ou après une longue période

Les glaçons peuvent devenir plus petits en raison de l'air résiduel dans le système d'eau. L'air est automatiquement évacué après avoir été utilisé pendant un certain temps.

- N'utilisez pas les glaçons produits le premier jour afin de pouvoir rafraîchir l'eau restante dans le système.

- N'insérez pas votre main ou tout autre objet dans le canal à glace et les lames de broyage de la glace pendant que le réfrigérateur fonctionne..
- Ne laissez pas les enfants s'accrocher à la machine à glaçons, au bac de stockage de glaçons ou au distributeur d'eau/de glace.
- Saisissez fermement le bac de stockage de glaçons avec les deux mains pour ne pas le faire tomber.
- Lorsque vous fermez rapidement la porte de votre appareil, l'eau contenue dans la machine à glaçons risque d'éclabousser le bac de stockage des glaçons.
- Évitez de démonter le bac de stockage de glaçons, à moins que cela ne soit nécessaire.
- Si un bourrage se produit lors de la préparation de la glace pilée (l'appareil ne rejette pas de glace), essayez d'utiliser des glaçons.
- Ensuite, vous pouvez réessayer de récupérer les glaçons concassés.
- Lorsque vous recevez de la glace pilée, l'appareil peut d'abord produire des glaçons. Il est possible que l'appareil produise des glaçons lorsqu'il reçoit de la glace pilée.
- La porte du congélateur de la machine à glaçons peut être recouverte d'un léger givre et d'une couche de neige.
- C'est normal et nous vous recommandons de le nettoyer immédiatement.
- Après un certain temps, l'eau peut se remplir dans la grille qui se trouve au bas du distributeur d'eau.
- Nous vous recommandons d'éliminer régulièrement l'eau contenue dans la grille.
- Il est normal d'entendre un bruit lorsque les glaçons tombent du réservoir de glaçons. Cela ne signifie pas qu'il y a un dysfonctionnement.
- Le mécanisme de la lame du bac à glaçons est tranchant et peut vous couper la main.
- Si les glaçons ne s'échappent pas du distributeur de glace, cela signifie qu'ils sont peut-être collés les uns aux autres. Vous devez nettoyer le bac pour continuer à obtenir des glaçons.
- Si l'on appuie sur la gâchette pour obtenir de la glace (indicateur, etc.), il n'est pas possible de modifier le type de glace. Vous devez relâcher le déclencheur (indicateur, etc.), changer le type de glace et prendre à nouveau de la glace. Pour cela, vous pouvez reprendre de la glace après avoir changé le type de glace sur l'indicateur.

9.2 Porte-œuf

Vous pouvez placer le porte-œuf sur la porte ou l'étagère du corps que vous souhaitez.

Si le porte-œufs doit être placé sur l'étagère du corps, nous vous recommandons de choisir des étagères inférieures plus froides.

- Ne placez jamais le porte-œuf sur le compartiment congélateur..

9.3 Bac à légumes

Le bac à légumes du réfrigérateur est conçu pour conserver les légumes frais en préservant leur humidité. À cette fin, la circulation générale d'air froid est intensifiée dans le bac à légumes. Conservez les fruits et les légumes dans ce compartiment. Conservez séparément les légumes verts et les fruits pour prolonger leur durée de vie.

9.4 Zone d'entreposage frais des produits laitiers

Tiroir de stockage du froid

Le tiroir de stockage du froid peut atteindre des températures plus basses dans le compartiment réfrigérant. Utilisez ce tiroir pour les produits de charcuterie (salami, saucisse, etc.) et les produits laitiers qui nécessitent des conditions de stockage plus froides, ou pour la viande, le poulet ou le

poisson à consommer rapidement. Il n'est pas possible de stocker des fruits et des légumes dans ce tiroir.

9.5 bac à légumes avec contrôle d'humidité

Grâce à la fonction de bac à légumes à humidité contrôlée, l'humidité des légumes et des fruits est maîtrisée et les aliments restent frais plus longtemps.

Nous vous recommandons de placer les légumes à feuilles tels que la laitue, les épinards et les légumes similaires qui sont sensibles à la perte d'humidité dans le bac à légumes, non pas à la verticale sur leurs racines, mais le plus horizontalement possible.

Lorsque vous placez les légumes, placez les légumes lourds et durs en bas et les légumes légers et tendres en haut, en tenant compte du poids spécifique des légumes. Ne laissez jamais de légumes dans des sacs en plastique dans le bac à légumes. En les laissant dans des sacs en plastique, les légumes pourrissent en peu de temps. Dans les situations où le contact avec d'autres légumes n'est pas privilégié, utilisez des matériaux d'emballage tels que le papier qui présente un certain niveau de porosité en termes d'hygiène.

Il ne faut pas mettre les fruits qui ont une forte production de gaz d'éthylène comme la poire, l'abricot, la pêche et surtout la pomme dans le même bac à légumes avec d'autres fruits et légumes. Le gaz d'éthylène qui sort de ces fruits pourrait faire mûrir plus rapidement d'autres légumes et fruits et les faire pourrir dans un laps de temps plus court.

9.6 Raccordement de l'eau

(Cette caractéristique est en option)



AVERTISSEMENT

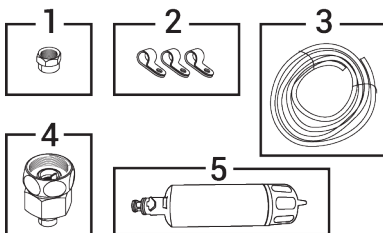
Le produit et la pompe, le cas échéant, doivent être débranchés pendant le raccordement.

FR

Les raccordements au réseau, au filtre et à la bouteille de votre produit doivent être effectués par un centre de service agréé.

Selon le modèle, vous pouvez raccorder votre produit à une carafe ou directement au réseau d'eau. Pour établir cette connexion, vous devez d'abord raccorder le tuyau d'eau à l'appareil.

En fonction du modèle de votre produit, vérifiez si les éléments suivants sont inclus dans la livraison :

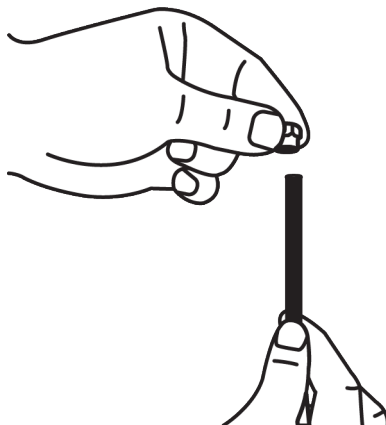
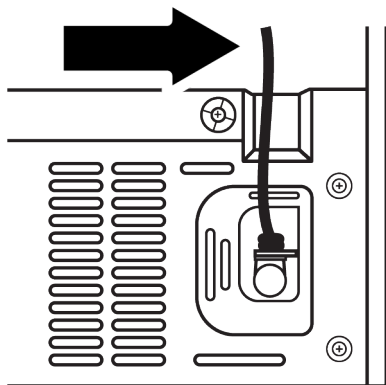


1. Connecteur (1 pièce) : Pour fixer le tuyau d'eau à l'arrière de l'appareil.
2. Attache pour tuyau (3 pièces) : Sert à fixer le tuyau d'eau au mur.
3. Tuyau d'eau (1 pièce, 5 mètres de diamètre, 1/4 po) : Utilisé pour réaliser des raccordements d'eau.
4. Adaptateur de robinet (1 pièce) : Pour le raccordement à la conduite d'eau froide avec filtre poreux.
5. Filtre à eau (1 pièce en option) : Il sert à raccorder l'eau du robinet au produit. S'il y a un raccordement pour la bonbonne, il n'est pas nécessaire d'utiliser un filtre à eau.

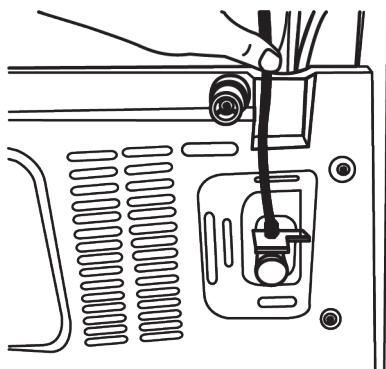
Raccordement du tuyau d'eau au produit

Suivez les instructions ci-dessous pour raccorder le tuyau d'eau à l'appareil.

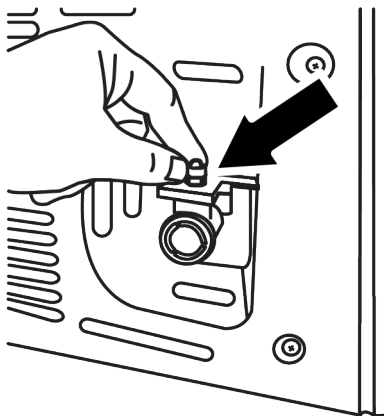
1. Retirez le raccord de l'adaptateur de tuyau qui se trouve à l'arrière de l'appareil et vissez le raccord sur le tuyau d'eau.



2. Fixez le tuyau d'eau à l'adaptateur de tuyau en le poussant fermement vers le bas.



3. Sécurisez le raccord à vis de l'adaptateur de raccord de tuyau en le serrant à la main. Vous pouvez serrer le raccord à l'aide d'une clé à tube ou d'une pince.

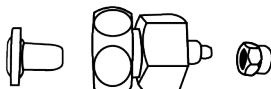


Raccordement au réseau d'eau

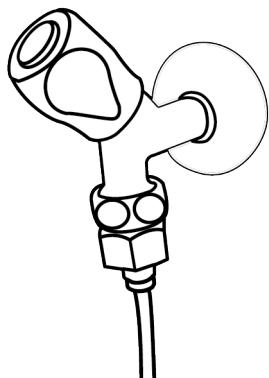
(Cette caractéristique est en option)

Si vous souhaitez utiliser le produit en le raccordant à la conduite d'eau froide, vous devez raccorder un robinet standard de 1/2" au réseau d'eau froide de votre maison. Si cette armature n'est pas disponible et que vous n'êtes pas sûr(e), contactez un plombier qualifié.

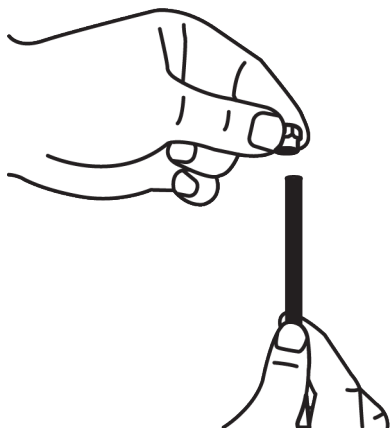
1. Détachez le raccord de l'adaptateur de robinet.



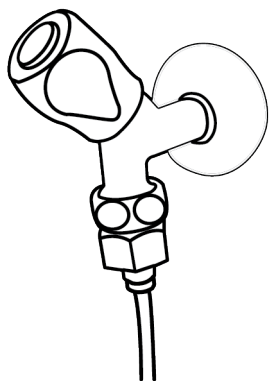
2. Raccordez l'adaptateur de robinet à la vanne de la conduite principale.



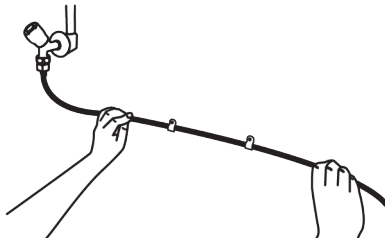
3. Vissez le raccord sur le tuyau d'eau.



4. Vissez le raccord sur l'adaptateur de robinet et serrez-le à la main ou avec un outil.



5. Fixez le tuyau d'eau aux endroits appropriés à l'aide des clips fournis pour éviter qu'il ne s'abîme, ne glisse ou ne se détache par inadvertance.



AVERTISSEMENT

Après avoir ouvert le robinet, assurez-vous qu'il n'y a pas de fuite d'eau aux deux points de raccordement du tuyau d'eau. En cas de fuite, fermez immédiatement la vanne et serrez tous les raccords à l'aide d'une clé à tube ou d'une pince.

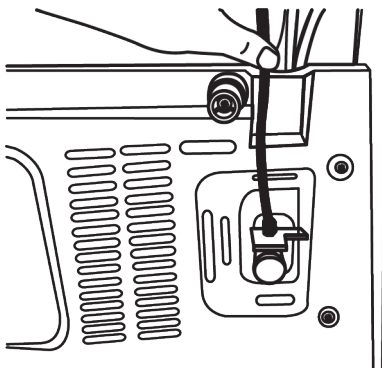
Pour les produits utilisés dans des récipients en verre ;

(Cette caractéristique est en option)

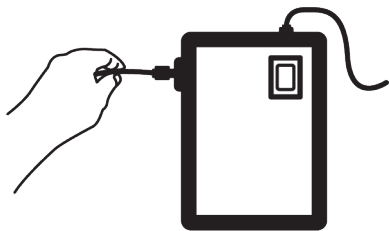
Pour raccorder l'eau de la bouteille au produit, il faut utiliser la pompe à eau recommandée par le service après-vente agréé.

Pour raccorder l'eau de la bouteille au produit, il faut utiliser la pompe à eau recommandée par le service après-vente agréé.

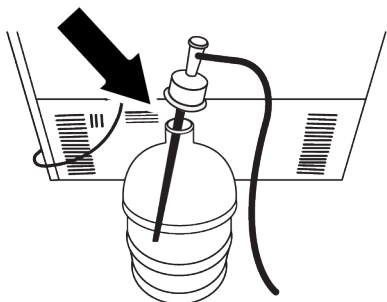
- Après avoir raccordé une extrémité du tuyau d'eau de la pompe au produit, suivez les instructions ci-dessous.



- Établissez la connexion en insérant l'autre extrémité du tuyau d'eau dans l'entrée du tuyau d'eau de la pompe.



- Fixez le tuyau de la pompe en l'insérant dans le récipient.



- Après avoir branché la pompe, branchez-la sur la prise de courant et démarrez la pompe.



Après avoir démarré la pompe, attendez 2 à 3 minutes qu'elle atteigne la puissance souhaitée.



Lors de l'établissement du raccordement à l'eau, respectez le mode d'emploi de la pompe.



Si vous utilisez une bouteille à panier, vous n'avez pas besoin d'utiliser un filtre à eau.

Filtre à eau

(Cette caractéristique est en option)

Selon le modèle, votre appareil peut être équipé d'un filtre externe ou interne. Pour fixer le filtre à eau, suivez les instructions ci-dessous.

Montage du filtre extérieur sur le mur

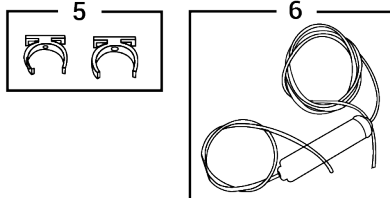
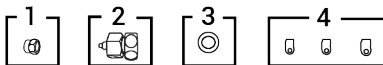
(Cette caractéristique est en option)



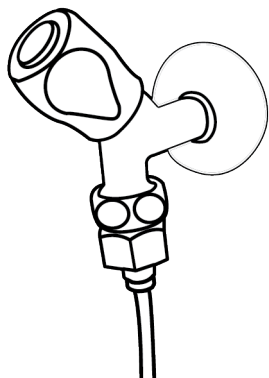
AVERTISSEMENT

Ne fixez pas le filtre sur le réfrigérateur.

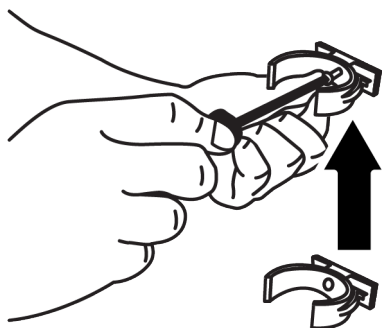
En fonction du modèle de votre produit, vérifiez si les éléments suivants sont inclus dans la livraison :



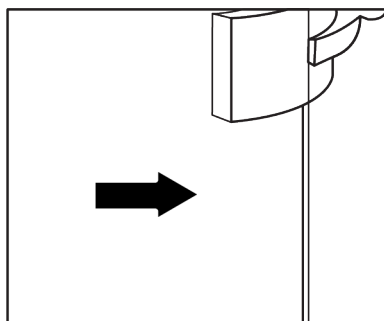
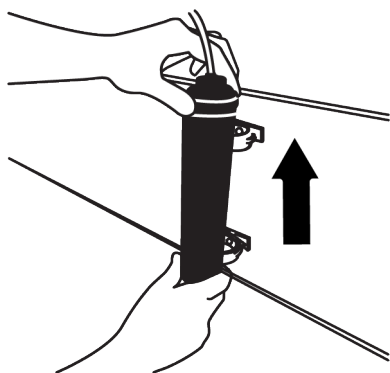
- Connecteur (1 pièce) : Pour fixer le tuyau d'eau à l'arrière de l'appareil.
- Adaptateur de robinet (1 pièce) : Pour le raccordement à la conduite d'eau froide.
- Filtre poreux (1 pièce)
- Attache pour tuyau (3 pièces) : Sert à fixer le tuyau d'eau au mur.
- Dispositif de raccordement du filtre (2 pièces) : Sert à fixer le filtre au mur.
- Filtre à eau (1 pièce) : Il sert à raccorder l'eau du robinet au produit. S'il y a un raccordement pour la bonbonne, il n'est pas nécessaire d'utiliser un filtre à eau.
- Raccordez l'adaptateur de robinet à la vanne de la conduite principale.
- Déterminez l'endroit où le filtre extérieur doit être fixé. Fixer le dispositif de raccordement du filtre (5) sur le mur.
- Fixez le filtre verticalement sur le support de filtre, comme indiqué sur l'étiquette. (6).



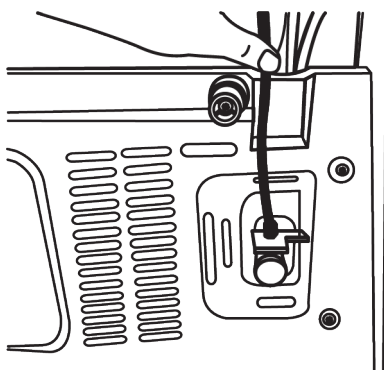
10. Raccordez le tuyau d'eau qui sort du filtre par le haut à l'adaptateur de raccordement à l'eau de l'appareil.



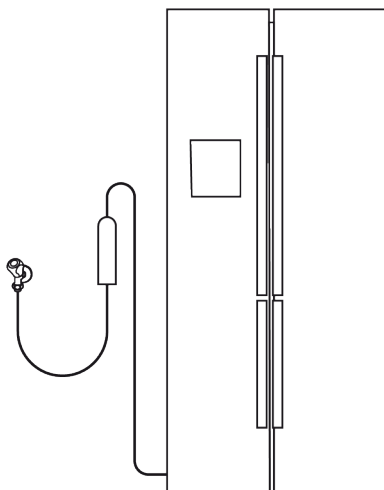
11. Une fois le raccordement terminé, l'image devrait ressembler à celle ci-dessous.



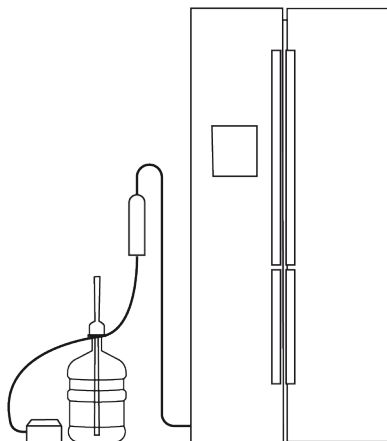
Le filtre interne n'étant pas fourni avec l'appareil, vous devez le préparer comme suit :



Conduite d'eau

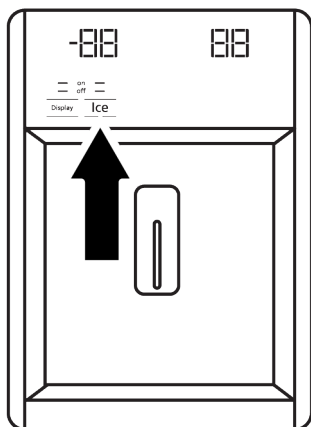


Conduite de la bonbonne :



Ne pas utiliser les 10 premiers verres d'eau après avoir branché le filtre.

1. Lors de l'installation du filtre, l'affichage « **Glace éteinte** » doit être actif. Le passage de l'affichage ON à OFF sur l'écran se fait en appuyant sur la touche « **glace** » .



2. Retirez le bac à légumes pour accéder au filtre à eau.

10 Entretien et nettoyage

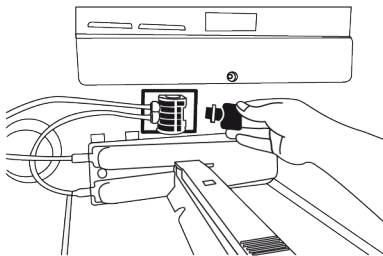
Lisez d'abord les « Consignes de sécurité » !

3. Retirez le couvercle de dérivation du filtre à eau en le tirant vers vous.

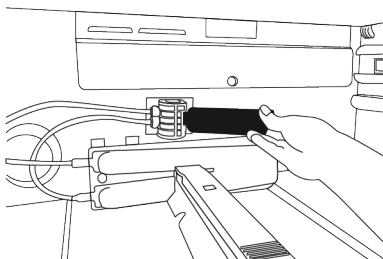


Il est normal que quelques gouttes d'eau sortent après avoir retiré le couvercle.

4. Insérez le couvercle du filtre à eau dans le mécanisme et poussez-le vers l'avant pour le verrouiller.



5. Quittez le mode « **Glace désactivée** » en appuyant à nouveau sur le bouton « **Glace** » de l'écran.



Le filtre à eau élimine certaines particules étrangères de l'eau. Il ne nettoie pas l'eau des micro-organismes.

Avant de nettoyer votre appareil, débranchez-le ou mettez hors tension le fusible auquel il est raccordé.

Ne placez pas vos mains, vos pieds ou des objets métalliques sous le réfrigérateur ou entre le réfrigérateur et le sol, pour quelque raison que ce soit. Il peut se coincer ou des bords tranchants peuvent provoquer des blessures.

- N'utilisez pas des objets pointus ou des produits de nettoyage abrasifs pour nettoyer l'appareil. Il ne faut pas utiliser de matériaux tels que des produits d'entretien ménager, du savon, des détergents, du gaz, de l'essence, un diluant, de l'alcool, de la cire, etc.
- La poussière doit être enlevée de la grille de ventilation située à l'arrière du produit au moins une fois par an (sans ouvrir le couvercle). Nettoyez l'appareil avec un chiffon humide.

Pour des appareils dotés d'un distributeur d'eau/machine à glaçons,

- Dans le cas où l'eau du réservoir a attendu 2 à 3 semaines, elle doit être remplacée.
- Le réservoir d'eau et les composants de la fontaine à eau ne doivent pas être lavés au lave-vaisselle.
- Faites fondre une cuillère à café de carbonate dans un demi-litre d'eau. Trempez un morceau de tissu dans cette eau et essorez-le. Nettoyez soigneusement l'appareil avec ce chiffon et ensuite avec un chiffon sec.
- Veillez à ce que l'eau n'entre pas en contact avec le couvercle de la lampe, le verre de l'éclairage LED, les orifices d'aération ou d'autres pièces électriques. Risque d'électrocution et de court-circuit !
- N'ouvrez pas les parties sous tension (couvercle de la carte de commande, couvercle arrière du compresseur, le cas échéant, etc.) sans la présence d'une personne autorisée et n'effectuez pas de nettoyage, d'entretien ou de réparation à cet endroit. Si votre produit n'a pas de couvercle dans la section du compresseur, ne touchez pas cette zone avec vos mains ou avec un objet quelconque. Risque de choc électrique et de blessure !

- Nettoyez la porte avec un chiffon humide. Retirez les grilles de la porte et de la caisse, ainsi que tout le contenu du réfrigérateur. Retirez les supports de porte en les soulevant vers le haut. Nettoyez et séchez les étagères, puis refixez-les en les faisant glisser à partir du haut.
- N'utilisez pas d'eau chlorée ou de produits de nettoyage sur la surface extérieure et les pièces chromées de l'appareil. Le chlore entraîne la corrosion de ce type de surfaces métalliques.
- Ne placez pas vos mains, vos pieds ou des objets métalliques sous le réfrigérateur. Il peut se coincer ou des bords tranchants peuvent provoquer des blessures.
- Il ne faut pas utiliser d'outils tranchants et abrasifs, de savon, de produits d'entretien ménager, de détergents, de gaz, d'essence, de vernis et de substances similaires pour empêcher la déformation de la pièce en plastique et l'élimination des empreintes sur la pièce. Utilisez de l'eau chaude et un chiffon doux pour le nettoyage, puis séchez-le.

Sur les produits sans fonction « No-Frost »,

- des gouttelettes d'eau et un givre pouvant atteindre l'épaisseur d'un doigt peuvent se former sur la paroi arrière du compartiment congélateur. Ne nettoyez pas et n'appliquez jamais d'huiles ou de produits similaires.
- Utilisez un chiffon en microfibres légèrement humidifié pour nettoyer la surface extérieure du produit. Les éponges et autres types de vêtements de nettoyage peuvent provoquer des éraflures.
- Afin de nettoyer tous les composants amovibles pendant le nettoyage de la surface intérieure du produit, il faut laver ces composants avec une solution douce composée de savon, d'eau et de carbonate. Lavez et séchez soigneusement. Évitez le contact de l'eau avec les composants d'éclairage et le panneau de contrôle.

- Veillez à ce que l'eau n'entre pas en contact avec le couvercle de la lampe et les autres pièces électriques.
- Nettoyez la porte avec un chiffon humide. Retirez tout le contenu pour enlever la porte et les supports de carrosserie. Retirez les supports de porte en les soulevant vers le haut. Nettoyez et séchez les étagères, puis refixez-les en les faisant glisser à partir du haut.
- N'utilisez pas d'eau chlorée ou de produits de nettoyage sur la surface extérieure et les pièces chromées de l'appareil. Le chlore entraîne la corrosion de ce type de surfaces métalliques.
- Il ne faut pas utiliser d'outils tranchants et abrasifs, de savon, de produits d'entretien ménager, de détergents, de gaz, d'essence, de vernis et de substances similaires pour empêcher la déformation de la pièce en plastique et l'élimination des empreintes sur la pièce. Utilisez de l'eau chaude et un chiffon doux pour le nettoyage, puis séchez-le.
- Sur les produits sans fonction antigel, des gouttes d'eau et du givre jusqu'à l'épaisseur d'un doigt peuvent apparaître sur la paroi arrière du compartiment congélateur. Ne nettoyez pas et n'appliquez jamais d'huiles ou de produits similaires.
- Utilisez un chiffon en microfibrilles légèrement humidifié pour nettoyer la surface extérieure du produit. Les éponges et autres types de vêtements de nettoyage peuvent provoquer des éraflures.
- Afin de nettoyer tous les composants amovibles pendant le nettoyage de la surface intérieure du produit, il faut laver ces composants avec une solution douce

composée de savon, d'eau et de carbonate. Lavez et séchez soigneusement. Évitez le contact de l'eau avec les composants d'éclairage et le panneau de contrôle.

- N'utilisez pas de vinaigre, d'alcool à friction ni de produits nettoyants à base d'alcool sur les surfaces intérieures.

Surfaces extérieures en acier inoxydable

Utilisez un produit de nettoyage non abrasif pour l'acier inoxydable et appliquez-le avec un chiffon doux non pelucheux. Pour polir, essuyez doucement la surface avec un chiffon en microfibrilles humidifié à l'eau et utilisez une peau de chamois sèche. Suivez toujours les veines de l'acier inoxydable.

Prévention des odeurs

À sa sortie d'usine, cet appareil ne contient aucun matériau odorant. Toutefois, le stockage inapproprié des aliments et le nettoyage incorrect des surfaces internes peuvent être à l'origine d'odeurs.

- Pour éviter cela, nettoyez l'intérieur à l'aide de carbonate dissout dans l'eau tous les 15 jours.
- Conservez les aliments dans des récipients scellés, car les micro-organismes provenant des aliments conservés dans des récipients non scellés provoquent une mauvaise odeur.
- Ne conservez pas d'aliments périmés ou avariés dans le réfrigérateur.

Protection des surfaces en plastique

Si de l'huile se répand sur les surfaces en plastique, il faut immédiatement les nettoyer avec de l'eau tiède, sinon elles seront endommagées.

11 Dépannage

Lisez d'abord les « Consignes de sécurité » !

Vérifiez la liste suivante avant de contacter le service après-vente. Cela devrait vous éviter de perdre du temps et de l'argent. Cette liste répertorie les plaintes fréquentes

ne provenant pas de vices de fabrication ou des défauts de pièces. Certaines fonctionnalités mentionnées dans ce manuel peuvent ne pas exister sur votre modèle.

Si le problème persiste même après observation des instructions contenues dans cette partie, contactez votre fournisseur ou un service de maintenance agréé. N'essayez pas de réparer vous-même l'appareil.

Le réfrigérateur ne fonctionne pas.

- La fiche électrique n'est pas correctement insérée. >>> Branchez-la en l'enfonçant complètement dans la prise.
- Le fusible branché à la prise qui alimente l'appareil ou le fusible principal est grillé. >>> Vérifiez les fusibles.

Condensation sur la paroi latérale du congélateur (MULTI ZONE, COOL, CONTROL et FLEXI ZONE).

- La porte a été ouverte trop fréquemment >>> Évitez d'ouvrir trop fréquemment la porte de l'appareil.
- L'environnement est trop humide. >>> N'installez pas l'appareil dans des endroits humides.
- Les aliments contenant des liquides sont conservés dans des récipients non fermés. >>> Conservez ces aliments dans des emballages scellés.
- La porte de l'appareil est restée ouverte. >>> Ne laissez pas la porte de l'appareil ouverte longtemps.
- Le thermostat est réglé sur une température très froide. >>> Réglez le thermostat à la température appropriée.

Le compresseur ne fonctionne pas.

- En cas de coupure soudaine de courant ou de débranchement intempestif, la pression du gaz dans le système de réfrigération de l'appareil n'est pas équilibrée, ce qui déclenche la fonction de conservation thermique du compresseur. L'appareil se remet en marche au bout de 6 minutes environ. Dans le cas contraire, veuillez contacter le service de maintenance.
- Le dégivrage est actif. >>> Ce processus est normal pour un appareil à dégivrage complètement automatique. Le dégivrage se déclenche périodiquement.
- L'appareil n'est pas branché. >>> Vérifiez que le cordon d'alimentation est branché.

- Le réglage de la température est incorrect. >>> Sélectionnez le réglage de température approprié.
- Absence d'énergie électrique. >>> L'appareil continuera à fonctionner normalement une fois le courant rétabli.

Le bruit du réfrigérateur en fonctionnement s'accroît pendant son utilisation.

- Le rendement de l'appareil en fonctionnement peut varier en fonction des fluctuations de la température ambiante. Ceci est normal et ne constitue pas un dysfonctionnement.

Le réfrigérateur fonctionne fréquemment ou pendant de longues périodes.

- Il se peut que le nouvel appareil soit plus grand que l'ancien. Les appareils plus grands fonctionnent plus longtemps.
- La température de la pièce est peut-être trop élevée. >>> Il est normal que l'appareil fonctionne plus longtemps quand la température de la pièce est élevée.
- L'appareil vient peut-être d'être branché ou chargé de nouvelles denrées alimentaires. >>> L'appareil met plus longtemps à atteindre la température réglée s'il vient d'être branché ou récemment rempli de denrées. C'est normal.
- Il est possible que des quantités importantes d'aliments chauds aient été récemment placés dans l'appareil. >>> Ne mettez pas d'aliments chauds à l'intérieur de l'appareil.
- Les portes étaient ouvertes fréquemment ou sont restées longtemps ouvertes. >>> L'air chaud qui se déplace à l'intérieur permet à l'appareil de fonctionner plus longtemps. N'ouvrez pas les portes trop fréquemment.
- Il est possible que la porte du congélateur soit entrouverte. >>> Vérifiez que les portes sont complètement fermées.
- L'appareil peut être réglé à une température trop basse. >>> Réglez la température à un degré supérieur et attendez que l'appareil atteigne la nouvelle température.

- Le joint de la porte du congélateur peut être sale, usé, cassé, ou mal positionné. >>> Nettoyez ou remplacez le joint d'étanchéité. Si le joint du congélateur est endommagé ou arraché, l'appareil prendra plus longtemps à conserver la température actuelle.

La température du congélateur est très basse, alors que celle du réfrigérateur est appropriée.

- La température du compartiment congélateur est très basse. >>> Réglez la température du compartiment congélateur à un degré supérieur et vérifiez à nouveau.

La température du réfrigérateur est très basse, alors que celle du congélateur est appropriée.

- La température du compartiment réfrigérateur est très basse. >>> Réglez la température du compartiment de refroidissement à un degré supérieur et vérifiez à nouveau.

Les aliments conservés dans le compartiment réfrigérateur sont congelés.

- La température du compartiment réfrigérateur est très basse. >>> Réglez la température du compartiment de refroidissement à un degré supérieur et vérifiez à nouveau.

La température du compartiment réfrigérateur ou congélateur est très élevée.

- La température du compartiment réfrigérateur est réglée à un degré très élevé. >>> Le réglage de la température du compartiment réfrigérateur a une incidence sur la température du compartiment congélateur. Attendez jusqu'à ce que la température des pièces correspondantes atteigne le niveau d'efficacité requis en changeant la température des compartiments réfrigérateur ou congélateur.
- Les portes étaient ouvertes fréquemment ou sont restées longtemps ouvertes. >>> N'ouvrez pas les portes trop fréquemment.
- La porte peut être entrouverte. >>> Fermez complètement la porte.

- L'appareil vient peut-être d'être branché ou chargé de nouvelles denrées alimentaires. >>> Cela est normal. L'appareil met plus longtemps à atteindre la température réglée s'il vient d'être branché ou récemment rempli de denrées.
- Il est possible que des quantités importantes d'aliments chauds aient été récemment placées dans l'appareil. >>> Ne mettez pas d'aliments chauds à l'intérieur de l'appareil.

En cas de vibrations ou de bruits.

- La surface n'est pas plate ou durable >>> Si l'appareil balance lorsqu'il est déplacé doucement, ajustez les supports afin de le remettre en équilibre. Assurez-vous également que le sol est assez solide pour supporter l'appareil.
- Les éléments placés sur l'appareil peuvent être à l'origine du bruit. >>> Retirez tous les éléments placés sur l'appareil.
- L'appareil émet un bruit d'écoulement de liquide ou de pulvérisation, etc.
- Les principes de fonctionnement de l'appareil impliquent des écoulements de liquides et des émissions de gaz. >>> Ceci est normal et ne constitue pas un dysfonctionnement.

L'appareil émet un sifflement.

- L'appareil effectue le refroidissement à l'aide d'un ventilateur. Ceci est normal et ne constitue pas un dysfonctionnement.

Il y a de la condensation sur les parois internes de l'appareil.

- Un climat chaud ou humide accélère le processus de givrage et de condensation. Ceci est normal et ne constitue pas un dysfonctionnement.
- Les portes étaient ouvertes fréquemment ou sont restées longtemps ouvertes. >>> N'ouvrez pas les portes trop fréquemment ; fermez-les lorsqu'elles sont ouvertes.
- La porte peut être entrouverte. >>> Fermez complètement la porte.

Il y a de la condensation sur les parois externes ou entre les portes de l'appareil.

- Il se peut que le climat ambiant soit humide, auquel cas cela est normal. >>> La condensation se dissipera lorsque l'humidité sera réduite.

Présence d'une odeur désagréable dans l'appareil.

- L'appareil n'est pas nettoyé régulièrement. >>> Nettoyez régulièrement l'intérieur à l'aide d'une éponge, de l'eau tiède et du carbonate dissout dans l'eau.
- Certains récipients et matériaux d'emballage sont peut-être à l'origine des mauvaises odeurs. >>> Utilisez des récipients et des emballages exempts de toute odeur.
- Les aliments étaient placés dans des récipients ouverts. >>> Conservez les aliments dans des récipients fermés. Les micro-organismes peuvent se propager à partir de produits alimentaires non scellés et provoquer une mauvaise odeur.
- Retirez tous les aliments périmés ou avariés de l'appareil.

La porte ne se ferme pas.

- Les paquets d'aliments peuvent bloquer la porte. >>> Déplacez tout ce qui bloque les portes.

- L'appareil ne se tient pas parfaitement droit sur le sol. >>> Ajustez les supports afin de remettre l'appareil en équilibre.
- La surface n'est pas plane ou durable >>> Assurez-vous que la surface est plane et suffisamment durable pour supporter le produit.

Le bac à légumes est bloqué.

- Il est possible que les aliments soient en contact avec la section supérieure du bac. >>> Reclassez les aliments dans le bac.

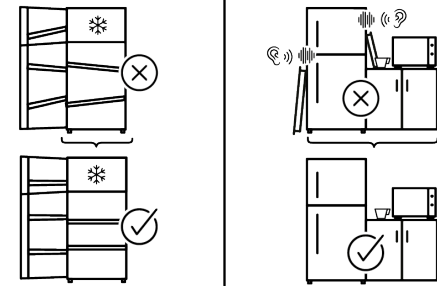
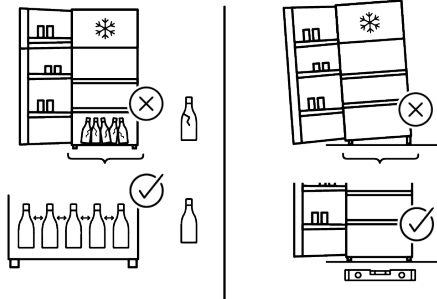
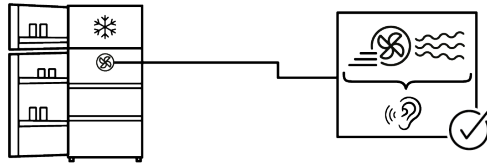
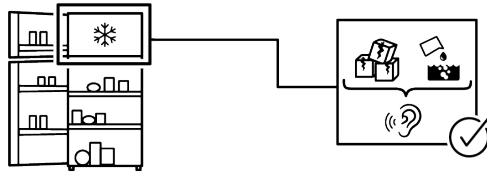
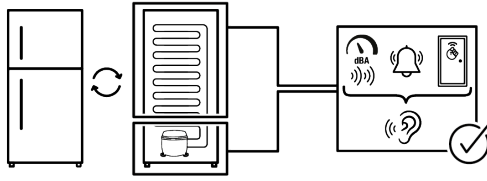
Température à la surface de l'appareil.

- Une température élevée peut être observée entre deux portes, sur les panneaux latéraux et sur la zone du gril arrière lorsque votre appareil est utilisé. C'est normal et cela ne nécessite pas d'entretien.

Le ventilateur continue de fonctionner lorsque la porte est ouverte.

- Le ventilateur peut continuer à fonctionner lorsque la porte du congélateur est ouverte.

Si le problème persiste même après observation des instructions contenues dans cette partie, contactez votre fournisseur ou un service de maintenance agréé. N'essayez pas de réparer vous-même l'appareil. C'est normal.



CLAUSE DE NON-RESPONSABILITÉ

Certaines défaillances (simples) peuvent être traitées de manière adéquate par l'utilisateur final sans qu'aucun problème de sécurité ou d'utilisation dangereuse ne survienne, à condition qu'elles soient effectuées dans les limites et conformément aux instructions suivantes (voir la section « Auto-réparation »).

Par conséquent, sauf autorisation contraire dans la section « Auto-réparation » ci-dessous, adressez-vous à des réparateurs professionnels agréés pour toutes réparations afin d'éviter des problèmes de sécurité. Un réparateur professionnel agréé est une personne à qui le fabricant a donné accès aux instructions et à la liste des pièces détachées de ce produit selon les méthodes décrites dans les actes législatifs en application de la directive 2009/125/CE

Toutefois, seul l'agent de service (c'est-à-dire les réparateurs professionnels agréés) que vous pouvez joindre au numéro de téléphone indiqué dans le manuel d'utilisation/la carte de garantie ou par l'intermédiaire de votre fournisseur agréé peut fournir un service conformément aux conditions de garantie. Par conséquent, veuillez noter que les réparations effectuées par des réparateurs professionnels (qui ne sont pas autorisés par) Bauknecht Marka annulent la garantie.

Auto-réparation

L'auto-réparation peut être effectuée par l'utilisateur final en ce qui concerne les pièces de rechange suivantes : poignées de porte, charnières de porte, plateaux, paniers et joints de porte (une liste mise à jour est également disponible sur <https://parts-selfservice.europeanappliances.com> à partir du 1er mars 2021).

En outre, pour garantir la sécurité du produit et éviter tout risque de blessure grave, ladite auto-réparation doit être effectuée en suivant les instructions du manuel d'utilisation pour l'auto-réparation ou celles disponibles sur <https://parts-selfservice.euro->

[europeanappliances.com](https://parts-selfservice.europeanappliances.com) . Pour votre sécurité, débranchez le produit avant de procéder à toute auto-réparation.

Les réparations et tentatives de réparation par les utilisateurs finaux pour des pièces ne figurant pas dans cette liste et/ou ne suivant pas les instructions des manuels d'utilisation pour l'auto-réparation ou celles disponibles sur <https://parts-selfservice.europeanappliances.com>, pourraient donner lieu à des problèmes de sécurité non imputables à Bauknecht, et annuleront la garantie du produit.

Il est donc fortement recommandé aux utilisateurs finaux de s'abstenir de tenter d'effectuer des réparations ne figurant pas sur la liste des pièces de rechange mentionnée, mais de contacter dans de tels cas des réparateurs professionnels autorisés ou des réparateurs professionnels agréés. Au contraire, de telles tentatives de la part des utilisateurs finaux peuvent causer des problèmes de sécurité et endommager le produit et, par la suite, provoquer un incendie, une inondation, une électrocution et des blessures corporelles graves.

À titre d'exemple, mais sans s'y limiter, vous devez vous adresser à des réparateurs professionnels autorisés ou à des réparateurs professionnels agréés pour les réparations suivantes : compresseur, circuit de refroidissement, carte mère, carte d'inverseur, panneau d'affichage, etc.

Le fabricant/vendeur ne peut être tenu responsable dans tous les cas où les utilisateurs finaux ne se conforment pas à ce qui précède.

La disponibilité des pièces de rechange du réfrigérateur que vous avez acheté est de 10 ans. Pendant cette période, les pièces de rechange d'origine seront disponibles pour faire fonctionner le réfrigérateur correctement.

La durée minimale de garantie du réfrigérateur que vous avez acheté est de 24 mois. Cet appareil est équipé d'une source d'éclairage de classe énergétique « G ».

La source d'éclairage de cet appareil ne doit être remplacée que par des réparateurs professionnels.

Bitte lesen Sie zunächst dieses Handbuch

Lieber Kunde,

Vielen Dank, dass Sie sich für dieses Produkt entschieden haben.

Wir möchten, dass Sie mit diesem hochwertigen Produkt, das mit modernster Technologie hergestellt wurde, die optimale Effizienz erzielen. Lesen Sie daher vor der Verwendung des Produkts diese Bedienungsanleitung und alle anderen mitgelieferten Unterlagen sorgfältig durch.

Beachten Sie alle Informationen und Warnungen im Bedienungsanleitung. Auf diese Weise schützen Sie sich und Ihr Produkt vor den Gefahren, die auftreten können. Bewahren Sie das Bedienungsanleitung auf. Fügen Sie diese Anleitung dem Produkt bei, wenn Sie sie an eine andere Person übergeben.





Die folgenden Symbole werden im Benutzerhandbuch und auf dem Produkt verwendet:



Lesen Sie die Bedienungsanleitung.



Gefahr, die zum Tod oder zu Verletzungen führen kann.

  SUPPLIER'S NAME MODEL IDENTIFIER → (*)  	Die in der Produktdatenbank gespeicherten Modellinformationen können über die folgende Website und die Suche nach Ihrer Modellkennung (*) auf dem Energieetikett abgerufen werden. https://eprel.ec.europa.eu/
--	---



1	Sicherheitshinweise	86
1.1	Verwendungszweck	86
1.2	Sicherheit von Kindern, gefährdeten Personen und Haustieren	87
1.3	Elektrische Sicherheit	87
1.4	Handhabungssicherheit	88
1.5	Montagesicherheit	89
1.6	Betriebssicherheit	92
1.7	Sicherheit bei der Lagerung von Lebensmitteln	96
1.8	Wartungs- und Reinigungssicherheit	97
1.9	Beleuchtung	98
1.10	Entsorgung des alten Produkts	99
2	Umwelthinweise	99
2.1	Informationen zur Entsorgung:.....	99
3	Ihr Kühlschrank	101
4	Aufstellung	101
5	Vorbereitung	103
5.1	Was man zum Energiesparen tun kann	104
5.2	Erste Verwendung	104
5.3	Klimaklasse und Definitionen	104
6	Produktbedienung	105
7	Bedienfeld des Geräts	105
8	Verwendung des Geräts	107
8.1	Aufbewahrung von Lebensmitteln im Gefrier- und Kühlfach	107
8.2	Auswechseln der Beleuchtungslampe	110
8.3	Alarm bei offener Tür	110
9	Produktmerkmale	110
9.1	Der Eisspeicherraum	110
9.2	Eierhalter	113
9.3	Gemüsefach	113
9.4	Kühlraum für Molkereiprodukte....	113
9.5	Feuchtigkeitsregulierter Gemüsefach	113
9.6	Wasseranschluss	113
10	Wartung und Reinigung	119
11	Fehlerbehebung	121



1 Sicherheitshinweise

- Dieser Abschnitt enthält die notwendigen Sicherheitshinweise, um die Gefahr von Personen- und Sachschäden zu vermeiden.
 - Unser Unternehmen haftet nicht für Schäden, die bei Nichtbeachtung dieser Anweisungen entstehen können.
 - Lassen Sie Montage- und Reparaturarbeiten immer vom Hersteller, einem autorisierten Kundendienst oder einer Person, die von der einführenden Firma beschrieben wird, durchführen.
 - Verwenden Sie nur Originalersatzteile und Zubehör.
 - Reparieren oder ersetzen Sie keine Komponenten des Produkts, wenn dies nicht eindeutig in der Bedienungsanleitung angegeben ist.
 - Nehmen Sie keine Änderungen am Produkt vor.
-  **1.1 Verwendungszweck**

- Dieses Produkt ist nicht für den kommerziellen Gebrauch geeignet und sollte nicht für einen anderen als den vorgesehenen Zweck verwendet werden.

- Dieses Produkt ist für den Betrieb in Innenräumen, wie z.B. in Haushalten oder ähnlichem, vorgesehen.

Zum Beispiel;

In den Personalküchen von Geschäften, Büros und anderen Arbeitsumgebungen,

In Bauernhöfen,

In den Räumen von Hotels, Motels oder anderen Erholungseinrichtungen, die von Kunden genutzt werden,

In Herbergen oder ähnlichen Umgebungen,

In Catering-Diensten und ähnlichen Anwendungen außerhalb des Einzelhandels.

- Dieses Produkt darf nicht in offenen oder geschlossenen Außenbereichen wie Schiffen, Wohnmobile, Balkonen oder Terrassen verwendet werden. Wenn das Produkt Regen, Schnee, Sonnenlicht und Wind ausgesetzt wird, besteht Brandgefahr.

1.2 Sicherheit von Kindern, gefährdeten Personen und Haustieren



- Dieses Produkt kann von Kindern ab 8 Jahren und Personen mit unterentwickelten körperlichen, sensorischen oder geistigen Fähigkeiten oder mangelnder Erfahrung und Kenntnis verwendet werden, wenn sie beaufsichtigt werden oder eine Einweisung in den sicheren Gebrauch des Geräts und die damit verbundenen Gefahren erhalten haben.
- Kinder zwischen 3 und 8 Jahren dürfen Lebensmittel in das Kühlerprodukt einlegen und aus ihr entnehmen.
- Kinder und Haustiere dürfen nicht mit dem Produkt spielen, darauf herumklettern oder in das Innere des Produkts gelangen.
- Kinder und Haustiere müssen vom Kabinenbereich (Kompressor), in dem sich elektrische Teile befinden, ferngehalten werden.
- Reinigung und Benutzerwartung darf nicht von Kindern durchgeführt werden, es sei denn, sie werden von jemandem beaufsichtigt.

- Halten Sie Verpackungsmaterialien von Kindern fern! Es besteht Verletzungs- und Erstickengefahr.
- Wenn ein Schloss an der Tür des Geräts vorhanden ist, bewahren Sie den Schlüssel außerhalb der Reichweite von Kindern auf.



1.3 Elektrische Sicherheit

- Das Gerät darf während der Installation, Wartung, Reinigung, Reparatur und des Transports nicht an die Steckdose angeschlossen werden.
- Wenn das Netzkabel beschädigt ist, muss es von der vom Hersteller, einem autorisierten Dienstleister oder dem Importeur beauftragten Person ausgetauscht werden, um eine mögliche Gefahr zu vermeiden.
- Verlegen Sie das Netzkabel nicht unter dem Gerät oder an der Rückseite des Geräts. Stellen Sie keine schweren Gegenstände auf das Netzkabel. Das Netzkabel darf nicht geknickt oder gequetscht werden und nicht mit einer Wärmequelle in Berührung kommen.
- Verwenden Sie nur ein Originalkabel. Verwenden Sie keine abgeschnittenen oder beschädigten Kabel.

- Verwenden Sie keine Verlängerungskabel, Mehrfachsteckdosen oder Adapter, um Ihr Gerät zu betreiben.
- Tragbare Mehrfachsteckdosen oder tragbare Netzteile können sich überhitzen und einen Brand verursachen. Stellen Sie daher keine tragbaren Stromquellen mit Mehrfachsteckdosen hinter oder in der Nähe des Geräts auf.
- Bevor Sie das Gerät an das Stromnetz anschließen, nehmen Sie bitte während der Installation das Netzkabel aus der Kondensatorhalterung (sofern vorhanden) heraus.
- Der Benutzer sollte nicht in der Lage sein, nach erfolgter Installation die Elektroteile zu erreichen.
- Schließen Sie das Netzkabel des Geräts nicht an eine lose oder beschädigte Steckdose an. Derartige Verbindungen können überhitzen und einen Brand verursachen.
- Der Stecker muss leicht zugänglich sein. Wenn dies nicht möglich ist, muss die Elektroinstallation über einen Mechanismus verfügen, der den gesetzlichen Vorschriften entspricht und alle Anschlüsse vom Netz trennt (Sicherung, Schalter, Hauptschalter usw.).
- Das Produkt darf nicht mit einem externen Schaltgerät wie z. B. einer Zeitschaltuhr oder einem ferngesteuerten System betrieben werden.
- Benutzen Sie das Produkt nicht, wenn Sie nackte Füße haben oder Ihr Körper nass ist.
- Berühren Sie den Stecker nicht mit nassen Händen!
- Fassen Sie beim Ausstecken des Geräts nicht das Netzkabel, sondern den Stecker an.
- Achten Sie darauf, dass der Stecker nicht nass, schmutzig oder staubig ist.
- Schließen Sie Ihr Gerät niemals an stromsparende Geräte an. Solche Systeme sind schädlich für das Gerät.



1.4 Handhabungssicherheit

- Ziehen Sie unbedingt den Netzstecker, bevor Sie das Gerät tragen.
- Dieses Produkt ist schwer, handhaben Sie es nicht selbst. Wenn das Gerät auf Sie fällt, können Sie sich verletzen. Stoßen Sie beim Transport nicht an und lassen Sie das Gerät nicht fallen.

- Schließen Sie immer die Türen und halten Sie das Gerät nicht an den Türen fest, wenn Sie es transportieren.
- Achten Sie beim Umgang mit dem Gerät darauf, dass das Kühlsystem und die Leitungen nicht beschädigt werden. Nehmen Sie das Gerät nicht in Betrieb, wenn die Leitungen beschädigt sind, und wenden Sie sich an einen autorisierten Kundendienst.

1.5 Montagesicherheit

- Um das Produkt für den Gebrauch vorzubereiten, lesen Sie bitte die Informationen im Benutzer- und Installationshandbuch und vergewissern Sie sich, dass die Strom- und Wasseranschlüsse wie gewünscht sind. Wenn dies nicht der Fall ist, wenden Sie sich an einen qualifizierten Elektriker und einen Monteur, um die Versorgungsleitungen entsprechend zu installieren.
- **Andernfalls kann es zu einem elektrischen Schlag, Brand, Problemen mit dem Gerät oder Verletzungen kommen.**
- Bevor Sie mit der Installation beginnen, schalten Sie die Sicherung aus, um die Stromleitung, an die das Produkt angeschlossen ist, stromlos zu machen.
- Die Installation des Geräts sollte von zwei Personen durchgeführt werden. Bitte tragen Sie Schutzhandschutz, wenn Sie das Gerät entpacken und installieren.
- Dieses Produkt ist für die Verwendung in einer maximalen Höhe von 2000 Metern über dem Meeresspiegel ausgelegt.
- Halten Sie Kinder vom Installationsbereich fern.
- Überprüfen Sie das Gerät vor der Installation auf eventuelle Schäden. Lassen Sie das Gerät nicht installieren, wenn es beschädigt ist.
- Verwenden Sie bei der Installation, Wartung und Reparatur des Produkts stets persönliche Schutzausrüstung (Handschuhe usw.). Es besteht Verletzungsgefahr.
- Installieren Sie das Produkt nicht an Orten, an denen es externen Umgebungstemperaturen ausgesetzt sein könnte, und lassen Sie es nicht dort stehen.
- Stellen Sie das Gerät auf eine saubere, ebene und stabile Fläche und balancieren Sie es mit den verstellbaren Füßen aus (durch Drehen der vorderen Fü-

- ße nach rechts oder links). Andernfalls kann der Kühlschrank umkippen und Verletzungen verursachen.
- Gehen Sie mit Vorsicht vor, um Schäden an den Fußböden (Fliesen usw.) zu vermeiden, wenn Sie Gerät bewegen. Installieren Sie das Gerät unbedingt auf einem Untergrund, der stabil genug für dessen Größe, Gewicht sowie seine Nutzung ist. Achten Sie darauf, dass das Gerät nicht nahe von Wärmequellen aufgestellt wird und ein stabiler Stand gegeben ist und alle vier Gerätefüße festen Kontakt mit dem Boden haben. Installieren Sie das Gerät vorschriftsgemäß und kontrollieren Sie dessen waagerechten Stand mit einer Wasserwaage. Für das einwandfreie Funktionieren des Kühlmittelkreislaufs warten Sie bitte mindestens zwei Stunden, bevor Sie das Gerät in Betrieb nehmen.
 - Das Gerät muss in einer trockenen und belüfteten Umgebung aufgestellt werden. Legen Sie keine Teppiche, Vorleger oder ähnliche Beläge unter das Gerät. Dies kann zu Brandgefahr durch unzureichende Belüftung führen!
 - Die Lüftungsöffnungen dürfen nicht blockiert oder abgedeckt werden. Andernfalls erhöht sich der Stromverbrauch und Ihr Produkt kann beschädigt werden.
 - Achten Sie auf ausreichenden Abstand auf beiden Seiten und zur Raumdecke für eine angemessene Belüftung. Der Abstand zwischen der Geräterückwand und der Wand hinter dem Gerät muss mindestens 50 mm betragen, um eine Überhitzung der Oberflächen zu verhindern. Eine Verkleinerung dieses Abstands kann zu einem erhöhten Energieverbrauch des Geräts führen.
 - Achten Sie beim Platzieren des Produkts darauf, dass das Netzkabel nicht beschädigt oder eingeklemmt wird.
 - Das Produkt darf nicht an Versorgungssysteme und Stromquellen angeschlossen werden, die plötzliche Spannungsschwankungen verursachen können (z. B. eine tragbare Solarstromquelle). Andernfalls kann es durch die abrupten Spannungsschwankungen zu Schäden an Ihrem Produkt kommen!

- Je mehr Kältemittel ein Kühlschranks enthält, desto größer sollte sein Aufstellraum sein. In sehr kleinen Räumen kann bei einem Gasaustritt im Kühlsystem ein brennbares Gas-Luft-Gemisch entstehen. Pro 8 Gramm Kältemittel wird mindestens 1 m³ Rauminhalt benötigt. Die Menge des in Ihrem Produkt verfügbaren Kältemittels ist auf dem Typenschild angegeben.
- Das Gerät darf nicht so aufgestellt werden, dass Stromkabel, der Metallschlauch des Gasherds, Gas- oder Wasserleitungen aus Metall mit der Rückwand des Geräts (oder dem Verflüssiger) in Berührung kommen.
- Der Aufstellungsort des Produkts darf nicht der direkten Sonneneinstrahlung ausgesetzt sein und sich nicht in der Nähe von Wärmequellen wie Öfen, Heizkörpern usw. befinden. Wenn Sie die Aufstellung des Produkts in der Nähe einer Wärmequelle nicht vermeiden können, verwenden Sie eine geeignete Isolierplatte und stellen Sie sicher, dass der Mindestabstand zur Wärmequelle wie unten angegeben ist:
 - Mindestens 30 cm Abstand zu Wärmequellen wie Herden, Öfen, Heizgeräten und Heizkörpern usw.,
 - Und mindestens 5 cm Abstand zu Elektroöfen.
- Ihr Produkt hat die Schutzklasse I.
- Schließen Sie das Gerät an eine geerdete Steckdose an, die mit den auf dem Typenschild angegebenen Werten für Spannung, Stromstärke und Frequenz übereinstimmt. Die Steckdose muss mit einer 10A - 16A Sicherung ausgestattet sein. Unser Unternehmen übernimmt keine Haftung für alle Schäden aufgrund einer Nutzung ohne Erdung oder ohne eines Stromanschlusses, der nicht den örtlichen und nationalen Vorschriften genügt.
- Während der Aufstellung muss der Gerätenetzstecker gezogen sein. Andernfalls besteht die Gefahr eines Stromschlags und von Verletzungen!
- Schließen Sie das Gerät nicht an lockere, beschädigte, schmutzige, fettige oder aus der Verankerung geratene Steckdosen oder an Steckdosen an, die mit Wasser in Berührung kommen können. Der-

artige Verbindungen können überhitzen und einen Brand verursachen.

- Verlegen Sie das Netzkabel und die Schläuche (falls vorhanden) des Geräts so, dass sie keine Stolpergefahr darstellen.
- Das Eindringen von Feuchtigkeit und Flüssigkeit in stromführende Teile oder in das Netzkabel kann einen Kurzschluss verursachen. Verwenden Sie das Gerät daher nicht in feuchten Umgebungen oder in Bereichen, in denen Wasser spritzen kann (z.B. Garage, Waschküche usw.). Wenn der Kühlschrank nass geworden ist, ziehen Sie den Stecker und wenden Sie sich an einen autorisierten Kundendienst.
- Schließen Sie Ihren Kühlschrank niemals an Energiespargeräte an. Solche Systeme sind schädlich für das Gerät.
- Beim Entfernen der Abdeckung der Elektronikplatine und der hinteren Abdeckung des Kompressors (falls vorhanden) besteht die Gefahr des Kontakts mit elektrischen Teilen. Entfernen Sie nicht die Abdeckung der Elektronikplatine und die hintere Abdeckung des Kom-

pressors (falls vorhanden). Es besteht die Gefahr eines Stromschlags!



1.6 Betriebssicherheit

- Verwenden Sie niemals chemische Lösungsmittel für das Gerät. Diese Stoffe bergen ein Explosionsrisiko.
- Im Falle einer Störung des Geräts ziehen Sie den Stecker aus der Steckdose (oder schalten Sie die Sicherung aus, an die es angeschlossen ist) und nehmen Sie es nicht in Betrieb, bis es vom autorisierten Kundendienst repariert wurde. Es besteht die Gefahr eines Stromschlags.
- Stellen Sie keine Flammen (brennende Kerze, Zigarette usw.) oder Wärmequellen (Bügeleisen, Herd, Ofen usw.) auf oder in die Nähe des Geräts. Stellen Sie keine brennbaren/explosiven Materialien in der Nähe des Geräts ab...
- Steigen Sie nicht auf das Gerät. Sturz- und Verletzungsgefahr!
- Beschädigen Sie die Leitungen des Kühlsystems nicht mit scharfen und stechenden Werkzeugen. Das Kältemittel, das beim Durchstechen der Gasrohre, der Rohrverlängerun-

gen oder der oberen Oberflächenbeschichtungen austritt, kann zu Hautreizungen und Verletzungen der Augen führen.

- Nicht in den Kühlmittelkreislauf eingreifen oder diesen beschädigen Explosionsgefahr.
- Stellen Sie keine elektrischen Geräte im Inneren des Kühl-/Gefrierschranks auf und betreiben Sie sie nicht, es sei denn, dies wird vom Hersteller empfohlen.
- Wenden Sie keine anderen als die vom Hersteller empfohlenen Verfahren an, um das Abtauen zu beschleunigen.
- Achten Sie darauf, dass Sie Ihre Hände oder Ihren Körper nicht mit den beweglichen Teilen im Inneren des Geräts in Berührung bringen. Achten Sie darauf, dass Ihre Finger nicht zwischen Kühlschrank und Tür eingeklemmt werden. Seien Sie vorsichtig beim Öffnen und Schließen der Tür, wenn Kinder in der Nähe sind.
- Nehmen Sie Eis, Eiswürfel oder gefrorene Lebensmittel nicht sofort in den Mund, wenn Sie sie aus dem Gefrierschrank nehmen. Frostbeulenrisiko!
- Berühren Sie die Innenwände, die Metallteile des Gefrierschranks oder die im Gefrierschrank aufbewahrten Lebensmittel nicht mit nassen Händen. Frostbeulenrisiko!
- Stellen Sie keine Getränkedosen oder Dosen und Flaschen, die Flüssigkeiten enthalten, die gefrieren können, in das Gefrierfach. Dosen oder Flaschen können explodieren. Verletzungsgefahr und Gefahr von Sachschäden!
- Verwenden oder lagern Sie keine temperaturempfindlichen Materialien wie brennbare Sprays, brennbare Gegenstände, Trockeneis oder andere chemische Stoffe in der Nähe des Kühlschranks. Brand- und Explosionsgefahr!
- Bewahren Sie keine explosiven Materialien wie Spraydosen mit brennbaren Stoffen im Inneren des Geräts auf.
- Stellen Sie Dosen, die Flüssigkeiten enthalten, nicht im offenen Zustand auf das Produkt. Wenn Wasser auf ein elektrisches Teil spritzt, besteht die Gefahr eines elektrischen Schlags oder eines Brands.
- Bewahren Sie keine Glasbehälter mit Flüssigkeit im Gefrierfach auf, da sie zerbrechen können.
- Dieses Produkt ist nicht für die Lagerung und Kühlung von Arzneimitteln, Blutplasma, La-

borpräparaten oder ähnlichen Materialien und Produkten vorgesehen, die unter die Medizinprodukte-Richtlinie fallen.

- Wenn das Produkt nicht bestimmungsgemäß verwendet wird, kann es zu einer Beschädigung oder Beeinträchtigung der darin gelagerten Produkte kommen.
- Wenn Ihr Kühlschrank mit blauem Licht ausgestattet ist, dürfen Sie nicht mit optischen Geräten in dieses Licht blicken. Schauen Sie nicht über einen längeren Zeitraum direkt in das UV-LED-Licht. Ultraviolette Strahlen können die Augen überanstrengen.
- Befüllen Sie das Produkt nicht mit mehr Inhalt als es aufnehmen kann. Wenden Sie keine anderen als die vom Hersteller empfohlenen Verfahren an, um das Abtauen zu beschleunigen. Es kann zu Verletzungen oder Schäden kommen, wenn der Inhalt des Kühlschranks beim Öffnen der Tür herunterfällt. Ähnliche Probleme können auch auftreten, wenn ein Gegenstand auf das Gerät gestellt wird.
- Vergewissern Sie sich, dass Sie jegliches Eis oder Wasser, das auf den Boden gefallen

sein könnte, entfernt haben, um Verletzungen zu vermeiden.

- Ändern Sie die Position der Ablagen/Flaschenablagen an der Tür Ihres Kühlschranks nur, wenn die Ablagen leer sind. Es besteht Verletzungsgefahr!
- Stellen Sie keine Gegenstände auf das Produkt, die herunterfallen/umkippen können. Diese Gegenstände können beim Öffnen oder Schließen der Tür herunterfallen und Verletzungen und/oder Sachschäden verursachen.
- Schlagen Sie nicht auf Glasflächen und üben Sie keinen übermäßigen Druck darauf aus. Zerbrochenes Glas kann zu Verletzungen und/oder Sachschäden führen.
- Bei Geräten, deren Design den Einsatz eines Luftfilters vorsieht, der sich innerhalb einer zugänglichen Gebläseabdeckung befindet, muss stets ein Filter eingesetzt sein, wenn das Gerät in Betrieb ist.
- Das Gebläse (soweit zutreffend) darf nicht mit Kühlgut verstellt werden.
- Beschädigte Dichtungsringe müssen so schnell wie möglich ausgetauscht werden.

- Ihr Gerät verfügt gegebenenfalls für Spezialfächer (Fach für frische Lebensmittel, Null-Grad-Fach usw.). Sofern in der betreffenden Bedienungsanleitung für das Gerät nicht anders angegeben können diese Fächer entfernt werden, ohne dass dies die allgemeine Funktion des Geräts beeinträchtigt.
 - Das Kühlsystem in Ihrem Produkt enthält das Kältemittel R600a. Der im Produkt verwendete Kältemitteltyp ist auf dem Typenschild angegeben. Das Gas ist entflammbar. Achten Sie deshalb beim Betrieb des Produkts darauf, dass das Kühlsystem und die Leitungen nicht beschädigt werden. Im Falle einer Beschädigung der Rohre;
 1. Berühren Sie nicht das Produkt oder das Netzkabel.
 2. Halten Sie das Gerät von potenziellen Feuerquellen fern, die das Gerät in Brand setzen könnten.
 3. Belüften Sie den Bereich, in dem das Gerät aufgestellt ist. Verwenden Sie keinen Ventilator.
 4. Wenden Sie sich an den autorisierten Kundendienst.
- Bevor Sie alte Produkte entsorgen, die nicht mehr verwendet werden sollen:
1. Ziehen Sie den Stecker des Netzkabels aus der Steckdose.
 2. Schneiden Sie das Netzkabel ab und ziehen Sie es zusammen mit dem Stecker aus dem Gerät.
 3. Nehmen Sie die Ablagen und Schubladen nicht aus dem Gerät, um zu verhindern, dass Kinder in das Innere des Geräts gelangen können.
 4. Entfernen Sie die Türen.
 5. Bewahren Sie das Gerät so auf, dass es nicht umgestoßen werden kann.
 6. Erlauben Sie Kindern nicht, mit dem ausrangierten Produkt zu spielen.
 7. Wenn das Gerät beschädigt ist und Sie ein Gasleck feststellen, halten Sie sich bitte vom Gas fern. Gas kann Erfrigerungen verursachen, wenn es mit Ihrer Haut in Kontakt kommt.
- Entsorgen Sie das Gerät nicht, indem Sie es ins Feuer werfen. Es besteht Explosionsgefahr.
 - Wenn ein Schloss an der Tür des Geräts vorhanden ist, bewahren Sie den Schlüssel außerhalb der Reichweite von Kindern auf.

Für Produkte mit Wasserspender/Eiswürfelbereiter

- Verwenden Sie nur Trinkwasser. Füllen Sie in den Wassertank niemals mit Fruchtsaft, Milch, Sprudelgetränken, Spirituosen oder anderen, nicht für die Verwendung in einem Wasserspender geeigneten Flüssigkeiten. Dies kann Ihre Gesundheit und Sicherheit gefährden.
- Erlauben Sie Kindern nicht, mit dem Wasserspender oder dem Eiswürfelbereiter zu spielen, um Unfälle und Verletzungen zu vermeiden.
- Stecken Sie Ihre Hände, Finger oder andere Gegenstände nicht in die Öffnung des Wasserspenders, den Eiskanal oder in den Behälter der Eismaschine. Dies kann zu Verletzungen oder Sachschäden führen.
- Verwenden Sie die mit dem Produkt gelieferten Schlauchsets. Verwenden Sie keine alten Schlauchsets. Verlängern Sie die Schläuche nicht!
- Schließen Sie Ihr Produkt immer an den Kaltwasserzulauf an. Führen Sie die Installation nicht am Warmwasserzulauf durch. Der Druck für den Kaltwasserzulauf darf maximal 90 PSI (620 kPa – 6.2 bar) betra-

gen. Wenn Ihr Wasserdruck 80Psi (550 kPa – 5.5 bar) übersteigt oder einen Wassereinfluss hat, verwenden Sie ein Druckbegrenzungsventil in Ihrem Leitungsnetz. Bitten Sie einen professionellen Installateur um Hilfe, wenn Sie nicht wissen, wie Sie Ihren Wasserdruck regeln können.

- Hoher Druck kann zu Schäden an den Schlauchverbindungen führen und die Gefahr von Überschwemmungen mit sich bringen.
- Treffen Sie die erforderlichen Vorkehrungen gegen die Gefahr des Einfrierens von Schläuchen. Die Betriebstemperatur des Wassers muss mindestens 0,6°C (33°F) und höchstens 38°C (100°F) betragen. Bei rissigen/perforierten Schläuchen besteht die Gefahr einer Überschwemmung.



1.7 Sicherheit bei der Lagerung von Lebensmitteln

Bitte beachten Sie die folgenden Warnhinweise, um den Verderb von Lebensmitteln zu vermeiden:

- Wenn Sie die Türen längere Zeit offen stehen lassen, kann die Temperatur im Inneren des Geräts ansteigen.
- Reinigen Sie regelmäßig die zugänglichen Abflusssysteme, die mit den Lebensmitteln in Berührung kommen.
- Reinigen Sie Wassertanks, die 48 Stunden lang nicht benutzt wurden, und Wasserversorgungssysteme, die mehr als 5 Tage lang nicht benutzt wurden.
- Lagern Sie rohe Fleisch- und Fischprodukte in geeigneten Fächern innerhalb des Produkts. So tropft es nicht auf andere Lebensmittel und kommt nicht mit ihnen in Berührung.
- Zwei-Sterne-Gefrierfächer werden für die Lagerung von vorgefüllten Lebensmitteln, die Herstellung und Lagerung von Eis und Speiseeis verwendet.
- Ein-, Zwei- und Drei-Sterne-Fächer sind nicht zum Einfrieren frischer Lebensmittel geeignet.
- Wenn das Gefrierschrank längere Zeit nicht benutzt wurde, schalten Sie es aus, tauen Sie es ab, reinigen und trocknen Sie es, um das Gehäuse des Geräts zu schützen.
- Kontrollieren Sie, nachdem die Lebensmittel eingeräumt worden sind, ob alle Fächerklappen und insbesondere die Gefrierfachtür ordnungsgemäß geschlossen worden sind.
- Nutzen Sie das Kühlschranksfach für die Lagerung von frischen Lebensmitteln und das Gefrierfach für die Lagerung von Gefriergut, zum Einfrieren von Lebensmitteln sowie für die Herstellung von Eiswürfeln.
- Lebensmittel sollten stets in geschlossenen Verpackungen oder Gefäßen im Kühlschrank bzw. in den Gefrierfächern aufbewahrt werden, um jeden direkten Kontakt mit den Oberflächen im Geräteinnern zu verhindern.



1.8 Wartungs- und Reinigungssicherheit

- Ziehen Sie den Netzstecker oder schalten Sie die Sicherung aus, bevor Sie das Gerät reinigen oder Wartungsarbeiten durchführen.
- Ziehen Sie nicht an der Tür oder am Türgriff, wenn Sie das Gerät zu Reinigungszwecken bewegen wollen. Die Tür kann Verletzungen verursachen, wenn Sie zu fest am Griff ziehen.

- Stellen Sie keine Hände, Füße oder Metallgegenstände unter oder hinter Ihr Gerät. Es kann zu einem Einklemmen kommen oder scharfe Kanten können Verletzungen verursachen.
- Waschen Sie das Produkt weder innen noch außen mit einem Hochdruckreiniger, Dampf, Spritzwasser oder Gießwasser. Es besteht Stromschlag- und Brandgefahr.
- Verwenden Sie zum Reinigen des Produkts keine scharfen und scheuernden Werkzeuge oder Haushaltsreiniger, Waschmittel, Gas, Benzin, Verdüner, Alkohol, Lacke und ähnliche Substanzen. Verwenden Sie nur Reinigungs- und Pflegemittel, die für die Lebensmittel im Inneren des Geräts unschädlich sind.
- Verwenden Sie kein Küchenpapier, keine Reinigungsschwämme oder sonstige harte Reinigungsmaterialien.
- Verwenden Sie zur Reinigung des Geräts und zum Auftauen des Eises im Inneren niemals Dampf oder dampfhaltige Reinigungsmittel. Dampf kommt mit den stromführenden Teilen Ihres Kühlschranks in Berührung und kann einen Kurzschluss oder Stromschlag verursachen.
- Verwenden Sie keine mechanischen Werkzeuge oder andere Werkzeuge als die Empfehlungen des Herstellers, um den Auftauvorgang zu beschleunigen.
- Achten Sie darauf, dass Wasser nicht in die Nähe der Lüftungsöffnungen, der elektronischen Schaltkreise oder der Beleuchtung des Geräts gelangt. Andernfalls besteht die Gefahr eines Brands oder Stromschlags.
- Verwenden Sie ein sauberes, trockenes Tuch, um Staub oder Fremdkörper an den Steckerspitzen abzuwischen. Verwenden Sie kein nasses oder feuchtes Tuch, um den Stecker zu reinigen. Andernfalls besteht die Gefahr eines Brands oder Stromschlags.



1.9 Beleuchtung

Wenden Sie sich an einen autorisierten Kundendienst, wenn Sie die LED / Glühbirne für die Beleuchtung ersetzen müssen.



1.10 Entsorgung des alten Produkts

Befolgen Sie bei der Entsorgung Ihres alten Produkts die nachstehenden Anweisungen:

- Um zu verhindern, dass sich Kinder versehentlich im Gerät einschließen, deaktivieren Sie die Türverriegelung, falls sie vorhanden ist.
- Spritzer von Kühlmittel sind schädlich für die Augen. Beschädigen Sie beim Entsorgen des Geräts keine Teile des Kühlsystems.

- Es kann tödlich sein, wenn das Kompressoröl verschluckt wird oder in die Atemwege eindringt.
- Das Kühlsystem Ihres Produkts enthält R600a-Gas, wie auf dem Typenschild angegeben. Das Gas ist entflammbar. Entsorgen Sie das Gerät nicht, indem Sie es ins Feuer werfen. Es besteht Explosionsgefahr!
- C-Pentan wird als Treibmittel in Isolierschaum verwendet und ist ein brennbarer Stoff. Entsorgen Sie das Gerät nicht, indem Sie es ins Feuer werfen.

DE

2 Umwelthinweise

2.1 Informationen zur Entsorgung:

Einhaltung der EEAG-Richtlinie und Entsorgung des Altgeräts:



Dieses Produkt entspricht der EEAG-Richtlinie (2012/19/EU). Dieses Produkt trägt das Klassifizierungssymbol für Elektro- und Elektronik-Altgeräte (EEAG).

Dieses Symbol gibt an, dass dieses Produkt am Ende seiner Lebensdauer nicht zusammen mit dem normalen Hausmüll entsorgt werden darf. Das gebrauchte Gerät muss zur Wiederverwertung von elektrischen und elektronischen Geräten an die offizielle Sammelstelle zurückgegeben werden. Um diese Sammelsysteme zu finden, wenden Sie sich bitte an Ihre örtlichen Behörden oder Händler, bei denen das Produkt gekauft wurde. Jedes Haushalt spielt eine wichtige Rolle bei der Rückgewinnung und dem Recycling von Altgeräten. Eine ordnungsgemäße Entsorgung gebrauchter Ge-

räte trägt dazu bei, mögliche negative Folgen für die Umwelt und die menschliche Gesundheit zu vermeiden.

Einhaltung der RoHS-Richtlinie:

Das von Ihnen gekaufte Gerät entspricht der RoHS-Richtlinie der EU (2011/65/EU). Es enthält keinerlei Materialien, die gemäß der Richtlinie als schädlich oder verboten gelten.



Information zur Verpackung

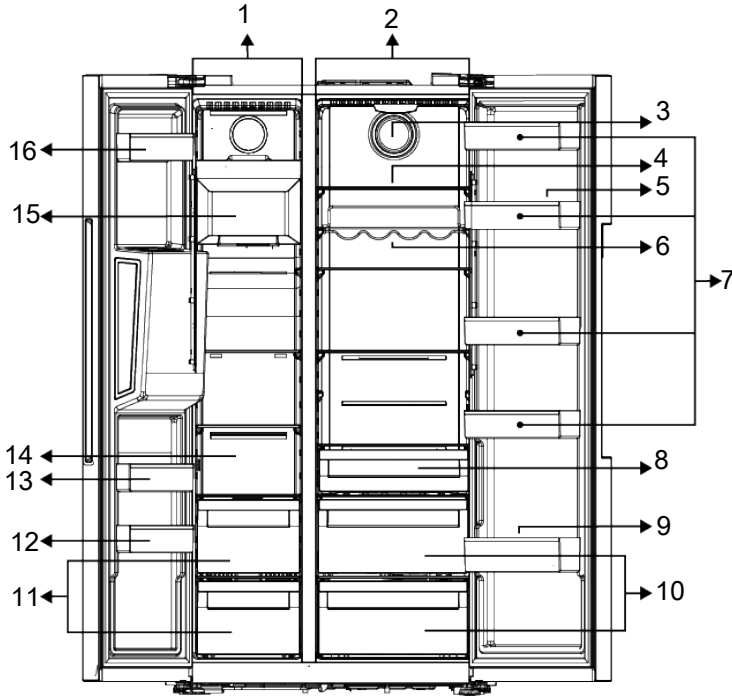
Das Verpackungsmaterial für dieses Erzeugnis wurde aus Recyclingstoffen gemäß unseren nationalen Umweltschutzvorschriften hergestellt. Entsorgen Sie das Verpackungsmaterial nicht mit dem Hausmüll oder anderen Abfällen. Bringen Sie es zu einer von den örtlichen Behörden eingerichteten Sammelstelle für Verpackungsmaterial.

**CE Konformität mit Normen und
Prüfgrundlagen / EG-Konformitäts-
erklärung**

Entwicklung, Herstellung und Vertrieb dieses Produkts entsprechen den Sicherheitsvorschriften aller einschlägigen Richtlinien der Europäischen Gemeinschaft. 2014/35/EU, 2014/30/EU, 93/68/EG, IEC 60436/DIN 44990, EN 50242

3 Ihr Kühlschrank

DE



1 Gefrierfach

3 Lüfter

5 Eierhalter

7 *Türeinschübe im Kühlfach

9 *Flaschenablage

11 Tiefkühlfächer

13 *Türeinschübe im Gefrierfach

15 *Eismaschine

2 Kühlfach

4 *Glaszwischenboden für Kühlfachs

6 *Flaschenablage

8 *Milchbehälter (Kühlagerung)

10 *Gemüsefächer

12 *Türeinschübe im Gefrierfach

14 Tiefkühlfächer und Glasregale

16 *Türeinschübe im Gefrierfach

***Optional:** Die Abbildungen in dieser Bedienungsanleitung sind schematisch und stimmen möglicherweise nicht genau mit Ihrem

Produkt überein. Wenn Ihr Produkt nicht die relevanten Teile enthält, beziehen sich die Informationen auf andere Modelle.

4 Aufstellung

Richtiger Ort für die Installation

Lesen Sie zuerst die „Sicherheitshinweise“. Wenden Sie sich für die Montage des Geräts an den autorisierten Kundendienst. Um das Gerät für die Installation vorzubereiten,

lesen Sie die Informationen in der Bedienungsanleitung und stellen Sie sicher, dass die Strom- und Wasserleitungen den Anforderungen entsprechen. Wenn dies nicht der

Fall ist, wenden Sie sich an einen Elektriker und einen Monteur, um die Versorgungsleitungen entsprechend zu installieren.

- Ein beschädigtes Kabel darf nur vom autorisierten Kundendienst ausgetauscht werden.
- Wenn Sie zwei Kühlschränke nebeneinander aufstellen, müssen Sie einen Mindestabstand von wenigstens 4 cm zwischen beiden Geräten einhalten.
- Das Gerät ist vor direkter Sonneneinstrahlung und Hitze geschützt an einem trockenen Ort aufzustellen.
- Der Abstand zwischen dem Produkt und den Seitenwänden sollte 3 mm und der Abstand zwischen dem Produkt und der Rückwand 35 mm betragen. (ElegantFit)
- Sollte die Eingangsöffnung am Aufstellungsort zu schmal für das Gerät sein, bauen Sie die Gerätetür ab und drehen Sie das Gerät auf die Seite. Wenden Sie sich an den zuständigen Kundendienst, wenn sich das Problem so nicht lösen lässt.
- Stellen Sie das Gerät auf eine ebene Fläche, um Vibrationen zu vermeiden.
- Stellen Sie das Produkt mindestens 30 cm von Heizung, Herd und ähnlichen Wärmequellen und mindestens 5 cm von Elektroöfen entfernt auf.
- Setzen Sie das Produkt keinem direkten Sonnenlicht aus und bewahren Sie es nicht in feuchten Umgebungen auf.
- Öffnen Sie vor dem Transport oder der Verwendung niemals die Abdeckung der Steuerplatine des Geräts. Es besteht Stromschlag- und Brandgefahr.
- Unser Unternehmen übernimmt keine Haftung für alle Schäden aufgrund einer Nutzung ohne Erdung oder eines Stromanschlusses, der nicht den örtlichen Vorschriften genügt.
- Das Netzkabel muss nach der Aufstellung gut zugänglich sein.

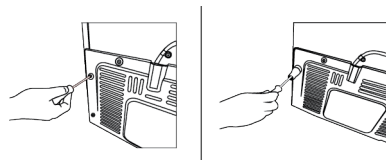
Warnung vor heißer Oberfläche!

Die Seitenwände Ihres Produkts sind mit Kühlerrohren ausgestattet, um das Kühlsystem zu verbessern. Hochdruckflüssigkeit kann durch diese Oberflächen fließen und heiße Oberflächen an den Seitenwänden verursachen. Dies ist normal und erfordert keine Wartung. Seien Sie vorsichtig, wenn Sie diese Bereiche kontaktieren.

Anbringen der Kunststoffkeile

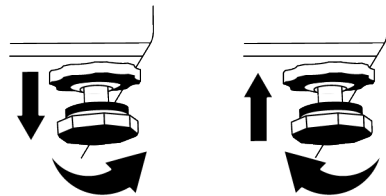
Verwenden Sie die mit dem Gerät gelieferten Kunststoffkeile, um ausreichend Platz für die Luftzirkulation zwischen dem Gerät und der Wand zu schaffen.

- Entfernen Sie die Schrauben an den jeweiligen Gerätestellen und montieren die mit den Kunststoffkeilen gelieferten Schrauben.
- Befestigen Sie 2 Kunststoffkeile an der Lüftungsabdeckung, so wie in der Abbildung dargestellt.



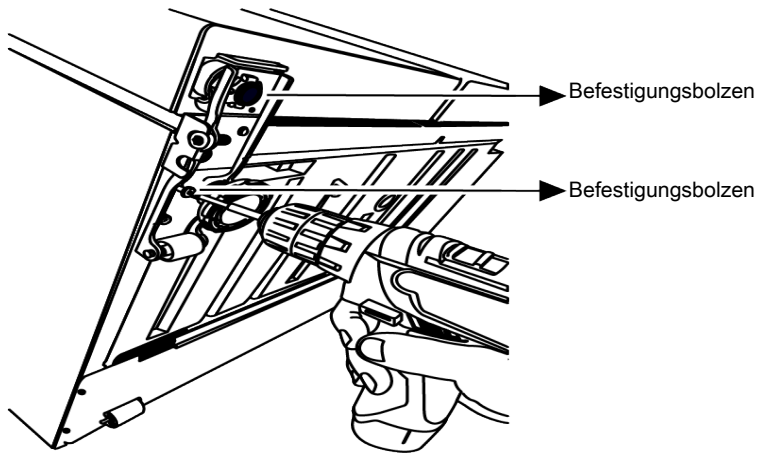
Einstellen der Füße

Wenn das Gerät nicht in einer ausbalancierten Position befinden sollte, richten Sie es entsprechend auf, indem Sie die Stellfüße entweder rechts- oder links herum drehen.



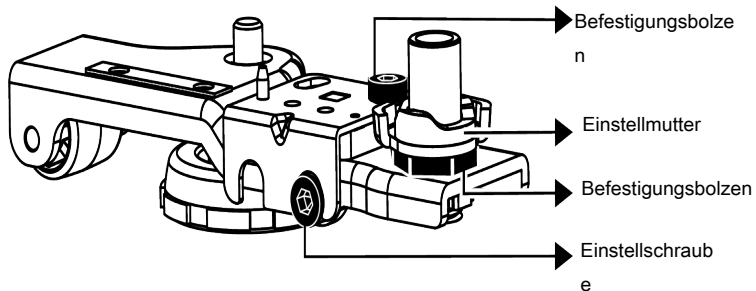
So stellen Sie die Türen vertikal ein,

Lösen Sie die Befestigungsmutter an der Unterseite. Einstellmutter (CW/CCW) entsprechend der Position der Tür einschrauben. Ziehen Sie die zur Befestigung dienende Mutternschraube für die Endposition an.



Zum horizontalen Einstellen der Türen,
Lösen Sie die Befestigungsschraube an der Unterseite. Lösen Sie die Befestigungsmutter an der Oberseite. Die Einstellschraube

(CW/CCW) ist entsprechend der Position der Tür einzuschrauben. Ziehen Sie die Befestigungsmutter für die Endposition an. Ziehen Sie die Befestigungsschraube an der Unterseite an.



5 Vorbereitung

Lesen Sie zuerst die „Sicherheitshinweise“.

5.1 Was man zum Energiesparen tun kann

- Wenn Lebensmittel in das Gerät gelegt werden, muss auf ausreichend Abstand im Geräteinnenraum geachtet werden, um die für die Kühlung erforderliche Luftzirkulation nicht zu behindern.
- Da heiße und feuchte Luft nicht direkt in Ihr Produkt eindringt, wenn die Türen nicht geöffnet werden, optimiert sich Ihr Produkt unter Bedingungen, die zum Schutz Ihrer Lebensmittel ausreichen. Unter diesen Umständen arbeiten Funktionen und Komponenten wie Kompressor, Lüfter, Heizung, Abtauung, Beleuchtung, Display usw. bedarfsgerecht und mit minimalem Energieverbrauch.
- Falls mehrere Optionen vorhanden sind, müssen Glasböden so platziert werden, dass die Luftauslässe an der Rückwand nicht blockiert werden und vorzugsweise so, dass die Luftauslässe unterhalb des Glasbodens bleiben. Diese Kombination kann dazu beitragen, die Luftverteilung und die Energieeffizienz zu verbessern.
- Es wird dringend empfohlen, bei der Lagerung die untere Schublade zu verwenden.
- Für eine optimale Leistung kann die Schnellgefrierfunktion (sofern verfügbar) in den 24 Stunden eingestellt werden, bevor Sie frische Lebensmittel in das Gefrierfach räumen.
- In den meisten Fällen reichen 24 Stunden für die Schnellgefrierfunktion, nachdem frische Lebensmittel in das Gefrierfach gelegt wurden. Nach einiger Zeit deaktiviert sich die Schnellgefrierfunktion automatisch.
- Wenn nur eine geringe Menge frischer Lebensmittel eingefroren werden, kann die Schnellgefrierfunktion nach kurzer Zeit ausgeschaltet werden, um Energie zu sparen.
- Lebensmittel sind in den Schubladen im Kühlfach aufzubewahren, um Energie zu sparen und Lebensmittel unter besseren Bedingungen zu schützen.

5.2 Erste Verwendung

Bevor Sie das Gerät das erste Mal verwenden, achten Sie darauf, alle Vorbereitungen gemäß dieser Bedienungsanleitung, insbesondere wie in den Abschnitten „Wichtige Hinweise zur Sicherheit“ und „Aufstellung“ beschrieben, durchzuführen.

- Für eine einwandfreie Funktion des Kühlmittelkreislaufs warten Sie bitte mindestens zwei Stunden, bevor Sie das Gerät in Betrieb nehmen.
- Lassen Sie das leere Gerät mindestens 6 Stunden lang laufen. In dieser Zeit sollte die Gerätetür, nur geöffnet werden, wann die absolut notwendig ist.
- Die Temperaturänderung, die durch das Öffnen und Schließen der Tür während der Verwendung des Produkts verursacht wird, kann normalerweise zu Kondenswasserbildung führen, die auf Tür-/Korpusregalen und Glaswaren in das Produkt gestellt werden.
- Wenn der Kompressor sich einschaltet, ist ein Geräusch zu hören. Es ist normal, dass das Produkt Geräusche macht, auch wenn der Kompressor nicht läuft, da im Kühlsystem Flüssigkeit und Gas komprimiert werden können.
- Es ist normal, dass die vorderen Ränder des Geräts warm sind. Diese sind so gestaltet, dass sie erwärmen, um Kondensation zu vermeiden.
- Bei einigen Modellen schaltet sich die Anzeigetafel 1 Minuten nach dem Schließen der Tür automatisch aus. Sie wird wieder aktiviert, wenn die Tür offen ist oder eine beliebige Taste gedrückt wird.

5.3 Klimaklasse und Definitionen

Bitte beachten Sie die Klimaklasse auf dem Typenschild Ihres Geräts. Je nach Klimaklasse ist eine der folgenden Informationen auf Ihr Gerät anwendbar.

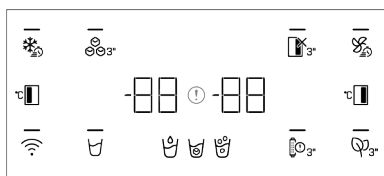
- **SN** Langfristig gemäßigtes Klima: Dieses Kühlgerät ist für den Einsatz bei Umgebungstemperaturen zwischen 10 °C und 32 °C ausgelegt.
- **N:** Gemäßigtes Klima: Dieses Kühlgerät ist für den Einsatz bei Umgebungstemperaturen zwischen 16°C und 32 °C ausgelegt.
- **ST:** Subtropisches Klima: Dieses Kühlgerät ist für den Einsatz bei Umgebungstemperaturen zwischen 16°C und 38°C ausgelegt.
- **T:** Tropisches Klima: Dieses Kühlgerät ist für den Einsatz bei Umgebungstemperaturen zwischen 16°C und 43°C ausgelegt.

6 Produktbedienung

Lesen Sie zuerst die „Sicherheitshinweise“.

- Das Gerät darf nur zur Aufbewahrung von Lebensmitteln verwendet werden.
- Schalten Sie das Wasserventil aus, wenn Sie nicht zu Hause sind (z.B. im Urlaub) und die Eismaschine oder den Wasserspender längere Zeit nicht benutzen. Andernfalls können Wasserlecks auftreten.

7 Bedienfeld des Geräts



Lesen Sie zuerst die „Sicherheitshinweise“. Die auditiven und visuellen Funktionen der Anzeigetafel erleichtert Ihnen die Nutzung des Kühlschranks.

*Optional: Die angezeigten Funktionen sind optional, es können Form- und Lageunterschiede bei den Funktionen auf der Anzeige Ihres Geräts auftreten.

Schnellgefrieraste

Wenn die Schnellgefrieraste gedrückt wird, leuchtet die LED auf der Taste und die Schnellgefrierfunktion wird aktiviert. Die Temperatur des Gefrierfachs ist auf -27 Grad Celsius eingestellt. Drücken Sie erneut auf die Taste, um die Funktion abubrechen. Die Schnellgefrierfunktion wird automatisch aufgehoben. Um eine große Menge an frischen Lebensmitteln einzufrieren, drücken Sie die Schnellgefrieraste, bevor Sie die Lebensmittel in das Gefrierfach legen.

Ausstecken des Produkts

- Entfernen Sie die Lebensmittel, um Gerüche zu vermeiden.
- Warten Sie, bis das Eis geschmolzen ist, reinigen Sie den Innenraum und lassen Sie ihn trocknen; lassen Sie die Türen offen, um eine Beschädigung der inneren Kunststoffteile zu vermeiden.

Icematic Ein-/Aus-Taste

Wenn Sie diese Taste 3 Sekunden lang drücken, wird der Eisbereitungsvorgang aktiviert und die LED auf der Taste leuchtet. Durch erneutes Drücken der Taste für 3 Sekunden wird der Eisbereitungsvorgang abgebrochen und die zuvor hergestellten Eiskwürfel können verwendet werden, obwohl die Funktion abgebrochen wird.

Fehlerzustandsanzeige

Diese Anzeige muss aktiv sein, wenn Ihr Kühlschrank keine ausreichende Kühlung durchführen kann oder wenn ein Sensorfehler vorliegt. Auf der Temperaturanzeige des Gefrierfachs wird "E" angezeigt und auf der Temperaturanzeige des Kühlfachs werden Zahlen wie 1, 2, 3 ... angezeigt.

Diese Zahlen geben dem autorisierten Dienst Auskunft über den aufgetretenen Fehler.

Das Ausrufezeichen kann angezeigt werden, wenn Sie warme Lebensmittel in das Gefrierfach laden oder die Tür längere Zeit offen halten. Dies ist kein Fehler. Diese Warnung wird erlöschen, wenn die Lebensmittel abgekühlt sind oder wenn eine Taste gedrückt wird.

Funktionstaste Kühlfach Aus (Urlaub)



Um die Urlaubsfunktion zu aktivieren, drücken Sie die Taste für 3 Sekunden. Der Urlaubsmodus wird aktiviert und die LED der Taste leuchtet auf. Auf der Temperaturanzeige des Kühlfachs muss „-“ angezeigt werden, und der Kühlfach führt keine aktive Kühlung durch. Wenn Sie diese Funktion aktivieren, sollten Sie Ihre Lebensmittel nicht im Kühlfach aufbewahren. Die anderen Fächer kühlen entsprechend der zuvor eingestellten Temperaturen weiter. Drücken und halten Sie die Taste erneut 3 Sekunden lang, um diese Funktion abzubrechen.

Schnellkühltaste

Wenn Sie die Schnellkühltaste drücken, leuchtet die LED auf der Taste und die Schnellkühlfunktion soll aktiviert werden. Die Temperatur des Kühlfachs ist auf 1 Grad Celsius eingestellt. Drücken Sie erneut auf die Taste, um die Funktion abzubrechen. Die Schnellgefrierfunktion wird nach dem Abkühlen automatisch abgebrochen.

Temperatureinstellungstaste für das Kühlfach

Ermöglicht die Einstellung der Temperatur für das Kühlfach. Durch das Drücken dieser Taste wird die Einstellung der Gefrierfachtemperatur auf 8, 7, 6, 5, 4, 3, 2 und 1 Grad Celsius möglich.

Desodorierungsmodul-Schlüssel

Drücken Sie diese Taste 3 Sekunden lang, um die Desodorierungsfunktion zu aktivieren/deaktivieren. Wenn die Desodorierungsfunktion aktiv ist, leuchtet die LED der jeweiligen Taste. Wenn die Funktion aktiv ist, wird das Desodorierungsmodul periodisch betrieben.

Warnungstaste zum Filteraustausch

Der Wasserzulaufilter des Kühlschranks sollte in regelmäßigen Abständen gewechselt werden. Ihr Kühlschrank berechnet diese Zeit automatisch. Wenn die Filterlebensdauer abgelaufen ist, leuchtet die LED über der Filterwechsel-Warntaste. Halten Sie

nach dem Filterwechsel die Taste 3 Sekunden lang gedrückt, um die Warn-LED für den Filterwechsel auszuschalten.

Wasser, Eiswürfel, gebrochenes Eis-

Auswahlstaste

Mit dieser Taste können Sie zwischen Wasser, Eiswürfel und gebrochenes Eis-Auswahl wechseln. Wenn Sie die Funktion aktivieren, bleibt das Licht auf der Taste an.

Kabellose Taste

Dieser Schlüssel wird verwendet um über die mobile HomeWhiz-App eine drahtlose Verbindung mit Ihrem Produkt herzustellen.

Wenn Sie die Taste 3 Sekunden lang drücken, blinkt die LED auf der Taste langsam (in Abständen von 0,5 Sekunden). Das Heimnetzwerk wird auf diese Weise auf dem Produkt initialisiert.

Nachdem die drahtlose Verbindung mit dem Produkt hergestellt wurde, leuchtet die LED auf der Taste kontinuierlich.

Wenn die erste Verbindung hergestellt ist, können Sie die Verbindung durch kurzes Drücken dieser Taste aktivieren/deaktivieren. Die LED auf der Taste blinkt schnell (in Abständen 0,2 Sekunden), bis Ihr Gerät angeschlossen ist. Wenn die Verbindung aktiv ist, leuchtet die LED.

Wenn die Verbindung über einen längeren Zeitraum nicht hergestellt werden kann, überprüfen Sie Ihre Verbindungseinstellungen und lesen Sie den Abschnitt „Fehlerbehebung“ im Bedienungsanleitung.

Die HomeWhiz-Anwendung wird für die drahtlose Verbindung verwendet werden. Die Installationsschritte werden in der Anwendung während der Installation beschrieben. Sie können auf die Anwendung zugreifen, indem Sie den QR-Code lesen, der auf dem HomeWhiz-Etikett des Produkts verfügbar ist. Die Anwendung wird über den App Store für iOS-Geräte und über den Play Store für Android-Geräte angeboten.

Besuchen Sie die Adresse <https://www.homewhiz.com/> für detaillierte Informationen.

Temperatureinstellungstaste für das Gefrierfach

Die Temperatureinstellung erfolgt für das Gefrierfach. Durch das Drücken dieser Taste wird die Einstellung der Gefrierfachtemperatur auf -16, -17, -18, -19, -20, -21, -22 Grad Celsius möglich.

WARNHINWEIS



Die Temperatur kann für das Kühlfach auf Werte zwischen 1°C und 8°C sowie für das Gefrierfach auf Werte zwischen -24°C und -15°C eingestellt werden. Die einstellbaren Temperaturwerte können variieren, sofern sie innerhalb der spezifischen Temperaturbereiche für das Gerät liegen.

DE

8 Verwendung des Geräts

8.1 Aufbewahrung von Lebensmitteln im Gefrier- und Kühlfach

Lagerung von Lebensmitteln im Gefrierfach

- Sie können die Schnellgefrierfunktion 4-6 Stunden vor dem Einfrieren aktivieren und eine schnellere Abkühlung vornehmen.
- Bringen Sie warme Speisen auf Raumtemperatur, bevor Sie sie in das Gefrierfach legen.
- Lebensmittel, die eingefroren werden sollen, müssen entsprechend der zu verzehrenden Größe in Portionen aufgeteilt und in separaten Verpackungen eingefroren werden.
- Es wird empfohlen, die Lebensmittel zu verpacken, bevor sie in den Gefrierschrank gelegt werden.
- Um zu verhindern, dass die Lagerzeit abläuft, schreiben Sie das Einfrierdatum, die Uhrzeit und den Namen des Produkts auf die Verpackung, entsprechend der Lagerzeit der verschiedenen Lebensmittel.
- Verbrauchen Sie die aufgetauten Lebensmittel schnell. Aufgetaute Lebensmittel können nicht wieder eingefroren werden, es sei denn, sie werden gekocht. Es ist nicht sicher, die wieder eingefrorenen frischen Lebensmittel nach dem Auftauen ohne Kochen zu verzehren.
- Bringen Sie beim Einfrieren frischer Lebensmittel diese nicht mit bereits gefrorenen Lebensmitteln in Kontakt. Andernfalls werden die gefrorenen Lebensmittel aufgetaut.

Aufbewahrung der Lebensmittel, die tiefgekühlt verkauft werden

- Halten Sie sich bei der Lagerung von Lebensmitteln an die in diesen Anweisungen angegebenen Zeiträume.
- Um die Qualität der Lebensmittel zu schützen, sollten Sie die Zeitspanne zwischen Kauf und Lagerung so kurz wie möglich halten.
- Kaufen Sie Tiefkühlkost, die bei -18 °C oder niedrigeren Temperaturen gelagert wird.
- Vermeiden Sie den Kauf von Lebensmitteln, deren Verpackungen mit Eis usw. bedeckt sind. Dies bedeutet, dass das Produkt teilweise aufgetaut und wieder eingefroren werden könnte. Die Temperatur wirkt sich auf die Qualität der Lebensmittel aus.
- Überschreiten Sie nicht die vom Lebensmittelhersteller empfohlene Lagerzeit. Nehmen Sie nur so viele Lebensmittel aus dem Gefrierschrank, wie Sie benötigen.
- Abgesehen von den Fällen, in denen in der Umgebung extreme Bedingungen herrschen, bleiben die Lebensmittel sowohl im Frischfach als auch im Gefrierfach länger frisch, wenn Sie Ihr Produkt (auf der Tabelle der empfohlenen Werte) auf die angegebenen Werte einstellen.
- Wenn das Frischhaltefach auf eine niedrigere Temperatur eingestellt ist, kann frisches Obst und Gemüse teilweise gefroren sein.

Schnelleinfrieren

1. Aktivieren Sie die Schnellgefrierfunktion 24 Stunden vor dem Einlegen Ihrer frischen Lebensmittel.
2. Legen Sie die Lebensmittel, die Sie einfrieren möchten, 24 Stunden nach dem Drücken der Taste in das dritte oder vierte Regal mit höherer Gefrierkapazität.
3. Die einmal aktivierte Schnellgefrierfunktion schaltet sich nach einer gewissen Zeit automatisch ab.

Gefrierschrank Details

Gemäß den IEC 62552-Standards muss das Gefrierschrank über eine Kapazität zum Einfrieren von 4,5 kg an Lebensmitteln bei Temperaturen von -18°C oder niedriger von 25°C in 24 Stunden pro jeweils 100 Liter an Gefrierfachvolumen verfügen.

Lebensmittel können über eine längere Zeit hinweg nur bei Temperaturen von weniger als -18 °C gelagert werden.

Sie können die Lebensmittel über Monate frisch halten (im Gefrierschrank bei Temperaturen von oder niedriger als -18 °C Grad). Die einzufrierenden Lebensmittel dürfen nicht mit bereits tiefgekühlten Produkten in Berührung kommen, um ein teilweises Auftauen zu verhindern.

Blanchieren Sie das Gemüse und gießen Sie das Wasser ab, um die Lagerzeit bei Tiefkühlung zu verlängern. Legen Sie das Gefriergut nach dem Abgießen in luftdichte Verpackungen und dann in das Gefrierschrank. Bananen, Tomaten, Salat, Sellerie, gekochte Eier, Kartoffeln und vergleichbare Lebensmittel dürfen nicht eingepackt werden. Wenn diese Lebensmittel eingefroren werden, werden nur der Nährwert und die Verzehreigenschaften beeinträchtigt. Eine Verrottung, die die menschliche Gesundheit bedroht, kommt nicht in Frage.

Platzierung der Lebensmittel

Regale im Gefrierfach: Verschiedene Tiefkühlkost wie Fleisch, Fisch, Eiscreme, Gemüse usw.

Regale im Kühlfach: Lebensmittel in Töpfen, Behältern mit Deckeln und Verschlusskappen, sowie Eier (geschlossenen Gefäßen)

Kühlfachtürregale: Kleine und verpackte Lebensmittel oder Getränke

Gemüsefach: Gemüse und Obst

Fach für frische Lebensmittel: Feinkostprodukte (Frühstücksprodukte, Fleischprodukte, die in kurzer Zeit verzehrt werden)

Aufbewahrung von Lebensmitteln im Kühlfach

- Die Temperatur des Fachs steigt stark an, wenn die Fachtür häufig geöffnet und geschlossen wird und lange Zeit offen bleibt; dies kann die Lebensdauer der Lebensmittel verkürzen und zum Verderben der Lebensmittel führen.
- Um Geruchs- und Geschmacksveränderungen zu vermeiden, sollten die Lebensmittel in geschlossenen Behältern aufbewahrt werden.
- Lagern Sie nicht zu viele Lebensmittel in Ihrem Kühlschranks. Um eine bessere und gleichmäßige Kühlung zu erreichen, legen Sie die Lebensmittel getrennt voneinander so ein, dass die kalte Luft durch sie hindurchströmen kann.
- Sorgen Sie für Luftzirkulation, indem Sie einen Zwischenraum zwischen den Lebensmitteln und der Innenwand lassen. Wenn Sie die Lebensmittel an die Rückwand lehnen, können sie einfrieren.
- Bringen Sie gekochte warme Speisen auf Zimmertemperatur, bevor Sie diese in den Kühlschranks stellen. Dann können Sie die lauwarmen Speisen in die unteren Fächer des Kühlschranks stellen. Stellen Sie die lauwarmen Speisen nicht in die Nähe von Lebensmitteln, die leicht verderben können.
- Tauen Sie Ihre gefrorenen Lebensmittel im Frischhaltefach auf. Auf diese Weise können Sie das Frischhaltefach durch die Verwendung von Tiefkühlkost kühlen und Energie sparen.

- Lagern Sie unreife Südfrüchte (Mango, Melonen, Papaya, Banane, Ananas) im Kühlschrank, um den Reifeprozess zu beschleunigen. Dies ist nicht empfehlenswert, da sich dadurch die Lagerzeit verkürzt.
- Zwiebeln, Knoblauch, Ingwer und anderes Wurzelgemüse sollten Sie nicht im Kühlschrank, sondern in einem dunklen und kalten Raum aufbewahren.
- Wenn Sie feststellen, dass ein Lebensmittel im Kühlschrank verdorben ist, werfen Sie es weg und reinigen Sie das Zubehör, das mit dem Lebensmittel in Berührung gekommen ist.
- Um Speisen wie Suppen und Eintöpfe, die in großen Töpfen gekocht werden, schnell abzukühlen, können Sie sie in eigenen flachen Behältern in den Kühlschrank stellen.
- Stellen Sie unverpackte Lebensmittel nicht in die Nähe von Eiern.
- Bewahren Sie Obst und Gemüse getrennt auf und lagern Sie jede Sorte zusammen (z.B. Äpfel mit Äpfeln, Karotten mit Karotten).
- Nehmen Sie grünes Gemüse aus dem Plastikbeutel und legen Sie es in den Kühlschrank, nachdem Sie es in ein Papiertuch oder ein Trockentuch eingewickelt haben. Wenn Sie diese Art von Lebensmitteln waschen, bevor Sie sie in den Kühlschrank stellen, denken Sie daran, sie zu trocknen.
- Sie können sowohl eine feuchte Umgebung schaffen als auch für einen Luftstrom sorgen, indem Sie Obst und Gemüse, die zum Austrocknen neigen, in perforierten oder unverschlossenen Plastiktüten aufbewahren.
- Abgesehen von den Fällen, in denen in der Umgebung extreme Bedingungen herrschen, bleiben die Lebensmittel sowohl im Frischefach als auch im Gefrierfach länger frisch, wenn Sie Ihr Produkt (auf der Tabelle der empfohlenen Werte) auf die angegebenen Werte einstellen.

Lagern Sie verschiedene Lebensmittel je nach ihren Eigenschaften an unterschiedlichen Orten.

Essen	Standort
Eier	Türregal
Molkereiprodukte (Butter, Käse)	Falls verfügbar, Null-Grad-Fach (für Frühstücksnahrung)
Obst, Gemüse und Grünzeug	Obst-/Gemüsefach, Gemüse- oder EverFresh+-Fach (sofern vorhanden)
Frisches Fleisch, Geflügel, Fisch, Wurst usw. Gekochte Lebensmittel	Falls verfügbar, Null-Grad-Fach (für Frühstücksnahrung)
Servierfertige Lebensmittel, verpackte Produkte, Konserven und eingelegte Lebensmittel	Obere Regale oder Türregal
Getränke, Flaschen, Gewürze und Snacks	Türregal

Tabelle der empfohlenen Einstellwerte

Gefrierfacheinstellung	Gefrierfacheinstellung	Bemerkungen
-22°C	4°C	Das ist die standardmäßige, empfohlene Einstellung. Diese Einstellung wird empfohlen, wenn die Umgebungstemperatur unter 30°C liegt.
-22°C oder kälter	4°C	Diese Einstellungen werden für Umgebungstemperaturen empfohlen, die 30°C überschreiten.
Schnelleinfrieren	4°C	Verwenden Sie sie, wenn Sie Ihre Lebensmittel in kurzer Zeit einfrieren möchten. Nach Beendigung des Vorgangs werden die Einstellungen des Produkts auf die vorherige Position zurückgesetzt.
-18°C oder kälter	2°C	Verwenden Sie diese Einstellungen, wenn Sie überzeugt sind, dass das Frischfach, aufgrund der Umgebungstemperatur oder dem Öffnen der Tür nicht kalt genug sind.

8.2 Auswechseln der Beleuchtungslampe

Rufen Sie den autorisierten Kundendienst an, wenn die Glühbirne/LED für die Beleuchtung Ihres Kühlschranks ausgetauscht werden soll.

Die in diesem Gerät verwendeten Lampen können nicht für die Hausbeleuchtung verwendet werden. Die beabsichtigte Verwendung dieser Lampe soll dem Benutzer helfen, Lebensmittel sicher und bequem in den Kühl- / Gefrierschrank zu stellen.

8.3 Alarm bei offener Tür

Das Türöffnungswarnsystem Ihres Kühlschranks kann sich je nach Modell unterscheiden.

Version 1;

Bleibt die Tür des Geräts für eine bestimmte Zeit (zwischen 60 s und 120 s) offen, ertönt ein akustisches Warnsignal; je nach

Produktmodell kann auch ein optisches Warnsignal (Lichtblitz) angezeigt werden. Wenn Sie die Tür des Geräts schließen oder eine Taste auf dem Bildschirm des Geräts drücken (falls vorhanden), wird der Warnton beendet.


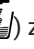
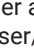
Version 2;



Wenn die Tür des Geräts für eine bestimmte Zeit (zwischen 60 s und 120 s) offen bleibt, ertönt der Türöffnungsalarm. Der Türöffnungsalarm wird schrittweise ausgelöst. Zunächst ertönt ein akustisches Warnsignal. Wenn die Tür nach 4 Minuten immer noch nicht geschlossen ist, wird eine optische Warnung (Blinklicht) aktiviert. Der Türöffnungsalarm wird für eine bestimmte Zeit (zwischen 60 s und 120 s) verzögert, wenn eine beliebige Taste auf dem Produktbildschirm gedrückt wird (falls vorhanden). Danach beginnt der Vorgang von neuem. Wenn die Gerätetür geschlossen ist, wird der Türöffnungsalarm aufgehoben.

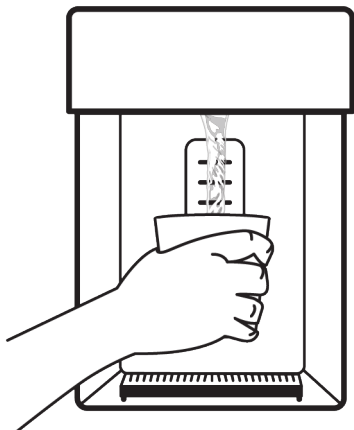
9 Produktmerkmale

9.1 Der Eisspeicherraum

Eis-/Wasserentnahme

Wählen Sie die entsprechende Option über das Display aus, um Wasser  / Eiswürfel  / gebrochenes Eis  zu entnehmen. Drücken Sie den Auslöser am Wasserspender nach vorne, um Wasser/Eis zu entnehmen. Wenn Sie zwischen den Optionen

Eiswürfel  / gebrochenes Eis  umschalten, kann bei den ersten Entnahmen die von der vorherigen Auswahl übrig gebliebene Eissorte ausgegeben werden.

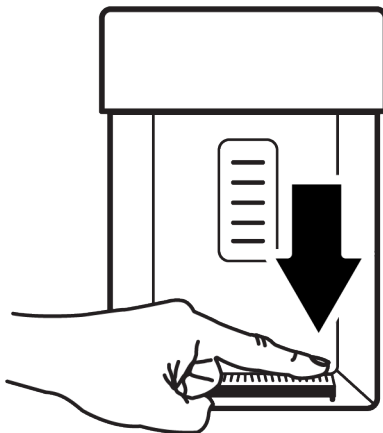


- Um zum ersten Mal Eis aus dem Eis-/Wasserspender zu entnehmen, müssen Sie etwa 12 Stunden warten. Sollte sich nicht genügend Eis im Eisbehälter befinden, können Sie kein Eis aus dem Spender entnehmen.
- Verbrauchen Sie die Eiswürfel (3-4 Liter) nicht nach dem ersten Durchlauf.
- Sollte es während des Betriebs zu einem Stromausfall oder einer vorübergehenden Störung kommen, kann das Eis ein wenig schmelzen und wieder gefrieren. In diesem Fall kann das Eis aneinander kleben bleiben. Wenn der Stromausfall oder die Störung anhält, kann das Eis schmelzen und ein Wasserleck verursachen. Wenn ein solches Problem auftritt, reinigen Sie den Eisbehälter, indem Sie das im Eisbehälter verbliebene Eis ausschütten.
- Das Wassersystem des Produkts sollte nur an die Kaltwasserleitung angeschlossen werden. Es darf nicht an die Heißwasserleitung angeschlossen werden.
- Bei der ersten Inbetriebnahme des Geräts darf kein Wasser entnommen werden. Das liegt daran, dass sich Luft im System befindet. Sie müssen die Luft im System ablassen. Drücken Sie zu diesem Zweck 1-2 Minuten lang auf den Abzug des Wasserspenders, bis Wasser aus dem Wasserspender kommt. Zu Beginn kann der Wasserfluss unregelmäßig sein. Der Wasserfluss wird sich normalisieren, nachdem die Luft im System abgelassen wurde.

- Wenn der Filter zum ersten Mal benutzt wird, kann es sein, dass verschwommenes Wasser austritt. Die ersten 10 Gläser Wasser sollten nicht getrunken werden.
- Wenn das Gerät zum ersten Mal in Betrieb genommen wird, sollten etwa 12 Stunden vergehen, bis das Wasser abgekühlt ist.
- Das Wassersystem des Geräts ist so konzipiert, dass es nur mit sauberem Wasser funktionieren kann. Verwenden Sie kein anderes Getränk als Wasser.
- Wenn Sie das Gerät über einen längeren Zeitraum nicht benutzen, z.B. wegen eines Urlaubs, empfehlen wir Ihnen, den Wasseranschluss zu unterbrechen. Wenn der Wasserspender längere Zeit nicht benutzt wird, können die ersten 1-2 Gläser Wasser heiß auslaufen.

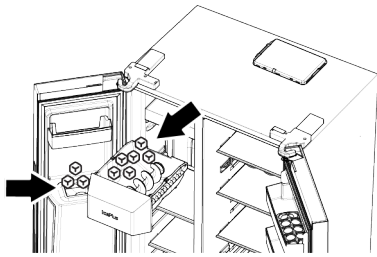
Tropfschale

Das aus dem Wasserspender tropfende Wasser sammelt sich in der Tropfschale, es gibt keinen Wasserauslauf. Sie können die Tropfschale herausnehmen, indem Sie sie zu sich heranziehen oder auf ihren Rand drücken. Sie können das Wasser in der Tropfschale auf diese Weise reinigen.



Eisbereiter

Die Eismaschine befindet sich im oberen Bereich des Gefrierschranks. Ziehen Sie den Eisbehälter zu sich, indem Sie den Griff unter dem vorderen Teil greifen, um ihn zu entfernen.



Um den Eisbehälter zu entfernen

Greifen Sie den Griff am Boden des Behälters und ziehen Sie ihn zu sich heran.

Um den Eisbehälter wieder zu montieren

Setzen Sie den Behälter in seine Aufnahme und schieben Sie ihn parallel zum Boden zurück. Bitte achten Sie darauf, dass zwischen dem Behälter und dem Fach des Eiswürfelbereiters kein Platz bleibt.

Falls Sie nicht alle Eiswürfel produziert bekommen können

Länger im Vorratsbehälter verbleibende Eiswürfel können zusammenkleben und große Eisblöcke bilden. Entfernen Sie in diesem Fall den Eisvorratsbehälter wie in der Bedienungsanleitung beschrieben, trennen Sie die Eiswürfel, entnehmen Sie die nicht trennbaren Eiswürfel und geben Sie die restlichen Würfel wieder in den Behälter. Wenn das Problem weiterhin besteht, überprüfen Sie bitte den Eiskanal, und beseitigen Sie ihn, falls er blockiert ist.

Wenn Sie die Eismaschine zum ersten Mal oder nach längerer Zeit wieder benutzen

Eiswürfel können aufgrund der Restluft im Wassersystem kleiner werden. Die Luft wird nach einiger Zeit automatisch abgelassen.

- Verwenden Sie die am ersten Tag produzierten Eiswürfel nicht, damit Sie das restliche Wasser im System auffrischen können.
- Stecken Sie Ihre Hand oder andere Gegenstände nicht in den Eiskanal und die Eiszerkleinerungsmesser, während der Kühlschrank in Betrieb ist.
- Lassen Sie Kinder nicht an der Eismaschine, dem Eisbehälter oder dem Wasserspender hängen.

- Fassen Sie den Eisbehälter mit beiden Händen fest an, damit er nicht herunterfällt.
- Wenn Sie die Tür Ihres Gerätes schnell schließen, kann das Wasser im Eiswürfelbereiter in den Eisbehälter spritzen.
- Den Eisbehälter ausbauen nur, wenn dies erforderlich ist.
- Im Falle einer Verstopfung (das Gerät lässt kein Eis fallen), während Sie gebrochenes Eis erhalten, versuchen Sie Eiswürfel zu holen.
- Dann können Sie erneut versuchen, gebrochenes Eis zu erhalten.
- Falls Sie das gebrochene Eis entnommen haben, muss das Gerät zuerst Eiswürfel produzieren. Es ist möglich, dass das Gerät Eiswürfel produziert, wenn es gebrochenes Eis erhält.
- Die Gefrier Tür der Eismaschine kann mit leichtem Reif und einer Folienschicht bedeckt sein.
- Dies ist normal und wir empfehlen Ihnen, es sofort zu reinigen.
- Nach einiger Zeit kann sich Wasser im Gitter am Boden des Wasserspenders füllen.
- Wir empfehlen Ihnen, das Wasser im Gitter regelmäßig zu entfernen.
- Es ist normal, ein Geräusch zu hören, wenn Eiswürfel aus dem Eisbehälter fallen. Dies bedeutet keine Fehlfunktion.
- Der Klingensmechanismus des Eisbehälters ist scharf und kann Ihre Hand verletzen.
- Wenn keine Eiswürfel aus dem Eisspender gelöst werden, können die Eiswürfel zusammenkleben. Sie müssen den Behälter reinigen, um weiterhin Eiswürfel zu erhalten.
- Wenn der Auslöser gedrückt wird, um Eis zu erhalten (Anzeige usw.), kann der Eisstyp nicht geändert werden. Sie sollten den Auslöser (Anzeige usw.) loslassen, den Eisstyp ändern und erneut Eis nehmen. Zu diesem Zweck können Sie erneut Eis entnehmen, nachdem Sie den Eisstyp am Indikator geändert haben.

9.2 Eierhalter

Sie können den Eierhalter auf der Tür oder auf dem Gehäuseregal platzieren, wie Sie möchten.

Wenn Sie den Eierhalter auf der Hauptablage platzieren, empfehlen wir Ihnen, die kälteren unteren Ablagen zu wählen.

- Stellen Sie den Eierhalter niemals auf das Gefrierfach

9.3 Gemüsefach

Das Gemüsefach im Kühlschrank hält das Gemüse frisch, indem ihre Feuchtigkeit erhalten bleibt. Für diesen Zweck ist die Zirkulation der Kaltluft im Gemüsefach intensiver. Lagern Sie Obst oder Gemüse in diesem Fach. Lagern grünblättriges Gemüse getrennt von Früchten, um deren Leben zu verlängern.

9.4 Kühlraum für Molkereiprodukte

Kühlagerschublade

Die Kühlschublade kann im Kühlfach niedrigere Temperaturen erreichen. Verwenden Sie diese Schublade für Feinkostprodukte (Salami, Wurst usw.) und Milchprodukte, die kältere Lagerbedingungen erfordern, oder für Fleisch, Hähnchen oder Fisch, die schnell verzehrt werden sollen. Es ist nicht geeignet, Obst und Gemüse in dieser Schublade aufzubewahren.

9.5 Feuchtigkeitsregulierter Gemüsefach

Mit dem feuchtigkeitsregulierten Gemüsefach wird die Feuchtigkeit von Gemüse und Obst unter Kontrolle gehalten und die Lebensmittel bleiben länger frisch.

Wir empfehlen Ihnen, Blattgemüse wie Salat, Spinat und ähnliches Gemüse, das empfindlich auf Feuchtigkeitsverlust reagiert, nicht aufrecht auf den Wurzeln, sondern möglichst waagrecht in das Gemüsefach zu legen.

Wenn Sie das Gemüse platzieren, legen Sie schweres und hartes Gemüse unten und leichtes und weiches oben, wobei Sie das spezifische Gewicht des Gemüses berücksichtigen.

Lassen Sie Gemüse nie in Plastiktüten im Gemüsefach liegen. Wenn Sie sie in Plastiktüten lassen, verrottet das Gemüse in kurzer Zeit.

Verwenden Sie in Situationen, in denen der Kontakt mit anderem Gemüse nicht bevorzugt wird, Verpackungsmaterialien wie Papier mit einer bestimmten Porosität in Bezug auf die Hygiene.

Legen Sie Früchte mit einer hohen Ethylen-gasproduktion wie Birne, Aprikose, Pfirsich und insbesondere Apfel nicht mit anderen Gemüse- und Obstsorten in das gleiche Gemüsefach. Das aus diesen Früchten austretende Ethylengas kann dazu führen, dass anderes Gemüse und Obst schneller reift und in kürzerer Zeit verrottet.

9.6 Wasseranschluss

(Diese Funktion ist optional)



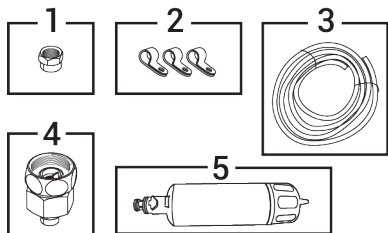
WARNUNG

Das Produkt und ggf. die Wasserpumpe müssen während des Anschlusses ausgesteckt sein.

Die Netz-, Filter- und Kanisteranschlüsse Ihres Produkts müssen von einem autorisierten Servicecenter durchgeführt werden.

Je nach Modell können Sie Ihr Produkt an eine Kanisteranschluß oder direkt an das Wassernetz anschließen. Um diese Verbindung herzustellen, müssen Sie zuerst den Wasserschlauch an das Produkt anschließen.

Überprüfen Sie je nach Modell Ihres Produkts, ob die folgenden Teile im Lieferumfang des Produkts enthalten sind:

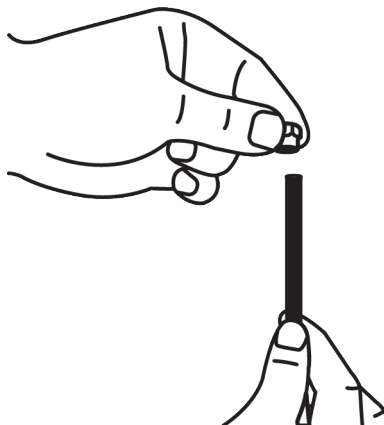
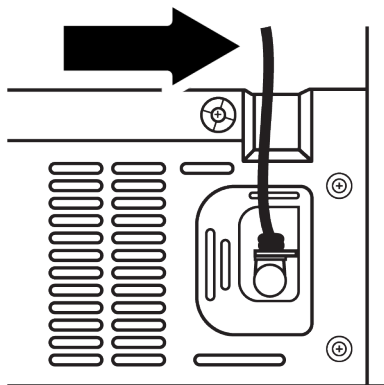


1. Anschlussstutzen (1 Stück): Wird verwendet, um den Wasserschlauch an der Rückseite des Geräts zu befestigen.
2. Schlauchschelle (3 Stück): Dient zur Befestigung des Wasserschlauchs an der Wand.
3. Wasserschlauch (1 Stück, 5 Meter Durchmesser 1/4 Zoll): Wird für den Wasseranschluss verwendet.
4. Wasserhahnadapter (1 Stück): Verwendet für den Anschluss der Kaltwasserleitung mit porösem Filter.
5. Wasserfilter (1 Stück *Optional): Wird für den Anschluss des Wassers an das Produkt verwendet. Wenn eine Kanisterverbindung vorhanden ist; Es ist nicht erforderlich, einen Wasserfilter zu verwenden.

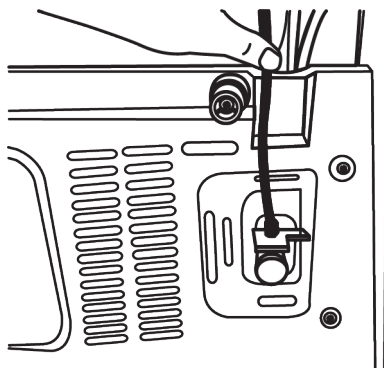
Anschluss des Wasserschlauchs an das Gerät

Befolgen Sie die nachstehenden Anweisungen, um den Wasserschlauch an das Produkt anzuschließen.

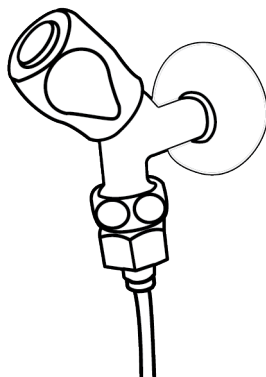
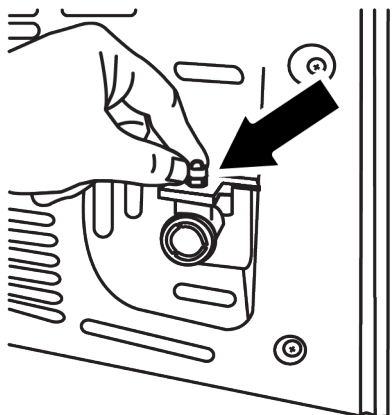
1. Entfernen Sie das Verbindungsstück vom Schlauchendadapter, der an der Rückseite des Produkts angebracht ist, und schrauben Sie das Verbindungsstück auf den Wasserschlauch.



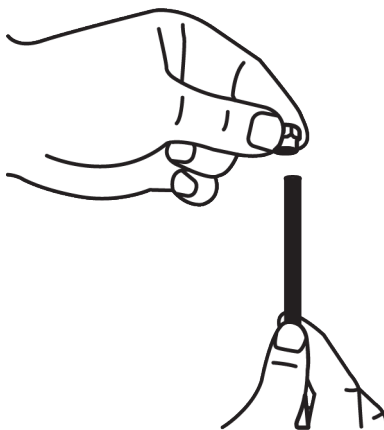
2. Bringen Sie den Wasserschlauch am Schlauchendadapter an, indem Sie ihn fest nach unten drücken.



- 3. Sichern Sie den Anschlussstutzen am Schlauchendadapter, indem Sie sie handfest anziehen. Sie können den Anschlussstutzen auch mit einer Rohrzan-ge oder einer Zange festziehen.



- 3. Befestigen Sie den Anschlussstutzen auf den Wasserschlauch.



Anschluss an das Leitungswasser

(Diese Funktion ist optional)

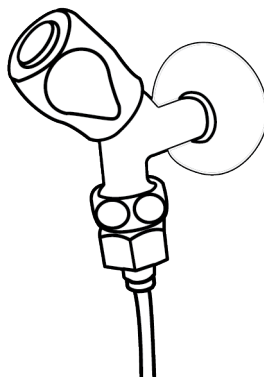
Wenn Sie das Produkt verwenden, indem Sie es an die Kaltwasserleitung anschließen, müssen Sie ein standardmäßiges 1/2-Zoll-Ventil am Kaltwassernetz Ihres Hauses montieren. Wenn dieses Verbindungsstück nicht verfügbar ist und Sie sich nicht sicher sind, wenden Sie sich an einen qualifizierten Monteur.

- 1. Trennen Sie den Anschlussstutzen vom Wasserhahnadapter.

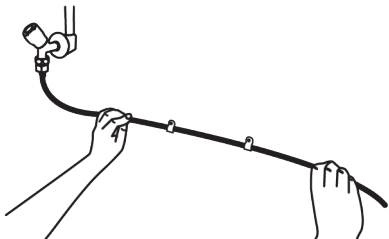


- 2. Schließen Sie den Wasserhahnadapter an das Wasserleitungsventil an.

- 4. Schrauben Sie den Anschlussstutzen auf den Wasserhahnadapter und ziehen Sie sie mit der Hand/dem Werkzeug fest.



5. Sichern Sie den Wasserschlauch an geeigneten Stellen mit den mitgelieferten Klemmen, um Beschädigungen, Verrutschen oder versehentliches Lösen zu vermeiden.



WARNUNG

Vergewissern Sie sich nach dem Öffnen des Wasserhahns, dass an beiden Enden des Wasserschlauchs kein Wasser austritt. Schließen Sie im Falle einer Leckage sofort das Ventil und ziehen Sie alle Anschlüsse mit einer Rohrzanze oder einer Zange fest.

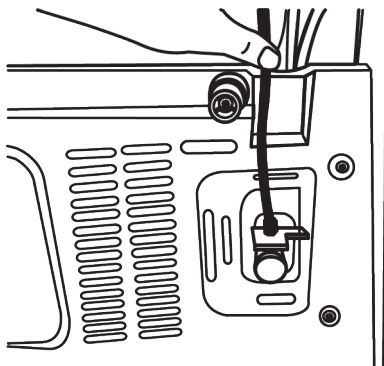
Für Produkte zur Verwendung in Kanistern;

(Diese Funktion ist optional)

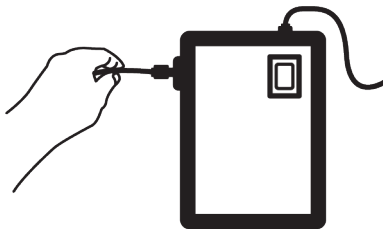
Um das Wasser aus dem Kanister an das Produkt anzuschließen, ist die vom autorisierten Service empfohlene Wasserpumpe erforderlich.

Um das Wasser aus dem Kanister an das Produkt anzuschließen, ist die vom autorisierten Service empfohlene Wasserpumpe erforderlich.

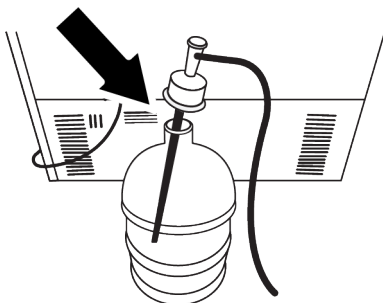
1. Nachdem Sie ein Ende des Wasserschlauchs von der Pumpe an das Produkt angeschlossen haben, befolgen Sie die folgenden Anweisungen.



2. Stellen Sie die Verbindung her, indem Sie das andere Ende des Wasserschlauchs in den Wasserschlaucheinlass der Pumpe stecken.



3. Sichern Sie den Pumpenschlauch, indem Sie ihn in den Kanister stecken.



4. Stecken Sie nach dem Anschluss die Pumpe in die Steckdose und starten Sie die Pumpe.



Warten Sie nach dem Starten der Pumpe 2-3 Minuten, bis die Pumpe gewünschte Effizienz erreicht.



Beachten Sie beim Herstellen des Wasseranschlusses die Betriebsanleitung der Pumpe.



Wenn ein Kanister verwendet werden, muss kein Wasserfilter verwendet werden.

Wasserfilter

(Diese Funktion ist optional)

Je nach Modell verfügt Ihr Produkt möglicherweise über einen Außen- oder Innenfilter. Um den Wasserfilter zu montieren, befolgen Sie die nachstehenden Anweisungen.

Montage des Außenfilters an der Wand

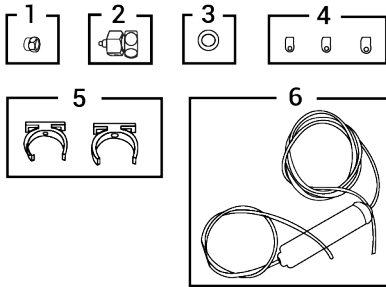
(Diese Funktion ist optional)



WARNUNG

Befestigen Sie den Filter nicht am Produkt.

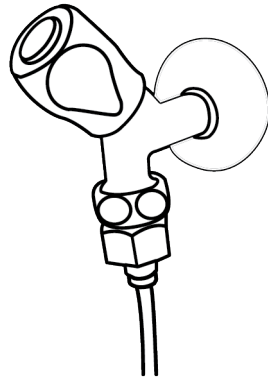
Überprüfen Sie je nach Modell Ihres Produkts, ob die folgenden Teile im Lieferumfang des Produkts enthalten sind:



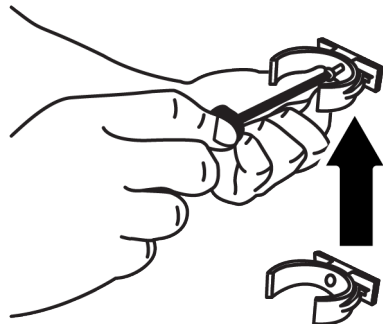
1. Anschlussstutzen (1 Stück): Wird verwendet, um den Wasserschlauch an der Rückseite des Geräts zu befestigen.
2. Wasserhahnadapter (1 Stück): Wird verwendet für den Anschluss der Kaltwasserleitung.
3. Poröser Filter (1 Stück)
4. Schlauchschelle (3 Stück): Dient zur Befestigung des Wasserschlauchs an der Wand.
5. Filteranschlussvorrichtung (2 Stück): Dient zur Montage des Wasserfilters an der Wand.
6. Wasserfilter (1 Stück): Wird für den Anschluss des Wassers an das Produkt verwendet. Wenn eine Kanisterverbin-

dung vorhanden ist; Es ist nicht erforderlich, einen Wasserfilter zu verwenden.

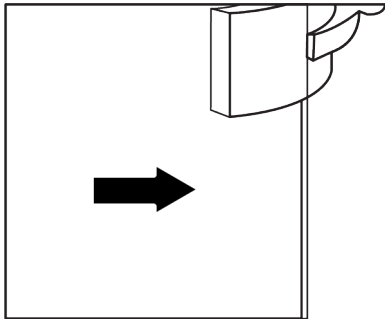
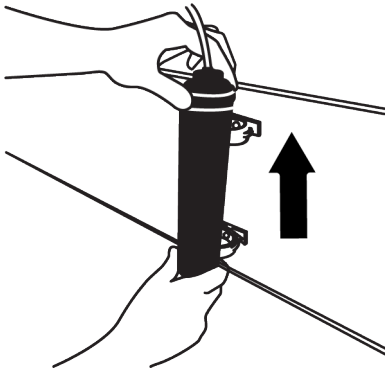
7. Schließen Sie den Wasserhahnadapter an das Wasserleitungsventil an.
8. Bestimmen Sie den Platz, an dem der Außenfilter befestigt wird. Montieren Sie die Anschlussvorrichtung des Filters (5) an der Wand.
9. Positionieren Sie den Filter senkrecht an der Filterhalterung an, wie auf dem Etikett angegeben. (6).



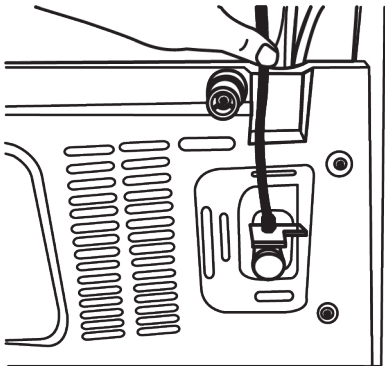
10. Verbinden Sie der von oben aus kommender Filter mit dem Wasseranschlussadapter des Produkts.



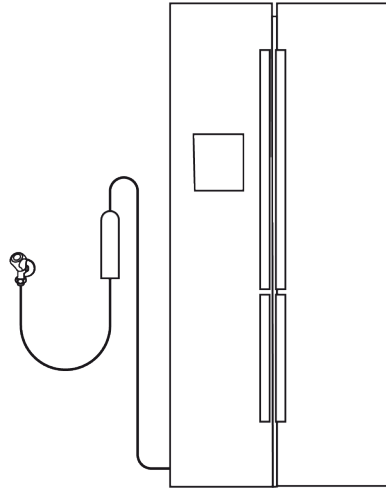
11. Nachdem die Verbindung hergestellt wurde, sollte das Bild wie unten gezeigt aussehen.



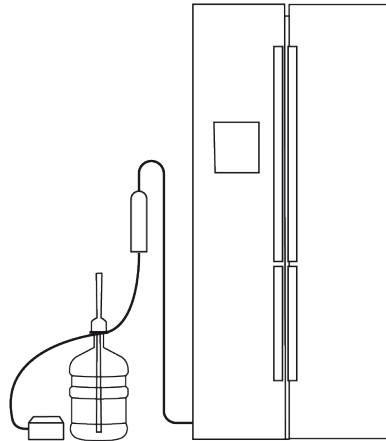
Da der mit dem Produkt gelieferte Innenfilter nicht montiert ist, sind die notwendigen Verfahren für seine Vorbereitung wie folgt:



Wasserleitung

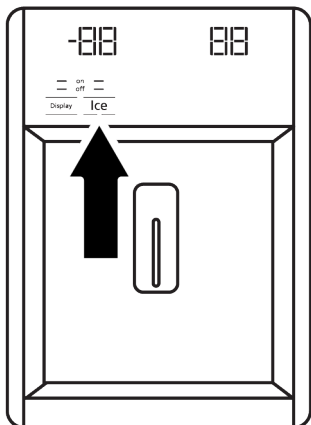


Behälterleitung:



i Verwenden Sie die ersten 10 Gläser Wasser nach dem Anschließen des Filters nicht.

1. Für die Filtermontage muss die **„Ice Off“-Anzeige** aktiv sein. Das Umschalten zwischen EIN- und AUS-Anzeigen auf dem Display erfolgt durch Drücken der **„Ice“-Taste**.

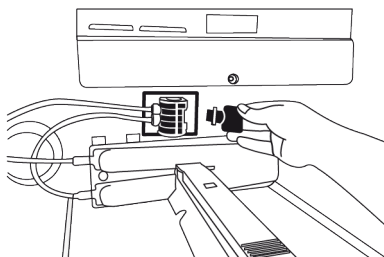


2. Entfernen Sie den Gemüsefach, um an den Wasserfilter zu gelangen.
3. Entfernen Sie die Bypass-Abdeckung des Wasserfilters, in dem Sie sie zu sich ziehen.

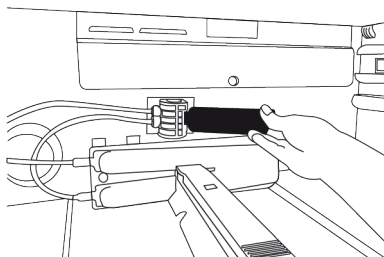


Es ist normal, dass nach dem Entfernen der Abdeckung ein paar Wassertropfen austreten.

4. Bauen Sie die Wasserfilterabdeckung in den Mechanismus ein und drücken Sie sie, um sie zu verriegeln.



5. Verlassen Sie den „Ice Off“-Modus indem Sie erneut die „Ice“-Taste auf dem Display drücken.



Der Wasserfilter entfernt bestimmte Fremdpartikel im Wasser. Es reinigt das Wasser nicht von Mikroorganismen.

10 Wartung und Reinigung

Lesen Sie zuerst die „Sicherheitshinweise“. Ziehen Sie vor der Reinigung Ihres Geräts den Netzstecker oder schalten Sie die Sicherung aus, an die es angeschlossen ist. Stellen Sie Ihre Hände, Füße oder Metallgegenstände nicht unter den Kühlschrank oder zwischen den Kühlschrank und den Boden, aus welchem Grund auch immer. Es kann zu einem Einklemmen kommen oder scharfe Kanten können Verletzungen verursachen.

- Verwenden Sie zum Reinigen des Produkts keine scharfen oder scheuernden Werkzeuge. Verwenden Sie keine Materialien wie Haushaltsreiniger, Seifen, Reinigungsmittel, Gas, Benzin, Verdünnern, Alkohol, Wachs usw.
- Der Staub muss mindestens einmal im Jahr vom Lüftungsgitter auf der Rückseite des Produkts entfernt werden (ohne die Abdeckung zu öffnen). Reinigen Sie das Produkt nur mit einem trockenen Tuch.

Für Produkte mit Wasserspender/Eiswürfelbereiter

- Wenn das Wasser im Wassertank 2-3 Wochen gestanden hat, muss es ausgetauscht werden.
- Der Wassertank und die Komponenten des Wasserspenders dürfen nicht in Geschirrspüln gewaschen werden.
- Schmelzen Sie einen Teelöffel Karbonat in einem halben Liter Wasser. Feuchten Sie ein Tuch mit dem Wasser an und wringen Sie es aus. Wischen Sie das Gerät mit diesem Tuch ab und trocknen Sie es gründlich ab.
- Achten Sie darauf, dass kein Wasser in die Nähe der Lampenabdeckung, des LED-Glases, der Lüftungsöffnungen oder anderer elektrischer Teile gelangt. Gefahr von Stromschlag und Kurzschluss!
- Öffnen Sie stromführende Teile (Abdeckung der Steuerplatine, ggf. hintere Abdeckung des Verdichters usw.) nur in Anwesenheit einer autorisierten Person und führen Sie hier keine Reinigungs-, Wartungs- oder Reparaturarbeiten durch. Wenn Ihr Produkt im Bereich des Kompressors keine Abdeckung hat, berühren Sie diesen Bereich nicht mit den Händen oder mit Gegenständen. Es besteht Stromschlag- und Verletzungsgefahr!
- Reinigen Sie die Tür nur mit einem feuchten Tuch. Nehmen Sie die Tür- und Gehäuseablagen sowie den gesamten Inhalt des Kühlschranks heraus. Entfernen Sie die Türregale, indem Sie sie nach oben heben. Reinigen und trocknen Sie die Ablagen und befestigen Sie sie wieder, indem Sie sie von oben einschieben.
- Verwenden Sie kein chlorhaltiges Wasser bzw. chlorhaltige Reinigungsmittel zur Reinigung der Außenflächen und chrombeschichteten Teile des Geräts. Chlor lässt metallische Oberflächen rosten.
- Stellen Sie Ihre Hände, Füße oder Metallgegenstände nicht unter den Kühlschrank. Jamming may occur or any sharp edge may cause personal injuries..

- Verwenden Sie keine scharfen und scheuernden Werkzeuge, Seife, Haushaltsreiniger, Reinigungsmittel, Gas, Benzin, Lacke und ähnliche Substanzen, um eine Verformung und Entfernung der Drucke auf dem Kunststoffteil zu vermeiden. Verwenden Sie zum Reinigen warmes Wasser und ein weiches Tuch und trocknen Sie es anschließend ab.

Bei Produkten ohne Frostschutzfunktion

- können Wassertropfen und Eisbildung bis zu einer Fingerdicke an der Rückwand des Gefrierfachs auftreten. Nicht reinigen und niemals Öle oder ähnliche Materialien auftragen.
- Verwenden Sie ein leicht angefeuchtetes Mikrofasertuch, um die Außenfläche des Produkts zu reinigen. Schwämme und andere Arten von Reinigungskleidung können Kratzer verursachen.
- Um alle entfernbareren Komponenten während der Reinigung der Innenfläche des Produkts zu reinigen, waschen Sie diese Komponenten mit einer milden Lösung aus Seife, Wasser und Karbonat. Gründlich waschen und trocknen. Kontakt von Wasser mit Beleuchtungskomponenten und dem Bedienfeld verhindern.
- Achten Sie darauf, dass die Abdeckung der Lampen und sonstige Elektroteile nicht mit Wasser in Kontakt kommen.
- Reinigen Sie die Tür nur mit einem feuchten Tuch. Entfernen Sie den gesamten Inhalt, um die Tür- und Gehäuseablagen zu entfernen. Entfernen Sie die Türregale, indem Sie sie nach oben heben. Reinigen Sie die Türeinsätze gründlich und setzen Sie sie sodann wieder ein, indem Sie diese nach unten gleiten lassen.
- Verwenden Sie kein chlorhaltiges Wasser bzw. chlorhaltige Reinigungsmittel zur Reinigung der Außenflächen und chrombeschichteten Teile des Geräts. Chlor lässt metallische Oberflächen rosten.
- Verwenden Sie keine scharfen und scheuernden Werkzeuge, Seife, Haushaltsreiniger, Reinigungsmittel, Gas, Benzin, Lacke und ähnliche Substanzen, um

eine Verformung und Entfernung der Drucke auf dem Kunststoffteil zu vermeiden. Verwenden Sie zum Reinigen warmes Wasser und ein weiches Tuch und trocknen Sie es anschließend ab.

- Bei Produkten ohne Frostschutzfunktion können Wassertropfen und Eisbildung bis zu einer Fingerdicke an der Rückwand des Kühlfachs auftreten. Nicht reinigen und niemals Öle oder ähnliche Materialien auftragen.
- Verwenden Sie nur ein leicht angefeuchtetes Mikrofaser Tuch, um die Außenfläche des Produkts zu reinigen. Schwämme und andere Arten von Reinigungskleidung können Kratzer verursachen.
- Um alle entfernbaren Komponenten während der Reinigung der Innenfläche des Produkts zu reinigen, waschen Sie diese Komponenten mit einer milden Lösung aus Seife, Wasser und Karbonat. Gründlich waschen und trocknen. Kontakt von Wasser mit Beleuchtungskomponenten und dem Bedienfeld verhindern.
- Verwenden Sie auf keiner Innenfläche Essig, Reinigungsalkohol oder andere Reinigungsmittel auf Alkoholbasis.

Außenflächen aus Edelstahl

Verwenden Sie ein nicht scheuerndes Reinigungsmittel aus rostfreiem Stahl und tragen Sie es mit einem weichen, fussselfreien

11 Fehlerbehebung

Lesen Sie zuerst die „Sicherheitshinweise“. Prüfen Sie diese Liste, bevor Sie sich an den Kundendienst wenden. So sparen Sie Zeit und Geld. Diese Liste enthält häufige Beanstandungen, die nicht auf Verarbeitungs- oder Materialfehler zurückzuführen sind. Bestimmte hier aufgeführte Merkmale treffen möglicherweise nicht auf Ihr Produkt zu.

Wenn das Problem nach Befolgen der Anweisungen in diesem Abschnitt weiterhin besteht, wenden Sie sich an Ihren Händler oder einen autorisierten Kundendienst. Versuchen Sie nicht, das Gerät zu reparieren.

Tuch auf. Wischen Sie zum Polieren die Oberfläche vorsichtig mit einem mit Wasser angefeuchteten Mikrofaser Tuch ab und verwenden Sie eine trockene Poliergäme. Folgen Sie immer den Adern des Edelstahls.

Gerüche verhindern

Das Gerät wurde ohne die Verwendung von Geruch erzeugenden Materialien hergestellt. Die unsachgemäße Lagerung von Lebensmitteln und die unsachgemäße Reinigung der Innenflächen können jedoch zu Geruchsbildung führen.

- Um dies zu vermeiden, sollten Sie den Innenraum mit kohlenstoffhaltigem Wasser alle fünfzehn Tage reinigen.
- Bewahren Sie die Lebensmittel in versiegelten Behältern auf, da Mikroorganismen, die von Lebensmitteln in nicht versiegelten Behältern stammen, einen schlechten Geruch verursachen.
- Bewahren Sie keine verdorbenen Lebensmittel bzw. solche mit abgelaufenem Haltbarkeitsdatum im Kühlschrank auf.

Schutz der Kunststoffoberflächen

Auf Kunststoffoberflächen ausgelaufenes Öl kann diese beschädigen. Reinigen Sie daher solche Verschmutzungen unverzüglich.

Der Kühlschrank funktioniert nicht.

- Der Netzstecker ist nicht vollständig eingesteckt. >>> Stecken Sie den Stecker vollständig in die Steckdose.
- Die Sicherung in der Steckdose, die das Produkt mit Strom versorgt, oder die Hauptsicherung ist durchgebrannt. >>> Prüfen Sie die Sicherung.

Kondenswasser an der Seitenwand des Kühlfachs (MULTI ZONE, COOL CONTROL und FLEXI ZONE).

- Die Tür wird zu häufig geöffnet. >>> Achten Sie darauf, die Tür des Geräts nicht zu häufig zu öffnen.

- Die Umgebung ist zu feucht. >>> Stellen Sie das Gerät nicht in feuchten Umgebung auf.
- Flüssigkeitshaltige Lebensmittel werden in unverschlossenen Behältern aufbewahrt. >>> Bewahren Sie die Lebensmittel, die Flüssigkeiten enthalten, in versiegelten Behältern auf.
- Die Tür des Geräts steht offen. >>> Lassen Sie die Tür des Geräts nicht für längere Zeit offen.
- Der Thermostat ist auf eine sehr kühle Temperatur eingestellt. >>> Stellen Sie den Thermostat auf eine angemessene Temperatur ein.

Der Kompressor funktioniert nicht.

- Bei einem plötzlichen Stromausfall oder wenn der Netzstecker gezogen und wieder eingesteckt wird, ist der Gasdruck im Kühlsystem des Geräts nicht ausgeglichen, wodurch die thermische Sicherung des Kompressors ausgelöst wird. Das Gerät schaltet sich nach etwa 6 Minuten wieder ein. Wenn das Gerät nach diesem Zeitraum nicht wieder anläuft, wenden Sie sich an den Kundendienst.
- Die Abtauung ist aktiv. >>> Dies ist normal für ein vollautomatisches Abtauungsprodukt. Die Abtauung wird regelmäßig durchgeführt.
- Das Gerät ist nicht eingesteckt. >>> Vergewissern Sie sich, dass das Netzkabel eingesteckt ist.
- Die Temperatur ist falsch eingestellt. >>> Wählen Sie die richtige Temperatureinstellung.
- Der Strom ist ausgefallen. >>> Das Gerät arbeitet normal weiter, sobald die Stromversorgung wiederhergestellt ist.

Das Betriebsgeräusch des Kühlschranks nimmt während des Betriebs zu.

- Die Betriebsleistung des Geräts kann je nach den Schwankungen der Umgebungstemperatur variieren. Dies ist normal und stellt keine Fehlfunktion dar.

Der Kühlschrank läuft zu oft oder zu lange.

- Das neue Gerät ist möglicherweise größer als das vorherige. Größere Produkte sind länger in Betrieb.
- Die Raumtemperatur ist möglicherweise zu hoch. >>> Das Gerät läuft normalerweise über längere Zeit bei höherer Raumtemperatur.
- Das Gerät wurde möglicherweise vor kurzem eingesteckt oder es wurde ein neues Lebensmittel hineingelegt. >>> Das Gerät braucht länger, um die eingestellte Temperatur zu erreichen, wenn es kürzlich eingesteckt wurde oder ein neues Lebensmittel hineingelegt wurde. Das ist normal.
- Möglicherweise wurden kürzlich große Mengen heißer Lebensmittel in das Gerät gelegt. >>> Legen Sie keine heißen Lebensmittel in das Gerät.
- Die Türen wurden häufig geöffnet oder für längere Zeit offen gehalten. >>> Die warme Luft, die sich im Inneren bewegt, lässt das Gerät länger laufen. Öffnen Sie die Türen nicht zu häufig.
- Die Tür des Gefrier- oder Kühlgeräts ist möglicherweise angelehnt. >>> Vergewissern Sie sich, dass die Türen vollständig geschlossen sind.
- Das Gerät ist möglicherweise auf eine zu niedrige Temperatur eingestellt. >>> Stellen Sie die Temperatur auf eine höhere Stufe und warten Sie, bis das Produkt die eingestellte Temperatur erreicht hat.
- Die Türdichtung des Kühl- oder Gefriereschranks ist möglicherweise verschmutzt, abgenutzt, kaputt oder nicht richtig eingesetzt. >>> Reinigen oder ersetzen Sie die Dichtung. Eine beschädigte/gerissene Türdichtung führt dazu, dass das Gerät länger laufen muss, um die aktuelle Temperatur zu halten.

Die Temperatur des Gefrierfachs ist sehr niedrig, aber die Temperatur des Kühlfachs ist ausreichend.

- Die Temperatur des Gefrierfachs ist auf eine sehr niedrige Temperatur eingestellt. >>> Stellen Sie die Temperatur des Gefrierfachs auf eine höhere Stufe und prüfen Sie erneut.

Die Temperatur im Kühlfach ist sehr niedrig, aber die Temperatur im Gefrierfach ist ausreichend.

- Die Temperatur des Kühlfachs ist sehr niedrig eingestellt. >>> Stellen Sie die Temperatur des Kühlfachs auf eine höhere Temperatur ein und überprüfen Sie sie erneut.

Die Lebensmittel in den Schubladen des Kühlfachs sind gefroren.

- Die Temperatur des Kühlfachs ist sehr niedrig eingestellt. >>> Stellen Sie die Temperatur des Kühlfachs auf eine höhere Temperatur ein und überprüfen Sie sie erneut.

Die Temperatur im Kühl- oder Gefrierfach ist zu hoch.

- Die Kühlfachtemperatur ist sehr hoch eingestellt. >>> Die Temperatureinstellung des Kühlfachs wirkt sich auf die Temperatur im Gefrierfach aus. Warten Sie, bis die Temperatur der betreffenden Teile ein ausreichendes Niveau erreicht hat, indem Sie die Temperatur der Kühl- oder Gefrierfächer ändern.
- Die Türen wurden häufig geöffnet oder für längere Zeit offen gehalten. >>> Öffnen Sie die Türen nicht zu häufig.
- Die Tür kann angelehnt sein. >>> Schließen Sie die Tür vollständig.
- Das Gerät wurde möglicherweise vor kurzem eingesteckt oder es wurde ein neues Lebensmittel hineingelegt. >>> Das ist normal. Das Gerät braucht länger, um die eingestellte Temperatur zu erreichen, wenn es kürzlich eingesteckt wurde oder ein neues Lebensmittel hineingelegt wurde.

- Möglicherweise wurden kürzlich große Mengen heißer Lebensmittel in das Gerät gelegt. >>> Legen Sie keine heißen Lebensmittel in das Gerät.

Schütteln oder Geräusche.

- Der Untergrund ist nicht eben oder nicht stabil >>> Wenn das Produkt bei langsamer Bewegung wackelt, stellen Sie die Ständer ein, um das Produkt auszubalancieren. Vergewissern Sie sich auch, dass der Boden ausreichend stabil ist, um das Gerät zu tragen.
- Auf dem Gerät abgestellte Gegenstände können Geräusche verursachen. >>> Entfernen Sie alle auf dem Gerät abgestellten Gegenstände.
- Das Gerät macht Geräusche von fließenden, spritzenden Flüssigkeiten usw.
- Die Funktionsweise des Produkts beinhaltet Flüssigkeits- und Gasströme. >>> Dies ist normal und stellt keine Fehlfunktion dar.

Aus dem Gerät kommt ein Windgeräusch.

- Das Produkt verwendet einen Ventilator für den Kühlprozess. Dies ist normal und stellt keine Fehlfunktion dar.

An den Innenwänden des Produkts bildet sich Kondenswasser.

- Heißes oder feuchtes Wetter führt zu verstärkter Vereisung und Kondensation. Dies ist normal und stellt keine Fehlfunktion dar.
- Die Türen wurden häufig geöffnet oder für längere Zeit offen gehalten. >>> Öffnen Sie die Türen nicht zu häufig; wenn sie offen sind, schließen Sie die Tür.
- Die Tür kann angelehnt sein. >>> Schließen Sie die Tür vollständig.

An der Außenseite des Geräts oder zwischen den Türen bildet sich Kondenswasser.

- Die Umgebungsluft kann feucht sein, dies ist bei feuchtem Wetter ganz normal. >>> Das Kondenswasser wird sich auflösen, wenn die Luftfeuchtigkeit reduziert wird.

Der Innenraum riecht schlecht.

- Das Produkt wird nicht regelmäßig gereinigt. >>> Reinigen Sie den Innenraum regelmäßig mit einem Schwamm, warmem Wasser und kohlenstoffhaltigem Wasser.
- Bestimmte Halterungen und Verpackungsmaterialien können Geruch verursachen. >>> Verwenden Sie geruchsneutrale Halterungen und Verpackungsmaterialien.
- Die Lebensmittel wurden in nicht verschlossenen Behältern gelagert. >>> Lagern Sie die Lebensmittel in geschlossenen Behältern. Mikroorganismen können auf unverschlossene Lebensmittel überspringen und unangenehme Gerüche verursachen.
- Entfernen Sie alle abgelaufenen oder verdorbenen Lebensmittel aus dem Gerät.

Die Tür schließt nicht.

- Lebensmittelverpackungen können die Tür blockieren. >>> Entfernen Sie alle Gegenstände, die die Türen blockieren.
- Das Gerät steht nicht ganz aufrecht auf dem Boden. >>> Stellen Sie die Ständer so ein, dass das Gerät im Gleichgewicht ist.

- Die Oberfläche ist nicht eben oder nicht stabil >>> Vergewissern Sie sich, dass die Oberfläche eben und ausreichend stabil ist, um das Produkt zu tragen.

Das Gemüsefach ist eingeklemmt.

- Die Lebensmittel können mit dem oberen Teil der Schublade in Kontakt sein. >>> Ordnen Sie die Lebensmittel in der Schublade neu an.

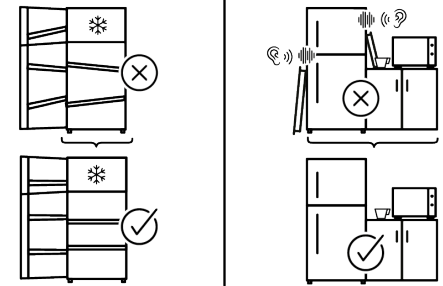
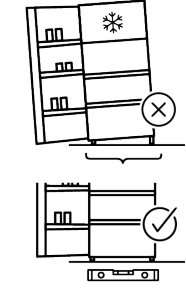
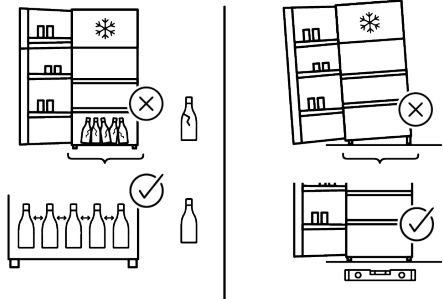
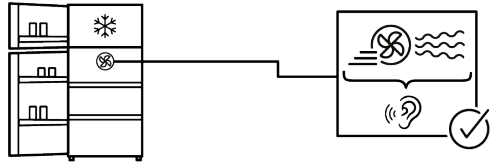
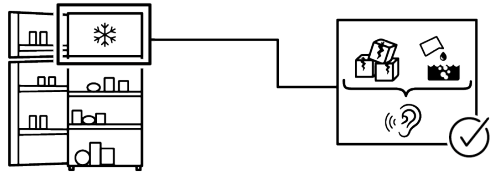
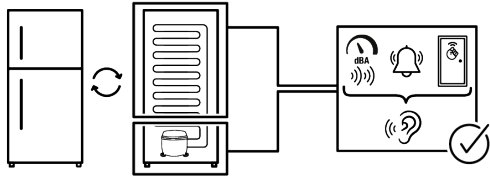
Temperatur auf der Oberfläche des Produkts.

- Während des Betriebs Ihres Geräts kann zwischen zwei Türen, an den Seitenwänden und im hinteren Grillbereich eine hohe Temperatur festgestellt werden. Dies ist normal und erfordert keine Wartung.

Das Gebläse läuft weiter, wenn die Tür geöffnet wird.

- Das Gebläse kann weiterlaufen, wenn die Gefrierschranktür geöffnet ist.

Wenn das Problem nach Befolgen der Anweisungen in diesem Abschnitt weiterhin besteht, wenden Sie sich an Ihren Händler oder einen autorisierten Kundendienst. Versuchen Sie nicht, das Gerät zu reparieren. Das ist normal.



HAFTUNGSAUSSCHLUSS

Einige (einfache) Störungen können vom Endbenutzer in angemessener Weise behoben werden, ohne dass Sicherheitsprobleme oder eine unsichere Verwendung auftreten, vorausgesetzt, sie werden innerhalb der Grenzen und in Übereinstimmung mit den folgenden Anweisungen durchgeführt (siehe Abschnitt "Selbstreparatur").

Sofern im Abschnitt "Selbstreparatur" nichts anderes angegeben ist, müssen Reparaturen von registrierten Fachwerkstätten durchgeführt werden, um Sicherheitsprobleme zu vermeiden. Eine registrierte professionelle Reparaturwerkstatt ist eine professionelle Reparaturwerkstatt, die vom Hersteller gemäß den in den Rechtsakten gemäß der Richtlinie 2009/125/EG beschriebenen Methoden Zugang zu den Anweisungen und der Ersatzteilliste dieses Produkts erhalten hat.

Allerdings darf nur der Kundendienst (d.h. die autorisierte Fachwerkstatt), den Sie über die in der Bedienungsanleitung/Garantiekarte angegebene Telefonnummer oder über Ihren Vertragshändler erreichen können, Serviceleistungen im Rahmen der Garantiebedingungen erbringen. Bitte beachten Sie daher, dass bei Reparaturen durch professionelle (die nicht autorisiert sind durch)BauknechtReparateure die Garantie erlischt.

Selbstreparatur

Folgende Ersatzteile können durch den Endverbraucher allein repariert werden: Türgriffe, Türscharniere, Schalen, Körbe und Türdichtungen (eine aktualisierte Liste ist ab dem 1. März 2021 ebenfalls <https://parts-selfservice.europeanappliances.com> verfügbar).

Um die Sicherheit des Produkts zu gewährleisten und die Gefahr schwerer Verletzungen zu vermeiden, müssen die erwähnten Selbstreparaturen gemäß den Anweisungen in der Bedienungsanleitung für die Selbstreparatur durchgeführt werden, die in [\[ces.com\]\(https://parts-selfservice.europeanappliances.com\) verfügbar sind. Ziehen Sie zu Ihrer Sicherheit den Netzstecker, bevor Sie versuchen, das Gerät selbst zu reparieren.](https://parts-selfservice.europeanapplian-</p></div><div data-bbox=)

Reparatur- und Instandsetzungsversuche durch den Endbenutzer für Teile, die nicht in dieser Liste enthalten sind, und/oder die nicht gemäß den Anweisungen in den Benutzerhandbüchern für die Selbstreparatur oder den in der <https://parts-selfservice.europeanappliances.com> verfügbaren Anweisungen durchgeführt werden, können zu Sicherheitsproblemen führen, die nicht der Bauknecht zuzuschreiben sind, und machen die Garantie des Produkts ungültig. Daher wird den Endnutzern dringend empfohlen, von Reparaturversuchen abzusehen, die nicht in der genannten Ersatzteilliste aufgeführt sind, und sich in solchen Fällen an autorisierte Fachreparaturbetriebe oder registrierte Fachreparaturbetriebe zu wenden. Im Gegenteil, solche Versuche können Sicherheitsprobleme verursachen und das Produkt beschädigen und in der Folge Feuer, Überschwemmungen, Stromschläge und schwere Personenschäden hervorrufen. Beispielsweise müssen die folgenden Reparaturen von autorisierten Fachwerkstätten oder registrierten Fachwerkstätten durchgeführt werden: Kompressor, Kühlkreislauf, Hauptplatine, Inverterplatine, Displayplatine usw.

Der Hersteller/Verkäufer kann in keinem Fall haftbar gemacht werden, wenn der Endverbraucher die oben genannten Punkte nicht beachtet.

Die Ersatzteilverfügbarkeit des von Ihnen gekauften Kühlschranks beträgt 10 Jahre, während dieser Zeit sind Originalersatzteile für den ordnungsgemäßen Betrieb des Kühlschranks verfügbar.

Die Mindestgarantiedauer für den von Ihnen gekauften Kühlschrank beträgt 24 Monate.

Dieses Produkt ist mit einer Lichtquelle der Energieklasse "G" ausgestattet.

Die Lichtquelle in diesem Produkt darf nur von einer professionellen Reparaturwerkstatt ausgetauscht werden.

Cortesemente leggi prima questo manuale!

Gentile Cliente,

Ti ringraziamo per aver scelto questo prodotto .

Vorremmo che il prodotto, che è stato realizzato con la tecnologia più avanzata, ti possa offrire l'efficienza ottimale. Per questo, prima di utilizzare il prodotto leggere attentamente questo manuale e qualsiasi altra documentazione fornita.

Presta particolare attenzione alle informazioni e alle avvertenze contenute nel manuale utente. In questo modo proteggerai te stesso e il tuo prodotto da possibili pericoli. Conserva il manuale utente. Se si dovesse trasferire il prodotto a qualcun altro, non dimenticare di includere questo manuale.




Nel manuale d'uso e sul prodotto sono utilizzati i seguenti simboli:



Leggi il manuale utente.



Pericolo che potrebbe causare morte o lesioni.

 SUPPLIER'S NAME MODEL IDENTIFIER → (*)  	Le informazioni sul modello memorizzate nella banca dati del prodotto possono essere ottenute entrando nel seguente sito web e cercando il proprio identificatore di modello (*) che si trova sull'etichetta energetica. https://eprel.ec.europa.eu/
---	---



1 Istruzioni di sicurezza	130
1.1 Uso previsto	130
1.2 Sicurezza dei bambini, dei disabili e degli animali domestici	130
1.3 Sicurezza elettrica	131
1.4 Manipolazione in sicurezza	132
1.5 Installazione in sicurezza.....	132
1.6 Funzionamento in sicurezza.....	135
1.7 Sicurezza nella conservazione degli alimenti	140
1.8 Manutenzione e pulizia in sicu- rezza.....	140
1.9 Illuminazione	141
1.10 Smaltimento del vecchio prodot- to.....	141
2 Istruzioni relative all'ambiente	142
2.1 Conformità con la direttiva WEEE e con la normativa sullo smalti- mento dei prodotti di scarico.	142
3 Il vostro frigorifero	143
4 Installazione	144
5 Preparazione	146
5.1 Cosa fare per risparmiare energia	146
5.2 Primo utilizzo.....	146
5.3 Classe climatica e definizioni.....	147
6 Funzionamento del prodotto	147
7 Pannello di controllo del prodotto ..	147
8 Uso dell'apparecchio	149
8.1 Conservare il cibo nel congelato- re e nello scomparto frigorifero....	149
8.2 Sostituzione della lampada	152
8.3 Avviso di sportello aperto	152
9 Caratteristiche del prodotto	152
9.1 L'area di conservazione del ghiac- cio.....	152
9.2 Porta uova.....	155
9.3 Cassetto frutta e verdura	155
9.4 Area di conservazione a freddo dei prodotti lattiero-caseari	155
9.5 Crisper a umidità controllata	155
9.6 Collegamento all'acqua	155
10 Manutenzione e pulizia	161

1 Istruzioni di sicurezza

- Questa sezione include le istruzioni sulla sicurezza necessarie per evitare il rischio di lesioni personali e danni materiali.
- La nostra azienda non è da ritenersi responsabile per i danni causati dall'inosservanza delle presenti istruzioni.
- Fare sempre eseguire le operazioni di installazione e riparazione dal produttore, dall'assistenza autorizzata o da una persona che verrà descritta dalla società importatrice.
- Servirsi unicamente di pezzi di ricambio e accessori originali.
- Non riparare o sostituire alcun componente del prodotto a meno che ciò non venga chiaramente specificato nel manuale utente.
- Non eseguire modifiche sul prodotto.

1.1 Uso previsto

- Questo prodotto non è adatto all'uso commerciale e non dovrebbe essere usato per scopi diversi da quelli previsti.
- Questo prodotto è destinato ad ambienti d'uso interni, come le abitazioni o i luoghi simili.

Ad esempio:

Nelle cucine del personale di negozi, uffici e altri ambienti di lavoro,

Nelle cascine,

Nelle unità di alberghi, motel o altre strutture di riposo utilizzate dai clienti,

In ostelli o ambienti simili,

Nei servizi di catering e similari, purché in scenari non retail.

- Questo prodotto non deve essere utilizzato in ambienti esterni aperti o chiusi, come navi, camper, balconi o terrazze. L'esposizione del prodotto a pioggia, neve, luce solare e vento potrebbe causare rischi di incendio.

1.2 Sicurezza dei bambini, dei disabili e degli animali domestici

- Questo prodotto può essere utilizzato da bambini dagli 8 anni in su e da persone con capacità fisiche, sensoriali o mentali insufficienti o prive di esperienza e conoscenza purché supervisionati o abbiano ricevuto istruzioni sull'uso dell'apparecchio in modo sicuro e sui relativi pericoli connessi.

- I bambini tra i 3 e gli 8 anni sono autorizzati a mettere ed estrarre cibo da/nel prodotto raffreddato.
- I bambini e gli animali domestici non devono giocare, salire o entrare nel prodotto.
- I bambini e gli animali domestici devono essere tenuti lontani dalla zona cabina (compressore) dove sono ubicate le parti elettriche.
- Gli interventi di pulizia e manutenzione non devono essere eseguiti dai bambini a meno che sotto la supervisione di una persona adulta.
- Tenere i materiali di imballaggio lontano dalla portata dei bambini. Pericolo di lesioni e soffocamento.
- Se la porta del prodotto dispone di serratura, tenere la chiave fuori dalla portata dei bambini.



1.3 Sicurezza elettrica

- Durante le operazioni di installazione, manutenzione, pulizia, riparazione e trasporto, il prodotto non deve essere collegato alla presa di corrente.
- Se il cavo di alimentazione è danneggiato, deve essere sostituito da una persona inviata dal produttore, dal fornitore di servizi autorizzato o dall'importatore per prevenire ogni potenziale pericolo.
- Non infilare il cavo di alimentazione sotto il prodotto o sul retro del prodotto. Non appoggiare oggetti pesanti sul cavo di alimentazione. Il cavo di alimentazione non deve essere piegato, schiacciato e non deve venire a contatto con alcuna fonte di calore.
- Utilizzare solo un cavo originale. Non utilizzare cavi tagliati o danneggiati.
- Non utilizzare prolunghe, multiple o adattatori per azionare il prodotto.
- Le multi prese portatili o gli alimentatori portatili potrebbero surriscaldarsi e causare incendi. Pertanto, non disporre una presa multipla, fonti di alimentazioni portatili dietro o nelle vicinanze del prodotto.
- Prima di collegare il prodotto alla fonte di alimentazione, rimuovere il cavo di alimentazione dal gancio del condensatore (se disponibile) durante l'installazione.
- L'utente non deve poter raggiungere le parti elettriche dopo l'installazione.
- Non inserire il cavo di alimentazione del prodotto in una presa di corrente allentata o dan-

neggiata. Questi tipi di collegamenti potrebbero causare surriscaldamento e incendi.

- La spina deve essere facilmente accessibile. Se ciò non è possibile, sull'impianto elettrico deve essere disponibile un meccanismo che soddisfi la regolamentazione in materia di elettricità e che scolleghi tutti i terminali dalla rete elettrica (fusibile, interruttore, interruttore principale, ecc.).
- Il prodotto non deve essere utilizzato con un dispositivo di commutazione esterno come un timer o un sistema telecomandato.
- Non utilizzare il prodotto quando i piedi sono nudi o il corpo è bagnato.
- Non toccare la spina con le mani bagnate.
- Quando si scollega l'apparecchio, non farlo per il cavo di alimentazione, ma dalla spina.
- Assicurarsi che la spina non sia bagnata, sporca o impolverata.
- Non collegare mai il prodotto a dispositivi di risparmio energetico. Questi sistemi sono dannosi per il prodotto.



1.4 Manipolazione in sicurezza

- Prima di trasportare il prodotto, assicurarsi di scollegare l'apparecchio.
- Il prodotto è pesante, non maneggiarlo da soli. La caduta del prodotto potrebbe provocare lesioni. Non urtare o far cadere il prodotto durante il trasporto.
- Chiudere sempre le porte e non tenere il prodotto dalle porte durante il trasporto.
- Fare attenzione a non danneggiare il sistema di raffreddamento e le tubazioni durante la manipolazione del prodotto. Non azionare il prodotto se i tubi sono danneggiati e contattare il servizio di assistenza autorizzato.



1.5 Installazione in sicurezza

- Per preparare il prodotto all'uso, consultare le informazioni contenute nel manuale d'uso e installazione e accertarsi che le utenze elettriche e idriche siano conformi a quanto necessario. In caso contrario, chiamare un elettricista qualificato e un idraulico per sistemare le utenze come necessario.

- **Il non rispetto di tali istruzioni potrebbe aumentare il rischio di scosse elettriche, incendi, danni al prodotto o lesioni.**
- Prima di iniziare l'installazione, spegnere il fusibile per togliere tensione alla linea elettrica a cui è collegato il prodotto.
- Il prodotto deve essere installato da due o più persone. Utilizzare guanti protettivi quando si rimuovono il prodotto dalla confezione e durante l'installazione.
- Questo prodotto è progettato per l'uso in aree ad un massimo di 2000 metri sul livello del mare.
- Tenere i bambini lontani dall'area di installazione.
- Controllare che non vi siano danni al prodotto prima di installarlo. Non far installare il prodotto se è danneggiato.
- Utilizzare sempre i dispositivi di protezione individuale (guanti, ecc.) durante l'installazione, la manutenzione e la riparazione del prodotto. Rischio di lesioni.
- Non installare o lasciare il prodotto in luoghi in cui può essere esposto a temperature ambiente esterne.
- Posizionare il prodotto su una superficie pulita, piana e dura e bilanciarlo con le gambe regolabili (ruotando i piedini anteriori a destra o a sinistra). In caso contrario, il frigorifero potrebbe ribaltarsi e causare lesioni.
- Procedere con cautela per evitare di danneggiare i pavimenti (piastrelle, ecc.) durante lo spostamento del prodotto. Installare il prodotto su un pavimento o fornire un supporto sufficiente a seconda delle dimensioni, del peso e del caso d'uso del prodotto. Assicurarsi che il prodotto non sia vicino a una fonte di calore e che tutti e quattro i piedini siano stabili e appoggiati al pavimento. Installare il prodotto come necessario e assicurarsi che sia orizzontale, utilizzando una livella a bolla. Per garantire la completa efficienza del circuito refrigerante, attendere almeno due ore prima di azionare il prodotto.
- Il prodotto deve essere installato in un ambiente asciutto e ventilato. Non tenere tappeti, moquette, o coperture simili sotto il prodotto. In caso contrario, la ventilazione inadeguata potrebbe determinare un rischio di incendio!

- Non bloccare o coprire i fori di ventilazione. In caso contrario, il consumo di energia aumenta e il prodotto potrebbe danneggiarsi.
- Lasciare spazio sufficiente ai lati e sopra per garantire una ventilazione adeguata. Lo spazio tra il pannello posteriore e la parete dietro il prodotto deve essere di almeno 50 mm per evitare la formazione di superfici calde. Una riduzione di questo spazio aumenterà il consumo energetico del prodotto.
- Quando si posiziona il prodotto, assicurarsi che il cavo di alimentazione non sia danneggiato o schiacciato.
- Il prodotto non deve essere collegato a sistemi di alimentazione e fonti di alimentazione che potrebbero causare sbalzi di tensione (ad esempio una fonte di energia solare portatile). In caso contrario, il prodotto potrebbe subire danni a causa delle brusche fluttuazioni di tensione!
- Più refrigerante contiene un frigorifero, più grande sarà lo spazio necessario per la sua installazione. In locali molto piccoli, in caso di perdita di gas nel sistema di raffreddamento potrebbe verificarsi una miscela gas-aria infiammabile. Per ogni 8 grammi di refrigerante è necessario almeno 1 m³ di volume. La quantità di refrigerante disponibile nel prodotto è specificata nella targhetta di identificazione.
- Il prodotto non deve mai essere posizionato in modo tale che i cavi di alimentazione, il tubo metallico del fornello a gas, i tubi metallici del gas o dell'acqua entrino in contatto con la parete posteriore del prodotto (o con il condensatore).
- Il luogo di installazione del prodotto non dovrà essere esposto alla luce diretta del sole e non dovrà essere nelle vicinanze di una fonte di calore come stufe, radiatori, ecc. Se non è possibile evitare l'installazione del prodotto in prossimità di una fonte di calore, utilizzare una piastra isolante adeguata e assicurarsi che la distanza minima dalla fonte di calore sia quella specificata di seguito:
 - Almeno 30 cm di distanza da fonti di calore come stufe, forni, radiatori, riscaldatori, ecc,

- Almeno 5 cm di distanza dai forni elettrici.
- Il prodotto ha la classe di protezione I.
- Inserire il prodotto in una presa con messa a terra conforme ai valori di tensione, corrente e frequenza specificati nella targhetta d'identificazione. La presa deve avere un fusibile da 10A - 16A. La nostra azienda non si assumerà alcuna responsabilità per gli eventuali danni dovuti ad un uso senza previa messa a terra e con collegamento elettrico non conforme alle normative locali e nazionali.
- Durante l'installazione, il cavo di alimentazione del prodotto deve essere scollegato. In caso contrario sussiste il pericolo di scosse elettriche e lesioni!
- Non collegare il prodotto a prese allentate, rotte, sporche o piene di grasso, che fuoriescono dalla mascherina o prese a contatto con l'acqua. Questi tipi di collegamenti potrebbero surriscaldarsi e causare incendi.
- Collocare il cavo di alimentazione e i tubi flessibili (se disponibili) del prodotto in modo che non comportino il rischio di inciampare.
- La penetrazione dell'umidità e liquidi nelle parti sotto tensione o nel cavo di alimentazione potrebbe causare un cortocircuito. Pertanto, non utilizzare il prodotto in ambienti umidi o in zone in cui l'acqua possa schizzare (ad esempio garage, lavanderia, ecc.) Se il frigorifero viene bagnato dall'acqua, staccare la spina e contattare il servizio di assistenza autorizzato.
- Non collegare mai il frigorifero a dispositivi di risparmio energetico. Questi sistemi sono dannosi per il prodotto.
- La rimozione del coperchio della scheda elettronica e del coperchio posteriore del compressore (se presente) comporta il rischio di contatto con parti elettriche. Non rimuovere il coperchio della scheda elettronica e il coperchio posteriore del compressore (se presente). Sussiste il rischio di elettrocuzione!



1.6 Funzionamento in sicurezza

- Non utilizzare mai solventi chimici sul prodotto. Questi materiali comportano un rischio di esplosione.

- In caso di guasto del prodotto, scollegarlo (o togliere tensione al fusibile a cui è collegato) e non utilizzarlo finché non viene riparato dall'assistenza autorizzata. In caso contrario, vi è il rischio di scossa elettrica!
- Non posizionare fiamme (candele accese, sigarette, ecc.) o fonti di calore (ferro da stiro, piano cottura, forno, ecc.) sopra o vicino al prodotto. Non posizionare materiali infiammabili/esplosivi vicino al prodotto...
- Non salire sul prodotto. Pericolo di caduta e lesioni!
- Non danneggiare i tubi dell'impianto di raffreddamento con attrezzi affilati e perforanti. Il refrigerante spruzzato fuori in caso di foratura dei tubi del gas, prolunghe o rivestimenti superficiali potrebbe causare irritazione della pelle e lesioni agli occhi.
- Non intervenire o danneggiare il circuito del liquido di raffreddamento. Rischio di esplosione.
- Non collocare e mettere in funzione apparecchi elettrici all'interno dei frigoriferi/congelatore, a meno che non sia stato consigliato dal produttore.
- Non utilizzare procedure diverse da quelle consigliate dal produttore per accelerare lo sbrinamento.
- Prestare la dovuta attenzione a non schiacciare alcuna parte delle mani o del corpo contro le parti mobili all'interno del prodotto. Fare attenzione a non incastrare le dita tra il frigorifero e la sua porta. Prestare attenzione durante l'apertura o la chiusura della porta in presenza di bambini.
- Non mettere in bocca gelati, cubetti di ghiaccio o cibi surgelati non appena tolti dal congelatore. Pericolo di congelamento!
- Non toccare con le mani bagnate le pareti interne, le parti metalliche del congelatore o gli alimenti conservati al suo interno. Pericolo di congelamento!
- Non collocare nello scomparto congelatore lattine o bottiglie contenenti liquidi che possono congelarsi. Lattine o bottiglie possono esplodere. Pericolo di lesioni e danni materiali!
- Non utilizzare o collocare materiali sensibili alla temperatura come spray infiammabili, oggetti infiammabili, ghiaccio secco o altri agenti chimici nel-

- le vicinanze del frigorifero. Pericolo di incendio ed esplosione!
- Non conservare materiali esplosivi come bombolette spray assieme a materiali infiammabili all'interno del prodotto.
 - Non collocare lattine aperte contenenti liquidi sopra il prodotto. Gli spruzzi d'acqua su una parte elettrica potrebbero causare scosse elettriche o incendi.
 - A causa del rischio di rottura, non conservare contenitori di vetro con liquidi all'interno nel vano congelatore.
 - Questo prodotto non è destinato allo stoccaggio e al raffreddamento di medicinali, plasma sanguigno, preparati o materiali di laboratorio e prodotti simili, soggetti a direttive sui prodotti medici.
 - Se il prodotto viene utilizzato in modo non conforme alla sua destinazione, può causare danni o deterioramento dei prodotti conservati al suo interno.
 - Se il frigorifero è dotato di luce blu, non guardare questa luce con dispositivi ottici. Non guardare direttamente la luce UV LED per lungo tempo. I raggi ultravioletti possono causare affaticamento visivo.
 - Non riempire il prodotto più di quanto consentito dalla sua capacità. Non utilizzare procedure diverse da quelle consigliate dal produttore per accelerare lo sbrinamento. Potrebbero verificarsi lesioni o danni se il contenuto del frigorifero cade quando lo sportello è aperto. Problemi simili potrebbero verificarsi anche quando un oggetto viene posto sopra il prodotto.
 - Assicurarsi di aver rimosso il ghiaccio o l'acqua che potrebbe essere caduta a terra per evitare lesioni.
 - Cambiare la posizione dei ripiani/porta bottiglie sulla porta del frigorifero solo quando i ripiani sono vuoti. Pericolo di lesioni fisiche!
 - Non appoggiare oggetti che potrebbero cadere/ribaltarsi sul prodotto. Questi oggetti potrebbero cadere durante l'apertura o la chiusura della porta e causare lesioni e/o danni materiali.
 - Non urtare e non esercitare una pressione eccessiva sulle superfici di vetro. La rottura del vetro potrebbe causare lesioni e/o danni materiali.
 - Per i prodotti progettati per utilizzare un filtro dell'aria all'interno di una copertura della

ventola accessibile, il filtro deve essere sempre in posizione quando il frigorifero è in funzione.

- Non bloccare la ventola (se disponibile) con il cibo.
- Le guarnizioni danneggiate devono essere sostituite il prima possibile.
- Il prodotto potrebbe avere scomparti speciali (scomparto per alimenti freschi, scomparto per temperature zero ecc.) Salvo diversa indicazione nel manuale pertinente del prodotto, questi scomparti possono essere rimossi e il prodotto utilizzato con le stesse prestazioni.
- Il sistema di raffreddamento del prodotto contiene refrigerante R600a. Il tipo di refrigerante utilizzato nel prodotto è specificato nella targhetta d'identificazione. Questo gas è infiammabile. Pertanto, fare attenzione a non danneggiare il sistema di raffreddamento e le tubazioni durante il funzionamento del prodotto. In caso di danni alle tubazioni:
 1. Non toccare il prodotto o il cavo di alimentazione.

2. Tenere il prodotto lontano da potenziali fonti di calore che potrebbero causare il surriscaldamento e l'incendio del prodotto.
3. Assicurare la ventilazione dell'area in cui è collocato il prodotto. Non utilizzare un ventilatore.
4. Contattare il servizio di assistenza autorizzato.

Prima di smaltire i vecchi prodotti che non devono più essere utilizzati:

1. Scollegare il cavo di alimentazione dalla presa di corrente.
2. Tagliare il cavo di alimentazione e rimuoverlo dall'apparecchio insieme alla spina.
3. Per evitare che i bambini entrino nell'apparecchio non rimuovere i ripiani e i cassetti dal prodotto.
4. Rimuovere le porte.
5. Conservare il prodotto in modo da non ribaltarlo.
6. Non permettere ai bambini di giocare con il prodotto anche se vecchio e non più utilizzato.
7. Se il prodotto è danneggiato e si osservano perdite di gas, stare lontani dal gas. Il gas

potrebbe causare congelamento se entra in contatto con la pelle.

- Non smaltire il prodotto gettandolo nel fuoco. Pericolo di esplosione.
- Se la porta del prodotto dispone di serratura, tenere la chiave fuori dalla portata dei bambini.

Per prodotti con erogatore d'acqua/macchina del ghiaccio

- Utilizzare solo acqua potabile. Non riempire il serbatoio dell'acqua con succo di frutta, latte, bevande gassate, bevande alcoliche o altri liquidi incompatibili con l'uso dell'erogatore d'acqua. Questo potrebbe causare rischi per la salute e la sicurezza.
- Per evitare incidenti e lesioni, non permettere ai bambini di giocare con l'erogatore d'acqua o la macchina per il ghiaccio.
- Non inserire le mani, le dita o altri oggetti all'interno del foro dell'erogatore d'acqua, del canale del ghiaccio o all'interno del contenitore della macchina per il ghiaccio. Questo potrebbe causare lesioni o danni materiali.
- Dovranno essere utilizzati i set di tubi flessibili forniti con il prodotto. Non utilizzare i vecchi set di tubi flessibili. Non allungare i tubi flessibili!
- Collegare sempre il prodotto all'ingresso dell'acqua fredda. Non installare sull'ingresso dell'acqua calda. La pressione per l'ingresso dell'acqua fredda dovrà essere come massimo di 90 psi (620 kPa– 6,2 bar). Qualora la pressione dell'acqua superi gli 80 PSI (550 kPa - 5,5 bar) o abbia un effetto di impatto acqua, usare una valvola limitatrice della pressione nel proprio sistema di alimentazione. Se non si sa come controllare la pressione dell'acqua, chiedere aiuto a idraulici professionisti.
- L'elevata pressione potrebbe causare danni alle connessioni dei tubi flessibili e rappresentare un rischio di allagamento.
- Adottare le precauzioni necessarie contro il rischio di congelamento dei tubi flessibili. L'intervallo di funzionamento della temperatura dell'acqua dovrà essere 0,6°C (33°F) minimo e 38°C (100°F) massimo. C'è il rischio di allagamento se il tubo è incrinato/perforato.



1.7 Sicurezza nella conservazione degli alimenti

Per evitare il deterioramento degli alimenti, si prega di prestare attenzione alle seguenti avvertenze:

- Lasciare gli sportelli aperti per molto tempo potrebbe fare aumentare la temperatura all'interno del prodotto.
- Pulire regolarmente i sistemi di drenaggio accessibili a contatto con gli alimenti.
- Pulire i serbatoi d'acqua che non sono stati usati per 48 ore e i sistemi d'acqua alimentati dalla rete che non sono stati usati per più di 5 giorni.
- Conservare i prodotti crudi di carne e pesce in scomparti appropriati all'interno del prodotto. In tal modo, non sgoccioleranno e non entreranno in contatto con altri alimenti.
- Gli scomparti del congelatore a due stelle sono utilizzati per conservare gli alimenti precotti, fare e conservare il ghiaccio e i gelati.
- Gli scomparti a una, due e tre stelle non sono appropriati per congelare alimenti freschi.

- Se il congelatore è stato lasciato vuoto per molto tempo, spegnerlo, sbrinare, pulire e asciugare il prodotto per proteggere il suo alloggiamento.
- Dopo aver sistemato gli alimenti, controllare che gli sportelli degli scomparti, e in particolare lo sportello del congelatore, siano chiusi correttamente.
- Utilizzare lo scomparto frigorifero per conservare alimenti freschi e quello congelatore per conservare prodotti congelati, congelare alimenti freschi e preparare cubetti di ghiaccio.
- Non conservare alimenti senza sigillarli correttamente negli scomparti frigorifero e congelatore, per evitare il contatto diretto con le superfici interne.



1.8 Manutenzione e pulizia in sicurezza

- Scollegare il frigorifero o togliere tensione al fusibile prima di pulirlo o iniziare ad eseguire la manutenzione.
- Non tirare dalla porta o dalla maniglia della porta se si intende spostare il prodotto per pulirlo. La porta può causare lesioni se la maniglia viene tirata con troppa forza.

- Non posizionare mani, piedi o oggetti metallici sotto o dietro il prodotto. Si potrebbero verificare inceppamenti o i bordi taglienti potrebbero causare lesioni personali.
- Non lavare l'interno o l'esterno del prodotto con un'idropulitrice, vapore, getti d'acqua o getti d'acqua. Pericolo di scosse elettriche e incendi.
- Quando si pulisce il prodotto, non usare strumenti taglienti e abrasivi o detersivi domestici, detersivi, gas, benzina, diluente, alcol, vernice e sostanze simili. Utilizzare solo detersivi e agenti per la pulizia che non siano dannosi per gli alimenti contenuti nel prodotto.
- Non utilizzare tovaglioli di carta, spugne da cucina o altri materiali per la pulizia duri.
- Non utilizzare mai detersivi a vapore o materiali per la pulizia a vapore per pulire il prodotto e scongelare il ghiaccio al suo interno. Il vapore che entra in contatto con le parti sotto tensione del frigorifero provoca cortocircuiti o scosse elettriche.
- Per accelerare le operazioni di scongelamento, non utilizzare attrezzi meccanici o altri utensili diversi da quelli raccomandati dal produttore.
- Tenere l'acqua lontana dai fori per la ventilazione, dai circuiti elettronici o dal sistema di illuminazione del prodotto. In caso contrario, vi è il rischio di incendio o scossa elettrica.
- Utilizzare un panno pulito e asciutto per rimuovere la polvere o un qualsiasi materiale estraneo sulle spine. Non utilizzare un panno umido o bagnato per pulire la spina. In caso contrario, vi è il rischio di incendio o scossa elettrica.



1.9 Illuminazione

Contattare un servizio di assistenza autorizzato quando si deve sostituire il LED/lampadina utilizzato per l'illuminazione.



1.10 Smaltimento del vecchio prodotto

Quando smaltisci il tuo vecchio prodotto segui le istruzioni riportate di seguito:

- Per evitare che i bambini si blocchino accidentalmente nel prodotto, nel caso in cui sia presente la serratura della porta, disattivarla.
- Gli schizzi di fluido refrigerante sono pericolosi per gli occhi. Non danneggiare alcuna parte dell'impianto di raffreddamento durante lo smaltimento del prodotto.

- Potrebbe essere fatale se l'olio del compressore venisse ingerito o se penetrasse nel tratto respiratorio.
- L'impianto di raffreddamento del prodotto include il gas R600 come specificato nell'etichetta informativa. Questo gas

- è infiammabile. Non smaltire il prodotto gettandolo nel fuoco. Rischio di esplosione!
- Il C-pentano è utilizzato come agente espandente nella schiuma isolante ed è una sostanza infiammabile. Non smaltire il prodotto gettandolo nel fuoco.

2 Istruzioni relative all'ambiente

2.1 Conformità con la direttiva WEEE e con la normativa sullo smaltimento dei prodotti di scarto.



Questo prodotto è conforme alla direttiva WEEE dell'UE (2012/19/EU). Questo prodotto porta un simbolo di classificazione per la strumentazione elettrica ed elettronica di scarto (WEEE).

Questo simbolo indica che questo prodotto alla fine della sua vita utile non deve essere smaltito con altri rifiuti domestici. Il dispositivo usato deve essere restituito al punto di raccolta ufficiale per il riciclaggio dei dispositivi elettrici ed elettronici. Per trovare questi sistemi di raccolta si prega di contattare le autorità locali o il rivenditore presso il quale è stato acquistato il prodotto. Ogni famiglia svolge un ruolo importante nel recupero e nel riciclaggio di vecchie apparecchiature. Un adeguato smaltimento dell'apparecchiatura usata aiuta a prevenire potenziali conseguenze negative per l'ambiente e la salute umana.

Conformità con la direttiva RoHS

Il prodotto acquistato è conforme con la Direttiva UE RoHS (2011/65/EU). Non contiene materiali dannosi e proibiti e indicati nella Direttiva.



Informazioni sull'imballaggio

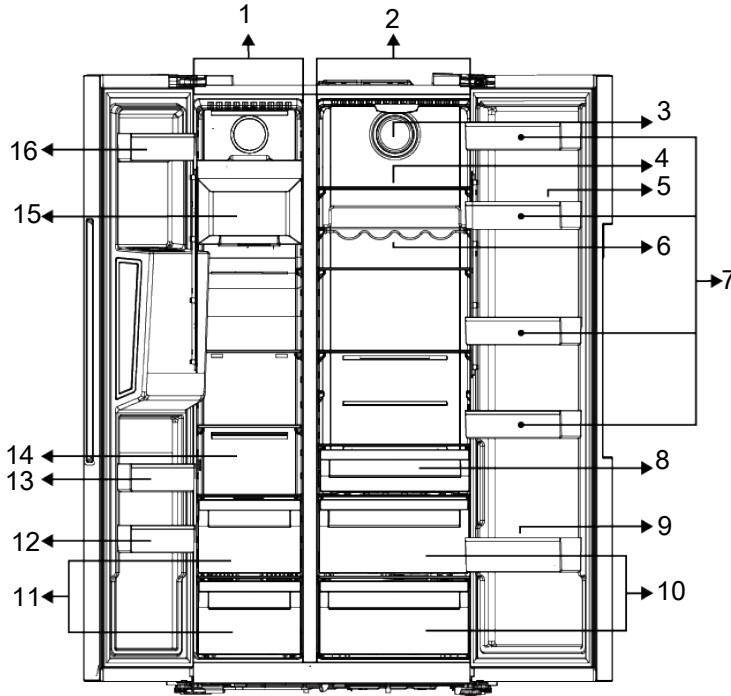
I materiali che compongono l'imballaggio del prodotto sono realizzati a partire da materiali riciclabili in conformità con le nostre Normative Ambientali Nazionali. Non smaltire i materiali dell'imballaggio congiuntamente ai rifiuti domestici o ad altri rifiuti. Portarli presso i punti di raccolta imballaggi indicati dalle autorità locali.



Conformità alle norme e informazioni sui test / Dichiarazione di conformità CE

Le fasi di sviluppo, produzione e vendita di questo prodotto sono conformi alle norme di sicurezza di tutte le linee guida pertinenti della Comunità Europea. 2014/35/UE, 2014/30/UE, 93/68/CE, IEC 60436/ DIN 44990, EN 50242

3 Il vostro frigorifero



IT

1 Comparto congelatore

3 Ventola

5 Porta uova

7 * Ripiani della porta dello scomparto
raffreddatore

9 * Ripiano per bottiglie

11 Scomparti per la conservazione di ali-
menti congelati

13 * Ripiani della porta dello scomparto
congelatore

15 *Macchina del ghiaccio

2 Scomparto raffreddatore

4 * Ripiani in vetro dello scomparto raf-
freddatore

6 * Ripiano per bottiglie

8 * Cella per prodotti lattiero-caseari
(conservazione a freddo)

10 * Cassetti frutta e verdura

12 * Ripiani della porta dello scomparto
congelatore

14 Scomparti per alimenti congelati e
piano in vetro

16 * Ripiani della porta dello scomparto
congelatore

***Opzionale:** Le figure contenute in questo manuale d'uso sono schematiche, e potrebbero non corrispondere esattamente al pro-

dotto. Qualora il prodotto non contenga le parti descritte, l'informazione riguarda altri modelli.

4 Installazione

Luogo idoneo per l'installazione

Leggere prima la sezione "Istruzioni di sicurezza"!

Rivolgersi al Servizio Autorizzato per l'installazione del prodotto. Per preparare il prodotto all'installazione, consultare le informazioni contenute nel manuale utente e accertarsi che le utenze elettriche e idriche siano conformi a quanto necessario. In caso contrario, chiamare un elettricista e un idraulico per sistemare le utenze come necessario.

- I cavi di alimentazione danneggiati vanno sostituiti dal servizio autorizzato.
- Quando vengono posizionati due frigoriferi l'uno a fianco dell'altro, lasciare una distanza di almeno 4 cm fra le due unità.
- Tenere il prodotto lontano dalla luce solare diretta ed in un luogo asciutto.
- La distanza tra il prodotto e le pareti laterali deve essere di 3 mm e la distanza tra il prodotto e la parete posteriore deve essere di 35 mm. (ElegantFit)
- Qualora l'apertura dello sportello fosse troppo stretta per consentire il passaggio del prodotto, togliere lo sportello e ruotarlo; qualora ciò non funzioni, contattare l'assistenza autorizzata.
- Per evitare vibrazioni, posizionare il prodotto su una superficie piana
- Collocare il prodotto ad almeno 30 cm dal termosifone, dalla stufa e da altre fonti di calore e ad almeno 5 cm da eventuali forni elettrici.
- Non esporre il prodotto alla luce solare diretta e non conservare in ambienti umidi.
- Prima del trasporto o l'uso, non aprire mai il coperchio della scheda di controllo sul prodotto. Pericolo di scosse elettriche e incendi!
- La nostra azienda non si assume alcuna responsabilità per gli eventuali danni dovuti ad un uso senza messa a terra e collegamento elettrico non conforme alle normative nazionali.

- Il cavo di corrente deve essere facilmente accessibile dopo l'installazione.

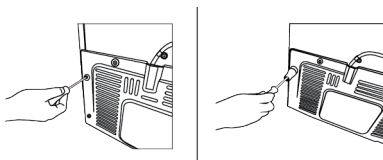
Avvertenza: superficie calda!

Le pareti laterali del prodotto sono dotate di tubi di raffreddamento per migliorare il sistema generale di raffreddamento. L'elevata pressione del fluido potrebbe fluire attraverso queste superfici, causando il riscaldamento eccessivo delle superfici sulle pareti laterali. Ciò è normale e non richiede interventi di manutenzione. Fare attenzione quando si toccano queste aree.

Fissaggio dei cunei in plastica

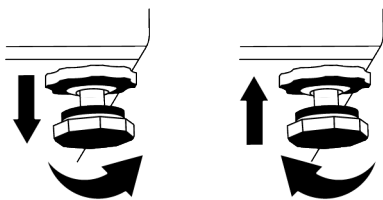
Per garantire una circolazione d'aria sufficiente fra il prodotto e la parete, servirsi dei cunei in plastica forniti in dotazione con il prodotto.

- Rimuovere le viti sul prodotto e montare le viti fornite in dotazione con i cunei.
- Fissare 2 cunei in plastica sul coperchio della ventilazione, come indicato nella figura.



Regolazione delle gambe

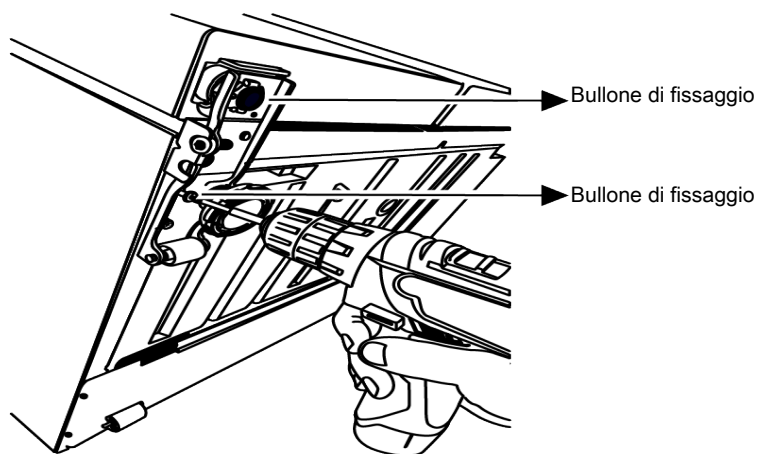
Qualora il prodotto non fosse in equilibrio, regolare i supporti anteriori regolabili, ruotandoli verso destra o verso sinistra.



Per regolare gli sportelli in verticale,

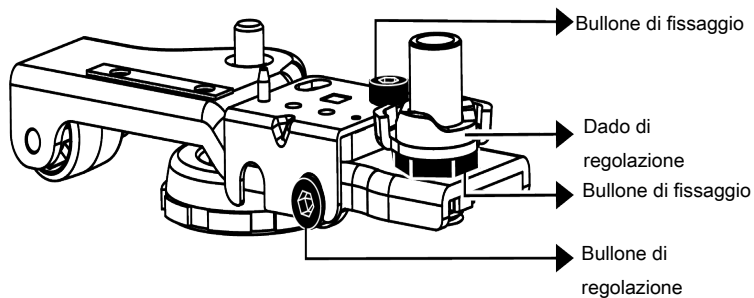
Allentare il dado di fissaggio che si trova sulla parte inferiore. Avvitare il dado di regolazione (SENSO ORARIO/SENSO ANTIO-

RARIO) in base alla posizione della porta.
Serrare il bullone dado di fissaggio per la
posizione finale.



Per regolare gli sportelli in orizzontale,
Allentare la vite di fissaggio in basso Allentare il dado di fissaggio sulla parte superiore. Avvitare il bullone di regolazione (SEN-

SO ORARIO/SENSO ANTIORARIO) sul lato in base alla posizione della porta. Serrare il bullone di fissaggio in alto per la posizione finale Serrare la vite di fissaggio sulla parte inferiore



5 Preparazione

Leggere prima la sezione "Istruzioni di sicurezza"!

5.1 Cosa fare per risparmiare energia

- Quando si caricano gli alimenti, lasciare uno spazio sufficiente all'interno del frigorifero per consentire una circolazione d'aria sufficiente per il raffreddamento.
- L'aria calda e umida, non penetrando direttamente nel prodotto quando le porte non sono aperte, permetterà al prodotto di ottimizzare la funzione di protezione degli alimenti. In queste circostanze, funzioni e componenti come il compressore, la ventola, il riscaldatore, lo sbrinamento, l'illuminazione, il display e così via funzioneranno in base alle esigenze di consumo minimo di energia.
- Nel caso in cui siano presenti più opzioni, i ripiani in vetro devono essere posizionati in modo da non bloccare le uscite d'aria sulla parete posteriore e, preferibilmente, in modo che le uscite d'aria rimangano al di sotto del ripiano in vetro. Questa combinazione potrebbe aiutare a migliorare la distribuzione dell'aria e l'efficienza energetica.
- Per la conservazione, si raccomanda vivamente di utilizzare il cassetto sottostante.
- Per prestazioni ottimali, è possibile utilizzare la funzione Congelamento rapido (se disponibile) 24 ore prima di riporre gli alimenti freschi nel congelatore.
- Nella maggior parte dei casi, 24 ore sono sufficienti per la funzione di Congelamento rapido dopo aver inserito gli alimenti freschi nel congelatore. Dopo un po' di tempo, la funzione Congelamento rapido si disattiva automaticamente.
- Quando si congela una piccola quantità di cibo, la funzione di congelamento rapido può essere disattivata dopo un po' di tempo per garantire il risparmio energetico.

- Per garantire il risparmio energetico e tenere sempre gli alimenti nelle condizioni migliori, gli alimenti devono essere conservati utilizzando i cassetti dello scomparto raffreddatore.

5.2 Primo utilizzo

Prima di utilizzare il prodotto, accertarsi che siano stati effettuati i preparativi necessari in linea con le istruzioni riportate nelle sezioni "Istruzioni di sicurezza" e "Installazione".

- Attendere almeno 2 ore prima di mettere in funzione il prodotto, per garantire la completa efficienza della refrigerazione.
- Mantenere il prodotto in funzione senza inserire alcun alimento all'interno per 6 ore; lo sportello del prodotto dovrà essere tenuto quanto più possibile chiuso.
- La variazione di temperatura causata dall'apertura e dalla chiusura della porta durante l'uso del prodotto potrebbe portare a normale formazione di condensa sul cibo posto sui ripiani della porta/del vano frigo e sui contenitori di vetro posti nel prodotto.
- Si sentirà un suono quando viene attivato il compressore. È normale che il prodotto faccia rumore anche se il compressore non è in funzione, poiché il fluido e il gas potrebbero essere compressi nel sistema di raffreddamento.
- È normale che i bordi anteriori del prodotto siano caldi. Queste aree sono progettate per riscaldarsi al fine di evitare la formazione di condensa.
- Per alcuni modelli, il pannello indicatore si spegne automaticamente 1 minuto dopo la chiusura della porta. Si riattiva quando la porta è aperta o si preme un qualsiasi pulsante.

scomparto congelatore e cifre come 1,2,3... saranno visualizzate sull'indicatore della temperatura dello scomparto raffreddatore. Queste cifre forniscono informazioni al servizio autorizzato sull'errore verificatosi.

Quando si caricano alimenti caldi nello scomparto freezer o si tiene aperta la porta per un lungo periodo di tempo potrebbe visualizzarsi un punto esclamativo. Non si tratta di un guasto, questa avvertenza sarà rimossa quando il cibo viene raffreddato o quando viene premuto un tasto qualsiasi.

Tasto funzione dello scomparto raffreddatore Off (Vacanza)

Per attivare la funzione vacanza, premere il tasto per 3 secondi.

La modalità vacanza sarà attivata e il LED sul pulsante si accenderà. Sull'indicatore della temperatura dello scomparto di raffreddatore sarà visualizzato “- -” e quindi non eseguirà il raffreddamento. Se viene attivata questa funzione, non si devono tenere gli alimenti nello scomparto raffreddatore. Gli altri scomparti continuano a raffreddare secondo le temperature impostate in precedenza. Tenere premuto nuovamente il tasto per 3 secondi per annullare questa funzione.

Tasto di raffreddamento rapido

Quando si preme il tasto di congelamento rapido, il LED del tasto si illumina e verrà attivata la funzione di congelamento rapido. La temperatura dello scomparto raffreddatore è impostata a 1 grado Celsius. Per annullare la funzione premere nuovamente sul tasto. La funzione di congelamento rapido si annulla automaticamente quando il raffreddamento è stato eseguito.

Tasto di impostazione della temperatura dello scomparto raffreddatore

Per lo scomparto raffreddatore è disponibile l'impostazione della temperatura. Premendo questo tasto si attiverà l'impostazione della temperatura dello scomparto raffreddatore a 8,7,6,5,4,3 , 2 e 1 grado Celsius.

Tasto del modulo deodorante

Premere questo tasto per 3 secondi per attivare/disattivare la funzione deodorante. Quando la funzione deodorante è attiva, il LED sul rispettivo tasto è illuminato. Quando la funzione è attiva, il modulo deodorante sarà azionato periodicamente.

Tasto di avviso per la sostituzione del filtro

Il filtro di ingresso dell'acqua del frigorifero deve essere sostituito a intervalli regolari. Il frigorifero calcola automaticamente questo periodo. Quando la durata del filtro è scaduta, il LED sul tasto di avviso di sostituzione del filtro si accende. Dopo aver sostituito il filtro, tenere premuto il pulsante per 3 secondi per spegnere il LED di avviso di sostituzione del filtro.

Tasto di selezione acqua, cubetto di

ghiaccio, ghiaccio tritato

Questo tasto consente di passare tra le selezioni di acqua, cubetti di ghiaccio e ghiaccio tritato. Quando si attiva la funzione, la luce sul tasto deve rimanere accesa.

Tasto wireless

Questo tasto viene utilizzato per effettuare una connessione wireless con il proprio prodotto tramite l'applicazione mobile HomeWhiz.

Quando si preme il tasto per 3 secondi, il LED sul tasto lampeggia lentamente (con intervalli di 0,5 secondi). A questo punto sul prodotto viene visualizzata la rete domestica.

Dopo aver effettuato la connessione wireless con il prodotto, il LED sul tasto si illuminerà continuamente.

Una volta stabilita la connessione iniziale, è possibile attivare/disattivare la connessione con una breve pressione di questo tasto. Il LED sul tasto lampeggerà rapidamente (a intervalli di 0.2 secondi) fino a quando l'elettrodomestico è collegato. Quando la connessione è attiva, il LED rimane illuminato.

Se la connessione non può essere stabilita per un lungo periodo di tempo, controllare le impostazioni per la connessione e consultare la sezione "Risoluzione dei problemi" del manuale utente.

Per la connessione wireless sarà utilizzata l'applicazione HomeWhiz. Le varie fasi di installazione sono descritte sull'applicazione durante l'installazione. È possibile accedere all'applicazione leggendo il codice QR disponibile sull'etichetta HomeWhiz del prodotto. L'applicazione è offerta attraverso App Store per i dispositivi iOS e attraverso Play Store per i dispositivi Android.

Visitare l'indirizzo <https://www.homewhiz.com/> per informazioni dettagliate.

Tasto di impostazione della temperatura dello scomparto Congelatore °C

L'impostazione della temperatura è disponibile per lo scomparto del congelatore. La pressione di questo tasto abiliterà l'impostazione della temperatura dello scomparto congelatore a -16,-17,-18,-19,-20,-21,-22 gradi Celsius.

IT

ATTENZIONE



La temperatura può essere impostata tra 1-8°C per il vano frigorifero e tra -24 e -15°C per il vano congelatore. I valori di temperatura regolabili possono variare a condizione che siano compresi in questi intervalli in base alle specifiche del prodotto.

8 Uso dell'apparecchio

8.1 Conservare il cibo nel congelatore e nello scomparto frigorifero

Conservare il cibo nello scomparto congelatore (freezer)

- È possibile attivare la funzione di congelamento rapido 4-6 ore prima della funzione di congelamento ed eseguire così un raffreddamento più rapido.
- Prima di metterli nello scomparto congelatore, portare i pasti caldi a temperatura ambiente.
- Gli alimenti da congelare vanno suddivisi in porzioni a seconda della dimensione da consumare e vanno congelati in pacchetti separati.
- Consigliamo di confezionare gli alimenti prima di riporli all'interno del congelatore.
- Al fine di evitarne la scadenza, annotare la data, l'ora di congelamento e il nome dell'alimento sulla confezione, in base ai periodi di conservazione dei diversi prodotti alimentari.
- Consumare rapidamente gli alimenti che sono stati scongelati. Gli alimenti scongelati non possono essere ricongelati, a

meno che siano cotti. Non è sicuro consumare i cibi freschi ricongelati senza cottura dopo che sono stati scongelati.

- Quando vengono congelati alimenti freschi, evitare che gli stessi entrino in contatto con alimenti già congelati. Altrimenti, i cibi congelati si scongeleranno.

Conservare gli alimenti che sono venduti congelati

- Quando si conservano gli alimenti, attenersi ai tempi indicati nelle presenti istruzioni.
- Per proteggere la qualità degli alimenti, mantenere l'intervallo di tempo tra l'acquisto e la conservazione il più breve possibile.
- Acquistare gli alimenti congelati che sono conservati a -18°C o a temperature inferiori.
- Evitare di acquistare alimenti le cui confezioni sono coperte di ghiaccio ecc. Questo significa che il prodotto potrebbe essere stato parzialmente scongelato e ricongelato. La temperatura influisce sulla qualità degli alimenti.

- Non superare il tempo di conservazione raccomandato dal produttore dell'alimento. Togliere dal congelatore solo il cibo di cui si ha bisogno.
- Tranne i casi in cui vi siano delle circostanze ambientali estreme, se il prodotto (sulla tabella dei valori nominali raccomandati) è impostato sui valori nominali specificati, gli alimenti manterranno la loro freschezza più a lungo sia nello scomparto prodotti freschi che nello scomparto congelatore.
- Se lo scomparto degli alimenti freschi è impostato su una temperatura più bassa, la frutta e la verdura fresche potrebbero subire il parziale congelamento.

Congelamento rapido

1. Attivare la funzione di congelamento rapido 24 ore prima di inserire gli alimenti freschi.
2. 24 ore dopo aver premuto il pulsante, mettere gli alimenti che si desidera congelare sul terzo e quarto ripiano, in quanto hanno una capacità di congelamento superiore.
3. Una volta che la funzione di congelamento rapido verrà attivata, sarà automaticamente annullata dopo un certo periodo di tempo.

Dettagli per il congelatore

Conformemente agli standard IEC 62552, il congelatore deve avere la capacità di congelare 4,5 kg di alimenti a -18°C o a temperature inferiori a 25°C in 24 ore per ogni 100 litri di volume dello scomparto congelatore.

Gli alimenti possono essere conservati solo per lunghi periodi di tempo a temperature uguali o inferiori a -18°.

Sarà possibile conservare gli alimenti freschi per mesi (all'interno del congelatore a temperature uguali o inferiori a -18°).

Per evitare uno scongelamento parziale, gli alimenti da congelare non devono entrare in contatto con gli altri alimenti già congelati all'interno del congelatore.

Bollire le verdure e filtrare l'acqua per estendere il tempo di conservazione del congelato. Collocare gli alimenti in sacchetti ermetici, dopo aver eseguito il filtraggio e il posizionamento all'interno del congelatore. Banane, pomodori, lattuga, sedano, uova bollite, patate e altri alimenti simili non dovrebbero essere congelati. Nel caso in cui questi alimenti si congelino, solo i valori nutrizionali e le qualità alimentari ne risentiranno negativamente. Non si tratta di una minaccia per la salute umana.

Posizionamento degli alimenti

Ripiani dello scomparto congelatore: diversi alimenti congelati come carne, pesce, gelato, verdure ecc.

Ripiani dello scomparto refrigerante: alimenti all'interno di vasi, piatti e contenitori chiusi, uova (in contenitori chiusi)

Ripiani dello sportello dello scomparto refrigerante: alimenti o bevande di piccole dimensioni e confezionati

Crisper: Verdure e frutta

Scomparto alimenti freschi: Delicatessen (alimenti per la prima colazione, prodotti a base di carne da consumare in poco tempo)

Conservare il cibo nello scomparto frigorifero

- Le temperature dello scomparto aumentano notevolmente se la porta dello scomparto viene aperta e chiusa frequentemente e tenuta aperta per molto tempo; questo può ridurre la durata degli alimenti e causare il loro precoce deterioramento.
- Per non causare cambiamenti di odore e sapore, gli alimenti dovrebbero essere conservati in contenitori chiusi.
- Non conservare troppi alimenti nel frigorifero. Per ottenere un raffreddamento migliore e omogeneo, disporre gli alimenti separatamente in modo che l'aria fredda possa attraversarli.

- Garantire il flusso d'aria lasciando uno spazio tra gli alimenti e la parete interna. Se gli alimenti vengono appoggiati sulla parete posteriore potrebbero congelarsi.
- Portare i pasti caldi cotti a temperatura ambiente prima di metterli in frigorifero. Quindi, mettere il pasto tiepido nei ripiani inferiori del frigorifero. Non mettere i pasti tiepidi vicino agli alimenti che potrebbero facilmente deperirsi.
- Scongelare gli alimenti congelati nello scomparto degli alimenti freschi. In questo modo, è possibile raffreddare lo scomparto degli alimenti freschi utilizzando gli alimenti congelati così da risparmiare energia.
- Conservare la frutta tropicale acerba (mango, varietà di melone, papaya, banana, ananas) nel frigorifero potrebbe accelerare il processo di maturazione. Questo non è consigliabile, perché causa una riduzione dei tempi di conservazione.
- Cipolle, aglio, zenzero e altri ortaggi a radice dovrebbero essere conservati in condizioni di buio e freddo, non in frigorifero.
- Se si nota che un alimento si è deperito nel frigorifero, buttare via quell'alimento e pulire gli accessori che sono entrati in contatto con esso.
- Per raffreddare rapidamente zuppe e stufati, che sono cucinati in grandi pentole, è possibile metterli in frigorifero distribuendoli in contenitori poco profondi
- Non mettere gli alimenti non confezionati vicino alle uova.
- Conservare la frutta e la verdura separatamente e raggruppandola secondo la varietà (per esempio: mele con mele, carote con carote).
- Togliere le verdure verdi dal sacchetto di plastica e metterle in frigorifero dopo averle avvolte in un tovagliolo di carta o in un panno asciutto. Se prima di metterli in frigorifero questi alimenti sono stati lavati, ricordarsi di asciugarli.
- Per creare un ambiente umido e fornire un flusso d'aria a frutta e verdura, che sono inclini a seccarsi, conservarle nei sacchetti di plastica perforati o non sigillati.
- Tranne i casi in cui vi siano delle circostanze ambientali estreme, se il prodotto (sulla tabella dei valori nominali raccomandati) è impostato sui valori nominali specificati, gli alimenti manterranno la loro freschezza più a lungo sia nello scomparto prodotti freschi che nello scomparto congelatore.

Conservare alimenti diversi in luoghi diversi a seconda delle loro caratteristiche.

Alimenti	Ubicazione
Uova	Ripiano porta
Prodotti caseari (burro, formaggio)	Se disponibile, scomparto a zero gradi (per il cibo della colazione)
Frutta, vegetali e verdura a foglia verde	Scomparto per frutta e verdura, crisper o Scomparto EverFresh+ (se disponibile)
Carne fresca, pollame, pesce, salsicce, ecc. Cibi cotti	Se disponibile, scomparto a zero gradi (per il cibo della colazione)
Cibi pronti da servire, prodotti confezionati, cibi in scatola e sottaceti	Ripiani superiori o ripiano della porta
Bevande, bottiglie, spezie e snack	Ripiano porta

Tabella dei valori di impostazione consigliati

Impostazione dello scomparto congelatore	Impostazione dello scomparto frigorifero	Consigli
-22°C	4°C	Questa è l'impostazione predefinita consigliata. Questa impostazione è raccomandata se la temperatura ambiente è inferiore a 30°C.
-22°C o inferiore	4°C	Queste impostazioni sono consigliate quando la temperatura ambiente supera i 30°C.
Congelamento rapido	4°C	Usare quando si desidera congelare alimenti in modo rapido. Al termine del processo, le impostazioni del prodotto torneranno a quelle precedenti.
-18°C o inferiore	2°C	Usare queste impostazioni se si ritiene che lo scomparto del congelatore non sia sufficientemente freddo, a causa della temperatura ambiente, o a causa delle frequenti aperture della porta.

8.2 Sostituzione della lampada

Quando la lampadina/LED usata per l'illuminazione del frigorifero deve essere sostituita, chiamare il servizio assistenza autorizzato.

La lampada o le lampade utilizzate in questa apparecchiatura non possono essere utilizzate per l'illuminazione della casa. L'uso previsto di questa lampada è quello di aiutare l'utente a mettere il cibo nel frigorifero/congelatore in modo sicuro e confortevole.

8.3 Avviso di sportello aperto

Il sistema di avviso di sportello aperto del frigorifero può differire a seconda del modello.

Versione 1;

Se lo sportello del prodotto rimane aperto per un determinato periodo di tempo (tra 60 e 120 secondi), viene emesso un segnale acustico di avviso; a seconda del model-

lo di prodotto, può essere visualizzato anche un segnale di avvertimento visivo (luce lampeggiante). Se si chiude lo sportello del dispositivo o se si preme un pulsante sullo schermo del dispositivo, se presente, l'avviso sonoro si arresterà.




Versione 2;



Se lo sportello del dispositivo resta aperto per un determinato periodo di tempo (tra 60 e 120 secondi) viene emesso l'avviso porta aperta. L'avviso di porta aperta viene emesso gradualmente. Prima un avviso udibile inizia a suonare. Dopo 4 minuti, se lo sportello non è ancora stato chiuso, si attiva un avviso visivo (luce lampeggiante). L'avviso di sportello aperto verrà ritardato per un certo periodo di tempo (tra 60 s e 120 s) quando si preme un qualsiasi tasto sullo schermo del prodotto, se presente. Quindi il processo ricomincerà. Quando lo sportello del dispositivo è chiuso, l'avviso di sportello aperto verrà annullato.

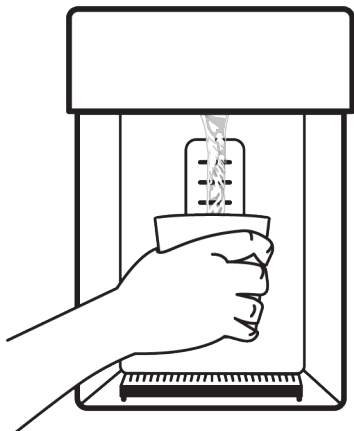
9 Caratteristiche del prodotto

9.1 L'area di conservazione del ghiaccio

Prelievo di ghiaccio/acqua

Selezionare l'opzione corrispondente tramite il display per prelevare acqua  / cubetti di ghiaccio  / ghiaccio in frammenti . Spingere in avanti il grilletto

dell'erogatore d'acqua per prelevare acqua/ghiaccio. Quando si passa dall'opzione cubetto di ghiaccio  a quella di ghiaccio in frammenti , all'inizio potrebbe fuoriuscire il tipo di ghiaccio rimasto dalla selezione precedente.



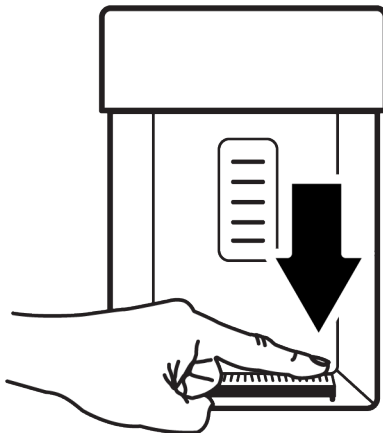
- Per prelevare il ghiaccio dall'erogatore di ghiaccio/acqua per la prima volta, è necessario attendere circa 12 ore. Se nel contenitore del ghiaccio non c'è ghiaccio a sufficienza, non sarà possibile prelevare il ghiaccio dall'erogatore.
- Non consumare/utilizzare i cubetti di ghiaccio (3-4 litri) dopo il primo funzionamento.
- Se si verifica un'interruzione di corrente o un malfunzionamento temporaneo mentre il prodotto è in funzione, il ghiaccio potrebbe sciogliersi leggermente e ricongelarsi. In questo caso, i cubetti potrebbero rimanere attaccati l'uno con l'altro. In caso di interruzione di corrente o di malfunzionamento, il ghiaccio potrebbe sciogliersi e creare un accumulo/perdita d'acqua. In questo caso, pulire il contenitore del ghiaccio versando il ghiaccio rimasto nel contenitore stesso.
- L'impianto idrico del prodotto deve essere collegato solo alla linea dell'acqua fredda. Non deve essere collegato alla linea dell'acqua calda.
- Durante il primo funzionamento del prodotto, si potrebbe non riuscire a prelevare acqua. Ciò è dovuto alla presenza di aria nel sistema. È necessario scaricare l'aria nel sistema. A questo scopo, premere il grilletto dell'erogatore per 1-2 minuti finché l'acqua non esce dall'erogatore. All'inizio, il flusso dell'acqua potrebbe es-

sere irregolare. Il flusso dell'acqua tornerà normale una volta scaricata l'aria presente nel sistema.

- Quando si utilizza il filtro per la prima volta, l'acqua potrebbe essere torbida. I primi 10 bicchieri d'acqua non devono essere consumati.
- Quando il prodotto viene messo in funzione per la prima volta, devono trascorrere circa 12 ore affinché l'acqua si raffreddi.
- Il sistema dell'acqua del prodotto è stato progettato in modo che possa funzionare solo con acqua pulita. Non utilizzare bevande e liquidi diversi dall'acqua.
- Se non si utilizza il prodotto per un lungo periodo di tempo per vacanza, ecc. si consiglia di chiudere l'allacciamento all'acqua. Se l'erogatore dell'acqua non viene usato a lungo, i primi bicchieri, 1-2, potrebbero contenere acqua calda.

Vaschetta di raccolta

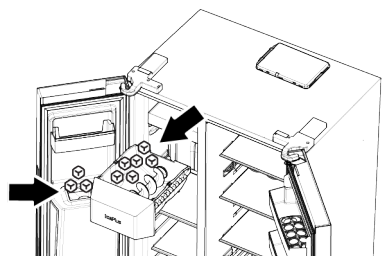
L'acqua che gocciola dall'erogatore dell'acqua si accumula nella vaschetta di raccolta; il prodotto non dispone di uno scarico dell'acqua. È possibile estrarre il vassoio di raccolta tirandolo verso di sé o premendo sul bordo. In questo modo è possibile pulire l'acqua nella vaschetta di raccolta.



Macchina per il ghiaccio

La macchinetta del ghiaccio si trova nella parte superiore del corpo del congelatore.

Afferrando la maniglia sotto la parte anteriore, tirare il contenitore del ghiaccio verso di sé per rimuoverlo.



Per rimuovere il contenitore del ghiaccio

Afferrare la maniglia sul fondo del contenitore e tirarla verso di sé.

Per reinstallare il contenitore del ghiaccio

Inserire il contenitore nella sua sede e spingerlo indietro tenendolo parallelo al terreno. Assicurarsi che non rimanga spazio tra il contenitore e lo scomparto per la produzione del ghiaccio.

Nel caso in cui non si riesca a produrre tutti i cubetti di ghiaccio

I cubetti di ghiaccio che rimangono a lungo nel contenitore potrebbero rimanere attaccati fra loro e formare grossi blocchi di ghiaccio. In questo caso, rimuovere il contenitore del ghiaccio come descritto nel manuale, separare i cubetti di ghiaccio, rimuovere quelli che non possono essere separati dal contenitore e rimettere i cubetti rimanenti nel contenitore.

Se il problema persiste, controllare il canale del ghiaccio e rimuoverlo se è ostruito.

Quando si utilizza la macchinetta per il ghiaccio per la prima volta o dopo un lungo periodo di tempo

I cubetti di ghiaccio potrebbero ridursi a causa dell'aria residua nel sistema dell'acqua. L'aria verrà scaricata automaticamente dopo averla utilizzata per un po' di tempo.

- Non utilizzare i cubetti di ghiaccio prodotti il primo giorno in modo da rinfrescare tutta l'acqua residua nell'impianto.

- Non inserire le mani o altri oggetti nel canale del ghiaccio e nelle lame tritaggiaccio mentre il frigorifero è in funzione.
- Non permettere ai bambini di aggrapparsi alla macchinetta del ghiaccio, al contenitore del ghiaccio o all'erogatore di acqua/ghiaccio.
- Afferrare saldamente il contenitore del ghiaccio con entrambe le mani per non farlo cadere.
- Quando si chiude velocemente lo sportello dell'apparecchio, l'acqua presente nel congelatore potrebbe schizzare finendo nel contenitore del ghiaccio.
- Non smontare il contenitore del ghiaccio se non è necessario.
- In caso di inceppamento (l'apparecchio non fa cadere i cubetti di ghiaccio) mentre si ottiene il ghiaccio in frammenti, provare a ottenere prima i cubetti di ghiaccio.
- Successivamente riprovare con l'erogazione del ghiaccio in frammenti.
- Quando si seleziona il ghiaccio in frammenti, l'apparecchio potrebbe prima produrre dei cubetti di ghiaccio. È possibile che l'elettrodomestico produca cubetti di ghiaccio quando si ottiene ghiaccio in frammenti.
- Lo sportello del congelatore della macchinetta del ghiaccio potrebbe essere coperta da una leggera brina e da uno strato di patina.
- È normale e si consiglia di pulire immediatamente.
- Dopo un po' di tempo, l'acqua potrebbe riempire la griglia che si trova sul fondo dell'erogatore.
- Si consiglia di rimuovere regolarmente l'acqua dalla griglia.
- È normale che si senta un rumore, quando i cubetti di ghiaccio cadono dal contenitore del ghiaccio.. Questo non significa che ci sia un malfunzionamento.
- Il meccanismo della lama del contenitore del ghiaccio è affilato e potrebbe ferire le mani.

- Se i cubetti di ghiaccio non fuoriescono dall'erogatore, significa che potrebbero essere incastrati tra loro. Per continuare a ottenere cubetti di ghiaccio è necessario pulire il contenitore.
- Quando viene premuto il pulsante di attivazione per ottenere il ghiaccio (Indicatore, ecc.) non può essere cambiato il tipo di ghiaccio. E' necessario rilasciare il pulsante (Indicatore, ecc.), cambiare la tipologia di ghiaccio e riprodurlo. Solo dopo aver cambiato il tipo di ghiaccio sull'indicatore, si potrà prelevare il ghiaccio nella forma selezionata.

9.2 Porta uova

È possibile posizionare il portauovo sullo sportello o sul ripiano del corpo/struttura che si desidera.

Se il portauovo deve essere posizionato sul ripiano del corpo, si consiglia di scegliere ripiani inferiori più freddi.

- Non collocare mai il portauova sullo scomparto congelatore.

9.3 Cassetto frutta e verdura

Il cassetto frutta e verdura del frigorifero è stato pensato per tenere fresche le verdure preservando al tempo stesso il loro grado di umidità. A tal fine, all'interno del cassetto, la circolazione complessiva dell'aria fredda è più intensa. Consigliamo di tenere frutta e verdura all'interno di questo scomparto. Tenere le verdure con foglie verdi e i frutti in luoghi separati, al fine di prolungarne la durata.

9.4 Area di conservazione a freddo dei prodotti lattiero-caseari

Cassetto per la conservazione a freddo

Nello scomparto frigorifero, il cassetto per la conservazione a freddo può raggiungere temperature più basse. Utilizzare questo cassetto per prodotti di rostitteria (salumi, salsicce, ecc.) e latticini che richiedono condizioni di conservazione più fredde, o per carne, pollo o pesce da consumare rapidamente. Non conservare frutta e verdura in questo cassetto.

9.5 Crisper a umidità controllata

Con la funzione crisper a umidità controllata, l'umidità delle verdure e della frutta è tenuta sotto controllo e il cibo è mantenuto fresco per un periodo di tempo più lungo.

Raccomandiamo di mettere le verdure a foglia come la lattuga, gli spinaci e altre verdure simili che sono sensibili alla perdita di umidità nel crisper, non in verticale sulle loro radici, ma il più orizzontalmente possibile.

Quando si posizionano le verdure, sistemare quelle pesanti e dure in basso e quelle leggere e morbide in alto, tenendo conto del loro peso specifico.

Non lasciare mai le verdure in sacchetti di plastica nel crisper. Lasciare quel tipo di alimenti in sacchetti di plastica farà marcire le verdure in breve tempo.

In situazioni in cui è preferibile non mettere in contatto diversi tipi di verdure, utilizzare materiali da imballaggio come la carta che abbia un certo grado di porosità in termini di igiene.

Non mettere la frutta che ha un'alta produzione di gas etilene come la pera, l'albicocca, la pesca e in particolare la mela nello stesso cassetto con altre verdure e frutti. Il gas etilene che fuoriesce da questi frutti potrebbe far maturare più velocemente altri ortaggi e frutti e farli marcire in un periodo di tempo più breve.

9.6 Collegamento all'acqua

(Questa funzione è opzionale)



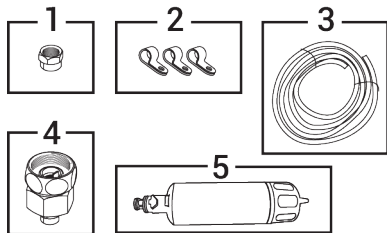
AVVERTENZA

Durate il collegamento, scollegare il prodotto e la pompa dell'acqua, se presente.

I collegamenti alla rete elettrica, al filtro e al serbatoio del prodotto devono essere effettuati da un centro di assistenza autorizzato.

A seconda del modello, puoi collegare il tuo prodotto a una damigiana o direttamente alla rete idrica. Per effettuare questo collegamento, è necessario prima collegare il tubo dell'acqua al prodotto.

A seconda del modello del tuo prodotto, controlla se le seguenti parti sono incluse con il prodotto:

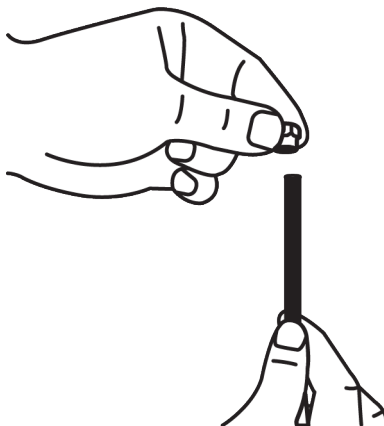
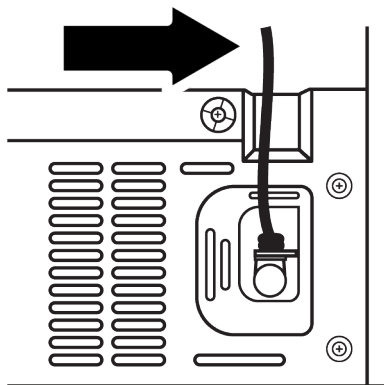


1. Connettore (1 pezzo): Utilizzato per collegare il tubo dell'acqua alla parte posteriore del prodotto.
2. Fascetta stringi-tubo (3 pezzi): Serve per fissare il tubo dell'acqua alla parete.
3. Tubo dell'acqua (1 pezzo, 5 metri di diametro 1/4 di pollice): Utilizzato per il collegamento all'acqua.
4. Adattatore per rubinetto (1 pezzo): Utilizzato per il collegamento alla rete idrica fredda con filtro poroso.
5. Filtro acqua (1 pezzo *Opzionale): Serve per collegare l'acqua di rete al prodotto. Se c'è il collegamento di un fusto; non è necessario utilizzare un filtro per l'acqua.

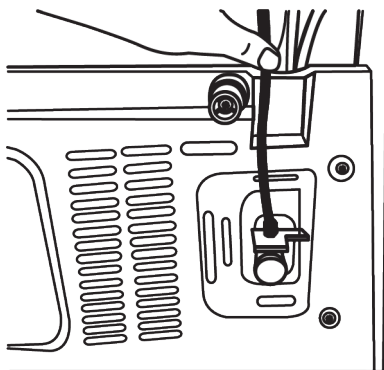
Collegamento del tubo dell'acqua al prodotto

Seguire le istruzioni riportate di seguito per collegare il tubo dell'acqua al prodotto.

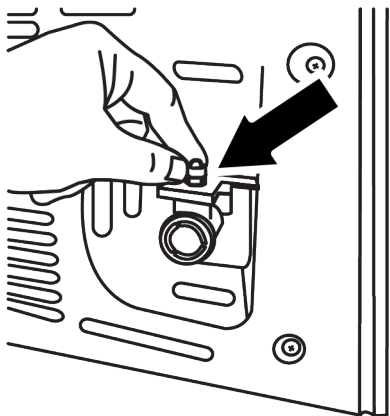
1. Rimuovere il raccordo dall'adattatore dell'estremità del tubo attaccato alla parte posteriore del prodotto, avvitare il raccordo sul tubo dell'acqua.



2. Collegare il tubo dell'acqua all'adattatore dell'estremità del tubo premendo con forza verso il basso.



3. Fissare il raccordo all'adattatore dell'estremità del tubo stringendolo a mano. Puoi stringere il raccordo usando una chiave a tubo o una pinza.

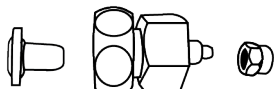


Collegamento alla rete idrica

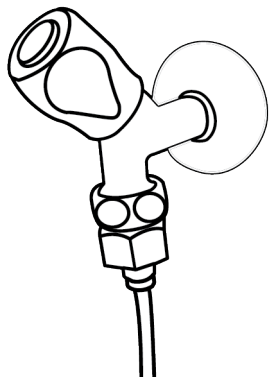
(Questa funzione è opzionale)

Se si intende utilizzare il prodotto collegandolo alla linea dell'acqua fredda, è necessario installare un raccordo valvola standard da 1/2" sulla rete dell'acqua fredda della propria abitazione. Se questo raccordo non è disponibile e non sei sicuro, consulta un idraulico qualificato.

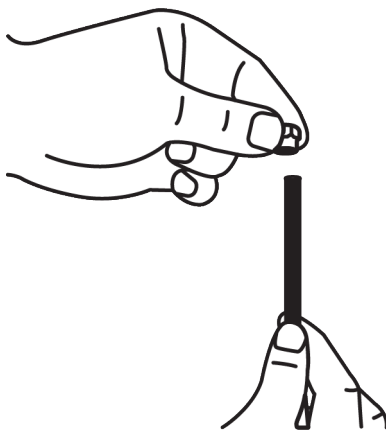
1. Scollegare il raccordo dall'adattatore del rubinetto.



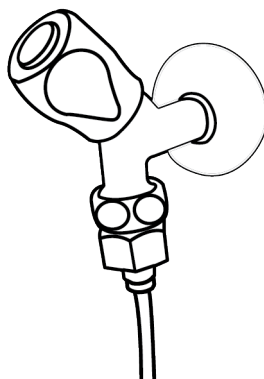
2. Collegare l'adattatore del rubinetto alla valvola della linea di alimentazione.



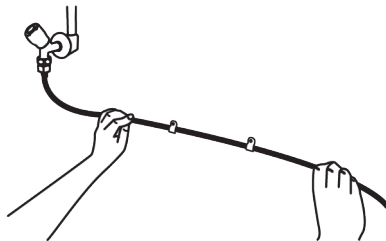
3. Avvitare il raccordo sul tubo dell'acqua.



4. Fissare il connettore all'adattatore del rubinetto e serrare manualmente o con un attrezzo.



5. Fissare il tubo dell'acqua in punti adeguati con le clip fornite per evitare danni, scivolamenti o spostamenti accidentali.





AVVERTENZA

Dopo aver aperto il rubinetto, verificare che non vi siano perdite d'acqua da entrambe i giunti del tubo dell'acqua. In caso di perdite, chiudere la valvola e serrare tutte le connessioni con una chiave per tubi o una pinza.

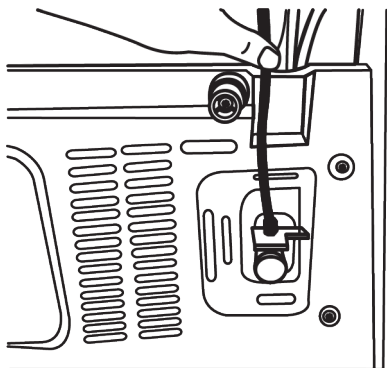
Per i prodotti che utilizzano contenitori;

(Questa funzione è opzionale)

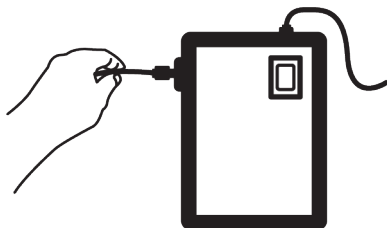
Per collegare l'acqua del contenitore al prodotto, è necessaria la pompa dell'acqua raccomandata dal servizio autorizzato.

Per collegare l'acqua del contenitore al prodotto, è necessaria la pompa dell'acqua raccomandata dal servizio autorizzato.

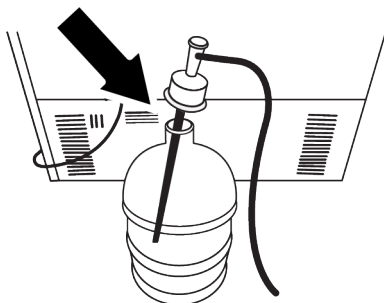
1. Dopo aver collegato un'estremità del tubo dell'acqua dalla pompa al prodotto, seguire le istruzioni riportate di seguito.



2. Effettuare il collegamento spingendo l'altra estremità del tubo dell'acqua nell'ingresso del tubo dell'acqua della pompa.



3. Fissare il tubo della pompa inserendolo nel contenitore.



4. Dopo aver completato il collegamento, collegare la pompa alla presa e avviare la pompa.



Dopo aver avviato la pompa, attendere 2-3 minuti affinché raggiunga l'efficienza desiderata.



Fare riferimento al manuale di istruzioni della pompa durante il collegamento dell'acqua.



Se verrà utilizzato il contenitore, non è necessario utilizzare un filtro per l'acqua.

Filtro dell'acqua

(Questa funzione è opzionale)

A seconda del modello, il prodotto può essere dotato di filtro esterno o interno. Per installare il filtro dell'acqua, seguire le istruzioni riportate di seguito.

Montare il filtro esterno sulla parete

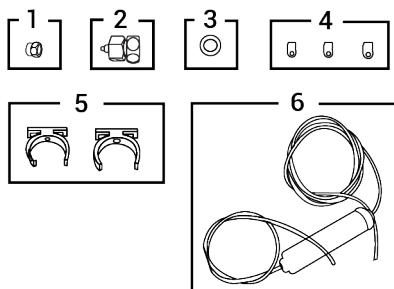
(Questa funzione è opzionale)



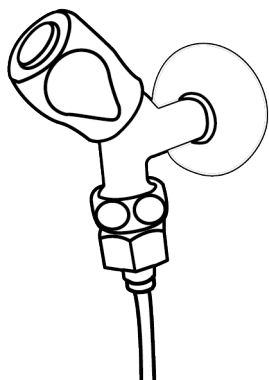
AVVERTENZA

Non installare il filtro sul prodotto.

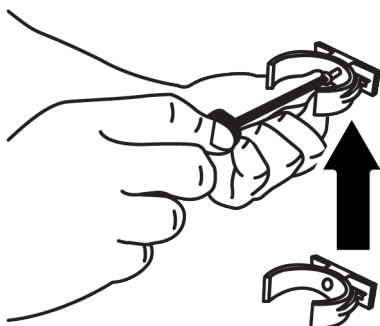
A seconda del modello del tuo prodotto, controlla se le seguenti parti sono incluse con il prodotto:



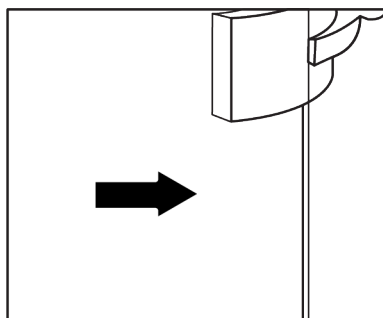
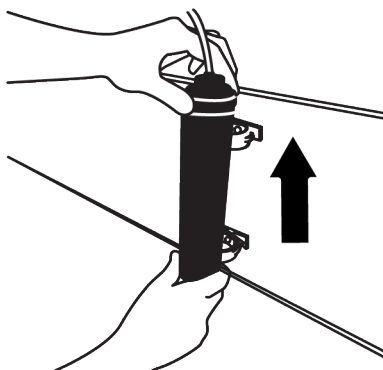
1. Connettore (1 pezzo): Utilizzato per collegare il tubo dell'acqua alla parte posteriore del prodotto.
2. Adattatore per rubinetto (1 pezzo): Utilizzato per il collegamento alla rete idrica dell'acqua fredda.
3. Filtro poroso (1 pezzo)
4. Fascetta stringi-tubo (3 pezzi): Serve per fissare il tubo dell'acqua alla parete.
5. Sistema di collegamento del filtro (2 pezzi): Utilizzato per montare il filtro alla parete.
6. Filtro acqua (1 pezzo): Serve per collegare l'acqua di rete al prodotto. Se c'è il collegamento di un fusto; non è necessario utilizzare un filtro per l'acqua.
7. Collegare l'adattatore del rubinetto alla valvola della linea di alimentazione.
8. Decidere il luogo in cui fissare il filtro esterno. Fissare il sistema di collegamento del filtro (5) alla parete.
9. Attaccare il filtro in posizione verticale alla staffa del filtro, come indicato sull'etichetta. (6).



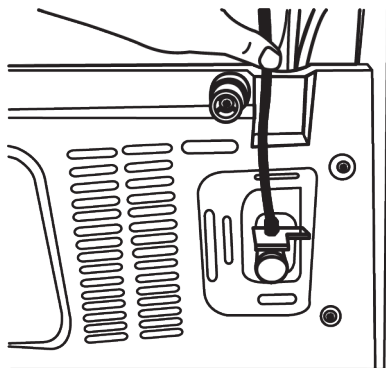
10. Collegare il tubo dell'acqua che fuoriesce dalla parte superiore del filtro all'adattatore di collegamento dell'acqua del prodotto.



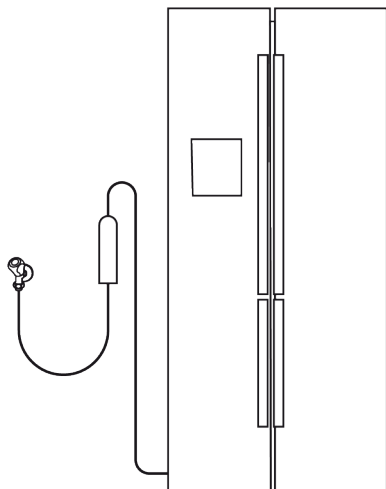
11. Una volta completata la connessione, l'immagine dovrebbe essere come mostrato di seguito.



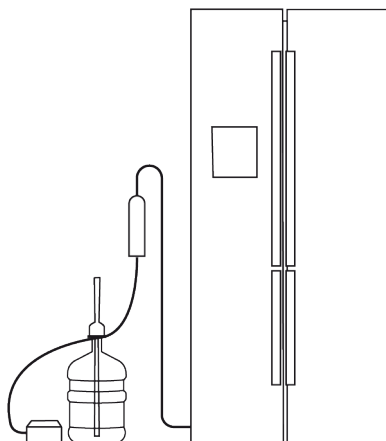
Poiché il filtro interno in dotazione al prodotto non viene installato, le procedure necessarie per la sua preparazione sono le seguenti:



Linea dell'acqua:

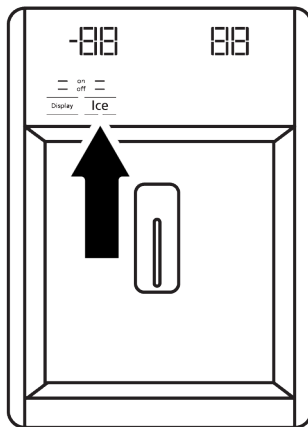


Linea della damigiana:



i Non utilizzare i primi 10 bicchieri d'acqua dopo aver collegato il filtro.

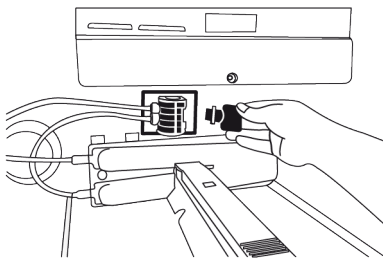
1. Per l'installazione del filtro, l' "Indicatore Ice Off" deve essere attivo. Il passaggio tra gli indicatori ON e OFF sul display avviene premendo il pulsante "Ice".



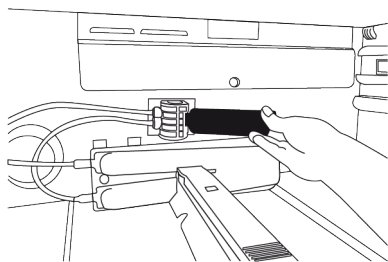
2. Per accedere al filtro dell'acqua, rimuovere il contenitore per frutta e verdura.
3. Rimuovere il coperchio del filtro bypass dell'acqua tirandolo verso di sé.

i È normale che fuoriescano alcune gocce d'acqua dopo aver rimosso il coperchio.

4. Inserire il coperchio del filtro dell'acqua nel meccanismo e spingerlo in avanti per bloccarlo in posizione.



5. Uscire dalla modalità "Ice Off" premendo nuovamente il pulsante "Ice" sul display.



i Il filtro dell'acqua elimina alcune particelle estranee presenti nell'acqua. Non purifica l'acqua dai microrganismi.

IT

10 Manutenzione e pulizia

Leggere prima la sezione "Istruzioni di sicurezza"!

Prima di pulire il prodotto, scollegarlo o togliere tensione al fusibile a cui è collegato. Non posizionare per nessun motivo le mani, i piedi o oggetti metallici sotto il frigorifero o tra il frigorifero e il pavimento. Si potrebbero verificare inceppamenti o i bordi taglienti potrebbero causare lesioni personali.

- Non utilizzare utensili affilati o abrasivi per pulire il prodotto. Non usare materiali come detersivi domestici, sapone, detersivi, gas, benzina, diluenti, alcool, cera, ecc.
- La polvere deve essere rimossa dalla griglia di ventilazione sul retro del prodotto almeno una volta all'anno (senza aprire il coperchio). Pulire il prodotto servendosi di un panno asciutto.

Per prodotti con erogatore d'acqua/macchina del ghiaccio

- Se l'acqua è rimasta per 2-3 settimane nel serbatoio, deve essere sostituita.
- Il serbatoio dell'acqua e i componenti dell'erogatore dell'acqua non devono essere lavati in lavastoviglie.
- Sciogliere un cucchiaino di carbonato in mezzo litro d'acqua. Ammorbidire un panno in acqua, quindi strizzarlo. Pulire il dispositivo con questo panno, quindi asciugare completamente.
- Fare attenzione a tenere l'acqua lontana dal coperchio della luce, dal vetro dell'illuminazione a LED, dai fori di ventilazione o da altre parti elettriche. Rischio di scossa elettrica e cortocircuito!
- Non aprire le parti sotto tensione (coperchio della scheda di controllo, coperchio posteriore del compressore se presente, ecc.) senza la presenza di una persona autorizzata e non eseguire alcuna pulizia, manutenzione o riparazione qui. Se il prodotto non ha copertura nella sezione del compressore, non toccarlo con le mani o con qualsiasi oggetto. Rischio di scosse elettriche e lesioni!
- Pulire la porta servendosi di un panno umido. Rimuovere i ripiani della porta e del corpo, così come tutto il contenuto all'interno del frigorifero. Rimuovere i ripiani della porta sollevandoli verso l'alto. Pulire e asciugare i ripiani, poi fissarli nuovamente in posizione facendoli scorrere da sopra.
- Non usare acqua con cloro o prodotti detersivi sulla superficie esterna e sulle componenti rivestite in cromo. Il cloro provoca ruggine su queste superfici metalliche.
- Non posizionare mani, piedi o oggetti metallici sotto il frigorifero. Si potrebbero verificare inceppamenti o i bordi taglienti potrebbero causare lesioni personali.

- Non utilizzare strumenti affilati e abrasivi, sapone, materiali per la pulizia della casa, detersivi, gas, benzina, vernici e sostanze simili per evitare deformazioni e rimozione di impronte sulla parte in plastica. Per pulire, usare acqua tiepida e un panno morbido, quindi asciugare.

Sui prodotti senza funzione No-Frost;

- Sulla parete posteriore dello scomparto congelatore si potrebbero formare gocce d'acqua e ghiaccio dello spessore fino a un dito. Non pulirla; non applicare mai olio o sostanze simili.
- Per pulire la superficie esterna del prodotto utilizzare un panno in micro-fibra leggermente inumidito. Spugne e altri tipi di panni per la pulizia potrebbero graffiare la superficie.
- Per pulire tutti i componenti rimovibili durante la pulizia della superficie interna del prodotto, lavare questi componenti con una soluzione delicata composta da sapone, acqua e carbonato. Risciacquare e asciugare completamente. Evitare il contatto dell'acqua con i componenti dell'illuminazione e con il pannello di controllo.
- Fare attenzione a tenere l'acqua lontana dalla copertura delle lampade e dalle altre componenti elettriche.
- Pulire la porta servendosi di un panno umido. Per rimuovere la porta e i vari ripiani, rimuovere prima tutto il contenuto. Rimuovere i ripiani della porta sollevandoli verso l'alto. Pulire e asciugare i ripiani, poi fissare nuovamente in posizione facendo scorrere da sopra.
- Non usare acqua con cloro o prodotti detersivi sulla superficie esterna e sulle componenti rivestite in cromo. Il cloro provoca ruggine su queste superfici metalliche.
- Non utilizzare strumenti affilati e abrasivi, sapone, materiali per la pulizia della casa, detersivi, gas, benzina, vernici e sostanze simili per evitare deformazioni e rimozione di impronte sulla parte in plastica. Per pulire, usare acqua tiepida e un panno morbido, quindi asciugare.

- Sui prodotti senza la funzione No-Frost, potrebbero formarsi goccioline d'acqua e ghiaccio fino allo spessore di un dito sulla parete posteriore dello scomparto congelatore. Non pulirla; non applicare mai olio o sostanze simili.
- Per pulire la superficie esterna del prodotto utilizzare un panno in micro-fibra leggermente inumidito. Spugne e altri tipi di panni per la pulizia potrebbero graffiare la superficie.
- Per pulire tutti i componenti rimovibili durante la pulizia della superficie interna del prodotto, lavare questi componenti con una soluzione delicata composta da sapone, acqua e carbonato. Risciacquare e asciugare completamente. Evitare il contatto dell'acqua con i componenti dell'illuminazione e con il pannello di controllo.
- Non utilizzare aceto, alcool o altri detersivi a base di alcool su nessuna delle superfici interne.

Superfici esterne in acciaio inossidabile

Utilizzare un detergente non abrasivo per acciaio inossidabile e applicarlo con un panno morbido privo di pelucchi. Per lucidare, strofinare delicatamente la superficie con un panno in micro-fibra inumidito con acqua e utilizzare una pelle di camoscio per lucidare a secco. Seguire sempre le venature in acciaio inossidabile.

Prevenzione dei cattivi odori

Il prodotto è stato realizzato con materiali che non emettono cattivi odori. Tuttavia, una conservazione inappropriata degli alimenti e una pulizia inadeguata delle superfici interne possono causare la formazione di odori.

- A tal fine consigliamo di pulire l'interno con acqua gassata ogni 15 giorni.
- Conservare gli alimenti in contenitori sigillati, poiché i microrganismi derivanti da alimenti tenuti in contenitori non sigillati causano cattivi odori.
- Non conservare alimenti scaduti e marci all'interno del frigorifero.

L'olio rovesciato sulle superfici in plastica potrebbe danneggiare la superficie, e deve essere pulito immediatamente servendosi di acqua tiepida.

11 Guida alla risoluzione dei problemi

Leggere prima la sezione "Istruzioni di sicurezza"!

Controllare questo elenco prima di contattare il servizio clienti. Questa operazione vi consentirà di risparmiare soldi. Questo elenco contiene le lamentele più frequenti che non riguardano problemi a livello di manodopera o materiali. Alcune funzioni qui indicate potrebbero non essere valide per il prodotto in questione.

Se il problema persiste dopo aver seguito le istruzioni di questa sezione, contattare il fornitore o un Servizio di Assistenza autorizzato. Evitare in ogni caso di riparare il prodotto.

Il frigorifero non funziona.

- La presa di corrente non è stata inserita correttamente. >>> Spingerla fino a inserirla completamente nella presa.
- Il fusibile collegato alla presa che alimenta il prodotto, oppure il fusibile principale, è bruciato. >>> Controllare il fusibile.

Condensa sulla parete laterale dello scomparto raffreddatore (MULTI ZONE, COOL, CONTROL e FLEXI ZONE).

- La porta viene aperta troppo spesso. >>> Fare attenzione a non aprire troppo frequentemente la porta del prodotto.
- L'ambiente è troppo umido. >>> Non installare il prodotto in ambienti umidi.
- Gli alimenti contenenti liquidi sono conservati in contenitori non sigillati. >>> Tenere gli alimenti contenenti liquidi in contenitori sigillati.
- La porta del prodotto viene lasciata aperta. >>> Non tenere aperte a lungo le porte del frigorifero.
- Il termostato è impostato su una temperatura molto fredda. >>> Impostare il termostato su una temperatura adeguata.

Il compressore non funziona.

- In caso di improvviso black out, o nel caso in cui la spina venga tolta e poi reinserita, la pressione del gas nel sistema di raffreddamento del prodotto non è equilibrata, il che fa scattare la protezione termica del compressore. Il prodotto si riavvierà dopo circa 6 minuti. Qualora il prodotto non si riavvii dopo questo periodo, contattare l'assistenza.
- La modalità di scongelamento è attiva. >>> Si tratta di una condizione normale per un frigorifero con funzione di sbrinamento completamente automatica. Lo sbrinamento avviene a intervalli periodici.
- Il prodotto non è collegato. >>> Verificare che il cavo di alimentazione sia collegato.
- L'impostazione della temperatura è sbagliata. >>> Selezionare l'impostazione di temperatura adeguata.
- Non c'è corrente. >>> Il prodotto continuerà a funzionare normalmente quando verrà ripristinata la corrente elettrica.

Il rumore di funzionamento del frigorifero aumenta col passare del tempo.

- Le prestazioni del prodotto potrebbero variare a seconda delle variazioni della temperatura ambiente. Ciò è normale e non è un'anomalia di funzionamento.

Il frigorifero funziona troppo spesso o troppo a lungo.

- Il nuovo prodotto potrebbe essere più grande di quello precedente. I prodotti più grandi funzioneranno più a lungo.
- La temperatura della stanza potrebbe essere alta. >>> Il prodotto funzionerà normalmente per lunghi periodi di tempo con temperature ambiente superiori.
- Il prodotto potrebbe essere stato di recente collegato alla corrente, oppure al suo interno potrebbero essere stati recentemente aggiunti vari alimenti. >>> Al

prodotto servirà più tempo per raggiungere la temperatura impostata, se collegato di recente, oppure nel caso in cui siano stati collocati nuovi alimenti al suo interno. Ciò è normale.

- Forse di recente sono state introdotte nel frigorifero grandi quantità di alimenti caldi. >>> Non mettere alimenti caldi direttamente dentro al frigorifero.
- Le porte sono state aperte frequentemente o tenute aperte a lungo. >>> L'aria calda che si muove all'interno provocherà un funzionamento più prolungato. Non aprire le porte con troppa frequenza.
- Le porte del congelatore o del raffreddatore potrebbero essere socchiuse. >>> Controllare che le porte siano totalmente chiuse.
- Il prodotto potrebbe essere impostato su una temperatura troppo bassa. >>> Impostare la temperatura su un livello più alto e attendere che il prodotto raggiunga la temperatura desiderata.
- La rondella della porta del raffreddatore o del congelatore potrebbe essere sporca, usurata, rotta o non correttamente configurata. >>> Pulire o sostituire la guarnizione. Le rondelle consumate e usurate faranno funzionare il prodotto più a lungo per conservare la temperatura attuale.

La temperatura del congelatore è molto bassa, ma la temperatura del raffreddatore è corretta.

- La temperatura dello scomparto congelatore è impostata su un livello molto basso. >>> Impostare la temperatura dello scomparto congelatore su un livello più alto, quindi eseguire un controllo.

La temperatura del raffreddatore è molto bassa, ma la temperatura del congelatore è corretta.

- Impostare la temperatura dello scomparto raffreddatore su un livello più alto, quindi eseguire un controllo. >>> Impostare la temperatura dello scomparto raffreddatore su un livello più alto, quindi eseguire un nuovo controllo.

Gli alimenti conservati nei cassetti dello scomparto raffreddatore sono congelati.

- Impostare la temperatura dello scomparto raffreddatore su un livello più alto, quindi eseguire un controllo. >>> Impostare la temperatura dello scomparto raffreddatore su un livello più alto, quindi eseguire un nuovo controllo.

La temperatura nello scomparto raffreddatore e congelatore è troppo alta.

- La temperatura dello scomparto raffreddatore è impostata su un livello molto alto. >>> L'impostazione della temperatura dello scomparto raffreddatore ha un effetto sulla temperatura dello scomparto congelatore. Attendere che la temperatura delle parti interessate raggiunga il livello sufficiente modificando la temperatura degli scomparti del raffreddatore o del congelatore.
- Le porte sono state aperte frequentemente o tenute aperte a lungo. >>> Non aprire le porte con troppa frequenza.
- La porta potrebbe essere socchiusa. >>> Chiudere completamente la porta.
- Il prodotto potrebbe essere stato di recente collegato alla corrente, oppure al suo interno potrebbero essere stati recentemente aggiunti vari alimenti. >>> Non si tratta di un'anomalia. Al prodotto servirà più tempo per raggiungere la temperatura impostata, se collegato di recente, oppure nel caso in cui siano stati collocati nuovi alimenti al suo interno.
- Forse di recente sono state introdotte nel frigorifero grandi quantità di alimenti caldi. >>> Non mettere alimenti caldi direttamente dentro al frigorifero.

Vibrazioni o rumore.

- >>> Se il prodotto vibra quando viene spostato lentamente, regolare i supporti per equilibrarlo. Verificare inoltre che la superficie di appoggio sia sufficientemente resistente per supportarne il peso.

- Gli eventuali oggetti collocati sul prodotto potrebbero causare rumori. >>> Togliere gli eventuali elementi collocati sul prodotto.
- Il prodotto emette rumori, come ad esempio liquido che scorre, spruzzo, eccetera
- I principi operativi del prodotto prevedono flussi di liquido e di gas. >>> Ciò è normale e non è un'anomalia di funzionamento.

C'è un rumore, simile a un soffio, che proviene dal prodotto.

- Il prodotto si serve di una ventola per il processo di raffreddamento. Ciò è normale e non è un'anomalia di funzionamento.

Si è formata condensa sulle pareti interne del prodotto.

- Le temperature calde o umide aumenteranno la formazione di ghiaccio e la condensa. Ciò è normale e non è un'anomalia di funzionamento.
- Le porte sono state aperte frequentemente o tenute aperte a lungo. >>> Non aprire le porte con troppa frequenza; se la porta è aperta, chiuderla.
- La porta potrebbe essere socchiusa. >>> Chiudere completamente la porta.

Si è formata condensa sulla superficie esterna del prodotto o fra le porte.

- Le condizioni ambientali potrebbero essere umide, e ciò è normale. >>> La condensa si dissiperà alla riduzione dell'umidità.

L'interno emette cattivi odori.

- Il prodotto non è stato pulito regolarmente. >>> Pulire la superficie interna a intervalli regolari servendosi di spugna, acqua tiepida, e acqua gassata.
- Alcuni supporti e materiali da confezionamento potrebbero causare cattivi odori. >>> Servirsi di supporti confezionamento che non emettano cattivi odori.

- Gli alimenti sono stati collocati in supporti non sigillati. >>> Tenere gli alimenti in contenitori sigillati. I microrganismi possono diffondersi dagli alimenti non sigillati e causare cattivi odori.
- Rimuovere gli eventuali alimenti scaduti o rovinati dal prodotto.

La porta non si chiude correttamente.

- Le confezioni degli alimenti potrebbero bloccare la porta. >>> Trovare una nuova posizione per gli alimenti che bloccano le porte.
- Il prodotto non è in posizione verticale, appoggiato per terra. >>> Regolare i supporti per l'equilibrio del prodotto.
- La superficie non è piatta o resistente >>> Assicurarsi che la superficie sia piatta e sufficientemente resistente per sostenere il prodotto.

Il cassetto frutta e verdura è inceppato.

- Gli alimenti potrebbero entrare in contatto con la sezione superiore del cassetto. >>> Ri-organizzare gli alimenti nel cassetto.

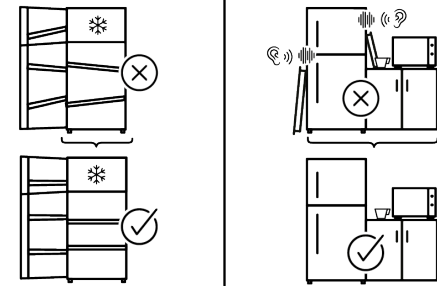
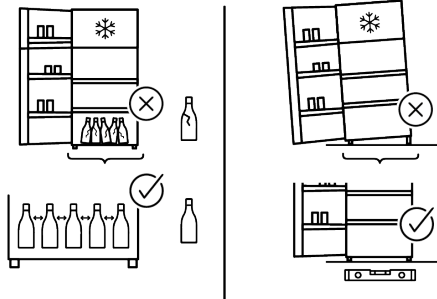
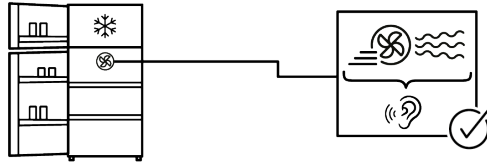
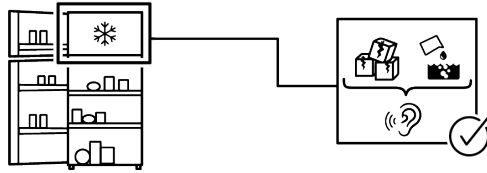
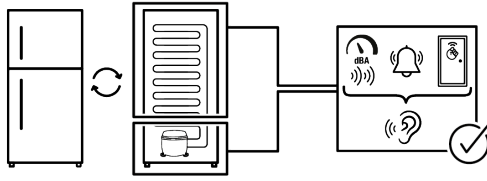
Temperatura sulla superficie del prodotto.

- Mentre il prodotto è in funzione, potrebbero generarsi temperature elevate tra le due porte, sui pannelli laterali e sulla griglia posteriore. Ciò è normale e non richiede interventi di manutenzione.

La ventola continua a funzionare quando la porta è aperta.

- La ventola potrebbe continuare a funzionare quando la porta del congelatore è aperta.

Se il problema persiste dopo aver seguito le istruzioni di questa sezione, contattare il fornitore o un Servizio di Assistenza autorizzato. Evitare in ogni caso di riparare il prodotto. Ciò è normale.



ESONERO DA RESPONSABILITA'

Alcuni guasti (semplici) possono essere gestiti adeguatamente dall'utente finale senza che si verifichino problemi di sicurezza o di utilizzo non sicuro, a condizione che vengano eseguiti entro i limiti e in conformità alle seguenti istruzioni (vedere la sezione "Autoriparazione").

Pertanto, se non diversamente autorizzato nella sezione sotto "Autoriparazione", per evitare problemi di sicurezza, le riparazioni dovranno essere eseguite da riparatori professionisti registrati. Un riparatore professionale registrato è un riparatore professionale a cui il produttore ha concesso l'accesso alle istruzioni e all'elenco delle parti di ricambio di questo prodotto secondo i metodi descritti negli atti legislativi ai sensi della direttiva 2009/125/CE.

Solo gli agenti di assistenza (cioè i riparatori professionali autorizzati) raggiungibili tramite il numero di telefono indicato nel manuale d'uso/scheda di garanzia o tramite il rivenditore autorizzato possono, tuttavia, fornire assistenza in base ai termini della garanzia. Pertanto, si ricorda che le riparazioni effettuate da riparatori professionisti (non autorizzati da) Bauknecht annulleranno la garanzia.

Autoriparazione

L'utente finale può eseguire l'autoriparazione dei seguenti pezzi di ricambio: maniglie, cerniere, vassoi, cestini e guarnizioni degli sportelli (è disponibile una lista aggiornata anche su <https://parts-selfservice.europeanappliances.com> partire dal 1° marzo 2021).

Inoltre, per garantire la sicurezza del prodotto e prevenire il rischio di gravi lesioni, l'autoriparazione menzionata deve essere eseguita seguendo le istruzioni contenute nel manuale d'uso per l'autoriparazione o disponibili su [\[peanappliances.com\]\(https://parts-selfservice.europeanappliances.com\). Per la sicurezza dell'utente, prima di tentare qualsiasi riparazione, staccare la spina del prodotto.](https://parts-selfservice.euro-</p></div><div data-bbox=)

I tentativi di riparazione da parte degli utenti finali per parti non incluse in tale elenco e/o non seguendo le istruzioni contenute nei manuali d'uso per l'autoriparazione o disponibili su <https://parts-selfservice.europeanappliances.com>, potrebbero causare problemi di sicurezza non imputabili a Bauknecht e invalideranno la garanzia del prodotto.

Pertanto, si raccomanda vivamente agli utenti finali di astenersi dal tentare di effettuare riparazioni che non rientrano nell'elenco dei pezzi di ricambio indicati, rivolgendosi in questi casi a riparatori professionali autorizzati o registrati. Al contrario, tali tentativi di riparazione da parte degli utenti finali potrebbero comportare problemi di sicurezza, danneggiare il prodotto e causare successivamente incendi, inondazioni, elettrocuzione e gravi lesioni personali.

A titolo esemplificativo, ma non esaustivo, le seguenti riparazioni devono essere affidate a riparatori professionisti autorizzati o registrati: compressore, circuito di raffreddamento, scheda principale, scheda inverter, scheda display, ecc.

Il produttore/venditore non può essere ritenuto responsabile in caso di mancata osservanza di quanto sopra da parte degli utenti finali.

La disponibilità dei pezzi di ricambio del frigorifero acquistato è di 10 anni. Durante questo periodo, i pezzi di ricambio originali saranno disponibili per il corretto funzionamento del frigorifero.

La durata minima della garanzia del frigorifero acquistato è di 24 mesi.

Questo prodotto è dotato di una sorgente luminosa di classe energetica "G".

La sorgente luminosa in questo prodotto deve essere sostituita solo da un riparatore professionista.