

DAILY REFERENCE GUIDE



THANK YOU FOR BUYING A WHIRLPOOL PRODUCT. In order to receive a more complete assistance, please register your appliance on: www.whirlpool.eu/register

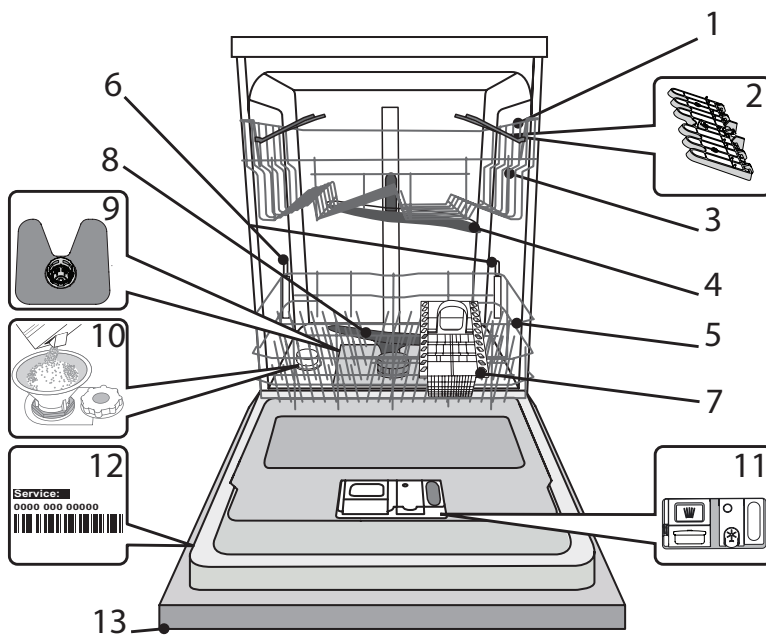
PLEASE SCAN THE QR CODE ON YOUR APPLIANCE IN ORDER TO HAVE MORE DETAILED INFORMATION



Before using the appliance carefully read Safety Instructions guide.

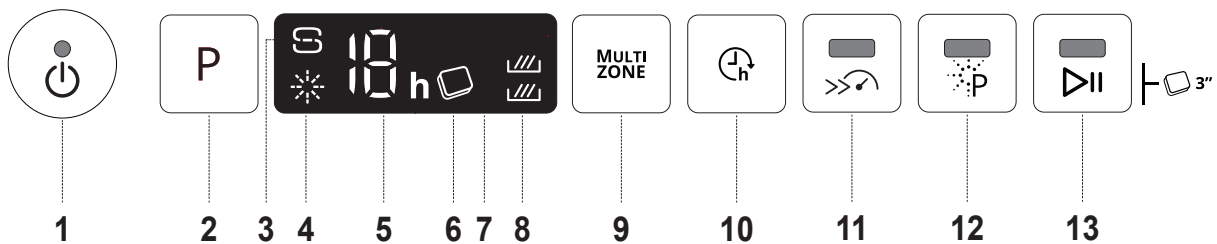
PRODUCT DESCRIPTION

APPLIANCE



1. Upper rack
2. Foldable flaps
3. Upper rack height adjuster
4. Upper spray arm
5. Lower rack
6. Power Clean® support
7. Cutlery basket
8. Lower spray arm
9. Filter Assembly
10. Salt reservoir
11. Detergent and Rinse Aid dispensers
12. Rating plate
13. Control panel

CONTROL PANEL



1. ON-OFF/Reset button with indicator light
2. Program selection button
3. Salt refill indicator light
4. Rinse Aid refill indicator light
5. Program number and delay time indicator
6. Tablet indicator light
7. Display
8. Multizone indicator lights
9. Multizone button
10. Delay button
11. Turbo button with indicator light
12. Power Clean® button with indicator light
13. START/Pause button with indicator light / Tab

FIRST TIME USE

SALT, RINSE AID AND DETERGENT


ADVICE REGARDING THE FIRST TIME USE

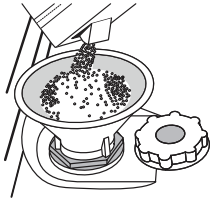
After installation, remove the stoppers from the racks and the retaining elastic elements from the upper rack.

FILLING THE SALT RESERVOIR

The use of salt prevents the formation of LIMESCALE on the dishes and on the machine's functional components.

- It is mandatory that **THE SALT RESERVOIR NEVER BE EMPTY.**
- It is important to set the water hardness.

The salt reservoir is located in the lower part of the dishwasher (see *PRODUCT DESCRIPTION*) and must be filled when the **SALT REFILL indicator light**  in the control panel is lit.



1. Remove the lower rack and unscrew the reservoir cap (anticlockwise).
2. **Only the first time you do this: fill the salt reservoir with water.**
3. Position the funnel (see figure) and fill the salt reservoir right up to its edge (approximately 1 kg); it is not unusual for a little water to leak out.
4. Remove the funnel and wipe any salt residue away from the opening.

Make sure the cap is screwed on tightly, so that no detergent can get into the container during the wash program (this could damage the water softener beyond repair).

Whenever you need to add salt, it is mandatory to complete the procedure before the beginning of the washing cycle to avoid corrosion.

SETTING THE WATER HARDNESS

To allow the water softener to work in a perfect way, it is essential that the water hardness setting is based on the actual water hardness in your house. This information can be obtained from your local water supplier.

The factory sets the default value for the water hardness.

- Switch on the appliance by pressing the **ON/OFF** button.
- Switch off the appliance by pressing the **ON/OFF** button.
- Hold down button **P** for 5 seconds, until you hear a beep.
- Switch on the appliance by pressing the **ON/OFF** button.
- The current selection level number and the salt indicator light both flash.
- Press button **P** to select the desired hardness level (see *WATER HARDNESS TABLE*).

Water Hardness Table				
Level		°dH German degrees	°fH French degrees	°Clark English degrees
1	Soft	0 - 6	0 - 10	0 - 7
2	Medium	7 - 11	11 - 20	8 - 14
3	Average	12 - 16	21 - 29	15 - 20
4	Hard	17 - 34	30 - 60	21 - 42
5	Very hard	35 - 50	61 - 90	43 - 62

- Switch off the appliance by pressing the **ON/OFF** button.

Setting is complete!

As soon as this procedure is complete, run a program without loading.


Only use salt that has been specifically designed for dishwashers.

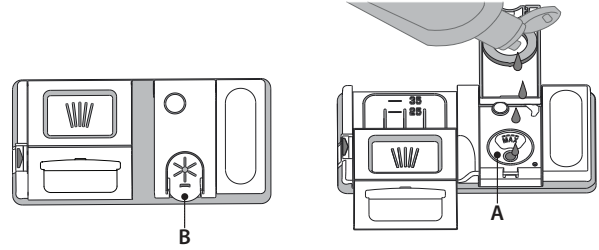
After the salt has been poured into the machine, the SALT REFILL indicator light switches off.

If the salt container is not filled, the water softener and the heating element may be damaged as a result of limescale accumulation.

Using of Salt is recommended with any type of dishwasher detergent.

FILLING THE RINSE AID DISPENSER

Rinse aid makes dish DRYING easier. The rinse aid dispenser **A** should be filled when the **RINSE AID REFILL indicator light**  in the control panel is lit.



1. Open the dispenser **B** by pressing and pulling up the tab on the lid.
 2. Pour in the rinse aid (max.110 ml), making sure it does not overflow from the dispenser. If this happens, clean the spill immediately with a dry cloth.
 3. Press the lid down until you hear a click to close it.
- NEVER pour the rinse aid directly into the appliance tub.**

ADJUSTING THE DOSAGE OF RINSE AID

If you are not completely satisfied with the drying results, you can adjust the quantity of rinse aid used.

- Switch the dishwasher on using the **ON/OFF** button.
- Switch it off using the **ON/OFF** button.
- Press button **P** three times - a beep will be heard.
- Switch it on using the **ON/OFF** button.
- The current selection level number and rinse aid indicator light flash.
- Press button **P** to select the level of rinse aid quantity to be supplied.
- Switch it off using the **ON/OFF** button

Setting is complete!

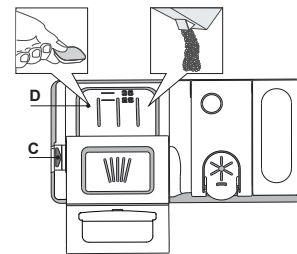
If the rinse aid level is set to ZERO (ECO), no rinse aid will be supplied. The LOW RINSE AID indicator light will not be lit if you run out of rinse aid.

A maximum of 5 levels can be set according to the dishwasher model. The factory setting is specific to the model, please follow instruction above to check this for your machine.

- If you see bluish streaks on the dishes, set a low number (1-2).
- If there are drops of water or limescale marks on the dishes, set a mid-range number (3-4).

FILLING THE DETERGENT DISPENSER

To open the detergent dispenser use the opening device C. Introduce the detergent into the dry dispenser D only. Place the amount of detergent for pre-washing directly inside the tub.



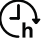









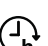




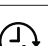











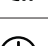


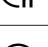

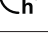


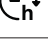
1. When measuring out the detergent refer to the mentioned earlier information to add the proper quantity. Inside the dispenser **D** there are indications to help the detergent dosing.
2. Remove detergent residues from the edges of the dispenser and close the cover until it clicks.
3. Close the lid of the detergent dispenser by pulling it up until the closing device is secured in place.

The detergent dispenser automatically opens up at the right time according to the program.

If all-in-one detergents are used, we recommend using the **TABLET** button, because it adjusts the program so that the best washing and drying results are always achieved.

Usage of detergent not designed for dishwashers may cause malfunction or damage to the appliance.

PROGRAMS TABLE

Program	Drying phase	Natural-Dry	Available options *)	Duration of wash program (h:min)**)	Water consumption (litres/cycle)	Energy consumption (kWh/cycle)
1. Eco ECO 50°	✓	✓	   	3:10	6.5	0.85
2. 6 th Sense®  50-60°	✓	✓	   	1:25 - 3:00	7.0 - 14.0	0.90 - 1.40
3. Intensive  65°	✓	✓	   	2:50	14.0	1.50
4. Fast Wash&Dry  50°	✓	✓	  	1:25	11.5	1.10
5. Crystals  45°	✓	✓	  	1:40	11.5	1.20
6. Rapid 30'  50°	-	-	  	0:30	9.0	0.50
7. Silent  50°	✓	✓	 	3:30	15.0	1.15
8. Sanitizing  65°	✓	-		1:40	10.0	1.30
9. Prewash  -	-	-	 	0:12	4.5	0.01
10. Self-Clean  65°	-	-		1:35	14.0	1.15

ECO program data is measured under laboratory conditions according to European Standard EN 60436:2020.

Note for Test Laboratories:

For information on comparative EN testing conditions, please send an email to the following address: dw_test_support@europeanappliances.com

Pre-treatment of the dishes is not needed before any of the programs.

*) Not all options can be used simultaneously.

***) Values given for programs other than the program Eco are indicative only. The actual time may vary depending on many factors such as temperature and pressure of the incoming water, room temperature, amount of detergent, quantity and type of load, load balancing, additional selected options and sensor calibration. The sensor calibration can increase program duration up to 20 min.

PROGRAMS DESCRIPTION

Instructions on wash cycle selection.

1 ECO

Eco programme is suitable to clean normally soiled tableware, that for this use, it is the most efficient programme in terms of its combined energy and water consumption, and that it is used to assess compliance with the EU Ecodesign legislation.

2 6th SENSE®

For normally soiled dishes with dried food residues. Senses the level of soiling on the dishes and adjusts the program accordingly. When the sensor is detecting the soil level an animation appears in the display and the cycle duration is updated.

3 INTENSIVE

Program recommended for heavily soiled crockery, especially suitable for pans and saucepans (not to be used for delicate items).

4 FAST WASH&DRY

Normally soiled crockery. Everyday cycle, that ensures optimal cleaning and drying performance in shorter time.

5 CRYSTALS

Program for delicate items, which are more sensitive to high temperatures, for example glasses and cups.

6 RAPID 30'

Program to be used for half load of lightly-soiled dishes with no dried food residues. Does not include drying phase.

7 SILENT

Suitable for night-time operation of the appliance. Ensures optimal cleaning and drying performance with the lowest noise emission.

8 SANITIZING

Normally or heavily soiled crockery, with additional antibacterial wash. Can be used to perform maintenance of the dishwasher.

9 PREWASH

Use to refresh crockery planned to be washed later. No detergent to be used with this program.

10 SELF-CLEAN

Program to be used to perform maintenance of the dishwasher, to be carried out only when the dishwasher is EMPTY using specific detergents designed for dishwasher maintenance

Notes:

Please note that cycle *Rapid 30'* is dedicated for lightly soiled dishes.

OPTIONS AND FUNCTIONS

OPTIONS can be selected directly by pressing the corresponding button (see CONTROL PANEL).

If an option is not compatible with the selected program see PROGRAMS TABLE, the corresponding LED flashes rapidly 3 times and beeps will sound. The option will not be enabled.

MULTI ZONE MULTIZONE

If there are not many dishes to be washed, a half loading may be used in order to save water, electricity and detergent. Select the program and then press the MULTIZONE button: the symbol of the chosen rack will appear on the display. By default the appliance washes dishes in all racks.



To wash only the specific rack, press this button repeatedly: shown on the display (only lower rack)



shown on the display (only upper rack)



shown on the display (option is OFF and the appliance will wash dishes in all racks).

Remember to load the upper or lower rack only, and to reduce the amount of detergent accordingly. If upper rack is removed, please apply detergent directly to tub instead of detergent dispenser.



DELAY

The start time of the program may be delayed for a period of time between **1** and **12** hours.

1. Press the DELAY button: the corresponding «h» symbol appears on the display; each time you press the button, the time (1h, 2h, etc. up to max. 12h) from the start of the selected wash cycle will be increased.
2. Select the wash program, press the START/PAUSE button and within 4 seconds close the door: the timer will begin counting down.
3. Once this time has elapsed, the indicator light «h» switches off and the wash cycle begins.

To adjust the delay time and select a shorter period of time, press the DELAY button. To cancel it, press the button repeatedly until the selected delayed start indicator light «h» switches off.

The DELAY function cannot be set once a wash cycle has been started.



TURBO

This option can be used to reduce the duration of the main programs while maintaining the same washing and drying performance levels.

After selecting the program, press the TURBO button and the indicator light will switch on. To deselect the option, press the same button again.



POWER CLEAN®

Thanks to the additional power jets this option provides a more intensive and powerful wash in the lower rack, in the specific area. This option is recommended for washing pots and casseroles. Press this button to activate POWER CLEAN (the indicator lights up).



TABLET (Tab)

This setting allows you to optimize the performance of the program according to the type of detergent used. Press the START/PAUSE button for 3 seconds (the corresponding symbol will light up) if you use combined detergents in tablet form (rinse aid, salt and detergent in 1 dose).

If you use powder or liquid detergent, this option should be off.



OPERATION INDICATOR

A LED light projected on the floor indicates that the dishwasher is working. One of the following operating modes can be selected:

- a) Disabled function.
- b) When the cycle starts the light goes on for few seconds, stays off during the cycle and flashes at the end of the cycle.
- c) The light stays on during the cycle and flashes at the end of the cycle (default mode).

If the delayed start was set, the light goes on either for the first few seconds or the entire duration of the countdown, based on whether mode b) or c) was set.

The light goes off every time the door is opened. To select the mode you prefer, switch on the machine, hold down button **P** until one of the three letters appears on the display, press button **P** until you reach the desired letter (or mode), hold down button **P** to confirm the selection.

Note: If NaturalDry is active and it opens the door, then Operation Indicator will not flash at the end of cycle.

NaturalDry

NaturalDry is a convection drying system which automatically opens the door during/after drying phase to ensure exceptional drying performance every day. Door opens at the temperature that is safe to your kitchen furniture, thus door will not be opened when the option of TURBO is on.

As additional steam protection, special designed protection foil is added together with the dishwasher. To see how to mount protection foil please refer to (INSTALLATION GUIDE).

NaturalDry functionality could be disabled by the user as follows:

1. Go to the Dishwasher software menu pressing and holding **P** button (6 sec).
2. You are currently in Light Control Menu (please refer to OPERATION INDICATOR description), if you don't want to change anything please press and hold **P** button (until one of the two letters appears on the display).
3. You switched to NaturalDry Control Menu, you could change status of NaturalDry functionality by pressing **P** button:
E – enabled **d** – disabled

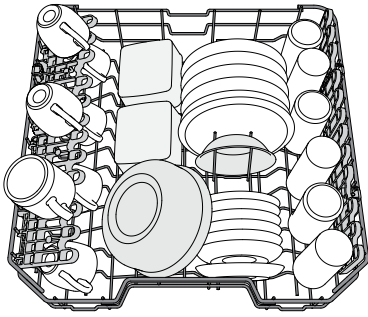
To confirm the change and exit from the Control Menu please press and hold **P** button (3 sec).

WATER RECYCLING SYSTEM

This dishwasher allows you to save up to 3 litres of water using the Eco program. Saved water is filtered and stored in a dedicated tank and will be reused for subsequent Eco program. For hygienic reasons, if the Eco cycle is not used for three or more days it is strongly recommended to perform cleaning cycle of the dishwasher. It can be done using Self-Clean cycle (see program table).

LOADING THE RACKS

UPPER RACK



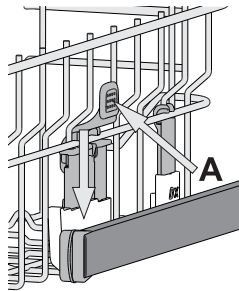
(loading example for the upper rack)

Load delicate and light dishes: glasses, cups, saucers, low salad bowls.

ADJUSTING THE HEIGHT OF THE UPPER RACK

The height of the upper rack can be adjusted: high position to place bulky crockery in the lower basket and low position to make the most of the tip-up supports by creating more space upwards and avoid collision with the items loaded into lower rack.

The upper rack is equipped with a **Upper Rack height adjuster** (see figure), without pressing the levers, lift it up by simply holding the rack sides, as soon as the rack is stable in its upper position. To restore to the lower position, press the levers **A** at the sides of the rack and move the basket downwards.



We strongly recommend that you do not adjust the height of the rack when it is loaded.

NEVER raise or lower the basket on one side only.

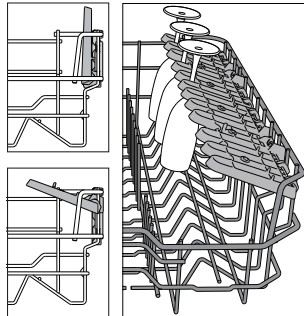
FOLDABLE FLAPS WITH ADJUSTABLE POSITION

The side foldable flaps can be fold or unfold to optimize the arrangement of crockery inside the rack.

Wine glasses can be placed safely in the foldable flaps by inserting the stem of each glass into the corresponding slots.

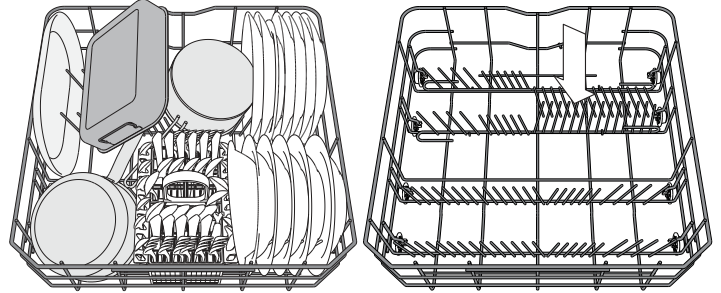
Depending on the model:

- to unfold the flaps there is needed to slide it up and rotate or release it from the snaps and pull it down.
- to fold the flaps there is needed to rotate it and slide flaps down or pull it up and attach flaps to the snaps.



LOWER RACK

For pots, lids, plates, salad bowls, cutlery etc. Large plates and lids should ideally be placed at the sides to avoid interferences with the spray arm. The lower rack has tip-up supports which can be used in a vertical position when arranging plates or in a horizontal position (lower) to load pans and salad bowls easily.



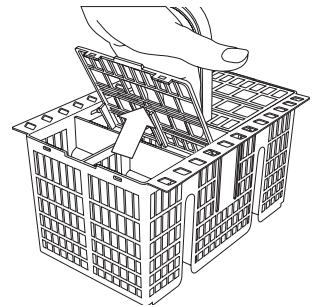
(loading example for the lower rack)

CUTLERY BASKET

It is fitted with top grids for improved cutlery arrangement.

It must only be positioned at the front of the lower rack.

Knives and other utensils with sharp edges must be placed in the cutlery basket with the points facing downwards or they must be positioned horizontally in the tip-up compartments on the upper rack.



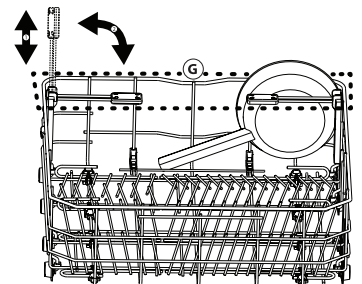
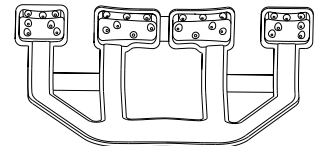
POWER CLEAN®

Power Clean® uses the special water jets in the rear of cavity to wash more intensively the high dirty items. The lower rack has a Space Zone, a special pull-out support in the rear of the rack that can be used to support frying pans or baking pans in upright position, thus taking up less space.

Placing the pots/casseroles faced to the Power Clean® component please activate the **POWER CLEAN®** on the panel.

How to use Power Clean®:

1. Adjust the Power Clean® area **G** folding down the rear plate holders to load pots.
2. Load pots and casseroles inclined vertically in Power Clean® area. Pots have to be inclined towards the power water jets.



DAILY USE

1. CHECK WATER CONNECTION

Check that the dishwasher is connected to the water supply and that the tap is open.

2. SWITCH ON THE DISHWASHER

Open the door and press the **ON/OFF** button.

3. LOAD THE RACKS (see *LOADING THE RACKS*).

4. FILLING THE DETERGENT DISPENSER

5. CHOOSE THE PROGRAM AND CUSTOMISE THE CYCLE

Select the most appropriate program in accordance with the type of crockery and its soiling level (see *PROGRAMS DESCRIPTION*) by pressing the **P** button.

Select the desired options (see *OPTIONS AND FUNCTIONS*).

6. START

Start the wash cycle by pressing **START/Pause** button (led is lit) and closing the door within 4 sec. When the program starts you hear a single beep. If the door was not closed within 4sec., the alarm sound will be played. In this case, open the door, press **START/Pause** button and close the door again within 4 sec.

7. END OF WASH CYCLE

The end of the wash cycle is indicated by beeps and by the flashing of the wash cycle number on the display. Open the door and switch off the appliance by pressing the **ON/OFF** button.

Wait for a few minutes before removing the crockery - to avoid burns. Unload the racks, beginning with the lower one.

The machine will switch off automatically during certain extended periods of inactivity, in order to minimise electricity consumption. If the crockery is only lightly soiled or if it has been rinsed with water before being placed in the dishwasher, reduce the amount of detergent used accordingly.

MODIFYING A RUNNING PROGRAM

If a wrong program was selected, it is possible to change it, provided that it has only just begun: open the door, press and hold the **ON/OFF** button, the machine will switch off.

Switch the machine back on using the **ON/OFF** button and select the new wash cycle and any desired options; Start the wash cycle by pressing **START/Pause** button (led is lit) and closing the door within 4 sec.

ADDING EXTRA CROCKERY

Without switching off the machine, open the door (**START/Pause** led starts blinking) (**be ware of HOT steam!**) and place the crockery inside the dishwasher. Press the **START/Pause** button and close the door within 4 sec., the cycle will resume from the point at which it was interrupted.

ACCIDENTAL INTERRUPTIONS

If the door is opened during the wash cycle, or if there is a power cut, the cycle stops. Press the **START/Pause** button and close the door within 4 sec., the cycle will resume from the point at which it was interrupted.

ADVICE AND TIPS

TIPS

Before loading the baskets, remove all food residues from the crockery and empty the glasses. **You do not need to rinse beforehand under running water.**

Arrange the crockery so that it is held in place firmly and does not tip over; and arrange the containers with the openings facing downwards and the concave/convex parts placed obliquely, thus allowing the water to reach every surface and flow freely.

Warning: lids, handles, trays and frying pans do not prevent the sprayer arms from rotating.

Place any small items in the cutlery basket.

Very soiled dishes and pans should be placed in the lower basket because in this sector the water sprays are stronger and allow a higher washing performance.

After loading the appliance, make sure that the sprayer arms can rotate freely.

UNSUITABLE CROCKERY

- Wooden crockery and cutlery.
- Delicate decorated glasses, artistic handicraft and antique crockery. Their decorations are not resistant.
- Parts in synthetic material which do not withstand high temperatures.
- Copper and tin crockery.
- Crockery soiled with ash, wax, lubricating grease or ink.

The colours of glass decorations and aluminium/silver pieces can change and fade during the washing process. Some types of glass (e.g. crystal objects) can become opaque after a number of wash cycles too.

DAMAGE TO GLASS AND CROCKERY

- Only use glasses and porcelain guaranteed by the manufacturer as dishwasher safe.
- Use a delicate detergent suitable for crockery
- Collect glasses and cutlery from the dishwasher as soon as the wash cycle is over.

TIPS ON ENERGY SAVING

- When the household dishwasher is used according to the manufacturer's instructions, **washing tableware in a dishwasher usually consumes less energy and water than hand dishwashing.**
- In order to maximize dishwasher efficiency it is recommended to **initiate the wash cycle once dishwasher is fully loaded.** Loading the household dishwasher up to the capacity indicated by the manufacturer will contribute to energy and water savings. Information on correct loading of tableware can be found in Loading chapter. In case of partial loading it is recommended to use dedicated wash options if available (Half load/ Zone Wash, Multizone), filling up only selected racks. Incorrect loading or overloading the dishwasher may increase resources usage (such as water, energy and time, as well as increase noise level), reducing cleaning and drying performance.
- Manual pre-rinsing of tableware items leads to increased water and energy consumption and is not recommended.

HYGIENE

To avoid odour and sediment which can be accumulated in the dishwasher **please run a high temperature program at least one a month.** Use a tea spoon of detergent and run it without the loading to clean your appliance.

CARE AND MAINTENANCE

CLEANING THE FILTER ASSEMBLY

Regularly clean the filter assembly so that the filters do not clog and that the waste water flows away correctly.

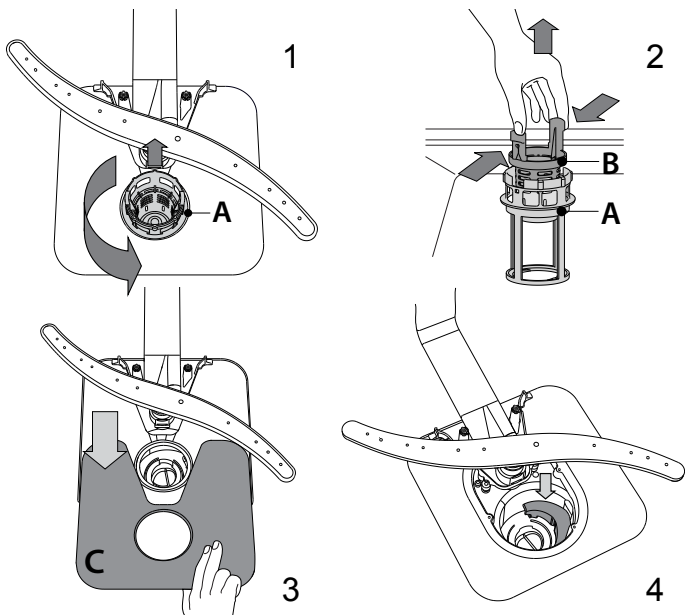
Using dishwasher with clogged filters or foreign objects inside filtration system or sprayarms may cause unit malfunction resulting in lose of performance, noisy work or higher resources usage.

The filter assembly consists of three filters which remove food residues from the washing water and then recirculate the water.

The dishwasher must not be used without filters or if the filter is loose.

At least once per month or after each 30 cycles, check the filter assembly and if necessary clean it thoroughly under running water, using a non-metallic brush and following the instructions below:

1. Turn the cylindrical filter **A** in an anti-clockwise direction and pull it out (Fig 1).
2. Remove the cup filter **B** by exerting a slight pressure on the side flaps (Fig 2).
3. Slide out the stainless-steel plate filter **C** (Fig 3).
4. In case you find foreign objects (such as broken glass, porcelain, bones, fruit seeds etc.) **please remove them carefully**.
5. Inspect the trap and remove any food residues. **NEVER REMOVE** the wash-cycle pump protection (black detail) (Fig 4).



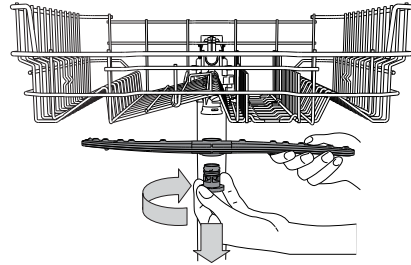
After cleaning the filters, re-place the filter assembly and fix it in position correctly; this is essential for maintaining the efficient operation of the dishwasher.

CLEANING THE WATER INLET HOSE

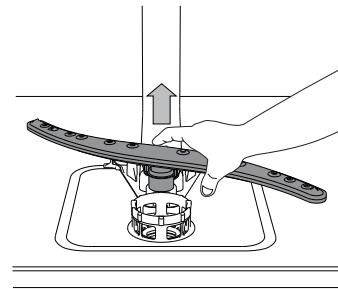
If the water hoses are new or have not been used for an extended period of time, let the water run to make sure it is clear and free of impurities before performing the necessary connections. If this precaution is not taken, the water inlet could become blocked and damage the dishwasher.

CLEANING THE SPRAY ARMS

On occasions, food residue may become encrusted onto the spray arms and block the holes used to spray the water. It is therefore recommended that you check the arms from time to time and clean them with a small non-metallic brush.



To remove the upper spray arm, turn the plastic locking ring in an anti-clockwise direction. The upper spray arm should be replaced so that the side with the greater number of holes is facing upwards.



The lower spray arm may be removed by pulling it upwards.

WATER SOFTENING SYSTEM

Water softener automatically reduces water hardness, consequently preventing scale buildup on heater, contributing also to better cleaning efficiency.

This system regenerates itself with salt, therefore it is required to refill salt container when empty.



Frequency of regeneration depends on water hardness level setting - regeneration takes place once per **8** Eco cycles with water hardness level set to **3**.

Regeneration process starts in final rinse and finishes in drying phase, before cycle ends.

- Single regeneration consumes: ~3.5L of water;
- Takes up to 5 additional minutes for the cycle;
- Consumes below 0.005kWh of energy.

TROUBLESHOOTING

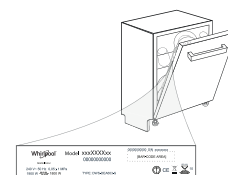
In case your dishwasher doesn't work properly, check if the problem can be solved by going through the following list. For other errors or issues please contact authorized After-sales Service which contact details can be found in the warranty booklet. The manufacturer ensures the availability of spare parts for at least 10 years after production date of this appliance.

PROBLEMS	POSSIBLE CAUSES	SOLUTIONS
 Salt indicator is lit	Salt reservoir is empty. (After refill the salt indicator may remain lit for several wash cycles).	Refill reservoir with salt (for more information - see page 2). Adjust water hardness - see table, page 2.
 Rinse aid indicator is lit	Rinse aid dispenser is empty. (After refill the rinse aid indicator may remain lit for several wash cycles).	Refill dispenser with rinse aid (for more information - see page 2).
The dishwasher won't start or does not respond to commands.	The appliance has not been plugged in properly.	Insert the plug into the socket.
	Power outage.	For safety reasons, dishwasher will not re-start automatically when power returns. Open dishwasher door, press START/Pause button and close the door within 4 seconds.
	The dishwasher door is not closed. NaturalDry pin is not pulled in.	Vigorously push the door until you hear the "click".
	Cycle is interrupted by door opening for more than 4 seconds.	Press START/Pause and close the door within 4 seconds.
It does not respond to commands. Display shows: 9 or 12 and On/Off LED is blinking rapidly		Switch off the appliance by pressing the ON/OFF button, switch it back on after approximately one minute and restart the program. If problem persists, unplug the appliance for 1 minute, then plug it back in.
The dishwasher won't drain. Display shows: 3 and On/Off LED is blinking rapidly	The wash cycle has not finished yet.	Wait until the wash cycle finishes.
	The drain hose is bent.	Check that the drain hose is not bent (see <i>INSTALLATION INSTRUCTION</i>).
	The sink drain pipe is blocked.	Clean the sink drain pipe.
	The filter is clogged up with food residues.	Clean the filter (see <i>CLEANING THE FILTER ASSEMBLY</i>).
The dishwasher makes excessive noise.	The dishes are rattling against each	Position the crockery correctly (see <i>LOADING THE RACKS</i>).
	An excessive amount of foam has been produced.	The detergent has not been measured out correctly or it is not suitable for use in dishwashers (see <i>FILLING THE DETERGENT DISPENSER</i>). Restart the current cycle by switching OFF the dishwasher, then switch it on again, select a new program, press START/Pause and close the door within 4 seconds. Please do not add any detergent.
The dishes are not clean.	The crockery has not been arranged properly.	Arrange the crockery correctly (see <i>LOADING THE RACKS</i>).
	The spray arms cannot rotate freely, being hindered by the dishes.	Arrange the crockery correctly (see <i>LOADING THE RACKS</i>).
	The wash cycle is too gentle.	Select an appropriate wash cycle (see <i>PROGRAMS TABLE</i>).
	An excessive amount of foam has been produced.	The detergent has not been measured out correctly or it is not suitable for use in dishwashers (see <i>FILLING THE DETERGENT DISPENSER</i>).
	The cap on the rinse aid compartment has not been shut correctly.	Make sure the cap of the rinse aid dispenser is closed.
	The filter is soiled or clogged.	Clean the filter assembly (see <i>CARE AND MAINTENANCE</i>).
	There is no salt.	Fill the salt reservoir (see <i>FILLING THE SALT RESERVOIR</i>).
The dishwasher does not fill the water. Display shows: H , 6 and On/Off LED is blinking rapidly	No water in the water supply or the tap is closed.	Make sure there is water in the water supply or the tap running.
	The inlet hose is bent.	Make sure the inlet hose is not bent (see <i>INSTALLATION</i>) reprogram the dishwasher and reboot.
	The sieve in the water inlet hose is clogged; it is necessary to clean it	After having carried out the verification and cleaning, turn off and turn on the dishwasher and restart a new program.
Dishwasher finishes the cycle prematurely. Display shows: 15 and On/Off LED is blinking rapidly	Drain hose positioned too low or siphoning into home sewage system.	Check if end of drain hose is placed at correct height (see <i>INSTALLATION</i>). Check for siphoning into home sewage system, install air admittance valve if necessary.
	Air in water supply.	Check water supply for leaks or other issues letting air inside.

Policies, standard documentation, ordering of spare parts and additional product information can be found by:

- Using QR code on your product.
- Visiting our website docs.whirlpool.eu/docs and parts-selfservice.europeanappliances.com
- Alternatively, **contact our After-sales Service** (See phone number in the warranty booklet).
When contacting our After-sales Service, please state the codes provided on your product's identification plate.

The model information can be retrieved using the QR-Code reported in the energy label. The label also includes the model identifier that can be used to consult the portal of the registry at <https://eprel.ec.europa.eu>.



400020009316

07/2024 jk - Xerox Fabriano



PŘÍRUČKA PRO KAŽDODENNÍ POUŽITÍ



DĚKUJEME VÁM, ŽE JSTE SI ZAKOUPILI VÝROBEK ZNAČKY WHIRLPOOL.

Pro získání komplexnější asistence zaregistrujte prosím svůj spotřebič na: www.whirlpool.eu/register

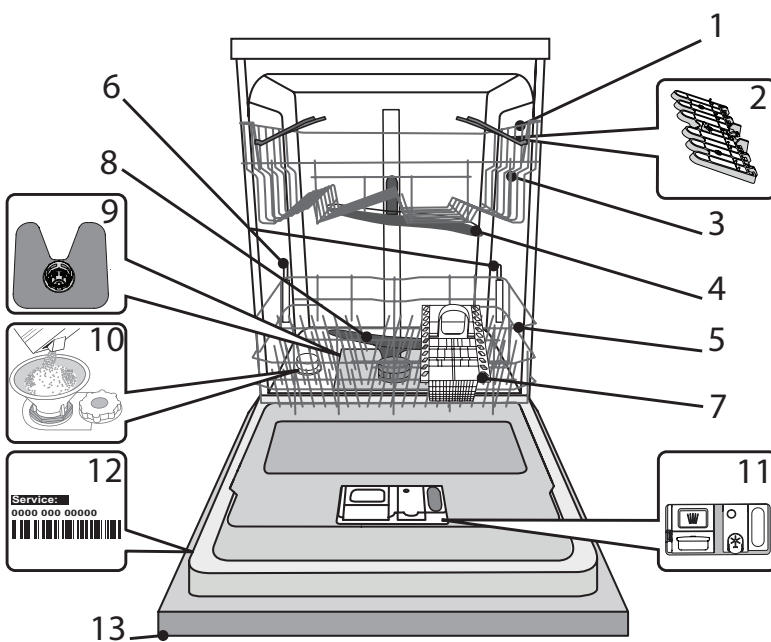
PRO ZÍSKÁNÍ PODROBNĚJŠÍCH INFORMACÍ NASKENUJTE PROŠÍM QR KOD NA VAŠEM SPOTŘEBIČI.



Před použitím spotřebiče si pečlivě přečtěte Bezpečnostní pokyny.

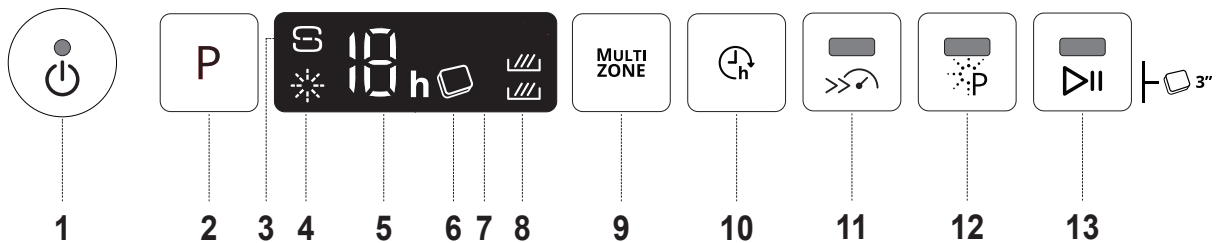
POPIS SPOTŘEBIČE

SPOTŘEBIČ



1. Horní koš
2. Sklopné klapky
3. Výškové nastavení horního koše
4. Horní ostříkovací rameno
5. Dolní koš
6. Podpora Power Clean®
7. Košík na příbory
8. Dolní ostříkovací rameno
9. Sestava filtru
10. Zásobník na sůl
11. Dávkače mycího prostředku a leštidla
12. Typový štítek
13. Ovládací panel

OVLÁDACÍ PANEĽ



1. Tlačítko „zapnout-vypnout/vynulovat“ s kontrolkou
2. Tlačítko volby programu
3. Kontrolka „Doplnění soli“
4. Kontrolka „Nedostatek leštidla“
5. Ukazatel čísla programu a indikátor doby zpoždění
6. Kontrolka „Prášek/Tableta“ (Tab)
7. Displej
8. Kontrolka „Multizone“
9. Tlačítko „Multizone“
10. Tlačítko „Odložený start“
11. Tlačítko „Turbo“ s kontrolkou
12. Tlačítko „Power Clean“ s kontrolkou
13. Tlačítko „SPUSTIT/Pauza“ s kontrolkou/ „Tableta“ (Tab)

PRVNÍ POUŽITÍ SŮL, LEŠTIDLO A MYCÍ PŘÍPRAVEK

RADY PRO PRVNÍ POUŽITÍ

Po instalaci odstraňte zarážky z košů a pružné upevňovací prvky z horního koše.

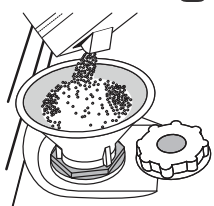
NAPLNĚNÍ ZÁSObNÍKU SOLI

Použití soli vede k předcházení usazování VODNÍHO KAMENE na nádobí a funkčních součástech myčky.

• **ZÁSObNÍK NA SŮL nesmí NIKDY ZŮSTAT PRÁZDNY.**

• Nastavení tvrdosti vody je důležité.

Zásobník na sůl se nachází ve spodní části myčky (viz **POPIS SPOTŘEBIČE**) a je nutné jej naplnit, když se na ovládacím panelu rozsvítí **kontrolka DOPLNĚNÍ SOLI** S.



1. Vytáhněte spodní koš a odšroubujte víčko zásobníku (proti směru hodinových ručiček).
2. **Následující kroky provádějte pouze při prvním použití: Naplňte zásobník soli vodou.**
3. Umístěte trychtýř (viz obrázek) a naplňte zásobník solí až po okraj (přibližně 1 kg); odtékání určitého množství vody je přítom normální.
4. Vyměňte trychtýř a otřete z otvoru přebytečnou sůl.

Ujistěte se, že je víčko pevně dotaženo, aby se do zásobníku nedostal při mytí žádný mycí prostředek (to by mohlo vést k neopravitelnému poškození změkčovače vody).

Pokud potřebujete doplnit sůl, je nutné tento proces dokončit před začátkem mycího cyklu, aby se předešlo korozi.

NASTAVENÍ TVRDOSTI VODY

Abyste mohli změkčovač vody řádně fungovat, je nezbytné nastavit tvrdost vody podle skutečných hodnot platných pro vodu ve vašem domě. Informaci o tvrdosti vody v řadě získáte od místního dodavatele vody.

Tovární nastavení určuje implicitní nastavení hodnoty pro tvrdost vody.

- Zapněte spotřebič stiskem tlačítka „ZAPNOUT/VYPNOUT“.
- Vypněte spotřebič stiskem tlačítka „ZAPNOUT/VYPNOUT“.
- Podržte tlačítko **P** stisknuté po dobu 5 sekund, dokud neuslyšíte pípnutí.
- Zapněte spotřebič stiskem tlačítka „ZAPNOUT/VYPNOUT“.
- Aktuální nastavení úrovně a kontrolka soli blikají.
- Stiskněte tlačítko **P** pro výběr požadované úrovně tvrdosti vody (viz **TABULKA TVRDOSTI VODY**).

Tabulka tvrdosti vody				
Stupeň	°dH Německé stupně	°fH Francouzské stupně	°Clark Anglické stupně	
1	Měkká	0 - 6	0 - 10	0 - 7
2	Střední	7 - 11	11 - 20	8 - 14
3	Středně tvrdá	12 - 16	21 - 29	15 - 20
4	Tvrdá	17 - 34	30 - 60	21 - 42
5	Velmi tvrdá	35 - 50	61 - 90	43 - 62

- Vypněte spotřebič stiskem tlačítka „ZAPNOUT/VYPNOUT“.

Nastavení je hotové!

Po dokončení tohoto úkonu spusťte mycí program naprázdno (bez nádobí).

Používejte výhradně sůl určenou pro myčky nádobí.

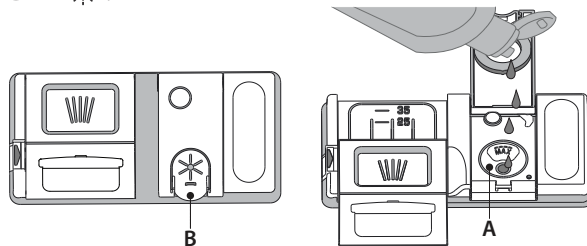
Poté, co do myčky nasypete sůl, zhasne kontrolka „DOPLNĚNÍ SOLI“.

Pokud není zásobník na sůl doplněn, může to vést k poškození změkčovače vody a topného tělesa v důsledku nahromadění vodního kamene.

Sůl doporučujeme používat s každým typem prostředku na mytí nádobí.

DOPLNĚNÍ DÁVKOVAČE LEŠTIDLA

Díky leštidlu nádobí lépe schne. Zásobník leštidla **A** by měl být doplněn pokaždé, když se na ovládacím panelu rozsvítí **kontrolka „NEDOSTATEK LEŠTIDLA“** ✨.



1. Stlačením a zatažením páčky na víku zásobník **B** otevřete.
2. Opatrně nalijte leštadlo až po maximální hodnotu (110ml) vyznačenou ryskou v hrdle zásobníku – zabraňte jeho přelití. Pokud dojde k rozlití, setřete tekutinu okamžitě suchým hadrem.
3. Stiskněte víčko, dokud se s cvaknutím nezavře.
NIKDY nelijte leštadlo přímo do myčky.

NASTAVENÍ DÁVKOVÁNÍ LEŠTIDLA

Nejste-li plně spokojeni s výsledky sušení, můžete nastavit množství použitého leštidla.

- Zapněte spotřebič stiskem tlačítka „ZAPNOUT/VYPNOUT“.
- Vypněte jej stiskem tlačítka „ZAPNOUT/VYPNOUT“.
- Stiskněte tlačítko **P** třikrát a uslyšíte pípnutí.
- Zapněte spotřebič stiskem tlačítka „ZAPNOUT/VYPNOUT“.
- Aktuální nastavení a kontrolka leštidla blikají.
- Stiskem tlačítka **P** zvolte úroveň dávkování leštidla.
- Vypněte jej stiskem tlačítka „ZAPNOUT/VYPNOUT“.

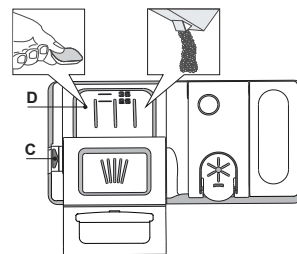
Nastavení je hotové!

Je-li úroveň dávkování leštidla nastavena na „NULA“ (EKO), nebude dávkováno žádné leštadlo. Dojde-li leštadlo, kontrolka „NEDOSTATEK LEŠTIDLA“ se nerozsvítí. V závislosti na konkrétním modelu myčky lze nastavit maximálně 5 úrovně. Tovární nastavení je specifické pro daný model. Řiďte se prosím výše uvedeným pokynem, abyste ověřili konkrétní nastavení vaší myčky.

- Pokud jsou na nádobí patrné modravé odlesky, nastavte nízké hodnoty (1-2).
- Jsou-li na nádobí stopy vodního kamene, nastavte vyšší číslo (3-4).

DOPLNĚNÍ DÁVKOVAČE MYCÍHO PROSTŘEDKU

K otevření zásobníku mycího prostředku použijte otevírací prvek C. Dávkuje mycí prostředek výhradně do suchého zásobníku D. Prostředek pro předmytí dávkuje přímo do prostoru myčky.



1. Při dávkování mycího prostředku se řiďte předchozími pokyny, abyste odměřili správné množství. Uvnitř zásobníku **D** se nacházejí značky, které pomohou při dávkování mycího prostředku.
2. Odstraňte zbytky mycího prostředku z okraje zásobníku a pak jej zavřete tak, aby bylo slyšet cvaknutí.
3. Tahem zavřete víčko zásobníku mycího prostředku, dokud zavírací prvek nezapadne na své místo.

Zásobník se automaticky otevře v pravou chvíli v závislosti na použitém programu.

Používáte-li tablety typu „vše v jednom“, doporučujeme stisknout tlačítko **TABLETA**, čímž se program přizpůsobí, aby bylo možno dosáhnout ideálních mycích výsledků.

Použití čistícího prostředku, který není určený pro myčky nádobí, může způsobit nesprávný chod nebo poškození spotřebiče.

TABULKA PROGRAMŮ

Program	Fáze sušení	NaturalDry	Dostupné funkce *)	Délka mycího programu (h:min)**)	Spotřeba vody (litry/cyklus)	Spotřeba energie (kWh/cyklus)	
1. „Úsporný program“	ECO 50°	✓	✓		3:10	6,5	0,85
2. 6 th Sense®	6 th sense 50-60°	✓	✓	MULTI ZONE >>>	1:25 - 3:00	7,0 - 14,0	0,90 - 1,40
3. Intenzivní	65°	✓	✓	MULTI ZONE >>>	2:50	14,0	1,50
4. Rychlé mytí a sušení	50°	✓	✓	MULTI ZONE	1:25	11,5	1,10
5. Křehké	45°	✓	✓	MULTI ZONE	1:40	11,5	1,20
6. Rychlý 30'	50°	-	-	MULTI ZONE	0:30	9,0	0,50
7. Tichý	50°	✓	✓		3:30	15,0	1,15
8. Dezinfekce	65°	✓	-		1:40	10,0	1,30
9. Předmytí	-	-	-	MULTI ZONE	0:12	4,5	0,01
10. Automatické čištění	65°	-	-		1:35	14,0	1,15

Údaje pro „Úsporný program“ jsou měřeny v laboratorních podmínkách podle pokynů evropské normy EN 60436:2020.

Poznámka pro zkušební laboratoře: Pro informace o zkušebních podmínkách srovnávací zkoušky EN napište na adresu: dw_test_support@europeanappliances.com

Žádný z programů nevyžaduje jakékoli předchozí ošetření nádobí.

*) Ne všechny možnosti lze používat zároveň.

***) Hodnoty uvedené pro ostatní programy kromě „Úsporný program“ jsou pouze přibližné. Skutečná doba se může lišit v závislosti na mnoha vlivech, jako je např. teplota, tlak vstupní vody, teplota okolí, množství mycího prostředku, množství a typ nádobí, vyvážení nádobí, zvolené doplňkové možnosti a kalibrace snímačů. Kalibrace snímačů může program prodloužit až o 20min.

POPIS PROGRAMŮ

Pokyny pro výběr mycího cyklu.

1 „ÚSPORNÝ PROGRAM“

Program EKO je vhodný k mytí běžně zašpiněného nádobí, který je pro tento účel nejvýhodnějším programem s ohledem na spotřebu energie a vody a který se využívá k vyhodnocení shody spotřebiče s předpisy Ecodesign EU.

2 6th SENSE®

Pro běžně zašpiněné nádobí se zaschlými nečistotami. Myčka zjistí úroveň zašpinění nádobí a odpovídajícím způsobem nastaví program. Když senzor sníma úroveň znečištění nádobí, na displeji se zobrazí odpovídající symbol a aktualizuje se délka cyklu.

3 INTENZIVNÍ

Program doporučený pro velmi špinavé nádobí, hlavně hrnce a pánve (nepoužívat Ina jemné nádobí).

4 RYCHLÉ MYTÍ A SUŠENÍ

Běžně zašpiněné nádobí. Běžný každodenní program zajišťující optimální účinnost mytí a sušení v kratším čase.

5 KŘEHKÉ

Program pro choulostivé nádobí, které je citlivější na vysoké teploty, jako jsou například sklenice a hrnky.

6 RYCHLÝ 30'

Program určený pro poloviční naplnění lehce zašpiněným nádobím bez zaschlých zbytků. Nezahrnuje fázi sušení.

7 TICHÝ

Ideální pro noční provoz spotřebiče. Zajišťuje optimální účinnost mytí a sušení při minimální hladině hluku.

8 DEZINFEKCE

Program s doplňkovým antibakteriálním účinkem je určen pro běžně až silně zašpiněné nádobí. Lze použít za účelem údržby myčky.

9 PŘEDMYTÍ

Použijte pro opláchnutí nádobí, které plánujete mýt později. V tomto programu se nepoužívá žádný mycí prostředek.

10 AUTOMATICKÉ ČIŠTĚNÍ

Program slouží k údržbě myčky nádobí. Spouštějte pouze v případě, že je myčka PRÁZDNÁ a s použitím speciálního čisticího prostředku určeného k údržbě myčky.

Poznámka:

Upozorňujeme, že cyklus Rychlý 30' je určený pro mírně zašpiněné nádobí.

MOŽNOSTI A FUNKCE

MOŽNOSTI lze volit přímo stiskem příslušného tlačítka (viz OVLÁDACÍ PANEL).

Není-li možnost kompatibilní se zvoleným programem (viz TABULKA PROGRAMŮ), příslušná kontrolka třikrát rychle zabliká a ozve se zvukové znamení. Možnost nebude zvolena.

MULTI MULTIZONE

ZONE Pokud je k mytí pouze malé množství nádobí, lze využít funkci „Poloviční náplň“ šetřící elektrickou energii, vodu a mycí prostředek. Vyberte program a stiskněte tlačítko „MULTIZONE“: na displeji se zobrazí symbol zvoleného koše. Ve výchozím nastavení myčka myje nádobí ve všech koších. Chcete-li provést mytí pouze ve zvoleném koši, stiskněte opakovaně toto tlačítko:



zobrazeno na displeji (pouze dolní koš)



zobrazeno na displeji (pouze horní koš)



zobrazeno na displeji (zvolená možnost je VYPNUTO a myčka bude mýt nádobí ve všech koších).

Nezapomeňte nejprve vždy zcela naplnit pouze horní nebo dolní koš a přiměřeným způsobem snížit množství dávkovaného mycího prostředku.

Pokud je horní koš vyjmutý, aplikujte mycí prostředek přímo do prostoru myčky namísto do zásobníku.



ODLOŽENÝ START

Spuštění programu lze odložit o 1 až 12 hodin.

1. Stiskněte tlačítko „ODLOŽENÝ START“. Na displeji se objeví příslušný „h“ symbol; každým stiskem tlačítka se prodlužuje doba odložení začátku mycího programu (1 h, 2 h atd. až do max. 12 h).
2. Zvolte mycí program, stiskněte tlačítko „SPUSTIT/Pauza“ a do 4 sekund zavřete dvířka: časovač začne odpočítávat.
3. Po vypršení stanoveného času světelná kontrolka „h“ zhasne a mycí program se automaticky spustí.

Chcete-li upravit dobu odloženého startu a zvolit kratší, stiskněte tlačítko „Odložený start“. Pro zrušení stiskněte tlačítko opakovaně, dokud nezhasne kontrolka „ODLOŽENÝ START“ „h“.

Funkci „ODLOŽENÝ START“ nelze zvolit, pokud již program běží.



TURBO

Tuto možnost lze použít pro zkrácení délky hlavních programů při zachování stejné úrovně mytí a sušení.

Po stisknutí tlačítka „TURBO“ se rozsvítí kontrolka. Možnost zrušíte opětovným stisknutím tlačítka.



POWER CLEAN®

Tato funkce umožňuje intenzivnější a výkonnější mytí v určité oblasti dolního koše. Používá k tomu dodatečné vodní trysky. Tato funkce se doporučuje pro mytí rendlíků a hrnců. Stisknutím tohoto tlačítka aktivujete funkci „POWER CLEAN“ (rozsvítí se kontrolka).

SYSTÉM RECYKLACE VODY

Tato myčka nádobí vám umožňuje ušetřit až 3 litry vody při použití programu Eco. Ušetřená voda je filtrována a skladována ve vyhrazené nádrži a bude znovu použita pro následující program Eco. Pokud cyklus Eco není používán po dobu tří nebo více dnů, z hygienických důvodů důrazně doporučujeme provést cyklus čištění myčky nádobí. Lze využít cyklus samočištění (viz tabulku programů).



„PRÁŠEK/TABLETA“

Toto nastavení vám umožňuje přizpůsobit průběh programu typu použitého mycího prostředku.

Stiskněte tlačítko „SPUSTIT/Pauza“ na 3 sekundy (rozsvítí se příslušný symbol), používáte-li kombinované mycí prostředky ve formě tablet (leštidlo, sůl a mycí prostředek v jedné dávce).

Používáte-li mycí prostředek v prášku, měla by být tato možnost vypnuta.



INDIKÁTOR PROVOZU

Kontrolka LED svítící na podlahu indikuje, že myčka nádobí je v provozu. Je možno zvolit jeden z následujících režimů:

- a) Funkce vypnutá.
- b) Po začátku cyklu se světlo rozsvítí na několik sekund, v průběhu cyklu je zhasnuté a zabliká na konci cyklu..
- c) Světlo svítí po celou dobu cyklu a bliká na jeho konci (výchozí režim).

Pokud byl nastaven odložený start, rozsvítí se světlo buď na prvních několika sekund, nebo svítí po celou dobu odpočítávání, a to v závislosti na tom, zda byl nastaven režim b), nebo c).

Světlo se rozsvítí při každém otevření dveří. Pro výběr zvoleného režimu zapněte spotřebič a držte stisknuté tlačítko **P**, dokud se na displeji nezobrazí jedno ze tří písmen, tisknutím tlačítka **P** následně zvolte písmeno označující vybraný režim a přidržetím tlačítka **P** výběr potvrďte.

Poznámka: Pokud je aktivní NaturalDry a dojde k otevření dveří, nebude na konci cyklu blikat indikátor stavu.

NaturalDry

„NaturalDry“ je založen na konvenčním způsobu sušení, kdy se automaticky otevírají dvířka během/po ukončení fáze sušení, aby byl zajištěn každodenní mimořádný sušící výkon. Dvířka se otevrou při teplotě, která je bezpečná pro váš kuchyňský nábytek. Neotevrou se tedy v případě, pokud jste zapnuli možnost o „TURBO“.

Jako doplňkovou ochranu proti horké páře dodáváme k myčce speciálně navrženou ochrannou fólii. Pro informace, jak postupovat při instalaci ochranné fólie, nahlédněte prosím do INSTALAČNÍ PŘÍRUČKY.

Funkci systému otevírání dvířek „NaturalDry“ může uživatel deaktivovat následovně:

1. Stiskem a podržením tlačítka **P** (6 sekund) přejděte do softwarové nabídky „Myčka“.
2. Nyní se nacházíte v nabídce „Ovládání osvětlení“ (přečtěte si prosím popis „INDIKÁTOR PROVOZU“). Pokud si nepřejete nic měnit, stiskněte a podržte prosím tlačítko **P** (dokud se jedno z obou písmen nezobrazí na displeji).
3. Přepnutí jste do nabídky „Ovládání systému „NaturalDry“ (systém otevírání dvířek) a můžete změnit status funkce „NaturalDry“, a to stiskem tlačítka **P**:

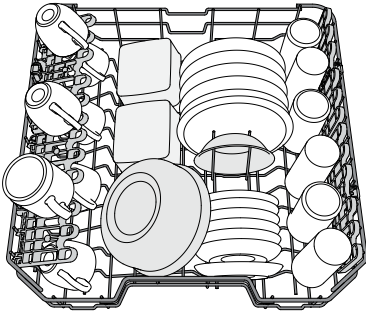
E – aktivováno

d – deaktivováno

Pro potvrzení změny a opuštění této nabídky ovládání prosím stiskněte a podržte tlačítko **P** (3 sekundy).

PLNĚNÍ KOŠŮ

HORNÍ KOŠ



(příklad naplnění horního koše)

Sem vkládejte jemné a lehké nádoby: sklenice, hrnky, tácky a mělké salátové mísy.

NASTAVENÍ VÝŠKY HORNÍHO KOŠE

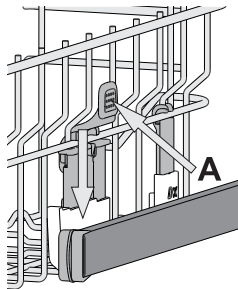
Výšku horního koše lze nastavit: Při umístění do vyšší polohy lze do spodního koše vkládat objemnější kusy, v nižší poloze pak lze nejlépe využít sklopných opěrek – v horní části se tak vytvoří větší prostor a předejde se kolizím s předměty uloženými ve spodním koši.

Horní koš je vybaven **zařízením pro nastavení výšky horního koše** (viz obr.), bez nutnosti používat páky. Stačí koš prostě zvednout za strany, dokud nezapadne do stabilní horní polohy.

Pro návrat koše zpět do dolní polohy stiskněte páky **A** po stranách koše a zatlačte koš dolů.

Důrazně doporučujeme neměnit polohu koše, je-li plný.

NIKDY nesnižujte ani nezvyšujte polohu koše pouze na jedné straně.



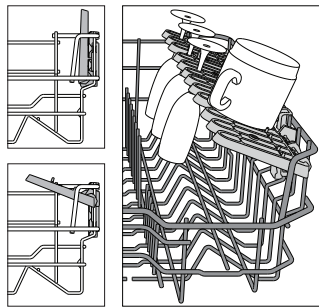
SKLOPNÉ OPĚRKY S NASTAVITELNOU POLOHOU

Postranní sklopné opěrky lze sklopit nebo vyklopit za účelem lepšího uspořádání nádobí v koši.

Do sklopných opěrek je možno bezpečně umístit sklenice na víno, a to tak, že stopku každé z nich opřeme do příslušného vybrání.

Podle modelu:

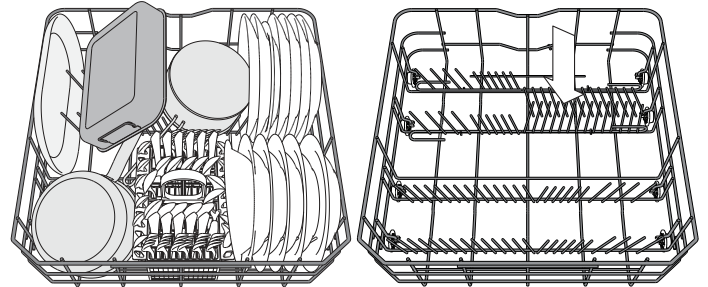
- vyklopení opěrek: je třeba je posunout nahoru a otočit jimi nebo je uvolnit z příchytěk a zatáhnout směrem dolů;
- sklopení opěrek: je třeba jimi otočit a posunout je dolů, nebo je vytáhnout směrem nahoru a připnout do příchytěk.



DOLNÍ KOŠ

Je určen na hrnce, tácy, talíře, salátové mísy, přístroje atd. Velké talíře a poklice by měly být umístěny po stranách, aby nedošlo ke kontaktu s ostříkovacími rameny.

Dolní koš je vybaven opěrkami, které lze ve svislé poloze použít k umístění talířů nebo v horizontální (dolní) poloze ke snadnému umístění hrnců a salátových misek.

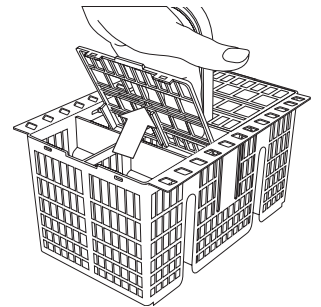


(příklad plnění dolního koše)

KOŠÍK NA PŘÍBORY

Je vybaven horními otvory umožňujícími lepší uspořádání příborů. Musí být umístěn v přední části dolního koše.

Nože a další ostré nástroje musí být umístěny svisle v koši na příbory ostřím směrem dolů nebo vodorovně na sklopných opěrkách horního koše.



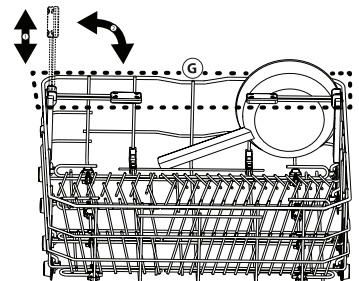
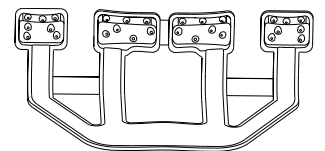
FUNKCE „POWER CLEAN“ VE SPODNÍM KOŠI

Při funkci „Power Clean“ se používají speciální proudy vody v zadní části myčky k intenzivnějšímu mytí velmi špinavého nádobí. Dolní koš je vybaven zařízením Space Zone, speciální výsuvnou opěrkou v zadní části koše, kterou lze použít k opření pánví či pekáčů ve svislé poloze, kdy zabírají méně místa.

Umístěte hrnce a kastroly proti ústí Power Clean® a aktivujte funkci **POWER CLEAN** na panelu.

Jak používat funkci „Power Clean“:

1. Upravte prostor (G) pro účinné mytí „Power Clean“ sklopením zadních držáků talířů. Tím uvolníte prostor pro hrnce.
2. Hrnce a kastroly položte svisle do prostoru „Power Clean“. Hrnce je třeba naklonit směrem k vodním tryskám.



DENNÍ POUŽÍVÁNÍ

1. ZKONTROLUJTE PŘIPOJENÍ K VODOVODNÍ SÍTI

Zkontrolujte, zda je myčka připojena k vodovodní síti a zda je vodovodní kohoutek otevřený.

2. ZAPNĚTE MYČKU

Otevřete dvířka a stiskněte tlačítko „ZAPNOUT/VYPNOUT“.

3. VLOŽTE NÁDOBÍ (viz PLNĚNÍ KOŠŮ)

4. PLNĚNÍ DÁVKOVAČE MYČÍHO PROSTŘEDKU

5. VYBERTE PROGRAM A PŘÍZPUSOBTE CYKLUS

Vyberte nejvhodnější program vzhledem k druhu nádobí a míře jeho zašpinění (viz POPIS PROGRAMŮ) pomocí tlačítka **P**. Vyberte požadované možnosti (viz MOŽNOSTI A FUNKCE).

6. START

Mycí cyklus spustíte stiskem tlačítka **SPUSTIT/Pauza** (led kontrolka svítí) s následným uzavřením dvířek do 4 sekund. Jakmile program začne, uslyšíte jedno pípnutí. Pokud dvířka nejsou do 4 sekund uzavřena, rozezní se výstražné upozornění. V takovém případě je otevřete, stiskněte tlačítko **SPUSTIT/Pauza** a znovu je uzavřete s dodržением 4 sekundového časového limitu.

7. KONEC MYČÍHO CYKLU

Konec mycího cyklu je indikován pípnutím a blikáním čísla mycího cyklu na displeji. Otevřete dvířka a vypněte spotřebič stiskem tlačítka „ZAPNOUT/VYPNOUT“.

Před vyklizením nádobí chvíli počkejte, předejete tak popálení.

Vyklidte nádobí z košů – začněte spodním.

Spotřebič se při delší nečinnosti vypne, aby tak šetřil elektrickou energii. Je-li nádobí znečištěno pouze lehce nebo bylo-li před umístěním do myčky opláchnuto, snižte přiměřeně dávkování mycího prostředku.

MODIFIKACE BĚŽÍCÍHO PROGRAMU

Došlo-li k výběru nesprávného programu, je možné jej změnit za předpokladu, že od jeho spuštění uplynula pouze krátká chvíle: otevřete dvířka, stiskněte a podržte tlačítko „ZAPNOUT/VYPNOUT“ a spotřebič se vypne.

Stisknutím tlačítka „ZAPNOUT/VYPNOUT“ spotřebič opět zapnete a zvolte nový mycí program spolu s požadovanými možnostmi. Mycí cyklus spustíte stiskem tlačítka **SPUSTIT/Pauza** (rozsvítí se kontrolka) s následným uzavřením dvířek do 4 sekund.

PŘIDÁNÍ DALŠÍHO NÁDOBÍ

Aniž byste spotřebič vypínali, otevřete dvířka (rozblíká se led kontrolka **SPUSTIT/Pauza** (**budte opatrní na HORKOU páru!**)) a vložte nádobí do myčky. Stiskněte tlačítko **SPUSTIT/Pauza** a do 4 sekund uzavřete dvířka. Cyklus se opětovně spustí od místa, ve kterém byl přerušen.

NÁHODNÁ PŘERUŠENÍ

Dojde-li v průběhu mycího cyklu k otevření dvířek nebo výpadku elektrického napájení, cyklus se zastaví. Stiskněte tlačítko **SPUSTIT/Pauza** a do 4 sekund uzavřete dvířka. Cyklus se opětovně spustí od místa, ve kterém byl přerušen.

DOPORUČENÍ A TYPY

RADY

Před plněním košů odstraňte z nádobí všechny zbytky jídel a vyprázdněte sklenice. **Nádobí není třeba oplachovat pod tekoucí vodou.**

Uspořádejte nádobí vmyčce tak, aby pevně leželo na místě a nepřepadávalo; nádoby vkládejte dnem vzhůru a vyduťtými vypuklými povrchy šikmo, aby voda měla přístup ke všem povrchům a zároveň mohla volně odtékat.

Varování: Víka, madla, podnosy a pánve nesmí bránit ostříkovacím ramenům myčky v pohybu.

Drobné předměty vkládejte do koše na příbory. Velmi znečištěné nádobí a hrnce umísťte do spodního koše, protože v této části myčky je proud vody silnější, a lze tak dosáhnout lepší výkonnosti.

Po naplnění myčky ověřte, že se ostříkovací ramena mohou volně otáčet.

NEVHODNÉ NÁDOBÍ

- Dřevěné nádobí a příbory.
- Jemné zdobené sklenice, umělecké, ručně vyrobené a starožitné nádobí. Jejich zdobení není dostatečně odolné.
- Části z plastu neodolávající vysokým teplotám.
- Měděné a cínové nádobí.
- Nádobí zašpiněné popelem, voskem, mazacím tukem či inkoustem.

Barva ozdob na skle a hliníkových/stříbrných kusů nádobí může během mytí vyblednout. Některé druhy skla (např. křišťálové předměty) mohou po několika mycích cyklech zmatnět.

POŠKOZENÍ SKLA A NÁDOBÍ

- Používejte výhradně sklenice a porcelán, u nichž výrobce zaručuje možnost mytí v myčce.
- Používejte jemný mycí přípravek vhodný na porcelánové nádobí
- Vyjměte sklo a příbory z myčky hned po skončení mycího cyklu.

TIPY K ÚSPORĚ ENERGIE

- Pokud se myčka nádobí do domácnosti používá v souladu s pokyny výrobce, je **spotřeba ENERGIE a vody při mytí nádobí v myčce NIŽŠÍ než při mytí v ruce.**
- Pro maximální úspornost myčky nádobí doporučujeme **mycí cyklus spustit až ve chvíli, kdy je myčka zcela zaplněná.** Naplnění myčky nádobí až do plné kapacity uvedené výrobcem přispívá k úspoře energie a vody. Informace o správném vkládání nádobí najdete v kapitole PLNĚNÍ KOŠŮ. V případě pouze částečného zaplnění doporučujeme použití příslušného mycího programu, je-li k dispozici (Half load / Zone Wash / Multi Zone) a plnění pouze příslušných košů. Nesprávné nebo nadměrné naplnění myčky může vést ke zvýšení spotřeby (vody, energie a času i zvýšení hlučnosti) a k snížení účinnosti mytí a sušení.
- Ruční předmyváání nádobí vede ke zvýšené spotřebě vody a energie a nedoporučujeme jej.

HYGIENA

Aby se předešlo vzniku usazenin a zápachu v myčce, **spustte nejméně jednou měsíčně program s vysokou teplotou.** Použijte čajovou lžičku mycího prostředku a vsypte ji do prázdné myčky.

ÚDRŽBA A ČIŠTĚNÍ

ČIŠTĚNÍ SESTAVY FILTRU

Pravidelně čistěte sestavu filtru, aby nebyla ucpaná a voda mohla řádně odtékat.

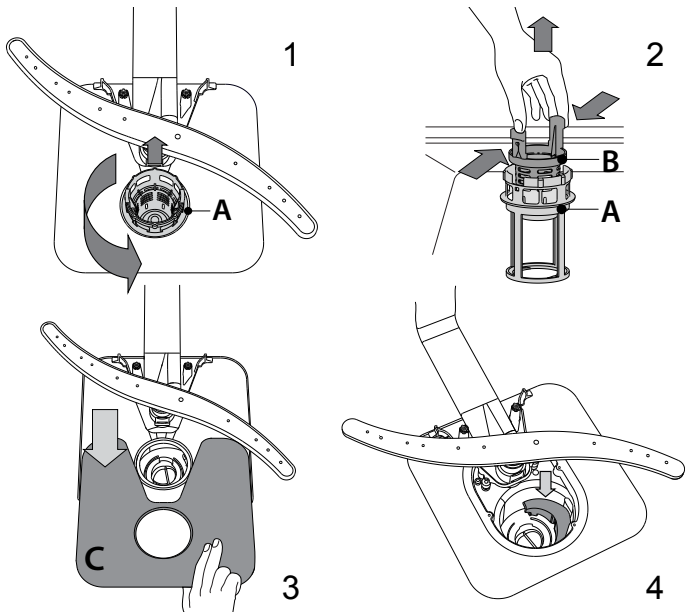
Používání myčky s ucpanými filtry nebo cizími předměty ve filtračním systému či rozstřikovačích může způsobit nesprávný chod spotřebiče, ztrátu účinnosti, hlučný chod nebo vyšší spotřebu.

Sestava filtru se skládá ze tří filtrů, které pomáhají zmycí vody odstranit zbytky potravin a umožňují její následnou recirkulaci.

Myčka nesmí být používána bez filtrů nebo s nedotaženými filtry.

Nejméně jednou měsíčně nebo po každých 30 cyklech zkontrolujte sestavu filtru a v případě potřeby jej důkladně vymyjte pod tekoucí vodou za pomoci nekovového kartáče podle pokynů níže:

1. Otočte válcovým filtrem **A** proti směru chodu hodinových ručiček a vyjměte jej (obr. 1).
2. Mírným tlakem na postranní klapky vyjměte miskový filtr **B** (obr. 2).
3. Vysuňte nerezový deskový filtr **C** (obr. 3).
4. Pokud naleznete cizí předměty (např. úlomky skla, porcelánu, kostí, semínka z ovoce), **opatrně je odstraňte**.
5. Prohlédněte prostor pod filtrem a odstraňte případné zbytky jídla. **NIKDY NEODSTRAŇUJTE** ochranu čerpadla mycího cyklu (detail v černé barvě) (obr. 4).



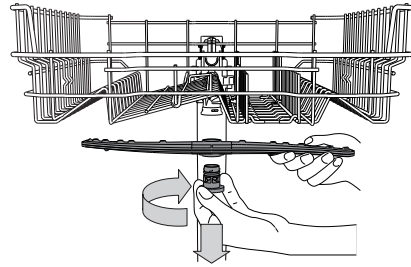
Po vyčištění filtry vraťte na jejich místo a zajistěte je; je to zásadní pro zachování funkčnosti myčky.

ČIŠTĚNÍ PŘÍVODNÍ HADICE

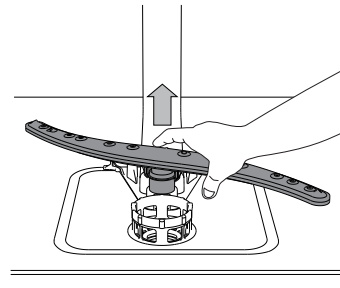
Je-li přívodní hadice nová nebo nebyla-li dlouho používána, propláchněte ji vodou a zkontrolujte, zda neobsahuje nečistoty. Teprve pak proveďte připojení. Nedodržíte-li tento postup, může dojít k ucpaní vstupu vody a poškození myčky.

ČIŠTĚNÍ OSTŘIKOVACÍCH RAMEN

Někdy se stane, že se do ostřikovačích ramen dostane zbytek jídla a ucpe některou z jeho trysek. Doporučujeme proto občasnou kontrolu ramen a jejich vyčištění malým nekovovým kartáčkem.



Horní ostřikovačív rameno sejmeme pootočením plastového upevňovacího kroužku proti směru hodinových ručiček. Horní rameno lze otočit tak, že jeho strana s větším množstvím otvorů směřuje vzhůru.



Spodní ostřikovačív rameno lze vyjmout zatažením směrem nahoru.

SYSTÉM PRO ZMĚKČOVÁNÍ VODY

Změkčovač vody automaticky snižuje tvrdost vody, a zabraňuje tak nahromadění vodního kamene na ohříváči a přispívá k vyšší účinnosti mytí.

Tento systém k regeneraci využívá sůl, proto je nutné doplňovat zásobník na sůl, když se vyprázdní.



Četnost regenerace závisí na nastavení úrovně tvrdosti vody – s úrovní tvrdosti nastavené na **3** probíhá regenerace jednou za **8** Eko cyklů.

Regenerační proces se spustí po závěrečném oplachu a dokončí se během sušení před skončením cyklu.

- Spotřeba během jedné regenerace: ~ 3,5 l vody;
- Prodloužení cyklu až o 5 minut;
- Spotřeba méně než 0,005 kWh energie.

ODSTRAŇOVÁNÍ ZÁVAD

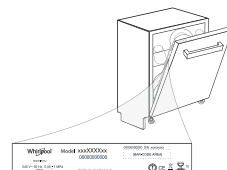
Pokud vaše myčka nádobí nefunguje správně, pokuste se problém vyřešit za pomoci informací uvedených v tomto seznamu. V případě jiných problémů nebo dotazů se obraťte na autorizovaný poprodejní servis, jehož kontaktní údaje najdete v záručním listě. Výrobce zaručuje, že náhradní díly budou dostupné nejméně po dobu 10 let do data výroby tohoto spotřebiče.

PROBLÉMY	MOŽNÉ PŘÍČINY	ŘEŠENÍ	
 Kontrolka soli svítí	Zásobník na sůl je prázdný. (Kontrolka soli může zůstat svítit po několika mycích cykly po doplnění).	Doplňte do zásobníku sůl (další informace viz strana 2). Nastavte tvrdost vody – viz tabulka, strana 2.	
 Kontrolka leštidla svítí	Zásobník leštidla je prázdný. (Kontrolka leštidla může zůstat svítit po několika mycích cykly po doplnění).	Doplňte do zásobníku leštidlo (další informace viz strana 2).	
Myčka se nespouští nebo nereaguje na povely.	Spotřebič není správně připojen do zásuvky.	Zasuňte zástrčku do zásuvky.	
	Výpadek proudu.	Myčka nádobí se z bezpečnostních důvodů po obnovení napájení znovu automaticky nespustí. Otevřete dvířka myčky, stiskněte tlačítko SPUSTIT/Pauza a poté dvířka do 4 sekund znovu zavřete.	
	Dveře myčky nejsou dobře zavřené. Kolík <i>NaturalDry</i> není zatažen.	Důkladně zavřete dveře, dokud neuslyšíte „cvaknutí“.	
	Cyklus byl přerušen otevřením dveří na více než 4 sekundy.	Stiskněte tlačítko SPUSTIT/Pauza a do 4 sekund zavřete dvířka myčky.	
Myčka nereaguje na povely. Na displeji se zobrazuje: 9 nebo 12 a kontrolka „ZAPNOUT/VYPNOUT“ rychle bliká.	Myčka nereaguje na povely. Na displeji se zobrazuje: 9 nebo 12 a kontrolka „ZAPNOUT/VYPNOUT“ rychle bliká.	Vypněte spotřebič stisknutím tlačítka „ZAPNOUT/VYPNOUT“ a po cca jedné minutě jej znovu zapněte a restartujte program. Pokud problém přetrvává, spotřebič na 1 minutu odpojte od napájení a poté jej znovu zapojte	
	Myčka nevy pouští vodu. Na displeji se zobrazuje: 3 a kontrolka „ZAPNOUT/VYPNOUT“ rychle bliká.	Ještě neskončil mycí cyklus. Vypouštěcí hadice je ohnutá. Odpad dřezu je ucpaný. Filtr je ucpaný zbytky jídla.	Počkejte, dokud mycí cyklus neskončí. Zkontrolujte, zda vypouštěcí hadice není ohnutá (viz NÁVOD K INSTALACI). Vyčistěte odtok dřezu. Vyčistěte filtr (viz ČIŠTĚNÍ SESTAVY FILTRU).
	Myčka je příliš hlučná.	Nádobí na sebe naráží. Vzniká nadměrné množství pěny.	Nádobí správně rozmístěte (viz PLNĚNÍ KOŠŮ). Mycí prostředek nebyl správně nadávkován nebo není vhodný pro použití v myčkách nádobí (viz PLNĚNÍ ZÁSOBNÍKU MYCÍHO PROSTŘEDKU). Restartujte aktuální cyklus vypnutím a opětovným zapnutím myčky. Poté zvolte nový program, stiskněte tlačítko SPUSTIT/Pauza a během 4 sekund zavřete dvířka. Nepřidávejte prosím žádný mycí prostředek.
	Nádobí není umyté.	Nádobí nebylo v myčce správně uspořádáno. Ostříkovačí ramena se nemohou volně otáčet – brání jim nádobí. Mycí cyklus je příliš jemný. Vzniká nadměrné množství pěny. Víčko zásobníku leštidla není dobře uzavřeno. Filtr je znečištěný či ucpaný. Došla sůl.	Nádobí správně rozmístěte (viz PLNĚNÍ KOŠŮ). Nádobí správně rozmístěte (viz PLNĚNÍ KOŠŮ). Vyberte vhodný mycí cyklus (viz TABULKA PROGRAMŮ). Mycí prostředek nebyl správně nadávkován nebo není vhodný pro použití v myčkách nádobí (viz PLNĚNÍ ZÁSOBNÍKU MYCÍHO PROSTŘEDKU). Přesvědčte se, že je víčko na zásobníku leštidla dobře zavřené. Vyčistěte sestavu filtrů (viz PÉČE A ÚDRŽBA). Doplňte zásobník na sůl (viz DOPLŇOVÁNÍ ZÁSOBNÍKU NA SŮL).
Myčka nenapouští vodu. Na displeji se zobrazuje: H, 6 a kontrolka „ZAPNOUT/VYPNOUT“ rychle bliká.	V potrubí není voda nebo je uzavřený přívodní ventil.	Zkontrolujte, zda je v potrubí voda a zda je otevřený přívodní ventil.	
	Přívodní hadice je ohnutá. Sítko v přívodní hadici je ucpané; je třeba jej vyčistit.	Zajistěte, aby přívodní hadice nebyla ohnutá (viz INSTALACE), nastavte nový program a spusťte myčku znovu. Po kontrole a vyčištění vypněte a opět zapněte myčku a spusťte nový program.	
Myčka nádobí ukončila cyklus předčasně. Na displeji se zobrazuje: 15 a kontrolka „ZAPNOUT/VYPNOUT“ rychle bliká.	Vypouštěcí hadice je umístěna příliš nízkou či dochází k vypouštění do domácího kanalizačního systému.	Zkontrolujte, je-li vypouštěcí hadice umístěna ve správné výšce (viz INSTALACE). Zkontrolujte, zda nedochází k vypouštění do domácího kanalizačního systému a v případě potřeby nainstalujte vzduchovou klapku.	
	Vzduch v přívodní hadici.	Zkontrolujte, zda z přívodní hadice neuniká voda nebo jestli nevykazuje jiné narušení, které by mohlo způsobovat vnikání vzduchu.	

Firemní zásady, standardní dokumentaci, objednávky náhradních dílů a další informace o výrobku získáte:

- Použití QR kódu na produktu.
- Návštěvou našeho webu docs.whirlpool.eu/docs a parts-selfservice.europeanappliances.com
- Případně **kontaktujte náš poprodejní servis** (telefonní číslo najdete v záručním listě).

Při kontaktování našeho poprodejního servisu prosím uveďte kódy na identifikačním štítku produktu. Informace o modelu získáte přes QR kód na energetickém štítku. Na štítku rovněž najdete identifikační číslo modelu, které můžete použít k vyhledávání v rejstříku na portálu <https://eprel.ec.europa.eu>.



400020009316

07/2024 jk - Xerox Fabriano



GUIDE D'UTILISATION QUOTIDIENNE

D'UTILISATION QUOTIDIENNE



MERCI D'AVOIR CHOISI UN PRODUIT WHIRLPOOL.
Afin de recevoir une assistance plus complète, merci d'enregistrer votre appareil sur :
www.whirlpool.eu/register

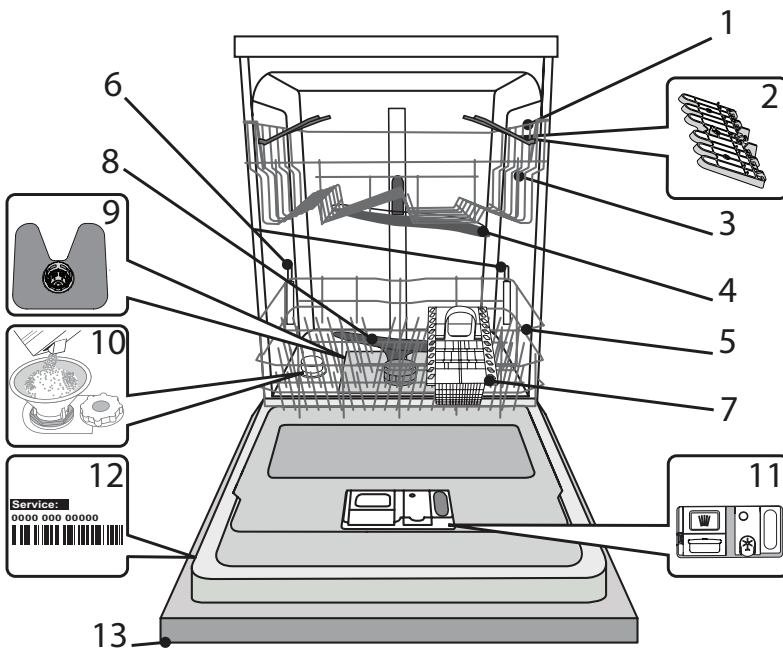
MERCI DE SCANNER LE QR CODE SUR VOTRE APPAREIL POUR OBTENIR DES INFORMATIONS PLUS DÉTAILLÉES.



Avant d'utiliser l'appareil, lisez attentivement les Consignes de sécurité.

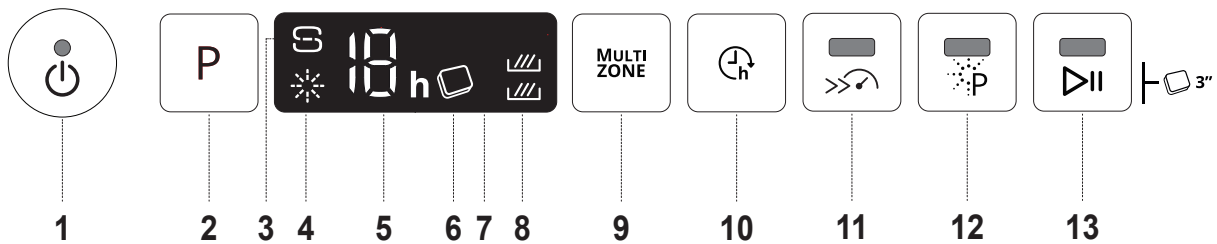
DESCRIPTION DU PRODUIT

APPAREIL



1. Panier supérieur
2. Volets pliables
3. Bouton de réglage de la hauteur du panier supérieur
4. Bras d'aspersion supérieur
5. Panier inférieur
6. Supports Power Clean®
7. Panier à couver
8. Bras d'aspersion inférieur
9. Ensemble filtre
10. Réservoir à sel
11. Distributeurs de détergent et liquide de rinçage
12. Plaque signalétique
13. Panneau de commande

PANNEAU DE COMMANDE



1. Touche Marche-Arrêt/Réinitialisation avec le voyant
2. Sélecteur de programme
3. Voyant de niveau de sel
4. Voyant de niveau de liquide de rinçage
5. Voyant pour le numéro du programme et le retard réglage
6. Voyant Pastille
7. Affichage
8. Voyant Multizone
9. Touche Multizone
10. Touche Différé
11. Touche Turbo avec le voyant
12. Touche Power Clean® avec le voyant
13. Touche Départ/Pause avec le voyant / Pastille

PREMIÈRE UTILISATION

SEL, LIQUIDE DE RINÇAGE, ET DÉTERGENT


CONSEILS AU SUJET DE LA PREMIÈRE UTILISATION

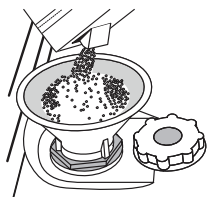
Après l'installation, enlevez les boulons d'arrêt sur les paniers et les éléments élastiques qui retiennent le panier supérieur.

REEMPLIR LE RÉSERVOIR DE SEL

L'utilisation de sel empêche la formation de CALCAIRE sur la vaisselle et sur les composantes fonctionnelles de l'appareil.

- Le **RÉSERVOIR DE SEL NE DOIT JAMAIS ÊTRE VIDE.**
- Il est important de régler la dureté de l'eau.

Le réservoir de sel est situé dans la partie inférieure du lave-vaisselle (voir DESCRIPTION DU PRODUIT) et il doit être rempli quand le voyant **REPLISSAGE DE SEL**  sur le panneau de commande est allumé.



1. Enlevez le panier inférieur et dévissez le bouchon du réservoir (sens antihoraire).
2. La première fois uniquement, vous devez effectuer l'opération suivante : Remplissez d'eau le réservoir à sel.
3. Placez l'entonnoir (voir figure) et remplissez le réservoir de sel jusqu'au bord (environ 1 kg); il est normal qu'un peu d'eau déborde.
4. Enlevez l'entonnoir et essuyez les résidus de sel autour de l'ouverture.

Assurez-vous que le bouchon est bien serré pour éviter que du détergent pénètre dans le réservoir durant le cycle de lavage (le réservoir pourrait s'endommager au point de ne plus être réparable).

Après chaque ajout de sel dans le réservoir, il est obligatoire de lancer immédiatement un cycle de lavage afin d'éviter toute corrosion de la cuve.

RÉGLER LA DURETÉ DE L'EAU

Pour que l'adoucisseur d'eau fonctionne à la perfection, il est important de régler la dureté de l'eau aux conditions existantes dans votre résidence. Cette information peut être obtenue de votre fournisseur d'eau local.

L'usine règle la valeur par défaut de la dureté de l'eau.

- Allumer l'appareil en appuyant sur la touche **MARCHE/ARRÊT.**
- Éteindre l'appareil en appuyant sur la touche **MARCHE/ARRÊT.**
- Appuyer sur la touche **P** pendant 5 secondes ; un bip se fait entendre.
- Allumer l'appareil en appuyant sur la touche **MARCHE/ARRÊT.**
- Le numéro de la sélection actuelle et le voyant de niveau de sel clignotent.
- Appuyer sur la touche **P** pour sélectionner le niveau de dureté désiré (voir TABLEAU DE DURETÉ DE L'EAU).

Level	°dH Degrés allemand	°fH Degrés français	°Clark Degrés anglais
1 Très douce	0 - 6	0 - 10	0 - 7
2 Moyenne	7 - 11	11 - 20	8 - 14
3 Douce	12 - 16	21 - 29	15 - 20
4 Dure	17 - 34	30 - 60	21 - 42
5 Très dure	35 - 50	61 - 90	43 - 62

- Éteindre l'appareil en appuyant sur la touche **MARCHE/ARRÊT.**
- Le réglage est terminé !

Une fois cette opération complétée, lancez un programme sans charger le lave-vaisselle.

Utilisez seulement le sel spécialement conçu pour les lave-vaisselles.

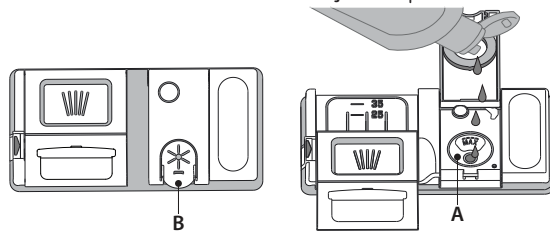
Lorsque le sel est versé dans l'appareil, le voyant AJOUTER DU SEL s'éteint.

Si le contenant de sel n'est pas rempli, l'adoucisseur et l'élément chauffant peuvent être endommagés à cause de l'accumulation de calcaire.

L'utilisation de sel est recommandée avec n'importe quel type de lessive pour lave-vaisselle.

REEMPLIR LE DISTRIBUTEUR DE LIQUIDE DE RINÇAGE

Le liquide de rinçage permet à la vaisselle de SÉCHER plus facilement. Le distributeur de liquide de rinçage **A** devrait être rempli lorsque le voyant de NIVEAU DE LIQUIDE DE RINÇAGE  est allumé à l'écran.



1. Ouvrez le distributeur **B** en appuyant et en tirant sur l'onglet sur le couvercle.
2. Versez doucement du liquide de rinçage jusqu'à la marque de référence (110 ml) du réservoir de remplissage - évitez les débordements. Si cela se produit, nettoyez les dégâts immédiatement avec un linge sec.
3. Appuyez sur le bouchon pour le fermer; un clic se fait entendre.

Ne JAMAIS verser le liquide de rinçage directement dans la cuve.

AJUSTER LE DOSAGE DU LIQUIDE DE RINÇAGE

Si vous n'êtes pas complètement satisfait avec le séchage, vous pouvez ajuster la quantité de liquide de rinçage utilisée.

- Allumez le lave-vaisselle en utilisant la touche **MARCHE/ARRÊT.**
- Éteignez-le en utilisant la touche **MARCHE/ARRÊT.**
- Appuyez sur la touche **P** à trois reprises - vous entendrez un bip.
- Allumez-le en utilisant la touche **MARCHE/ARRÊT.**
- Le numéro du niveau de sélection actuelle et le voyant du niveau de liquide de rinçage clignotent.
- Appuyez sur la touche **P** pour sélectionner la quantité de liquide de rinçage qui doit être utilisée.
- Éteignez-le en utilisant la touche **MARCHE/ARRÊT.**

Le réglage est terminé !

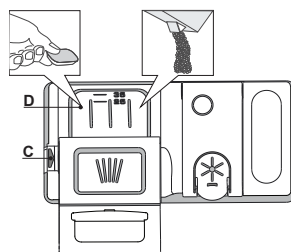
Si le niveau de liquide de rinçage est à ZÉRO (ÉCO), il n'y aura pas de liquide de rinçage distribué. Le voyant LIQUIDE DE RINÇAGE BAS ne s'allumera pas s'il ne reste plus de liquide de rinçage.

Un maximum de 5 niveaux peuvent être réglés selon le modèle du lave-vaisselle. Les réglages d'usine sont spécifiques au modèle, merci de suivre les instructions ci-dessus pour vérifier ceux qui s'appliquent à votre machine.

- Si vous observez des traces bleuâtres sur la vaisselle, placez sur un niveau plus bas (1-2).
- Si vous observez des gouttelettes d'eau ou des traces de calcaire sur la vaisselle, placez sur un niveau plus haut (3-4).

REEMPLIR LE DISTRIBUTEUR DE DÉTERGENT

Pour ouvrir le distributeur de détergent, utilisez le dispositif d'ouverture C. Insérez le détergent dans le distributeur sec D seulement. Placez la quantité de détergent pour le pré-lavage directement dans la cuve.



1. Lorsque vous mesurez la lessive, consultez les informations mentionnées précédemment pour ajouter la quantité correcte. À l'intérieur du distributeur **D** se trouvent des indications pour aider au dosage de la lessive.

2. Enlevez les résidus de détergent sur le bord des récipients avant de fermer le couvercle; un clic se fait entendre.

3. Fermez le couvercle du distributeur de détergent en le tirant vers le haut

jusqu'à ce que le dispositif soit fermement en place. Le distributeur de détergent s'ouvre automatiquement, au moment déterminé par le programme.

Si vous utilisez un détergent « tout-en-un », nous vous conseillons d'utiliser la touche **PASTILLE**, elle ajuste le programme de façon à toujours obtenir les meilleurs résultats de lavage et séchage.

L'utilisation d'un détergent non-conçu pour les lave-vaisselles peut provoquer un dysfonctionnement ou des dommages à l'appareil.

TABLEAU DES PROGRAMMES

Programme	Séchage	NaturalDry	Options disponibles *)	Durée du programme de lavage (h:min)**	Consommation d'eau (l/cycle)	Consommation d'énergie (kWh/cycle)
1. Éco ECO 50°	✓	✓		3:10	6,5	0,85
2. 6 th Sense® 6 th sense 50-60°	✓	✓	MULTI ZONE >>>	1:25 - 3:00	7,0 - 14,0	0,90 - 1,40
3. Intensif 65°	✓	✓	MULTI ZONE >>>	2:50	14,0	1,50
4. Lavage et séchage rapide 50°	✓	✓	MULTI ZONE	1:25	11,5	1,10
5. Cristal 45°	✓	✓	MULTI ZONE	1:40	11,5	1,20
6. Rapide 30' 50°	-	-	MULTI ZONE	0:30	9,0	0,50
7. Silencieux 50°	✓	✓		3:30	15,0	1,15
8. Antibactérien 65°	✓	-		1:40	10,0	1,30
9. Prélavage -	-	-	MULTI ZONE	0:12	4,5	0,01
10. Autonettoyant 65°	-	-		1:35	14,0	1,15

Les données du programme Éco sont mesurées sous des conditions en laboratoire conformément à la norme européenne EN 60436:2020. Note pour les laboratoires d'essai : pour toutes informations sur les conditions d'essai comparatif EN, s'adresser à: dw_test_support@europeanappliances.com.

Aucun prétraitement de la vaisselle n'est nécessaire avant l'un quelconque des programmes.

*) Les options ne peuvent pas toutes être utilisées en même temps.

**) Les valeurs indiquées pour des programmes différents du programme Éco sont fournis à titre indicatif uniquement. Le temps réel peut varier selon des facteurs comme la température et la pression de l'eau, la température de la pièce, la quantité de détergent, la quantité et le type de vaisselle, l'équilibre de la charge, les options supplémentaires sélectionnées, et la calibration du capteur. La calibration du capteur peut augmenter la durée du programme jusqu'à 20 minutes.

DESCRIPTION DES PROGRAMMES

Consignes pour la sélection du cycle de lavage.

1 ÉCO

Le programme Eco est adapté pour nettoyer la vaisselle normalement sale, et pour cette utilisation, c'est le programme le plus efficace en termes d'énergie combinée et de consommation d'eau, et il est utilisé pour évaluer la conformité à la législation européenne en matière d'éco-conception.

2 6th SENSE®

Pour la vaisselle normalement sale avec des résidus de nourriture secs. Détermine le degré de saleté de la vaisselle et règle le programme en fonction de celui-ci. Lorsque le capteur détecte le degré de saleté, une animation apparaît sur l'afficheur et la durée du cycle est mise à jour.

3 INTENSIF

Programme conseillé pour une vaisselle très sale, particulièrement adapté pour les poêles et les casseroles (ne pas utiliser avec la vaisselle délicate).

4 LAVAGE ET SÉCHAGE RAPIDE

Vaisselle sale. Cycle quotidien, assure un rendement de nettoyage optimal et des performances de séchage en moins de temps.

5 CRISTAL

Programme pour la vaisselle délicate, plus sensible aux températures élevées, comme les verres et les tasses.

6 RAPIDE 30'

Programme à utiliser pour la demi-charge de vaisselle légèrement sale sans résidus alimentaires séchés. N'a pas de phase de séchage.

7 SILENCIEUX

Adéquat lorsque l'appareil fonctionne la nuit. Assure un nettoyage et des performances de séchage optimaux avec les plus faibles émissions de bruit.

8 ANTIBACTÉRIEN

Vaisselle sale ou très sale, avec lavage antibactérien supplémentaire. Peut être utilisé pour effectuer l'entretien du lave-vaisselle.

9 PRÉLAVAGE

Utilisez ce programme pour rafraîchir la vaisselle qui sera lavée plus tard. N'utilisez pas de détergent avec ce programme.

10 AUTONETTOYANT

Programme à utiliser pour effectuer l'entretien du lave-vaisselle, à réaliser uniquement lorsque le lave-vaisselle est VIDE en utilisant des détergents spécifiques conçus pour l'entretien du lave-vaisselle.

Remarques :

Il convient de noter que le cycle Rapide 30' est destiné uniquement à la vaisselle légèrement sale.

OPTIONS ET FONCTIONS

Les OPTIONS peuvent être sélectionnées directement en appuyant sur la touche correspondante (voir PANNEAU DE COMMANDE).

Si une option n'est pas compatible avec le programme sélectionné (voir TABLEAU DES PROGRAMMES), le voyant correspondant clignote 3 fois et un bip se fait entendre. La fonction n'est pas activée.

MULTI ZONE MULTIZONE

S'il n'y a pas beaucoup de vaisselle à laver, la demi-charge peut être utilisée pour économiser de l'eau, de l'électricité, et du détergent.

Sélectionnez un programme et appuyez ensuite sur la touche MULTIZONE: le symbole du panier sélectionné s'affiche à l'écran. Par défaut, l'appareil lave la vaisselle sur tous les paniers. Pour seulement laver la vaisselle sur un panier particulier, appuyez plusieurs fois sur cette touche :



s'affiche à l'écran (panier inférieur seulement)



s'affiche à l'écran (panier supérieur seulement)



s'affiche à l'écran (l'option est ÉTEINTE et l'appareil lave la vaisselle sur tous les paniers).

Chargez seulement le panier supérieur ou inférieur, et réduisez la quantité de détergent en conséquence.

Si le panier supérieur est enlevé, appliquez le détergent directement dans la cuve au lieu du distributeur de détergent.



PASTILLE

Ce réglage vous permet d'optimiser le rendement du programme selon le type de détergent utilisé.

Appuyez sur la touche DÉPART/PAUSE 3 secondes (le symbole correspondant s'allume) si vous utilisez un détergent sous la forme d'une pastille (liquide de rinçage, sel, et détergent en une seule dose).

Si vous utilisez un détergent en poudre ou liquide, cette option devrait être éteinte.



TÉMOIN DE FONCTIONNEMENT

Un voyant LED projeté sur le sol indique que le lave-vaisselle fonctionne. Un des modes de fonctionnement suivant peut être sélectionné :

- Fonction désactivée.
- Lorsque que le cycle est lancé, le voyant s'allume quelques secondes; il reste éteint durant le cycle, et clignote à la fin du cycle.
- Le voyant reste allumé durant le cycle et clignote à la fin du cycle (mode par défaut).

Si le Départ différé est sélectionné, le voyant s'allume durant les premières secondes, ou pour la durée du compte à rebours, selon que le mode b) ou c) ait été réglé.

Le voyant s'éteint chaque fois que la porte est ouverte. Pour sélectionner votre mode préféré, allumez l'appareil, appuyez sur la touche **P** jusqu'à ce qu'une des trois lettres apparaisse à l'écran, appuyez sur la touche **P** pour afficher la lettre (mode) désirée, et appuyez de nouveau sur la touche **P** pour confirmer votre sélection.

Remarque: si NaturalDry est activé et ouvre la porte, l'indicateur de fonctionnement ne clignotera pas à la fin du cycle.

NaturalDry

NaturalDry est un système de séchage à convection qui ouvre automatiquement la porte pendant/après la phase de séchage pour assurer une performance de séchage exceptionnelle chaque jour. La porte s'ouvre à la température qui est sûre pour les meubles de votre cuisine, donc la porte ne sera pas ouverte quand l'option TURBO sera activée.

À titre de protection supplémentaire contre la vapeur, une feuille de protection spécifiquement conçue est ajoutée avec le lave-vaisselle. Pour voir comment monter la feuille de protection, consulter le (GUIDE D'INSTALLATION).

La fonctionnalité NaturalDry pourrait être désactivée par l'utilisateur comme suit:

- Allez au menu de logiciel du lave-vaisselle en appuyant et en maintenant le bouton **P** (6 sec).
- Vous êtes actuellement dans le Menu Contrôle lumineux (consultez la description TÉMOIN DE FONCTIONNEMENT si vous ne voulez rien changer, appuyez sur le bouton **P** et maintenez-le enfoncé (jusqu'à ce qu'une des deux lettres apparaisse à l'écran).
- Vous passez au Menu de contrôle NaturalDry, vous pouvez changer d'état de la fonctionnalité NaturalDry en appuyant sur le bouton **P**:

E – activé

d – désactivé

Pour confirmer le changement et sortir du Menu de Contrôle, appuyez sur le bouton **P** et le maintenir enfoncé (3 sec).



DIFFÉRÉ

Le début du programme peut être retardé pour une période entre **1** et **12** heures.

- Appuyez sur la touche DIFFÉRÉ : le symbole «h» correspondant apparaît sur l'écran ; chaque fois que vous appuyez sur la touche, le temps (1 heure, 2 heures, etc. jusqu'à un max de 12 heures) avant le début du cycle de lavage augmente.
- Sélectionnez le programme de lavage, appuyez sur le bouton DÉPART/PAUSE et dans les 4 secondes, fermez la porte : la minuterie commencera le compte à rebours.
- Une fois le temps écoulé, le voyant «h» s'éteint et le cycle de lavage démarre.

Pour ajuster le délai et sélectionner une période de temps plus courte, appuyez sur la touche DIFFÉRÉ. Pour l'annuler, appuyez sur la touche à plusieurs reprises pour éteindre le voyant «h» de départ différé sélectionné. Le programme de lavage démarre automatiquement aussitôt que la porte est fermée.

La fonction Différé ne peut pas être réglée une fois que le cycle de lavage a commencé.



TURBO

Cette option permet de réduire la durée des programmes principaux tout en conservant les niveaux de rendement du lavage et du séchage.

Après avoir sélectionné le programme, appuyez sur la touche TURBO et le voyant s'allume. Appuyez de nouveau sur la touche pour annuler l'option.

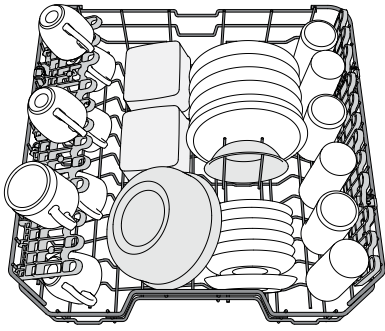


POWER CLEAN®

Grâce aux jets haute pression supplémentaires, cette option fournit un lavage plus intense et puissant dans le panier inférieur, dans la zone spécifique. Elle est recommandée pour le lavage des poêles et des casseroles. Appuyez sur cette touche pour activer Power Clean (le voyant s'allume).

CHARGEMENT DES PANIERS

PANIER SUPÉRIEUR

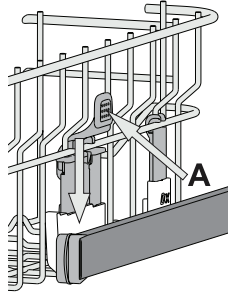


(exemple de chargement du panier supérieur)

Chargez la vaisselle délicate et légère: verres, tasses, soucoupes, saladiers bas.

AJUSTER LA HAUTEUR DU PANIER SUPÉRIEUR

Vous pouvez ajuster la hauteur du panier supérieur : position élevée pour placer la vaisselle encombrante sur le panier inférieur, et la position basse pour profiter au maximum des supports rabattables et créant plus d'espace vers le haut et éviter les chocs avec les articles sur le panier inférieur. Le panier supérieur comprend un **dispositif de réglage de la hauteur du panier supérieur** (voir figure), sans appuyer sur les leviers, simplement soulever en tenant le panier sur les côtés jusqu'à ce qu'il soit stable en position élevée. Pour abaisser le panier, appuyez sur les leviers **A** sur les côtés du panier et déplacez-le vers le bas.



Nous vous conseillons fortement de ne pas ajuster la hauteur du panier lorsqu'il est chargé.

Ne JAMAIS soulever ou abaisser un seul côté du panier.

VOLETS PLIABLES AVEC POSITIONS AJUSTABLES

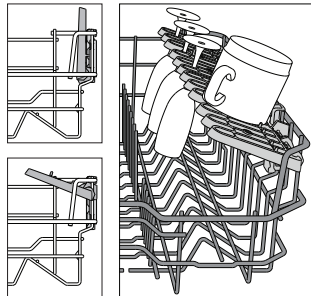
Les volets pliables latéraux peuvent être pliés ou dépliés afin d'optimiser la disposition de la vaisselle à l'intérieur du rack.

Les verres de vin peuvent être placés de façon sécuritaire dans les volets pliables en insérant le pied de chaque verre dans la fente correspondante.

Selon le modèle :

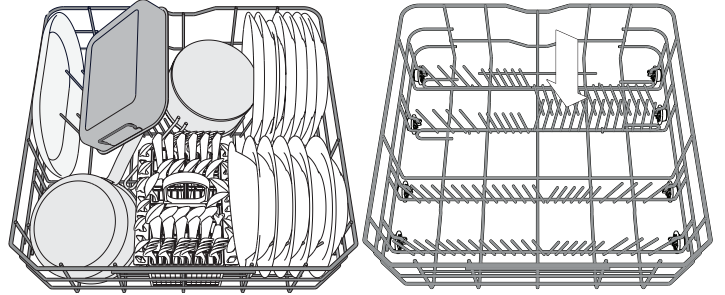
- pour déplier les volets, il est nécessaire de les coulisser vers le haut et de les tourner ou de les libérer des griffes et de les tirer vers le bas.

- pour replier les volets, il est nécessaire de les tourner et de les faire coulisser vers le bas ou de les tirer vers le haut et de fixer les pattes aux griffes.



PANIER INFÉRIEUR

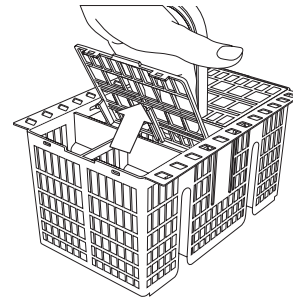
Pour les poêles, les couvercles, les plats, les saladiers, les couverts, etc. Les grands plats et les grands couvercles devraient être placés sur le côté pour éviter qu'ils n'entravent le fonctionnement des bras d'aspersion. Le panier inférieur comprend des supports rabattables qui peuvent être placés en position verticale pour charger des plaques, ou en position horizontale (bas) pour faciliter le chargement des casseroles et des bols de salade.



(exemple de chargement du panier inférieur)

PANIER À COUVERT

Le panier comprend des grilles supérieures pour placer les couverts plus facilement. Le panier à couvert doit uniquement être placé à l'avant du panier inférieur.



Ranger les couteaux et les ustensiles de cuisine pointus et coupants dans le panier à couverts, pointes tournées vers le bas, ou, à plat, sur les clayettes rabattables du panier supérieur.

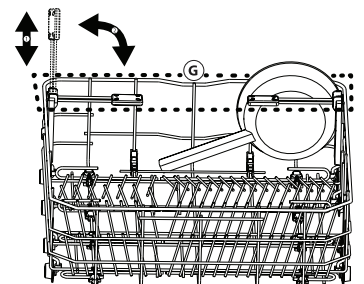
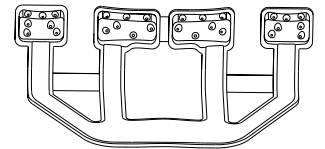
POWER CLEAN SUR LE PANIER INFÉRIEUR

Power Clean® utilise des jets d'eau spéciaux, situés à l'arrière de la cavité, pour laver les articles très sales avec une intensité plus élevée. Le panier inférieur comprend une zone d'espace, un support spécial qui se trouve à l'arrière du panier, qui peut être utilisé pour supporter les poêles à frire et les moules dans une position verticale, prenant ainsi moins de place.

Placez les poêles et les casseroles face à la composante Power Clean® et activez **POWER CLEAN** sur le panneau.

Comment utiliser Power Clean®.

1. Réglez la zone Power Clean® (G) en rabattant les supports pour assiettes arrières pour charger des casseroles.
2. Chargez les grands plats et les casseroles en les inclinant à la verticale dans la zone Power Clean®. Les casseroles doivent être inclinées dans la direction des jets d'eau haute pression.



UTILISATION QUOTIDIENNE

1. VÉRIFIER LE BRANCHEMENT DE L'EAU

Assurez-vous que l'appareil est raccordé à un réseau d'alimentation et que le robinet de l'eau est ouvert.

2. ALLUMER LE LAVE-VAISSELLE

Ouvrez la porte et appuyez sur la touche **MARCHE/ARRÊT**.

3. CHARGER LES PANIERS (voir CHARGEMENT DES PANIERS).

4. REMPLIR DE DISTRIBUTEUR DE DÉTERGENT

5. CHOISIR LE PROGRAMME ET PERSONNALISER LE CYCLE

Sélectionnez le meilleur programme selon le type de vaisselle et le niveau de saleté (voir DESCRIPTION DES PROGRAMMES) en appuyant sur la touche **P**.

Sélectionnez les options désirées (voir OPTIONS ET FONCTIONS).

6. DÉMARRER

Démarrez le cycle de lavage en appuyant sur le bouton **DÉPART/ Pause** (le témoin est allumé) et en fermant la porte dans les 4 secondes. Quand le programme démarre, vous entendez un bip simple. Si la porte n'a pas été fermée dans les 4 secondes, le signal d'alarme est activé. Dans ce cas, ouvrez la porte, appuyez sur le bouton **DÉPART/ Pause** et fermez de nouveau la porte dans les 4 sec.

7. FIN DU CYCLE DE LAVAGE

La fin du cycle de lavage est indiquée par des bips et par le clignotement du nombre de cycles de lavage sur l'écran.

Ouvrez la porte et éteignez l'appareil en appuyant sur la touche **MARCHE/ARRÊT**.

Pour éviter de vous brûler, attendez quelques minutes avant de retirer la vaisselle. Déchargez les paniers en commençant par le panier inférieur.

L'appareil s'éteint automatiquement durant des périodes d'inactivité prolongées pour réduire la consommation d'énergie. Si la vaisselle est légèrement sale ou si elle a été rincée avec à l'eau avant d'être placée dans le lave-vaisselle, réduisez la quantité de détergent utilisée en conséquence.

MODIFIER UN PROGRAMME EN COURS

Si vous avez sélectionné le mauvais programme, vous pouvez le changer, à condition que ce soit fait au tout début du cycle: ouvrir la porte, appuyer sur le bouton **MARCHE/ARRÊT** et le maintenir enfoncé, la machine s'éteindra.

Rallumez l'appareil en appuyant sur la touche **MARCHE/ARRÊT** et sélectionnez le nouveau cycle de lavage et les options désirées ; lancer le cycle en appuyant sur le bouton **DÉPART/ Pause** et en fermant la porte dans les 4 sec.

AJOUTER DE LA VAISSELLE

Sans éteindre la machine, ouvrir la porte (Le voyant **DÉPART/ Pause** commencera à clignoter) (**attention à la vapeur CHAUDE !**) et placer la vaisselle à l'intérieur du lave-vaisselle. Appuyer sur le bouton **DÉPART/ Pause** et fermer la porte dans les 4 sec, le cycle reprendra à l'endroit où il a été interrompu.

INTERRUPTIONS IMPRÉVUES

Si la porte est ouverte pendant le cycle de lavage, ou s'il y a une coupure de courant, le cycle s'arrête. Pour reprendre le cycle à l'endroit où il a été interrompu, appuyer sur le bouton **DÉPART/ Pause** et fermer la porte dans les 4 sec.

AVIS ET CONSEILS

CONSEILS

Avant de charger les paniers, enlevez tous les résidus de nourriture sur la vaisselle et videz les verres. **Vous n'avez pas besoin de rincer la vaisselle avant de la placer dans le lave-vaisselle.**

Placez la vaisselle pour qu'elle tienne bien en place et ne risque pas de tomber; et placez les récipients avec les ouvertures vers le bas et les parties concaves/convexes de côté pour permettre à l'eau d'atteindre toutes les surfaces et couler librement.

Avertissement : les couvercles, poignées, plaques et poêles à frire n'empêchent pas les bras d'aspersion de tourner. Placez les petits articles dans le panier à couvert. La vaisselle et les casseroles très sales devraient être placées sur le panier inférieur car les jets d'eau sont plus forts dans cette section et permet un meilleur rendement lors du lavage. Après avoir chargé l'appareil, assurez-vous que les bras d'aspersion peuvent bouger librement.

VAISSELLE QUI NE CONVIENT PAS

- Vaisselle et couverts en bois.
- Verres décoratifs délicats, produits artisanaux, et vaisselle antique. Les garnitures ne sont pas résistantes.
- Les pièces en matériel synthétique qui ne supportent pas les hautes températures.
- La vaisselle en cuivre ou en étain.
- La vaisselle tachée de cendre, de cire, de graisse lubrifiante, ou d'encre.

Les couleurs des garnitures de verre et des pièces d'aluminium/argent peuvent changer et ternir durant le cycle de lavage. Certains types de verre (p. ex. les objets en cristal) peuvent aussi devenir opaque après plusieurs cycles de lavage.

VERRES ET VAISSELLE ENDOMMAGÉS

- Seulement utiliser des verres ou de la porcelaine qui sont lavables au lave-vaisselle conformément aux recommandations du fabricant.
- Utilisez un détergent doux, adéquat pour la vaisselle.
- Retirez les verres et les couverts du lave-vaisselle aussitôt que le cycle de lavage est terminé

ASTUCES SUR L'ÉCONOMIE D'ÉNERGIE

- Lorsque le lave-vaisselle domestique est utilisé conformément aux instructions du fabricant, **le lavage de la vaisselle dans un lave-vaisselle consomme habituellement MOINS D'ÉNERGIE et d'eau que le lavage à la main.**
- Afin d'optimiser l'efficacité du lave-vaisselle, il est recommandé de **débuter le cycle de lavage une fois que le lave-vaisselle est totalement chargé.** Le chargement du lave-vaisselle domestique jusqu'à la capacité indiquée par le fabricant contribuera à économiser de l'énergie et de l'eau. Vous trouverez des informations sur le chargement correct de la vaisselle dans le chapitre CHARGEMENT DES PANIERS. En cas de chargement partiel, il est recommandé d'utiliser des options de lavage spécifiques si elles sont disponibles (Demi-charge / Zone Wash/ Multizone), en remplissant uniquement les paniers sélectionnés. Un chargement incorrect ou une surcharge du lave-vaisselle peut augmenter l'utilisation des ressources (telles que l'eau, l'énergie et le temps, et augmenter le niveau de bruit), en réduisant les performances de nettoyage et de séchage.
- Un pré-rinçage manuel des éléments de vaisselle provoque une augmentation de la consommation d'eau et d'énergie et n'est pas recommandé.

HYGIÈNE

Pour éviter les odeurs et les dépôts qui pourraient s'accumuler dans le lave-vaisselle, **lancer un programme à haute température au moins une fois par mois.** Utilisez une cuillère à café de détergent et lancer le programme sans vaisselle pour nettoyer l'appareil.

NETTOYAGE ET ENTRETIEN

NETTOYER L'ENSEMBLE FILTRE

Nettoyez régulièrement l'ensemble filtre pour éviter qu'il ne se bouche et pour permettre aux eaux usées de bien s'éliminer.

L'utilisation du lave-vaisselle avec des filtres obstrués ou des objets étrangers à l'intérieur du système de filtration ou des bras de pulvérisation peut provoquer un dysfonctionnement de l'unité provoquant une perte de performances, un fonctionnement bruyant ou une utilisation supérieure des ressources.

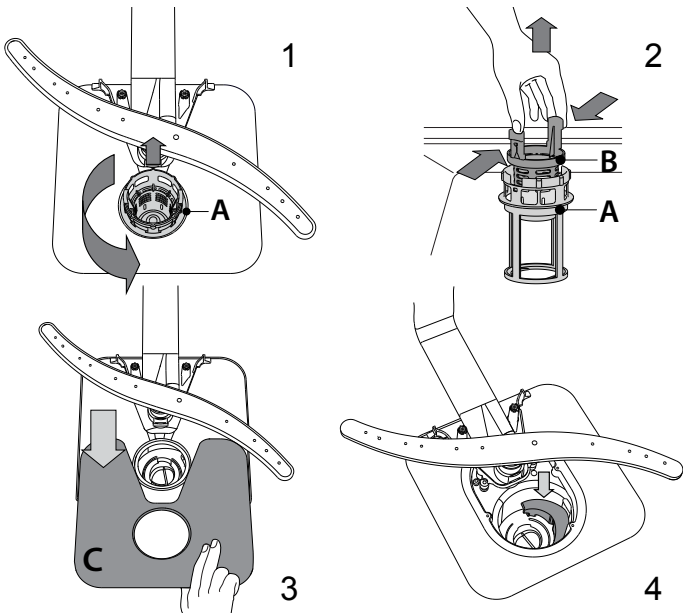
L'ensemble filtre comprend trois filtres qui séparent les résidus de nourriture de l'eau de lavage pour ensuite faire circuler l'eau.

N'utilisez pas le lave-vaisselle sans les filtres ou si un filtre est mal ajusté.

Au moins une fois par mois ou tous les 30 cycles, vérifiez l'assemblage du filtre et si nécessaire, nettoyez-le minutieusement sous l'eau courante, en utilisant une brosse non-métallique et en suivant les instructions ci-dessous :

1. Tournez le filtre cylindrique **A** dans le sens antihoraire et retirez-le (Fig. 1).
2. Enlevez le panier du filtre **B** en appliquant une légère pression sur les volets latéraux (Fig. 2).
3. Retirez la plaque du filtre en acier inoxydable **C** (Fig. 3).
4. Si vous trouvez des objets étrangers (comme du verre brisé, de la porcelaine, des os, des pépins de fruits, etc), enlevez-les minutieusement.
5. Inspecter la cavité et enlever les résidus de nourriture.

NE JAMAIS ENLEVER la protection de la pompe du cycle de lavage (détails en couleur noir) (Fig 4).



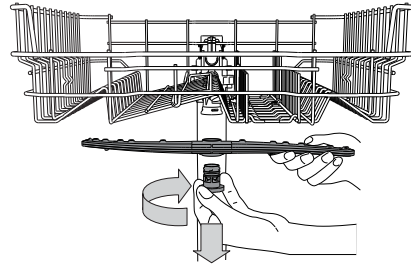
Après avoir nettoyé les filtres, assemblez de nouveau l'ensemble filtre et remettez-le en place correctement; c'est très important pour que le lave-vaisselle garde son efficacité.

NETTOYER LE TUYAU D'ARRIVÉE D'EAU

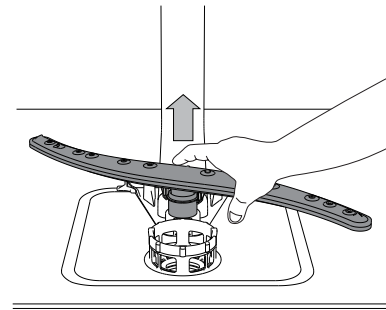
Si les tuyaux d'eau sont neufs ou s'ils n'ont pas été utilisés depuis longtemps, laissez l'eau couler pour vous assurer qu'il n'y a pas d'impureté ou de saleté avant de les brancher. Si vous n'effectuez pas cette opération, l'arrivée d'eau pourrait se boucher et endommager le lave-vaisselle.

NETTOYER LES BRAS D'ASPERSION

À l'occasion, des résidus de nourriture s'incrustent dans les bras d'aspersion et bloquent les trous utilisés pour asperger de l'eau. Il est donc conseillé de vérifier les bras de temps en temps et de les nettoyer avec une petite brosse non métallique.



Pour enlever le gicleur supérieur, tournez l'anneau de verrouillage en plastique dans le sens horaire. Le bras d'aspersion supérieur doit être replacé de façon que le côté avec le plus grand nombre de trous est placé vers le haut.



Le bras d'aspersion inférieur peut être enlevé en le tirant vers le haut.

SYSTÈME ADOUCISSEUR D'EAU

L'adoucisseur d'eau réduit automatiquement la dureté de l'eau, en empêchant ainsi la formation de calcaire sur la résistance, et en contribuant également à une meilleure performance de nettoyage.

Ce système se régénère avec du sel, il est donc nécessaire de remplir le bac de sel lorsqu'il est vide.



La fréquence de régénération dépend du réglage du niveau de dureté de l'eau - la régénération a lieu une fois tous les **6** cycles Eco avec un niveau de dureté de l'eau réglé à **3**.

Le processus de régénération débute lors du rinçage final et se termine en phase de séchage avant la fin du cycle.

- Une régénération simple consomme : ~3,5 L d'eau ;
- Prend jusqu'à 5 minutes supplémentaires pour le cycle ;
- Consomme moins de 0,005 kWh d'énergie.

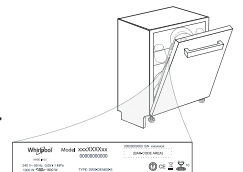
DÉPANNAGE

Si votre lave-vaisselle ne fonctionne pas correctement, vérifiez si le problème peut être résolu en suivant la liste ci-après. Pour d'autres erreurs ou problèmes, contactez le Service après-vente agréé dont les coordonnées peuvent être trouvées dans le livret de garantie. Les pièces de rechange seront disponibles pour une période allant jusqu'à 7 ou jusqu'à 10 ans, selon les exigences spécifiques du règlement.

PROBLÈMES	CAUSES POSSIBLES	SOLUTIONS
 L'indicateur de sel est allumé	Le réservoir de sel est vide. (Après le remplissage, il est possible que le voyant du niveau de sel régénérant ne s'éteigne qu'au bout de plusieurs cycles de lavage).	Remplissez le réservoir de sel régénérant (pour plus d'informations, reportez-vous à la page 2). Réglez la dureté de l'eau - reportez-vous au tableau de la page 2.
 Le voyant de liquide de rinçage est allumé	Le distributeur de liquide de rinçage est vide. (Après le remplissage, il est possible que le voyant du niveau de liquide de rinçage ne s'éteigne qu'au bout de plusieurs cycles de lavage).	Remplissez le distributeur de liquide de rinçage (pour plus d'informations, reportez-vous à la page 2).
Le lave-vaisselle ou les commandes ne fonctionnent pas.	L'appareil n'est pas bien branché.	Insérez la fiche dans la prise de courant.
	Panne de courant.	Pour des raisons de sécurité, le lave-vaisselle ne redémarrera pas automatiquement lors du retour de l'alimentation électrique. Ouvrez la porte du lave-vaisselle, appuyez sur le bouton DÉPART/Pause, et fermez la porte dans les 4 secondes.
	La porte du lave-vaisselle n'est pas fermée. Broche NaturalDry non entrée.	Poussez vigoureusement la porte pour entendre le « clic ».
	Le cycle est interrompu par une ouverture de la porte supérieure à 4 secondes.	Appuyer sur DÉPART/Pause et fermer la porte dans les 4 secondes
Le lave-vaisselle ne se vidange pas. L'afficheur indique : 3 et le voyant MARCHE/ARRÊT clignote rapidement.	Le cycle de lavage n'est pas encore terminé.	Attendre que le cycle se termine.
	Le tuyau de vidange est plié. Le conduit de vidange de l'évier est bouché. Le filtre est bouché par des résidus de nourriture.	Assurez-vous que le tuyau de vidange n'est pas plié (voir <i>CONSIGNES D'INSTALLATION</i>). Nettoyez le conduit de vidange de l'évier. Nettoyez le filtre (voir <i>NETTOYAGE DE L'ENSEMBLE FILTRE</i>).
Le lave-vaisselle fait beaucoup de bruit.	La vaisselle s'entrechoque.	Remplacez la vaisselle (voir <i>CHARGEMENT DES PANIERS</i>).
	Il y a une trop grande quantité de mousse.	Le détergent a été mal mesuré ou il n'est pas adéquat pour les lave-vaisselles (voir <i>REMPLIR LE DISTRIBUTEUR DE DÉTERGENT</i>). Relancez le cycle en cours en éteignant le lave-vaisselle, puis en le rallumant, sélectionnez un nouveau programme, appuyez sur DÉPART/Pause et fermez la porte dans les 4 secondes. Merci de ne pas ajouter de détergent.
La vaisselle n'est pas propre.	La vaisselle n'est pas bien placée.	Remplacez la vaisselle (voir <i>CHARGEMENT DES PANIERS</i>).
	Les bras d'aspersion ne bougent pas librement, ils sont gênés par la vaisselle.	Remplacez la vaisselle (voir <i>CHARGEMENT DES PANIERS</i>).
	Le cycle de lavage est trop délicat.	Sélectionnez le cycle de lavage approprié (voir <i>TABLEAU DES PROGRAMMES</i>).
	Il y a une trop grande quantité de mousse.	Le détergent a été mal mesuré ou il n'est pas adéquat pour les lave-vaisselles (voir <i>REMPLIR LE DISTRIBUTEUR DE DÉTERGENT</i>).
	Le bouchon du compartiment de liquide de rinçage n'est pas bien fermé.	Assurez-vous que le bouchon du distributeur de liquide de rinçage est fermé.
	Le filtre est sale ou bouché.	Nettoyez l'ensemble de filtre (voir <i>NETTOYAGE ET ENTRETIEN</i>).
L'eau n'arrive pas au lave-vaisselle. L'afficheur indique : H, 6 et le voyant MARCHE/ARRÊT clignote rapidement.	L'alimentation d'eau est vide ou le robinet est fermé.	Assurez-vous qu'il y a de l'eau dans le circuit d'alimentation ou que le robinet est ouvert.
	Le tuyau d'arrivée est plié.	Assurez-vous que le tuyau d'entrée n'est pas plié (voir <i>INSTALLATION</i>) reprogrammez le lave-vaisselle et relancez-le.
	Le tamis dans le tuyau d'arrivée d'eau est obstrué ; il est nécessaire de le nettoyer.	Après avoir complété la vérification et le nettoyage, éteignez et rallumez le lave-vaisselle et redémarrez le programme.
Le lave-vaisselle termine le cycle prématurément L'afficheur indique : 15 et le voyant MARCHE/ARRÊT clignote rapidement.	Le tuyau de vidange est positionné trop bas ou se vide dans le système d'évacuation domestique.	Vérifiez si l'extrémité du tuyau de vidange est placée à la hauteur correcte (voir <i>INSTALLATION</i>). Vérifiez la vidange dans le système d'évacuation domestique, installez une vanne d'admission d'air si nécessaire.
	De l'air est présent dans l'alimentation en eau.	Vérifiez si l'alimentation en eau présente des fuites ou d'autres problèmes laissant entrer de l'air.

Vous trouverez les documents normatifs, la documentation standard, le classement des pièces de rechange et des informations supplémentaires sur les produits:

- En utilisant le QR code sur votre produit.
- En visitant notre site web docs.whirlpool.eu/docs et parts-selfservice.europeanappliances.com
- Vous pouvez également **contacter notre Service après-vente** (voir numéro de téléphone dans le livret de garantie). Lorsque vous contactez notre Service après-vente, veuillez indiquer les codes figurant sur la plaque signalétique de l'appareil.



Les informations relatives au modèle peuvent être trouvées en utilisant le QR-Code figurant sur l'étiquette énergétique. L'étiquette comprend également l'identifiant du modèle qui peut être utilisé pour consulter le portail du registre sur le site <https://eprel.ec.europa.eu>



400020009316

07/2024 jk - Xerox Fabriano



MINDENNAPI HASZNÁLATI ÚTMUTATÓ



KÖSZÖNJÜK, HOGY A WHIRLPOOL TERMÉKÉT VÁLASZTOTTA! Teljes körű támogatásért kérjük, regisztrálja termékét honlapunkon: www.whirlpool.eu/register

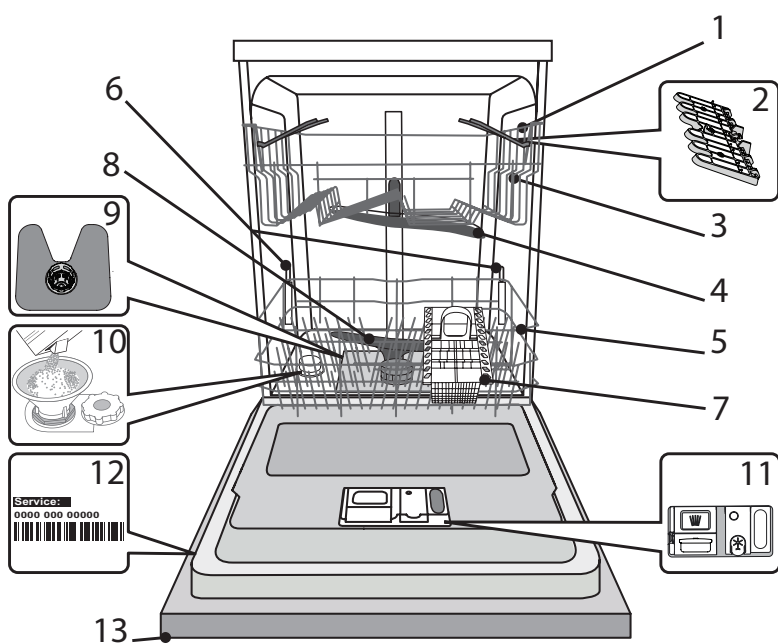
A RÉSZLETESEBB INFORMÁCIÓKÉRT KÉRJÜK, SZKENNELJE BE A KÉSZÜLÉKEN TALALHATÓ QR KÓDOT



A készülék használata előtt olvassa el figyelmesen a Biztonsági útmutatót.

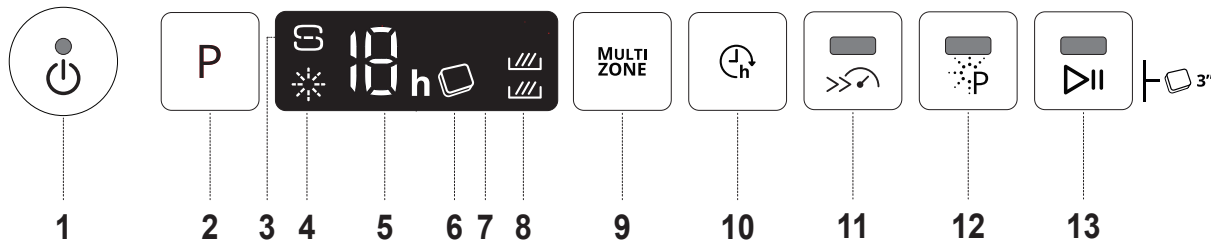
A TERMÉK BEMUTATÁSA

KÉSZÜLÉK



1. Felső kosár
2. Lehajtható polcok
3. Felső kosár magasságbeállítója
4. Felső permetezőkar
5. Alsó kosár
6. Power Clean® (Intenzív mosogatás) tartók
7. Evőeszközkosár
8. Alsó permetezőkar
9. Szűrőegység
10. Sótartály
11. Mosogatószer- és öblítőszer-adagoló
12. Adattábla
13. Kezelőpanel

KEZELŐPANEL



1. Be/Ki/Újraindítás gomb és jelzőfény
2. Programválasztó gomb
3. Só utántöltése jelzőfény
4. Öblítőszer utántöltése jelzőfény
5. Program száma és a késleltetés kijelzése
6. Tabletta (Tab) jelzőfény
7. Kijelző
8. Multizone jelzőfénye
9. Multizone gomb
10. Késleltetés gomb
11. Turbo gomb és jelzőfény
12. Power Clean® gomb és jelzőfény
13. Indítás/Szünet gomb és jelzőfény / Tabletta (Tab)

ELSŐ HASZNÁLAT SÓ, ÖBLÍTŐSZER ÉS MOSOGATÓSZER


TANÁCSOK AZ ELSŐ HASZNÁLATHOZ

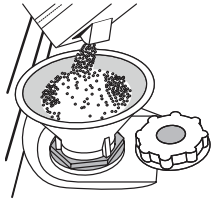
Az üzembe helyezés után távolítsa el az ütközőket a kosarakról és a rugalmas rögzítőelemeket a felső kosárról.

A SÓTARTÁLY FELTÖLTÉSE

Só használatával elkerülhető, hogy VÍZKŐ képződjön az edényeken és a gép funkcionális alkatrészein.

- Feltétlenül szükséges, hogy a **SÓTARTÁLY SOHA NE LEGYEN ÜRES.**
- Fontos, hogy a vízkeménység be legyen állítva.

A sótartály a mosogatógép alsó részén található (lásd **TERMÉK BEMUTATÁSA**), és akkor kell feltölteni, amikor a kezelőpanelen az, **SÓ UTÁNTÖLTÉSE** jelzőfény  világítani kezd.



1. Vegye ki az alsó kosarat, és csavarja ki a tartály kupakját (az óramutató járásával ellentétes irányba).
2. **Csak a legelső használatkor: tölts fel vízzel a sótartályt!**
3. Helyezze be a tölcsért (lásd az ábrát), és tölts fel teljesen a sótartályt (ehhez kb. 1 kg só szükséges). Előfordulhat, hogy egy kevés víz kifolyik a rekeszből.
4. Vegye ki a tölcsért, és törölje le az esetlegesen kiszóródott sót a nyílás környékéről.

Zárja vissza szorosan a kupakot úgy, hogy a mosogatási program során ne kerülhessen mosogatószer a tartályba (ellenkező esetben a vízlágyító helyrehozhatatlanul károsodhat).

Ha esedékes a só hozzáadása, mindenképpen el kell végezni az eljárást a mosogatási ciklus megkezdése előtt a korrózió elkerülése érdekében.

A VÍZKEMÉNYSÉG BEÁLLÍTÁSA

A vízlágyító akkor működik tökéletesen, ha a vízkeménységet a lakóhelyén elérhető víz tényleges keménysége alapján állítja be. Ezzel kapcsolatban érdeklődjön a helyi vízműveknél.

A gyár beállítja a vízkeménység alapértelmezett értékét.

- Kapcsolja be a készüléket a **BE/KI** gombbal.
- Kapcsolja ki a készüléket a **BE/KI** gombbal.
- Nyomja meg és tartsa lenyomva a **P** gombot 5 másodpercig, amíg sípolás nem hallatszik.
- Kapcsolja be a készüléket a **BE/KI** gombbal.
- Villogni kezd az aktuálisan kiválasztott szintet jelző szám és asótöltetet jelző fény.
- Nyomja meg a **P** gombot a kívánt keménységi szint kiválasztásához (lásd **VÍZKEMÉNYSÉGI TÁBLÁZAT**).

Vízkeménységi táblázat

Szint	°dH Német rendszer	°fH Francia rendszer	°Clark Angol rendszer
1 Lágy	0 - 6	0 - 10	0 - 7
2 Közepes	7 - 11	11 - 20	8 - 14
3 Átlagos	12 - 16	21 - 29	15 - 20
4 Kemény	17 - 34	30 - 60	21 - 42
5 Nagyon kemény	35 - 50	61 - 90	43 - 62

- Kapcsolja ki a készüléket a **BE/KI** gombbal.
- A beállítás megtörtént.

Ezután edények nélkül futtasson le egy programot.

Kizárólag mosogatógépekhez készült sót használjon.

Miután sót öntött a készülékbe, a „SÓ UTÁNTÖLTÉSE” jelzőfény kialszik.

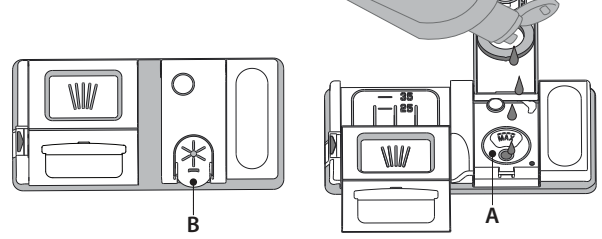
Ha nem tölti fel a sótartályt, a vízlágyító és a fűtőelem a vízkő felhalmozódása miatt károsodhat.

Só használata bármilyen mosogatószer mellett ajánlott.

AZ ÖBLÍTŐSZER-ADAGOLÓ FELTÖLTÉSE

Az öblítőszerezrel könnyebben SZÁRADNAK az edények.

Az öblítőszerezadagoló **A** akkor kell feltölteni, ha az **ÖBLÍTŐSZER UTÁNTÖLTÉSE** jelzőfény  világít a kezelőpanelen.



1. Nyissa ki az adagolót **B** úgy, hogy a fedélen lévő fület lenyomja, majd felfelé húzza.
2. Óvatosan öntse be az öblítőszert. Ne lépje túl a tartályban jelölt maximális mennyiséget (110 ml), és ne öntse ki a folyadékot. Ha ez mégis megtörténik, azonnal törölje fel a kiömlött folyadékot egy száraz ruhával.
3. Csukja vissza a fedelet: ehhez nyomja le, amíg kattanas nem hallatszik. **SOHA ne öntse az öblítőszert közvetlenül a mosogatótérbe.**

AZ ÖBLÍTŐSZER ADAGOLÁSA

Ha nem elégedett a szárítási eredménnyel, módosítsa a használt öblítőszerez mennyiségét.

- Kapcsolja be a mosogatógépet a **BE/KI** gombbal.
- Kapcsolja ki a készüléket a **BE/KI** gombbal.
- Nyomja meg háromszor a **P** gombot, ekkor sípolás hallatszik.
- Kapcsolja be a készüléket a **BE/KI** gombbal.
- Az aktuálisan kiválasztott szintet jelző szám és az öblítőszerez jelzőfénye villog.
- Az adagolandó öblítőszerez mennyiségét jelző szint beállításához nyomja meg a **P** gombot.
- Kapcsolja ki a készüléket a **BE/KI** gombbal.

A beállítás megtörtént.

Ha az öblítőszerez szintjét 0-ra állítja (ÖKO), a készülék nem adagol öblítőszerez. Az **ÖBLÍTŐSZER UTÁNTÖLTÉSE** jelzőfény nem fog kigyulladni, amikor kifogy az öblítőszerez.

A mosogatógép típusától függően legfeljebb 5 szint állítható be. A gyári beállítás a modelltől függ – az adott készüléken történő meghatározáshoz kövesse a fenti utasításokat.

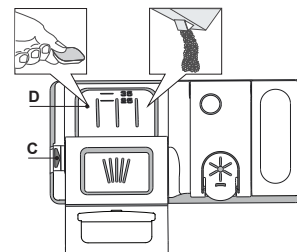
- Ha kékes csíkok jelennek meg az edényeken, alacsony értéket állítson be (1-2).
- Ha vízcspekpek vagy vízkő látható az edényeken, magas értéket állítson be (3-4).

A MOSOGATÓSZER-ADAGOLÓ FELTÖLTÉSE

A mosogatószerez-adagoló nyitására használja az C eszközt.

A mosogatószerez kizárólag a száraz D adagolóba önthető.

Az előmosogatóshoz használt mosogatószerez közvetlenül a mosogatótérbe helyezze.



1. A mosogatószerez kimérésekor a helyes mennyiség meghatározását az eddigi információk alapján végezze. A mosogatószerez-adagoló **D** belsejében elhelyezett jelzések segítenek a megfelelő mennyiség meghatározásában.
2. Törölje le a kiömlött mosogatószerez az adagoló széléből, majd zárja vissza a fedelet kattanasig.
3. Zárja vissza a mosogatószerez-adagoló fedelét: húzza felfelé, amíg a zárszerkezet rögzül.

A mosogatószerez-adagoló automatikusan kinyílik, amikor a program az adott szakaszba ér.

Kombinált mosogatószerez használatkor javasoljuk, hogy nyomja meg a **TABLETTA** gombot. Ezzel a program úgy módosul, hogy a legjobb mosogatósi és szárítási eredményt nyújtsa.

A nem mosogatógéphez készült mosogatószerez használata a készülék hibás működését vagy sérülését okozhatja.

PROGRAMTÁBLÁZAT

Program	Szárítási fázis	Natural-Dry	Választható beállítások *)	A mosogatási program időtartama (óra:perc)**)	Vízfogyasztás (liter/ciklus)	Energiafogyasztás (kWh/ciklus)	
1. Öko	ECO 50°	✓	✓		3:10	6,5	0,85
2. 6 th Sense®	50-60°	✓	✓	MULTI ZONE	1:25 - 3:00	7,0 - 14,0	0,90 - 1,40
3. Intenzív	65°	✓	✓	MULTI ZONE	2:50	14,0	1,50
4. Gyors mosogatás és szárítás	50°	✓	✓	MULTI ZONE	1:25	11,5	1,10
5. Kristálypohár	45°	✓	✓	MULTI ZONE	1:40	11,5	1,20
6. Gyors 30'	50°	-	-	MULTI ZONE	0:30	9,0	0,50
7. Halk	50°	✓	✓		3:30	15,0	1,15
8. Fertőtlenítő	65°	✓	-		1:40	10,0	1,30
9. Előmosogatás	-	-	-	MULTI ZONE	0:12	4,5	0,01
10. Öntisztítás	65°	-	-		1:35	14,0	1,15

Az ÖKO program adatainak mérése laboratóriumi körülmények között, az EN 60436:2020 európai szabvány előírásainak megfelelően történt. Megjegyzés a vizsgáló laboratóriumok számára: az EN összehasonlító vizsgálatának körülményeivel kapcsolatos információkért írjon a következő címre: dw_test_support@europeanappliances.com.

Az edények előkezelése egyik programnál sem szükséges.

*) Nem minden opció használható egyszerre.

***) Az energiatakarékos programtól eltérő programokhoz megadott értékek csak tájékoztató jellegűek. A tényleges időtartam számos tényezőtől függ, mint például a belépő víz hőmérsékletétől és nyomásától, a helyiség hőmérsékletétől, a mosogatószer mennyiségétől, az edények mennyiségétől és típusától, a súlyelosztástól, a kiválasztott kiegészítő funkcióktól és az érzékelő kalibrációjától. Az érzékelő kalibrációja akár 20 perccel is növelheti a program hosszát.

A PROGRAMOK BEMUTATÁSA

Utasítások a mosogatási ciklus kiválasztásához.

1 ÖKO

Az energiatakarékos programmal átlagosan szennyezett edényeket tisztít, amely a kombinált energia- és vízfogyasztása miatt a leghatékonyabb program, és a segítségével kiértékelhető, hogy a készülék megfelel-e az EU energiatakarékos kivitelre vonatkozó jogszabályának.

2 6th SENSE®

Normál szennyezettségű edényekhez, melyeken rászáradt ételmaradék található. Érzékeli a szennyezettség szintjét az edényeken, és a programot ennek megfelelően állítja be. Amikor az érzékelő a szennyezettségi szintet méri fel, a kijelzőn egy animáció látható, és frissül a mosogatási ciklus időtartama.

3 INTENZÍV

Erősen szennyezett edényekhez ajánlott program, amely különösen serpenyőkhoz és sütőedényekhez ideális (kényes edényekhez nem használható).

4 GYORS MOSOGATÁS ÉS SZÁRÍTÁS

Normál mértékben szennyezett edényekhez használható. Mindennap használható program, amely rövid idő alatt optimális mosogatási és szárítási eredményt nyújt.

5 KRISTÁLYPOHÁR

Program az olyan kényes edényekhez, melyek az átlagnál érzékenyebbek a magas hőmérsékletre (például üveg poharak, csészék).

6 GYORS 30'

Program fél töltes enyhén szennyezett edényhez, amelyen nincs rászáradt ételmaradék. Nem rendelkezik szárítási szakasszal.

7 HALK

Ha a készüléket éjszaka kívánja működtetni, ez a megfelelő program. Optimális mosogatási és szárítási eredményt nyújt a legalacsonyabb zajszint mellett.

8 FERTŐTLENÍTŐ

Normál vagy erősen szennyezett edényekhez használható program, amely egy kiegészítő antibakteriális mosogatást is tartalmaz. A mosogatógép karbantartására is használható.

9 ELŐMOSOGATÁS

Az edények frissítéséhez, amennyiben azokat később szeretné elmosogatni. Ehhez a programhoz nem kell mosogatószert használni.

10 ÖNTISZTÍTÁS

A mosogatógép karbantartására szolgáló programot csak akkor alkalmazza, ha a mosogatógép ÜRES, valamint használjon a mosogatógép karbantartására alkalmas, speciális tisztítószert.

Megjegyzések:

Vegye figyelembe, hogy a Gyors 30' program enyhén szennyezett edényekhez használható.

OPCIÓK ÉS FUNKCIÓK

Az OPCIÓK kiválasztásához nyomja meg a megfelelő gombot (lásd: KEZELŐPANEL).

Ha valamely opció nem kompatibilis a kiválasztott programmal (lásd: PROGRAMOK TÁBLÁZATA), a megfelelő LED háromszor gyorsan felvillan, és sípoló hangjelzések hallhatók. Az opció nem aktív.

MULTI MULTIZONE

ZONE Ha nincs sok mosatlan edény, vizet, áramot és mosogatószert takaríthat meg úgy, hogy fél töltettel indítja el a készüléket. Válassza ki a programot, majd nyomja meg a MULTIZONE gombot: megjelenik a választott kosárhoz tartozó szimbólum a kijelzőn. Alapértelmezett beállításként a készülék mindkét kosárban elvégzi a mosogatóást. Ha csak az egyik kosár tartalmát szeretné elmosni, nyomja meg többször a gombot:



látható a kijelzőn (csak az alsó kosár aktív)



látható a kijelzőn (csak a felső kosár aktív)



látható a kijelzőn (a beállítás KI VAN KAPCSOLVA, a készülék az összes kosár tartalmát elmossa).

Ne feleddje, hogy elegendő csak a felső vagy az alsó kosarat megtölteni, és ennek megfelelően csökkenthető a mosogatószer mennyisége is.

Ha a felső kosár ki van véve, a mosogatószert közvetlenül a tartályba adagolja, ne a mosogatószer-adagolóba.

KÉSLELTETÉS

A program indítása 1–12 órával késleltethető.

1. Nyomja meg a KÉSLELTETÉS gombot: a kijelzőn kigyullad a megfelelő „h” szimbólum; a gomb minden megnyomása-kor nő a beállított mosogatóási ciklus indításáig hátralévő idő (1 óra, 2 óra stb., de legfeljebb 12 óra).
2. Válassza ki a mosogatóási programot, nyomja meg a INDÍTÁS/SZÜNET gombot, és zárja be az ajtót 4 másodpercen belül. Az időzítő elkezd a visszaszámlálást.
3. A beállított idő leteltekor kialszik a „h” jelzőfény, és elindul a mosogatóási ciklus.

A késleltetési idő módosításához, azaz rövidebb idő kiválasztásához nyomja meg a KÉSLELTETÉS gombot. A késleltetés törléséhez nyomja meg többször egymás után a gombot, amíg a késleltetett indításhoz tartozó „h” jelzőfény kialszik.

A KÉSLELTETÉS funkció nem állítható be, ha a mosogatóási ciklus már fut.

TURBO

Ezzel az opcióval a fő programok hossza lerövidíthető úgy, hogy a mosogatóási és szárítási teljesítmény változatlan marad. A program kiválasztása után nyomja meg a TURBO gombot. A jelzőfény kigyullad. A beállítás törléséhez nyomja meg ismét a gombot.

VÍZKERINGTETŐ RENDSZER

Ezzel a mosogatógéppel akár 3 liter vizet is megtakaríthat az Öko program használata esetén. A megtakarított víz szűrés után egy erre a célra alkalmas tartályban tárolódik, és a készülék egy következő Öko program során használja fel. Ha az Öko ciklust három vagy több napon át nem használja, higiéniai okokból erősen ajánlott a mosogatógép tisztítási ciklusának lefuttatása. Ezt megteheti az öntisztítási ciklus használatával (lásd a programtáblázatot).



POWER CLEAN®

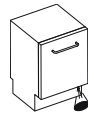
A nagynyomású vízugaraknak köszönhetően ez az opció intenzívebb és hatékonyabb mosogatóást biztosít az alsó kosár meghatározott területén. Ez az opció lábasok és tálak mosogatóásához ajánlott. A gomb megnyomásával aktiválhatja a POWER CLEAN funkciót (a jelzőfény kigyullad).



TABLETTA (TAB)

Ezzel a beállítással a használt mosogatószer típusának megfelelően optimalizálható a program hatékonysága. Ha tablettá formájában kombinált (öblítőt, sót és mosogatószert egyaránt tartalmazó) mosogatószert használ, nyomja meg és tartsa lenyomva a INDÍTÁS/SZÜNET gombot 3 másodpercig (kigyullad a megfelelő szimbólum).

Ha mosogatóport vagy folyékony mosogatószert használ, ezt az opciót ki kell kapcsolni.



MŰKÖDÉS KIJELZŐJE

A padlóra vetített LED-fény jelzi, hogy a mosogatógép működik. A következő üzemmódok választhatók ki:

- a) Kikapcsolt funkció.
- b) A ciklus indításakor a jelzőfény néhány másodpercig világít, a ciklus időtartama alatt nem világít, míg a ciklus végén villog.
- c) A jelzőfény a ciklus időtartama alatt világít, majd a ciklus végén villog (alapértelmezett beállítás).

Ha a késleltetett indítás aktív, a jelzés világít a visszaszámlálás első néhány másodpercében vagy a teljes hossza alatt (attól függően, hogy a b) vagy c) üzemmódot választotta).

Az ajtó nyitásakor a fény kialszik. A kívánt üzemmód kiválasztásához kapcsolja be a gépet, nyomja meg és tartsa lenyomva a P gombot, amíg a három betű valamelyike meg nem jelenik a kijelzőn, majd nyomja meg a P gombot többször egymás után, amíg meg nem jelenik a kívánt betű (vagy üzemmód). A kiválasztás megerősítéséhez tartsa lenyomva a P gombot.

Megjegyzés: Ha a NaturalDry aktív és kinyitja az ajtót, a működés kijelzője nem villog a ciklus végén.

NaturalDry

NaturalDry egy olyan konvekciós szárítórendszer, amely automatikusan kinyitja az ajtót a szárítási fázis közben/után a folyamatos, kiemelkedően jó szárítási eredmény érdekében. Az ajtó csak olyan hőmérsékleten nyílik ki, amely nem károsítja a konyhaszekrényeket, tehát a TURBO funkció során az ajtó nem fog kinyílni.

A gőz ellen további védelmet nyújt a mosogatógéphez mellékel, külön erre a célra tervezett védőfólia. A védőfólia felhelyezésének lépéseit az ÜZEMBE HELYEZÉSI ÚTMUTATÓBAN találja.

A NaturalDry működését a felhasználó kikapcsolhatja:

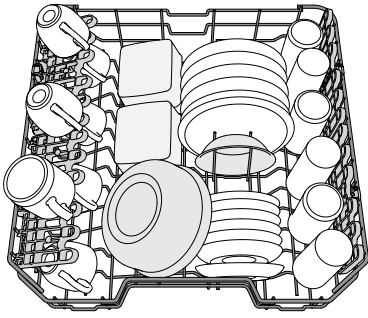
1. Lépjen be a mosogatógép szoftver menüjébe a P gomb nyomva tartásával (kb. 6 másodpercig).
2. Ekkor a Light Control (Fényszabályzás) menü nyílik meg (lásd MŰKÖDÉS KIJELZŐJE leírása). Ha nem kíván semmit átállítani, nyomja meg ismét és tartsa lenyomva a P gombot (amíg a három betű valamelyike meg nem jelenik a kijelzőn).
3. Ekkor megjelenik a NaturalDry Control (NaturalDry vezérlés) menü, ahol a P gombbal ki- vagy bekapcsolhatja a NaturalDry funkciót:

E – engedélyez **d** – letilt

A beállítás jóváhagyásához és a menüből való kilépéshez tartsa nyomva a P gombot (3 másodpercig).

A KOSARAK MEGTÖLTÉSE

FELSŐ KOSÁR



(Példa a megtöltött felső kosárra)

Ide helyezhetők a kényesebb és könnyű edények, például poharak, csészék, tálkák, kis salátástálak.

A FELSŐ KOSÁR MAGASSÁGÁNAK BEÁLLÍTÁSA

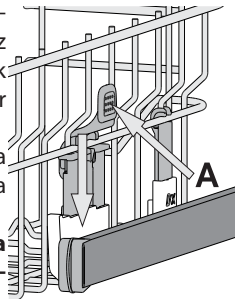
A felső kosár magassága állítható. Ha a felső állásba állítja, az alsó kosárba nagyobb edények helyezhetők; ha az alsó állásba állítja, maximálisan kihasználhatók a lehajtható rögzítőelemek: függőlegesen több hely áll rendelkezésre, és az alsó kosárba pakolt edényeknek is elegendő hely jut.

A **felső kosár magasságbeállítóval** rendelkezik (lásd az ábrát). Magasabbra állításához fogja meg a kosár két oldalát, és az emelőkarok megnyomása nélkül emelje azt feljebb. A kosár a felső helyzetbe áll.

Az alsó helyzetbe állításához nyomja meg a kosár két oldalán lévő emelőkarokat A, és tolja lefelé a kosarat.

Kifejezetten javasoljuk, hogy ne módosítsa a kosár magasságát akkor, amikor a kosárban edények találhatók.

A kosár lejjebb vagy feljebb helyezésekor SOHA ne csak az egyik oldal magasságát módosítsa.



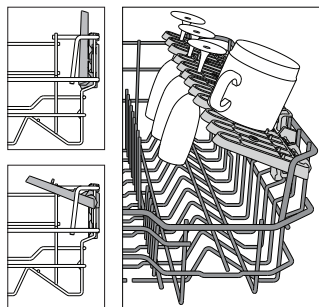
ÁLLÍTHATÓ MAGASSÁGÚ LEHAJTHATÓ POLCOK

A kosárban lévő edények optimális elrendezése érdekében az oldalsó polcok fel- és lehajthatók.

A borospoharak biztonságosan helyezhetők a lehajtható polcokra: a poharak talpát illessze a megfelelő nyílásokba.

Készüléktypustól függően:

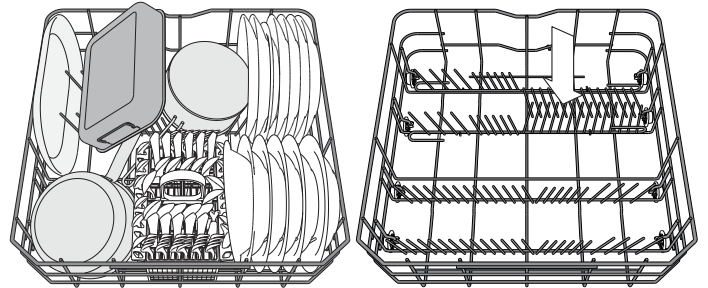
- a polcok lehajtásához csúsztassa azokat fel és forgassa el, vagy vegye ki a rögzítőkből és húzza lefelé.
- a polcok felhajtásához forgassa azokat el és csúsztassa lefelé, vagy húzza felfelé és rögzítse.



ALSÓ KOSÁR

Ide fазekak, fedők, tányérok, salátástálak, evőeszközök stb. pakolhatók. A nagyobb tányérok és fedőket lehetőség szerint a kosár szélére helyezze, hogy biztosan ne érjenek a szórókarokhoz.

Az alsó kosár lehajtható tartóelemekkel rendelkezik: függőleges helyzetbe állítva tányérok, vízszintes (leengedett) helyzetbe állítva pedig tálakat, lábasokat pakolhat be egyszerűen.

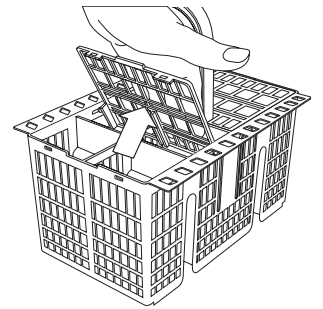


(Példa a megtöltött alsó kosárra)

EVŐESZKÖZKOSÁR

A kosár felső ráccsal rendelkezik, melynek segítségével jobban elrendezhetők az evőeszközök. Az evőeszközkosár kizárólag az alsó kosár elülső részére helyezhető.

A késeket és egyéb éles eszközöket hegyükkel lefelé rakja az evőeszközkosárba, vagy helyezze azokat vízszintesen a felső kosár lehajtható tartóelemeire.



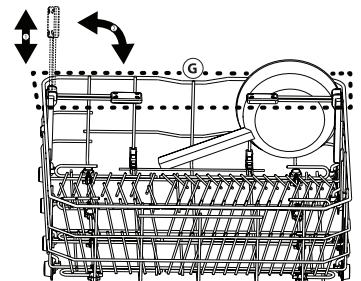
POWER CLEAN® AZ ALSÓ KOSÁRBAN

A Power Clean® során a készülék a mosogatótér hátsó része felől érkező vízsugarak segítségével intenzívebben mossa el az erősen szennyezett edényeket. Az alsó kosárban található egy ún nagyterületű zóna. Ez a speciális, kihúzható tartóelem a kosár hátsó részén található, és lehetővé teszi a serpenyők és tepsik függőleges helyzetben történő elhelyezését, amivel hely takarítható meg.

Helyezze be a gépbe a fazekakat/tálakat úgy, hogy a Power Clean® berendezés felé nézzenek, majd kapcsolja be a kezelőpanelen a **POWER CLEAN** opciót.

A Power Clean® funkció használata:

1. Készítse elő a Power Clean® területet (G): hajtsa le a hátsó tányértartókat, hogy beférjenek az edények.
2. Tegye be a fazekakat és a tálakat úgy, hogy a Power Clean® terület felé dőljenek. A fazekakat a nagynyomású vízsugarak felé kell megdönteni.



MINDENNAPI HASZNÁLAT

1. ELLENŐRIZZE A VÍZBEKÖTÉST

Ellenőrizze, hogy a mosogatógép rá van-e kötve a vízhálózatra, és hogy a csap nyitva van-e.

2. KAPCSOLJA BE A MOSOGATÓGÉPET

Nyissa ki a készülék ajtaját, és nyomja meg a **BE/KI** gombot.

3. A KOSARAK MEGTÖLTÉSE (lásd: A KOSARAK MEGTÖLTÉSE)

4. A MOSOGATÓSZER-ADAGOLÓ FELTÖLTÉSE

5. A PROGRAM KIVÁLASZTÁSA ÉS A CIKLUS BEÁLLÍTÁSA

Az edények típusa és szennyezettségi szintje alapján válassza ki a leginkább megfelelő programot (lásd: PROGRAMOK ISMERTETÉSE) a **P** gombbal.

Állítsa be a kívánt opciókat (lásd: OPCÍÓK ÉS FUNKCIÓK).

6. INDÍTÁS

Indítsa el a programot úgy, hogy megnyomja az **INDÍTÁS/Szünet** gombot (a LED kigyullad), majd 4 másodpercen belül becsukja a készülék ajtaját. A program indítását egy hangjelzés jelzi. Ha az ajtót nem csukja be 4 másodpercen belül, riasztás hallható. Ilyenkor nyissa ki az ajtót, nyomja meg ismét az **INDÍTÁS/Szünet** gombot, majd 4 másodpercen belül csukja be az ajtót.

7. A MOSOGATÁSI CIKLUS VÉGE

A mosogatósi ciklus végén sípoló hangjelzések hallhatók, és a kijelzőn villogni kezd a mosogatósi ciklus száma.

Nyissa ki az ajtót, és kapcsolja ki a készüléket a **BE/KI** gombbal. Az égési sérülések elkerülése érdekében az edények kipakolása előtt várjon néhány percet. Vegye ki az edényeket. Először az alsó kosarat ürítse ki.

Az energiafogyasztás csökkentése érdekében a készülék automatikusan kikapcsol, ha bizonyos ideig nem használják. Ha az edények enyhén szennyezettek, vagy a mosogatógépbe helyezes előtt vízzel leöblítették azokat, használjon kevesebb mosogatószert.

FUTÓ PROGRAM MÓDOSÍTÁSA

Ha nem megfelelő programot választott, az közvetlenül az indulás után még módosítható: nyissa ki az ajtót, és tartsa nyomva a **BE/KI** gombot, amíg a készülék kikapcsol.

Kapcsolja vissza a mosogatógépet a **BE/KI** gombbal, majd válassza ki az új mosogatósi ciklust és az esetleges opciókat. Indítsa el a programot úgy, hogy megnyomja az **INDÍTÁS/Szünet** gombot, majd 4 másodpercen belül becsukja a készülék ajtaját.

TOVÁBBI EDÉNYEK HOZZÁADÁSA

A készülék kikapcsolása nélkül nyissa ki az ajtót. Ekkor az **INDÍTÁS/Szünet** LED villogni kezd (**vigyázzon a kicsapó FORRÓ gőzre!**), majd tegyen be további edényeket a mosogatógépbe. Nyomja meg az **INDÍTÁS/Szünet** gombot, majd 4 másodpercen belül csukja be az ajtót. A készülék onnan folytatja a mosogatósi ciklust, ahol az félbeszakadt.

VÉLETLEN MEGSZAKÍTÁS

Ha a mosogatósi ciklus közben kinyitják az ajtót, vagy elmegy az áram, a ciklus leáll. Nyomja meg az **INDÍTÁS/Szünet** gombot, majd 4 másodpercen belül csukja be az ajtót. A készülék onnan folytatja a mosogatósi ciklust, ahol az félbeszakadt.

TANÁCSOK ÉS TIPPEK

TANÁCSOK

A kosarak megtöltése előtt távolítsa el az ételmaradékokat az edényekről, és ürítse ki a poharakat. **Mosogatósi előtt nem szükséges folyó vízzel leöblíteni az edényeket.**

Az edényeket úgy rendezze el, hogy biztosan álljanak, ne dőljenek el könnyen. Az edények nyílása lefelé nézzen, és a homorú/domború részek ferdén álljanak, hogy a víz mindenhova elérjen, és akadálytalanul folyhasson.

Vigyázat! A fedők, fogantyúk, tálak és serpenyők nem állítják meg a forgó szórókarokat.

A kisebb tárgyakat az evőeszközkosárba helyezze. Az erősen szennyezett edényeket az alsó kosárba kell helyezni, mivel ott erősebb a vízpermet, azaz jobb a mosogatósi eredmény. A készülék megtöltése után ellenőrizze, hogy a szórókarok forgását nem akadályozza-e valami.

GÉPBE NEM MOSOGATHATÓ EDÉNYEK

- Fából készült edények és evőeszközök.
- Kényes, díszes poharak, kézműves és antik edények. Ezek a díszítések nem bírják a gépi mosogatóst.
- Szintetikus anyagból készült részek, amelyek nem bírják a magas hőmérsékletet.
- Réz- és bádagedények.
- Hamuval, viasszal, kenőzsírral vagy tintával szennyezett edények.

A poharakon lévő díszítés és az alumínium- vagy ezüstedények színe megváltozhat, kifakulhat a mosogatósi során. Egyes üvegtípusok (pl. kristályüveg) néhány mosogatósi ciklus után homályossá válhatnak.

A POHARAK ÉS AZ EDÉNYEK KÁROSODÁSA

- A készülékbe kizárólag olyan üveg- és porcelánedények helyezhetők, amelyek a gyártó állítása szerint mosogatógépben mosogathatók.
- Az edényekhez megfelelő, kémálló mosogatószert használjon.
- Az edényeket és az evőeszközöket a mosogatósi ciklus végeztével azonnal vegye ki a mosogatógépéből.

A POHARAK ÉS AZ EDÉNYEK KÁROSODÁSA

- Ha a háztartási mosogatógépet a gyártó utasításainak megfelelően használják, **az edények mosogatógépben történő mosogatása általában KEVESEBB ENERGIÁT és vizet igényel, mint a kézi mosogatósi.**
- A mosogatógép hatékonyságának maximalizálásához javasolt **a mosogatósi programot a mosogatógép teljes betöltése után indítani.** Ha a háztartási mosogatógépet a gyártó által jelzett kapacitásig tölti fel, azzal energiát és vizet takaríthat meg. Az edények helyes betöltésével kapcsolatos információt a **KOSARAK MEGRAKODÁSA** című fejezetben talál. Részleges betöltés esetén javasolt a megfelelő mosogatósi beállítást (Fél töltet / Zónamosogatósi / Multizone) használni, ha lehetséges, csak a kijelölt kosarakat használva. A mosogatógép helytelen betöltése vagy túltöltése fokozhatja az erőforrások (például víz, energia és idő) felhasználását, megnövelheti a zajszintet, és csökkentheti a mosogatósi és szárítási teljesítményt.
- Az edények manuális előöblítése megnövekedett víz- és energiafogyasztást eredményezhet, és nem javasolt.

HIGIÉNYIA

A mosogatógépben keletkező kellemetlen szag és lerakódások elkerülése érdekében legalább havonta egyszer futtasson le egy magas hőmérsékletű programot. Használjon egy teáskanál mosogatószert, és a készülék tisztításához futtassa le a programot edények nélkül.

ÁPOLÁS ÉS KARBANTARTÁS

A SZŰRŐEGYSÉG TISZTÍTÁSA

Rendszeresen tisztítsa ki a szűrőegységet, így megelőzhető a szűrők eltömődése, és a víz szabadon tud távozni.

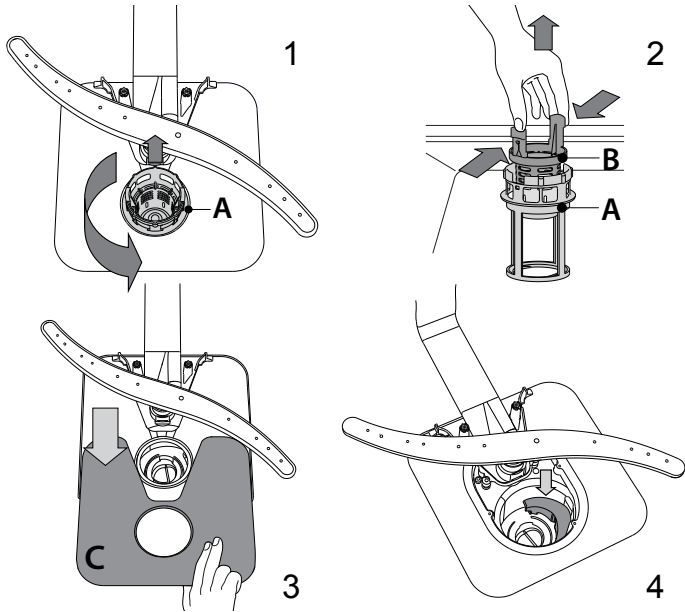
Ha a mosogatógép használata során a szűrők el vannak tömődve, illetve ha a szűrőrendszerben vagy a szórókarokban tárgyak vannak, az a berendezés nem megfelelő működését okozhatja, ami a teljesítmény csökkenését, zajos működést vagy nagyobb erőforrás-felhasználást eredményezhet.

A szűrőegység három szűrőből áll, amelyek eltávolítják az ételmaradékokat a mosogatóvízből, majd visszaforgatják a vizet.

A mosogatógép nem használható szűrők nélkül vagy meglazult szűrővel.

Havonta legalább egyszer vagy 30 programonként ellenőrizze a szűrőegységet, és szükség esetén tisztítsa meg alaposan folyó víz alatt, nemfémes kefével, az alábbi utasításoknak megfelelően:

1. Forgassa a henger alakú szűrőt **A** az óramutató járásával ellentétes irányba, majd húzza ki (1. ábra).
2. Vegye ki a kehely alakú szűrőt **B** úgy, hogy enyhén megnyomja az oldalsó füleket (2. ábra).
3. Csúsztassa ki a rozsdamentes acélból készült szűrőlemezt **C** (3. ábra).
4. Ha idegen tárgyat (például törött üveget, porcelánt, csontot, gyümölcsmagot stb.) talál, **óvatosan távolítsa el azt**.
5. Ellenőrizze a szűrőrészt, és távolítsa el az ételmaradékokat. **SOHA NE TÁVOLÍTSA EL** a mosogatóciklust végző pumpa védőfedelét (feketével jelölve) (4. ábra)!



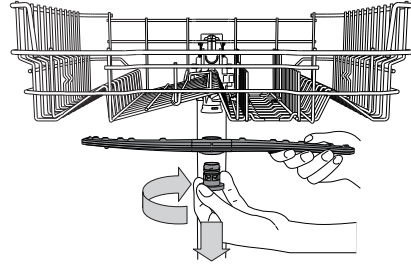
A szűrők tisztítása után helyezze vissza a szűrőegységet, és rögzítse megfelelően a helyére. Ez elengedhetetlen a mosogatógép hatékony működéséhez.

A VÍZBEVEZETŐ TÖMLŐ TISZTÍTÁSA

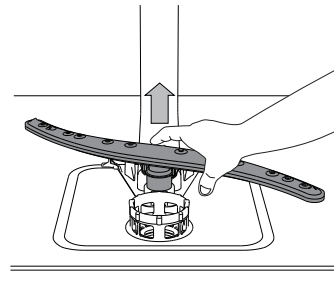
Ha a víztömlők újak, vagy azokat hosszabb ideig nem használták, a csatlakoztatás előtt folyasson át rajtuk vizet, hogy biztosan tiszták és szennyezédtől mentesek legyenek. Ha nem végzi el ezt az óvintézkedést, a vízbevezető tömlő eltömődhet, és károsíthatja a mosogatógépet.

A SZÓRÓKAROK TISZTÍTÁSA

Időnként ételmaradék száradhat a szórókarokra, és eltömítheti a víz permetezésére szolgáló nyílásokat. Ezért javasoljuk, hogy rendszeresen ellenőrizze a szórókarokat, és tisztítsa meg azokat egy kisméretű, nemfémes kefével.



A felső szórókar leszereléséhez forgassa el a műanyag rögzítőgyűrűt az óramutató járásával ellentétes irányba. A felső szórókar visszahelyezésekor ügyeljen arra, hogy a több nyílást tartalmazó oldala nézzen felfelé.



Az alsó szórókart felfelé húzva lehet kivenni a helyéről.

VÍZLÁGYÍTÓ RENDSZER

A vízlágyító rendszer automatikusan csökkenti a víz keménységét, így megelőzve a vízkő felhalmozódását a fűtőszálon, így jobb mosogatási hatékonyságot biztosítva.

A rendszer sóval regenerálja magát, ezért a só tárolót kiürülés esetén fel kell tölteni.



A regenerálás gyakorisága a vízkeménység szintjének beállításától függ - a regenerálás **8** Eco ciklusként történik meg **3**-ra állított vízkeménység szinttel.

A regenerálás a végső öblítés közben kezdődik, és a szárítási fázisban, a program vége előtt fejeződik be.

- Egyetlen regenerálás során a készülék: ~3,5 l vizet használ fel;
- A program 5 perccel tovább tart;
- Kevesebb, mint 0,005 kWh energiát használ fel.

HIBAELEHÁRÍTÁS

Ha a mosogatógép nem megfelelően működik, ellenőrizze, hogy a probléma javítható-e az alábbi lista lépéseinek végrehajtásával. Más hibák vagy problémák esetében lépjen kapcsolatba a hivatalos vevőszolgálattal, amelynek kapcsolattartási adatai a garanciafüzetben találhatóak. A gyártó a készülék gyártási dátumától számított legalább 10 évig biztosít tartalékalkatrészeket.

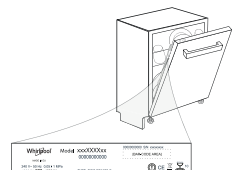
HIBA	LEHETSÉGES OK	MEGOLDÁS
 A só jelzőfényje ég	A sótartály üres. (A sótartály feltöltése után előfordulhat, hogy néhány mosogatási programon keresztül a sószint jelzőfényje tovább világít).	Tölts fel a tartályt sóval (további tudnivalók: 2. oldal). Állítsa be a vízkeménységet. Lásd a 2. oldalon található táblázatot.
 Az öblítőszer jelzőfényje ég	Az öblítőszer adagolója üres. (Az öblítőszer tartály feltöltése után előfordulhat, hogy néhány mosogatási programon keresztül az öblítőszer szintjének jelzőfényje tovább világít).	Tölts fel az adagolót öblítőszerrel (további tudnivalók: 2. oldal).
A mosogatógép nem indul vagy nem reagál a parancsokra.	Nem megfelelően csatlakoztatta a készüléket. Áramkimaradás. Nincs bezárva a mosogatógép ajtaja. A NaturalDry-fül nincs bepattintva. Az ajtó nyitása miatt a program félbeszakad > 4 másodpercre. A készülék nem reagál a parancsokra. A kijelzőn olvasható felirat: Az 9 vagy 12 és a BE/KI LED gyorsan villog.	Csatlakoztassa a dugót a hálózati aljzatba. A mosogatógép biztonsági okokból nem indul újra automatikusan az áramszolgáltatás visszatértekor. Nyissa ki a mosogatógép ajtaját, nyomja meg az INDÍTÁS/Szünet gombot, majd 4 másodpercen belül csukja be az ajtót. Erőteljesen nyomja be az ajtót, amíg kattantást nem hall. Nyomja meg az INDÍTÁS/Szünet gombot, és csukja be az ajtót 4 másodpercen belül. Kapcsolja ki a készüléket a BE/KI gombbal, majd kb. 1 perc elteltével kapcsolja vissza, és indítsa újra a programot. Ha a probléma továbbra is fennáll, húzza ki a készüléket a hálózathoz 1 percre, majd csatlakoztassa ismét.
A mosogatógép túl hangosan működik. A kijelzőn olvasható felirat: Az 3 és a BE/KI LED gyorsan villog.	Még tart a mosogatási ciklus. Mehajlott a leeresztőtömlő. Eltömődött a mosogató lefolyócsöve. Az ételmaradékok eltömítették a szűrőt.	Várja meg, amíg a mosogatási ciklus véget ér. Ellenőrizze, hogy nem hajlott-e meg a leeresztőtömlő (lásd BESZERELÉSI ÚTMUTATÓ). Tisztítsa meg a mosogató lefolyócsövét. Tisztítsa ki a szűrőt (lásd A SZŰRŐEGYSÉG TISZTÍTÁSA).
A mosogatógép túl hangosan működik.	Az edények egymáshoz ütődnek. Túl sok hab képződött.	Az edényeket megfelelően rendezze el (lásd A KOSARAK MEGTÖLTÉSE). Nem megfelelően mérte ki a mosogatószert, vagy az nem használható mosogatógépben (lásd A MOSOGATÓSZER-ADAGOLÓ FELTÖLTÉSE). Indítsa el újra az aktuális programot a BE/KI gombbal, majd kapcsolja be ismét a készüléket, válasszon egy új programot, nyomja meg az INDÍTÁS/Szünet gombot, és csukja be az ajtót 4 másodpercen belül. Ne töltsön bele mosogatószert.
Az edények nem tiszták.	Nem megfelelően rendezte el az edényeket. A szűrőkarok nem forognak szabadon, mivel az edények útban vannak. A mosogatási ciklus túlzottan kímélő. Túl sok hab képződött. Nem megfelelően zárta vissza az öblítőszer rekeszének kupakját. A szűrő szennyezett vagy eltömődött. Kifogyott a só.	Az edényeket megfelelően rendezze el (lásd A KOSARAK MEGTÖLTÉSE). Az edényeket megfelelően rendezze el (lásd A KOSARAK MEGTÖLTÉSE). Válasszon megfelelő mosogatási ciklust (lásd: PROGRAMOK TÁBLÁZATA). Nem megfelelően mérte ki a mosogatószert, vagy az nem használható mosogatógépben (lásd A MOSOGATÓSZER-ADAGOLÓ FELTÖLTÉSE). Zárja vissza az öblítőszer-adagoló kupakját. Tisztítsa ki a szűrőegységet (lásd ÁPOLÁS ÉS KARBANTARTÁS). Tölts fel a tartályt (lásd A SÓTARTÁLY FELTÖLTÉSE).
A készülék nem vesz fel vizet. A kijelzőn olvasható felirat: Az H , 6 és a BE/KI LED gyorsan villog.	Nem jön víz a vízvezetékbe, vagy el van zárva a vízcsap. Mehajlott a vízbevezető tömlő. Eltömődött a vízbevezető tömlőben lévő szűrő; ki kell tisztítani.	Ellenőrizze, hogy jön-e víz a vízvezetékbe, és a vízcsap nyitva van-e. Ellenőrizze, hogy nincs-e megtörve a vízvezető tömlő (lásd: ÜZEMBE HELYEZÉS), állítsa be újra a mosogatógépet, majd indítsa újra. Az ellenőrzés és a tisztítás után kapcsolja ki, majd be a mosogatógépet, és indítson el egy új programot.
A mosogatógép idő előtt befejezi a programot. A kijelzőn olvasható felirat: Az 15 és a BE/KI LED gyorsan villog.	A leeresztőtömlő túl alacsonyra van pozicionálva, vagy háztartási szennyvízelvezető rendszerbe vezet le. Levegő van a vízrendszerben.	Ellenőrizze, hogy a leeresztőtömlő vége megfelelő magasságban van-e (lásd: ÜZEMBE HELYEZÉS). Ellenőrizze a levezetést a háztartási szennyvízelvezető rendszerbe, és ha szükséges, szereljen be légbevezető szelepet. Ellenőrizze, hogy a vízrendszer nem szivárog-e, illetve más probléma miatt nem jut-e be levegő.

A szabályzatok, a szabványos dokumentáció, a tartalékalkatrészek rendelése és a termékkel kapcsolatos

további információk az alábbi elérhetőségeken találhatóak:

- A terméken lévő QR kód használata.
- Látogasson el a docs.whirlpool.eu/docs and parts-selfservice.europeanappliances.com weboldalra
- Vagy vegye fel a kapcsolatot a vevőszolgálattal (a telefonszámot lásd a garanciafüzetben). Amennyiben a vevőszolgálathoz fordul, kérjük, adja meg a termék adattábláján feltüntetett kódokat.

A modell adataihoz olvassa be az energiafogyasztást jelölő címkén található QR-kódot. A címkén található modellazonosító segítségével használható a regisztrációs portál <https://eprel.ec.europa.eu>.



400020009316

07/2024 jk - Xerox Fabriano



INSTRUKCJA CODZIENNEJ EKSPLOATACJI



DZIĘKUJEMY ZA ZAKUP PRODUKTU WHIRLPOOL.
Aby uzyskać kompleksową pomoc, prosimy zarejestrować urządzenie na stronie: www.whirlpool.eu/register.

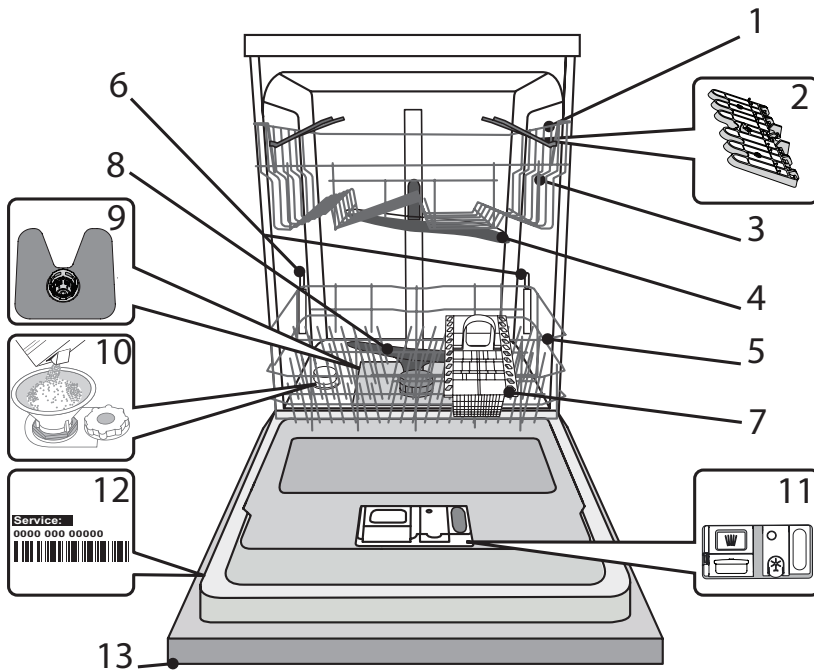
ZESKANUJ KOD QR NA SWOIM URZĄDZENIU, ABY UZYSKAĆ BARDZIEJ SZCZEGÓŁOWE INFORMACJE.



Przez użyciem urządzenia przeczytać uważnie Instrukcję bezpieczeństwa.

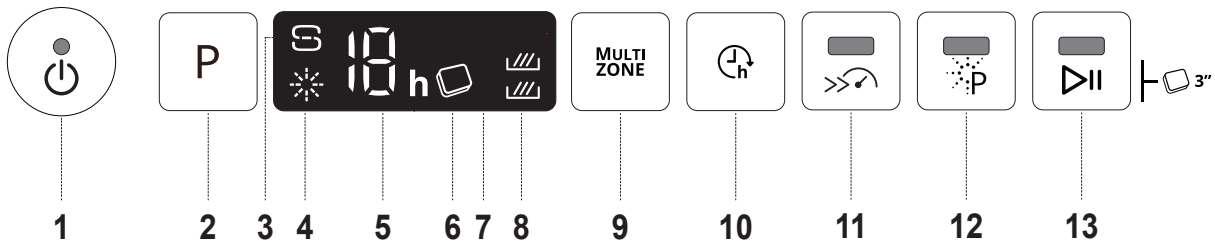
OPIS PRODUKTU

URZĄDZENIE



1. Górny kosz
2. Składane półeczki
3. Regulator wysokości górnego kosza
4. Górne ramię natryskowe
5. Dolny kosz
6. Wsporniki PowerClean®
7. Koszyk na sztućce
8. Dolne ramię natryskowe
9. Zespół filtra
10. Zbiornik soli
11. Dozowniki detergentu i płynu nabyliczającego
12. Tabliczka znamionowa
13. Panel sterowania

PANEL STEROWANIA



1. Przycisk i kontrolka Wł.-Wył./Reset
2. Przycisk wyboru programu
3. Kontrolka „Brak soli”
4. Kontrolka „Brak płynu nabyliczającego”
5. Numer programu i wskaźnik „Opóźnienia”
6. Kontrolka „Tabletki”
7. Wyświetlacz
8. Kontrolka „Multizone”
9. Przycisk „Multizone”
10. Przycisk „Opóźnienie”
11. Przycisk i kontrolka „Turbo”
12. Przycisk i kontrolka „Power Clean®”
13. Przycisk i kontrolka „START/Pauza” / „Tabletka (Tab)”

PIERWSZE UŻYCIE

SÓL DO ZMYWAREK, DODATKI DO PŁUKANIA I DETERGENT

WSKAZÓWKI DOTYCZĄCE PIERWSZEGO UŻYCIA URZĄDZENIA

Po zainstalowaniu urządzenia należy wyjąć ograniczniki z koszy oraz elastyczne elementy mocujące z górnego kosza.

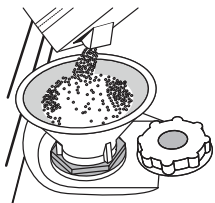
NAPEŁNIANIE ZBIORNIKA SOLI

Zastosowanie soli zapobiega tworzeniu się KAMIENIA na naczyniach i funkcjonalnych podzespołach zmywarki.

• Konieczne jest, aby **ZBIORNIK SOLI NIGDY NIE BYŁ PUSTY**.

• Ważne też jest odpowiednie ustawienie twardości wody.

Zbiornik soli znajduje się w dolnej części zmywarki (patrz *OPIS PRODUKTU*), i musi zostać napełniony, gdy na panelu sterowania świeci się kontrolka **BRAK SOLI**.



- Wyjąć dolny kosz i odkręcić korek zbiornika (w kierunku przeciwnym do ruchu wskazówek zegara).
- Tylko podczas wykonywania czynności po raz pierwszy: Napełnić zbiornik soli wodą.
- Umieścić lejek (patrz rys.) i wsypać sól aż do krawędzi zbiornika (około 1 kg); niewielki wyciek wody jest tu normalny.
- Wyjąć lejek i wytrzeć resztki soli wokół otworu.

Upewnić się, czy korek jest mocno dokręcony, aby detergent nie mógł przedostać się do zbiornika podczas programu zmywania (mogłoby to spowodować nienaprawialne uszkodzenie zmiękczacza wody).

Jeśli trzeba uzupełnić ilość soli w urządzeniu, należy wykonać tę czynność przed rozpoczęciem cyklu zmywania aby uniknąć korozji.

USTAWIENIE TWARDOŚCI WODY

Aby zmiękczacze wody działał idealnie, istotne jest ustawienie twardości wody na podstawie rzeczywistej twardości doprowadzanej wody. Tę informację można uzyskać od lokalnego dostawcy wody.

Ustawienie fabryczne to domyślna wartość dla twardości wody.

- Włączyć urządzenie, naciskając przycisk **WŁ./WYŁ.**
- Wyłączyć urządzenie, naciskając przycisk **WŁ./WYŁ.**
- Przytrzymać przycisk **P** przez 5 sekund, aż będzie słychać sygnał dźwiękowy.
- Włączyć urządzenie, naciskając przycisk **WŁ./WYŁ.**
- Wybrany aktualnie numer poziomu twardości oraz kontrolka **BRAK SOLI** migają jednocześnie.
- Wcisnąć przycisk **P**, by wybrać żądany poziom twardości (patrz *TABELA TWARDOŚCI WODY*).

Tabela twardości wody				
Poziom	°dH St. niemieckie	°fH St. francuskie	°Clark St. brytyjskie	
				1
2	Średnia	7 - 11	11 - 20	8 - 14
3	Przeciętna	12 - 16	21 - 29	15 - 20
4	Twarda	17 - 34	30 - 60	21 - 42
5	Bardzo twarda	35 - 50	61 - 90	43 - 62

- Wyłączyć urządzenie, naciskając przycisk **WŁ./WYŁ.**

Ustawienie zostało wykonane!

Po zakończeniu tych czynności włączyć program bez wkładania naczyń.

Należy stosować wyłącznie taką sól, która jest specjalnie przeznaczona do zmywarek.

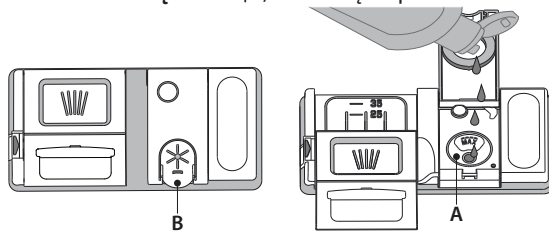
Po wsypaniu soli do zmywarki kontrolka **BRAK SOLI** gaśnie.

Jeśli pojemnik z solą jest pusty, istnieje ryzyko uszkodzenia zmiękczacza wody oraz grzałki z powodu nagromadzenia osadu.

Stosowanie soli jest zalecane z każdym rodzajem detergentu do zmywarek.

NAPEŁNIANIE DOZOWNIKA PŁYNU NABŁYSZCZAJĄCEGO

Płyn nabłyszczający ułatwia **SUSZENIE** naczyń. Dozownik płynu nabłyszczającego **A** powinien zostać napełniony, gdy kontrolka **BRAK PŁYNU NABŁYSZCZAJĄCEGO** ✨, świeci się na panelu sterowania.



- Otworzyć dozownik **B**, naciskając i podnosząc klapkę na pokrywie.
- Ostrożnie wlewać płyn nabłyszczający, aż do kreski oznaczającej maksymalny poziom napełnienia (110 ml) - unikać rozlania płynu. Jeśli tak się stanie, należy natychmiast wytrzeć rozlany płyn suchą szmatką.
- Zatrzasnąć pokrywę.

NIGDY nie wlewać płynu nabłyszczającego bezpośrednio do komory zmywarki.

REGULACJA DOZOWANIA PŁYNU NABŁYSZCZAJĄCEGO

Jeśli rezultaty suszenia nie są w pełni zadowalające, można wyregulować dozowanie używanego płynu nabłyszczającego.

- Włączyć zmywarkę za pomocą przycisku **WŁ./WYŁ.**
- Wyłączyć urządzenie za pomocą przycisku **WŁ./WYŁ.**
- Nacisnąć trzykrotnie przycisk **P** - będzie słychać sygnał dźwiękowy.
- Włączyć ją za pomocą przycisku **WŁ./WYŁ.**
- Miga wybrany aktualnie numer poziomu nabłyszczacza oraz kontrolka **BRAK PŁYNU NABŁYSZCZAJĄCEGO**.
- Nacisnąć przycisk **P**, aby wybrać poziom dozowania płynu nabłyszczającego.
- Wyłączyć urządzenie za pomocą przycisku **WŁ./WYŁ.**

Ustawienie zostało wykonane!

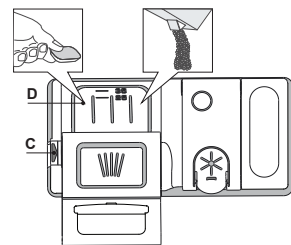
Jeśli poziom dozowania płynu nabłyszczającego został ustawiony na **ZERO (ECO)**, płyn nabłyszczający nie będzie dozowany. Kontrolka **BRAK PŁYNU NABŁYSZCZAJĄCEGO** nie będzie świecić, jeśli zabraknie płynu nabłyszczającego.

Można ustawić maksymalnie 5 poziomy, zależnie od modelu zmywarki. Ustawienia fabryczne zależą od modelu urządzenia. Aby sprawdzić ustawienia posiadanej zmywarki, należy postąpić według instrukcji powyżej.

- Jeśli na naczyniach są widoczne niebieskawe smugi, należy ustawić niski poziom (1-2).
- Jeśli na naczyniach pozostają krople wody lub oznaki kamienia, należy ustawić wysoki poziom (3-4).

NAPEŁNIANIE DOZOWNIKA DETERGENTU

Aby otworzyć dozownik detergentu, użyć urządzenia do otwierania C. Detergent wsypywać/wlewać tylko do suchego zasobnika D. Detergent przeznaczony do mycia wstępnego wsypywać/wlewać bezpośrednio do komory zmywarki.



- Odmierzając dawkę detergentu, należy uwzględnić informacje podane powyżej, aby dodana ilość detergentu była prawidłowa. Wewnątrz dozownika **D** znajdują się oznaczenia ułatwiające dozowanie detergentu.
- Przed zatrzaśnięciem pokrywy usunąć pozostałości detergentu z krawędzi dozownika.
- Zamknąć pokrywę dozownika detergentu, pociągając ją w górę tak, aż urządzenie zamykające zostanie zablokowane na swoim miejscu.

Dozownik detergentu otwiera się automatycznie w odpowiednim czasie, zgodnie z danym programem.

Jeśli używany jest detergent typu „all-in-one” zalecamy używanie przycisku **TABLETKI**, ponieważ wtedy zostanie wybrany program pozwalający na osiągnięcie najlepszych rezultatów mycia i suszenia za każdym razem.

Zastosowanie detergentów nieprzeznaczonych do użytku w zmywarkach może spowodować nieprawidłowe działanie lub uszkodzenie urządzenia.

TABELA PROGRAMÓW

Program	Faza suszenia	NaturalDry	Dostępne opcje *)	Czas trwania programu zmywania (godz.:min) **)	Zużycie wody (litry/cykl)	Zużycie energii (kWh/cykl)
1. Eko ECO 50°	✓	✓		3:10	6,5	0,85
2. 6 th Sense® 50-60°	✓	✓		1:25 - 3:00	7,0 - 14,0	0,90 - 1,40
3. Intensywny 65°	✓	✓		2:50	14,0	1,50
4. Szybkie mycie i suszenie 50°	✓	✓		1:25	11,5	1,10
5. Kryształ 45°	✓	✓		1:40	11,5	1,20
6. Szybki 30' 50°	-	-		0:30	9,0	0,50
7. Cichy 50°	✓	✓		3:30	15,0	1,15
8. Dezynfekujący 65°	✓	-		1:40	10,0	1,30
9. Mycie wstępne -	-	-		0:12	4,5	0,01
10. Samoczyszczenie 65°	-	-		1:35	14,0	1,15

Dane Programu Eko uzyskano na podstawie pomiarów wykonanych w warunkach laboratoryjnych zgodnie z normą europejską EN 60436:2020. Uwaga dla laboratoriów testowych: szczegółowe informacje dotyczące warunków testów porównawczych EN można uzyskać pod adresem: dw_test_support@europeanappliances.com.

Przed żadnym z tych programów nie ma potrzeby wstępnego przygotowania naczyń.

*) Nie wszystkie opcje mogą być używane jednocześnie.

***) Wartości podane dla innych programów niż program Eko mają charakter referencyjny. Rzeczywisty czas może się zmieniać w zależności od wielu czynników, takich jak temperatura i ciśnienie dopływającej wody, temperatura otoczenia, ilość detergentu, wielkość i typ ładunku oraz jego wyważenie, a także od dodatkowo wybranych opcji i kalibracji czujnika. Kalibracja czujnika może wydłużyć czas trwania programu aż o 20 min.

OPIS PROGRAMÓW

Instrukcje wyboru cyklu zmywania.

1 EKO

Program Eko jest przeznaczony do mycia naczyń o zwykłym stopniu zabrudzenia; dla tego zastosowania jest to najbardziej wydajny program pod względem zużycia energii elektrycznej i wody oraz w takim zastosowaniu program ten uzyskał certyfikat zgodności z dyrektywą unijną Ecodesign.

2 6th SENSE®

Do mycia normalnie zabrudzonych naczyń z zaschniętymi resztkami potraw. Program jest automatycznie dostosowany w zależności od poziomu zabrudzenia. Gdy czujnik wykryje poziom zabrudzenia, na wyświetlaczu pojawi się animacja i czas trwania cyklu zostanie zaktualizowany.

3 INTENSYWNY

Program do zmywania bardzo zabrudzonych naczyń, szczególnie zalecany do patelni i garnków (nie powinien być używany do delikatnych naczyń).

4 SZYBKIE MYCIE I SUSZENIE

Normalnie zabrudzone naczynia. Cykl do codziennego stosowania, zapewniający optymalne rezultaty zmywania i suszenia w krótszym czasie.

5 KRYSTAŁY

Program do mycia delikatnych naczyń, które są bardziej wrażliwe na wysoką temperaturę, np. szklanki i kubeczki.

6 SZYBKI 30'

Program należy stosować przy połowie ładunku lub lekko zabrudzonych naczyniach, na których nie zalegają resztki jedzenia. Nie zawiera fazy suszenia.

7 CICHY

Odpowiedni do zmywania w nocy. Zapewnia optymalne rezultaty zmywania i suszenia przy najniższej emisji hałasu.

8 DEZYNFEKUJĄCY

Średnio lub bardzo zabrudzone naczynia, z dodatkowym działaniem antybakteryjnym. Można wykorzystywać do wykonania czynności związanych z konserwacją zmywarki.

9 MYCIE WSTĘPNE

Oplukiwanie naczyń przeznaczonych do późniejszego mycia. W tym programie nie używa się żadnego detergentu.

10 SAMOCZYSZCZENIE

Program przeznaczony do przeprowadzania konserwacji zmywarki, tylko w przypadku gdy zmywarka jest PUSTA, z zastosowaniem specjalnych detergentów służących do konserwacji zmywarki.

Uwagi:

Należy pamiętać, że cykl Szybki 30' służy do mycia lekko zabrudzonych naczyń.

OPCJE I FUNKCJE

OPCJE można wybierać bezpośrednio, naciskając odpowiedni przycisk (patrz PANEL STEROWANIA).

Jeśli dana opcja nie może być używana z wybranym programem patrz TABELA PROGRAMÓW, odpowiednia dioda LED mignie szybko 3 razy i będzie słycać sygnał dźwiękowy. Opcja nie zostanie włączona.

MULTI ZONE MULTIZONE

Jeśli nie ma wielu naczyń do zmywania, można wykorzystać program «Połowa załadunku», w celu oszczędzenia wody, energii elektrycznej i detergentu.

Wybrać program i nacisnąć przycisk MULTIZONE: symbol wybranego kosza pojawia się na wyświetlaczu. Domyślnie urządzenie myje naczynia we wszystkich koszach.

Aby umyć zawartość tylko wybranego kosza, należy nacisnąć kilkakrotnie przycisk:



pokazany na wyświetlaczu (tylko dolny kosz)



pokazany na wyświetlaczu (tylko górny kosz)



pokazany na wyświetlaczu (opcja jest WYŁĄCZONA, a urządzenie będzie zmywać naczynia we wszystkich koszach).

Trzeba pamiętać, aby załadować tylko górny lub dolny kosz i zmniejszyć odpowiednio ilość detergentu.

Jeśli wyjęto górny kosz, należy umieścić detergent bezpośrednio w zbiorniku zamiast w dozowniku detergentu.

OPÓŹNIENIE

Włączenie programu można opóźnić o pewien czas, od 1 do 12 godzin.

1. Nacisnąć przycisk OPÓŹNIENIE: na wyświetlaczu pojawi się odpowiedni symbol „h”; po każdym naciśnięciu przycisku, czas (1 godz., 2 godz., itd. do maks. 12 godz.) liczony od początku wybranego cyklu zmywania zostanie zwiększony.
2. Wybrać program zmywania, nacisnąć przycisk START/Pauza i w ciągu czterech sekund zamknąć drzwiczki: zegar zacznie odliczanie.
3. Po upływie ustawionego czasu kontrolka „h” zgaśnie i rozpocznie się cykl zmywania.

Aby ustawić czas opóźnienia i wybrać krótszy czas, należy nacisnąć przycisk OPÓŹNIENIE. Aby anulować wybór, nacisnąć i przytrzymać przycisk, aż kontrolka wybranego opóźnienia „h” zgaśnie.

Program zmywania rozpocznie się automatycznie, jak tylko zostaną zamknięte drzwiczki.

Funkcji „OPÓŹNIENIE” nie można ustawić po rozpoczęciu cyklu zmywania.

TURBO

Ta opcja może być stosowana w celu zmniejszenia czasu trwania programu głównego, przy jednoczesnym uzyskaniu takich samych rezultatów mycia i suszenia.

Po wybraniu programu, nacisnąć przycisk TURBO. Zaświeci się kontrolka. Aby wyłączyć opcję, jeszcze raz nacisnąć ten sam przycisk.

SYSTEM RECYKLINGU WODY

Korzystanie z programu Eko w tej zmywarce pozwala zaoszczędzić do 3 litrów wody. Zaoszczędzona woda jest filtrowana i przechowywana w przeznaczonym do tego zbiorniku i jest ponownie wykorzystywana w kolejnym programie Eko. Jeżeli cykl Eko nie jest używany przez 3 lub więcej dni, ze względów higienicznych zaleca się przeprowadzenie cyklu czyszczenia zmywarki. Czyszczenie zmywarki można wykonać przy użyciu Cyklu samoczyszczenia (patrz tabela programów).

POWER CLEAN®

Dzięki dodatkowym silnym dyszom ta opcja zapewnia bardziej intensywne i dokładne mycie w koszu dolnym, w określonym jego obszarze. Opcja ta jest polecana do mycia garnków i patelni. Naciśnięcie tego przycisku włącza opcję Power Clean® (zapala się wskaźnik).

TABLETKI (TAB)

Ustawienie to pozwala zoptymalizować wydajność programu zgodnie z typem zastosowanego detergentu.

Nacisnąć przycisk START/Pauza i przytrzymać przez 3 sekundy (zaświeci się odpowiedni symbol), jeśli używany jest wielofunkcyjny detergent w formie tabletki (płyn nablyszczający, sól i detergent w jednym).

W przypadku korzystania z detergentu w proszku lub w płynie, opcja ta powinna być wyłączona.

KONTROLKA DZIAŁANIA

Lampka LED świecąca na podłogę wskazuje, że zmywarka działa. Można wybrać jeden z następujących trybów pracy:

- a) Funkcja wyłączona.
- b) Gdy rozpoczyna się cykl, kontrolka włącza się na kilka sekund, pozostaje wyłączona podczas cyklu i miga na koniec cyklu.
- c) Kontrolka pozostaje włączona podczas cyklu i miga po jego zakończeniu (tryb domyślny).

Jeżeli zostało ustawione opóźnienie, kontrolka może być włączona w ciągu pierwszych kilku sekund, albo przez cały okres odliczania, zależnie od tego, czy ustawiono tryb b), czy c). Kontrolka gaśnie za każdym razem, gdy zostaną otwarte drzwiczki. Aby wybrać preferowany tryb, należy włączyć urządzenie, nacisnąć i przytrzymać przycisk **P**, aż na wyświetlaczu pojawi się jedna z trzech liter, nacisnąć przycisk **P**, aż do osiągnięcia żądanej litery (lub trybu), przytrzymać przycisk **P**, aby potwierdzić wybór.

Uwaga: Jeśli system NaturalDry jest aktywny i drzwiczki zostaną otwarte, wskaźnik pracy nie będzie migać na końcu cyklu.

NaturalDry

NaturalDry to konwekcyjny system suszenia, który automatycznie otwiera drzwiczki podczas/po fazie suszenia, aby zapewnić doskonałe rezultaty suszenia każdego dnia. Drzwiczki otwierają się w temperaturze, która jest bezpieczna dla mebli kuchennych, dlatego nie zostaną one otworzone, gdy włączona jest opcja TURBO.

Do zmywarki dołączono specjalnie zaprojektowaną folię ochronną, która pełni funkcję dodatkowej ochrony przed parą. Należy zapoznać się z PORADNIKIEM INSTALACJI, aby dowiedzieć się, jak zamontować folię ochronną.

Użytkownik może wyłączyć funkcję systemu NaturalDry w następujący sposób:

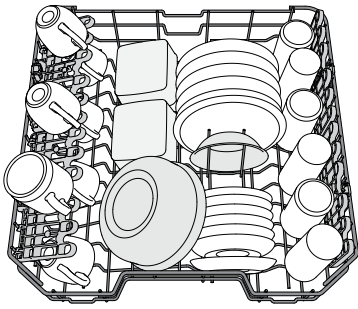
1. Przejść do menu oprogramowania zmywarki, naciskając i przytrzymując przycisk **P** (6 sek.).
2. Po wejściu do Light Control Menu (zapoznać się z rozdziałem KONTROLKA DZIAŁANIA), nacisnąć i przytrzymać przycisk **P** (dopóki na wyświetlaczu nie wyświetli się jedna z dwóch liter), o ile użytkownik nie chce niczego zmieniać.
3. Po przejściu do Menu Sterowania NaturalDry, można zmienić status tej funkcji, naciskając przycisk **P**:

E - włączone **d** - wyłączony

Należy nacisnąć i przytrzymać przycisk **P** (3 sek.), aby potwierdzić zmianę i wyjść z Menu Sterowania.

ŁADOWANIE KOSZY

GÓRNY KOSZ



(przykładowe załadowanie górnego kosza)

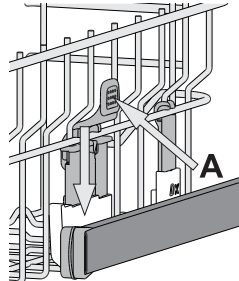
Tu należy wkładać delikatne i lekkie naczynia: szklanki, filiżanki, talerzyki, małe miseczki do sałatek.

REGULACJA WYSOKOŚCI GÓRNEGO KOSZA

Wysokość górnego kosza można wyregulować: wyższe położenie umożliwia umieszczenie dużych naczyń w dolnym koszu, a niższe pozwala na najwyższe ustawienie podnoszonych wsporników, co daje więcej miejsca u góry, a jednocześnie pozwala uniknąć stykania się z naczyniami umieszczonymi w dolnym koszu.

Górny kosz jest wyposażony w **regulator wysokości górnego kosza** (patrz ilustracja); bez naciskania dźwigni, można łatwo podnieść kosz trzymając go za boczne części i umieszczając stabilnie w górnym położeniu.

Aby przywrócić dolne położenie, nacisnąć dźwignię **A** po bokach kosza i przesunąć kosz w dół.



Zdecydowanie zalecamy, aby nie regulować wysokości kosza, gdy jest załadowany.

NIGDY nie podnosić lub opuszczać kosza tylko z jednej strony.

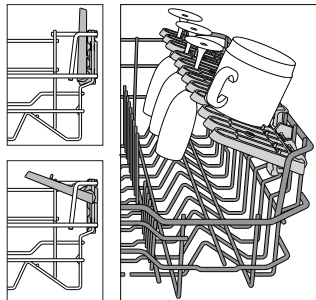
SKŁADANE PÓŁECZKI Z REGULOWANYM POŁOŻENIEM

Boczne składane klapy można złożyć lub rozłożyć, aby zoptymalizować ułożenie naczyń w koszyku.

Kieliszki do wina można bezpiecznie umieścić, wkładając nóżkę każdego kieliszka do odpowiedniego otworu.

W zależności od modelu:

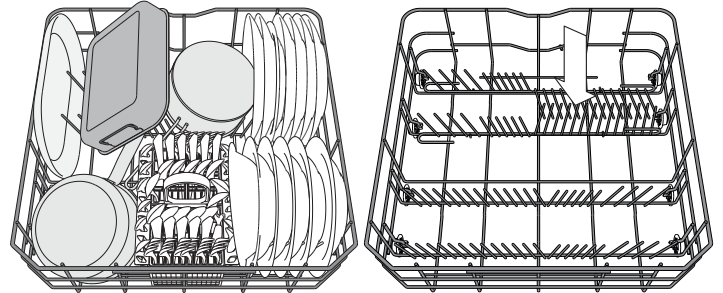
- aby rozłożyć klapy, należy wysunąć je do góry i obrócić lub zwolnić z zatrzasków i pociągnąć do dołu.
- aby złożyć klapy, należy obrócić je i wsunąć je do dołu lub wyciągnąć do góry i zamocować do zatrzasków.



DOLNY KOSZ

Do garnków, pokrywek, talerzy, misek do sałatek, sztućców itp. Duże talerze i pokrywy powinny być umieszczane z boku, aby uniknąć stykania się z ramieniem natryskowym.

Dolny kosz jest wyposażony w podnoszone wsporniki, które mogą być używane w położeniu pionowym przy wkładaniu talerzy lub w położeniu poziomym, aby ułatwić wkładanie patelni i misek.

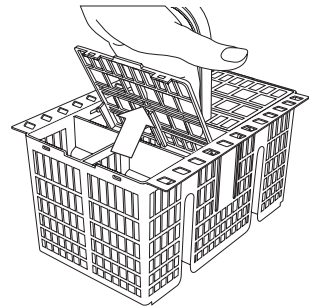


(przykład sposobu załadowania dolnego kosza)

KOSZYK NA SZTUĆCE

Koszyk jest wyposażony w górne kratki, które pozwalają na lepsze rozmieszczenie sztućców. Koszyk na sztućce powinien być umieszczany tylko w przedniej części dolnego kosza.

Noże i inne akcesoria o ostrych czubkach i krawędziach należy wkładać do koszyka na sztućce ostrzami skierowanymi w dół lub układać je poziomo na podnoszonych półeczkach, w górnym koszu.



SYSTEM POWER CLEAN W DOLNYM KOSZU

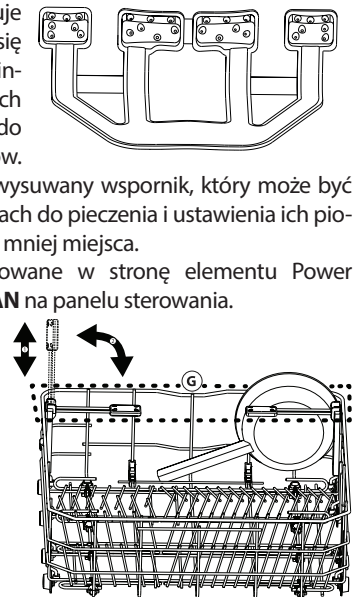
System Power Clean® wykorzystuje specjalne dysze wodne znajdujące się z tyłu komory, które pozwalają na intensywne mycie bardzo zabrudzonych naczyń. Dolny kosz posiada miejsce do umieszczania dużych przedmiotów.

Z tyłu kosza znajduje się specjalny wysuwany wspornik, który może być używany do podparcia patelni lub blach do pieczenia i ustawienia ich pionowo, dzięki czemu będą zajmowały mniej miejsca.

Umieszczając garnki/patelnie skierowane w stronę elementu Power Clean®, należy włączyć **POWER CLEAN** na panelu sterowania.

Stosowanie opcji Power Clean®:

1. Dostosować obszar Power Clean (G), składając tylne uchwyty w taki sposób, aby móc włożyć garnki.
2. Włożyć przechylone w pionie garnki i patelnie w obszar Power Clean®. Garnki muszą być zwrócone w kierunku silnych dysz wodnych.



CODZIENNA EKSPLOATACJA

1. SPRAWDZENIE PRZYŁĄCZA WODY

Sprawdzić, czy zmywarka jest podłączona do instalacji wodnej i czy zawór wody jest otwarty.

2. WŁĄCZANIE ZMYWARKI

Otworzyć drzwiczki i nacisnąć przycisk **WŁ./WYŁ.**

3. WKŁADANIE NACZYŃ DO KOSZA

(patrz ŁADOWANIE KOSZY)

4. NAPEŁNIANIE DOZOWNIKA DETERGENTU

5. WYBÓR PROGRAMU I DOSTOSOWANIE CYKLU

Wybrać najbardziej odpowiedni program, dostosowany do typu naczyń i stopnia ich zabrudzenia (patrz OPIS PROGRAMÓW), naciskając przycisk **P**.

Wybrać żądane opcje (patrz OPCJE I FUNKCJE).

6. START

Aby rozpocząć cykl zmywania, należy nacisnąć przycisk **START/Pauza** (zaświeci się dioda LED), a następnie w ciągu 4 sek. od tej czynności, zamknąć drzwiczki. Po uruchomieniu programu pojawi się pojedynczy sygnał dźwiękowy. Jeśli drzwiczki nie zostaną zamknięte w ciągu 4 sekund, rozlegnie się dźwięk alarmu. W takim przypadku otworzyć drzwiczki, nacisnąć przycisk **START/Pauza** i ponownie zamknąć drzwiczki w ciągu 4 sek.

7. KONIEC CYKLU ZMYWANIA

Zakończenie cyklu zmywania jest sygnalizowane przez sygnał dźwiękowy i migający komunikat numeru cyklu zmywania na wyświetlaczu.

Otworzyć drzwiczki i wyłączyć urządzenie, naciskając przycisk **WŁ./WYŁ.**

Przed wyjęciem naczyń odczekać kilka minut - aby uniknąć oparzenia. Wyjąć naczynia, zaczynając od dolnego kosza.

Po dłuższym czasie braku aktywności urządzenie wyłączy się automatycznie, w celu zminimalizowania zużycia energii elektrycznej. Gdy naczynia są tylko lekko zabrudzone lub przed umieszczeniem ich w zmywarce zostały spłukane wodą, można odpowiednio zmniejszyć ilość używanego detergentu.

MODYFIKOWANIE URUCHOMIONEGO PROGRAMU

Jeżeli wybrano niewłaściwy program, można go zmienić, pod warunkiem, że właśnie się on rozpoczął: otworzyć drzwiczki, nacisnąć i przytrzymać przycisk **WŁ./WYŁ.**; urządzenie wyłączy się.

Włączyć zmywarkę z powrotem, za pomocą przycisku **WŁ./WYŁ.** i wybrać nowy cykl zmywania oraz żądane opcje; uruchomić cykl, naciskając przycisk **START/Pauza** i zamykając drzwiczki w ciągu 4 sek.

UMIESZCZANIE DODATKOWYCH NACZYŃ

Otworzyć drzwiczki bez wyłączania urządzenia (**START/Pauza**, dioda ledowa zaczyna migać) (**uwaga na GORAĆĄ parę!**) i umieścić naczynia w zmywarce. Nacisnąć przycisk **START/Pauza** i zamknąć drzwiczki w ciągu 4 sek. Cykl zostanie wznowiony od momentu, w którym go przerwano.

PRZYPADKOWE PRZERWY

Jeśli drzwiczki zostaną otwarte podczas zmywania lub nastąpi przerwa w zasilaniu, cykl zatrzyma się. Aby wznowić cykl od momentu, w którym został przerwany, nacisnąć przycisk **START/Pauza** i zamknąć drzwiczki w ciągu 4 sek.

PORADY I WSKAZÓWKI

PORADY

Przed włożeniem naczyń do kosza, należy usunąć wszystkie resztki jedzenia i opróżnić szklanki. **Nie trzeba ich wcześniej płukać pod bieżącą wodą.** Rozmieścić naczynia tak, aby były mocno utrzymywane na miejscu i nie mogły się przewrócić; pojemniki ułożyć tak, aby ich otwory były skierowane w dół, a włókna/wypukłe elementy były ustawione ukośnie, dzięki czemu woda będzie mogła docierać do każdej powierzchni i swobodnie przepływać.

Ostrzeżenie: pokrywki, uchwyty, tace i patelnie nie mogą uniemożliwiać obracania się ramion natryskowych.

Wszystkie małe przedmioty należy umieszczać w koszyku na sztućce.

Bardzo zabrudzone naczynia i patelnie powinny być umieszczane w dolnym koszu, ponieważ w tej części komory zmywarki strumienie wody są silniejsze i zmywanie jest bardziej skuteczne.

Po włożeniu naczyń do zmywarki trzeba sprawdzić, czy ramiona natryskowe mogą obracać się swobodnie.

NACZYNIA NIE NADAJĄCE SIĘ DO ZMYWANIA W ZMYWARKACH

- Naczynia i sztućce drewniane.
- Szklanki z delikatnym zdobieniem, wyroby artystyczne lub naczynia zabytkowe. Ich zdobienia nie są odporne.
- Elementy z tworzywa sztucznego, które nie są odporne na wysokie temperatury.
- Naczynia miedziane i cynowe.
- Naczynia zabrudzone popiołem, woskiem, smarem lub tuszem. Kolory szklanych dekoracji oraz aluminiowe/srebrne części mogą zmienić się lub ściemnieć podczas zmywania. Niektóre rodzaje wyrobów szklanych (np. kryształ) mogą stracić przezroczystość po zbyt wielu cyklach zmywania.

USZKODZENIE NACZYŃ SZKLANYCH I PORCELANOWYCH

- W zmywarkach można myć tylko takie naczynia szklane i porcelanowe, których producent deklaruje, że są przeznaczone do zmywarek.
- Używać delikatnego detergentu, przeznaczonego do porcelany
- Naczynia szklane i porcelanowe należy wyjmować ze zmywarki, jak tylko zmywanie się skończy.

WSKAZÓWKI DOTYCZĄCE OSZCZĘDZANIA ENERGII

- Jeśli zmywarka domowa użytkowana jest zgodnie z zaleceniami producenta, **zmywanie naczyń w zmywarce zazwyczaj pochłania MNIEJ ENERGII ELEKTRYCZNEJ i mniej wody niż zmywanie ręczne.**
- Aby maksymalnie zwiększyć wydajność zmywarki, **należy uruchamiać cykl zmywania po pełnym załadunku urządzenia.** Ładowanie zmywarki domowej w stopniu zalecanym przez producenta przyczyni się do oszczędności energii elektrycznej i wody. Informacje na temat prawidłowego ładowania naczyń w zmywarce można odnaleźć w rozdziale ŁADOWANIE KOSZY. W przypadku częściowego załadunku, zaleca się skorzystanie ze specjalnych opcji, jeśli są one dostępne (Połowa załadunku/ Zone Wash/ Multizone), zapewniając jedynie wybrane kosze. Nieprawidłowe lub nadmierne ładowanie zmywarki może spowodować zwiększenie zużycia mediów (np. wody, energii, czasu lub zwiększenie poziomu hałasu), co wpływa negatywnie na wydajność suszenia.
- Ręczne spłukiwanie naczyń przyczynia się do większego zużycia wody i energii elektrycznej i nie jest zalecane.

DEZYNFEKCJA ZMYWARKI

Aby uniknąć powstawania nieprzyjemnych zapachów i tworzenia się osadów, które mogą pojawić się w zmywarce, **należy co najmniej raz w miesiącu włączyć program z wysoką temperaturą.** Aby wyczyścić zmywarkę, należy wysypać/wlać jedną łyżeczkę detergentu i włączyć program bez wkładania naczyń.

UTRZYMANIE I KONSERWACJA

CZYSZCZENIE ZESPOŁU FILTRA

Zespół filtra należy regularnie czyścić, zapobiegając jego zapychaniu i zapewniając prawidłowy odpływ ścieków.

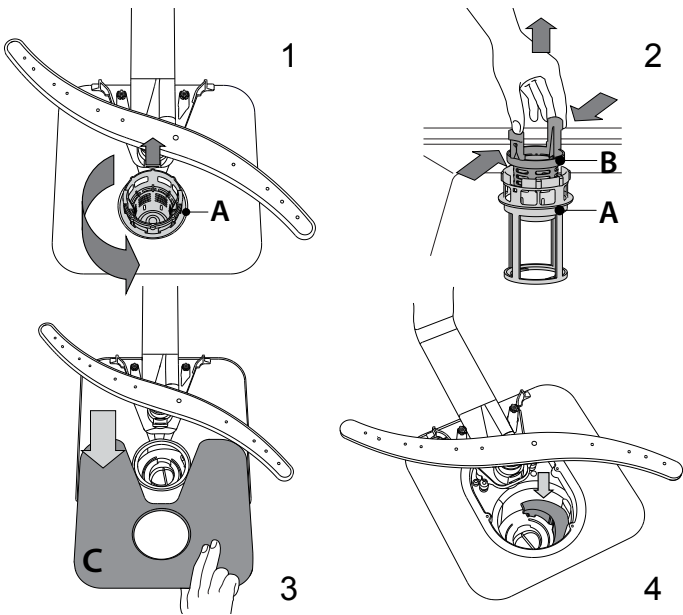
Używanie zmywarki, w której zablokowane są filtry lub zawierającej ciała obce w układzie filtrowania może spowodować nieprawidłowe działanie urządzenia, co prowadzi do obniżenia wydajności, głośnej pracy lub większego wykorzystania mediów.

Zespół filtra składa się z trzech filtrów, które usuwają resztki jedzenia z myjącej wody, a następnie umożliwiają jej obieg.

Nie wolno używać zmywarki bez filtrów lub jeśli filtry są źle zamocowane.

Co najmniej raz na miesiąc lub po każdym 30 cyklach zmywania należy sprawdzić zespół filtra i w razie potrzeby oczyścić go dokładnie pod bieżącą wodą za pomocą szczoteczki z niemetalem włosiem i postępując zgodnie z poniższymi instrukcjami:

1. Odkręcić filtr cylindryczny **A** w kierunku ruchu wskazówek zegara i wyciągnąć go (Rys. 1).
2. Zdjąć korek filtra **B** lekko naciskając boczne klapki (Rys. 2).
3. Wysunąć filtr płytkowy ze stali nierdzewnej **C** (Rys. 3).
4. W przypadku odnalezienia ciał obcych (np. potłuczonego szkła, porcelany, kości, pestek owoców itp.), **należy je ostrożnie wyjąć**.
5. Sprawdzić syfon i usunąć wszelkie resztki potraw. **NIGDY NIE NALEŻY WYJMOWAĆ** osłony pompy cyklu myjącego (czarny element) (Rys. 4).



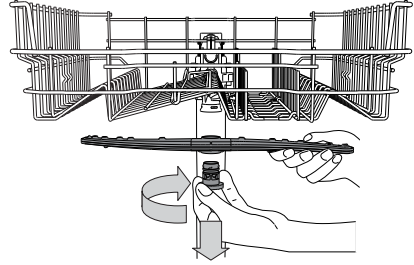
Po oczyszczeniu filtrów założyć z powrotem zespół filtra i zamocować go w prawidłowym położeniu; jest to niezbędne dla utrzymania sprawnego funkcjonowania zmywarki.

CZYSZCZENIE WĘŻA DOPŁYWOWEGO WODY

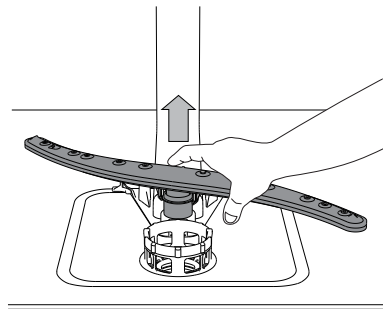
Jeśli węże wody są nowe lub nie były używane przez dłuższy czas, to przed wykonaniem niezbędnych połączeń należy przepuścić przez nie strumień wody, aby upewnić się, czy woda jest czysta i wolna od zanieczyszczeń. Jeśli takie środki ostrożności nie zostaną podjęte, wlot wody może zostać zablokowany, a zmywarka uszkodzona.

CZYSZCZENIE RAMION NATRYSKOWYCH

Może się zdarzyć, że resztki potraw pozostaną na ramionach natryskowych i będą zatykać otwory, przez które wytryskiwana jest woda. Dlatego też zaleca się, aby od czasu do czasu sprawdzić ramiona natryskowe i oczyścić je małą szczoteczka z niemetalem włosiem.



Aby zdjąć górne ramię natryskowe należy przekręcić plastikowy pierścień blokujący w kierunku ruchu wskazówek zegara. Górne ramię natryskowe powinno zostać z powrotem założone w taki sposób, aby strona z większą liczbą otworów była skierowana do góry.



Dolne ramię natryskowe można wyjmować pociągając je w górę.

SYSTEM ZMIĘKCZANIA WODY

Zmiękcacz wody automatycznie zmniejsza twardość wody, tym samym zapobiegając nagromadzeniu osadu na grzałce co z kolei przyczynia się do większej wydajności zmywania.

System sam regeneruje się przy pomocy soli, zatem zbiornik soli należy uzupełniać jak tylko będzie pusty.

Częstotliwość regeneracji jest uzależniona od ustawienia stopnia twardości wody - regeneracja ma miejsce raz na 8 cykli Eko przy poziomie twardości wody ustawionym na 3.

Proces regeneracji rozpoczyna się wraz z ostatnim płukaniem i kończy podczas etapu suszenia przed końcem cyklu.

- Podczas jednej regeneracji: ~Zużycie 3.5 L wody;
- Dodatkowe 5 minut cyklu;
- Zużycie poniżej 0,005 kWh energii elektrycznej.

USUWANIE USTEREK

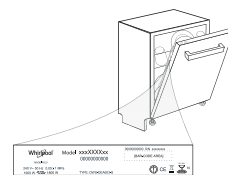
Jeśli zmywarka nie działa prawidłowo, należy sprawdzić czy problem można rozwiązać wykonując czynności opisane poniżej. W przypadku błędów lub problemów prosimy skontaktować się z zakładem serwisowym, którego dane kontaktowe można odnaleźć w książeczce gwarancyjnej. Producent zapewnia dostępność części zastępczych przez co najmniej 10 lat od daty produkcji urządzenia.

PROBLEM	MOŻLIWE PRZYCZYNY	ROZWIĄZANIE
Świeci się wskaźnik poziomu soli	Zbiornik soli jest pusty. (Po napełnieniu kontrolka poziomu soli może się świecić po zakończeniu kilku kolejnych programów zmywania).	Napełnić zbiornik solą (aby uzyskać więcej informacji, patrz strona 2). Dostosować poziom twardości wody, patrz tabela strona 2.
Świeci się wskaźnik dozownika płynu nablyszczającego	Dozownik płynu nablyszczającego jest pusty. (Po napełnieniu kontrolka dozownika płynu nablyszczającego może się świecić po zakończeniu kilku kolejnych programów zmywania).	Napełnić dozownik nablyszczaczem (aby uzyskać więcej informacji, patrz strona 2).
Zmywarka nie włącza się lub nie reaguje na polecenia.	Urządzenie nie zostało prawidłowo podłączone do zasilania. Przerwa w dopływie prądu. Drzwiczki zmywarki nie są zamknięte. Sworzeń NaturalDry nie jest wsunięty. Cykl został przerwany otwarciem drzwiczek przez > 4 sekundy. Nie reaguje na polecenia. Na wyświetlaczu widoczny jest komunikat: Dioda 9 albo 12 i Wł./Wył. szybko migają.	Włożyć wtyczkę przewodu zasilającego do gniazdka. Ze względów bezpieczeństwa, zmywarka nie wznowi automatycznie pracy po ponownym włączeniu prądu. Otworzyć drzwiczki zmywarki, nacisnąć przycisk START/Pauza i zamknąć drzwiczki w przeciągu 4 sekund. Energicznie popchnąć drzwiczki tak, aby było słychać że zostały "zatrzasknięte". Nacisnąć przycisk START/Pauza i zamknąć drzwiczki w ciągu 4 sekund. Wyłączyć urządzenie naciskając przycisk WŁ./WYŁ. , po ok. jednej minucie włączyć je z powrotem i zrestartować program. Jeśli problem nadal występuje, należy odłączyć urządzenie na 1 minutę a następnie podłączyć ponownie.
Zmywarka nie odpompowuje wody. Na wyświetlaczu widoczny jest komunikat: Dioda 3 i Wł./Wył. szybko migają.	Cykl zmywania jeszcze nie został zakończony. Wąż spustowy jest zagięty. Rura odpływu zlewu jest zatkana. Filtr jest zatkany resztkami potraw	Poczekać, aż skończy się cykl zmywania. Sprawdzić, czy wąż odpływowy nie jest zagięty (patrz INSTRUKCJA INSTALACJI). Oczyszczyć rurę odpływu w zlewie. Oczyszczyć filtr (patrz CZYSZCZENIE ZESPOŁU FILTRA).
Zmywarka pracuje zbyt głośno.	Naczynia uderzają o siebie. Wytwarzana jest nadmierna ilość piany.	Prawidłowo ułożyć naczynia (patrz ŁADOWANIE KOSZY). Porcja detergentu nie została poprawnie odmierzona, albo detergent nie nadaje się do stosowania w zmywarkach (patrz NAPEŁNIANIE DOZOWNIKA DETERGENTU). Zrestartować bieżący cykl wyłączając zmywarkę, następnie włączyć ponownie, wybrać nowy program, nacisnąć przycisk START/Pauza i zamknąć drzwiczki w przeciągu 4 sekund. Nie dodawać żadnego detergentu.
Naczynia nie są czyste.	Naczynia nie zostały prawidłowo rozmieszczone. Ramiona natryskowe nie mogą obracać się swobodnie, zaczepiają się o naczynia. Cykl zmywania jest zbyt delikatny. Wytwarzana jest nadmierna ilość piany. Pokrywka przegródki na płyn nablyszczający nie została prawidłowo zamknięta. Filtr jest brudny lub zatkany. Nie ma soli.	Prawidłowo ułożyć naczynia (patrz ŁADOWANIE KOSZY). Prawidłowo ułożyć naczynia (patrz ŁADOWANIE KOSZY). Wybierz odpowiedni cykl zmywania (patrz TABELA PROGRAMÓW). Porcja detergentu nie została poprawnie odmierzona, albo detergent nie nadaje się do stosowania w zmywarkach (patrz NAPEŁNIANIE DOZOWNIKA DETERGENTU). Upewnić się, czy dozownik płynu nablyszczającego jest zamknięty. Oczyszczyć zespół filtra (patrz UTRZYMANIE I KONSERWACJA). Napełnić zbiornik soli (patrz NAPEŁNIANIE ZBIORNIKA SOLI).
Zmywarka nie napełnia się wodą. Na wyświetlaczu widoczny jest komunikat: Dioda H , 6 i Wł./Wył. szybko migają.	Brak wody w sieci wodociągowej lub zawór jest zamknięty. Wąż dopływowy jest zagięty. Sitko w węży dopływowy wody jest zapchane; niezbędne jest jego oczyszczenie.	Sprawdzić, czy woda dopływa z sieci wodociągowej lub czy zawór jest otwarty. Sprawdzić czy wąż dopływowy nie jest zagięty (zobacz INSTALACJA), następnie ponownie zaprogramować i włączyć zmywarkę. Po wykonaniu sprawdzenia i oczyszczenia należy wyłączyć i włączyć zmywarkę, i rozpocząć nowy program.
Zmywarka kończy cykl przedwcześnie. Na wyświetlaczu widoczny jest komunikat: Dioda 15 i Wł./Wył. szybko migają.	Wąż odpływowy ustawiony jest zbyt nisko lub zasysa do kanalizacji domowej. Powietrze w dopływie wody.	Sprawdzić czy końcówka węża odpływowego umieszczona jest na prawidłowej wysokości (zobacz INSTALACJA). Należy sprawdzić pod kątem zasysania do kanalizacji domowej, w razie potrzeby zainstalować zawór napowietrzający. Sprawdzić układ doprowadzania wody pod kątem wycieków lub innych problemów mogących wiązać się z przepuszczaniem powietrza.

Zasady, standardową dokumentację, informacje na temat zamawiania części zamiennych oraz dodatkowe informacje o produkcie można znaleźć:

- Korzystając z kodu QR na swoim produkcie.
- Odwiedzając naszą stronę internetową docs.whirlpool.eu/docs i parts-selfservice.europeanappliances.com
- Ewentualnie można **skontaktować się z naszą obsługą posprzedażową** (patrz numer telefonu w książeczce gwarancyjnej). Kontaktując się z naszą obsługą posprzedażową, należy podać kody zamieszczone na tabliczce identyfikacyjnej produktu.

Informacje o modelu można uzyskać przy pomocy kodu QR podanego na etykiecie energetycznej. Etykieta zawiera również identyfikator modelu, którego można użyć do znalezienia informacji na portalu rejestru pod adresem <https://eprel.ec.europa.eu>.



400020009316

07/2024 jk - Xerox Fabriano



GHID DE REFERINȚĂ PENTRU UTILIZARE ZILNICĂ



VĂ MULȚUMIM CĂ AȚI ACHIZIȚIONAT UN PRODUS WHIRLPOOL.
Pentru a beneficia de servicii complete de asistență, vă rugăm să vă înregistrați aparatul pe:
www.whirlpool.eu/register

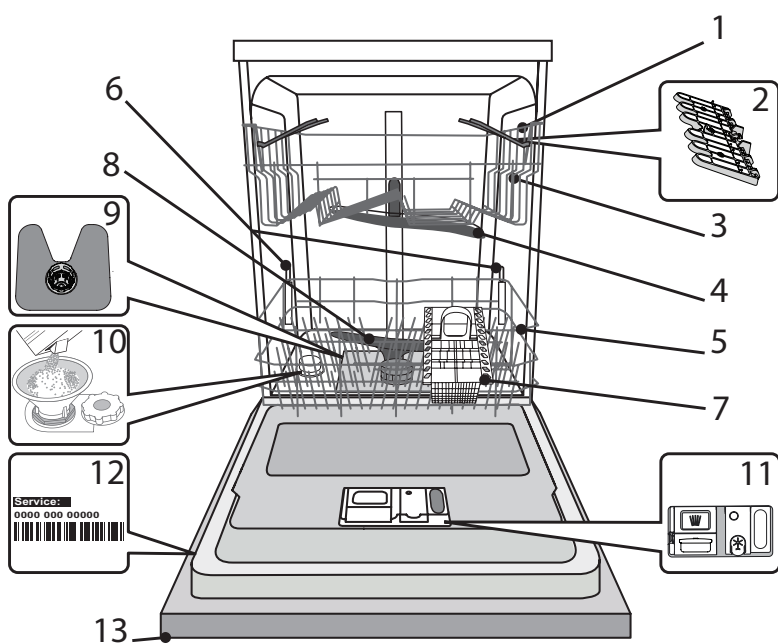
SCANAȚI CODUL QR DE PE APARATUL
DUMNEAVOASTRĂ PENTRU A OBȚINE
INFORMAȚII MAI DETALIAȚE



Înainte de a utiliza aparatul, citiți cu atenție Instrucțiunile de siguranță.

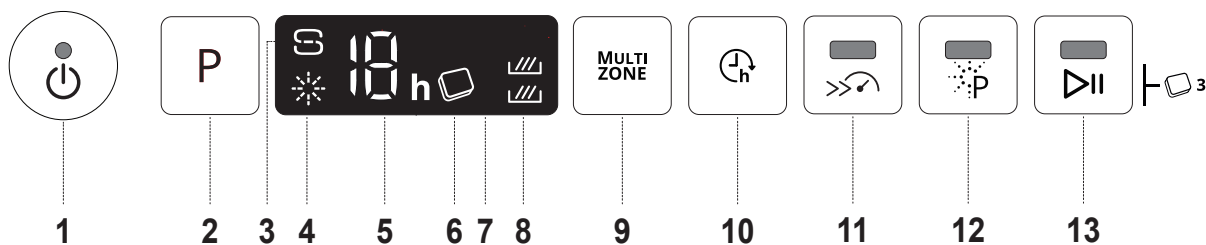
DESCRIEREA PRODUSULUI

APARATUL



1. Coșul superior
2. Clapete rabatabile
3. Mecanism de reglare a înălțimii raftului superior
4. Brațul de pulverizare superior
5. Coșul inferior
6. Suport Power Clean®
7. Coșul pentru tacâmuri
8. Brațul de pulverizare inferior
9. Ansamblu de filtre
10. Compartimentul pentru săruri
11. Dozatoare de detergent și agent de clătire
12. Plăcuța cu datele tehnice
13. Panoul de comandă

PANOU DE COMANDĂ



1. Buton Pornire/Oprire / Resetare cu indicator luminos
2. Butonul pentru selectarea programelor
3. Indicator luminos de nivel al sărurilor
4. Indicator luminos de nivel al agentului de clătire
5. Numărul programului și indicatorul timpului de întârziere
6. Indicator luminos opțiune Tabletă
7. Afișaj
8. Indicator luminos opțiune Multizone
9. Butonul Multizone
10. Buton Întârziere
11. Buton Turbo cu indicator luminos
12. Buton Power Clean® cu indicator luminos
13. Buton PORNIRE/Pauză cu indicator luminos / Tabletă

PRIMA UTILIZARE SĂRURI, AGENT DE CLĂTIRE ȘI DETERGENT


RECOMANDĂRI PRIVIND PRIMA UTILIZARE

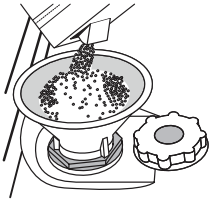
După instalare, demontați opritoarele rafturilor și elementele elastice de fixare a raftului superior.

UMPLEREA COMPARTIMENTULUI PENTRU SĂRURI

Utilizarea sărurilor previne formarea DEPUNERILOR DE CALCAR pe vase și pe componentele funcționale ale mașinii.

- Este obligatoriu ca **COMPARTIMENTUL PENTRU SĂRURI SĂ NU FIE NICIODATĂ GOL.**
- Este important să setați duritatea apei.

Compartimentul pentru săruri se află în partea inferioară a mașinii de spălat vase (*consultați DESCRIEREA PRODUSULUI*) și trebuie să fie umplut când **indicatorul luminos de NIVEL AL SĂRURILOR**  de pe panoul de comandă este aprins.



1. Demontați raftul inferior și desfiletați capacul compartimentului (în sens antiorar).
2. **Nu mai la prima operațiune de acest fel: umpleți compartimentul pentru săruri cu apă.**
3. Poziționați pâlnia (*consultați figura*) și umpleți compartimentul pentru săruri până la margine (aproximativ 1 kg); este perfect normal să curgă puțină apă în afară.
4. Scoateți pâlnia și ștergeți resturile de săruri de pe deschidere.

Asigurați-vă că este înfiletat bine capacul, astfel încât să nu intre detergent în compartiment în timpul programului de spălare (acest lucru poate avaria iremediabil instalația de dedurizare a apei).

Oricând trebuie să adăugați săruri, este obligatoriu să finalizați procedura înainte de a începe ciclul de spălare pentru a evita coroziunea.

SETAREA DURITĂȚII APEI

Pentru a permite instalației de dedurizare a apei să funcționeze perfect, este esențial ca setarea durității apei să se bazeze pe nivelul de duritate a apei din locuința dumneavoastră. Aceste informații pot fi obținute de la furnizorul local de apă.

Fabricantul setează valoarea implicită pentru duritatea apei.

- Porniți aparatul apăsând pe butonul **PORNIRE/OPRIRE**.
- Opriți aparatul apăsând pe butonul **PORNIRE/OPRIRE**.
- Țineți apăsat butonul **P** timp de 5 secunde, până când auziți un semnal sonor.
- Porniți aparatul apăsând pe butonul **PORNIRE/OPRIRE**.
- Numărul nivelului selectat în mod curent și indicatorul luminos de nivel al sărurilor clipească simultan.
- Apăsați butonul **P** pentru a selecta nivelul de duritate dorit (*consultați TABELUL DURITĂȚII APEI*).

Tabelul durității apei				
	Nivel	°dH Grade germane	°fH Grade franceze	°Clark Grade engleze
1	Moale	0 - 6	0 - 10	0 - 7
2	Medie	7 - 11	11 - 20	8 - 14
3	Normală	12 - 16	21 - 29	15 - 20
4	Dură	17 - 34	30 - 60	21 - 42
5	Foarte dură	35 - 50	61 - 90	43 - 62

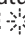
- Opriți aparatul apăsând pe butonul **PORNIRE/OPRIRE**.
- Setarea este finalizată!

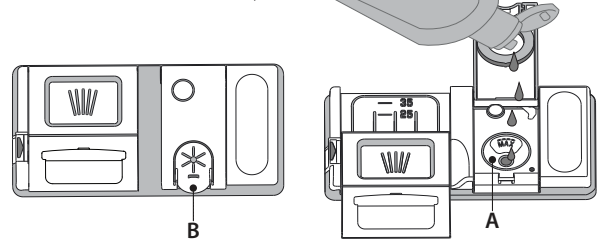
După finalizarea acestei proceduri, rulați un program fără a încărca mașina. **Utilizați numai săruri concepute special pentru mașini de spălat vase.** După ce ați introdus sărurile în mașină, indicatorul luminos de nivel al sărurilor se stinge.

Dacă compartimentul pentru săruri nu este umplut, este posibilă deteriorarea instalației de dedurizare a apei și a rezistenței din cauza acumulării depunerilor.

Se recomandă utilizarea sării indiferent de tipul de detergent pentru mașina de spălat vase.

UMPLEREA DOZATORULUI PENTRU AGENT DE CLĂTIRE

Agentul de clătire facilitează uscarea vaselor. Dozatorul pentru agentul de clătire **A** trebuie umplut atunci când **indicatorul luminos de NIVEL AL AGENTULUI DE CLĂTIRE**  de pe panoul de comandă este aprins.



1. Deschideți dozatorul **B** apăsând și trăgând în sus clapeta de pe capac.
 2. Introduceți cu grijă agentul de clătire până la marcajul de referință maxim (110 ml) al spațiului de umplere - evitați scurgerile. În caz contrar, curățați imediat folosind o lavetă uscată.
 3. Apăsați capacul în jos până când auziți un clic de închidere.
- Nu turnați NICIODATĂ agentul de clătire direct în cuvă.**

REGLAREA DOZEI DE AGENT DE CLĂTIRE

Dacă nu sunteți pe deplin mulțumit de rezultatele de uscare, puteți regla cantitatea de agent de clătire utilizat.

- Porniți mașina de spălat vase folosind butonul **PORNIRE/OPRIRE**.
- Opriți-o folosind butonul **PORNIRE/OPRIRE**.
- Apăsați pe butonul **P** de trei ori - se va auzi un semnal sonor.
- Porniți mașina folosind butonul **PORNIRE/OPRIRE**.
- Numărul nivelului selectat în mod curent și indicatorul luminos de nivel al agentului de clătire clipească.
- Apăsați pe butonul **P** pentru a selecta cantitatea de agent de clătire care trebuie alimentată.
- Opriți mașina folosind butonul **PORNIRE/OPRIRE**.
- Setarea este finalizată!

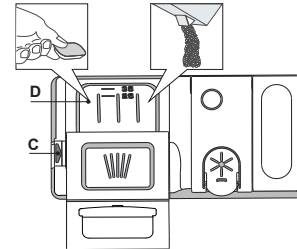
Dacă nivelul de agent de clătire este setat la ZERO (ECO), nu se va alimenta cu agent de clătire. Indicatorul luminos pentru NIVEL SCĂZUT DE AGENT DE CLĂTIRE nu se va aprinde dacă agentul de clătire este consumat. Pot fi setate maxim 5 niveluri în conformitate cu modelul de mașină de spălat vase. Setarea din fabrică este specifică modelului, vă rugăm să respectați instrucțiunile de mai sus pentru a verifica setarea adecvată pentru mașina dumneavoastră.

- Dacă observați urme albastre pe vase, setați un număr mic (1-2).
- Dacă există urme de apă sau depuneri de calcar pe vase, setați un număr mare (3-4).

UMPLEREA DOZATORULUI DE DETERGENT

Pentru a deschide dozatorul de detergent, folosiți dispozitivul de deschidere C.

Introduceți detergent numai în compartimentul uscat D. Introduceți cantitatea de detergent pentru prespălare direct în cuvă.



1. Atunci când măsurați cantitatea de detergent, consultați informațiile menționate anterior pentru a adăuga cantitatea corespunzătoare. În interiorul dozatorului **D** există indicații care vă pot ajuta la dozarea detergentului.
2. Îndepărtați resturile de detergent de pe marginile dozatorului și închideți sonor capacul.
3. Închideți capacul dozatorului de detergent trăgând în sus până când dispozitivul de închidere este fixat în poziție.

Dozatorul de detergent se deschide automat la momentul potrivit, în conformitate cu programul.

Dacă se utilizează detergenți universali, vă recomandăm să folosiți butonul **TABLETĂ**, deoarece reglează programul pentru a se obține întotdeauna rezultate optime de spălare și uscare.

Utilizarea unui detergent care nu este conceput pentru mașinile de spălat vase poate provoca defecțiuni sau deteriorarea mașinii.

TABEL CU PROGRAME

Program	Durate de uscare	Natural-Dry	Opțiuni disponibile *)	Durata programului de spălare (h:min)**	Consum de apă (litri/ciclu)	Consum de energie (kWh/ciclu)	
1. Eco	ECO 50°	✓	✓		3:10	6,5	0,85
2. 6 th Sense®	50-60°	✓	✓		1:25 - 3:00	7,0 - 14,0	0,90 - 1,40
3. Intensiv	65°	✓	✓		2:50	14,0	1,50
4. Spălare și uscare rapidă	50°	✓	✓		1:25	11,5	1,10
5. Cristal	45°	✓	✓		1:40	11,5	1,20
6. Rapidă 30'	50°	-	-		0:30	9,0	0,50
7. Silențios	50°	✓	✓		3:30	15,0	1,15
8. Igienizare	65°	✓	-		1:40	10,0	1,30
9. Prespălare	-	-	-		0:12	4,5	0,01
10. Autocurățare	65°	-	-		1:35	14,0	1,15

Datele programului ECO sunt stabilite în condiții de laborator, în conformitate cu standardul european EN 60436:2020.

Notă pentru laboratoarele de testări: pentru informații privind condițiile testului comparativ EN, trimiteți o solicitare la adresa:

dw_test_support@europeanappliances.com

Nu este necesară tratarea în prealabil a vaselor înaintea oricăruia dintre aceste programe.

*) Nu toate opțiunile pot fi utilizate simultan.

***) Valorile date pentru alte programe diferite de programul Eco sunt doar orientative. Durata actuală poate varia în funcție de o multitudine de factori, cum ar fi temperatura și presiunea apei la intrare, temperatura încăperii, cantitatea de detergent, dimensiunea și tipul încărcăturii, distribuția încărcăturii, opțiunile suplimentare selectate și calibrarea senzorului. Calibrarea senzorului poate mări durata programului cu până la 20 min.

DESCRIEREA PROGRAMELOR

Instrucțiuni privind selectarea ciclului de spălare.

1 ECO

Programul Eco este potrivit pentru curățarea tacâmurilor cu un grad mediu de murdărie, fiind cel mai eficient program pentru această utilizare din punct de vedere al consumului combinat de energie și apă și este utilizat pentru a evalua respectarea legislației UE de proiectare ecologică.

2 6th SENSE®

Pentru vase cu grad normal de murdărie, cu resturi uscate de alimente. Detectează gradul de murdărie a vaselor și adaptează programul în funcție de acesta. În momentul în care senzorul detectează gradul de murdărie, pe afișaj apare o animație și durata ciclului se actualizează.

3 INTENSIV

Program recomandat pentru vase foarte murdare, adecvat în special pentru tigăi și cratițe (a nu se utiliza în cazul articolelor delicate).

4 SPĂLARE ȘI USCARE RAPIDĂ

Vase normal murdare. Ciclu zilnic, care asigură performanțe de curățare și uscare optime într-un timp mai scurt.

5 CRISTAL

Program pentru articole delicate, mai sensibile la temperaturi ridicate, de exemplu pahare și cești.

6 RAPIDĂ 30'

Program utilizat pentru mașina încărcată pe jumătate cu vase cu grad redus de murdărie, fără resturi uscate de alimente. Nu are etapă de uscare.

7 SILENȚIOS

Program adecvat pentru funcționarea pe timpul nopții a aparatului. Asigură performanțe optime de curățare și uscare cu emisii minime de zgomot.

8 IGIENIZARE

Vase normal murdare sau foarte murdare, cu acțiune antibacteriană suplimentară. Poate fi utilizat pentru efectuarea întreținerii mașinii de spălat vase.

9 PRESPĂLARE

Utilizat pentru a împăspăta vasele care trebuie să fie spălate mai târziu. A nu se utiliza detergent cu acest program.

10 AUTOCURĂȚARE

Utilizați acest program pentru a efectua întreținerea mașinii de spălat vase; a se realiza numai când mașina de spălat vase este GOALĂ, utilizând detergenți special concepuți pentru întreținerea mașinii de spălat vase

Note:

Vă rugăm să rețineți că ciclul Rapidă 30' este destinat vaselor cu un grad redus de murdărie.

OPȚIUNI ȘI FUNCȚII

OPȚIUNILE pot fi selectate direct prin apăsarea pe butonul corespunzător (consultați *PANOUL DE COMANDĂ*).

Dacă o opțiune nu este compatibilă cu programul selectat, consultați TABELUL CU PROGRAME, LED-ul aferent clipește rapid de 3 ori și sunt emise semnale sonore. Opțiunea nu va fi activată.

MULTI ZONE MULTIZONE

Dacă nu aveți multe vase de spălat, puteți utiliza programul de încărcare la jumătate pentru a economisi apă, energie electrică și detergent.

Selectați programul și apoi apăsați pe butonul MULTIZONE: indicatorul butonului se aprinde, iar simbolul raftului selectat apare pe afișaj. În mod implicit, aparatul spală vasele de pe toate rafturile.

Pentru a spăla numai un anumit raft, apăsați pe acest buton de mai multe ori:



afișat pe ecran (numai raftul inferior)



afișat pe ecran (numai raftul superior)



afișat pe ecran (opțiunea este DEZACTIVATĂ, iar aparatul va spăla vasele de pe toate rafturile).

Nu uitați să încărcați numai raftul superior sau numai raftul inferior, și să reduceți cantitatea de detergent în mod corespunzător.

Dacă se scoate coșul superior, vă rugăm să aplicați detergentul direct în cuvă, și nu în dozatorul de detergent.



INTĂRZIERE

Pornirea programului poate fi amânată pentru o perioadă de timp cuprinsă între **1 și 12** ore.

1. Apăsați pe butonul ÎNTĂRZIERE: pe afișaj apare simbolul corespunzător „h”; la fiecare apăsare pe buton, durata de temporizare (1 h, 2 h etc. până la max. 12 h) până la pornirea ciclului de spălare selectat va crește.

2. Selectați programul de spălare, apăsați pe butonul PORNIRE/PAUZĂ și închideți ușa în decursul a 4 secunde: temporizatorul va începe număratoarea inversă.

3. După finalizarea perioadei de timp setate, indicatorul luminos „h” se stinge, iar ciclul de spălare începe.

Pentru a regla durata de temporizare și pentru a selecta o perioadă mai scurtă de timp, apăsați pe butonul ÎNTĂRZIERE. Pentru a anula, apăsați în mod repetat pe buton până când indicatorul luminos „h” al duratei de temporizare se stinge.

Funcția ÎNTĂRZIERE nu poate fi setată după pornirea ciclului de spălare.



TURBO

Această opțiune poate fi utilizată pentru a reduce durata programelor principale, menținând totodată aceleași niveluri de performanță la spălare și uscare.

După selectarea programului, apăsați pe butonul TURBO, iar indicator luminos respectiv se va aprinde. Pentru a deselecta opțiunea, apăsați din nou pe același buton.

SISTEMUL DE RECICLARE A APEI

Utilizând programul Eco, această mașină de spălat vase vă permite să economisiți până la 3 litri de apă. Apa economisită este filtrată și depozitată într-un rezervor special și va fi reutilizată la următorul program Eco. Din motive de igienă, dacă ciclul Eco nu este utilizat timp de trei sau mai multe zile, este recomandată efectuarea unui ciclu de curățare a mașinii de spălat vase. Se poate efectua utilizându-se ciclul de autocurățare (consultați tabelul cu programe).



POWER CLEAN®

Datorită jeturilor cu putere suplimentară, această opțiune oferă o spălare mai intensivă și mai puternică în coșul inferior, într-o anumită zonă. Această opțiune este recomandată pentru spălarea oalelor și a cratițelor. Apăsați pe acest buton pentru a activa POWER CLEAN (indicatorul se aprinde).

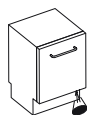


TABLETĂ

Această setare vă permite să optimizați performanțele programului în funcție de tipul de detergent folosit.

Apăsați butonul PORNIRE/PAUZĂ timp de 3 secunde (simbolul corespunzător se va aprinde) în cazul în care utilizați detergenți combinați sub formă de tabletă (agent de clătire, săruri și detergent într-o singură doză).

Dacă folosiți detergent pudră sau lichid, această opțiune trebuie să fie dezactivată.



INDICATOR DE FUNCȚIONARE

Lumina unui LED proiectată pe podea indică faptul că mașina de spălat vase este în funcțiune. Poate fi selectat unul dintre următoarele moduri de utilizare:

a) Funcție dezactivată.

b) Când începe ciclul, lumina se aprinde timp de câteva secunde, rămâne stinsă în timpul desfășurării ciclului și clipește la terminarea acestuia.

c) Lumina rămâne aprinsă în timpul desfășurării ciclului și clipește la terminarea acestuia. (mod implicit).

Dacă a fost setată pornirea temporizată, lumina se aprinde fie în primele câteva secunde, fie pe întreaga durată a numărătorii inverse, în funcție de modul b) sau c) setat.

Lumina se stinge de fiecare dată când este deschisă ușa. Pentru a selecta modul preferat, porniți mașina, țineți apăsat butonul **P** până când pe afișaj apare una dintre cele trei litere, apăsați pe butonul **P** până când ajungeți la litera dorită (sau modul dorit), țineți apăsat butonul **P** pentru a confirma selecția.

Notă: Dacă sistemul NaturalDry este activ și deschide ușa, indicatorul de funcționare nu va clipi la sfârșitul ciclului.

NaturalDry

NaturalDry este unul de uscare prin convecție, care deschide automat ușa în timpul desfășurării/după desfășurarea etapei de uscare pentru a asigura performanțe excepționale de uscare în fiecare zi.

Ușa se deschide la o temperatură care este sigură pentru mobilierul din bucătăria dvs., astfel ușa nu va fi deschisă atunci când este activă opțiunea TURBO.

Ca protecție suplimentată împotriva acțiunii aburilor, se poate adăuga și o folie de protecție specială pe mașina de spălat vase. Pentru a afla cum trebuie montată folia de protecție, vă rugăm să consultați GHIDUL DE INSTALARE.

Funcționalitatea *NaturalDry* poate fi dezactivată de către utilizator după cum urmează:

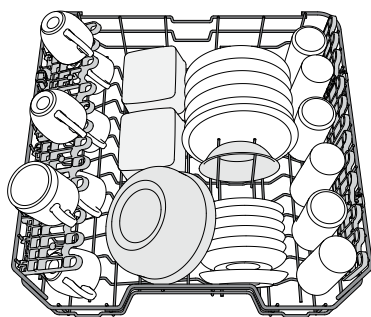
- Accesați meniul software-ului mașinii de spălat apăsând și menținând apăsat butonul **P** (6 secunde).
- Acum vă aflați în meniul pentru controlul luminii (vă rugăm să consultați descrierea pentru INDICATOR DE FUNCȚIONARE); dacă nu doriți să efectuați nicio modificare, vă rugăm să apăsați și să mențineți apăsat butonul **P** (până când una dintre cele două litere apare pe afișaj).
- Comutați în meniul pentru controlul *NaturalDry* pentru a putea modifica starea funcționalității *NaturalDry* apăsând butonul **P**:

E – activat **d** – dezactivat

Pentru a confirma schimbarea și pentru a ieși din meniul de control, vă rugăm să apăsați și să mențineți apăsat butonul **P** (3 secunde).

ÎNCĂRCAREA RAFTURILOR

COȘUL SUPERIOR



(exemplu de încărcare pentru raftul superior)

Încărcați vasele delicate și ușoare: pahare, cești, farfurioare, boluri pentru salată puțin adânci.

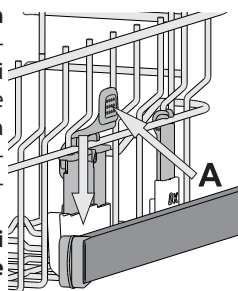
REGLAREA ÎNĂLȚIMII RAFTULUI SUPERIOR

Înălțimea raftului superior poate fi reglată: în poziție înaltă pentru a introduce vesela voluminoasă pe raftul inferior și în poziție joasă pentru a profita din plin de suporturile rabatabile, creând mai mult spațiu în partea superioară și evitând ciocnirea cu articolele de pe raftul inferior.

Raftul superior este prevăzut cu un **mecanism de reglare a înălțimii raftului superior** (consultați figura); fără a apăsa pe manete, ridicați în sus ținând pur și simplu de părțile laterale ale raftului, și fixați imediat ce raftul este stabil în poziția de sus. Pentru a reveni în poziția inferioară, apăsați pe manetele **A** din părțile laterale ale raftului și deplasați-l în jos.

Vă recomandăm cu insistență să nu reglați înălțimea raftului atunci când acesta este încărcat.

Nu ridicați și nu coborâți NICIODATĂ raftul numai pe o singură parte.



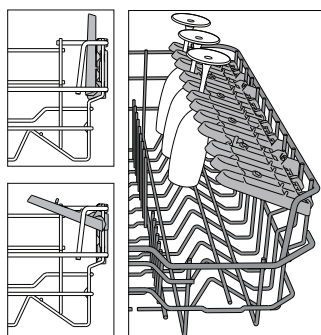
CLAPETE RABATABILE CU POZIȚIE REGLABILĂ

Clapetele rabatabile laterale pot fi pliate sau depliate pentru a optimiza aranjarea veselei pe raft.

Paharele pentru vin pot fi așezate în siguranță pe clapetele rabatabile, introducând picioarele acestora în fantele corespunzătoare.

În funcție de model:

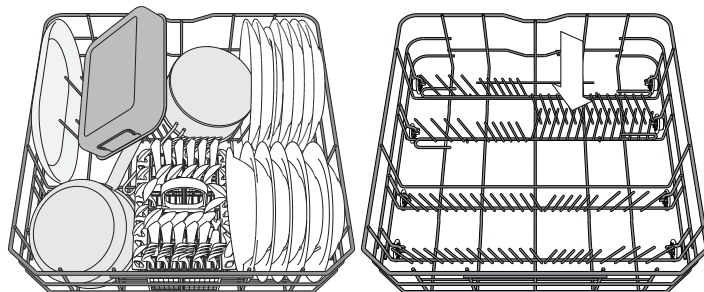
- pentru a deplia clapetele, este necesar să le glisați în sus și să le rotiți sau să le eliberați din clemele de fixare, trăgându-le în jos.
- pentru a plia clapetele, este necesar să le rotiți și să le glisați în jos sau să le trageți în sus și să le fixați pe poziție.



COȘUL INFERIOR

Pentru oale, capace, farfurii, boluri pentru salată, tacâmuri etc. În mod ideal, farfuriile și capacele mari trebuie amplasate în părțile laterale, pentru a se evita interferențele cu brațul de pulverizare.

Raftul inferior este prevăzut cu suporturi rabatabile care pot fi utilizate în poziție verticală pentru aranjarea farfuriilor sau în poziție orizontală (joasă) pentru încărcarea cu ușurință a cratițelor și bolurilor pentru salată.

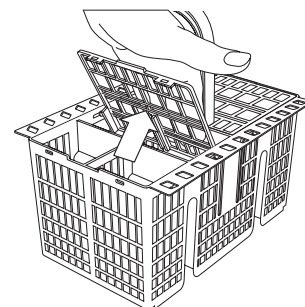


(exemplu de încărcare pentru raftul inferior)

COȘUL PENTRU TACĂMURI

Este prevăzut cu grătare de înaltă calitate pentru dispunerea optimă a tacâmurilor. Acesta trebuie poziționat numai în partea din față a raftului inferior.

Cuțitele și alte ustensile cu margini ascuțite trebuie amplasate în coșul pentru tacâmuri cu vârfurile orientate în jos sau poziționate orizontal în compartimentele rabatabile ale raftului superior.



POWER CLEAN ÎN RAFTUL INFERIOR

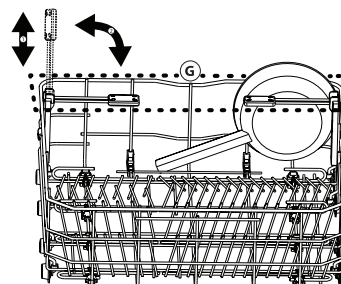
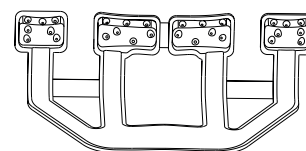
Power Clean® folosește jeturile speciale de apă din partea posterioară a cavității pentru a spăla intensiv articolele foarte murdare.

Raftul inferior este prevăzut cu o zonă de economisire a spațiului, un suport special care se trage din partea din spate a raftului și care poate fi utilizat pentru a susține tigăile sau tăvile de copt în poziție verticală, astfel ocupându-se mai puțin spațiu.

Poziționând oalele/cratițele cu fața spre componenta Power Clean®, vă rugăm să activați **POWER CLEAN** pe panou.

Utilizarea Power Clean®:

1. Reglați zona Power Clean® (G) rabatând în jos suporturile din spate pentru farfurii, pentru a încărca oalele.
2. Încărcați oalele și cratițele înclinate pe verticală în zona Power Clean®. Oalele trebuie să fie înclinate spre jeturile intensive de apă.



UTILIZAREA ZILNICĂ

1. VERIFICAREA RACORDĂRII LA REȚEAUA DE ALIMENTARE CU APĂ

Verificați ca mașina de spălat vase să fie racordată la rețeaua de alimentare cu apă și ca robinetul să fie deschis.

2. PORNIREA MAȘINII DE SPĂLAT VASE

Deschideți ușa și apăsați pe butonul de **PORNIRE/OPRIRE**.

3. ÎNCĂRCAREA RAFTURILOR (consultați ÎNCĂRCAREA RAFTURILOR).

4. UMLETEREA DOZATORULUI DE DETERGENT

5. SELECTAREA PROGRAMULUI ȘI PERSONALIZAREA CICLULUI

Selectați cel mai adecvat program în conformitate cu tipul de veselă și gradul de murdărie al acesteia (consultați *DESCRIEREA PROGRAMELOR*) apăsând pe butonul **P**.

Selectați opțiunile dorite (consultați *OPȚIUNI ȘI FUNCȚII*).

6. PORNIREA

Porniți ciclul de spălare prin apăsarea butonului **PORNIRE/Pauză** (LED aprins) și închideți ușa în decursul a 4 secunde. La pornirea programului, se aude un singur semnal sonor. Dacă ușa nu este închisă în decursul a 4 secunde, se aude sunetul de alarmă.

În acest caz, deschideți ușa, apăsați pe butonul **PORNIRE/Pauză** și închideți ușa în decursul a 4 secunde.

7. TERMINAREA CICLULUI DE SPĂLARE

Terminarea ciclului de spălare este indicată de semnalele sonore și de clipirea numărului ciclului de spălare pe afișaj. Deschideți ușa și opriți aparatul apăsând pe butonul **PORNIRE/OPRIRE**.

Așteptați câteva minute înainte de a scoate vesela pentru a evita producerea arsurilor. Descărcați rafturile, începând cu cel inferior.

Mașina se va opri automat în timpul anumitor perioade prelungite de inactivitate, pentru a reduce consumul de electricitate.

Dacă vasele prezintă un grad redus de murdărie sau dacă au fost clătite cu apă înainte de a le introduce în mașina de spălat vase, reduceți în mod corespunzător cantitatea de detergent utilizat.

MODIFICAREA UNUI PROGRAM CARE RULEAZĂ

Dacă a fost selectat un program greșit, îl puteți schimba, cu condiția ca acesta abia să fi început: deschideți ușa, apăsați și mențineți apăsat butonul de **PORNIRE/OPRIRE** și mașina se va opri. Reporniți mașina folosind butonul de **PORNIRE/OPRIRE** și selectați noul ciclu de spălare, precum și opțiunile dorite; porniți ciclul apăsând pe butonul **PORNIRE/Pauză** și închizând ușa în decursul a 4 secunde.

ADĂUGAREA DE VASE SUPLIMENTARE

Fără a opri mașina, deschideți ușa (LED-ul pentru PORNIRE/Pauză începe să clipească) (**atenție la aburii FIERBINȚII!**) și introduceți vasele în mașină. Apăsați pe butonul **PORNIRE/Pauză** și închideți ușa în decursul a 4 secunde; ciclul va fi reluat din punctul în care a fost întrerupt.

ÎNTRERUPERI ACCIDENTALE

Dacă ușa este deschisă în timpul ciclului de spălare sau dacă s-a produs o pană de curent, ciclul se oprește. Pentru a relua ciclul din punctul în care a fost întrerupt, apăsați pe butonul **PORNIRE/Pauză** și închideți ușa în decursul a 4 secunde.

SFATURI ȘI RECOMANDĂRI

RECOMANDĂRI

Înainte de a încărca rafturile, eliminați toate resturile de alimente de pe vase și goliți paharele. **Nu este necesar să le clătiți în prealabil sub jet de apă curentă.**

Aranjați vesela astfel încât să fie bine poziționată și să nu se răstoarne; de asemenea, aranjați recipientele cu deschiderile în jos și așezați înclinat articolele concave/convexe, pentru a permite apei să ajungă pe orice suprafață și să curgă liber.

Avertisment: capacele, mânerele, tăvile și tigăile nu trebuie să împiedice rotirea brațelor de pulverizare.

Amplasați articolele mici în coșul pentru tacâmuri. Vasele și cratițele foarte murdare trebuie așezate pe raftul inferior deoarece în această zonă jeturile de apă sunt mai puternice și se înregistrează performanțe mai mari de spălare. După încărcarea aparatului, asigurați-vă că brațele de pulverizare se pot roti liber.

VESELĂ NECORESPUNZĂTOARE PENTRU SPĂLAREA ÎN MAȘINĂ

- Veselă și tacâmuri din lemn.
- Pahare cu decorațiuni delicate, veselă artizanală și veselă antică. Aceste decorațiuni nu sunt rezistente la spălarea în mașina de spălat vase.
- Articole din material sintetic care nu sunt rezistente la temperaturi ridicate.
- Veselă din cupru și cositor.
- Veselă murdară de cenușă, ceară, unsoare sau cerneală.

Culorile decorațiunilor de pe articolele din sticlă și ale articolelor din aluminiu/argint se pot modifica și pot albi în timpul procesului de spălare. Unele tipuri de articole din sticlă (de exemplu, obiecte de cristal) pot deveni opace după câteva cicluri de spălare.

DETERIORAREA PAHARELOR ȘI A VESELEI

- Utilizați numai pahare și veselă din porțelan marcate de către producător ca fiind rezistente la spălarea în mașină.
- Utilizați un detergent delicat pentru veselă
- Scoateți paharele și vesela din mașina de spălat vase imediat ce ciclul de spălare este finalizat.

RECOMANDĂRI PRIVIND ECONOMISIREA DE ENERGIE

- Atunci când mașina de spălat vase este folosită conform instrucțiunilor producătorului, **spălarea tacâmurilor într-o mașină de spălat vase consumă de obicei MAI PUȚINĂ ENERGIE și apă decât spălarea manuală.**
- Pentru a crește la maximum eficiența mașinii de spălat vase, se recomandă **inițierea ciclului de spălare după ce mașina este încărcată complet.** Încărcarea mașinii de spălat vase de uz domestic până la capacitatea indicată de producător va contribui la economii de energie și apă. Informații despre încărcarea corectă a vaselor pot fi găsite în capitolul ÎNCĂRCAREA RAFTURILOR. În cazul încărcării parțiale, se recomandă utilizarea opțiunilor de spălare dedicate, dacă sunt disponibile (Half load/ Zone Wash/ Multizone), adăugând vase doar pe rafturile selectate. Încărcarea incorectă sau supraîncărcarea mașinii de spălat vase poate crește utilizarea resurselor (cum ar fi apa, energia și timpul, precum și nivelul de zgomot), reducând performanțele de curățare și uscare.
- Pre-clătirea manuală a vaselor duce la creșterea consumului de apă și energie și nu este recomandată.

IGIENĂ

Pentru a evita acumularea mirosurilor neplăcute și a sedimentelor în mașina de spălat vase, **vă rugăm să rulați un program de temperatură ridicată cel puțin o dată pe lună.** Folosiți o măsură de detergent și rulați un program fără a încărca vase pentru a curăța aparatul.

CURĂȚAREA ȘI ÎNTREȚINEREA

CURĂȚAREA ANSAMBLULUI DE FILTRE

Curățați în mod regulat ansamblul de filtre astfel încât filtrele să nu se înfunde și apa reziduală să fie evacuată în mod corespunzător.

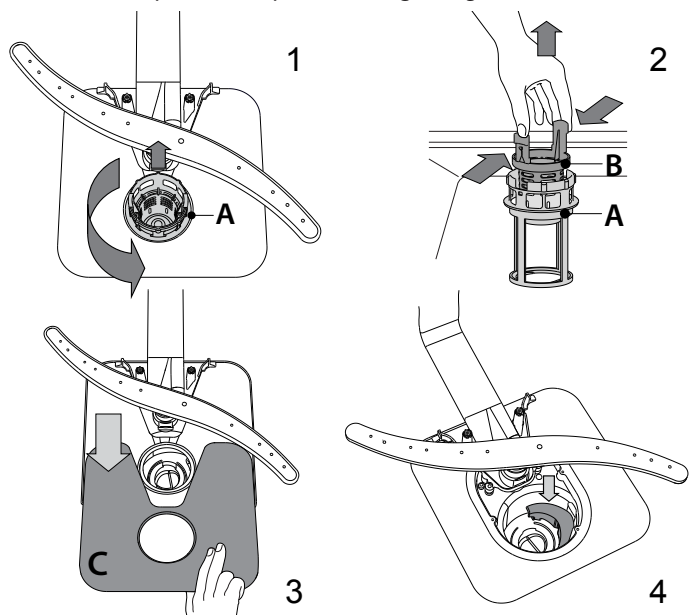
Utilizarea mașinii de spălat vase cu filtre înfundate sau obiecte străine în interiorul sistemului de filtrare sau al brațelor de pulverizare poate provoca defecțiuni ale unității, conducând la scăderea performanței, creșterea nivelului de zgomot sau utilizarea mai multor resurse.

Ansamblul de filtre este alcătuit din trei filtre care îndepărtează resturile de alimente din apa de spălare, permițând apoi recircularea acesteia.

Mașina de spălat vase nu trebuie utilizată fără filtre sau dacă un filtru este desprins.

Cel puțin o dată pe lună sau după fiecare 30 de cicluri, verificați ansamblul de filtre și, dacă este necesar, curățați-l temeinic sub jet de apă curentă, folosind o perie nemetalică și respectând instrucțiunile de mai jos:

1. Rotiți filtrul cilindric **A** în sens antiorar și scoateți-l afară (Fig 1).
2. Demontați filtrul în formă de ceașcă **B** apăsând ușor pe clapetele laterale (Fig 2).
3. Culisați în afară placa din oțel inoxidabil a filtrului **C** (Fig 3).
4. În cazul în care găsiți obiecte străine (cum ar fi sticlă spartă, porțelan, oase, semințe de fructe etc.), vă rugăm să le îndepărtați cu atenție.
5. Examinați obturațiile și îndepărtați resturile de alimente.
NU DEMONTAȚI NICIODATĂ protecția pompei acționate în timpul ciclului de spălare (componentă neagră) (Fig 4).



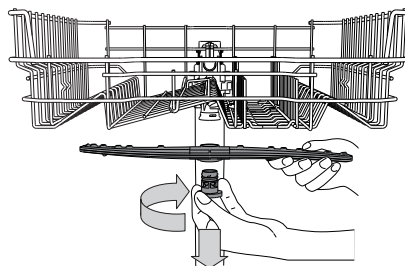
După curățarea filtrelor, montați la loc ansamblul de filtre și fixați-l în poziția corectă; acest lucru este esențial pentru menținerea funcționării eficiente a mașinii de spălat vase.

CURĂȚAREA FURTUNULUI DE ALIMENTARE CU APĂ

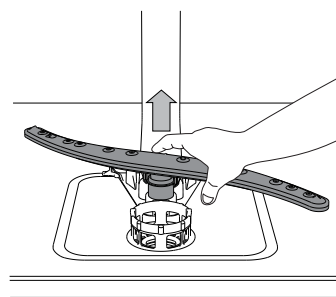
Dacă furtunurile pentru apă sunt noi sau dacă nu au fost utilizate o perioadă lungă de timp, lăsați apa să curgă pentru a vă asigura că acestea sunt curate și că nu prezintă impurități înainte de a efectua conexiunile necesare. Dacă nu luați măsurile de precauție necesare, furtunul de alimentare cu apă se poate bloca și poate deteriora mașina de spălat vase.

CURĂȚAREA BRAȚELOR DE PULVERIZARE

Ocazional, resturile de alimente se pot usca pe brațele de pulverizare și pot bloca orificiile de pulverizare a apei. Prin urmare, se recomandă să verificați brațele din când în când și să le curățați folosind o perie nemetalică mică.



Pentru a demonta brațul de pulverizare superior, rotiți inelul de fixare din plastic în sens antiorar. Brațul de pulverizare superior trebuie introdus astfel încât partea cu cele mai multe orificii să fie îndreptată în sus.



Brațul de pulverizare inferior poate fi demontat prin tragerea în sus.

SISTEMUL DE DEDURIZARE A APEI

Sistemul de dedurizare a apei reduce automat duritatea apei, împiedicând astfel acumularea de depuneri pe încălzitor și contribuind, de asemenea, la creșterea eficienței de curățare.

Acest sistem se regenerează singur cu sare, de aceea este necesar să reumpleți recipientul pentru sare când este gol.

Frecvența regenerării depinde de setarea nivelului durității apei - regenerarea are loc odată la 8 cicluri Eco cu nivelul durității apei setat la 3. Procesul de regenerare începe la clătirea finală și se termină în faza de uscare, înainte de terminarea ciclului.

- Procesul de regenerare implică următorul consum: ~3.5 L de apă;
- Aduagă până la 5 minute suplimentare pe ciclu;
- Consumul de energie este sub 0,005 kWh.

REMEDIEREA PROBLEMELOR

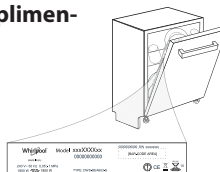
În cazul în care mașina de spălat vase nu funcționează corect, verificați dacă problema poate fi remediată parcurgând lista de mai jos. Pentru alte erori sau probleme, vă rugăm să contactați serviciul de asistență tehnică post-vânzare autorizat, ale cărui date de contact pot fi găsite în certificatul de garanție. Producătorul asigură disponibilitatea pieselor de schimb pentru cel puțin 10 ani de la data producerii aparatului.

PROBLEME	CAUZE POSIBILE	SOLUȚII
Indicatorul de sare este aprins	Rezervorul de sare este gol. (După reumplere, indicatorul pentru sare poate rămâne aprins pe durata mai multor cicluri de spălare).	Reumpleți rezervorul cu sare (pentru mai multe informații - vezi pagina 2). Corecți nivelul de duritate a apei - vezi tabelul de la pagina 2.
Indicatorul agentului de clătire este aprins	Dozatorul pentru agentul de clătire este gol. (După reumplere, indicatorul agentului de clătire poate rămâne aprins pe durata mai multor cicluri de spălare).	Reumpleți dozatorul cu agent de clătire (pentru mai multe informații - vezi pagina 2).
Mașina de spălat vase nu pornește sau nu răspunde la comenzi.	Aparatul nu a fost conectat la priză în mod corespunzător.	Introduceți ștecherul în priză.
	Pană de curent.	Din motive de siguranță, mașina de spălat vase nu va reporni automat la restabilirea alimentării cu energie. Deschideți ușa mașinii de spălat vase, apăsați butonul PORNIRE/Pauză și închideți ușa în 4 secunde.
	Ușa mașinii de spălat vase nu este închisă. Știftul NaturalDry nu este tras.	Împingeți ferm ușa până când auziți un „clic”.
	Ciclul este întrerupt prin deschiderea ușii timp de > 4 secunde.	Apăsați butonul PORNIRE/Pauză și închideți ușa în decurs de 4 secunde.
Mașina de spălat vase nu răspunde la comenzi. Pe afișaj apare: 9 sau 12 și LED-ul de PORNIRE/OPRIRE clipește rapid.	Aparatul nu răspunde la comenzi.	Opriți aparatul apăsând pe butonul PORNIRE/OPRIRE, reporniți-l după aproximativ un minut și reporniți programul. Dacă problema persistă, deconectați aparatul timp de 1 minut, apoi conectați-o din nou.
	Încă nu s-a terminat ciclul de spălare.	Așteptați finalizarea ciclului de spălare.
	Furtunul de evacuare este îndoit.	Asigurați-vă că furtunul de evacuare nu este îndoit (consultați INSTRUCȚIUNILE DE INSTALARE).
	Conducta de evacuare a chiuvetei este blocată.	Curățați conducta de evacuare a chiuvetei.
Mașina de spălat vase produce zgomot excesiv.	Filtrul este înfundat cu resturi de alimente	Curățați filtrul (consultați CURĂȚAREA ANSAMBLULUI DE FILTRE).
	Vasele se lovesc unele de celelalte.	Aranjați corect vesela (consultați ÎNCĂRCAREA RAFTURILOR).
	S-a produs o cantitate excesivă de spumă.	Detergentul nu a fost măsurat corect sau nu este adecvat pentru utilizare în mașini de spălat vase (consultați UMPLEREA DOZATORULUI DE DETERGENT). Reporniți ciclul curent prin oprirea mașinii de spălat vase, apoi reporniți-o, selectați un program nou, apăsați butonul PORNIRE/Pauză și închideți ușa în decurs de 4 secunde. Vă rugăm să nu mai adăugați detergent.
Vasele nu sunt curate.	Vesela nu a fost aranjată corespunzător.	Aranjați corect vesela (consultați ÎNCĂRCAREA RAFTURILOR).
	Brațele de pulverizare nu se pot roti liber, acestea fiind împiedicate de vase.	Aranjați corect vesela (consultați ÎNCĂRCAREA RAFTURILOR).
	Ciclul de spălare este prea lejer.	Selectați un ciclu de spălare corespunzător (consultați TABELUL CU PROGRAME).
	S-a produs o cantitate excesivă de spumă.	Detergentul nu a fost măsurat corect sau nu este adecvat pentru utilizare în mașini de spălat vase (consultați UMPLEREA DOZATORULUI DE DETERGENT).
	Capacul compartimentului pentru agent de clătire nu a fost închis corect.	Asigurați-vă că este închis capacul dozatorului pentru agent de clătire.
	Filtrul este murdar sau înfundat.	Curățați ansamblul de filtre (consultați secțiunea ÎNGRIJIRE ȘI ÎNTREȚINERE).
	Lipsește sărurile.	Umpleți compartimentul p entru săruri (consultați UMPLEREA COMPARTIMENTULUI PENTRU SĂRURI).
Mașina de spălat vase nu încarcă apă. Pe afișaj apare: H , 6 și LED-ul de PORNIRE/OPRIRE clipește rapid.	Nu există apă în rețeaua de alimentare sau robinetul este închis.	Asigurați-vă că există apă în rețeaua de alimentare sau că robinetul este deschis.
	Furtunul de alimentare este îndoit.	Asigurați-vă că furtunul de alimentare nu este îndoit (consultați INSTALARE), reprogrameți mașina de spălat vase și reporniți-o.
	Sita furtunului de alimentare cu apă este înfundată; aceasta necesită curățare.	După efectuarea controalelor și a curățării, opriți și porniți mașina de spălat vase, iar apoi rulați un program nou.
Mașina de spălat vase termină ciclul prematur. Pe afișaj apare: 15 și LED-ul de PORNIRE/OPRIRE clipește rapid.	Furtunul de evacuare este poziționat prea jos sau evacuează în sistemul de canalizare local.	Verificați dacă furtunul de evacuare este așezat la înălțimea corectă (consultați secțiunea INSTALARE). Verificați dacă evacuarea are loc în sistemul de canalizare local, instalați supapa de admisie a aerului, dacă este necesar.
	Aer în rețeaua de alimentare cu apă.	Verificați alimentarea cu apă pentru a vă asigura că nu există scurgeri sau alte probleme care lasă aerul să pătrundă în interior.

Puteți găsi politicile, documentația standard, informațiile despre comandarea pieselor de schimb și informațiile suplimentare despre produs:

- Utilizarea codului QR de pe produsul dumneavoastră.
- Vizitând site-urile noastre web docs.whirlpool.eu/docs și parts-selfservice.europeanappliances.com
- Ca alternativă, **contactați serviciul nostru de asistență tehnică post-vânzare** (consultați numărul de telefon din certificatul de garanție). Când contactați serviciul nostru de asistență tehnică post-vânzare, vă rugăm să precizați codurile specificate pe plăcuța cu date de identificare a produsului dumneavoastră.

Informațiile modelului pot fi accesate folosind codul QR indicat pe eticheta energetică. Eticheta include, de asemenea, identificatorul de model care poate fi utilizat pentru a consulta portalul de înregistrare la <https://eprel.ec.europa.eu>.



400020009316

07/2024 jk - Xerox Fabriano



NÁVOD NA KAŽDODENNÉ POUŽITIE



ĎAKUJEME, ŽE STE SI KÚPILI VÝROBK WHIRLPOOL.
Ak chcete získať komplexnejšiu pomoc a podporu, zaregistrujte, prosím, svoj spotrebič na: www.whirlpool.eu/register

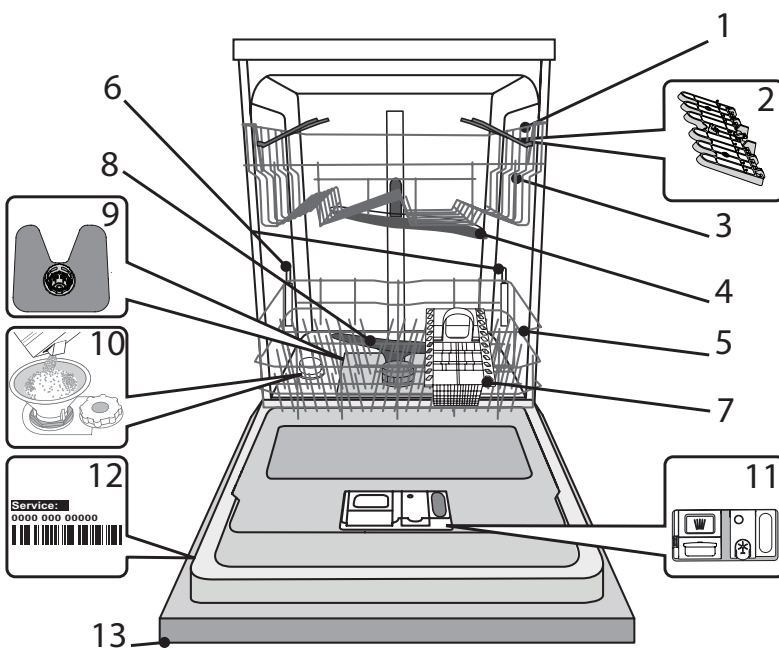
PRE ZÍSKANIE PODROBNEJŠÍCH INFORMÁCIÍ NASKENUJTE, PROSÍM, QR KÓD NA VAŠOM SPOTREBIČI.



Pred použitím spotrebiča si pozorne prečítajte Bezpečnostné pokyny.

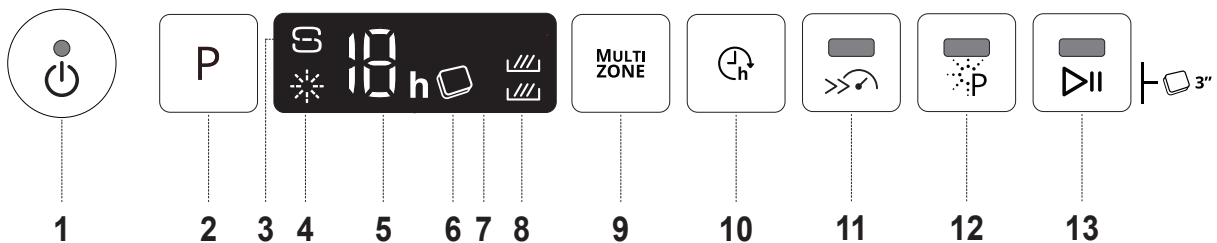
OPIS VÝROBKU

SPOTREBIČ



1. Vrchný kôš
2. Sklápacie klapky
3. Nastavovanie výšky vrchného koša
4. Horné umývacie rameno
5. Spodný kôš
6. Podpora Power Clean®
7. Košík na príbor
8. Spodné umývacie rameno
9. Zostava filtra
10. Zásobník soli
11. Dávkovač umývacieho prostriedku a leštidla
12. Výrobný štítok
13. Ovládací panel

OVLÁDACÍ PANEL



1. Kontrolka vypínača Zap.-Vyp./ Resetovanie
2. Tlačidlo na voľbu programu
3. Kontrolka Doplniť soľ
4. Kontrolka Doplniť leštadlo
5. Číslo programu a indikátor času oneskorenia
6. Kontrolka Tableta (Tab)
7. Displej
8. Kontrolka Multizone
9. Tlačidlo Multizone
10. Tlačidlo posunutia štartu
11. Tlačidlo Turbo s kontrolkou
12. Tlačidlo Power Clean® s kontrolkou
13. Tlačidlo Štart/Pauza s kontrolou/ Tableta (Tab)

PRVÉ POUŽITIE SOĽ, LEŠTIDLO A UMÝVACÍ PROSTRIEDOK

RADY PRI PRVOM POUŽITÍ

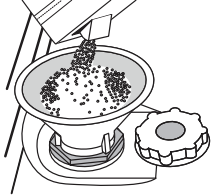
Po inštalovaní odstráňte zarážky na košoch a elastické oporné prvky z horného koša.

PLNENIE ZÁSObNÍKA SOLI

Používanie soli zabraňuje tvorbe vodného kameňa na riadoch a funkčných komponentoch umývačky.

- Je nevyhnutné, aby **ZÁSObNÍK SOLI NEBOL NIKDY PRÁZDNY**.
- Je dôležité nastaviť tvrdosť vody.

Zásobník soli sa nachádza v spodnej časti umývačky (pozri OPIS VÝROBKU), a musí byť naplnený, keď na ovládacom paneli svieti **indikátor DOPLNIŤ SOĽ**.



1. Vyberte spodný kôš a odskrutkujte uzáver zásobníka (proti smeru hodinových ručičiek).
2. **Vykonáva sa len prvýkrát: zásobník soli naplňte vodou.**
3. Nasadte násypku (pozri obrázok) a naplňte zásobník až po okraj (približne 1 kg); je bežné, že trochu vody vytečie.
4. Vyberte násypku a zvyšky soli na otvore utrite.

Dbajte, aby bol uzáver pevne zatiahnutý, aby sa počas umývacieho programu nedostal do zásobníka umývací prostriedok (mohlo by to nenapraviteľne poškodiť zmäkčovač vody).

Aby sa zabránilo korózii, vždy keď potrebujete pridať soľ, musíte dokončiť postup pred začiatkom umývacieho cyklu.

NASTAVENIE TVRDOSTI VODY

Aby mohol zmäkčovač dokonale pracovať, je dôležité, aby bola tvrdosť vody nastavená podľa skutočnej tvrdosti vody vo vašej domácnosti. Túto informáciu môžete získať od miestneho dodávateľa vody.

Vo výrobe je nastavená štandardná hodnota tvrdosti vody.

- Zapnite spotrebič stlačením tlačidla **ZAP./VYP.**
- Vypnite spotrebič stlačením tlačidla **ZAP./VYP.**
- Na 5 sekúnd podržte tlačidlo **P**, kým sa nezvze pípnutie.
- Zapnite spotrebič stlačením tlačidla **ZAP./VYP.**
- Bliká číslo aktuálnej zvolenej úrovne aj kontrolka soli.
- Stlačením tlačidla **P** zvolte požadovanú tvrdosť vody (pozri **TABUĽKA TVRDOSTI VODY**).

Tabuľka tvrdosti vody				
Úroveň		°dH Nemecké stupne	°fH Francúzske stupne	°Clark Anglické stupne
1	Mäkká	0 - 6	0 - 10	0 - 7
2	Stredná	7 - 11	11 - 20	8 - 14
3	Priemerná	12 - 16	21 - 29	15 - 20
4	Tvrdá	17 - 34	30 - 60	21 - 42
5	Veľmi tvrdá	35 - 50	61 - 90	43 - 62

- Vypnite spotrebič stlačením tlačidla **ZAP./VYP.**

Nastavenie je hotové!

Po skončení tohto postupu spustite program s prázdnu umývačkou.

Používajte iba soľ určenú špeciálne do umývačiek.

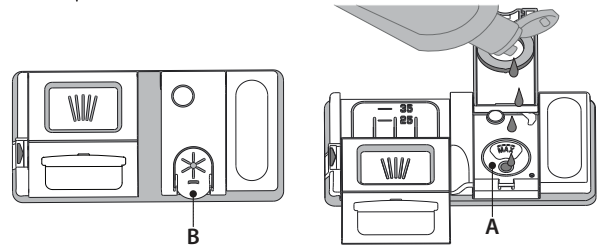
Keď do umývačky nasypete soľ, kontrolka **DOPLNIŤ SOĽ** zhasne.

Ak zásobník soli nenaplníte, zmäkčovač vody a ohrievacie teleso sa môžu poškodiť v dôsledku hromadenia vodného kameňa.

Použitie soli sa odporúča s akýmkoľvek typom umývacieho prostriedku do umývačky riadu.

PLNENIE DÁVKOVAČA LEŠTIDLA

Leštadlo uľahčuje **SUŠENIE** riadu. Dávkovač leštiaceho prostriedku **A** treba naplniť, keď na ovládacom paneli svieti **kontrolka DOPLNIŤ LEŠTIDLO**.



1. Otvorte dávkovač **B** stlačením a zdvihnutím držiaka na veko.
2. Opatrne nalejte leštadlo až po značku maximum (110 ml) v plniacom priestore – dbajte, aby ste ho nerozliali. Ak sa to stane, leštadlo ihneď utrite suchou handričkou.
3. Zatlačte veko, až počujete cvaknutie.

NIKDY nelejte leštadlo priamo do vaničky umývačky.

NASTAVENIE DÁVKOVANIA LEŠTIDLA

Ak nie ste celkom spokojní s výsledkom sušenia, môžete nastaviť množstvo použitého leštidla.

- Zapnite umývačku pomocou tlačidla **ZAP./VYP.**
- Vypnite ju pomocou tlačidla **ZAP./VYP.**
- Tri razy stlačte tlačidlo **P** – ozve sa pípnutie.
- Zapnite ju pomocou tlačidla **ZAP./VYP.**
- Bliká číslo zvolenej úrovne a kontrolka leštidla.
- Stlačením tlačidla **P** zvolíte úroveň množstva leštidla, ktoré sa má pridávať.
- Vypnite ju pomocou tlačidla **ZAP./VYP.**

Nastavenie je hotové!

Ak je úroveň leštidla nastavená na **NULA (EKO)**, nepridáva sa nijaké množstvo leštidla. Kontrolka **MÁLO LEŠTIDLA** sa nerozsvieti, ani keď sa leštadlo minie. V závislosti od modelu umývačky možno nastaviť maximálne 5 úrovní. Nastavenie z výroby je špecifické pre tento model, dodržujte vyššie uvedené postupy a skontrolujte ho na vašej umývačke.

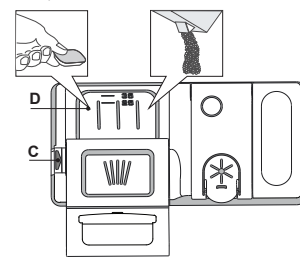
- Ak vidíte na riade modrasté pásiky, nastavte nízku hodnotu (1 – 2).
- Ak sú na riade kvapky vody alebo stopy po vodnom kameni, nastavte vysokú hodnotu (3 – 4).

PLNENIE DÁVKOVAČA UMÝVACIEHO PROSTRIEDKU

Dávkovač umývacieho prostriedku otvorte pomocou otváracieho zariadenia C.

Umývací prostriedok dávajte iba do suchého dávkovača D.

Umývací prostriedok na predumývanie dajte priamo do vaničky.



1. Pri odmeriavaní umývacieho prostriedku sa riadte uvedenými informáciami, aby ste pridali správne množstvo. Vnútri dávkovača **D** sa nachádzajú značky, ktoré pomôžu pri dávkovaní umývacieho prostriedku.
2. Odstráňte zvyšky umývacieho prostriedku z okrajov dávkovača a až potom veko zatvorte, až sa ozve cvaknutie.
3. Zatvorte veko dávkovača umývacieho prostriedku jeho nadvihnutím, až uzatváracie zariadenie zapadne na miesto.

Dávkovač umývacieho prostriedku sa automaticky otvorí v správnom čase podľa programu.

Ak používate umývací prostriedok typu „všetko v jednom“, odporúčame použiť tlačidlo **TABLETA**, pretože upraví program tak, aby sa vždy dosiahli najlepšie výsledky umývania a sušenia.

Ak používate čistiaci prostriedok, ktorý nie je určený na umývačky, môžete tým spôsobiť poruchu alebo poškodenie spotrebiča.

TABUĽKA PROGRAMOV

Program	Fáza sušenia	NaturalDry	Dostupné možnosti *)	Trvanie umývacieho programu (h:min)**)	Spotreba vody (litre/cykľus)	Spotreba energie (kWh/cykľus)	
1. Eko	ECO 50°	✓	✓		3:10	6,5	0,85
2. 6 th Sense®	50-60°	✓	✓	MULTI ZONE >>>	1:25 - 3:00	7,0 - 14,0	0,90 - 1,40
3. Intenzívne	65°	✓	✓	MULTI ZONE >>>	2:50	14,0	1,50
4. Rýchle umývanie a sušenie	50°	✓	✓	MULTI ZONE	1:25	11,5	1,10
5. Krištál'	45°	✓	✓	MULTI ZONE	1:40	11,5	1,20
6. Rýchle 30'	50°	-	-	MULTI ZONE	0:30	9,0	0,50
7. Tiché	50°	✓	✓		3:30	15,0	1,15
8. Dezinfekcia	65°	✓	-		1:40	10,0	1,30
9. Predumývanie	-	-	-	MULTI ZONE	0:12	4,5	0,01
10. Samočistenie	65°	-	-		1:35	14,0	1,15

Údaje z programu EKO sú namerané v laboratórnych podmienkach podľa európskej normy EN 60436:2020. Poznámka pre Skúšobné laboratóriá: O informácie o podmienkach vykonania komparatívnej skúšky EN môžete požiadať na adrese: dw_test_support@europeanappliances.com

Príprava riadu pred umývaním nie je potrebná pri nijakom programe.

*) Nie všetky možnosti možno použiť súčasne s inými.

**) Hodnoty uvedené pri iných programoch ako Eko sú iba orientačné. Skutočný čas sa môže líšiť v závislosti od mnohých faktorov, ako sú teplota a tlak privádzanej vody, teplota vmiestnosti, množstvo umývacieho prostriedku, množstvo a typ vloženého riadu, jeho rozloženie, ďalšie zvolené možnosti akalibrácia senzoru. Kalibrácia senzoru môže predĺžiť trvanie programu až o 20 minút.

OPIS PROGRAMOV

Pokyny pre výber umývacieho cyklu.

1 EKO

Program Eko je vhodný na umývanie bežne zašpineného kuchynského riadu, preto ide o najefektívnejší program na tento účel z hľadiska spotreby energie a vody, ktorý sa používa na stanovenie súladu s legislatívou Ecodesign v rámci EÚ.

2 6th SENSE®

Na normálne znečistený riad so zaschnutými zvyškami jedla. Sníma úroveň znečistenia riadu a podľa toho nastavuje program. Počas snímania úrovne znečistenia senzorom sa na displeji zobrazí animácia a aktualizuje sa dĺžka cyklu.

3 INTENZÍVNE

Tento program sa odporúča pri silne znečistenom riade, vhodný je najmä na umývanie panvíc a kastrolov (nepoužívajte ho na krehký riad).

4 RÝCHLE UMÝVANIE A SUŠENIE

Bežne zašpinený riad. Každodenný cyklus, ktorý zabezpečuje optimálny výsledok umývania a sušenia v kratšom čase.

5 KRIŠTÁL'

Program na krehké kusy riadu, ktoré sú citlivejšie na vysoké teploty, napríklad poháre a šálky.

6 RÝCHLE 30'

Program, ktorý sa používa pri polovičnom naplnení mierne zašpineným riadom bez zaschnutých zvyškov jedla. Nemá fázu sušenia.

7 TICHÉ

Vhodný na nočnú prevádzku spotrebiča. Zabezpečuje optimálne umývanie a sušenie s najnižšou hlučnosťou.

8 DEZINFEKCIA

Normálne až silne zašpinený riad – zahŕňa dodatočné antibakteriálne opláchnutie. Možno ho použiť na údržbu umývačky.

9 PREDUMÝVANIE

Na odmočenie riadu, ktorý sa bude umývať neskôr. Pri tomto programe sa nepoužíva umývací prostriedok.

10 SAMOČISTENIE

Program určený na údržbu umývačky sa musí spúšťať iba v PRÁZDNEJ umývačke s použitím špeciálnych prostriedkov určených na údržbu umývačky.

Poznámky:

Upozorňujeme, že cyklus Rýchle 30' je určený na mierne zašpinený riad.

MOŽNOSTI A FUNKCIE

MOŽNOSTI si môžete zvoliť priamo stlačením príslušného tlačidla (pozri OVLÁDACÍ PANEL).

Ak možnosť nie je kompatibilná so zvoleným programom pozri TABUĽKU PROGRAMOV, 3 razy rýchlo zabliká príslušná LED kontrolka a ozve sa pípanie. Možnosť sa neaktivuje.

MULTI ZONE MULTIZONE

Ak je potrebné umyť menej riadu, možno použiť polovičnú náplň, aby sa ušetrila voda, elektrina a umývací prostriedok. Zvoľte program a potom stlačte tlačidlo MULTIZONE: na displeji sa zobrazí symbol zvoleného koša.

V štandardnom nastavení umývačka umýva riad vo všetkých košoch.

Ak chcete vybrať iba konkrétny kôš, opakovane stlačte toto tlačidlo:



na displeji (iba spodný kôš)



na displeji (iba vrchný kôš)



na displeji (možnosť je vypnutá a umývačka bude umývať riad vo všetkých košoch).

Nezabudnite, že treba naplniť iba vrchný alebo iba spodný kôš a príslušne znížiť dávku umývacieho prostriedku.

Ak vyberiete horný kôš, naneste čistiaci prostriedok priamo do vaničky, nie do zásobníka.



POSUNUTIE ŠTARTU

Začiatok programu možno posunúť o 1 až 12 hodín.

1. Stlačte tlačidlo POSUNUTIE ŠTARTU. Na displeji sa zobrazí príslušný symbol „h“; po každom stlačení tlačidla sa čas (1 h, 2 h atď. až po max. 12 h) začiatku zvoleného cyklu umývania posunie.
2. Zvoľte umývací program, stlačte tlačidlo ŠTART/Pauza a do 4 sekúnd zatvorte dvierka. Časomer začne odpočítavanie.
3. Po uplynutí zvoleného času kontrolka „h“ zhasne a umývací program sa spustí.

Ak chcete upraviť čas posunutia štartu a vybrať kratší čas, stlačte tlačidlo POSUNUTIE ŠTARTU. Ak ho chcete zrušiť, opakovane stláčajte tlačidlo, kým kontrolka posunutého štartu „h“ nezhasne.

Po spustení programu už funkciu posunutia štartu nemožno nastaviť.



TURBO

Túto možnosť možno použiť na skrátenie trvania hlavného programu pri zachovaní rovnakého výsledku umývania a sušenia.

Po zvolení programu stlačte tlačidlo TURBO a rozsvieti sa kontrolka. Vybranú možnosť zrušíte opätovným stlačením toho istého tlačidla.



POWER CLEAN®

Vďaka prídavným výkonným dýzám táto funkcia umožňuje intenzívnejšie a účinnejšie umývanie v spodnom koši v špecificknej oblasti. Táto možnosť sa používa na umývanie hrncov a kastrolov. Stlačením tohto tlačidla aktivujete funkciu POWER CLEAN (rozsvieti sa kontrolka).

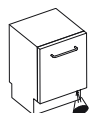


TABLETA (Tab)

Toto nastavenie umožňuje optimalizovať výkonnosť programu podľa použitého druhu umývacieho prostriedku.

Tlačidlo ŠTART/PAUZA stlačte na 3 sekundy (rozsvieti sa príslušný symbol), ak používate kombinovaný umývací prostriedok vo forme tablety (leštidlo, soľ a umývací prostriedok v 1 dávke).

Ak používate prášok alebo tekutý umývací prostriedok, táto možnosť má byť vypnutá.



INDIKÁTOR PREVÁDZKY

Svetlo kontrolky LED premietané na dlážku signalizuje, že umývačka pracuje. Možno zvoliť jeden z nasledujúcich pracovných režimov:

- a) Deaktivovaná funkcia.
- b) Na začiatku cyklu sa svetielko na pár sekúnd rozsvieti, počas cyklu je vypnuté a na konci cyklu bliká.
- c) Svetielko zostane počas cyklu rozsvietené a na konci cyklu bliká (predvolený režim).

Ak je nastavený odložený štart, svetielko svieti buď prvých pár sekúnd alebo počas celého odpočítavania, podľa toho, či je nastavený režim b) alebo c).

Zakaždým, keď sa otvoria dvierka, svetielko zhasne. Pre voľbu požadovaného režimu umývačku zapnite, podržte tlačidlo P, kým sa na displeji neukáže jedno z troch písmen, stláčajte tlačidlo P, kým nedosiahnete požadované písmeno (alebo režim), podržaním tlačidla P výber potvrdíte.

Poznámka: Ak je aktívny NaturalDry a otvorí dvie, kontrolka činnosti nebude na konci cyklu blikáť.

NaturalDry

NaturalDry je konvekčný systém sušenia, ktorý automaticky otvorí dvierka počas/po fáze sušenia, aby každý deň zaručil výnimočný výsledok sušenia. Dvierka sa otvárajú pri teplote, ktorá neohrozí váš kuchynský nábytok, preto sa neotvorí, ak je zvolená možnosť TURBO.

Ako doplnková ochrana pred parou bola k umývačke priložená špeciálne navrhnutá ochranná fólia. Spôsob nainštalovania ochrannej fólie nájdete v NÁVODE NA INŠTALÁCIU.

Funkciu *NaturalDry* môže používateľ vypnúť nasledovným spôsobom:

1. Otvorte ponuku softvéru umývačky stlačením a podržaním tlačidla P (6 sekúnd).
2. Nachádzate sa v ponuke Ovládanie osvetlenia (pozrite si opis INDIKÁTOR PREVÁDZKY). Ak nechcete nič zmeniť, stlačte a podržte tlačidlo P (kým sa na displeji neukáže jedno z dvoch písmen).
3. Prepli ste na ponuku Ovládanie *NaturalDry*, stlačením tlačidla P môžete zmeniť stav funkcie *NaturalDry*:

E – zapnuté **d** – vypnuté

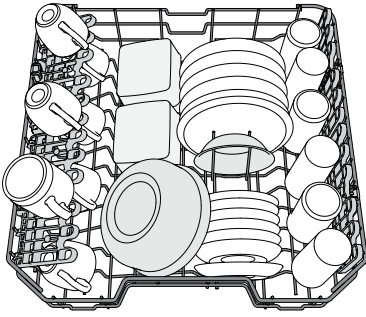
Potvrdte zmenu a zatvorte ponuku ovládania stlačením a podržaním tlačidla P (3 sekundy).

SYSTÉM RECYKLÁCIE VODY

Vďaka Eko programu vám táto umývačka umožňuje ušetriť až 3 litre vody. Ušetrená voda sa prefiltruje a uchová vo vyhradenej nádrži a znova sa použije pri nasledujúcom Eko programe. Ak sa Eko cyklus nepoužíva tri alebo viac dní, z hygienických dôvodov sa odporúča spustiť čistiaci cyklus umývačky. Možno na to použiť samočistiaci cyklus (pozri tabuľku programov).

UKLADANIE RIADU DO KOŠOV

VRCHNÝ KÔŠ



(príklad naplnenia vrchného koša)

Ukladajte doň krehké a ľahké nádoby: poháre, šálky, tanieriky, nízke šalátové misky.

NASTAVENIE VÝŠKY VRCHNÉHO KOŠA

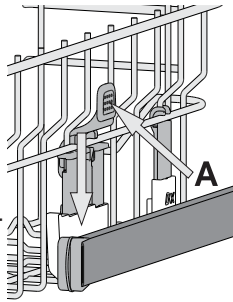
Výška vrchného koša je nastaviteľná: vysoká poloha umožňuje uložiť do spodného koša objemný riad a nízka poloha umožňuje čo najlepšie využiť opory proti prevráteniu vytvorením väčšieho miesta smerom nahor a vyhnúť sa tomu, aby riad narážal o veci v spodnom koši.

Vrchný koš je vybavený **nastavovačom výšky vrchného koša** (pozri obrázok), bez stláčania páčok ho jednoducho nadvihnete uchopením bočnic koša, len čo je koš v stabilnej hornej polohe.

Na vrátenie do spodnej polohy stlačte páčky **A** na bokoch koša a posuňte koš nadol.

V žiadnom prípade neodporúčame nastavovať výšku koša, keď je plný.

NIKDY nezdvíhajte ani nespúšťajte koš iba na jednej strane.



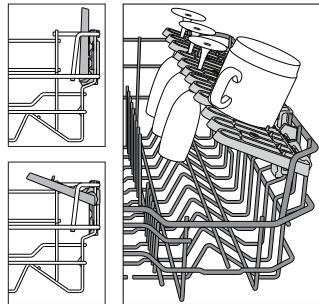
SKLÁPACIE KLAPKY S NASTAVITELNOU POLOHOU

Postranné sklopné opěrky lze sklopit nebo vyklopit za účelem lepšího uspořádání nádobí v koši.

Do sklopných opěrek je možno bezpečne umístit sklenice na víno, a to tak, že stopku každé z nich opěreme do příslušného vybrání.

Podle modelu:

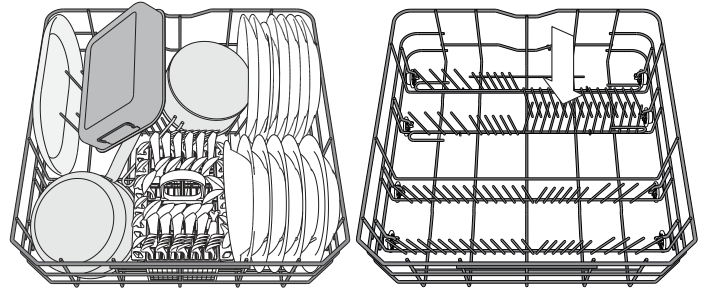
- vyklopení opěrek: je třeba je posunout nahoru a otočit jimi nebo je uvolnit z příchytek a zatáhnout směrem dolů;
- sklopení opěrek: je třeba jimi otočit a posunout je dolů, nebo je vytáhnout směrem nahoru a připnout do příchytek.



SPODNÝ KÔŠ

Na hrnce, pokrievky, taniere, šalátové misky, príbor a pod. Veľké taniere a pokrievky by mali byť uložené po bokoch, aby na ne ostrekovacie ramená nenarážali.

Spodný koš má opory proti prevráteniu, ktoré možno použiť v zvislej polohe pri ukladaní tanierov alebo v horizontálnej polohe (nižšie) pre ľahké uloženie panvíc a šalátových mís.



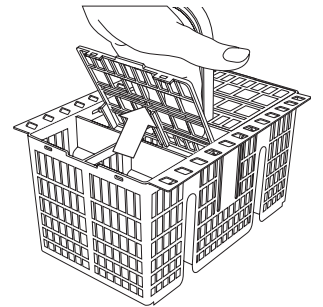
(príklad naplnenia spodného koša)

KOŠÍK NA PRÍBOR

Je vybavený hornou mriežkou na lepšie rozloženie príboru.

Musí byť uložený iba v prednej časti spodného koša.

Nože a ostatné kusy príboru s ostrými hrotmi treba uložiť do košíka na príbor hrotmi nadol, alebo musia byť uložené vodorovne v naklonených priehradkách na vrchom koši.



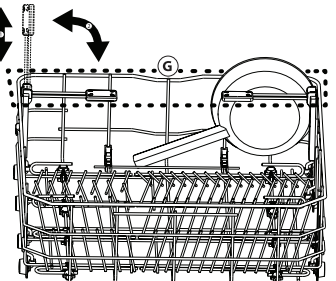
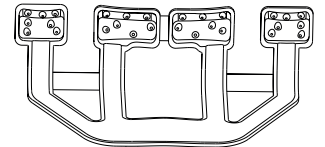
FUNKCIA POWER CLEAN® V SPODNOM KÔŠI

Funkcia Power Clean® využíva špeciálne vodné dýzy v zadnej časti priestoru na intenzívne umývanie veľmi špinavých nádob. Spodný koš má oddeľovaciu zónu, špeciálnu vyťahovaciu oporu v zadnej časti koša, ktorá môže slúžiť na podopretie panvíc alebo plechov na pečenie, aby boli v zvislej polohe a zabrali tak menej miesta.

Po umiestnení hrncov/kastrólov oproti komponentu Power Clean® aktivujte na ovládacom paneli **POWER CLEAN**.

Ako používať Power Clean®:

1. Upravte priestor Power Clean® (G) sklopením zadných držiakov tanierov, aby sa tam zmestili hrnce.
2. Vložte vertikálne naklonené hrnce a kastróly do oblasti Power Clean®. Hrnce musia byť naklonené smerom k vodným dýzám.



KAŽDODENNÉ POUŽÍVANIE

1. SKONTROLUJTE PRIPOJENIE K VODOVODU

Skontrolujte, či je spotrebič pripojený k vodovodnej sieti a či je otvorený vodovodný ventil.

2. ZAPNITE UMÝVAČKU

Otvorte dvierka a stlačte tlačidlo **ZAP./VYP.**

3. ULOŽTE RIAD DO KOŠOV

(pozri **UKLADANIE RIADU DO KOŠOV**)

4. PLNENIE DÁVKOVAČA UMÝVACIEHO PROSTRIEDKU

5. ZVOĽTE PROGRAM A UPRAVTE SI CYKLUS PODĽA ŽELANIA

Vyberte najvhodnejší program podľa typu nádob a stupňa zašpinenia (pozri **OPIS PROGRAMOV**) stlačením tlačidla **P**.

Vyberte želané možnosti (pozri **MOŽNOSTI A FUNKCIE**).

6. ŠTART

Stlačením tlačidla **ŠTART/Pauza** (LED svieti) a zatvorením dvierok do 4 sekúnd spustíte cyklus umývania. Program sa začne po jednom pípnutí. Ak dvierka nezatvoríte do 4 sekúnd, ozve sa výstražný signál. V takom prípade dvierka otvorte, stlačte tlačidlo **ŠTART/Pauza** a do 4 sekúnd dvierka znovu zatvorte.

7. UKONČENIE CYKLU UMÝVANIA

Na konci umývacieho cyklu sa ozvú pípania a na displeji bliká číslo umývacieho cyklu. Otvorte dvierka a vypnite spotrebič stlačením tlačidla **ZAP./VYP.**

Niekoľko minút počkajte, aby ste sa nepopálili, a potom nádoby vyberte. Vložte riad z košov, začnite od spodného.

Po dlhšej dobe nečinnosti sa spotrebič automaticky vypne, aby sa minimalizovala spotreba elektrickej energie. Ak je riad iba mierne znečistený, alebo bol pred vložením do umývačky opláchnutý vodou, primerane znížte množstvo umývacieho prostriedku.

ÚPRAVA BEŽIACEHO PROGRAMU

Ak ste zvolili nesprávny program, je možné ho zmeniť za predpokladu, že od jeho spustenia uplynula len krátka chvíľa: otvorte dvierka, stlačte a podržte tlačidlo **ZAP./VYP.** a spotrebič sa vypne.

Znova spotrebič zapnite pomocou tlačidla **ZAP./VYP.** a zvolte nový umývací cyklus a požadovanú možnosť; Stlačením tlačidla **ŠTART/Pauza** a zatvorením dvierok do 4 sekúnd spustíte cyklus umývania.

PRIDANIE ĎALŠIEHO RIADU

Bez vypnutia spotrebiča otvorte dvierka (LED kontrolka **ŠTART/Pauza** začne blikať) (**dajte pozor na HORÚCU paru!**) a vložte riad do umývačky. Stlačte tlačidlo **ŠTART/Pauza** a do 4 sekúnd zatvorte dvierka, cyklus bude pokračovať od bodu, v ktorom bol prerušený.

NÁHODNÉ PRERUŠENIA

Ak sa dvierka otvoria počas umývacieho cyklu alebo pri výpadku elektriny, cyklus sa zastaví. Stlačte tlačidlo **ŠTART/Pauza** a do 4 sekúnd zatvorte dvierka, cyklus bude pokračovať od bodu, v ktorom bol prerušený.

RADY A TIPY

TIPY

Pred naložením riadu do košov odstráňte všetky zvyšky jedla z nádob a vyprázdňte poháre. **Riad nemusíte vopred oplachovať pod tečúcou vodou.**

Uložte nádoby tak, aby sedeli pevne na mieste a neprevrátili sa; a uložte ich tak, aby boli otvorené nadol, a vypuklé časti, aby boli naklonené a voda sa tak mohla voľne dostať ku všetkým povrchom.

Pozor: veká, rúčky, podnosy a panvice na vysmážanie nesmú brániť otáčaniu ostrekovacích ramien.

Drobné veci ukladajte do košíka na príbor.

Veľmi špinavý riad a hrnce treba ukladať do spodného koša, lebo v tejto časti sú prúdy vody silnejšie a zvyšujú umývací výkon.

Po naplnení spotrebiča sa presvedčte, či sa ostrekovacie ramená môžu voľne otáčať.

NEVHODNÉ PREDMETY

- Drevené nádoby a príbor.
- Krehké zdobené poháre, umelecký ručne maľovaný a starožitný porcelán. Ich zdobenie nie je odolné.
- Časti z plastu, ktoré nie sú odolné voči vysokým teplotám.
- Medené a cínové nádoby.
- Riad zašpinený od popola, vosku, mazadiel alebo atramentu.

Farby ozdôb na skle a hliníkové/strieborné kusy sa môžu počas umývania meniť a vyblednúť. Niektoré typy skla (napr. krištáľové predmety) môžu po niekoľkých umytiach zmatnieť.

POŠKODENIE SKLA A PORCELÁNU

- Používajte iba sklo a porcelán, pri ktorých výrobca zaručuje, že ich možno bezpečne umývať v umývačke.
- Používajte jemný umývací prostriedok vhodný na porcelán
- Vytiahnite poháre a príbor z umývačky hneď po skončení umývacieho cyklu.

TIPY NA ÚSPORU ENERGIE

- Keď používate umývačku riadu do domácnosti v súlade s pokynmi výrobcu, **pri umývaní kuchynského riadu v umývačke sa spravídla spotrebuje MENEJ ENERGIE a vody ako pri ručnom umývaní riadu.**
- Na dosiahnutie maximálnej efektivity umývačky riadu sa odporúča **spustiť cyklus umývania až potom, čo bude kompletne naplnená.** Ak naložíte umývačku riadu až do kapacity uvedenej výrobcu, prispějete tým k úspore energie a vody. Informácie o správnom naložení riadu nájdete v kapitole s názvom **NAKLADANIE KOŠOV**. V prípade čiastočného naplnenia sa odporúča používať špecializované možnosti umývania (Polovičná náplň/Zónové umývanie/Multizónové umývanie), ak sú k dispozícii, a naplniť iba konkrétne koše. Pri nesprávnom alebo nadmernom naplnení sa môže zvýšiť spotreba umývačky (či už ide o spotrebu vody, energie, času alebo väčšiu mieru hluku), čo povedie k zníženiu výkonu pri umývaní a sušení.
- Manuálne predbežné oplachovanie kuchynského riadu má za následok zvýšenú spotrebu vody a energie, a preto sa neodporúča.

HYGIENA

Aby ste sa vyhli zápachu a usadeninám, ktoré sa môžu nahromadiť v umývačke, **aspoň raz do mesiaca spustíte program s vysokou teplotou.** Do prázdnej umývačky dajte čajovú lyžičku umývacieho prostriedku a pustite ju naprázdno, aby sa vyčistila.

STAROSTLIVOSŤ A ÚDRŽBA

ČISTENIE ZOSTAVY FILTRA

Zostavu filtra pravidelne čistite, aby sa filtre neupchali a odpadová voda mohla správne odtekať.

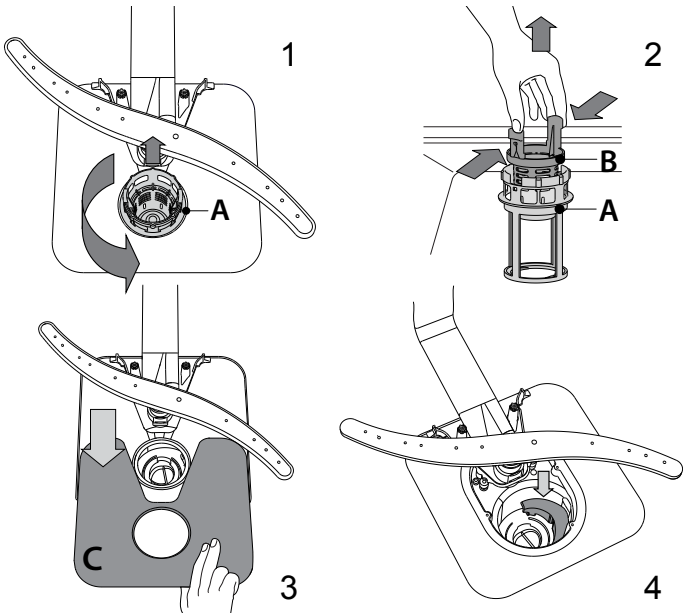
Ak používate umývačku riadu s upchatými filterami alebo s cudzími telesami vo filtračnom systéme či v ostrekovacích ramenách, môže to spôsobiť poruchu s následným zhoršením výkonu, nárastom hluku alebo zvýšením spotreby.

Zostava filtra pozostáva z troch filtrov, ktoré odstraňujú zvyšky jedla z umývačky a potom vodu recirkulujú.

Umývačku nesmiete používať bez filtrov, alebo ak je filter uvoľnený.

Aspoň raz mesačne alebo zakaždým po 30 cykloch skontrolujte zostavu filtra a v prípade potreby ju pomocou nekovovej kefky dôkladne vyčistite pod tečúcou vodou podľa nižšie uvedených pokynov:

1. Otočte valcovým filtrom **A** proti smeru hodinových ručičiek a vytiahnite ho (obr. 1).
2. Vytiahnite vrchný filter **B** jemným zatlačením na bočné klapky (obr. 2).
3. Vyberte plechový filter z nehrdzavejúcej ocele **C** (obr. 3).
4. V prípade, že nájdete cudzie telesá (napr. úlomky skla, porcelánu, kostí, ovocné semená a pod.), **opatrne ich vyberte**.
5. Skontrolujte sifón a odstráňte zvyšky jedla. **NIKDY NEVYBERAJTE ochranu čerpadla (čierny dielec)** (obr. 4).



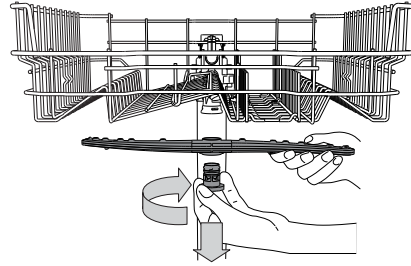
Po vyčistení filtrov zostavu filtrov vložte na miesto a zafixujte v správnej polohe; je to dôležité pre správnu činnosť umývačky.

ČISTENIE PRÍVODNEJ HADICE

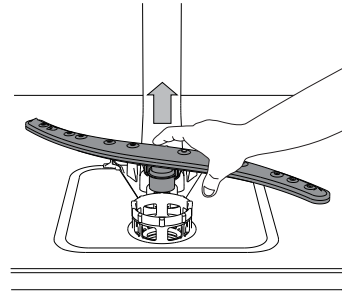
Ak sú hadice nové alebo sa dlhší čas nepoužívali, nechajte cez ne pretiecť vodu, aby ste sa ubezpečili, že sú priepustné a nenachádzajú sa v nich nečistoty, až potom ich pripojte. Ak tento krok vynecháte, prívod vody sa môže upchať a poškodiť umývačku.

ČISTENIE OSTREKOVACÍCH RAMIEN

Občas sa zvyšky jedla môžu zasušiť aj na ostrekovacích ramenách a zablokovať dierky, cez ktoré strieka voda. Preto sa odporúča občas ramená kontrolovať a čistiť ich malou nekovovou kefkou.



Ak chcete horné ostrekovacie rameno vybrať, otáčajte plastovým uzamykacím krúžkom proti smeru hodinových ručičiek. Vrchné rameno treba vymeniť tak, aby strana s väčším počtom dierok smerovala nahor.



Spodné ostrekovacie rameno možno vybrať potiahnutím nahor.

SYSTÉM NA ZMÄKČOVANIE VODY

Zmäkčovač vody automaticky znižuje tvrdosť vody, čím zároveň zabraňuje tvorbe vodného kameňa v ohrievači a prispieva k vyššej efektívnosti umývania.

Tento systém sa automaticky regeneruje pomocou soli, a preto je nutné pravidelne dopĺňať zásobník soli, keď bude prázdny.



Intervaly vykonávania regenerácie závisia od nastavenia tvrdosti vody – regenerácia sa vykonáva raz za **8** Eko cyklov, ak je tvrdosť vody nastavená na **3**.

Proces regenerácie sa začne počas záverečného oplachovania a skončí sa počas fázy sušenia ešte predtým, než sa skončí celý cyklus.

- Pri regenerácii sa spotrebuje: približne 3,5 litra vody;
- Pridá k cyklu dodatočných 5 minút;
- Spotrebuje sa pri nej 0,005 kWh energie.

URIEŠENIE PROBLÉMOV

Ak vaša umývačka riadnu nefunguje správne, zistíte, či problém nemožno vyriešiť po konzultácii s nasledujúcim zoznamom. V prípade ďalších chýb a problémov sa obráťte na autorizovaný popredajný servis, pričom kontaktné údaje nájdete v záručnej knižke. Výrobca zaručuje dostupnosť náhradných dielov ešte minimálne 10 rokov od dátumu výroby tohto spotrebiča.

PROBLÉMY	MOŽNÉ PRÍČINY	RIEŠENIA
 Kontrolka úrovne soli svieti	Zásobník soli je prázdny. (Po doplnení soli môže kontrolka svietiť ešte niekoľko cyklov umývania).	Doplňte do zásobníka solí (ďalšie informácie nájdete na strane 2). Nastavte tvrdosť vody – pozrite si tabuľku na strane 2.
 Kontrolka úrovne leštidla svieti	Zásobník na leštadlo je prázdny. (Po doplnení leštidla môže kontrolka svietiť ešte niekoľko cyklov umývania).	Doplňte do zásobníka leštadlo (ďalšie informácie nájdete na strane 2).
Umývačka sa nespúšťa a nereaguje na príkazy.	Spotrebič nie je riadne pripojený do elektrickej zásuvky.	Zastrčte zástrčku do zásuvky.
	Výpadok prúdu.	Z bezpečnostných dôvodov sa umývačka riadu automaticky nereštartuje po obnovení napájania. Otvorte dvierka umývačky, stlačte tlačidlo ŠTART/Pauza a zatvorte dvierka do 4 sekúnd.
	Dvierka umývačky nie sú zatvorené. Kolík NaturalDry nie je vtiahnutý.	Energicky dvierka zatlačte tak, aby ste počuli "cvaknutie".
	Po otvorení dverí na viac ako 4 sekundy sa cyklus preruší.	Stlačte ŠTART/Pauza do 4 sekúnd a zatvorte dvie.
Z umývačky neodtiekla voda. Zobrazenie na displeji: 3 a LED dióda ZAP./VYP. rýchlo bliká.	Umývací cyklus sa ešte neskočil.	Počkajte, kým sa umývací cyklus neskončí.
	Odtoková hadica je ohnutá.	Skontrolujte, či odtoková hadica nie je ohnutá (pozri NÁVOD NA INŠTALÁCIU).
	Odtokové potrubie drezu je upchaté.	Vyčistite odtokové potrubie drezu.
	Filter je upchatý zvyškami jedla	Vyčistite filter (pozri ČISTENIE ZOSTAVY FILTRA).
Umývačka vydáva nadmerný hluk.	Nádoby o seba hrkocú.	Uložte nádoby správne (pozri UKLADANIE RIADU DO KOŠOV).
	Tvorí sa nadmerné množstvo peny.	Umývací prostriedok nebol dávkovaný správne alebo nie je vhodný do umývačiek riadu (pozri PLNENIE DÁVKOVAČA UMÝVACIEHO PROSTRIEDKU). Vypnutím umývačky reštartujte aktuálny cyklus a následne ju znova zapnite, zvolte nový program, stlačte tlačidlo ŠTART/Pauza a zatvorte dvierka do 4 sekúnd. Nepridávajte čistiaci prostriedok.
Riad nie je čistý.	Riad nebol správne uložený.	Uložte nádoby správne (pozri UKLADANIE RIADU DO KOŠOV).
	Ostrekovacie ramená sa nemôžu voľne točiť, bránia im v tom kusy riadu.	Uložte nádoby správne (pozri UKLADANIE RIADU DO KOŠOV).
	Umývací cyklus je príliš jemný.	Vyberte príslušný umývací cyklus (pozri TABUĽKU PROGRAMOV).
	Tvorí sa nadmerné množstvo peny.	Umývací prostriedok nebol dávkovaný správne alebo nie je vhodný do umývačiek riadu (pozri PLNENIE DÁVKOVAČA UMÝVACIEHO PROSTRIEDKU).
	Veko priehradky na leštadlo nebolo správne uzavreté.	Presvedčte sa, či je veko dávkovača leštidla uzavreté.
	Filter je špinavý alebo upchatý.	Vyčistite zostavu filtrov (pozri STAROSTLIVOSŤ A ÚDRŽBA).
Umývačka sa neplní vodou. Zobrazenie na displeji: H , 6 a LED dióda ZAP./VYP. rýchlo bliká.	Chýba soľ.	Naplňte zásobník soli (pozri PLNENIE ZÁSOBNÍKA SOLI).
	V prívode nie je voda alebo je uzavretý ventil.	Presvedčte sa, či je v prívode voda a či tečie voda z kohútika.
	Prívodná hadica je ohnutá.	Presvedčte sa, či prívodná hadica nie je ohnutá (pozri kapitolu INŠTALÁCIA), znova umývačku naprogramujte a spustite.
Umývačka riadu predčasne dokončí cyklus. Zobrazenie na displeji: 15 a LED dióda ZAP./VYP. rýchlo bliká.	Sítko v prívodnej hadici na vodu je upchaté; je potrebné ho vyčistiť.	Po overení a vyčistení vypnite a zapnite umývačku a reštartujte nový program.
	Odtoková hadica je umiestnená príliš nízko alebo voda odteká do domáceho odpadového systému.	Skontrolujte, či je koniec odtokovej hadice umiestnený v správnej výške (pozri kapitolu INŠTALÁCIA). Skontrolujte, či voda odteká do domáceho odpadového systému a v prípade potreby nainštalujte ventil na prívod vzduchu.
	V prívode vody je vzduch.	Skontrolujte, či prívod vody neprepúšťa alebo či dovnútra nevniká vzduch z iných dôvodov.

Firemné zásady, štandardnú dokumentáciu, objednávanie náhradných dielov a ďalšie informácie o produkte nájdete na:

- Použitie QR kódu na produkte.
- Našej webovej stránke docs.whirlpool.eu/docs a parts-selfservice.europeanappliances.com.
- Prípadne sa obráťte na náš popredajný servis (Telefónne číslo nájdete v záručnej knižke). Pri kontaktovaní nášho popredajného servisu uveďte, prosím, kódy z výrobného štítku vášho spotrebiča.

Informácie o modele získate cez QR kód na energetickom štítku. Na štítku tiež nájdete identifikačné číslo modelu, ktoré môžete použiť na vyhľadávanie v registri na portáli <https://eprel.ec.europa.eu>.



400020009316

07/2024 jk - Xerox Fabriano

