

AKR 808 UK BK

12NC: 857953915000

GTIN (EAN) code: 8003437205903

Whirlpool

SENSING THE DIFFERENCE



Whirlpool wall mounted cooker hood - AKR 808 UK BK

This Whirlpool wall mounted Cooker Hood features: black color. Dishwasher-safe, washable aluminium grease filters. LED lights for ideal lighting. An outstanding cooker extractor fan, ensuring a fresh, grease-free cooking environment. Between 60cm and 90cm wide appliance.

LED lighting

Increased energy and cost efficiency. The LED lighting system lasts 10 times longer than traditional bulbs and uses 90% less energy.

Electronic control

Effortless control. This Whirlpool Hood includes an intuitive electronic user interface, designed to provide you with the simplest, most satisfying user experience ever.

6th Sense Absolute

Easy interaction approach thanks to the intuitive icons on the UI.

4 Speeds

Versatile performance. This Whirlpool Hood offers 4 speed options, giving you complete control over the extraction rate.

Attractive Design

Visitors and your family alike will love the attractive design of this hood, which you can match with other Whirlpool Built-In kitchen appliances.

Total annual energy consumption

Ideal performance, outstanding savings. Whirlpool Hoods are designed to provide exceptional results, while reducing energy costs.

Flexible Installation

Flexible installation options. This Whirlpool Hood can be operated in either Ducted or Recirculated mode (filter needed), so you can enjoy complete freedom when designing your kitchen.

Grease Filter

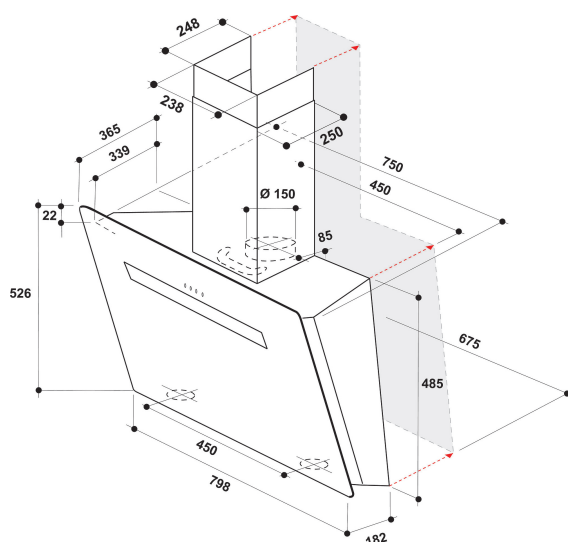
Odour-free cooking. This Whirlpool Hood features an efficient grease filter, that protects your kitchen surfaces and ensures pleasant, odour-free cooking.

Touch control user interface

Intuitive controls. The stylish touch-control user interface provides simple, immediate access to all of your hood's settings and functions.

Booster

Odour-free cooking. This Whirlpool Hood features an extraction booster, that ensures ideal air filtration and odour and grease aspiration.



- Maximum noise level 62 dBA
- Noise Level (min. - max.): 53-62 dBA
- Air Flow (min. - max.): 416, 603, booster 779 m³/h
- Maximum extraction rate: 603 (m³/h)
- Energy class A+
- Extraction / Recirculation Rate
%Z_REQ_MAX_OUT_EXTRACTION% / 490 m³/h
- Speeds: 4 + Booster
- 2 LED, 5 W lamps
- 1 x 310 W motor
- Perimetral aspiration
- Electronic Touch control
- 1 Washable aluminium filter
- Grease Filtering Efficiency Class: D
- Lighting Efficiency Class: A
- Fluid Dynamic Efficiency Class: A
- Filter Saturation Indicator

AKR 808 UK BK

12NC: 857953915000

GTIN (EAN) code: 8003437205903

Whirlpool

SENSING THE DIFFERENCE

MAIN FEATURES

Product group	Hood
Colour body	Black
Material body	Stainless steel / glass
Colour chimney	Black
Material chimney	Metal
Typology	Wall-mounted
Installation type	Wall-mounted
Type of control	Electronic
Type of control settings	-
Decor panel options	N/A
Motor location	Integrated motor in hood body
Operating Mode	Convertible
Electrical connection rating (W)	408
Current (A)	1,7
Voltage (V)	220-240
Frequency (Hz)	50
Length of Electrical Supply Cord (cm)	150
Plug type	No
Chimney height (mm)	560
Height of product, without chimney (mm)	485
Height of the product	1045
Width of the product	798
Depth of the product	369
Minimum niche height	0
Minimum niche width	0
Niche depth	0
Net weight (kg)	23

TECHNICAL FEATURES

Type of manual control devices	Touch control
Type of automatic control devices	-
Number of motors	1
Total power of the motors (W)	310
Number of speed settings: boost option availability	4
Boost presence	Yes
Maximum output air extraction (m ³ /h)	779
Boost position air extraction (m ³ /h)	779
Maximum output recirculating air (m ³ /h)	490
Boost position output recirculating (m ³ /h)	511
Light Control Type	On/Off
Number of lights	2
Type of lamps used	LED
Total power of the lamps (W)	5
Diameter of air outlet (mm)	150
No-return airflow flap	Yes
Grease filter material	Washable aluminium
Odour filter	No

PERFORMANCES

Sound power at min. speed (2010/30/EU)	53
Sound power at max. speed (2010/30/EU)	62
Noise level with boost position (dB(A) re 1 pW)	0

ENERGY label for WHIRLPOOL AKR 808 UK BK. The label features the European Union energy efficiency scale from A+++ (green) to D (red). The product is rated A+ (black arrow). The energy consumption is 41.8 kWh/annum. The sound power level is 62 dB. The label also includes icons for fan speed (ABCDEF), lighting (ABCDEF), water filtration (ABCDEF), and a 62 dB sound level icon. The label is dated 65/2014.