

# AKM 613/IX/01

12NC: 859990964190

GTIN (EAN) code: 8003437343346

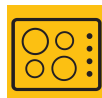
Whirlpool

SENSING THE DIFFERENCE



## Whirlpool hob - AKM 613/IX/01

This Whirlpool Hob features: electric power supply.



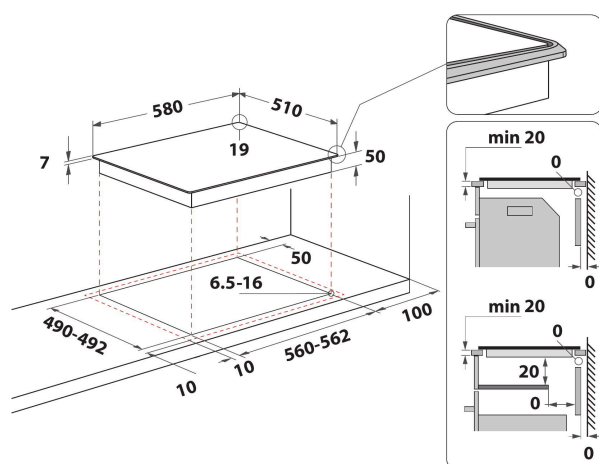
### Lateral Controls

Practical design. Modern, beautiful and practical: the lateral controls of this Whirlpool Hob are designed to add an extra touch of style to your kitchen.



### Radiant lateral control

This Whirlpool Hob features Radiant lateral flame controls, ensuring both ease of use and outstanding design.



- Lateral controls
- 60 cm hob
- Mechanical control
- Black Glass Hob
- 4 Radiant cooking zones
- 1 Plate on Indicator
- Power on indicator
- Supply cord included
- 4 Cooking zones: 1 Radiant 1200 W, 1 Radiant 1700 W, 1 Radiant 1200 W, and 1 Radiant 1700 W
- Dimensions HxWxD: 50x580x510 mm
- Niche dimensions HxWxD: 40x560x490 mm
- Electrical Connection Rating: 5800 W
- Voltage: 220-240/380-415 V
- Front left zone: 145 mm  $\varnothing$ , 1200 W
- Rear left zone: 180 mm  $\varnothing$ , 1700 W
- Rear right zone: 145 mm  $\varnothing$ , 1200 W

# AKM 613/IX/01

12NC: 859990964190

GTIN (EAN) code: 8003437343346

**Whirlpool**

SENSING THE DIFFERENCE

## MAIN FEATURES

Product group	Hob
Construction type	Built-in
Type of control	Mechanical
Type of control settings	-
Number of gas burners	0
Number of electric cooking zones	4
Number of electric plates	0
Number of radiant plates	4
Number of halogen plates	0
Number of induction plates	0
Number of electric warming zones	0
Location of control panel	Lateral
Basic surface material	Glass
Main colour of product	Black
Electrical connection rating (W)	5800
Gas connection rating (W)	0
Gas type	N/A
Current (A)	25,2
Voltage (V)	220-240/380-415
Frequency (Hz)	50/60
Length of Electrical Supply Cord (cm)	120
Plug type	No
Gas connection	N/A
Width of the product	580
Height of the product	50
Depth of the product	510
Minimum niche height	40
Minimum niche width	560
Niche depth	490
Net weight (kg)	8
Automatic programmes	No

## TECHNICAL FEATURES

Power on indicator	Yes
Number of indicators	1
Type of regulation	Stepless energy regulated
Type of lid	Without
Residual heat indicator	Without
Main on/off switch	No
Safety device	-
Timer	No

## PERFORMANCES

Energy input	Electric
--------------	----------