

# DAILY REFERENCE GUIDE



**THANK YOU FOR BUYING A WHIRLPOOL PRODUCT.**  
In order to receive a more complete assistance, please register your appliance on: [www.whirlpool.eu/register](http://www.whirlpool.eu/register)

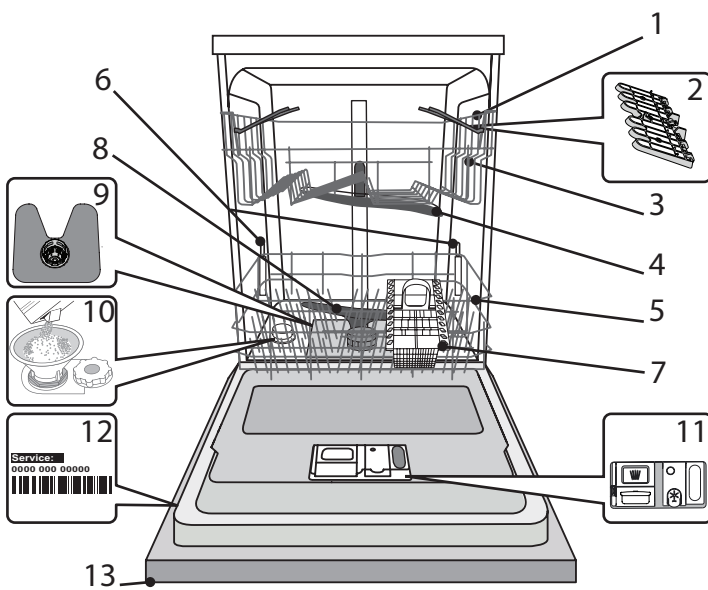


You can download the Safety Instructions and the User Manual, by visiting our website [docs.whirlpool.eu/docs](http://docs.whirlpool.eu/docs) and following the Instructions on the back of this booklet.

**Before using the appliance carefully read Safety Instructions guide.**

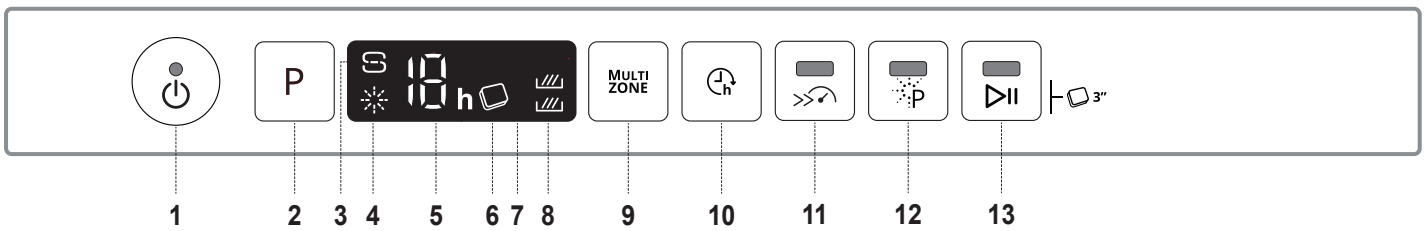
## PRODUCT DESCRIPTION

### APPLIANCE



1. Upper rack
2. Foldable flaps
3. Upper rack height adjuster
4. Upper spray arm
5. Lower rack
6. Power Clean® support
7. Cutlery basket
8. Lower spray arm
9. Filter Assembly
10. Salt reservoir
11. Detergent and Rinse Aid dispensers
12. Rating plate
13. Control panel

### CONTROL PANEL



1. ON-OFF/Reset button with indicator light
2. Program selection button
3. Salt refill indicator light
4. Rinse Aid refill indicator light
5. Program number and delay time indicator
6. Tablet indicator light
7. Display
8. Multizone indicator lights
9. Multizone button
10. Delay button
11. Turbo button with indicator light
12. Power Clean® button with indicator light
13. START/Pause button with indicator light / Tab

# FIRST TIME USE

## SALT, RINSE AID AND DETERGENT


### ADVICE REGARDING THE FIRST TIME USE

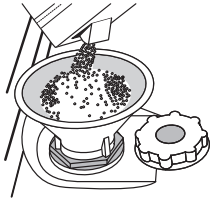
After installation, remove the stoppers from the racks and the retaining elastic elements from the upper rack.

### FILLING THE SALT RESERVOIR

The use of salt prevents the formation of LIMESCALE on the dishes and on the machine's functional components.

- It is mandatory that **THE SALT RESERVOIR NEVER BE EMPTY.**
- It is important to set the water hardness.

The salt reservoir is located in the lower part of the dishwasher (see *PRODUCT DESCRIPTION*) and must be filled when the **SALT REFILL indicator light**  in the control panel is lit.



1. Remove the lower rack and unscrew the reservoir cap (anticlockwise).
2. **Only the first time you do this: fill the salt reservoir with water.**
3. Position the funnel (see figure) and fill the salt reservoir right up to its edge (approximately 1 kg); it is not unusual for a little water to leak out.
4. Remove the funnel and wipe any salt residue away from the opening.

Make sure the cap is screwed on tightly, so that no detergent can get into the container during the wash program (this could damage the water softener beyond repair).

**Whenever you need to add salt, it is mandatory to complete the procedure before the beginning of the washing cycle to avoid corrosion.**

### SETTING THE WATER HARDNESS

To allow the water softener to work in a perfect way, it is essential that the water hardness setting is based on the actual water hardness in your house. This information can be obtained from your local water supplier.

The factory sets the default value for the water hardness.

- Switch on the appliance by pressing the **ON/OFF** button.
- Switch off the appliance by pressing the **ON/OFF** button.
- Hold down button **P** for 5 seconds, until you hear a beep.
- Switch on the appliance by pressing the **ON/OFF** button.
- The current selection level number and the salt indicator light both flash.
- Press button **P** to select the desired hardness level (see *WATER HARDNESS TABLE*).

Water Hardness Table				
Level		°dH German degrees	°fH French degrees	°Clark English degrees
1	Soft	0 - 6	0 - 10	0 - 7
2	Medium	7 - 11	11 - 20	8 - 14
3	Average	12 - 16	21 - 29	15 - 20
4	Hard	17 - 34	30 - 60	21 - 42
5	Very hard	35 - 50	61 - 90	43 - 62

- Switch off the appliance by pressing the **ON/OFF** button.

Setting is complete!

As soon as this procedure is complete, run a program without loading.


**Only use salt that has been specifically designed for dishwashers.**

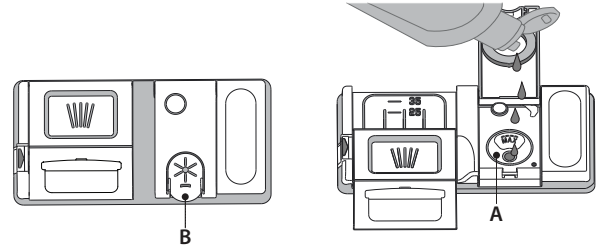
After the salt has been poured into the machine, the SALT REFILL indicator light switches off.

**If the salt container is not filled, the water softener and the heating element may be damaged as a result of limescale accumulation.**

**Using of Salt is recommended with any type of dishwasher detergent.**

### FILLING THE RINSE AID DISPENSER

Rinse aid makes dish DRYING easier. The rinse aid dispenser **A** should be filled when the **RINSE AID REFILL indicator light**  in the control panel is lit.



1. Open the dispenser **B** by pressing and pulling up the tab on the lid.
  2. Pour in the rinse aid (max.110 ml), making sure it does not overflow from the dispenser. If this happens, clean the spill immediately with a dry cloth.
  3. Press the lid down until you hear a click to close it.
- NEVER pour the rinse aid directly into the appliance tub.**

### ADJUSTING THE DOSAGE OF RINSE AID

If you are not completely satisfied with the drying results, you can adjust the quantity of rinse aid used.

- Switch the dishwasher on using the **ON/OFF** button.
- Switch it off using the **ON/OFF** button.
- Press button **P** three times - a beep will be heard.
- Switch it on using the **ON/OFF** button.
- The current selection level number and rinse aid indicator light flash.
- Press button **P** to select the level of rinse aid quantity to be supplied.
- Switch it off using the **ON/OFF** button

Setting is complete!

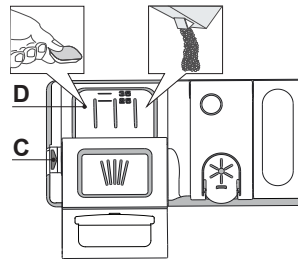
If the rinse aid level is set to ZERO (ECO), no rinse aid will be supplied. The LOW RINSE AID indicator light will not be lit if you run out of rinse aid.

A maximum of 5 levels can be set according to the dishwasher model. The factory setting is specific to the model, please follow instruction above to check this for your machine.

- If you see bluish streaks on the dishes, set a low number (1-2).
- If there are drops of water or limescale marks on the dishes, set a mid-range number (3-4).

### FILLING THE DETERGENT DISPENSER

**To open the detergent dispenser use the opening device C. Introduce the detergent into the dry dispenser D only. Place the amount of detergent for pre-washing directly inside the tub.**



1. When measuring out the detergent refer to the mentioned earlier information to add the proper quantity. Inside the dispenser **D** there are indications to help the detergent dosing.
2. Remove detergent residues from the edges of the dispenser and close the cover until it clicks.
3. Close the lid of the detergent dispenser by pulling it up until the closing device is secured in place.

The detergent dispenser automatically opens up at the right time according to the program.

If all-in-one detergents are used, we recommend using the **TABLET** button, because it adjusts the program so that the best washing and drying results are always achieved.

**Usage of detergent not designed for dishwashers may cause malfunction or damage to the appliance.**

# PROGRAMS TABLE

Program	Drying phase	NaturalDry	Available options <sup>*)</sup>	Duration of wash program (h:min) <sup>**)</sup>	Water consumption (litres/cycle)	Energy consumption (kWh/cycle)	
1. Eco	ECO 50°	✓	✓		3:10	9.5	0.85
2. 6 <sup>th</sup> Sense®	50-60°	✓	✓		1:25 - 3:00	7.0 - 14.0	0.90 - 1.40
3. Intensive	65°	✓	✓		2:50	14.0	1.50
4. Fast Wash&Dry	50°	✓	✓		1:25	11.5	1.10
5. Crystals	45°	✓	✓		1:40	11.5	1.20
6. Rapid 30'	50°	-	-		0:30	9.0	0.50
7. Silent	50°	✓	✓		3:30	15.0	1.15
8. Prewash	-	-	-		0:12	4.5	0.01

ECO program data is measured under laboratory conditions according to European Standard EN 60436:2020.

Note for Test Laboratories:

For information on comparative EN testing conditions, please send an email to the following address: [dw\\_test\\_support@europeanappliances.com](mailto:dw_test_support@europeanappliances.com)

Pre-treatment of the dishes is not needed before any of the programs.

\*) Not all options can be used simultaneously.

\*\*\*) Values given for programs other than the program Eco are indicative only. The actual time may vary depending on many factors such as temperature and pressure of the incoming water, room temperature, amount of detergent, quantity and type of load, load balancing, additional selected options and sensor calibration. The sensor calibration can increase program duration up to 20 min.

## PROGRAMS DESCRIPTION

### Instructions on wash cycle selection.

#### 1 ECO

Eco programme is suitable to clean normally soiled tableware, that for this use, it is the most efficient programme in terms of its combined energy and water consumption, and that it is used to assess compliance with the EU Ecodesign legislation.

#### 2 6<sup>th</sup> SENSE®

For normally soiled dishes with dried food residues. Senses the level of soiling on the dishes and adjusts the program accordingly. When the sensor is detecting the soil level an animation appears in the display and the cycle duration is updated.

#### 3 INTENSIVE

Program recommended for heavily soiled crockery, especially suitable for pans and saucepans (not to be used for delicate items).

#### 4 FAST WASH&DRY

Normally soiled crockery. Everyday cycle, that ensures optimal cleaning and drying performance in shorter time.

#### 5 CRYSTALS

Program for delicate items, which are more sensitive to high temperatures, for example glasses and cups.

#### 6 RAPID 30'

Program to be used for half load of lightly-soiled dishes with no dried food residues. Does not include drying phase.

#### 7 SILENT

Suitable for night-time operation of the appliance. Ensures optimal cleaning and drying performance with the lowest noise emission.

#### 8 PREWASH

Use to refresh crockery planned to be washed later. No detergent to be used with this program.

#### Notes:

Please note that cycle *Rapid 30'* is dedicated for lightly soiled dishes.

# OPTIONS AND FUNCTIONS

OPTIONS can be selected directly by pressing the corresponding button (see *CONTROL PANEL*).

**If an option is not compatible with the selected program see *PROGRAMS TABLE*, the corresponding LED flashes rapidly 3 times and beeps will sound. The option will not be enabled.**

## MULTI ZONE MULTIZONE

If there are not many dishes to be washed, a half loading may be used in order to save water, electricity and detergent. Select the program and then press the MULTIZONE button: the symbol of the chosen rack will appear on the display. By default the appliance washes dishes in all racks.



To wash only the specific rack, press this button repeatedly: shown on the display (only lower rack)



shown on the display (only upper rack)



shown on the display (option is OFF and the appliance will wash dishes in all racks).

**Remember to load the upper or lower rack only, and to reduce the amount of detergent accordingly. If upper rack is removed, please apply detergent directly to tub instead of detergent dispenser.**



## DELAY

The start time of the program may be delayed for a period of time between **1** and **12** hours.

1. Press the DELAY button: the corresponding «h» symbol appears on the display; each time you press the button, the time (1h, 2h, etc. up to max. 12h) from the start of the selected wash cycle will be increased.
2. Select the wash program, press the START/PAUSE button and within 4 seconds close the door: the timer will begin counting down.
3. Once this time has elapsed, the indicator light «h» switches off and the wash cycle begins.

To adjust the delay time and select a shorter period of time, press the DELAY button. To cancel it, press the button repeatedly until the selected delayed start indicator light «h» switches off.

**The DELAY function cannot be set once a wash cycle has been started.**



## TURBO

This option can be used to reduce the duration of the main programs while maintaining the same washing and drying performance levels.

After selecting the program, press the TURBO button and the indicator light will switch on. To deselect the option, press the same button again.



## POWER CLEAN®

Thanks to the additional power jets this option provides a more intensive and powerful wash in the lower rack, in the specific area. This option is recommended for washing pots and casseroles. Press this button to activate POWER CLEAN (the indicator lights up).



## TABLET (Tab)

This setting allows you to optimize the performance of the program according to the type of detergent used. Press the START/PAUSE button for 3 seconds (the corresponding symbol will light up) if you use combined detergents in tablet form (rinse aid, salt and detergent in 1 dose).

**If you use powder or liquid detergent, this option should be off.**

## NaturalDry

NaturalDry is a convection drying system which automatically opens the door during/after drying phase to ensure exceptional drying performance every day. Door opens at the temperature that is safe to your kitchen furniture, thus door will not be opened when the option of TURBO is on.

As additional steam protection, special designed protection foil is added together with the dishwasher. To see how to mount protection foil please refer to (*INSTALLATION GUIDE*).

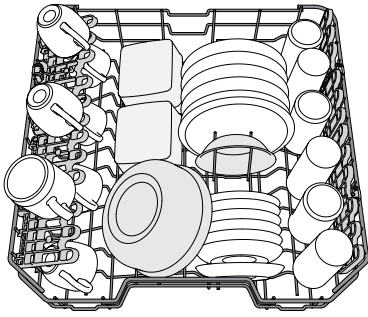
NaturalDry functionality could be disabled by the user as follows:

1. Go to the Dishwasher software menu pressing and holding **P** button (6 sec).
2. You switched to NaturalDry Control Menu, you could change status of NaturalDry functionality by pressing **P** button:  
**E** – enabled    **d** – disabled

To confirm the change and exit from the Control Menu please press and hold **P** button (3 sec).

# LOADING THE RACKS

## UPPER RACK



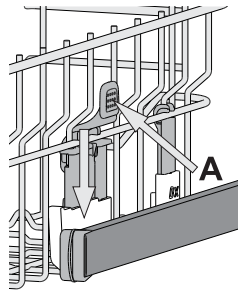
(loading example for the upper rack)

Load delicate and light dishes: glasses, cups, saucers, low salad bowls.

## ADJUSTING THE HEIGHT OF THE UPPER RACK

The height of the upper rack can be adjusted: high position to place bulky crockery in the lower basket and low position to make the most of the tip-up supports by creating more space upwards and avoid collision with the items loaded into lower rack.

The upper rack is equipped with a **Upper Rack height adjuster** (see figure), without pressing the levers, lift it up by simply holding the rack sides, as soon as the rack is stable in its upper position. To restore to the lower position, press the levers **A** at the sides of the rack and move the basket downwards.



**We strongly recommend that you do not adjust the height of the rack when it is loaded.**

**NEVER raise or lower the basket on one side only.**

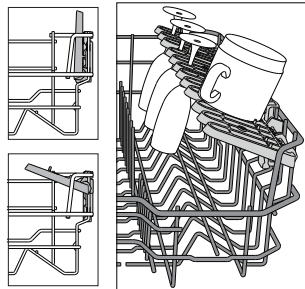
## FOLDABLE FLAPS WITH ADJUSTABLE POSITION

The side foldable flaps can be fold or unfold to optimize the arrangement of crockery inside the rack.

Wine glasses can be placed safely in the foldable flaps by inserting the stem of each glass into the corresponding slots.

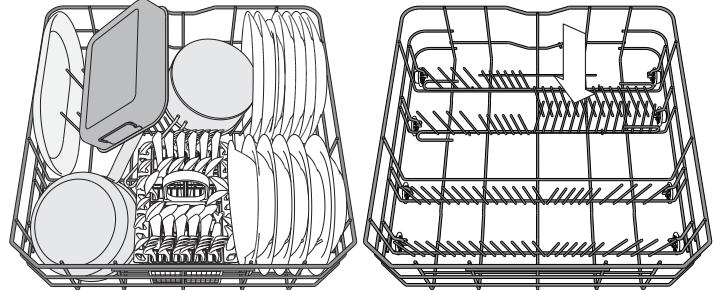
Depending on the model:

- to unfold the flaps there is needed to slide it up and rotate or release it from the snaps and pull it down.
- to fold the flaps there is needed to rotate it and slide flaps down or pull it up and attach flaps to the snaps.



## LOWER RACK

For pots, lids, plates, salad bowls, cutlery etc. Large plates and lids should ideally be placed at the sides to avoid interferences with the spray arm. The lower rack has tip-up supports which can be used in a vertical position when arranging plates or in a horizontal position (lower) to load pans and salad bowls easily.



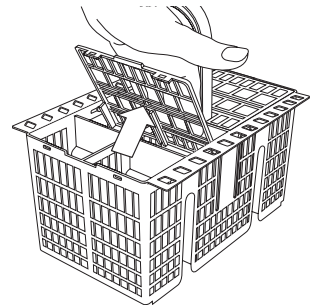
(loading example for the lower rack)

## CUTLERY BASKET

It is fitted with top grids for improved cutlery arrangement.

It must only be positioned at the front of the lower rack.

**Knives and other utensils with sharp edges must be placed in the cutlery basket with the points facing downwards or they must be positioned horizontally in the tip-up compartments on the upper rack.**



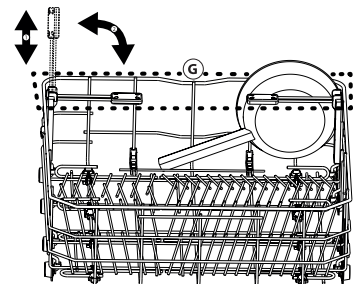
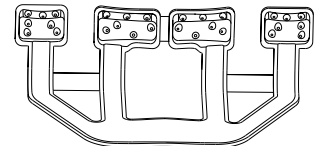
## POWER CLEAN®

Power Clean® uses the special water jets in the rear of cavity to wash more intensively the high dirty items. The lower rack has a Space Zone, a special pull-out support in the rear of the rack that can be used to support frying pans or baking pans in upright position, thus taking up less space.

Placing the pots/casseroles faced to the Power Clean® component please activate the **POWER CLEAN®** on the panel.

How to use Power Clean®:

1. Adjust the Power Clean® area **G** folding down the rear plate holders to load pots.
2. Load pots and casseroles inclined vertically in Power Clean® area. Pots have to be inclined towards the power water jets.



---

# DAILY USE

---

## 1. CHECK WATER CONNECTION

Check that the dishwasher is connected to the water supply and that the tap is open.

## 2. SWITCH ON THE DISHWASHER

Open the door and press the **ON/OFF** button.

## 3. LOAD THE RACKS (see *LOADING THE RACKS*).

## 4. FILLING THE DETERGENT DISPENSER

## 5. CHOOSE THE PROGRAM AND CUSTOMISE THE CYCLE

Select the most appropriate program in accordance with the type of crockery and its soiling level (see *PROGRAMS DESCRIPTION*) by pressing the **P** button.

Select the desired options (see *OPTIONS AND FUNCTIONS*).

## 6. START

Start the wash cycle by pressing **START/Pause** button (led is lit) and closing the door within 4 sec. When the program starts you hear a single beep. If the door was not closed within 4sec., the alarm sound will be played. In this case, open the door, press **START/Pause** button and close the door again within 4 sec.

## 7. END OF WASH CYCLE

The end of the wash cycle is indicated by beeps and by the flashing of the wash cycle number on the display. Open the door and switch off the appliance by pressing the **ON/OFF** button.

Wait for a few minutes before removing the crockery - to avoid burns. Unload the racks, beginning with the lower one.

**The machine will switch off automatically during certain extended periods of inactivity, in order to minimise electricity consumption. If the crockery is only lightly soiled or if it has been rinsed with water before being placed in the dishwasher, reduce the amount of detergent used accordingly.**

## MODIFYING A RUNNING PROGRAM

If a wrong program was selected, it is possible to change it, provided that it has only just begun: open the door, press and hold the **ON/OFF** button, the machine will switch off.

Switch the machine back on using the **ON/OFF** button and select the new wash cycle and any desired options; Start the wash cycle by pressing **START/Pause** button (led is lit) and closing the door within 4 sec.

## ADDING EXTRA CROCKERY

Without switching off the machine, open the door (**START/Pause** led starts blinking) (**be ware of HOT steam!**) and place the crockery inside the dishwasher. Press the **START/Pause** button and close the door within 4 sec., the cycle will resume from the point at which it was interrupted.

## ACCIDENTAL INTERRUPTIONS

If the door is opened during the wash cycle, or if there is a power cut, the cycle stops. Press the **START/Pause** button and close the door within 4 sec., the cycle will resume from the point at which it was interrupted.

---

# ADVICE AND TIPS

---

## TIPS

Before loading the baskets, remove all food residues from the crockery and empty the glasses. **You do not need to rinse beforehand under running water.**

Arrange the crockery so that it is held in place firmly and does not tip over; and arrange the containers with the openings facing downwards and the concave/convex parts placed obliquely, thus allowing the water to reach every surface and flow freely.

**Warning:** lids, handles, trays and frying pans do not prevent the sprayer arms from rotating.

Place any small items in the cutlery basket.

Very soiled dishes and pans should be placed in the lower basket because in this sector the water sprays are stronger and allow a higher washing performance.

After loading the appliance, make sure that the sprayer arms can rotate freely.

## UNSUITABLE CROCKERY

- Wooden crockery and cutlery.
- Delicate decorated glasses, artistic handicraft and antique crockery. Their decorations are not resistant.
- Parts in synthetic material which do not withstand high temperatures.
- Copper and tin crockery.
- Crockery soiled with ash, wax, lubricating grease or ink.

The colours of glass decorations and aluminium/silver pieces can change and fade during the washing process. Some types of glass (e.g. crystal objects) can become opaque after a number of wash cycles too.

## DAMAGE TO GLASS AND CROCKERY

- Only use glasses and porcelain guaranteed by the manufacturer as dishwasher safe.
- Use a delicate detergent suitable for crockery
- Collect glasses and cutlery from the dishwasher as soon as the wash cycle is over.

## TIPS ON ENERGY SAVING

- When the household dishwasher is used according to the manufacturer's instructions, **washing tableware in a dishwasher usually consumes less energy and water than hand dishwashing.**
- In order to maximize dishwasher efficiency it is recommended to **initiate the wash cycle once dishwasher is fully loaded.** Loading the household dishwasher up to the capacity indicated by the manufacturer will contribute to energy and water savings. Information on correct loading of tableware can be found in Loading chapter. In case of partial loading it is recommended to use dedicated wash options if available (Half load/ Zone Wash, Multizone), filling up only selected racks. Incorrect loading or overloading the dishwasher may increase resources usage (such as water, energy and time, as well as increase noise level), reducing cleaning and drying performance.
- Manual pre-rinsing of tableware items leads to increased water and energy consumption and is not recommended.

## HYGIENE

To avoid odour and sediment which can be accumulated in the dishwasher **please run a high temperature program at least one a month.** Use a tea spoon of detergent and run it without the loading to clean your appliance.

# CARE AND MAINTENANCE

## CLEANING THE FILTER ASSEMBLY

Regularly clean the filter assembly so that the filters do not clog and that the waste water flows away correctly.

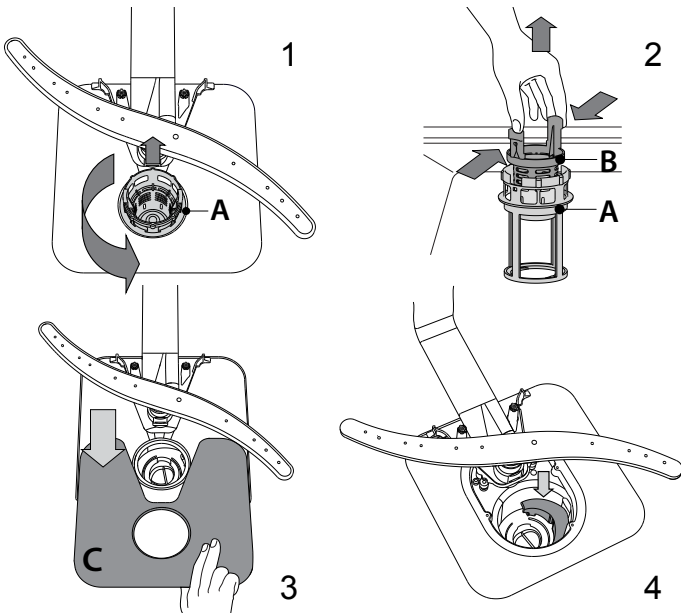
Using dishwasher with clogged filters or foreign objects inside filtration system or sprayarms may cause unit malfunction resulting in lose of performance, noisy work or higher resources usage.

The filter assembly consists of three filters which remove food residues from the washing water and then recirculate the water.

**The dishwasher must not be used without filters or if the filter is loose.**

At least once per month or after each 30 cycles, check the filter assembly and if necessary clean it thoroughly under running water, using a non-metallic brush and following the instructions below:

1. Turn the cylindrical filter **A** in an anti-clockwise direction and pull it out (Fig 1).
2. Remove the cup filter **B** by exerting a slight pressure on the side flaps (Fig 2).
3. Slide out the stainless-steel plate filter **C** (Fig 3).
4. In case you find foreign objects (such as broken glass, porcelain, bones, fruit seeds etc.) **please remove them carefully**.
5. Inspect the trap and remove any food residues. **NEVER REMOVE** the wash-cycle pump protection (black detail) (Fig 4).



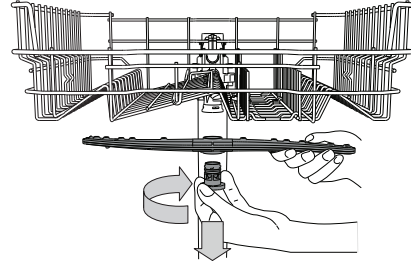
After cleaning the filters, re-place the filter assembly and fix it in position correctly; this is essential for maintaining the efficient operation of the dishwasher.

## CLEANING THE WATER INLET HOSE

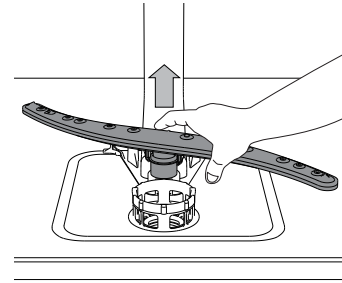
If the water hoses are new or have not been used for an extended period of time, let the water run to make sure it is clear and free of impurities before performing the necessary connections. If this precaution is not taken, the water inlet could become blocked and damage the dishwasher.

## CLEANING THE SPRAY ARMS

On occasions, food residue may become encrusted onto the spray arms and block the holes used to spray the water. It is therefore recommended that you check the arms from time to time and clean them with a small non-metallic brush.



To remove the upper spray arm, turn the plastic locking ring in a clockwise direction. The upper spray arm should be replaced so that the side with the greater number of holes is facing upwards.



The lower spray arm may be removed by pulling it upwards.

## WATER SOFTENING SYSTEM

Water softener automatically reduces water hardness, consequently preventing scale buildup on heater, contributing also to better cleaning efficiency.

**This system regenerates itself with salt, therefore it is required to refill salt container when empty.**



Frequency of regeneration depends on water hardness level setting - regeneration takes place once per **6** Eco cycles with water hardness level set to **3**.

Regeneration process starts in final rinse and finishes in drying phase, before cycle ends.

- Single regeneration consumes: ~3.5L of water;
- Takes up to 5 additional minutes for the cycle;
- Consumes below 0.005kWh of energy.

# TROUBLESHOOTING

In case your dishwasher doesn't work properly, check if the problem can be solved by going through the following list. For other errors or issues please contact authorized After-sales Service whose contact details can be found in the warranty booklet. Spare parts will be available for a period of either up to 7 or up to 10 years, according to the specific Regulation requirements.

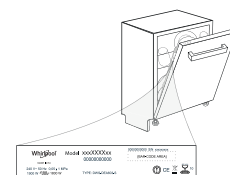
PROBLEMS	POSSIBLE CAUSES	SOLUTIONS
 Salt indicator is lit	Salt reservoir is empty. (After refill the salt indicator may remain lit for several wash cycles).	Refill reservoir with salt (for more information - see page 2). Adjust water hardness - see table, page 2.
 Rinse aid indicator is lit	Rinse aid dispenser is empty. (After refill the rinse aid indicator may remain lit for several wash cycles).	Refill dispenser with rinse aid (for more information - see page 2).
The dishwasher won't start or does not respond to commands.	The appliance has not been plugged in properly.	Insert the plug into the socket.
	Power outage.	For safety reasons, dishwasher will not re-start automatically when power returns. Open dishwasher door, press START/Pause button and close the door within 4 seconds.
	The dishwasher door is not closed. NaturalDry pin is not pulled in.	Vigorously push the door until you hear the "click".
	Cycle is interrupted by door opening for more than 4 seconds.	Press START/Pause and close the door within 4 seconds.
The dishwasher won't drain. Display shows: <b>3</b> and On/Off LED is blinking rapidly	It does not respond to commands. Display shows: <b>9</b> or <b>12</b> and On/Off LED is blinking rapidly	Switch off the appliance by pressing the ON/OFF button, switch it back on after approximately one minute and restart the program. If problem persists, unplug the appliance for 1 minute, then plug it back in.
	The wash cycle has not finished yet.	Wait until the wash cycle finishes.
The dishwasher makes excessive noise.	The drain hose is bent.	Check that the drain hose is not bent (see <i>INSTALLATION INSTRUCTION</i> ).
	The sink drain pipe is blocked.	Clean the sink drain pipe.
	The filter is clogged up with food residues.	Clean the filter (see <i>CLEANING THE FILTER ASSEMBLY</i> ).
The dishes are rattling against each other.	The dishes are rattling against each other.	Position the crockery correctly (see <i>LOADING THE RACKS</i> ).
	An excessive amount of foam has been produced.	The detergent has not been measured out correctly or it is not suitable for use in dishwashers (see <i>FILLING THE DETERGENT DISPENSER</i> ). Restart the current cycle by switching OFF the dishwasher, then switch it on again, select a new program, press START/Pause and close the door within 4 seconds. Please do not add any detergent.
The dishes are not clean.	The crockery has not been arranged properly.	Arrange the crockery correctly (see <i>LOADING THE RACKS</i> ).
	The spray arms cannot rotate freely, being hindered by the dishes.	Arrange the crockery correctly (see <i>LOADING THE RACKS</i> ).
	The wash cycle is too gentle.	Select an appropriate wash cycle (see <i>PROGRAMS TABLE</i> ).
	An excessive amount of foam has been produced.	The detergent has not been measured out correctly or it is not suitable for use in dishwashers (see <i>FILLING THE DETERGENT DISPENSER</i> ).
	The cap on the rinse aid compartment has not been shut correctly.	Make sure the cap of the rinse aid dispenser is closed.
	The filter is soiled or clogged.	Clean the filter assembly (see <i>CARE AND MAINTENANCE</i> ).
	There is no salt.	Fill the salt reservoir (see <i>FILLING THE SALT RESERVOIR</i> ).
The dishwasher does not fill the water. Display shows: <b>H</b> , <b>6</b> and On/Off LED is blinking rapidly	No water in the water supply or the tap is closed.	Make sure there is water in the water supply or the tap running.
	The inlet hose is bent.	Make sure the inlet hose is not bent (see <i>INSTALLATION</i> ) reprogram the dishwasher and reboot.
	The sieve in the water inlet hose is clogged; it is necessary to clean it	After having carried out the verification and cleaning, turn off and turn on the dishwasher and restart a new program.
Dishwasher finishes the cycle prematurely. Display shows: <b>15</b> and On/Off LED is blinking rapidly	Drain hose positioned too low or siphoning into home sewage system.	Check if end of drain hose is placed at correct height (see <i>INSTALLATION</i> ). Check for siphoning into home sewage system, install air admittance valve if necessary.
	Air in water supply.	Check water supply for leaks or other issues letting air inside.



Policy and standard documentation and additional product information can be found by:

- Visiting our website [docs.whirlpool.eu/docs](https://docs.whirlpool.eu/docs) and [parts-selfservice.europeanappliances.com](https://parts-selfservice.europeanappliances.com)
- Using QR Code
- Alternatively, **contact our After-sales Service** (See phone number in the warranty booklet). When contacting our After-sales Service, please state the codes provided on your product's identification plate.

The model information can be retrieved using the QR-Code reported in the energy label. The label also includes the model identifier that can be used to consult the portal of the registry at <https://eprel.ec.europa.eu>



**400011483000B**

12/2024 ks - Xerox Fabriano





# PŘÍRUČKA PRO KAŽDODENNÍ POUŽITÍ



DĚKUJEME VÁM, ŽE JSTE SI ZAKOUPILI VÝROBEK ZNAČKY WHIRLPOOL. Pro získání komplexnější asistence zaregistrujte prosím svůj spotřebič na: [www.whirlpool.eu/register](http://www.whirlpool.eu/register)

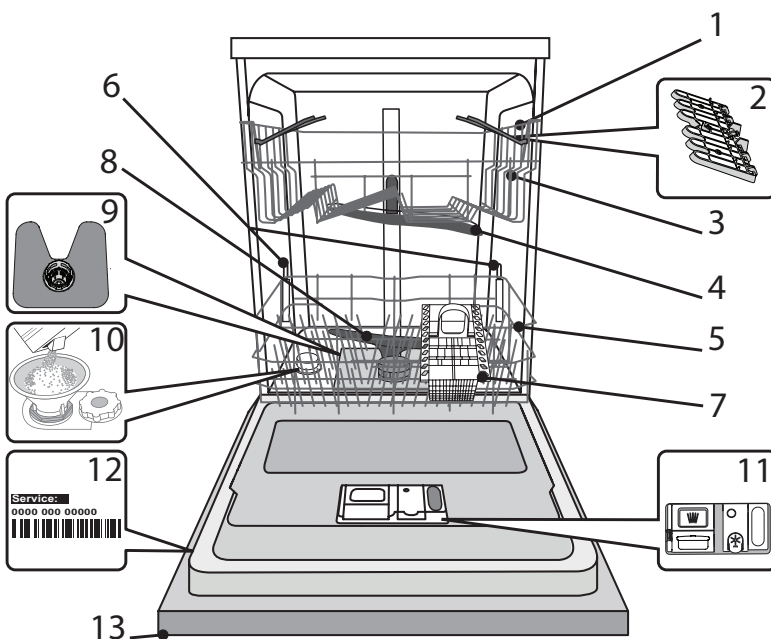


Bezpečnostní pokyny a Návod k obsluze, si můžete stáhnout na naší webové stránce [docs.whirlpool.eu/docs](http://docs.whirlpool.eu/docs) podle postupu na zadní straně této brožury.

**Před použitím spotřebiče si pečlivě přečtěte Bezpečnostní pokyny.**

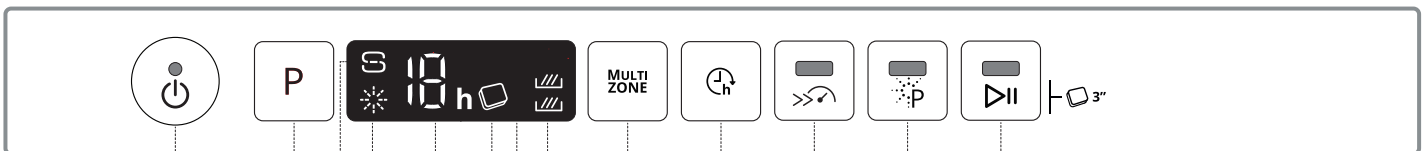
## POPIS SPOTŘEBIČE

### SPOTŘEBIČ



1. Horní koš
2. Sklopné klapky
3. Výškové nastavení horního koše
4. Horní ostříkovací rameno
5. Dolní koš
6. Podpora Power Clean®
7. Košík na příbory
8. Dolní ostříkovací rameno
9. Sestava filtru
10. Zásobník na sůl
11. Dávkovače mycího prostředku a leštidla
12. Typový štítek
13. Ovládací panel

### OVLÁDACÍ PANEL



1. Tlačítko „zapnout-vypnout/vynulovat“ s kontrolkou
2. Tlačítko volby programu
3. Kontrolka „Doplnění soli“
4. Kontrolka „Nedostatek leštidla“
5. Ukazatel čísla programu a indikátor doby zpoždění
6. Kontrolka „Prášek/Tableta“ (Tab)
7. Displej
8. Kontrolka „Multizone“
9. Tlačítko „Multizone“
10. Tlačítko „Odložený start“
11. Tlačítko „Turbo“ s kontrolkou
12. Tlačítko „Power Clean®“ s kontrolkou
13. Tlačítko „SPUSTIT/Pauza“ s kontrolkou/ „Tableta“ (Tab)

# PRVNÍ POUŽITÍ SŮL, LEŠTIDLO A MYCÍ PŘÍPRAVEK

## RADY PRO PRVNÍ POUŽITÍ

Po instalaci odstraňte zarážky z košů a pružné upevňovací prvky z horního koše.

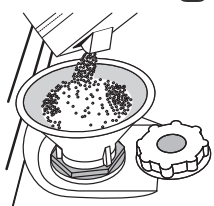
## NAPLNĚNÍ ZÁSObNÍKU SOLI

Použití soli vede k předcházení usazování VODNÍHO KAMENE na nádobí a funkčních součástech myčky.

• **ZÁSObNÍK NA SŮL nesmí NIKDY ZŮSTAT PRÁZDNY.**

• Nastavení tvrdosti vody je důležité.

Zásobník na sůl se nachází ve spodní části myčky (viz POPIS SPOTŘEBIČE) a je nutné jej naplnit, když se na ovládacím panelu rozsvítí kontrolka DOPLNĚNÍ SOLI S.



1. Vytáhněte spodní koš a odšroubujte víčko zásobníku (proti směru hodinových ručiček).
2. Následující kroky provádějte pouze při prvním použití: Naplňte zásobník soli vodou.
3. Umístěte trychtýř (viz obrázek) a naplňte zásobník solí až po okraj (přibližně 1 kg); odtékání určitého množství vody je přítom normální.
4. Vyměňte trychtýř a otřete z otvoru přebytečnou sůl.

Ujistěte se, že je víčko pevně dotaženo, aby se do zásobníku nedostal při mytí žádný mycí prostředek (to by mohlo vést k neopravitelnému poškození změkčovače vody).

**Pokud potřebujete doplnit sůl, je nutné tento proces dokončit před začátkem mycího cyklu, aby se předešlo korozi.**

## NASTAVENÍ TVRDOSTI VODY

Abyste mohli změkčovač vody řádně fungovat, je nezbytné nastavit tvrdost vody podle skutečných hodnot platných pro vodu ve vašem domě. Informaci o tvrdosti vody v řadě získáte od místního dodavatele vody.

Tovární nastavení určuje implicitní nastavení hodnoty pro tvrdost vody.

- Zapněte spotřebič stiskem tlačítka „ZAPNOUT/VYPNOUT“.
- Vypněte spotřebič stiskem tlačítka „ZAPNOUT/VYPNOUT“.
- Podržte tlačítko **P** stisknuté po dobu 5 sekund, dokud neuslyšíte pípnutí.
- Zapněte spotřebič stiskem tlačítka „ZAPNOUT/VYPNOUT“.
- Aktuální nastavení úrovně a kontrolka soli blikají.
- Stiskněte tlačítko **P** pro výběr požadované úrovně tvrdosti vody (viz TABULKA TVRDOSTI VODY).

Tabulka tvrdosti vody				
Stupeň	°dH Německé stupně	°fH Francouzské stupně	°Clark Anglické stupně	
1	Měkká	0 - 6	0 - 10	0 - 7
2	Střední	7 - 11	11 - 20	8 - 14
3	Středně tvrdá	12 - 16	21 - 29	15 - 20
4	Tvrdá	17 - 34	30 - 60	21 - 42
5	Velmi tvrdá	35 - 50	61 - 90	43 - 62

- Vypněte spotřebič stiskem tlačítka „ZAPNOUT/VYPNOUT“.

Nastavení je hotové!

Po dokončení tohoto úkonu spusťte mycí program naprázdno (bez nádobí).

**Používejte výhradně sůl určenou pro myčky nádobí.**

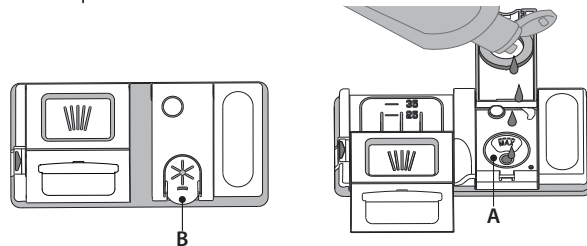
Poté, co do myčky nasypete sůl, zhasne kontrolka „DOPLNĚNÍ SOLI“.

**Pokud není zásobník na sůl doplněn, může to vést k poškození změkčovače vody a topného tělesa v důsledku nahromadění vodního kamene.**

**Sůl doporučujeme používat s každým typem prostředku na mytí nádobí.**

## DOPLNĚNÍ DÁVKOVAČE LEŠTIDLA

Díky leštidlu nádobí lépe schne. Zásobník leštidla **A** by měl být doplněn pokaždé, když se na ovládacím panelu rozsvítí kontrolka „NEDOSTATEK LEŠTIDLA“ ✨.



1. Stlačením a zatažením páčky na víku zásobník **B** otevřete.
2. Opatrně nalijte leštadlo až po maximální hodnotu (110ml) vyznačenou ryskou v hrdle zásobníku – zabraňte jeho přelití. Pokud dojde k rozliti, setřete tekutinu okamžitě suchým hadrem.
3. Stiskněte víčko, dokud se s cvaknutím nezavře. **NIKDY nelijte leštadlo přímo do myčky.**

## NASTAVENÍ DÁVKOVÁNÍ LEŠTIDLA

Nejste-li plně spokojeni s výsledky sušení, můžete nastavit množství použitého leštidla.

- Zapněte spotřebič stiskem tlačítka „ZAPNOUT/VYPNOUT“.
- Vypněte jej stiskem tlačítka „ZAPNOUT/VYPNOUT“.
- Stiskněte tlačítko **P** třikrát a uslyšíte pípnutí.
- Zapněte spotřebič stiskem tlačítka „ZAPNOUT/VYPNOUT“.
- Aktuální nastavení a kontrolka leštidla blikají.
- Stiskem tlačítka **P** zvolte úroveň dávkování leštidla.
- Vypněte jej stiskem tlačítka „ZAPNOUT/VYPNOUT“.

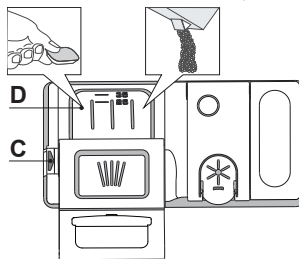
Nastavení je hotové!

Je-li úroveň dávkování leštidla nastavena na „NULLA“ (EKO), nebude dávkováno žádné leštadlo. Dojde-li leštadlo, kontrolka „NEDOSTATEK LEŠTIDLA“ se nerozsvítí. V závislosti na konkrétním modelu myčky lze nastavit maximálně 5 úrovně. Tovární nastavení je specifické pro daný model. Řiďte se prosím výše uvedeným pokynem, abyste ověřili konkrétní nastavení vaší myčky.

- Pokud jsou na nádobí patrné modravé odlesky, nastavte nízké hodnoty (1-2).
- Jsou-li na nádobí stopy vodního kamene, nastavte vyšší číslo (3-4).

## DOPLNĚNÍ DÁVKOVAČE MYCÍHO PROSTŘEDKU

**K otevření zásobníku mycího prostředku použijte otevírací prvek C. Dávkujte mycí prostředek výhradně do suchého zásobníku D. Prostředek pro předmytí dávkujte přímo do prostoru myčky.**



1. Při dávkování mycího prostředku se řiďte předchozími pokyny, abyste odměřili správné množství. Uvnitř zásobníku **D** se nacházejí značky, které pomohou při dávkování mycího prostředku.
2. Odstraňte zbytky mycího prostředku z okraje zásobníku a pak jej zavřete tak, aby bylo slyšet cvaknutí.
3. Tahem zavřete víčko zásobníku mycího prostředku, dokud zavírací prvek nezapadne na své místo.

Zásobník se automaticky otevře v pravou chvíli v závislosti na použitém programu.

Používáte-li tablety typu „vše v jednom“, doporučujeme stisknout tlačítko **TABLET**, čímž se program přizpůsobí, aby bylo možno dosáhnout ideálních mycích výsledků.

**Použití čistícího prostředku, který není určený pro myčky nádobí, může způsobit nesprávný chod nebo poškození spotřebiče.**

# TABULKA PROGRAMŮ

Program	Fáze sušení	NaturalDry	Dostupné funkce *)	Délka mycího programu (h:min)**)	Spotřeba vody (litry/cyklus)	Spotřeba energie (kWh/cyklus)
1. „Eko“ ECO 50°	✓	✓		3:10	9,5	0,85
2. 6 <sup>th</sup> Sense 50-60°	✓	✓	MULTI ZONE >>>	1:25 - 3:00	7,0 - 14,0	0,90 - 1,40
3. Intenzivní	✓	✓	MULTI ZONE >>>	2:50	14,0	1,50
4. Rychlé mytí a sušení	✓	✓	MULTI ZONE	1:25	11,5	1,10
5. Křehké	✓	✓	MULTI ZONE	1:40	11,5	1,20
6. Rychlý 30'	-	-	MULTI ZONE	0:30	9,0	0,50
7. Tichý	✓	✓		3:30	15,0	1,15
8. Předmytí	-	-	MULTI ZONE	0:12	4,5	0,01

Údaje pro „Eko“ jsou měřeny v laboratorních podmínkách podle pokynů evropské normy EN 60436:2020.

Poznámka pro zkušební laboratoře: Pro informace o zkušebních podmínkách srovnávací zkoušky EN napište na adresu: [dw\\_test\\_support@europeanappliances.com](mailto:dw_test_support@europeanappliances.com)  
Žádný z programů nevyžaduje jakékoli předchozí ošetření nádobí.

\*) Ne všechny možnosti lze používat zároveň.

\*\*\*) Hodnoty uvedené pro ostatní programy kromě Eko jsou pouze přibližné. Skutečná doba se může lišit v závislosti na mnoha vlivech, jako je např. teplota, tlak vstupní vody, teplota okolí, množství mycího prostředku, množství a typ nádobí, vyvážení nádobí, zvolené doplňkové možnosti a kalibrace snímačů. Kalibrace snímačů může program prodloužit až o 20min.

## POPIS PROGRAMŮ

### Pokyny pro výběr mycího cyklu.

#### 1 „Eko“

Program EKO je vhodný k mytí běžně zašpiněného nádobí, který je pro tento účel nejvýhodnějším programem s ohledem na spotřebu energie a vody a který se využívá k vyhodnocení shody spotřebiče s předpisy Ecodesign EU.

#### 2 6<sup>th</sup> SENSE

Pro běžně zašpiněné nádobí se zaschlými nečistotami. Myčka zjistí úroveň zašpinění nádobí a odpovídajícím způsobem nastaví program. Když senzor snímá úroveň znečištění nádobí, na displeji se zobrazí odpovídající symbol a aktualizuje se délka cyklu.

#### 3 INTENZIVNÍ

Program doporučený pro velmi špinavé nádobí, hlavně hrnce a pánve (nepoužívat lna jemné nádobí).

#### 4 RYCHLÉ MYTÍ A SUŠENÍ

Běžně zašpiněné nádobí. Běžný každodenní program zajišťující optimální účinnost mytí a sušení v kratším čase.

#### 5 KŘEHKÉ

Program pro choulostivé nádobí, které je citlivější na vysoké teploty, jako jsou například sklenice a hrnky.

#### 6 RYCHLÝ 30'

Program určený pro poloviční naplnění lehce zašpiněným nádobím bez zaschlých zbytků. Nezahrnuje fázi sušení.

#### 7 TICHÝ

Ideální pro noční provoz spotřebiče. Zajišťuje optimální účinnost mytí a sušení při minimální hladině hluku.

#### 8 PŘEDMYTÍ

Používejte pro opláchnutí nádobí, které plánujete mýt později. V tomto programu se nepoužívá žádný mycí prostředek.

#### Poznámka:

Upozorňujeme, že cyklus Rychlý 30' je určený pro mírně zašpiněné nádobí.

# MOŽNOSTI A FUNKCE

MOŽNOSTI lze volit přímo stiskem příslušného tlačítka (viz OVLÁDACÍ PANEL).

**Není-li možnost kompatibilní se zvoleným programem (viz TABULKA PROGRAMŮ), příslušná kontrolka třikrát rychle zabliká a ozve se zvukové znamení. Možnost nebude zvolena.**

## MULTI ZONE MULTIZONE

Pokud je k mytí pouze malé množství nádobí, lze využít funkci „Poloviční náplň“ šetřící elektrickou energii, vodu a mycí prostředek. Vyberte program a stiskněte tlačítko „MULTIZONE“: na displeji se zobrazí symbol zvoleného koše. Ve výchozím nastavení myčka myje nádobí ve všech koších. Chcete-li provést mytí pouze ve zvoleném koši, stiskněte opakovaně toto tlačítko:



zobrazeno na displeji (pouze dolní koš)



zobrazeno na displeji (pouze horní koš)



zobrazeno na displeji (zvolená možnost je VYPNUTO a myčka bude mýt nádobí ve všech koších).

**Nezapomeňte nejprve vždy zcela naplnit pouze horní nebo dolní koš a přiměřeným způsobem snížit množství dávkovaného mycího prostředku.**

**Pokud je horní koš vyjmutý, aplikujte mycí prostředek přímo do prostoru myčky namísto do zásobníku.**



## ODLOŽENÝ START

Spuštění programu lze odložit o 1 až 12 hodin.

1. Stiskněte tlačítko „ODLOŽENÝ START“. Na displeji se objeví příslušný „h“ symbol; každým stiskem tlačítka se prodlužuje doba odložení začátku mycího programu (1 h, 2 h atd. až do max. 12 h).
2. Zvolte mycí program, stiskněte tlačítko „SPUSTIT/Pauza“ a do 4 sekund zavřete dvířka: časovač začne odpočítávat.
3. Po vypršení stanoveného času světelná kontrolka „h“ zhasne a mycí program se automaticky spustí.

Chcete-li upravit dobu odloženého startu a zvolit kratší, stiskněte tlačítko „Odložený start“. Pro zrušení stiskněte tlačítko opakovaně, dokud nezhasne kontrolka „ODLOŽENÝ START“ „h“.

**Funkci „ODLOŽENÝ START“ nelze zvolit, pokud již program běží.**



## TURBO

Tuto možnost lze použít pro zkrácení délky hlavních programů při zachování stejné úrovně mytí a sušení.

Po stisknutí tlačítka „TURBO“ se rozsvítí kontrolka. Možnost zrušíte opětovným stisknutím tlačítka.



## POWER CLEAN®

Tato funkce umožňuje intenzivnější a výkonnější mytí v určité oblasti dolního koše. Používá k tomu dodatečné vodní trysky. Tato funkce se doporučuje pro mytí rendlíků a hrnců. Stisknutím tohoto tlačítka aktivujete funkci „POWER CLEAN“ (rozsvítí se kontrolka).



## „PRÁŠEK/TABLETA“

Toto nastavení vám umožňuje přizpůsobit průběh programu typu použitého mycího prostředku.

Stiskněte tlačítko „SPUSTIT/Pauza“ na 3 sekundy (rozsvítí se příslušný symbol), používáte-li kombinované mycí prostředky ve formě tablet (leštidlo, sůl a mycí prostředek v jedné dávce).

**Používáte-li mycí prostředek v prášku, měla by být tato možnost vypnuta.**

## NaturalDry

„NaturalDry“ je založen na konvenčním způsobu sušení, kdy se automaticky otevírají dvířka během/po ukončení fáze sušení, aby byl zajištěn každodenní mimořádný sušící výkon. Dvířka se otevřou při teplotě, která je bezpečná pro váš kuchyňský nábytek. Neotevřou se tedy v případě, pokud jste zapnuli možnost o „TURBO“.

Jako doplňkovou ochranu proti horké páře dodáváme k myčce speciálně navrženou ochrannou fólii. Pro informace, jak postupovat při instalaci ochranné fólie, nahlédněte prosím do INSTALAČNÍ PŘÍRUČKY.

Funkci systému otevírání dvířek „NaturalDry“ může uživatel deaktivovat následovně:

1. Stiskem a podržením tlačítka **P** (6 sekund) přejděte do softwarové nabídky „Myčka“.
2. Přepnuli jste do nabídky „Ovládání systému „NaturalDry“ (systém otevírání dvířek) a můžete změnit status funkce „NaturalDry“, a to stiskem tlačítka **P**:

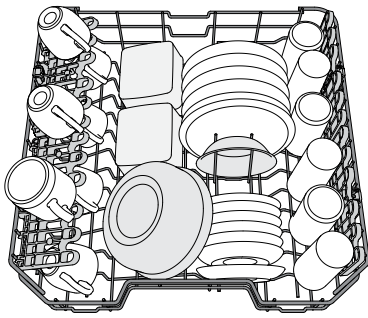
**E** – aktivováno

**d** – deaktivováno

Pro potvrzení změny a opuštění této nabídky ovládání prosím stiskněte a podržte tlačítko **P** (3 sekundy).

# PLNĚNÍ KOŠŮ

## HORNÍ KOŠ



(příklad naplnění horního koše)

Sem vkládejte jemné a lehké nádobí: sklenice, hrnky, tácky a mělké salátové mísy.

## NASTAVENÍ VÝŠKY HORNÍHO KOŠE

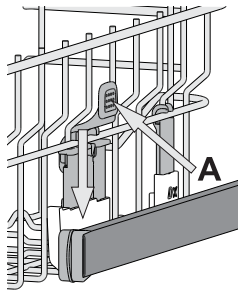
Výšku horního koše lze nastavit: Při umístění do vyšší polohy lze do spodního koše vkládat objemnější kusy, v nižší poloze pak lze nejlépe využít sklopných opěrek – v horní části se tak vytvoří větší prostor a předejde se kolizím s předměty uloženými ve spodním koši.

Horní koš je vybaven **zařízením pro nastavení výšky horního koše** (viz obr.), bez nutnosti používat páky. Stačí koš prostě zvednout za strany, dokud nezapadne do stabilní horní polohy.

Pro návrat koše zpět do dolní polohy stiskněte páky **A** po stranách koše a zatlačte koš dolů.

**Důrazně doporučujeme neměnit polohu koše, je-li plný.**

**NIKDY nesnižujte ani nezvyšujte polohu koše pouze na jedné straně.**



## SKLOPNÉ OPĚRKY S NASTAVITELNOU POLOHOU

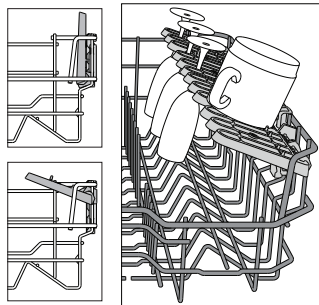
Postranní sklopné opěrky lze sklopit nebo vyklopit za účelem lepšího uspořádání nádobí v koši.

Do sklopných opěrek je možno bezpečně umístit sklenice na víno, a to tak, že stopku každé z nich opřeme do příslušného vybrání.

Podle modelu:

- vyklopení opěrek: je třeba je posunout nahoru a otočit jimi nebo je uvolnit z příchytěk a zatáhnout směrem dolů;

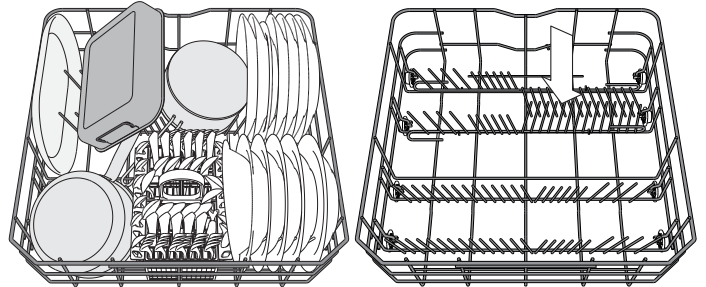
- sklopení opěrek: je třeba jimi otočit a posunout je dolů, nebo je vytáhnout směrem nahoru a připnout do příchytěk.



## DOLNÍ KOŠ

Je určen na hrnce, tácy, talíře, salátové mísy, přístroje atd. Velké talíře a poklice by měly být umístěny po stranách, aby nedošlo ke kontaktu s ostříkovacími rameny.

Dolní koš je vybaven opěrkami, které lze ve svislé poloze použít k umístění talířů nebo v horizontální (dolní) poloze ke snadnému umístění hrnců a salátových misek.

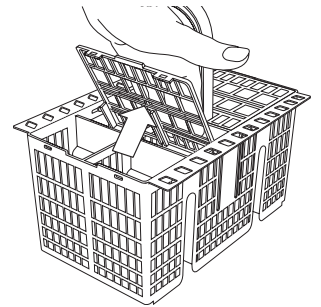


(příklad plnění dolního koše)

## KOŠÍK NA PŘÍBORY

Je vybaven horními otvory umožňujícími lepší uspořádání příborů. Musí být umístěn v přední části dolního koše.

**Nože a další ostré nástroje musí být umístěny svisle v koši na příbory ostřím směrem dolů nebo vodorovně na sklopných opěrkách horního koše.**



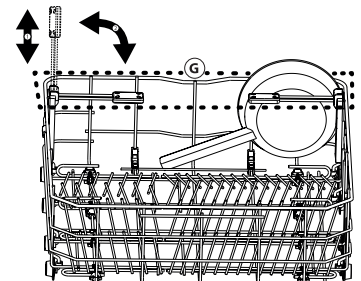
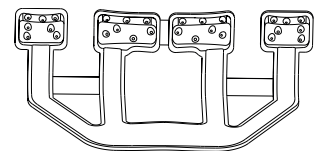
## FUNKCE „POWER CLEAN“ VE SPODNÍM KOŠI

Při funkci „Power Clean“ se používají speciální proudy vody v zadní části myčky k intenzivnějšímu mytí velmi špinavého nádobí. Dolní koš je vybaven zařízením Space Zone, speciální výsuvnou opěrkou v zadní části koše, kterou lze použít k opření pánví či pekáčů ve svislé poloze, kdy zabírají méně místa.

Umístěte hrnce a kastroly proti ústí Power Clean® a aktivujte funkci **POWER CLEAN** na panelu.

Jak používat funkci „Power Clean“:

1. Upravte prostor (G) pro účinné mytí „Power Clean“ sklopením zadních držáků talířů. Tím uvolníte prostor pro hrnce.
2. Hrnce a kastroly položte svisle do prostoru „Power Clean“. Hrnce je třeba naklonit směrem k vodním tryskám.



# DENNÍ POUŽÍVÁNÍ

## 1. ZKONTROLUJTE PŘIPOJENÍ K VODOVODNÍ SÍTI

Zkontrolujte, zda je myčka připojena k vodovodní síti a zda je vodovodní kohoutek otevřený.

## 2. ZAPNĚTE MYČKU

Otevřete dvířka a stiskněte tlačítko „ZAPNOUT/VYPNOUT“.

## 3. VLOŽTE NÁDOBÍ (viz PLNĚNÍ KOŠŮ)

## 4. PLNĚNÍ DÁVKOVAČE MYČÍHO PROSTŘEDKU

## 5. VYBERTE PROGRAM A PŘÍZPUSOBTE CYKLUS

Vyberte nejvhodnější program vzhledem k druhu nádobí a míře jeho zašpinění (viz POPIS PROGRAMŮ) pomocí tlačítka **P**. Vyberte požadované možnosti (viz MOŽNOSTI A FUNKCE).

## 6. START

Mycí cyklus spustíte stiskem tlačítka **SPUSTIT/Pauza** (led kontrolka svítí) s následným uzavřením dvířek do 4 sekund. Jakmile program začne, uslyšíte jedno pípnutí. Pokud dvířka nejsou do 4 sekund uzavřena, rozezní se výstražné upozornění. V takovém případě je otevřete, stiskněte tlačítko **SPUSTIT/Pauza** a znovu je uzavřete s dodržением 4 sekundového časového limitu.

## 7. KONEC MYČÍHO CYKLU

Konec mycího cyklu je indikován pípnutím a blikáním čísla mycího cyklu na displeji. Otevřete dvířka a vypněte spotřebič stiskem tlačítka „ZAPNOUT/VYPNOUT“.

Před vyklizením nádobí chvíli počkejte, předejete tak popálení.

Vyklidte nádobí z košů – začněte spodním.

Spotřebič se při delší nečinnosti vypne, aby tak šetřil elektrickou energii. Je-li nádobí znečištěno pouze lehce nebo bylo-li před umístěním do myčky opláchnuto, snižte přiměřeně dávkování mycího prostředku.

## MODIFIKACE BĚŽÍCÍHO PROGRAMU

Došlo-li k výběru nesprávného programu, je možné jej změnit za předpokladu, že od jeho spuštění uplynula pouze krátká chvíle: otevřete dvířka, stiskněte a podržte tlačítko „ZAPNOUT/VYPNOUT“ a spotřebič se vypne.

Stisknutím tlačítka „ZAPNOUT/VYPNOUT“ spotřebič opět zapnete a zvolte nový mycí program spolu s požadovanými možnostmi. Mycí cyklus spustíte stiskem tlačítka **SPUSTIT/Pauza** (rozsvítí se kontrolka) s následným uzavřením dvířek do 4 sekund.

## PŘIDÁNÍ DALŠÍHO NÁDOBÍ

Aniž byste spotřebič vypínali, otevřete dvířka (rozblíká se led kontrolka **SPUSTIT/Pauza** (**budte opatrní na HORKOU páru!**)) a vložte nádobí do myčky. Stiskněte tlačítko **SPUSTIT/Pauza** a do 4 sekund uzavřete dvířka. Cyklus se opětovně spustí od místa, ve kterém byl přerušen.

## NÁHODNÁ PŘERUŠENÍ

Dojde-li v průběhu mycího cyklu k otevření dvířek nebo výpadku elektrického napájení, cyklus se zastaví. Stiskněte tlačítko **SPUSTIT/Pauza** a do 4 sekund uzavřete dvířka. Cyklus se opětovně spustí od místa, ve kterém byl přerušen.

# DOPORUČENÍ A TYPY

## RADY

Před plněním košů odstraňte z nádobí všechny zbytky jídel a vyprázdněte sklenice. **Nádobí není třeba oplachovat pod tekoucí vodou.**

Uspořádejte nádobí vmyčce tak, aby pevně leželo na místě a nepřepadávalo; nádoby vkládejte dnem vzhůru a vyduťtými vypuklými povrchy šikmo, aby voda měla přístup ke všem povrchům a zároveň mohla volně odtékat.

**Varování:** Víka, madla, podnosy a pánve nesmí bránit ostříkovacím ramenům myčky v pohybu.

Drobné předměty vkládejte do koše na příbory. Velmi znečištěné nádobí a hrnce umísťte do spodního koše, protože v této části myčky je proud vody silnější, a lze tak dosáhnout lepší výkonnosti.

Po naplnění myčky ověřte, že se ostříkovací ramena mohou volně otáčet.

## NEVHODNÉ NÁDOBÍ

- Dřevěné nádobí a příbory.
- Jemné zdobené sklenice, umělecké, ručně vyrobené a starožitné nádobí. Jejich zdobení není dostatečně odolné.
- Části z plastu neodolávající vysokým teplotám.
- Měděné a cínové nádobí.
- Nádobí zašpiněné popelem, voskem, mazacím tukem či inkoustem.

Barva ozdob na skle a hliníkových/stříbrných kusů nádobí může během mytí vyblednout. Některé druhy skla (např. křišťálové předměty) mohou po několika mycích cyklech zmatnět.

## POŠKOZENÍ SKLA A NÁDOBÍ

- Používejte výhradně sklenice a porcelán, u nichž výrobce zaručuje možnost mytí v myčce.
- Používejte jemný mycí přípravek vhodný na porcelánové nádobí
- Vyjměte sklo a příbory z myčky hned po skončení mycího cyklu.

## TIPY K ÚSPORĚ ENERGIE

- Pokud se myčka nádobí do domácnosti používá v souladu s pokyny výrobce, je **spotřeba ENERGIE a vody při mytí nádobí v myčce NIŽŠÍ než při mytí v ruce.**
- Pro maximální úspornost myčky nádobí doporučujeme **mycí cyklus spustit až ve chvíli, kdy je myčka zcela zaplněná.** Naplnění myčky nádobí až do plné kapacity uvedené výrobcem přispívá k úspoře energie a vody. Informace o správném vkládání nádobí najdete v kapitole PLNĚNÍ KOŠŮ. V případě pouze částečného zaplnění doporučujeme použití příslušného mycího programu, je-li k dispozici (Half load / Zone Wash / Multi Zone) a plnění pouze příslušných košů. Nesprávné nebo nadměrné naplnění myčky může vést ke zvýšení spotřeby (vody, energie a času i zvýšení hlučnosti) a k snížení účinnosti mytí a sušení.
- Ruční předmyváání nádobí vede ke zvýšené spotřebě vody a energie a nedoporučujeme jej.

## HYGIENA

Aby se předešlo vzniku usazenin a zápachu v myčce, **spusťte nejméně jednou měsíčně program s vysokou teplotou.** Použijte čajovou lžičku mycího prostředku a vsypte ji do prázdné myčky.

# ÚDRŽBA A ČIŠTĚNÍ

## ČIŠTĚNÍ SESTAVY FILTRU

Pravidelně čistěte sestavu filtru, aby nebyla ucpaná a voda mohla řádně odtékat.

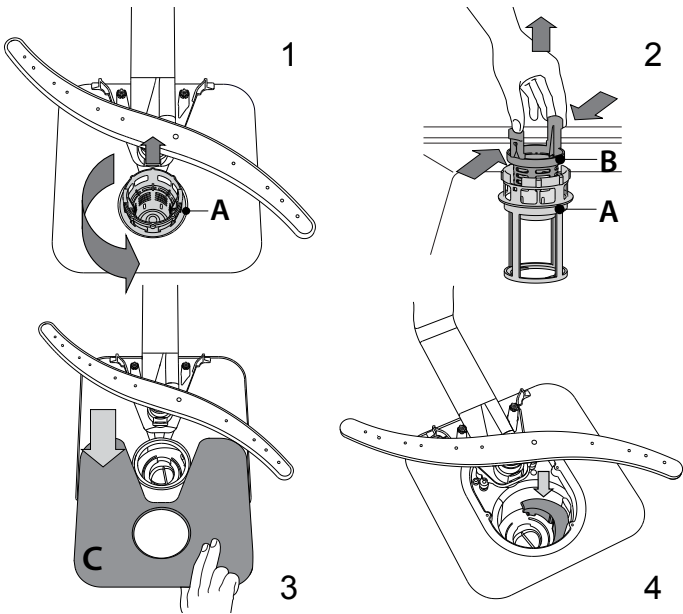
Používání myčky s ucpanými filtry nebo cizími předměty ve filtračním systému či rozstřikovačích může způsobit nesprávný chod spotřebiče, ztrátu účinnosti, hlučný chod nebo vyšší spotřebu.

Sestava filtru se skládá ze tří filtrů, které pomáhají zmycí vody odstranit zbytky potravin a umožňují její následnou recirkulaci.

**Myčka nesmí být používána bez filtrů nebo s nedotaženými filtry.**

Nejméně jednou měsíčně nebo po každých 30 cyklech zkontrolujte sestavu filtru a v případě potřeby jej důkladně vymyjte pod tekoucí vodou za pomoci nekovového kartáče podle pokynů níže:

1. Otočte válcovým filtrem **A** proti směru chodu hodinových ručiček a vyjměte jej (obr. 1).
2. Mírným tlakem na postranní klapky vyjměte miskový filtr **B** (obr. 2).
3. Vysuňte nerezový deskový filtr **C** (obr. 3).
4. Pokud naleznete cizí předměty (např. úlomky skla, porcelánu, kostí, semínka z ovoce), **opatrně je odstraňte**.
5. Prohlédněte prostor pod filtrem a odstraňte případné zbytky jídla. **NIKDY NEODSTRAŇUJTE** ochranu čerpadla mycího cyklu (detail v černé barvě) (obr. 4).



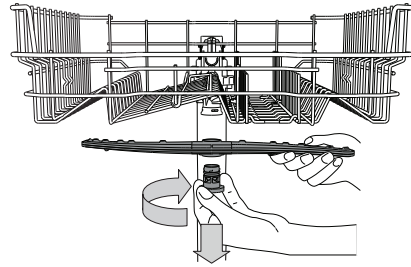
Po vyčištění filtry vraťte na jejich místo a zajistěte je; je to zásadní pro zachování funkčnosti myčky.

## ČIŠTĚNÍ PŘÍVODNÍ HADICE

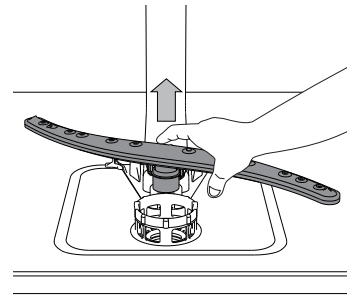
Je-li přívodní hadice nová nebo nebyla-li dlouho používána, propláchněte ji vodou a zkontrolujte, zda neobsahuje nečistoty. Teprve pak proveďte připojení. Nedodržíte-li tento postup, může dojít k ucpaní vstupu vody a poškození myčky.

## ČIŠTĚNÍ OSTŘIKOVACÍCH RAMEN

Někdy se stane, že se do ostřikovačích ramen dostane zbytek jídla a ucpe některou z jeho trysek. Doporučujeme proto občasnou kontrolu ramen a jejich vyčištění malým nekovovým kartáčkem.



Horní ostřikovací rameno sejmete pootočením plastového upevňovacího kroužku ve směru pohybu hodinových ručiček. Horní rameno lze otočit tak, že jeho strana s větším množstvím otvorů směřuje vzhůru.



Spodní ostřikovací rameno lze vyjmout zatažením směrem nahoru.

## SYSTÉM PRO ZMĚKČOVÁNÍ VODY

Změkčovač vody automaticky snižuje tvrdost vody, a zabráňuje tak nahromadění vodního kamene na ohřívачi a přispívá k vyšší účinnosti mytí.



**Tento systém k regeneraci využívá sůl, proto je nutné doplňovat zásobník na sůl, když se vyprázdní.**

Četnost regenerace závisí na nastavení úrovně tvrdosti vody – s úrovní tvrdosti nastavené na **3** probíhá regenerace jednou za **6** Eko cyklů. Regenerační proces se spustí po závěrečném oplachu a dokončí se během sušení před skončením cyklu.

- Spotřeba během jedné regenerace: ~ 3,5 l vody;
- Prodloužení cyklu až o 5 minut;
- Spotřeba méně než 0,005 kWh energie.

# ODSTRAŇOVÁNÍ ZÁVAD

Pokud vaše myčka nádobí nefunguje správně, pokuste se problém vyřešit za pomoci informací uvedených v tomto seznamu. V případě jiných problémů nebo dotazů se obraťte na autorizovaný poprodejní servis, jehož kontaktní údaje najdete v záručním listě. Náhradní díly budou k dispozici po dobu až 7 nebo až 10 let podle konkrétních požadavků nařízení.

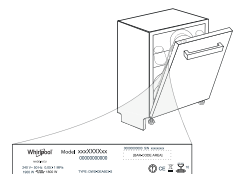
PROBLÉMY	MOŽNÉ PŘÍČINY	ŘEŠENÍ	
 Kontrolka soli svítí	Zásobník na sůl je prázdný. (Kontrolka soli může zůstat svítit po několika mycích cykly po doplnění).	Doplňte do zásobníku sůl (další informace viz strana 2). Nastavte tvrdost vody – viz tabulka, strana 2.	
 Kontrolka leštidla svítí	Zásobník leštidla je prázdný. (Kontrolka leštidla může zůstat svítit po několika mycích cykly po doplnění).	Doplňte do zásobníku leštidlo (další informace viz strana 2).	
Myčka se nespouští nebo nereaguje na povely.	Spotřebič není správně připojen do zásuvky.	Zasuňte zástrčku do zásuvky.	
	Výpadek proudu.	Myčka nádobí se z bezpečnostních důvodů po obnovení napájení znovu automaticky nespustí. Otevřete dvířka myčky, stiskněte tlačítko SPUSTIT/Pauza a poté dvířka do 4 sekund znovu zavřete.	
	Dveře myčky nejsou dobře zavřené. Kolík <i>NaturalDry</i> není zatažen.	Důkladně zavřete dveře, dokud neuslyšíte „cvaknutí“.	
	Cyklus byl přerušen otevřením dveří na více než 4 sekundy.	Stiskněte tlačítko SPUSTIT/Pauza a do 4 sekund zavřete dvířka myčky.	
Myčka nereaguje na povely. Na displeji se zobrazuje: <b>9</b> nebo <b>12</b> a kontrolka „ZAPNOUT/VYPNOUT“ rychle bliká.	Myčka nereaguje na povely. Na displeji se zobrazuje: <b>9</b> nebo <b>12</b> a kontrolka „ZAPNOUT/VYPNOUT“ rychle bliká.	Vypněte spotřebič stisknutím tlačítka „ZAPNOUT/VYPNOUT“ a po cca jedné minutě jej znovu zapněte a restartujte program. Pokud problém přetrvává, spotřebič na 1 minutu odpojte od napájení a poté jej znovu zapojte	
	Myčka nevy pouští vodu. Na displeji se zobrazuje: <b>3</b> a kontrolka „ZAPNOUT/VYPNOUT“ rychle bliká.	Ještě neskončil mycí cyklus. Vypouštěcí hadice je ohnutá. Odpad dřezu je ucpaný. Filtr je ucpaný zbytky jídla.	Počkejte, dokud mycí cyklus neskončí. Zkontrolujte, zda vypouštěcí hadice není ohnutá (viz <b>NÁVOD K INSTALACI</b> ). Vyčistěte odtok dřezu. Vyčistěte filtr (viz <b>ČIŠTĚNÍ SESTAVY FILTRU</b> ).
	Myčka je příliš hlučná.	Nádobí na sebe naráží. Vzniká nadměrné množství pěny.	Nádobí správně rozmístěte (viz <b>PLNĚNÍ KOŠŮ</b> ). Mycí prostředek nebyl správně nadávkován nebo není vhodný pro použití v myčkách nádobí (viz <b>PLNĚNÍ ZÁSOBNÍKU MYCÍHO PROSTŘEDKU</b> ). Restartujte aktuální cyklus vypnutím a opětovným zapnutím myčky. Poté zvolte nový program, stiskněte tlačítko SPUSTIT/Pauza a během 4 sekund zavřete dvířka. Nepřidávejte prosím žádný mycí prostředek.
	Nádobí není umyté.	Nádobí nebylo v myčce správně uspořádáno. Ostříkovačí ramena se nemohou volně otáčet – brání jim nádobí. Mycí cyklus je příliš jemný. Vzniká nadměrné množství pěny. Víčko zásobníku leštidla není dobře uzavřeno. Filtr je znečištěný či ucpaný. Došla sůl.	Nádobí správně rozmístěte (viz <b>PLNĚNÍ KOŠŮ</b> ). Nádobí správně rozmístěte (viz <b>PLNĚNÍ KOŠŮ</b> ). Vyberte vhodný mycí cyklus (viz <b>TABULKA PROGRAMŮ</b> ). Mycí prostředek nebyl správně nadávkován nebo není vhodný pro použití v myčkách nádobí (viz <b>PLNĚNÍ ZÁSOBNÍKU MYCÍHO PROSTŘEDKU</b> ). Přesvědčte se, že je víčko na zásobníku leštidla dobře zavřené. Vyčistěte sestavu filtrů (viz <b>PÉČE A ÚDRŽBA</b> ). Doplňte zásobník na sůl (viz <b>DOPLŇOVÁNÍ ZÁSOBNÍKU NA SŮL</b> ).
Myčka nenapouští vodu. Na displeji se zobrazuje: <b>H, 6</b> a kontrolka „ZAPNOUT/VYPNOUT“ rychle bliká.	V potrubí není voda nebo je uzavřený přívodní ventil.	Zkontrolujte, zda je v potrubí voda a zda je otevřený přívodní ventil.	
	Přívodní hadice je ohnutá. Sítko v přívodní hadici je ucpané; je třeba jej vyčistit.	Zajistěte, aby přívodní hadice nebyla ohnutá (viz <b>INSTALACE</b> ), nastavte nový program a spusťte myčku znovu. Po kontrole a vyčištění vypněte a opět zapněte myčku a spusťte nový program.	
Myčka nádobí ukončila cyklus předčasně. Na displeji se zobrazuje: <b>15</b> a kontrolka „ZAPNOUT/VYPNOUT“ rychle bliká.	Vypouštěcí hadice je umístěna příliš nízkou či dochází k vypouštění do domácího kanalizačního systému.	Zkontrolujte, je-li vypouštěcí hadice umístěna ve správné výšce (viz <b>INSTALACE</b> ). Zkontrolujte, zda nedochází k vypouštění do domácího kanalizačního systému a v případě potřeby nainstalujte vzduchovou klapku.	
	Vzduch v přívodní hadici.	Zkontrolujte, zda z přívodní hadice neuniká voda nebo jestli nevykazuje jiné narušení, které by mohlo způsobovat vnikání vzduchu.	



Návštěvou našeho webu [docs.whirlpool.eu/docs](https://docs.whirlpool.eu/docs) a [parts-selfservice.europeanappliances.com](https://parts-selfservice.europeanappliances.com)

- Návštěvou našeho webu [docs.whirlpool.eu/docs](https://docs.whirlpool.eu/docs) a [parts-selfservice.europeanappliances.com](https://parts-selfservice.europeanappliances.com),
- pomocí naskenování QR kódu,
- případně **kontaktujte náš poprodejní servis** (telefonní číslo najdete v záručním listě). Při kontaktování našeho poprodejního servisu prosím uveďte kódy na identifikačním štítku produktu.

Informace o modelu získáte přes QR kód na energetickém štítku. Na štítku rovněž najdete identifikační číslo modelu, které můžete použít k vyhledávání v rejstříku na portálu <https://eprel.ec.europa.eu>



**400011483000B**

12/2024 ks - Xerox Fabriano





# BEDIENUNGSANLEITUNG GUIDE



**DANKE, DASS SIE SICH FÜR EIN WHIRLPOOL PRODUKT ENTSCHEIDEN HABEN.** Für eine umfassendere Unterstützung melden Sie Ihr Gerät bitte an unter: [www.whirlpool.eu/register](http://www.whirlpool.eu/register)

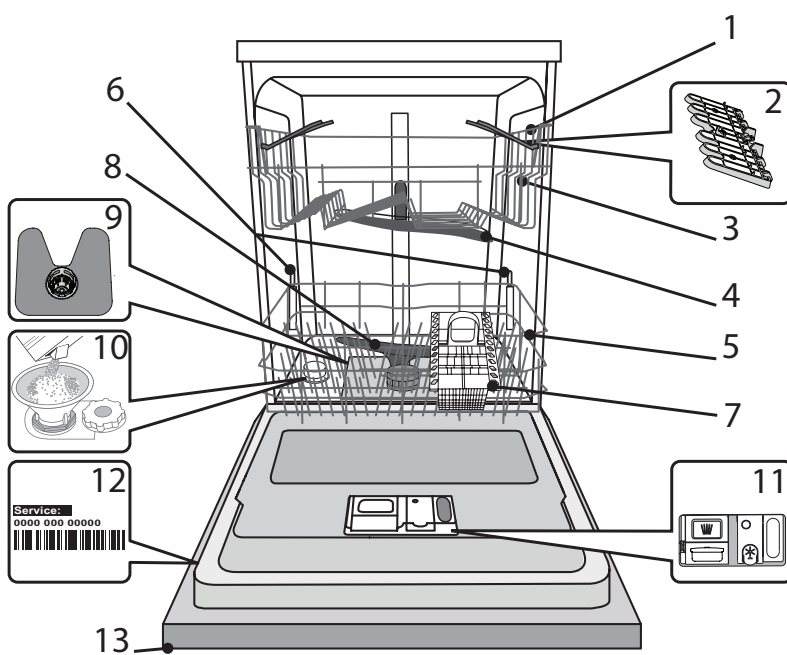


Um die Sicherheitshinweise und die Bedienungsanleitung, herunterzuladen, besuchen Sie unsere Website [docs.whirlpool.eu/docs](http://docs.whirlpool.eu/docs) und befolgen Sie die Anweisungen auf der Rückseite dieser Broschüre.

**Lesen Sie vor Gebrauch des Geräts die Sicherheitshinweise aufmerksam durch.**

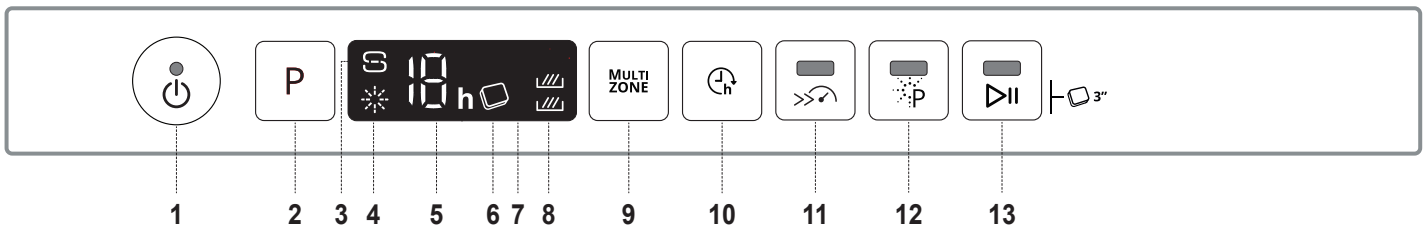
## PRODUKTBE SCHREIBUNG

### GERÄT



1. Oberkorb
2. Faltbare Klappen
3. Oberkorb Höhenversteller
4. Oberer Sprüharm
5. Unterkorb
6. PowerClean® Halterungen
7. Besteckkorb
8. Unterer Sprüharm
9. Filtereinheit
10. Salzbehälter
11. Spülmittel und Klarspülerspender
12. Typenschild
13. Bedienfeld

### BEDIENTAFEL



1. Ein-Aus/Reset Taste mit Anzeigelicht
2. Programmwahl-Taste
3. Anzeigelicht zum Salz auffüllen
4. Anzeigelicht zum Klarspüler auffüllen
5. Programmnummer und Verzögerungszeit-Anzeige
6. Tab Anzeigelicht
7. Anzeige
8. Multizone Anzeigelicht
9. Multizone-Taste
10. Startvorwahl-Taste
11. Turbo-Taste mit Anzeigelicht
12. Power Clean®-Taste mit Anzeigelicht
13. Start/Pause Taste mit Anzeigelicht / Tab

# ERSTER GEBRAUCH

## SALZ, KLARSPÜLER UND SPÜLMITTEL


### HINWEISE ZUR ERSTEN INBETRIEBNAHME

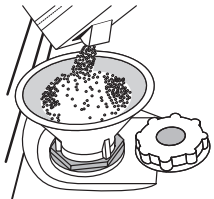
Nach Abschluss der Installation die Puffer an den Körben und die Rückhaltegummis vom oberen Korb entfernen.

### SALZBEHÄLTER BEFÜLLEN

Mit der Verwendung von Salz werden KALKABLAGERUNGEN auf dem Geschirr und den funktionalen Komponenten des Geschirrspülers verhindert.

- **DER SALZBEHÄLTER DARF NIE LEER SEIN!**
- Es ist wichtig, die Wasserhärte einzustellen.

Der Salzbehälter befindet sich im Geschirrspülerboden (siehe *PRODUKTBE-SCHREIBUNG*) und muss aufgefüllt werden, wenn die **SALZNACHFÜLLANZEIGE**  der Bedienblende leuchtet.



1. Ziehen Sie den Unterkorb heraus und schrauben Sie den Salzbehälterdeckel gegen den Uhrzeigersinn ab.
2. **Nur beim ersten Mal: Befüllen Sie den Salzbehälter mit Wasser.**
3. Setzen Sie den Trichter auf (siehe Abbildung) und füllen Sie den Behälter bis zum Rand mit Salz (ca. 1 kg), es ist normal, wenn etwas Wasser ausläuft.
4. Den Trichter abnehmen und die Salzreste vom Öffnungsrand entfernen.

Sicherstellen, dass der Deckel fest angeschraubt ist, so dass kein Spülmittel während dem Waschprogramm in den Behälter gelangt (dies könnte den Wasserenthärter irreparabel beschädigen).

**Immer wenn Sie Salz zugeben müssen, ist es zwingend vorgeschrieben, diesen Vorgang vor dem Beginn des Spülgangs auszuführen, um Korrosion zu vermeiden.**

### WASSERHÄRTE EINSTELLEN

Damit der Wasserenthärter perfekt arbeiten kann, muss die Wasserhärte je nach der aktuellen Wasserhärte in Ihrem Haus eingestellt werden. Diese Information erhalten sie bei Ihrem örtlichen Wasserversorger. Das Werk stellt den Standardwert für die Wasserhärte ein.

- Die Geschirrspülmaschine mit der Taste **EIN/AUS** einschalten.
- Mit der Taste **EIN/AUS** ausschalten.
- Die Taste **P** 5 Sekunden lang gedrückt halten, bis Sie einen Piepton hören.
- Mit der Taste **EIN/AUS** einschalten.
- Die Nummer der aktuell ausgewählten Stufe und die Salznachfüllanzeige blinken.
- Drücken Sie die Taste **P** um die gewünschte Härtestufe auszuwählen (siehe *WASSERHÄRTE-TABELLE*).

Wasserhärte-Tabelle				
Stufe	°dH Deut. Härtegr.	°fH Französischer Härtegr.	°Clark Engl. Härtegr.	
1	Weich	0 - 6	0 - 10	0 - 7
2	Mittel	7 - 11	11 - 20	8 - 14
3	Durchschnittlich	12 - 16	21 - 29	15 - 20
4	Hart	17 - 34	30 - 60	21 - 42
5	Sehr hart	35 - 50	61 - 90	43 - 62

- Mit der Taste **EIN/AUS** ausschalten.

Die Einstellung ist abgeschlossen!

Sobald dieses Verfahren abgeschlossen ist, ein Programm ohne Beladung laufen lassen.


**Verwenden Sie bitte nur Spezzialsalz für Geschirrspüler.**

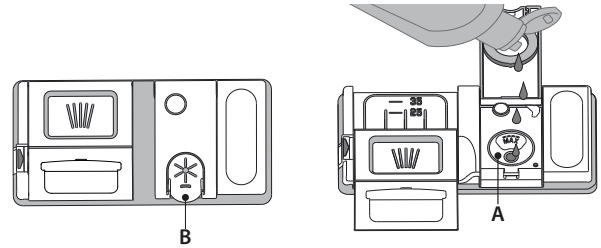
Nach dem Einfüllen des Salzes erlischt die SALZNACHFÜLLANZEIGE.

**Wenn der Salzbehälter nicht gefüllt ist, könnten Kesselsteinablagerungen den Wasserenthärter und das Heizelement beschädigen.**

**Die Verwendung von Salz wird bei jeder Art von Geschirrspülmittel empfohlen.**

### KLARSPÜLERSPENDER AUFFÜLLEN

Klarspüler macht das TROCKNEN von Geschirr einfacher. Der Klarspüler-spender **A** muss aufgefüllt werden, wenn das **KLARSPÜLER AUFFÜLLEN ANZEIGELICHT**  auf der Bedienblende leuchtet.



1. Den Behälter **B** durch Drücken und Anheben der Zunge am Deckel öffnen.
2. Den Klarspüler vorsichtig bis zur maximalen Füllstandsmarkierung (110 ml) an der Füllöffnung einfüllen und ein Überlaufen vermeiden. Andernfalls sofort mit einem trockenen Tuch abwischen.
3. Den Deckel schließen bis er einrastet.

**Füllen Sie den Klarspüler NIEMALS direkt ins Innere des Geschirrspülers.**

### KLARSPÜLERDOSIERUNG

Sollte das Trockenergebnis unzufrieden stellend sein, kann die Klarspülerdosierung neu eingestellt werden.

- Die Geschirrspülmaschine mit der Taste **EIN/AUS** einschalten.
- Mit der Taste **EIN/AUS** ausschalten.
- Drücken Sie die Taste **P** drei Mal - ein Piepton ertönt.
- Mit der Taste **EIN/AUS** einschalten.
- Die Nummer der aktuell ausgewählten Stufe und die Klarspülnachfüllanzeige blinken.
- Drücken Sie die Taste **P**, um den Stand der gelieferten Klarspülermenge auszuwählen.
- Mit der Taste **EIN/AUS** ausschalten.

Die Einstellung ist abgeschlossen!

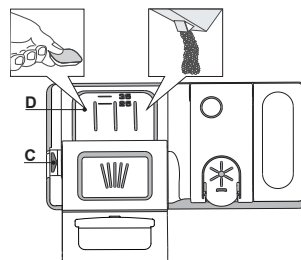
Die Klarspülerstufe kann auf NULL (ECO) eingestellt werden. In diesem Fall wird kein Klarspüler ausgegeben. Die Kontrollleuchte zur ANZEIGE DES FEHLENDEN KLARSPÜLERS leuchtet nicht mehr auf.

Je nach Gerätemodell können bis max. 5 Stufen eingestellt werden. Die Werkseinstellung ist abhängig vom Modell. Bitte befolgen Sie die Anweisungen oben, um dies für Ihr Gerät zu überprüfen.

- Wenn Sie bläuliche Streifen auf dem Geschirr sehen, stellen Sie eine niedrigere Zahl ein (1-2).
- Wenn Wassertropfen oder Kalkablagerungen auf dem Geschirr sind, eine höhere Zahl einstellen (3-4)

### EINFÜLLEN DES SPÜLMITTELS

**Zum Öffnen des Spülmittelbehälters den Öffnungsmechanismus C drücken. Füllen Sie das Spülmittel ausschließlich in das trockene Fach D ein. Die für den Vorspülgang benötigte Spülmittelmenge wird direkt in den Geschirrspüler gegeben.**



1. Hinsichtlich der Dosierung verweisen wir auf die zuvor erwähnte Information, in der die richtige Menge angegeben ist. Im Fach **D** sind Anzeigen die bei der Spülmitteldosierung helfen.
2. Entfernen Sie eventuelle Spülmittelrückstände von den Kanten der Kammern und schließen Sie den Deckel so, dass er einrastet.
3. Schieben Sie den Deckel der Spülmittelkammer zum Schließen nach oben, bis er einrastet.

Die Spülmittelkammer öffnet sich automatisch zum richtigen Zeitpunkt des jeweils gewählten Programms.

Werden Kombispülmittel verwendet, dann empfehlen wir, die Option **TAB** zu verwenden. Damit werden die Programme dem verwendeten Spülmittel angepasst, um das bestmögliche Spülergebnis zu erhalten.

**Die Verwendung von Reinigungsmitteln, die nicht für Geschirrspüler bestimmt sind, kann zu Fehlfunktionen oder Schäden am Gerät führen.**

# PROGRAMMS TABLE

Programm	Trockenphase	NaturalDry	Verfügbare Zusatzfunktionen *)	Programmdauer (Std:Min)**)	Wasserverbrauch (Liter/ Zyklus)	Energieverbrauch (kWh/ Zyklus)
1. Eco ECO 50°	✓	✓		3:10	9,5	0,85
2. 6th Sense® 50-60°	✓	✓	MULTI ZONE >>>	1:25 - 3:00	7,0 - 14,0	0,90 - 1,40
3. Intensiv 65°	✓	✓	MULTI ZONE >>>	2:50	14,0	1,50
4. Schnelles Spülen&Trocknen 50°	✓	✓	MULTI ZONE	1:25	11,5	1,10
5. Kristall 45°	✓	✓	MULTI ZONE	1:40	11,5	1,20
6. Rapid 30' 50°	-	-	MULTI ZONE	0:30	9,0	0,50
7. Nachtspülen 50°	✓	✓		3:30	15,0	1,15
8. Vorwäsche -	-	-	MULTI ZONE	0:12	4,5	0,01

Die ECO-Programmdaten sind Labormessdaten, die gemäß der europäischen Vorschrift EN 60436:2020 erfasst wurden.

Hinweis für die Prüflabors: Informationen hinsichtlich der Bedingungen des EN-Vergleichstests sind unter nachfolgender Adresse anzufordern: [dw\\_test\\_support@europeanappliances.com](mailto:dw_test_support@europeanappliances.com)

Eine Vorbehandlung des Geschirrs ist vor keinem Programm erforderlich.

\*) Nicht alle Optionen können gleichzeitig verwendet werden.

\*\*) Werte, die für andere Programme als das ECO-Programm angegeben werden, sind nur Richtwerte. Die aktuelle Zeit kann auf Grundlage von mehreren Faktoren, wie Temperatur und Druck des eintretenden Wassers, Raumtemperatur, Spülmittelmenge, Menge und Art der Beladung, Lastausgleich, zusätzlich gewählte Optionen und Sensoreichung variieren. Die Sensoreichung kann die Programmdauer bis zu 20 Min. erhöhen.

## PROGRAMMBESCHREIBUNG

### Anweisungen bezüglich der Auswahl des Waschzyklus.

#### 1 ECO

Das ECO-Programm eignet sich, um normal verschmutztes Geschirr zu reinigen. In Bezug auf den kombinierten Energie- und Wasserverbrauch ist es das effizienteste Programm, das auch zur Prüfung der Einhaltung der Ökodesign-Richtlinie verwendet wird.

#### 2 6th SENSE®

Für normal verschmutztes Geschirr mit trockenen Speiseresten. Erfasst den Grad der Verschmutzung auf dem Geschirr und passt das Programm entsprechend an. Wenn der Sensor den Grad der Verschmutzung erfasst, wird im Display eine Animation angezeigt und die Programmdauer wird aktualisiert.

#### 3 INTENSIV

Programm empfohlen für stark verschmutztes Geschirr, besonders Töpfe und Pfannen (nicht für empfindliche Teile verwenden).

#### 4 SCHNELLES SPÜLEN&TROCKNEN

Normal verschmutztes Geschirr. Täglicher Zyklus, der optimale Reinigungs- und Trockenleistung in kürzester Zeit garantiert.

#### 5 KRISTALL

Programm für empfindliches Geschirr, das empfindlicher auf hohe Temperaturen ist, zum Beispiel Gläser und Becher.

#### 6 RAPID 30'

Programm ideal für eine halbe Beladung mit leicht verschmutztem Geschirr ohne getrocknete Speisereste. Hat keine Trocknungsphase.

#### 7 NACHTSPÜLEN

Geeignet für den Nachtbetrieb des Gerätes. Garantiert optimale Reinigungs- und Trockenleistung bei niedrigstem Lärmpegel.

#### 8 VORWÄSCHE

Verwendet, um Geschirr einzuweichen, das später gespült werden soll. Für dieses Programm wird kein Spülmittel verwendet.

#### Notes:

Bitte beachten Sie, dass das Programm Rapid 30' für leicht verschmutztes Geschirr geeignet ist.

# OPTIONEN UND FUNKTIONEN

OPTIONEN kann direkt durch Drücken der entsprechenden Taste ausgewählt werden (siehe *BEDIENBLENDE*).

**Wenn eine Option nicht mit dem ausgewählten Programm kompatibel ist (siehe *PROGRAMMTABELLE*), blinken die entsprechenden LED 3 Mal schnell und ein Piepton ertönt. Die Option wird nicht aktiviert.**

## MULTI ZONE MULTIZONE

Haben Sie nur wenig Geschirr zu spülen, wählen Sie den Spülgang Halbe Füllung. Sie sparen Wasser, Strom und Spülmittel.

Wählen Sie das Programm und drücken Sie dann die Taste MULTIZONE: das Symbol des gewählten Korbes erscheint auf dem Display. Standardmäßig wäscht das Gerät das Geschirr in allen Körben.

Drücken Sie diese Taste wiederholt, um nur einen bestimmten Korb zu spülen:



gezeigt auf dem Display (nur Unterkorb)



gezeigt auf dem Display (nur Oberkorb)



gezeigt auf dem Display (Option ist AUS und das Gerät wäscht Geschirr in allen Körben).

**Denken Sie daran, nur den Ober- oder Unterkorb zu füllen, und die Menge an Spülmittel entsprechend zu reduzieren.**

**Wenn der oberen Korb herausgenommen wird, gießen Sie das Reinigungsmittel bitte direkt in die Wanne statt in den Waschmittelspender..**



## STARTVORWAHL

Die Programmstartzeit kann um eine Zeit von 1 bis 12 Stunden verzögert werden.

1. Drücken Sie die Taste STARTVORWAHL: Das entsprechende Symbol «h» erscheint auf dem Display; bei jedem Drücken der Taste, erhöht sich die Zeit (1 Std., 2 Std., usw. bis zu max. 12 Std.) ab dem Start des ausgewählten Spülprogramms.
2. Wählen Sie das Waschprogramm, drücken Sie die Taste START/Pause-Taste und schließen Sie die Tür innerhalb von 4 Sekunden: die Zeitschaltuhr beginnt mit der Rückzählung.
3. Nach Ablauf dieser Zeit, schaltet sich das Anzeigelicht «h» aus und das Programm beginnt automatisch.

Um die Startverzögerung anzupassen und eine kürzere Dauer auszuwählen, die Taste STARTVORWAHL drücken. Um abzubrechen, die Taste wiederholt drücken, bis das ausgewählte Startverzögerung-Anzeigelicht «h» aus geht. Das Spülprogramm startet automatisch sobald die Tür geschlossen wird.

**Bei bereits in Gang gesetztem Programm ist eine Startzeitvorwahl nicht mehr möglich.**



## TURBO

Diese Option kann verwendet werden um die Dauer der Hauptprogramme zu reduzieren, unter Beibehaltung derselben Spül- und Trockenleistungsgrade.

Nach der Auswahl des Programms, drücken Sie die TURBO-Taste und das Anzeigelicht leuchtet auf. Durch erneuten Druck auf die Taste wird die Option deaktiviert.



## POWER CLEAN®

Mit den zusätzlichen Powerdüsen bietet diese Option im dafür vorgesehenen Bereich im Unterkorb einen intensiveren und stärkeren Spülvorgang. Diese Zusatzfunktion ist ideal zum Reinigen von Töpfen und Brättern. Drücken Sie diese Taste, um Power Clean zu aktivieren (die Anzeige leuchtet auf).



## TAB

Diese Einstellung erlaubt, die Spülleistung des Programms je nach verwendetem Spülmitteltyp zu optimieren.

Drücken Sie die Start/Pause-Taste 3 Sekunden lang (das entsprechende Symbol leuchtet), wenn Sie kombinierte Spülmittel in Tablettenform verwenden (Klarspüler, Regeneriersalz und Spülmittel in 1 Dosierung).

**Wenn Sie Pulver oder Flüssigspülmittel verwenden, muss diese Option ausgeschaltet sein.**

## NaturalDry

*NaturalDry* ist ein Heißlufttrocknungssystem, das die Tür während/ nach der Trockenphase automatisch öffnet, um täglich hervorragende Trockenleistung sicherzustellen. Die Tür öffnet sich bei einer für Ihre Küchenmöbel sicheren Temperatur, daher wird die Tür nicht geöffnet, wenn die Option TURBO eingeschaltet ist.

Als zusätzlicher Dampfschutz wird dem Geschirrspüler eine speziell entwickelte Schutzfolie beigelegt. Für die Montage der Schutzfolie siehe (INSTALLATIONSANLEITUNG).

Die *NaturalDry*-Funktion könnte wie folgt durch den Benutzer deaktiviert werden:

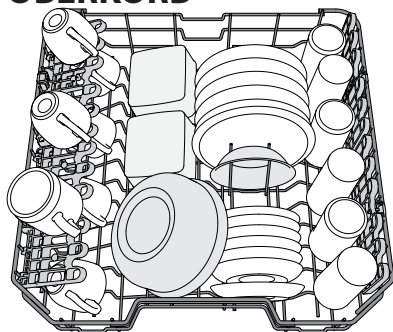
1. Rufen Sie das Geschirrspüler-Softwaremenü durch Drücken und Halten der Taste "P" auf (6 Sek.).
2. Sie haben auf das Menü *NaturalDry*-Steuerung umgeschaltet. Sie können nun durch Drücken der Taste "P" den Status der *NaturalDry*-Funktion ändern:

**E** – aktiv                      **d** – nicht aktiv

Zum Bestätigen der Änderung und Verlassen des Steuermenüs drücken und halten Sie die Taste "P" (3 Sek.).

# KÖRBE BELADEN

## OBERKORB



(Sortierbeispiel für den Oberkorb)

Hier sortieren Sie empfindliches und leichtes Geschirr ein: Gläser, Tassen, kleine Teller, flache Schüsseln.

## HÖHENEINSTELLUNG DES OBERKORBES

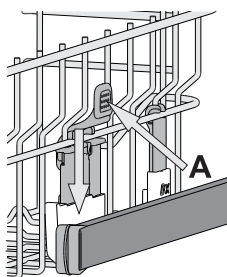
Der Oberkorb kann in der Höhe verstellt werden: stellen Sie ihn in die oberste Position, wenn Sie großes Geschirr in den Unterkorb einräumen wollen. Wenn Sie eher die klappbaren Bereiche nutzen wollen, dann stellen Sie ihn in die untere Position. Somit vermeiden Sie Zusammenstoßen mit dem Geschirr im Unterkorb. Der Oberkorb ist mit einem **Oberkorb Höhenversteller** (siehe Abbildung) ausgestattet.

Ohne Drücken der Hebel kann er einfach durch Heben der Korbseiten angehoben werden, sobald der Korb stabil in seiner unteren Stellung ist.

Um den Korb zurück in die untere Stellung zu bringen, drücken Sie die Hebel **A** an den Seiten des Korbs und schieben Sie ihn nach unten.

**Es empfiehlt sich, die Höhe des Oberkorbes bei leerem Korb zu regulieren.**

**Heben oder senken Sie den Korb NIEMALS nur an einer Seite.**

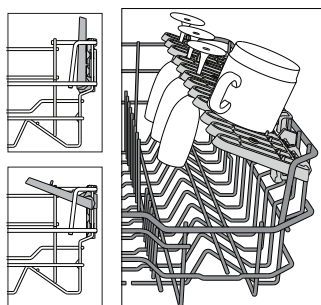


## KLAPPBARE KLAPPEN MIT VERSTELLBARER POSITION

Die seitlich, klappbaren Ablagen können ein- oder aufgeklappt werden, um die Anordnung des Geschirrs im Korb zu optimieren. Stielgläser können an den Ablagen stabilisiert werden, indem sie mit dem Stiel in die vorgesehene Aussparung gestellt werden.

Je nach Modell:

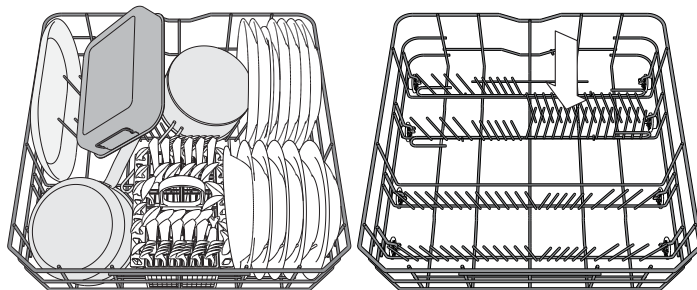
- Zum Ausklappen der Ablagen, müssen diese nach oben geschoben und gedreht oder aus den Schnappern gelöst und nach unten gezogen werden.
- Zum Einklappen der Ablagen, müssen diese gedreht und nach unten geschoben oder nach oben gezogen und an den Schnappern befestigt werden.



## UNTERKORB

Für Töpfe, Deckel, Teller, Salatschüsseln, Besteck usw. Große Teller und Deckel sollten idealerweise an die Seiten gelegt werden, um nicht mit dem Sprüharm in Kontakt zu kommen.

Der Unterkorb verfügt über klappbare Ablagen, die in vertikaler Stellung für Teller oder in horizontaler (niedriger) Position für Pfannen und Salatschüsseln verwendet werden können.

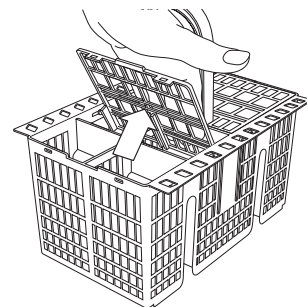


(Sortierbeispiel für den Unterkorb)

## BESTECKKORB

Er ist oben mit Gittern versehen, um das Besteck besser einzuordnen. Er darf nur im vorderen Teil des unteren Korbes eingesetzt werden.

**Messer und andere Küchenutensilien mit scharfen Spitzen sind mit nach unten gerichteten Spitzen in den Besteckkorb einzuordnen oder waagrecht auf die Ablagen des oberen Geschirrkorbs zu legen.**

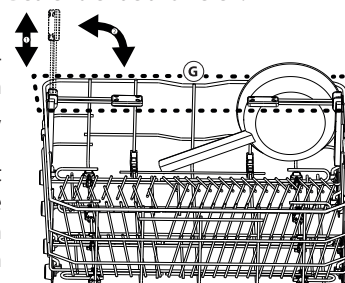
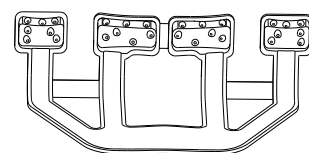


## POWER CLEAN IM UNTERKORB®

Bei Power Clean® sorgen spezielle Wasserdüsen hinten im Gerät für eine verstärkte Reinigung von stark verschmutztem Geschirr. Der Unterkorb hat eine Raumzone, eine spezielle Halterung zum Herausziehen an der Korbhinterseite, welche benutzt werden kann um Pfannen oder Backbleche in senkrechter Position zu halten, und so weniger Raum zu beanspruchen. Wenn die Töpfe/Bräter in Richtung Power Clean® eingelegt werden, bitte **POWER CLEAN** auf der Bedienblende aktivieren.

Verwendung von Power Clean®:

1. Passen Sie Power Clean®-Bereich G an, indem Sie die hinteren Tellerhalterungen herunterklappen, um Töpfe einzuladen.
2. Laden Sie Töpfe und Bräter senkrecht im Power Clean®-Bereich ein. Die Töpfe müssen mit der offenen Seite zu den Power-Sprühdüsen geneigt sein.



# TÄGLICHER GEBRAUCH

## 1. ANSCHLUSS AN DIE WASSERLEITUNG PRÜFEN

Sicherstellen, dass der Geschirrspüler an die Wasserleitung angeschlossen und der Wasserhahn auf ist.

## 2. SCHALTEN SIE DEN GESCHIRRSPÜLER EIN

Tür öffnen und **EIN-/AUS**-Taste drücken.

## 3. KÖRBE BELADEN

(siehe **KÖRBE BELADEN**)

## 4. EINFÜLLEN DES SPÜLMITTELS

## 5. PROGRAMM WÄHLEN UND DAS PROGRAMM ANPASSEN

Das am besten geeignete Programm je nach Besteckart und Verschmutzungsgrad auswählen (siehe **PROGRAMMBESCHREIBUNG**) durch Drücken der Taste **P**. Die gewünschten Optionen auswählen (siehe **OPTIONEN UND FUNKTIONEN**).

## 6. START

Starten Sie das Spülprogramm mit der Taste **START/Pause** (LED leuchtet) und schließen Sie die Tür innerhalb von 4 Sek. Bei Programmstart ertönt ein einzelner Piepton. Wenn die Tür nicht innerhalb von 4 Sek. geschlossen wurde, ertönt der akustische Alarm. Öffnen Sie in diesem Fall die Tür, drücken Sie die Taste **START/Pause** und schließen Sie die Tür erneut innerhalb von 4 Sekunden.

## 7. ENDE DES SPÜLPROGRAMMS

Das Ende des Spülvorgangs wird durch Pieptöne und das Blinken der Programmnummer auf dem Display angezeigt. Die Tür öffnen und das Gerät mit der **EIN/AUS**-Taste ausschalten.

Vor Entnahme des Bestecks einige Minuten warten - um Verbrennungen zu vermeiden. Die Körbe entladen, mit dem Unteren beginnen.

Die Maschine schaltet sich automatisch während bestimmter überschrittener Zeiten der Inaktivität aus, um den Stromverbrauch zu reduzieren. Für nur leicht verschmutztes Geschirr, oder für Geschirr, das vorher unter laufendem Wasser abgespült wurde, kann die Spülmittelmenge erheblich reduziert werden.

## EIN LAUFENDES PROGRAMM ÄNDERN

Wenn ein falsches Programm ausgewählt wurde, kann es geändert werden, wenn es gerade erst gestartet wurde: die Tür öffnen, die **EIN-/AUS**-Taste drücken und gedrückt halten, um die Maschine auszuschalten.

Die Maschine mit der **EIN-/AUS**-Taste wieder einschalten und das neue Spülprogramm und die gewünschten Optionen auswählen; das Spülprogramm durch Drücken der Taste **START/Pause** starten und innerhalb von 4 Sek. die Tür schließen.

## HINZUFÜGEN VON WEITEREM GESCHIRR

Ohne die Maschine auszuschalten, die Tür öffnen (**START/Pause** LED beginnt zu blinken) (**Vorsicht HEISSER Dampf!**) und das Geschirr in den Geschirrspüler geben. Die Taste **START/Pause** drücken und innerhalb von 4 Sek. die Tür schließen; das Programm läuft automatisch weiter, wo es unterbrochen wurde.

## VERSEHENTLICHE UNTERBRECHUNGEN

Wird während des Spülgangs die Gerätetür geöffnet, oder sollte ein Stromausfall stattfinden, wird der Spülgang unterbrochen. Damit das Programm wieder an dem Punkt startet, an dem es unterbrochen wurde, die Taste **START/Pause** drücken und innerhalb von 4 Sek. die Tür schließen.

# HINWEISE UND TIPPS

## EMPFEHLUNGEN

Bevor Sie das Geschirr in den Geschirrspüler einräumen, befreien Sie es von Speiserückständen und entleeren Sie Gläser und Behälter von Flüssigkeitsresten. **Es ist nicht notwendig, das Geschirr unter fließendem Wasser vorzuspülen.**

Stellen Sie das Geschirr so ein, dass es fest steht und nicht umfallen kann. Behälter müssen mit der Öffnung nach unten eingestellt werden und hohle oder gewölbte Teile müssen schräg stehen, damit das Wasser alle Oberflächen erreicht und dann abfließen kann.

**Achtung :** Achten Sie darauf, dass Deckel, Griffe, Töpfe und Tablett die Drehung der Sprüharme nicht behindern. Stellen Sie kleine Gegenstände in den Besteckkorb. Stark verschmutztes Geschirr und Töpfe sollten in dem Unterkorb untergebracht werden, da in diesem Bereich die Wasserstrahlen stärker sind und eine höhere Spüleleistung garantieren. Stellen Sie nach Einräumen des Geschirrs sicher, dass sich die Sprüharme frei bewegen können.

## UNGEEIGNETES GESCHIRR

- Besteck und Geschirr aus Holz.
- Empfindliche Dekorgläser, handgemachte Teller und antikes Geschirr. Die Dekore sind nicht spülmaschinenfest.
- Nicht temperaturbeständige Kunststoffteile.
- Geschirr aus Kupfer und Zinn.
- Mit Asche, Wachs, Schmieröl oder Tinte verschmutztes Geschirr. Glasdekore, Aluminium- und Silberteile können während des Spülgangs die Farbe verändern und ausbleichen. Auch einige Glasarten (z.B. Kristallgegenstände) können nach mehreren Spülgängen matt werden.

## SCHÄDEN AN GLAS UND GESCHIRR

- Spülen Sie nur Gläser und Geschirr in Ihrem Geschirrspüler, die vom Hersteller als spülmaschinenfest ausgezeichnet sind.
- Verwenden Sie ein Feinspülmittel für Geschirr.
- Nehmen Sie Gläser und Besteck so bald wie möglich nach Ablauf des Programms aus der Spülmaschine.

## ENERGIESPARTIPPS

- Sofern man die Herstelleranweisungen beim Einsatz beachtet, **verbraucht das Waschen von Geschirr im Geschirrspüler in der Regel WENIGER ENERGIE und Wasser als Handspülen.**
- Um die Effizienz des Geschirrspülers zu maximieren, empfiehlt es sich, **das Spülprogramm bei voll beladenem Gerät zu starten.** Wenn der Geschirrspüler bis zur vom Hersteller angegebenen Kapazität beladen wird, hilft dies, Energie und Wasser zu sparen. Angaben über die korrekte Beladung von Geschirr finden Sie im Kapitel **BELADEN DER KÖRBE**. Bei Teilbeladung empfiehlt es sich, die speziellen Spülprogramme (Halbe Beladung / Zone Wash / Multizone) zu verwenden und nur die entsprechenden Körbe zu beladen. Bei einer fehlerhaften Beladung oder Überladung des Geschirrspülers könnten mehr Ressourcen verbraucht (z. B. Wasser, Energie und Zeit), der Geräuschpegel erhöht und die Reinigungs- und Trocknungsleistung verringert werden.
- Das manuelle Vorspülen von Geschirr führt zu erhöhtem Wasser- und Energieverbrauch und wird nicht empfohlen.

## HYGIENE

Um Gerüche und Ablagerung, die sich in dem Geschirrspüler ansetzen können zu vermeiden, **bitte mindestens einmal monatlich ein Hochtemperaturprogramm laufen lassen.** Einen Teelöffel Spülmittel verwenden und ohne Geschirr laufen lassen, um Ihr Gerät zu reinigen.

# PFLEGE UND WARTUNG

## REINIGUNG DER FILTEREINHEIT

Die Filtereinheit regelmäßig reinigen, damit die Filter nicht verstopfen und das Abwasser korrekt abfließen kann.

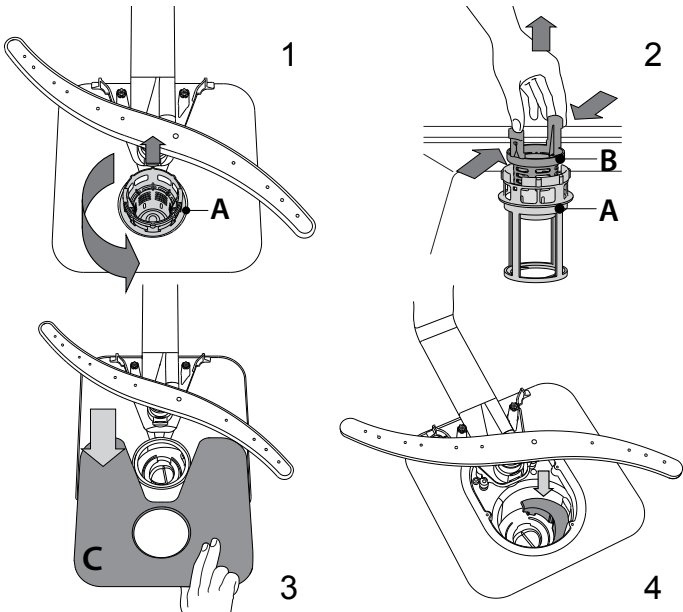
Wenn die Filter beim Einsatz des Geschirrspülers verstopft sind oder falls Fremdkörper im Filtersystem oder in den Spülarmen gelangen, könnten Störungen im Gerät auftreten, was zu Leistungseinbußen, lautem Betrieb oder höherer Ressourcennutzung führt.

Die Filtereinheit setzt sich aus drei Filtern zusammen, die Spülwasser reinigen, von Speiseresten befreien und wieder in Umlauf bringen.

**Der Geschirrspüler darf nie ohne Filtersiebe oder mit ausgehängten Filtern in Betrieb genommen werden.**

Kontrollieren Sie einmal monatlich oder nach 30 Zyklen die Filtersiebgruppe. Bei Bedarf ist diese sorgfältig unter laufendem Wasser auszuspülen. Nehmen Sie hierzu ein kleines Bürstchen (das nicht aus Metall sein darf) zu Hilfe. Gehen Sie wie folgt vor:

1. Drehen Sie das zylinderförmige Filtersieb **A** gegen den Uhrzeigersinn heraus (Abb. 1).
2. Ziehen Sie den Siebbecher **B** durch leichten Druck auf die seitlichen Flügel heraus (Abb. 2).
3. Nehmen Sie den Stahl-Siebteller **C** ab (Abb. 3).
4. Falls Sie Fremdkörper (wie Glasscherben, Porzellan, Knochen, Früchtsamen usw.) finden, **entfernen Sie diese bitte sorgfältig**.
5. Kontrollieren Sie den Hohlraum und befreien Sie diesen von eventuellen Speiseresten. Das Spülpumpenschutzteil (schwarzes Teil) **NICHT ABGENOMMEN WERDEN** (Abb. 4).



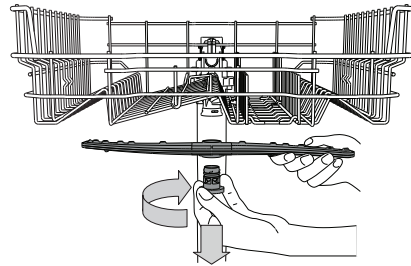
Setzen Sie die Filtereinheit nach der Reinigung der Filtersiebe wieder korrekt in ihren Sitz ein, dies ist äußerst wichtig, um eine ordnungsgemäße Betriebsweise des Geschirrspülers zu gewährleisten.

## WASSERZULAUFSCHLAUCH REINIGEN

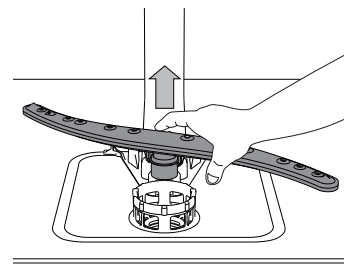
Wenn der Wasserschlauch neu ist oder für längere Zeit nicht in Betrieb war, das Warmwasser laufen lassen, um sicherzustellen, dass es klar und frei von Verschmutzungen ist, bevor die erforderlichen Anschlüsse vorgenommen werden. Bei Nichtbeachtung dieser Vorsichtsmaßnahme, kann die Wasserzufuhr blockieren und den Geschirrspüler beschädigen.

## REINIGUNG DER SPRÜHARME

Es kann vorkommen, dass Speisereste an den Sprüharmen hängen bleiben und die Wasserdüsen verstopfen. Prüfen Sie die Sprüharme daher regelmäßig und reinigen Sie sie bei Bedarf mit einer Kunststoffbürste.



Zur Abnahme des oberen Sprüharms drehen Sie den Kunststoffring im Uhrzeigersinn ab. Der obere Sprüharm ist mit jener Seite nach oben wieder einzusetzen, die die meisten Löcher aufweist.



Um den unteren Sprüharm abzunehmen, ihn nach oben ziehen.

## WASSERENTHÄRTUNG

Der Wasserenthärter reduziert automatisch die Wasserhärte, verhindert Kesselsteinablagerungen am Heizelement und trägt somit zu einer höheren Reinigungsleistung bei.

**Dieses System regeneriert sich mit Salz, daher ist es erforderlich, Salz in den Behälter zu füllen, wenn dieser leer ist.**

Die Regenerierungshäufigkeit hängt von eingestellter Stufe für die Wasserhärte ab - die Regenerierung findet einmal alle 6 Eco-Zyklen bei Wasserhärte auf 3 statt.

Der Regenerationsprozess beginnt in der Endspülung und endet in der Trocknungsphase, bevor der Zyklus endet.

- Eine einzelne Regeneration verbraucht: ~3,5 l Wasser;
- Das Programm dauert bis zu 5 Minuten länger;
- Energieverbrauch unter 0,005 kWh.

# LÖSEN VON PROBLEMEN

Falls Ihr Geschirrspüler nicht richtig funktioniert, versuchen Sie, das Problem anhand der folgenden Liste zu beheben. Für andere Fehler oder Probleme wenden Sie sich bitte an den autorisierten Kundendienst, dessen Kontaktdaten im Garantieheft aufgeführt sind. Ersatzteile werden für einen Zeitraum von entweder bis zu 7 oder bis zu 10 Jahren verfügbar sein, je nach den spezifischen Anforderungen der Verordnung.

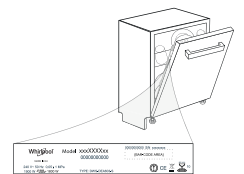
STÖRUNGEN	MÖGLICHE URSACHEN	LÖSUNG
Salzanzeige leuchtet	Salzbehälter leer. (Es kann nach dem Auffüllen einige Spülvorgänge dauern, bis die Salzanzeige erlischt).	Befüllen Sie den Behälter mit Salz (weitere Informationen – siehe Seite 2). Stellen Sie die Wasserhärte ein – siehe Tabelle, Seite 2.
Klarspüleranzeige leuchtet	Klarspülbehälter leer. (Es kann nach dem Auffüllen einige Spülvorgänge dauern, bis die Klarspüleranzeige erlischt).	Befüllen Sie den Behälter mit Klarspüler (weitere Informationen – siehe Seite 2).
Die Spülmaschine startet nicht oder reagiert nicht auf die Bedienungseingaben.	Das Gerät wurde nicht richtig eingesteckt.	Schließen Sie den Netzstecker an.
	Stromausfall.	Aus Sicherheitsgründen wird die Spülmaschine nicht automatisch neu gestartet, wenn die Stromversorgung wiederhergestellt wird. Öffnen Sie die Tür des Geschirrspülers, drücken Sie die Taste START/Pause und schließen Sie die Tür erneut innerhalb von 4 Sekunden.
	Die Gerätetür schließt nicht. NaturalDry Pin ist nicht eingezogen.	Drücken Sie die Tür energisch, bis ein „Klicklaut“ zu hören ist.
	Der Spülgang wird durch Öffnen der Tür für > 4 Sekunden unterbrochen.	Drücken Sie die Taste START/Pause und schließen Sie die Tür erneut innerhalb von 4 Sekunden.
Das Gerät reagiert nicht auf Bedienungseingaben. Das Display zeigt: <b>9</b> oder <b>12</b> und die LED EIN/AUS blinken rasch.	Das Gerät reagiert nicht auf Bedienungseingaben. Das Display zeigt: <b>9</b> oder <b>12</b> und die LED EIN/AUS blinken rasch.	Schalten Sie das Gerät durch das Drücken der <b>EIN/AUS</b> -Taste aus und nach etwa einer Minute wieder ein und starten Sie das Programm neu. Wenn das Problem weiterhin besteht, ziehen Sie den Stecker des Geräts für 1 Minute ab und stecken Sie ihn dann wieder ein.
	Das Spülprogramm ist noch nicht ganz abgelaufen.	Warten Sie, bis das Programm beendet ist.
Der Geschirrspüler pumpt das Wasser nicht ab. Das Display zeigt: <b>3</b> und die LED EIN/AUS blinken rasch.	Der Ablaufschlauch ist geknickt.	Prüfen Sie, dass der Ablaufschlauch nicht geknickt ist ( <i>siehe INSTALLATIONSANWEISUNGEN</i> ).
	Der Ablauf des Spülbeckens ist verstopft.	Den Ablauf des Spülbeckens reinigen.
Der Geschirrspüler ist zu laut.	Im Filtersieb haben sich Speisereste angesammelt.	Den Filter reinigen ( <i>siehe REINIGUNG DER FILTEREINHEIT</i> ).
	Das Geschirr schlägt aneinander.	Positionieren Sie das Geschirr korrekt ( <i>siehe KÖRBE BELADEN</i> ).
Das Geschirr ist nicht sauber geworden.	Es hat sich zu viel Schaum gebildet.	Das Spülmittel wurde nicht richtig dosiert oder ist für Geschirrspüler ungeeignet ( <i>siehe EINFÜLLEN DES SPÜLMITTELS</i> ). Starten Sie das laufende Programm durch Ausschalten des Geschirrspülers neu. Schalten Sie das Gerät wieder ein, wählen Sie ein neues Programm, drücken Sie START/Pause und schließen Sie die Tür innerhalb von 4 Sekunden. Kein Spülmittel zufügen.
	Das Geschirr wurde nicht korrekt eingeräumt.	Positionieren Sie das Geschirr korrekt ( <i>siehe KÖRBE BELADEN</i> ).
	Die Sprüharme können nicht frei drehen, werden durch das Geschirr blockiert.	Positionieren Sie das Geschirr korrekt ( <i>siehe KÖRBE BELADEN</i> ).
	Das Spülprogramm ist zu schwach.	Ein geeignetes Spülprogramm wählen ( <i>siehe PROGRAMMTABELLE</i> ).
	Es hat sich zu viel Schaum gebildet.	Das Spülmittel wurde nicht richtig dosiert oder ist für Geschirrspüler ungeeignet ( <i>siehe EINFÜLLEN DES SPÜLMITTELS</i> ).
	Der Stöpsel des Klarspülerbehälters wurde nicht korrekt geschlossen.	Sicherstellen, dass der Stöpsel des Klarspülerbehälters geschlossen ist.
Der Geschirrspüler lädt kein Wasser. Das Display zeigt: <b>H</b> , <b>6</b> und die LED EIN/AUS blinken rasch.	Das Filtersieb ist schmutzig oder verstopft.	Die Filtereinheit reinigen ( <i>siehe PFLEGE UND WARTUNG</i> ).
	Fehlendes Regeneriersalz.	Füllen Sie den Salzbehälter ( <i>siehe SALZBEHÄLTER BEFÜLLEN</i> ).
	Kein Wasser im Wassernetz oder zugezogener Wasserhahn.	Sicherstellen, dass Wasser im Wassernetz ist oder der Wasserhahn läuft.
Der Geschirrspüler beendet frühzeitig das Programm. Das Display zeigt: <b>15</b> und die LED EIN/AUS blinken rasch.	Geknickter Zulaufschlauch.	Sicherstellen, dass der Zulaufschlauch nicht geknickt ist ( <i>siehe INSTALLATION</i> ), den Geschirrspüler neu programmieren und wieder einschalten.
	Sieb im Zulaufschlauch verstopft; es muss gereinigt werden.	Nach der Überprüfung und Reinigung, den Geschirrspüler ausschalten und ein neues Programm starten.
Der Geschirrspüler beendet frühzeitig das Programm. Das Display zeigt: <b>15</b> und die LED EIN/AUS blinken rasch.	Abflussschlauch zu niedrig positioniert oder Wasser vom Abwassersystem angesaugt.	Kontrollieren Sie, ob das Ende des Abflussschlauches auf der korrekten Höhe positioniert ist ( <i>siehe INSTALLATION</i> ). Kontrollieren Sie, ob Wasser in das Abwassersystem angesaugt wird, installieren ggf. ein Belüftungsventil.
	Luft in der Wasserversorgung.	Kontrollieren Sie die Wasserversorgung auf Lecks oder andere Probleme, die einen Lufteintritt verursachen.



## Firmenrichtlinien, Standarddokumentation, Ersatzteilbestellung und zusätzliche Produktinformationen finden Sie unter:

- Besuchen Sie unsere Website [docs.whirlpool.eu/docs](https://docs.whirlpool.eu/docs) und [parts-selfservice.europeanappliances.com](https://parts-selfservice.europeanappliances.com)
- Verwenden Sie den QR-Code
- Alternativ können Sie **unseren Kundendienst kontaktieren** (Siehe Telefonnummer in dem Garantieheft). Wird unser Kundendienst kontaktiert, bitte die Codes auf dem Typenschild des Produkts angeben.

Die Modellinformation ist über den QR-Code auf der Energieverbrauchskennzeichnung aufrufbar. **400011483000B**  
Die Kennzeichnung enthält auch die Modellnummer, die den Zugang zum Verzeichnisportal unter <https://eprel.ec.europa.eu> ermöglicht.





# GUIDE D'UTILISATION QUOTIDIENNE

## D'UTILISATION QUOTIDIENNE



**MERCI D'AVOIR CHOISI UN PRODUIT WHIRLPOOL.**  
Afin de recevoir une assistance plus complète,  
merci d'enregistrer votre appareil sur:  
[www.whirlpool.eu/register](http://www.whirlpool.eu/register)

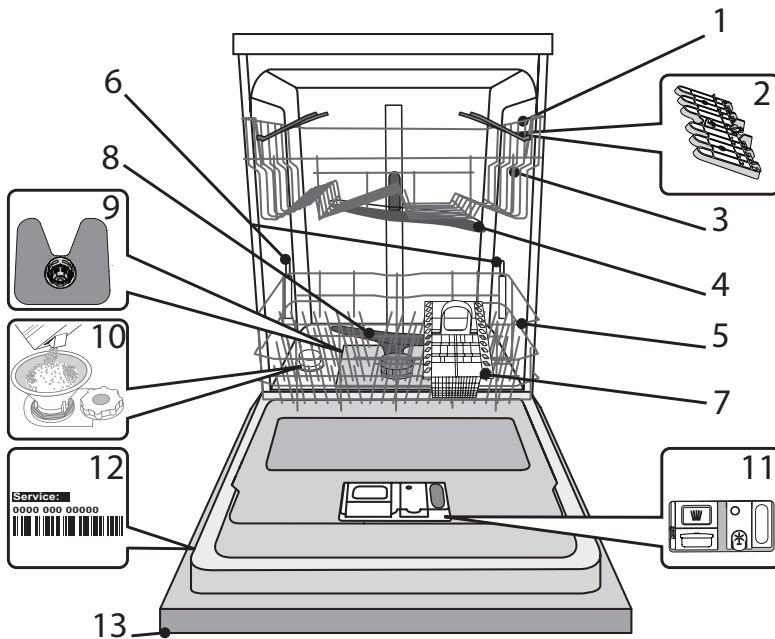


Vous pouvez télécharger les Consignes de sécurité et le Manuel de l'utilisateur, en visitant notre site Internet [docs.whirlpool.eu/docs](http://docs.whirlpool.eu/docs) et en suivant les instructions figurant au verso du présent fascicule.

**Avant d'utiliser l'appareil, lisez attentivement les Consignes de sécurité.**

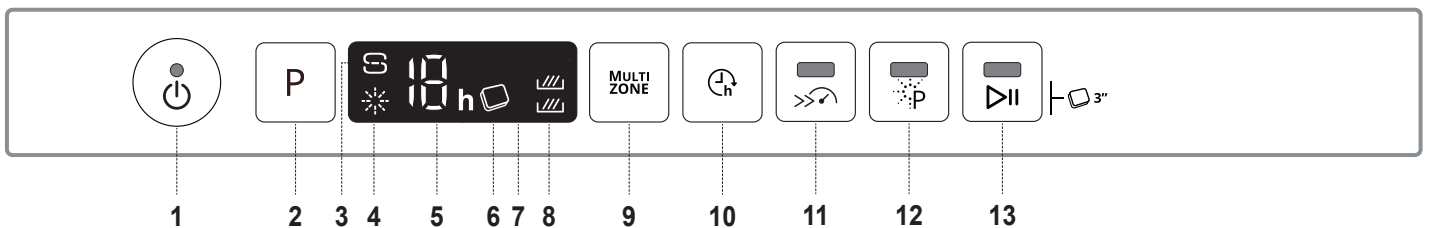
## DESCRIPTION DU PRODUIT

### APPAREIL



1. Panier supérieur
2. Volets pliables
3. Bouton de réglage de la hauteur du panier supérieur
4. Bras d'aspersion supérieur
5. Panier inférieur
6. Supports PowerClean®
7. Panier à couvert
8. Bras d'aspersion inférieur
9. Ensemble filtre
10. Réservoir à sel
11. Distributeurs de détergent et liquide de rinçage
12. Plaque signalétique
13. Panneau de commande

### PANNEAU DE COMMANDE



1. Touche Marche-Arrêt/Réinitialisation avec le voyant
2. Sélecteur de programme
3. Voyant de niveau de sel
4. Voyant de niveau de liquide de rinçage
5. Voyant pour le numéro du programme et le retard réglage
6. Voyant Pastille
7. Affichage
8. Voyant Multizone
9. Touche Multizone
10. Touche Différé
11. Touche Turbo avec le voyant
12. Touche Power Clean® avec le voyant
13. Touche Départ/Pause avec le voyant / Pastille

# PREMIÈRE UTILISATION

## SEL, LIQUIDE DE RINÇAGE, ET DÉTERGENT


### CONSEILS AU SUJET DE LA PREMIÈRE UTILISATION

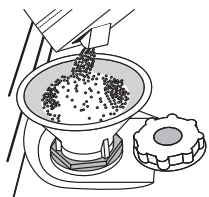
Après l'installation, enlevez les boulons d'arrêt sur les paniers et les éléments élastiques qui retiennent le panier supérieur.

### REMPILIR LE RÉSERVOIR DE SEL

L'utilisation de sel empêche la formation de CALCAIRE sur la vaisselle et sur les composantes fonctionnelles de l'appareil.

- Le **RÉSERVOIR DE SEL NE DOIT JAMAIS ÊTRE VIDE.**
- Il est important de régler la dureté de l'eau.

Le réservoir de sel est situé dans la partie inférieure du lave-vaisselle (voir **DESCRIPTION DU PRODUIT**) et il doit être rempli quand le voyant **NIVEAU DE SEL**  est allumé sur le panneau de commande.



1. Enlevez le panier inférieur et dévissez le bouchon du réservoir (sens antihoraire).
2. La première fois uniquement, vous devez effectuer l'opération suivante : Remplissez d'eau le réservoir à sel.
3. Placez l'entonnoir (voir figure) et remplissez le réservoir de sel jusqu'au bord (environ 1 kg); il est normal qu'un peu d'eau déborde.
4. Enlevez l'entonnoir et essuyez les résidus de sel autour de l'ouverture.

Assurez-vous que le bouchon est bien serré pour éviter que du détergent pénètre dans le réservoir durant le cycle de lavage (le réservoir pourrait s'endommager au point de ne plus être réparable).

Après chaque ajout de sel dans le réservoir, il est obligatoire de lancer immédiatement un cycle de lavage afin d'éviter toute corrosion de la cuve.

### RÉGLER LA DURETÉ DE L'EAU

Pour que l'adoucisseur d'eau fonctionne à la perfection, il est important de régler la dureté de l'eau aux conditions existantes dans votre résidence. Cette information peut être obtenue de votre fournisseur d'eau local.

L'usine règle la valeur par défaut de la dureté de l'eau.

- Allumer l'appareil en appuyant sur la touche **MARCHE/ARRÊT.**
- Éteindre l'appareil en appuyant sur la touche **MARCHE/ARRÊT.**
- Appuyer sur la touche **P** pendant 5 secondes ; un bip se fait entendre.
- Allumer l'appareil en appuyant sur la touche **MARCHE/ARRÊT.**
- Le numéro de la sélection actuelle et le voyant de niveau de sel clignotent.
- Appuyer sur la touche **P** pour sélectionner le niveau de dureté désiré (voir **TABLEAU DE DURETÉ DE L'EAU**).

Level	°dH Degrés allemand	°fH Degrés français	°Clark Degrés anglais
1	Très douce	0 - 6	0 - 10
2	Moyenne	7 - 11	11 - 20
3	Douce	12 - 16	21 - 29
4	Dure	17 - 34	30 - 60
5	Très dure	35 - 50	61 - 90

- Éteindre l'appareil en appuyant sur la touche **MARCHE/ARRÊT.**

Le réglage est terminé !  
Une fois cette opération complétée, lancez un programme sans charger le lave-vaisselle.

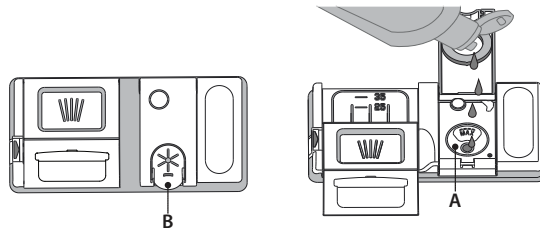
Utilisez seulement le sel spécialement conçu pour les lave-vaisselles. Lorsque le sel est versé dans l'appareil, le voyant AJOUTER DU SEL s'éteint.

**Si le contenant de sel n'est pas rempli, l'adoucisseur et l'élément chauffant peuvent être endommagés à cause de l'accumulation de calcaire.**

L'utilisation de sel est recommandée avec n'importe quel type de lessive pour lave-vaisselle.

### REMPILIR LE DISTRIBUTEUR DE LIQUIDE DE RINÇAGE

Le liquide de rinçage permet à la vaisselle de SÉCHER plus facilement. Le distributeur de liquide de rinçage **A** devrait être rempli lorsque le voyant de **NIVEAU DE LIQUIDE DE RINÇAGE**  est allumé à l'écran.



1. Ouvrez le distributeur **B** en appuyant et en tirant sur l'onglet sur le couvercle.
2. Versez doucement du liquide de rinçage jusqu'à la marque de référence (110 ml) du réservoir de remplissage - évitez les débordements. Si cela se produit, nettoyez les dégâts immédiatement avec un linge sec.
3. Appuyez sur le bouchon pour le fermer; un clic se fait entendre.

**Ne JAMAIS verser le liquide de rinçage directement dans la cuve.**

### AJUSTER LE DOSAGE DU LIQUIDE DE RINÇAGE

Si vous n'êtes pas complètement satisfait avec le séchage, vous pouvez ajuster la quantité de liquide de rinçage utilisée.

- Allumez le lave-vaisselle en utilisant la touche **MARCHE/ARRÊT.**
- Éteignez-le en utilisant la touche **MARCHE/ARRÊT.**
- Appuyez sur la touche **P** à trois reprises - vous entendrez un bip.
- Allumez-le en utilisant la touche **MARCHE/ARRÊT.**
- Le numéro du niveau de sélection actuelle et le voyant du niveau de liquide de rinçage clignotent.
- Appuyez sur la touche **P** pour sélectionner la quantité de liquide de rinçage qui doit être utilisée.
- Éteignez-le en utilisant la touche **MARCHE/ARRÊT**

Le réglage est terminé !

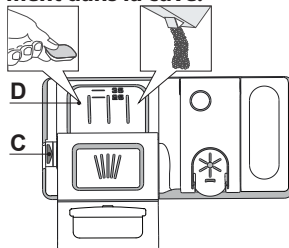
Si le niveau de liquide de rinçage est à ZÉRO (ÉCO), il n'y aura pas de liquide de rinçage distribué. Le voyant LIQUIDE DE RINÇAGE BAS ne s'allumera pas s'il ne reste plus de liquide de rinçage.

Un maximum de 5 niveaux peuvent être réglés selon le modèle du lave-vaisselle. Les réglages d'usine sont spécifiques au modèle, merci de suivre les instructions ci-dessus pour vérifier ceux qui s'appliquent à votre machine.

- Si vous observez des traces bleuâtres sur la vaisselle, placez sur un niveau plus bas (1-2).
- Si vous observez des gouttelettes d'eau ou des traces de calcaire sur la vaisselle, placez sur un niveau plus haut (3-4).

### REMPILIR LE DISTRIBUTEUR DE DÉTERGENT

Pour ouvrir le distributeur de détergent, utilisez le dispositif d'ouverture **C**. Insérez le détergent dans le distributeur sec **D** seulement. Placez la quantité de détergent pour le pré-lavage directement dans la cuve.























1. Lorsque vous mesurez la lessive, consultez les informations mentionnées précédemment pour ajouter la quantité correcte. À l'intérieur du distributeur **D** se trouvent des indications pour aider au dosage de la lessive.
2. Enlevez les résidus de détergent sur le bord des récipients avant de fermer le couvercle; un clic se fait entendre.
3. Fermez le couvercle du distributeur de détergent en le tirant vers le haut jusqu'à ce que le dispositif soit fermement en place.

Le distributeur de détergent s'ouvre automatiquement, au moment déterminé par le programme. Si vous utilisez un détergent « tout-en-un », nous vous conseillons d'utiliser la touche **PASTILLE**, elle ajuste le programme de façon à toujours obtenir les meilleurs résultats de lavage et séchage.

**L'utilisation d'un détergent non-conçu pour les lave-vaisselles peut provoquer un dysfonctionnement ou des dommages à l'appareil.**

# TABLEAU DES PROGRAMMES

Programme	Séchage	NaturalDry	Options disponibles *)	Durée du programme de lavage (h:min)**)	Consommation d'eau (l/cycle)	Consommation d'énergie (kWh/cycle)
1. Éco ECO 50°	✓	✓	  	3:10	9,5	0,85
2. 6 <sup>th</sup> Sense® 50-60°	✓	✓	 MULTI ZONE >>>  	1:25 - 3:00	7,0 - 14,0	0,90 - 1,40
3. Intensif 65°	✓	✓	 MULTI ZONE >>>  	2:50	14,0	1,50
4. Lavage et séchage rapide 50°	✓	✓	 MULTI ZONE 	1:25	11,5	1,10
5. Cristal 45°	✓	✓	 MULTI ZONE 	1:40	11,5	1,20
6. Rapide 30' 50°	-	-	 MULTI ZONE 	0:30	9,0	0,50
7. Silencieux 50°	✓	✓	  	3:30	15,0	1,15
8. Prélavage -	-	-	 MULTI ZONE 	0:12	4,5	0,01

Les données du programme Éco sont mesurées sous des conditions en laboratoire conformément à la norme européenne EN 60436:2020.

Note pour les laboratoires d'essai : pour toutes informations sur les conditions d'essai comparatif EN, s'adresser à: [dw\\_test\\_support@europeanappliances.com](mailto:dw_test_support@europeanappliances.com). Aucun prétraitement de la vaisselle n'est nécessaire avant l'un quelconque des programmes.

\*) Les options ne peuvent pas toutes être utilisées en même temps.

\*\*\*) Les valeurs indiquées pour des programmes différents du programme Éco sont fournis à titre indicatif uniquement. Le temps réel peut varier selon des facteurs comme la température et la pression de l'eau, la température de la pièce, la quantité de détergent, la quantité et le type de vaisselle, l'équilibre de la charge, les options supplémentaires sélectionnées, et la calibration du capteur. La calibration du capteur peut augmenter la durée du programme jusqu'à 20 minutes.

## DESCRIPTION DES PROGRAMMES

### Consignes pour la sélection du cycle de lavage.

#### 1 ÉCO

Le programme Eco est adapté pour nettoyer la vaisselle normalement sale, et pour cette utilisation, c'est le programme le plus efficace en termes d'énergie combinée et de consommation d'eau, et il est utilisé pour évaluer la conformité à la législation européenne en matière d'éco-conception.

#### 2 6<sup>th</sup> SENSE®

Pour la vaisselle normalement sale avec des résidus de nourriture secs. Détermine le degré de saleté de la vaisselle et règle le programme en fonction de celui-ci. Lorsque le capteur détecte le degré de saleté, une animation apparaît sur l'afficheur et la durée du cycle est mise à jour.

#### 3 INTENSIF

Programme conseillé pour une vaisselle très sale, particulièrement adapté pour les poêles et les casseroles (ne pas utiliser avec la vaisselle délicate).

#### 4 LAVAGE ET SÉCHAGE RAPIDE

Vaisselle sale. Cycle quotidien, assure un rendement de nettoyage optimal et des performances de séchage en moins de temps.

#### 5 CRISTAL

Programme pour la vaisselle délicate, plus sensible aux températures élevées, comme les verres et les tasses.

#### 6 RAPIDE 30'

Programme à utiliser pour la demi-charge de vaisselle légèrement sale sans résidus alimentaires séchés. N'a pas de phase de séchage

#### 7 SILENCIEUX

Adéquat lorsque l'appareil fonctionne la nuit. Assure un nettoyage et des performances de séchage optimaux avec les plus faibles émissions de bruit.

#### 8 PRÉLAVAGE

Utilisez ce programme pour rafraîchir la vaisselle qui sera lavée plus tard. N'utilisez pas de détergent avec ce programme.

#### Remarques :

Il convient de noter que le cycle Rapide 30' est destiné uniquement à la vaisselle légèrement sale.

# OPTIONS ET FONCTIONS

Les OPTIONS peuvent être sélectionnées directement en appuyant sur la touche correspondante (voir PANNEAU DE COMMANDE).

**Si une option n'est pas compatible avec le programme sélectionné (voir TABLEAU DES PROGRAMMES), le voyant correspondant clignote 3 fois et un bip se fait entendre. La fonction n'est pas activée.**

## MULTI ZONE MULTIZONE

S'il n'y a pas beaucoup de vaisselle à laver, la demi-charge peut être utilisée pour économiser de l'eau, de l'électricité, et du détergent.

Sélectionnez un programme et appuyez ensuite sur la touche MULTIZONE: le symbole du panier sélectionné s'affiche à l'écran. Par défaut, l'appareil lave la vaisselle sur tous les paniers. Pour seulement laver la vaisselle sur un panier particulier, appuyez plusieurs fois sur cette touche :



s'affiche à l'écran (panier inférieur seulement)



s'affiche à l'écran (panier supérieur seulement)



s'affiche à l'écran (l'option est ÉTEINTE et l'appareil lave la vaisselle sur tous les paniers).

**Chargez seulement le panier supérieur ou inférieur, et réduisez la quantité de détergent en conséquence.**

**Si le panier supérieur est enlevé, appliquez le détergent directement dans la cuve au lieu du distributeur de détergent.**



## DIFFÉRÉ

Le début du programme peut être retardé pour une période entre **1** et **12** heures.

1. Appuyez sur la touche DIFFÉRÉ : le symbole «h» correspondant apparaît sur l'écran ; chaque fois que vous appuyez sur la touche, le temps (1 heure, 2 heures, etc. jusqu'à un max de 12 heures) avant le début du cycle de lavage augmente.
2. Sélectionnez le programme de lavage, appuyez sur le bouton DÉPART/PAUSE et dans les 4 secondes, fermez la porte : la minuterie commencera le compte à rebours.
3. Une fois le temps écoulé, le voyant «h» s'éteint et le cycle de lavage démarre.

Pour ajuster le délai et sélectionner une période de temps plus courte, appuyez sur la touche DIFFÉRÉ. Pour l'annuler, appuyez sur la touche à plusieurs reprises pour éteindre le voyant «h» de départ différé sélectionné. Le programme de lavage démarre automatiquement aussitôt que la porte est fermée.

**La fonction Différé ne peut pas être réglée une fois que le cycle de lavage a commencé.**



## TURBO

Cette option permet de réduire la durée des programmes principaux tout en conservant les niveaux de rendement du lavage et du séchage.

Après avoir sélectionné le programme, appuyez sur la touche TURBO et le voyant s'allume. Appuyez de nouveau sur la touche pour annuler l'option.



## POWER CLEAN®

Grâce aux jets haute pression supplémentaires, cette option fournit un lavage plus intensif et puissant dans le panier inférieur, dans la zone spécifique. Elle est recommandée pour le lavage des poêles et des casseroles. Appuyez sur cette touche pour activer Power Clean (le voyant s'allume).



## PASTILLE

Ce réglage vous permet d'optimiser le rendement du programme selon le type de détergent utilisé.

Appuyez sur la touche DÉPART/PAUSE 3 secondes (le symbole correspondant s'allume) si vous utilisez un détergent sous la forme d'une pastille (liquide de rinçage, sel, et détergent en une seule dose).

**Si vous utilisez un détergent en poudre ou liquide, cette option devrait être éteinte.**

## NaturalDry

*NaturalDry* est un système de séchage à convection qui ouvre automatiquement la porte pendant/après la phase de séchage pour assurer une performance de séchage exceptionnelle chaque jour. La porte s'ouvre à la température qui est sûre pour les meubles de votre cuisine, donc la porte ne sera pas ouverte quand l'option TURBO sera activée. À titre de protection supplémentaire contre la vapeur, une feuille de protection spécifiquement conçue est ajoutée avec le lave-vaisselle. Pour voir comment monter la feuille de protection, consulter le (GUIDE D'INSTALLATION).

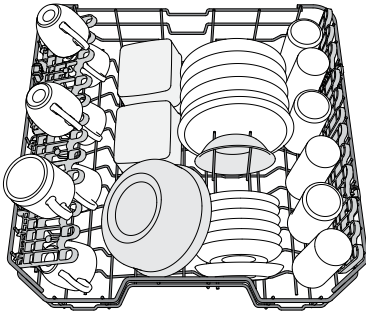
La fonctionnalité *NaturalDry* pourrait être désactivée par l'utilisateur comme suit:

1. Allez au menu de logiciel du lave-vaisselle en appuyant et en maintenant le bouton **P** (6 sec).
2. Vous passez au Menu de contrôle *NaturalDry*, vous pouvez changer d'état de la fonctionnalité *NaturalDry* en appuyant sur le bouton **P**:  
**E** – activé                      **d** – désactivé

Pour confirmer le changement et sortir du Menu de Contrôle, appuyer sur le bouton **P** et le maintenir enfoncé (3 sec).

# CHARGEMENT DES PANIERS

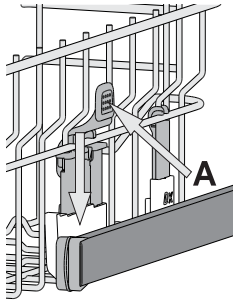
## PANIER SUPÉRIEUR



(exemple de chargement du panier supérieur)

### AJUSTER LA HAUTEUR DU PANIER SUPÉRIEUR

Vous pouvez ajuster la hauteur du panier supérieur : position élevée pour placer la vaisselle encombrante sur le panier inférieur, et la position basse pour profiter au maximum des supports rabattables et créant plus d'espace vers le haut et éviter les chocs avec les articles sur le panier inférieur. Le panier supérieur comprend un **dispositif de réglage de la hauteur du panier supérieur** (voir figure), sans appuyer sur les leviers, simplement soulever en tenant le panier sur les côtés jusqu'à ce qu'il soit stable en position élevée. Pour abaisser le panier, appuyez sur les leviers **A** sur les côtés du panier et déplacez-le vers le bas.



**Nous vous conseillons fortement de ne pas ajuster la hauteur du panier lorsqu'il est chargé.**

**Ne JAMAIS soulever ou abaisser un seul côté du panier.**

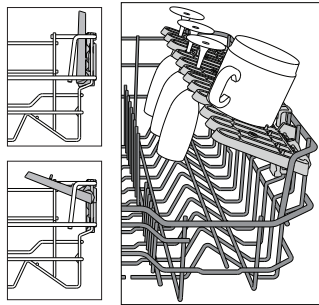
### VOLETS PLIABLES À POSITION RÉGLABLE

Les volets pliables latéraux peuvent être pliés ou dépliés afin d'optimiser la disposition de la vaisselle à l'intérieur du rack.

Les verres de vin peuvent être placés de façon sécuritaire dans les volets pliables en insérant le pied de chaque verre dans la fente correspondante.

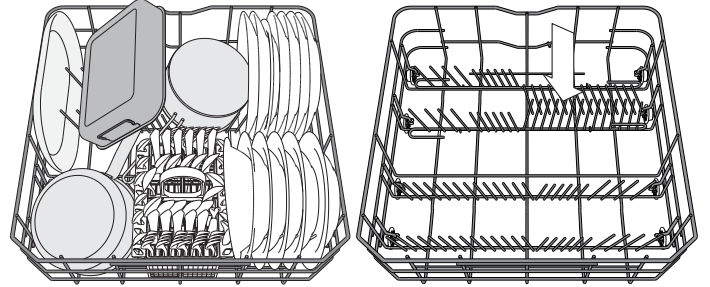
Selon le modèle :

- pour déplier les volets, il est nécessaire de les coulisser vers le haut et de les tourner ou de les libérer des griffes et de les tirer vers le bas.
- pour replier les volets, il est nécessaire de les tourner et de les faire coulisser vers le bas ou de les tirer vers le haut et de fixer les pattes aux griffes



## PANIER INFÉRIEUR

Pour les poêles, les couvercles, les plats, les saladiers, les couverts, etc. Les grands plats et les grands couvercles devraient être placés sur le côté pour éviter qu'ils n'entravent le fonctionnement des bras d'aspersion. Le panier inférieur comprend des supports rabattables qui peuvent être placés en position verticale pour charger des plaques, ou en position horizontale (bas) pour faciliter le chargement des casseroles et des bols de salade.

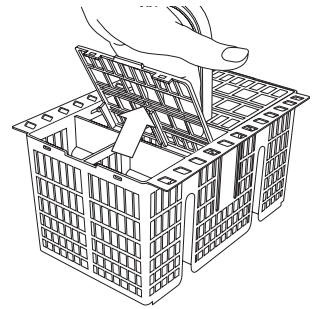


(exemple de chargement du panier inférieur)

### PANIER À COUVERT

Le panier comprend des grilles supérieures pour placer les couverts plus facilement. Le panier à couvert doit uniquement être placé à l'avant du panier inférieur.

**Les couteaux et autres ustensiles avec des bords tranchants doivent être placés dans le panier à couvert avec la pointe vers le bas, ou placés à l'horizontale dans le compartiment rabattable sur le panier supérieur.**



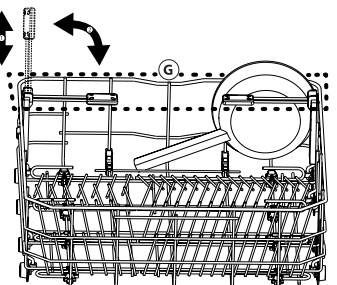
### POWER CLEAN SUR LE PANIER INFÉRIEUR

Power Clean® utilise des jets d'eau spéciaux, situés à l'arrière de la cavité, pour laver les articles très sales avec une intensité plus élevée. Le panier inférieur comprend une zone d'espace, un support spécial qui se trouve à l'arrière du panier, qui peut être utilisé pour supporter les poêles à frire et les moules dans une position verticale, prenant ainsi moins de place.

Placez les poêles et les casseroles face à la composante Power Clean® et activez **POWER CLEAN** sur le panneau.

Comment utiliser Power Clean®.

1. Réglez la zone Power Clean® (G) en rabattant les supports pour assiettes arrières pour charger des casseroles.
2. Chargez les grands plats et les casseroles en les inclinant à la verticale dans la zone Power Clean®. Les casseroles doivent être inclinées dans la direction des jets d'eau haute pression.



# UTILISATION QUOTIDIENNE

## 1. VÉRIFIER LE BRANCHEMENT DE L'EAU

Assurez-vous que l'appareil est raccordé à un réseau d'alimentation et que le robinet de l'eau est ouvert.

## 2. ALLUMER LE LAVE-VAISSELLE

Ouvrez la porte et appuyez sur la touche **MARCHE/ARRÊT**.

## 3. CHARGER LES PANIERS (voir CHARGEMENT DES PANIERS).

## 4. REMPLIR DE DISTRIBUTEUR DE DÉTERGENT

## 5. CHOISIR LE PROGRAMME ET PERSONNALISER LE CYCLE

Sélectionnez le meilleur programme selon le type de vaisselle et le niveau de saleté (voir DESCRIPTION DES PROGRAMMES) en appuyant sur la touche **P**.

Sélectionnez les options désirées (voir OPTIONS ET FONCTIONS).

## 6. DÉMARRER

Démarrez le cycle de lavage en appuyant sur le bouton **DÉPART/Pause** (le témoin est allumé) et en fermant la porte dans les 4 secondes. Quand le programme démarre, vous entendez un bip simple. Si la porte n'a pas été fermée dans les 4 secondes, le signal d'alarme est activé. Dans ce cas, ouvrez la porte, appuyez sur le bouton **DÉPART/Pause** et fermez de nouveau la porte dans les 4 sec.

## 7. FIN DU CYCLE DE LAVAGE

La fin du cycle de lavage est indiquée par des bips et par le clignotement du nombre de cycles de lavage sur l'écran. Ouvrez la porte et éteignez l'appareil en appuyant sur la touche **MARCHE/ARRÊT**.

Pour éviter de vous brûler, attendez quelques minutes avant de retirer la vaisselle. Déchargez les paniers en commençant par le panier inférieur.

L'appareil s'éteint automatiquement durant des périodes d'inactivité prolongées pour réduire la consommation d'énergie. Si la vaisselle est légèrement sale ou si elle a été rincée avec à l'eau avant d'être placée dans le lave-vaisselle, réduisez la quantité de détergent utilisée en conséquence.

## MODIFIER UN PROGRAMME EN COURS

Si vous avez sélectionné le mauvais programme, vous pouvez le changer, à condition que ce soit fait au tout début du cycle: ouvrir la porte, appuyer sur le bouton **MARCHE/ARRÊT** et le maintenir enfoncé, la machine s'éteindra.

Rallumez l'appareil en appuyant sur la touche **MARCHE/ARRÊT** et sélectionnez le nouveau cycle de lavage et les options désirées ; lancer le cycle en appuyant sur le bouton **DÉPART/Pause** et en fermant la porte dans les 4 sec.

## AJOUTER DE LA VAISSELLE

Sans éteindre la machine, ouvrir la porte (Le voyant **DÉPART/Pause** commencera à clignoter) (**attention à la vapeur CHAUDE !**) et placer la vaisselle à l'intérieur du lave-vaisselle. Appuyer sur le bouton **DÉPART/Pause** et fermer la porte dans les 4 sec, le cycle reprendra à l'endroit où il a été interrompu.

## INTERRUPTIONS IMPRÉVUES

Si la porte est ouverte pendant le cycle de lavage, ou s'il y a une coupure de courant, le cycle s'arrête. Pour reprendre le cycle à l'endroit où il a été interrompu, appuyer sur le bouton **DÉPART/Pause** et fermer la porte dans les 4 sec.

# AVIS ET CONSEILS

## CONSEILS

Avant de charger les paniers, enlevez tous les résidus de nourriture sur la vaisselle et videz les verres. **Vous n'avez pas besoin de rincer la vaisselle avant de la placer dans le lave-vaisselle.**

Placez la vaisselle pour qu'elle tienne bien en place et ne risque pas de tomber; et placez les récipients avec les ouvertures vers le bas et les parties concaves/convexes de côté pour permettre à l'eau d'atteindre toutes les surfaces et couler librement.

**Avertissement :** les couvercles, poignées, plaques et poêles à frire n'empêchent pas les bras d'aspersion de tourner. Placez les petits articles dans le panier à couvert. La vaisselle et les casseroles très sales devraient être placées sur le panier inférieur car les jets d'eau sont plus forts dans cette section et permet un meilleur rendement lors du lavage. Après avoir chargé l'appareil, assurez-vous que les bras d'aspersion peuvent bouger librement.

## VAISSELLE QUI NE CONVIENT PAS

- Vaisselle et couverts en bois.
- Verres décoratifs délicats, produits artisanaux, et vaisselle antique. Les garnitures ne sont pas résistantes.
- Les pièces en matériel synthétique qui ne supportent pas les hautes températures.
- La vaisselle en cuivre ou en étain.
- La vaisselle tachée de cendre, de cire, de graisse lubrifiante, ou d'encre.

Les couleurs des garnitures de verre et des pièces d'aluminium/argent peuvent changer et ternir durant le cycle de lavage. Certains types de verre (p. ex. les objets en cristal) peuvent aussi devenir opaque après plusieurs cycles de lavage.

## VERRES ET VAISSELLE ENDOMMAGÉS

- Seulement utiliser des verres ou de la porcelaine qui sont lavables au lave-vaisselle conformément aux recommandations du fabricant.
- Utilisez un détergent doux, adéquat pour la vaisselle.
- Retirez les verres et les couverts du lave-vaisselle aussitôt que le cycle de lavage est terminé

## ASTUCES SUR L'ÉCONOMIE D'ÉNERGIE

- Lorsque le lave-vaisselle domestique est utilisé conformément aux instructions du fabricant, **le lavage de la vaisselle dans un lave-vaisselle consomme habituellement MOINS D'ÉNERGIE et d'eau que le lavage à la main.**
- Afin d'optimiser l'efficacité du lave-vaisselle, il est recommandé de **débuter le cycle de lavage une fois que le lave-vaisselle est totalement chargé.** Le chargement du lave-vaisselle domestique jusqu'à la capacité indiquée par le fabricant contribuera à économiser de l'énergie et de l'eau. Vous trouverez des informations sur le chargement correct de la vaisselle dans le chapitre CHARGEMENT DES PANIERS.
- En cas de chargement partiel, il est recommandé d'utiliser des options de lavage spécifiques si elles sont disponibles (Demi-charge / Zone Wash/ Multi Zone), en remplissant uniquement les paniers sélectionnés. Un chargement incorrect ou une surcharge du lave-vaisselle peut augmenter l'utilisation des ressources (telles que l'eau, l'énergie et le temps, et augmenter le niveau de bruit), en réduisant les performances de nettoyage et de séchage.
- Un pré-rinçage manuel des éléments de vaisselle provoque une augmentation de la consommation d'eau et d'énergie et n'est pas recommandé.

## HYGIÈNE

Pour éviter les odeurs et les dépôts qui pourraient s'accumuler dans le lave-vaisselle, lancer un programme à haute température au moins une fois par mois. Utilisez une cuillère à café de détergent et lancer le programme sans vaisselle pour nettoyer l'appareil.

# NETTOYAGE ET ENTRETIEN

## NETTOYER L'ENSEMBLE FILTRE

Nettoyez régulièrement l'ensemble filtre pour éviter qu'il ne se bouche et pour permettre aux eaux usées de bien s'éliminer.

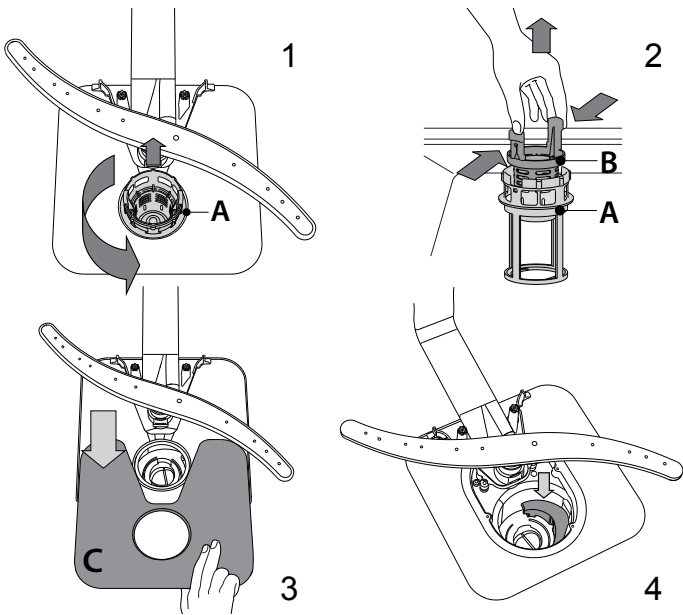
L'utilisation du lave-vaisselle avec des filtres obstrués ou des objets étrangers à l'intérieur du système de filtration ou des bras de pulvérisation peut provoquer un dysfonctionnement de l'unité provoquant une perte de performances, un fonctionnement bruyant ou une utilisation supérieure des ressources.

L'ensemble filtre comprend trois filtres qui séparent les résidus de nourriture de l'eau de lavage pour ensuite faire circuler l'eau.

**N'utilisez pas le lave-vaisselle sans les filtres ou si un filtre est mal ajusté.**

Au moins une fois par mois ou tous les 30 cycles, vérifiez l'assemblage du filtre et si nécessaire, nettoyez-le minutieusement sous l'eau courante, en utilisant une brosse non-métallique et en suivant les instructions ci-dessous :

1. Tournez le filtre cylindrique **A** dans le sens antihoraire et retirez-le (Fig. 1).
2. Enlevez le panier du filtre **B** en appliquant une légère pression sur les volets latéraux (Fig. 2).
3. Retirez la plaque du filtre en acier inoxydable **C** (Fig. 3).
4. Si vous trouvez des objets étrangers (comme du verre brisé, de la porcelaine, des os, des pépins de fruits, etc), enlevez-les minutieusement.
5. Inspecter la cavité et enlever les résidus de nourriture. **NE JAMAIS ENLEVER** la protection de la pompe du cycle de lavage (détails en couleur noir) (Fig 4).



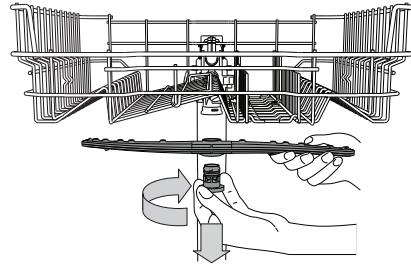
Après avoir nettoyé les filtres, assemblez de nouveau l'ensemble filtre et remettez-le en place correctement; c'est très important pour que le lave-vaisselle garde son efficacité.

## NETTOYER LE TUYAU D'ARRIVÉE D'EAU

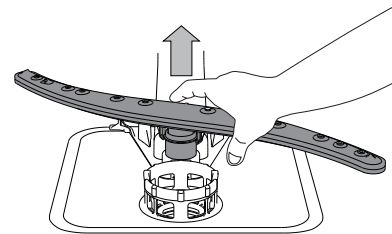
Si les tuyaux d'eau sont neufs ou s'ils n'ont pas été utilisés depuis longtemps, laissez l'eau couler pour vous assurer qu'il n'y a pas d'impureté ou de saleté avant de les brancher. Si vous n'effectuez pas cette opération, l'arrivée d'eau pourrait se boucher et endommager le lave-vaisselle.

## NETTOYER LES BRAS D'ASPERSION

À l'occasion, des résidus de nourriture s'incrument dans les bras d'aspersion et bloquent les trous utilisés pour asperger de l'eau. Il est donc conseillé de vérifier les bras de temps en temps et de les nettoyer avec une petite brosse non métallique.



Pour enlever le bras d'aspersion supérieur, tournez l'anneau de verrouillage en plastique dans le sens horaire. Le bras d'aspersion supérieur doit être replacé de façon que le côté avec le plus grand nombre de trous est placé vers le haut.



Le bras d'aspersion inférieur peut être enlevé en le tirant vers le haut.

## SYSTÈME ADOUCISSEUR D'EAU

L'adoucisseur d'eau réduit automatiquement la dureté de l'eau, en empêchant ainsi la formation de calcaire sur la résistance, et en contribuant également à une meilleure performance de nettoyage.



**Ce système se régénère avec du sel, il est donc nécessaire de remplir le bac de sel lorsqu'il est vide.**

La fréquence de régénération dépend du réglage du niveau de dureté de l'eau - la régénération a lieu une fois tous les **6** cycles Eco avec un niveau de dureté de l'eau réglé à **3**. Le processus de régénération débute lors du rinçage final et se termine en phase de séchage avant la fin du cycle.

- Une régénération simple consomme : ~3,5 L d'eau ;
- Prend jusqu'à 5 minutes supplémentaires pour le cycle ;
- Consomme moins de 0,005 kWh d'énergie.

# DÉPANNAGE

Si votre lave-vaisselle ne fonctionne pas correctement, vérifiez si le problème peut être résolu en suivant la liste ci-après. Pour d'autres erreurs ou problèmes, contactez le Service après-vente agréé dont les coordonnées peuvent être trouvées dans le livret de garantie. Les pièces de rechange seront disponibles pour une période allant jusqu'à 7 ou jusqu'à 10 ans, selon les exigences spécifiques du règlement.

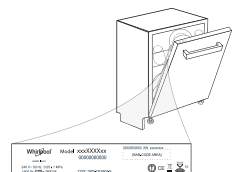
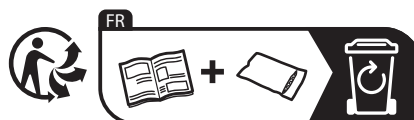
PROBLÈMES	CAUSES POSSIBLES	SOLUTIONS
 L'indicateur de sel est allumé	Le réservoir de sel est vide. (Après le remplissage, il est possible que le voyant du niveau de sel régénérant ne s'éteigne qu'au bout de plusieurs cycles de lavage).	Remplissez le réservoir de sel régénérant (pour plus d'informations, reportez-vous à la page 2). Réglez la dureté de l'eau - reportez-vous au tableau de la page 2.
 Le voyant de liquide de rinçage est allumé	Le distributeur de liquide de rinçage est vide. (Après le remplissage, il est possible que le voyant du niveau de liquide de rinçage ne s'éteigne qu'au bout de plusieurs cycles de lavage).	Remplissez le distributeur de liquide de rinçage (pour plus d'informations, reportez-vous à la page 2).
Le lave-vaisselle ou les commandes ne fonctionnent pas.	L'appareil n'est pas bien branché.	Insérez la fiche dans la prise de courant.
	Panne de courant.	Pour des raisons de sécurité, le lave-vaisselle ne redémarrera pas automatiquement lors du retour de l'alimentation électrique. Ouvrez la porte du lave-vaisselle, appuyez sur le bouton DÉPART/Pause, et fermez la porte dans les 4 secondes.
	La porte du lave-vaisselle n'est pas fermée. Broche NaturalDry non entrée.	Poussez vigoureusement la porte pour entendre le « clic ».
	Le cycle est interrompu par une ouverture de la porte supérieure à 4 secondes.	Appuyer sur DÉPART/Pause et fermer la porte dans les 4 secondes.
Le lave-vaisselle ne se vidange pas. L'afficheur indique : <b>3</b> et le voyant MARCHE/ARRÊT clignote rapidement.	Les commandes ne fonctionnent pas. L'afficheur indique : <b>9</b> ou <b>12</b> et le voyant MARCHE/ARRÊT clignote rapidement.	Éteindre l'appareil en appuyant sur la touche MARCHE/ARRÊT, rallumez-le environ une minute après, et Relancez le programme. Si le problème persiste, débranchez l'appareil pendant 1 minute, puis rebranchez-le.
	Le cycle de lavage n'est pas encore terminé.	Attendre que le cycle se termine.
Le lave-vaisselle fait beaucoup de bruit.	Le tuyau de vidange est plié.	Assurez-vous que le tuyau de vidange n'est pas plié (voir <i>CONSIGNES D'INSTALLATION</i> ).
	Le conduit de vidange de l'évier est bouché.	Nettoyez le conduit de vidange de l'évier.
	Le filtre est bouché par des résidus de nourriture.	Nettoyez le filtre (voir <i>NETTOYAGE DE L'ENSEMBLE FILTRE</i> ).
La vaisselle n'est pas propre.	La vaisselle s'entrechoque.	Remplacez la vaisselle (voir <i>CHARGEMENT DES PANIERS</i> ).
	Il y a une trop grande quantité de mousse.	Le détergent a été mal mesuré ou il n'est pas adéquat pour les lave-vaisselles (voir <i>REEMPLIR LE DISTRIBUTEUR DE DÉTERGENT</i> ). Relancez le cycle en cours en éteignant le lave-vaisselle, puis en le rallumant, sélectionnez un nouveau programme, appuyez sur Départ/Pause et fermez la porte dans les 4 secondes. Merci de ne pas ajouter de détergent.
L'eau n'arrive pas au lave-vaisselle. L'afficheur indique : <b>H, 6</b> et le voyant MARCHE/ARRÊT clignote rapidement.	La vaisselle n'est pas bien placée.	Remplacez la vaisselle (voir <i>CHARGEMENT DES PANIERS</i> ).
	Les bras d'aspersion ne bougent pas librement, ils sont gênés par la vaisselle.	Remplacez la vaisselle (voir <i>CHARGEMENT DES PANIERS</i> ).
	Le cycle de lavage est trop délicat.	Sélectionnez le cycle de lavage approprié (voir <i>TABLEAU DES PROGRAMMES</i> ).
	Il y a une trop grande quantité de mousse.	Le détergent a été mal mesuré ou il n'est pas adéquat pour les lave-vaisselles (voir <i>REEMPLIR LE DISTRIBUTEUR DE DÉTERGENT</i> ).
	Le bouchon du compartiment de liquide de rinçage n'est pas bien fermé.	Assurez-vous que le bouchon du distributeur de liquide de rinçage est fermé.
	Le filtre est sale ou bouché.	Nettoyez l'ensemble de filtre (voir <i>NETTOYAGE ET ENTRETIEN</i> ).
Le lave-vaisselle termine le cycle prématurément. L'afficheur indique : <b>15</b> et le voyant MARCHE/ARRÊT clignote rapidement.	Il n'y a pas de sel.	Remplir le réservoir de sel (voir <i>REEMPLIR LE RÉSERVOIR DE SEL</i> ).
	L'alimentation d'eau est vide ou le robinet est fermé.	Assurez-vous qu'il y a de l'eau dans le circuit d'alimentation ou que le robinet est ouvert.
	Le tuyau d'arrivée est plié.	Assurez-vous que le tuyau d'entrée n'est pas plié (voir <i>INSTALLATION</i> ) reprogrammez le lave-vaisselle et relancez-le.
Le lave-vaisselle termine le cycle prématurément. L'afficheur indique : <b>15</b> et le voyant MARCHE/ARRÊT clignote rapidement.	Le tamis dans le tuyau d'arrivée d'eau est obstrué ; il est nécessaire de le nettoyer.	Après avoir complété la vérification et le nettoyage, éteignez et rallumez le lave-vaisselle et redémarrez le programme.
	Le tuyau de vidange est positionné trop bas ou se vide dans le système d'évacuation domestique.	Vérifiez si l'extrémité du tuyau de vidange est placée à la hauteur correcte (voir <i>INSTALLATION</i> ). Vérifiez la vidange dans le système d'évacuation domestique, installez une vanne d'admission d'air si nécessaire.
	De l'air est présent dans l'alimentation en eau.	Vérifiez si l'alimentation en eau présente des fuites ou d'autres problèmes laissant entrer de l'air.

**Vous trouverez les documents normatifs, la documentation standard, le classement des pièces de rechange et des informations supplémentaires sur les produits:**



- En visitant notre site web [docs.whirlpool.eu/docs](https://docs.whirlpool.eu/docs) et [parts-selfservice.europeanappliances.com](https://parts-selfservice.europeanappliances.com)
- Utilisant un QR Code
- En variante, **contactez notre Service après-vente** (le numéro de téléphone se trouve dans le livret de garantie). Lorsque vous contactez notre Service Après-vente, veuillez indiquer les codes visibles sur la plaque signalétique de votre produit.

Les informations relatives au modèle peuvent être trouvées en utilisant le QR-Code figurant sur l'étiquette énergétique. L'étiquette comprend également l'identifiant du modèle qui peut être utilisé pour consulter le portail du registre sur le site <https://eprel.ec.europa.eu>



**400011483000B**

12/2024 ks - Xerox Fabriano





# VODIČ ZA SVAKODNEVNU UPOTREBU



**ZAHVALJUJEMO VAM NA KUPOVINI PROIZVODA WHIRLPOOL.** Kako bismo vam mogli pružiti potpuniju pomoć, registrirajte svoj uređaj na adresi: [www.whirlpool.eu/register](http://www.whirlpool.eu/register).

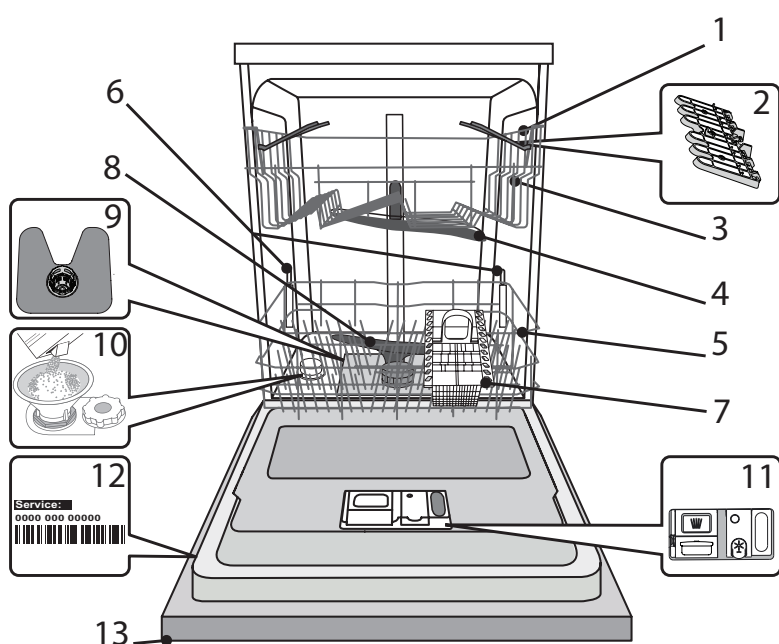


Sigurnosne upute i Korisnički priručnik, možete preuzeti tako da posjetite naše web-mjesto [docs.whirlpool.eu/docs](http://docs.whirlpool.eu/docs) i slijedite upute na poledini ove knjižice.

**Prije upotrebe uređaja pažljivo pročitajte Sigurnosne upute.**

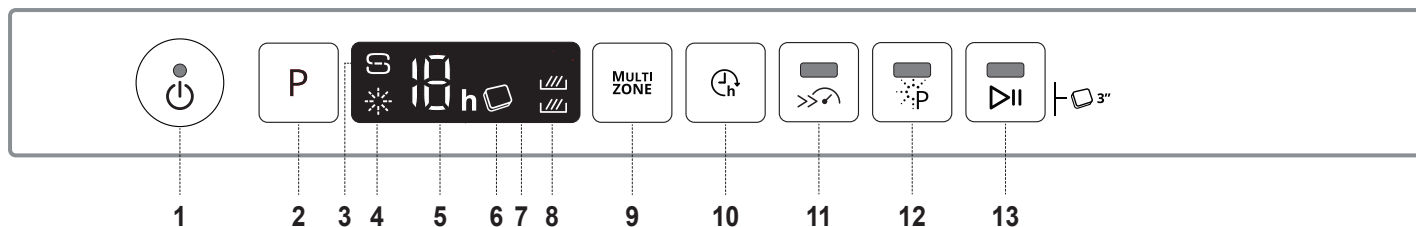
## OPIS PROIZVODA

### UREĐAJ



1. Gornja košara
2. Pomični preklopi
3. Mehanizam za podešavanje gornje košare po visini
4. Gornji nosač prskalica
5. Donja košara
6. Potporni Power Clean
7. Košara za pribor za jelo
8. Donji nosač prskalica
9. Sklop filtra
10. Spremnik za sol
11. Spremnici za deterđent i sredstvo za ispiranje
12. Natpisna pločica
13. Upravljačka ploča

### UPRAVLJAČKA PLOČA



1. Gumb za uklj/isklj/ponovno postavljanje sa svjetlom indikatora
2. Gumb za odabir programa
3. Svjetlo indikatora za dodavanje sol
4. Svjetlo indikatora za dodavanje sredstva za ispiranje
5. Indikator broja programa i vremena odgode
6. Svjetlo indikatora tablete (Tab)
7. Zaslon
8. Svjetlo indikatora Multizone
9. Gumb Multizone
10. Gumb Odgode
11. Gumb Turbo sa svjetlom indikatora
12. Gumb Power Clean sa svjetlom indikatora
13. Gumb Start/Pauza sa svjetlom indikatora / tablete (Tab)

# PRVA UPOTREBA

## SOL, SREDSTVO ZA ISPIRANJE I DETERDŽENT

### SAVJETI ZA PRVU UPOTREBU

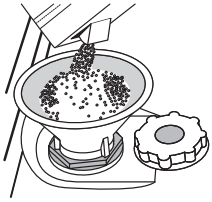
Nakon postavljanje uklonite graničnike s košara i pričvrstne elastične elemente s gornje košare.

### PUNJENJE SPREMNIKA ZA SOL

Upotreba soli sprječava stvaranje kamenca na posuđu i na funkcionalnim sastavnim dijelovima stroja.

- Nužno je pridržavati se toga da **SPREMNIK SOLI NIKADA NIJE PRAZAN**.
- Tvrdća vode mora se postaviti.

Spremnik za sol nalazi se u donjem dijelu perilice posuđa (pogledajte OPIS PROIZVODA) i mora se napuniti kada kada se **svjetlo indikatora PUNJENJE SOLI** uključi na upravljačkoj ploči.



1. Skinite donju košaru i odvijte čep spremnika (u smjeru suprotnom od smjera kazaljke na satu).
2. Samo kod prve uporabe: napunite spremnik za sol vodom.
3. Postavite lijevak (pogledajte sliku) i spremnik soli napunite do samog ruba (približno 1 kg); Curenje male količine vode nije neobično.
4. Uklonite lijevak i obrišite ostatke soli s otvora.

Provjerite je li poklopac čvrsto zategnut tako da deterdžent ne može ući u spremnik tijekom programa pranja (to bi moglo nepovratni oštetiti omekšivač vode).

**Svaki put kada trebate dodati sol obavezno treba završiti cijeli postupak prije početka ciklusa pranja da bi se izbjegla pojava korozije.**

### POSTAVLJANJE TVRDOĆE VODE

Kako bi omekšivač vode mogao savršeno raditi, tvrdoća vode mora se postaviti na temelju stvarne tvrdoće vode u domaćinstvu. Tu informaciju možete dobiti u lokalnom vodoopskrbnom poduzeću.

Zadana vrijednost tvrdoće vode postavlja se u tvornici.

- Uključite uređaj tako da pritisnete gumb za **uključivanje/isključivanje**.
- Uređaj isključite tako da pritisnete gumb za **uključivanje/isključivanje**.
- Držite pritisnutim gumb **P** 5 sekundi dok ne začujete zvučni signal bip.
- Uključite uređaj tako da pritisnete gumb za **uključivanje/isključivanje**.
- Broj trenutačno odabrane razine i svjetlo indikatora soli trepću.
- Pritisnite gumb **P** za odabir željene razine tvrdoće (pogledajte **TABLICA TVRDOĆE VODE**).

Tablica tvrdoće vode				
Razina		°dH Njemački stupnjevi	°fH Francuski stupnjevi	°Clark Engleski stupnjevi
1	Meka	0 - 6	0 - 10	0 - 7
2	Srednja	7 - 11	11 - 20	8 - 14
3	Prosječna	12 - 16	21 - 29	15 - 20
4	Tvrda	17 - 34	30 - 60	21 - 42
5	Vrlo tvrda	35 - 50	61 - 90	43 - 62

- Uređaj isključite tako da pritisnete gumb za **uključivanje/isključivanje**.

Postavljanje je dovršeno!

Čim taj postupak završi, pokrenite program bez punjenja.

**Upotrebljavajte isključivo sol koja je napravljena posebno za perilice suđa.**

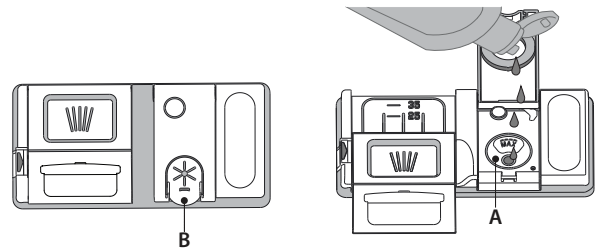
Nakon što se sol ulije u stroj, isključuje se svjetlo indikator PUNJENJE SOLI.

**Ako spremnik za sol nije napunjen zbog nakupljanja kamenca može doći do oštećenje omekšivača vode i grijača.**

Upotreba soli preporučuje se sa svim vrstama deterdženta za pranje suđa.

### PUNJENJE DOZATORA SREDSTVA ZA ISPIRANJE

Sredstvo za ispiranje olakšava SUŠENJE posuđa. Dozator sredstva za ispiranje **A** treba se napuniti kada se **svjetlo indikatora PUNJENJE SPREMNIKA ZA ISPIRANJE** uključi na upravljačkoj ploči.



1. Otvorite dozator **B** tako da pritisnete i povučete jezičac na poklopcu.
2. Pažljivo uvedite sredstvo za ispiranje do referentne oznake maksimalne količine (110 ml) prostora za punjenje, pazite da ne dođe do prolijevanja. Ako se to dogodi, suhom krpom odmah očistite proliveno.
3. Pritisnite poklopac dok se ne zatvori uz klik.

**Sredstvo za ispiranje NIKADA ne ulijevajte izravno u kadu.**

### PODEŠAVANJE DOZIRANJA SREDSTVA ZA ISPIRANJE

Ako niste potpuno zadovoljni rezultatima sušenja, možete podesiti količinu upotrijebljenog sredstva za ispiranje.

- Perilicu suđa uključite pomoću gumba za **uključivanje/isključivanje**.
- Isključite je pomoću gumba za **uključivanje/isključivanje**.
- Tri puta pritisnite gumb **P**, začut će se zvučni signal bip.
- Uključite je pomoću gumba za **uključivanje/isključivanje**.
- Broj trenutačno odabrane razine i svjetlo indikatora sredstva za ispiranje trepere.
- Pritisnite gumb **P** za odabir razine količine sredstva za ispiranje koja će se upotrijebiti.
- Isključite ga pomoću gumba za **uključivanje/isključivanje**.

Postavljanje je dovršeno!

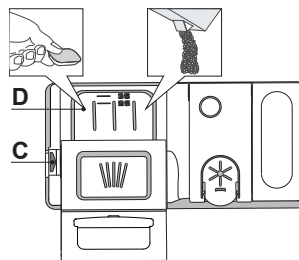
Ako je razina sredstva za ispiranje postavljena na NULU (ECO), sredstvo za ispiranje neće se upotrijebiti. Svjetlo indikatora NISKA RAZINA SREDSTVA ZA ISPIRANJE neće se uključiti ako ste potrošili sredstvo za ispiranje.

Ovisno o vrsti perilice suđa mogu se postaviti najviše 5 razine. Tvornička postavka posebno je napravljena za ovaj model, pratite gore navedene upute da biste je provjerili na svom uređaju.

- Ako na suđu primijetite plavičaste pruge, postavite nizak broj ((1-2).
- Ako na suđu ima kapi vode ili tragova kamenca, postavite viši broj (3-4)

### PUNJENJE SPREMNIKA ZA DETERDŽENT

**Za otvaranje spremnika za deterdžent upotrijebite uređaj za otvaranje C. Deterdžent stavite samo u suhi spremnik D. Količinu deterdženta za pretpranje stavite izravno u kadu.**



1. Prilikom doziranja deterdženta pogledajte ranije navedene informacije kako biste stavili odgovarajuću količinu. Unutar dozatora **D** nalaze se oznake koje vam pomažu prilikom doziranja.
2. Uklonite ostatke deterdženta s rubova spremnika prije no što poklopac zatvorite tako da sjedne.
3. Poklopac spremnika za deterdžent zatvorite tako da ga povučete dok se mehanizam za zatvaranje ne učvrsti.

Spremnik za deterdžent automatski se otvara u odgovarajućem trenutku ovisno o programu.

Ako se upotrebljava kombinirani deterdžent, preporučujemo upotrebu gumba **TABLETE** jer on prilagođava program tako da se uvijek ostvaruju najbolji rezultati pranja i sušenja.

**Upotreba deterdženta koji nije namijenjen perilicama posuđa može prouzročiti nepravilnosti ili oštećenje uređaja.**

# TABLICA PROGRAMA

Program	Faza sušenja	NaturalDry	Dostupne opcije *)	Trajanje programa pranja (h:min)**	Potrošnja vode (litara po ciklusu)	Potrošnja energije (kWh po ciklusu)
1. Eko ECO 50°	✓	✓		3:10	9,5	0,85
2. 6 <sup>th</sup> Sense 50-60°	✓	✓		1:25 - 3:00	7,0 - 14,0	0,90 - 1,40
3. Intenzivno 65°	✓	✓		2:50	14,0	1,50
4. Brzo pranje i sušenje 50°	✓	✓		1:25	11,5	1,10
5. Kristal 45°	✓	✓		1:40	11,5	1,20
6. Brzo 30' 50°	-	-		0:30	9,0	0,50
7. Tiho 50°	✓	✓		3:30	15,0	1,15
8. Pretpranje -	-	-		0:12	4,5	0,01

Podaci EKO programa izmjereni su u laboratorijskim uvjetima u skladu s europskom normom EN 60436:2020. Napomena za pokusne laboratorije: podrobne informacije o uvjetima za komparativni pokus EN zatražite na adresi: [dw\\_test\\_support@europeanappliances.com](mailto:dw_test_support@europeanappliances.com)

Prije primjene bilo kojeg programa nije potrebno obraditi posuđe.

\*) Sve opcije ne mogu se istovremeno upotrebljavati.

\*\*\*) Vrijednosti navedene za programe, osim programa Eko, služe isključivo kao informacija. Stvarno vrijeme može se razlikovati ovisno o brojnim čimbenicima kao što su temperatura i tlak ulazne vode, sobna temperatura, količina deterdženta, količina i vrsta punjenja, ravnoteža punjenja, dodatne odabrane opcije i baždarenje senzora. Baždarenje senzora može povećati trajanje programa do 20 min.

## OPIS PROGRAMA

### Upute za odabir ciklusa pranja.

#### 1 EKO

Program Eko prikladan je za uobičajeno prljavo posuđe i pri takvoj je upotrebi to najučinkovitiji program po pitanju ukupne potrošnje vode i energije i upotrebljava se za procjenu usklađenosti s propisima EU o ekološkom načinu izrade.

#### 2 6<sup>th</sup> SENSE

Za uobičajeno prljavo posuđe s ostacima sasušene hrane. Osjeća razinu zaprljanosti posuđa i prema tome podešava program. Kad senzor otkrije razinu zaprljanosti prikazuje se animacija na zaslonu i ažurira se trajanje ciklusa.

#### 3 INTENZIVNO

Preporučeni program za jako prljavo posuđe, posebno pogodan za tave i tave za umake (ne upotrebljavati za osjetljivo posuđe).

#### 4 BRZO PRANJE I SUŠENJE

Normalno zaprljano posuđe. Svakodnevni ciklus koji omogućuje optimalne rezultate čišćenja i sušenja za manje vremena.

#### 5 KRISTAL

Program za osjetljivo posuđe koje je osjetljivije na visoke temperature, primjerice čaše i šalice.

#### 6 BRZO 30'

Program koji se treba upotrebljavati pola punjenja malo zaprljanog posuđa bez osušenih ostataka hrane. Nema faze sušenja.

#### 7 TIHO

Prikladno za noćni rad uređaja. Osigurava optimalnu učinkovitost čišćenja i sušenja uz najnižu emisiju buke.

#### 8 PRETPRANJE

Upotrebljava se za osvježavanje posuđa koje će se prati kasnije. S ovim programom ne upotrebljava se deterdžent.

#### Napomene:

Napominjemo da je ciklus Brzo 30' namijenjen isključivo malo zaprljanom posuđu.

# OPCIJE I FUNKCIJE

OPCIJE se mogu izravno odabrati pritiskom na odgovarajući gumb (pogledajte UPRAVLJAČKA PLOČA).

**Ako neka opcija nije kompatibilna s odabranim programom (pogledajte TABLICU PROGRAMA) odgovarajuće LED svjetlo 3 puta brzo trepne i oglašava se zvučno upozorenje bip. Opcija se neće omogućiti.**

## MULTI ZONE MULTIZONE

Ako nemate puno suđa koje treba oprati, može se upotrijebiti pola punjenja kako biste uštedjeli vodu, struju i deterdžent. Odaberite program i zatim pritisnite gumb MULTIZONE: na zaslonu se pojavljuje simbol odabrane košare. Po zadanim postavkama uređaj pere posuđe u svim košarama. Za pranje samo određene košare uzastopce pritisćite taj gumb:



prikazano na zaslonu (samo donja košara)



prikazano na zaslonu (samo gornja košara)



prikazano na zaslonu (opcija je isključena i uređaj će prati suđe u svim košarama).

**Zapamtite da trebate napuniti samo donju ili gornju košaru i sukladno tome smanjiti količinu deterdženta.**

**Ako izvadite gornju košaru, deterdžent stavljajte izravno u unutrašnjost uređaja umjesto u spremnik za deterdžent.**

## ODGODA

Vrijeme pokretanja programa može se odgoditi u razdoblju između 1 i 12 sati.

1. Pritisnite gumb ODGODE: odgovarajući simbol "h" pojavljuje se na zaslonu; svakim pritiskom gumba povećat će se vrijeme (1 h, 2 h i tako do maks. 12 h) od početka željenog ciklusa pranja.
2. Odaberite program pranja, pritisnite tipku START/PAUZA pa zatvorite vrata u roku 4 sekunde: mjerač vremena započet će odbrojavanje.
3. Po isteku vremena svjetlo indikatora "h" isključuje se i ciklus pranja započinje.

Za podešavanje vremena odgode i odabir kraćeg razdoblja, pritisnite gumb ODGODE). Za njeno poništavanje uzastopce pritisćite gumb sve dok se ne isključi svjetlo indikatora "h" odabrane odgode pokretanja.

**Funkcija ODGODE ne može se postaviti nakon početka programa.**

## TURBO

Ta se opcija može upotrebljavati za smanjenje trajanja glavnih programa održavajući pritom iste razine učinkovitosti pranja i sušenja.

Nakon odabira programa pritisnite gumb TURBO i uključit će se svjetlo indikatora. Ponovno pritisnite isti gumb kako biste poništili opciju.

## POWER CLEAN®

Zahvaljujući dodatnim snažnim sapnicama ova opcija omogućuje intenzivnije i snažnije pranje u donjem koritu, na određenom području. Ta se opcija preporučuje za pranje lonaca i posuda za pečenje. Pritisnite taj gumb kako biste aktivirali POWER CLEAN (zasvijetlit će indikator).

## TABLETA (Tab)

Ova postavka omogućuje optimiziranje učinkovitosti programa ovisno o vrsti deterdženta. Pritisnite gumba START/PAUZA na 3 sekunde (uključit će se odgovarajući simbol) ako upotrebljavate kombinirani deterdžent u tabletama (sredstvo za ispiranje, sol i deterdžent u 1 dozi).

**Ako upotrebljavate deterdžent u prahu ili tekući deterdžent, ta opcija treba biti isključena.**

## NaturalDry

*NaturalDry* konvekcijski je sustav sušenja koji automatski otvara vrata tijekom/nakon faze sušenja da bi svakodnevno zajamčio izvanrednu učinkovitost sušenja. Vrata se otvaraju na temperaturi sigurnoj za vaš kuhinjski namještaj stoga se vrata neće otvarati kada je uključena opcija TURBO.

Kao dodatnu zaštitu od pare, zajedno s perilicom posuđa, isporučuje se posebno dizajnirana zaštitna folija. Način postavljanja zaštitne folije pogledajte u dijelu (VODIČ ZA POSTAVLJANJE).

Korisnik funkciju *NaturalDry* može isključiti na sljedeći način:

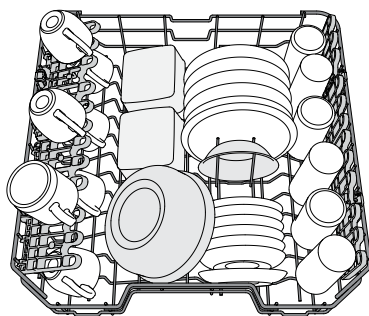
1. Idite na izbornik softvera Perilica posuđa tako da pritisnete i držite gumb "P" (6 s).
2. Prebacili ste se na izbornik upravljanja *NaturalDry* u kojem možete promijeniti stanje funkcije *NaturalDry* pritiskom na gumb "P":

**E** – omogućeno                      **d** – onemogućeno

Da biste potvrdili promjenu i izašli iz izbornika upravljanja, pritisnite i držite gumb "P" (3 s).

# PUNJENJE KOŠARA

## GORNJA KOŠARA



(primjer punjenja za gornju košaru)

Punite je osjetljivim, laganim sudem: čašama, šalicama, posudama za umake i laganim zdjelama za salatu.

## PODEŠAVANJE GORNJE KOŠARE PO VISINI

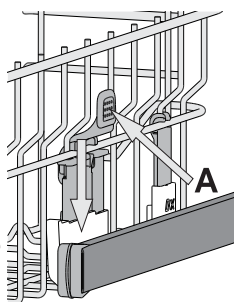
Visina gornje košare može se podesiti: visoki položaj za postavljanje glomaznog suđa u donju košaru i niski položaj za potpuno iskorišćenje potporna za postavljanje stvaranjem više mjesta u gornjem dijelu i izbjegavanje udaraca s predmetima u donjoj košari.

Gornja je košara opremljena **mehanizmom za podešavanje gornje košare po visini** (pogledajte sliku) i bez pritiska na ručice podignite je tako da smo uhvatite stranice košare čim je košara stabilna u svom gornjem položaju.

Za ponovno postavljanje u donji položaj pritisnite ručice **A** na stranicama košare i pomaknite je prema dolje.

**Preporučujemo da podešavanje po visini ne obavljate s punom košarom.**

**Košaru NIKADA ne podižite ili spuštajte samo na jednoj strani.**



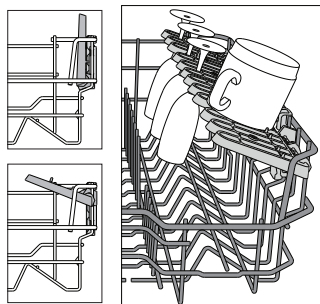
## POMIČNI PREKLOPI S PODESIVIM POLOŽAJEM

Bočni pomični preklopi mogu se sklopiti ili rasklopiti da bi se poboljšalo slaganje posuđa u košaru.

Čaše za vino mogu se sigurno postaviti u pomične preklope tako da se nožica svake čaše umetne u odgovarajući otvor.

Ovisno o modelu:

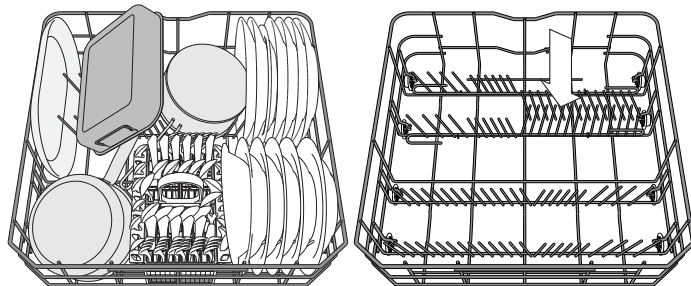
- preklope sklopite tako da ih skliznete i okrenete ili ih otpustite iz utora i izvučete.
- preklope rasklopite tako da ih okrenete i klizno pomaknete prema dolje ili podignete i preklope pričvrstite na utore.



## DONJA KOŠARA

Za lonce, tave, tanjure, zdjele za salatu, pribor za jelo itd. Velike tanjure i poklopce idealno bi bilo postaviti sa strane kako bi se izbjeglo da ometaju nosače mlaznica.

Donja košara ima potporna za postavljanje koji se mogu upotrebljavati u okomitom položaju prilikom slaganja tanjura ili u vodoravnom (donjem) položaju za jednostavno slaganje zdjela za salatu.

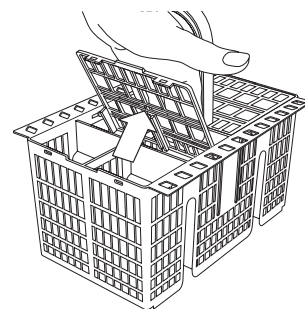


(primjer punjenja za donju košaru)

## KOŠARA ZA PRIBOR ZA JELO

Opremljena je gornjom rešetkom za bolje slagane pribora za jelo. Mora se postaviti isključivo na prednji dio donje košare.

**Noževi i ostali pribor trebaju se postaviti u košaru pribora za jelo s vrhom okrenutim prema dolje ili se moraju staviti vodoravno u spremnike s potpornjem u gornjoj košari.**



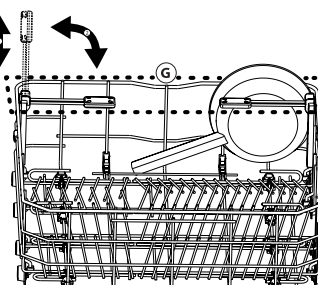
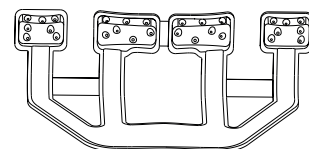
## POWER CLEAN U DONJOJ KOŠARI

Način Power Clean® koristi posebne mlaznice vode u stražnjem dijelu kako bi se intenzivnije opralo jako zaprljano posuđe. Donja košara ima Prostrano područje, poseban potporanj za izvlačenje u stražnjem dijelu košare koji se može upotrijebiti kao potpora za tave ili posude za pečenje u uspravnom položaju kako bi zauzimale manje.

Kada stavljate lonce/posude za pečenje okrenute prema sastavnom dijelu Power Clean®, na ploči uključite **POWER CLEAN**.

Način upotrebe dijela Power Clean®:

1. Područje snažnog čišćenja Power Clean® (G) namjestite sklapanjem stražnjih držača za tanjure kako biste stavili lonce.
2. Lonce i posude za pečenje postavite nagnute okomito u područje snažnog čišćenja Power Clean®. Posuđe nagnite prema sapnicama snažnog čišćenja.



# SVAKODNEVNA UPORABA

## 1. PROVJERA PRIKLJUČKA ZA VODU

Provjerite je li perilica suđa spojena na dovod vode i je li otvorena slavina.

## 2. UKLJUČIVANJE PERILICE SUĐA

Otvorite vrata i pritisnite gumb **uključivanje/isključivanje**.

## 3. PUNJENJE KOŠARA (pogledajte PUNJENJE KOŠARA).

## 4. PUNJENJE SPREMNIKA ZA DETERDŽENT

## 5. ODABIR PROGRAMA I PRILAGOĐAVANJE CIKLUSA

Odaberite najprikladniji program prema vrsti posuđa i razini zaprljanja (pogledajte OPIS PROGRAMA) pritiskom na gumb **P**.

Odaberite željene opcije (pogledajte OPCIJE I FUNKCIJE).

## 6. POKRETANJE

Ciklus pranja započnite pritiskom na gumb **START/PAUZA** (uključeno je led svjetlo) i zatvorite vrata u roku od 4 s. Kada program započne oglašava se jedan zvučni signal bip. Ako se vrata ne zatvore u roku od 4 s, oglasit će se zvučni alarm. U tom slučaju otvorite vrata, pritisnite gumb **START/PAUZA** i ponovno zatvorite vrata u roku od 4 s.

## 7. KRAJ CIKLUSA PRANJA

Kraj ciklusa pranja označavaju zvučni signali bip i treperenje broja ciklusa pranja na zaslonu. Otvorite vrata i uređaj isključite tako da pritisnete gumb za **uključivanje/isključivanje**.

Pričekajte nekoliko minuta prije vađenja posuđa kako biste izbjegli opekotine. Ispraznite košare, započinjući s donjom košarom.

**Stroj će se automatski isključiti tijekom produženog razdoblja neaktivnosti kako bi se smanjila potrošnja struje.**

**Ako je posuđe samo malo prljavo ili ako ga ispirate prije stavljanja u perilicu posuđa, u skladu s tim smanjite količinu deterdženta.**

## IZMJENA PROGRAMA RADA

Ako odaberete pogrešan program, možete ga promijeniti pod uvjetom da je tek započeo: otvorite vrata, pritisnite i držite gumb za **uključivanje/isključivanje**, stroj će se isključiti.

Ponovno uključite stroj pomoću gumba za **uključivanje/isključivanje** i odaberite novi ciklus pranja i sve željene opcije; ciklus pokrenite pritiskom na gumb **START/PAUZA** i zatvaranjem vrata u roku od 4 s.

## DODAVANJE DODATNOG SUĐA

Ne isključujući uređaj otvorite vrata (led svjetlo **START/PAUZA** počinje treperiti) (**pazite na VRUĆU paru!**) i posuđe stavite u perilicu. Pritisnite gumb **START/PAUZA** i zatvorite vrata u roku od 4 s, ciklus će se nastaviti od mjesta na kojem je prekinut.

## SLUČAJNI PREKIDI

Ako se tijekom ciklusa pranja vrata otvore ili ako je došlo do nestanka struje, ciklus se zaustavlja. Za nastavak rada od mjesta prekida ciklusa, pritisnite gumb **START/PAUZA** i zatvorite vrata u roku od 4 s.

# SAVJETI

## SAVJETI

Prije punjenja košara uklonite sve ostatke hrane s posuđa i ispraznite čaše. **Ne morate ih ispirati tekućom vodom.**

Posuđe složite tako da čvrsto stoji i ne prevrće se; spremnike složite tako da su otvori okrenuti prema dolje, a konkavni/konveksni dijelovi ukošeni kako bi se omogućilo da voda dođe do svih površina i slobodno protiče.

**Upozorenje:** poklopci, ručke, pladnjevi i tave ne sprječavaju okretanje nosača mlaznica.

Sitne predmete stavite u košare za pribor za jelo.

Vrlo prljavo suđe i tave treba staviti u donju košaru jer je u tom dijelu jači mlaz vode i omogućuje se bolja učinkovitost pranja.

Nakon punjenja uređaja provjerite mogu li se nosači mlaznica slobodno okretati.

## NEPRIKLADNO SUĐE

- Drveno suđe i pribor za jelo.
- Osjetljive ukrašene čaše, umjetnički predmeti i antičko suđe. Njihovi ukrasi nisu otporni.
- Dijelovi od sintetičkog materija koji ne podnose visoke temperature.
- Suđe od bakra i lima.
- Suđe zaprljano pepelom, voskom, mazivima ili tintom.

Boje ukrasa na čašama i aluminijski/srebrni dijelovi mogu se promijeniti i izbljediti tijekom postupka pranja. Neke vrste čaša (npr. kristali predmeti) mogu se postati neprozirni nakon određenog broja ciklusa pranja.

## OŠTEĆENJE ČAŠA I SUĐA

- Upotrebljavajte samo čaše i porculansko suđe za koje proizvođač jamči da se može prati u perilici suđa.
- Upotrebljavajte deterdžent za osjetljivo posuđe prikladan za posuđe.
- Čaše i pribor za jelo izvadite iz perilice suđa čim ciklus pranja završi.

## SAVJETI ZA UŠTEDU ENERGIJE

- Kada se perilica posuđa u domaćinstvu upotrebljava u skladu s uputama proizvođača **pranjem posuđa u perilici posuđa obično se troši MANJE ENERGIJE i vode nego prilikom ručnog pranja.**
- Preporučujemo da povećate učinkovitost perilice posuđa tako da **ciklus pranja pokrećete tek kada je perilica posuđa do kraja napunjena.** Kada perilicu posuđa punite do kapaciteta koji je naveo proizvođač, pridonosite uštedi energije i vode. Podatke o pravilnom punjenju posuđa možete pronaći u poglavlju PUNJENJE KOŠARA. U slučaju da je perilica djelimično napunjena, preporučuje se da upotrebljavate posebne opcije pranja, ako su dostupne (Half load/ Zone Wash/ Multizone) i punite samo odabrane košare. Nepravilno punjenje ili pretjerano punjenje može povećati upotrebu resursa (kao što su voda, energija i vrijeme te povećati razinu buke) i smanjiti učinkovitost pranja i sušenja.
- Ručno ispiranje posuđa dovodi do veće potrošnje vode i energije te se ne preporučuje.

## HIGIJENSKI PROGRAM

Kako bi se izbjegla pojava neugodnih mirisa i taloga koji se može nakupiti u perilici suđa, **program s visokom temperaturom pokrećite najmanje jednom mjesečno.** Upotrijebite čajnu žlicu deterdženta i pokrenite perilicu bez punjenja kako biste očistili uređaj.

# ČIŠĆENJE I ODRŽAVANJE

## ČIŠĆENJE SKLOPA FILTRA

Redovito čistite sklop filtra tako da se filtri ne začepe i da otpadna voda ispravno istječe.

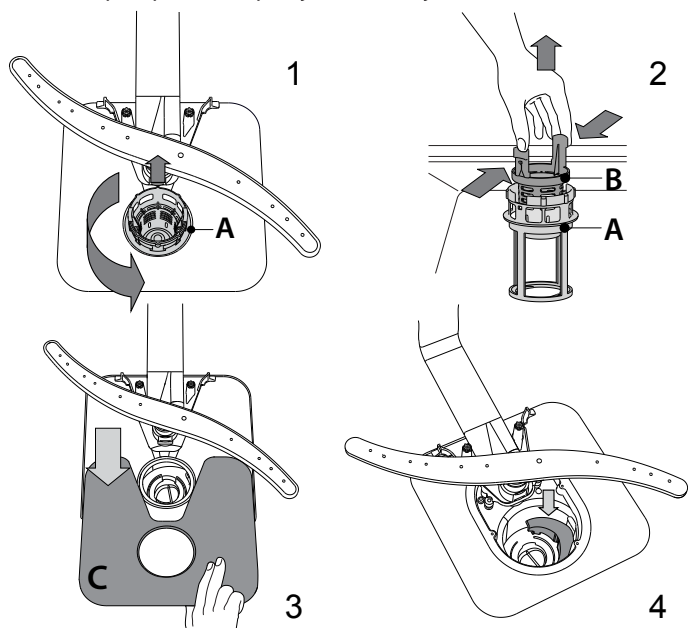
Upotreba perilice posuđe sa začepljenim filtrima ili stranim predmetima u sustavu filtriranja ili prskalicama može prouzročiti neispravnosti koje dovode do gubitka učinkovitosti, veće buke u radu ili veće potrošnje energenata.

Sklop filtra sastoji se od tri filtra koji uklanjaju ostatke hrane iz vode za pranje i zatim ponovno pokreću kruženje vode: za najbolje rezultate pranja održavajte ih čistim.

**Perilica suđa ne smije se upotrebljavati bez filtara ili s otpuštenim filtrom.**

Najmanje jednom mjesečno ili nakon svakih 30 ciklusa pranja provjerite sklop filtra i po potrebi ga temeljito očistite tekućom vodom upotrebljavajući četku koja nije od metala i prema uputama u nastavku:

1. Cilindrični filtar **A** okrenite u smjeru suprotnom od smjera kazaljke na satu i izvucite ga (sl. 1).
2. Skinite filtar šalicu **B** tako da lagano pritisnete bočna krilca (sl. 2).
3. Klizno izvadite pločasti filtar od nehrđajućeg čelika **C** (sl. 3).
4. Ako pronađete strane predmete (npr. razbijeno staklo, porculan, kosti, sjemenke voća itd.), **pažljivo ih uklonite**.
5. Pregledajte otvor i uklonite sve ostatke hrane. **NIKADA NE SKIDAJTE** štitnik pumpe ciklusa pranja (crni detalj) (sl. 4).



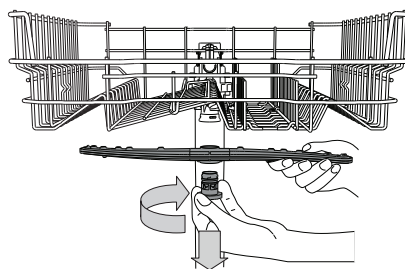
Nakon čišćenja filtara vratite sklop filtra i pravilno ga učvrstite na mjesto; to je važno za održavanje učinkovitog rada perilice suđa.

## ČIŠĆENJE ULAZNOG CRIJEVA ZA VODU

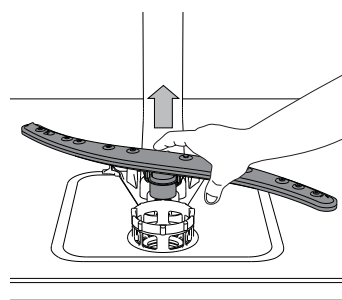
Ako su crijeva za vodu nova ili se dulje vrijeme nisu upotrebljavala pustite da kroz njih prođe voda kako biste bili sigurni da nema nečistoća prije obavljanja potrebnih priključivanja. Ako se ne pridržavate te mjera opreza, može se dogoditi da je blokiran ulaz vode u da se perilica suđa ošteti.

## ČIŠĆENJE NOSAČA MLAZNICA

Povremeno, ostaci hrane mogu se skoriti na nosačima mlaznica i blokirati otvore za raspršivanje vode. Zbog toga se preporučuje da povremeno provjerite nosače i očistite ih malom četkicom koja nije metalna.



Gornji krak mlaznice skinite tako da okrenete plastični prsten za završavanje u smjeru kazaljke na satu. Gornji nosač mlaznice treba se zamijeliti tako da je strana s većim brojem otvora okrenuta prema gore.



Donji krak mlaznice može se skinuti tako da se povuče prema gore.

## SUSTAV OMEKŠAVANJA VODE

Omekšivač vode automatski smanjuje tvrdoću vode čime se posljedično smanjuje nakupljanje kamenca na grijaču i pridonosi većoj učinkovitosti pranja.

**Ovaj se sustav sam obnavlja pomoću soli pa zato spremnik soli treba napuniti kada je prazan.**



Učestalost obnavljanja ovisi o postavci razine tvrdoće vode – obnavljanje se odvija jednom na svakih 6 Eko ciklusa s razinom tvrdoće vode postavljenom na 3.

Postupak obnavljanja započinje u fazi završnog ispiranja i završava u fazi sušenja, prije završetka ciklusa.

- Potrošnja jednog ciklusa obnavljanja: ~3,5 l vode;
- Ciklus traje 5 minuta dulje;
- Troši manje od 0,005 kWh struje.

# RJEŠAVANJE PROBLEMA

Ako vaša perilica posuđa ne radi ispravno, provjerite može li se problem riješiti prateći popis u nastavku. U slučaju pojave drugih grešaka ili problema obratite se ovlaštenom postprodajnom servisu čije podatke za kontakt možete pronaći u knjižici jamstva. Rezervni dijelovi bit će dostupni u razdoblju narednih 7 ili 10 godina, ovisno o posebnim zakonskim propisima.

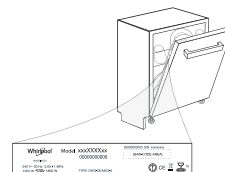
PROBLEMI	MOGUĆI UZROCI	RJEŠENJA
 Indikator soli je uključen	Spremnik soli je prazan. (Indikator soli može nakon punjenja ostati uključen kroz nekoliko ciklusa pranja).	Napunite spremnik za sol solju (za više informacija pogledajte stranicu 2). Podesite tvrdoću vode - pogledajte tablicu na stranici 2.
 Indikator sredstva za ispiranje je uključen	Spremnik sredstva za ispiranje je prazan. (Indikator sredstva za ispiranje može nakon punjenja ostati uključen kroz nekoliko ciklusa pranja).	Napunite spremnik sredstvom za ispiranje (za više informacija pogledajte stranicu 2).
Perilica suđa se ne pokreće ili ne odgovara na komande.	Uređaj nije ispravno priključen.	Uključite utikač u električnu utičnicu.
	Nestanak struje.	Perilica posuđa se iz sigurnosnih razloga neće automatski pokrenuti nakon povratka struje. Otvorite vrata perlice posuđa, pritisnite gumb START/Pauza i u roku od 4 sekunde zatvorite vrata.
	Vrata perlice posuđa nisu zatvorena. Pin NaturalDry nije uvučen.	Vrata čvrsto zatvorite tako da začujete "klik".
	Ciklus se prekida ako su vrata otvorena > 4 sek.	Pritisnite START/Pauza i zatvorite vrata uređaja u roku od 4 sekunde.
Perilica suđa ne ispušta vodu. Na zaslonu se prikazuje: <b>3</b> i LED svjetlo Uklj/isklj brzo treperi	Ne odgovara na komande. Display shows: <b>9</b> ili <b>12</b> i LED svjetlo Uklj/isklj brzo treperi	Uređaj isključite pritiskom na gumb uključivanje/isključivanje pa ga nakon otprilike jedne minute ponovno uključite i ponovno pokrenite program. Ako se problem i dalje javlja, uređaj iskopčajte na 1 minutu, zatim ga ponovno ukopčajte.
	Ciklus pranja još nije završio.	Pričekajte da ciklus pranja završi.
Perilica suđa ne ispušta vodu. Na zaslonu se prikazuje: <b>3</b> i LED svjetlo Uklj/isklj brzo treperi	Odvodno crijevo je savijeno.	Provjerite da crijevo za pražnjenje nije savijeno (pogledajte <i>UPUTE ZA POSTAVLJANJE</i> ).
	Crijevo za pražnjenje izljeva je blokirano.	Očistite crijevo za pražnjenje izljeva.
	Filtar je začepljen ostacima hrane	Čišćenje filtra (pogledajte <i>ČIŠĆENJE SKLOPA FILTRA</i> ).
Perilica suđa stvara preveliku buku.	Suđe se međusobno udara.	Pravilno složite suđe (pogledajte <i>PUNJENJE KOŠARA</i> ).
	Došlo je do stvaranja prevelike količine pjene.	Deterdžent nije pravilno izmjeren ili nije prikladan za upotrebu u perilici suđa (pogledajte <i>PUNJENJE DOŽATORA ZA DETERDŽENT</i> ). Ponovno pokrenite trenutni ciklus isključivanje perlice posuđa i zatim njenim ponovnim uključivanjem, odaberite novi program, pritisnite START/Pauza i zatvorite vrata u roku 4 sekunde. Nemojte dodavati deterdžent.
Suđe nije čisto.	Suđe nije ispravno složeno.	Pravilno složite suđe (pogledajte <i>PUNJENJE KOŠARA</i> ).
	Nosači mlaznica ne mogu se slobodno okretati jer ih ometa suđe.	Pravilno složite suđe (pogledajte <i>PUNJENJE KOŠARA</i> ).
	Ciklus pranja je prenježan.	Odaberite odgovarajući ciklus pranja (pogledajte <i>TABLICU PROGRAMA</i> ).
	Došlo je do stvaranja prevelike količine pjene.	Deterdžent nije pravilno izmjeren ili nije prikladan za upotrebu u perilici suđa (pogledajte <i>PUNJENJE DOŽATORA ZA DETERDŽENT</i> ).
	Čep na spremniku sredstva za ispiranje nije pravilno zatvoren.	Provjerite je li čep spremnika za ispiranje zatvoren.
	Filtar je prljav ili začepljen.	Očistite sklop filtra (pogledajte <i>ČIŠĆENJE I ODRŽAVANJE</i> ).
Perilica posuđa ne puni se vodom. Na zaslonu se prikazuje: <b>H</b> , <b>6</b> i LED svjetlo Uklj/isklj brzo treperi	Nema soli.	Napunite spremnik soli (pogledajte <i>PUNJENJE I SPREMNİK SOLI</i> ).
	Nema vode u dovodu vode ili je slavina zatvorena.	Provjerite ima li vode u dovodu vode ili radi li slavina.
	Dovodno crijevo je savijeno.	Provjerite da dovodno crijevo nije savijeno (pogledajte <i>INSTALACIJA</i> ), ponovno programirajte perilicu posuđa i ponovno pokrenite.
	Sito na dovodnom crijevu vode je začepljeno; treba ga očistiti.	Nakon provjere i čišćenja isključite i uključite perilicu posuđa i pokrenite novi program.
Perilica posuđa prerano završava ciklus. Na zaslonu se prikazuje: <b>15</b> i LED svjetlo Uklj/isklj brzo treperi	Odvodno je crijevo prenisko postavljeno ili se izljeva u kanalizaciju.	Provjerite je li kraj odvodnog crijeva na ispravnoj visini (pogledajte <i>INSTALACIJA</i> ). Provjerite izljev u kanalizaciju, ugradite, prema potrebi, ventil za ulaz zraka.
	Zrak u dovodu vode.	Provjerite da na dovodu vode nema propuštanja ili drugih problema koji omogućuju ulaz zraka.



Pravila, standardne dokumente, naručivanje rezervnih dijelova i dodatne informacije o proizvodu možete pronaći tako:

- Posjetite naše web.mjesto [docs.whirlpool.eu/docs](https://docs.whirlpool.eu/docs) i [parts-selfservice.europeanappliances.com](https://parts-selfservice.europeanappliances.com)
- Upotrebom QR koda
- Možete i **kontaktirati naš postprodajni servis** (broj telefona potražite u knjižici jamstva). Kada se obraćate našem postprodajnom servisu navedite kodove navedene na identifikacijskoj pločici proizvoda.

Informacije o modelu mogu se dobiti pomoću QR koda koji se nalazi na oznaci energetske učinkovitosti. Na oznaci se nalazi i identifikacijska oznaka modela koji se može upotrijebiti za pregledavanje portala registra na <https://eprel.ec.europa.eu>



**400011483000B**

12/2024 ks - Xerox Fabriano





# MINDENNAPI HASZNÁLATI ÚTMUTATÓ



**KÖSZÖNJÜK, HOGY A WHIRLPOOL TERMÉKÉT VÁLASZTOTTA!** Teljes körű támogatásért kérjük, regisztrálja termékét honlapunkon: [www.whirlpool.eu/register](http://www.whirlpool.eu/register)

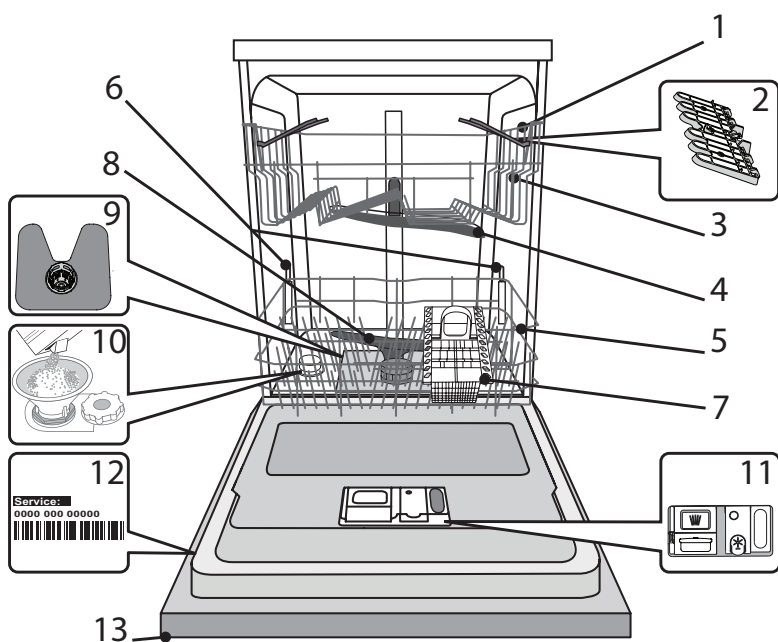


Ha szeretné letölteni a Biztonsági útmutatót és a Használati útmutatót, látogassa meg a webhelyünket: [docs.whirlpool.eu/docs](http://docs.whirlpool.eu/docs) és kövesse a füzet hátulján található utasításokat.

**A készülék használata előtt olvassa el figyelmesen a Biztonsági útmutatót.**

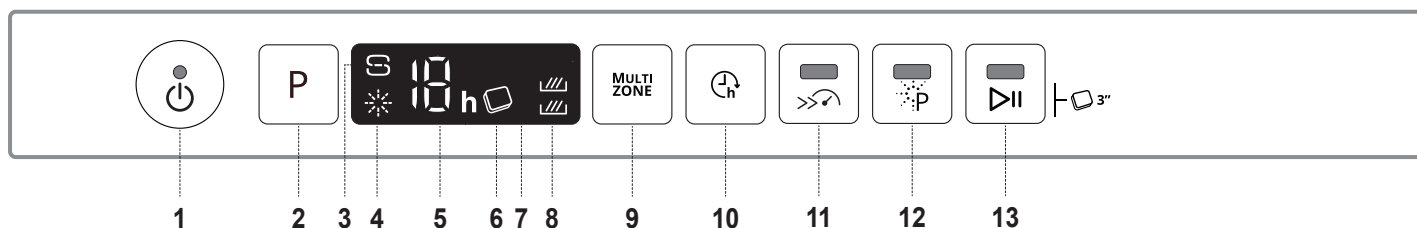
## A TERMÉK BEMUTATÁSA

### KÉSZÜLÉK



1. Felső kosár
2. Lehajtható polcok
3. Felső kosár magasságbeállítója
4. Felső permetezőkar
5. Alsó kosár
6. Power Clean támogatás
7. Evőeszközkosár
8. Alsó permetezőkar
9. Szűrőegység
10. Sótartály
11. Mosogatószer- és öblítőszer-adagoló
12. Adattábla
13. Kezelőpanel

### KEZELŐPANEL



1. Be/Ki/Újrindítás gomb és jelzőfény
2. Programválasztó gomb
3. Só utántöltése jelzőfény
4. Öblítőszer utántöltése jelzőfény
5. Program száma és a késleltetés kijelzése
6. Tabletta (Tab) jelzőfény
7. Kijelző
8. Multizone jelzőfénye
9. Multizone gomb
10. Késleltetés gomb
11. Turbo gomb és jelzőfény
12. Power Clean® gomb és jelzőfény
13. Indítás/Szünet gomb és jelzőfény / Tabletta (Tab)

# ELSŐ HASZNÁLAT SÓ, ÖBLÍTŐSZER ÉS MOSOGATÓSZER


## TANÁCSOK AZ ELSŐ HASZNÁLATHOZ

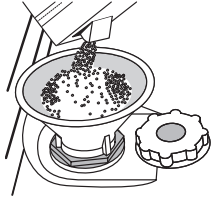
Az üzembe helyezés után távolítsa el az ütközőket a kosarakról és a rugalmas rögzítőelemeket a felső kosárról.

## A SÓTARTÁLY FELTÖLTÉSE

Só használatával elkerülhető, hogy VÍZKŐ képződjön az edényeken és a gép funkcionális alkatrészein.

- Feltétlenül szükséges, hogy a **SÓTARTÁLY SOHA NE LEGYEN ÜRES.**
- Fontos, hogy a vízkeménység be legyen állítva.

A sótartály a mosogatógép alsó részén található (lásd **TERMÉK BEMUTATÁSA**), és akkor kell feltölteni, amikor a kezelőpanelen az, **SÓ UTÁNTÖLTÉSE** jelzőfény  világítani kezd.



1. Vegye ki az alsó kosarat, és csavarja ki a tartály kupakját (az óramutató járásával ellentétes irányba).
2. **Csak a legelső használatkor: tölts fel vízzel a sótartályt!**
3. Helyezze be a tölcserít (lásd az ábrát), és tölts fel teljesen a sótartályt (ehhez kb. 1 kg só szükséges). Előfordulhat, hogy egy kevés víz kifolyik a rekeszből.
4. Vegye ki a tölcserít, és törölje le az esetlegesen kiszóródott sót a nyílás környékéről.

Zárja vissza szorosan a kupakot úgy, hogy a mosogatási program során ne kerülhessen mosogatószer a tartályba (ellenkező esetben a vízlágyító helyrehozhatatlanul károsodhat).

**Ha esedékes a só hozzáadása, mindenképpen el kell végezni az eljárást a mosogatási ciklus megkezdése előtt a korrózió elkerülése érdekében.**

## A VÍZKEMÉNYSÉG BEÁLLÍTÁSA

A vízlágyító akkor működik tökéletesen, ha a vízkeménységet a lakóhelyén elérhető víz tényleges keménysége alapján állítja be. Ezzel kapcsolatban érdeklődjön a helyi vízműveknél.

A gyár beállítja a vízkeménység alapértelmezett értékét.

- Kapcsolja be a készüléket a **BE/KI** gombbal.
- Kapcsolja ki a készüléket a **BE/KI** gombbal.
- Nyomja meg és tartsa lenyomva a **P** gombot 5 másodpercig, amíg sípolás nem hallatszik.
- Kapcsolja be a készüléket a **BE/KI** gombbal.
- Villogni kezd az aktuálisan kiválasztott szintet jelző szám és asótöltetet jelző fény.
- Nyomja meg a **P** gombot a kívánt keménységi szint kiválasztásához (lásd **VÍZKEMÉNYSÉGI TÁBLÁZAT**).

Vízkeménységi táblázat

Szint	°dH Német rendszer	°fH Francia rendszer	°Clark Angol rendszer
1 Lágy	0 - 6	0 - 10	0 - 7
2 Közepes	7 - 11	11 - 20	8 - 14
3 Átlagos	12 - 16	21 - 29	15 - 20
4 Kemény	17 - 34	30 - 60	21 - 42
5 Nagyon kemény	35 - 50	61 - 90	43 - 62

- Kapcsolja ki a készüléket a **BE/KI** gombbal.
- A beállítás megtörtént.

Ezután edények nélkül futtasson le egy programot.

**Kizárólag mosogatógépekhez készült sót használjon.**

Miután sót öntött a készülékbe, a „SÓ UTÁNTÖLTÉSE” jelzőfény kialszik.

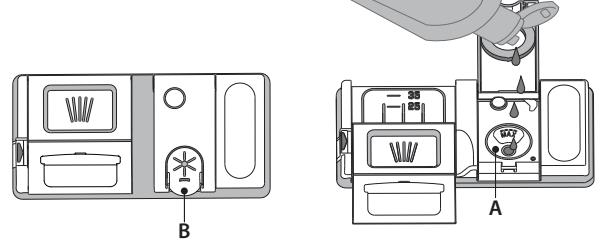
**Ha nem tölti fel a sótartályt, a vízlágyító és a fűtőelem a vízkő felhalmozódása miatt károsodhat.**

**Só használata bármilyen mosogatószer mellett ajánlott.**

## AZ ÖBLÍTŐSZER-ADAGOLÓ FELTÖLTÉSE

Az öblítőszerezrel könnyebben SZÁRADNAK az edények.

Az öblítőszerezadagoló **A** akkor kell feltölteni, ha az **ÖBLÍTŐSZER UTÁNTÖLTÉSE** jelzőfény  világít a kezelőpanelen.



1. Nyissa ki az adagolót **B** úgy, hogy a fedélen lévő fület lenyomja, majd felfelé húzza.
2. Óvatosan öntse be az öblítőszert. Ne lépje túl a tartályban jelölt maximális mennyiséget (110 ml), és ne öntse ki a folyadékot. Ha ez mégis megtörténik, azonnal törölje fel a kiömlött folyadékot egy száraz ruhával.
3. Csukja vissza a fedelet: ehhez nyomja le, amíg kattanás nem hallatszik. **SOHA ne öntse az öblítőszert közvetlenül a mosogatótérbe.**

## AZ ÖBLÍTŐSZER ADAGOLÁSA

Ha nem elégedett a szárítási eredménnyel, módosítsa a használt öblítőszerez mennyiségét.

- Kapcsolja be a mosogatógépet a **BE/KI** gombbal.
- Kapcsolja ki a készüléket a **BE/KI** gombbal.
- Nyomja meg háromszor a **P** gombot, ekkor sípolás hallatszik.
- Kapcsolja be a készüléket a **BE/KI** gombbal.
- Az aktuálisan kiválasztott szintet jelző szám és az öblítőszerez jelzőfénye villog.
- Az adagolandó öblítőszerez mennyiségét jelző szint beállításához nyomja meg a **P** gombot.
- Kapcsolja ki a készüléket a **BE/KI** gombbal.

A beállítás megtörtént.

Ha az öblítőszerez szintjét 0-ra állítja (ÖKO), a készülék nem adagol öblítőszerez. Az **ÖBLÍTŐSZER UTÁNTÖLTÉSE** jelzőfény nem fog kigyulladni, amikor kifogy az öblítőszerez.

A mosogatógép típusától függően legfeljebb 5 szint állítható be. A gyári beállítás a modelltől függ – az adott készüléken történő meghatározáshoz kövesse a fenti utasításokat.

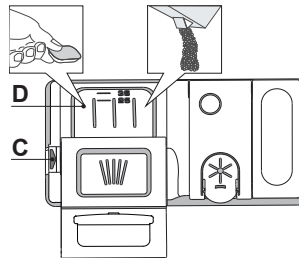
- Ha kékes csíkok jelennek meg az edényeken, alacsony értéket állítson be (1-2).
- Ha vízcspek vagy vízkő látható az edényeken, magas értéket állítson be (3-4).

## A MOSOGATÓSZER-ADAGOLÓ FELTÖLTÉSE

A mosogatószerez-adagoló nyitásához használja az **C** eszközt.

**A mosogatószerez kizárólag a száraz D adagolóba önthető.**

**Az előmosogatóshoz használt mosogatószerez közvetlenül a mosogatótérbe helyezze.**






















1. A mosogatószerez kimérésekor a helyes mennyiség meghatározását az eddigi információk alapján végezze. A mosogatószerez-adagoló **D** belsejében elhelyezett jelzések segítenek a megfelelő mennyiség meghatározásában.
2. Törölje le a kiömlött mosogatószerez az adagoló széléről, majd zárja vissza a fedelet kattanásig.
3. Zárja vissza a mosogatószerez-adagoló fedelét: húzza felfelé, amíg a zárszerkezet rögzül.

A mosogatószerez-adagoló automatikusan kinyílik, amikor a program az adott szakaszba ér.

Kombinált mosogatószerez használatkor javasoljuk, hogy nyomja meg a **TABLETTA** gombot. Ezzel a program úgy módosul, hogy a legjobb mosogatósi és szárítási eredményt nyújtsa.

**A nem mosogatógéphez készült mosogatószerez használata a készülék hibás működését vagy sérülését okozhatja.**

# PROGRAMTÁBLÁZAT

Program	Szárítási fázis	NaturalDry	Választható beállítások *)	A mosogatási program időtartama (óra:perc)**	Vízfogyasztás (liter/ciklus)	Energiafogyasztás (kWh/ciklus)
1. Öko ECO 50°	✓	✓	  	3:10	9,5	0,85
2. 6th Sense 50-60°	✓	✓	 MULTI ZONE >>>  	1:25 - 3:00	7,0 - 14,0	0,90 - 1,40
3. Intenzív 65°	✓	✓	 MULTI ZONE >>>  	2:50	14,0	1,50
4. Gyors mosogatás és szárítás 50°	✓	✓	 MULTI ZONE 	1:25	11,5	1,10
5. Kristálypohár 45°	✓	✓	 MULTI ZONE 	1:40	11,5	1,20
6. Gyors 30' 50°	-	-	 MULTI ZONE 	0:30	9,0	0,50
7. Halk 50°	✓	✓	 	3:30	15,0	1,15
8. Előmosás -	-	-	 MULTI ZONE 	0:12	4,5	0,01

Az ÖKO program adatainak mérése laboratóriumi körülmények között, az EN 60436:2020 európai szabvány előírásainak megfelelően történt. Megjegyzés a vizsgáló laboratóriumok számára: az EN összehasonlító vizsgálatainak körülményeivel kapcsolatos információkért írjon a következő címre: [dw\\_test\\_support@europeanappliances.com](mailto:dw_test_support@europeanappliances.com).

Az edények előkezelése egyik programnál sem szükséges.

\*) Nem minden opció használható egyszerre.

\*\*) Az energiatakarékos programtól eltérő programokhoz megadott értékek csak tájékoztató jellegűek. A tényleges időtartam számos tényezőtől függ, mint például a belépő víz hőmérsékletétől és nyomásától, a helyiség hőmérsékletétől, a mosogatószer mennyiségétől, az edények mennyiségétől és típusától, a súlyelosztástól, a kiválasztott kiegészítő funkcióktól és az érzékelő kalibrációjától. Az érzékelő kalibrációja akár 20 perccel is növelheti a program hosszát.

## A PROGRAMOK BEMUTATÁSA

### Utasítások a mosogatási ciklus kiválasztásához.

#### 1 ÖKO

Az energiatakarékos programmal átlagosan szennyezett edényeket tisztíthat, amely a kombinált energia- és vízfogyasztása miatt a leghatékonyabb program, és a segítségével kiértékelhető, hogy a készülék megfelel-e az EU energiatakarékos kivitelre vonatkozó jogszabályának.

#### 2 6th SENSE®

Normál szennyezettségű edényekhez, melyeken rászáradt ételmaradék található. Érzékeli a szennyezettség szintjét az edényeken, és a programot ennek megfelelően állítja be. Amikor az érzékelő a szennyezettségi szintet méri fel, a kijelzőn egy animáció látható, és frissül a mosogatási ciklus időtartama.

#### 3 INTENZÍV

Erősen szennyezett edényekhez ajánlott program, amely különösen serpenyőkhöz és sütőedényekhez ideális (kényes edényekhez nem használható).

#### 4 GYORS MOSOGATÁS ÉS SZÁRÍTÁS

Normál mértékben szennyezett edényekhez használható. Mindennap használható program, amely rövid idő alatt optimális mosogatási és szárítási eredményt nyújt.

#### 5 KRISTÁLYPOHÁR

Program az olyan kényes edényekhez, melyek az átlagnál érzékenyebbek a magas hőmérsékletre (például üvegpoharak, csészék).

#### 6 GYORS 30'

Program fél töltes enyhén szennyezett edényhez, amelyen nincs rászáradt ételmaradék. Nem rendelkezik szárítási szakasszal.

#### 7 HALK

Ha a készüléket éjszaka kívánja működtetni, ez a megfelelő program. Optimális mosogatási és szárítási eredményt nyújt a legalacsonyabb zajszint mellett.

#### 8 ELŐMOSÁS

Az edények frissítéséhez, amennyiben azokat később szeretné elmosogatni. Ehhez a programhoz nem kell mosogatószert használni.

#### Megjegyzések:

Vegye figyelembe, hogy a Gyors 30' program enyhén szennyezett edényekhez használható.

# OPCIÓK ÉS FUNKCIÓK

Az OPCIÓK kiválasztásához nyomja meg a megfelelő gombot (lásd: KEZELŐPANEL).

**Ha valamely opció nem kompatibilis a kiválasztott programmal (lásd: PROGRAMOK TÁBLÁZATA), a megfelelő LED háromszor gyorsan felvillan, és sípoló hangjelzések hallhatók. Az opció nem aktív.**

## MULTI ZONE MULTIZONE

Ha nincs sok mosatlan edény, vizet, áramot és mosogatószert takaríthat meg úgy, hogy fél töltettel indítja el a készüléket. Válassza ki a programot, majd nyomja meg a MULTIZONE gombot: megjelenik a választott kosárhoz tartozó szimbólum a kijelzőn. Alapértelmezett beállításként a készülék mindkét kosárban elvégzi a mosogatást. Ha csak az egyik kosár tartalmát szeretné elmosni, nyomja meg többször a gombot:



látható a kijelzőn (csak az alsó kosár aktív)



látható a kijelzőn (csak a felső kosár aktív)



látható a kijelzőn (a beállítás KI VAN KAPCSOLVA, a készülék az összes kosár tartalmát elmossa).

**Ne feleddje, hogy elegendő csak a felső vagy az alsó kosarat megtölteni, és ennek megfelelően csökkenthető a mosogatószert mennyisége is.**

**Ha a felső kosár ki van véve, a mosogatószert közvetlenül a tartályba adagolja, ne a mosogatószert-adagolóba.**



## KÉSLELTETÉS

A program indítása 1–12 órával késleltethető.

1. Nyomja meg a KÉSLELTETÉS gombot: a kijelzőn kigyullad a megfelelő „h” szimbólum; a gomb minden megnyomása-kor nő a beállított mosogatási ciklus indításáig hátralévő idő (1 óra, 2 óra stb., de legfeljebb 12 óra).
2. Válassza ki a mosogatási programot, nyomja meg a INDÍTÁS/SZÜNET gombot, és zárja be az ajtót 4 másodpercen belül. Az időzítő elkezd a visszaszámlálást.
3. A beállított idő leteltekor kialszik a „h” jelzőfény, és elindul a mosogatási ciklus.

A késleltetési idő módosításához, azaz rövidebb idő kiválasztásához nyomja meg a KÉSLELTETÉS gombot. A késleltetés törléséhez nyomja meg többször egymás után a gombot, amíg a késleltetett indításhoz tartozó „h” jelzőfény kialszik.

**A KÉSLELTETÉS funkció nem állítható be, ha a mosogatási ciklus már fut.**



## TURBO

Ezzel az opcióval a fő programok hossza lerövidíthető úgy, hogy a mosogatási és szárítási teljesítmény változatlan marad. A program kiválasztása után nyomja meg a TURBO gombot. A jelzőfény kigyullad. A beállítás törléséhez nyomja meg ismét a gombot.



## POWER CLEAN®

A nagynyomású vízsugaraknak köszönhetően ez az opció intenzívebb és hatékonyabb mosogatást biztosít az alsó kosár meghatározott területén. Ez az opció lábasok és tálak mosogatásához ajánlott. A gomb megnyomásával aktiválhatja a POWER CLEAN funkciót (a jelzőfény kigyullad).



## TABLETTA (TAB)

Ezzel a beállítással a használt mosogatószert típusának megfelelően optimalizálható a program hatékonysága. Ha tablettá formájában kombinált (öblítőt, sót és mosogatószert egyaránt tartalmazó) mosogatószert használ, nyomja meg és tartsa lenyomva a INDÍTÁS/SZÜNET gombot 3 másodpercig (kigyullad a megfelelő szimbólum). **Ha mosogatóport vagy folyékony mosogatószert használ, ezt az opciót ki kell kapcsolni.**

## NaturalDry

*NaturalDry* egy olyan konvekciós szárítórendszer, amely automatikusan kinyitja az ajtót a szárítási fázis közben/után a folyamatos, kiemelkedően jó szárítási eredmény érdekében. Az ajtó csak olyan hőmérsékleten nyílik ki, amely nem károsítja a konyhaszerekrényeket, tehát a TURBO funkció során az ajtó nem fog kinyílni.

A gőz ellen további védelmet nyújt a mosogatógéphez mellékelt, külön erre a célra tervezett védőfólia. A védőfólia felhelyezésének lépéseit az ÜZEMBE HELYEZÉSI ÚTMUTATÓBAN találja.

A *NaturalDry* működését a felhasználó kikapcsolhatja:

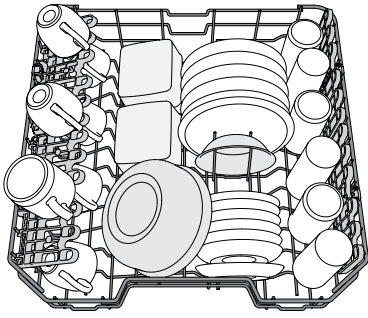
1. Lépjen be a mosogatógép szoftver menüjébe a **P** gomb nyomva tartásával (kb. 6 másodpercig).
2. Ekkor megjelenik a *NaturalDry* Control (*NaturalDry* vezérlés) menü, ahol a **P** gombbal ki- vagy bekapcsolhatja a *NaturalDry* funkciót:

**E** – engedélyez                      **d** – letilt

A beállítás jóváhagyásához és a menüből való kilépéshez tartsa nyomva a **P** gombot (3 másodpercig).

# A KOSARAK MEGTÖLTÉSE

## FELSŐ KOSÁR



Ide helyezhetők a kényesebb és könnyű edények, például poharak, csészék, tálkák, kis salátástálak.

(Példa a megtöltött felső kosárra)

## A FELSŐ KOSÁR MAGASSÁGÁNAK BEÁLLÍTÁSA

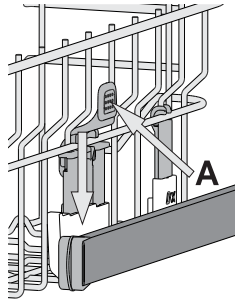
A felső kosár magassága állítható. Ha a felső állásba állítja, az alsó kosárba nagyobb edények helyezhetők; ha az alsó állásba állítja, maximálisan kihasználhatók a lehajtható rögzítőelemek: függőlegesen több hely áll rendelkezésre, és az alsó kosárba pakolt edényeknek is elegendő hely jut.

A **felső kosár magasságbeállítóval** rendelkezik (lásd az ábrát). Magasabbra állításához fogja meg a kosár két oldalát, és az emelőkarok megnyomása nélkül emelje azt feljebb. A kosár a felső helyzetbe áll.

Az alsó helyzetbe állításához nyomja meg a kosár két oldalán lévő emelőkarokat A, és tolja lefelé a kosarat.

**Kifejezetten javasoljuk, hogy ne módosítsa a kosár magasságát akkor, amikor a kosárban edények találhatók.**

**A kosár lejjebb vagy feljebb helyezésekor SOHA ne csak az egyik oldal magasságát módosítsa.**



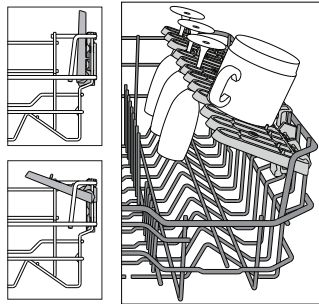
## ÁLLÍTHATÓ MAGASSÁGÚ LEHAJTHATÓ POLCOK

A kosárban lévő edények optimális elrendezése érdekében az oldalsó polcok fel- és lehajthatók.

A borospoharak biztonságosan helyezhetők a lehajtható polcokra: a poharak talpát illessze a megfelelő nyílásokba.

Készüléktypustól függően:

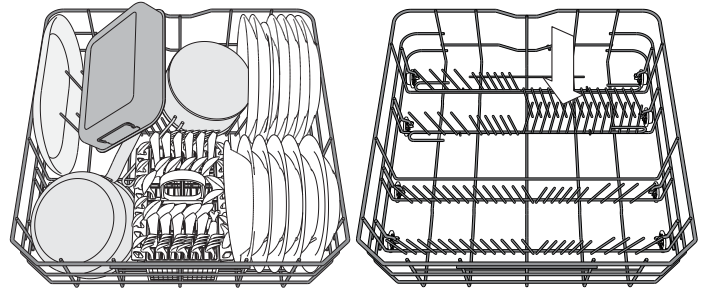
- a polcok lehajtásához csúsztassa azokat fel és forgassa el, vagy vegye ki a rögzítőkből és húzza lefelé.
- a polcok felhajtásához forgassa azokat el és csúsztassa lefelé, vagy húzza felfelé és rögzítse.



## ALSÓ KOSÁR

Ide fазekak, fedők, tányérok, salátástálak, evőeszközök stb. pakolhatók. A nagyobb tányérok és fedőket lehetőség szerint a kosár szélére helyezze, hogy biztosan ne érjenek a szórókarokhoz.

Az alsó kosár lehajtható tartóelemekkel rendelkezik: függőleges helyzetbe állítva tányérok, lábcsokot pakolhat be egyszerűen.



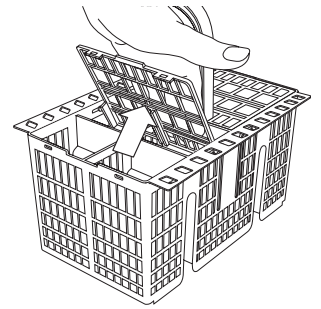
(Példa a megtöltött alsó kosárra)

## EVŐESZKÖZKOSÁR

A kosár felső ráccsal rendelkezik, melynek segítségével jobban elrendezhetők az evőeszközök.

Az evőeszközkosár kizárólag az alsó kosár elülső részére helyezhető.

**A késeket és egyéb éles eszközöket hegyükkel lefelé rakja az evőeszközkosárba, vagy helyezze azokat vízszintesen a felső kosár lehajtható tartóelemeire.**



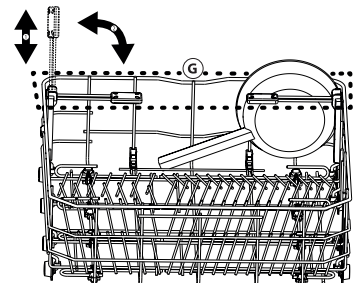
## POWER CLEAN® AZ ALSÓ KOSÁRBAN

A Power Clean® során a készülék a mosogatótér hátsó része felől érkező vízsugarak segítségével intenzívebben mossa el az erősen szennyezett edényeket. Az alsó kosárban található egy ún nagyterű zóna. Ez a speciális, kihúzható tartóelem a kosár hátsó részén található, és lehetővé teszi a serpenyők és tepsik függőleges helyzetben történő elhelyezését, amivel hely takarítható meg.

Helyezze be a gépbe a fazekakat/tálakat úgy, hogy a Power Clean® berendezés felé nézzenek, majd kapcsolja be a kezelőpanelen a **POWER CLEAN** opciót.

A Power Clean® funkció használata:

1. Készítse elő a Power Clean® területet (G): hajtsa le a hátsó tányértartókat, hogy beférjenek az edények.
2. Tegye be a fazekakat és a tálakat úgy, hogy a Power Clean® terület felé dőljenek. A fazekakat a nagynyomású vízsugarak felé kell megdönteni.



# MINDENNAPI HASZNÁLAT

## 1. ELLENŐRIZZE A VÍZBEKÖTÉST

Ellenőrizze, hogy a mosogatógép rá van-e kötve a vízvezetékhez, és hogy a csap nyitva van-e.

## 2. KAPCSOLJA BE A MOSOGATÓGÉPET

Nyissa ki a készülék ajtaját, és nyomja meg a **BE/KI** gombot.

## 3. A KOSARAK MEGTÖLTÉSE (lásd: A KOSARAK MEGTÖLTÉSE)

## 4. A MOSOGATÓSZER-ADAGOLÓ FELTÖLTÉSE

## 5. A PROGRAM KIVÁLASZTÁSA ÉS A CIKLUS BEÁLLÍTÁSA

Az edények típusa és szennyezettségi szintje alapján válassza ki a leginkább megfelelő programot (lásd: PROGRAMOK ISMERTETÉSE) a **P** gombbal.

Állítsa be a kívánt opciókat (lásd: OPCÍÓK ÉS FUNKCIÓK).

## 6. INDÍTÁS

Indítsa el a programot úgy, hogy megnyomja az **INDÍTÁS/Szünet** gombot (a LED kigyullad), majd 4 másodpercen belül becsukja a készülék ajtaját. A program indítását egy hangjelzés jelzi. Ha az ajtót nem csukja be 4 másodpercen belül, riasztás hallható. Ilyenkor nyissa ki az ajtót, nyomja meg ismét az **INDÍTÁS/Szünet** gombot, majd 4 másodpercen belül csukja be az ajtót.

## 7. A MOSOGATÁSI CIKLUS VÉGE

A mosogatósi ciklus végén sípoló hangjelzések hallhatók, és a kijelzőn villogni kezd a mosogatósi ciklus száma.

Nyissa ki az ajtót, és kapcsolja ki a készüléket a **BE/KI** gombbal. Az égési sérülések elkerülése érdekében az edények kipakolása előtt várjon néhány percet. Vegye ki az edényeket. Először az alsó kosarat ürítse ki.

**Az energiafogyasztás csökkentése érdekében a készülék automatikusan kikapcsol, ha bizonyos ideig nem használják. Ha az edények enyhén szennyezettek, vagy a mosogatógépbe helyezes előtt vízzel leöblítették azokat, használjon kevesebb mosogatószert.**

## FUTÓ PROGRAM MÓDOSÍTÁSA

Ha nem megfelelő programot választott, az közvetlenül az indulás után még módosítható: nyissa ki az ajtót, és tartsa nyomva a **BE/KI** gombot, amíg a készülék kikapcsol.

Kapcsolja vissza a mosogatógépet a **BE/KI** gombbal, majd válassza ki az új mosogatósi ciklust és az esetleges opciókat. Indítsa el a programot úgy, hogy megnyomja az **INDÍTÁS/Szünet** gombot, majd 4 másodpercen belül becsukja a készülék ajtaját.

## TOVÁBBI EDÉNYEK HOZZÁADÁSA

A készülék kikapcsolása nélkül nyissa ki az ajtót. Ekkor az **INDÍTÁS/Szünet** LED villogni kezd (**vigyázzon a kicsapó FORRÓ gőzre!**), majd tegyen be további edényeket a mosogatógépbe. Nyomja meg az **INDÍTÁS/Szünet** gombot, majd 4 másodpercen belül csukja be az ajtót. A készülék onnan folytatja a mosogatósi ciklust, ahol az félbeszakadt.

## VÉLETLEN MEGSZAKÍTÁS

Ha a mosogatósi ciklus közben kinyitják az ajtót, vagy elmegey az áram, a ciklus leáll. Nyomja meg az **INDÍTÁS/Szünet** gombot, majd 4 másodpercen belül csukja be az ajtót. A készülék onnan folytatja a mosogatósi ciklust, ahol az félbeszakadt.

# TANÁCSOK ÉS TIPPEK

## TANÁCSOK

A kosarak megtöltése előtt távolítsa el az ételmaradékokat az edényekről, és ürítse ki a poharakat. **Mosogatás előtt nem szükséges folyó vízzel leöblíteni az edényeket.**

Az edényeket úgy rendezze el, hogy biztosan álljanak, ne dőljenek el könnyen. Az edények nyílása lefelé nézzen, és a homorú/domború részek ferdén álljanak, hogy a víz mindenhova elérjen, és akadálytalanul folyhasson.

**Vigyázat!** A fedők, fogantyúk, tálak és serpenyők nem állítják meg a forgó szűrőkarokat.

A kisebb tárgyakat az evőeszközkosárba helyezze. Az erősen szennyezett edényeket az alsó kosárba kell helyezni, mivel ott erősebb a vízpermet, azaz jobb a mosogatósi eredmény. A készülék megtöltése után ellenőrizze, hogy a szűrőkarok forgását nem akadályozza-e valami.

## GÉPBE NEM MOSOGATHATÓ EDÉNYEK

- Fából készült edények és evőeszközök.
- Kényes, díszes poharak, kézműves és antik edények. Ezek a díszítések nem bírják a gépi mosogatóst.
- Szintetikus anyagból készült részek, amelyek nem bírják a magas hőmérsékletet.
- Réz- és bádagedények.
- Hamuval, viasszal, kenőzsírral vagy tintával szennyezett edények.

A poharakon lévő díszítés és az alumínium- vagy ezüstedények színe megváltozhat, kifakulhat a mosogatósi során. Egyes üvegtípusok (pl. kristályüveg) néhány mosogatósi ciklus után homályossá válhatnak.

## A POHARAK ÉS AZ EDÉNYEK KÁROSODÁSA

- A készülékbe kizárólag olyan üveg- és porcelánedények helyezhetők, amelyek a gyártó állítása szerint mosogatógépben mosogathatók.
- Az edényekhez megfelelő, kémálló mosogatószert használjon.
- Az edényeket és az evőeszközöket a mosogatósi ciklus végeztével azonnal vegye ki a mosogatógépéből.

## A POHARAK ÉS AZ EDÉNYEK KÁROSODÁSA

- Ha a háztartási mosogatógépet a gyártó utasításainak megfelelően használják, **az edények mosogatógépben történő mosogatása általában KEVESEBB ENERGIÁT és vizet igényel, mint a kézi mosogatás.**
- A mosogatógép hatékonyságának maximalizálásához javasolt **a mosogatósi programot a mosogatógép teljes betöltése után indítani.** Ha a háztartási mosogatógépet a gyártó által jelzett kapacitásig tölti fel, azzal energiát és vizet takaríthat meg. Az edények helyes betöltésével kapcsolatos információt a **KOSARAK MEGRAKODÁSA** című fejezetben talál. Részleges betöltés esetén javasolt a megfelelő mosogatósi beállítást (Fél töltet / Zónamosogatás / Multizone) használni, ha lehetséges, csak a kijelölt kosarakat használva. A mosogatógép helytelen betöltése vagy túltöltése fokozhatja az erőforrások (például víz, energia és idő) felhasználását, megnövelheti a zajszintet, és csökkentheti a mosogatósi és szárítási teljesítményt.
- Az edények manuális előöblítése megnövekedett víz- és energiafogyasztást eredményezhet, és nem javasolt.

## HIGIÉNYIA

A mosogatógépben keletkező kellemetlen szag és lerakódások elkerülése érdekében legalább havonta egyszer futtasson le egy magas hőmérsékletű programot. Használjon egy teáskanál mosogatószert, és a készülék tisztításához futtassa le a programot edények nélkül.

# ÁPOLÁS ÉS KARBANTARTÁS

## A SZŰRŐEGYSÉG TISZTÍTÁSA

Rendszeresen tisztítsa ki a szűrőegységet, így megelőzhető a szűrők eltömődése, és a víz szabadon tud távozni.

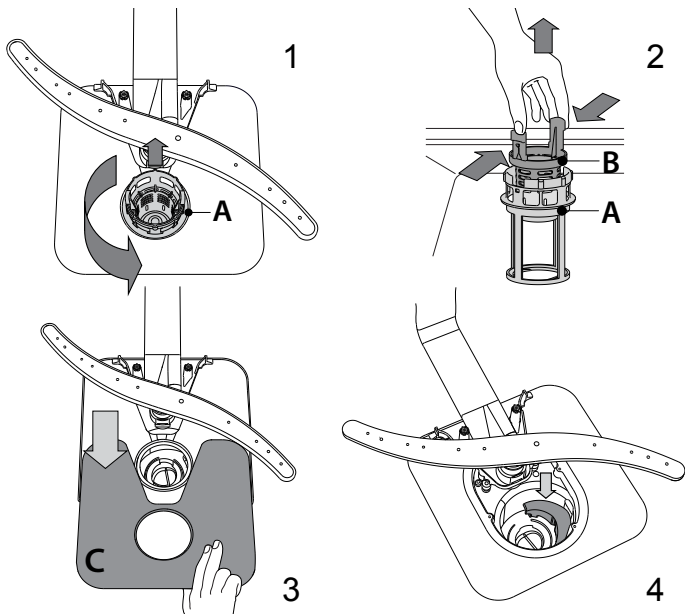
Ha a mosogatógép használata során a szűrők el vannak tömődve, illetve ha a szűrőrendszerben vagy a szórókarokban tárgyak vannak, az a berendezés nem megfelelő működését okozhatja, ami a teljesítmény csökkenését, zajos működést vagy nagyobb erőforrás-felhasználást eredményezhet.

A szűrőegység három szűrőből áll, amelyek eltávolítják az ételmaradékokat a mosogatóvízből, majd visszaforgatják a vizet.

**A mosogatógép nem használható szűrők nélkül vagy meglazult szűrővel.**

Havonta legalább egyszer vagy 30 programonként ellenőrizze a szűrőegységet, és szükség esetén tisztítsa meg alaposan folyó víz alatt, nemfémes kefével, az alábbi utasításoknak megfelelően:

1. Forgassa a henger alakú szűrőt **A** az óramutató járásával ellentétes irányba, majd húzza ki (1. ábra).
2. Vegye ki a kehely alakú szűrőt **B** úgy, hogy enyhén megnyomja az oldalsó füleket (2. ábra).
3. Csúsztassa ki a rozsdamentes acélból készült szűrőlemezt **C** (3. ábra).
4. Ha idegen tárgyat (például törött üveget, porcelánt, csontot, gyümölcsmagot stb.) talál, **óvatosan távolítsa el azt**.
5. Ellenőrizze a szűrőrészt, és távolítsa el az ételmaradékokat. **SOHA NE TÁVOLÍTSA EL** a mosogatóciklust végző pumpa védőfedelét (feketével jelölve) (4. ábra)!



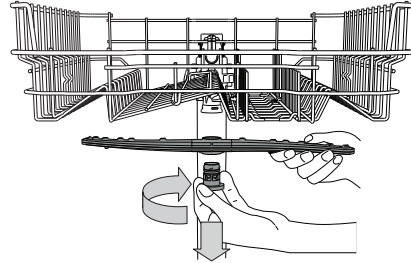
A szűrők tisztítása után helyezze vissza a szűrőegységet, és rögzítse megfelelően a helyére. Ez elengedhetetlen a mosogatógép hatékony működéséhez.

## A VÍZBEVEZETŐ TÖMLŐ TISZTÍTÁSA

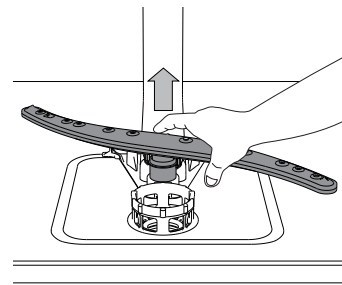
Ha a víztömlők újak, vagy azokat hosszabb ideig nem használták, a csatlakoztatás előtt folyasson át rajtuk vizet, hogy biztosan tiszták és szennyezédtől mentesek legyenek. Ha nem végzi el ezt az óvintézkedést, a vízbevezető tömlő eltömődhet, és károsíthatja a mosogatógépet.

## A SZÓRÓKAROK TISZTÍTÁSA

Időnként ételmaradék száradhat a szórókarokra, és eltömítheti a víz permetezésére szolgáló nyílásokat. Ezért javasoljuk, hogy rendszeresen ellenőrizze a szórókarokat, és tisztítsa meg azokat egy kisméretű, nemfémes kefével.



A felső szórókar leszereléséhez forgassa el a műanyag rögzítőgyűrűt az óramutató járásával megegyező irányba. A felső szórókar visszahelyezésekor ügyeljen arra, hogy a több nyílást tartalmazó oldala nézzen felfelé.



Az alsó szórókart felfelé húzva lehet kivenni a helyéről.

## VÍZLÁGYÍTÓ RENDSZER

A vízlágyító rendszer automatikusan csökkenti a víz keménységét, így megelőzve a vízkő felhalmozódását a fűtőszálon, így jobb mosogatási hatékonyságot biztosítva.

**A rendszer sóval regenerálja magát, ezért a só tárolót kiürülés esetén fel kell tölteni.**



A regenerálás gyakorisága a vízkeménység szintjének beállításától függ - a regenerálás **6** Eco ciklusként történik meg **3**-ra állított vízkeménység szinttel.

A regenerálás a végső öblítés közben kezdődik, és a szárítási fázisban, a program vége előtt fejeződik be.

- Egyetlen regenerálás során a készülék: ~3,5 l vizet használ fel;
- A program 5 perccel tovább tart;
- Kevesebb, mint 0,005 kWh energiát használ fel.

# HIBAELEHÁRÍTÁS

Ha a mosogatógép nem megfelelően működik, ellenőrizze, hogy a probléma javítható-e az alábbi lista lépéseinek végrehajtásával. Más hibák vagy problémák esetében lépjen kapcsolatba a hivatalos vevőszolgálattal, amelynek kapcsolattartási adatai a garanciafüzetben találhatóak. A pótalkatrészek akár 7, akár 10 évig is rendelkezésre állnak, az adott rendelet követelményeinek megfelelően.

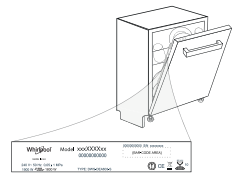
HIBA	LEHETSÉGES OK	MEGOLDÁS
 A só jelzőfényje ég	A sótartály üres. (A sótartály feltöltése után előfordulhat, hogy néhány mosogatási programon keresztül a sószint jelzőfénye tovább világít).	Töltse fel a tartályt sóval (további tudnivalók: 2. oldal). Állítsa be a vízkeménységet. Lásd a 2. oldalon található táblázatot.
 Az öblítőszer jelzőfényje ég	Az öblítőszer adagolója üres. (Az öblítőszer tartály feltöltése után előfordulhat, hogy néhány mosogatási programon keresztül az öblítőszer szintjének jelzőfénye tovább világít).	Töltse fel az adagolót öblítőszerrel (további tudnivalók: 2. oldal).
A mosogatógép nem indul vagy nem reagál a parancsokra.	Nem megfelelően csatlakoztatta a készüléket. Áramkimaradás. Nincs bezárva a mosogatógép ajtaja. A NaturalDry-fül nincs bepattintva. Az ajtó nyitása miatt a program félbeszakad > 4 másodpercre. A készülék nem reagál a parancsokra. A kijelzőn olvasható felirat: Az <b>9</b> vagy <b>12</b> és a BE/KI LED gyorsan villog.	Csatlakoztassa a dugót a hálózati aljzatba. A mosogatógép biztonsági okokból nem indul újra automatikusan az áramszolgáltatás visszatértekor. Nyissa ki a mosogatógép ajtaját, nyomja meg az INDÍTÁS/Szünet gombot, majd 4 másodpercen belül csukja be az ajtót. Erőteljesen nyomja be az ajtót, amíg kattantást nem hall. Nyomja meg az INDÍTÁS/Szünet gombot, és csukja be az ajtót 4 másodpercen belül. Kapcsolja ki a készüléket a BE/KI gombbal, majd kb. 1 perc elteltével kapcsolja vissza, és indítsa újra a programot. Ha a probléma továbbra is fennáll, húzza ki a készüléket a hálózathoz 1 percre, majd csatlakoztassa ismét.
A mosogatógép túl hangosan működik. A kijelzőn olvasható felirat: Az <b>3</b> és a BE/KI LED gyorsan villog.	Még tart a mosogatási ciklus. Meghajlott a leeresztőtömlő. Eltömődött a mosogató lefolyócsöve. Az ételmaradékok eltömítették a szűrőt.	Várja meg, amíg a mosogatási ciklus véget ér. Ellenőrizze, hogy nem hajlott-e meg a leeresztőtömlő (lásd BESZERELÉSI ÚTMUTATÓ). Tisztítsa meg a mosogató lefolyócsövét. Tisztítsa ki a szűrőt (lásd A SZÜRŐEGYSÉG TISZTÍTÁSA).
A mosogatógép túl hangosan működik.	Az edények egymáshoz ütődnek. Túl sok hab képződött.	Az edényeket megfelelően rendezze el (lásd A KOSARAK MEGTÖLTÉSE). Nem megfelelően mérte ki a mosogatószert, vagy az nem használható mosogatógépben (lásd A MOSOGATÓSZER-ADAGOLÓ FELTÖLTÉSE). Indítsa el újra az aktuális programot a BE/KI gombbal, majd kapcsolja be ismét a készüléket, válasszon egy új programot, nyomja meg az INDÍTÁS/Szünet gombot, és csukja be az ajtót 4 másodpercen belül. Ne töltsön bele mosogatószert.
Az edények nem tiszták.	Nem megfelelően rendezte el az edényeket. A szűrőkarok nem forognak szabadon, mivel az edények útban vannak. A mosogatási ciklus túlzottan kímélő. Túl sok hab képződött. Nem megfelelően zárta vissza az öblítőszer rekeszének kupakját. A szűrő szennyezett vagy eltömődött. Kifogyott a só.	Az edényeket megfelelően rendezze el (lásd A KOSARAK MEGTÖLTÉSE). Az edényeket megfelelően rendezze el (lásd A KOSARAK MEGTÖLTÉSE). Válasszon megfelelő mosogatási ciklust (lásd: PROGRAMOK TÁBLÁZATA). Nem megfelelően mérte ki a mosogatószert, vagy az nem használható mosogatógépben (lásd A MOSOGATÓSZER-ADAGOLÓ FELTÖLTÉSE). Zárja vissza az öblítőszer-adagoló kupakját. Tisztítsa ki a szűrőegységet (lásd ÁPOLÁS ÉS KARBANTARTÁS). Töltse fel a tartályt (lásd A SÓTARTÁLY FELTÖLTÉSE).
A készülék nem vesz fel vizet. A kijelzőn olvasható felirat: Az <b>H</b> , <b>6</b> és a BE/KI LED gyorsan villog.	Nem jön víz a vízvezetékbe, vagy el van zárva a vízcsap. Meghajlott a vízbevezető tömlő. Eltömődött a vízbevezető tömlőben lévő szűrő; ki kell tisztítani.	Ellenőrizze, hogy jön-e víz a vízvezetékbe, és a vízcsap nyitva van-e. Ellenőrizze, hogy nincs-e megtörve a vízvezető tömlő (lásd: ÜZEMBE HELYEZÉS), állítsa be újra a mosogatógépet, majd indítsa újra. Az ellenőrzés és a tisztítás után kapcsolja ki, majd be a mosogatógépet, és indítson el egy új programot.
A mosogatógép idő előtt befejezi a programot. A kijelzőn olvasható felirat: Az <b>15</b> és a BE/KI LED gyorsan villog.	A leeresztőtömlő túl alacsonyra van pozicionálva, vagy háztartási szennyvízelvezető rendszerbe vezet le. Levegő van a vízrendszerben.	Ellenőrizze, hogy a leeresztőtömlő vége megfelelő magasságban van-e (lásd: ÜZEMBE HELYEZÉS). Ellenőrizze a levezetést a háztartási szennyvízelvezető rendszerbe, és ha szükséges, szereljen be légbevezető szelepet. Ellenőrizze, hogy a vízrendszer nem szivárog-e, illetve más probléma miatt nem jut-e be levegő.



A szabályzatok, a szabványos dokumentáció, a tartalékalkatrészek rendelése és a termékkel kapcsolatos további információk az alábbi elérhetőségeken találhatóak:

- Látogasson el a [docs.whirlpool.eu/docs](https://docs.whirlpool.eu/docs) and [parts-selfservice.europeanappliances.com](https://parts-selfservice.europeanappliances.com) weboldalra.
- a QR-kód segítségével
- Vagy **vegye fel a kapcsolatot a vevőszolgálattal** (a telefonszámot lásd a garanciafüzetben). Amennyiben a vevőszolgálathoz fordul, kérjük, adja meg a termék adattábláján feltüntetett kódokat.

A modell adataihoz olvassa be az energiafogyasztást jelölő címkén található QR-kódot. A címkén található modellazonosító segítségével használható a regisztrációs portál (<https://eprel.ec.europa.eu>)



**400011483000B**

12/2024 ks - Xerox Fabriano





# SNELLE REFERENTIEGIDS HANDLEIDING



**DANK U WEL VOOR UW AANKOOP VAN EEN WHIRLPOOL PRODUCT.**

Voor verdere assistentie kunt u het apparaat registreren op:  
[www.whirlpool.eu/register](http://www.whirlpool.eu/register)

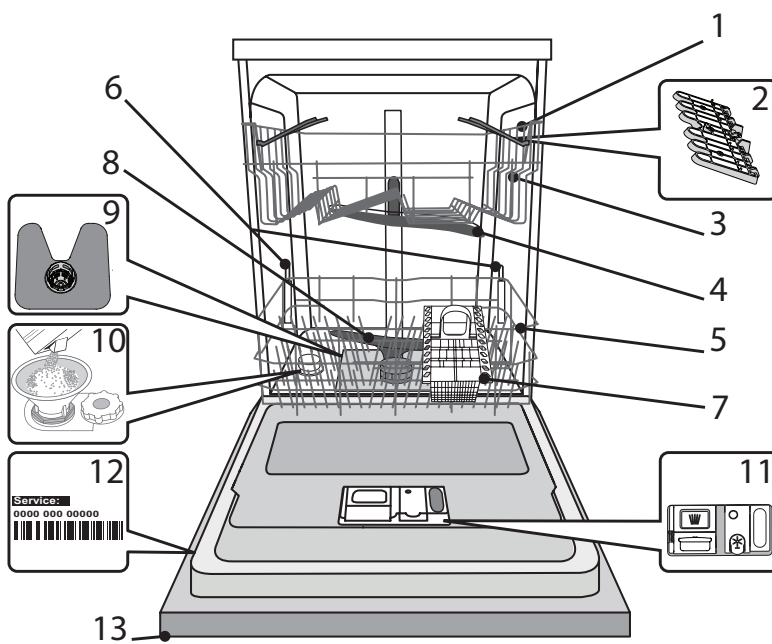


U kunt de Veiligheidsaanwijzingen en de Gebruiker-handleiding, downloaden van onze website [docs.whirlpool.eu/docs](http://docs.whirlpool.eu/docs), volg de Aanwijzingen achteraan deze handleiding.

**Voordat u het apparaat gebruikt leest u de Veiligheidsvoorschriften zorgvuldig door.**

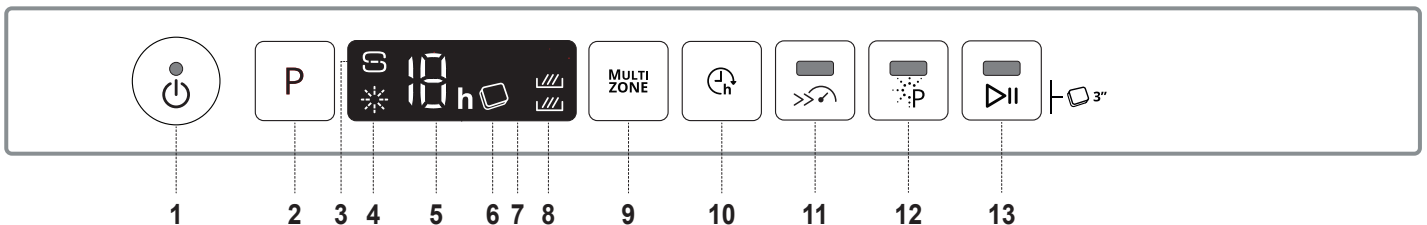
## PRODUCTBESCHRIJVING

### APPARAAT



1. Bovenste rek
2. Opvouwbare kleppen
3. Afsteller hoogte bovenste rek
4. Bovenste sproeierarm
5. Onderste rek
6. Power Clean®-ondersteuning
7. Bestekkorf
8. Onderste sproeierarm
9. Filtersysteem
10. Zoutreservoir
11. Doseerbakjes vaatwasmiddel en glansspoelmiddel
12. Typeplaatje
13. Bedieningspaneel

### BEDIENINGSPANEEL



1. Aan-Uit/Reset-toets met controlelampje
2. Programmakeuzetoets
3. Controlelampje zout bijvullen
4. Controlelampje bijvullen glansspoelmiddel
5. Nummer programma en controlelampje tijd van uitstel
6. Controlelampje tablet (tab)
7. Display
8. Controlelampje Multizone
9. Multizone toets
10. Uitstel toets
11. Turbo toets met controlelampje
12. Power Clean® toets met controlelampje
13. Start/Pauze-toets met controlelampje/ Tablet (Tab)

# EERSTE GEBRUIK

## ZOUT, GLANSSPOELMIDDEL EN VAATWASMIDDEL

### ADVIES MET BETREKKING TOT HET EERSTE GEBRUIK

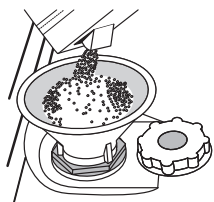
Verwijder na het installeren de stoppen uit de rekken en de elastische borgelementen uit het bovenste rek.

### HET ZOUTRESERVOIR BIJVULLEN

MHet gebruik van zout voorkomt de vorming van KALKAANSLAG op het vaatwerk en op de functionele onderdelen van de machine.

- Het is noodzakelijk dat **HET ZOUTRESERVOIR NOOIT LEEG IS**.
- Het is belangrijk dat de hardheid van het water wordt ingesteld.

Het zoutreservoir bevindt zich in het onderste deel van de afwasmachine (zie **PRODUCTBESCHRIJVING**) en moet worden gevuld wanneer het **controlelampje ZOUT BIJVULLEN** in het bedieningspaneel brandt.



1. Verwijder het onderste rek en draai de dop van het reservoir los (linksom).
2. **Alleen de eerste maal dat u dit doet: vul het zoutreservoir met water.**
3. Plaats de trechter (zie afbeelding) en vul het zoutreservoir tot aan de rand (ongeveer 1 kg); het is niet ongebruikelijk dat er een beetje water uit lekt.
4. Verwijder de trechter en veeg alle zoutresten weg van de opening.

Zorg ervoor dat de dop strak is aangedraaid, zodat geen vaatwasmiddel in de container kan komen tijdens het wasprogramma (dit kan de waterontharder onherstelbaar beschadigen).

**Wanneer u zout moet toevoegen, is u verplicht om de procedure helemaal uit te voeren alvorens de wascyclus te starten om corrosie te voorkomen.**

### DE WATERHARDHEID INSTELLEN

Als u de waterontharder perfect wilt laten werken is het essentieel dat de instelling van de waterhardheid is gebaseerd op de werkelijke waterhardheid in uw huis. Deze informatie kan bij uw lokale waterleverancier worden opgevraagd.

De fabriek stelt de defaultwaarde voor de waterhardheid in.

- Het apparaat inschakelen door op de toets **AAN/UIT** te drukken.
- Het apparaat uitschakelen door op de toets **AAN/UIT** te drukken.
- De toets **P** 5 seconden ingedrukt houden totdat u een piep hoort.
- Het apparaat inschakelen door op de toets **AAN/UIT** te drukken.
- Het huidige niveaunummer van de selectie en het controlelampje van het zout knippen allebei.
- De toets **P** indrukken om het gewenste hardheidsniveau te selecteren (zie **TABEL WATERHARDHEID**).

Tabel waterhardheid			
Niveau	°dH Duitse graden	°fH Franse graden	°Clark Engelse graden
1	Zacht	0 - 6	0 - 10
2	Gemiddeld	7 - 11	11 - 20
3	Gemiddeld	12 - 16	21 - 29
4	Hard	17 - 34	30 - 60
5	Zeer hard	35 - 50	61 - 90

- Het apparaat uitschakelen door op de toets **AAN/UIT** te drukken.

Instellen is voltooid!

Zodra deze procedure voltooid is voert u een programma zonder lading uit.

**Gebruik alleen zout dat speciaal voor afwasmachines is bestemd.**

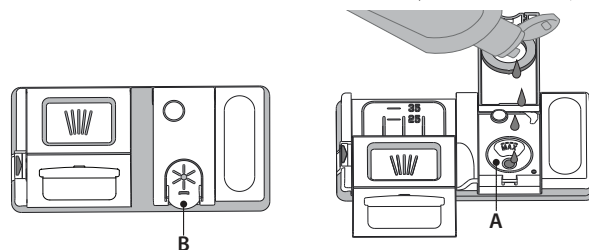
Wanneer het zout in de machine is gestrooid wordt het lampje **ZOUT BIJVULLEN** uitgeschakeld.

**Als het zoutreservoir niet gevuld wordt, kunnen de waterverzachter en het verwarmingselement beschadigd raken als gevolg van de accumulatie van ketelsteen.**

**Het gebruik van zout wordt aanbevolen met elk type vaatwasmiddel.**

### HET GLANSSPOELMIDDELRESERVOIR BIJVULLEN

Glansspoelmiddel maakt het DROGEN van de vaat gemakkelijker. Het glansspoelmiddelreservoir **A** moet worden gevuld wanneer het **controlelampje GLANSSPOELMIDDEL BIJVULLEN** op het display brandt.



1. Open het doseerbakje B door de tab op het deksel in te drukken en omhoog te trekken.
2. Het glansspoelmiddel zorgvuldig inbrengen tot aan de maximum (110 ml) insteekgleuf van de vulruimte - voorkom morsen. Wanneer dit gebeurt het gemorste glansspoelmiddel onmiddellijk met een droge doek reinigen.
3. Om het te sluiten het deksel naar beneden drukken totdat u een klik hoort.

**Het glansspoelmiddel NOOIT rechtstreeks in de kuip gieten.**

### DE DOSERING GLANSSPOELMIDDEL AANPASSEN

Als u niet volledig tevreden bent over de droogresultaten kunt u de gebruikte hoeveelheid glansspoelmiddel aanpassen.

- De afwasmachine inschakelen met de toets **AAN/UIT**.
- Uitschakelen met de toets **AAN/UIT**.
- Driemaal op de toets **P** drukken - er klinkt een pieptoon.
- Inschakelen met de toets **AAN/UIT**.
- Het huidige niveaunummer van de selectie en het controlelampje van het glansspoelmiddel knippen.
- De toets **P** indrukken om het niveau van het te leveren glansspoelmiddel te selecteren.
- Uitschakelen met de toets **AAN/UIT**

Instellen is voltooid!

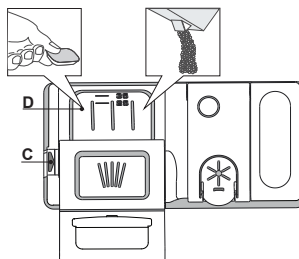
Als het niveau van het glansspoelmiddel is ingesteld op NUL (ECO) zal geen glansspoelmiddel worden afgegeven. Het controlelampje **LAAG GLANSSPOELMIDDEL** zal niet branden als het glansspoelmiddel op is.

Er kan een maximum van 5 niveaus worden ingesteld, afhankelijk van het model afwasmachine. De fabriekinstelling is specifiek voor het model. Volg de bovenstaande instructies om te controleren of dat ook voor uw machine geldt.

- Als u blauwe strepen op het vaatwerk ziet stel dan een laag getal in (1-2).
- Als er druppels water of kalkaanslag op het vaatwerk zijn stel dan een hoog getal in (3-4).

### HET VAATWASMIDDELDOSEERBAKJE VULLEN

**Gebruik de opening apparaat C om het vaatwasmiddeldoseerbakje te openen. Het vaatwasmiddel alleen in het droge doseerbakje D invoeren. Plaats de hoeveelheid vaatwasmiddel voor voorspoelen direct in de kuip.**



1. Raadpleeg bij het afmeten van het vaatwasmiddel de eerder vermelde informatie om de juiste hoeveelheid toe te voegen. In het doseerbakje **D** vindt u de aanwijzingen voor het doseren van het vaatwasmiddel.
2. Verwijder de resten vaatwasmiddel van de randen van het doseerbakje en sluit het deksel totdat het klikt.
3. Sluit het deksel van het vaatwasmiddeldoseerbakje door het omhoog te trekken tot het sluitingsmechanisme is vastgezet.

Het vaatwasmiddeldoseerbakje opent automatisch op het juiste moment, volgens het programma. Bij gebruik van alles-in-één vaatwasmiddelen is het raadzaam om de toets **TABLET** te gebruiken, omdat het programma dan zodanig wordt aangepast dat de beste was- en droogresultaten worden bereikt.

**Het gebruik van vaatwasmiddelen die niet bedoeld zijn voor vaatwasmachines kan de slechte werking van het apparaat veroorzaken of het beschadigen.**

# PROGRAMMATABEL

Programma	Drogen fase	NaturalDry	Beschikbare functies *)	Duur van wasprogramma (h:min)*)	Waterverbruik (liter/ cyclus)	Energieverbruik (kWh/ cyclus)
1. Eco ECO 50°	✓	✓		3:10	9,5	0,85
2. 6 <sup>th</sup> Sense 50-60°	✓	✓	MULTI ZONE >>>	1:25 - 3:00	7,0 - 14,0	0,90 - 1,40
3. Intensief 65°	✓	✓	MULTI ZONE >>>	2:50	14,0	1,50
4. Snel wassen en drogen 50°	✓	✓	MULTI ZONE	1:25	11,5	1,10
5. Kristallen 45°	✓	✓	MULTI ZONE	1:40	11,5	1,20
6. Snel 30' 50°	-	-	MULTI ZONE	0:30	9,0	0,50
7. Stil 50°	✓	✓		3:30	15,0	1,15
8. Voorspoelen -	-	-	MULTI ZONE	0:12	4,5	0,01

De gegevens van het ECO-programma worden gemeten onder laboratoriumomstandigheden, volgens de Europese norm EN 60436:2020.

Aanwijzing voor de Proeflaboratoria: Voor gedetailleerde informatie over de omstandigheden van de EN-vergelijkingstest kunt u contact opnemen met: [dw\\_test\\_support@europeanappliances.com](mailto:dw_test_support@europeanappliances.com)

Voorbehandeling van het vaatwerk vóór de programma's is niet nodig.

\*) Niet alle opties kunnen tegelijkertijd gebruikt worden.

\*\*) Waarden aangegeven voor andere programma's dan het Eco-programma zijn slechts indicatief. De werkelijke tijd is afhankelijk van vele factoren, zoals de temperatuur en de druk van het toevoerwater, de kamertemperatuur, hoeveelheid vaatwasmiddel, de hoeveelheid en soort lading, evenwicht van de lading, extra gekozen opties en de kalibratie van de sensor. De kalibratie van de sensor kan de duur van het programma met max. 20 min. verlengen.

## BESCHRIJVING PROGRAMMA'S

### Instructies over het selecteren van het wasprogramma.

#### 1 ECO

Het Eco-programma is geschikt voor het reinigen van normaal vervuild vaatwerk, dat voor dit gebruik het meest efficiënte programma is wat betreft de combinatie van energie- en waterverbruik en in overeenstemming is met de Europese Ecodesign-wetgeving.

#### 2 6<sup>th</sup> SENSE

Voor normaal vervuilde vaat met opgedroogde etensresten. Meet de mate van vervuiling van het serviesgoed af en past het programma dienovereenkomstig aan. Wanneer de sensor de mate van vervuiling meet, verschijnt er een animatie in de display en wordt de cyclusduur aangepast.

#### 3 INTENSIEF

Aanbevolen programma voor sterk vervuild serviesgoed, met name geschikt voor pannen en koekenpannen (mag niet gebruikt worden voor kwetsbare stukken).

#### 4 SNEL WASSEN EN DROGEN

Normaal vervuild serviesgoed. Dagelijkse cyclus, die een optimale reinigende en drogende werking in kortere tijd garandeert.

#### 5 KRISTALLEN

Programma voor kwetsbare stukken die gevoeliger zijn voor hoge temperaturen, bijvoorbeeld glazen en kopjes.

#### 6 SNEL 30'

Programma dat kan worden gebruikt voor een halve lading licht vervuilde vaat zonder opgedroogde etensresten. Heeft geen droogfase.

#### 7 STIL

Geschikt voor werking van het apparaat in de nacht. Garandeert een optimale reinigende en drogende werking met de laagste geluidsemisatie.

#### 8 VOORSPOELEN

Gebruikt om servies vochtig te houden dat later gewassen moet worden. Met dit programma wordt er geen vaatwasmiddel gebruikt.

#### Opmerkingen:

Gelieve er rekening mee te houden dat de cyclus *Snel 30'* bedoeld is voor licht vervuilde vaat.

# OPTIES EN FUNCTIE

OPTIES kunnen direct worden geselecteerd door het indrukken van de daarbij behorende toets (zie *BEDIENINGSPANEEL*).

**Als een optie niet compatibel is met het geselecteerde programma (zie *PROGRAMMATABEL*) gaat de bijbehorende LED 3 keer snel knipperen en klinken er pieptonen. De optie wordt niet ingeschakeld.**

## MULTI ZONE MULTIZONE

Als er niet veel vaatwerk is kan er een programma «halve lading» worden gebruikt, om water, elektriciteit en vaatwasmiddel te besparen.

Selecteer het programma en druk daarna op de MULTIZONE-toets: het symbool van het gekozen rek verschijnt op het display. Standaard wast het apparaat vaatwerk in alle rekken. Druk herhaaldelijk op deze toets om alleen in een bepaald rek af te wassen:



verschijnt op het display (alleen onderste rek)



verschijnt op het display (alleen bovenste rek)



verschijnt op het display (optie is uitgeschakeld en het apparaat wast het vaatwerk in alle rekken).

**Vergeet niet om alleen het bovenste of onderste rek te laden en de hoeveelheid vaatwasmiddel dienovereenkomstig te verlagen. Als het bovenste rek is verwijderd, breng dan het vaatwasmiddel rechtstreeks in de kuip aan in plaats van in het vaatwasmiddelreservoir.**



## UITSTEL

De starttijd van het programma kan worden uitgesteld voor een periode tussen **1** en **12** uur.

1. De UITSTEL-toets indrukken: het overeenkomstige symbool «h» verschijnt op het display; telkens wanneer u de toets indrukt zal de tijd (1u, 2u, enz. tot max. 12 u) vanaf het begin van het geselecteerde wasprogramma worden verhoogd.
2. Kies het wasprogramma, druk op de toets START/PAUZE en sluit binnen 4 seconden de deur: de timer begint met aftellen.
3. Wanneer de tijd verstreken is, wordt het controlelampje «h» uitgeschakeld en begint het wasprogramma.

Druk op de UITSTEL-toets om de uitsteltijd aan te passen en een kortere periode te selecteren. Om te wissen, druk de toets herhaaldelijk in totdat het controlelampje «h» van de gekozen uitstelstart wordt uitgeschakeld.

**Wanneer er een wasprogramma is gestart, kan de UITSTEL-functie niet meer worden ingesteld.**



## TURBO

Deze optie kan worden gebruikt om de duur van de hoofdprogramma's te verlagen, met behoud van dezelfde was- en droogprestaties.

Druk na het selecteren van het programma op de TURBO-toets en het controlelampje wordt ingeschakeld. Druk dezelfde toets opnieuw in om de optie uit te schakelen.



## POWER CLEAN®

Dankzij de extra krachtige stralen biedt deze functie een intensievere en krachtigere afwasprogramma op de betreffende plek in het onderste rek. Deze functie wordt aanbevolen voor het afwassen van pannen en ovenschalen. Druk op deze toets om POWER CLEAN te activeren (het controlelampje gaat branden).



## TABLET (Tab)

Met deze instelling kan de prestatie van het programma geoptimaliseerd worden, aan de hand van het afwasmiddel dat gebruikt wordt.

Druk de toets START/PAUZE gedurende 3 seconden in (het bijbehorende symbool gaat branden) als u gecombineerde vaatwasmiddelen in tabletvorm gebruikt (glansspoelmiddel, zout en wasmiddel in 1 dosis).

**Als u poeder of vloeibaar afwasmiddel gebruikt moet deze optie worden uitgeschakeld.**

## NaturalDry

*NaturalDry* is een convectiedroogstelsel dat de deur tijdens/na de droogfase automatisch opent om elke dag voor buitengewone droogprestaties te zorgen. De deur gaat open wanneer de temperatuur veilig is voor uw keukenmeubelen, de deur gaat bijgevolg niet open wanneer de optie TURBO ingeschakeld is.

Als extra bescherming tegen stoom wordt een speciaal ontworpen beschermingsfolie geleverd met de vaatwasser. Raadpleeg de INSTAL-LATIEGIDS om te zien hoe u de beschermingsfolie aanbrengt.

De *NaturalDry*-functie kan door de gebruiker als volgt worden uitgeschakeld:

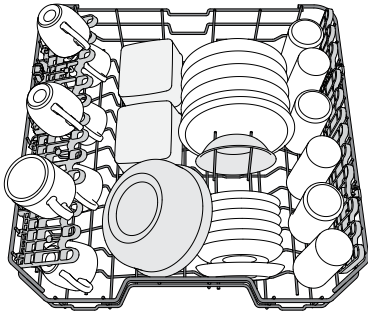
1. Ga naar het software-menu van de afwasmachine door de knop P ingedrukt te houden (6 sec).
2. U bent overgeschakeld naar het *NaturalDry*-bedieningsmenu. U kunt de status van de *NaturalDry*-functionaliteit wijzigen door op de knop P te drukken:

**E** – ingeschakeld                      **d** – uitgeschakeld

Om de wijziging te bevestigen en het bedieningsmenu te verlaten, houd de knop P ingedrukt (3 sec).

# REKKEN VULLEN

## BOVENSTE REK



(laadvoorbeeld voor het bovenste rek)

Laden van kwetsbaar en licht vaatwerk: glazen, kopjes, schoteltjes, lage saladekommen.

### DE HOOGTE VAN HET BOVENSTE REK AFSTELLEN

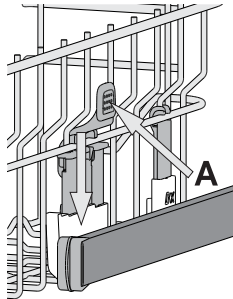
De hoogte van het bovenste rek kan worden afgesteld: hoge stand voor groot serviesgoed in de onderste mand en lage stand om optimaal gebruik te maken van de opklapbare steunen, door het creëren van meer ruimte naar boven en botsen met de items die in het onderste rek zijn geladen te voorkomen.

Het bovenste rek is uitgerust met een **hoogteversteller bovenste rek** (zie afbeelding), zonder op de hefboomen te hoeven drukken, opheffen door gewoon de zijkanten van het rek vast te houden, zodra het rek stabiel in de bovenste positie staat.

Voor herstellen naar de lagere positie op de hefboomen **A** aan de zijkanten van het rek drukken en de mand naar beneden verplaatsen.

**Het is raadzaam de hoogte van het rek niet aan te passen wanneer het is geladen.**

**NOOIT de mand slechts aan één kant verhogen of verlagen.**



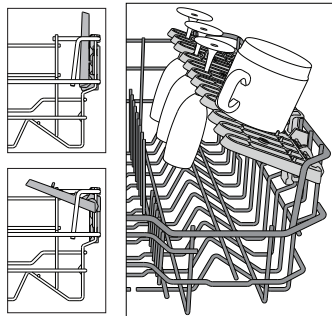
### OPVUWBARE KLEPPEN MET VERSTELBARE STAND

De opvouwbare kleppen aan de zijkant kunnen worden opgevouwen of opgevouwen voor een optimale rangschikking van het serviesgoed in het rek.

Wijn glazen kunnen veilig in de opvouwbare kleppen worden geplaatst door de steel van elk glas in de overeenkomstige sleuven in te voeren.

Afhankelijk van het model:

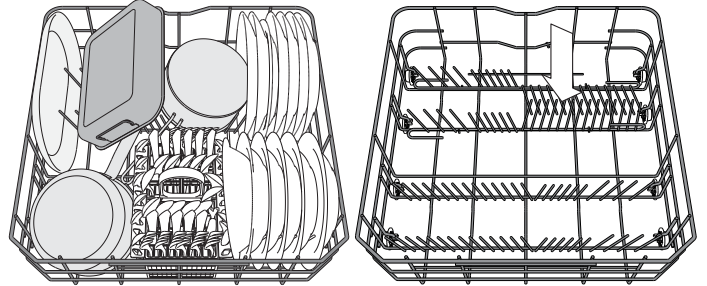
- om de kleppen open te vouwen moet u ze omhoog schuiven en roteren of ze losmaken van de klemmen en omlaag trekken.
- om de kleppen op te vouwen moet u ze roteren en omlaag schuiven of ze omhoog trekken en aan de klemmen vastmaken.



## ONDERSTE REK

Voor potten, deksels, platen, saladekommen, bestek enz. Grote platen en deksels moeten idealiter aan de zijkanten worden geplaatst, om aanraking met de sproeierarmen te voorkomen.

Het onderste rek heeft opklapbare steunen die in een verticale positie kunnen worden gebruikt bij het schikken van platen of in een horizontale positie (lager) om pannen en saladekommen te laden.

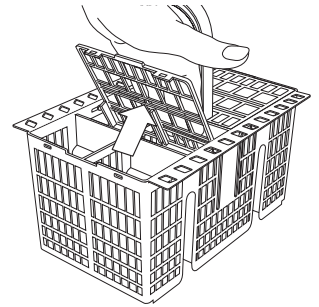


(laadvoorbeeld voor het onderste rek)

### BESTEKMAND

De mand is uitgerust met rasters aan de bovenkant, om het bestek beter te kunnen rangschikken. De bestekmand mag alleen aan de voorkant van het onderste rek worden geplaatst.

**Messen en andere gebruiksvoorwerpen met scherpe randen moeten in de bestekmand worden gezet met de punten naar beneden gericht of horizontaal geplaatst in de opklapbare compartimenten op het bovenste rek.**



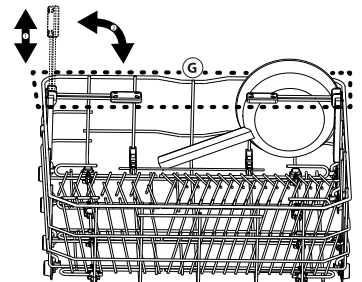
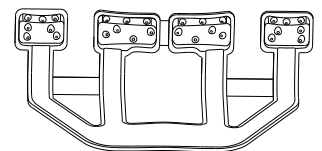
### POWER CLEAN IN ONDERSTE REK

Power Clean® maakt gebruik van speciale waterstralen aan de achterzijde van de ruimte voor een intensievere reiniging van zeer vuile items. Het onderste rek heeft een lege ruimte, een speciale uittrekbare steun aan de achterzijde van het rek, die kan worden gebruikt ter ondersteuning van koekenpannen of braadpannen in verticale positie, zodat ze minder ruimte in beslag nemen.

Activeer POWER CLEAN op het paneel tijdens het plaatsen van de pannen / ovenschalen tegenover het Power Clean® component.

Power Clean® gebruiken:

1. Pas het Power Clean gebied (G) aan door de achterste bordenhouders omlaag te klappen om potten en pannen te laden.
2. Laad potten, pannen en schalen verticaal gekanteld in het Power Clean gebied. Potten en pannen moeten naar de krachtige waterstralen toe gekanteld worden.



# DAGELIJKS GEBRUIK

## 1. WATERAANSLUITING CONTROLEREN

Controleer of de wasmachine is aangesloten op de waterleiding en of de waterkraan open is.

## 2. DE AFWASMACHINE INSCHAKELLEN

Open de deur en druk op de toets **AAN/UIT**.

## 3. DE REKKEN VULLEN

(zie **REKKEN VULLEN**)

## 4. HET VAATWASMIDDELMIDDELDOSEERBAKJE VULLEN

## 5. HET PROGRAMMA KIEZEN EN DE CYCLUS AANPASSEN

Selecteer het meest geschikte programma in overeenstemming met het soort serviesgoed en het niveau van vervuiling (zie **BESCHRIJVING PROGRAMMA**) door de **P**-toets in te drukken. Selecteer de gewenste opties (zie **OPTIES EN FUNCTIES**).

## 6. START

Start het de wascyclus door op de **START/Pauze**-toets (het led-lampje brandt) te drukken en de deur binnen 4 seconden te sluiten. U hoort een enkele piep wanneer het programma start.

Als de deur niet binnen 4 seconden is gesloten, hoort u een geluid ter waarschuwing. Open in dat geval de deur, druk op de **START/Pauze**-toets en sluit de deur weer binnen 4 seconden.

## 7. EINDE VAN HET WASPROGRAMMA

Het einde van de wascyclus wordt aangegeven door pieptonen en door knipperen van het nummer van de wascyclus op het display. De deur openen en het apparaat uitschakelen door op de toets **AAN/UIT** te drukken.

Een paar minuten wachten voordat het serviesgoed wordt verwijderd - om brandwonden te voorkomen. De rekken uitladen, te beginnen met het onderste rek.

**De machine wordt tijdens bepaalde langere perioden van inactiviteit automatisch uitgeschakeld, om het elektriciteitsverbruik te minimaliseren. Als het serviesgoed slechts licht bevuild is of als het voordat het in de afwasmachine wordt geplaatst met water is afgespoeld kan de hoeveelheid vaatwasmiddel dienovereenkomstig worden verminderd.**

## WIJZIGEN VAN EEN LOPEND PROGRAMMA

Als u een verkeerd programma heeft gekozen, kunt u het programma wijzigen mits het net is begonnen: open de deur en houd de **AAN/UIT**-toets ingedrukt. De machine wordt uitgeschakeld.

Schakel de machine weer in met de **AAN/UIT**-toets en selecteer het nieuwe wasprogramma en eventuele gewenste opties; start de wascyclus door de **START/Pauze**-toets in te drukken en de deur te sluiten binnen 4 seconden.

## EXTRA SERVIESGOED TOEVOEGEN

Open de deur (**START/Pauze**-ledlampje begint te knipperen) zonder de machine uit te schakelen (pas op voor hete stoom!) en plaats het serviesgoed in de afwasmachine. Druk op de **START/Pauze**-toets en sluit de deur binnen 4 seconden. Het programma gaat verder vanaf het punt waarop het was onderbroken.

## ONGEWENSTE ONDERBREKINGEN

Als de deur geopend wordt tijdens de wascyclus, of als er sprake is van een stroomonderbreking, stopt het programma. Om de cyclus te hernemen vanaf het punt waarop het was onderbroken, drukt u op de **START/Pauze**-toets-knop en sluit u de deur binnen 4 seconden.

# ADVIEZEN EN TIPS

## ADVIEZEN

Verwijder alvorens de manden te laden alle voedselresten uit het serviesgoed en leeg de glazen. **Het serviesgoed hoeft niet tevoren onder stromend water afgespoeld te worden.**

Het serviesgoed zo rangschikken dat het stevig op zijn plaats staat en niet omslaat; rangschik de containers met de openingen naar beneden gericht en de holle/bolle onderdelen schuin geplaatst, waardoor het water elk oppervlak kan bereiken en vrij kan stromen.

**Waarschuwing:** zorg ervoor dat deksels, grepen, platen en koekenpannen de sproeierarmen niet belemmeren bij het draaien.

Plaats geen kleine voorwerpen in de bestekmand.

Erg vervuild vaatwerk en pannen moeten in de onderste mand worden geplaatst, omdat in deze ruimte de watersproeiers sterker zijn en hogere wasprestaties hebben.

Zorg ervoor dat na het laden van het apparaat de sproeierarmen vrij kunnen draaien.

## ONGESCHIKT SERVIESGOED

- Houten servies en bestek.
- Kwetsbare gedecoreerde glazen, artistiek handwerk en antiek serviesgoed. Hun decoraties zijn hier niet tegen bestand.
- Delen van synthetisch materiaal die niet bestand zijn tegen hoge temperaturen.
- Koperen en tinnen serviesgoed.
- Serviesgoed bevuild met as, was, smeervet of inkt.

De kleuren van glasdecoraties en aluminium/zilveren stukken kunnen wijzigen en vervagen tijdens het wasproces. Sommige soorten glas (bv. kristallen voorwerpen) kunnen na een aantal wascyclussen ook dof worden.

## SCHADE AAN GLASWERK EN SERVIESGOED

- Gebruik alleen glas en porselein waarvan de fabrikant garandeert dat het veilig is voor de afwasmachine.
- Gebruik een zacht vaatwasmiddel dat geschikt is voor serviesgoed.
- Haal glazen en bestek uit de afwasmachine zodra het wasprogramma afgelopen is.

## TIPS VOOR ENERGIEBESPARING

- Wanneer de huishoudelijke vaatwasmachine gebruikt wordt volgens de aanwijzingen van de fabrikant, **verbruikt het wassen van vaatwerk in een vaatwasmachine gewoonlijk MINDER ENERGIE en water dan met de hand afwassen.**
- Om de efficiëntie van de vaatwasmachine te maximaliseren wordt aanbevolen om **de wascyclus eerst te starten wanneer de vaatwasmachine helemaal gevuld is.** De huishoudelijke vaatwasmachine vullen tot de hoeveelheid aangegeven door de fabrikant draagt bij tot het besparen van energie en water. Informatie over het correct laden van vaatwerk vindt u in het hoofdstuk **DE REKKEN VULLEN**. Als de machine gedeeltelijk is gevuld, wordt aanbevolen om de speciaal daarvoor bedoelde wasopties, indien voorzien, te gebruiken (Halve lading/ Zone Wash/ Multizone) en enkel geselecteerde rekken te vullen. De vaatwasmachine onjuist of overmatig vullen kan het gebruik van de hulpbronnen verhogen (zoals water, energie en tijd, en ook het geluidsniveau) en de reinigings- en droogprestaties verlagen.
- Vaatwerk vooraf met de hand spoelen verhoogt het water- en energieverbruik en wordt niet aanbevolen.

## HYGIËNE

Om te voorkomen dat zich geur en afzetting ophoopt in de afwasmachine moet u ten minste één per maand een programma met hoge temperatuur laten draaien. Gebruik een theelepel vaatwasmiddel en laat het apparaat zonder lading draaien.

# REINIGING EN ONDERHOUD

## HET FILTERSISTEEM REINIGEN

einig het filtersysteem regelmatig, zodat de filters niet verstopten en het afvalwater correct weg stroomt.

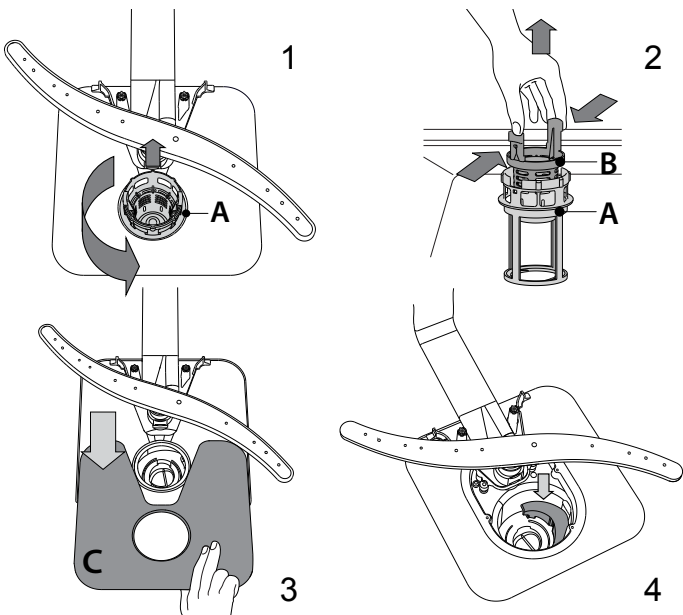
Het gebruik van vaatwasmachines met verstopte filters of vreemde voorwerpen in het filtersysteem of de sproeiarms kan de slechte werking ervan en bijgevolg lagere prestaties, lawaai of een hoger verbruik van hulpbronnen veroorzaken.

Het filtersysteem bestaat uit drie filters die voedselresten uit het afwaswater verwijderen en vervolgens het water opnieuw laten circuleren.

**De afwasmachine mag niet worden gebruikt zonder filters of als het filter is losgeraakt.**

Controleer tenminste eens per maand of na elke 30 cyclussen het filtersysteem en reinig het eventueel grondig onder stromend water, met een niet-metalen borstel en volgens de onderstaande instructies:

1. Draai het cilindrische filter **A** linksom en trek het uit (Afb. 1).
2. Verwijder het houderfilter **B** door licht op de zijkleppen te drukken (Afb. 2).
3. Schuif de roestvrij stalen plaat filter **C** er uit (Afb. 3).
4. Als u vreemde voorwerpen vindt (gebroken glas, porselein, beenderen, zaden van vruchten, enz.), **verwijderd u ze zorgvuldig**.
5. Inspecteer de sifon en verwijder eventuele voedselresten. **VERWIJDER NOOIT** de pompbescherming van het wasprogramma (zwart detail) (Afb. 4).



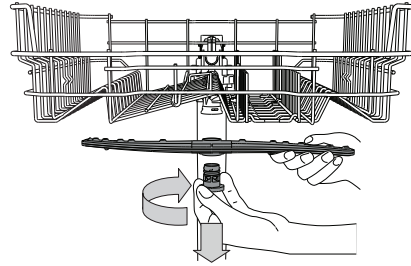
Na het schoonmaken van het filter het filtersysteem opnieuw plaatsen en goed op zijn plaats zetten; dit is essentieel voor het behoud van de efficiënte werking van de afwasmachine.

## DE TOEVOERSLANG REINIGEN

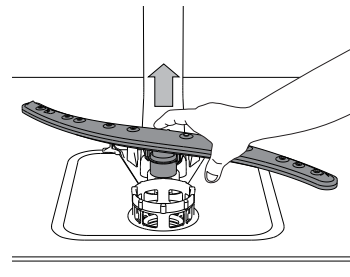
Als de waterslangen nieuw zijn of een langere periode niet zijn gebruikt laat dan, voordat de benodigde aansluitingen worden uitgevoerd, het water lopen, om ervoor te zorgen het helder is en vrij van onzuiverheden. Als deze voorzorgsmaatregel niet wordt genomen kan de waterinlaat geblokkeerd worden en kan de afwasmachine beschadigd raken.

## DE SPROEIERARMEN REINIGEN

Af en toe kunnen er voedselresten op de sproeierarmen vastzitten en worden de openingen voor het water sproeien geblokkeerd. Het is daarom raadzaam dat u de armen van tijd tot tijd controleert en ze met een kleine niet-metalen borstel schoonmaakt..



Voor het verwijderen van de bovenste sproeierarm de kunststof borging rechtsom draaien. De bovenste sproeierarm moet worden vervangen, zodat de zijde met het grotere aantal openingen naar boven is gericht.



De onderste sproeierarm kan worden verwijderd door het omhoog te trekken.

## WATERVERZACHTEND SYSTEEM

Waterverzachters reduceren automatisch de waterhardheid en voorkomen bijgevolg ketelsteenvorming op de verwarmers en dragen bij tot een efficiëntere reiniging.

**Dit systeem wordt automatisch met zout geregenereerd, u dient dus het zoutreservoir te vullen wanneer het leeg is.**

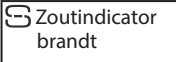

De frequentie van de regeneratie hangt af van de instelling van het waterhardheidsniveau - de regeneratie wordt uitgevoerd om de **6** Eco-cyclussen met het waterhardheidsniveau ingesteld op **3**.

Het regeneratieproces start tijdens de laatste spoeling en eindigt tijdens de droogfase, voordat de cyclus beëindigt.

- Eén enkele regeneratie verbruikt: ~3,5 liter water;
- Doet de cyclus 5 minuten langer duren;
- Verbruikt minder dan 0,005 kWh energie.

# PROBLEMEN OPLOSSEN

Als uw vaatwasmachine niet goed werkt, doorloopt u de onderstaande lijst om te controleren u of u het probleem kunt verhelpen. Voor andere fouten of problemen neemt u contact op met de bevoegde Consumentenservice, de contactgegevens ervan vindt u in de garantieboekje. Reserveonderdelen zijn beschikbaar voor een periode van maximaal 7 of maximaal 10 jaar, afhankelijk van de regels die van toepassing zijn.

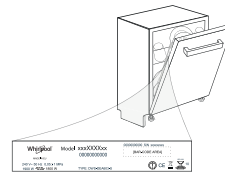
PROBLEMEN	MOGELIJKE OORZAKEN	OPLOSSINGEN
 Zoutindicator brandt	Zoutreservoir is leeg. (Na het bijvullen kan het controlelampje van het zoutniveau blijven branden gedurende een aantal afwascycli).	Vul reservoir bij met zout (voor meer informatie - raadpleeg pagina 2). Pas de waterhardheid aan - zie tabel, pagina 2.
 Glansspoelmiddelindicator brandt	Glansspoelmiddelreservoir is leeg. (Na het bijvullen kan het controlelampje van het glansspoelmiddel blijven branden gedurende een aantal afwascycli).	Vul reservoir bij met glansspoelmiddel (voor meer informatie - raadpleeg pagina 2).
De afwasmachine start niet of reageert niet op opdrachten.	Het apparaat is niet goed aangesloten.	Steek de stekker in het stopcontact.
	Stroomuitval.	Om veiligheidsredenen wordt de vaatwasmachine niet automatisch opnieuw gestart wanneer er opnieuw stroom is. Open de deur van de vaatwasmachine, druk op de START/Pauze-toets en sluit de deur binnen 4 sec.
	De deur van de afwasmachine is niet goed gesloten. De NaturalDry-pin is niet ingetrokken.	De deur krachtig aanduwen totdat u de „klik” hoort.
	De cyclus wordt onderbroken als de deur > 4 seconden wordt geopend.	Druk op START/Pauze en sluit de deur binnen 4 seconden.
Het reageert niet op opdrachten. Weergave op het display: <b>9</b> of <b>12</b> en de AAN/UIT-led knippert snel	Het toestel uitschakelen door de knop AAN/UIT in te drukken, na ongeveer een minuut weer inschakelen en het programma opnieuw starten. Als het probleem aanblijft, trekt u de stekker van het apparaat 1 minuut lang uit, breng dan de stekker terug in..	
De afwasmachine pompt niet af. Weergave op het display: <b>3</b> en de AAN/UIT-led knippert snel.	Het wasprogramma is nog niet klaar.	Wacht totdat het wasprogramma klaar is.
	Er zit een knik in de afvoerslang.	Controleer of er geen knik zit in de afvoerslang (zie <i>INSTALLATIEGIDS</i> ).
	De pijp van de gootsteenafvoer is geblokkeerd.	Reinig de pijp van de gootsteenafvoer.
De afwasmachine maakt veel lawaai.	Het filter is verstopt met voedselresten	Reinig het filter (zie <i>HET FILTERSISTEEM REINIGEN</i> ).
	Het vaatwerk rammelt tegen elkaar.	Rangschik het serviesgoed goed (zie <i>REKKEN VULLEN</i> ).
Het vaatwerk is niet schoon.	Er is een bovenmatige hoeveelheid schuim geproduceerd.	Het vaatwasmiddel is niet goed afgemeten of het is niet geschikt voor gebruik in afwasmachines (zie <i>REKKEN VULLEN</i> ). Start de actuele wascyclus opnieuw: schakel de afwasmachine UIT, vervolgens terug in, selecteer een nieuw programma, druk op START/Pauze en sluit de deur binnen 4 seconden. Voeg geen vaatwasmiddel toe.
	Het serviesgoed is niet goed gerangschikt.	Rangschik het serviesgoed goed (zie <i>REKKEN VULLEN</i> ).
	De sproeierarmen kunnen niet vrij draaien, ze worden door het vaatwerk belemmerd.	Rangschik het serviesgoed goed (zie <i>REKKEN VULLEN</i> ).
	Het wasprogramma is te zacht.	Selecteer een geschikt wasprogramma (zie <i>PROGRAMMATABEL</i> ).
	Er is een bovenmatige hoeveelheid schuim geproduceerd.	Het vaatwasmiddel is niet goed afgemeten of het is niet geschikt voor gebruik in afwasmachines.
	De dop op het glansspoelmiddelcompartiment is niet correct afgesloten.	Zorg ervoor dat de dop van het glansspoelmiddelbakje is gesloten.
De afwasmachine vult zich niet met water. Weergave op het display: <b>H</b> , <b>6</b> en de AAN/UIT-led knippert snel.	Het filter is bevuild of verstopt.	Reinig het filtersysteem (zie <i>VERZORGING EN ONDERHOUD</i> ).
	Er is geen zout.	Vul het zoutreservoir (zie <i>HET ZOUTRESERVOIR BIJVULLEN</i> ).
	Geen water in de watertoevoer of de kraan is gesloten.	Zorg ervoor dat er water in de watertoevoer komt of dat de kraan loopt.
De vaatwasmachine beëindigt de cyclus voortijdig. Weergave op het display: <b>15</b> en de AAN/UIT-led knippert snel.	Er zit een knik in de toevoerslang.	Controleer of er geen knik in de toevoerslang zit (zie <i>INSTALLATIE</i> ), de afwasmachine herprogrammeren en rebooten.
	De zeef in de watertoevoerslang is verstopt; het moet gereinigd worden.	Na het controleren en reinigen, de afwasmachine uitschakelen en inschakelen en een nieuw programma starten.
De afvoerslang bevindt zich te laag of heveling in het huishoudelijke afvalwatersysteem.	Controleer of het uiteinde van de afvoerslang zich op de juiste hoogte bevindt (zie <i>INSTALLATIE</i> ). Controleer de heveling in het huishoudelijke afvalwatersysteem, installeer zo nodig een luchttoevoer klep.	
	Lucht in watertoevoer.	Controleer de watertoevoer op lekken of andere problemen die lucht inlaten.

De bedrijfsregels, standaarddocumentatie, bestellen van onderdelen en aanvullende productinformatie kunt u vinden:



- Op onze website [docs.whirlpool.eu/docs](https://docs.whirlpool.eu/docs) en [parts-selfservice.europeanappliances.com](https://parts-selfservice.europeanappliances.com)
- Gebruik makend van de QR-code
- Anders, **contacteer onze Klantenservice** (Het telefoonnummer staat in het garantieboekje). Wanneer u contact neemt met de Klantenservice, gelieve de codes te vermelden die op het identificatieplaatje van het apparaat staan.

De modelinformatie kan gevonden worden aan de hand van de QR-code die op het energielabel aangegeven is. Het label bevat ook de model-ID die kan worden gebruikt om het portaal van het register te raadplegen op <https://eprel.ec.europa.eu>



**400011483000B**

12/2024 ks - Xerox Fabriano





# PRÍRUČKA PROBLÉMOV



**ĎAKUJEME, ŽE STE SI KÚPILI VÝROBK WHIRLPOOL.**  
Ak chcete získať komplexnejšiu pomoc a podporu,  
zaregistrujte, prosím, svoj spotrebič na:  
[www.whirlpool.eu/register](http://www.whirlpool.eu/register)

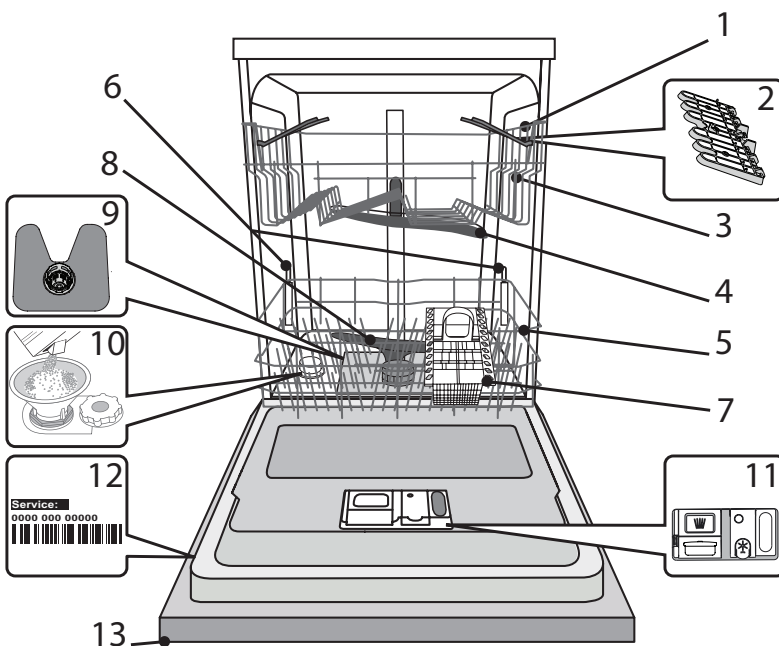


Bezpečnostné pokyny a návod na používanie,  
si môžete stiahnuť z našej webovej lokality  
[docs.whirlpool.eu/docs](http://docs.whirlpool.eu/docs). Postupujte podľa návodu na  
obsahu uvedeného na zadnej strane tejto brožúry.

**Pred použitím spotrebiča si pozorne prečítajte Bezpečnostné pokyny.**

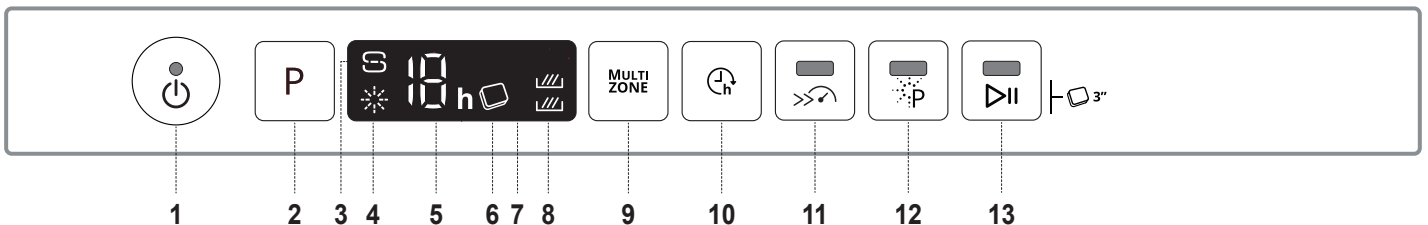
## OPIS VÝROBKU

### SPOTREBIČ



1. Vrchný kôš
2. Sklápacie klapky
3. Nastavovanie výšky vrchného koša
4. Horné umývacie rameno
5. Spodný kôš
6. Podpora Power Clean®
7. Košík na príbor
8. Spodné umývacie rameno
9. Zostava filtra
10. Zásobník soli
11. Dávkovač umývacieho prostriedku a leštidla
12. Výrobný štítok
13. Ovládací panel

### OVLÁDACÍ PANEL



1. Kontrolka vypínača Zap.–Vyp./ Resetovanie
2. Tlačidlo na voľbu programu
3. Kontrolka Doplniť soľ
4. Kontrolka Doplniť leštadlo
5. Číslo programu a indikátor času oneskorenia
6. Kontrolka Tableta (Tab)
7. Displej
8. Kontrolka Multizone
9. Tlačidlo Multizone
10. Tlačidlo posunutia štartu
11. Tlačidlo Turbo s kontrolkou
12. Tlačidlo Power Clean® s kontrolkou
13. Tlačidlo Štart/Pauza s kontrolou/ Tableta (Tab)

# PRVÉ POUŽITIE SOL, LEŠTIDLO A UMÝVACÍ PROSTRIEDOK

## RADY PRI PRVOM POUŽITÍ

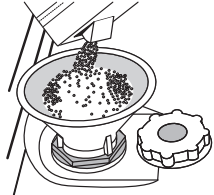
Po inštalovaní odstráňte zarážky na košoch a elastické oporné prvky z horného koša.

## PLNENIE ZÁSObNÍKA SOLI

Používanie soli zabraňuje tvorbe vodného kameňa na riadoch a funkčných komponentoch umývačky.

- Je nevyhnutné, aby **ZÁSObNÍK SOLI NEBOL NIKDY PRÁZDNY**.
- Je dôležité nastaviť tvrdosť vody.

Zásobník soli sa nachádza v spodnej časti umývačky (pozri OPIS VÝROBKU), a musí byť naplnený, keď na ovládacom paneli svieti **indikátor DOPLNIŤ SOL**.



1. Vyberte spodný kôš a odskrutkujte uzáver zásobníka (proti smeru hodinových ručičiek).
2. **Vykonáva sa len prvýkrát: zásobník soli naplňte vodou.**
3. Nasadte násypku (pozri obrázok) a naplňte zásobník až po okraj (približne 1 kg); je bežné, že trochu vody vytečie.
4. Vyberte násypku a zvyšky soli na otvore utrite.

Dbajte, aby bol uzáver pevne zatiahnutý, aby sa počas umývacieho programu nedostal do zásobníka umývací prostriedok (mohlo by to nenapraviteľne poškodiť zmäkčovač vody).

**Aby sa zabránilo korózii, vždy keď potrebujete pridať soľ, musíte dokončiť postup pred začiatkom umývacieho cyklu.**

## NASTAVENIE TVRDOTI VODY

Aby mohol zmäkčovač dokonale pracovať, je dôležité, aby bola tvrdosť vody nastavená podľa skutočnej tvrdosti vody vo vašej domácnosti. Túto informáciu môžete získať od miestneho dodávateľa vody.

Vo výrobe je nastavená štandardná hodnota tvrdosti vody.

- Zapnite spotrebič stlačením tlačidla **ZAP./VYP.**
- Vypnite spotrebič stlačením tlačidla **ZAP./VYP.**
- Na 5 sekúnd podržte tlačidlo **P**, kým sa nezvze pípnutie.
- Zapnite spotrebič stlačením tlačidla **ZAP./VYP.**
- Bliká číslo aktuálnej zvolenej úrovne aj kontrolka soli.
- Stlačením tlačidla **P** zvolte požadovanú tvrdosť vody (pozri **TABUĽKA TVRDOTI VODY**).

Tabuľka tvrdosti vody				
Úroveň		°dH Nemecké stupne	°fH Francúzske stupne	°Clark Anglické stupne
1	Mäkká	0 - 6	0 - 10	0 - 7
2	Stredná	7 - 11	11 - 20	8 - 14
3	Priemerná	12 - 16	21 - 29	15 - 20
4	Tvrdá	17 - 34	30 - 60	21 - 42
5	Veľmi tvrdá	35 - 50	61 - 90	43 - 62

- Vypnite spotrebič stlačením tlačidla **ZAP./VYP.**

Nastavenie je hotové!

Po skončení tohto postupu spustite program s prázdnu umývačkou.

**Používajte iba soľ určenú špeciálne do umývačiek.**

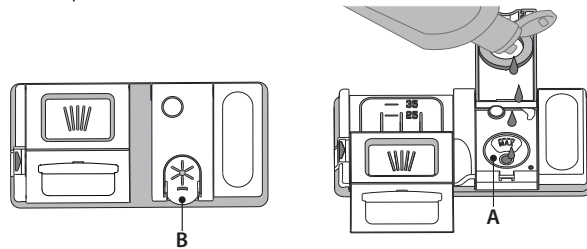
Keď do umývačky nasypete soľ, kontrolka **DOPLNIŤ SOL** zhasne.

**Ak zásobník soli nenaplníte, zmäkčovač vody a ohrievacie teleso sa môžu poškodiť v dôsledku hromadenia vodného kameňa.**

**Použitie soli sa odporúča s akýmkoľvek typom umývacieho prostriedku do umývačky riadu.**

## PLNENIE DÁVKOVAČA LEŠTIDLA

Leštadlo uľahčuje **SUŠENIE** riadu. Dávkovač leštiaceho prostriedku **A** treba naplniť, keď na ovládacom paneli svieti **kontrolka DOPLNIŤ LEŠTIDLO**.



1. Otvorte dávkovač **B** stlačením a zdvihnutím držiaka na veko.
2. Opatrne nalejte leštadlo až po značku maximum (110 ml) v plniacom priestore – dbajte, aby ste ho nerozliali. Ak sa to stane, leštadlo ihneď utrite suchou handričkou.
3. Zatlačte veko, až počujete cvaknutie.

**NIKDY nelejte leštadlo priamo do vaničky umývačky.**

## NASTAVENIE DÁVKOVANIA LEŠTIDLA

Ak nie ste celkom spokojní s výsledkom sušenia, môžete nastaviť množstvo použitého leštidla.

- Zapnite umývačku pomocou tlačidla **ZAP./VYP.**
- Vypnite ju pomocou tlačidla **ZAP./VYP.**
- Tri razy stlačte tlačidlo **P** – ozve sa pípnutie.
- Zapnite ju pomocou tlačidla **ZAP./VYP.**
- Bliká číslo zvolenej úrovne a kontrolka leštidla.
- Stlačením tlačidla **P** zvolíte úroveň množstva leštidla, ktoré sa má pridávať.
- Vypnite ju pomocou tlačidla **ZAP./VYP.**

Nastavenie je hotové!

Ak je úroveň leštidla nastavená na **NULA (EKO)**, nepridáva sa nijaké množstvo leštidla. Kontrolka **MÁLO LEŠTIDLA** sa nerozsvieti, ani keď sa leštadlo minie. V závislosti od modelu umývačky možno nastaviť maximálne 5 úrovní. Nastavenie z výroby je špecifické pre tento model, dodržujte vyššie uvedené postupy a skontrolujte ho na vašej umývačke.

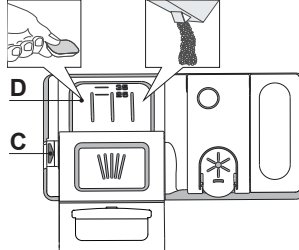
- Ak vidíte na riade modrasté pásiky, nastavte nízku hodnotu (1 – 2).
- Ak sú na riade kvapky vody alebo stopy po vodnom kameni, nastavte vysokú hodnotu (3 – 4).

## PLNENIE DÁVKOVAČA UMÝVACIEHO PROSTRIEDKU

**Dávkovač umývacieho prostriedku otvorte pomocou otváracieho zariadenia C.**

**Umývací prostriedok dávajte iba do suchého dávkovača D.**

**Umývací prostriedok na predumývanie dajte priamo do vaničky.**











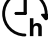



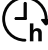


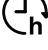

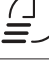
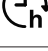


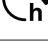




1. Pri odmeriavaní umývacieho prostriedku sa riadte uvedenými informáciami, aby ste pridali správne množstvo. Vnútri dávkovača **D** sa nachádzajú značky, ktoré pomôžu pri dávkovaní umývacieho prostriedku.
2. Odstráňte zvyšky umývacieho prostriedku z okrajov dávkovača a až potom veko zatvorte, až sa ozve cvaknutie.
3. Zatvorte veko dávkovača umývacieho prostriedku jeho nadvihnutím, až uzatváracie zariadenie zapadne na miesto.

Dávkovač umývacieho prostriedku sa automaticky otvorí v správnom čase podľa programu.

Ak používate umývací prostriedok typu „všetko v jednom“, odporúčame použiť tlačidlo **TABLETA**, pretože upraví program tak, aby sa vždy dosiahli najlepšie výsledky umývania a sušenia.

**Ak používate čistiaci prostriedok, ktorý nie je určený na umývačky, môžete tým spôsobiť poruchu alebo poškodenie spotrebiča.**

# TABUĽKA PROGRAMOV

Program	Fáza sušenia	NaturalDry	Dostupné možnosti *)	Trvanie umývacieho programu (h:min)**	Spotreba vody (litre/cyklus)	Spotreba energie (kWh/cyklus)
1. Eko	ECO 50°	✓	✓   	3:10	9,5	0,85
2. 6 <sup>th</sup> Sense	 50-60°	✓	✓  MULTI ZONE >>>  	1:25 - 3:00	7,0 - 14,0	0,90 - 1,40
3. Intenzívne	 65°	✓	✓  MULTI ZONE >>>  	2:50	14,0	1,50
4. Rýchle umývanie a sušenie	 50°	✓	✓  MULTI ZONE 	1:25	11,5	1,10
5. Krištál'	 45°	✓	✓  MULTI ZONE 	1:40	11,5	1,20
6. Rýchle 30'	 50°	-	-  MULTI ZONE 	0:30	9,0	0,50
7. Tichý	 50°	✓	✓  	3:30	15,0	1,15
8. Predumývanie	 -	-	-  MULTI ZONE 	0:12	4,5	0,01

Údaje z programu EKO sú namerané v laboratórnych podmienkach podľa európskej normy EN 60436:2020. Poznámka pre Skúšobné laboratóriá: O informácie o podmienkach vykonania komparatívnej skúšky EN môžete požiadať na adrese: [dw\\_test\\_support@europeanappliances.com](mailto:dw_test_support@europeanappliances.com)  
Príprava riadu pred umývaním nie je potrebná pri nijakom programe.

\*) Nie všetky možnosti možno použiť súčasne s inými.

\*\*\*) Hodnoty uvedené pri iných programoch ako Eko sú iba orientačné. Skutočný čas sa môže líšiť v závislosti od mnohých faktorov, ako sú teplota a tlak privádzanej vody, teplota vmiestnosti, množstvo umývacieho prostriedku, množstvo a typ vloženého riadu, jeho rozloženie, ďalšie zvolené možnosti akalibrácia senzoru. Kalibrácia senzoru môže predĺžiť trvanie programu až o 20 minút.

## OPIS PROGRAMOV

### Pokyny pre výber umývacieho cyklu.

#### 1 EKO

Program Eko je vhodný na umývanie bežne zašpineného kuchynského riadu, preto ide o najefektívnejší program na tento účel z hľadiska spotreby energie a vody, ktorý sa používa na stanovenie súladu s legislatívou Ecodesign v rámci EÚ.

#### 2 6<sup>th</sup> SENSE®

Na normálne znečistený riad so zaschnutými zvyškami jedla. Sníma úroveň znečistenia riadu a podľa toho nastavuje program. Počas snímania úrovne znečistenia senzorom sa na displeji zobrazí animácia a aktualizuje sa dĺžka cyklu.

#### 3 INTENZÍVNE

Tento program sa odporúča pri silne znečistenom riade, vhodný je najmä na umývanie panvíc a kastrolov (nepoužívajte ho na krehký riad).

#### 4 RÝCHLE UMÝVANIE A SUŠENIE

Bežne zašpinený riad. Každodenný cyklus, ktorý zabezpečuje optimálny výsledok umývania a sušenia v kratšom čase.

#### 5 KRIŠTÁL'

Program na krehké kusy riadu, ktoré sú citlivejšie na vysoké teploty, napríklad poháre a šálky.

#### 6 RÝCHLE 30'

Program, ktorý sa používa pri polovičnom naplnení mierne zašpineným riadom bez zaschnutých zvyškov jedla. Nemá fázu sušenia.

#### 7 TICHÝ

Vhodný na nočnú prevádzku spotrebiča. Zabezpečuje optimálne umývanie a sušenie s najnižšou hlučnosťou.

#### 8 PREDUMÝVANIE

Na odmočenie riadu, ktorý sa bude umývať neskôr. Pri tomto programe sa nepoužíva umývací prostriedok.

#### Poznámky:

Upozorňujeme, že cyklus Rýchle 30' je určený na mierne zašpinený riad.

# MOŽNOSTI A FUNKCIE

MOŽNOSTI si môžete zvoliť priamo stlačením príslušného tlačidla (pozri OVLÁDACÍ PANEL).

**Ak možnosť nie je kompatibilná so zvoleným programom pozri TABUĽKU PROGRAMOV, 3 razy rýchlo zablíkajú príslušná LED kontrolka a ozve sa pípanie. Možnosť sa neaktivuje.**

## MULTI ZONE MULTIZONE

Ak je potrebné umyť menej riadu, možno použiť polovičnú náplň, aby sa ušetrila voda, elektrina a umývací prostriedok. Zvoľte program a potom stlačte tlačidlo MULTIZONE: na displeji sa zobrazí symbol zvoleného koša.

V štandardnom nastavení umývačka umýva riad vo všetkých košoch.

Ak chcete vybrať iba konkrétny koš, opakovane stlačte toto tlačidlo:



na displeji (iba spodný koš)



na displeji (iba vrchný koš)



na displeji (možnosť je vypnutá a umývačka bude umývať riad vo všetkých košoch).

**Nezabudnite, že treba naplniť iba vrchný alebo iba spodný koš a príslušne znížiť dávku umývacieho prostriedku.**

**Ak vyberiete horný koš, naneste čistiaci prostriedok priamo do vaničky, nie do zásobníka.**



## POSUNUTIE ŠTARTU

Začiatok programu možno posunúť o 1 až 12 hodín.

1. Stlačte tlačidlo POSUNUTIE ŠTARTU. Na displeji sa zobrazí príslušný symbol „h“; po každom stlačení tlačidla sa čas (1 h, 2 h atď. až po max. 12 h) začiatku zvoleného cyklu umývania posunie.
2. Zvoľte umývací program, stlačte tlačidlo ŠTART/Pauza a do 4 sekúnd zatvorte dvierka. Časomer začne odpočítavanie.
3. Po uplynutí zvoleného času kontrolka „h“ zhasne a umývací program sa spustí.

Ak chcete upraviť čas posunutia štartu a vybrať kratší čas, stlačte tlačidlo POSUNUTIE ŠTARTU. Ak ho chcete zrušiť, opakovane stláčajte tlačidlo, kým kontrolka posunutého štartu „h“ nezhasne.

**Po spustení programu už funkciu posunutia štartu nemožno nastaviť.**



## TURBO

Túto možnosť možno použiť na skrátenie trvania hlavného programu pri zachovaní rovnakého výsledku umývania a sušenia.

Po zvolení programu stlačte tlačidlo TURBO a rozsvieti sa kontrolka. Vybranú možnosť zrušíte opätovným stlačením toho istého tlačidla.



## POWER CLEAN®

Vďaka prídavným výkonným dýzám táto funkcia umožňuje intenzívnejšie a účinnejšie umývanie v spodnom koši v špecifickej oblasti. Táto možnosť sa používa na umývanie hrncov a kastrolov. Stlačením tohto tlačidla aktivujete funkciu POWER CLEAN (rozsvieti sa kontrolka).



## TABLETA (Tab)

Toto nastavenie umožňuje optimalizovať výkonnosť programu podľa použitého druhu umývacieho prostriedku.

Tlačidlo ŠTART/PAUZA stlačte na 3 sekundy (rozsvieti sa príslušný symbol), ak používate kombinovaný umývací prostriedok vo forme tablety (leštidlo, soľ a umývací prostriedok v 1 dávke).

**Ak používate prášok alebo tekutý umývací prostriedok, táto možnosť má byť vypnutá.**

## NaturalDry

*NaturalDry* je konvekčný systém sušenia, ktorý automaticky otvorí dvierka počas/po fáze sušenia, aby každý deň zaručil výnimočný výsledok sušenia. Dvierka sa otvárajú pri teplote, ktorá neohrozí váš kuchynský nábytok, preto sa neotvorí, ak je zvolená možnosť TURBO.

Ako doplnková ochrana pred parou bola k umývačke priložená špeciálne navrhnutá ochranná fólia. Spôsob nainštalovania ochrannej fólie nájdete v NÁVODE NA INŠTALÁCIU.

Funkciu *NaturalDry* môže používateľ vypnúť nasledovným spôsobom:

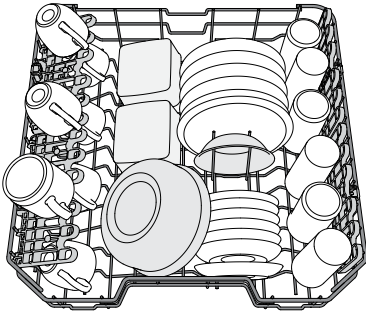
1. Otvorte ponuku softvéru umývačky stlačením a podržaním tlačidla **P** (6 sekúnd).
2. Prepli ste na ponuku Ovládanie *NaturalDry*, stlačením tlačidla **P** môžete zmeniť stav funkcie *NaturalDry*:

**E** – zapnuté    **d** – vypnuté

Potvrďte zmenu a zatvorte ponuku ovládania stlačením a podržaním tlačidla **P** (3 sekundy).

# UKLADANIE RIADU DO KOŠOV

## VRCHNÝ KÔŠ



(príklad naplnenia vrchného koša)

Ukladajte doň krehké a ľahké nádoby: poháre, šálky, tanieriky, nízke šalátové misky.

## NASTAVENIE VÝŠKY VRCHNÉHO KOŠA

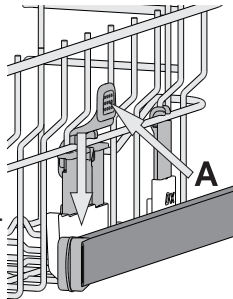
Výška vrchného koša je nastaviteľná: vysoká poloha umožňuje uložiť do spodného koša objemný riad a nízka poloha umožňuje čo najlepšie využiť opory proti prevráteniu vytvorením väčšieho miesta smerom nahor a vyhnúť sa tomu, aby riad narážal o veci v spodnom koši.

Vrchný koš je vybavený **nastavovačom výšky vrchného koša** (pozri obrázok), bez stláčania páčok ho jednoducho nadvihnete uchopením bočnic koša, len čo je koš v stabilnej hornej polohe.

Na vrátenie do spodnej polohy stlačte páčky **A** na bokoch koša a posuňte koš nadol.

**V žiadnom prípade neodporúčame nastavovať výšku koša, keď je plný.**

**NIKDY nezdvíhajte ani nespúšťajte koš iba na jednej strane.**



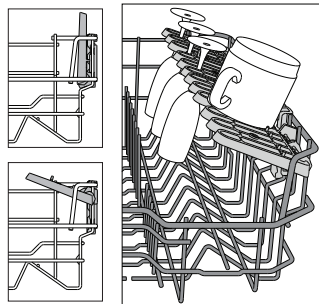
## SKLÁPACIE KLAPKY S NASTAVITELNOU POLOHOU

Postranné sklopné opěrky lze sklopit nebo vyklopit za účelem lepšího uspořádání nádobí v koši.

Do sklopných opěrek je možno bezpečne umístit sklenice na víno, a to tak, že stopku každé z nich opřeme do příslušného vybrání.

Podle modelu:

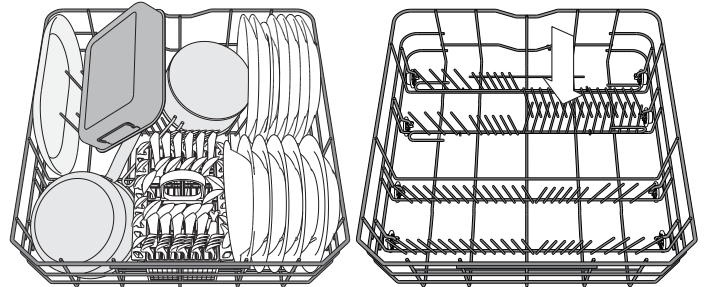
- vyklopení opěrek: je třeba je posunout nahoru a otočit jimi nebo je uvolnit z příchytek a zatáhnout směrem dolů;
- sklopení opěrek: je třeba jimi otočit a posunout je dolů, nebo je vytáhnout směrem nahoru a připnout do příchytek.



## SPODNÝ KÔŠ

Na hrnce, pokrievky, taniere, šalátové misky, príbor a pod. Veľké taniere a pokrievky by mali byť uložené po bokoch, aby na ne ostrekovacie ramená nenarážali.

Spodný koš má opory proti prevráteniu, ktoré možno použiť v zvislej polohe pri ukladaní tanierov alebo v horizontálnej polohe (nižšie) pre ľahké uloženie panvíc a šalátových mís.



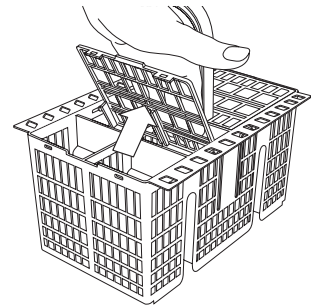
(príklad naplnenia spodného koša)

## KOŠÍK NA PRÍBOR

Je vybavený hornou mriežkou na lepšie rozloženie príboru.

Musí byť uložený iba v prednej časti spodného koša.

**Nože a ostatné kusy príboru s ostrými hrotmi treba uložiť do košíka na príbor hrotmi nadol, alebo musia byť uložené vodorovne v naklonených priehradkách na vrchom koši.**



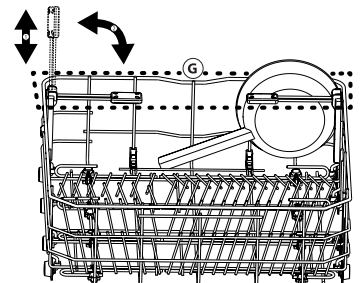
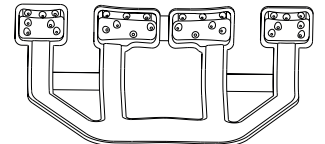
## FUNKCIA POWER CLEAN® V SPODNOM KOŠI

Funkcia Power Clean® využíva špeciálne vodné dýzy v zadnej časti priestoru na intenzívne umývanie veľmi špinavých nádob. Spodný koš má oddeľovaciu zónu, špeciálnu vyťahovaciu oporu v zadnej časti koša, ktorá môže slúžiť na podopretie panvíc alebo plechov na pečenie, aby boli v zvislej polohe a zabrali tak menej miesta.

Po umiestnení hrncov/kastrólov oproti komponentu Power Clean® aktivujte na ovládacom paneli **POWER CLEAN**.

Ako používať Power Clean®:

1. Upravte priestor Power Clean® (G) sklopením zadných držiakov tanierov, aby sa tam zmestili hrnce.
2. Vložte vertikálne naklonené hrnce a kastróly do oblasti Power Clean®. Hrnce musia byť naklonené smerom k vodným dýzám.



# KAŽDODENNÉ POUŽÍVANIE

## 1. SKONTROLUJTE PRIPOJENIE K VODOVODU

Skontrolujte, či je spotrebič pripojený k vodovodnej sieti a či je otvorený vodovodný ventil.

## 2. ZAPNITE UMÝVAČKU

Otvorte dvierka a stlačte tlačidlo **ZAP./VYP.**

## 3. ULOŽTE RIAD DO KOŠOV

(pozri **UKLADANIE RIADU DO KOŠOV**)

## 4. PLNENIE DÁVKOVAČA UMÝVACIEHO PROSTRIEDKU

## 5. ZVOĽTE PROGRAM A UPRAVTE SI CYKLUS PODĽA ŽELANIA

Vyberte najvhodnejší program podľa typu nádob a stupňa zašpinenia (pozri **OPIS PROGRAMOV**) stlačením tlačidla **P**.

Vyberte želané možnosti (pozri **MOŽNOSTI A FUNKCIE**).

## 6. ŠTART

Stlačením tlačidla **ŠTART/Pauza** (LED svieti) a zatvorením dvierok do 4 sekúnd spustíte cyklus umývania. Program sa začne po jednom pípnutí. Ak dvierka nezatvoríte do 4 sekúnd, ozve sa výstražný signál. V takom prípade dvierka otvorte, stlačte tlačidlo **ŠTART/Pauza** a do 4 sekúnd dvierka znovu zatvorte.

## 7. UKONČENIE CYKLU UMÝVANIA

Na konci umývacieho cyklu sa ozvú pípania a na displeji bliká číslo umývacieho cyklu. Otvorte dvierka a vypnite spotrebič stlačením tlačidla **ZAP./VYP.**

Niekoľko minút počkajte, aby ste sa nepopálili, a potom nádoby vyberte. Vložte riad z košov, začnite od spodného.

Po dlhšej dobe nečinnosti sa spotrebič automaticky vypne, aby sa minimalizovala spotreba elektrickej energie. Ak je riad iba mierne znečistený, alebo bol pred vložením do umývačky opláchnutý vodou, primerane znížte množstvo umývacieho prostriedku.

## ÚPRAVA BEŽIACEHO PROGRAMU

Ak ste zvolili nesprávny program, je možné ho zmeniť za predpokladu, že od jeho spustenia uplynula len krátka chvíľa: otvorte dvierka, stlačte a podržte tlačidlo **ZAP./VYP.** a spotrebič sa vypne.

Znova spotrebič zapnite pomocou tlačidla **ZAP./VYP.** a zvolte nový umývací cyklus a požadovanú možnosť; Stlačením tlačidla **ŠTART/Pauza** a zatvorením dvierok do 4 sekúnd spustíte cyklus umývania.

## PRIDANIE ĎALŠIEHO RIADU

Bez vypnutia spotrebiča otvorte dvierka (LED kontrolka **ŠTART/Pauza** začne blikať) (**dajte pozor na HORÚCU paru!**) a vložte riad do umývačky. Stlačte tlačidlo **ŠTART/Pauza** a do 4 sekúnd zatvorte dvierka, cyklus bude pokračovať od bodu, v ktorom bol prerušený.

## NÁHODNÉ PRERUŠENIA

Ak sa dvierka otvoria počas umývacieho cyklu alebo pri výpadku elektriny, cyklus sa zastaví. Stlačte tlačidlo **ŠTART/Pauza** a do 4 sekúnd zatvorte dvierka, cyklus bude pokračovať od bodu, v ktorom bol prerušený.

# RADY A TIPY

## TIPY

Pred naložením riadu do košov odstráňte všetky zvyšky jedla z nádob a vyprázdňte poháre. **Riad nemusíte vopred oplachovať pod tečúcou vodou.**

Uložte nádoby tak, aby sedeli pevne na mieste a neprevrátili sa; a uložte ich tak, aby boli otvorené nadol, a vypuklé časti, aby boli naklonené a voda sa tak mohla voľne dostať ku všetkým povrchom.

**Pozor:** veká, rúčky, podnosy a panvice na vysmážanie nesmú brániť otáčaniu ostrekovacích ramien.

Drobné veci ukladajte do košíka na príbor.

Veľmi špinavý riad a hrnce treba ukladať do spodného koša, lebo v tejto časti sú prúdy vody silnejšie a zvyšujú umývací výkon.

Po naplnení spotrebiča sa presvedčte, či sa ostrekovacie ramená môžu voľne otáčať.

## NEVHODNÉ PREDMETY

- Drevené nádoby a príbor.
- Krehké zdobené poháre, umelecký ručne maľovaný a starožitný porcelán. Ich zdobenie nie je odolné.
- Časti z plastu, ktoré nie sú odolné voči vysokým teplotám.
- Medené a cínové nádoby.
- Riad zašpinený od popola, vosku, mazadiel alebo atramentu.

Farby ozdôb na skle a hliníkové/strieborné kusy sa môžu počas umývania meniť a vyblednúť. Niektoré typy skla (napr. krištáľové predmety) môžu po niekoľkých umytiach zmatnieť.

## POŠKODENIE SKLA A PORCELÁNU

- Používajte iba sklo a porcelán, pri ktorých výrobca zaručuje, že ich možno bezpečne umývať v umývačke.
- Používajte jemný umývací prostriedok vhodný na porcelán
- Vytiahnite poháre a príbor z umývačky hneď po skončení umývacieho cyklu.

## TIPY NA ÚSPORU ENERGIE

- Keď používate umývačku riadu do domácnosti v súlade s pokynmi výrobcu, **pri umývaní kuchynského riadu v umývačke sa spravídla spotrebuje MENEJ ENERGIE a vody ako pri ručnom umývaní riadu.**
- Na dosiahnutie maximálnej efektivity umývačky riadu sa odporúča **spustiť cyklus umývania až potom, čo bude kompletne naplnená.** Ak naložíte umývačku riadu až do kapacity uvedenej výrobcu, prispějete tým k úspore energie a vody. Informácie o správnom naložení riadu nájdete v kapitole s názvom **NAKLADANIE KOŠOV**. V prípade čiastočného naplnenia sa odporúča používať špecializované možnosti umývania (Polovičná náplň/Zónové umývanie/Multizónové umývanie), ak sú k dispozícii, a naplniť iba konkrétne koše. Pri nesprávnom alebo nadmernom naplnení sa môže zvýšiť spotreba umývačky (či už ide o spotrebu vody, energie, času alebo väčšiu mieru hluku), čo povedie k zníženiu výkonu pri umývaní a sušení.
- Manuálne predbežné oplachovanie kuchynského riadu má za následok zvýšenú spotrebu vody a energie, a preto sa neodporúča.

## HYGIENA

Aby ste sa vyhli zápachu a usadeninám, ktoré sa môžu nahromadiť v umývačke, **aspoň raz do mesiaca spustíte program s vysokou teplotou.** Do prázdnej umývačky dajte čajovú lyžičku umývacieho prostriedku a pustite ju naprázdno, aby sa vyčistila.

# STAROSTLIVOSŤ A ÚDRŽBA

## ČISTENIE ZOSTAVY FILTRA

Zostavu filtra pravidelne čistite, aby sa filtre neupchali a odpadová voda mohla správne odtekať.

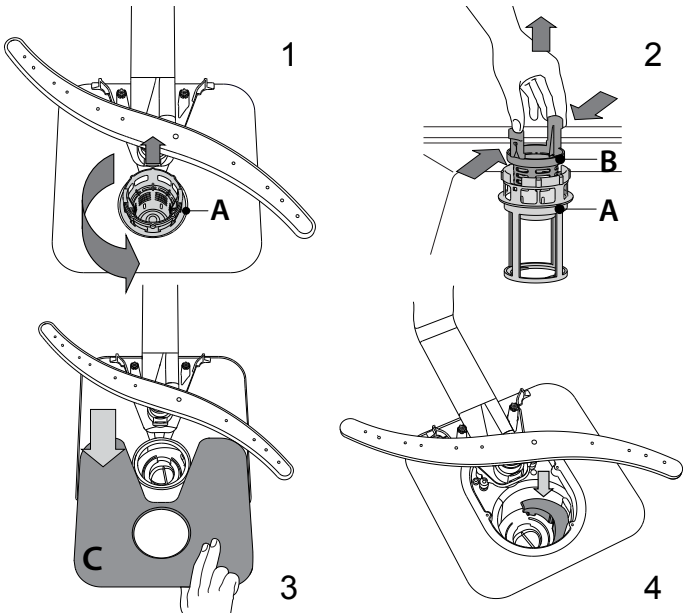
Ak používate umývačku riadu s upchatými filterami alebo s cudzími telesami vo filtračnom systéme či v ostrekovacích ramenách, môže to spôsobiť poruchu s následným zhoršením výkonu, nárastom hluku alebo zvýšením spotreby.

Zostava filtra pozostáva z troch filtrov, ktoré odstraňujú zvyšky jedla z umývačky a potom vodu recirkulujú.

**Umývačku nesmiete používať bez filtrov, alebo ak je filter uvoľnený.**

Aspoň raz mesačne alebo zakaždým po 30 cykloch skontrolujte zostavu filtra a v prípade potreby ju pomocou nekovovej kefkou dôkladne vyčistite pod tečúcou vodou podľa nižšie uvedených pokynov:

1. Otočte valcovým filtrom **A** proti smeru hodinových ručičiek a vyťahnite ho (obr. 1).
2. Vyťahnite vrchný filter **B** jemným zatlačením na bočné klapky (obr. 2).
3. Vyberte plechový filter z nehrdzavejúcej ocele **C** (obr. 3).
4. V prípade, že nájdete cudzie telesá (napr. úlomky skla, porcelánu, kostí, ovocné semená a pod.), **opatrne ich vyberte**.
5. Skontrolujte sifón a odstráňte zvyšky jedla. **NIKDY NEVYBERAJTE ochranu čerpadla (čierny dielec)** (obr. 4).



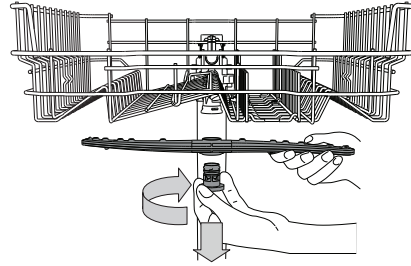
Po vyčistení filtrov zostavu filtrov vložte na miesto a zafixujte v správnej polohe; je to dôležité pre správnu činnosť umývačky.

## ČISTENIE PRÍVODNEJ HADICE

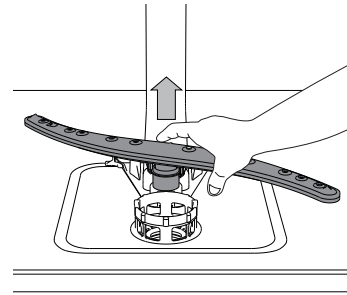
Ak sú hadice nové alebo sa dlhší čas nepoužívali, nechajte cez ne pretiecť vodu, aby ste sa ubezpečili, že sú priepustné a nenachádzajú sa v nich nečistoty, až potom ich pripojte. Ak tento krok vynecháte, prívod vody sa môže upchať a poškodiť umývačku.

## ČISTENIE OSTREKOVACÍCH RAMIEN

Občas sa zvyšky jedla môžu zasušiť aj na ostrekovacích ramenách a zablokovať dierky, cez ktoré strieka voda. Preto sa odporúča občas ramená kontrolovať a čistiť ich malou nekovovou kefkou.



Horné ostrekovacie rameno odstránite pootočením plastového upevňovacieho krúžku v smere pohybu hodinových ručičiek. Vrchné rameno treba vymeniť tak, aby strana s väčším počtom dierok smerovala nahor.



Spodné ostrekovacie rameno možno vybrať potiahnutím nahor.

## SYSTÉM NA ZMÄKČOVANIE VODY

Zmäkčovač vody automaticky znižuje tvrdosť vody, čím zároveň zabraňuje tvorbe vodného kameňa v ohrievači a prispieva k vyššej efektívnosti umývania.

**Tento systém sa automaticky regeneruje pomocou soli, a preto je nutné pravidelne dopĺňať zásobník soli, keď bude prázdny.**



Intervaly vykonávania regenerácie závisia od nastavenia tvrdosti vody – regenerácia sa vykonáva raz za 6 Eko cyklov, ak je tvrdosť vody nastavená na 3.

Proces regenerácie sa začne počas záverečného oplachovania a skončí sa počas fázy sušenia ešte predtým, než sa skončí celý cyklus.

- Pri regenerácii sa spotrebuje: približne 3,5 litra vody;
- Pridá k cyklu dodatočných 5 minút;
- Spotrebuje sa pri nej 0,005 kWh energie.

# URIEŠENIE PROBLÉMOV

Ak vaša umývačka riadnu nefunguje správne, zistíte, či problém nemožno vyriešiť po konzultácii s nasledujúcim zoznamom. V prípade ďalších chýb a problémov sa obráťte na autorizovaný popredajný servis, pričom kontaktné údaje nájdete v záručnej knižke. Náhradné diely budú k dispozícii počas 7 alebo až 10 rokov podľa konkrétnych požiadaviek nariadení.

PROBLÉMY	MOŽNÉ PRÍČINY	RIEŠENIA
 Kontrolka úrovne soli svieti	Zásobník soli je prázdny. (Po doplnení soli môže kontrolka svietiť ešte niekoľko cyklov umývania).	Doplňte do zásobníka solí (ďalšie informácie nájdete na strane 2). Nastavte tvrdosť vody – pozrite si tabuľku na strane 2.
 Kontrolka úrovne leštidla svieti	Zásobník na leštidlo je prázdny. (Po doplnení leštidla môže kontrolka svietiť ešte niekoľko cyklov umývania).	Doplňte do zásobníka leštidla (ďalšie informácie nájdete na strane 2).
Umývačka sa nespúšťa a nereaguje na príkazy.	Spotrebič nie je riadne pripojený do elektrickej zásuvky.	Zastrčte zástrčku do zásuvky.
	Výpadok prúdu.	Z bezpečnostných dôvodov sa umývačka riadu automaticky nereštartuje po obnovení napájania. Otvorte dvierka umývačky, stlačte tlačidlo ŠTART/Pauza a zatvorte dvierka do 4 sekúnd.
	Dvierka umývačky nie sú zatvorené. Kolík NaturalDry nie je vtiiahnutý.	Energicky dvierka zatlačte tak, aby ste počuli "cvaknutie".
	Po otvorení dverí na viac ako 4 sekundy sa cyklus preruší.	Stlačte ŠTART/Pauza do 4 sekúnd a zatvorte dvie.
Z umývačky neodtiekla voda. Zobrazenie na displeji: <b>3</b> a LED dióda ZAP./VYP. rýchlo bliká.	Umývací cyklus sa ešte neskočil.	Počkajte, kým sa umývací cyklus neskončí.
	Odtoková hadica je ohnutá.	Skontrolujte, či odtoková hadica nie je ohnutá (pozri NÁVOD NA INŠTALÁCIU).
	Odtokové potrubie drezu je upchaté.	Vyčistite odtokové potrubie drezu.
	Filter je upchatý zvyškami jedla	Vyčistite filter (pozri ČISTENIE ZOSTAVY FILTRA).
Umývačka vydáva nadmerný hluk.	Nádoby o seba hrkocú.	Uložte nádoby správne (pozri UKLADANIE RIADU DO KOŠOV).
	Tvorí sa nadmerné množstvo peny.	Umývací prostriedok nebol dávkovaný správne alebo nie je vhodný do umývačiek riadu (pozri PLNENIE DÁVKOVAČA UMÝVACIEHO PROSTRIEDKU). Vypnutím umývačky reštartujte aktuálny cyklus a následne ju znova zapnite, zvolte nový program, stlačte tlačidlo ŠTART/Pauza a zatvorte dvierka do 4 sekúnd. Nepridávajte čistiaci prostriedok.
Riad nie je čistý.	Riad nebol správne uložený.	Uložte nádoby správne (pozri UKLADANIE RIADU DO KOŠOV).
	Ostrekovacie ramená sa nemôžu voľne točiť, bránia im v tom kusy riadu.	Uložte nádoby správne (pozri UKLADANIE RIADU DO KOŠOV).
	Umývací cyklus je príliš jemný.	Vyberte príslušný umývací cyklus (pozri TABUĽKU PROGRAMOV).
	Tvorí sa nadmerné množstvo peny.	Umývací prostriedok nebol dávkovaný správne alebo nie je vhodný do umývačiek riadu (pozri PLNENIE DÁVKOVAČA UMÝVACIEHO PROSTRIEDKU).
	Veko priehradky na leštidlo nebolo správne uzavreté.	Presvedčte sa, či je veko dávkovača leštidla uzavreté.
	Filter je špinavý alebo upchatý.	Vyčistite zostavu filtrov (pozri STAROSTLIVOSŤ A ÚDRŽBA).
Umývačka sa neplní vodou. Zobrazenie na displeji: <b>H</b> , <b>6</b> a LED dióda ZAP./VYP. rýchlo bliká.	Chýba soľ.	Naplňte zásobník soli (pozri PLNENIE ZÁSOBNÍKA SOLI).
	V prívode nie je voda alebo je uzavretý ventil.	Presvedčte sa, či je v prívode voda a či tečie voda z kohútika.
	Prívodná hadica je ohnutá.	Presvedčte sa, či prívodná hadica nie je ohnutá (pozri kapitolu INŠTALÁCIA), znovu umývačku naprogramujte a spustite.
Umývačka riadu predčasne dokončí cyklus. Zobrazenie na displeji: <b>15</b> a LED dióda ZAP./VYP. rýchlo bliká.	Sítko v prívodnej hadici na vodu je upchaté; je potrebné ho vyčistiť.	Po overení a vyčistení vypnite a zapnite umývačku a reštartujte nový program.
	Odtoková hadica je umiestnená príliš nízko alebo voda odteká do domáceho odpadového systému.	Skontrolujte, či je koniec odtokovej hadice umiestnený v správnej výške (pozri kapitolu INŠTALÁCIA). Skontrolujte, či voda odteká do domáceho odpadového systému a v prípade potreby nainštalujte ventil na prívod vzduchu.
	V prívode vody je vzduch.	Skontrolujte, či prívod vody neprepúšťa alebo či dovnútra nevniká vzduch z iných dôvodov.



Firemné zásady, štandardnú dokumentáciu, objednávanie náhradných dielov a ďalšie informácie o produkte nájdete na:

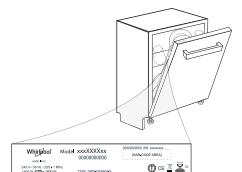
• Našej webovej stránke [docs.whirlpool.eu/docs](https://docs.whirlpool.eu/docs) a [parts-selfservice.europeanappliances.com](https://parts-selfservice.europeanappliances.com).

• Pomocou QR kódu

• Prípadne **sa obráťte na náš popredajný servis** (Telefónne číslo nájdete v záručnej knižke).

Pri kontaktovaní nášho popredajného servisu uveďte, prosím, kódy z výrobného štítku vášho spotrebiča.

Informácie o modeli získate cez QR kód na energetickom štítku. Na štítku tiež nájdete identifikačné číslo modelu, ktoré môžete použiť na vyhľadávanie v registri na portáli <https://eprel.ec.europa.eu>



**400011483000B**

12/2024 ks - Xerox Fabriano





# NAVODILA ZA ODPRAVLJANJE TEŽAV



HVALA, KER STE KUPILI IZDELEK ZNAMKE WHIRLPOOL.  
Za popolno podporo aparat registrirajte na spletni strani:  
[www.whirlpool.eu/register](http://www.whirlpool.eu/register)

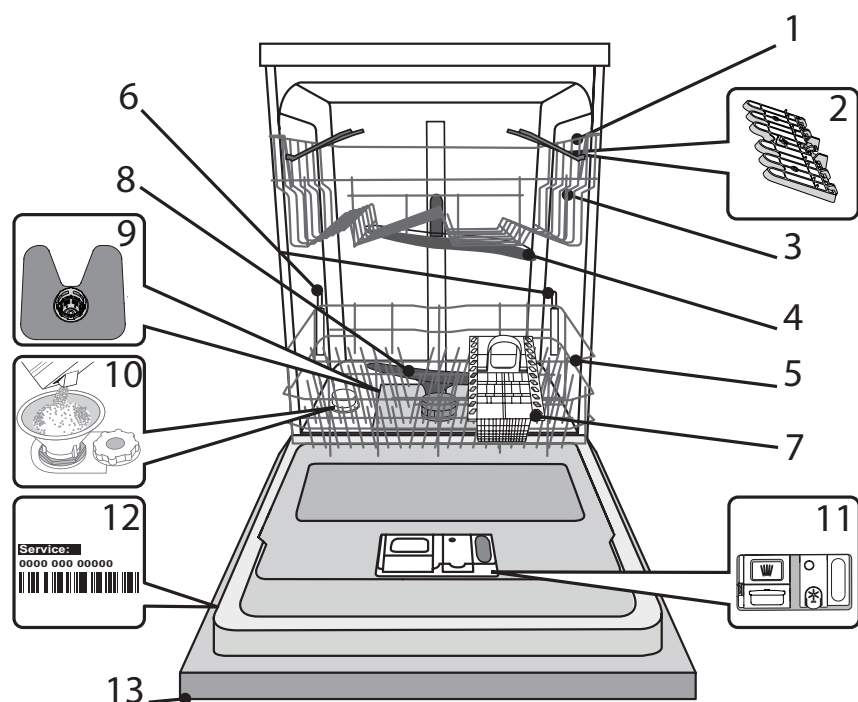


Varnostna navodila in Navodila za uporabo lahko prenesete tako, da obiščete naše spletno mesto [docs.whirlpool.eu/docs](http://docs.whirlpool.eu/docs) in sledite navodilom na hrbtni strani te knjižice.

**Pred uporabo aparata pozorno preberite Varnostna navodila.**

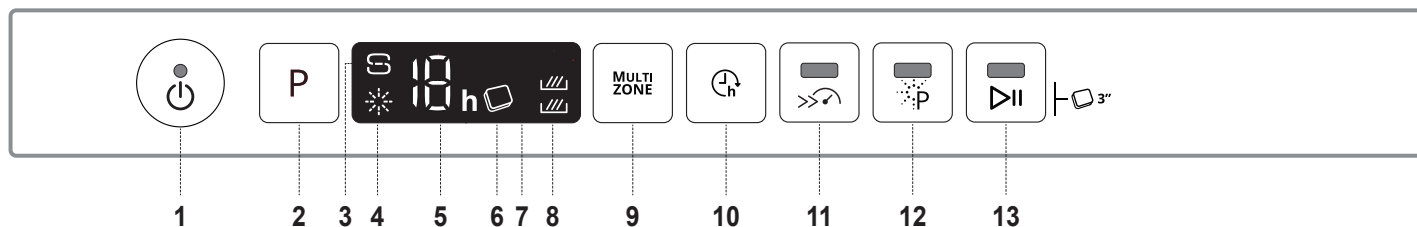
## OPIS IZDELKA

### APARAT



1. Zgornja košara
2. Zložljiva polička
3. Regulator višine zgornje košare
4. Zgornja pršilna roka
5. Spodnja košara
6. Nosilci PowerClean
7. Košarica za pribor
8. Spodnja pršilna roka
9. Filtrirni sklop
10. Posoda za sol
11. Prekat za pomivalno sredstvo in posoda za tekočino za lesk
12. Napisna ploščica
13. Upravljalna plošča

### UPRAVLJALNA PLOŠČA



- |   |  |
|---|--|
| <ol style="list-style-type: none"> <li>1. Tipka za vklop/izklop/ponastavitev s signalno lučko</li> <li>2. Tipka za izbiro programa</li> <li>3. Signalna lučka za nizko raven soli</li> <li>4. Signalna lučka za nizko raven tekočine za lesk</li> <li>5. Številka programa in prikaz zamika vklopa</li> <li>6. Signalna lučka za Tablete</li> <li>7. Zaslona</li> </ol> | <ol style="list-style-type: none"> <li>8. Signalna lučka za Multizone</li> <li>9. Tipka za Multizone</li> <li>10. Tipka za zamik vklopa</li> <li>11. Tipka za Turbo s signalno lučko</li> <li>12. Tipka za Power Clean® s signalno lučko</li> <li>13. Tipka za ZAGON/Premor s signalno lučko/ Tableta</li> </ol> |
|---|--|

# PRVA UPORABA

## SOL, TEKOČINA ZA LESK IN POMIVALNO SREDSTVO

### NASVETI ZA PRVO UPORABO

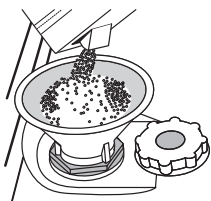
Po namestitvi iz košar odstranite varovala in pritrtilne elastike iz zgornje košare.

### POLNJENJE POSODE ZA SOL

Uporaba soli preprečuje nastajanje VODNEGA KAMNA na posodi in na delujočih komponentah aparata.

- Obvezno je, da **POSODA ZA SOL NI NIKOLI PRAZNA**.
- Trdoto vode je treba obvezno nastaviti.

Posoda za sol je nameščena na spodnji strani pomivalnega stroja (*glejte OPIS IZDELKA*). Morate jo napolniti, kadar na nadzorni plošči sveti indikatorna lučka za **POLNJENJE SOLI**.



1. Izvzemite spodnjo košaro in odvijte pokrovček posode (v nasprotni smeri urnega kazalca).
2. **Samo ob prvi uporabi: posodo za sol napolnite z vodo.**
3. Namestite lijak (*glejte sliko*) in posodo za sol napolnite do roba (približno 1 kg); nič nenačnega ni, če pri tem iz posode izteče nekaj vode.
4. Odstranite lijak in obrišite ostanke soli okrog odprtine.

Pokrovček mora biti trdno pravit, da pomivalno sredstvo med pomivanjem ne more prodreti v posodo (to bi lahko sistem za mehčanje vode nepopravljivo poškodovalo).

**Ko je treba dodati sol, morate postopek obvezno zaključiti pred začetkom pralnega cikla, da preprečite korozijo.**

### NASTAVITEV TRDOTE VODE

Za brezhibno delovanje sistema za mehčanje vode je ključnega pomena, da nastavev trdote vode ustreza dejanskim vrednostim trdote vode v vašem domu. Te vrednosti so vam na voljo pri krajevnem vodovodnem podjetju.

Privzeta vrednost trdote vode je nastavljena tovarniško.

- S pritiskom na tipko za **VKLOP/IZKLOP** vklopite aparat.
- S pritiskom na tipko za **VKLOP/IZKLOP** izklopite aparat.
- 5 sekund držite tipko za **P**, da zaslišite zvočni signal.
- S pritiskom na tipko za **VKLOP/IZKLOP** vklopite aparat.
- Številka trenutno izbrane stopnje in signalna lučka za nizko raven soli utripata.
- Pritisnite tipko **P** za izbiro zelene ravni trdote (*glejte RAZPREDELNICO ZA TRDOTO VODE*).

Tabela trdote vode

Stopnja	°dH Nemške stopinje	°fH Francoske stopinje	°Clark Angleške stopinje
1 Mehka	0 - 6	0 - 10	0 - 7
2 Srednja	7 - 11	11 - 20	8 - 14
3 Povprečna	12 - 16	21 - 29	15 - 20
4 Trda	17 - 34	30 - 60	21 - 42
5 Zelo trda	35 - 50	61 - 90	43 - 62

- S pritiskom na tipko za **VKLOP/IZKLOP** izklopite aparat.

Nastavev je končana!

Ko to storite, zaženite program brez posode.

**Uporabite sol, ki je bila zasnovana posebej za pomivalne stroje.**

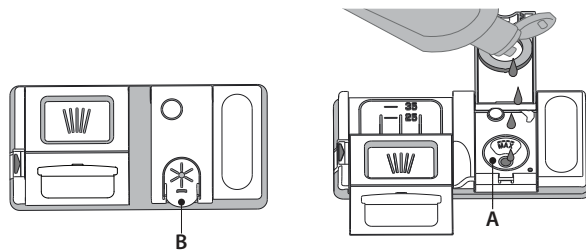
Ko dodate sol, signalna lučka za NIZKO RAVEN SOLI ugasne.

**Če posoda za sol ni napolnjena, se lahko sistem za mehčanje vode in grelnik poškodujeta zaradi nabiranja vodnega kamna.**

**Uporaba soli je priporočljiva s katero koli vrsto sredstva za pomivanje posode.**

### POLNJENJE POSODE ZA TEKOČINO ZA LESK

Tekočina za lesk olajša SUŠENJE posode. Posodo za tekočino za lesk **A** je treba napolniti, ko na upravljalni plošči zasveti **signalna lučka za NIZKO RAVEN TEKOČINE ZA LESK**.



1. Posodo **B** odprete tako, da pritisnete na jeziček na pokrovčku in ga povlečete.
2. Tekočino za lesk previdno nalijte do oznake za maksimum (110 ml), pri čemer pazite, da tekočine ne polivate. Če se to vseeno zgodi, razlito tekočino nemudoma pobrišite s suho krpo.
3. Pritisnite na pokrovček, da se slišno zaskoči.

**Tekočine za lesk NE nalivajte neposredno v kad.**

### NASTAVITEV ODMERJANJA TEKOČINE ZA LESK

Če rezultati sušenja niso popolnoma zadovoljivi, lahko spremenite količino uporabljene tekočine za lesk.

- Vključite pomivalni stroj s tipko za **VKLOP/IZKLOP**.
- Aparat izklopite s tipko za **VKLOP/IZKLOP**.
- Trikrat pritisnite tipko **P** – zasliši se zvočni signal.
- Aparat vklopite s tipko za **VKLOP/IZKLOP**.
- Številka trenutno izbrane ravni in signalna lučka tekočine za lesk utripata.
- Pritisnite tipko **P**, da izberete količino dovajanja tekočine za lesk.
- Aparat izklopite s tipko za **VKLOP/IZKLOP**.

Nastavev je končana!

Če je raven tekočine za lesk nastavljena na NIČ (EKO), aparat ne bo dovajal tekočine za lesk. Signalna lučka za NIZKO RAVEN TEKOČINE ZA LESK ne bo zasvetila, če tekočine za lesk zmanjka.

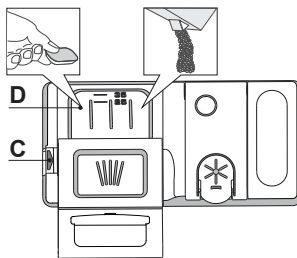
Glede na model pomivalnega stroja je mogoče nastaviti največ 5 stopnje. Tovarniška namestitev je odvisna od modela. Pri svojem aparatu jo preverite, tako da sledite zgornjim navodilom.

- Če so na posodi modre črte, nastavite nižjo vrednost (1-2).
- Če so na posodi sledi vodnih kapljic ali vodnega kamna, nastavite višjo vrednost (3-4).

### POLNJENJE PREKATA ZA POMIVALNO SREDSTVO

**Da odprete prekat za pomivalno sredstvo, uporabite odpiralo C.**

**Pomivalno sredstvo dodajte samo v suh prekat D. Količino pomivalnega sredstva za predpomivanje odmerite neposredno v kad.**



1. Pri odmerjanju pomivalnega sredstva glejte prej omenjene podatke, da boste odmerili ustrezno količino. V prekату **D** so označbe za pomoč pri doziranju pomivalnega sredstva.
2. Odstranite ostanke pomivalnega sredstva z robov prekata in zaprite pokrovček tako, da se slišno zaskoči.
3. Zaprite pokrovček prekata za pomivalno sredstvo tako, da ga potiskate navzgor, dokler zapiralo ni na svojem mestu.

Prekat za pomivalno sredstvo se ob pravem času glede na dani program samodejno odpre.

Če uporabljate detergente „vse v enem“, priporočamo uporabo tipke za **TABLETE**, ki program nastavi tako, da so zagotovljeni najboljši rezultati pomivanja in sušenja.

**Uporaba pralnega sredstva, ki ni namenjen strojnemu pomivanju, lahko povzroči nepravilno delovanje ali aparat poškoduje.**

# PROGRAMSKA TABELA

Program	Faza sušenja	NaturalDry	Razpoložljive možnosti *	Trajanje pomivanja (h:min)**	Poraba vode (litri/pranje)	Poraba energije (kWh/pranje)
1. Eko ECO 50°	✓	✓		3:10	9,5	0,85
2. 6 <sup>th</sup> Sense 50-60°	✓	✓	MULTI ZONE	1:25 - 3:00	7,0 - 14,0	0,90 - 1,40
3. Intenzivno 65°	✓	✓	MULTI ZONE	2:50	14,0	1,50
4. Hitro pranje in sušenje 50°	✓	✓	MULTI ZONE	1:25	11,5	1,10
5. Kristal 45°	✓	✓	MULTI ZONE	1:40	11,5	1,20
6. Hitri program 30' 50°	-	-	MULTI ZONE	0:30	9,0	0,50
7. Tiho 50°	✓	✓		3:30	15,0	1,15
8. Predpomivanje	-	-	MULTI ZONE	0:12	4,5	0,01

Meritve podatkov za program EKO so bile izvedene v laboratorijskih pogojih v skladu z evropskim standardom EN 60436:2020.

Opozorilo za preizkusne laboratorije: za informacije o pogojih izvajanja primerjalnega preizkusa EN pišite na naslednji elektronski naslov: [dw\\_test\\_support@europeanappliances.com](mailto:dw_test_support@europeanappliances.com)

Predhodna obdelava posode ni potrebna pri nobenem programu.

\*) Vseh možnosti ni mogoče uporabljati istočasno.

\*\*) Vrednosti, podane za druge programe, razen za program Eko, so samo okvirne. Dejanski čas je odvisen od številnih faktorjev, kot so temperatura in tlak dovodne vode, sobna temperatura, količina pomivalnega sredstva, količina in vrsta posode, uravnotežena porazdelitev posode, dodatne izbrane možnosti in umerjanje senzorja. Umerjanje senzorja lahko program podaljša do 20 min.

## OPISI PROGRAMOV

### Navodila za izbiro programov pomivanja.

#### 1 EKO

Program Eko je primeren za pomivanje običajno umazane posode, saj je za to uporabo najučinkovitejši program z vidika kombinirane porabe energije in vode, poleg tega pa izpolnjuje skladnost z zakonodajo EU o okoljsko primerni zasnovi.

#### 2 6<sup>th</sup> SENSE®

Za običajno umazano posodo z zasušenimi ostanki hrane. Senzor zazna raven umazanije posode in ustrezno prilagodi program. Ko tipalo zazna raven umazanije, se na zaslonu pojavi prikaz in trajanje cikla se posodobi.

#### 3 INTENZIVNO

Program priporočamo za pomivanje zelo umazane posode. Še posebej primeren je za lonce in ponve (ne uporabljajte ga za občutljivo posodo).

#### 4 HITRO PRANJE IN SUŠENJE

Običajno umazana posoda. Vsakodnevno pomivanje in sušenje, ki v krajšem času zagotovi optimalne rezultate.

#### 5 KRISTAL

Program za posodo, ki je bolj občutljiva na visoke temperature (npr. kozarci in skodelice).

#### 6 HITRI PROGRAM 30'

Program, ki se uporablja za polovično napolnjen pomivalni stroj in je namenjen pomivanju rahlo umazane posode brez posušenih ostankov hrane. Brez faze sušenja

#### 7 TIHO

Primeren za nočno delovanje aparata. Zagotavlja optimalne rezultate čiščenja in sušenja s kar najbolj tihim delovanjem.

#### 8 PREDPOMIVANJE

Za predpomivanje posode, ki jo boste pomili pozneje. Za ta program pomivalno sredstvo ni potrebno.

#### Opombe:

Upoštevajte, da je cikel *Hitri program 30'* namenjen pomivanju rahlo umazane posode.

# MOŽNOSTI IN FUNKCIJE

MOŽNOSTI je mogoče neposredno izbrati s pritiskom na ustrezno tipko (glejte NADZORNO PLOŠČO).

**Če določena možnost ni združljiva z izbranim programom glejte PROGRAMSKO TABELO, pripadajoča LED-lučka trikrat utripne in zasliši se zvočni signal. Možnost ne bo omogočena.**

## MULTI ZONE MULTIZONE

Če vam ni treba pomiti veliko posode, lahko uporabite polovično polnjenje, da tako varčujete z vodo, elektriko in pomivalnim sredstvom.

Izberite program in pritisnite tipko za MULTIZONE: simbol izbrane košare se pojavi na zaslonu. Tovarniško je nastavljeno pomivanje posode v vseh košarah.

Za pomivanje posode v določeni košari tipko pritisnite večkrat:



na zaslonu (samo spodnja košara)



na zaslonu (samo zgornja košara)



na zaslonu (možnost je IZKLOPLJENA, aparat pomiva posodo v vseh košarah).

**Napolnite le zgornjo ali spodnjo košaro in ustrezno zmanjšajte količino pomivalnega sredstva.**

**Če odstranite zgornjo košaro, pomivalno sredstvo vlijete neposredno v kad, namesto v prekat za pomivalno sredstvo**



## ZAMIK VKLOPA

Začetek programa lahko zamaknete za obdobje med 1 in 12 urami.

1. Pritisnite tipko za ZAMIK VKLOPA; na prikazovalniku se pojavi ustrezen simbol **h**; vsakič, ko pritisnete na tipko, se bo čas od začetka izbranega programa povečal (1 h, 2 h itd. do maks. 12 h).
2. Izberite program, pritisnite gumb za ZAGON/Premor in v 4 sekundah zaprite vrata: čas se začne odšteti.
3. Ko čas poteče, signalna lučka **h** ugasne, program pa se zažene.

Za nastavitve časa zamika in izbor krajšega časa pritisnite tipko za ZAMIK VKLOPA. Za preklic možnosti tipko pritisnite tolikokrat, da signalna lučka **h** za zamik vklopa ugasne.

**Po vklopu pomivanja funkcije za zamik vklopa ni več mogoče nastaviti.**



## TURBO

To možnost je mogoče uporabiti za skrajšanje časa trajanja glavnih programov, pri čemer kakovost pomivanja in sušenja ostane nespremenjena.

Po izbiri programa pritisnite tipko za TURBO. Signalna lučka zasveti. Za izklop možnosti ponovno pritisnite isto tipko.



## SISTEM POWER CLEAN

Zaradi dodatnih vodnih šob ta možnost zagotavlja intenzivnejše in učinkovitejše pomivanje posode na določenem območju in spodnje košare. To možnost priporočamo za pomivanje loncev in večjih posod za pripravo hrane v pečici. Za vklop sistema Power Clean pritisnite to tipko (signalna lučka zasveti).



## TABLETE

S to nastavitvijo lahko optimizirate delovanje programa glede na vrsto uporabljenega pomivalnega sredstva.

Če uporabljate kombinirano pomivalno sredstvo v obliki tablet (tekočina za lesk, sol in pomivalno sredstvo v eni tableti), 3 sekunde držite tipko za ZAGON/Premor (ustrezen simbol zasvetita).

**Možnost izklopite, če uporabljate tekoče pomivalno sredstvo ali pomivalno sredstvo v prahu.**

## NaturalDry

NaturalDry je konvekcijski sušilni sistem, ki samodejno odpre vrata med sušenjem/po njem, da vedno poskrbi za najboljše rezultate sušenja.

Vrata se odprejo pri temperaturi, ki ne poškoduje kuhinjskega pohištva.

Vrata se ne odprejo, kadar je vklopljena možnost TURBO.

Pomivalnemu stroju je dodana posebna folija za zaščito pred paro.

Za informacije o namestitvi zaščitne folije glejte NAVODILA ZA

NAMESTITEV.

Delovanje NaturalDry lahko uporabnik izklopi na naslednji način:

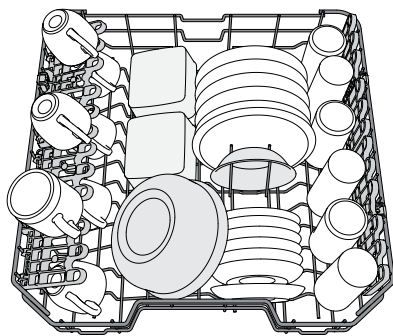
1. Gumb **P** držite 6 sekund, da odprete programski meni pomivalnega stroja.
2. Preklopili ste v upravljalni meni sistema za odpiranje vrat, kjer lahko s pritiskom na gumb **P** spremenite stanje delovanja sistema za odpiranje vrat:

**E** – vklopljeno      **d** – izklopljeno

Držite gumb **P** (3 sekunde), da potrdite spremembo in zapustite upravljalni meni.

# NALAGANJE KOŠAR

## ZGORNJA KOŠARA



(primer nalaganja posode v zgornjo košaro)

Vanjo naložite občutljivo in lahko posodo: kozarce, skodelice, krožnike in nizke sklede za solato.

## NASTAVITEV VIŠINE ZGORNJE KOŠARE

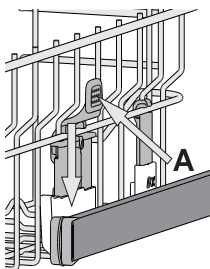
Višino zgornje košare je mogoče nastaviti: zgornji položaj omogoča zlaganje večje posode v spodnjo košaro, s spodnjim položajem pa lahko bolje izkoristite postavljalna držala. S pomikom košare ustvarite več prostora in preprečite trk s posodo, ki je naložena v spodnjo košaro.

Zgornja košara je opremljena z regulatorjem višine (glejte sliko). Brez pritiska na ročice jo dvignite tako, da jo preprosto držite na obeh straneh in jo dvigate, dokler ni stabilno nameščena v zgornjem položaju.

Da košaro znižate v spodnji položaj pritisnite na ročici **A** na straneh košare in jo pomaknite navzdol.

**Močno odsvetujemo nastavljanje višine košare, ko je ta polna.**

**Košare NIKDAR ne dvigajte ali spuščajte samo na eni strani.**

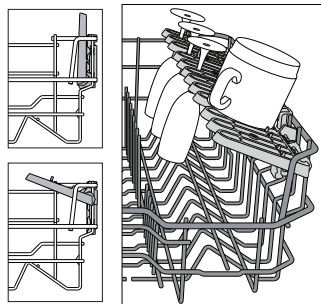


## ZLOŽLJIVA POLIČKA Z NASTAVLJIVIM POLOŽAJEM

Stranske zložljive poličke je mogoče sklopiti ali razklopiti, da lahko tako posodo kar najbolje razporedite po zgornji košari.

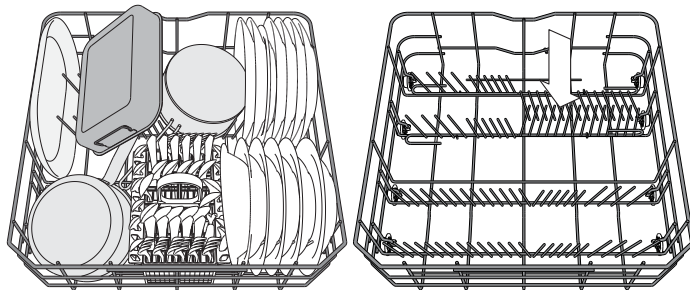
Kozarce za vino lahko z zložljivo poličko zavarujete tako, da njihove pečlje vstavite v ustrezne zareze. Glede na model pomivalnega stroja:

- če želite razklopiti poličko, jo povlecite navzgor in jo obrnite ali sprostite iz zapahov ter jo povlecite navzdol.
- če želite sklopiti poličko, jo obrnite, povlecite navzdol ali jo povlecite navzgor in namestite v zapahe.



## SPODNJA KOŠARA

Za lonce, pokrovke, krožnike, solatne sklede, pribor itd. Najboljše je, da večje krožnike in pokrovke naložite na strani, da tako ne ovirajo pršilne roke. Spodnja košara ima postavljalna držala, ki jih lahko dvignete, ko vanjo nalagate krožnike, oz. poležete, ko vstavljate ponve in solatne sklede.

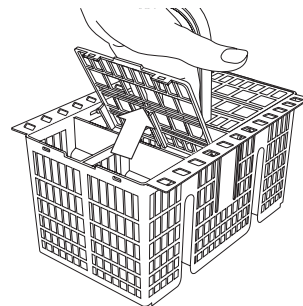


(primer zlaganja posode v spodnjo košaro)

## KOŠARICA ZA PRIBOR

Na zgornji strani košarice je mreža, ki omogoča še boljšo razporeditev pribora. Košarico lahko vstavite le v sprednji del spodnje košare.

**Nože in druge ostre pripomočke v košarico za pribor vstavite s konico navzdol. Prav tako jih lahko v vodoravnem položaju naložite v območje s postavljalnimi držali zgornje košare.**



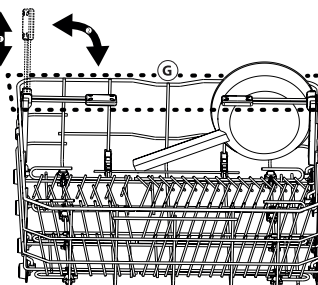
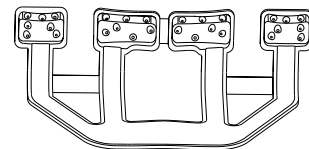
## SISTEM POWER CLEAN V SPODNJI KOŠARI

Sistem Power Clean® uporablja posebne vodne šobe na zadnji notranji stani, ki omogočajo intenzivnejše čiščenje zelo umazane posode. Spodnja košara je opremljena s Space Zone, ki je poseben izvlečni opornik na zadnji strani košare. Uporabite ga lahko za podporo ponev ali pekačev v pokončnem položaju, s čimer prihranite prostor.

Ko v aparat vstavite lonce/večje posode za pripravo hrane v pečici v smeri sistema Power Clean®, vklopite funkcijo **POWER CLEAN** na upravljalni plošči.

Uporaba sistema Power Clean®:

1. Območje Power Clean® (G) nastavite tako, da poklopite zadnja držala za krožnike, s čimer ustvarite več prostora za zlaganje loncev.
2. V območju Power Clean® lonce in večje posode za pripravo hrane v pečici naložite v navpičnem in poševnem položaju. Lonci morajo biti nagnjeni v smeri vodnih šob.



# VSAKODNEVNA UPORABA

## 1. PREVERJANJE PRIKLOPA VODE

Preverite, ali je pomivalni stroj priključen na dovod vode in ali je vodovodna pipa odprta.

## 2. VKLOP POMIVALNEGA STROJA

Odprite vrata in pritisnite tipko za **VKLOP/IZKLOP**.

## 3. NALAGANJE POSODE V KOŠARE

(glej **NALAGANJE KOŠAR**)

## 4. POLNENJE PREKATA ZA POMIVALNO SREDSTVO

(glej **PROGRAMSKA TABELA**).

## 5. IZBIRA PROGRAMA IN NASTAVITEV MOŽNOSTI

Izberite najprimernejši program glede na vrsto posode in stopnjo umazanosti (glejte **OPIS PROGRAMOV**) tako, da pritisnete tipko P. Izberite zeleno možnost (glejte **MOŽNOSTI IN FUNKCIJE**).

## 6. ZAGON

Pomivanje zaženite tako, da pritisnete na tipko za **ZAGON/Premor**, (LED-lučka zasveti) in v 4 sekundah zaprete vrata. Ob začetku programa se oglasi zvočni signal. Če v 4 sekundah ne zaprete vrat, se oglasi zvočno opozorilo. V tem primeru odprite vrata, pritisnite tipko za **ZAGON/Premor**, nato pa vrata v 4 sekundah znova zaprite.

## 7. KONEC POMIVANJA

Ob koncu programa pomivanja se oglasi zvočni signal in na prikazovalniku začne utripati številka programa pomivanja. Odprite vrata in s pritiskom na tipko za **VKLOP/IZKLOP** izklopite aparat. Preden izvezete posodo počakajte nekaj minut, da se ne opečete. Izpraznite košare, pri čemer začnite s spodnjo.

**Aparat se med daljšimi obdobji neaktivnosti samodejno izklopi, da tako varčuje z energijo.**

**Če je posoda le rahlo umazana ali če ste jo pred vstavljanjem v aparat sprali z vodo, ustrezno zmanjšajte količino uporabljenega pomivalnega sredstva.**

## SPREMINJANJE PROGRAMA V TEKU

Če ste izbrali napačen program, ga lahko spremenite pod pogojem, da se je program pravkar zagnal: odprite vrata, držite tipko za **VKLOP/IZKLOP** in tako izklopite aparat.

Aparat ponovno vklopite s tipko za **VKLOP/IZKLOP** in izberite nov program pomivanja ter zelene možnosti; pomivalni cikel zaženite tako, da pritisnete tipko za **ZAGON/Premor** in v 4 sekundah zaprete vrata.

## DODAJANJE POSODE

Brez izklopa aparata odprite vrata (LED-dioda za **ZAGON/Premor** začne utripati) (**pazite na VROČO paro!**) in vstavite posodo v pomivalni stroj. Pritisnite tipko za **ZAGON/Premor** in v 4 sekundah zaprite vrata. Program se nadaljuje od točke prekinitve.

## NENAMERNE PREKINITVE

Če med pomivanjem odprete vrata ali če pride do izpada električne energije, se program zaustavi. Če želite, da se program nadaljuje od točke prekinitve, pritisnite tipko za **ZAGON/Premor** in v 4 sekundah zaprite vrata.

# NASVETI IN NAMIGI

## NASVETI

Preden posodo naložite v košare, iz nje odstranite vse ostanke hrane, kozarce pa izpraznite. **Posode vam pred pomivanjem ni treba izprati pod tekočo vodo.**

Posodo naložite tako, da je trdno nameščena in se ne prevrne; posode naložite z odprtim delom navzdol, konkavne/konveksne kose pa poševno, da tako omogočite prost pretok vode za pomivanje vseh površin.

**Pozor:** pokrovi, ročaji, pladnji in ponve ne smejo ovirati vrtenja pršilnih rok.

V košarico za pribor lahko naložite katere koli manjše kose. Zelo umazane lonce in ponve položite v spodnjo košaro, saj so curki vode v tem delu močnejši, kar izboljša rezultat pomivanja. Ko v aparat zložite posodo, se prepričajte, da se pršilne roke neovirano vrtijo.

## NEUSTREZNA POSODA

- Lesena posoda in pribor.
- Občutljivi okrašeni kozarci, umetniška ročna dela in starinski pribor. Okras na teh predmetih ni dovolj obstojen.
- Predmeti iz sintetičnih materialov, ki niso odporni na visoke temperature.
- Bakrena in pločevinasta posoda.
- Posoda, umazana od pepela, voska, maziv ali črnila.

Barva steklenih okraskov in aluminijastih/srebrnih predmetov se lahko med pomivanjem spremeni in zbledi. Nekatere vrste stekla (npr. predmeti iz kristala) lahko po nekaj pomivanjih postanejo motne.

## POŠKODBE KOZARCEV IN POSODE

- Pomivajte le kozarce in porcelan, za katere proizvajalec jamči, da jih lahko pomivate v pomivalnem stroju.
- Uporabite blago pomivalno sredstvo, ki je primerno za posodo.
- Kozarce in posodo iz pomivalnega stroja vzemite takoj po koncu programa.

## NAMIGI ZA VARČEVANJE Z ENERGIJO

- Kadar gospodinjski pomivalni stroj uporabljate v skladu z navodili proizvajalca, **pomivanje posode v pomivalnem stroju običajno porabi manj ENERGIJE in vode kot ročno pomivanje posode.**
- Za povečanje učinkovitosti pomivalnega stroja priporočamo, **da pomivalni cikel zaženete, ko je pomivalni stroj popolnoma napolnjen.** Nalaganje gospodinjskega pomivalnega stroja do zmogljivosti, ki jo je navedel proizvajalec, pripomore k prihranku energije in vode. Informacije o pravilnem nalaganju posode najdete v poglavju **NALAGANJE KOŠAR**. V primeru polovičnega polnjenja priporočamo, da uporabite ustrezne možnosti pomivanja, če so na voljo (polovično polnjenje/Zone Wash/ Multizone), in naložite le izbrane košare. Nepravilno polnjenje ali preobremenitev pomivalnega stroja lahko poveča porabo virov (kot so voda, energija in čas, kot tudi raven hrupa), kar zmanjša učinkovitost pomivanja in sušenja.
- Ročno predpomivanje posode pomeni večjo porabo vode in energije in se zato ne priporoča.

## HIGIENA

Da preprečite nastanek neprijetnih vonjav ali nabiranje oblog v pomivalnem stroju, **vsaj enkrat na mesec zaženite program z visoko temperaturo.** Uporabite eno žličko pomivalnega sredstva in program zaženite brez posode, da tako očistite pomivalni stroj.

# SERVIS IN VZDRŽEVANJE

## ČIŠČENJE FILTRIRNEGA SKLOPA

Filtrirni sklop redno čistite, da se filtri ne zamašijo in da odpadna voda pravilno odteka.

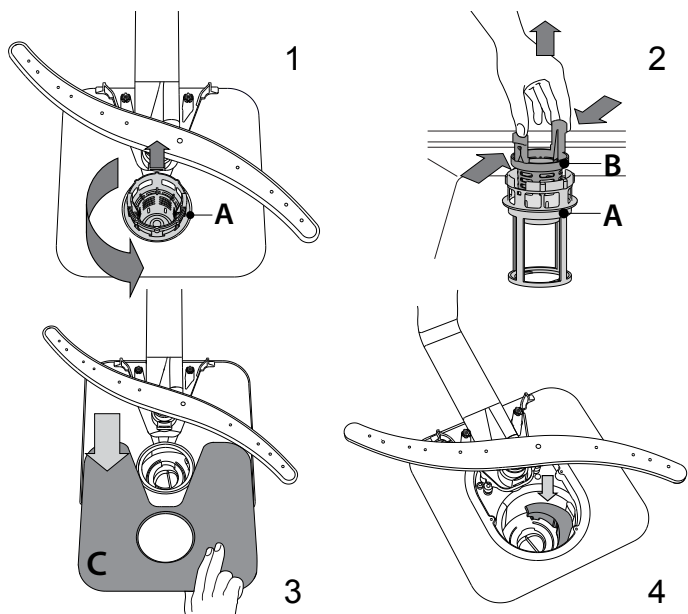
Uporaba pomivalnega stroja z zamašenimi filtri ali tujki znotraj filtracijskega sistema ali pršilnih rok lahko povzroči okvaro aparata, kar se kaže v izgubi učinkovitosti, hrupnem delovanju ali višjo porabo virov.

Filtrirni sklop je sestavljen iz treh filtrov, ki iz pomivalne vode odstranjujejo ostanke hrane in vodo ponovno usmerijo v aparat: za doseg najboljših rezultatov pri pomivanju morajo biti filtri čisti.

**Pomivalnega stroja ni dovoljeno uporabljati brez filtrov ali z nepripravljenimi filtri.**

Vsaj enkrat na mesec ali po vsakih 30 ciklih preverite sklop filtra in ga po potrebi temeljito očistite pod tekočo vodo in z nekovinsko krtačo, pri čemer upoštevajte spodnja navodila:

1. Cilindrični filter **A** zavrtite v nasprotni smeri urnega kazalca in ga izvlecite (Slika 1).
2. Odstranite mrežico filtra **B** tako, da nekoliko stisnete stranska jezička (Slika 2).
3. Izvlecite ploščo iz nerjavnega jekla za filter **C** (Slika 3).
4. V primeru, da najdete tujke (kot so razbito steklo, porcelan, kosti, sadna semena itd.), **jih previdno odstranite.**
5. Preglejte mrežico in iz nje odstranite ostanke hrane. **NIKOLI NE ODSTRANITE** zaščitne črpalke pri pomivanju (na sliki je počrnjena) (Slika 4).



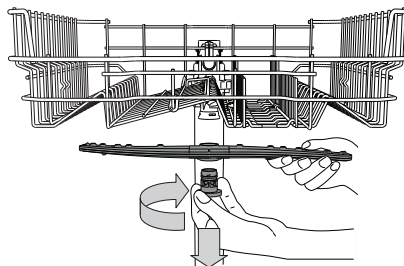
Ko ste očistili filtre, filtrirni sklop znova sestavite in ga pritrдите v pravi položaj. Ta postopek je ključnega pomena pri vzdrževanju brezhibnega delovanja pomivalnega stroja.

## ČIŠČENJE DOVODNE CEVI ZA VODO

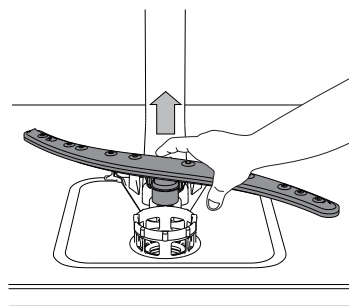
Če so vodovodne cevi nove ali pa jih dalj časa niste uporabljali, naj pred priključitvijo voda najprej nekaj časa teče. Tako se boste lahko prepričali, da je čista in da v njej ni nečistoč. Če tega ne storite, se lahko dovod vode zamaši, kar pripelje do poškodb pomivalnega stroja.

## ČIŠČENJE PRŠILNIH ROK

Občasno se lahko na pršilnih rokah naberejo ostanke hrane in zamašijo luknjice, iz katerih brizga voda. Zato priporočamo, da roke od časa do časa preverite in jih očistite z majhno nekovinsko krtačko.



Da odstranite zgornjo pršilno roko, zavrtite plastični pritrdilni obroč v smeri urnega kazalca. Zgornjo pršilno roko znova namestite tako, da je stran z več luknjicami obrnjena navzgor.



Spodnjo pršilno roko odstranite tako, da jo potegnete navzgor.

## SISTEM ZA MEHČANJE VODE

Sistem za mehčanje vode samodejno zmanjša trdoto vode, kar preprečuje kopičenje oblog na grelniku in prispeva k večji učinkovitosti pomivanja.

**Ta sistem se obnovi z regeneracijsko soljo, zato morate poskrbeti, da je posoda za sol napolnjena.**



Pogostost regeneracije je odvisna od nastavitve stopnje trdote vode – regeneracija poteka enkrat na 6 Eko ciklov, pri čemer je stopnja trdote vode nastavljena na 3.

Postopek regeneracije se začne s končnim izpiranjem in konča s fazo sušenja, preden se cikel konča.

- Posamezna regeneracija porabi: ~3,5 l vode;
- Cikel traja do 5 minut dlje;
- Porabi manj kot 0,005 kWh električne energije.

# ODPRAVLJANJE TEŽAV

V primeru, da vaš pomivalni stroj ne deluje pravilno, preverite, ali lahko težavo odpravite s spodnjimi nasveti. Za druge napake ali težave se obrnite na pooblaščen servisno službo. Kontaktne podatke najdete v garancijski knjižici. Nadomestni deli bodo na voljo za obdobje do 7 ali do 10 let, v skladu s posebnimi zahtevami uredbe.

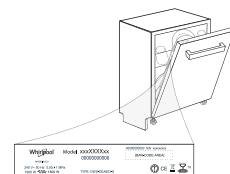
TEŽAVE	MOREBITNI VZROKI	REŠITVE
 Indikator soli sveti	Posoda za sol je prazna. (Ko sol dodate, lahko indikator soli sveti še več pomivalnih ciklov).	Napolnite posodo s soljo (za več informacij glejte stran 2). Prilagodite trdoto vode - glejte tabelo, stran 2.
 Indikator tekočine za lesk sveti	Posoda za tekočino za lesk je prazna. (Ko tekočino za lesk dodate, lahko indikator tekočine za lesk sveti še več pomivalnih ciklov).	Napolnite posodo s tekočino za lesk (za več informacij glejte stran 2).
Pomivalni stroj se ne zažene oz. se ne odziva na ukaze.	Aparat ni ustrezno priključen na električno omrežje.	Vtaknite vtič v vtičnico.
	Izpad električne energije	Iz varnostnih razlogov se pomivalni stroj ne bo samodejno ponovno zagnal, ko je napajanje znova vzpostavljeno. Odprite vrata pomivalnega stroja, pritisnite tipko ZAGON/Premor in v 4 sekundah zaprite vrata.
	Vrata pomivalnega stroja niso zaprta. Zatič NaturalDry ni uvlečen.	Na vrata močneje pritisnite, da zaslišite „klik“.
	Cikel se prekine, če so vrata odprta za več kot 4 sekunde.	Pritisnite ZAGON/Premor in zaprite vrata v 4 sekundah.
	Aparat se ne odziva na ukaze. Zaslون prikazuje: <b>9</b> ali <b>12</b> in LED-lučka za vklop/izklop hitro utripa	Izklopite aparat s pritiskom na tipko za <b>VKLOP/IZKLOP</b> , ga po približno eni minuti znova vklopite in znova zaženite program. Če težava ni odpravljena, aparat izklopite za 1 minuto in ga znova priključite.
Voda ne odteka iz pomivalnega stroja. Zaslون prikazuje: <b>3</b> in LED-lučka za vklop/izklop hitro utripa	Pomivanje se še ni zaključilo.	Počakajte, da se pomivanje zaključi.
	Odtočna cev je upognjena.	Preverite, da odtočna cev ni upognjena (glejte NAVODILA ZA NASTAVITEV).
	Odtočna cev v koritu je zamašena.	Očistite odtočno cev v koritu.
	Ostanki hrane so zamašili filter.	Očistite filter (glejte ČIŠČENJE FILTRIRNEGA SKLOPA).
Iz pomivalnega stroja se slišijo glasni zvoki.	Posode se dotikajo ena druge in povzročajo zvoke.	Pravilno naložite posodo (glejte NALAGANJE KOŠAR).
	Nastaja prekomerna količina pene.	Pomivalnega sredstva niste pravilno odmerili ali pa pomivalno sredstvo ni primerno za strojno pomivanje posode (glejte POLNJENJE PREKATA ZA POMIVALNO SREDSTVO). Znova zaženite trenutni program, tako da izklopite pomivalni stroj, ga spet vklopite, izberete nov program, pritisnete tipko ZAGON/Premor in zaprete vrata v roku 4 sekund. Ne dodajajte pomivalnega sredstva.
Posoda ni čista.	Posode niste pravilno razporedili.	Pravilno naložite posodo (glejte NALAGANJE KOŠAR).
	Pršilne roke se ne morejo prosto vrteti, saj jih ovira posoda.	Pravilno naložite posodo (glejte NALAGANJE KOŠAR).
	Program pomivanja ni dovolj močan.	Izberite primeren program pomivanja (glejte PROGRAMSKO TABELO).
	Nastaja prekomerna količina pene.	Pomivalnega sredstva niste pravilno odmerili ali pa pomivalno sredstvo ni primerno za strojno pomivanje posode (glejte POLNJENJE PREKATA ZA POMIVALNO SREDSTVO).
	Pokrovček posode za tekočino za lesk ni ustrezno zaprt.	Zaprite pokrovček posode za tekočino za lesk.
	Umazan ali zamašen filter	Očistite filtrirni sklop (glejte NEGA IN VZDRŽEVANJE).
	V aparatu ni soli.	Napolnite posodo s soljo (glejte POLNJENJE POSODE ZA SOL).
V pomivalni stroj ne doteka voda. Zaslون prikazuje: <b>H</b> , <b>6</b> in LED-lučka za vklop/izklop hitro utripa	Prazen dovod vode ali zaprta vodovodna pipa.	Prepričajte se, da v aparat doteka voda in da je vodovodna pipa odprta.
	Dovodna cev je upognjena.	Prepričajte se, da dovodna cev ni upognjena (glejte NAMESTITEV) ponastavite program pomivanja in stroj znova zaženite.
	Cedilo dovodne cevi za vodo je zamašeno; Očistite ga	Ko ste preverili in očistili cedilo, pomivalni stroj izklopite in vklopite ter zaženite nov program.
Pomivalni stroj predčasno zaključi cikel. Zaslون prikazuje: <b>15</b> in LED-lučka za vklop/izklop hitro utripa	Odtočna cev je postavljena prenizko ali odlivanje v domači kanalizacijski sistem.	Preverite, če je konec odtočne cevi nameščen na ustrezni višini (glejte NAMESTITEV). Preverite odlivanje v domači kanalizacijski sistem in po potrebi namestite ventil za vstop zraka.
	Zrak v dovodu vode	Preverite dovod vode ali druge težave, ki povzročajo puščanje zraka v notranjost.



Pravila uporabe, standardna dokumentacija, naročanje nadomestnih delov in dodatne informacije o izdelkih so na voljo:

- Z obiskom naših spletnih strani [docs.whirlpool.eu/docs](https://docs.whirlpool.eu/docs) in [parts-selfservice.europeanappliances.com](https://parts-selfservice.europeanappliances.com)
- Uporabite kodo QR
- **Obrnete se lahko tudi na našo servisno službo** (telefonske številke so navedene v servisni knjižici). Ko stopite v stik z našo servisno službo, navedite kode, ki so zapisane na identifikacijski ploščici izdelka.

Podatke o modelu je mogoče pridobiti s kodo QR na energijski nalepki. Na nalepki je prav tako identifikator modela, ki ga lahko uporabite za preverjanje podatkov na portalu za registracijo <https://eprel.ec.europa.eu>



**400011483000B**

12/2024 ks - Xerox Fabriano





# UPUTSTVO ZA SVAKODNEVNU UPOTREBU



**HVALA ŠTO STE KUPILI PROIZVOD KOMPANIJE WHIRLPOOL.** Kako biste dobili kompletniju podršku, molimo da registrujete Vaš uređaj na: [www.whirlpool.eu/register](http://www.whirlpool.eu/register).

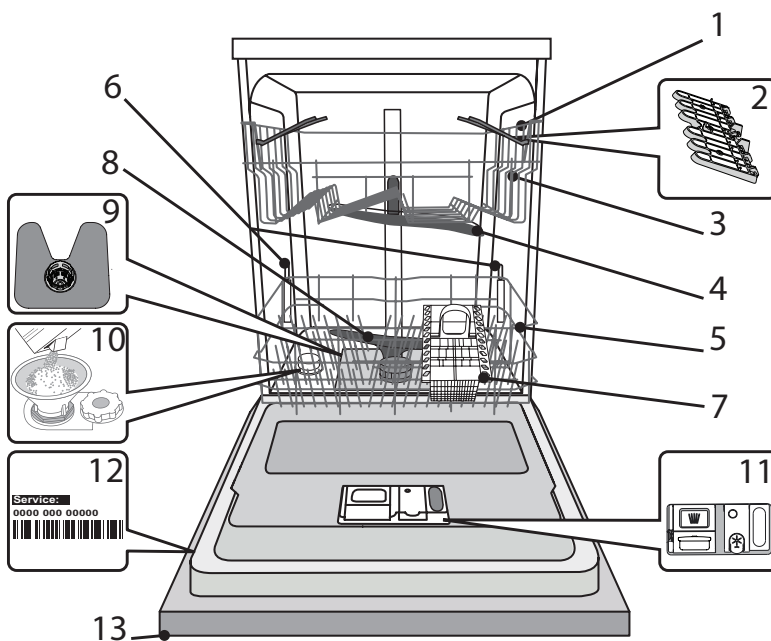


Bezbednosna Uputstva i Korisničko Uputstvo, možete preuzeti na našoj veb stranici [docs.whirlpool.eu/docs](http://docs.whirlpool.eu/docs) i tako što ćete slediti uputstva na poledini ove brošure.

**Pre korišćenja uređaja pažljivo pročitate Bezbednosna Uputstva.**

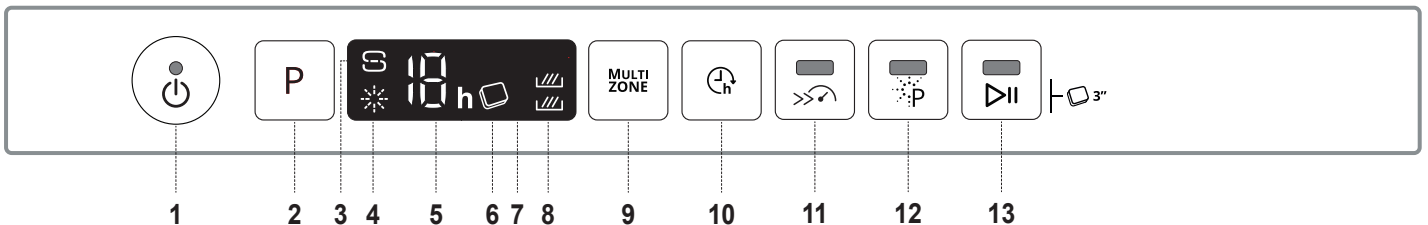
## OPIS PROIZVODA

### UREĐAJ



1. Gornja korpa
2. Sklopiva krilca
3. Podešivač visine gornje korpe
4. Gornja prskalica
5. Donja korpa
6. Potporni Power Clean
7. Korpa za pribor za jelo
8. Donja prskalica
9. Sklop filtera
10. Rezervoar za so
11. Posude za deterdžent i sredstvo za ispiranje
12. Natpisna pločica
13. Kontrolna tabla

### KONTROLNA TABLA



1. Dugme za uključivanje-isključivanje/ponovno podešavanje sa svetlosnim indikatorom
2. Dugme za biranje programa
3. Svetlosni indikator za dopunu soli
4. Svetlosni indikator za sredstvo za ispiranje
5. Broj programa in indikator zakasnitve
6. Svetlosni indikator za tabletu (Tab)
7. Ekran
8. Svetlosni indikator za „Multizone“
9. Dugme za „Multizone“
10. Dugme za Odlaganje
11. Dugme za „Turbo“ funkciju sa svetlosnim indikatorom
12. Dugme „Power Clean“ sa svetlosnim indikatorom
13. Dugme za Početak/Pauzu sa svetlosnim indikatorom / tableta (Tab)

# PRVA UPOTREBA

## SO, SREDSTVO ZA ISPIRANJE I DETERDŽENT

### SAVETI U VEZI SA PRVOM UPOTREBOM

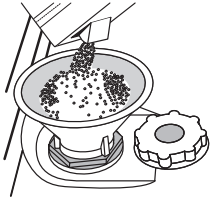
Nakon ugradnje, uklonite zapušače sa korpi i elastične elemente za za-  
državanje sa gornje korpe.

### PUNJENJE REZERVOARA ZA SO

Upotreba soli sprečava stvaranje KAMENCA na posudu i na funkcional-  
nim komponentama mašine.

- Obavezno je **DA REZERVOAR ZA SO NIKADA NE BUDE PRAZAN.**
- Važno je podesiti tvrdoću vode.

Rezervoar za so se nalazi u donjem delu mašine za pranje sudova (vi-  
deti OPIS PROIZVODA) i mora se puniti kada se uključi **INDIKATORSKO**  
**SVETLO DOPUNA SOLI** na kontrolnoj tabli.



1. Uklonite donju korpu i odvrnite poklopac re-  
zervoara (u smeru suprotnom od smeru kre-  
tanja kazaljki na satu).
2. **Samo prvi put kada ovo radite: napunite**  
**rezervoar za so vodom.**
3. Postavite levak (vidite sliku) i napunite re-  
zervoar za so do ivice (oko 1 kg); nije neu-  
običajeno da malo vode iscuri.
4. Uklonite levak i obrišite ostatke soli sa otvora.

Vodite računa da poklopac bude čvrsto zavijen, tako da deterdžent  
ne može da uđe u posudu tokom programa pranja (to može da ošteti  
omekšivač za vodu tako da se ne može popraviti).

**Kad god je potrebno da dodate so, obavezno je da obavite proce-  
duru pre početka ciklusa pranja da bi se izbegla korozija.**

### PODEŠAVANJE TVRDOĆE VODE

Da bi omešivač za vodu radio kako treba, neophodno je da tvrdoća  
vode bude podešena na osnovu stvarne tvrdoće vode u vašoj kući.  
Ove informacije možete dobiti od lokalnog snabdevača vodom.  
Vo výrobe je nastavená štandardná hodnota tvrdosti vody.

- Uključite uređaj pritiskom na dugme **UKLJUČI/ISKLJUČI.**
- Isključite uređaj pritiskom na dugme **UKLJUČI/ISKLJUČI.**
- Zadržite dugme **P** 5 sekundi, dok se ne začuje zvučni signal.
- Uključite uređaj pritiskom na dugme **UKLJUČI/ISKLJUČI.**
- Uključeni su i broj nivoa trenutnog biranja i svetlosni indikator za so.
- Pritisnite taster **P** za izbor željene tvrdoće vode (videti **TABELU**  
**TVRDOĆE VODE**).

Tabela tvrdoće vode				
	Nivo	°dH nemački stepeni	°fH francuski stepeni	°Clark engleski stepeni
1	Meka	0 - 6	0 - 10	0 - 7
2	Srednja	7 - 11	11 - 20	8 - 14
3	Prosečna	12 - 16	21 - 29	15 - 20
4	Tvrda	17 - 34	30 - 60	21 - 42
5	Veoma tvrda	35 - 50	61 - 90	43 - 62

- Isključite uređaj pritiskom na dugme **UKLJUČI/ISKLJUČI**

Podešavanje je završeno!

Čim se ovaj postupak završi, pokrenite program bez punjenja.

**Koristite samo so koja je posebno napravljena za mašine za pranje**  
**sudova.**

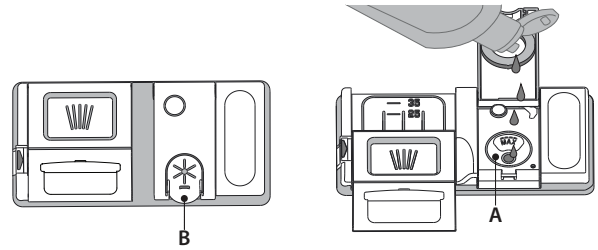
Nakon što sipate so u mašinu, svetlosni indikator za DOPUNA SOLI se  
isključuje.

**Ako rezervoar za so nije pun, može doći do oštećenja omešivača**  
**vode i grejača usled nagomilavanja kamenca.**

Korišćenje soli se preporučuje sa bilo kojom vrstom deterdženta za maši-  
nu za pranje sudova.

### PUNJENJE POSUDA ZA SREDSTVO ZA ISPIRANJE

Sredstvo za ispiranje olakšava SUŠENJE posuda. Posuda za sredstvo za  
ispiranje **A** treba da se napuni kada se upali **svetlosni indikator**  
**DOPUNA SREDSTVA ZA ISPIRANJE** na kontrolnoj tabli.



1. Otvorite posudu **B** tako što ćete pritisnuti i povući na gore jezičak na poklopcu.
2. Pažljivo sipajte sredstvo za ispiranje do oznake za maksimum (110  
ml) na prostoru za punjenje - izbegavajte prosipanje. Ako se to do-  
godi, odmah obrišite prosuto suvom krpom.
3. Pritisnite poklopac dok se ne začuje zvuk škljocanja.

**NIKADA ne sipajte sredstvo za ispiranje direktno u kadicu.**

### PODEŠAVANJE DOZIRANJA SREDSTVA ZA ISPIRANJE

Ako niste u potpunosti zadovoljni rezultatima sušenja, možete da po-  
desite količinu sredstva za ispiranje koja se koristi.

- Uključite mašinu za pranje sudova pomoću dugmeta **UKLJUČI/ISKLJUČI.**
- Isključite je pomoću dugmeta **UKLJUČI/ISKLJUČI.**
- Pritisnite dugme **P** tri puta - začuje se zvučni signal.
- Uključite je pomoću dugmeta **UKLJUČI/ISKLJUČI.**
- Broj trenutno izabranog nivoa i svetlosni indikator sredstva za ispiranje  
trepere.
- Pritisnite dugme **P** da biste izabrali nivo količine sredstva za ispiranje  
koje će se koristiti.
- Isključite pomoću dugmeta **UKLJUČI/ISKLJUČI.**

Podešavanje je završeno!

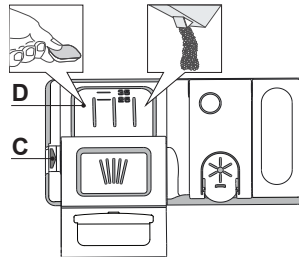
Ako je nivo sredstva za ispiranje podešen na NULU (EKO), sredstvo za  
ispiranje se neće koristiti. Svetlosni indikator NIZAK NIVO SREDSTVA ZA  
ISPIRANJE neće svetleti ako nestane sredstva za ispiranje.

Mogu se podesiti maksimalno 5 nivoa u zavisnosti od modela mašine za  
pranje sudova. Fabričko podešavanje zavisi od modela, sledite gorena-  
vedena uputstva da biste proverili za svoju mašinu.

- Ako vidite plavičaste tragove na posudu, podesite nizak broj (1-2).
- Ako na posudu ima kapljica vode ili tragova kamenca, podesite visok  
broj (3-4).

### PUNJENJE POSUDE ZA DETERDŽENT

**Za otvaranje posude za deterdžent koristite uređaj za otvaranje C.**  
**Deterdžent sipajte samo u suhu posudu D. Deterdžent za pretpran-**  
**je sipajte direktno u kadicu.**



1. Za odmeravanje deterdženta pogle-  
dajte prethodno pomenute informa-  
cije kako biste sipali odgovarajuću  
količinu. U posudi **D** nalaze se ozna-  
ke koje vam mogu pomoći u dozi-  
ranju deterdženta.
2. Uklonite ostatke deterdženta sa ivica  
posuda pre nego što i zatvorite poklo-  
pac dok se ne začuje zvuk škljocanja.
3. Zatvorite poklopac posude za deter-  
džent povlačenjem na gore dok uređaj  
za zatvaranje ne bude čvrsto na mestu.

Posuda za deterdžent se automatski otvara u odgovarajućem trenutku  
u skladu sa programom. Ako koristite deterdžente sve u jednom, pre-  
poručujemo da koristite dugme **TABLETA**, jer ono podešava program  
tako da se uvek postignu najbolji rezultati pranja i sušenja.

**Korišćenje deterdžente koji nije namenjen za mašine za pranje**  
**sudova može da izazove kvar ili oštećenje uređaja.**

# TABELA SA PROGRAMIMA

Program	Faza sušenja	NaturalDry	Dostupne opcije *)	Trajanje programa za pranje (h:min)**	Potrošnja vode (litri/ciklus)	Potrošnja energije (kWh/ciklus)
1. Eko ECO 50°	✓	✓		3:10	9,5	0,85
2. 6 <sup>th</sup> Sense 50-60°	✓	✓	MULTI ZONE	1:25 - 3:00	7,0 - 14,0	0,90 - 1,40
3. Intenzivan 65°	✓	✓	MULTI ZONE	2:50	14,0	1,50
4. Brzo pranje i sušenje 50°	✓	✓	MULTI ZONE	1:25	11,5	1,10
5. Kristal 45°	✓	✓	MULTI ZONE	1:40	11,5	1,20
6. Brzi program 30' 50°	-	-	MULTI ZONE	0:30	9,0	0,50
7. Tiho 50°	✓	✓		3:30	15,0	1,15
8. Pretpranje -	-	-	MULTI ZONE	0:12	4,5	0,01

Podaci programa EKO su mereni u laboratorijskim uslovima u skladu sa evropskim standardom EN 60436:2020.

Napomena za laboratorije za testiranje:

za informacije na uslove komparativnog ispitivanja EN, pogledajte adresa: [dw\\_test\\_support@europeanappliances.com](mailto:dw_test_support@europeanappliances.com)

Prethodno tretiranje posuđa nije potrebno ni za jedan program.

\*) Ne mogu se sve opcije koristiti istovremeno.

\*\*) Vrednosti koje su date za programe koji nisu Eko program su samo pokazne. Stvarno vreme može da varira u zavisnosti od mnogih faktora kao što su temperatura, količina deterdženta, količina i vrsta posuđa, balansiranje posuđa, dodatne izabrane opcije i kalibracija senzora. Kalibracija senzora može da poveća trajanje programa do 20 min.

## OPIS PROGRAMA

### Uputstva za biranje ciklusa pranja.

#### 1 EKO

Eko program je podesan za pranje umereno zaprljanog posuđa, i u tu svrhu je ovo najefikasniji program u pogledu kombinovane potrošnje energije i vode i da se koristi za procenu usklađenosti sa propisima EU za ekološki dizajn.

#### 2 6<sup>th</sup> SENSE

Za normalno zaprljano posuđe sa sasušanim ostacima hrane. Detektuje nivo zaprljanosti posuđa i prema tome prilagođava program. Kada senzor detektuje nivo zaprljanosti, na ekranu se prikazuje animacija, a trajanje ciklusa se ažurira.

#### 3 INTENZIVAN

Program preporučen za jako zaprljano posuđe, naročito za tiganje i šerpe (ne koristiti za osetljivo posuđe).

#### 4 BRZO PRANJE I SUŠENJE

Normalno zaprljano keramičko posuđe. Ciklus za svakodnevnu upotrebu, koji obezbeđuje optimalne performanse čišćenja i sušenja za kraće vreme.

#### 5 KRISTAL

Program za osetljivo posuđe, koje je osetljivije na visoke temperature, na primer čaše i šolje.

#### 6 BRZI PROGRAM 30'

Program za korišćenje sa polupunom mašinom ili sa blago zaprljanim posuđem bez sasušanih ostataka hrane. Nema faze sušenja.

#### 7 TIHO

Pogodno za korišćenje uređaja tokom noći. Obezbeđuje optimalne performanse čišćenja i sušenja sa najnižom emisijom buke.

#### 8 PRETPRANJE

Koristi se za osvežavanje keramičkog posuđa koje će se kasnije oprati. Za ovaj program se ne koristi deterdžent.

#### Napomene:

Imajte u vidu da je ciklus *Brzi program 30'* namenjen za blago zaprljano posuđe.

# OPCIJE I FUNKCIJE

OPCIJE se mogu direktno odabrati pritiskom na odgovarajuće dugme (videti KONTROLNU TABLU).

**Ako opcija ne odgovara izabranom programu videti TABELU SA PROGRAMIMA, odgovarajuće LED svetlo će brzo da zatreperi 3 puta i oglašice se zvučni signal. Opcija neće biti omogućena.**

## MULTI ZONE MULTIZONE

Ako nema puno posuđa za pranje, može se koristiti opcija za polupunu mašinu radi uštede vode, električne energije i deterdženta.

Izaberite program, a zatim pritisnite dugme MULTIZONE: na ekranu se pojavljuje simbol izabran korpe. Podrazumevano podešavanje je da uređaj pere posuđe u svim korpama.

Za pranje samo određene korpe, pritisnite ovo dugme nekoliko puta:



prikazano na ekranu (samo donju korpu)



prikazano na ekranu (samo gornju korpu)



prikazano na ekranu (opcija je ISKLJUČENA i uređaj će oprati posuđe u svim korpama).

**Vodite računa da napunite samo gornju ili donju korpu i da u skladu sa tim smanjite količinu deterdženta.**

**Ako je uklonjena gornja korpa, deterdžent sipajte direktno u kadicu umesto u posudu za deterdžent.**



## TABLETA (Tab)

Ova postavka vam omogućava da optimizujete performanse programa u zavisnosti od vrste deterdženta koji koristite. Dugme POČETAK/Pauzu držite pritisnuto 3 sekunde (odgovarajući simbol će zasvetleti) ukoliko koristite kombinovane deterdžente u obliku tablete (sredstvo za ispiranje, so i deterdžent u jednoj dozi).

**Ukoliko koristite deterdžent u prahu ili tečni deterdžent, ova opcija treba da bude isključena.**

## NaturalDry

*NaturalDry* je sistem konvekcionog sušenja koji automatski otvara vrata tokom/nakon faze sušenja i koji svakodnevno obezbeđuje izvanredne performanse sušenja. Vrata se otvaraju na temperaturi koja je bezbedna za vaš kuhinjski nameštaj, tako da se neće otvoriti kada je uključena opcija TURBO.

Radi dodatne zaštite od pare, mašini je dodata posebno dizajnirana zaštitna folija. Da biste videli kako da instalirate zaštitnu foliju, pogledajte (UPUTSTVO ZA INSTALACIJU).

Korisnik može da onemogući rad *NaturalDry* na sledeći način:

1. Idite na meni softvera mašine za sudove pritiskom na dugme „P” (6 sek.).
2. Prešli ste meni Kontrola *NaturalDry*, možete promeniti status rada *NaturalDry* pritiskom na dugme „P”:  
**E** – omogućeno **d** – onemogućeno

Da biste potvrdili promenu i izašli iz menija Kontrola, pritisnite i zadržite dugme „P” (3 sek.).



## ODLAGANJE

Početak programa se može odložiti za vremenski period između 1 i 12 sati.

1. Pritisnite dugme ODLAGANJE: odgovarajući simbol «h» se pojavljuje na ekranu; svaki put kada pritisnete dugme, vreme (1 sat, 2 sata itd. do maks. 12 sati) početka izabranog ciklusa pranja će se povećavati.
2. Izaberite program za pranje, pritisnite dugme POČETAK/Pauzu i u roku od 4 sekunde zatvorite vrata: tajmer će početi sa odbrojavanjem.
3. Kada ovo vreme istekne, svetlosni indikator «h» se isključuje i ciklus pranja počinje.

Da biste podesili vreme odlaganja i izabrali kraći period, pritisnite dugme ODLAGANJE. Da biste ga otkazali, pritisnite dugme nekoliko puta dok se svetlosni indikator odloženog početka «h» ne isključi.

**Funkcija ODLAGANJE se ne može podesiti kada program počne.**



## TURBO

Ova opcija se može koristiti za smanjenje trajanja glavnih programa uz održavanje istih nivoa pranja i sušenja.

Nakon što izaberete program, pritisnite dugme TURBO i svetlosni indikator će se uključiti. Pritisnite ovo dugme ponovo da biste poništili opciju.

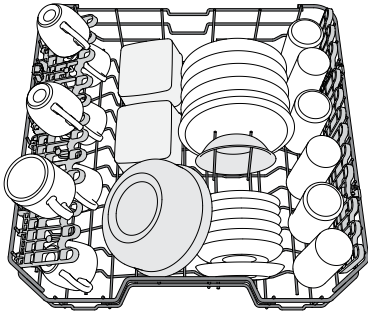


## POWER CLEAN®

Zahvaljujući dodatnoj snazi mlazova, ova opcija omogućava intenzivnije i jače pranje u donjoj korpi, u posebnoj oblasti. Ova opcija se preporučuje za pranje šerpi i posuda za pečenje. Pritisnite ovo dugme da biste aktivirali POWER CLEAN (indikator će zasvetleti).

# PUNJENJE KORPI

## GORNJA KORPA



(primer punjenja gornje korpe)

Stavite osetljivo i lako posuđe: čaše, šolje, tacne, plitke posude za salatu.

## PODEŠAVANJE VISINE GORNJE KORPE

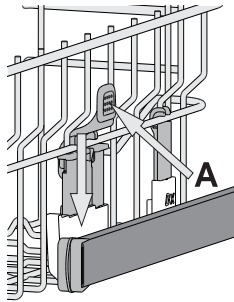
Visina gornje korpe se može podesiti: visoki položaj za postavljanje velikog posuđa u donju korpu i nizak položaj za maksimalno korišćenje držača koji se pomeraju, tako što se stvara više prostora na gore i izbegava sudaranje sa sudovima iz donje korpe.

Gornja korpa ima **Podešivač visine gornje korpe** (vidite sliku), bez pritiskanja ručica, jednostavno podignite držeći korpu sa strane, čim se korpa stabilno namesti u viši položaj.

Da biste vratili na niži položaj, pritisnite ručice **A** koje se nalaze na stranama korpe i pomerite korpu na dole.

**Preporučujemo da ne podešavate visinu korpe kada je napunjena.**

**NIKADA ne podižite niti spuštajte samo jednu stranu korpe.**

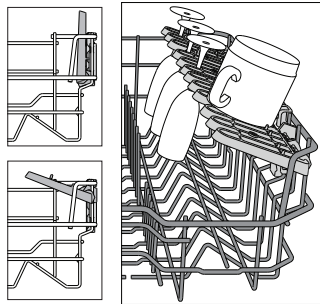


## SKLOPIVA KRILCA SA PODESIVIM POLOŽAJEM

Sklopiva krilca možete da sklopite ili rasklopite i tako pronađete najbolji raspored posuđa na rešetki. Čaše za vino se bezbedno mogu staviti u sklopiva krilca tako što se stopa svake čaše stavi u odgovarajući otvor.

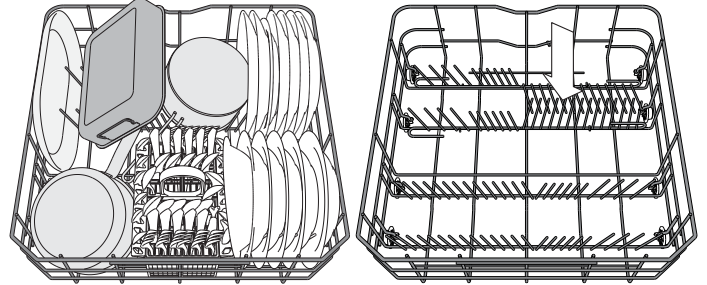
Zavisno od modela:

- da biste rasklopili krilca, treba da ih gurnete nagore i okrenete ili da ih odvojite od držača i spustite nadole.
- da biste sklopili krilca, treba da ih okrenete i gurnete nadole ili nagore, pa ih zakačite za držače.



## DONJA KORPA

Za šerpe, poklopce, tanjire, posude za salatu, pribor itd. Velike tanjire i poklopce treba stavljati sa strane, kako bi se izbeglo dodirivanje prskalica. Donja korpa ima držače koji se podižu i mogu se koristiti u vertikalnom položaju prilikom postavljanja tanjira ili u horizontalnom položaju (nižem) za lako postavljanje šerpi i posuda za salatu.



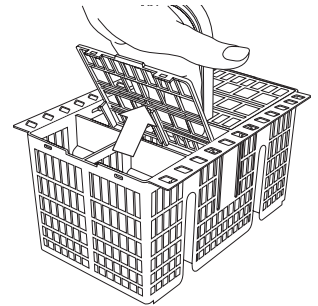
(primer punjenja donje korpe)

## KORPA ZA PRIBOR ZA JELO

Ima rešetke pri vrhu za bolje postavljanje pribora.

Mora se postaviti samo u prednjem delu donje korpe.

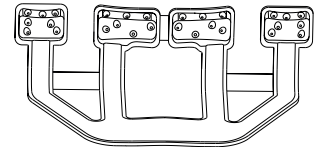
**Noževi i drugi pribor oštih ivica se mora postaviti u korpu za pribor sa vrhovima okrenutim na dole ili se staviti u horizontalan položaj u odeljak koji se pomera u gornjoj korpi.**



## POWER CLEAN u donjoj korpi

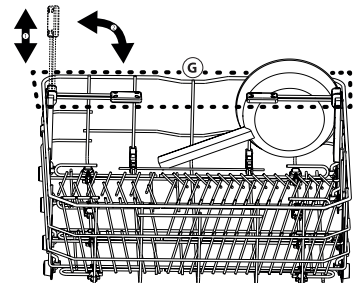
Power Clean® koristi posebne vodene mlaznice u unutrašnjem zadnjem delu za intenzivnije pranje veoma prljavih predmeta. Donja korpa ima prostornu zonu, poseban držač koji se može izvući i nalazi se u zadnjem delu korpe, a može se koristiti za tiganje ili plehove u uspravnom položaju, koji tako zauzimaju manje prostora.

Prilikom postavljanja šerpi/posuda za pečenje okrenutim prema komponenti Power Clean® aktivirajte **POWER CLEAN** na tabli.



Kako se koristi Power Clean®:

1. Podesite Power Clean® oblast (G) tako što ćete saviti zadnji držač za tanjire i postaviti šerpe.
2. Šerpe i posude za pečenje postavite tako da budu vertikalno nagnute u Power Clean® oblasti. Šerpe moraju da budu nagnute prema snažnim vodenim mlaznicama.



# SVAKODNEVNA UPOTREBA

## 1. PROVERITE PRIKLJUČAK NA VODOVODNU MREŽU

Proverite da li je mašina za pranje sudova povezana na dovod vode i da li je slavina otvorena.

## 2. UKLJUČITE MAŠINU ZA PRANJE SUDOVA

Otvorite vrata i pritisnite dugme **UKLJUČI/ISKLJUČI**.

## 3. NAPUNITE KORPE (videti PUNJENJE KORPI)

## 4. PUNJENJE POSUDE ZA DETERDŽENT

## 5. IZABERITE PROGRAM I PRILAGODITE CIKLUS

Izaberite najprikladniji program u skladu sa vrstom posuđa i nivoom zaprljanosti (videti **OPIS PROGRAMA**) pritiskom na dugme **P**. Izaberite željene opcije (videti **OPCIJE I FUNKCIJE**).

## 6. POČETAK

Započnite ciklus pranja pritiskom na dugme **POČETAK/Pauzu** (led svetlo je uključeno) i zatvaranjem vrata u roku od 4 sekunde. Kada program počne, začujete jedan zvučni signal. Ukoliko se vrata ne zatvore u roku od 4 sekunde, oglašava se alarm. U tom slučaju, otvorite vrata, pritisnite dugme **POČETAK/Pauzu**. (Početak/Pauzu) i ponovo zatvorite vrata u roku od 4 sekunde.

## 7. ZAVRŠETAK CIKLUSA PRANJA

Kraj ciklusa pranja je označen zvučnim signalom i treperenjem broja ciklusa pranja na displeju. Otvorite vrata i isključite uređaj pritiskom na dugme **UKLJUČI/ISKLJUČI**.

Sačekajte nekoliko minuta pre nego što izvadite posuđe - da biste izbegli opekotine. Ispraznite korpe, počevši sa donjom.

Mašina će se automatski isključiti tokom dužih perioda neaktivnosti, kako bi se smanjila potrošnja električne energije.

Ako je posuđe samo blago uprljano ili ako ga isperete vodom pre nego što ga stavite u mašinu za pranje sudova, u skladu s tim smanjite količinu deterdženta koji koristite.

## MENJANJE PROGRAMA KOJI JE U TOKU

Ako ste izabrali pogrešan program, možete da ga promenite, pod uslovom da je tek počeo: otvorite vrata, pritisnite i zadržite dugme **UKLJUČI/ISKLJUČI** mašina će se isključiti.

Ponovo uključite mašinu pomoću dugmeta **UKLJUČI/ISKLJUČI** i izaberite novi ciklus pranja i željene opcije; započnite ciklus pritiskom na dugme **POČETAK/Pauzu** i zatvaranjem vrata u roku od 4 sekunde.

## DODAVANJE DODATNOG POSUĐA

Ne isključujući mašinu, otvorite vrata (led svetlo dugmeta **POČETAK/Pauzu** počinje da treperi) (**pazite se VRELE pare!**) i stavite posuđe u mašinu. Pritisnite dugme **POČETAK/Pauzu** i zatvorite vrata u roku od 4 sekunde, ciklus će se nastaviti od trenutka u kom je zaustavljen.

## SLUČAJNI PREKIDI

Ako su vrata otvorena tokom ciklusa pranja ili ako dođe do prekida napajanja električnom energijom, ciklus se zaustavlja. Da biste nastavili ciklus tamo gde je prekinut, pritisnite dugme **POČETAK/Pauzu** i zatvorite vrata u roku od 4 sekunde.

# SAVETI I PREDLOZI

## SAVETI

Pre nego što napunite korpe, uklonite sve ostatke hrane sa posuđa i ispraznite čaše. **Nije potrebno da prethodno ispirate vodom.** Posuđe postavite tako da stoji čvrsto na mestu i da ne sklizne; posude postavite sa otvorima okrenutim na dole, a udubljene/ispupčene delove postavite koso, kako bi voda mogla da dopre do svih površina i da slobodno teče.

**Upozorenje:** poklopci, ručice, poslužavnici i tiganji ne sprečavaju rotiranje prskalica.

Svo malo posuđe stavite u korpu za pribor.

Veoma zaprljano posuđe i šerpe bi trebalo da stavite u donju korpu, jer su prskalice u ovom delu jače i pružaju bolje performanse pranja.

Nakon što napunite uređaj, vodite računa da prskalice mogu slobodno da se rotiraju.

## NEODGOVARAJUĆE POSUĐE

- Drveno posuđe i pribor.
- Osetljive ukrašene čaše, umetničke rukotvorine i antičko posuđe. Dekoracija na njima nije otporna.
- Delovi od sintetičkog materijala ne podnose visoke temperature.
- Posuđe od bakra i kalaja.
- Posuđe zaprljano pepelom, voskom, mašću za podmazivanje ili mastilom.

Boja dekoracije na staklu i komadima od aluminijuma/srebra može da se promeni i izbledi tokom procesa pranja. Neke vrste stakla (npr. kristalni predmeti) takođe mogu da se zamute nakon određenog broja ciklusa pranja.

## OŠTEĆENJE ČAŠA I POSUĐA

- Koristite samo čaše i porculansko posuđe za koje proizvođač garantuje da je bezbedno za mašinsko pranje.
- Koristite blag deterdžent za posuđe
- Sakupite čaše i posuđe iz mašine za pranje sudova čim se ciklus pranja završi.

## SAVETI ZA UŠTEDU ENERGIJE

- Kada se mašina za pranje sudova za domaćinstvo koristi u skladu sa uputstvima proizvođača, **pranje posuđa u mašini za pranje sudova uglavnom troši MANJE ENERGIJE i vode od ručnog pranja.**
- Da biste povećali efikasnost mašine za pranje sudova, **preporučuje se da ciklus pranja pokrenete kada se mašina za sudove u potpunosti napuni.** Punjenje mašine za pranje sudova za domaćinstvo do kapaciteta koji je naveo proizvođač će doprineti uštedi energije i vode. Informacije o pravilnom slaganju posuđa možete pronaći u poglavlju PUNJENJE KORPI. U slučaju delimične napunjenosti, preporučuje se da koristite odgovarajuće opcije za pranje, ako postoje (Half load/Zone Wash/Multizone (Polupuno/zonsko pranje/više zona)), popunjavajući samo izabrane korpe. Nepravilno punjenje ili prepunjavanje mašine za pranje sudova može da poveća potrošnju resursa (poput vode, energije i vremena, kao i da poveća nivo buke), smanjujući performanse čišćenja i sušenja.
- Ručno predspiranje komada posuđa dovodi do povećane potrošnje vode i energije i nije preporučljivo.

## HIGIJENA

Da bi se izbeglo stvaranje neprijatnih mirisa i naslaga u mašini za pranje sudova, **program sa visokom temperaturom pokrenite najmanje jednom mesečno.** Koristite jednu kafenu kašičicu deterdženta i pokrenite program bez postavljanja posuđa kako biste očistili uređaj.

# NEGA I ODRŽAVANJE

## ČIŠĆENJE SKLOPA FILTERA

Redovno čistite sklop filtera kako se filteri ne bi zapušili i kako bi otpadna voda pravilno oticala.

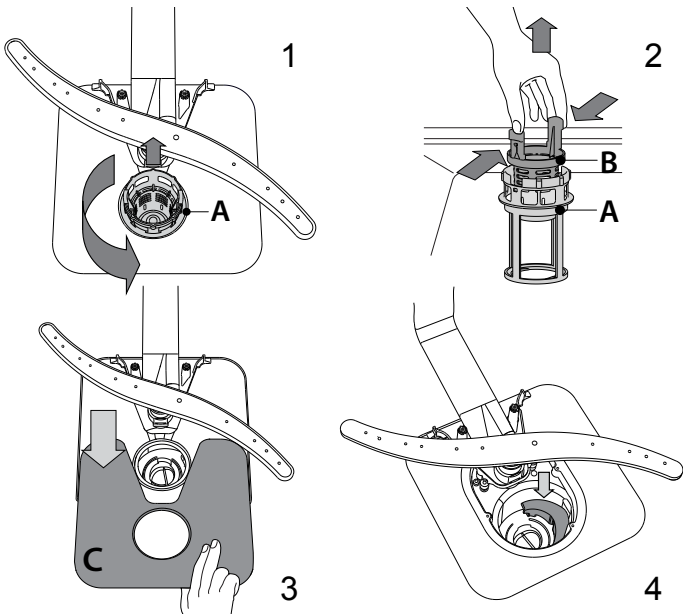
Korišćenje mašine za pranje sudova sa zapušanim filterima ili stranim predmetima unutar sistema za filtriranje ili prskalicama može dovesti do kvara uređaja i time gubitka performansi, glasnog rada ili veće potrošnje resursa.

Sklop filtera se sastoji od tri filtera koji uklanjaju ostatke hrane iz vode za pranje i omogućavaju recirkulaciju vode: kako bi se postigli najbolji rezultati pranja, filtere treba održavati čistim.

**Mašina za pranje sudova se ne sme koristiti bez filtera ili ako je filter labav.**

Barem jednom mesečno ili nakon svakih 30 ciklusa, proverite sklop filtera i ukoliko je potrebno detaljno ga očistite pod mlazom vode, pomoću četke koja nije metalna i sledeći uputstva navedena u nastavku:

1. Okrenite cilindrični filter **A** u smeru suprotnom od smera kretanja kazaljki na satu i izvucite ga (slika 1).
2. Uklonite kupasti filter **B** primenom blagog pritiska na bočna krilca (slika 2).
3. Izvucite pločasti filter od nerđajućeg čelika **C** (slika 3).
4. Ukoliko pronađete strane predmete (kao što je slomljeno staklo, porcelan, kosti, semenke voća itd.) pažljivo ih uklonite.
5. Proverite sklopku i uklonite sve ostatke hrane. **NIKADA NE UKLANJAJTE** zaštitu pumpe za ciklus pranja (crni deo) (slika 4).



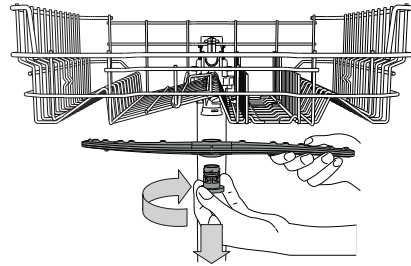
Nakon čišćenja filtera, ponovo postavite sklop filtera i pravilno ih pričvrstite na mesto; ovo je neophodno za efikasan rad mašine za pranje sudova.

## ČIŠĆENJE CREVA ZA DOVOD VODE

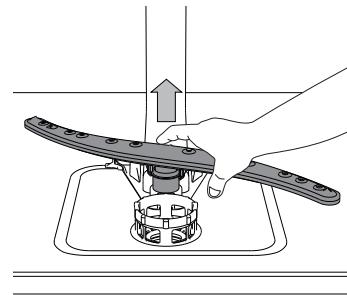
Ako su creva za vodu nova ili neko vreme nisu korišćena, pustite vodu kroz njih da biste bili sigurni da su čista i da bi se očistila od nečistoća pre nego što se povežu. Ako ne obavite ovu meru opreza, dovod vode se može blokirati i oštetiti mašinu za pranje sudova.

## ČIŠĆENJE PRSKALICA

Povremeno, ostaci hrane mogu da se skore na prskalicama i tako blokiraju otvore za prskanje vode. Stoga se preporučuje da povremeno proveravate prskalice i čistite ih malom četkom koja nije od metala.



Da biste uklonili gornju prskalicu, okrenite plastični prsten za zaključavanje u smeru kretanja kazaljki na satu. Gornja prskalica se ponovo postavlja tako da strana sa više otvora bude okrenuta na gore.



Donju prskalicu možete ukloniti tako što ćete je povući na gore.

## SISTEM ZA OMEKŠAVANJE VODE

Omekšivač vode automatski smanjuje tvrdoću vode i time sprečava nakupljanje kamenca na grejaču, čime takođe doprinosi efikasnijem čišćenju.

**Ovaj sistem sam sebe regeneriše pomoću soli, te je stoga obavezno da dopunite rezervoar za so kada je prazan.**



Intervali vykonávania regenerácie závisia od nastavenia tvrdosti vody – regenerácia sa vykonáva raz za 6 Eko cyklov, ak je tvrdosť vody nastavená na 3.

Proces regeneracije počinje sa poslednjim ispiranjem i završava se u fazi sušenja, pre završetka ciklusa.

- Jedna regeneracija troši: ~3,5 l vode;
- Produžava ciklus za još 5 minuta;
- Troši ispod 0,005 kWh energije

# OTKLANJANJE PROBLEMA

Ukoliko vaša mašina za pranje sudova ne radi pravilno, proverite da li je moguće rešiti problem pomoću sledeće liste. Za ostale greške ili probleme obratite se ovlašćenom postprodajnom servisu čije detalje za kontakt možete pronaći u garantnoj knjižici. Rezervni delovi su dostupni u periodu od 7 do 10 godina, u skladu sa posebnim zahtevima odredbe.

PROBLEMI	MOGUĆI UZROCI	REŠENJA
 Indikator za so je upaljen	Rezervoar za so je prazan. (Nakon dopune, indikator za so može da ostane upaljen još nekoliko ciklusa pranja).	Dopunite rezervoar solju (više informacija potražite na 2. strani). Prilagođavanje tvrdoće vode – pogledajte tabelu na 2. strani.
 Indikator sredstva za ispiranje je upaljen	Rezervoar za sredstvo za ispiranje je prazan. (Nakon dopune, indikator za sredstvo za ispiranje može da ostane upaljen još nekoliko ciklusa pranja).	Dopunite posudu sredstvom za ispiranje (više informacija potražite na 2. strani).
Mašina za pranje sudova neće da se pokrene ili ne reaguje na komande.	Uređaj nije pravilno uključen u strujno napajanje.	Umetnite utikač u utičnicu.
	Nema električne energije.	Iz bezbednosnih razloga, mašina za pranje sudova se neće automatski ponovo pokrenuti kada dođe do povraćaja električne energije. Otvorite vrata mašine za pranje sudova, pritisnite dugme POČETAK/PAUZU i zatvorite vrata u roku od 4 sekunde.
	Vrata mašine za pranje sudova nisu zatvorena. NaturalDry pin nije uvučen.	Snažno gurnite vrata dok se ne začuje zvuk „kliktanja“.
	Ciklus je prekinut otvaranjem vrata na > 4 sekunde.	Pritisnite dugme POČETAK/PAUZU i zatvorite vrata u roku od 4 sekunde.
Voda ne otiče iz mašine za pranje sudova. Ekran prikazuje: <b>3</b> i LED svetlo dugmeta Uključi/isključi brzo treperi	Ciklus pranja se još nije završio.	Sačekajte da se ciklus pranja završi.
	Crevo za odvod je savijeno.	Proverite da li je crevo za odvod savijeno ( <i>videti UPUTSTVA ZA UGRADNJU</i> ).
	Odvodna cev sudopere je blokirana.	Očistite odvodnu cev sudopere.
	Filter je zapušten ostacima hrane	Očistite filter ( <i>videti ČIŠĆENJE SKLOPA FILTERA</i> ).
Mašina za pranje sudova proizvodi neobičajnu buku.	Sudovi udaraju jedan o drugi.	Pravilno poređajte posuđe ( <i>videti PUNJENJE KORPI</i> ).
	Proizvodi se previše pene.	Deterđzent nije pravilno odmeren ili nije pogodan za korišćenje u mašini za pranje sudova ( <i>videti PUNJENJE POSUDE ZA DETERDŽENT</i> ). Ponovo pokrenite trenutni ciklus tako što ćete ISKLJUČITI mašinu za pranje posuđa, a zatim je ponovo uključiti, odabrati novi program, pritisnuti dugme POČETAK/PAUZU i zatvoriti vrata u roku od 4 sekunde. Nemojte dodavati deterđzent.
Posuđe nije čisto.	Posuđe nije pravilno postavljeno.	Pravilno poređajte posuđe ( <i>videti PUNJENJE KORPI</i> ).
	Prskalice ne mogu slobodno da se okreću, jer ih zaustavlja posuđe.	Pravilno poređajte posuđe ( <i>videti PUNJENJE KORPI</i> ).
	Ciklus pranja je previše blag.	Izaberite odgovarajući ciklus pranja ( <i>videti TABELU SA PROGRAMIMA</i> ).
	Proizvodi se previše pene.	Deterđzent nije pravilno odmeren ili nije pogodan za korišćenje u mašini za pranje sudova ( <i>videti PUNJENJE POSUDE ZA DETERDŽENT</i> ).
	Poklopac na odeljku za sredstvo za ispiranje nije pravilno zatvoren.	Vodite računa da poklopac posude za sredstvo za ispiranje bude zatvoren.
	Filter je zaprljan ili zapušten.	Očistite sklop filtera ( <i>videti ČUVANJE I ODRŽAVANJE</i> ).
Mašina za pranje sudova ne prima vodu. Ekran prikazuje: <b>H, 6</b> i LED svetlo dugmeta Uključi/isključi brzo treperi	Nema vode u sistemu za dovod vode ili je slavina zatvorena.	Vodite računa da ima vode u sistemu za dovod vode ili da je slavina odvrnuta.
	Crevo za dovod vode je savijeno.	Vodite računa da crevo za dovod ne bude savijeno ( <i>videti POSTAVLJANJE</i> ), ponovo podešite program i pokrenite mašinu za pranje sudova.
	Sito u crevu za dovod vode je zapušeno; neophodno je očistiti ga	Nakon što obavite proveru i čišćenje, isključite i uključite mašinu za pranje sudova i ponovo pokrenite novi program.
Mašina za pranje sudova prerano završava ciklus. Ekran prikazuje: <b>15</b> i LED svetlo dugmeta Uključi/isključi brzo treperi	Crevo za odvod je postavljeno prenisko ili odvod sifona ide u sistem kućne kanalizacije	Proverite da li je kraj creva za odvod postavljen na odgovarajućoj visini ( <i>videti POSTAVLJANJE</i> ). Proverite da li odvod sifona ide u sistem kućne kanalizacije, po potrebi ugradite ventil za dovod vazduha.
	Vazduh u dovodu vode.	Proverite da li dovod vode curi ili drugi problemi propuštaju vazduh unutra.

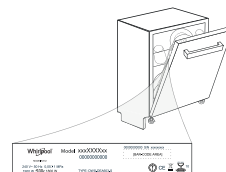


**Smernice, standardna dokumentacija, poručivanje rezervnih delova i dodatne informacije o proizvodima se mogu naći putem:**

- Našeg veb-sajta [docs.whirlpool.eu/docs](https://docs.whirlpool.eu/docs) i [parts-selfservice.europeanappliances.com](https://parts-selfservice.europeanappliances.com)
- ili pomoću QR koda
- Takođe, možete **kontaktirati naš postprodajni servis** (broj se nalazi u garantnoj knjižici). Prilikom kontaktiranja našeg postprodajnog servisa, navedite šifru koja se nalazi na pločici za identifikaciju proizvoda.

Informacije o modelu se mogu preuzeti pomoću QR koda navedenog na energetske oznaci.

Oznaka uključuje i identifikator modela koji može da se upotrebi za proveru registracije na portalu, na adresi <https://eprel.ec.europa.eu>



**40001148300B**

12/2024 ks - Xerox Fabriano

