

MWO 611

Gebrauchsanweisung

Instructions for use

Mode d'emploi

Gebruiksaanwijzing

Istruzioni per l'uso



Brugsanvisning

Bruksanvisning

Käyttöohje

Manual de utilização

Instrucciones para el uso



Οδηγίες χρήσης

Instrukcje użytkowania

Használati utasítás

Инструкция за употреба



Návod k použití

Návod na použitie

Instrucțiuni de utilizare

Инструкции по эксплуатации



ENGLISH	Instructions for use	Page 3
FRANÇAIS	Mode d'emploi	Page 12
صفحة 3	تعليمات الاستخدام	العربية

MICROWAVE OVEN OWNER' MANUAL

1. READ these instructions carefully before installing and operating the oven. Keep them for further reference.
2. Record in the space below the SERIAL NO. found on the nameplate on your oven and retain this information for future reference.

SERIAL NO:

PRECAUTIONS TO AVOID POSSIBLE EXPOSURE TO EXCESSIVE MICROWAVE ENERGY

1. Do not attempt to operate this oven with the door open since open door operation can result in harmful exposure to microwave energy. It is important not to defeat or tamper with the safety interlocks.
2. Do not place any object between the oven front face and the door or allow soil or cleaner residue to accumulate on sealing surfaces.
3. Do not operate the oven if it is damaged. It is particularly important that the oven door close properly and that there is no damage to the
 - a) Door (bent),
 - b) Hinges and latches (broken or loosened),
 - c) Door seals and sealing surfaces.
4. The oven should not be adjusted or repaired by anyone except properly qualified service personnel.

SPECIFICATIONS

Power Consumption:	220V / 60Hz, 1400W (Microwave) 1050W (Grill)
Rated Microwave Power Output:	900W
Operation Frequency:	2450MHz
Outside Dimensions:	300mm (H) × 539mm (W) × 420mm (D)
Oven Cavity Dimensions:	240mm (H) × 354mm (W) × 358mm (D)
Oven Capacity:	30Litres
Cooking Uniformity:	Turntable System
Net Weight:	Approx. 16.4kg

BEFORE YOU CALL FOR SERVICE

If the oven fails to operate:

1. Check to ensure that the oven is plugged in securely. If it is not, remove the plug from the outlet, wait 10 seconds, and plug it in again securely.
2. Check for a blown circuit fuse or a tripped main circuit breaker. If these seem to be operating properly, test the outlet with another appliance.
3. Check to ensure that the control panel is programmed correctly and the timer is set.
4. Check to ensure that the door is securely closed engaging the door safety lock system. Otherwise, the microwave energy will not flow into the oven.

IF NONE OF THE ABOVE RECTIFIES THE SITUATION, THEN CONTACT A QUALIFIED TECHNICIAN. DO NOT TRY TO ADJUST OR REPAIR THE OVEN YOURSELF.

INSTALLATION

1. Make sure that all the packing materials are removed from the inside of the door.
2. **WARNING:** Check the oven for any damage, such as misaligned or bent door, damaged door seals and sealing surface, broken or loose door hinges and latches and dents inside the cavity or on the door. If there is any damage, do not operate the oven and contact qualified service personnel.
3. This microwave oven must be placed on a flat, stable surface to hold its weight and the heaviest food likely to be cooked in the oven.
4. Do not place the oven where heat, moisture, or high humidity are generated, or near combustible materials.
5. For correct operation, the oven must have sufficient airflow. Allow 20cm of space above the oven, 10cm at back and 5cm at both sides. Do not cover or block any openings on the appliance. Do not remove feet.
6. Do not operate the oven without glass tray, roller support, and shaft in their proper positions.
7. Make sure that the power supply cord is undamaged and does not run under the oven or over any hot or sharp surface.
8. The socket must be readily accessible so that it can be easily unplugged in an emergency.
9. Do not use the oven outdoors.

GROUNDING INSTRUCTIONS

This appliance must be grounded. This oven is equipped with a cord having a grounding wire with a grounding plug. It must be plugged into a wall receptacle that is properly installed and grounded. In the event of an electrical short circuit, grounding reduces risk of electric shock by providing an escape wire for the electric current. It is recommended that a separate circuit serving only the oven be provided. Using a high voltage is dangerous and may result in a fire or other accident causing oven damage.



WARNING:

Improper use of the grounding plug can result in a risk of electric shock.

Note

1. If you have any questions about the grounding or electrical instructions, consult a qualified electrician or service person.
2. Neither the manufacturer nor the dealer can accept any liability for damage to the oven or personal injury resulting from failure to observe the electrical connection procedures.

The wires in this cable main are colored in accordance with the following code:

Green and Yellow = EARTH

Blue = NEUTRAL

Brown = LIVE

RADIO INTERFERENCE

Operation of the microwave oven can cause interference to your radio, TV, or similar equipment.

When there is interference, it may be reduced or eliminated by taking the following measures:

1. *Clean door and sealing surface of the oven.*
2. Reorient the receiving antenna of radio or television.
3. Relocate the microwave oven with respect to the receiver.
4. Move the microwave oven away from the receiver.
5. Plug the microwave oven into a different outlet so that microwave oven and receiver are on different branch circuits.

IMPORTANT SAFETY INSTRUCTIONS

When using electrical appliance basic safety precautions should be followed, including the following:



WARNING:

To reduce the risk of burns, electric shock, fire, injury to persons or exposure to excessive microwave energy

1. Read all instructions before using the appliance.
2. Use this appliance only for its intended use as described in this manual. Do not use corrosive chemicals or vapors in this appliance. This type of oven is specifically designed to heat, cook or dry food. It is not designed for industrial or laboratory use.
3. Do not operate the oven when empty.
4. Do not operate this appliance if it has a damaged cord or plug, if it is not working properly or if it has been damaged or dropped. If the supply cord is damaged, it must be replaced by the manufacturer or its service agent or a similarly qualified person in order to avoid a hazard.
5. **WARNING:** Only allow children to use the oven without supervision when adequate instructions have been given so that the child is able to use the oven in a safe way and understands the hazards of improper use.

6. **WARNING:** When the appliance is operated in the combination mode, children should only use the oven under adult supervision due to the temperatures generated.
7. To reduce the risk of fire in the oven cavity:
 - a. When heating food in plastic or paper container, keep an eye on the oven due to the possibility of ignition.
 - b. Remove wire twist-ties from paper or plastic bags before placing bag in oven.
 - c. If smoke is observed, switch off or unplug the appliance and keep the door closed in order to stifle any flames.
 - d. Do not use the cavity for storage purposes. Do not leave paper products, cooking utensils or food in the cavity when not in use.
8. **WARNING:** Liquid or other food must not be heated in sealed containers since they are liable to explode.
9. Microwave heating of beverage can result in delayed eruptive boiling, therefore care has to be taken when handle the container.
10. Do not fry food in the oven. Hot oil can damage oven parts and utensils and even result in skin burns.
11. Eggs in their shell and whole hard-boiled eggs should not be heated in microwave ovens since they may explode even after microwave heating has ended.
12. Pierce foods with heavy skins such as potatoes, whole squashes, apples and chestnuts before cooking.
13. The contents of feeding bottles and baby jars should be stirred or shaken and the temperature should be checked before serving in order to avoid burns.
14. Cooking utensils may become hot because of heat transferred from the heated food. Potholders may be needed to handle the utensil.
15. Utensils should be checked to ensure that they are suitable for use in microwave oven.
16. **WARNING:** It is hazardous for anyone other than a trained person to carry out any service or repair operation which involves the removal of any cover which gives protection against exposure to microwave energy.
17. This product is a Group 2 Class B ISM equipment. The definition of Group 2 which contains all ISM (Industrial, Scientific and Medical) equipment in which radio-frequency energy is intentionally generated and/or used in the form of electromagnetic radiation for the treatment of material, and spark erosion equipment. For Class B equipment is equipment suitable for use in domestic establishments and in establishments directly connected to a low voltage power supply network which supplies buildings used for domestic purpose.
18. This appliance is not intended for use by persons (including children) with reduced physical, sensory or mental capabilities, or lack of experience and knowledge, unless they have been given supervision or instruction concerning use of the appliance by a person responsible for their safety.
19. Children should be supervised to ensure that they do not play with the appliance.

MICROWAVE COOKING PRINCIPLES

1. Arrange food carefully. Place thickest areas towards outside of dish.
2. Watch cooking time. Cook for the shortest amount of time indicated and add more as needed. Food severely overcooked can smoke or ignite.
3. Cover foods while cooking. Covers prevent spattering and help foods to cook evenly.
4. Turn foods over once during microwaving to speed cooking of such foods as chicken and hamburgers. Large items like roasts must be turned over at least once.
5. Rearrange foods such as meatballs halfway through cooking both from top to bottom and from the center of the dish to the outside.

UTENSILS GUIDE

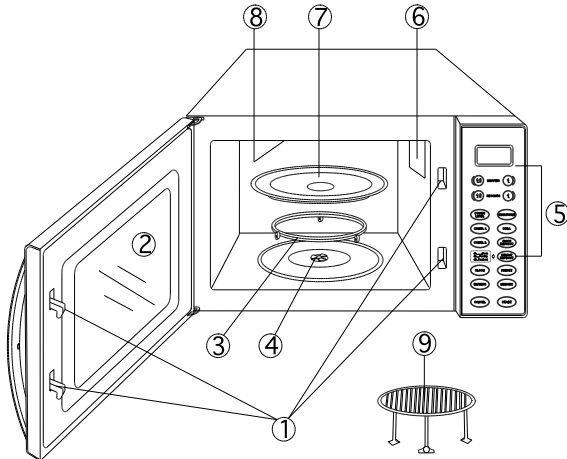
1. The ideal material for a microwave utensil is transparent to microwave, it allows energy to pass through the container and heat the food.
2. Microwave can not penetrate metal, so metal utensils or dishes with metallic trim should not be used.
3. Do not use recycled paper products when microwave cooking, as they may contain small metal fragments which may cause sparks and/or fires.
4. Round/oval dishes rather than square/oblong ones are recommend, as food in corners tends to overcook.
5. Narrow strips of aluminum foil may be used to prevent overcooking of exposed areas. But be careful don't use too much and keep a distance of 1 inch (2.54cm) between foil and cavity.

The list below is a general guide to help you select the correct utensils.

COOKWARE	MICROWAVE	GRILL	COMBINATION
Heat-Resistant Glass	Yes	Yes	Yes
Non Heat-Resistant Glass	No	No	No
Heat-Resistant Ceramics	Yes	Yes	Yes
Microwave-Safe Plastic Dish	Yes	No	No
Kitchen Paper	Yes	No	No
Metal Tray	No	Yes	No
Metal Rack	No	Yes	No
Aluminum Foil & Foil Containers	No	Yes	No

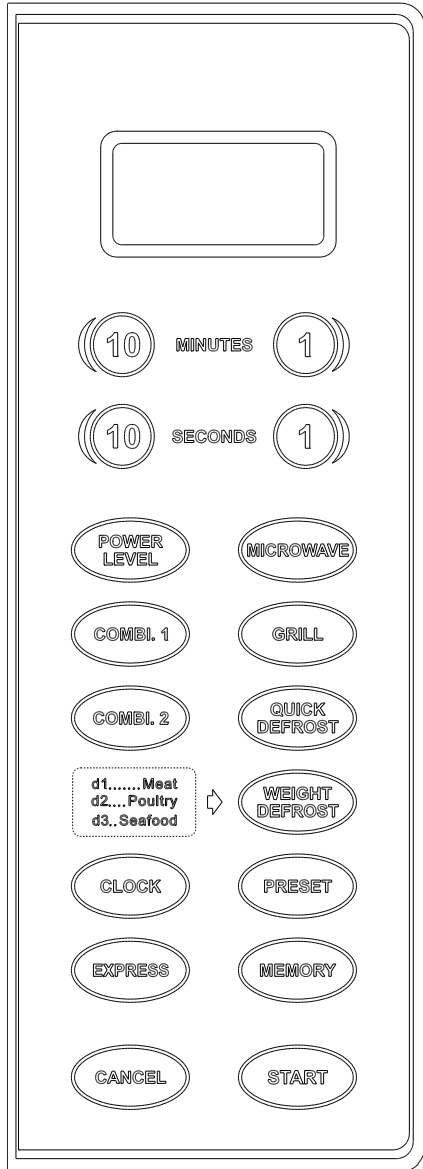
PART NAMES

1. Door Safety Lock System
2. Oven Window
3. Roller ring
4. Shaft
5. Control Panel
6. Oven Air Vent
7. Glass Tray
8. Grill Heater
9. Metal Rack



CONTROL PANEL

- MENU ACTION SCREEN**
 Cooking time, power, action indicators, and clock time are displayed.
- QUICK MINUTE BUTTONS**
 Touch to set clock, cooking time, enter food weight.
- MICROWAVE**
 Touch this button to set a microwave cooking program.
- GRILL**
 Press it to set a grill cooking program
- COMBI. 1 & 2**
 Touch this button when you want to set a combination cooking session.
- WEIGHT DEFROST**
 Automatically sets proper defrosting cycle once you have entered the weight of the food to be thawed.
- QUICK DEFROST**
 Customize defrosting time for food outside the categories or exceeding the max. allowable weight by weight defrost.
- EXPRESS**
 To start the oven quickly at full microwave power, you can press this button a number of times to indicate cooking time.
- POWER LEVEL**
 Press this button a number of times to set cooking power level.
- PRESET**
 Delay start control allows you to put food into the oven and program it to start cooking at a later time.
- MEMORY**
 Use this button to set a multistage cooking program.
- CLOCK**
 Use to set the time of day or recall the time of day. The time of day will be displayed at all times except when the oven is operating. In the event of a power failure or if the oven is unplugged, the clock will have to be reset.
- CANCEL**
 Touch to clear the current setting or reset the system.
- START**
 Touch to start a cooking program.



HOW TO SET THE OVEN CONTROLS

Each time a button is touched, a beep will sound to acknowledge the touch.

SETTING THE CLOCK

To enter the oven clock time, ex. 6: 00 (A.M or P.M).

1. Touch CLOCK button.
2. Touch CANCEL button.
3. Touch I-MIN. button 6 times.
4. Touch CLOCK button again to confirm.

This is a 12-hour clock. Default setting is 1:01 when the oven is plugged in.

You can check the clock time when cooking is in progress by touching the CLOCK button.

MICROWAVE COOKING

Suppose you want to cook for 5 minutes at 60% of microwave power.

1. Touch MICROWAVE button.
2. Touch I-MIN. button five times.
3. Touch POWER LEVEL button 3 times.
4. Touch START button.

Step 3 is not necessary if you are to cook at 100% power level.

POWER LEVEL BUTTON

By pressing the button a number of times, you are selecting different microwave power levels as the following table shows.

Press	Screen display	Power Level
Once	P10	100% of total
Twice	P8	80%
Thrice	P6	60%
4 times	P4	40%
5 times	P2	20%
6 times	P0	0%

GRILL COOKING

Grill cooking is particularly useful for thin slices of meat, steaks, chops, kebabs, sausages or pieces of chicken. It is also suitable for hot sandwiches and au grain dishes.

Suppose you want to grill for 40 minutes.

1. Touch GRILL button.
2. Touch 10-MIN. button 4 times.
3. Touch START button.

COMBINATION COOKING

COMBINATION 1

30% time for microwave cooking.

70% time for grill cooking.

Use for fish, potatoes, or au gratin.

COMBINATION 2

55% time for microwave cooking.

45% time for grill cooking.

Useful for cooking pudding omelets, baked potatoes, and poultry.

Suppose you want to set the oven to COMBINATION 2 For 25 Minutes.

1. Touch COMBI. 2 button.
2. Touch 10-MIN. button 2 times and I-MIN. button 5 times.
3. Touch START button.

MULTI-STAGE COOKING

The oven can be programmed to do several consecutive functions.

The following steps are needed if we are going to set a cooking program which involves QUICK DEFROST, microwave, and grill.

1. Touch CANCEL button to reset the system.
2. Input quick defrost program.
3. Touch MEMORY button.
4. Input microwave-cooking program.
5. Touch MEMORY button.
6. Input grill-cooking program.
7. Touch START button.

NOTE

Logically, QUICK DEFROST or WEIGHT DEFROST must proceed any cooking function in a multistage cooking program.

The respective lights will come on to indicate which stage the oven is operating in. After total time has elapsed, 3 beep sound.

PRE-SET COOKING

You can put food in the oven, and program the oven to start up in a later time within the oven's clock cycle (12 hours).

Suppose you want to set the oven to start-up at 2 o'clock.

1. Place food in the oven
2. Touch PRESET button.
3. Touch I-MIN. button twice.
4. Set a cooking program.
5. Touch START button.

EXPRESS COOKING

With express cooking, you touch the EXPRESS button a number of times to state cooking time and the oven will work at full power level.

Touch Once	15 seconds
Touch Twice	30 seconds
Touch 3 Times	1 minute
Touch 4 Times	2 minutes

Suppose you want to set the oven to microwave for 1 minute at 100% power level.

1. Touch the EXPRESS button 3 times, "1:00" will appear in the display.
2. Touch START button.

WEIGHT DEFROST

Automatically sets proper defrosting cycle once you have entered the weight of the food to be thawed Maximum allowable weight for each category is shown below.

FOOD CATEGORY	MAXIMUM WEIGHT	DISPLAY
Meat	2300g	d1
Poultry	4000g	d2
Seafood	900g	d3

Suppose you want to defrost 600g shrimp.

1. Touch WEIGHT DEFROST button 3 times. "d3" will appear in the display.
2. Touch 1-MIN. button 6 times.
3. Touch START button.

NOTE:

NUMBER PADS

10 MINUTES = 1000g 1 MINUTES = 100g
10 SECONDS = 10g 1 SECONDES = 1g

You may need to turn food over at the middle of cooking time to obtain uniform cooking.

The oven will not start if you happen to enter weight in excess of the maximum recommended. For food exceeding these maximum weights, use the QUICK DEFROST program.

To serve as a reminder, after a cooking or defrosting function has completed, the oven makes beeps every two minutes until the door is opened or the CANCEL button is touched.

QUICK DEFROST

With QUICK DEFROST, you need to input defrosting time,

Suppose you want to set the oven to QUICK DEFROST for 5 minutes and 30 seconds.

1. Touch QUICK DEFROST button.
2. Touch 1-min. button 5 times and 10-sec. button 3 times.
3. Touch START button.

SETTING TIMER

To set the minute timer, do the following,

1. Touch MICROWAVE button.
2. Use number buttons to input needed time.
3. Touch POWER LEVEL button 6 times and the display will show "0".
4. Touch START button.

NOTE:

This additional feature is used for timing things done outside the oven. Three beeps will sound at the end of the elapsed time. The oven light and cooling fan will turn on while the time is counting down, but there is no microwave present.

SAFETY LOCK

use to prevent unsupervised operation of the oven by little children. The CHILD LOCK indicator will show up on display screen, and the oven can not be operated while the CHILD LOCK is set.

1. To set the CHILD LOCK: Press and hold the CANCEL button for 3 seconds, a beep sounds and LOCK indicator lights.
2. To cancel the CHILD LOCK: Press and hold the CANCEL button for 3 seconds until lock indicator on display goes off.

NOTE:

You can not operate the oven while the child lock is set.

TO STOP THE OVEN DURING OPERATION

Open the door.

You can restart the oven by closing the door and touching START button.

NOTE:

Oven stops operating the moment when door is opened.

CLEANING AND CARE

1. Turn off the oven and remove the power plug from the wall socket before cleaning.
2. Keep the inside of the oven clean. When food splatters or spilled liquids adhere to oven walls, wipe with a damp cloth. Mild detergent may be used if the oven gets very dirty. Avoid the use of spray and other harsh cleaners as they may stain, streak or dull the door surface.
3. The outside surfaces should be cleaned with a damp cloth. To prevent damage to the operating parts inside the oven, water should not be allowed to seep into the ventilation openings.
4. Wipe the door and window on both sides, the door seals and adjacent parts frequently with a damp cloth to remove any spills or splatters. Do not use abrasive cleaner.
5. Do not allow the control panel to become wet. Clean with a soft, damp cloth. When cleaning the control panel, leave oven door open to prevent oven from accidentally turning on.
6. If steam accumulates inside or around the outside of the oven door, wipe with a soft cloth. This may occur when the microwave oven is operated under high humidity condition. And it is normal.
7. It is occasionally necessary to remove the glass tray for cleaning. Wash the tray in warm sudsy water or in a dishwasher.
8. The roller ring and oven floor should be cleaned regularly to avoid excessive noise. Simply wipe the bottom surface of the oven with mild detergent. The roller ring may be washed in mild sudsy water or dishwasher. When removing the roller ring from cavity floor for cleaning, be sure to replace in the proper position.
9. Remove odors from your oven by combining a cup of water with the juice and skin of one lemon in a deep microwaveable bowl, microwave for 5 minutes. Wipe thoroughly and dry with a soft cloth.
10. When it becomes necessary to replace the oven light, please consult a dealer to have it replaced.
11. The oven should be cleaned regularly and any food deposits removed. Failure to maintain the oven in a clean condition could lead to deterioration of the surface that could adversely affect the life of the appliance and possibly result in a hazardous situation.
12. Please do not dispose this appliance into the domestic rubbish bin, it should be disposed to the particular disposal center provided by the municipalities.

MODE D'EMPLOI DU FOUR MICRO-ONDES

1. Veuillez lire attentivement les instructions contenues dans la présente notice avant d'installer et d'utiliser votre appareil pour la première fois. Conservez-la pour toute consultation ultérieure.
2. Inscrivez dans l'espace ci-dessous le N° de série figurant sur la plaque signalétique du four et conservez cette information, car elle pourra s'avérer utile en cas de panne.

N° DE SÉRIE :

PRÉCAUTIONS DESTINÉES À ÉVITER TOUTE SUREXPOSITION AUX MICRO-ONDES

1. Ne faites jamais fonctionner votre four avec la porte ouverte : l'énergie des micro-ondes pourraient provoquer des brûlures ! Il est important de ne pas endommager le système de verrouillage.
2. Ne placez aucun objet entre l'avant du four et la porte et ne laissez aucun résidu d'aliment ou de produit nettoyant s'accumuler sur les surfaces assurant l'étanchéité.
3. N'utilisez pas le four s'il est endommagé. Il est particulièrement important que la porte du four ferme parfaitement et que les éléments suivants ne soient pas endommagés :
 - a) la porte (pliée),
 - b) les charnières et les loquets (cassés ou mal ajustés),
 - c) les joints de la porte et les surfaces d'étanchéité.
4. Ne confiez cet appareil pour réglage ou réparation qu'à un technicien qualifié du Service Après-vente.

CARACTÉRISTIQUES

Consommation énergétique	220 V / 60 Hz, 1400 W (Micro-ondes) Gril + 350 W
Puissance nominale des micro-ondes :	900 W
Fréquence de fonctionnement :	2450 MHz
Dimensions hors-tout	300 mm (H) × 539 mm (L) × 420 mm(P)
Dimensions de la cavité du four :	240 mm (H) × 354 mm (L) × 358mm (P)
Capacité du four :	30 litres
Uniformité de cuisson :	Système à plateau tournant
Poids net :	Environ 16,4 kg

AVANT D'APPELER LE SERVICE APRÈS-VENTE

Si le four ne fonctionne pas :

1. Vérifiez si le four est branché correctement et de manière sûre. Si tel n'est pas le cas, retirez la fiche de la prise, attendez 10 minutes, puis rebranchez le four correctement.
2. Vérifiez le fusible ou le coupe-circuit de votre installation domestique. Si le fusible n'est pas grillé et si le disjoncteur n'a pas déclenché, vérifiez le bon fonctionnement de la prise en y branchant un autre appareil.
3. Vérifiez que vous avez programmé correctement le bandeau de commande et réglé le minuteur en fonction de la programmation.
4. Vérifiez que la porte est fermée à fond en enclenchant le dispositif de verrouillage. Si tel n'est pas le cas, les micro-ondes ne se diffuseront pas dans la cavité du four.

SI, APRÈS AVOIR EFECTUÉ CES CONTRÔLES, L'ANOMALIE PERSISTE, FAITES APPEL À UN TECHNICIEN QUALIFIÉ. NE TENTEZ JAMAIS DE RÉGLER OU DE RÉPARER LE FOUR PAR VOUS-MÊME.

INSTALLATION

1. Vérifiez que vous avez retiré tous les matériaux d'emballage de la face intérieure de la porte du four.
2. **AVERTISSEMENT** : Vérifiez que : la porte du four ne présente aucun défaut d'alignement et n'est pas pliée, que les joints de porte et les surfaces d'étanchéité sont intacts, que les charnières et les cliquets à verrouillage ne sont pas cassés ou desserrés, tant dans la cavité et que sur la porte du four. Si vous constatez un défaut quelconque, n'actionnez PAS votre four et faites appel à un technicien du Service Après-vente.
3. Cet appareil doit être installé sur une surface plane et stable, en mesure de supporter son poids et celui de l'aliment le plus lourd qu'il est possible de cuire dans le four.
4. Évitez d'installer le four à proximité d'une source de chaleur, dans un endroit particulièrement humide, ou encore à proximité de matériaux combustibles.
5. Afin de garantir le bon fonctionnement de l'appareil, veillez à assurer une ventilation suffisante de la pièce où le four est installé. Laissez un espace de 20 cm au-dessus de l'appareil, 10 cm à l'arrière et 5 cm de part et d'autre du four. Évitez d'obstruer les ouvertures de ventilation de l'appareil. Ne démontez pas les pieds.
6. Ne faites fonctionner le four qu'après avoir installé le plateau tournant en verre, le support du rouleau et la tige dans leurs positions respectives.
7. Vérifiez que le cordon d'alimentation n'est pas abîmé, qu'il n'est pas coincé sous le four ou posé sur une surface chaude ou coupante.
8. Il faut que vous puissiez accéder librement à la prise, afin de pouvoir débrancher le four facilement en cas d'urgence.
9. N'utilisez pas le four en extérieur.

INSTRUCTIONS RELATIVES À LA MISE À LA TERRE

Cet appareil doit être relié à la terre. Cet appareil est muni d'un cordon d'alimentation pourvu d'un conducteur et d'une fiche de mise à la terre. La fiche doit être insérée dans une prise murale appropriée, installée et reliée à la terre conformément aux codes et règlements en vigueur dans le pays d'installation. En cas de court-circuit éventuel, la mise à la terre permettra de réduire le risque d'électrocution en fournissant une voie d'évacuation du courant électrique. Il est conseillé d'alimenter le four via un circuit séparé. L'utilisation d'une tension trop élevée peut s'avérer dangereuse et déclencher un début d'incendie ou tout autre accident susceptible d'endommager le four.



AVERTISSEMENT

Toute utilisation abusive de la fiche de mise à la terre peut comporter un risque d'électrocution.

Remarque

1. Si vous souhaitez obtenir des éclaircissements à propos de la mise à la terre ou des instructions de branchement, veuillez consulter un électricien qualifié.
2. Le fabricant et le revendeur déclinent toute responsabilité en cas de dommages corporels ou matériels résultant du non-respect des instructions sur la marche à suivre en matière de branchements électriques.

Les câbles de branchement au secteur sont colorés suivant les codes suivants :

Vert et jaune = TERRE

Bleu = NEUTRE

Marron = SOUS TENSION

INTERFÉRENCES RADIO

Le four micro-ondes peut causer des interférences nuisibles à la réception de la radio, du téléviseur et d'autres appareils similaires.

Ces interférences peuvent être supprimées ou réduites en appliquant les mesures correctrices suivantes :

1. Nettoyez la porte et la surface d'étanchéité du four.
2. Réorientez l'antenne de réception de la radio ou du téléviseur de manière à obtenir un bon signal.
3. Repositionnez le four par rapport à l'antenne de réception.
4. Éloignez le four de l'antenne de réception.
5. Insérez la fiche du four dans une prise séparée de façon à alimenter le micro-ondes et le récepteur par des circuits différents.

CONSIGNES DE SÉCURITÉ IMPORTANTES

Lors de l'utilisation de tout appareil électrique, il est important d'observer les précautions essentielles énoncées ci-après :



AVERTISSEMENT

Afin de réduire les risques de brûlures, d'électrocution, d'incendie et de blessures corporelles ou d'exposition excessive aux micro-ondes :

1. Lisez attentivement TOUTES les instructions avant d'utiliser l'appareil.
2. Utilisez cet appareil uniquement pour l'usage auquel il est destiné, comme décrit dans ce manuel. N'utilisez pas de produits chimiques ou de vapeurs corrosifs dans cet appareil. Ce type de four a été spécialement conçu pour réchauffer ou cuire des aliments. Il n'est pas prévu pour un usage industriel ou de laboratoire.
3. Ne faites jamais fonctionner le four à vide.
4. N'utilisez en aucun cas cet appareil si le cordon d'alimentation ou la prise de courant est endommagé, si l'appareil ne fonctionne pas correctement ou s'il a été endommagé ou est tombé. Si le cordon d'alimentation est abîmé, faites-le remplacer par le fabricant ou par un représentant du Service Après-vente, ou par toute autre personne qualifiée afin d'éviter tout danger.

5. **AVERTISSEMENT** : Ne laissez les enfants utiliser le four sans surveillance qu'après leur avoir fourni toutes les instructions adéquates sur le mode de fonctionnement du four et après les avoir mis en garde contre les risques dérivant d'une utilisation impropre de l'appareil.
6. **AVERTISSEMENT** : Si le four peut fonctionner en mode combiné, les enfants ne doivent l'utiliser que sous la surveillance d'un adulte en raison des hautes températures engendrées.
7. Pour réduire le risque d'incendie dans la cavité :
 - a. Lorsque vous réchauffez des aliments dans un récipient en plastique ou en papier, surveillez constamment le four car ces matériaux peuvent s'enflammer.
 - b. Enlevez les fermetures métalliques des sachets en papier ou en plastique avant de les placer dans le four.
 - c. En cas de fumée, éteignez ou débranchez l'appareil et n'ouvrez pas la porte afin d'éteindre les flammes éventuelles.
 - d. N'utilisez pas la cavité du four à des fins de rangement. Ne laissez pas des objets en papier, des ustensiles de cuisson ou des aliments dans le four lorsque l'appareil n'est pas en service.
8. **AVERTISSEMENT** : Les liquides ou d'autres aliments ne doivent pas être réchauffés dans des récipients hermétiques, car ceux-ci pourraient exploser.
9. Lors du chauffage de liquides, il se peut que le point d'ébullition avec production de bulles soit retardé ; soyez dès lors très prudent au moment de saisir et de retirer le récipient du four.
10. Ne faites pas frire des aliments dans le four. L'huile chaude peut endommager des éléments du four, voire même les ustensiles de cuisson, et provoquer des brûlures.
11. N'utilisez pas le four micro-ondes pour cuire ou réchauffer des œufs entiers ou des œufs durs, car ils peuvent exploser même si la cuisson est terminée.
12. Percez la peau épaisse d'aliments tels que pommes de terre, courges, pommes, châtaignes, etc. en plusieurs endroits à l'aide d'une fourchette avant de les faire cuire.
13. Le contenu des biberons et des petits pots pour bébé doit être remué ou secoué et la température contrôlée avant la consommation pour éviter des brûlures.
14. Les ustensiles de cuisson peuvent devenir chauds suite au transfert de chaleur à partir de l'aliment chauffé. Munissez-vous de maniques avant de retirer les plats du four.
15. Vérifiez que les ustensiles de cuisson sont adaptés pour la cuisson au micro-ondes.
16. **AVERTISSEMENT** : Il est dangereux pour quiconque n'est pas un technicien spécialisé d'assurer le service après-vente ou d'effectuer des opérations impliquant le démontage des panneaux de protection contre l'exposition à l'énergie des micro-ondes.
17. Ce produit est un appareil ISM du groupe 2 de classe b. Dans le groupe 2 sont compris tous les appareils ISM (à usage industriel, scientifique et médical) dans lesquels une énergie à fréquence radio est produite de façon intentionnelle et/ou utilisée sous la forme de radiations électromagnétiques pour le traitement de matériau, ainsi que les appareils dont les pièces sont usinées par électroérosion. Les appareils de la classe B sont conçus pour être utilisés dans un environnement domestique et dans des établissements directement reliés à un réseau d'alimentation basse tension alimentant des locaux à usage domestique.
18. Les personnes (y compris les enfants) qui, en raison de leurs capacités physiques, sensorielles ou mentales, de leur inexpérience ou de leur méconnaissance, ne sont pas en mesure d'utiliser l'appareil en toute sécurité, doivent se servir de celui-ci uniquement sous la surveillance ou avec les instructions d'une personne responsable.
19. Les enfants doivent être surveillés pour s'assurer qu'ils ne jouent pas avec l'appareil.

PRINCIPES À OBSERVER LORS DE LA CUISSON AU MICRO-ONDES

1. Disposer les aliments correctement. Orientez la partie la plus épaisse des aliments vers l'extérieur du plat.
2. Observer la durée de cuisson. Programmez le temps le plus court indiqué dans le tableau ; prolongez éventuellement la cuisson, si nécessaire. En sélectionnant un temps de cuisson trop long, il se peut que vous constatiez un dégagement de fumée ou que les aliments brûlent.
3. Couvrir les aliments durant la cuisson. Couvrez les aliments pendant la cuisson ; vous obtiendrez ainsi une cuisson homogène et éviterez les éclaboussures dans l'enceinte de cuisson.
4. Retournez les aliments (poulet, hamburgers, ...) une fois pendant la durée sélectionnée pour accélérer le processus de cuisson. Les gros rôtis doivent être retournés au moins une fois pendant la cuisson.
5. À mi-cuisson, redispensez les aliments, tels que boulettes de viande, en inversant leur position (placez celles qui sont en bas vers le haut, au centre vers l'extérieur et vice versa).

GUIDE DES USTENSILES DE CUISSON

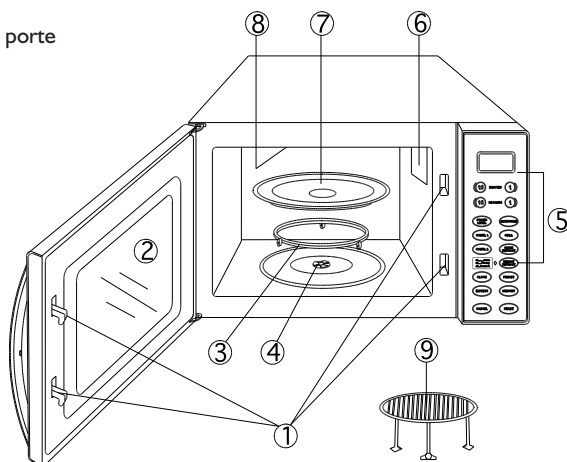
1. Le matériau des ustensiles de cuisson doit être perméable aux micro-ondes, afin de permettre à l'énergie des micro-ondes de passer à travers le récipient et de chauffer les aliments.
2. Les micro-ondes ne pénètrent pas le métal, c'est pourquoi il convient de ne pas utiliser des récipients en métal ou avec garnitures métalliques.
3. N'utilisez pas de produits fabriqués à partir de papier recyclé : ils peuvent contenir des impuretés et engendrer des étincelles et / ou s'enflammer quand ils sont utilisés pour la cuisson.
4. Utilisez de préférence des plats ronds/ovales plutôt que carrés/oblongs, car les aliements tendent à cuire trop dans les angles.
5. Des bandes d'aluminium peuvent être utilisées pour éviter de trop cuire les zones les plus exposées. Veillez toutefois à ne pas en utiliser une trop grande quantité et à respecter une distance de 2,54 cm entre la feuille et la cavité du four.

Le tableau ci-dessus vous aidera à choisir l'ustensile le mieux adapté au type de cuisson.

USTENSILE DE CUISSON	MICRO-ONDES	GRIL	CUISSON COMBINÉE
Verre résistant aux températures élevées	Oui	Oui	Oui
Verre non résistant aux températures élevées	Non	Non	Non
Céramique résistant aux températures élevées	Oui	Oui	Oui
Récipients en plastique spécial micro-ondes	Oui	Non	Non
Papier four	Oui	Non	Non
Plateau en métal	Non	Oui	Non
Grille en métal	Non	Oui	Non
Papier aluminium et récipients en aluminium	Non	Oui	Non

DESCRIPTION DU FOUR

1. Dispositif de verrouillage de porte
2. Vitre de four
3. Bague de roulement
4. Tige
5. Bande de commande
6. Prise d'air
7. Plateau en verre
8. Résistance du gril
9. Grille métallique



BANDEAU DE COMMANDE

- **AFFICHAGE DU MENU**

La durée de cuisson, la puissance, les voyants et l'heure du jour sont affichés.

- **TOUCHES DES MINUTES/SECONDES**

Pour régler l'horloge et la durée de cuisson, et saisir le poids de l'aliment.

- **MICROWAVE**

Cette touche permet de régler un programme de cuisson aux micro-ondes.

- **GRILL**

Appuyez sur cette touche pour programmer une cuisson au gril.

- **COMBI. 1 & 2**

Cette touche permet de programmer une session de cuisson combinée.

- **WEIGHT DEFROST**

Le cycle de décongélation adéquat est automatiquement réglé dès que vous avez entré le poids de l'aliment à décongeler.

- **QUICK DEFROST**

Temps de décongélation sur mesure pour les aliments ne rentrant pas dans les catégories énoncées ou dont le poids est supérieure au poids maximum admis pour la fonction "Décongélation par poids".

- **EXPRESS**

Cette fonction permet de démarrer le four à la puissance maximale des micro-ondes. Appuyez sur cette touche (à plusieurs reprises) pour afficher le temps de cuisson.

- **POWER LEVEL**

Appuyez (à plusieurs reprises) sur cette touche pour régler le niveau de puissance des micro-ondes.

- **PRESET**

La fonction Départ différé vous permet de placer les aliments dans le four et de programmer leur cuisson à un moment ultérieur.

- **MEMORY**

Utilisez cette touche pour régler un programme de cuisson en plusieurs étapes.

- **CLOCK**

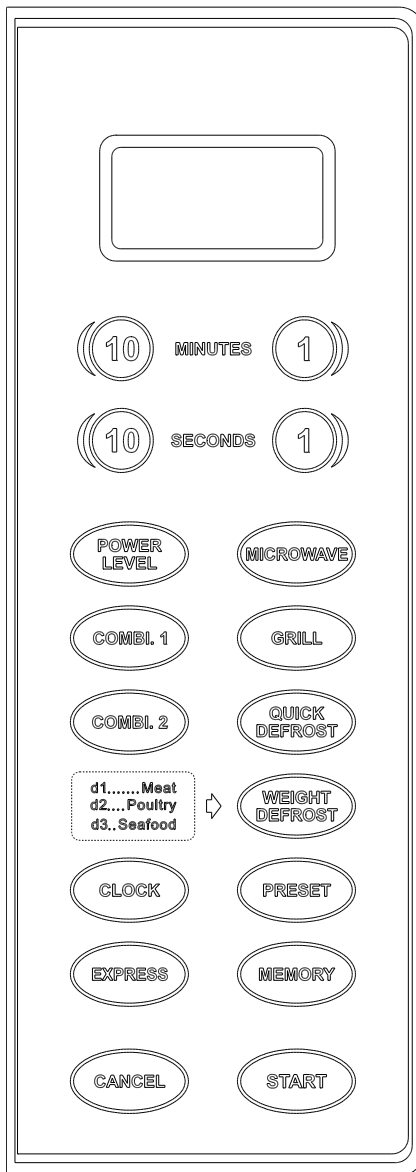
Utilisez cette touche pour régler l'heure du jour ou la rappeler à l'affichage. L'heure du jour reste constamment affichée, sauf quand le four est en service. En cas de coupure de courant ou si vous débranchez le four, il sera nécessaire de régler à nouveau l'heure du jour.

- **CANCEL**

Cette touche vous permet d'annuler le réglage actuel ou de réinitialiser le système.

- **START**

Appuyez sur cette touche pour démarrer un programme de cuisson.



COMMENT RÉGLER LES COMMANDES DU FOUR

Un bip est émis chaque fois que vous actionnez une touche.

RÉGLAGE DE L'HEURE

Pour saisir l'heure du jour, par ex. 6: 00 (6h ou 18h).

1. Appuyez sur la touche CLOCK.
2. Appuyez sur la touche CANCEL.
3. Appuyez sur la touche I-MIN. à 6 reprises.
4. Appuyez à nouveau sur la touche CLOCK pour valider votre sélection.

L'horloge compte 12 heures. Dès que le four est branché, le réglage par défaut est 1:01.

Si le four est en service et que vous souhaitez connaître l'heure, appuyez sur la touche CLOCK.

CUISSON MICRO-ONDES

Supposons que vous souhaitez cuire des aliments pendant 5 minutes à une puissance des micro-ondes de 60 %.

1. Appuyez sur la touche MICROWAVE.
2. Appuyez sur la touche I-MIN. à cinq reprises.
3. Appuyez sur la touche POWER LEVEL à 3 reprises.
4. Appuyez sur la touche START.

L'étape 3 est superflue si vous souhaitez cuire les aliments avec une puissance des micro-ondes de 100%.

TOUCHE DU NIVEAU DE PUISSANCE

Chaque pression de la touche POWER LEVEL vous permet de sélectionner le niveau de puissance des micro-ondes souhaité, comme l'indique le tableau ci-dessous.

Appuyer	Affichage	Niveau de puissance
Une fois	P10	100% of total
Deux fois	P8	80%
Trois fois	P6	60%
Quatre fois	P4	40%
Cinq fois	P2	20%
Six fois	P0	0%

CUISSON AU GRIL

La cuisson au gril est particulièrement indiquée pour cuire de fines tranches de viande, des steaks, des côtelettes, des brochettes, des saucisses ou des morceaux de poulet. Elle convient également pour les toasts et les gratins.

Supposons que vous souhaitiez cuire des aliments au gril pendant 40 minutes.

1. Appuyez sur la touche GRILL.
2. Appuyez sur la touche I0-MIN. à 4 reprises..
3. Appuyez sur la touche START.

CUISSON COMBINÉE

COMBINATION 1

30 % du temps de cuisson avec les micro-ondes.

70 % du temps de cuisson au gril.

Sélectionnez cette fonction pour cuire du poisson, des pommes de terre ou un gratin.

COMBINATION 2

55 % du temps de cuisson avec les micro-ondes.

45 % du temps de cuisson au gril.

Sélectionnez cette fonction pour cuire des puddings, des omelettes, des pommes de terre au four et de la volaille.

Supposons que vous souhaitiez utiliser la fonction COMBINATION 2 pendant 25 minutes.

1. Appuyez sur la touche COMBI. 2.
2. Appuyez sur la touche I0-MIN. à 2 reprises, puis sur la touche I-MIN. à 5 reprises.
3. Appuyez sur la touche START.

CUISSON MULTI-ÉTAPE

Il est possible de programmer le four pour qu'il exécute plusieurs fonctions de manière consécutive.

Si vous souhaitez régler un programme de cuisson qui inclue les fonctions QUICK DEFROST, MICROWAVE et GRILL, il convient de procéder comme suit :

1. Appuyez sur la touche CANCEL pour réinitialiser le système.
2. Sélectionnez la fonction QUICK DEFROST.
3. Appuyez sur la touche MEMORY.
4. Sélectionnez la fonction MICROWAVE.
5. Appuyez sur la touche MEMORY.
6. Sélectionnez la fonction GRILL.
7. Appuyez sur la touche START.

REMARQUE

Logiquement, QUICK DEFROST ou WEIGHT DEFROST doivent procéder à n'importe quelle fonction de cuisson si un programme de cuisson en plusieurs étapes a été sélectionné.

Chaque phase de déroulement du programme sera indiquée par l'allumage du voyant respectif. Dès que le temps complet est écoulé, un bip retentit.

CUISSON AVEC DÉPART DIFFÉRÉ

Il vous est possible de placer les aliments dans le four et de programmer leur cuisson à un moment ultérieur compris dans le cycle de l'horloge du four, à savoir 12 heures.

Supposons que vous souhaitiez démarrer la cuisson à 14 heures.

1. Placez l'aliment dans le four.
2. Appuyez sur la touche PRESET.
3. Appuyez sur la touche I-MIN. à deux reprises.
4. Programmez un cycle de cuisson.
5. Appuyez sur la touche START.

CUISSON EXPRESS

Avec cette fonction, vous appuyez un certain nombre de fois sur la touche EXPRESS pour définir la durée de cuisson, puis le four démarre à la puissance maximale.

Une pression	15 secondes
Deux pressions	30 secondes
Trois pressions	1 minute
Quatre pressions	2 minutes

Supposons que vous souhaitiez utiliser la fonction micro-ondes pendant 1 minute au niveau de puissance 100 %.

1. Appuyez 3 fois sur la touche EXPRESS, "1:00" s'affiche.
2. Appuyez sur la touche START.

DÉCONGÉLATION PAR POIDS

Le cycle de décongélation adéquat est automatiquement réglé dès que vous avez entré le poids de l'aliment à décongeler. Les poids maximums admis par catégorie d'aliment sont indiqués ci-après.

CATÉGORIE D'ALIMENT	POIDS MAX.	AFFICHAGE
Viande	2300g	d1
Volaille	4000g	d2
Poisson	900g	d3

Supposons que vous souhaitiez décongeler 600 g de crevettes.

1. Appuyez 3 fois sur la touche WEIGHT DEFROST. "d3" s'affiche.
2. Appuyez sur la touche I-MIN. à 6 reprises.
3. Appuyez sur la touche START.

REMARQUE :

BLOCS DE NOMBRES

10 MINUTES = 1000 g 1 MINUTE = 100 g

10 SECONDES = 10 g 1 SECONDE = 1 g

Il peut s'avérer nécessaire de retourner l'aliment à mi-cuisson pour obtenir une cuisson homogène.

Le four ne démarrera pas si vous entrez un poids excédant le poids maximum conseillé.

Pour les aliments dont le poids dépasse le poids maximum admis, utilisez le programme QUICK DEFROST.

Dès qu'une fonction de cuisson ou de décongélation est terminée, le four émet des bips toutes les deux minutes jusqu'à ce que vous ouvriez la porte ou appuyiez sur la touche CANCEL.

DÉCONGÉLATION RAPIDE

Avec la fonction QUICK DEFROST, vous devez entrer une durée de décongélation.

Supposons que vous souhaitiez régler la fonction QUICK DEFROST pendant 5 minutes et 30 secondes.

1. Appuyez sur la touche QUICK DEFROST.
2. Appuyez sur la touche 1-min. à 5 reprises et sur la touche 10-sec. à 3 reprises.
3. Appuyez sur la touche START.

RÉGLAGE DU MINUTEUR

Pour régler le minuteur, procédez comme suit :

1. Appuyez sur la touche MICROWAVE.
2. Entrez la durée souhaitée à l'aide des touches chiffrées.
3. Appuyez 6 fois sur la touche POWER LEVEL et l'affichage visualisera "0".
4. Appuyez sur la touche START.

REMARQUE :

Cette fonction est utilisée pour calculer des temps indépendamment du four. Dès que le temps réglé est écoulé, trois bips retentissent. L'éclairage du four et le ventilateur de refroidissement sont activés pendant le décompte du temps, mais aucune micro-onde n'est présente.

SÉCURITÉ ENFANTS

Ce dispositif empêche toute utilisation du four par de jeunes enfants sans surveillance. L'activation de la fonction CHILD LOCK est affichée à l'écran ; le four ne peut être mis en service tant que la fonction est activée.

1. Pour régler la fonction CHILD LOCK : Appuyez sur la touche CANCEL pendant 3 secondes, un bip retentit et le voyant LOCK s'allume.
2. Pour désactiver la fonction CHILD LOCK : Appuyez sur la touche CANCEL pendant 3 secondes, jusqu'à ce que le voyant LOCK ne soit plus affiché.

REMARQUE :

Il est impossible d'utiliser le four tant que la fonction Sécurité enfants est activée.

ARRÊTER LE FOUR PENDANT LE FONCTIONNEMENT

Ouvrez la porte.

Vous pouvez redémarrer le four en fermant la porte et en appuyant sur la touche START.

REMARQUE :

Le four arrête de fonctionner dès que la porte est ouverte.

NETTOYAGE ET ENTRETIEN

1. Avant de procéder au nettoyage du four, mettez l'appareil hors tension et retirez la fiche de la prise secteur.
2. L'intérieur du four doit rester propre. Si des éclaboussures sont présentes sur les parois du four ou que des liquides ont débordé, essuyez à l'aide d'un chiffon humide. Si le four est très sale, vous pouvez utiliser un peu de détergent doux. Évitez d'utiliser un vaporisateur pour four ou tout produit nettoyant agressif sous peine de tacher les parois du four, de provoquer des rayures ou d'opaciser la surface de la porte.
3. Nettoyez les surfaces extérieures du four à l'aide d'un chiffon humide. Pour éviter d'endommager les pièces actives à l'intérieur du four, l'eau ne doit pas pénétrer dans les ouvertures de ventilation.
4. Nettoyez les faces intérieure et extérieure de la porte et de la vitre, les joints de la porte et les éléments adjacents à l'aide d'un chiffon humide pour éliminer les débordements et les éclaboussures. N'utilisez pas de nettoyeurs abrasifs.
5. Évitez de mouiller le bandeau de commande. Nettoyez-le à l'aide d'un chiffon doux et humide. Lorsque vous nettoyez le bandeau de commande, laissez la porte du four ouverte pour éviter qu'il ne se mette en marche inopinément.
6. Si de la vapeur s'accumule à l'intérieur ou autour de l'extérieur de la porte du four, essuyez à l'aide d'un chiffon doux. Ce phénomène peut se produire lorsque le four fonctionne dans des conditions d'humidité élevée. Il ne s'agit pas d'une anomalie de fonctionnement !
7. Il est nécessaire de nettoyer de temps à autre le plateau en verre. Lavez le plateau dans un peu d'eau chaude savonneuse ou au lave-vaisselle.
8. Nettoyez régulièrement la bague du rouleau et le fond du four pour éviter tout bruit excessif. Il suffit de nettoyer la surface inférieure du four avec un peu de détergent doux. Lavez la bague du rouleau dans une solution d'eau et de détergent doux ou au lave-vaisselle. Après quoi, remettez-la dans sa position d'origine.
9. Pour éliminer les odeurs, placez un bol d'eau avec le jus et l'écorce d'un citron sur le plateau tournant, puis activez les micro-ondes pendant 5 minutes. Rincez soigneusement et essuyez à l'aide d'un chiffon doux.
10. Si l'ampoule du four doit être remplacée, demandez conseil à votre revendeur.
11. Il est important de nettoyer le four régulièrement et d'éliminer tous les résidus d'aliments présents. Si le four n'est pas maintenu propre, cela peut entraîner la détérioration de la surface : la durée de vie de l'appareil pourra en être affectée et provoquer des situations de danger.
12. Au moment de vous débarrasser de votre appareil, ne le jetez pas avec les déchets ménagers, mais déposez-le auprès du centre de collecte spécialisé de votre commune.

التنظيف والعناية

1. قبل التنظيف، قم بإطفاء الفرن. وانزع قابس التيار من مقبس الحائط.
2. حافظ على نظافة داخل الفرن. وإذا التصقت الأطعمة المتناثرة أو السوائل المسكوبة بجدران الفرن، امسحها بقطعة قماش مرطبة بالماء. يمكن استخدام منظفات خفيفة إذا اتسخت الفرن بدرجة كبيرة. تجنب استخدام مواد الرش والمنظفات القوية لأنها قد تخلف بقعاً أو خطوطاً في سطح الباب أو تفقده بريقه.
3. يجب تنظيف الأسطح الخارجية بقطعة قماش مرطبة بالماء، وتجنب إلحاق تلف بالأجزاء العاملة داخل الفرن. يجب عدم السماح للماء بالتسرب عبر فتحات التهوية.
4. امسح الباب والنافذة من كلا الجانبين وأداة إحكام غلق الباب والأجزاء المجاورة بقطعة قماش مرطبة بالماء وبصورة متكررة. وذلك لإزالة آثار الانسكاب أو التناثر. لا تستخدم منظفات تسبب التآكل.
5. احرص على عدم إصابة لوحة التحكم بالبلل. نظفها باستخدام قطعة قماش ناعمة ومبللة، واترك باب الفرن مفتوحاً أثناء تنظيف اللوحة لتجنب تشغيلها بطريق الخطأ.
6. إذا تجمع البخار داخل أو حول المنطقة الخارجية من باب الفرن، امسحها بقطعة من القماش الناعم. وقد يحدث ذلك عند تشغيل فرن الميكروويف في درجة رطوبة جوية عالية. وهذا أمر طبيعي.
7. بين الحين والآخر، يكون من الضروري إخراج الصينية الزجاجية لتنظيفها. اغسل الصينية بالماء الدافئ والصابون، أو في غسالة الصحون.
8. يجب تنظيف حلقة البكرة وأرضية الفرن بانتظام لتجنب الضوضاء الشديدة، ببساطة. امسح سطح الفرن السفلى بمنظف خفيف. ويمكن غسل حلقة البكرة بالماء والصابون الخفيف أو في غسالة الصحون. عند إخراج حلقة البكرة من أرضية التجويف لتنظيفها، احرص على إعادتها إلى موضعها الصحيح.
9. احرص على إزالة الروائح من الفرن بمزج عصير وقشرة حبة ليمون بماء كوب من الماء. في إناء عميق يصلح للاستخدام في الميكروويف، ثم شغل الفرن لمدة 5 دقائق، امسحها وجففها بقطعة قماش ناعمة وجافة.
10. إذا اقتضى الأمر، استبدل مصباح الفرن. يرجى استشارة البائع ليقوم باستبداله.
11. يجب تنظيف الفرن بانتظام. وإزالة أي رواسب للأطعمة. قد يؤدي عدم الحفاظ على جعل الفرن في حالة نظيفة إلى تدهور السطح، بما قد يؤثر سلباً على عمر الجهاز وقد ينتج عنه حالة خطيرة.
12. عند الرغبة في التخلص من هذه الفرن، يرجى عدم إلقائه في صندوق القمامة المنزلية. ويجب التخلص منه في المركز المخصص للتخلص من النفايات الذي توفره إدارة البلديات.

الطهي السريع

مع الطهي السريع. أنت تلمس زر الطهي السريع (EXPRESS) عدة مرات لتحديد وقت الطهي. وسوف يعمل الفرن بأقصى مستوى للطاقة.

المس الزر مرة	15 ثانية
المس الزر مرتين	30 ثانية
المس الزر 3 مرات	دقيقة واحدة
المس الزر 4 مرات	دقيقتان

إذا أردت أن تضبط الفرن لكي يكون الطهي لمدة 1 دقيقة بطاقة 100% باستخدام خاصية الميكروويف.

1. المس زر الطهي السريع (3 EXPRESS مرات. وسوف يظهر 1:00 على الشاشة).
2. المس زر البدء (START).

إذابة الثلج حسب الوزن (WEIGHT DEFROST)

يقوم تلقائياً بضبط دورة إذابة الثلج الصحيحة بمجرد إدخال وزن الطعام المراد إذابة الثلج منه. ويبين الجدول التالي أقصى وزن مسموح به من كل فئة.

فئة الطعام	أقصى وزن	شاشة العرض
اللحوم	2300 جم	d1
الدجاج	4000 جم	d2
الأسماك	900 جم	d3

إذا أردت إذابة الثلج من على 600 جم روبيان (جمبري).

1. المس زر إذابة الثلج بالوزن (WEIGHT DEFROST) - 3 مرات. تظهر d3 في شاشة العرض.
2. المس زر MIN - 1. - 6 مرات.
3. المس زر البدء (START).

ملاحظة:

لوحات الأرقام

دقائق 10 = 1000 جم
10 ثوانٍ = 10 جم
1 دقائق = 100 جم
1 ثانية = 1 جم

قد تحتاج إلى أن تقلب الطعام في منتصف عملية الطهي لكي يكون الطهي بنفس الدرجة. الفرن لا يعمل إذا حدث أن قمت بإدخال وزن يزيد على الحد الأقصى المسموح به.

بالنسبة للأطعمة التي يزيد وزنها على الحد الأقصى للوزن استخدم برنامج إذابة الثلج السريعة للثلج (QUICK DEFROST). للتذكير، بعد انتهاء برنامج الطهي أو إذابة الثلج. يستمر الفرن تلقائياً في إصدار صفارات كل دقيقتين حتى يفتح الباب أو حتى يتم لمس زر CANCEL.

الإذابة السريعة للثلج (QUICK DEFROST)

مع وظيفة الإذابة السريعة للثلج (QUICK DEFROST) يجب أن تقوم بإدخال وقت إذابة الثلج. إذا أردت أن تضبط الفرن على الإذابة السريعة للثلج لمدة 5 دقائق و30 دقيقة.

1. المس زر الإذابة السريعة للثلج (QUICK DEFROST).
2. المس زر MIN - 1. - 5 مرات وزر 10-sec. - 3 مرات.
3. المس زر البدء (START).

ضبط ساعة التوقيت

لضبط ساعة التوقيت. قم بعمل الآتي.

1. المس زر الميكروويف (MICROWAVE).
2. استخدم أزرار الأرقام لإدخال الوقت المطلوب.
3. المس زر مستوى الطاقة (6 POWER LEVEL مرات وسوف يظهر "0" على الشاشة).
4. المس زر البدء (START).

ملاحظة:

تستخدم هذه الخاصية الإضافية لتحديد وقت الأشياء التي يتم عملها خارج الفرن. تصدر ثلاث صفارات عند انتهاء الوقت. يضاء ضوء الفرن ومروحة التبريد أثناء العد التنازلي. إذا لم يكن هناك ميكروويف.

قفل السلامة

يستخدم لمنع التشغيل غير المسموح به للفرن من قبل الأطفال الصغار. مؤشر قفل الأطفال (CHILD LOCK) يظهر على الشاشة ولا يمكن تشغيل الفرن أثناء ضبط قفل الأطفال (CHILD LOCK).

1. لضبط قفل الأطفال: اضغط واستمر في الضغط على زر الإلغاء (CANCEL) لمدة 3 ثوانٍ. وسوف تسمع صفارة ويضاء مؤشر القفل (LOCK).
2. لإلغاء قفل الأطفال: اضغط واستمر في الضغط على زر الإلغاء (CANCEL) لمدة 3 ثوانٍ حتى ينطفئ مؤشر القفل على الشاشة.

ملاحظة:

لا يمكنك تشغيل الفرن أثناء ضبط قفل الأطفال.

إيقاف الفرن أثناء التشغيل

افتح الباب.

يمكنك إعادة تشغيل الفرن عن طريق إغلاق الباب ولمس زر البدء (START).

ملاحظة:

يتوقف الفرن عن التشغيل عند فتح الباب.

كيف تضبط مفاتيح الفرن

في كل مرة يتم فيها لمس زر، يصدر صوت صفارة للدلالة على اللمس.

ضبط الساعة

لإدخال وقت الساعة بالفرن. مثال 6:00 (صباحاً أو مساءً)

1. المس زر الساعة (CLOCK).

2. المس زر الإلغاء (CANCEL).

3. المس زر MIN-1. 6 مرات.

4. المس زر الساعة (CLOCK) مرة أخرى للتأكيد.

هذه ساعة بنظام 12 ساعة. الإعداد الافتراضي هو 1:01 في حالة توصيل الفرن بالتيار الكهربائي.

يمكنك فحص وقت الطهي أثناء استمرار الطهي عن طريق لمس زر الساعة (CLOCK).

الطهي بالميكروويف

إذا أردت أن تطهي الطعام لمدة 5 دقائق بطاقة ميكروويف قدرها 60%.

1. المس زر الميكروويف (MICROWAVE).

2. المس زر MIN-1. خمس مرات.

3. المس زر مستوى الطاقة (3 POWER LEVEL) مرات.

4. المس زر البدء (START).

الخطوة 3 ليست ضرورية إذا أردت الطهي بمستوى طاقة 100%.

زر مستوى الطاقة (POWER LEVEL)

بالضغط على الزر عدة مرات، فأنت تختار مستويات مختلفة من طاقة الميكروويف كما هو موضح في الجدول التالي.

اضغط	شاشة العرض	مستوى الطاقة
مرة	P10	100% من الإجمالي
مرتين	P8	80%
3 مرات	P6	60%
4 مرات	P4	40%
5 مرات	P2	20%
6 مرات	P0	0%

الطهي بالشواية

بعد الطهي بالشواية مفيداً على وجه الخصوص لطهي شرائح اللحم الرقيقة أو الاستيك أو قطع اللحم الكبيرة أو الكباب أو السجق (التناقق) أو قطع الدجاج. وهو مناسب أيضاً للسندوتشات الساخنة وأطباق الأوجراتين. إذا أردت شوي الطعام لمدة 40 دقيقة.

1. المس زر الشواية (GRILL).

2. المس زر MIN-1. 4 مرات.

3. المس زر البدء (START).

الطهي بالميكروويف والشواية معاً

الميكروويف والشواية 1

30% من الوقت للطهي بالميكروويف.

70% من الوقت للطهي بالشواية.

استخدم السمك أو البطاطس أو الأوجراتين.

الميكروويف والشواية 2

55% من الوقت للطهي بالميكروويف.

45% من الوقت للطهي بالشواية.

مفيدة في طهي أو مليات البودج والبطاطس في الفرن والدواجن.

إذا أردت أن تضبط الفرن للعمل بطريقة الميكروويف والشواية 2 لمدة 25 دقيقة.

1. المس زر كومبي 2 (COMBI2).

2. المس زر MIN-10. مرتين و زر MIN-1. 5 مرات.

3. المس زر البدء (START).

الطهي بعدة مراحل

الفرن يمكن برمجته للقيام بعدة وظائف متتالية.

الخطوات التالية مطلوبة إذا كنا سنقوم بإعداد برنامج للطهي

تضمن الإذابة السريعة للثلج والميكروويف والشواية.

1. المس زر الإلغاء (CANCEL) لإعادة ضبط النظام.

2. أدخل برنامج الإذابة السريعة للثلج.

3. المس زر الذاكرة (MEMORY).

4. أدخل برنامج الطهي بالميكروويف.

5. المس زر الذاكرة (MEMORY).

6. أدخل برنامج الطهي بالشواية.

7. المس زر البدء (START).

ملاحظة

منطقياً، وظيفة الإذابة السريعة للثلج (QUICK DEFROST)

أو وظيفة إذابة الثلج بالوزن (WEIGHT DEFROST) يجب أن

تبدأ من أي وظيفة طهي في برنامج طهي متعدد المراحل.

سوف يضاء ضوء كل مرحلة للإشارة إلى المرحلة التي يعمل بها

الفرن. بعد انتهاء الوقت الكلي يصدر 3 صفارات.

الضبط المسبق للطهي

يمكنك أن تضع الطعام في الفرن، وتبرمج الفرن لكي يبدأ في

وقت لاحق في حدود دورة الساعة الخاصة بالفرن (12 ساعة).

إذا أردت أن تضبط الفرن لكي يبدأ الساعة 2.

1. ضع الطعام في الفرن

2. المس زر الضبط المسبق (PRESET).

3. المس زر MIN-1. مرتين.

4. اضبط برنامج طهي.

5. المس زر البدء (START).

لوحة التحكم

شاشة عمل بالقائمة

يتم عرض وقت الطهي والطاقة ومؤشرات العمل والوقت الحالي.

أزرار الدقائق السريعة

يتم لمس هذا الزر لضبط الساعة ووقت الطهي وإدخال وزن الطعام.

الميكروويف

يتم لمس هذه الزر لضبط برنامج الطهي بالميكروويف.

الشواية

اضغط هذا الزر لضبط برنامج للطهي بالشواية

كومبي 1 و 2

يتم لمس هذه الزر عندما تريد ضبط دورة طهي بكل من الميكروويف والشواية.

إذابة الثلج بالوزن

يقوم تلقائياً بضبط دورة إذابة الثلج الصحيحة بمجرد إدخال وزن الطعام المراد إذابة الثلج منه.

الإذابة السريعة للثلج

قم بتخصيص وقت إذابة الثلج للأطعمة التي ليست ضمن هذه الفئات أو التي تزيد على الحد الأقصى للوزن المسموح بإذابة الثلج منه.

سريع

لبدء الفرن بسرعة بأقصى طاقة للميكروويف. يمكنك الضغط على هذا الزر عدة مرات للإشارة إلى وقت الطهي.

مستوى الطاقة

اضغط على هذا الزر عدة مرات لضبط مستوى طاقة الطهي.

ضبط المسبق

يسمح لك مفتاح تأخير البدء بوضع الطعام في الفرن وبرمجته لبدء الطهي في وقت لاحق.

الذاكرة

استخدم هذا الزر لضبط برنامج طهي متعدد المراحل.

الساعة

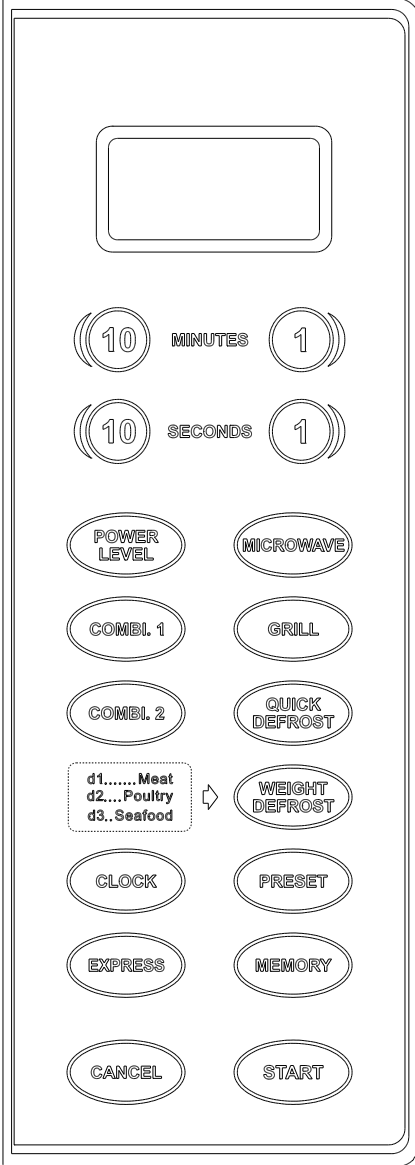
يستخدم لضبط الوقت أو استرجاع الوقت. يتم عرض الوقت في جميع الأوقات إلا إذا كان الفرن يعمل. في حالة انقطاع التيار الكهربائي أو إذا كان الفرن غير موصل بالتيار الكهربائي يجب إعادة ضبط الساعة.

إلغاء

المس هذا الزر لمسح الضبط الحالي أو إعادة ضبط النظام.

بدء

المس هذا الزر لبدء برنامج طهي.



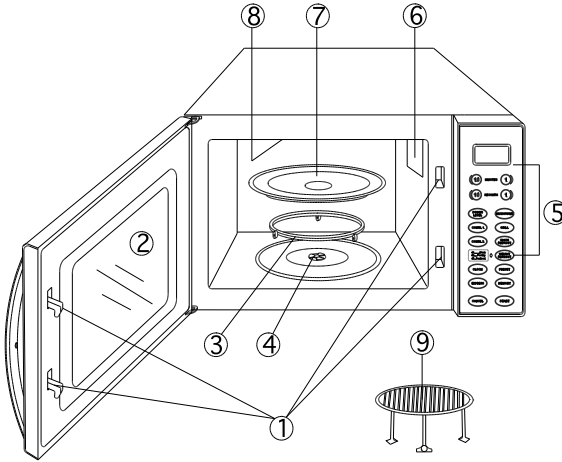
دليل الأواني

1. المادة المثالية لصناعة أواني الميكروويف هي المادة الشفافة أو التي ينفذ منها الميكروويف. لأنها تسمح للطاقة بالمرور خلال الإناء لتسخين الطعام.
2. الميكروويف لا يستطيع احتراق المعادن. لذلك، يجب عدم استخدام أوان معدنية أو أطباق ذات زخارف معدنية.
3. لا تستخدم المواد الورقية المعاد تصنيعها في الطهي بالميكروويف. لأنها قد تحتوي على جزيئات معدنية صغيرة قد تتسبب في تولد الشرر و/أو اندلاع الحرائق.
4. يوصى باستخدام الأطباق المستديرة/البيضاوية بدلاً من الأطباق المربعة أو المستطيلة، لأن الأظعمة في الأركان تتعرض للطهي المفرط.
5. يمكن استخدام شرائط رفيعة من ورق الألمنيوم لمنع تعرض الأجزاء المكشوفة لطهي مفرط. ولكن احرص على عدم استخدام قدر أكثر مما يجب من هذه الشرائط. وعلى ترك مسافة بوصة واحدة (2.54 سم) بين ورق الألمنيوم والتجويف.

القائمة التالية هو دليل عام لمساعدتك في اختيار الأواني الصحيحة.

إثناء الطهي	ميكروويف	الشواوية	كلاهما
زجاج مقاوم للحرارة	نعم	نعم	نعم
زجاج لا يقاوم الحرارة	لا	لا	لا
سيراميك مقاوم للحرارة	نعم	نعم	نعم
طبق بلاستيك يمكن استخدامه في الميكروويف	نعم	لا	لا
ورق مطبخ	نعم	لا	لا
صينية من المعدن	لا	نعم	لا
رف من المعدن	لا	نعم	لا
ورق ألومنيوم وأواني من ورق الألومنيوم	لا	نعم	لا

أسماء الأجزاء



1. نظام قفل السلامة للباب
2. نافذة الفرن
3. حلقة دوارة
4. عمود تدوير
5. لوحة التحكم
6. فتحة هواء الفرن
7. صينية زجاجية
8. سخان الشواوية
9. رف من المعدن

6. **تحذيرة:** عندما يتم تشغيل الفرن بوضع الجمع بين أكثر من وظيفة. يجب على الأطفال عدم استخدام الفرن إلا تحت إشراف شخص بالغ نظراً لدرجات الحرارة العالية التي يتم توليدها.
7. **للحد من مخاطر حدوث حريق في جوفيف الفرن:**
 - أ. عند تسخين الطعام في أوعية بلاستيكية أو ورقية، راقب الفرن عن كثب لتفادي حدوث أي اشتعال محتمل.
 - ب. انزع الأربطة السلك من أكياس الورق أو البلاستيك قبل وضع الكيس في الفرن.
 - ج. إذا لاحظت وجود دخان، قم بإطفاء الفرن أو فصله عن مصدر التيار. مع الإبقاء على الباب مغلقاً لإخماد أي لهب.
 - د. لا تستخدم التجويف لأي أغراض تتعلق بالتخزين. لا تترك المنتجات الورقية أو أواني الطعام أو الطهي داخل التجويف في حالة عدم استخدام الفرن.
8. **تحذيرة:** يجب عدم تسخين السوائل أو الأطعمة في الأواني المحكمة الغلق. فهي عرضة للانفجار.
9. قد يؤدي تسخين المشروبات بالميكروويف إلى تأخر في ظهور الغليان الطفيفي، ولذلك، يجب توخي الحذر عند ملامسة الوعاء.
10. لا تقم بقلبي الأطعمة في الفرن. قد تتسبب الزيوت الساخنة في حدوث تلف بأجزاء الفرن والأواني. بل وربما تسبب حروقاً في الجلد.
11. البيض في قشره، والمسلوق جيداً، يجب ألا يسخن في أفران الميكروويف. وذلك لأنه من الممكن أن ينفجر حتى بعد انتهاء عملية التسخين.
12. اثقب الأطعمة ذات القشور السمكية، مثل البطاطس وحببات القمح والتفاح والكستناء قبل طهيها في الفرن.
13. محتويات الرضعات وأكواب الأطفال يجب قلبها أو رجها. مع التأكد من درجة حرارتها. قبل التقديم. وذلك لتفادي الإصابة بالحروق.
14. أواني الطهي قد تصبح ساخنة بفعل الحرارة المنقلة من الطعام المسخن. ولذلك، قد تكون هناك حاجة إلى مفايض عند التعامل مع هذه الأواني.
15. يجب التحقق من أن الأواني تصلح للاستخدام في أفران الميكروويف.
16. **تحذيرة:** من الخطورة أن يقوم أي شخص غير مدرب بإجراء أي خدمة أو إصلاحات تتضمن خلع أي غطاء يحمي من التعرض لطاقة الميكروويف.
17. هذا المنتج يقع ضمن الفئة ب من المجموعة 2 من الأجهزة الصناعية والعلمية والطبية. تعريف المجموعة 2 هو المجموعة التي تتضمن جميع المعدات (الصناعية والعلمية والطبية) التي يتم عمداً توليد طاقة التردد اللاسلكي. و/أو التي تستخدم على هيئة إشعاع كهرومغناطيسي لمعالجة المواد. ومعدات الحث بالثدرن. أما النوع ب من المعدات، فهو المعدات الملائمة للاستخدام في المنشآت المنزلية. وفي المنشآت المرتبطة ارتباطاً مباشراً بالشبكة منخفضة الجهد للإمداد بالتيار، التي تمد المباني المستخدمة للأغراض المنزلية.
18. هذا الجهاز غير مصمم للاستخدام بواسطة الأشخاص (بما في ذلك الأطفال) ذوي الإمكانات البدنية أو الحسية أو العقلية المحدودة. أو الأشخاص محدودي الخبرة أو الدراية، إلا بعد تزويدهم بالتدريب والإشراف اللازم فيما يتعلق باستخدام الجهاز بواسطة شخص مسئول عن سلامتهم.
19. يجب الإشراف على الأطفال لضمان عدم لعبهم بالجهاز.

قواعد الطهي بالميكروويف

1. رتب الأطعمة بعناية، ضع الأشياء الأكثر سمكاً نحو خارج الطبق.
2. انتبه إلى زمن الطهي. واحرص على الطهي لأقصر فترة زمنية موضحة. ثم أضيف المزيد من الوقت حسب الحاجة، فالأطعمة التي تتعرض لطهي مفرط يمكن أن تدخن أو تشتعل.
3. احرص على تغطية الأطعمة أثناء الطهي. فالأغطية تمنع التناثر. وتساعد على طهي الأطعمة بدرجة متساوية.
4. اقلب الأطعمة مرة أثناء الطهي بالميكروويف لتسريع طهي بعض الأطعمة مثل الدجاج والهمبرجر. ويجب قلب القطع الكبيرة مثل لحوم الشواء مرة واحدة على الأقل.
5. أعد ترتيب الأطعمة مثل كرات اللحم في منتصف عملية الطهي. من القمة إلى القاع ومن مركز الطبق إلى خارجه.

تعليمات التوصيل الأرضي

يجب توصيل هذا الجهاز أرضياً. هذا الجهاز مزود بطرف أرضي مع قابس أرضي. ويجب توصيله بمقبس حائطي مركب بطريقة صحيحة وموصل بطرف أرضي. في حالة حدوث خلل في الدائرة الكهربائية، يقلل وجود هذا الطرف الأرضي من مخاطر حدوث الصدمات الكهربائية عن طريق توفير وسيلة لتسريب التيار. ويوصى باستخدام دائرة كهربائية منفصلة خاصة بالفرن. ومن الخطر استخدام جهد كهربائي عال. لأن ذلك قد يتسبب في حدوث حرائق. أو حوادث أخرى تؤدي إلى تلف الفرن.

تحذير

الاستخدام الخاطئ لقابس الأرضي قد ينتج عنه حدوث صدمة كهربائية.

ملاحظة

1. إذا كانت لديك أية تساؤلات بشأن تركيب الطرف الأرضي أو التعليمات الكهربائية. استشر كهربائياً مؤهلاً أو أخصائياً في أعمال الصيانة.
 2. لا تقبل الشركة المصنعة ولا البائع أي مسئولية بشأن أي إصابة شخصية أو تلف للفرن ينتج عن عدم الالتزام بإجراءات التوصيل الكهربائي.
- أسلاك الكيل الكهربائي ملونة وفقاً للكود التالي:
- أخضر وأصفر = أرضي
أزرق = سالب
بني = موجب

التداخل اللاسلكي

- من الممكن أن يتسبب تشغيل فرن الميكروويف في حدوث تداخل مع جهاز الراديو أو التلفزيون أو أي جهاز مائل. عند حدوث هذا التداخل، يمكن خفض درجته أو إزالته باتخاذ التدابير التالية:
1. تنظيف باب الفرن أو السطح المانع للتسرب الخاص به.
 2. إعادة توجيه هوائي الاستقبال الخاص بالراديو أو التلفزيون.
 3. تعديل وضع فرن الميكروويف بالنسبة لجهاز الاستقبال.
 4. إبعاد جهاز الميكروويف عن جهاز الاستقبال.
 5. توصيل فرن الميكروويف بمصدر آخر للتيار حتى يصبح كل من الفرن وجهاز الاستقبال موصلًا بدائرة فرعية مختلفة.

إرشادات هامة خاصة بالسلامة

عند استخدام الأجهزة الكهربائية، هناك احتياطات متعلقة بالسلامة يجب اتخاذها. ومن بينها ما يلي:

تحذير

للحد من مخاطر حدوث الحروق أو الصدمات الكهربائية أو الحرائق أو إصابات الأشخاص أو التعرض لطاقة ميكروويف زائدة

1. اقرأ جميع التعليمات قبل استخدام الفرن.
2. لا تستخدم هذا الفرن إلا للأغراض التي صمم من أجلها. والموضحة في هذا الدليل. لا تستخدم المواد الكيميائية أو الأبخرة التي تصبب التآكل في هذا الجهاز. هذا النوع من الأفران صمم خصيصاً لتسخين أو طهي الطعام، إنه غير مصمم للاستخدام في الصناعة أو في المختبر.
3. لا تستخدم الفرن وهو فارغ.
4. لا تقم بتشغيل الجهاز إذا كان هناك تلف في السلك أو القابس. أو إذا لم يكن يعمل بالطريقة الصحيحة. أو إذا كان تالفاً. أو إذا وقع على الأرض. إذا لحق أي تلف بسلك التوصيل، يجب استبداله عن طريق جهة الصنع أو وكيل الصيانة التابع لها. أو أي شخص مؤهل بنفس الدرجة، وذلك لتجنب المخاطر.
5. **تحذير:** لا تسمح للأطفال باستخدام الفرن دون إشراف. إلا بعد إعطائهم تعليمات كافية حتى يتمكنوا من استخدامه بطريقة آمنة. وفهم مخاطر الاستخدام غير الصحيح.

المواصفات

استهلاك الطاقة:	220 فولت ~ 60 هيرتز، 1400 وات (ميكروويف) 1050 وات (الشواية)
خرج طاقة الميكروويف المقننة:	900 وات
تردد التشغيل:	2450 ميجاهيرتز
الأبعاد الخارجية:	300 مم (ارتفاع) × 539 مم (عرض) × 420 مم (عمق)
أبعاد جوف الفرن:	220 مم (ارتفاع) × 354 مم (عرض) × 358 مم (عمق)
سعة الفرن:	30 لتر
انتظام الطهي:	نظام الطاولة الدوارة
الوزن الصافي:	تقريباً 16.4 كجم

قبل الاتصال بالخدمة

إذا لم يعمل الفرن:

1. افحص الفرن للتحقق من أن الفرن موصل بمصدر التيار بطريقة سليمة وآمنة. فإذا لم يكن الحال كذلك، انزع القابس من مصدر التيار، وانتظر لمدة 10 ثوان. ثم أعد توصيله بطريقة آمنة.
2. تأكد من عدم وجود منصهر محترق بالدائرة. أو انفصال في مفتاح قطع الدائرة الرئيسي. فإذا كانت هذه الأشياء تعمل بطريقة صحيحة، اختبر مخرج التيار باستخدام جهاز آخر.
3. افحص الفرن للتحقق من أن لوحة التحكم مبرمجة بطريقة صحيحة، وأن ساعة التوقيت مضبوطة.
4. افحص الفرن للتحقق من أن الباب مغلق بطريقة آمنة باستخدام نظام قفل السلامة للباب. فإذا لم يكن الحال كذلك، فإن طاقة الميكروويف لن تمر إلى داخل الفرن.

إذا لم ينتج عن أي خطوة من الخطوات السابقة حل المشكلة، اتصل بفني مؤهل. ولا تحاول ضبط أو إصلاح الفرن بنفسك.

التركيب

1. تأكد من أن جميع مواد التغليف قد تمت إزالتها من داخل الباب.
2. **تحذير:** تأكد من خلو الفرن من أي عيوب، مثل وجود انحراف أو اعوجاج في الباب. أو تلف في أدوات إحكام غلق الباب أو السطح المانع للتسرب. أو الكسر أو تفكك في مفصلات أو مزاليح الباب. أو انبعاج داخل التجويف أو في الباب نفسه. إذا كان هناك أي تلف، لا تقم بتشغيل الفرن واتصل بفني خدمة مؤهل.
3. يجب أن يوضع فرن الميكروويف هذا على سطح مستو وثابت يتحمل وزنه ووزن أثقل أنواع الطعام التي سيتم طهيها في الفرن.
4. لا تضع الفرن بالقرب من أي مصدر للحرارة أو الرطوبة، أو في مكان معرض للرطوبة الجوية، أو بجوار مواد قابلة للاشتعال.
5. لكي يعمل الفرن بطريقة صحيحة، يجب أن يحاط بدرجة كافية من تدفق الهواء، اترك فراغاً لا يقل عن 25 سم فوق الفرن. وعن 15 سم خلفه، ولا تنزع الحوامل التي يرتكز عليها. يراعى عدم تغطية أو قفل أي فتحات بهذا الجهاز، لا تقم بتغطية الأقدام.
6. لا تشغيل الفرن بدون وضع الصينية الزجاجية، أو مسند البكرة، أو العمود، في أماكنها الصحيحة.
7. تأكد من عدم وجود أي تلف في سلك توصيل التيار، ومن أن السلك لا يمر تحت الفرن أو فوق أي سطح ساخن أو حاد.
8. يجب أن يكون المفيس في مكان يسهل الوصول إليه حتى يمكن فصل التيار بسهولة عند حدوث أية طوارئ.
9. لا تستخدم الفرن خارج البيت.

دليل مالك فرن الميكروويف

1. اقرأ هذه التعليمات بعناية قبل تركيب وتشغيل الفرن. احتفظ بها للرجوع إليها مستقبلاً.
2. في الفراغ أدناه قم بتسجيل الرقم المسلسل الموجود على لوحة الاسم بالفرن واحتفظ بهذه المعلومات للرجوع إليها مستقبلاً.

الرقم المسلسل:

احتياطات لتجنب التعرض المحتمل لطاقة الميكروويف الزائدة

1. لا تحاول تشغيل هذا الفرن والباب مفتوح حيث أن تشغيله والباب مفتوح من الممكن أن يؤدي إلى التعرض للضار لطاقة الميكروويف. من المهم أن لا تلقي أو تعبت بأدوات السلامة.
2. لا تضع أي شيء بين الوجه الأمامي للفرن والباب. ولا تسمح للتراب أو بقايا المنظف بالتراكم على أسطح منع التسرب.
3. لا تقم بتشغيل الفرن إذا كان تالفاً. من المهم للغاية أن يتم غلق باب الفرن جيداً وأن لا يكون هناك تلف في (أ) الباب (منحني). (ب) المفصلات والمزاليج (مكسورة أو مفكوكة). (ج) سدادات إحكام غلق الباب وأسطح إحكام الغلق.
4. يجب أن لا يقوم بإصلاح الفرن أو ضبطه أي شخص سوى أفراد الخدمة المؤهلون لذلك.

صفحة 3	تعليمات الاستخدام	العربية
FRANÇAIS	Mode d'emploi	Page 12
ENGLISH	Instructions for use	Page 3

5019 305 02000

