

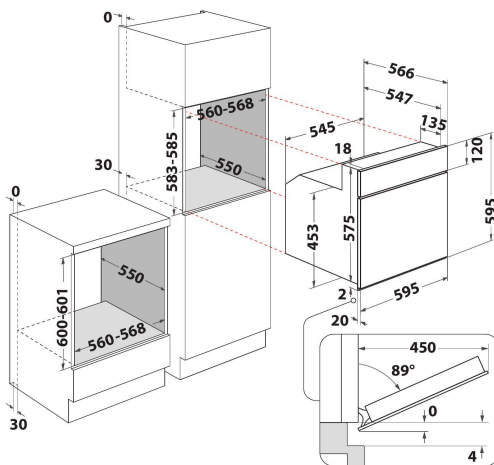
# AKP 7460 IX

12NC: 857774601700

GTIN (EAN) code: 8003437937767

Whirlpool

SENSING THE DIFFERENCE



- Catalytic cleaning system
- Energy class A
- Cavity 65 L
- Defrost function
- Forced Air Fan Cooking
- Grill
- Easy Clean Enamel Interior
- Turbo grill function
- Pastry function
- Soft closing door
- Conventional Cooking
- "Push Push" knobs
- Door Glasses Number: 2
- Protuding handle
- Timer
- Grill 1400 W
- 1 Grid

## Whirlpool built in electric oven: inox color - AKP 7460 IX

This Whirlpool built in Oven features: advanced electric technology allowing you to cook dishes saving energy. Halogen lamp allowing a more energy-efficient performance. Oven door with soft-close design, for increased ease of use.

### Multifunction 8

Multiple cooking methods. The Multifunction 8 feature offers flexible cooking options, to ensure perfect results, whatever the recipe.

### Forced Air

Seal in the taste. Thanks to the Forced Air technology, preheated air is circulated inside your Oven using an innovative convection system, giving you moist, juicy cooking results.

### Soft closing

Slow-motion closing. Thanks to slow-closing hinges, the oven door shuts effortlessly, with a soft and silent motion.

### Absolute aesthetic

The Absolute collection. Admire the beauty of performance. With a futuristic design and unparalleled performance, the Absolute collection is designed for modern, high-tech kitchens. Equipped with innovative 6TH SENSE technology, Absolute ovens can be set in three simple steps for perfect results. Maximum flexibility and ease of use with a distinctive look and original finishes.

### Catalytic

Self-cleaning panels. The catalytic panels fitted inside the oven take care of any spills and splashes, eliminating them while cooking.

### Standard cavity

This Whirlpool Oven features a standard-size cavity.

### Energy class

Outstanding energy savings. Ovens with an A/ A+ energy rating offer an excellent level of energy efficiency, ensuring lower consumption and saving you money on your energy bills.

### Sliding shelves

Smooth motion. This Whirlpool oven features soft-sliding shelves, for increased ease of use.

### Push push

The knobs' 'push push' design ensure extra comfortable ease of use and a premium look.

# AKP 7460 IX

12NC: 857774601700

GTIN (EAN) code: 8003437937767

**Whirlpool**

SENSING THE DIFFERENCE

## MAIN FEATURES


Product group	Oven
Commercial code	AKP 7460 IX
Main colour of product	Inox
Construction type	Built-in
Type of control	Mechanical and electronic
Type of control settings	-
Are any hobs controls integrated?	No
Which kind of hobs can be controlled?	-
Automatic programmes	No
Current (A)	16
Voltage (V)	220-240
Frequency (Hz)	50/60
Length of Electrical Supply Cord (cm)	90
Plug type	No
Depth with open door 90 degree (mm)	-
Height of the product	595
Width of the product	595
Depth of the product	564
Minimum niche height	0
Minimum niche width	0
Niche depth	0
Net weight (kg)	31.95
Usable volume (of cavity)	60
Integrated Cleaning system	Catalytic partial
Grids of the cavity	1
Trays	2

## TECHNICAL FEATURES

Timer	-
Time control	Electronic
Time-setting options	No delay options
Safety device	-
Interior light	Yes
Number of interior lights of the cavity	1
Position of interior lights of the cavity	Rear
Oven guides of the cavity	Telescopic
Probe of the cavity	No

## PERFORMANCES


Energy input	Electric
Type of energy of the cavity	Electricity
Energy efficiency class - NEW (2010/30/EU)	A
Energy consumption per cycle conventional - NEW (2010/30/EU)	0.87
Energy consumption per cycle forced air convection - NEW (2010/30/EU)	0.78




**ENERG** Y UA  
енергия · ενεργεια IE IA

**WHIRLPOOL**


AKP 7460 IX




**A**



**65 L**



**0.87 kWh/cycle\***



**0.78 kWh/cycle\***

\* циска - cyklus - partion - zykus - nopolymassa - ciclo - tsükkel - ohjelma - ciklus - cikls - ciklu - cyclus - cykl - ciclu - program - cykel

65/2014