

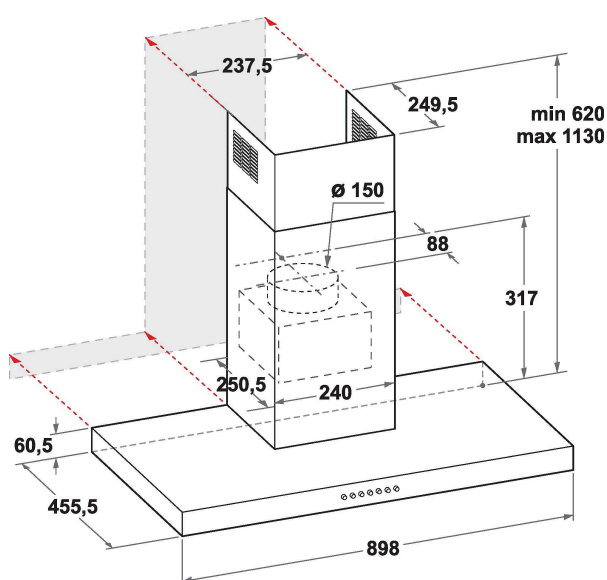
# WHBS92FLTK

12NC: 859991674670

GTIN (EAN) code: 8003437054372

**Whirlpool**

SENSING THE DIFFERENCE



## MAIN FEATURES

Product group	Napa
Colour body	Crna
Material body	Stainless steel / glass
Colour chimney	Crna
Material chimney	Aluminium painted
Typology	Zidna
Installation type	Zidna
Type of control	Electronic
Type of control settings	-
Decor panel options	-
Motor location	Integrated motor in hood body
Operating Mode	Convertible
Electrical connection rating (W)	275
Current (A)	-
Voltage (V)	220-240
Frequency (Hz)	50/60
Length of Electrical Supply Cord (cm)	150
Plug type	Schuko
Chimney height (mm)	-
Height of product, without chimney (mm)	308
Height of the product	1145
Width of the product	898
Depth of the product	456
Minimum niche height	0
Minimum niche width	0
Niche depth	0
Net weight (kg)	15.1

## TECHNICAL FEATURES

Type of manual control devices	Touch control
Type of automatic control devices	-
Number of motors	1
Total power of the motors (W)	270
Number of speed settings: boost option availability	4
Boost presence	Yes
Maximum output air extraction (m <sup>3</sup> /h)	420
Boost position air extraction (m <sup>3</sup> /h)	720
Maximum output recirculating air (m <sup>3</sup> /h)	290
Boost position output recirculating (m <sup>3</sup> /h)	315
Light Control Type	On/Off
Number of lights	2
Type of lamps used	LED
Total power of the lamps (W)	5
Diameter of air outlet (mm)	150
No-return airflow flap	Yes
Grease filter material	Washable aluminium
Odour filter	Yes

## ENERGY LABEL

Sound power at min. speed (2010/30/EU)	33
Sound power at max. speed (2010/30/EU)	62
Noise level with boost position (dB(A) re 1 pW)	72