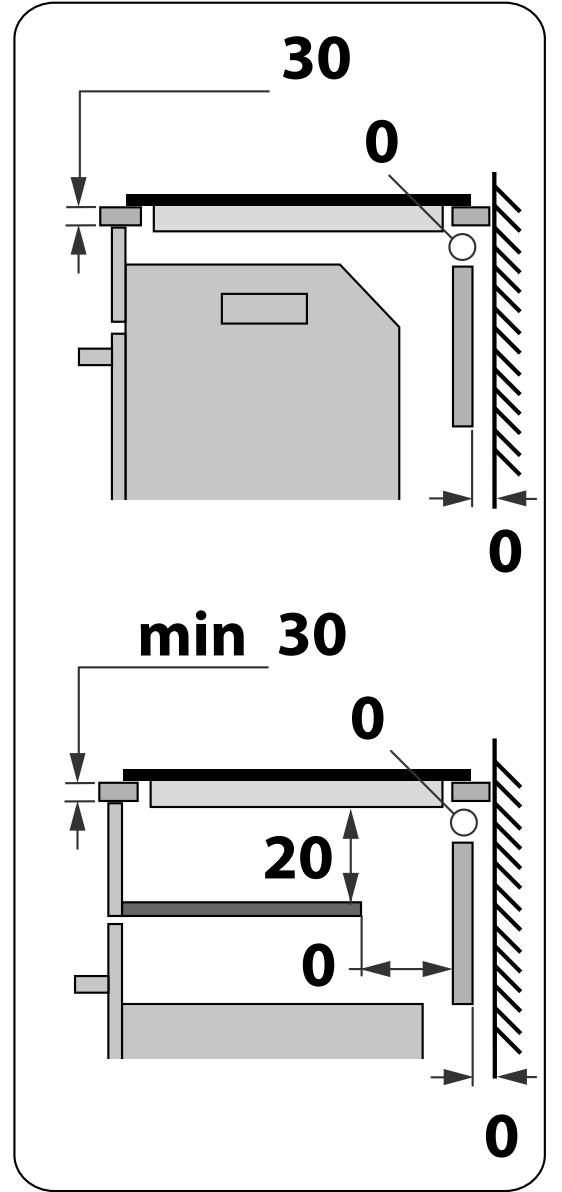


min



DIMENSION	MEASURE		DIMENSION	MEASURE	
APPLIANCE			Indicates whether a protection tray against heat or contact is needed with oven. Default is "N"	No	
Product width	288	mm	Indicates whether a ventilation opening in the back side of cabinet is needed or not with oven. Default is "Y"	No	
Product depth	510	mm	Indicates the position of the opening in the back side of the cabinet with oven	N/A	
Radius of product corner	10	mm	MIN Width of rear opening required with oven	0	mm
Product height (MAX protrusion from the worktop)	31	mm	MIN Depth of rear opening required with oven.	0	mm
Underneath the bearing area of the appliance	50	mm	MIN AREA of rear opening required with oven	0	cm ²
Distance between cut out and top frontal projection	10	mm	MIN distance from cabinet to rear wall, with oven	0	mm
Distance between cut out and top lateral projection	9	mm	Indicates whether a ventilation opening in the top front side of cabinet is needed or not with oven. Default is "N"	No	
Plateau thickness	6	mm	MIN Frontal gap required, with oven (2)	0	mm
Gas outlet positioning	N/A		MIN frontal opening area required with oven	0	cm ²
Gas outlet X positioning	0	mm	WITH CABINET		
Gas outlet Y positioning	0	mm	MIN worktop thickness with cabinet	30	mm
Power cable	With product		MAX worktop thickness with cabinet	50	mm
Power cable positioning	Rear left		Indicates whether a protection tray against heat or contact is needed. Default is "Y"	Yes	
CUT OUT			MIN distance from bottom line of appliance to protection tray	20	mm
MIN front distance from cut-out to end worktop	0	mm	Indicates whether a ventilation opening in the tray is needed or not with cabinet	No	
MIN rear distance from cut out to wall/furniture	50	mm	Recess dimension X	0	mm
MIN lateral distance from cut out to wall/furniture	100	mm	Recess dimension Y	0	mm
MIN height from worktop to above furniture	450	mm	Positioning dimension X by axis	0	mm
MIN cut out width	270	mm	Distance of the tray from the back panel/wall	0	mm
MAX cut out width	272	mm	Indicates whether a divider is available	N/A	
MIN cut out depth	490	mm	Indicates whether a ventilation opening in the back side of cabinet is needed or not. Default is "Y"	No	
MAX cut out depth	492	mm	Indicates the position of the opening in the back side of the cabinet.	N/A	
MIN cut out radius	0	mm	MIN Width of rear opening of the cabinet	0	mm
MAX cut out radius	0	mm	MIN Depth of rear opening of the cabinet	0	mm
FLUSH INSTALLATION			MIN AREA of rear opening of the cabinet	0	cm ²
Indicates whether a flush installation is possible. Default is "N"	No		MIN distance from cabinet to rear wall	0	mm
MIN Milling rabbet width	0	mm	Indicates whether a ventilation opening in the top front side of cabinet is needed or not. Default is "N"	No	
MAX Milling rabbet width	0	mm	MIN Frontal gap of the cabinet	0	mm
MIN Milling rabbet depth	0	mm	MIN frontal opening area of the cabinet	0	cm ²
MAX Milling rabbet depth	0	mm	INSTALLATION SPACE		
Milling rabbet thickness	0	mm	Depth of immersion underneath the appliance	0	mm
Radius milling rabbet	0	mm	Width protruding area below bottom box	0	mm
Flush installation KIT (2)	N/A		Depth protruding area below bottom box	0	mm
Indicates the minum worktop thickness with standard installation for gas	0	mm	Protruding area: X positioning	0	mm
Indicates the maximum worktop thickness with standard installation for gas	0	mm	Protruding area: Y positioning	0	mm
Indicates the minum worktop thickness with flush installation for gas	0	mm	ACCESSORIES FOR INSTALLATION		
Indicates the maximum worktop thickness with flush installation for gas	0	mm	Gasket	Pre assembled	
WITH OVEN			Clips	Separate	
Indicates whether the cooktop can be installed above oven. Default is "Y"	Yes				
MIN worktop thickness with oven	30	mm			
MAX worktop thickness with oven	50	mm			

DIMENSION**MEASURE**

	KIT	
Injector KIT	N/A	
Elbow KIT	N/A	
COOKTOP HOOD INSTALLATION ONLY FOR GAS		
MIN distance from cooktop to above furniture	0	mm
MIN distance between cabinets above the cooktop	0	mm
MAX distance between cabinets above the cooktop	0	mm