

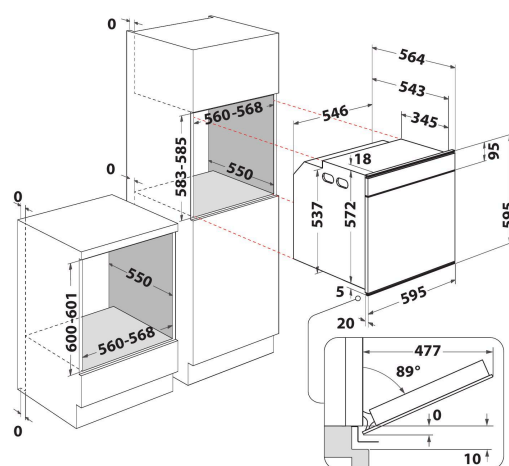
# W7 OM4 4S1 P

12NC: 859991538900

GTIN (EAN) code: 8003437834363

Whirlpool

SENSING THE DIFFERENCE



- 6TH Sense technology
- Up to 40 6th SENSE Cooking Combinations
- Pyrolytic cleaning system
- Energy class A+
- Cavity 73 L
- Cook4
- Ready2Cook
- Defrost function
- Forced Air Fan Cooking
- Grill
- Easy Clean Enamel Interior
- Turbo grill function
- Maxi cooking
- Pastry function
- Pizza/Bread function
- Eco Forced Air
- Warm Keeping

## Whirlpool built in electric oven: inox color, self cleaning - W7 OM4 4S1 P

This Whirlpool built in Oven features: self cleaning technology, that uses a high-temperature cycle to burn food residues into ashes, which can then be easily wiped away with a sponge. Advanced electric technology allowing you to cook dishes saving energy. Halogen lamp allowing a more energy-efficient performance. Exclusive 6th SENSE technology, that allows you to pick among a variety of pre-programmed recipes, and your oven will automatically adjust cooking, temperature and time settings, to ensure perfect results. Oven door with soft-close design, for increased ease of use.



### Multifunction 8

Multiple cooking methods. The Multifunction 8 feature offers flexible cooking options, to ensure perfect results, whatever the recipe.



### 6th Sense W6 W7

No more guesswork. Simply pick your recipes, and let 6th SENSE cook them to perfection, every time. Up to 40 cooking combinations organized to fit your lifestyle and diet, for a full assisted cooking experience.



### Ready2cook

No pre-heating required. The Ready2Cook function uses a powerful convection system to quickly reach the right temperature, and completely eliminate the need for pre-heating.



### Forced Air

Seal in the taste. Thanks to the Forced Air technology, preheated air is circulated inside your Oven using an innovative convection system, giving you moist, juicy cooking results.



### Soft closing

Slow-motion closing. Thanks to slow-closing hinges, the oven door shuts effortlessly, with a soft and silent motion.



### WCollection aesthetic

A Masterpiece of Design. Whirlpool understands the importance of craftsmanship and carefully honed details. The timeless design of the W Collection complements any style of kitchen, while the matching appliances blend seamlessly with each other to create a sublimely eye-catching coordinated look. Even the gleaming finishes are engineered for easy cleaning, so fingerprints and smudges become a thing of the past. From the platinum chromed logo to the tinted glass and sophisticated edge-to-edge metal band, every detail has been designed to delight and enhance the overall Whirlpool experience.

# W7 OM4 4S1 P

12NC: 859991538900

GTIN (EAN) code: 8003437834363

**Whirlpool**

SENSING THE DIFFERENCE

## MAIN FEATURES

|                                       |              |
|---------------------------------------|--------------|
| Product group                         | Oven         |
| Commercial code                       | W7 OM4 4S1 P |
| Main colour of product                | Inox         |
| Construction type                     | Built-in     |
| Type of control                       | Electronic   |
| Type of control settings              | -            |
| Are any hobs controls integrated?     | No           |
| Which kind of hobs can be controlled? | -            |
| Automatic programmes                  | Yes          |
| Current (A)                           | 16           |
| Voltage (V)                           | 220-240      |
| Frequency (Hz)                        | 50/60        |
| Length of Electrical Supply Cord (cm) | 90           |
| Plug type                             | No           |
| Depth with open door 90 degree (mm)   | -            |
| Height of the product                 | 595          |
| Width of the product                  | 595          |
| Depth of the product                  | 564          |
| Minimum niche height                  | 0            |
| Minimum niche width                   | 0            |
| Niche depth                           | 0            |
| Net weight (kg)                       | 40.5         |
| Usable volume (of cavity)             | 73           |
| Integrated Cleaning system            | Pyrolytic    |
| Grids of the cavity                   | 2            |
| Trays                                 | 2            |

## TECHNICAL FEATURES

|   |                |
|---|----------------|
| Timer                                     | Yes            |
| Time control                              | Electronic     |
| Time-setting options                      | Start and Stop |
| Safety device                             | -              |
| Interior light                            | Yes            |
| Number of interior lights of the cavity   | 1              |
| Position of interior lights of the cavity | Rear           |
| Oven guides of the cavity                 | Telescopic     |
| Probe of the cavity                       | No             |

## PERFORMANCES

|   |             |
|---|-------------|
| Energy input  | Electric    |
| Type of energy of the cavity  | Electricity |
| Energy efficiency class - NEW (2010/30/EU)                            | A+          |
| Energy consumption per cycle conventional - NEW (2010/30/EU)          | 0.91        |
| Energy consumption per cycle forced air convection - NEW (2010/30/EU) | 0.70        |

**ENERG** Y UA  
енергия · ενεργεια IE 1A

**WHIRLPOOL** W7 OM4 4S1 P

**A+**

73 L

0.91 kWh/cycle\*

0.70 kWh/cycle\*

\* црна · siklus · portion · siklus · nolympayua · ciclo · tsükkel · ohjelma · ciklus · cikls · ciklu · cycles · cykl · ciclu · program · cykel

65/2014