

AKM332/IX

12NC: 857133201700

GTIN (EAN) code: 8003437331992

Whirlpool

SENSING THE DIFFERENCE



Whirlpool hob: 4 electric rings - AKM332/IX

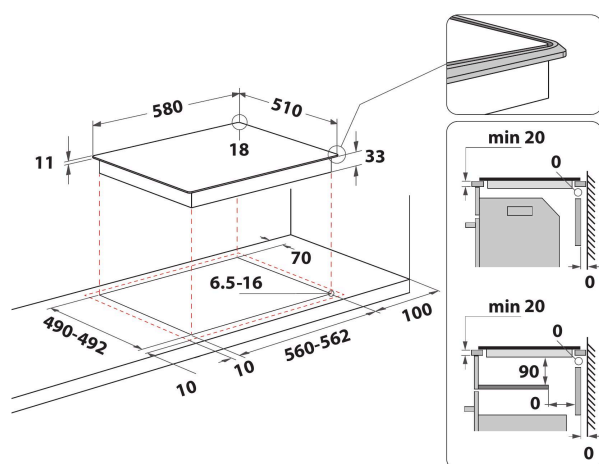
This Whirlpool Hob features: 4 electric rings. Electric power supply.

Stainless Steel

For the stylish modern look in your kitchen.

Lateral Controls

Practical design. Modern, beautiful and practical: the lateral controls of this Whirlpool Hob are designed to add an extra touch of style to your kitchen.



- Residual heat indicator
- Lateral controls
- 60 cm hob
- Mechanical control
- Inox Hob
- 1 Plate on Indicator
- Power on indicator
- 4 electric plates
- 4 Cooking zones: 1 Rapid 2000 W, 1 Normal 1000 W, 1 Rapid 2000 W, and 1 Normal 1000 W
- Dimensions HxWxD: 40x580x510 mm
- Niche dimensions HxWxD: 50x560x490 mm
- Electrical Connection Rating: 6000 W
- Voltage: 230 V

AKM332/IX

12NC: 857133201700

GTIN (EAN) code: 8003437331992

Whirlpool

SENSING THE DIFFERENCE

MAIN FEATURES

Product group	Hob
Construction type	Built-in
Type of control	Mechanical
Type of control settings	N/A
Number of gas burners	0
Number of electric cooking zones	4
Number of electric plates	4
Number of radiant plates	0
Number of halogen plates	0
Number of induction plates	0
Number of electric warming zones	0
Location of control panel	Lateral
Basic surface material	Inox
Main colour of product	Inox
Electrical connection rating (W)	6000
Gas connection rating (W)	0
Gas type	N/A
Current (A)	28,1
Voltage (V)	230
Frequency (Hz)	50
Length of Electrical Supply Cord (cm)	0
Plug type	No
Gas connection	N/A
Width of the product	580
Height of the product	40
Depth of the product	510
Minimum niche height	20
Minimum niche width	558
Niche depth	490
Net weight (kg)	9.5
Automatic programmes	No

TECHNICAL FEATURES

Power on indicator	Yes
Number of indicators	1
Type of regulation	Step energy regulated
Type of lid	Without
Residual heat indicator	Central
Main on/off switch	No
Safety device	Yes
Timer	No

PERFORMANCES

Energy input	Electric
--------------	----------