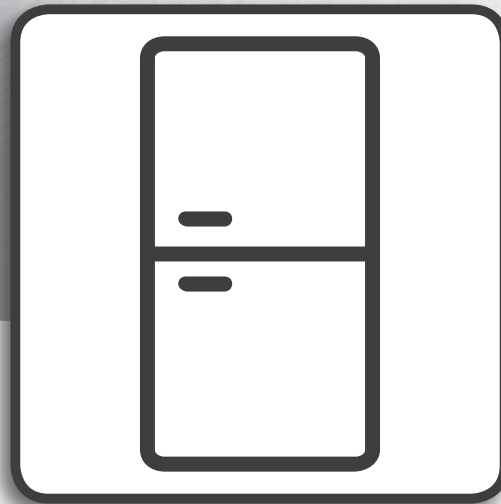




SENSING THE DIFFERENCE



Health & Safety, Use and Care and Installation guide



www.whirlpool.eu/register



ENGLISH3

ENGLISH

HEALTH & SAFETY, USE & CARE

and INSTALLATION GUIDES



THANK YOU FOR BUYING A WHIRLPOOL PRODUCT.

In order to receive a more complete assistance,
please register your appliance on www.whirlpool.eu/register

Index	
Health and Safety guide	
SAFETY INSTRUCTIONS	4
SAFEGUARDING THE ENVIRONMENT	6
DECLARATION OF CONFORMITY	6
Use and Care guide	
PRODUCT DESCRIPTION	8
APPLIANCE	8
CONTROL PANEL	9
DOOR	10
REFRIGERATOR LIGHT	10
SHELVES	10
FAN + ANTIBACTERIAL AIR FILTER	10
NO-FROST REFRIGERATOR COMPARTMENT	10
NO-FROST FREEZER COMPARTMENT	11
ACCESSORIES	11
HOW TO USE THE APPLIANCE	12
FIRST TIME USE	12
INSTALLATION	13
DAILY USE	13
FOOD-STORAGE TIPS	26
RECOMMENDATION IN CASE OF NO USE OF THE APPLIANCE	30
CLEANING AND MAINTENANCE	31
TROUBLESHOOTING GUIDE & AFTER-SALES SERVICE	32
FUNCTIONAL SOUNDS	32
TROUBLESHOOTING GUIDE	33
AFTER-SALES SERVICE	35
Installation guide	36

SAFETY INSTRUCTIONS

IMPORTANT TO BE READ AND OBSERVED

Before using the appliance read these safety instructions. Keep them for future reference. These instructions and the appliance itself provide important safety warnings, to be observed at all times. The manufacturer declines any liability for failure to observe these safety instructions, for inappropriate use of the appliance or incorrect setting of controls.

SAFETY WARNINGS

Very young (0-3 years) and young children (3-8 years) shall be kept away from the appliance unless continuously supervised. Children from 8 years old and above and persons with reduced physical, sensory or mental capabilities or lack of experience and knowledge can use this appliance only if they are supervised or have been given instructions on safe use and understand the hazards involved. Children must not play with the appliance. Cleaning and user maintenance must not be carried out by children without supervision.

PERMITTED USE

CAUTION: The appliance is not intended to be operated by means of an external timer or separate remote controlled system.

This appliance is solely for domestic, not professional use. Do not use the appliance outdoors.

Do not store explosive or flammable substances such as aerosol cans and do not place or use gasoline or other flammable materials in or near the appliance: a fire may break out if the appliance is inadvertently switched on.

This appliance is intended to be

used in household and similar applications such as:

- staff kitchen areas in shops, offices and other working environments;
- farm houses and by clients in hotels, motels and other residential type environments;
- bed and breakfast type environments;
- catering and similar non-retail applications.

The bulb used inside the appliance is specifically designed for domestic appliances and is not suitable for general room lighting within the home (EC Regulation 244/2009). The appliance is arranged for operation in places where the temperature comes within the following ranges, according to the climatic class given on the rating plate. The appliance may not work properly if it is left for a long time at a temperature outside the specified range.

Climatic Class Amb. T. (°C)

SN From 10 to 32

N From 16 to 32

ST From 16 to 38

T From 16 to 43

This appliance does not contain CFCs. The refrigerant circuit contains R600a (HC).

Appliances with Isobutane (R600a): isobutane is a natural gas without environmental impact, but is flammable. Therefore, make sure the refrigerant circuit pipes are not damaged. Keep special attention in case of damaged pipes emptying the refrigerant circuit.

WARNING: Do not damage the appliance refrigerant circuit pipes.

WARNING: Keep ventilation openings, in the appliance enclosure or in the built-in structure, clear of obstruction.

WARNING: Do not use mechanical, electric or chemical means other than those recommended by the Manufacturer to speed up the

defrost process.

WARNING: Do not use or place electrical devices inside the appliance compartments if they are not of the type expressly authorised by the Manufacturer.

WARNING: Ice makers and/or water dispensers not directly connected to the water supply must be filled with potable water only.

WARNING: Automatic ice-makers and/or water dispensers must be connected to a water supply that delivers potable water only, with main water pressure between 0,17 and 0,81 MPa (1,7 and 8,1 bar).

Do not swallow the contents (non-toxic) of the ice packs (in some models).

Do not eat ice cubes or ice lollies immediately after taking them out of the freezer since they may cause cold burns.

For products designed to use an air filter inside an accessible fan cover, the filter shall be always in position when the refrigerator is in function.

Do not store glass containers with liquids in the freezer compartment since they may break.

Do not obstruct the fan (if available) with food items. After placing the food check if the door of compartments closes properly, especially the freezer door.

Damaged gasket must be replaced as soon as possible.

Use the refrigerator compartment only for storing fresh food and the freezer compartment only for storing frozen food, freezing fresh food and making ice cubes.

Avoid storing unwrapped food in direct contact with internal surfaces of the refrigerator or freezer compartments.

Appliances could have special compartments (Fresh Food Compartment, Zero Degree Box,...). In case not differently

specified in the specific booklet of product, they can be removed, maintaining equivalent performances. C-Pentane is used as blowing agent in the insulation foam and it is a flammable gas.

INSTALLATION

The appliance must be handled and installed by two or more persons. Use protective gloves to unpack and install the appliance.

Installation and repairs must be carried out by a qualified technician, in compliance with the manufacturer's instructions and local safety regulations. Do not repair or replace any part of the appliance unless specifically stated in the user manual.

Children should not perform installation operations. Keep children away during installation. Keep the packaging materials (plastic bags, polystyrene parts, etc.) out of reach of children, during and after the installation.

Be careful not to damage the floors (e.g. parquet) when moving the appliance. Install the appliance on a floor or support strong enough to take its weight and in a place suitable for its size and use.

After unpacking the appliance, make sure that it has not been damaged during transport. In the event of problems, contact the dealer or your nearest After-sales Service.

The appliance must be disconnected from the power supply before any installation operation.

During installation, make sure the appliance does not damage the power cable.

To guarantee adequate ventilation, leave a space on both sides and above the appliance. The distance between the rear of the appliance and the wall behind the appliance should be 50mm, to avoid

access to hot surfaces. A reduction of this space will increase the Energy consumption of product. Only activate the appliance when the installation has been completed.

Wait at least two hours before switching the appliance on, to ensure that the refrigerant circuit is fully efficient. Make sure the appliance is not near a heat source.

ELECTRICAL WARNINGS

For installation to comply with current safety regulations, an omnipolar switch with minimum contact gap of 3 mm is required and the appliance must be earthed.

If the power cable is damaged, replace with an identical one.

The power cable must only be replaced by a qualified technician in compliance with the manufacturer instruction and current safety regulations. Contact an authorized service center.

If the fitted plug is not suitable for your socket outlet, contact a qualified technician.

The power cable must be long enough to connect the appliance, once fitted in its housing, to the main power supply. Do not pull the power supply cable.

Do not use extension leads, multiple sockets or adapters.

Do not operate this appliance if it has a damaged mains cord or plug, if it is not working properly, or if it has been damaged or dropped. Keep the cord away from hot surfaces.

The electrical components must not be accessible to the user after installation.

Do not touch the appliance with any wet part of the body and do not operate it when barefoot.

CLEANING AND MAINTENANCE

Never use steam cleaning equipment.

Wear protective gloves for cleaning and maintenance.

The appliance must be disconnected from the power supply before any maintenance operation.

Do not use abrasive or harsh cleaners such as window sprays, scouring cleansers, flammable fluids, cleaning waxes, concentrated detergents, bleaches or cleansers containing petroleum products on plastic parts, interior and door liners or gaskets. Do not use paper towels, scouring pads, or other harsh cleaning tools.

SAFEGUARDING THE ENVIRONMENT

DISPOSAL OF PACKAGING MATERIALS

The packaging material is 100% recyclable and is marked with the recycle symbol.

The various parts of the packaging must therefore be disposed of responsibly and in full compliance with local authority regulations governing waste disposal.

SCRAPPING OF HOUSEHOLD APPLIANCES

When scrapping the appliance, make it unusable by cutting off the power cable and removing the doors and shelves (if present) so that children cannot easily climb inside and become trapped.

This appliance is manufactured with recyclable or reusable materials. Dispose of it in accordance with local waste disposal regulations.

For further information on the treatment, recovery and recycling of household electrical appliances, contact your competent local authority, the collection service for household waste or the store where you purchase the appliance.

This appliance is marked in compliance with European Directive 2012/19/EU, Waste Electrical and Electronic Equipment (WEEE).

By ensuring this product is disposed of correctly, you will help prevent potential negative consequences for

the environment and human health, which could otherwise be caused by inappropriate waste handling of this product.



The symbol on the product or on the accompanying documentation indicates that it should not be treated as domestic waste but must be taken to an appropriate collection center for the recycling of electrical and electronic equipment.

ENERGY SAVING TIPS

Install the appliance in a dry, well ventilated room far away from any heat source (eg. radiator, cooker, etc.) and in place not exposed directly to the sun. If required, use an insulating plate.

To guarantee adequate ventilation follow installation instructions. Insufficient ventilation on back of the product increases energy consumption and decreases cooling efficiency.

Frequent door opening might cause an increase in Energy consumption. The internal temperatures of the appliance and the Energy Consumption may be affected by the ambient temperature, frequency of door opening, as well as location of the appliance. Temperature setting should take into consideration these factors.

Reduce to a minimum door opening.

When thawing frozen food, place them in the refrigerator. The low temperature of the frozen products cools the food in the refrigerator. Allow warm food and drinks to cool down before placing in the appliance. Positioning of the shelves in the refrigerator has no impact on the efficient usage of energy. Food should be placed on the shelves in such way to ensure proper air circulation (food should not touch each other and distance between food and rear wall should be kept).

You can increase storage capacity of frozen food by removing baskets and, if present, Stop Frost shelves, maintaining an equivalent energy consumption.

High energy class products are fitted with high efficiency motors that remain operational for longer, but have a low power consumption. Do not worry if the engine continues to run for longer periods.

DECLARATION OF CONFORMITY

This appliance has been designed, constructed and distributed in compliance with the requirements of European Directives: LVD 2014/35/EU, EMC 2014/30/EU and RoHS 2011/65/EU.

This appliance has been designed, constructed and distributed in compliance with the Ecodesign and energy Labeling Requirements of EC Directives: 2009/125/EC and 2010/30/EU.

The following statements refer to the portions of this software based in part on FreeRTOS v7.0.2, <http://www.freertos.org>. The use of this software is governed by the terms of GNU General Public License v. 2, which is available at: <http://www.gnu.org/licenses/gpl-2.0.html>. A copy of the source code may be obtained by written request for the software by name to opensource@whirlpool.com, along with the address for delivery.

The following statements refer to those portions of the software copyrighted by Eclipse Foundation, Inc.
Copyright (c) 2007, Eclipse Foundation, Inc. and its licensors.

All rights reserved.

Redistribution and use in source and binary forms, with or without modification, are permitted provided that the following conditions are met:

- Redistributions of source code must retain the above copyright notice, this list of conditions and the following disclaimer.
- Redistributions in binary form must reproduce the above copyright notice, this list of conditions and the following disclaimer in the documentation and/or other materials provided with the distribution.
- Neither the name of the Eclipse Foundation, Inc. nor the names of its contributors may be used to endorse or promote products derived from this software without specific prior written permission.

THIS SOFTWARE IS PROVIDED BY THE COPYRIGHT HOLDERS AND CONTRIBUTORS "AS IS" AND ANY EXPRESS OR IMPLIED WARRANTIES, INCLUDING, BUT NOT LIMITED TO, THE IMPLIED WARRANTIES OF MERCHANTABILITY AND FITNESS FOR A PARTICULAR PURPOSE ARE DISCLAIMED. IN NO EVENT SHALL THE COPYRIGHT OWNER OR CONTRIBUTORS BE LIABLE FOR ANY DIRECT, INDIRECT, INCIDENTAL, SPECIAL, EXEMPLARY, OR CONSEQUENTIAL DAMAGES (INCLUDING, BUT NOT LIMITED TO, PROCUREMENT OF SUBSTITUTE GOODS OR SERVICES; LOSS OF USE, DATA, OR PROFITS; OR BUSINESS INTERRUPTION) HOWEVER CAUSED AND ON ANY THEORY OF LIABILITY, WHETHER IN CONTRACT, STRICT LIABILITY, OR TORT (INCLUDING NEGLIGENCE OR OTHERWISE) ARISING IN ANY WAY OUT OF THE USE OF THIS SOFTWARE, EVEN IF ADVISED OF THE POSSIBILITY OF SUCH DAMAGE.

Portions of this software are copyright (c) Sawtooth Consulting Ltd. 2006-2015 All rights reserved.

Portions of this software are copyright (c) Arrayent, Inc. 2015 All rights reserved.

The following statements refer to those portions of the software copyrighted by Swedish Institute of Computer Science.
Copyright (c) 2001-2004 Swedish Institute of Computer Science.

All rights reserved.

Redistribution and use in source and binary forms, with or without modification, are permitted provided that the following conditions are met:

1. Redistributions of source code must retain the above copyright notice, this list of conditions and the following disclaimer.
2. Redistributions in binary form must reproduce the above copyright notice, this list of conditions and the following disclaimer in the documentation and/or other materials provided with the distribution.
3. The name of the author may not be used to endorse or promote products derived from this software without specific prior written permission.

THIS SOFTWARE IS PROVIDED BY THE AUTHOR "AS IS" AND ANY EXPRESS OR IMPLIED WARRANTIES, INCLUDING, BUT NOT LIMITED TO, THE IMPLIED WARRANTIES OF MERCHANTABILITY AND FITNESS FOR A PARTICULAR PURPOSE ARE DISCLAIMED. IN NO EVENT SHALL THE AUTHOR BE LIABLE FOR ANY DIRECT, INDIRECT, INCIDENTAL, SPECIAL, EXEMPLARY, OR CONSEQUENTIAL DAMAGES (INCLUDING, BUT NOT LIMITED TO, PROCUREMENT OF SUBSTITUTE GOODS OR SERVICES; LOSS OF USE, DATA, OR PROFITS; OR BUSINESS INTERRUPTION) HOWEVER CAUSED AND ON ANY THEORY OF LIABILITY, WHETHER IN CONTRACT, STRICT LIABILITY, OR TORT (INCLUDING NEGLIGENCE OR OTHERWISE) ARISING IN ANY WAY OUT OF THE USE OF THIS SOFTWARE, EVEN IF ADVISED OF THE POSSIBILITY OF SUCH DAMAGE.

The following statements refer to those portions of the software copyrighted by Marvell International Ltd.

Copyright (c) Marvell International Ltd.

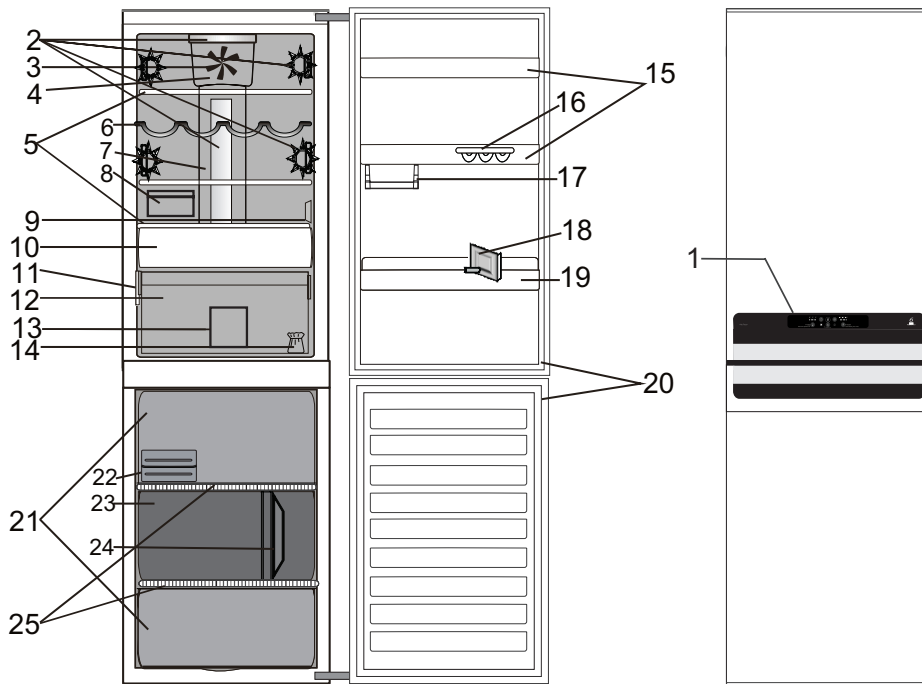
All rights reserved.

DISCLAIMER. THIS SOFTWARE IS PROVIDED BY THE COPYRIGHT HOLDERS AND CONTRIBUTORS "AS IS" AND ANY EXPRESS OR IMPLIED WARRANTIES, INCLUDING, BUT NOT LIMITED TO, THE IMPLIED WARRANTIES OF MERCHANTABILITY AND FITNESS FOR A PARTICULAR PURPOSE ARE DISCLAIMED. IN NO EVENT SHALL THE COPYRIGHT OWNER OR CONTRIBUTORS BE LIABLE FOR ANY DIRECT, INDIRECT, INCIDENTAL, SPECIAL, EXEMPLARY, OR CONSEQUENTIAL DAMAGES (INCLUDING, BUT NOT LIMITED TO, PROCUREMENT OF SUBSTITUTE GOODS OR SERVICES; LOSS OF USE, DATA, OR PROFITS; OR BUSINESS INTERRUPTION) HOWEVER CAUSED AND ON ANY THEORY OF LIABILITY, WHETHER IN CONTRACT, STRICT LIABILITY, OR TORT

(INCLUDING NEGLIGENCE OR OTHERWISE) ARISING IN ANY WAY OUT OF THE USE OF THIS SOFTWARE, EVEN IF ADVISED OF THE POSSIBILITY OF SUCH DAMAGE.

PRODUCT DESCRIPTION

APPLIANCE



1. Control panel

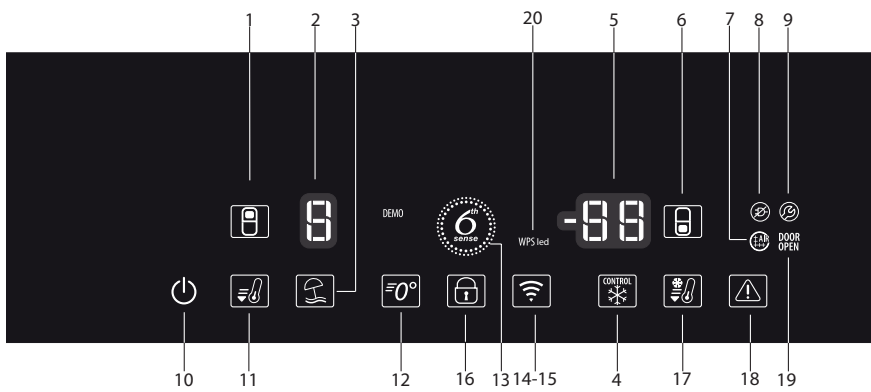
Refrigerator compartment

- 2. LED lighting
- 3. Fan
- 4. Fan cover and antibacterial filter area
- 5. Shelves
- 6. Bottle rack
- 7. Multi-flow cold air area
- 8. Cheese box + Lid
- 9. Sensor cover
- 10. Active 0° compartment (to keep foods fresher for longer)
- 11. Rating plate with commercial name
- 12. Fruits and vegetables crisper
- 13. Fridge drawer divider
- 14. Door reversibility kit
- 15. Door trays
- 16. Egg tray
- 17. Small items half balcony
- 18. Bottle separator
- 19. Bottle balcony
- 20. Door seal

Freezer compartment

- 20. Door seals
- 21. Freezer drawers
- 22. Quick Ice / Eutetic
- 23. Middle drawer: coolest zone best for freezing fresh food
- 24. Freezer drawer divider
- 25. Shelves

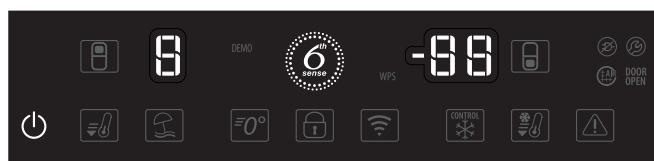
CONTROL PANEL



1. FRIDGE TEMPERATURE button/indicator
2. FRIDGE TEMPERATURE DISPLAY (°C)
3. VACATION MODE BUTTON
4. FREEZE CONTROL BUTTON
5. FREEZER TEMPERATURE DISPLAY (°C)
6. FREEZER TEMPERATURE button
7. ANTIBACTERIAL AIR FILTER alarm indicator
8. BLACK-OUT ALARM indicator
9. MALFUNCTION ALARM indicator
10. ON/STAND-BY button/indicator
11. FAST COOL button/indicator
12. ACTIVE 0 button/indicator
13. 6TH SENSE FRESH CONTROL indicator
14. CONNECTION STATE indicator
15. CONNECTIVITY button
16. KEY LOCK button/indicator
17. FAST FREEZE button/indicator
18. STOP ALARM button/indicator
19. DOOR OPEN ALARM indicator
20. WPS indicator

This control panel has an innovative technology that will drive you are setting your fridge. When an option or a function is activated the indicator is fully lit on; when a option is available but not selected is partially lit on.

NOTE: when you are setting temperature or interacting with the control panel, all the buttons are switched on. when you are not using the control panel, in order to save energy it will show you only the relevant information (the temperature set, the activated options).



Every time you want to use the control panel and see all the functions, you just need to touch any button to wake up the panel.

DOOR

DOOR REVERSIBILITY

Note: The direction of door opening can be changed. If this operation is performed by After-sales Service it is not covered by the warranty. It is recommended to reverse door swing by two persons. Follow instruction in **Installation Guide**.

REFRIGERATOR LIGHT

The light system inside the fridge compartment uses LEDs light, allowing a better lighting as well as very low energy consumption. If the LED light system does not work, please contact the Service to replace it.

Important: The refrigerator compartment light switches on when the refrigerator door is opened. If the door is kept open for more than 10 minutes the light will be automatically switched off.

SHELVES

All shelves, flaps and pull-out baskets are removable.

FAN + ANTIBACTERIAL AIR FILTER

The Fan improves temperature distribution inside the product, allowing better preservation of stored food. Note: Do not obstruct the air intake area with food items.

If the appliance has the Fan it can be equipped with the antibacterial filter.

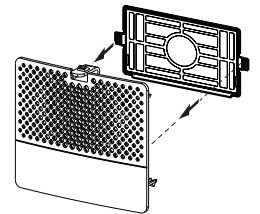
Remove it from the box placed in the crisper drawer and insert into the fan cover - as in the picture.

The replacement procedure is included in the filter box.

The air filter symbol is lit on to indicates that it is expired and need to be replaced. The filter expires in 6 months. The User Interface gives a visual feedback,

without acoustic alarm. On text display show message "Replace air filter".

After replaced the filter, press Stop Alarm button to reset message on the text display/antibacterial air filter indicator.



NO-FROST REFRIGERATOR COMPARTMENT

Refrigerator compartment defrosting is completely automatic.

The defrost water is automatically run into a drain hole hidden behind Multi-flow and collected in a container, where it evaporates.

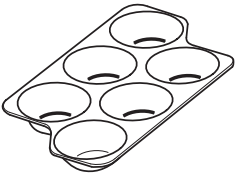
NO-FROST FREEZER COMPARTMENT

No Frost freezers provide chilled air circulation around the storage areas, and prevent the formation of ice, thereby completely eliminating the need for defrosting.

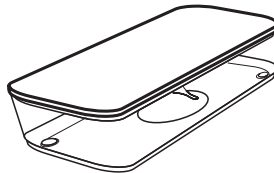
Frozen items don't stick to the walls, labeling stays legible and storage space remains neat and clear.

ACCESSORIES

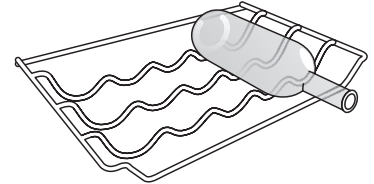
EGG TRAY



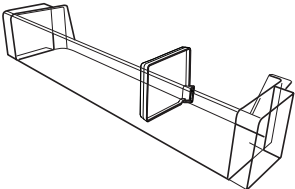
CHEESE BOX



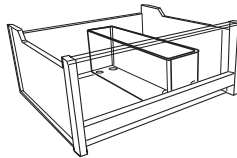
BOTTLE RACK



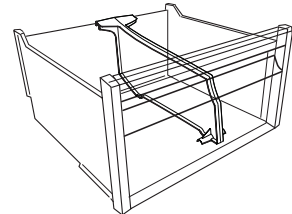
BOTTLE SEPARATOR



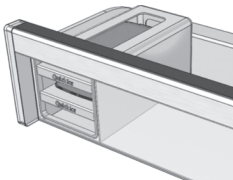
FREEZER DRAWER DIVIDER



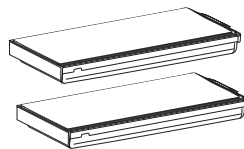
FRIDGE DRAWER DIVIDER



QUICK ICE COMPARTMENT



EUTETICS/QUICK ICE TRAYS



HOW TO USE THE APPLIANCE

FIRST TIME USE

HOW TO START THE APPLIANCE

After plugging in the appliance to the mains, press the On/Standby button to switch on. When switched on for the first time, the default value settings are displayed for refrigerator (5 °C) and for Freezer compartment (-18°C).

After starting the appliance, wait at least 4-6 hours before placing food into the appliance. The default (factory) values of the fridge compartment settings light-up.

CONNECTIVITY PRE-REQUISITE

When the refrigerator is connected to Internet, You can always monitor and operate remotely the appliance.

To use this feature You need to own:

- a smart phone running Android 4.3 (or higher) with a 1280x720 (or higher) screen or a tablet or a smart phone running iOS 8 (or higher);
- a wireless router 2.4Ghz WiFi b/g/n connected to internet (verify with your smart device that the signal strength of your home wireless network close to the appliance is good).


Important in order to use App, You have to :

- Own a IOS device (Ipad/Iphone) or Android (Smartphone)
- Download the free "LIVE" app from the reference App store or Google play of your smart device and install it on your device.
- Subscribe (legal terms) to the service to be able to benefit of the features provided through the app.
- Register your refrigerator and connect it to your home wireless network.

Find detailed information on connectivity setup in the App.

TEMPERATURE SETTING

FRIDGE TEMPERATURE

To adjust the Fridge Temperature, press the Fridge °C button . The Fridge Temperature can be adjusted between +2°C and + 8°C, as shown by the Fridge Temperature Display (°C).

FREEZER TEMPERATURE

To adjust the Freezer Temperature, press the Freezer °C button . The Freezer Temperature can be adjusted between -16°C and -24°C, as shown by the Freezer Temperature Display (°C).

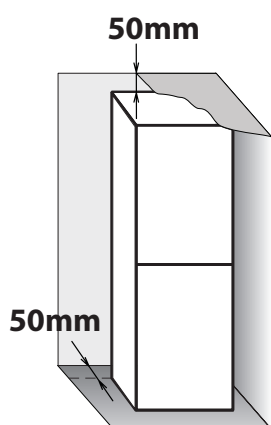
INSTALLATION

INSTALLING SINGLE APPLIANCE

To guarantee adequate ventilation, leave a space on both sides and above the appliance.

The distance between the rear of the appliance and the wall behind the appliance should be at least 50mm.

A reduction of this space will increase the Energy consumption of product.



DAILY USE

HOW TO INCREASE FREEZER STORAGE CAPACITY

- removing the baskets to allow the storage of big products.
 - placing the food products directly on the freezer shelves.
 - removing additional removable accessories.
-
- Do not block the air outlet area (on the back wall and on the bottom inside the product) with food products.
 - All shelves and pull-out baskets are removable.
-
- The internal temperatures of the appliance may be affected by the ambient temperature, frequency of door opening, as well as location of the appliance. Temperature setting should take into consideration these factors.
 - Unless otherwise specified the appliance accessories are not dishwasher safe.

FUNCTIONS

ON/STANDBY



This function turns On/Stand-by the refrigerator. To put the product in Stand-by, **press & hold the On/Stand-by button for 3 seconds.**

All the indicators turn off except On/Stand-by icon back light to indicate that the appliance is in Stand-by.

When the appliance is in Stand-by, the light inside the refrigerator compartment does not work. Remember that this operation does not disconnect the appliance from the power supply. To switch the appliance On again, simply press and hold for 3 seconds the On/Stand-By button.

SMART DISPLAY

This optional function can be used to save energy. Please follow the instructions contained in the Daily Reference Guide to activate/deactivate the function.

After activation of the Smart Display, the display goes off, except the 6th Sense Fresh Control indicator. If Smart Display is active – to adjust the temperature or use other functions, it is necessary to activate the display by pressing any button.

After about 15 seconds without performing any action, the display goes off again and only the 6th Sense Fresh Control indicator remains visible.

When function is deactivated the normal display is restored. The Smart Display is automatically disabled after a power failure.

Remember that this function does not disconnect the appliance from the power supply, but only reduces the power consumed by external display. Note: The declared appliance energy consumption refers to operation with the Smart Display function activated.

6TH SENSE FRESH CONTROL

This function automatically works to ensure the optimal conditions to preserve the stored food. If there are any variations, 6th Sense Fresh Control immediately restores the ideal conditions.

Results are outstanding: freshness preserved at best throughout the fridge cavity up to 4 times longer.

FAST COOL

The use of this function is recommended when placing a very high quantity of food in the refrigerator compartment.

The use of this function is recommended when placing a very high quantity of food in the refrigerator compartment.

Attention:

- **Incompatibility with the "Vacation" function**

To guarantee optimal performance, the "Vacation" and "Fast Cool" functions cannot be used at the same time.

Therefore, if the "Vacation" function has been already engaged, it has to be disengaged first to activate the "Fast Cool" function (and vice-versa).

FAST FREEZE 

The use of this function is recommended when placing a very high quantity of food to be frozen in the freezer compartment. 24 hours before freezing fresh food, press the Freezer button to activate the Fast Freeze function. When activated,

the Fast Freeze indicator turns on. After 24 hours place the food to be frozen in the middle freezing zone of freezer compartment. The function is automatically disabled after 48 hours, or can be manually disabled by pressing Fast Freeze button.

VACATION MODE

This function can be activated to reduce the energy consumption of the appliance during a prolonged period of time.

Before activating the feature, all perishable food should be removed from the refrigeration compartment and make sure that the door is closed properly, since the refrigerator will maintain a suitable temperature to prevent the formation of unpleasant odors (+12°C).

To activate/deactivate press and hold for 3 seconds the Vacation mode button. When the function is enabled, the related symbol will light up. Changing the temperature setpoint will automatically deactivate the function. The freezer compartment works properly.

Attention:

- **Incompatibility with the "Fast Cool" function**

To guarantee optimal performance, the "Vacation" and "Fast Cool" functions cannot be used at the same time. Therefore, if the "Fast Cool" function has been already engaged, it has to be disengaged first to activate the "Vacation" function (and vice-versa).

KEY LOCK 

This function prevents anyone from inadvertently changing settings or switching off the appliance. To lock the keys, press Key Lock button for 3 seconds until the display shows the Key Lock indicator and an acoustic signal confirms the function has been selected.

After 3 seconds

Key Lock indicator goes off.

When activated, pressing the other buttons (except Key Lock button) activates an audible signal and on display flashes the Key Lock indicator.

Any alarm can be deactivated when Key Lock function is active.

To unlock the keys, follow the same procedure until the display shows the Key Lock indicator and an acoustic signal confirms the function has been disengaged.

FREEZE CONTROL



Freeze Control is an advanced technology that reduces temperature fluctuations in the whole freezer compartment to minimum, thanks to an innovative air system, totally independent from the fridge. Freeze burns are reduced up to 60% and food preserves its original quality and color. To activate/deactivate the Freeze Control function simply press FREEZE CONTROL button.

The function works properly in a defined range of temperature: between -22°C and -24°C. When the function is engaged and the current temperature in the freezer is set to the warmer set point than -22°C, the temperature is automatically set to -22°C to match the working range.

If the function is engaged and the user modify the freezer temperature out of the working range, the function is automatically switched off. In case of Fast freezing is engaged, the function "Freeze control" is inhibited until the Fast Freezing function switched off.

BLACK OUT ALARM



After a power blackout, your product is designed to automatically monitor the temperature in the freezer when electricity is resupplied. If the temperature in the freezer rises above freezing level, the Black Out icon lit the Alarm indicator blinks and the acoustical alarm sounds when electricity is re-supplied. To reset the alarm press the Reset Alarm button just once.

In case of Black Out Alarm, the following actions are recommended:

- If the food in the freezer is unfrozen but still cold, all the food in the freezer should be moved to the fridge compartment and eaten within the next 24 hours.
- If the food in the freezer is frozen, this indicates the food was thawed and then refrozen when electricity was re-supplied which degrades taste,

quality and nutritional value and also could be unsafe. It is recommended to not consume the food but to dispose of the entire content of the freezer.

The Black Out Alarm is designed to provide guidance on food quality in the freezer in the event of electricity black out.

This system does not guarantee food quality or safety and consumers are advised to use their own judgment in evaluating food quality in freezer and refrigerator compartments.

OVER TEMPERATURE ALARM

The alarm is activated when:

- The appliance is connected to the power supply after prolonged disuse.
- The freezer compartment temperature is too high.
- The quantity of foods loaded into the freezer exceeds that indicated on the rating plate.
- The freezer door has been left open for a long time.
- To mute the alarm buzzer press Stop button just once.

- The Alarm indicator is automatically turned-off as soon as the freezer compartment reaches a temperature below -10°C and the Alarm indicator turns off.

DOOR OPEN ALARM

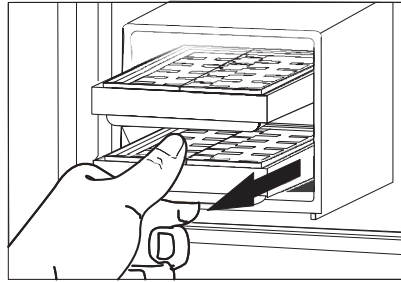


The Door Open Alarm is activated when the door is left open for more than 2 minutes.

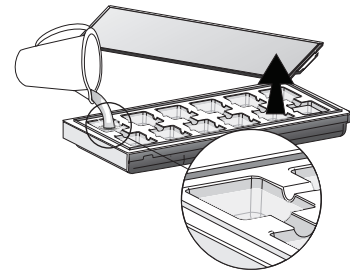
Close the door or press the Stop Alarm to mute the acoustical alarm.

QUICK ICE**HOW TO MAKE ICE CUBES**

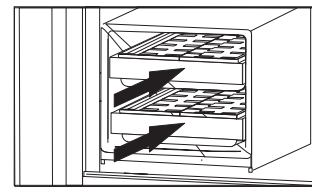
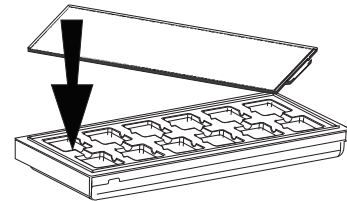
Put the empty ice cube trays into the freezer 24 hours before using the Quick Ice feature to cool them down. To achieve the best performance of the Quick Ice trays it is recommended to keep them permanently in the freezer and maintain temperature setting at -18°C or colder. Remove a Quick Ice tray by pulling it towards you.



Remove the cover and fill the tray with potable water (maximum level = $2/3$ of the overall capacity of the tray).



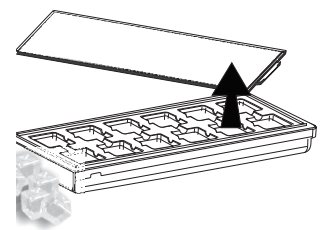
Insert the cover back into the tray and insert it back into the dedicated slots in the top freezer drawer. Take care not to spill water.



Wait at least 30 minutes until the ice cubes are formed (this time can be slightly longer if the trays are used immediately after the first use).

HOW TO TAKE ICE CUBES

When ice is ready please open the cover and remove cubes.



ACTIVE 0 COMPARTMENT

The Active 0 compartment is specifically designed to maintain a low temperature and a suitable humidity level, in order to keep foods fresher for longer (e.g. meat, fish, fruit and winter vegetables).

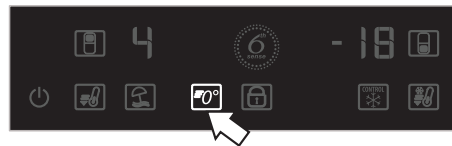
ACTIVATING AND DEACTIVATING THE COMPARTMENT

To activate/deactivate the Active 0 compartment, press the dedicated button on the control panel (indicator in the figure below).

Active 0 compartment off:
button partially lighted



Active 0 compartment ON:
button fully lighted



When activated, the lighting bar on the Active 0 compartment lights up. The temperature inside the compartment/drawer, when active, is approximately 0 degrees.

The following factors are vital for the compartment to work properly:

- the temperature of the refrigerator compartment must be switched between +2 °C and +4°C.
- the compartment must be inserted to enable activation
- no special function must have been selected (as Standby, Vacation mode – where applicable).

If one of these special functions has been selected, the fresh food inside the Active0 compartment should be removed.

Note:

- if the lighting bar and symbol does not light up but the the symbol blinks when the box is being activated, check that the box is properly inserted; When the drawer is inserted, the function is able to activate again after few seconds by simple pressing the button. if the problem persists, contact your nearest authorized After-sales Service
- if the Active 0 compartment is active and the drawer is open, more than 2 minutes, the function is deactivated automatically.

After the drawer is inserted, the function is able to activate again after few seconds by simple pressing the button.

- irrespective of the state of the box, a slight noise may be heard: this is normal and is not a cause for concern.
- when the box is not active, the temperature inside it depends on the general temperature inside the refrigerator compartment.

In this case, we recommend it is used to store fruit and vegetables which are not sensitive to cold temperatures (fruits of the forest, apples, apricots, carrots, spinach, lettuce, etc.).

Important: when the function is activated and there are foodstuffs with a high water content, condensation may form on shelves.

Attention:

- **Incompatibility with the "Vacation" function**

To guarantee optimal performance, the "Vacation" and "Active 0" functions cannot be used at the same time.

Therefore, if the "Vacation" function has been already engaged, it has to be disengaged first to activate the "Active 0" function (and viceversa).

REMOVING THE ACTIVE 0 COMPARTMENT

The Active 0 compartment can be removed to create more space inside the refrigerator. In this case proceed as follows:

- switch off the compartment
- pull out the drawer
- pull out the glass shelf below Active 0
- remove the white plastic insulation form the glass shelf
- put back the glass shelf.

Note: the upper shelf and the side supports cannot be removed.

To restore Active 0 compartment box operation, make sure you .replace the white plastic shelf underneath the box (with the glass shelf assembled into the plastic) before inserting the drawer and reactivating the function. The Active 0 compartment satisfies the requirements of a chill compartment according to EN 62552. Clean the compartment and all its parts regularly, using a cloth and a solution of warm water and neutral detergent specifically formulated for refrigerator interiors (take care not to immerse the white plastic shelf underneath the compartment in water).

Before cleaning the box (including the outside), remove the drawer so as to disconnect the box from the electricity supply.

Never use abrasive detergents.



LIVE APPLICATION REMOTE CONTROL /SET UP PROCEDURE

The LIVE feature allows to operate and supervise the refrigerator remotely by external device.
To enable the appliance to be remotely controlled, you first have to complete successfully the connectivity set up process.
This process is necessary to register your refrigerator and connect to your home network.

The set up procedure has to be carried out only once. You have to carry it out again if you change your router set up prosperities (network name or password).

BEFORE STARTING THE SET UP PROCESS

1. To use this feature You need to own:
 - a smart phone running Android 4.3 (or higher) with a 1280x720 (or higher) screen or a tablet or a smart phone running iOS 8 (or higher);
 - a wireless router 2.4Ghz WiFi b/g/n connected to internet (verify with your smart device that the signal strength of your home wireless network close to the appliance is good).
2. Download & Install the free application: LIVE on your Android smart-phone or iPad/iPhone from the store. The App will guide you, step by step, through the installation process.
3. If You do not have an account already, create one and subscribe (legal terms) to service to be able to benefit the features provided through the app.
4. Register your refrigerator following the App instructions. For the registration process You will need the **Smart Appliance Identifier (SAID)** number, sticker inside fridge door compartment between bottom and middle balcony.

The SAID is composed by 13 numbers and letters.



You can take a note of your appliance SAID here:
SAID
... ..

- Before starting the installation process turn on your router and verify that the wireless signal of your home router is reaching the appliance. Use a PC or Tablet or Smart-phone connected only to the Wi-Fi router and disable any other data connections. Place the device close to the appliance and open any internet web page in a browser and check that it is downloaded fast correctly. If the internet connection of your home is working correctly but the page is not downloaded, you may need to install a Wi-Fi extender device (not provided with the appliance).
- If your router supports WPS 2.0 (or gather), follow the automatic set up procedure to connect your appliance to router. If your router is not supported by WPS, follow the manual setup procedure.

Follow the instructions on application installed in your smartphone to install the appliance to your wifi network. Otherwise read the next paragraphs for automatic or manual installation.

**AUTOMATIC SETUP
INSTRUCTION (first time
use) – WPS method**

*This procedure is
applicable only if your
router supports WPS2.0 (or
greater)*

1. On your Smart Appliance:
 - press the Connectivity button  by 3 sec, This activate provisioning process. The appliance is being set to a "search" mode for a local network. On User Interface switch on icon WPS.
 - The Connectivity button starts fast blinking .
2. On wireless router press the WPS button  to make a connections between two products. An indicator light on your router will begin blinking.
3. When the appliance will successfully connect to the local router, you will see on the Connectivity button starts blink slowly, means connection to the router is OK. WPS icon switch off.
4. The appliance try to connect to Backend system. Connectivity button becomes steady.

If your appliance doesn't connect

If the fridge fails to find the connections to home network using WPS, the WPS icon on appliance interface switch OFF.

Appliance will go to "Micro Access Point mode" It will be activated and will look for a signal for 20 minutes.

This will be indicated on the appliance interface by decreased luminous of connectivity button.

If this happens, use the MANUAL SETUP INSTRUCTION.

NOTE:

If an invalid feedback is received from the router/ backend or connection timeout happens the appliance show on User Interface latest selected temperatures of both cavity.

During Micro AP mode is allowed to repeat WPS process.

MANUAL SETUP INSTRUCTION (first time use) - uAccess Point method

This procedure uses the Micro Access Point technology and is applicable if Your router doesn't support WPS

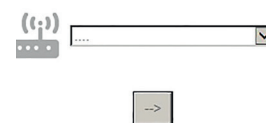
1. Before starting the setup procedure please take note of the home wireless network name (SSID), its PASSWORD and the SAID of refrigerator. They will be required during the installation process.
2. Turn ON your router and make sure the Internet connections is working.
3. On your Smart Appliance:
 - connectivity button is luminous, means to your appliance is in Access Point mode, otherwise repeat "Set up" process as described in point "Automatic Setup" of WPS method
4. Turn ON your smart device, access your wireless network settings and view the list of available wireless networks.
5. Select your appliance from the list of wireless network. The refrigerator will create a wireless network (SSID). The network name is made up of the prefix "WP_" followed by the MAC address (ex. WP_88_A1_23_B3_66_C3). You may need to refresh the list of networks.
6. Once you have selected the SSID, password will required. Use the SAID (see "Before starting the set up process", point 3) as a network (ex. WPR 444441ABCD), but removing the first 3 chars.

SAID

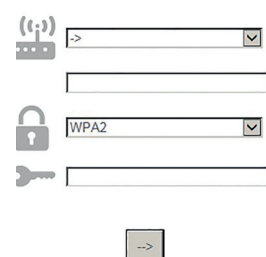
... .. X. X. X.

Note: This passphrase is case sensitive. Then connect to the network.
7. Wait until your device confirm to be connected to WP network.

8. Open a web browser. If nothing appears, type "192.168.10.1" in the address bar (URL) and press Enter. The browser display a SMART web page. It is configuration page of the WiFi radio of your refrigerator.
9. In the drop down list of available networks, select the name of your home wireless network.



10. If home wireless network is hidden, select "Other" (->) and manually enter its name (SSID) and security protocol. Enter passphrase for your home wireless network, if required, and submit. Remember this kind of password are case sensitive.



11. Click "Submit" and wait for 15 seconds.
12. The CONNECTION STATE indicator should stop blinking and turn ON permanently. Otherwise, disconnect and reconnect appliance to main power and repeat procedure.
13. The setup process is complete.


SWITCH OFF Wi-Fi feature – When appliance is provisioned, user can disengage this function by press once connectivity button. This button remain active with reduced brightness.

SWITCH ON Wi-Fi feature – To engage connectivity again user press once connectivity button. This button solid ON with normal brightness.

RESET PROCEDURE

The reset procedure has to be carried out if you change the router setup properties (network name and password) or if the refrigerator is not able to connect to the cloud.

On your Smart Appliance:

- press connectivity button  by 3 sec.
- If you want to use Live feature again you have to repeat the setup procedure.


LIVE REMOTE CONTROL /DAILY USE

The Remote Control mode allows to operate and supervise the refrigerator by smart device.

1. Make sure the Your router is ON and connected to the Internet
 2. Make sure the Connection State indicator status is solid
 3. Use the Whirlpool App to control the appliance by remote, so You can ;
- check your fridge and activate options also when you are out of home

- manage of food inventory and shopping list, receiving notification about food expiring
- access additional functions as for instance the smart party mode
- optimize energy consumptions leveraging the best energy tariff
- access further information on best use of your fridge and suggestions for best preservation
- receive feedback about fridge status in case of alarms

QUICK IDENTIFICATION OF CONNECTION STATE ON APPLIANCE'S

Connection State indicator's 	Connection descriptions
blinks fast	Appliance searching connection to router
blinks slowly	Appliance is connected with router but it is not able to connect server (for example ADSL not working)
ON solid	Appliance is connected to server and server recognize the appliance

TROUBLESHOOTING

Are there any differences between using a smart phone (or a tablet) with Android or iOS?	You can use the operating system you prefer, there are no differences.	
Which WiFi protocols are supported?	WiFi radio installed supports WiFi b/g/n for European countries.	
Which Version of WPS is supported?	Appliance supports from WPS 2.0 or greater, please check the router documentation.	
What settings/configuration has to be set on router software?	Main router settings all requested:	<ol style="list-style-type: none"> 1. 2.4 GHz enabled, WiFi b/g/n 2. DHCP and NAT activated
Is there the possibility to use Tethering over a mobile 3G instead of a router?	Yes, but cloud services are designed for continuous connected devices.	
How can I verify that my home Internet connection works and that wireless functionality is on?	You can search for your network either with your tablet or with your smartphone and/or computer –if the network is visible- check if the connection work.	Remember to disable any other data connections (i.e the one of your mobile phone) before trying.
How can I find out my wireless NETWORK name and password?	See Customer Router documentation. Suggestions: Sometime using "http://IP number" of the router the customer can access to the router setup from a connected device.	A router label usually reports login information to reach the device setup page using a connected device (PC or iPad or tablet).
What to do if the WiFi canal is used from the neighborhood?	The router decides the channel used for home WiFi (see Router manual) and force router to use the wished channel.	
How do I verify that wireless functionality on the appliance is on?	Verify the status light is stable ON. Using your smart device , check out the Live app if the appliance network is visible and connected to the cloud.	

How much is the distance from router to the appl. (one room / two room)?

Normally the coverage is for few rooms but WiFi signal is strongly dependent to wall materials.

- If radio refrigerator is de-provisioned, customer can check connection strength with iPad (or other Wireless HAN devices) close to appliance (for example specific software tools downloadable from internet to check signal strength).

Is there anything that can prevent the signal to reach the appliance?

- Verify to don't have connected some devices using together all the internet bandwidth and make sure that all the internet home devices don't overcome the router max limit device connected.

What can I do if my wireless connections does not reach the refrigerator?

- You can use specific devices to extend the home WiFi coverage as: Access Point, WiFi repeaters and Power-line bridge (not provided with refrigerator).

I changed the router, what do I have to do?

You can either maintain the same set up properties (network name and password) or erase the previous set up from the appliance (reset process) and carry out the setup again (see "Live-Remote Control/Setup procedure").

What can I do if the Connection State indicator continues to blink slowly and never lits solid on?

If the Connection State indicator doesn't lit up solidly, the refrigerator has been successfully connected to the router, but it is not able to connect the Internet. In order to get the appliance connected to the Internet, you have to check the router and/or the bearer settings.

Correct router settings: NAT must be on, Firewall and DHCP must be properly set. Password cryptography supported: WEP, WPA, WPA2. Please refer to router manual.

Bearer settings: if Your Internet service provider has established the numbers of MAC address able to connect to the Internet, you may not be able to connect refrigerator to the cloud. The MAC address is the unique identifier of device ,e.g the one of your computer. Please ask your Internet service provider about the procedures to connect a new device other then a computer (e.g a refrigerator) to the Internet.

Where do I find the MAC address of the refrigerator?

On your Smart Appliance:

- open fridge door
- on inner liner of door between bottom and middle balcony is sticker label with SAID & MAC address

The MAC address is made by combination of numbers and letters.

How to set up the wireless connection on your appliance?

See detailed IFU for detail, there are 2 alternative approach on each appliance:

1. use the WPS (WiFi Protected Setup) connection process.

2. If the appliance is not Provisioned, in the first 20 minutes from appliance switch on it is active a web page for configuration accessible through the network generated by the appliance (WP_ "MAC Address", example WP_88_E7_12_00_28_3C).

How to check if data is being transmitted?

After network setup power off , wait 20 sec and power on the appliance, verify that the App shows the UI status of the appliance. Set MaxIce or another option and verify on the

App the status (NOTE: temperature setting take several seconds before it is delivered to the App).

FOOD-STORAGE TIPS

FRIDGE COMPARTMENT

The refrigerator is the ideal storage location for ready meals, fresh and preserved food, dairy products, fruit and vegetables and beverage.

AIR VENTILATION

The natural circulation of air in the refrigerator compartment results in zones with different temperatures. It is coldest directly above the fruits and vegetables crisper and at the rear wall. It is warmest at the top front of the compartment.

Insufficient ventilation results in an increase in energy consumption and reduction of the refrigerating performance.

Do not cover air slots by food on other staff - they are optimized for proper air circulation and food preservation.

HOW TO STORE FRESH FOOD AND BEVERAGE

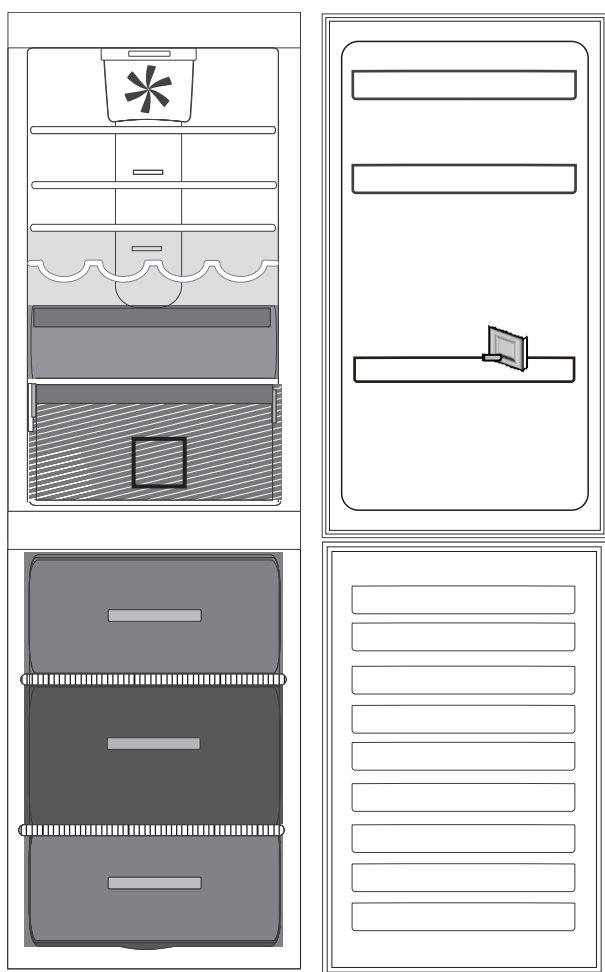
- › Use recyclable plastic, metal, aluminum and glass containers and cling film to wrap foods.
- › Always use closed containers for liquids and for food that may give off or be tainted by odor or flavor transfer or cover them.
- › Foods which give off a large amount ethylene gas and those that are sensitive to this gas, such as fruit, vegetables and salad, should always be separated or wrapped so as not to reduce the storage life; for example do not store tomatoes together with kiwi fruits or cabbage.

- › Do not store food too close together to enable sufficient air circulation.
 - › To avoid bottles falling over, you can use the bottle holder.
 - › If you have a little quantity of food to store in the refrigerator, we recommend to use the shelves above the crisper for fruits and vegetables since this is the coolest area of the compartment.
 - › Be aware to do not close air slots by the food.
-

WHERE TO STORE FRESH FOOD AND BEVERAGE

- › On the fridge shelves: ready meals, tropical fruits, cheeses, deli.
- › In the coldest area (the one above the fruits and vegetables crisper): meat, fish, cold cuts, cakes

- › In the fruits and vegetables crisper: fruits, salad, vegetables.
 - › In the door: butter, jams, sauces, pickles, cans, bottles, beverage cartons, eggs.
-

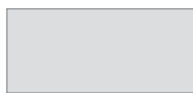


Legend



TEMPERATE ZONE

Suggested for the storage of tropical fruit, cans, drinks, eggs, sauces, pickles, butter, jam.



COOL ZONE

Suggested for storage of cheese, milk, daily food, delicatessen, yogurt.



COOLEST ZONE

Suggested for the storage of fish, meat, cold cuts. When Active 0° function is deactivated, this drawer can be used to store also other type of food, as well as winter fruit, dessert.



FRUIT & VEGETABLE DRAWER



FREEZING ZONE DRAWER

(MAX COOL ZONE) Suggested to freeze fresh/cooked food.



FREEZER DRAWERS

Note

The Grey tone of the legend doesn't match with the color of drawers

FREEZER COMPARTMENT

The freezer is the ideal storage location for store frozen food, make ice cubes and freeze fresh food in the freezer compartment.
The maximum number of kilograms of fresh food that

can be frozen within a 24-hour period is indicated on the rating plate (...kg/24h).

If you have a little quantity of food to store in the freezer, we recommend to use the coldest areas of your freezer compartment, corresponding to the middle area.

TIPS FOR FREEZING AND STORING FRESH FOOD

› We recommend to label and date all your frozen food. Adding a label will help you to identify foods and to know when they should be used before their quality deteriorates. Do not re-freeze defrosted food.

› Before freezing, wrap and seal fresh food in: aluminium foil, cling film, air and water-tight plastic bags, polythene containers with lids or freezer containers suitable for freezing fresh food.

› Food must be fresh, mature and of prime quality in order to obtain high quality frozen food.

› Fresh vegetables and fruit should preferably be frozen as soon as they are picked to maintain the full

original nutritional value, consistency, colour and flavor. Some meat, especially game, should be hung before it is frozen.

› Always leave hot food to cool before placing in the freezer.

› Eat fully or partially defrosted foods immediately. Do not refreeze unless the food is cooked after it has thawed. Once cooked, the thawed food can be refrozen.

› Do not freeze bottles with liquid.

› Please use fast cooling function to speed up cooling of freezing process (see Daily Reference Guide).

FROZEN FOOD: SHOPPING TIPS

When purchasing frozen food products:

› Ensure that the packaging is not damaged (frozen food in damaged packaging may have deteriorated). If the package is swollen or has damp patches, it may not have been stored under optimal conditions and defrosting may have already begun.

› When shopping, buy frozen foods at the end of your trip and transport them in a thermally insulated cool bag.

› Once at home, place the frozen foods immediately in the freezer.

› If food has defrosted even partially, do not re-freeze it. Consume within 24 hours.

› Avoid or reduce temperature variations to the minimum. Respect the best-before date on the package.

› Always observe the storage information on the package.

STORAGE TIME OF FROZEN FOOD

MEAT	<i>months</i>	STEWES	<i>months</i>	FRUITS	<i>months</i>
Beef	8 - 12	Meat, Poultry	2 - 3	Apples	12
Pork, veal	6 - 9	DAIRY PRODUCTS		Apricots	8
Lamb	6 - 8	Butter	6	Blackberries	8 - 12
Rabbit	4 - 6	Cheese	3	Blackcurrants / Redcurrants	8 - 12
Mince/Offal	2 - 3	Double Cream	1 - 2	Cherries	10
Sausages	1 - 2	Ice-cream	2 - 3	Peaches	10
POULTRY		Eggs	8	Pears	8 - 12
Chicken	5 - 7	SOUPS AND SAUCES		Plum	10
Turkey	6	Soup	2 - 3	Raspberries	8 - 12
Giblets	2 - 3	Meat Sauce	2 - 3	Strawberries	10
CRUSTACEANS		Pate	1	Rhubarb	10
Molluscs creab, lobster	1 - 2	Ratatouille	8	Fruit juices (orange, lemon, grapefruit)	4 - 6
Crab, lobster	1 - 2	PASTRY AND BREAD		VEGETABLES	
SHELLFISH		Bread	1 - 2	Asparagus	8 - 10
Oyster, Shucked	1 - 2	Cakes (plain)	4	Basil	6 - 8
FISH		Gateaux (cakes)	2 - 3	Beans	12
"fatty" (salmon, herring, meckerel)	2 - 3	Crepes	1 - 2	Artichokes	8 - 10
"lean" (code, sole)	3 - 4	Uncooked pastry	2 - 3	Broccoli	8 - 10
		Quiche	1 - 2	Brussels sprout	8 - 10
		Pizza	1 - 2	Cauliflower	8 - 10
				Carrots	10 - 12
				Celery	6 - 8
				Mushrooms	8
				Parlsey	6 - 8
				Peppers	10 - 12
				Peas	12
				Runner-beans	12
				Spinach	12
				Tomatoes	8 - 10
				Zucchini	8 - 10

RECOMMENDATION IN CASE OF NO USE OF THE APPLIANCE

ABSENCE / VACATION

In case longer absence its recommended to use up food and to disconnect the appliance to save energy.

MOVING

1. Take out all internal parts.

.....

2. Wrap them well, and fix them together with adhesive tape so that they do not bang together or get lost.

3. Screw the adjustable feet so that they do not touch the support surface.

.....

4. Close and fix door with adhesive tape and, again using adhesive tape, fix the power cable to the appliance.

POWER FAILURE

In the event of a power failure, call the local office of your electricity supply company and ask how long it is going to last.

Note: Bear in mind that a full appliance will stay cold longer than a partially filled one.

If ice crystals are still visible on the food, it may be frozen again, although flavour and aroma may be affected.

If food is found to be in a poor condition, it is best to throw it away.

For power failures lasting up to 24 hours.

Keep the door of the appliance closed. This will allow the stored food to stay cold as long as possible.

For power failures lasting more than 24 hours.

Empty the freezer compartment and arrange the food in a portable freezer. If this type of freezer is not available and, likewise, no artificial ice packs are available, try to use up the food, which is more easily perishable.

Empty the ice tray.

CLEANING AND MAINTENANCE

⚠ WARNING

Before any cleaning or maintenance operation, unplug the appliance from the mains or disconnect the electrical power supply.

Never use abrasives. Never clean refrigerator parts with flammable fluids.

⚠ WARNING

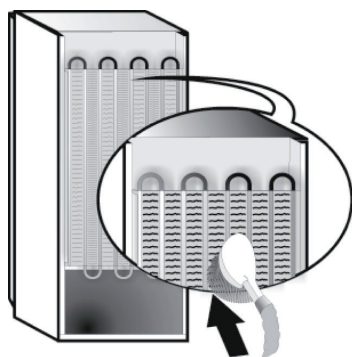
Do not use steam cleaners.

The buttons and control panel display must not be cleaned with alcohol or alcohol-derived substances, but with a dry cloth.

- › Periodically clean the appliance with a cloth and a solution of lukewarm water and neutral detergent specifically for refrigerator interiors.
- › Clean the outside of the appliance and the door seal with a damp cloth and dry with a soft cloth.
- › Condenser placed in the rear of the appliance should be cleaned regularly using a vacuum cleaner.

Important:

- › The buttons and control panel display must not be cleaned with alcohol or alcohol-derived substances, but with a dry cloth.
- › The refrigeration system pipes are located near the defrost pan and can become hot. Periodically clean them with a vacuum cleaner.



TROUBLESHOOTING GUIDE & AFTER-SALES SERVICE

BEFORE CONTACTING AFTER-SALES SERVICE...

Performance problems often result from little things you can find and fix yourself without tools of any kind.

FUNCTIONAL SOUNDS

Sounds coming from your appliances are normal since it has a number of fans and engines to regulate performances that switch on and off automatically.

SOME OF THE FUNCTIONAL SOUNDS CAN BE REDUCED THROUGH:

- › Leveling the appliance and installing it on an even surface.
- › Separating and avoiding contact between the appliance and furniture.

- › Checking if the internal components are correctly placed.
- › Checking if bottles and containers are not in contact with each other.

SOME OF THE FUNCTIONAL SOUNDS YOU MIGHT HEAR

A hissing sound when switching on the appliance for the first time or after a long pause.



A gurgling sound when refrigerant fluid enters into the pipes.



BRRR sound is from the compressor running.



Buzzing sound when water valve or fan start working.



A cracking sound when compressor starts.



The CLICK is from the thermostat which adjusts how often the compressor is running.



TROUBLESHOOTING GUIDE

Problem	Possible Cause	Solution
THE APPLIANCE IS NOT WORKING	There may be an appliance power supply problem.	<ul style="list-style-type: none"> › Check if power cable plugged into a live socket with the proper voltage. › Check if the protection devices and fuses of the electrical system in your home
THERE IS WATER IN THE DEFROST PAN	This is normal in hot, damp weather. The pan can even be half full.	<ul style="list-style-type: none"> › Make sure the appliance is level so that the water does not overflow.
THE EDGES OF THE APPLIANCE CABINET, WHICH COME IN CONTACT WITH THE DOOR SEAL, ARE WARM TO THE TOUCH	This is not a defect. This is normal in hot weather and when the compressor is running.	
THE LIGHT DOES NOT WORK	The light may need replacing. The appliance may be in On/Stand-by model	<ul style="list-style-type: none"> › Make sure if the protection devices and fuses of the electrical system in your home work well. › Check if the power cable is plugged into a live socket with the proper voltage › In case the LEDs are broken the user must call the Service for exchange of the same type available only at our After-sales Service Centers or authorized dealers.
THE MOTOR SEEMS TO RUN TOO MUCH	Motor running time depends on different things: number of door openings, amount of food stored, temperature of the room, setting of the temperature controls.	<ul style="list-style-type: none"> › Make sure that the appliance controls are correctly set. › Check if there is not a large amount of food been added to the appliance. › Check that the door is not opened too often. › Check that the door close properly.

THE APPLIANCE TEMPERATURE IS TOO HIGH

There could be various causes (see "Solutions")

- › Make sure that the condenser (back the appliance) is free of dust and fluff.
- › Make sure that the door properly closed.
- › Make sure that the door seals properly fitted.
- › On hot days or if the room is warm, the motor naturally runs longer.
- › If the appliance door has been left open for a while or if large amounts of food have been stored, the motor will run longer in order to cool down the interior of the appliance.

THE DOORS DO NOT OPEN AND CLOSE PROPERLY

There could be various causes (see "Solutions")

- › Check that food packages are not blocking the door.
 - › Check that the internal parts or automatic ice maker are not out of position.
 - › Check that the door seals are not dirty or sticky.
 - › Ensure the appliance is level.
-

AFTER-SALES SERVICE

BEFORE CALLING THE AFTER-SALES SERVICE

1. See if you can solve the problem by yourself with the help of the suggestions given in the **TROUBLESHOOTING GUIDE.**

2. Switch the appliance off and back on again to see if the fault persists

IF AFTER THE ABOVE CHECKS THE FAULT STILL OCCURS, GET IN TOUCH WITH THE NEAREST AFTER-SALES SERVICE

To receive assistance, call the number shown on the warranty booklet or follow the instructions on the website **www.whirlpool.eu**

Always specify:

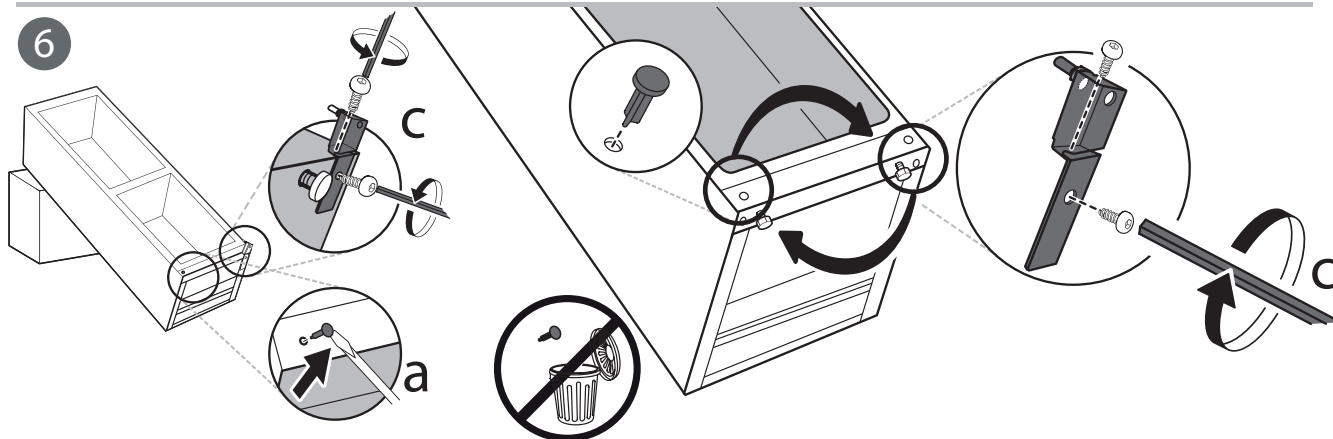
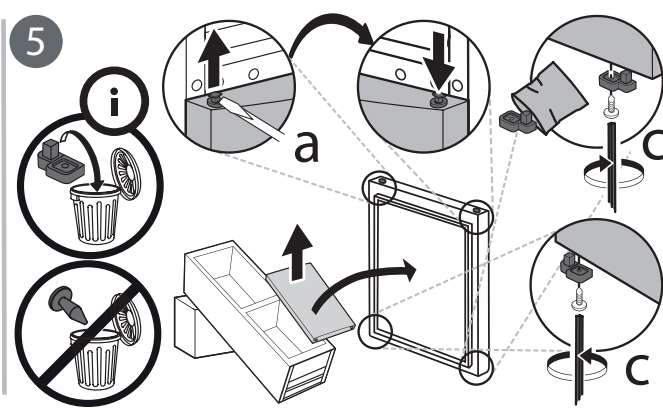
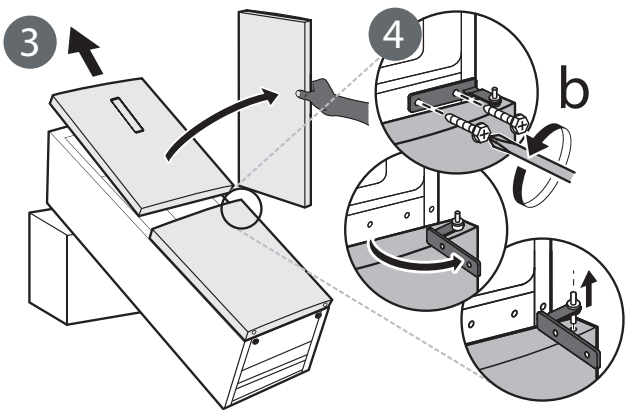
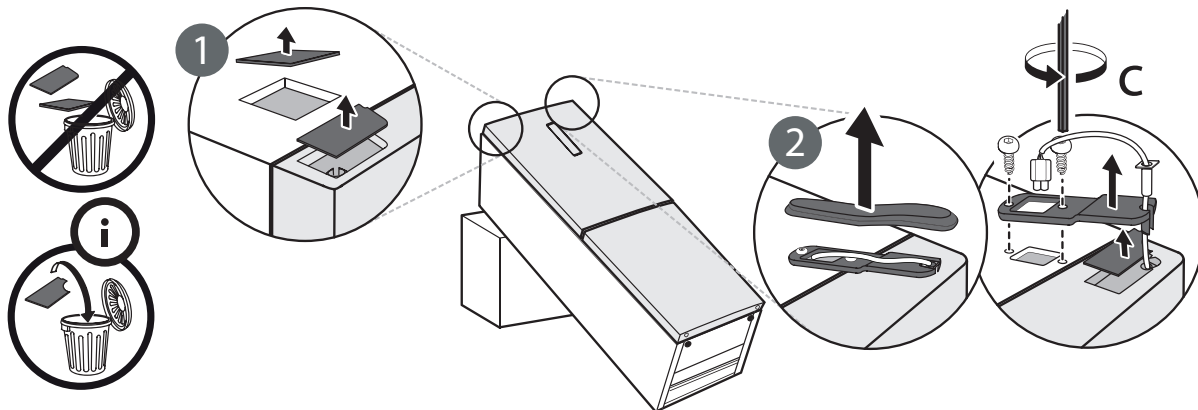
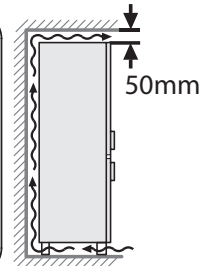
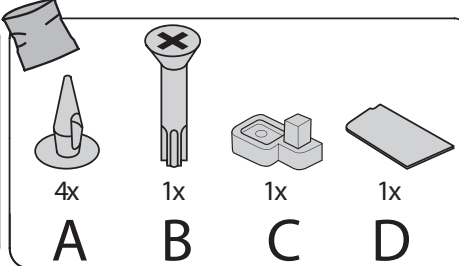
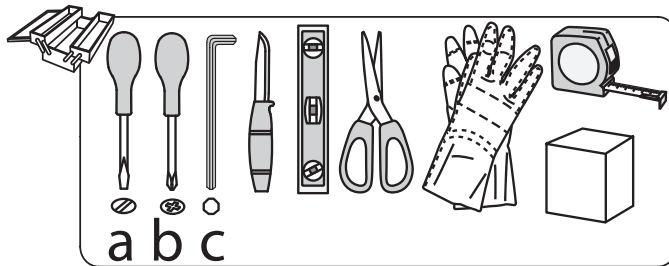
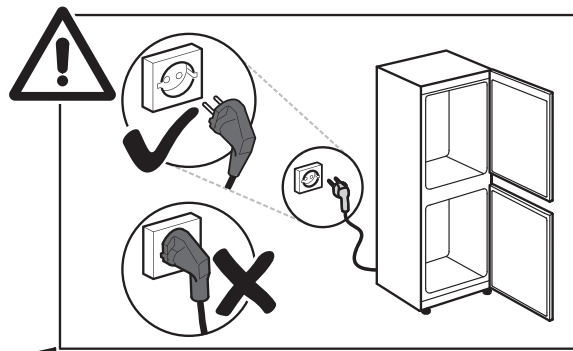
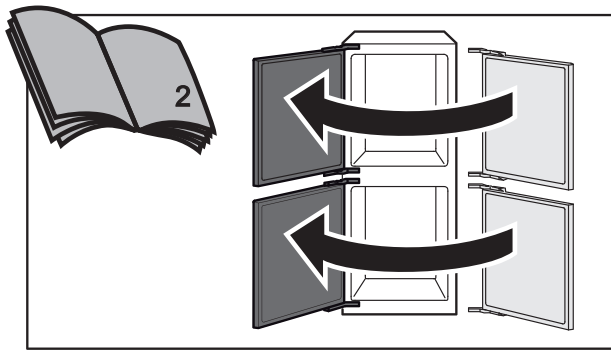
- a brief description of the fault;
- the type and exact model of the appliance;
- the service number (number after the word Service on the rating plate). The service number is also indicated on the guarantee booklet;
- your full address;
- your telephone number.

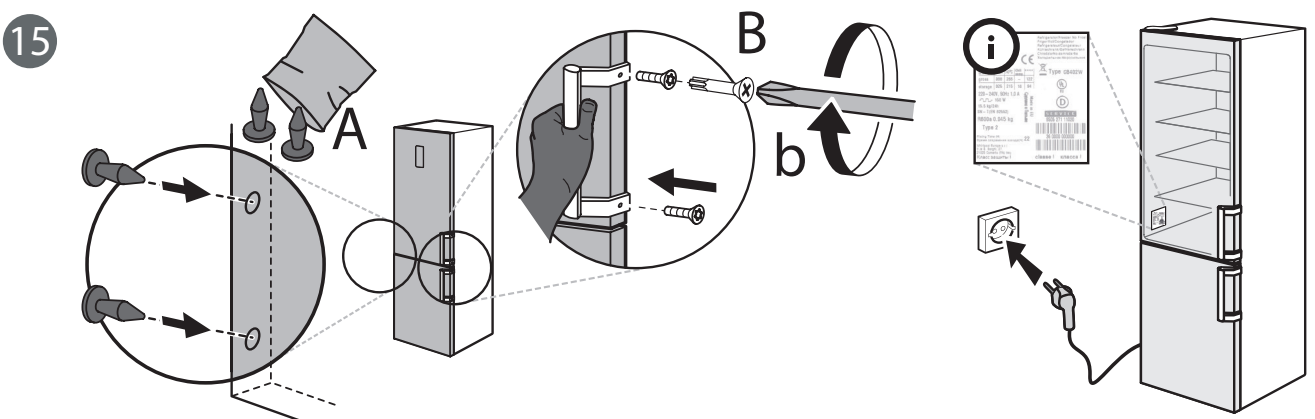
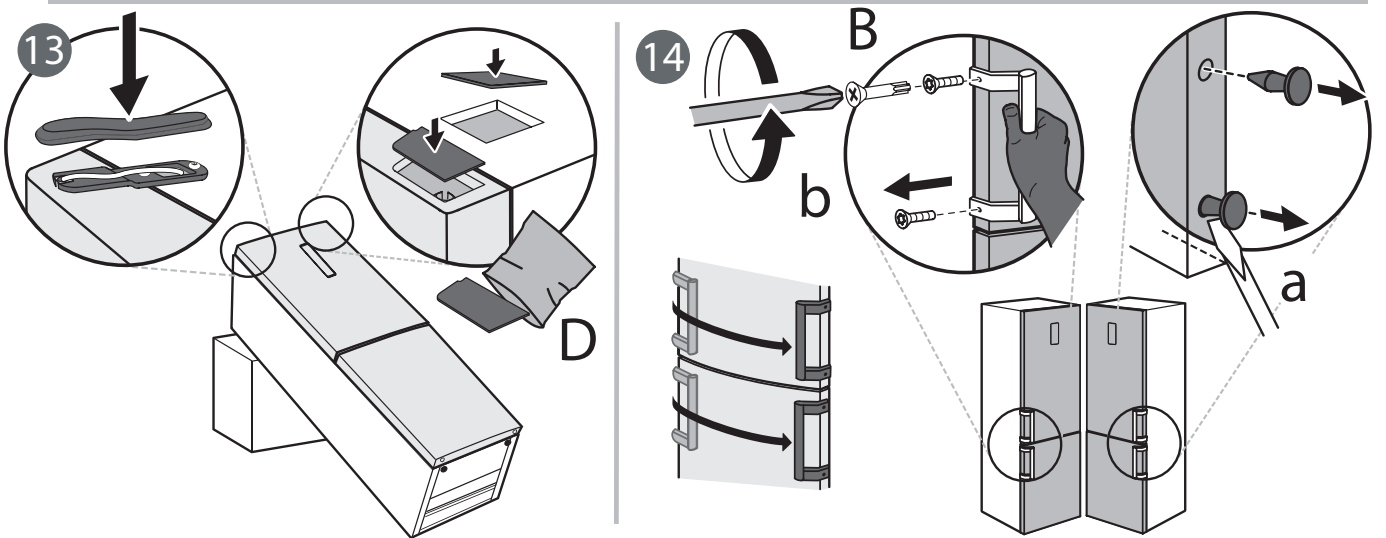
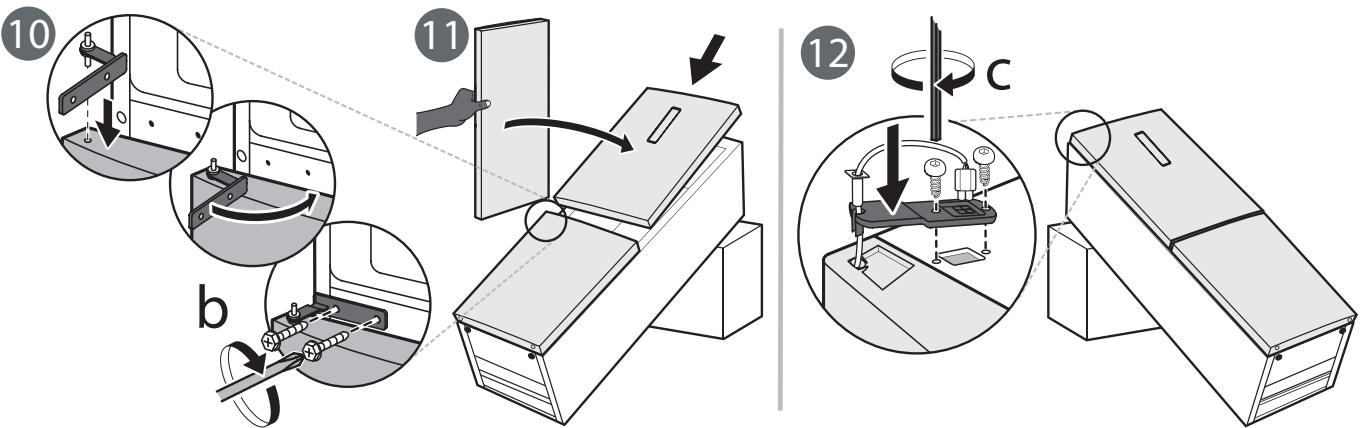
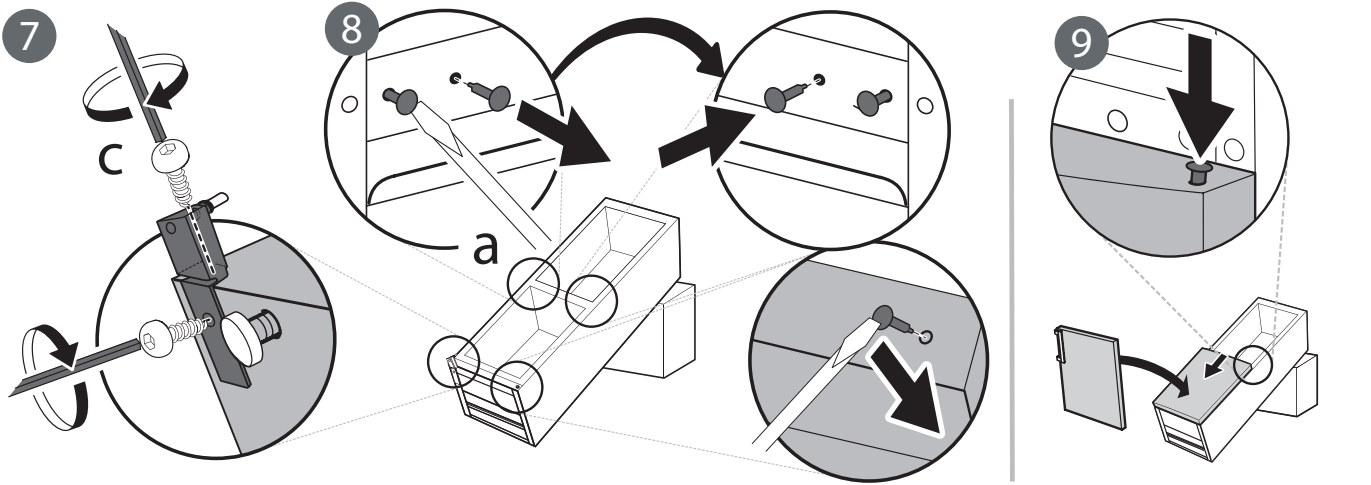
SERVICE 0000 000 00000

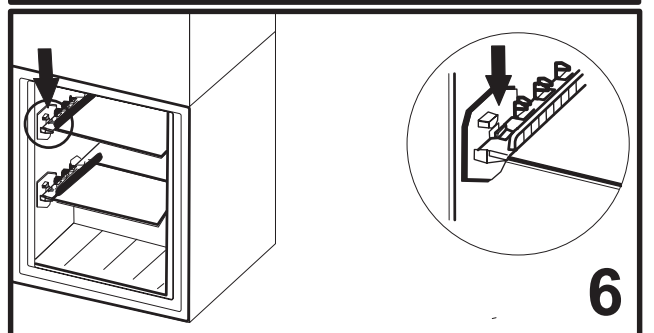
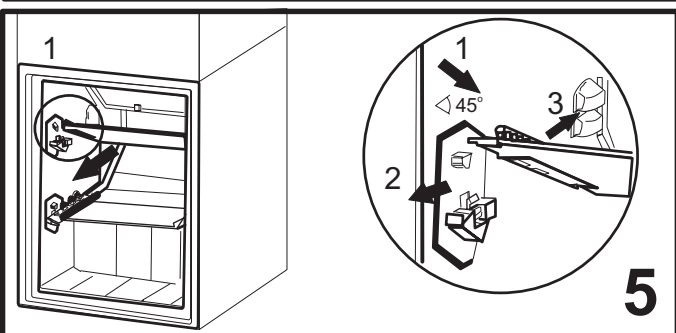
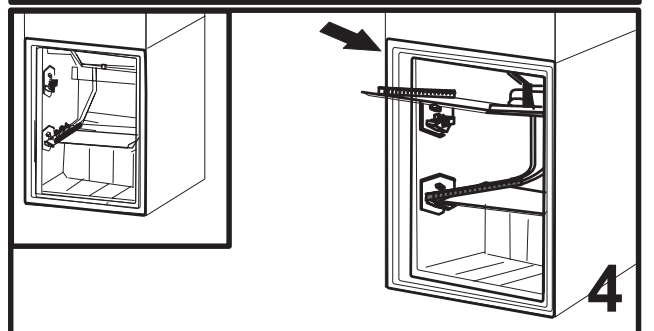
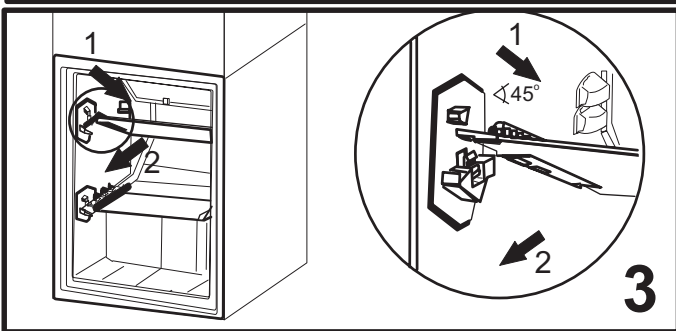
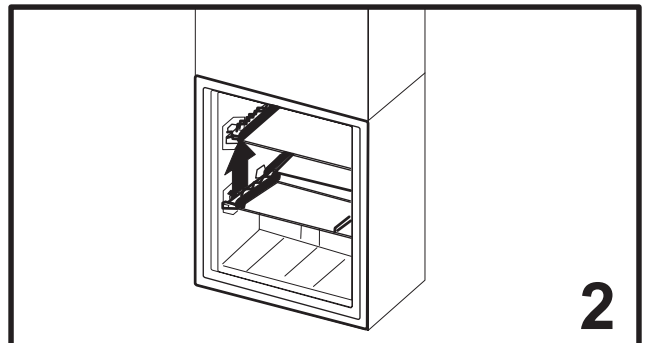
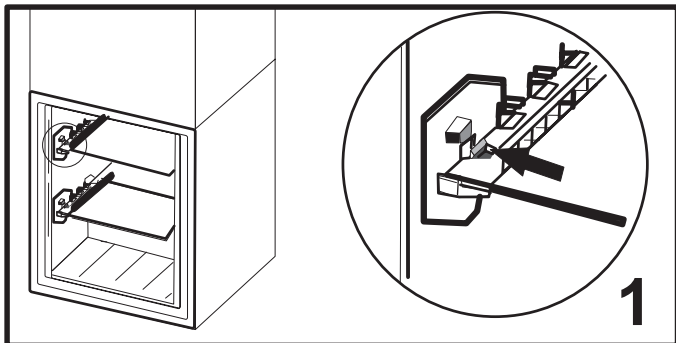
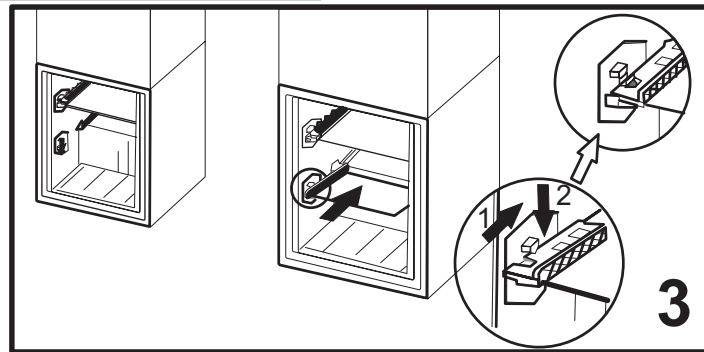
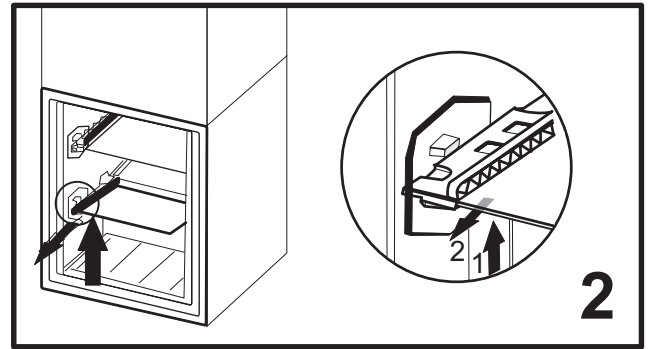
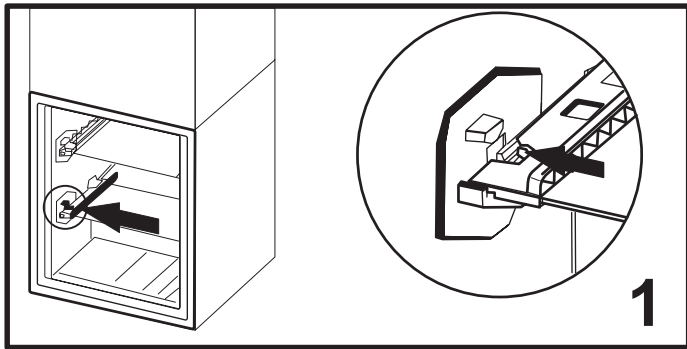


If any repairs are required, please contact an authorised after-sales service (to guarantee that original spare parts will be used and repairs carried out correctly).

Manufacturer:
Whirlpool Europe s.r.l. - Socio Unico
Viale Guido Borghi 27
21025 Comerio (VA)
Italy









400010879091

Whirlpool® is a registered trademark of Whirlpool, USA

