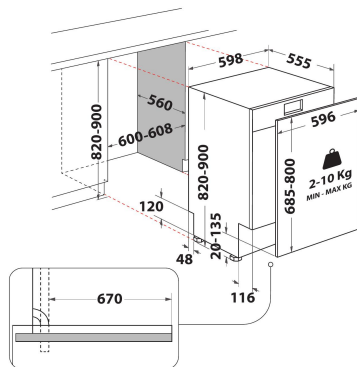


# HA4IFA14BS

12NC: 869991737320

GTIN (EAN) code: 8050147737323

Hotpoint



## MAIN FEATURES

Construction type	Built-in
Installation type	Full-integrated
Type of control	Electronic
Type of control settings	-
Removable work top	N/A
Main colour of product	Сребрист
Electrical connection rating (W)	1900
Current (A)	10
Voltage (V)	220-240
Frequency (Hz)	50
Length of electrical supply cord (cm)	130
Plug type	Schuko
Length inlet hose (cm)	155
Length outlet hose (cm)	150
Adjustable feet	Yes - all from front
Height of the product	820
Width of the product	598
Depth of the product	555
Minimum niche height	820
Maximum niche height	900
Minimum niche width	600
Maximum niche width	600
Niche depth	560
Net weight (kg)	35.5
Gross weight (kg)	37.5

## TECHNICAL FEATURES

Automatic programmes	No
Maximum temperature for water intake (°C)	60
Start delay options	Continuous
Start delay time max. (h)	12
Progress indicator	-
Digital countdown indicator	No
Salt light indicator	Yes
Rinse aid light indicator	Yes
Safety device	Yes
Adjustable upper basket	Yes
Largest loadable dish upper basket (cm)	0
Largest loadable dish lower basket (cm)	0
Максимален брой места (EC 2017/1369)	14
Column installation	No

## ENERGY LABEL

Energy Efficiency Class (Regulation (EU) 2017/1369)	A
Energy Consumption for 100 cycles Eco Programme (EU 2017/1369)	54
Консумация на енергия в режим на готовност (Psm) (EC 2017/1369)	0,50
Power consumption in off-mode (Po) (EU 2017/1369)	0,00
Консумацията на вода на екологичната програма в литри на цикъл (EC 2017/1369)	9,5

# HA4IFA14BS

12NC: 869991737320

GTIN (EAN) code: 8050147737323

Hotpoint

## ENERGY LABEL

Airborne acoustical noise emissions (EU 2017/1369)	43
Airborne acoustical noise emission class (EU 2017/1369)	B
Продължителност на програмата (EC 2017/1369)	4:50