

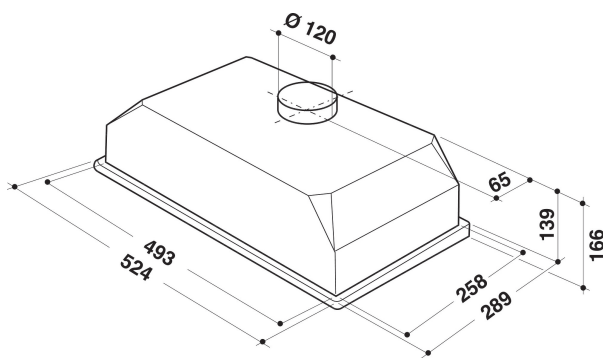
# WSLESS 66 AS GR

12NC: 857860610020

GTIN (EAN) code: 8003437206740

**Whirlpool**

SENSING THE DIFFERENCE



## MAIN FEATURES

Product group	абсорбатори
Colour body	Grey
Material body	Metal
Colour chimney	N/A
Material chimney	N/A
Typology	Built-in/Built-under
Installation type	Built-in
Type of control	Mechanical
Type of control settings	-
Decor panel options	N/A
Motor location	Integrated motor in hood body
Operating Mode	Convertible
Electrical connection rating (W)	286
Current (A)	1,2
Voltage (V)	220-240
Frequency (Hz)	50/60
Length of Electrical Supply Cord (cm)	150
Plug type	Europlug
Chimney height (mm)	0-0
Height of product, without chimney (mm)	166
Height of the product	166
Width of the product	524
Depth of the product	289
Minimum niche height	0
Minimum niche width	0
Niche depth	0
Net weight (kg)	6

## TECHNICAL FEATURES

Type of manual control devices	Slider
Type of automatic control devices	-
Number of motors	2
Total power of the motors (W)	230
Number of speed settings: boost option availability	3
Boost presence	No
Maximum output air extraction (m <sup>3</sup> /h)	336
Boost position air extraction (m <sup>3</sup> /h)	0
Maximum output recirculating air (m <sup>3</sup> /h)	185
Boost position output recirculating (m <sup>3</sup> /h)	0
Light Control Type	Steps
Number of lights	2
Type of lamps used	Halogen
Total power of the lamps (W)	56
Diameter of air outlet (mm)	120
No-return airflow flap	No
Grease filter material	Washable aluminium
Odour filter	Yes

## ENERGY LABEL

Sound power at min. speed (2010/30/EU)	53
Sound power at max. speed (2010/30/EU)	68
Noise level with boost position (dB(A) re 1 pW)	0