

AKM 330

PRODUCT DESCRIPTION SHEET

PL

CZ

SK

HU

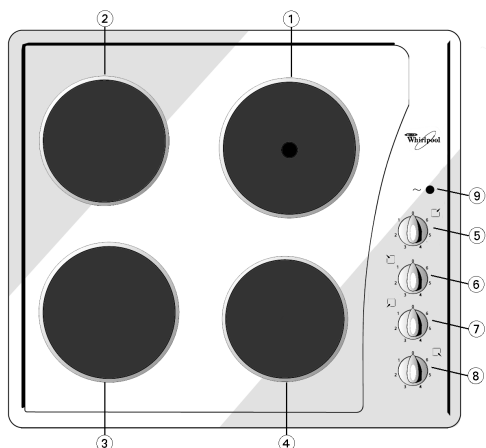
BU






RO

RU

FR

ع



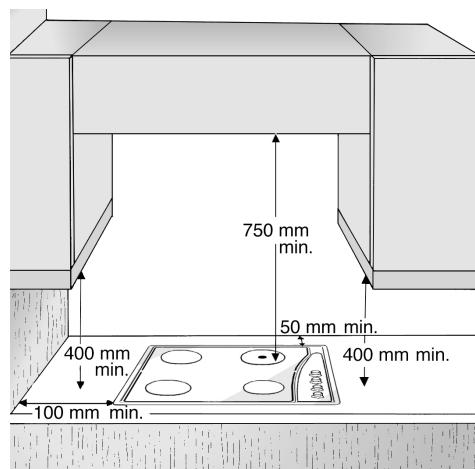
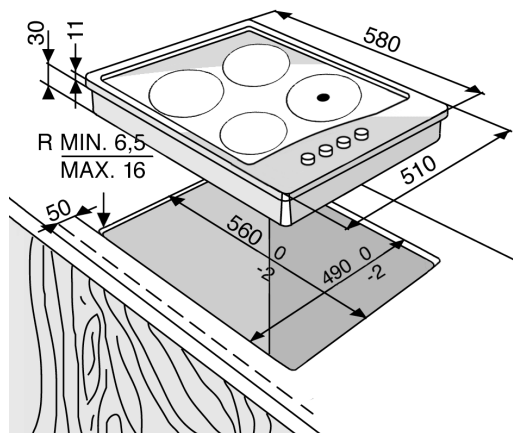
1. Rapid hotplate Ø 180 - 2000 W
2. Normal hotplate Ø 145 - 1000 W
3. Normal hotplate Ø 180 - 1500 W
4. Normal hotplate Ø 145 - 1000 W
5. Rapid hotplate control knob Ø 180 
6. Normal hotplate control knob Ø 145 
7. Normal hotplate control knob Ø 180 
8. Normal hotplate control knob Ø 145 
9. Hotplate operation control lamp 

Operation of electric hotplates

- Set the knob to one of position 1-6, which correspond to different temperatures.
- To switch off the hotplate, set the knob to position "0".

5019 319 60001/A

DIMENSIONS OF COOKTOP AND WORKTOP



NOTE: In case of installation of a hood above the cooktop, please refer to the hood instructions for the correct distance.

SUPPLY VOLTAGE	CONDUCTORS: NUMBER AND SIZE	ELECTRICAL CONNECTION												
230 V ~ +	3 x 2.5 mm ²	<table style="border: none; text-align: center;"> <tr> <td>1</td> <td>2</td> <td>3</td> <td></td> </tr> <tr> <td>○</td> <td>○</td> <td>○</td> <td>○</td> </tr> <tr> <td>L</td> <td></td> <td>N</td> <td></td> </tr> </table>	1	2	3		○	○	○	○	L		N	
1	2	3												
○	○	○	○											
L		N												
230 V 3 ~ +	4 x 1.5 mm ²	<table style="border: none; text-align: center;"> <tr> <td>1</td> <td>2</td> <td>3</td> <td></td> </tr> <tr> <td>○</td> <td>○</td> <td>○</td> <td>○</td> </tr> <tr> <td>L1</td> <td>L2</td> <td>L3</td> <td></td> </tr> </table>	1	2	3		○	○	○	○	L1	L2	L3	
1	2	3												
○	○	○	○											
L1	L2	L3												
400 V 2N ~ +	4 x 1.5 mm ²	<table style="border: none; text-align: center;"> <tr> <td>1</td> <td>2</td> <td>3</td> <td></td> </tr> <tr> <td>○</td> <td>○</td> <td>○</td> <td>○</td> </tr> <tr> <td>L1</td> <td>L2</td> <td>N</td> <td></td> </tr> </table>	1	2	3		○	○	○	○	L1	L2	N	
1	2	3												
○	○	○	○											
L1	L2	N												